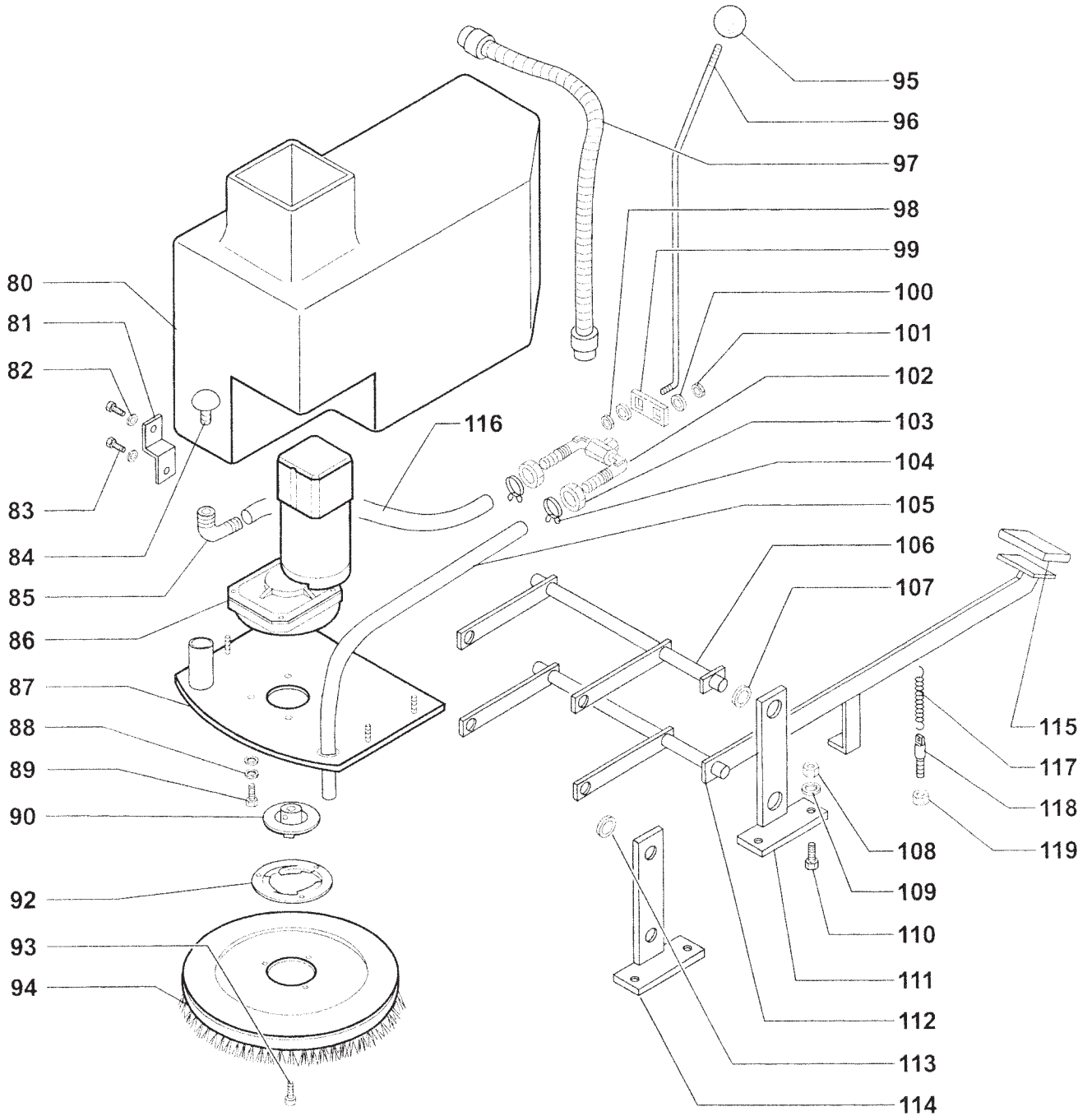


ref#	order	description	each	ref#	order	description	each
1	<b>PAS275</b>	cover	<b>141.60</b>	18	<b>PAS339</b>	articulation	<b>26.60</b>
2	<b>PAS104B</b>	funnel	<b>42.44</b>	19	<b>PAS338</b>	handle	<b>14.43</b>
3	<b>PAS185</b>	chest	<b>403.44</b>	20	<b>PAS335</b>	bellows	<b>2.40</b>
4	<b>PAS800</b>	frame	<b>415.42</b>	21	<b>PAS114</b>	screw	<b>.27</b>
5	<b>PAS100</b>	stop strip	<b>13.29</b>	22	<b>PAS167</b>	screw	<b>.71</b>
6	<b>PAS2BA</b>	splash guard	<b>48.71</b>	23	<b>PAS183</b>	support	<b>36.49</b>
7	<b>PAS465</b>	yoke	<b>19.09</b>	24	<b>PAS1002</b>	microswitch	<b>23.69</b>
8	<b>PAS167</b>	screw	<b>.71</b>	26	<b>PAS158</b>	lever	<b>56.58</b>
9	<b>PAS157</b>	washer	<b>.18</b>	27	<b>PAS18</b>	spring	<b>5.09</b>
11	<b>PAS1</b>	buffer wheel	<b>8.47</b>	28	<b>PAS147</b>	screw	<b>.27</b>
12	<b>PAS152</b>	control panel	<b>32.82</b>	31	<b>PAS166</b>	brake lever	<b>14.00</b>
13	<b>PAS153</b>	screw	<b>1.42</b>	33	<b>PAS122</b>	hook	<b>16.28</b>
14	<b>PAS109</b>	hinge	<b>25.18</b>	34	<b>PAS167</b>	screw	<b>.71</b>
15	<b>PAS336</b>	handle	<b>28.72</b>	36	<b>PAS147</b>	screw	<b>.27</b>
17	<b>PAS337</b>	knob	<b>6.36</b>	82	<b>PAS146</b>	washer	<b>.22</b>

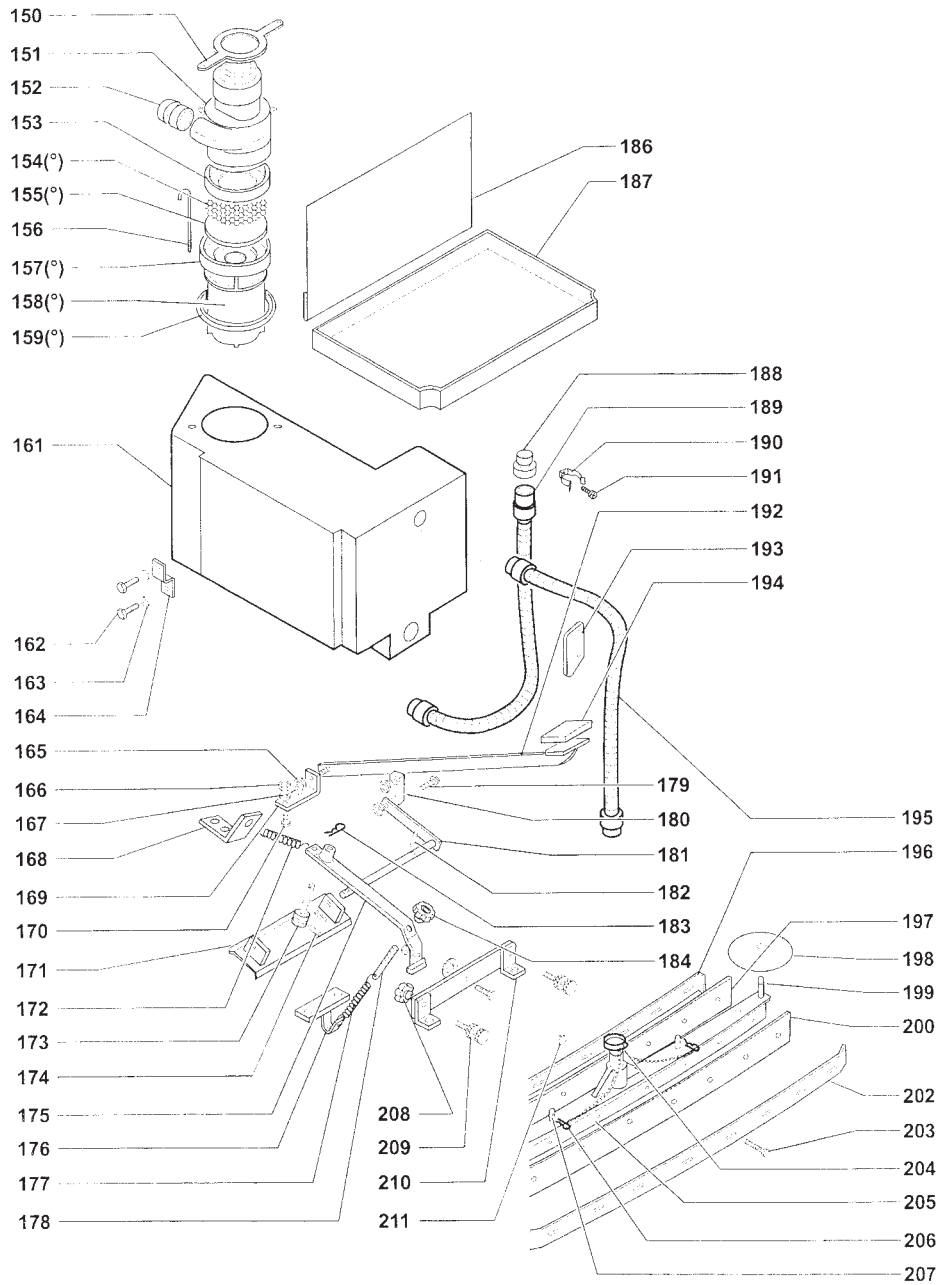




ref#	order	description	each
83	<b>PAS147</b>	screw	.27
84	<b>PAS3</b>	filter	7.22
85	<b>PAS296</b>	hose fitting	6.65
86	<b>PAS4</b>	motor reducer	856.27
87	<b>PAS241</b>	plate	58.58
89	<b>PAS111</b>	screw	1.71
90	<b>PAS24</b>	joint	58.84
92	<b>PAS23</b>	flange	28.36
93	<b>PAS111</b>	screw	1.71
94	<b>PAS8BA</b>	poly brush	78.54
94	<b>PAS9BA</b>	heavy grit brush	230.52
94	<b>PAS132BA</b>	Rip Grit brush	230.52

ref#	order	description	each
94	<b>PAS95BA</b>	lite grit brush	191.70
94	<b>PAS10BA</b>	pad holder	74.46
95	<b>PAS11</b>	knob	2.56
96	<b>PAS151</b>	rod	8.36
97	<b>PAS37</b>	pipe	9.62
98	<b>PAS268</b>	split pin	.71
99	<b>PAS269</b>	lever	5.51
100	<b>PAS270</b>	washer	.56
102	<b>PAS12</b>	cocking lever	35.67
103	<b>PAS262</b>	nut	2.69
104	<b>PX42</b>	hose collar	1.08
105	<b>PAS288</b>	pipe	3.59

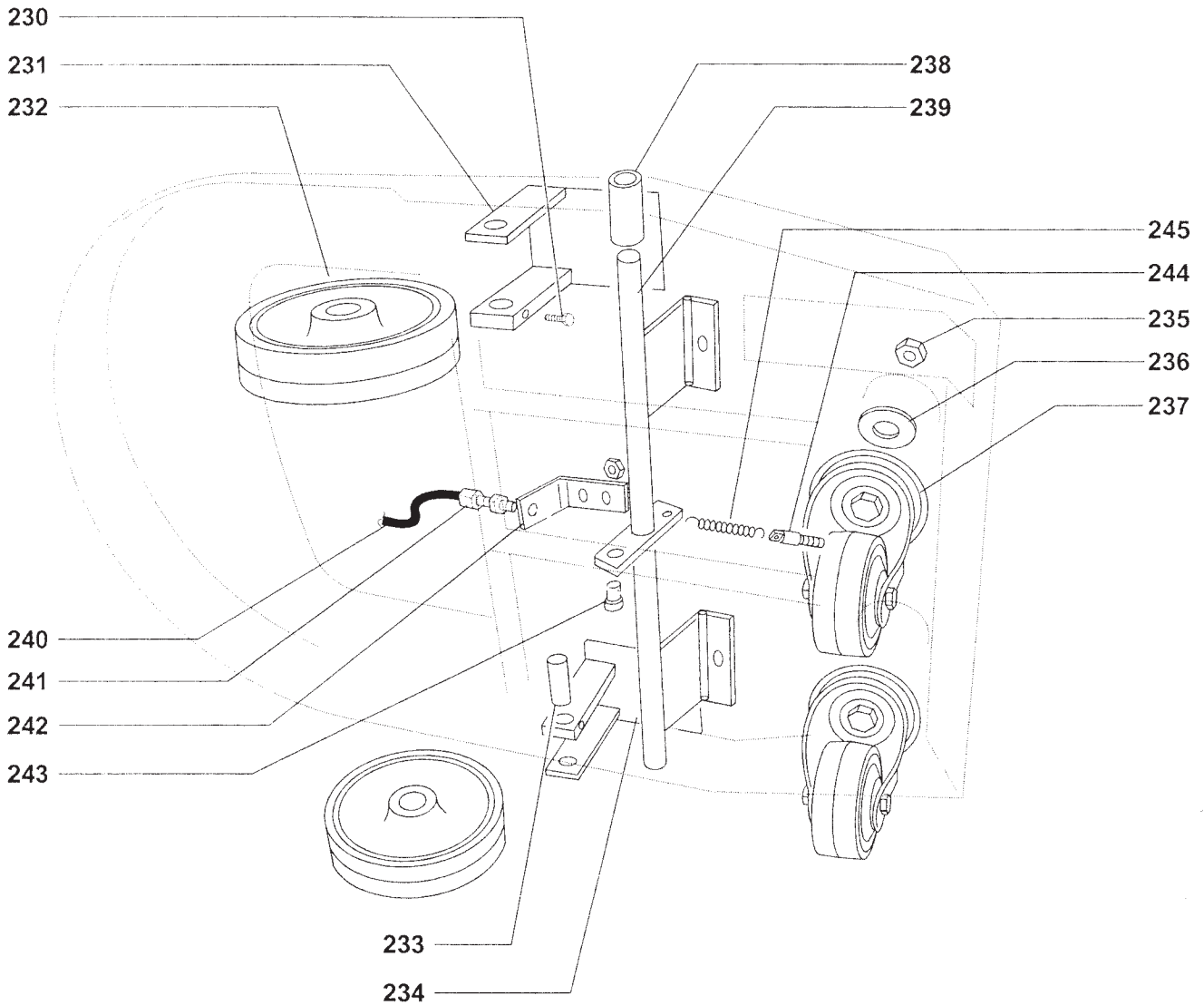
# Automatic Scrubbers Parts for PAS20BA



ref#	order	description	each
106	<b>PAS204</b>	lever	<b>28.72</b>
108	<b>PAS254</b>	nut	<b>.56</b>
109	<b>PAS188</b>	washer	<b>.22</b>
110	<b>PAS167</b>	screw	<b>.71</b>
111	<b>PAS248</b>	support	<b>35.80</b>
112	<b>PAS203</b>	lever	<b>77.96</b>
114	<b>PAS249</b>	support	<b>35.80</b>
115	<b>PAS14</b>	pedal cover	<b>7.22</b>
117	<b>PAS230</b>	spring	<b>5.09</b>
119	<b>PAS176</b>	nut	<b>.71</b>
150	<b>PAS15</b>	lock ring motor	<b>4.25</b>
151	<b>1924</b>	suction motor	<b>167.19</b>
152	<b>PAS330</b>	sleeve	<b>4.67</b>
153	<b>PAS102</b>	seal	<b>7.20</b>
154	<b>PAS79</b>	net	<b>3.40</b>
154A	<b>PAS17</b>	float assembly (includes 154, 155, 157, 158, 159)	<b>32.53</b>
155	<b>PAS107</b>	sponge	<b>2.54</b>
159	<b>PAS103</b>	seal	<b>5.00</b>

ref#	order	description	each
161	<b>PAS400</b>	tank	<b>205.03</b>
162	<b>PAS147</b>	screw	<b>.27</b>
163	<b>PAS208</b>	washer	<b>.20</b>
166	<b>PAS189</b>	nut	<b>1.13</b>
167	<b>PAS188</b>	washer	<b>.22</b>
169	<b>PAS234</b>	square	<b>3.53</b>
170	<b>PAS167</b>	screw	<b>.71</b>
171	<b>PAS500</b>	yoke	<b>19.67</b>
172	<b>PAS18</b>	spring	<b>5.09</b>
173	<b>PAS19</b>	pin	<b>8.24</b>
175	<b>PAS184</b>	lever	<b>21.37</b>
176	<b>PAS228</b>	square	<b>1.98</b>
177	<b>PAS18</b>	spring	<b>5.09</b>
178	<b>PAS32</b>	tie rod	<b>2.69</b>
179	<b>PAS197</b>	screw	<b>.51</b>
180	<b>PAS265</b>	cross member	<b>6.36</b>
181	<b>PAS459</b>	lever	<b>21.65</b>
182	<b>PAS280</b>	elastic pin	<b>.19</b>
183	<b>PAS266</b>	split pin	<b>1.00</b>





ref#	order	description	each	ref#	order	description	each
184	<b>PAS35</b>	knob	<b>4.24</b>	203	<b>PAS197</b>	screw	<b>.51</b>
186	<b>PAS105</b>	cross member	<b>39.06</b>	204	<b>PAS191</b>	hose collars	<b>2.27</b>
187	<b>PAS381</b>	vat	<b>62.98</b>	205	<b>PAS194</b>	squeegee body	<b>16.82</b>
188	<b>PAS36</b>	plug	<b>5.09</b>	206	<b>PAS266</b>	split pin	<b>1.00</b>
189	<b>PAS37</b>	pipe	<b>9.62</b>	208	<b>PAS33</b>	knob	<b>4.24</b>
190	<b>PAS38</b>	pipe strap	<b>5.07</b>	209	<b>PAS34</b>	regulator	<b>10.19</b>
191	<b>PAS324</b>	screw	<b>.71</b>	210	<b>PAS404</b>	support	<b>24.62</b>
192	<b>PAS106</b>	pedal	<b>28.36</b>	211	<b>PAS149</b>	nut	<b>1.69</b>
193	<b>PAS259</b>	plate	<b>9.62</b>	230	<b>PAS243</b>	screw	<b>1.42</b>
194	<b>PAS14</b>	pedal cover	<b>7.22</b>	232	<b>PAS1003</b>	wheel	<b>23.69</b>
195	<b>PAS37</b>	pipe	<b>9.62</b>	235	<b>PAS207</b>	nut	<b>.85</b>
196	<b>PAS192</b>	front strip	<b>12.87</b>	237	<b>PAS51A</b>	swivel castor	<b>39.07</b>
197	<b>PAS142</b>	rubber	<b>10.33</b>	240	<b>PAS171</b>	sheating	<b>6.22</b>
198	<b>PAS1</b>	buffer wheel	<b>8.47</b>	241	<b>PAS170</b>	regulator	<b>1.56</b>
199	<b>PAS193</b>	pin	<b>4.53</b>	243	<b>PAS173</b>	clamp	<b>2.40</b>
200	<b>PAS116</b>	crepe rubber	<b>16.11</b>	244	<b>PAS63</b>	pin	<b>2.69</b>
202	<b>PAS196</b>	back strip	<b>12.17</b>	245	<b>PAS172</b>	spring	<b>5.52</b>