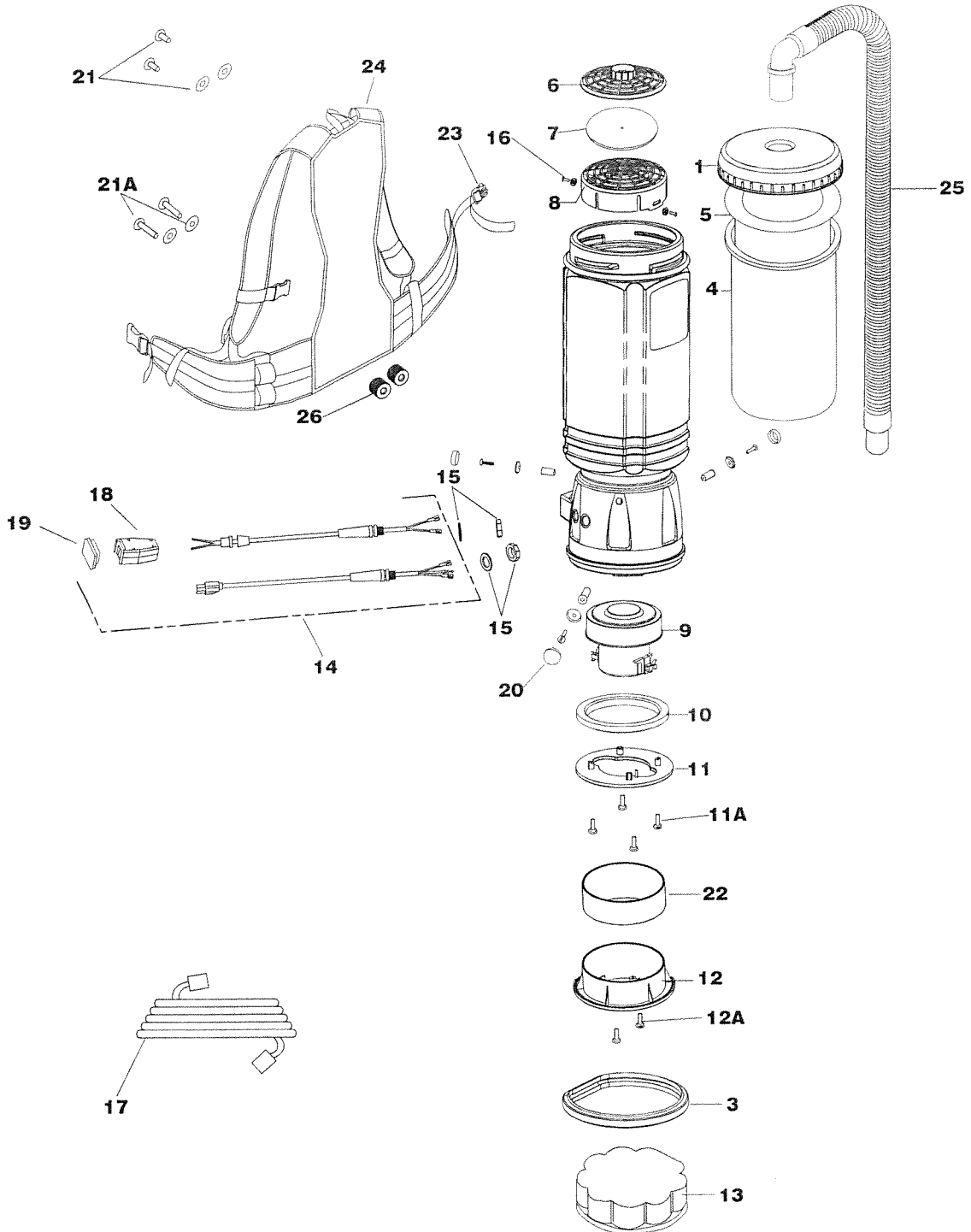


VACPAC

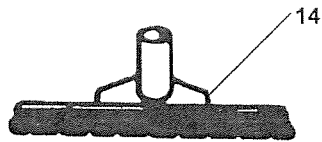
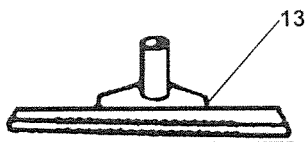
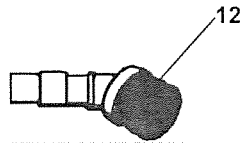
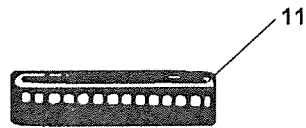
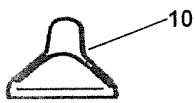
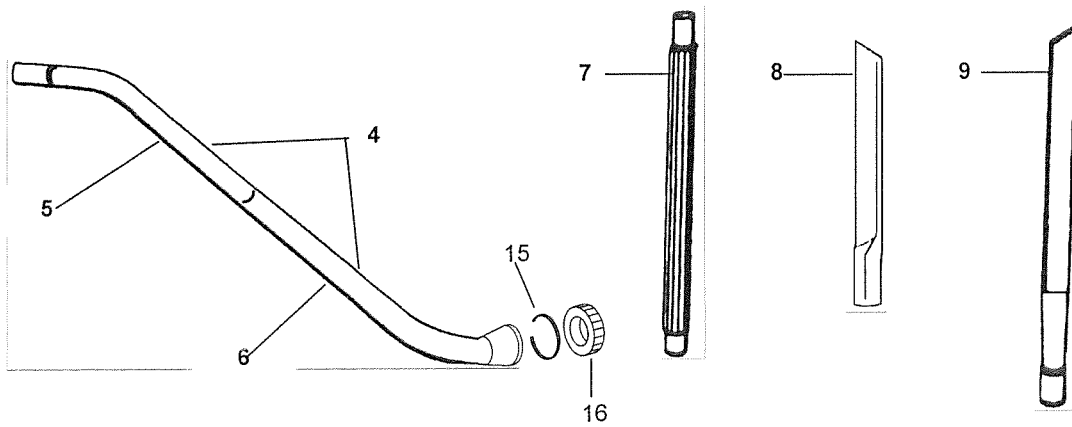
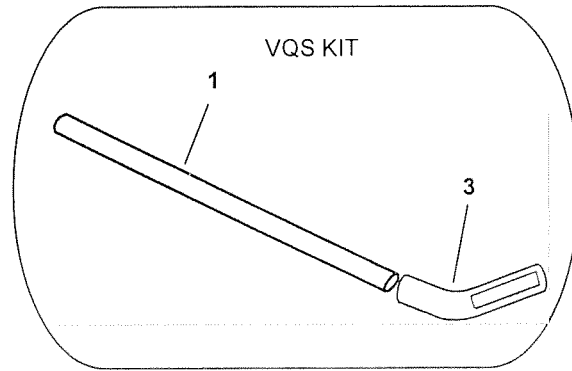
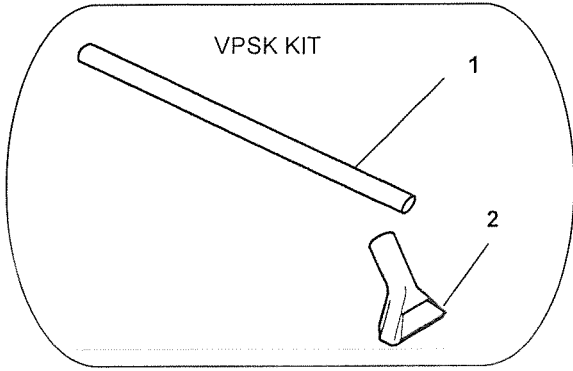


VACPAC

REF	PART NO	PART NO.	QTY	DESCRIPTION	SERIAL NO. FROM	NOTES:
1	86198740	68000BLK	1	CAP, BLACK		
2	OPEN	-	-	-		
3	86198730	68003	1	BUMPER		
4	86198840	68004	1	FILTER BAG, MICRO-TEX (CLOTH) LG		
5	86198850	68005	1	FILTER BAG, MICRO (PAPER) LG 10/PKG		
6	86198860	68006	1	COVER, FILTER HOUSING		
7	86198870	68007	1	FILTER, DOME		
8	86198880	68008	1	HOUSING, FILTER		
9	86199000	68009	1	MOTOR, VACUUM 115V		
10	86199010	68010	1	SEAL, MOTOR		
11	86199050	68011	1	RING, MTR COMP W/ SCRS		
11A	86199070	68076	1	SCR, MTR COMP RING (4/PKG)		
12	86198790	68012	1	DIFFUSER, AIR W/ SCREWS		
12A	86199080	68077	1	SCR, AIR DIFFUSER (2/PKG)		
13	86198890	68013	1	FILTER, AIR/SOUND DIFFUSER		
14	86198950	47391	1	KIT, VP SWCH/PWR CORD, W/O BOX		
15	86199020	68015	2	NUT, STRAIN RELIEF W/ WASHER		
16	86198830	68082	2	FASTENER SET, FILTER HOUSING		
17	86198750	68017	1	CORD ASM, 50' EXTENSION		
18	86225100	72177	1	SWITCH BOX W/ SCREWS		
19	86199120	68019	1	SWITCH		
20	86198800	68020	3	FASTENER SET, MOTOR MOUNT		
21	86198810	68030	1	FASTENER SET, BACK PLATE (TOP)		
21A	86198820	68081	1	FASTENER SET, BACK PLATE (BTM)		
22	86198930	68092	1	FOAM, DIFFUSER		
23	86198990	68054	1	LATCH, WAIST BELT		
24	86312540	-	1	HARNESS ASSY, VP6/VP10		
25	86198770	68066	1	HOSE ASSEMBLY		
26	86199090	68083	2	SPACER, BACK PLATE		

25/ 8.619-994.0 - Hose Assembly

ACCESSORY TOOLS AND KITS



ACCESSORY TOOLS AND KITS

REF	PART NO.	PRV NO.	QTY	DESCRIPTION	SERIAL NO. FROM	NOTES:
1	86090220	89079	1	WAND, SPOTTER		VPSK, VQS
2	86063120	78263	1	TOOL, SPOT LITE		VPSK
3	86033020	78277	1	TOOL, QUICK SWEEP		VQS
4	86286660	02443	1	WAND, DOUBLE CURVE 2 PC. ALUM.		INCL 5, 6, 15 & 16
5	86199140	68062	1	WAND, UPPER		
6	86199150	68078	1	WAND, LOWER		INCL 15 & 16
7	86000090	02086	1	TUBE, 20" EXTENSION		
8	86198760	68068	1	TOOL, 16" CREVICE		
9	86284510	02293	1	TOOL, 28" PLASTIC CREVICE		
10	86000080	02084	1	TOOL, 5" UPHOLSTERY		
11	86283600	02085	1	BRUSH, UPHOLSTERY		
12	86000070	02083	1	BRUSH, 3" DUST		
13	86284450	02004	1	TOOL, CARPET		
14	86284440	02003	1	TOOL, BRISTLE SHOD DRY PICK-UP		
15	86199060	68094	1	RING, BOTTOM WAND		
16	86199030	68090	1	NUT, BOTTOM WAND		

SUGGESTED SPARE PARTS

PART NO	PRV NO.	DESCRIPTION	NOTES:
86198840	68004	FILTER BAG, MICRO-TEX (CLOTH) LG	
86198850	68005	FILTER BAG, MICRO (PAPER) LG 10/PKG	
86198870	68007	FILTER, DOME	
86198890	68013	FILTER, AIR/SOUND DIFFUSER	
86218010	68086	FUSE ASM	
86198710	68097	BRUSH SET (PKG 2)	

SERIAL NUMBERS

REF. NO.	MODEL: SERIAL #:
1	-