

Spare parts list
(5.970-744.0) Spare parts list BD 80/120W Bp / Bp Pack

DE HINWEISE

Weitere Sprachen:

Diese Ersatzteilliste ist in weiteren Sprachen erhältlich. Sie erhalten diese unter www.kaercher.com im Bereich Service.
Die Schreibweise der Teilenummer, z.B. 75456380, entspricht der Teilenummer 7.545-638.0.

Mengenangaben:

Die Mengenangaben in der Ersatzteilliste entsprechen den in der Baugruppe verbauten Stückzahlen der Bauteile.

Meterware:

Ersatzteile welche als Meterware geliefert werden sind auf Einbaulänge selbst zu kürzen. Die Stückzahlen sind als Mindestbestellmenge =1m angegeben und müssen je nach Bedarf auf weitere volle Meterzahlen erhöht werden.

Versionen/ Werknummern:

Sind Versionen oder Werknummern in der Ersatzteilliste angegeben, ist anhand dieser vor Bestellung zu prüfen, welches Bauteil für ihr Gerät verwendet werden muss.

Lackierte Teile:

Bei Bestellungen von lackierten Teilen welche in der Ersatzteilliste nicht in verschiedenen Farben ausgewiesen sind, ist zusätzlich die Farbnummer oder Farbe mit anzugeben.

Technische Änderungen:

Technische Änderungen sowie das Recht der ausschließlichen Auswertung unseres geistigen Eigentums behalten wir uns vor.

EN INSTRUCTIONS

Other languages:

This list of spare parts is also available in other languages. You can get this list from www.kaercher.com in the Service division.
The designation of the part number e.g. 75456380 is equal to 7.545-638.0.

Quantity details:

The quantity details in the spare parts list correspond to the number of pieces of the component installed in the assembly group.

Piece goods:

Spare parts that are sold as piece goods are to be cut to the desired length. The quantities have been indicated as minimum order quantity =1m and must be rounded off to the full meter figure depending on your requirements.

Version/ Plant numbers:

If version or plant numbers are mentioned in the spare parts list, then use the same to check before ordering which spare part needs to be used for your appliance.

Painted parts:

While ordering painted parts that are not mentioned in the spare parts list in their colour variations, please mention the colour number or the colour you require.

Technical changes:

We reserve the right to make technical changes as well as the right to exclusive use of our intellectual property.

FR REMARQUES

Autres langues:

Cette liste de pièces de rechange est disponible en autres langues. Cela est disponible sous www.kaercher.com dans le menu Service.
La désignation du numéro de pièce, par ex. 75456380, correspond au numéro de pièce 7.545-638.0.

Indications de quantité:

Les indications de quantité dans la liste de pièces de rechange correspondre aux nombres de pièces des composant utilisées dans la construction.

Matériel au mètre:

Les pièces de rechange qui sont livrées au mètre doivent être raccourcies à longueur souhaitée par l'acheteur même. Les nombres des pièces sont indiquées en quantité de commande minimale = 1m et doivent être augmentés selon le besoin à une chiffre de mètre complète.

Versions/ Numéros d'usine:

Lorsqu'il sont indiquées des versions ou des numéros d'usine dans la liste de pièces de rechange, vous devez vérifier que composant doit être utilisé pour votre appareil.

Pièces laquées:

Pour commander des pièces laquées, où les différentes couleurs ne sont pas indiquées dans la liste des pièces de rechange, vous devez indiquer en plus le numéro de la couleur ou seulement la couleur.

Modifications techniques:

Nous nous réservons la possibilité des modifications techniques ainsi le droit d'exploitation exclusive de notre propriété intellectuelle.

IT AVVERTENZE

Altre lingue:

Il presente elenco di parti di ricambio è disponibile sul nostro sito Web anche in altre lingue: sotto www.kaercher.com alla voce "Service".

L'indicazione del codice pezzo, ad es. 75456380, corrisponde al codice pezzo 7.545-638.0

Indicazioni di quantità:

Le indicazioni di quantità riportate dall'elenco "parti di ricambio" corrispondono al numero delle singole componenti contenute nella rispettiva unità.

Merce a metro:

Le parti di ricambio fornite come "merce a metro" devono venire in seguito accorciate alla lunghezza necessaria per il montaggio. La quantità unitaria è indicata come "quantità minima di ordinazione = 1m" e deve all'occorrenza venire moltiplicata per il numero intero di metri necessari.

Versioni / Numeri di fabbricazione:

Quando l'elenco "parti di ricambio" riporta diverse versioni o numeri di fabbricazione, confrontare la versione o il numero di fabbricazione del ricambio desiderato con quelle/i presenti nell'elenco e indicarla/o al momento dell'ordinazione.

Parti di ricambio verniciate:

Nel caso di ricambi verniciati, se l'elenco parti di ricambio non ne riporta espressamente i diversi colori, al momento dell'ordinazione è necessario indicare anche il colore o il numero del colore desiderato.

Modifiche tecniche:

Ci riserviamo il diritto di apportare modifiche tecniche così come il diritto di utilizzo esclusivo della nostra proprietà intellettuale.

ES INDICACIONES

Otros idiomas:

La lista de piezas de repuesto se puede adquirir en otros idiomas. La puede adquirir en www.kaercher.com en el área de servicios.

La notación de los números de las piezas, p.ej. 75456380 corresponde al número de pieza 7.545-638.0.

Cantidades:

Las indicaciones de cantidades de la lista de piezas de repuesto corresponden al número de piezas montadas en el componente.

Mercancía por metros:

Las piezas de repuesto que se suministran por metros se pueden cortar al largo deseado. La unidad mínima de pedido es de = 1 m y el número de metros completos se puede aumentar según necesidad.

Versiones/números de fábrica:

Si se indica la versión o número de fábrica en la lista de piezas de repuesto, se debe comprobar en ella la pieza a usar para su aparato antes de realizar el pedido.

Piezas lacadas:

Al realizar pedidos de piezas lacadas que no estén indicadas en los diferentes colores en la lista de piezas de repuesto, se debe indicar también la referencia del color o el color.

Modificaciones técnicas:

Reservados los derechos de realizar modificaciones técnicas y aprovechar nuestra propiedad intelectual.

PL WSKAZÓWKI

Pozostałe języki:

Ta lista części zamiennych jest dostępna w także w innych językach. Mogą ją Państwo pobrać ze strony www.kaercher.com w dziale Serwis.

Sposób zapisywania numeru części, np. 75456380, odpowiada numerowi części 7.545-638.0.

Dane ilości:

Dane ilości podane w liście części zamiennych odpowiadają liczbie sztuk podzespołów tworzących dany moduł.

Towar sprzedawany na metry:

Części zamienne dostarczane jako towar sprzedawany na metry po zamontowaniu należy samodzielnie skrócić do potrzebnej długości. Liczba sztuk podana jest jako minimalna ilość zamówienia = 1m i w zależności od potrzeb zwiększa się ją o kolejne pełne metry.

Wersje/ Numer zakładu:

Jeżeli w liście części zamiennych podane są wersje lub numery zakładu, przed zamówieniem na ich podstawie należy sprawdzić, który podzespół stosuje się w Państwa urządzeniu.

Części lakierowane:

W przypadku zamówień części lakierowanych, które w liście części zamiennych nie podano w wielu kolorach, należy dodatkowo zaznaczyć nr koloru lub kolor.

Zmiany techniczne:

Zastrzegamy sobie prawo do zmian technicznych oraz wyłącznego wykorzystywania naszej własności intelektualnej.

RU УКАЗАНИЯ:

Другие языки:

Данный список запасных частей также доступен на других языках. Вы найдете его на сайте www.kaercher.com в разделе Service
Маркировка номера детали, например, 75456380, соответствует номеру детали 7.545-638.0.

Указание количества:

Количественные данные в списке запасных частей соответствуют числу компонентов, входящих в состав узлов.

Товар, продаваемый на метры:

Запасные части, продающиеся на метры, необходимо обрезать до нужной длины. Число изделий указано в виде минимального объема заказа = 1м и их количество можно округлить до требуемого по мере необходимости.

Варианты исполнения/заводские номера:

Если варианты исполнения или заводские номера указаны в списке запасных частей, то перед заказом необходимо проверить, какая деталь подходит для вашего устройства.

Лакированные детали:

При заказе лакированных деталей, варианты расцветки которых не указаны в списке запасных частей, необходимо дополнительно указать номер цвета или необходимый для вас цвет.

Технические изменения:

Мы оставляем за собой право на технические изменения, а также право на исключительное использование нашей интеллектуальной собственности.

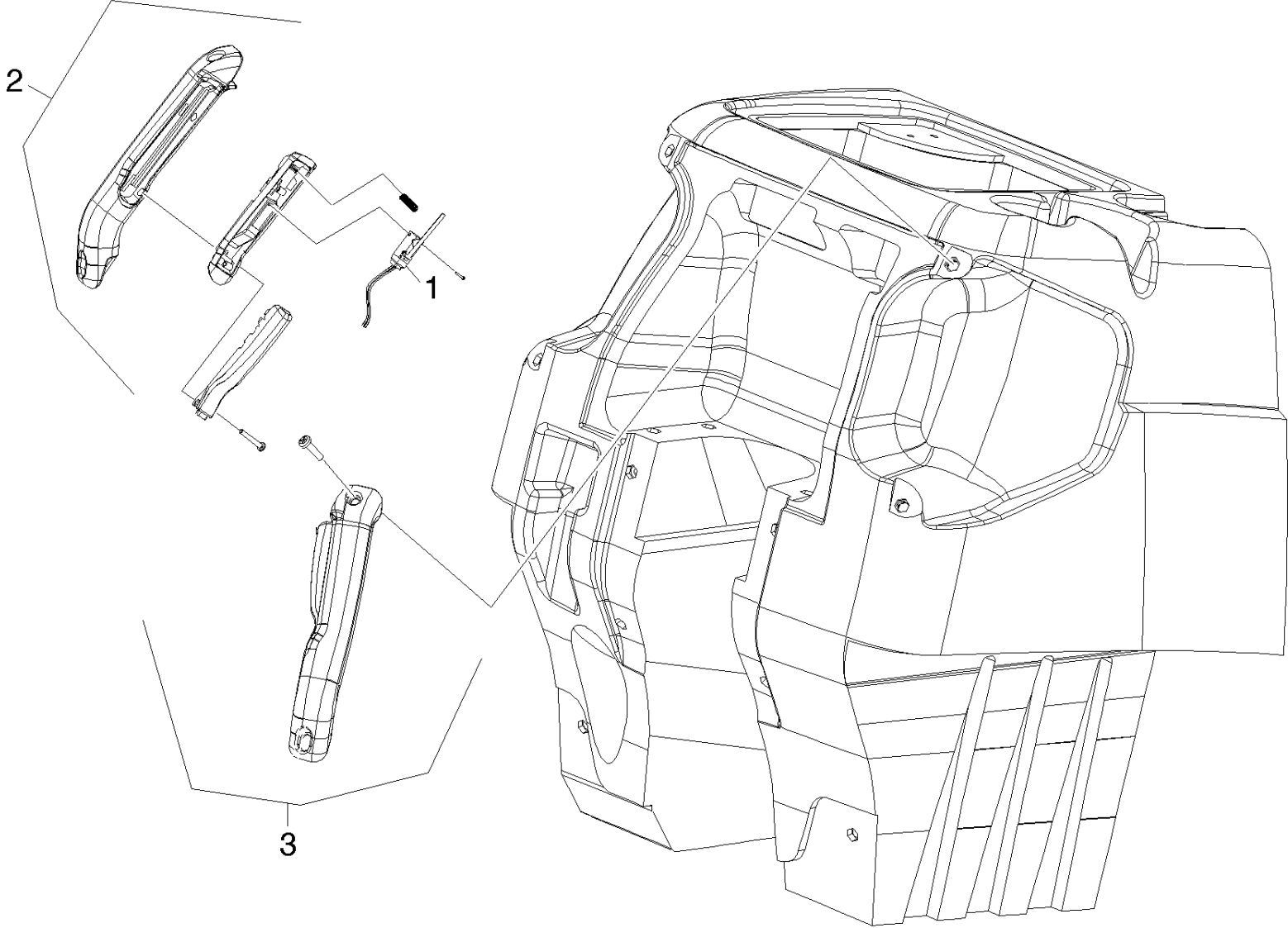
Spare parts list BD 80/120W Bp / Bp Pack (5.970-744.0)	6
10 Handhold few steering (0.107-876.0).....	8
20 Covering cap front (0.107-877.0).....	10
30 Covering cap above (0.107-878.0).....	12
40 Inscription (0.107-880.0).....	14
50 Control panel (0.107-886.0).....	16
60 Hand grip (0.107-887.0).....	19
70 Hand grip fixing (0.107-905.0).....	21
80 Waste water tank (0.107-906.0).....	23
90 Transmission pad (0.107-907.0).....	25
100 Individual parts Aqua-Mizer (0.107-909.0).....	27
110 Transmission brushes (0.107-911.0).....	29
120 Covering cap brushes (0.107-927.0).....	31
130 Fixing power brush (0.107-931.0).....	33
140 Fixing power brush (0.107-964.0).....	35
150 Power brush lifting (0.108-007.0).....	37
160 Fresh water tank (0.108-029.0).....	39
170 Brush watering (0.108-047.0).....	41
180 Suction bar (0.108-048.0).....	43
190 Suction beam retraction (0.108-104.0).....	46
200 Aspiration (0.108-735.0).....	48
210 Carriage (0.108-740.0).....	50
220 Battery (0.108-776.0).....	52
230 Cable harness (0.108-777.0).....	54
240 Brake (0.108-778.0).....	56
250 Pushbutton emergency stop (0.108-779.0).....	58
260 Accessories pump (0.108-780.0).....	60
300 Special tools (0.120-572.0).....	62
200 Tool measuring instrument current AC/DC, (0.120-008.0).....	63
210 Tool tool - extractor system Molex (0.120-082.0).....	65
220 Tool potentiometer DC (0.120-088.0).....	67
230 Tool magnetic field tester (0.120-104.0).....	69
240 Tool tester electric Metratester5 (0.120-160.0).....	71

Spare parts list BD 80/120W Bp / Bp Pack (5.970-744.0)

Pos	Name	Qty.	Unit
10	Handhold few steering	1.000	ST
20	Covering cap front	1.000	ST
30	Covering cap above	1.000	ST
40	Inscription	1.000	ST
50	Control panel	1.000	ST
60	Hand grip	1.000	ST
70	Hand grip fixing	1.000	ST
80	Waste water tank	1.000	ST
90	Transmission pad	1.000	ST
100	Individual parts Aqua-Mizer	1.000	ST
110	Transmission brushes	1.000	ST
120	Covering cap brushes	1.000	ST
130	Fixing power brush	1.000	ST
140	Fixing power brush	1.000	ST
150	Power brush lifting	1.000	ST
160	Fresh water tank	1.000	ST
170	Brush watering	1.000	ST
180	Suction bar	1.000	ST
190	Suction beam retraction	1.000	ST
200	Aspiration	1.000	ST
210	Carriage	1.000	ST
220	Battery	1.000	ST
230	Cable harness	1.000	ST
240	Brake	1.000	ST
250	Pushbutton emergency stop	1.000	ST

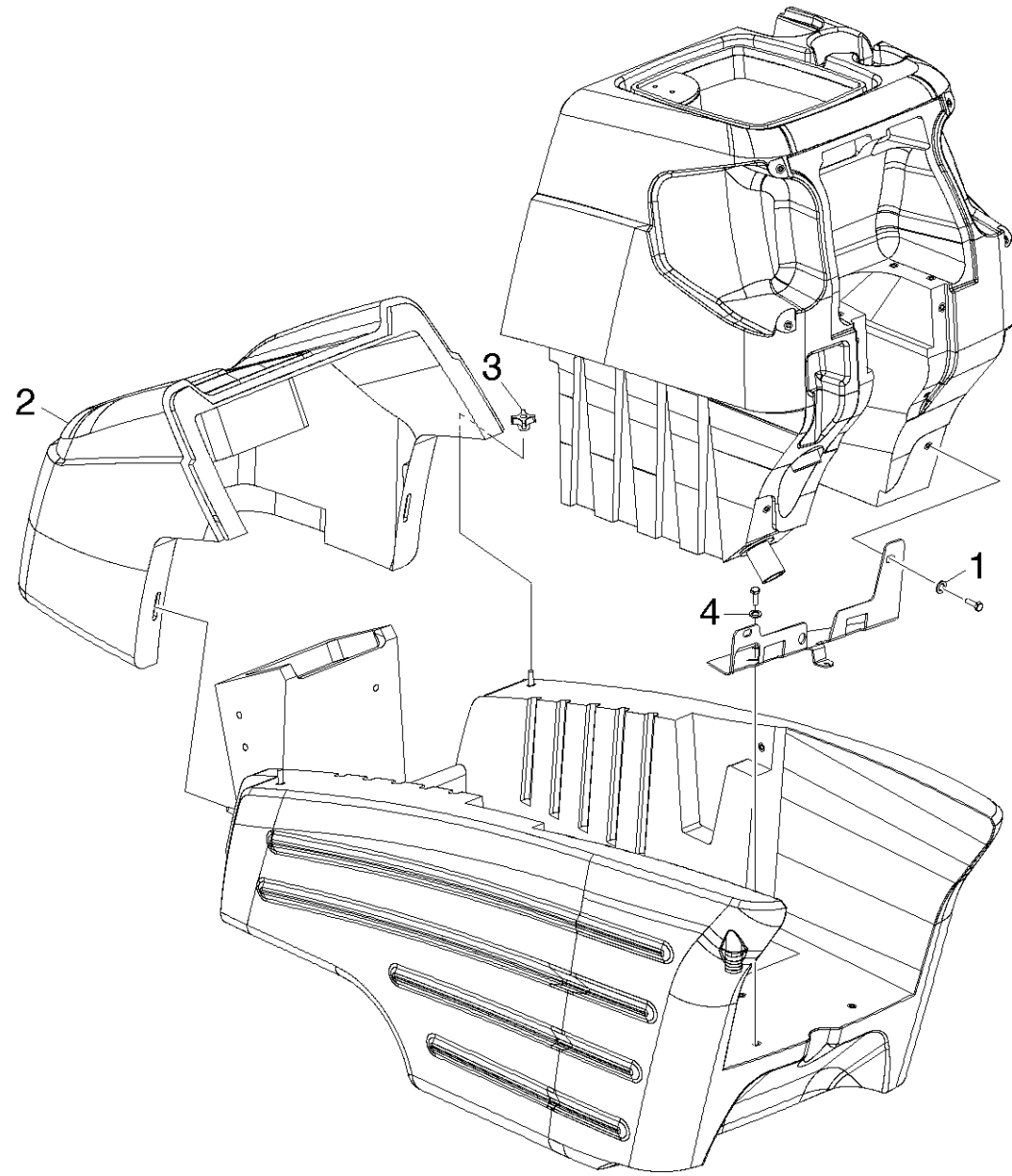
Spare parts list BD 80/120W Bp / Bp Pack (5.970-744.0)

Pos	Name	Qty.	Unit
260	Accessories pump	1.000	ST
300	Special tools	1.000	ST



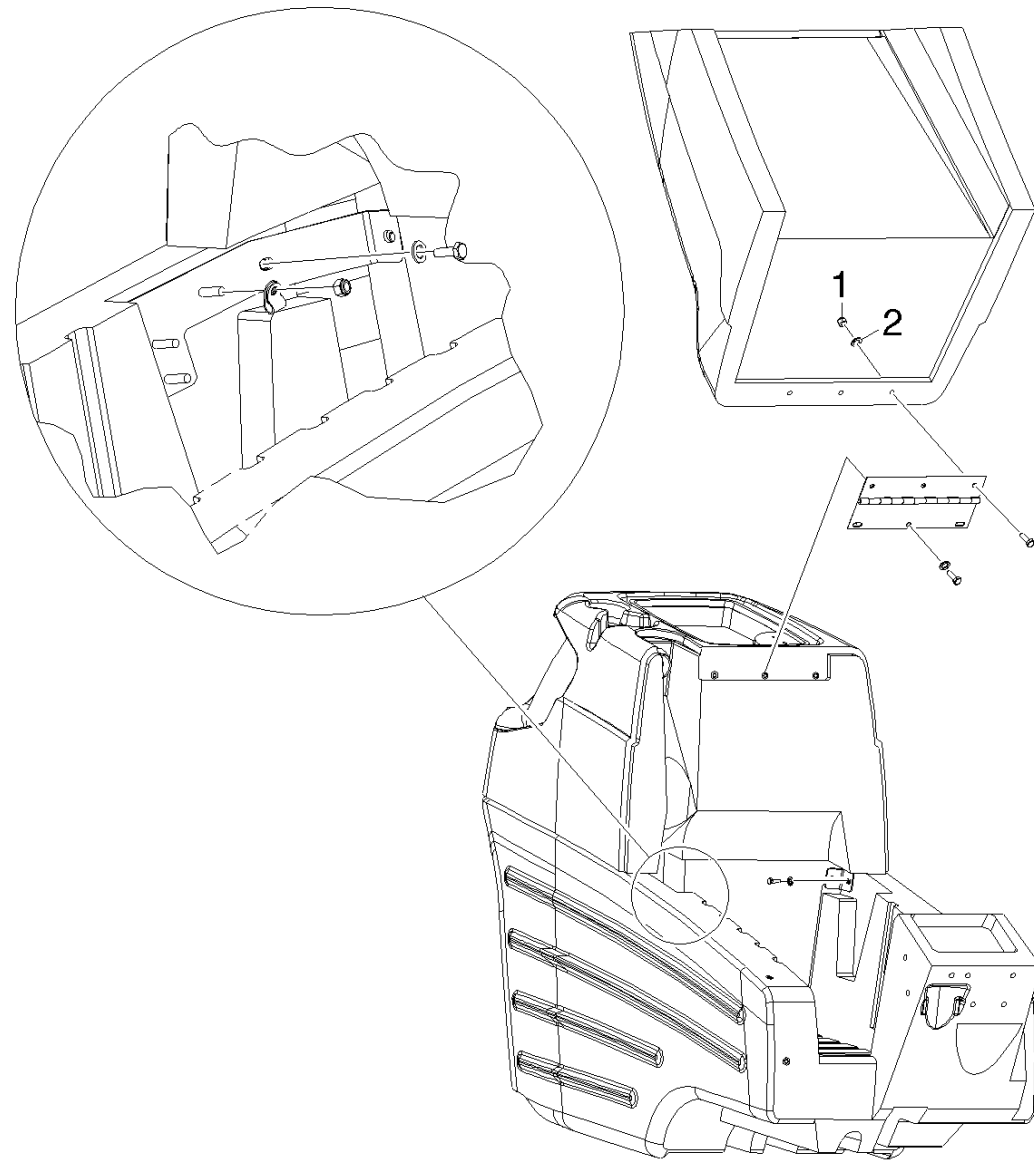
10 Handhold few steering (0.107-876.0)

ET/VT (spare/wear parts)	Pos	Material #	Name	Qty.	Unit
	1	8.625-723.0	Switch SPST MOM NO W/LEVER	2.000	ST
X	2	8.600-412.0	PROPEL HANDLE ASM LEFT	1.000	ST
	3	8.600-413.0	PROPEL HANDLE ASM RIGHT	1.000	ST



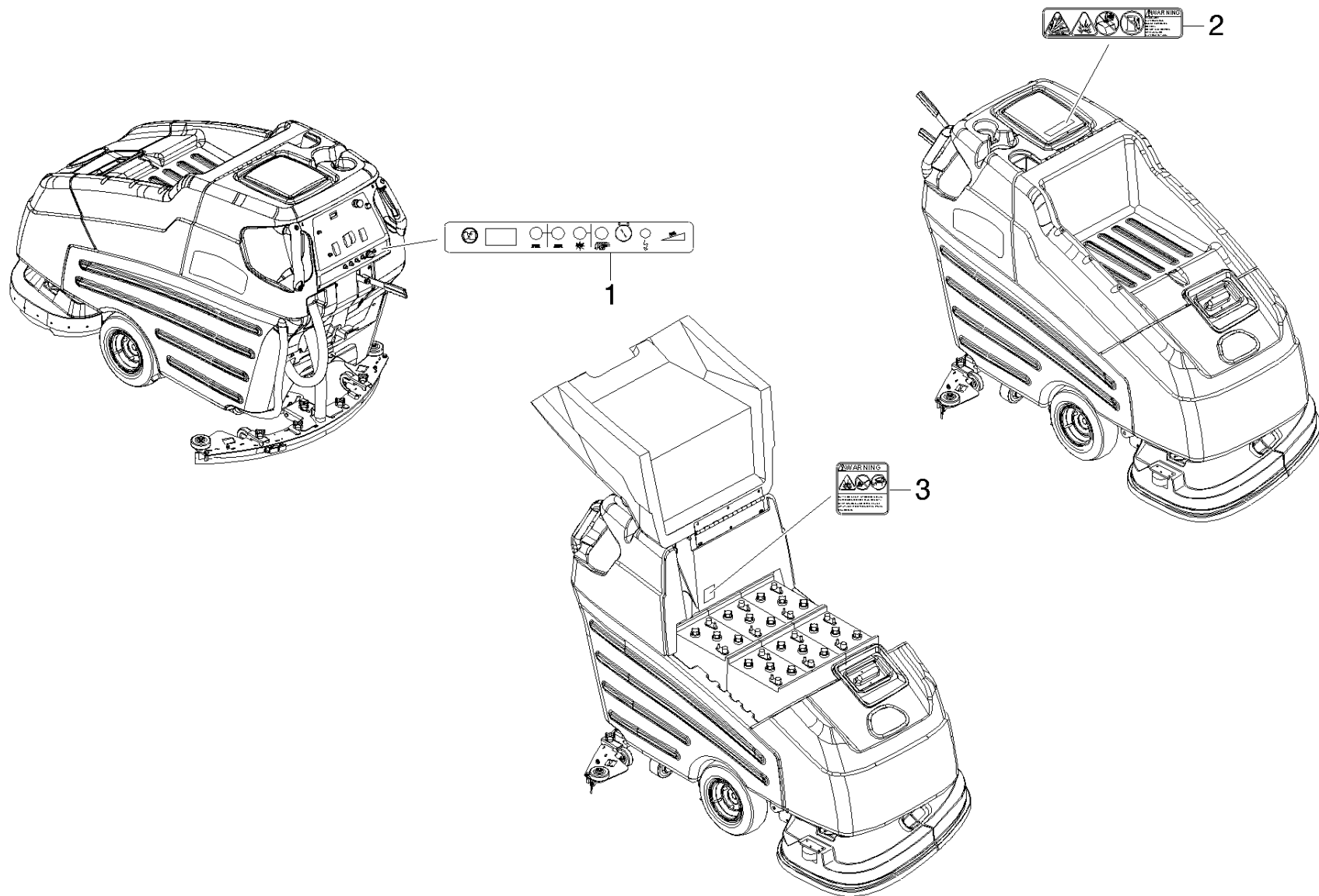
20 Covering cap front (0.107-877.0)

ET/VT (spare/wear parts)	Pos	Material #	Name	Qty.	Unit
X-X	1	8.601-067.0	Washer 5/16 FLAT SS	2.000	ST
	2	8.601-340.0	COVER, FRONT, 36V, BLK	1.000	ST
	3	8.600-479.0	KNOB, 5/16-18 4 PRONG	2.000	ST
X-X	4	8.627-963.0	WASHER, 5/16 X 1.13 X .09 FLT	3.000	ST



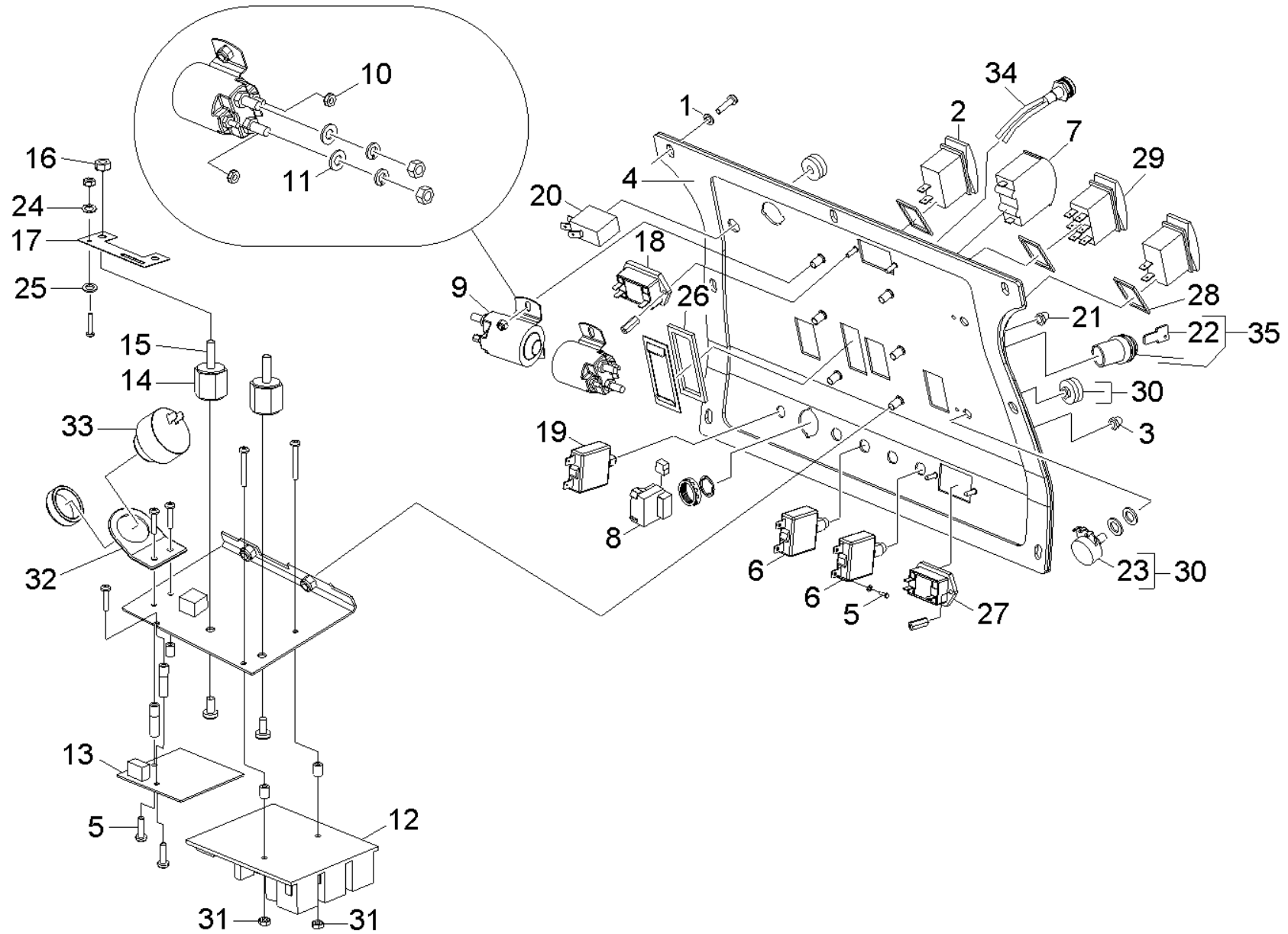
30 Covering cap above (0.107-878.0)

ET/VT (spare/wear parts)	Pos	Material #	Name	Qty.	Unit
	1	8.627-184.0	Nut 5/16-18 HEX NYLOCK THIN SS	3.000	ST
X-X	2	8.601-067.0	Washer 5/16 FLAT SS	10.000	ST



40 Inscription (0.107-880.0)

Pos	Material #	Name	Qty.	Unit
1	8.629-059.0	LABEL, BREAKERS, 80/120 W	1.000	ST
2	8.625-253.0	SAFETY DECAL, SOLUTION WARNING	1.000	ST
3	8.625-252.0	SAFETY DECAL, BATTERY CAUTION	1.000	ST

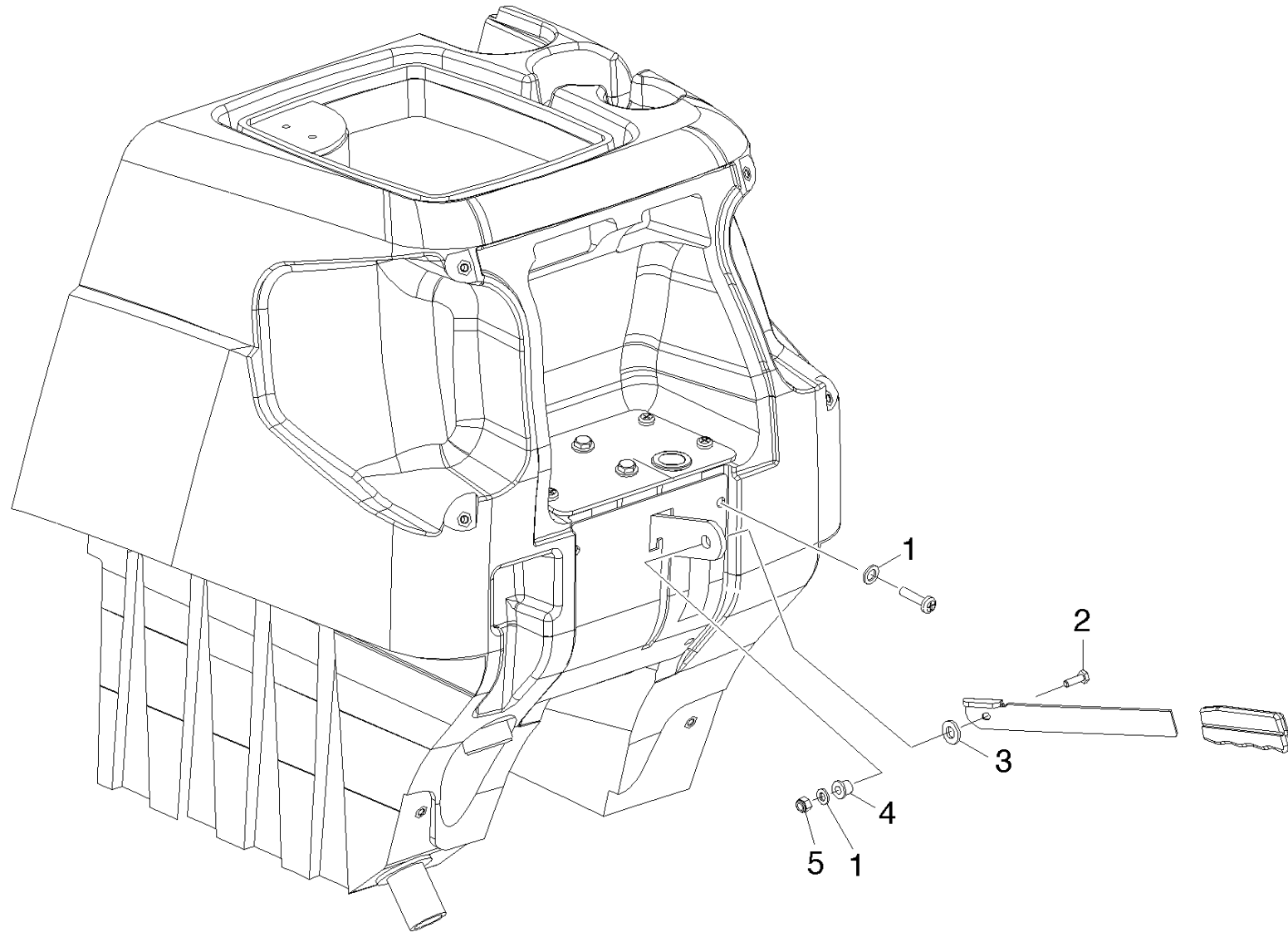


50 Control panel (0.107-886.0)

ET/VT (spare/wear parts)	Pos	Material #	Name	Qty.	Unit
X	1	8.629-425.0	WASHER, .19ID X .5 X .09TK BLK	7.000	ST
X-X	2	8.600-714.0	Switch SPST 2-POSITION ROCKER	2.000	ST
X-X	3	8.600-890.0	BOOT, SEAL-PUSH BUTTON 7/16-28	4.000	ST
	4	8.623-782.0	GASKET, ELEC. PANEL, 36V	1.000	ST
	5	8.627-399.0	Screw 6-32 X 3/8 PPHMS SS	8.000	ST
X-X	6	8.600-191.0	BREAKER, 30A 50VDC CIRCUIT	4.000	ST
	7	8.624-694.0	METER, 0-50 AMP DC	1.000	ST
X	8	8.600-717.0	Switch KEY TWO POSITION	1.000	ST
X-X	9	8.600-637.0	Relay 36VDC 100AMP HVY DUTY	2.000	ST
	10	8.600-570.0	Nut 10-32 W/STAR WASHER PLTD	4.000	ST
	11	8.601-076.0	Washer .344X.69X.066 FLAT PLT	2.000	ST
X-X	12	8.600-294.0	CONTROLLER, 36VDC PROPEL MOTOR	1.000	ST
X-X	13	8.600-325.0	Circuit board SOL FLOAT WIRED	1.000	ST
	14	8.625-591.0	STANDOFF, 1/4-20 X 1.0 HEX INS	2.000	ST
	15	8.600-685.0	Set screws 1/4-20X 1.25L	1.000	ST
X	16	8.600-571.0	Nut 1/4-20 HEX W/STAR WASHER	2.000	ST
	17	8.625-362.0	SHUNT, DC AMM. 50 AMP, 50MV	1.000	ST
	18	8.629-109.0	METER, 36V GEL BATT W/OUTPUT	1.000	ST
X	19	8.600-200.0	BREAKER, 3 AMP 1681-090-300	1.000	ST
	20	8.625-703.0	Switch MOMENTARY, DPST	1.000	ST
X-X	21	8.600-201.0	BOOT, 3/8 CIRCUIT BREAKER	1.000	ST
X-X	22	8.600-486.0	KEY, SWITCH	1.000	ST
	23	8.600-631.0	POTENTIOMETER, 50K OHMS	1.000	ST
	24	8.627-902.0	Washer #6 LOCK EXT STAR SS	2.000	ST
	25	8.627-960.0	WASHER, #6 FLAT BRASS	2.000	ST

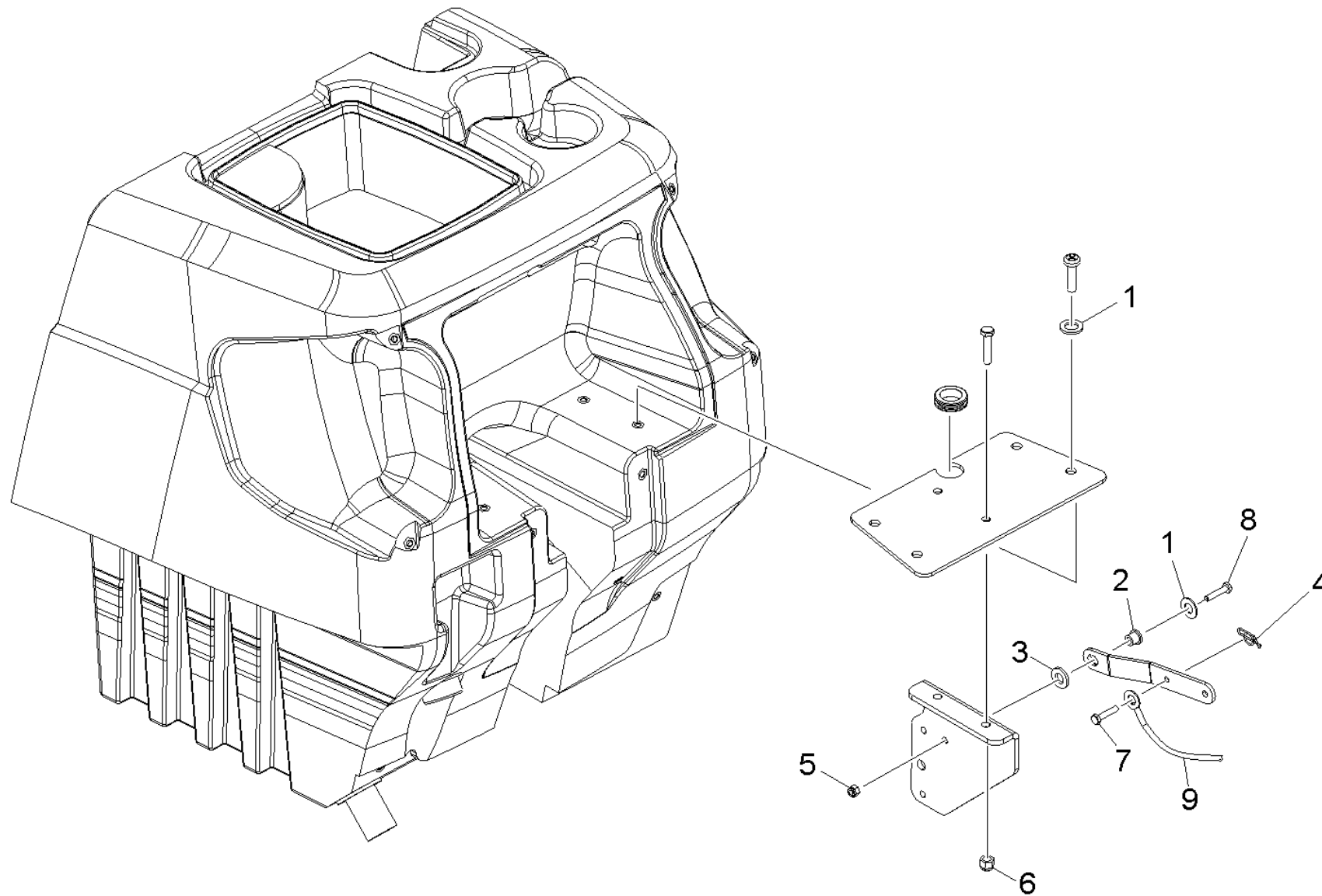
50 Control panel (0.107-886.0)

ET/VT (spare/wear parts)	Pos	Material #	Name	Qty.	Unit
	26	8.623-783.0	GASKET, AMP METER	1.000	ST
	27	8.600-553.0	METER, 12-48 VDC LED HOUR	1.000	ST
	28	8.623-803.0	GASKET, SWITCH CARLING	3.000	ST
	29	8.600-721.0	Switch DPDT 3-POSITION ROCKER	1.000	ST
	30	8.629-190.0	KIT, SOLUTION CONTROL	1.000	ST
	31	8.627-085.0	NUT, 8-32 HEX NYLOCK SS	2.000	ST
	32	8.607-050.0	BRKT, BATTERY ALARM	1.000	ST
	33	8.623-150.0	BUZZER, PIEZO 6-28VDC	2.000	ST
	34	8.624-663.0	LIGHT, INDICATOR, RED	1.000	ST
X-X	35	8.600-719.0	Switch KEY DPST	1.000	ST



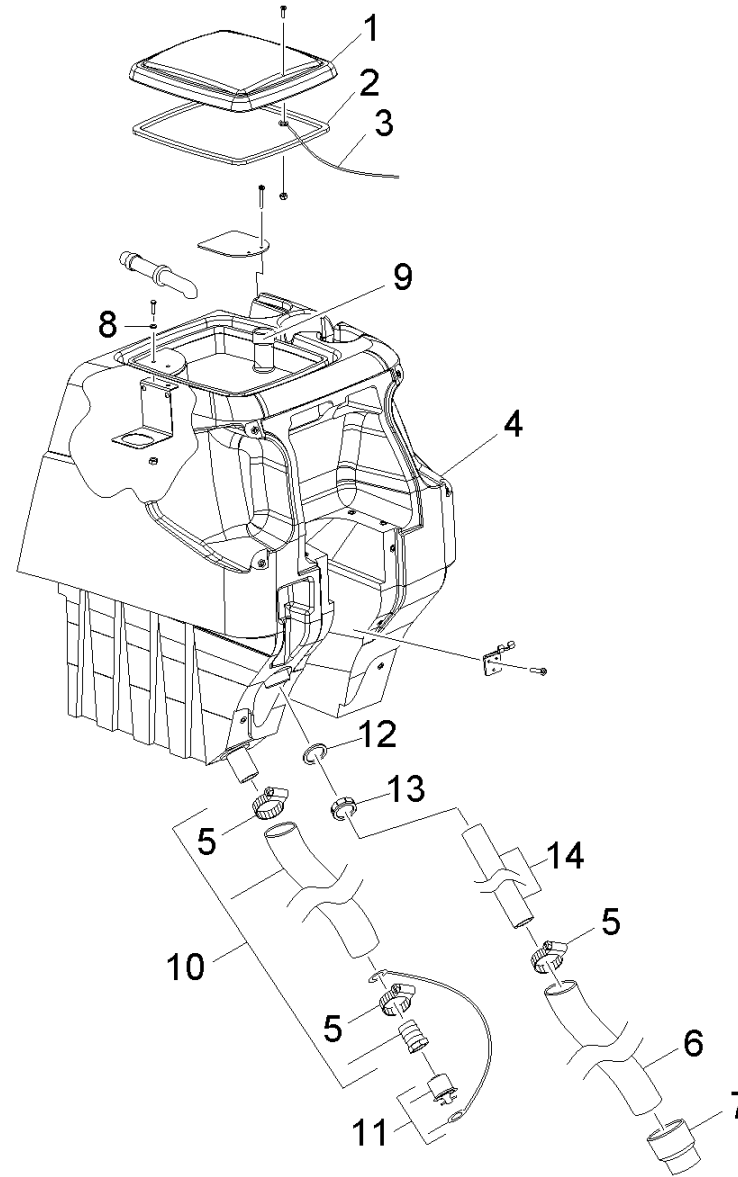
60 Hand grip (0.107-887.0)

ET/VT (spare/wear parts)	Pos	Material #	Name	Qty.	Unit
X-X	1	8.601-067.0	Washer 5/16 FLAT SS	5.000	ST
X-X	2	8.600-693.0	Screw 5/16-18 X 1.00 BSHCS SS	1.000	ST
	3	8.625-940.0	Washer THRUST.51 ID X 1 ODBRO	1.000	ST
X	4	8.622-884.0	Bearing FLANGED.314IDX.502OD	1.000	ST
	5	8.627-184.0	Nut 5/16-18 HEX NYLOCK THIN SS	1.000	ST



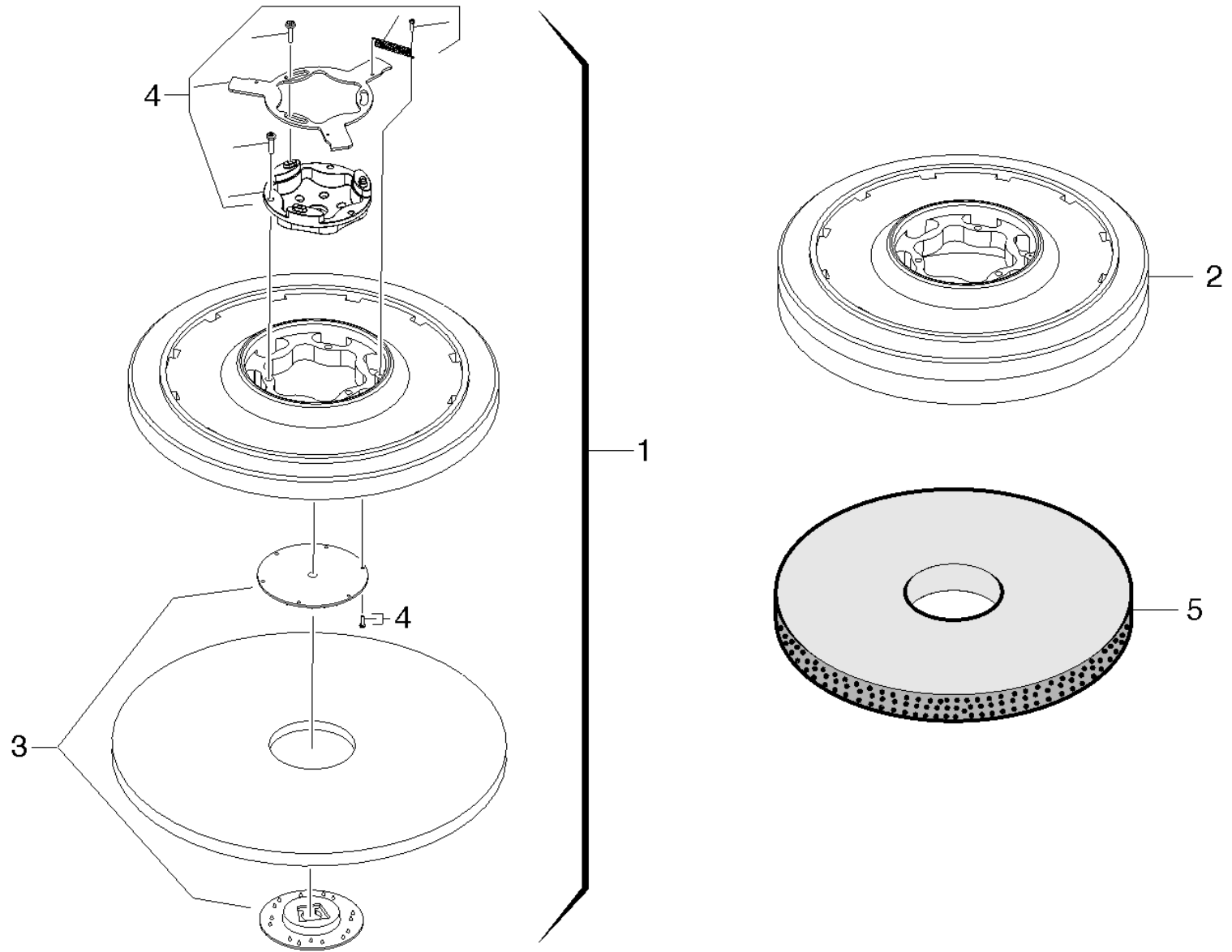
70 Hand grip fixing (0.107-905.0)

ET/VT (spare/wear parts)	Pos	Material #	Name	Qty.	Unit
X-X	1	8.601-067.0	Washer 5/16 FLAT SS	5.000	ST
X	2	8.622-884.0	Bearing FLANGED.314IDX.502OD	1.000	ST
	3	8.625-940.0	Washer THRUST.51 ID X 1 ODBRO	1.000	ST
X	4	8.600-865.0	PIN, COTTER RING 1/4 X .041 X .844	1.000	ST
	5	8.627-184.0	Nut 5/16-18 HEX NYLOCK THIN SS	1.000	ST
X-X	6	8.600-563.0	NUT HEX NYL LOC-THIN SS 3/8-16	2.000	ST
	7	8.600-956.0	PIN, CLEVIS 1/4 X .63 PLTD	1.000	ST
X	8	8.600-702.0	Screw 5/16-18 X 1.25 HHCS SS NP	1.000	ST
X	9	8.600-324.0	Cable .125X26.5,0707,SS,LB,E-E	1.000	ST



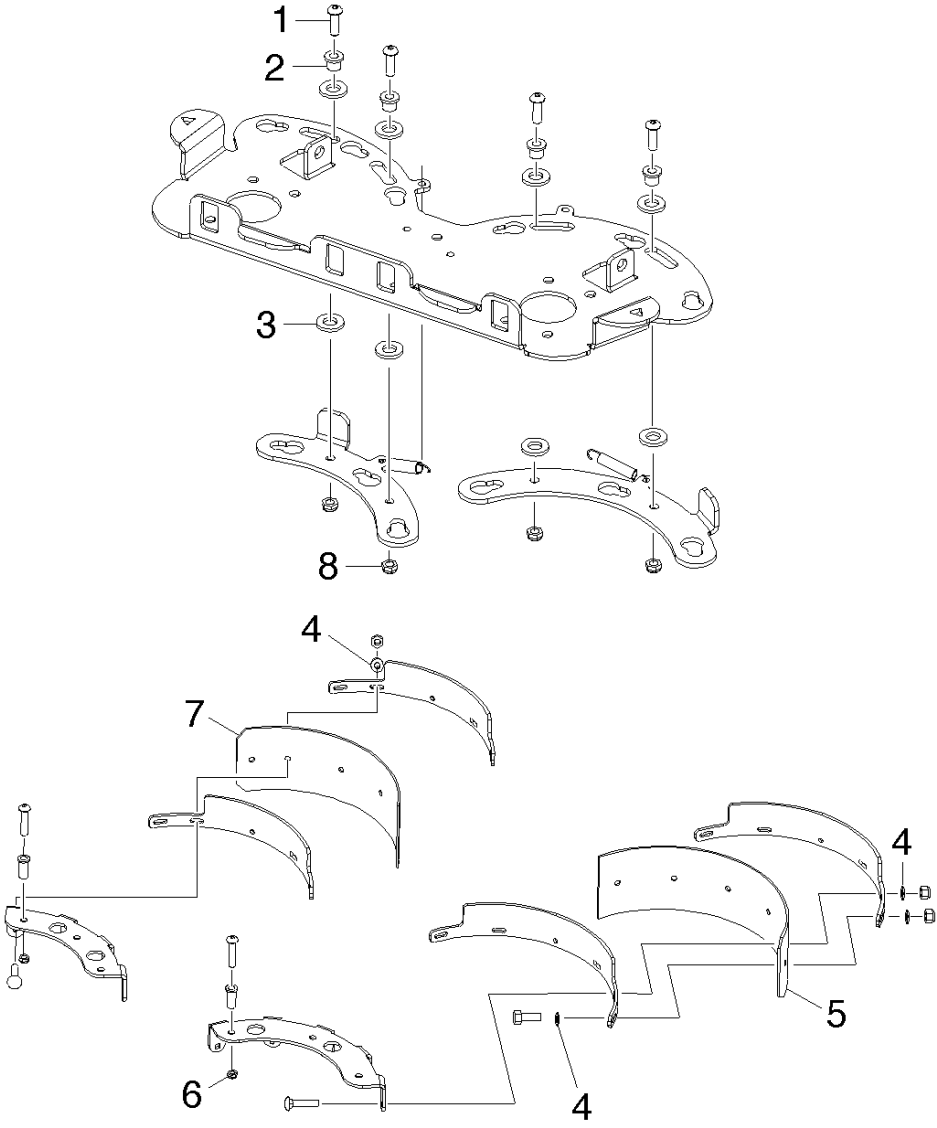
80 Waste water tank (0.107-906.0)

ET/VT (spare/wear parts)	Pos	Material #	Name	Qty.	Unit	Footnote text
X-X	1	8.600-334.0	DOME, 13 X 11	1.000	ST	
X-X	2	8.600-399.0	GASKET, DOME	1.000	ST	
X	3	8.624-608.0	LANYARD, 18.0 W/LOOP & EYE	2.000	ST	
	4	8.633-573.0	TANK, REC, 36V, TRIM MED GRAY	1.000	ST	GREY
	4	8.601-338.0	TANK, REC, 36V, YELLOW	1.000	ST	YELLOW
X-X	5	8.600-240.0	Binder 2.0" WORM GEAR X .312W	3.000	ST	
X-X	6	8.600-418.0	Hose 1.5 BLK VAC X 28"	1.000	ST	
X-X	7	8.600-284.0	CUFF, 1.5 SLIP X 1.5 HOSE	1.000	ST	
X-X	8	8.601-063.0	Washer 1/4 ID X 5/8 OD SS	2.000	ST	
	9	8.623-641.0	Float VAC SHUT OFF	1.000	ST	
X	10	8.629-192.0	KIT, DRAIN HOSE	1.000	ST	
	11	8.629-191.0	KIT, DRAIN PLUG	1.000	ST	
	12	8.623-765.0	GASKET, 1 1/2 COMPRESSION	2.000	ST	
	13	8.600-566.0	Nut 1.5 SLIP JOINT	2.000	ST	
	14	8.608-963.0	TUBE, 1.5 PVC X 24.0	1.000	ST	



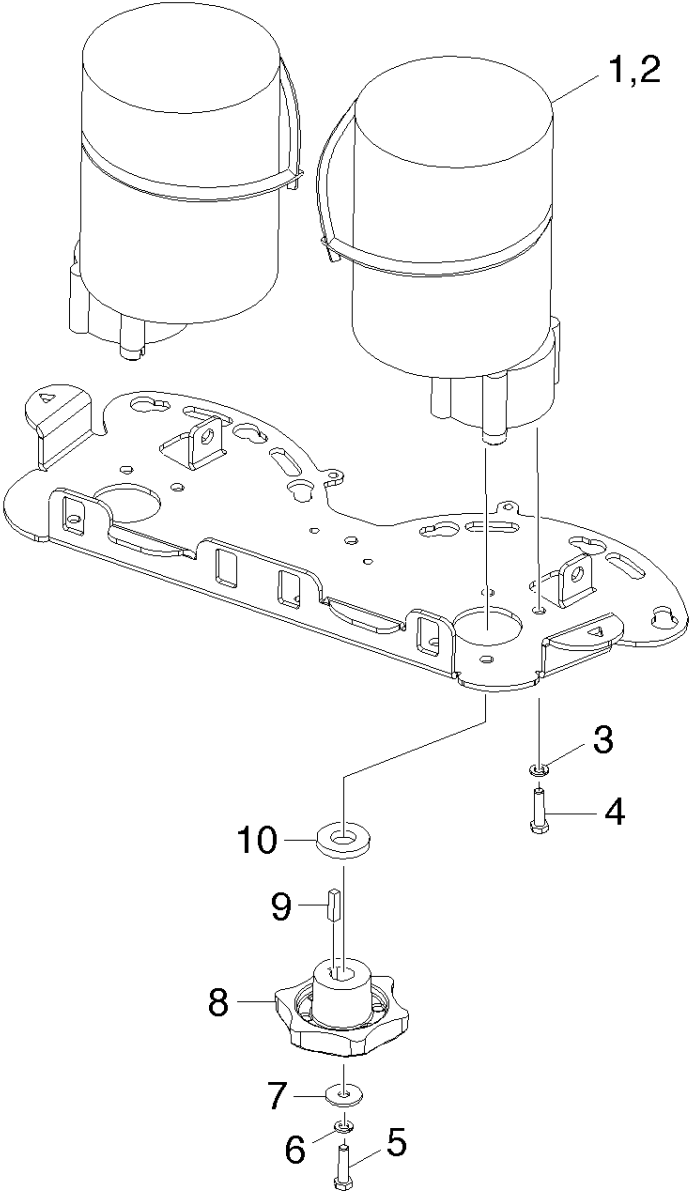
90 Transmission pad (0.107-907.0)

ET/VT (spare/wear parts)	Pos	Material #	Name	Qty.	Unit	Footnote text
X-X	1	8.600-029.0	PAD DRIVER, 16" SD	2.000	ST	
X	2	8.600-034.0	Brush 16" SUPER AGGRESSIVE SD	2.000	ST	BLACK
X-X	2	8.600-032.0	Brush 16" NYLON POLISH SD	2.000	ST	WHITE
X-X	2	8.600-030.0	Brush 16" POLYPROPYLENE SD	2.000	ST	RED
X-X	3	8.600-507.0	Lock PAD CENTER SNAP, TWO STEP	1.000	ST	
	4	8.629-193.0	KIT, DRIVER HARDWARE	1.000	ST	
	5	6.371-254.0	Diamond pad white set 5x Ø405	1.000	ST	WHITE
	5	6.371-255.0	Diamond pad yellow set 5x Ø405	1.000	ST	YELLOW
X	5	6.371-237.0	Diamond pad green set 5x Ø405	1.000	ST	GREEN
	5	6.371-169.0	Pad black	1.000	ST	SET WITH 5 PIECES
X-X	5	6.371-148.0	Pad green	1.000	ST	SET WITH 5 PIECES
X	5	6.371-147.0	Pad red	1.000	ST	SET WITH 5 PIECES



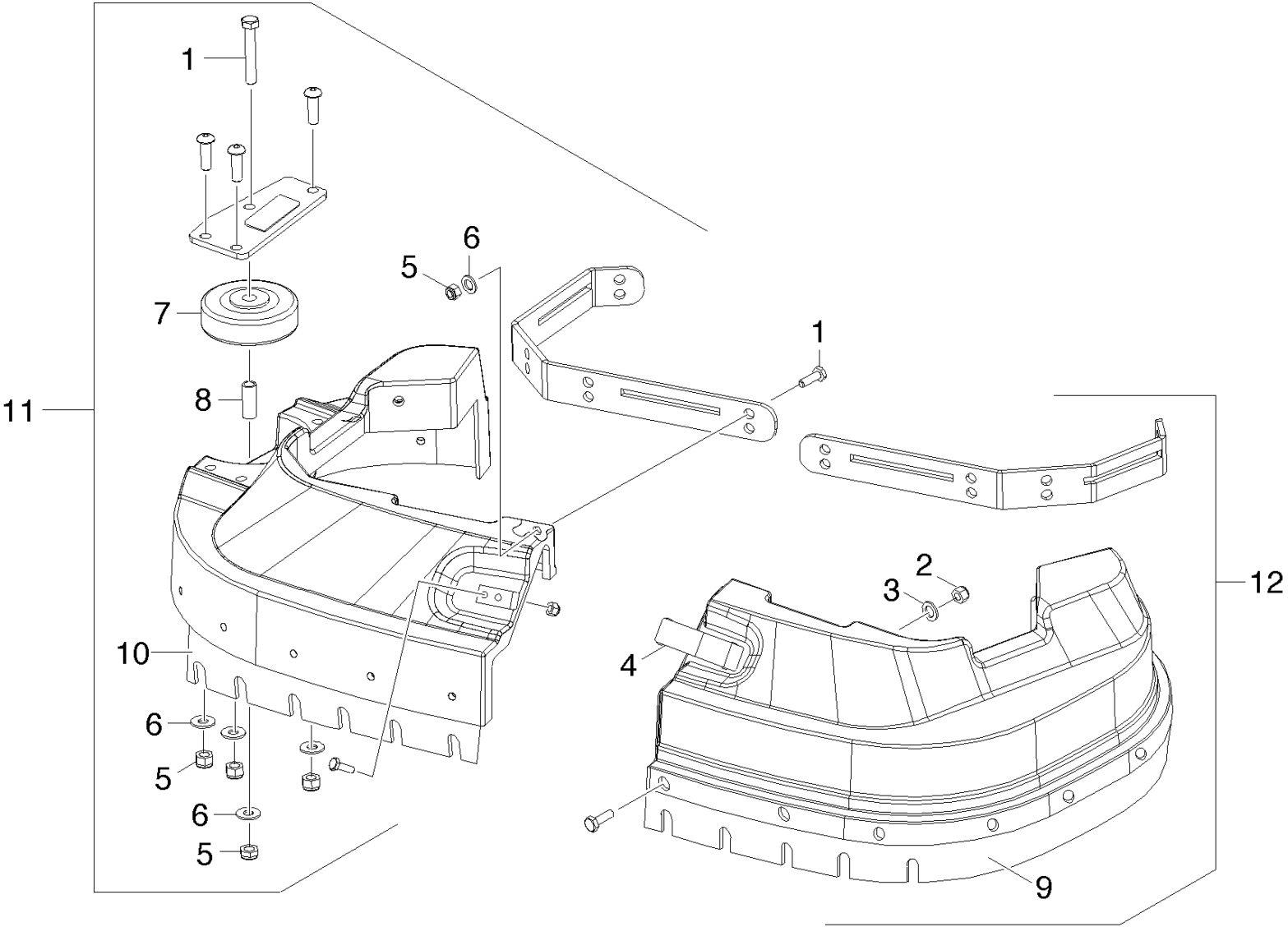
100 Individual parts Aqua-Mizer (0.107-909.0)

ET/VT (spare/wear parts)	Pos	Material #	Name	Qty.	Unit
X-X	1	8.600-693.0	Screw 5/16-18 X 1.00 BSHCS SS	4.000	ST
X	2	8.622-884.0	Bearing FLANGED.314IDX.502OD	4.000	ST
	3	8.625-940.0	Washer THRUST.51 ID X 1 ODBRO	4.000	ST
X-X	4	8.601-063.0	Washer 1/4 ID X 5/8 OD SS	13.000	ST
X-X	5	8.613-516.0	BLADE, AQ LT 16 INCH URETHANE	1.000	ST
X-X	6	8.600-563.0	NUT HEX NYL LOC-THIN SS 3/8-16	6.000	ST
X-X	7	8.613-517.0	BLADE, AQ RT 16 INCH URETHANE	1.000	ST
	8	8.627-184.0	Nut 5/16-18 HEX NYLOCK THIN SS	4.000	ST



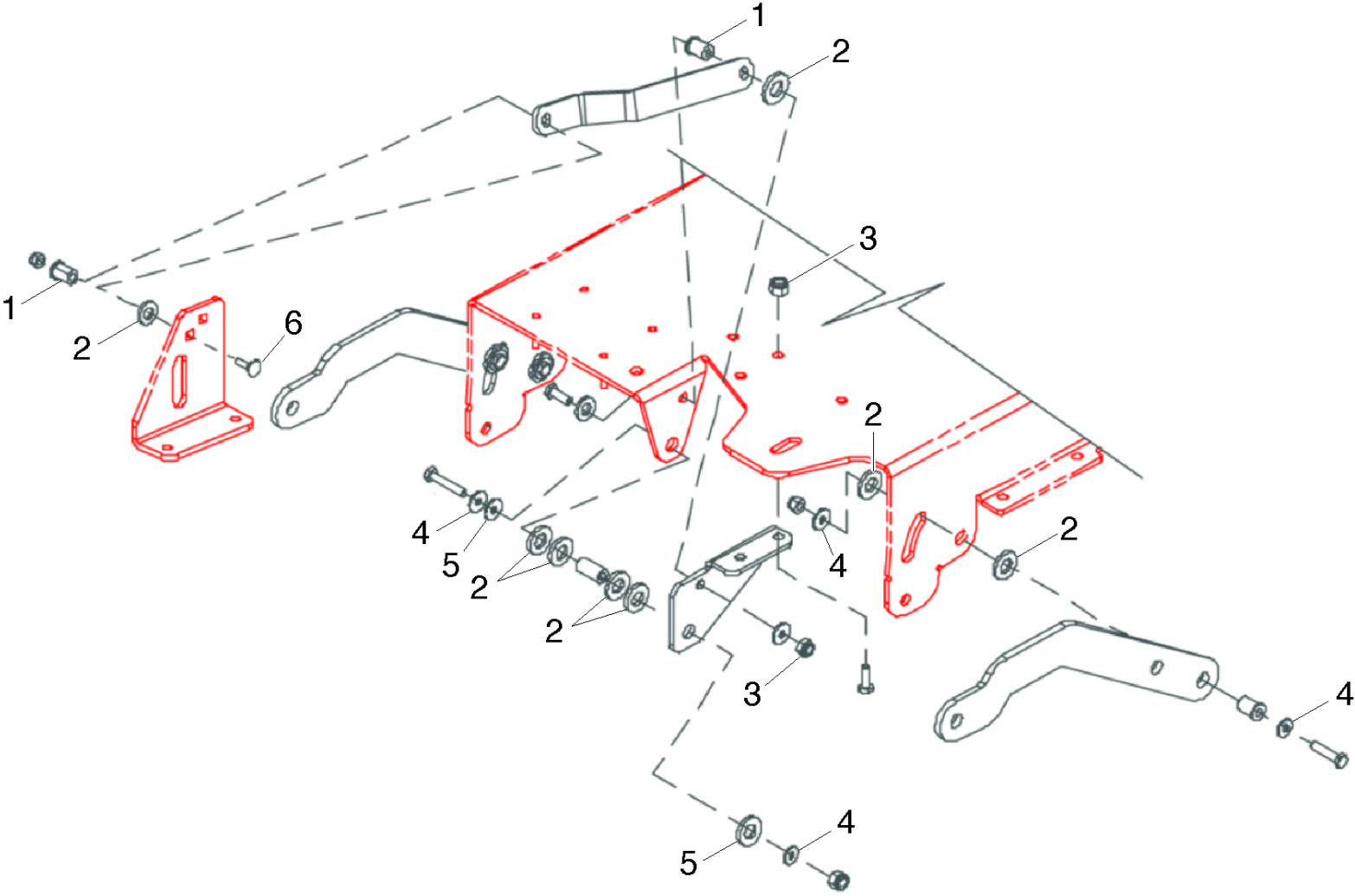
110 Transmission brushes (0.107-911.0)

ET/VT (spare/wear parts)	Pos	Material #	Name	Qty.	Unit	Footnote text
X	1	8.600-534.0	Motor 36VDC 200RPM 3/4HP GEAR	2.000	ST	
	2	8.600-189.0	X-REF 140394 OBS 10/04	1.000	ST	QUANTITY ACCORDING TO DEMAND
X-X	3	8.601-079.0	Washer 3/8 SPLIT LOCK PLTD	8.000	ST	
X	4	8.627-697.0	Screw 3/8-16 X 3/4 HHCS SS	8.000	ST	
X	5	8.600-702.0	Screw 5/16-18 X 1.25 HHCS SS NP	2.000	ST	
X-X	6	8.627-913.0	Washer 5/16 SPLIT LOCK PLTD	6.000	ST	
X-X	7	8.627-963.0	WASHER, 5/16 X 1.13 X .09 FLT	2.000	ST	
X-X	8	8.600-342.0	DRIVER, BRUSH SD	2.000	ST	
X-X	9	8.600-481.0	KEY, 1/4 SQ X 1.00	2.000	ST	
X	10	8.627-964.0	Washer .78IDX1.63ODX.25T PLT	2.000	ST	



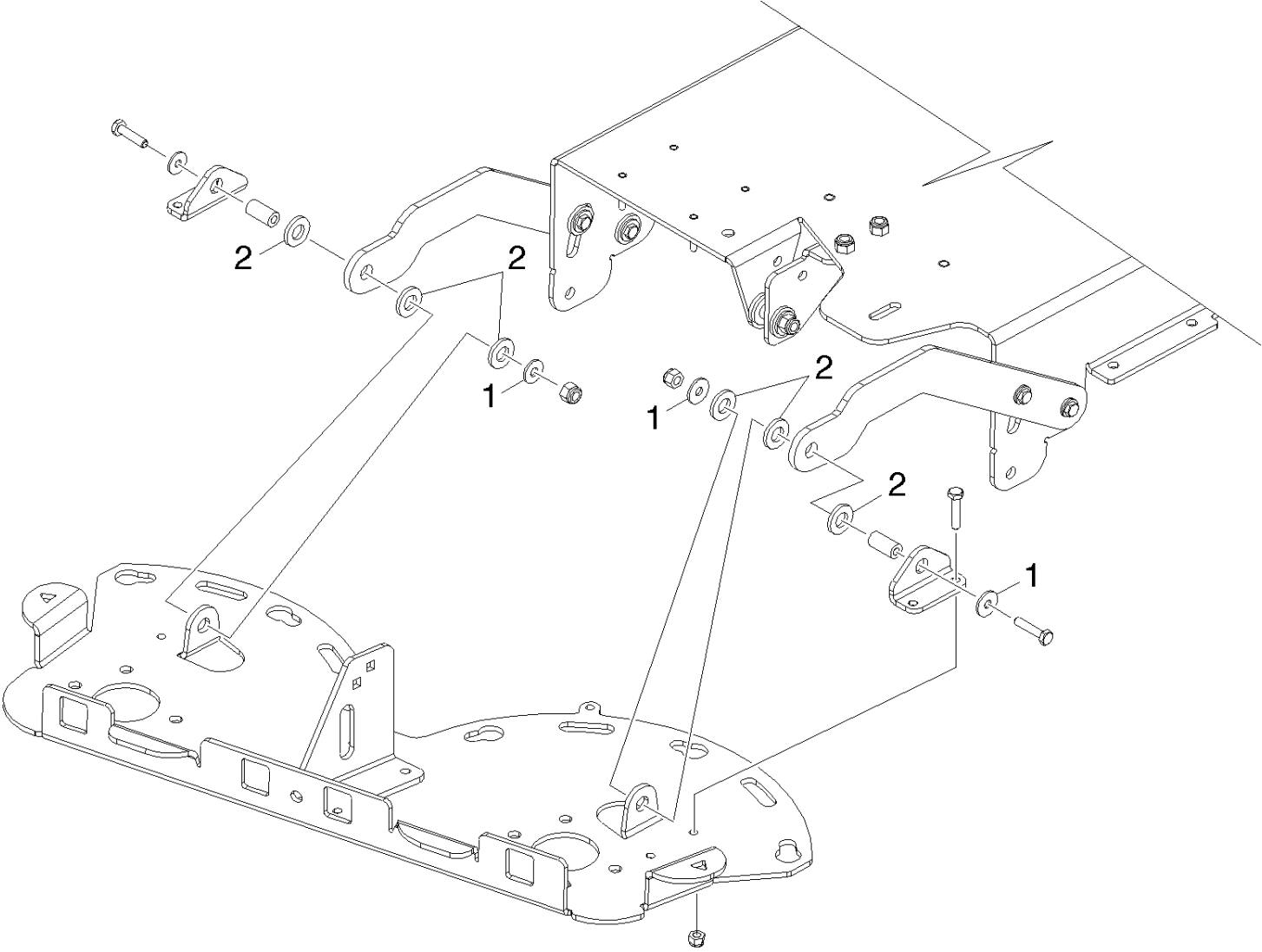
120 Covering cap brushes (0.107-927.0)

ET/VT (spare/wear parts)	Pos	Material #	Name	Qty.	Unit
X-X	1	8.600-693.0	Screw 5/16-18 X 1.00 BSHCS SS	10.000	ST
X-X	2	8.627-190.0	Nut 10-24 HEX NYLCK THIN SS	23.000	ST
X-X	3	8.601-065.0	Washer #10 X 9/16 OD	23.000	ST
X-X	4	8.616-180.0	LATCH & CONCEALED KEEPER	1.000	ST
	5	8.627-184.0	Nut 5/16-18 HEX NYLOCK THIN SS	10.000	ST
	6	8.629-250.0	WASHER, 5/16 ID X 9/16 OD SS	10.000	ST
X-X	7	8.601-102.0	Wheel 3" DIA CUSHION RUBBER	1.000	ST
X	8	8.600-135.0	BUSHING, SPANNER .435 X 1.10	1.000	ST
X-X	9	8.600-753.0	Skirt 32 INCH LEFT	1.000	ST
X-X	10	8.600-754.0	Skirt 32 INCH RIGHT	1.000	ST
	11	8.600-471.0	SHROUD ASM 32" RIGHT SCRUBHEAD	1.000	ST
	12	8.600-472.0	SHROUD ASM 32" LEFT SCRUBHEAD	1.000	ST



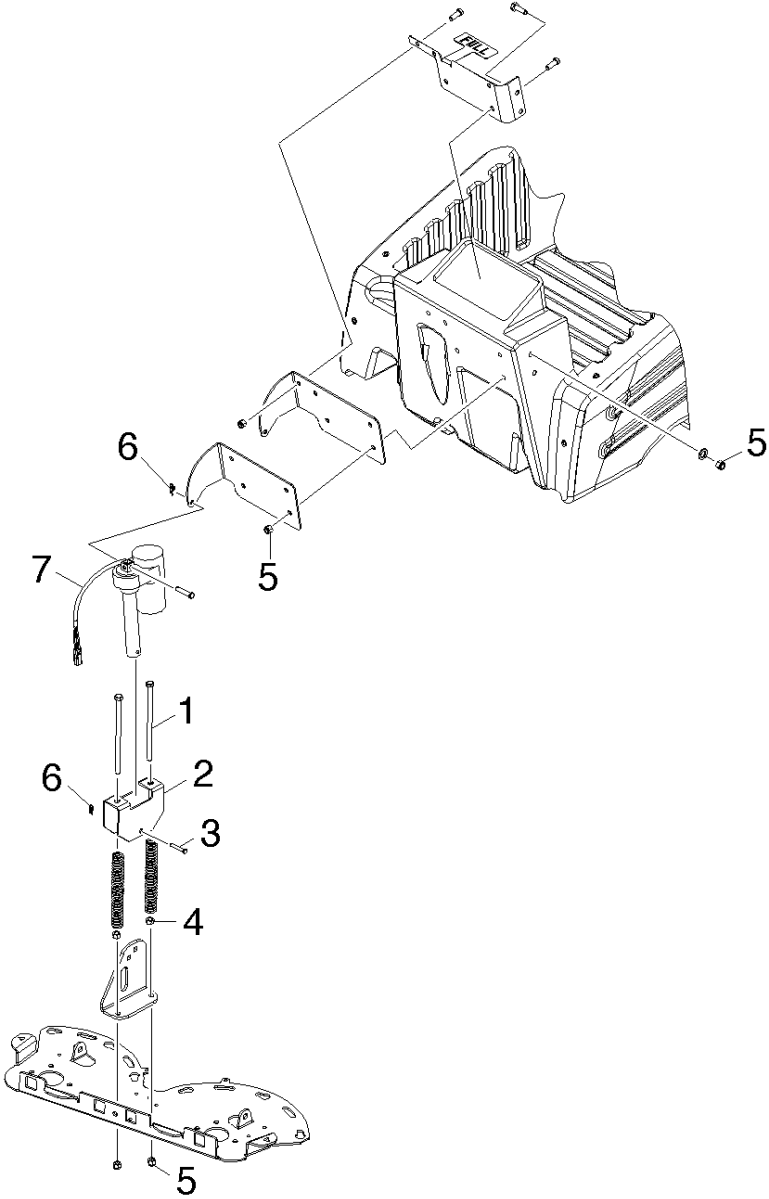
130 Fixing power brush (0.107-931.0)

ET/VT (spare/wear parts)	Pos	Material #	Name	Qty.	Unit
X	1	8.622-884.0	Bearing FLANGED.314IDX.502OD	1.000	ST
	2	8.625-940.0	Washer THRUST.51 ID X 1 ODBRO	12.000	ST
	3	8.627-184.0	Nut 5/16-18 HEX NYLOCK THIN SS	2.000	ST
X-X	4	8.601-063.0	Washer 1/4 ID X 5/8 OD SS	17.000	ST
	5	8.625-941.0	Washer THRUST.51 ID X1ODX.063	2.000	ST
	6	8.619-715.0	Screw 5/16 X 1.25 ELEV, FLDG,SA	1.000	ST



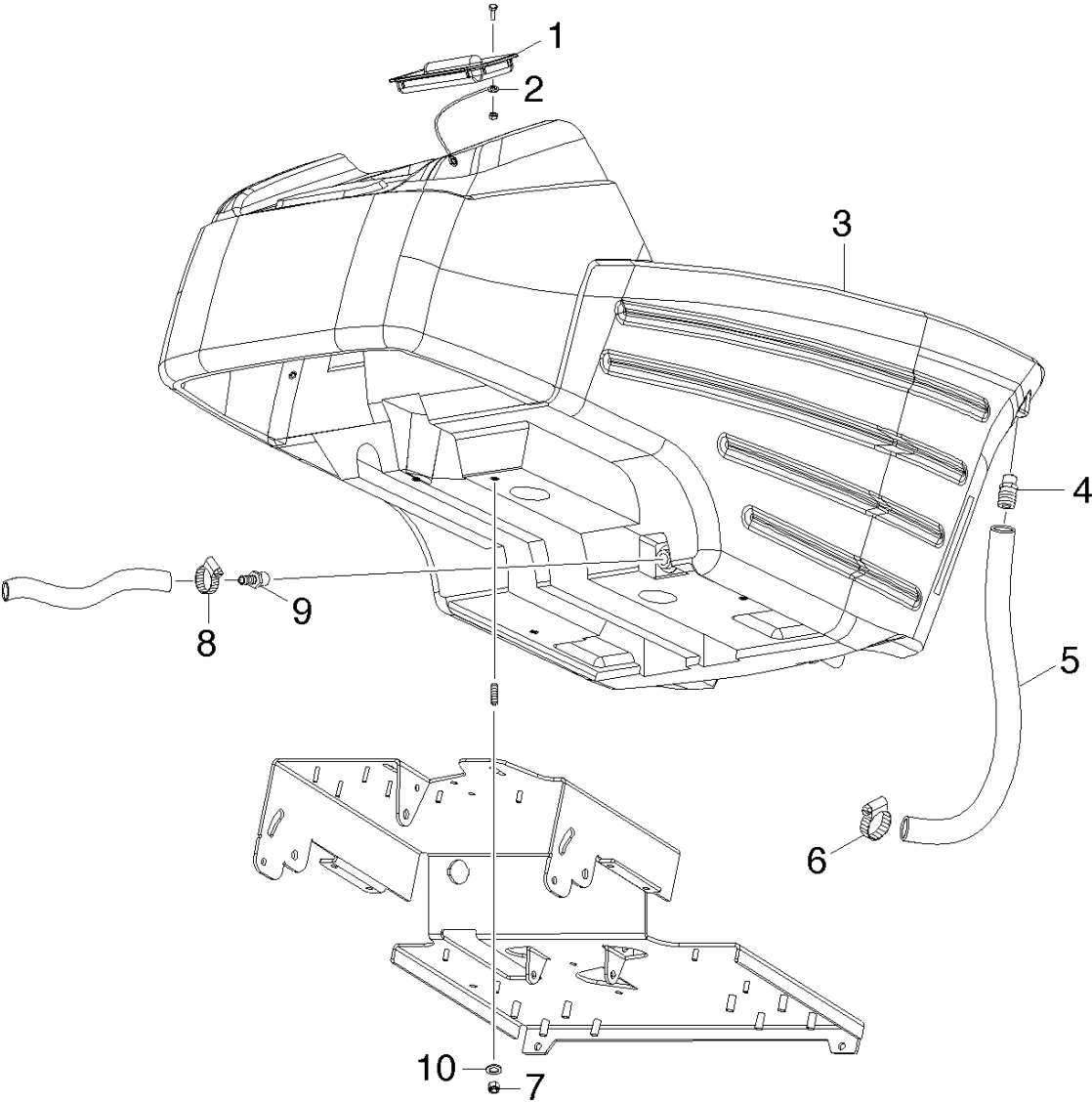
140 Fixing power brush (0.107-964.0)

ET/VT (spare/wear parts)	Pos	Material #	Name	Qty.	Unit
X-X	1	8.601-063.0	Washer 1/4 ID X 5/8 OD SS	4.000	ST
	2	8.625-940.0	Washer THRUST.51 ID X 1 ODBRO	6.000	ST



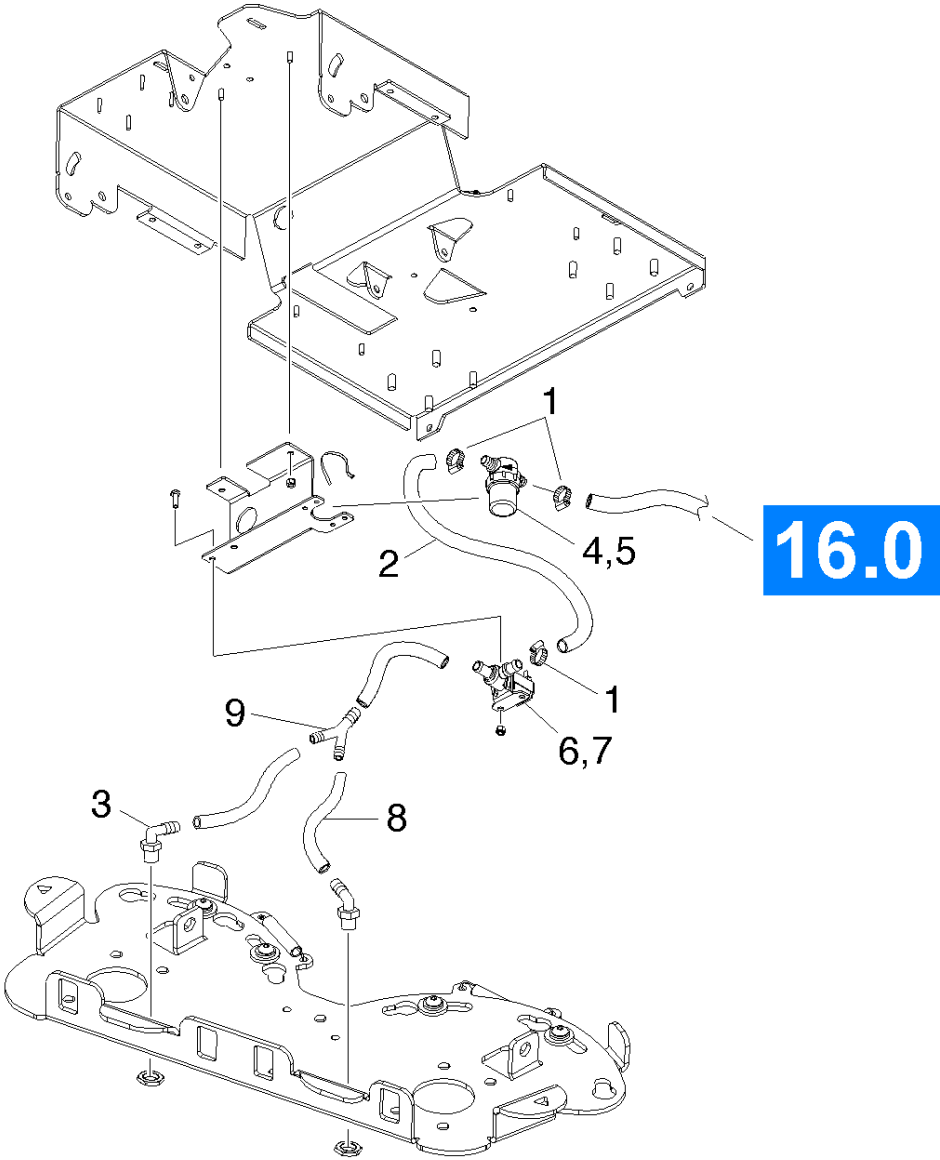
150 Power brush lifting (0.108-007.0)

ET/VT (spare/wear parts)	Pos	Material #	Name	Qty.	Unit
	1	8.627-701.0	Screw 3/8-16 X 7 HHCS SS	2.000	ST
	2	8.606-813.0	BRACKET, ACTUATOR TUBE	1.000	ST
	3	8.624-897.0	PIN, CLEVIS 3/8 X 2.00 PLTD	1.000	ST
	4	8.600-573.0	Nut 3/8-16 HEX	2.000	ST
X-X	5	8.600-563.0	NUT HEX NYL LOC-THIN SS 3/8-16	9.000	ST
X-X	6	8.600-867.0	Cotter 3/8" RING	2.000	ST
X	7	8.601-194.0	ACTUATOR, 36VDC 5.0 STRK	1.000	ST



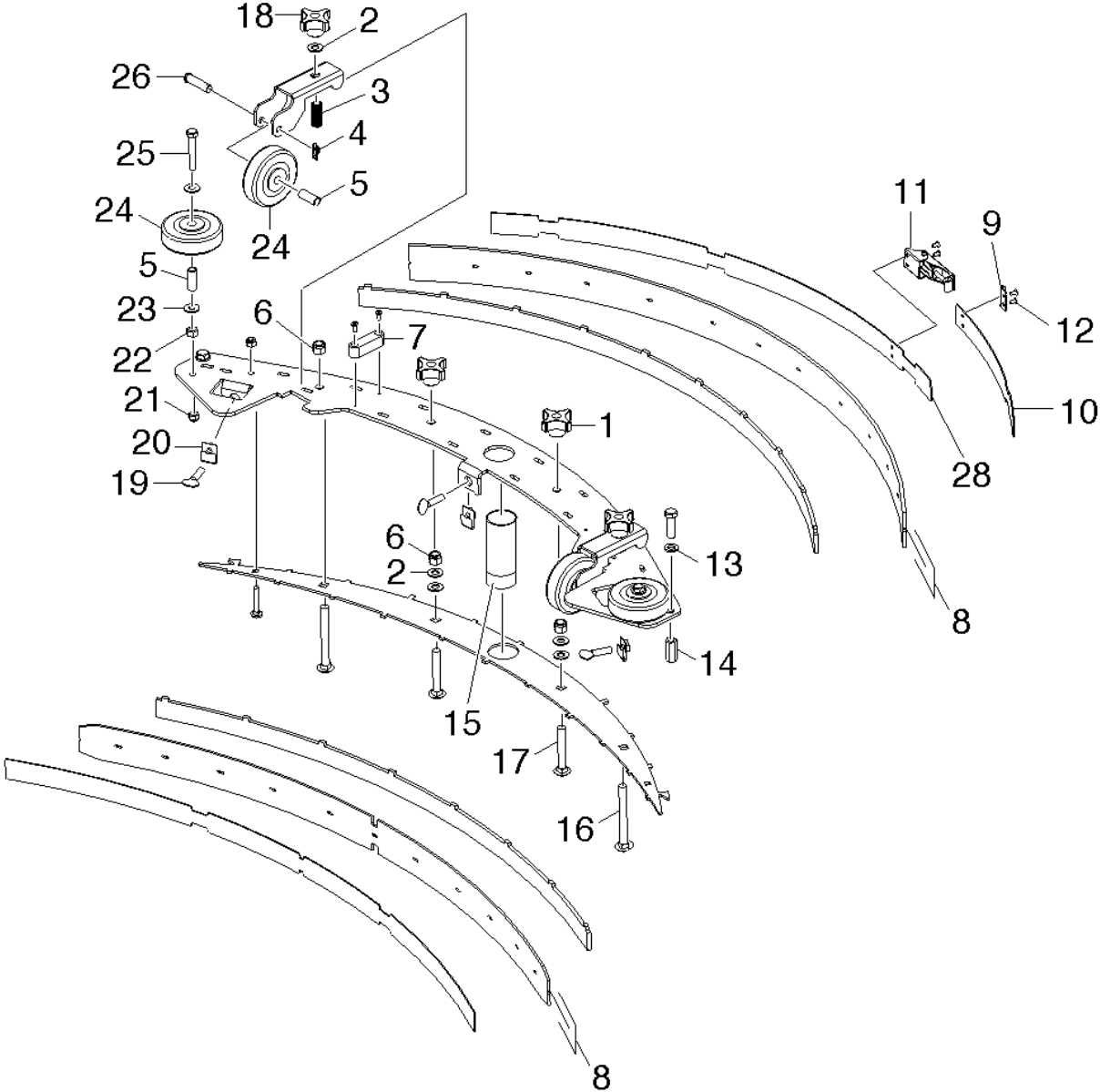
160 Fresh water tank (0.108-029.0)

ET/VT (spare/wear parts)	Pos	Material #	Name	Qty.	Unit
X	1	8.623-479.0	COVER, CLP SOLUTION	1.000	ST
X	2	8.624-608.0	LANYARD, 18.0 W/LOOP & EYE	1.000	ST
	3	8.601-336.0	TANK, SOLUTION, 36V, BLK	1.000	ST
	4	8.624-046.0	Hosebarb 1/2MPT X 1.0 HOSE	1.000	ST
	5	8.628-215.0	Hose 1IDX12WCLR28"	1.000	ST
X-X	6	8.623-311.0	CLAMP, 1.0" WORM GEAR	1.000	ST
	7	8.627-184.0	Nut 5/16-18 HEX NYLOCK THIN SS	4.000	ST
X-X	8	8.623-315.0	CLAMP, 3/8 HOSE (D-SLOT)	1.000	ST
	9	8.619-791.0	Hosebarb 1/2MPT X 1/2 POLY DL	1.000	ST
X-X	10	8.601-067.0	Washer 5/16 FLAT SS	4.000	ST



170 Brush watering (0.108-047.0)

ET/VT (spare/wear parts)	Pos	Material #	Name	Qty.	Unit
X-X	1	8.623-315.0	CLAMP, 3/8 HOSE (D-SLOT)	3.000	ST
	2	8.628-110.0	Hose 1/2ID WIRE BOUND X 7"	1.000	ST
X-X	3	8.600-155.0	HOSEBARB, 3/8MPT X3/8 90D	2.000	ST
X	4	8.600-756.0	Strainer 1/2 HOSE 20 MESH	1.000	ST
X-X	5	8.600-587.0	O-Ring seal filter SEAL RON-VIK	1.000	ST
X	6	8.600-971.0	Valve 36VDC SOL.1/2" HOSEBARB	1.000	ST
	7	8.600-346.0	Protection part SRVC PART SLND	1.000	ST
	8	8.628-082.0	Hose 3/8ID NYLOBRD X 10"	2.000	ST
	9	8.600-358.0	FITTING, 1/2"X3/8~X3/8~ RED. T	1.000	ST

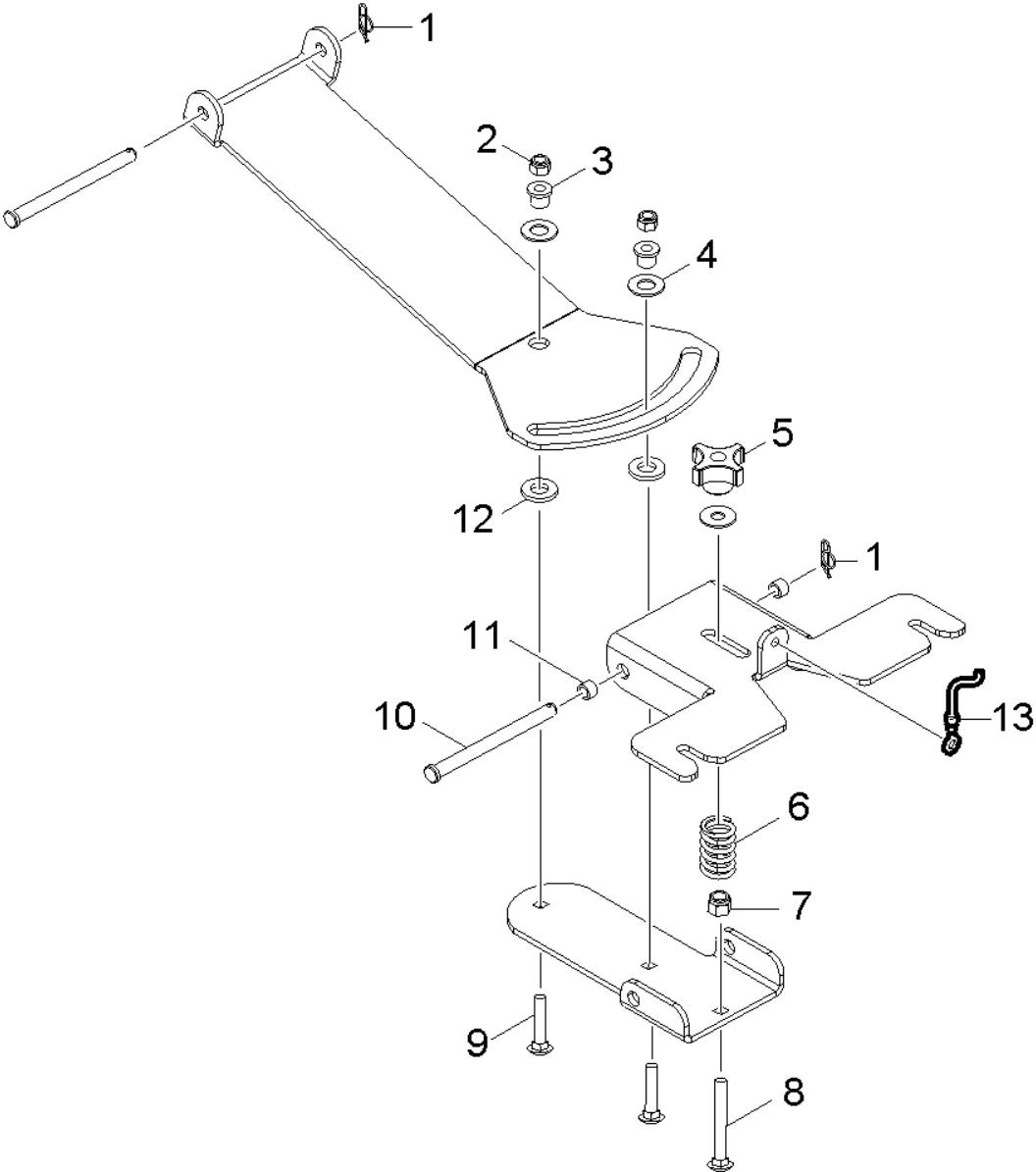


180 Suction bar (0.108-048.0)

ET/VT (spare/wear parts)	Pos	Material #	Name	Qty.	Unit	var. information	Footnote text
X-X	1	8.600-920.0	KNOB, 3/8-16 4 PRONG ALUM	2.000	ST		
X-X	2	8.601-068.0	Washer 3/8 ID X 3/4 OD NYLON	6.000	ST		
X	3	8.600-778.0	Spring COMP .60D X2.0L X.045W	2.000	ST		
X-X	4	8.600-866.0	Cotter 5/16" RING	2.000	ST		
X	5	8.600-135.0	BUSHING, SPANNER .435 X 1.10	4.000	ST		
X-X	6	8.600-563.0	NUT HEX NYL LOC-THIN SS 3/8-16	4.000	ST		
	7	8.600-991.0	VIAL, LEVEL	1.000	ST		
X-X	8	8.629-200.0	KIT, SIDE SQUEEGEE BLADE	1.000	ST	1120 mm	
X-X	8	8.634-352.0	KIT, SQUEEGEE BLADES BD 80/120	1.000	ST		OIL RESISTANT
X-X	9	8.600-918.0	STRIKER, SQUEEGEE STRAP REAR	1.000	ST		
X	10	8.600-133.0	BAND, SQUEEGEE REAR (S)	1.000	ST		
X-X	11	8.600-917.0	LATCH, SQUEEGEE STRAP	1.000	ST		
X-X	12	8.600-640.0	Rivet 5/32 OF X 1/8 GRIP	4.000	ST		
X-X	13	8.601-079.0	Washer 3/8 SPLIT LOCK PLTD	2.000	ST		
	14	8.600-584.0	Nut 3/8-16 HEX COUPLING SS	2.000	ST		
	15	8.600-839.0	TUBE ASM, SQUEEGEE VAC	1.000	ST		
X	16	8.627-699.0	Screw 3/8-16 X 3.5 CARRIAGE SS	2.000	ST		
X	17	8.627-687.0	Screw 3/8-16 X 2.50 CARRIAGE SS	2.000	ST		
	18	8.600-489.0	KNOB,ALUM 3/8-16 NYLOCK NUT SS	2.000	ST		
X	19	8.600-704.0	Screw 5/16-18X1 THUMB SS TYPE P	3.000	ST		
X	20	8.627-182.0	NUT, 5/16-18 X .028-.056PR CAGE	3.000	ST		
	21	8.627-184.0	Nut 5/16-18 HEX NYLOCK THIN SS	2.000	ST		
	22	8.600-565.0	Nut 5/16-18 HEX	2.000	ST		
X-X	23	8.601-067.0	Washer 5/16 FLAT SS	4.000	ST		
X-X	24	8.601-102.0	Wheel 3" DIA CUSHION RUBBER	4.000	ST		

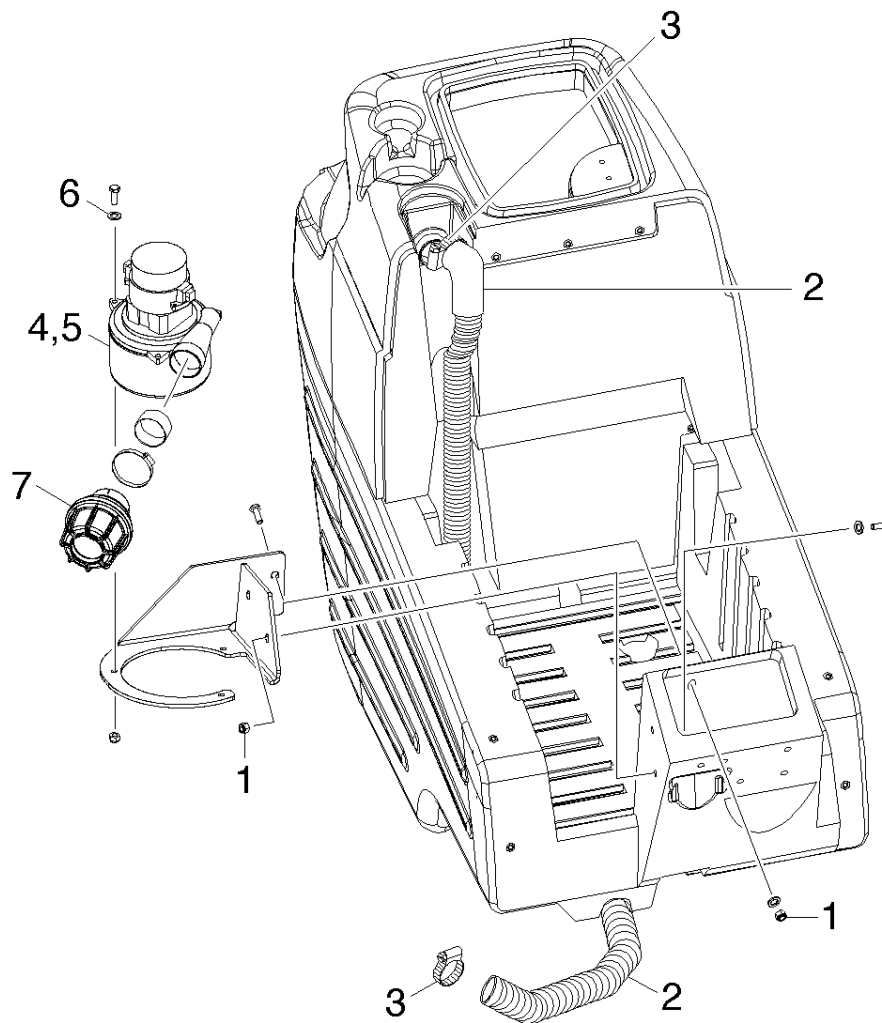
180 Suction bar (0.108-048.0)

ET/VT (spare/wear parts)	Pos	Material #	Name	Qty.	Unit	var. information	Footnote text
X-X	25	8.627-698.0	Screw 5/16-18 X 2 HHCS SS	2.000	ST		
X-X	26	8.600-627.0	PIN, CLEVIS 5/16 X 1.63 PLTD	2.000	ST		
X	28	8.606-636.0	BAND, SQUEEGEE REAR	1.000	ST		



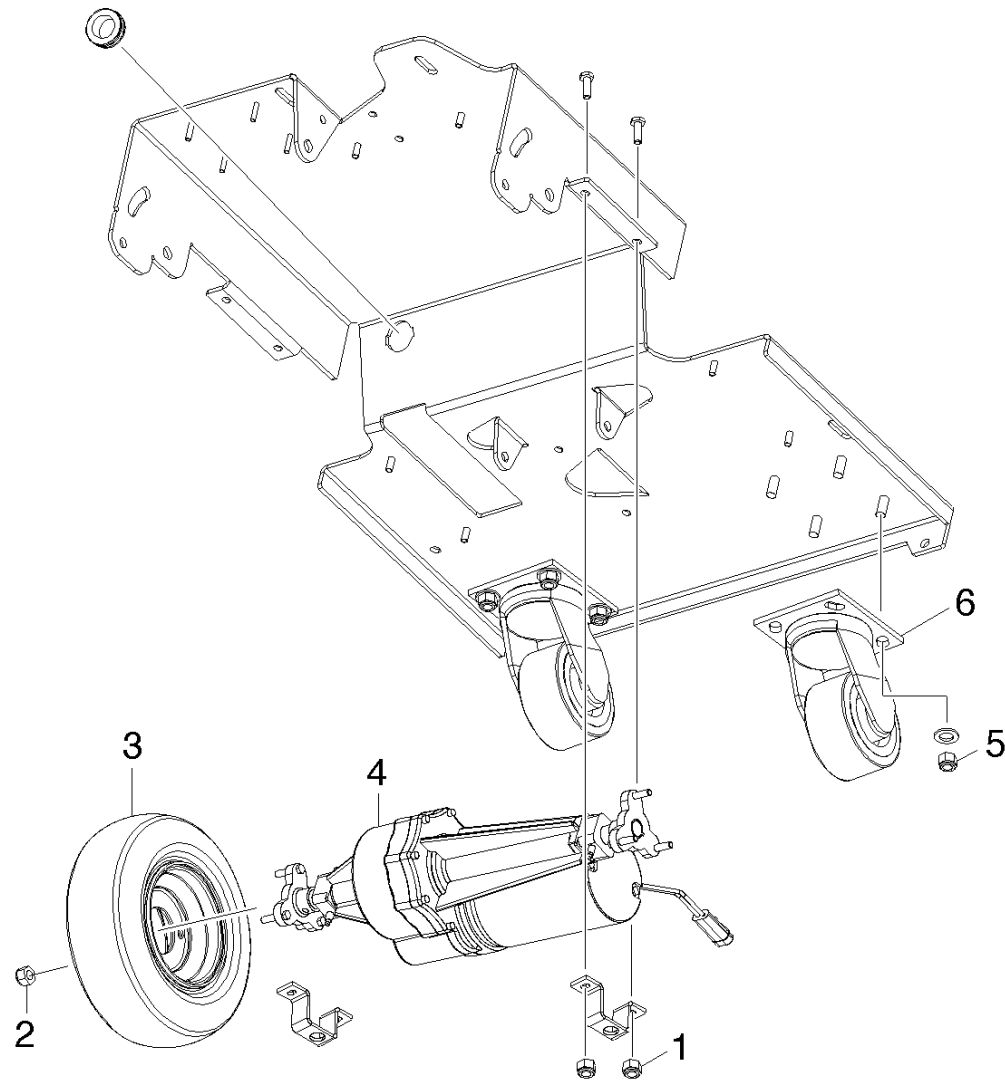
190 Suction beam retraction (0.108-104.0)

ET/VT (spare/wear parts)	Pos	Material #	Name	Qty.	Unit
X-X	1	8.600-867.0	Cotter 3/8" RING	2.000	ST
	2	8.627-184.0	Nut 5/16-18 HEX NYLOCK THIN SS	2.000	ST
X	3	8.622-884.0	Bearing FLANGED.314IDX.502OD	2.000	ST
	4	8.625-941.0	Washer THRUST.51 ID X1ODX.063	2.000	ST
X-X	5	8.600-920.0	KNOB, 3/8-16 4 PRONG ALUM	1.000	ST
	6	8.600-727.0	Spring COMP 1.100DX2.0LX.148W	1.000	ST
X-X	7	8.600-563.0	NUT HEX NYL LOC-THIN SS 3/8-16	1.000	ST
X	8	8.627-687.0	Screw 3/8-16 X 2.50 CARRIAGE SS	1.000	ST
	9	8.627-713.0	Screw 5/16-18X1.00 CARRIAGE SS	2.000	ST
	10	8.624-906.0	PIN, CLEVIS 3/8 X 4.63 PLTD	1.000	ST
	11	8.600-887.0	BEARING,FLANGED 3/8" ID 11/16~	2.000	ST
	12	8.625-940.0	Washer THRUST.51 ID X 1 ODBRO	2.000	ST
X	13	8.600-324.0	Cable .125X26.5,0707,SS,LB,E-E	1.000	ST



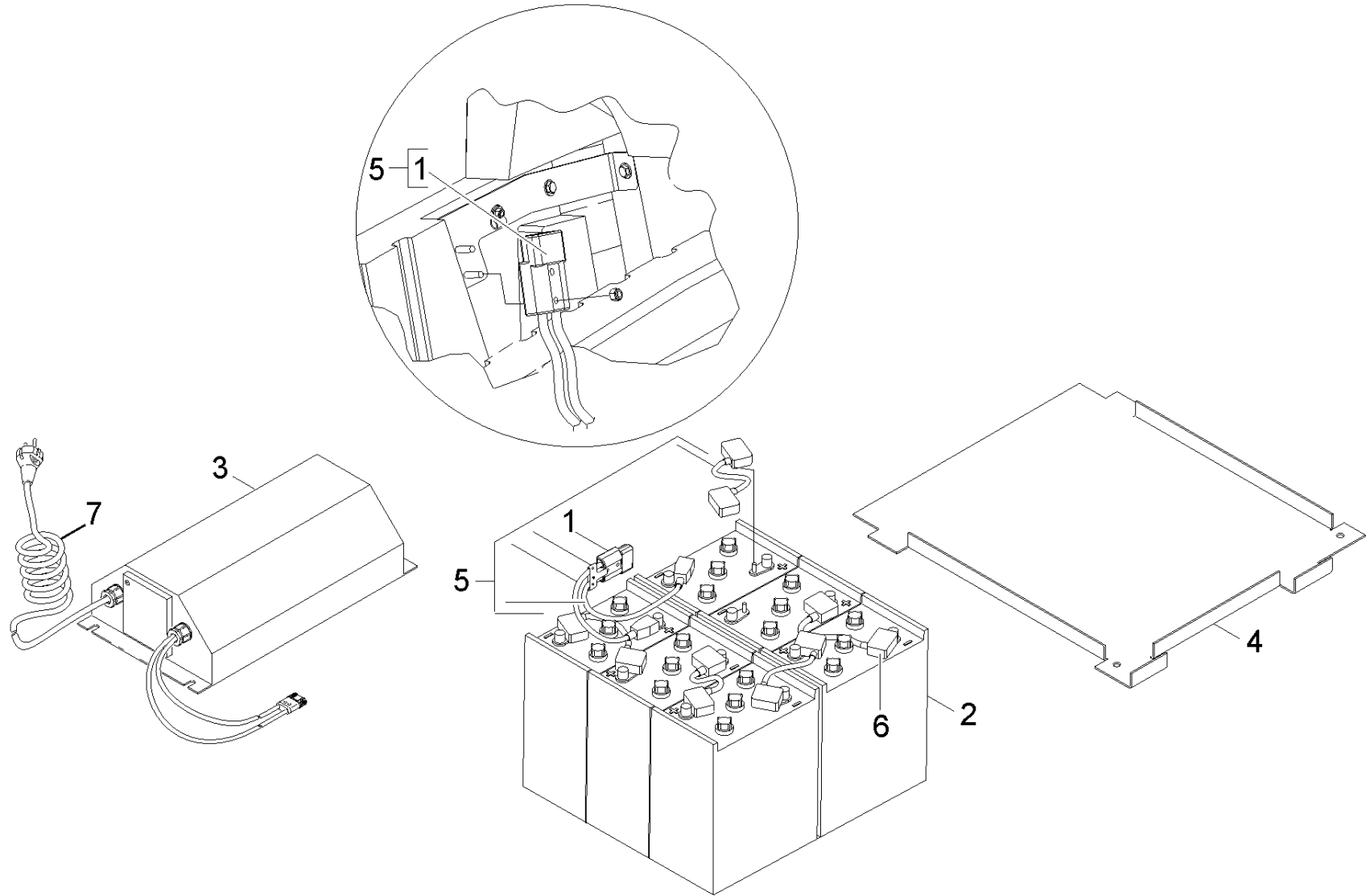
200 Aspiration (0.108-735.0)

ET/VT (spare/wear parts)	Pos	Material #	Name	Qty.	Unit
X-X	1	8.600-563.0	NUT HEX NYL LOC-THIN SS 3/8-16	3.000	ST
X-X	2	8.600-162.0	Hose assembly 1.5 BLK VAC X 67	1.000	ST
X-X	3	8.600-240.0	Binder 2.0" WORM GEAR X .312W	2.000	ST
X-X	4	8.600-545.0	VAC MOTOR ASM, 36VDC 3 STAGE	1.000	ST
X-X	5	8.632-698.0	BRUSH SET 24/36V VAC WINDSOR	1.000	ST
X-X	6	8.601-063.0	Washer 1/4 ID X 5/8 OD SS	3.000	ST
	7	8.606-491.0	MUFFLER, VAC MOTOR	1.000	ST



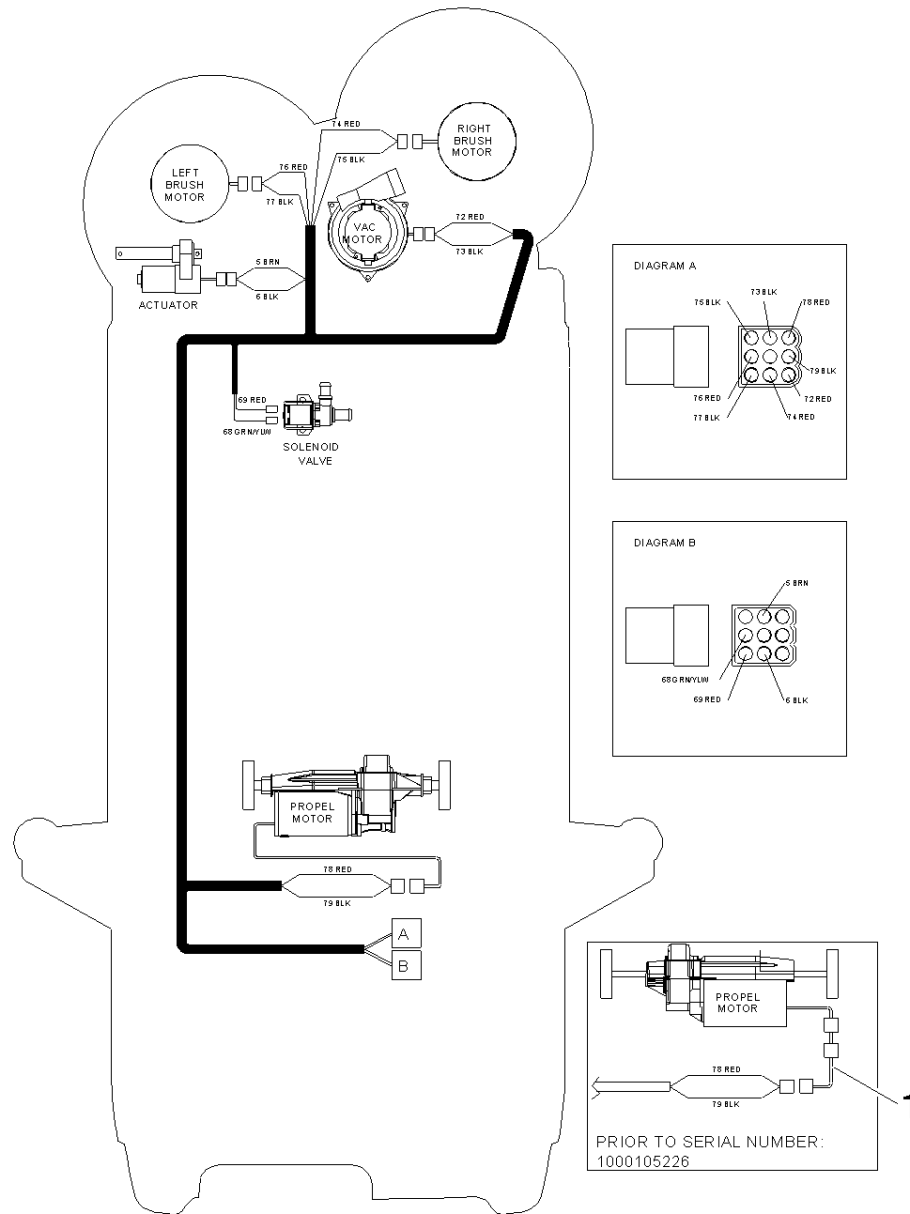
210 Carriage (0.108-740.0)

ET/VT (spare/wear parts)	Pos	Material #	Name	Qty.	Unit
	1	8.627-184.0	Nut 5/16-18 HEX NYLOCK THIN SS	4.000	ST
	2	8.601-009.0	Nut wheel 7/16-20 WHEEL PLTD	6.000	ST
X-X	3	8.601-037.0	WHEEL ASM, 12" FMFL BLK KNOBBY	2.000	ST
	4	8.600-077.0	AXLE, MOTOR DRIVE 36VDC	1.000	ST
X-X	5	8.627-088.0	NUT, 3/8-16 SERRATED FLG	8.000	ST
X-X	6	8.600-231.0	CASTER, 4DIA X 2 W X 3.56 R	2.000	ST



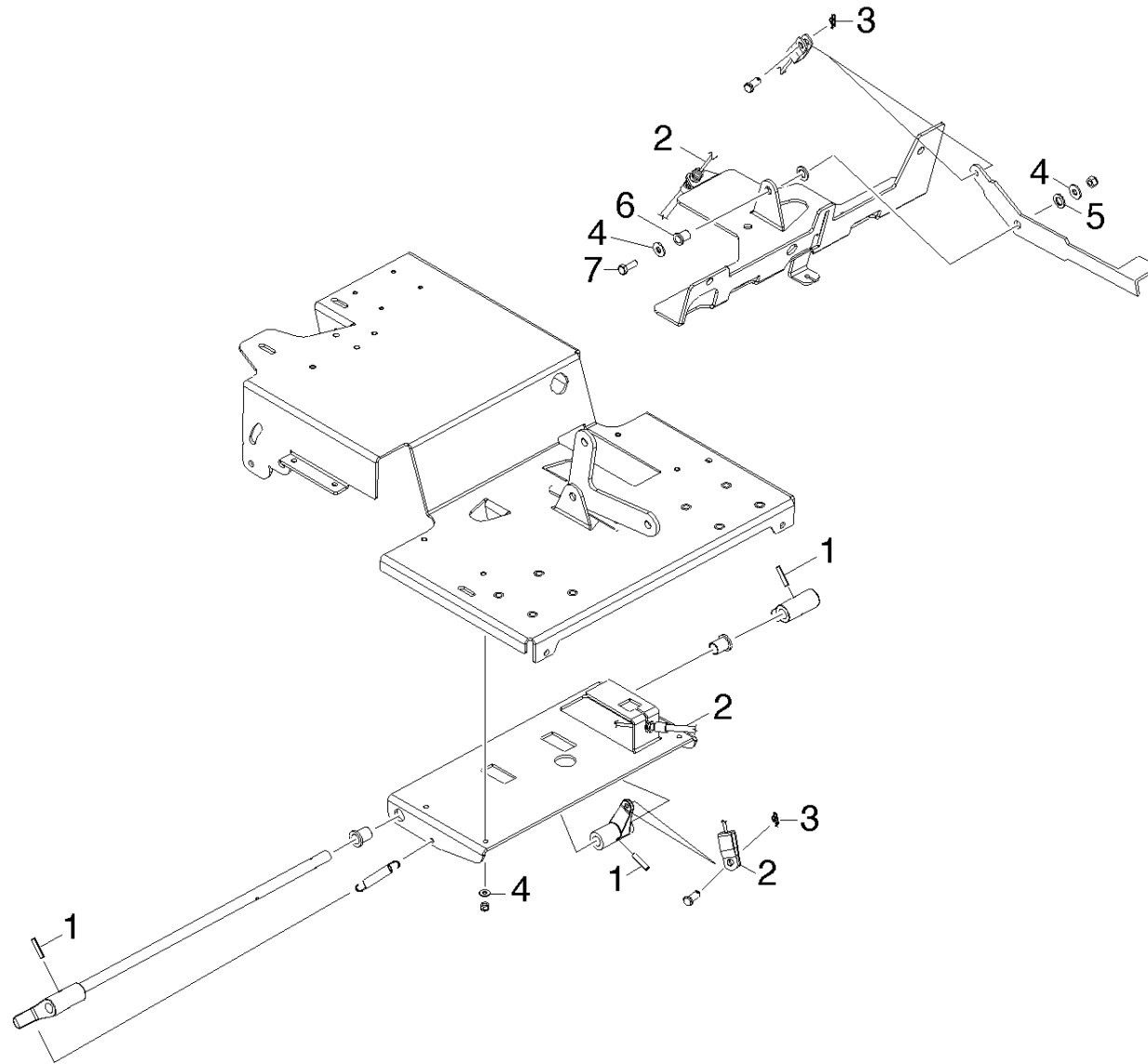
220 Battery (0.108-776.0)

ET/VT (spare/wear parts)	Pos	Material #	Name	Qty.	Unit	Footnote text
	1	8.600-876.0	CONNECTOR 175 DCA GRY W/O TERMS	1.000	ST	
X-X	2	6.654-124.0	Battery DETA	6.000	ST	
	3	6.654-232.0	Battery charger	1.000	ST	
	4	5.039-060.0	Holder battery BD 80/120W Bp Pack	1.000	ST	
	5	8.629-364.0	KIT, BATT CON, BD 80/120W	1.000	ST	
	6	8.600-251.0	CABLE ASM, BAT. JUMPER X 15"	5.000	ST	QUANTITY ACCORDING TO DEMAND
X-X	7	6.650-113.0	Power cable only for replacement	1.000	ST	



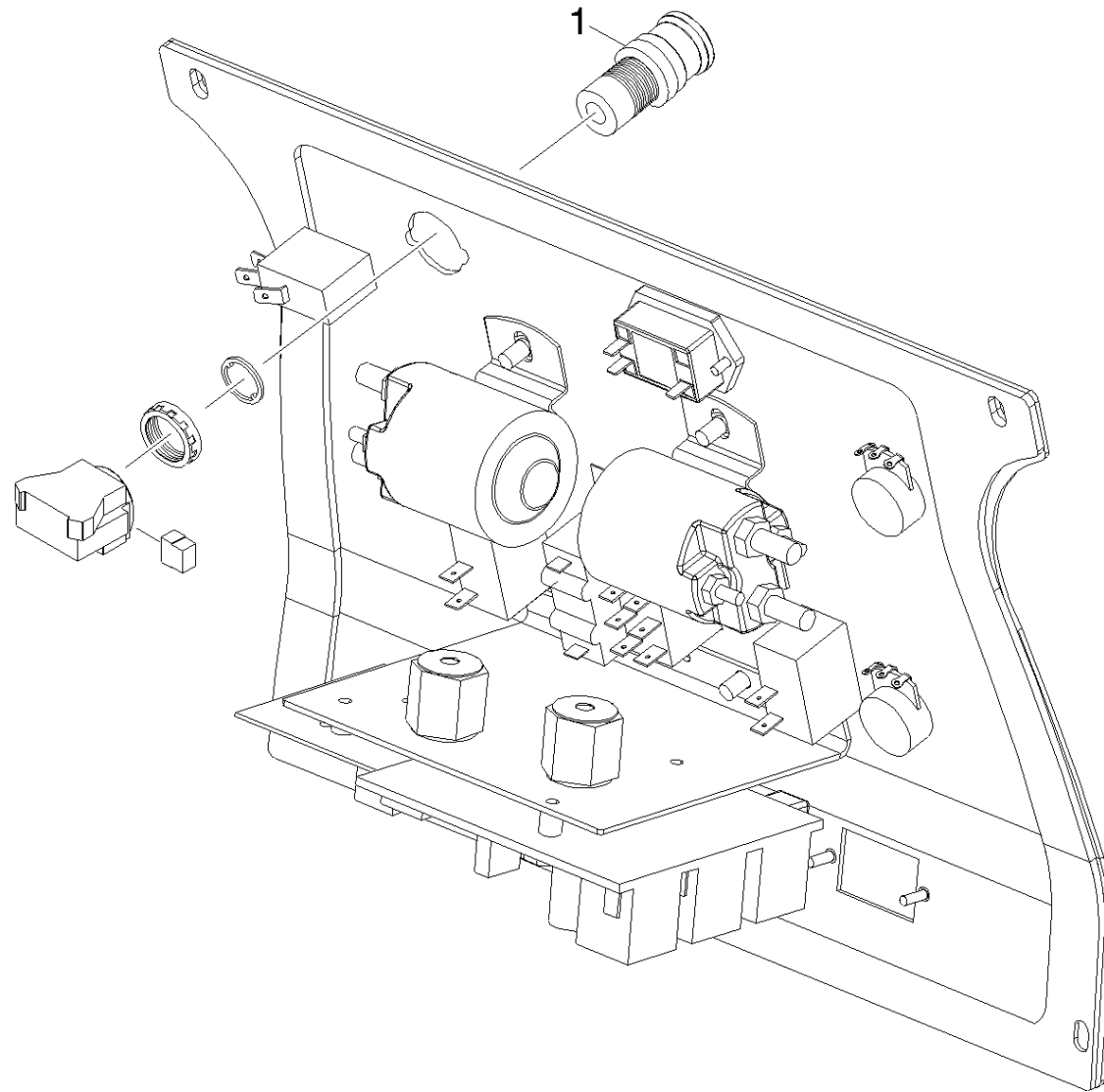
230 Cable harness (0.108-777.0)

Pos	Material #	Name	Qty.	Unit
1	8.626-040.0	WIRE ASM, REV POLARITY JUMPER	1.000	ST



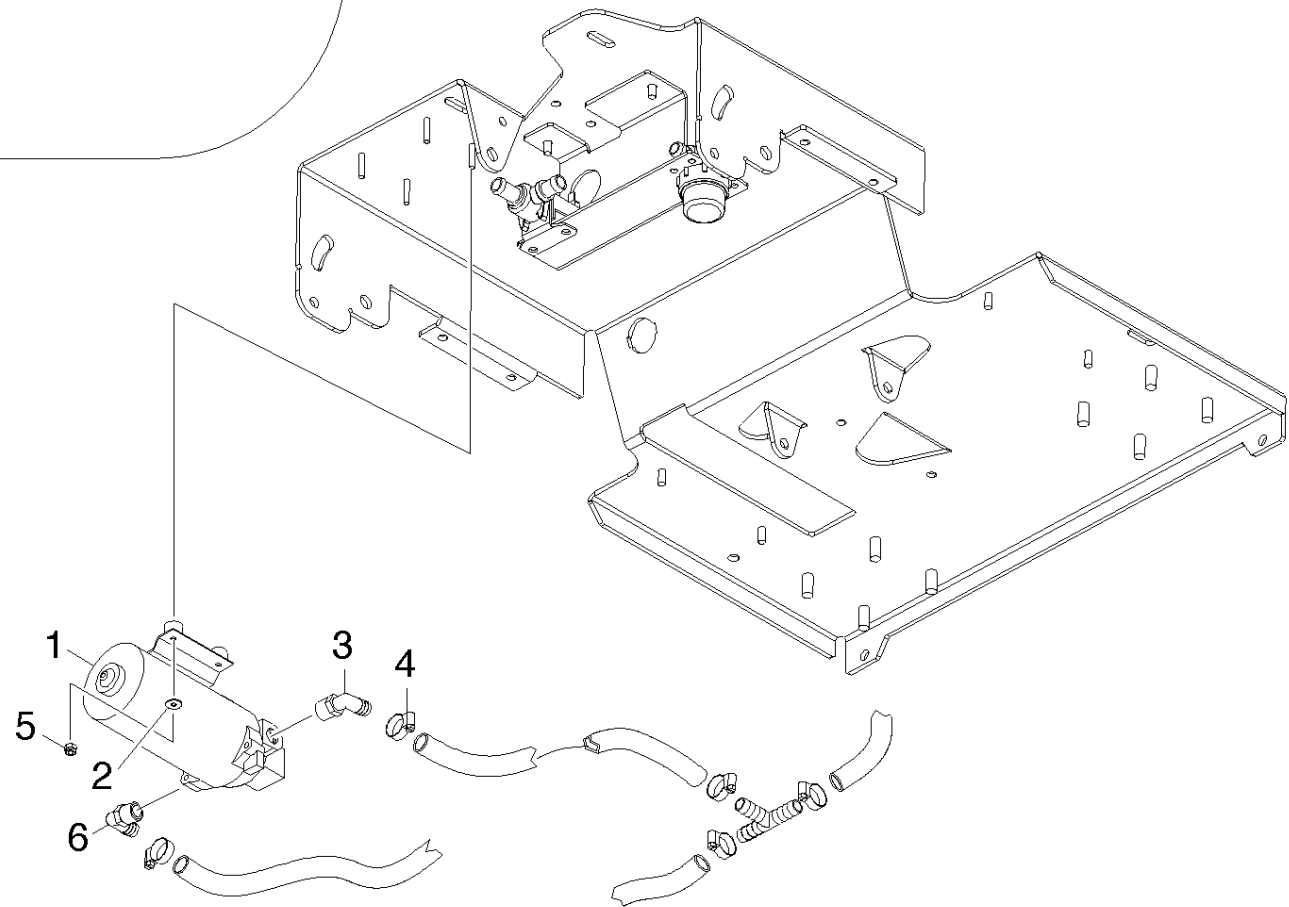
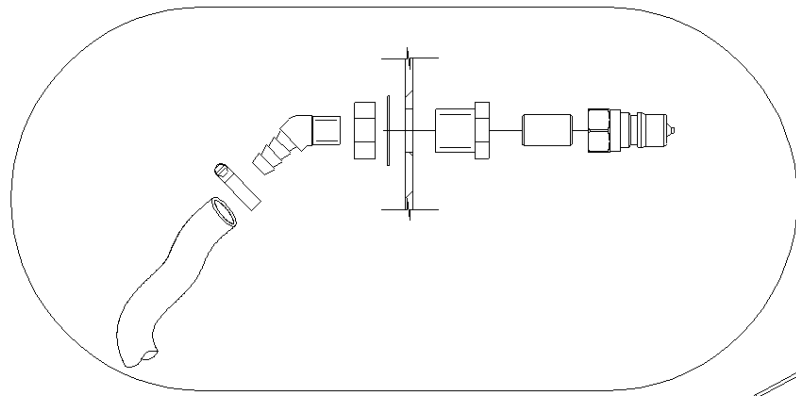
240 Brake (0.108-778.0)

ET/VT (spare/wear parts)	Pos	Material #	Name	Qty.	Unit
X	1	8.600-622.0	PIN, ROLL 1/4 X 1.25L	3.000	ST
	2	8.623-182.0	CABLE, PARK BRAKE	1.000	ST
X-X	3	8.600-866.0	Cotter 5/16" RING	2.000	ST
X-X	4	8.601-063.0	Washer 1/4 ID X 5/8 OD SS	6.000	ST
	5	8.625-940.0	Washer THRUST.51 ID X 1 ODBRO	2.000	ST
	6	8.622-890.0	BEARING FLANGED .252IDX.503OD	1.000	ST
	7	8.627-382.0	Screw 1/4-20 X 1.25 HHCS SS	1.000	ST



250 Pushbutton emergency stop (0.108-779.0)

Pos	Material #	Name	Qty.	Unit
1	8.600-718.0	Switch EMERGENCY STOP	1.000	ST

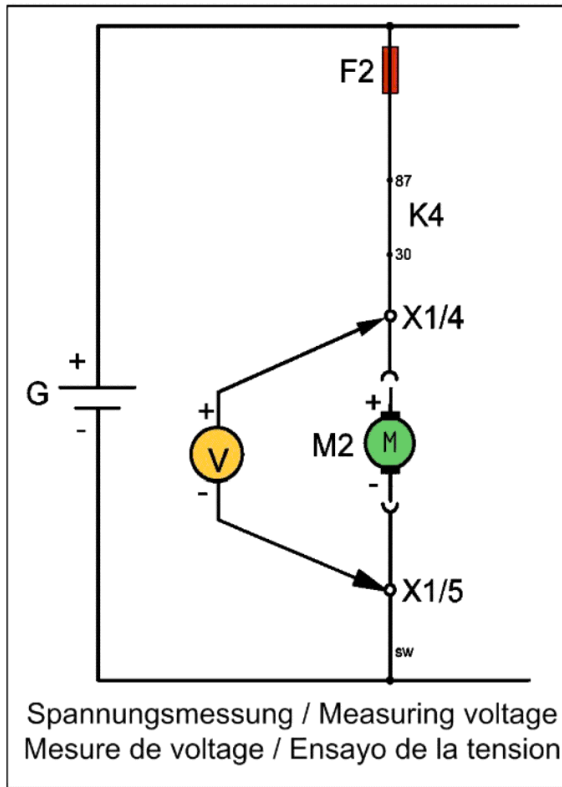
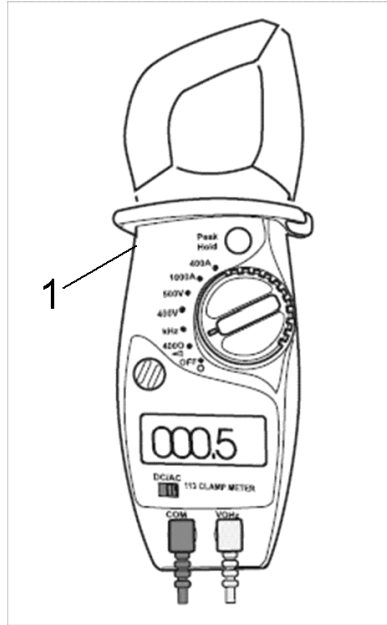


260 Accessories pump (0.108-780.0)

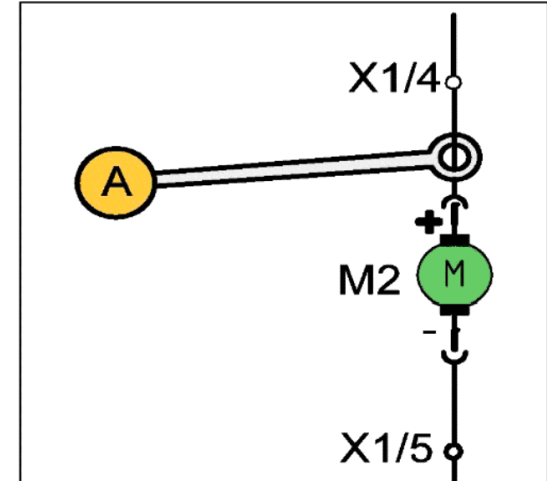
ET/VT (spare/wear parts)	Pos	Material #	Name	Qty.	Unit
X-X	1	8.600-610.0	PUMP ASM, 36V ACCESSORY	1.000	ST
X-X	2	8.601-065.0	Washer #10 X 9/16 OD	4.000	ST
X	3	8.619-794.0	HOSEBARB, 3/8MPTX1/2 90D DL	1.000	ST
X-X	4	8.623-315.0	CLAMP, 3/8 HOSE (D-SLOT)	6.000	ST
	5	8.627-099.0	Nut 10-32 HEX NYLOCK SS	4.000	ST
X-X	6	8.600-155.0	HOSEBARB, 3/8MPT X3/8 90D	1.000	ST

300 Special tools (0.120-572.0)

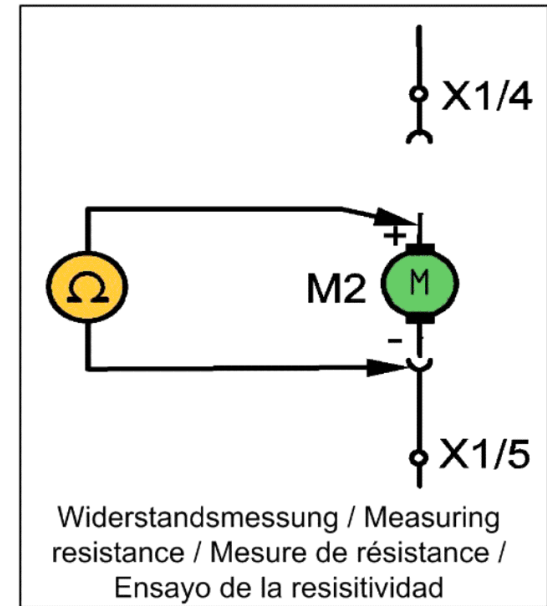
Pos	Name	Qty.	Unit
200	Tool measuring instrument current AC/DC,	1.000	ST
210	Tool tool - extractor system Molex	1.000	ST
220	Tool potentiometer DC	1.000	ST
230	Tool magnetic field tester	1.000	ST
240	Tool tester electric Metraterster5	1.000	ST



Spannungsmessung / Measuring voltage
Mesure de voltage / Ensayo de la tension



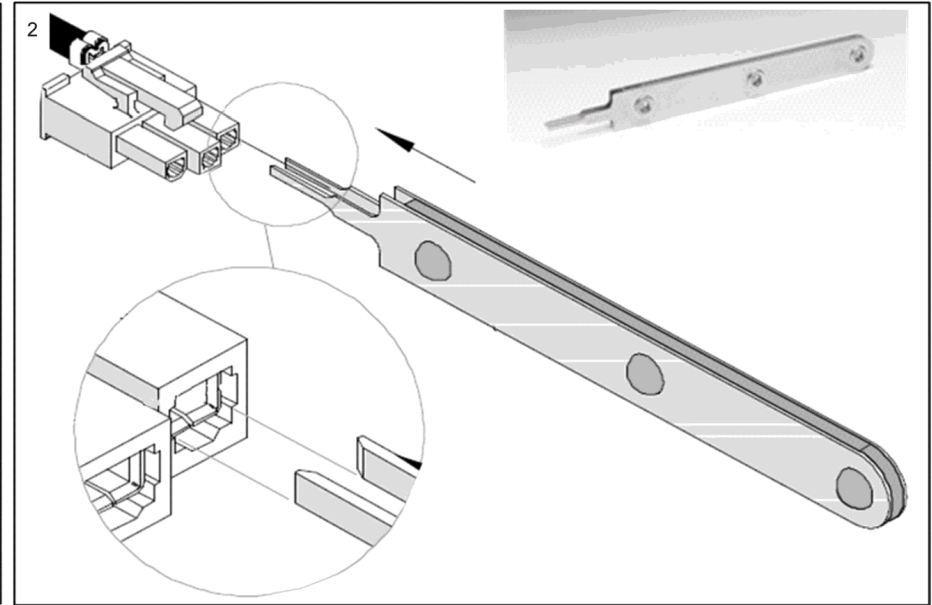
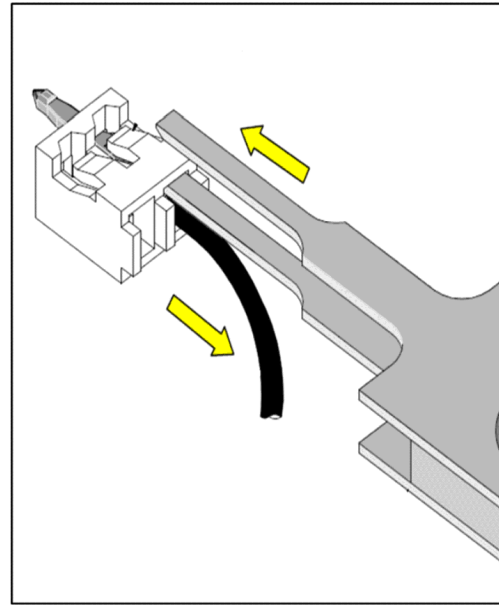
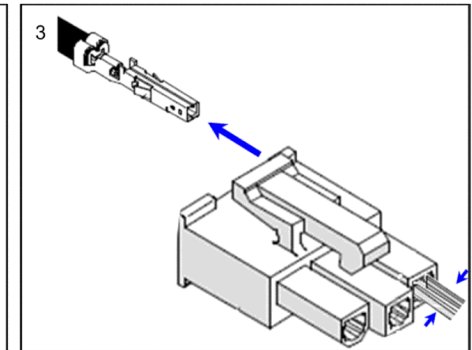
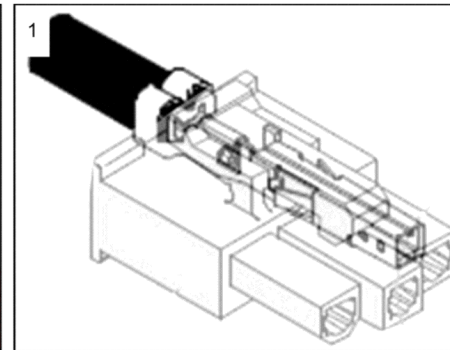
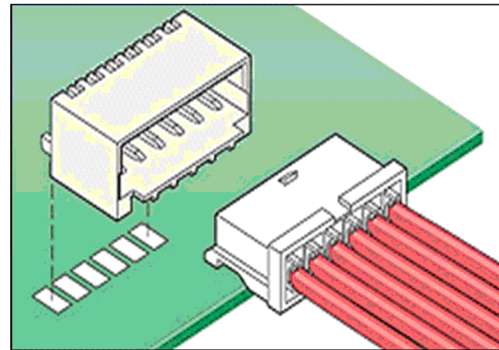
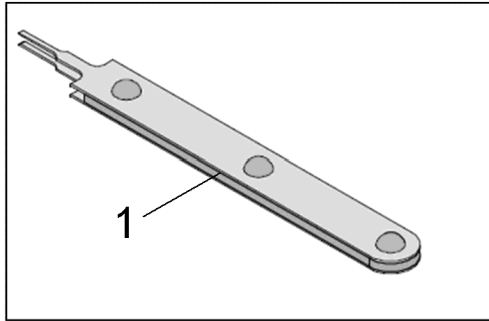
Strommessung / Measuring electrical
current / Mesure de courant / Ensayo
de la corriente



Widerstandsmessung / Measuring
resistance / Mesure de résistance /
Ensayo de la resisitividad

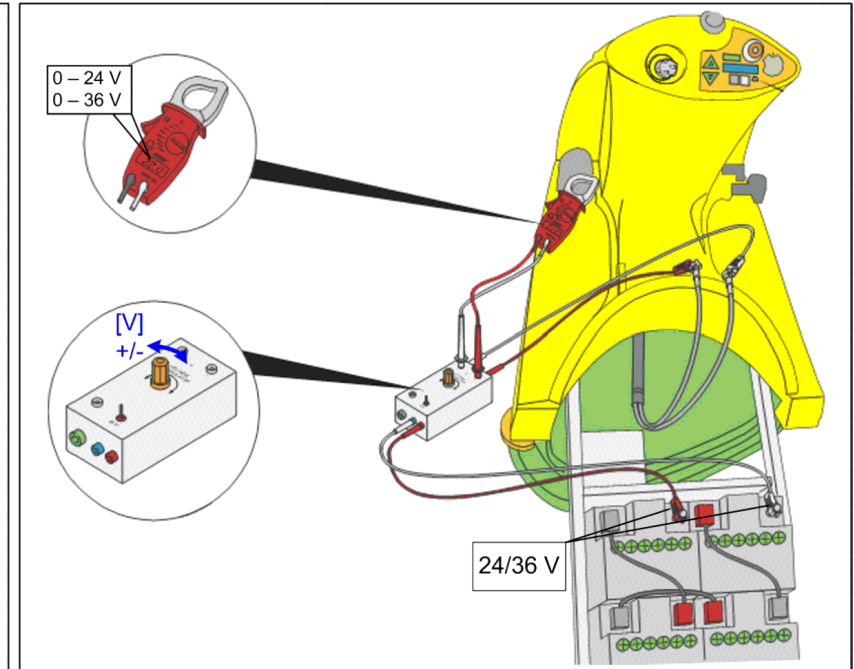
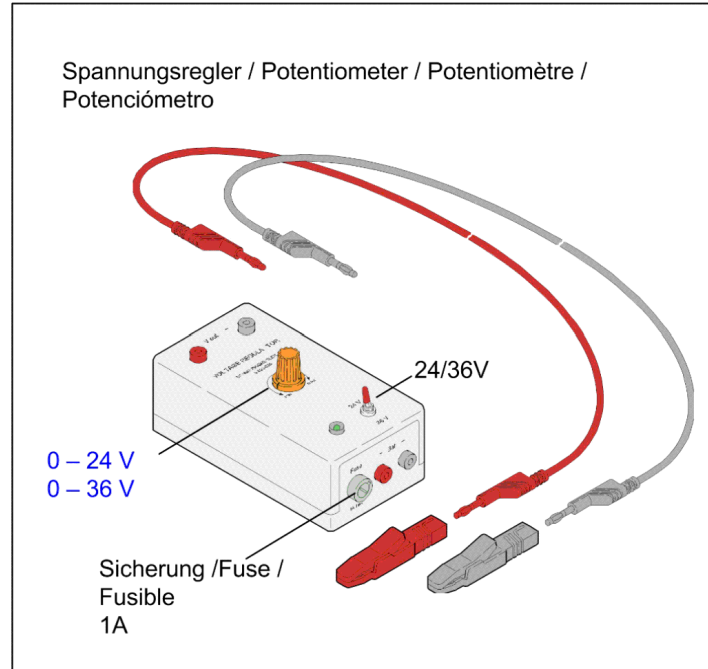
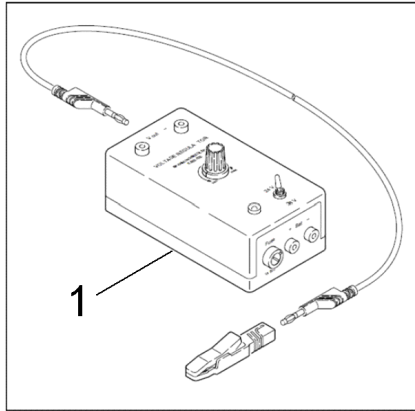
200 Tool measuring instrument current AC/DC, (0.120-008.0)

Pos	Material #	Name	Qty.	Unit
1	6.803-022.0	Clamp meter AC/DC,A,V,Ohm	1.000	ST



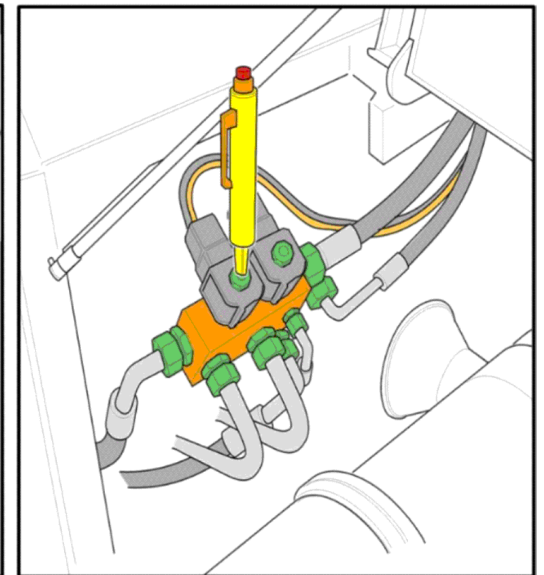
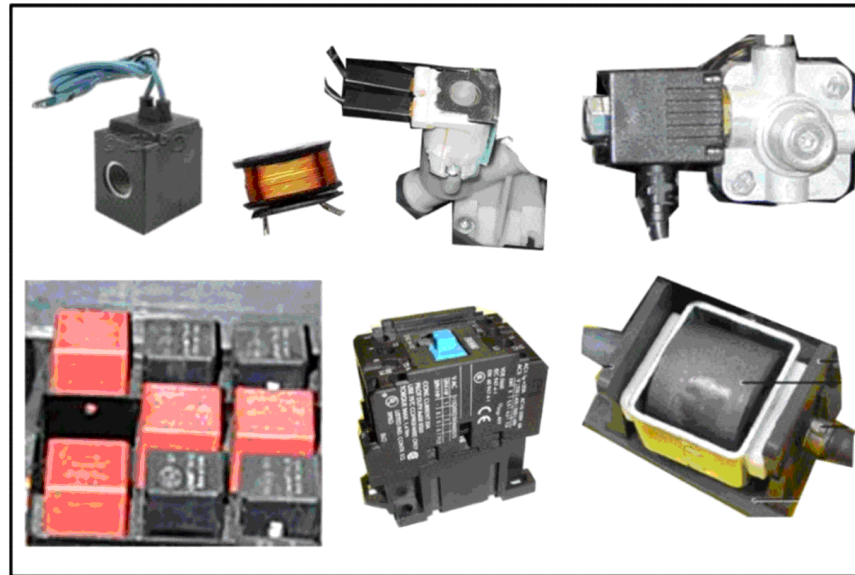
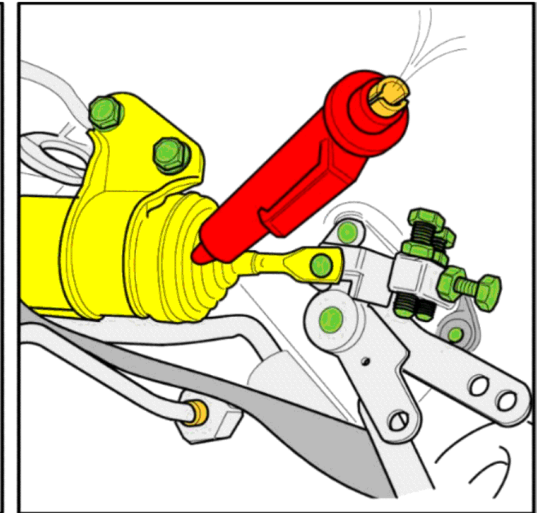
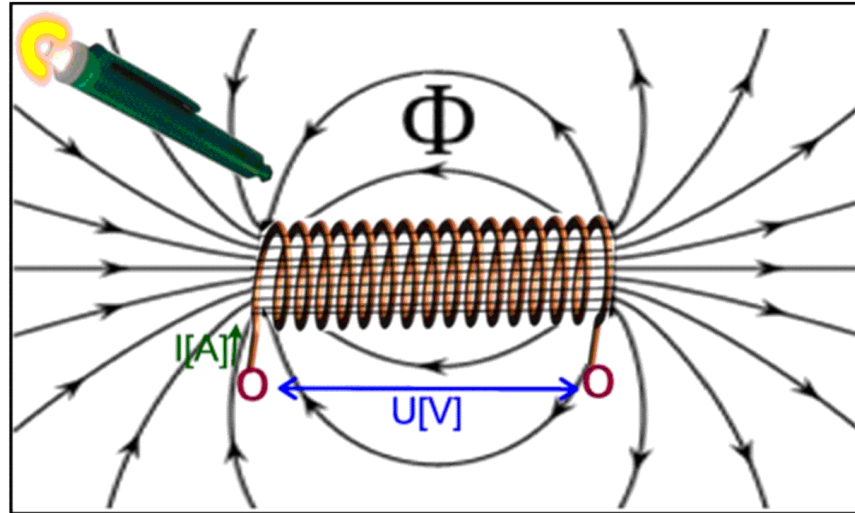
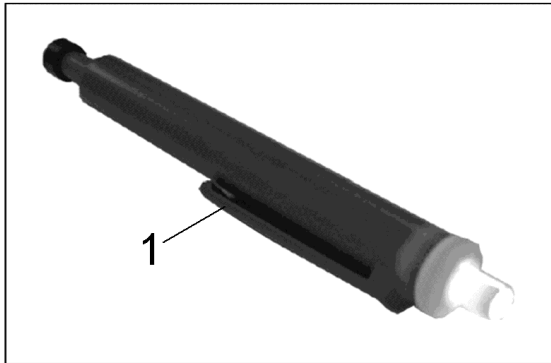
210 Tool tool - extractor system Molex (0.120-082.0)

Pos	Material #	Name	Qty.	Unit
1	6.816-086.0	Pliers Molex	1.000	ST



220 Tool potentiometer DC (0.120-088.0)

Pos	Material #	Name	Qty.	Unit
1	6.803-025.0	Voltage tester 24/36V,DC	1.000	ST



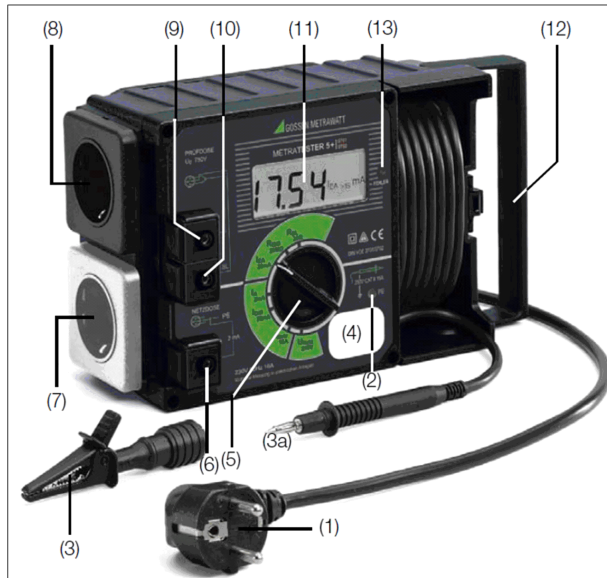
230 Tool magnetic field tester (0.120-104.0)

Pos	Material #	Name	Qty.	Unit
1	6.803-003.0	Magnet tester	1.000	ST



Das Prüfgerät ist zum Prüfen und Messen an instandgesetzten oder geänderten elektrischen Geräten nach DIN VDE 0701 oder DIN VDE 0702 bestimmt. Gemäß diesen Vorschriften müssen nach einer Instandsetzung oder Änderung elektrischer Geräte der Schutzleiterwiderstand, der Isolationswiderstand, der Ersatz-Ableitstrom und bei Datenverarbeitungs-Einrichtungen und Büromaschinen die Spannungsfreiheit berührbarer leitfähiger Teile gemessen werden.

The tester is intended for the testing and measurement of repaired or modified electrical devices in accordance with DIN VDE 0701-702. These regulations require the measurement of protective conductor resistance, insulation resistance and equivalent leakage current for repaired or modified electrical devices, as well as testing for the absence of voltage at exposed, conductive parts for data processing systems and office machines.



(2) Signallampe PE zur Prüfung des Netzschutzleiters
Die Signallampe PE leuchtet, wenn zwischen der berührten Kontaktfläche (4) und dem Schutzkontakt des Netzanschlusstekers (1) eine Potentialdifferenz von ≥ 100 V besteht.

(3) Krokodilklemme (Greifklemme zum Aufstecken auf die Prüfspitze)
Mit der Krokodilklemme schließen Sie, zur Messung des Schutzleiterwiderstandes, das Gehäuse des Prüflings an. Achten Sie dabei auf guten Kontakt.

(4) Kontaktfläche für Fingerkontakt
Beim Berühren der Kontaktfläche leuchtet die Signallampe (2), wenn zwischen dem Schutzleiter PE des Netzanschlusstekers (1) und der berührten Kontaktfläche eine Potentialdifferenz von ≥ 100 V besteht. Die Kontaktfläche ist von allen Anschlüssen und von der Messschaltung galvanisch getrennt und entspricht somit der Schutzklasse III

Prüfen des Schutzleiterpotentials
Berühren Sie mit dem Finger die Kontaktfläche (4) und gleichzeitig ein geerdetes Teil (z.B. Wasserleitung). Die Signallampe PE (2) darf dabei nicht leuchten! Das Potential zwischen dem Schutzleiter des Netzanschlusstekers (1) und der Kontaktfläche (4) ist dann ≤ 100 V.

(2) PE Signal Lamp for Protective Conductor Testing
The PE signal lamp lights up, if a potential difference of ≥ 100 V occurs between the contacting surface (4) and the earthing contact at the mains plug (1).

(3) Alligator clip (gripper clip for attachment to the test probe)
Connect the housing of the device under test with the alligator clip for measurement of protective conductor resistance.

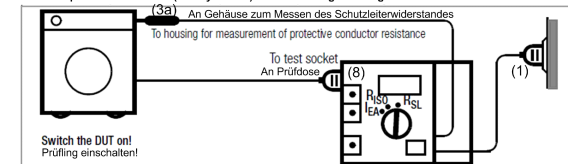
(4) Contacting Surface for Contact Finger
The PE signal lamp (2) lights up, if a potential difference of ≥ 100 V occurs between the PE protective conductor at the mains plug (1) and the contacting surface. The contacting surface is electrically isolated from all terminals, as well as from the measuring circuit, and thus conforms to protection class III!

Testing Protective Conductor Potential
Bring the contact finger into contact with the contacting surface (4) and, at the same time, with a grounded object (e.g. a water pipe). The PE signal lamp (2) must not light up! Potential between the mains plug protective conductor (1) and the contacting surface (4) is then ≤ 100 V.

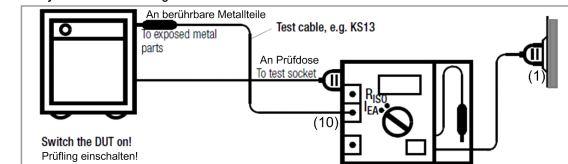
Anschließen des Prüflings (A) an das Prüfgerät
Für die Messung von Schutzleiterwiderstand, Isolationswiderstand und Ersatz-Ableitstrom

Connecting the Device Under Test to the Test Instrument
for the measurement of protective conductor resistance, insulation resistance and equivalent leakage current

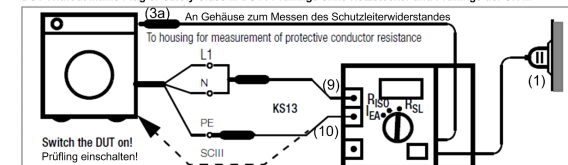
DUT with protective conductor (Safety Class I) and Mains Plug / Prüflinge der Schutzklasse I mit Netzstecker



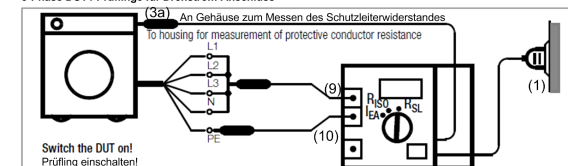
Safety Class II DUT / Prüflinge der Schutzklasse II



DUT Without Mains Plug or Safety Class III DUT / Prüflinge ohne Netzstecker und Prüflinge der SK III



3-Phase DUT / Prüflinge für Drehstrom-Anschluss



240 Tool tester electric Metrater5 (0.120-160.0)

Pos	Material #	Name	Qty.	Unit
1	6.803-034.0	Electrical tester Metrater5	1.000	ST
