



Spare parts list

(12590010) B 80 W Bp

(12590020) B 80 W Bp PACK

(12590030) B 80 W Bp DOSE

(12590040) B 80 W Bp PACK DOSE

DE HINWEISE

Weitere Sprachen:

Diese Ersatzteilliste ist in weiteren Sprachen erhältlich. Sie erhalten diese unter www.kaercher.com im Bereich Service.

Die Schreibweise der Teilenummer, z.B. 75456380, entspricht der Teilenummer 7.545-638.0.

Mengenangaben:

Die Mengenangaben in der Ersatzteilliste entsprechen den in der Baugruppe verbauten Stückzahlen der Bauteile.

Meterware:

Ersatzteile welche als Meterware geliefert werden sind auf Einbaulänge selbst zu kürzen. Die Stückzahlen sind als Mindestbestellmenge =1m angegeben und müssen je nach Bedarf auf weitere volle Meterzahlen erhöht werden.

Versionen/ Werknummern:

Sind Versionen oder Werknummern in der Ersatzteilliste angegeben, ist anhand dieser vor Bestellung zu prüfen, welches Bauteil für ihr Gerät verwendet werden muss.

Lackierte Teile:

Bei Bestellungen von lackierten Teilen welche in der Ersatzteilliste nicht in verschiedenen Farben ausgewiesen sind, ist zusätzlich die Farbnummer oder Farbe mit anzugeben.

Technische Änderungen:

Technische Änderungen sowie das Recht der ausschließlichen Auswertung unseres geistigen Eigentums behalten wir uns vor.

EN INSTRUCTIONS

Other languages:

This list of spare parts is also available in other languages. You can get this list from www.kaercher.com in the Service division.

The designation of the part number e.g. 75456380 is equal to 7.545-638.0.

Quantity details:

The quantity details in the spare parts list correspond to the number of pieces of the component installed in the assembly group.

Piece goods:

Spare parts that are sold as piece goods are to be cut to the desired length. The quantities have been indicated as minimum order quantity =1m and must be rounded off to the full meter figure depending on your requirements.

Version/ Plant numbers:

If version or plant numbers are mentioned in the spare parts list, then use the same to check before ordering which spare part needs to be used for your appliance.

Painted parts:

While ordering painted parts that are not mentioned in the spare parts list in their colour variations, please mention the colour number or the colour you require.

Technical changes:

We reserve the right to make technical changes as well as the right to exclusive use of our intellectual property.

FR REMARQUES

Autres langues:

Cette liste de pièces de rechange est disponible en autres langues. Cela est disponible sous www.kaercher.com dans le menu Service.

La désignation du numéro de pièce, par ex. 75456380, correspond au numéro de pièce 7.545-638.0.

Indications de quantité:

Les indications de quantité dans la liste de pièces de rechange correspondre aux nombres de pièces des composants utilisées dans la construction.

Matériel au mètre:

Les pièces de rechange qui sont livrées au mètre doivent être raccourcies à longueur souhaitée par l'acheteur même. Les nombres des pièces sont indiquées en quantité de commande minimale = 1m et doivent être augmentés selon le besoin à une chiffre de mètre complète.

Versions/ Numéros d'usine:

Lorsqu'il sont indiquées des versions ou des numéros d'usine dans la liste de pièces de rechange, vous devez vérifier que composant doit être utilisé pour votre appareil.

Pièces laquées:

Pour commander des pièces laquées, où les différentes couleurs ne sont pas indiquées dans la liste des pièces de rechange, vous devez indiquer en plus le numéro de la couleur ou seulement la couleur.

Modifications techniques:

Nous nous réservons la possibilité des modifications techniques ainsi le droit d'exploitation exclusive de notre propriété intellectuelle.

IT AVVERTENZE

Altre lingue:

Il presente elenco di parti di ricambio è disponibile sul nostro sito Web anche in altre lingue: sotto www.kaercher.com alla voce "Service".

L'indicazione del codice pezzo, ad es. 75456380, corrisponde al codice pezzo 7.545-638.0

Indicazioni di quantità:

Le indicazioni di quantità riportate dall'elenco "parti di ricambio" corrispondono al numero delle singole componenti contenute nella rispettiva unità.

Merce a metro:

Le parti di ricambio fornite come "merce a metro" devono venire in seguito accorciate alla lunghezza necessaria per il montaggio. La quantità unitaria è indicata come "quantità minima di ordinazione = 1m" e deve all'occorrenza venire moltiplicata per il numero intero di metri necessari.

Versioni / Numeri di fabbricazione:

Quando l'elenco "parti di ricambio" riporta diverse versioni o numeri di fabbricazione, confrontare la versione o il numero di fabbricazione del ricambio desiderato con quelle/i presenti nell'elenco e indicarla/o al momento dell'ordinazione.

Parti di ricambio verniciate:

Nel caso di ricambi verniciati, se l'elenco parti di ricambio non ne riporta espressamente i diversi colori, al momento dell'ordinazione è necessario indicare anche il colore o il numero del colore desiderato.

Modifiche tecniche:

Ci riserviamo il diritto di apportare modifiche tecniche così come il diritto di utilizzo esclusivo della nostra proprietà intellettuale.

ES INDICACIONES

Otros idiomas:

La lista de piezas de repuesto se puede adquirir en otros idiomas. La puede adquirir en www.kaercher.com en el área de servicios.

La notación de los números de las piezas, p.ej. 75456380 corresponde al número de pieza 7.545-638.0.

Cantidades:

Las indicaciones de cantidades de la lista de piezas de repuesto corresponden al número de piezas montadas en el componente.

Mercancía por metros:

Las piezas de repuesto que se suministran por metros se pueden cortar al largo deseado. La unidad mínima de pedido es de = 1 m y el número de metros completos se puede aumentar según necesidad.

Versiones/números de fábrica:

Si se indica la versión o número de fábrica en la lista de piezas de repuesto, se debe comprobar en ella la pieza a usar para su aparato antes de realizar el pedido.

Piezas lacadas:

Al realizar pedidos de piezas lacadas que no estén indicadas en los diferentes colores en la lista de piezas de repuesto, se debe indicar también la referencia del color o el color.

Modificaciones técnicas:

Reservados los derechos de realizar modificaciones técnicas y aprovechar nuestra propiedad intelectual.

PL WSKAZÓWKI

Pozostałe języki:

Ta lista części zamiennych jest dostępna w także w innych językach. Mogą ją Państwo pobrać ze strony www.kaercher.com w dziale Serwis.

Sposób zapisywania numeru części, np. 75456380, odpowiada numerowi części 7.545-638.0.

Dane ilości:

Dane ilości podane w liście części zamiennych odpowiadają liczbie sztuk podzespołów tworzących dany moduł.

Towar sprzedawany na metry:

Części zamienne dostarczane jako towar sprzedawany na metry po zamontowaniu należy samodzielnie skrócić do potrzebnej długości. Liczba sztuk podana jest jako minimalna ilość zamówienia = 1m i w zależności od potrzeb zwiększa się ją o kolejne pełne metry.

Wersje/ Numer zakładu:

Jeżeli w liście części zamiennych podane są wersje lub numery zakładu, przed zamówieniem na ich podstawie należy sprawdzić, który podzespół stosuje się w Państwa urządzeniu.

Części lakierowane:

W przypadku zamówień części lakierowanych, które w liście części zamiennych nie podano w wielu kolorach, należy dodatkowo zaznaczyć nr koloru lub kolor.

Zmiany techniczne:

Zastrzegamy sobie prawo do zmian technicznych oraz wyłącznego wykorzystywania naszej własności intelektualnej.

RU УКАЗАНИЯ:

Другие языки:

Данный список запасных частей также доступен на других языках. Вы найдете его на сайте www.kaercher.com в разделе Service
Маркировка номера детали, например, 75456380, соответствует номеру детали 7.545-638.0.

Указание количества:

Количественные данные в списке запасных частей соответствуют числу компонентов, входящих в состав узлов.

Товар, продаваемый на метры:

Запасные части, продающиеся на метры, необходимо обрезать до нужной длины. Число изделий указано в виде минимального объема заказа = 1м и их количество можно округлить до требуемого по мере необходимости.

Варианты исполнения/заводские номера:

Если варианты исполнения или заводские номера указаны в списке запасных частей, то перед заказом необходимо проверить, какая деталь подходит для вашего устройства.

Лакированные детали:

При заказе лакированных деталей, варианты расцветки которых не указаны в списке запасных частей, необходимо дополнительно указать номер цвета или необходимый для вас цвет.

Технические изменения:

Мы оставляем за собой право на технические изменения, а также право на исключительное использование нашей интеллектуальной собственности.

CONTENT LIST

1.0 Appliance individual parts

- 1.1 Individual parts
- 1.2 Battery
- 1.3 Electricics

2.0 Water tank

- 2.1 Water tank
- 2.2 Cap of a tank
- 2.3 Valves
- 2.4 Metering unit chemistry

3.0 Transmission

- 3.1 Carriage AMER
- 3.2 Carriage ASI

4.0 Operating element

- 4.1 Control system
- 4.2 Control console
- 4.3 Switch

5.0 Suction bar

- 5.1 Suction bar
- 5.2 Suction bar bracket

6.0 Power brush lifting

7.0 Suction hose

1.0 Appliance individual parts

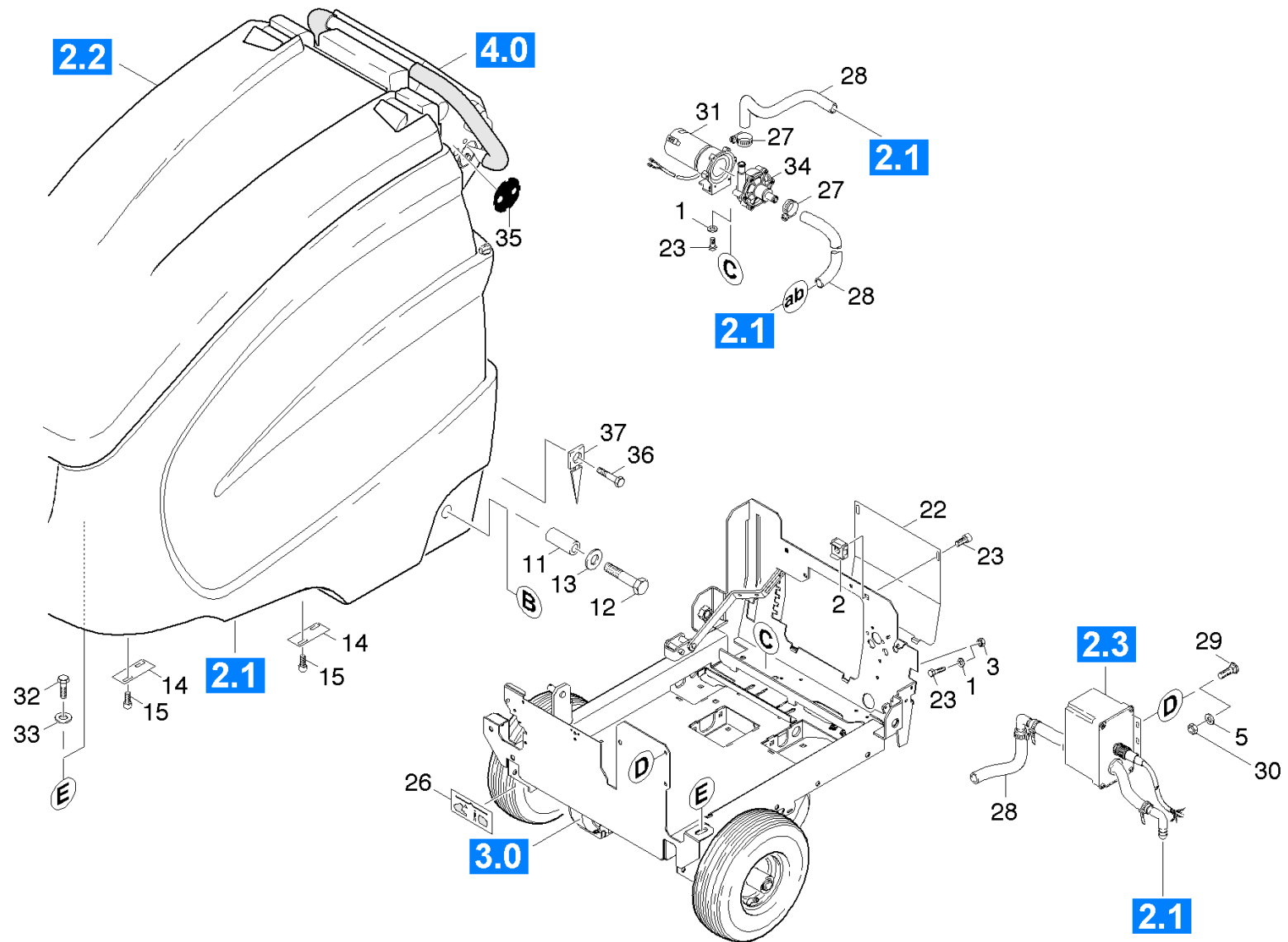
1.1 Individual parts

1.2 Battery

1.3 Electricics



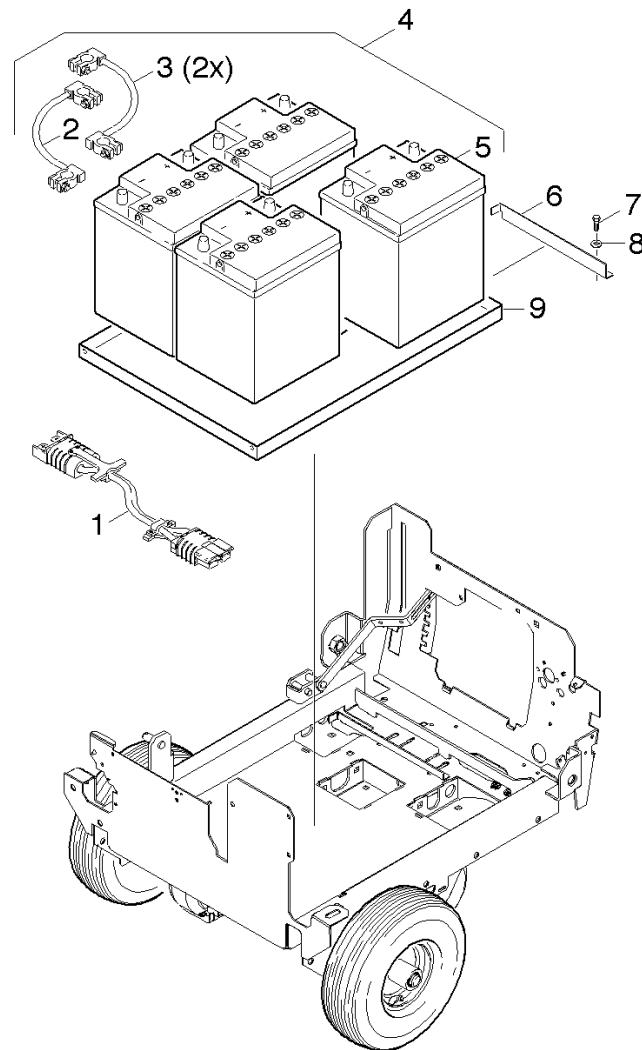
1.1 Individual parts



1.1 Individual parts

POS	DESCRIPTION ADDITIONAL INFORMATIONS	PART NO	QTY.	FROM SER.NR.	UP TO SER. NR.
1	Washer 5-200HV-A3E ISO 7090	73120020	3		
2	Cage nut M 5	63100590	3		
3	Hexagon nut M5 -8-A2E ISO 4032	73110020	2		
5	Washer 6 -200HV-A3E ISO 7090	73120030	3		
11	Sleeve	51108860	2		
12	Hexagonal head screw M16x60-A4-70 ISO 4	73040020	2		
13	Washer 16-200HV-A3E ISO7090	73120190	2		
14	Sheet metal component fixing cable	50071630	2		
15	Screw 5x16 -10.9-P2R (K-In6Rd)	73031070	4		
22	Sheet metal component	50497320	1		
23	Cylinder head screw M5x12-4.8-A2E ISO 1	73064430	5		
26	Label LADEN/BETR.	53805920	1		
27	Hose clip	63885450	1		
28	Hose DN12,5 TO ORDER AS CUT GOODS BD	63882480	1		
28	Hose TO ORDER AS CUT GOODS BR	63889770	1		
29	Saucer-head screw M6x20 -A2 DIN 603	73031390	3		
30	Hexagon nut M6 -8-A2E ISO 4032	73110030	3		
31	Motor complete	46237060	1		
32	Hexagonal head screw M8x20-A4-70 ISO 40	73045160	1		
33	Washer 8-A2 ISO 7089	73120170	1		
34	Pump head 1/2" VERSION 2	44730120	1		
35	Label plug	53843810	1		
36	Screw M5x10 -St-P2R (In6Rd)	73030370	1		
37	Grounding tongue	66002650	1		

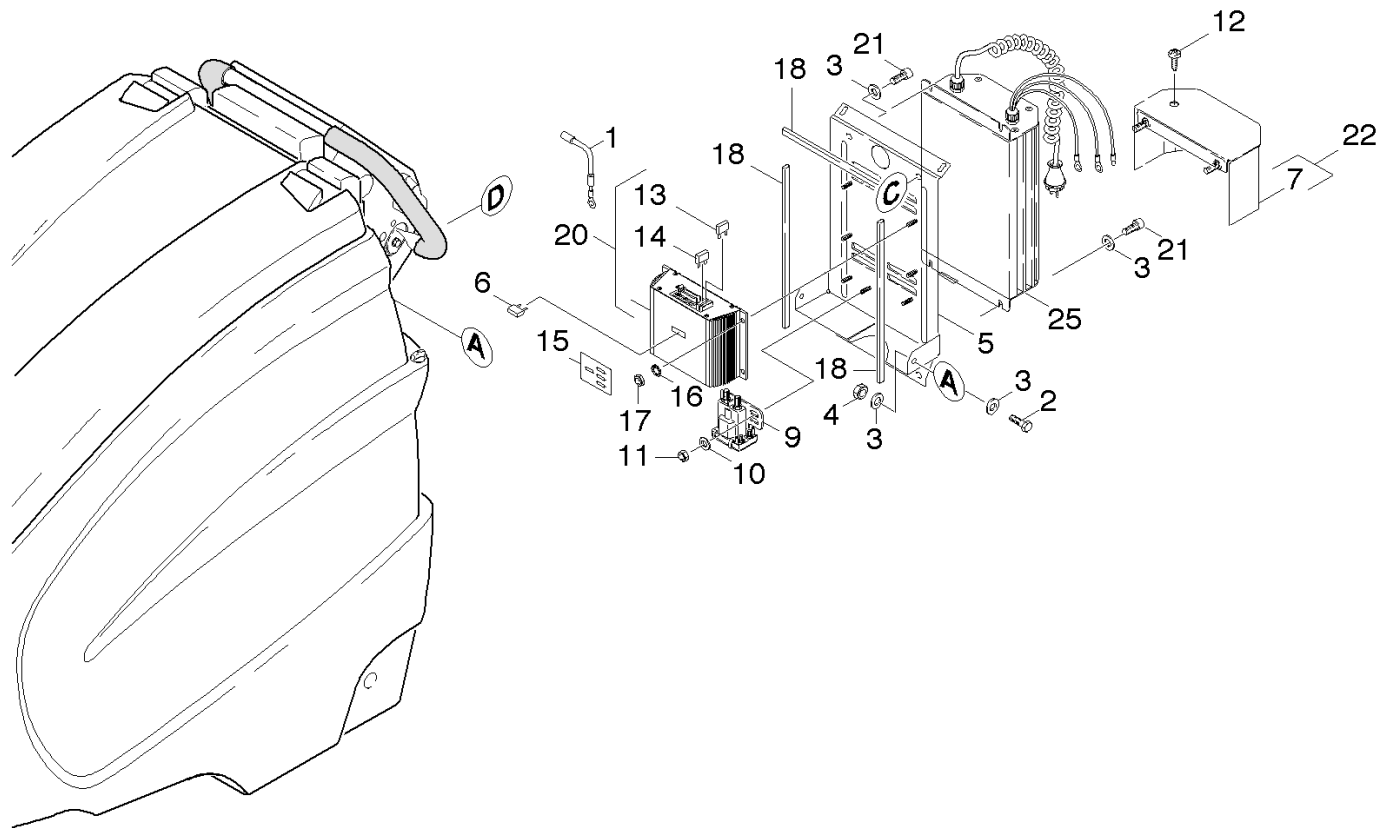
1.2 Battery



1.2 Battery

POS	DESCRIPTION ADDITIONAL INFORMATIONS	PART NO	QTY.	FROM SER.NR.	UP TO SER. NR.
1	Supply cable	66485820	1		
2	Cable battery	66477370	1		
3	Cable battery	66477380	1		
4	Battery kit NASS LOW-MAINTENANCE 24V/175AH	66540700	1		
4	Battery kit DETA MAINTENANCE-FREE 24V/180AH	66541300	1		
5	Battery DETA MAINTENANCE-FREE 6V/180AH	66541240	4		
6	Sheet metal component battery	50498440	1		
7	Cylinder head screw M5x12-4.8-A2E ISO 1	73064430	3		
8	Washer 5-200HV-A3E ISO 7090	73120020	1		
9	Tub battery BR/BD TRIKE, 750	50390420	1		

1.3 Electricics



1.3 Electricics

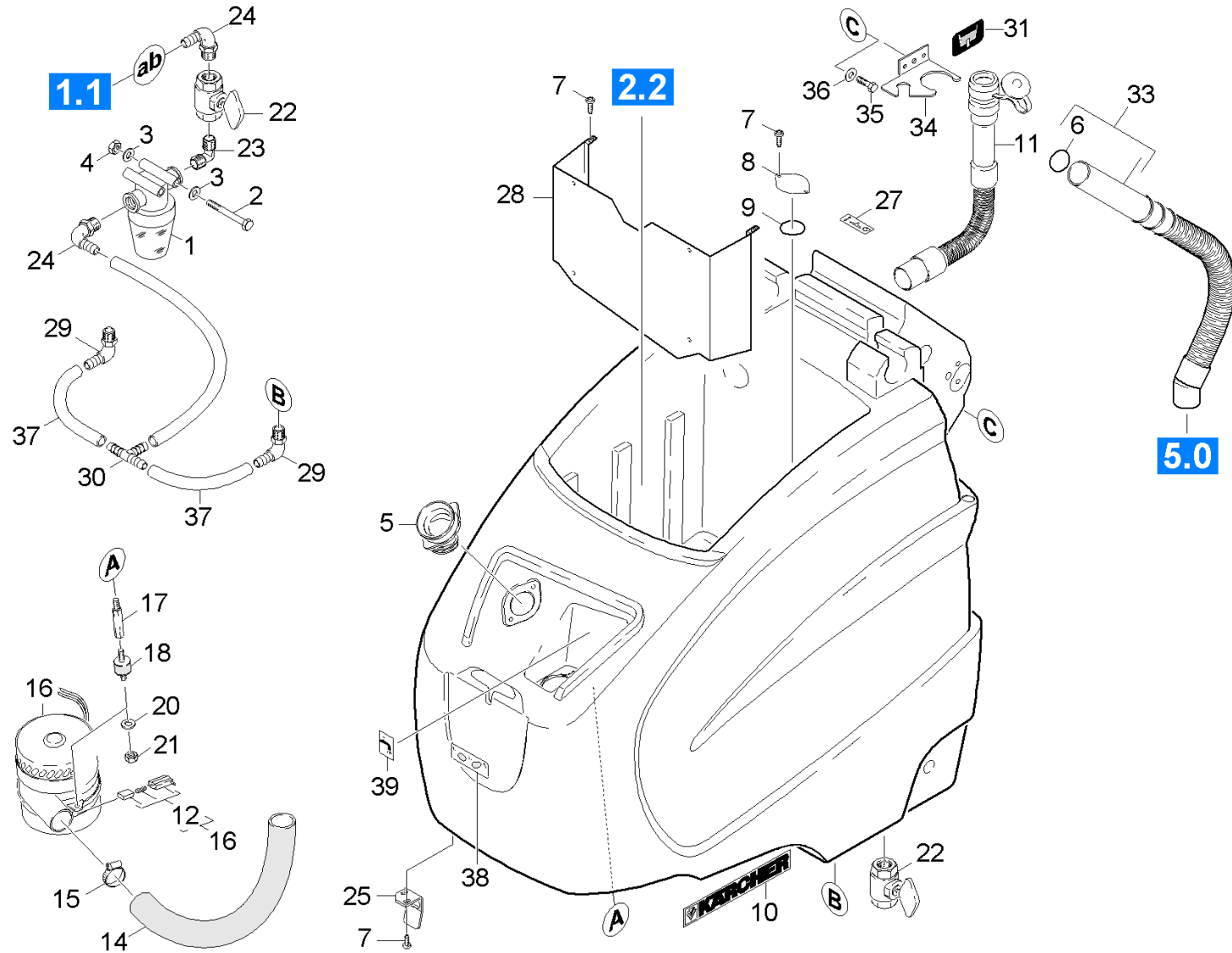
POS	DESCRIPTION ADDITIONAL INFORMATIONS	PART NO	QTY.	FROM SER.NR.	UP TO SER. NR.
1	Cable valve water	66492420	1		
2	Screw M6x45 -8.8-A3R (In6Rd)	73061310	2		
3	Washer 6 -200HV-A3E ISO 7090	73120030	1		
4	Hexagon nut M 6-8-A2E ISO 7040	73115120	8		
5	Cover electric box	50641370	1		
6	Fuse insert C30 DIN 72581-3	76440400	1		
7	Stockpiling discontinued	77779990	1		
9	Power relay	66333890	1		
10	Washer 5-200HV-A3E ISO 7090	73120020	2		
11	Hexagon nut M5 -8-A2E ISO 4032	73110020	2		
12	Screw M5x14 -8.8-A2R (In6Rd)	73062170	2		
13	Fuse insert C 7,5 DIN 72581-3 7,5 AMP	76440070	1		
14	Fuse insert C 3 DIN 72581-3 3 AMP	76440060	1		
15	Label fuse BR/BD 750	53804280	1		
16	Washer 3-200HV-A2E ISO 7092	73120110	4		
17	Hexagon nut M3 -8-A2E ISO 4032	73110000	4		
18	Seal string cellular rubber TO ORDER AS CUT GOODS	62731960	1		
20	Power board BR 750 (FACT) & B 80 W	66829120	1		
21	Screw M6x16 -8.8-R3R (In6Rd)	73060900	4		
22	Stockpiling discontinued	77779990	1		
25	Battery charger 24V MAINTENANCE-FREE	66542070	1		

2.0 Water tank

- 2.1 Water tank
- 2.2 Cap of a tank
- 2.3 Valves
- 2.4 Metering unit chemistry



2.1 Water tank



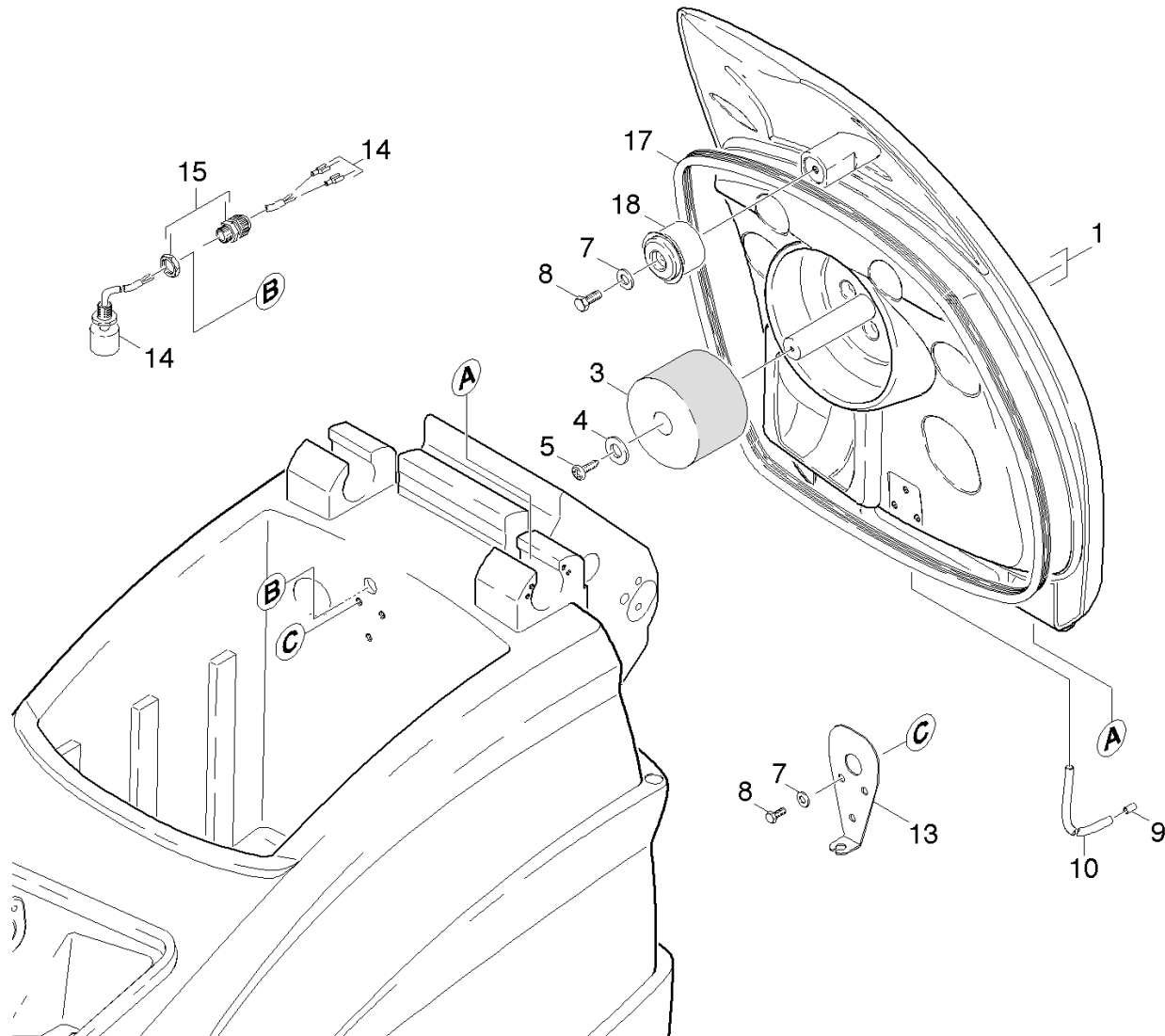
2.1 Water tank

POS	DESCRIPTION ADDITIONAL INFORMATIONS	PART NO	QTY.	FROM SER.NR.	UP TO SER. NR.
1	Filter fresh water	69067030	1		
2	Cylinder head screw M8x70 -8.8-A2E ISO4	73061060	2		
3	Washer 8 -200HV-A3E ISO 7090	73120040	4		
4	Hexagon nut M8 -8-A3E ISO 4032	73110040	4		
5	Joint ring	53635470	1		
6	O-Ring seal 46,0 X 3,0-NBR 70	63620900	1		
7	Screw 5x16 -10.9-P2R (K-In6Rd)	73031070	8		
8	Plate 328	50018880	1		
9	O-Ring seal 58,0 X 2,5	63626310	1		
10	Label	53905210	2		
11	Drain hose DN38 BR/BD 750/TRIKE STANDARD	63906090	1		
11	Drain hose DN38 OIL RESISTANT	63907340	1		
12	Carbon brush set	28830100	1		
14	Soundproof hose	63902150	1		
15	Cable tape 8-210	66414740	1		
16	Vacuum motor 24 V 550W	64900360	1		
17	Stud bolt	53080560	3		
18	Rubber buffer 2xM6-D20 H15	63390210	3		
20	Washer 6 -200HV-A2E ISO7093-1	73122760	3		
21	Hexagon nut M6 -8-A2E ISO 4032	73110030	3		
22	Stop cock R 1/2"	64133780	2		
23	Elbow screw connector 1/2"	63917170	1		
24	Angle bushing	54434810	2		
25	Angle closure	50177100	1		
27	Label suction bar	53904160	1		
28	Sheet metal component	50590090	1		
29	Angle bushing QUANTITY ACCORDING TO DEMAND	63900020	3		
30	T-Hose nozzle 1/2"	63884080	1		
31	Label waste water	53904170	1		

2.1 Water tank

POS	DESCRIPTION ADDITIONAL INFORMATIONS	PART NO	QTY.	FROM SER.NR.	UP TO SER. NR.
33	Suction hose complete oil resistant OIL RESISTANT	43900040	1		
33	Suction hose complete STANDARD	43900080	1		
34	Sheet metal component discharge	50613740	1		
35	Hexagonal head screw M8x16-8.8-A2E ISO	73043950	2		
36	Washer 8 -200HV-A3E ISO 7090	73120040	2		
37	Hose DN12,5 TO ORDER AS CUT GOODS	63882480	1		
38	Label set complete	53853680	1		
39	Label Frischwasserzulauf	53805540	1		

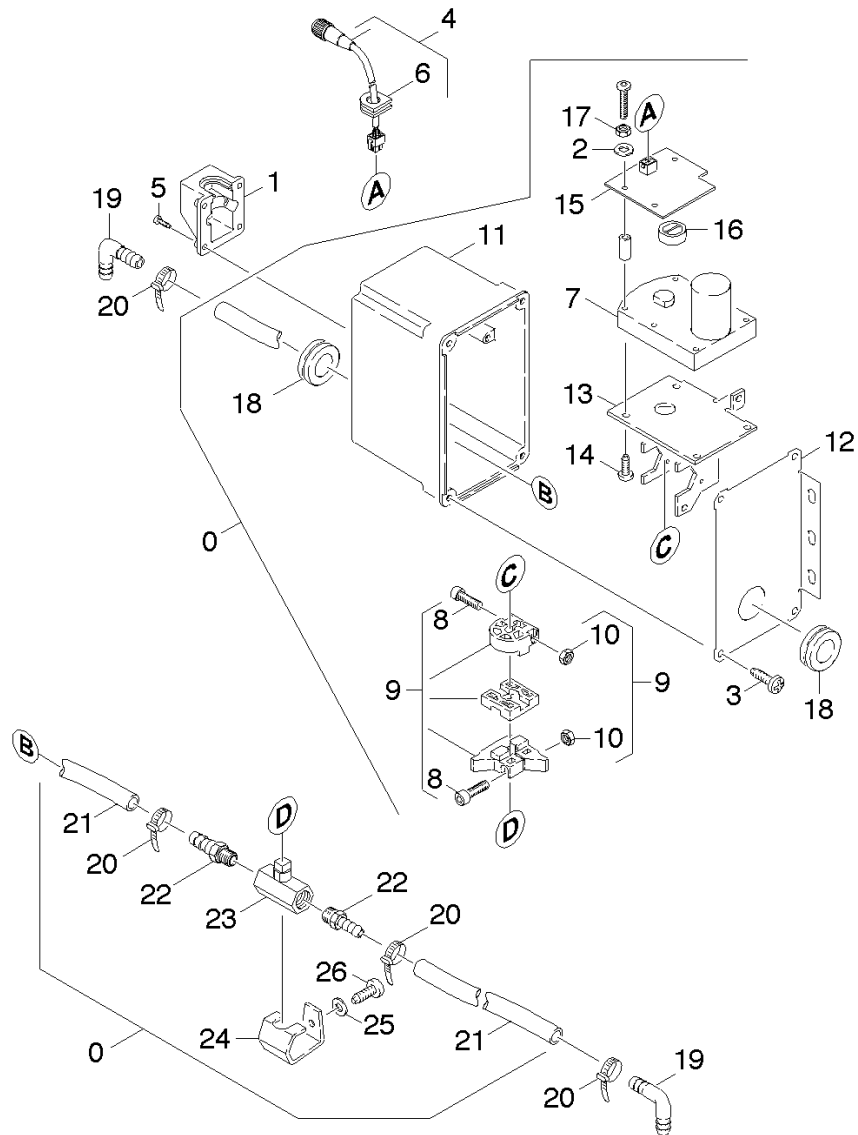
2.2 Cap of a tank



2.2 Cap of a tank

POS	DESCRIPTION ADDITIONAL INFORMATIONS	PART NO	QTY.	FROM SER.NR.	UP TO SER. NR.
1	Cover BR/BD750	40636750	1		
3	Float BR/BD Trike	55850430	1		
4	Washer	51157540	1		
5	Screw 5x16 -10.9-P2R (K-In6Rd)	73031070	7		
6	Holder notch cover	50072250	1		
7	Washer 8-A2 ISO 7089	73120170	7		
8	Hexagonal head screw M8x16-A4-70 ISO 40	73045380	7		
9	Tube	51281800	1		
10	Hose silicon 8x1 TO ORDER AS CUT GOODS	63895910	1		
11	Strap notch cover	53169840	1		
12	Quick-fastener	63431490	1		
13	Holder float regulator	50084350	1		
14	Float regulator	66302920	1		
15	Cable gland grey M12x1,5	66483910	1		
17	Sealing profile TO ORDER AS CUT GOODS	63660430	1		
18	Joint ring Frischwasseroeffnung	53635490	1		

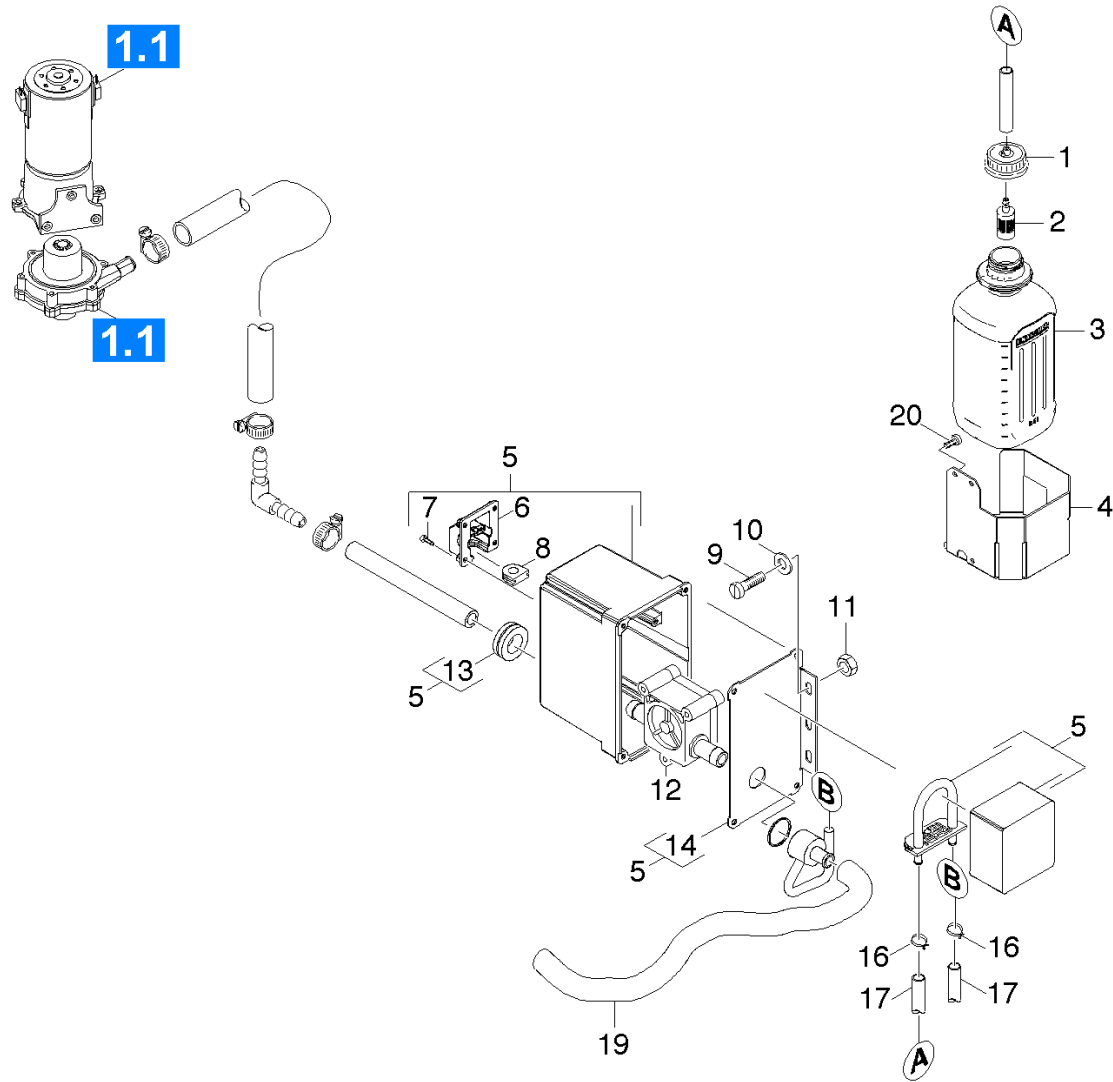
2.3 Valves



2.3 Valves

POS	DESCRIPTION ADDITIONAL INFORMATIONS	PART NO	QTY.	FROM SER.NR.	UP TO SER. NR.
0	Valve	45806050	1		
1	Elbow connector ball valve	50327610	1		
2	Washer 3-200HV-A2E ISO 7092	73120110	3		
3	Screw 5x16 -10.9-P2R (K-In6Rd)	73031070	5		
4	Cable	58200750	1		
5	Screw 4x 12-ST-10.9-R2R (IN6RD)	73030950	4		
6	Cable bushing	66480640	1		
7	Motor complete ball valve	46234670	1		
8	Screw M 4x25-A2-70 (IN6RD)	73062110	2		
9	Spare part set	28841620	1		
10	Hexagon nut M 4-04-A2E ISO 4035	73110280	2		
11	Housing ball valve	50641350	1		
12	Plate left	50067960	1		
13	Frame ball valve electrically	50501200	1		
14	Screw 4x16 -10.9-R2R (K-In6Rd)	73031290	6		
15	Circuit board	66826740	1		
16	Adapter	50325360	1		
17	Hexagon nut M3 -8-A2E ISO 4032	73110000	3		
18	Wire protecting sleeve	66482300	2		
19	Rubber bushing 14	63887150	2		
20	Cable tape 8-210	66414740	4		
21	Hose DN12,5 TO ORDER AS CUT GOODS	63882480	1		
22	Hose stem	63898980	2		
23	Ball valve	64122890	1		
24	Holder ball valve	50443250	1		
25	Washer 6-200HV-P4E ISO 7089	73120450	1		
26	Screw M6x16 -St-R3R (In6Rd)	73030470	1		

2.4 Metering unit chemistry



2.4 Metering unit chemistry

POS	DESCRIPTION ADDITIONAL INFORMATIONS	PART NO	QTY.	FROM SER.NR.	UP TO SER. NR.
1	Cover cleaning agents	50641950	1		
2	Filter with weight	57316090	1		
3	RM 69 2,5 L	62950410	1		
4	Holder bottle cleaning agents	50096230	1		
5	Dosing pump chemistry	64702020	1		
6	Elbow connector ball valve	50327610	1		
7	Screw 4x 12-ST-10.9-R2R (IN6RD)	73030950	4		
8	Cable bushing	66480640	1		
9	Saucer-head screw M6x20 -A2 DIN 603	73031390	3		
10	Washer 6 -200HV-A3E ISO 7090	73120030	3		
11	Hexagon nut M6 -8-A2E ISO 4032	73110030	3		
12	Flowmetre	64290380	1		
13	Wire protecting sleeve	66482300	1		
14	Plate left	50067960	1		
16	Hose clip	63899240	2		
17	Hose chemistry DN 6 TO ORDER AS CUT GOODS	63913410	1		
19	Spiral hose TO ORDER AS CUT GOODS	63908920	1		
20	Screw 5x16 -10.9-P2R (K-In6Rd)	73031070	3		

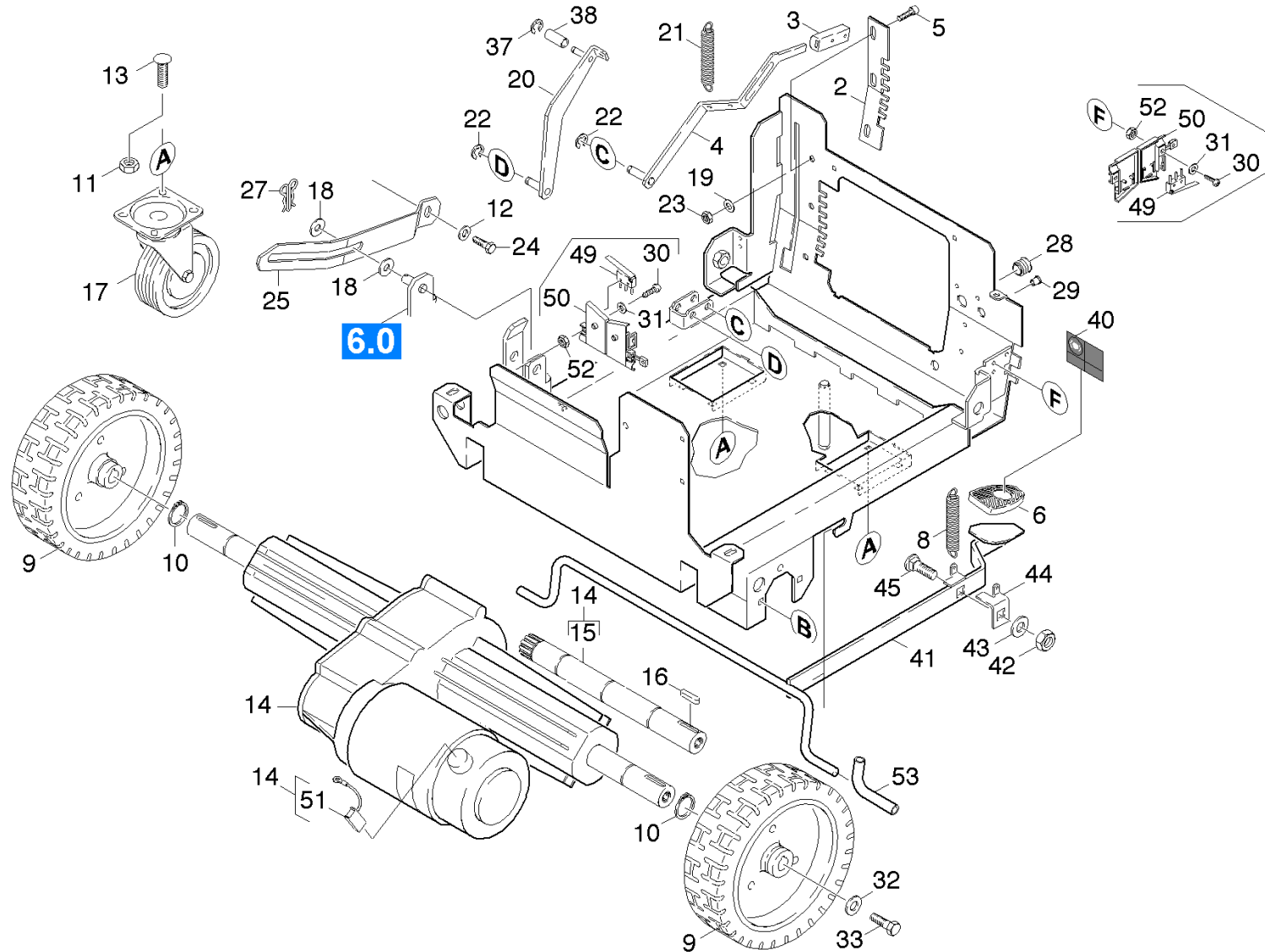
3.0 Transmission

3.1 Carriage AMER

3.2 Carriage ASI



3.1 Carriage AMER



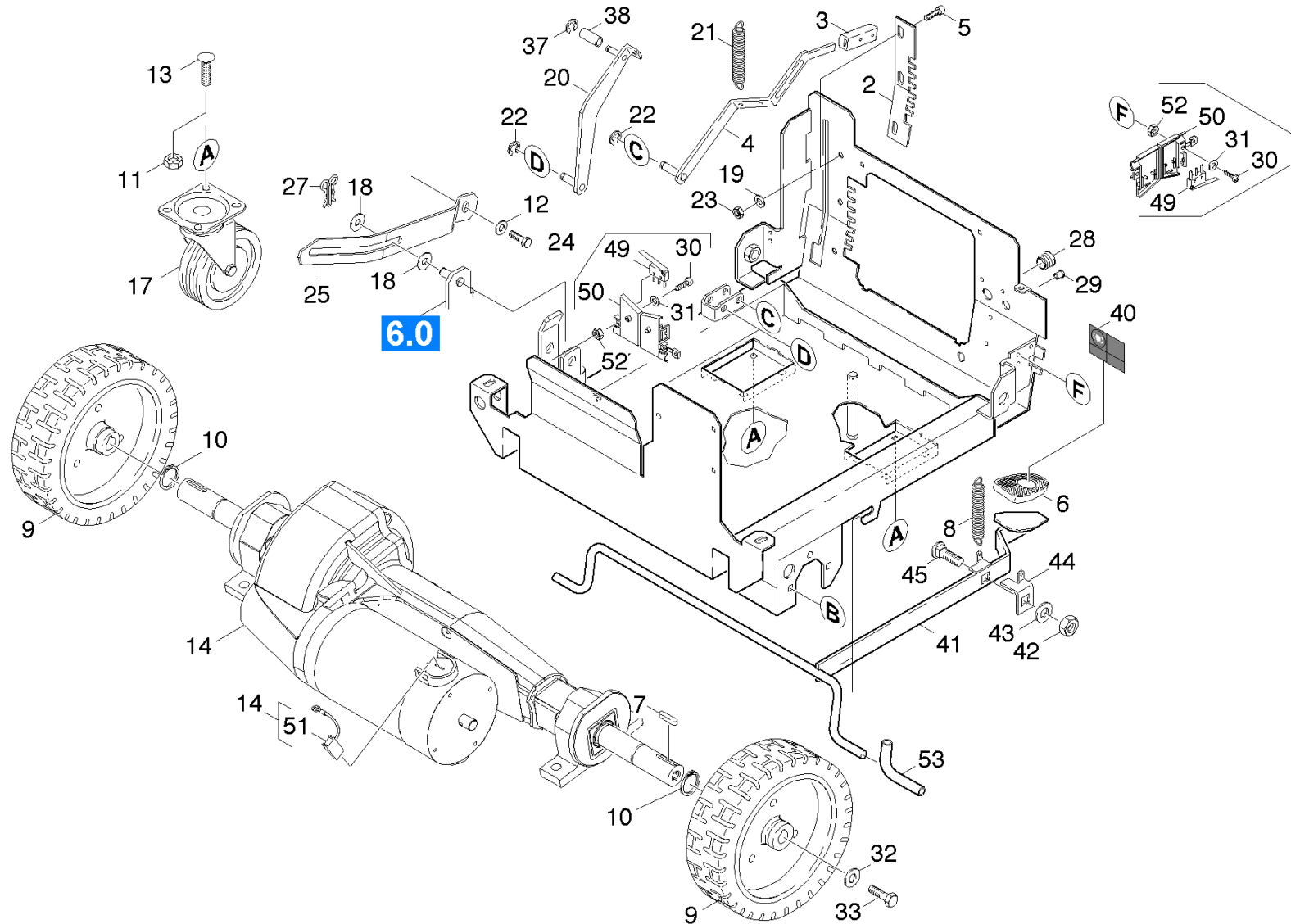
3.1 Carriage AMER

POS	DESCRIPTION ADDITIONAL INFORMATIONS	PART NO	QTY.	FROM SER.NR.	UP TO SER. NR.
2	Plate lock-in position contact pressure	50598740	1		
3	Handhold	53214570	1		
4	Lever complete	44811770	1		
5	Cylinder head screw M5x12-4.8-A2E ISO 1	73064430	3		
6	Coating pedal	63210460	1		
8	Extension spring brake	63301680	1		
9	Wheel	55150730	2		
10	Locking ring 20x1,2-FST-RF DIN 471	73430070	2		
11	Hexagon nut M8 -04-A2E ISO 10511	73114270	15		
12	Washer 8 -200HV-A3E ISO 7090	73120040	1		
13	Saucer-head screw M8x20 -St-A0P DIN 603	73032040	4		
14	Wheel drive motor (AMER)	66130800	1		
15	Driveshaft left only for replacement (AMER)	51005190	1		
16	Parallel key 6x6x28 -C45R DIN 6885-1	73180310	2		
17	Castor oil resistant OIL RESISTANT	64357100	2		
18	Washer 12-200HV-A2E ISO7093-1	73122870	2		
19	Washer 5-200HV-A3E ISO 7090	73120020	3		
20	Lever complete	44811780	1		
21	Extension spring contact pressure	63301670	1		
22	Locking ring 10x1-Rf-St DIN 471	73430010	2		
23	Hexagon nut M5 -8-A2E ISO 4032	73110020	3		
24	Hexagonal head screw M8x16-8.8-A2E ISO	73043950	1		
25	Plate support tank	50097360	1		
27	Spring clip	63130220	1		
28	Covering cap SFL23	63683450	2		
29	Cap D5	63683470	2		
30	Screw M 4X 12- 8.8-R2R K-IN6RD	73060580	2		
31	Washer 4 -200HV-A3E ISO 7089	73120010	4		
32	Washer 8 -A2 ISO 7094	73122680	2		

3.1 Carriage AMER

POS	DESCRIPTION ADDITIONAL INFORMATIONS	PART NO	QTY.	FROM SER.NR.	UP TO SER. NR.
33	Hexagonal head screw M8x20-A4-70 ISO 40	73045160	2		
37	Lock washer 7-A2 DIN 6799	73433000	1		
38	Sleeve	51108790	1		
40	Label set complete	53853680	1		
41	Lever complete	44811640	1		
42	Hexagon nut M 8-04-A2E ISO 4035	73112240	1		
43	Washer 8-A2 ISO 7089	73120170	1		
44	Stop bremshebel	50049360	1		
45	Saucer-head screw M8x16-A2 DIN 603	73032020	1		
49	Micro switch	66303310	2		
50	Housing micro switch	50609980	2		
51	Carbon brush set BR/BD 55/60 (AMER)	66102480	1		
52	Hexagon nut M4 -8-A2E ISO 4032	73110010	2		
53	Piece of tube brake	54435490	2		

3.2 Carriage ASI



3.2 Carriage ASI

POS	DESCRIPTION ADDITIONAL INFORMATIONS	PART NO	QTY.	FROM SER.NR.	UP TO SER. NR.
2	Plate lock-in position contact pressure	50598740	1		
3	Handhold	53214570	1		
4	Lever complete	44811770	1		
5	Cylinder head screw M5x12-4.8-A2E ISO 1	73064430	3		
6	Coating pedal	63210460	1		
7	Parallel key 6x6x28 -C45R DIN 6885-1	73180310	2		
8	Extension spring brake	63301680	1		
9	Wheel	55150730	2		
10	Locking ring 20x1,2-FST-RF DIN 471	73430070	2		
11	Hexagon nut M8 -04-A2E ISO 10511	73114270	15		
12	Washer 8 -200HV-A3E ISO 7090	73120040	1		
13	Saucer-head screw M8x20 -St-A0P DIN 603	73032040	4		
14	Wheel drive motor ASI (ASI)	66130810	1		
14	Wheel drive motor CIM (CIM)	66131400	1		
16	Parallel key 6x6x28 -C45R DIN 6885-1	73180310	2		
17	Castor oil resistant OIL RESISTANT	64357100	2		
18	Washer 12-200HV-A2E ISO7093-1	73122870	2		
19	Washer 5-200HV-A3E ISO 7090	73120020	3		
20	Lever complete	44811780	1		
21	Extension spring contact pressure	63301670	1		
22	Locking ring 10x1-Rf-St DIN 471	73430010	2		
23	Hexagon nut M5 -8-A2E ISO 4032	73110020	3		
24	Hexagonal head screw M8x16-8.8-A2E ISO	73043950	1		
25	Plate support tank	50097360	1		
27	Spring clip	63130220	1		
28	Covering cap SFL23	63683450	2		
29	Cap D5	63683470	2		
30	Screw M 4X 12- 8.8-R2R K-IN6RD	73060580	2		
31	Washer 4 -200HV-A3E ISO 7089	73120010	4		

3.2 Carriage ASI

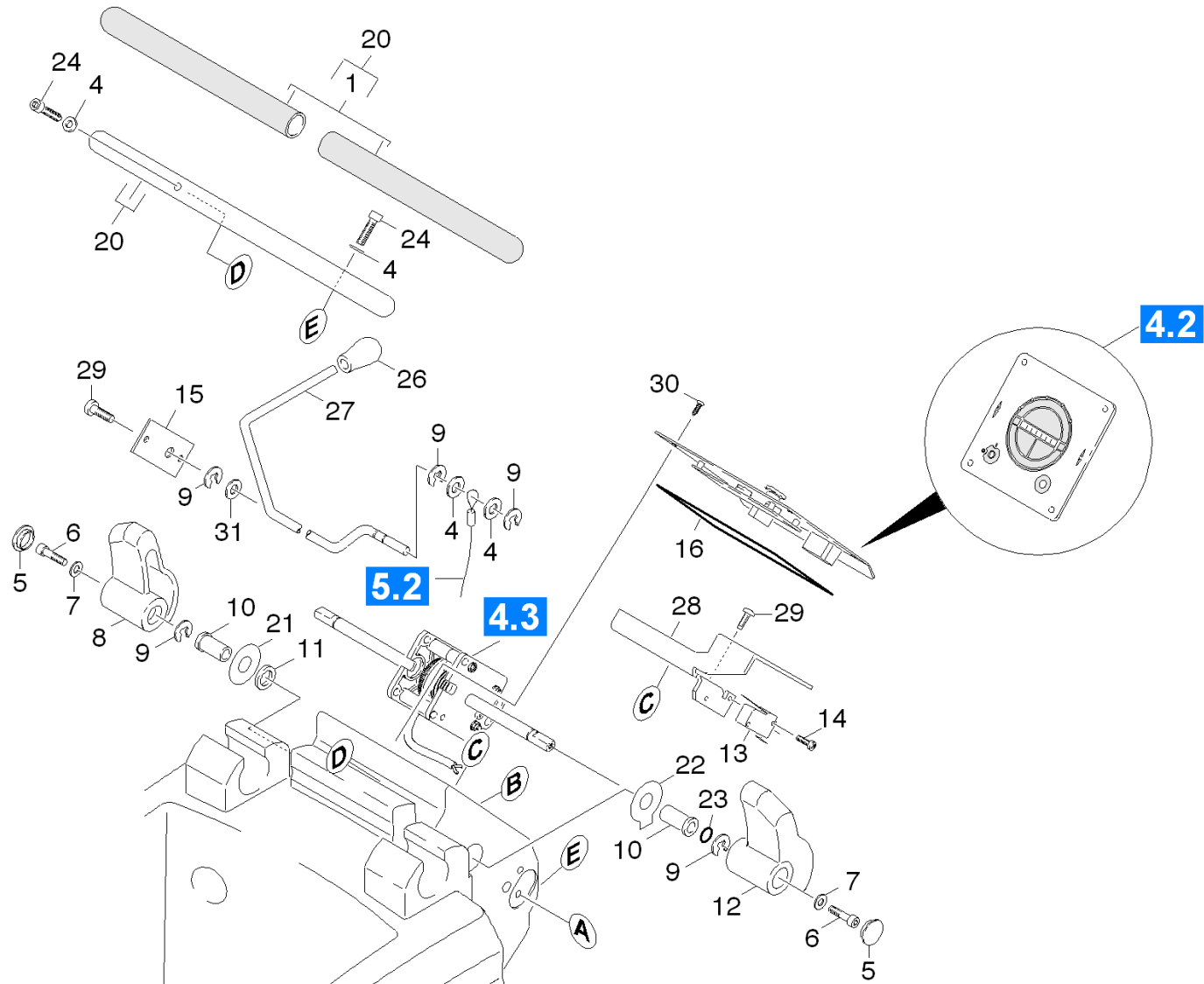
POS	DESCRIPTION ADDITIONAL INFORMATIONS	PART NO	QTY.	FROM SER.NR.	UP TO SER. NR.
32	Washer 8 -A2 ISO 7094	73122680	2		
33	Hexagonal head screw M8x20-A4-70 ISO 40	73045160	2		
37	Lock washer 7-A2 DIN 6799	73433000	1		
38	Sleeve	51108790	1		
40	Label set complete	53853680	1		
41	Lever complete	44811640	1		
42	Hexagon nut M 8-04-A2E ISO 4035	73112240	1		
43	Washer 8-A2 ISO 7089	73120170	1		
44	Stop bremshebel	50049360	1		
45	Saucer-head screw M8x16-A2 DIN 603	73032020	1		
49	Micro switch	66303310	2		
50	Housing micro switch	50609980	2		
51	Carbon brush set wheel drive motor ASI (ASI)	66102720	1		
51	Carbon brush set wheel drive motor CIM (CIM)	66102940	1		
52	Hexagon nut M4 -8-A2E ISO 4032	73110010	2		
53	Piece of tube brake	54435490	2		

4.0 Operating element

- 4.1 Control system
- 4.2 Control console
- 4.3 Switch



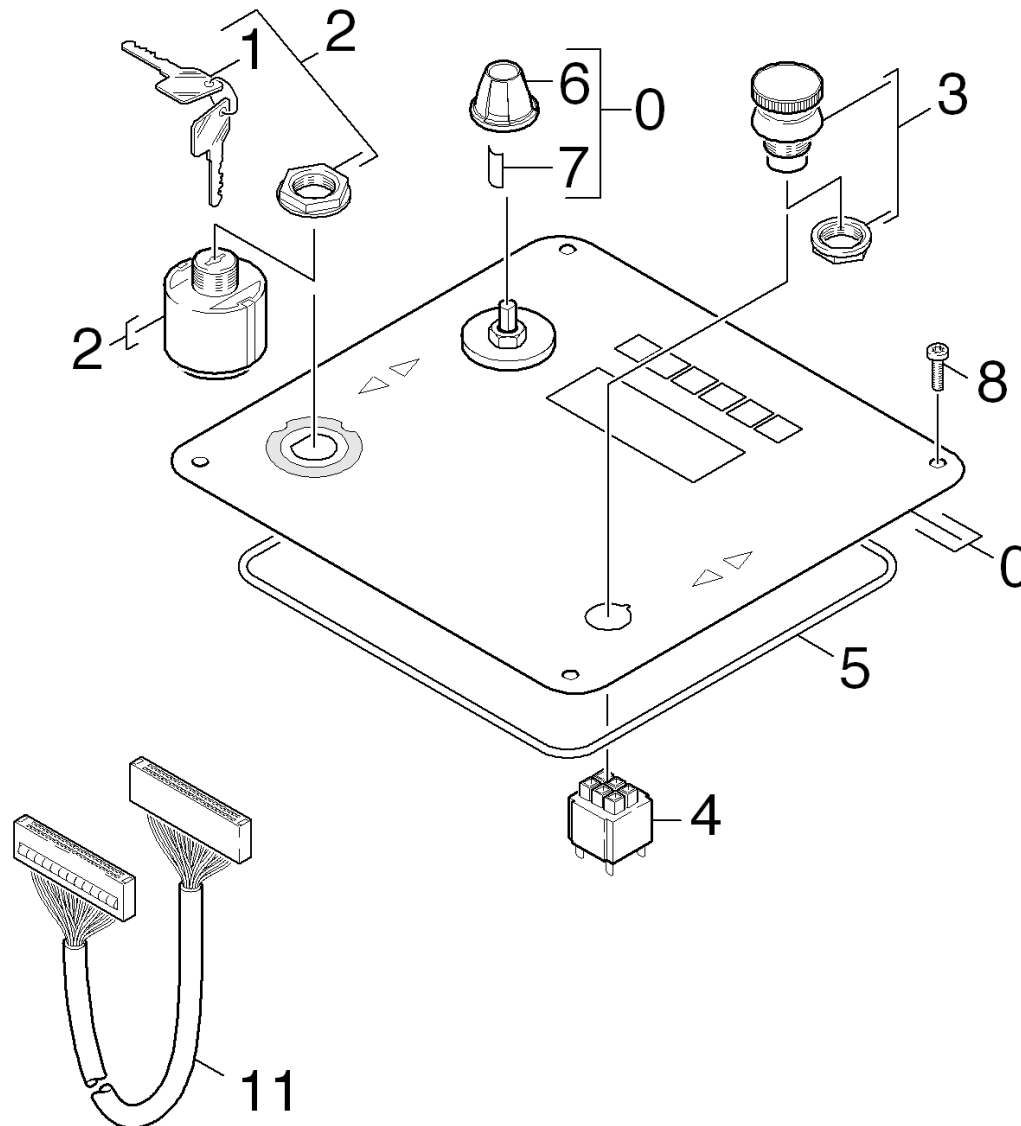
4.1 Control system



4.1 Control system

POS	DESCRIPTION ADDITIONAL INFORMATIONS	PART NO	QTY.	FROM SER.NR.	UP TO SER. NR.
1	Hose TO ORDER AS CUT GOODS	63902690	1		
4	Washer 8 -200HV-A3E ISO 7090	73120040	4		
5	Plug	51320100	2		
6	Screw M 4X 12- 8.8-R2R K-IN6RD	73060580	2		
7	Washer 5-200HV-A3E ISO 7090	73120020	2		
8	Lever	54811690	1		
9	Lock washer 7-A2 DIN 6799	73433000	5		
10	Bush	51125100	2		
11	Joint ring	53633520	1		
12	Lever	54811610	1		
13	Micro switch BR VARIO SAUGKIT	66301280	2		
14	Screw M 3X 8-A2-70 (IN6RD)	73062030	2		
15	Sheet metal component	50498260	1		
16	Seal string cellular rubber TO ORDER AS CUT GOODS	62731960	1		
20	Strap complete only for replacement	40341240	1		
21	Washer sealing	51161810	1		
22	Washer sealing	51161690	1		
23	O-Ring seal 9,0 x 1,5	63623840	1		
24	Cylinder head screw M8x35 -8.8-A2E ISO4	73060440	2		
25	Screw 4x16 -10.9-R2R (K-In6Rd)	73031290	3		
26	Push button D 8	63211540	1		
27	Lever	54813070	1		
28	Sheet metal component stop	50498270	1		
29	Screw 5x16 -10.9-P2R (K-In6Rd)	73031070	6		
31	Washer 10 -160HV-A3E EN28738	73121530	1		

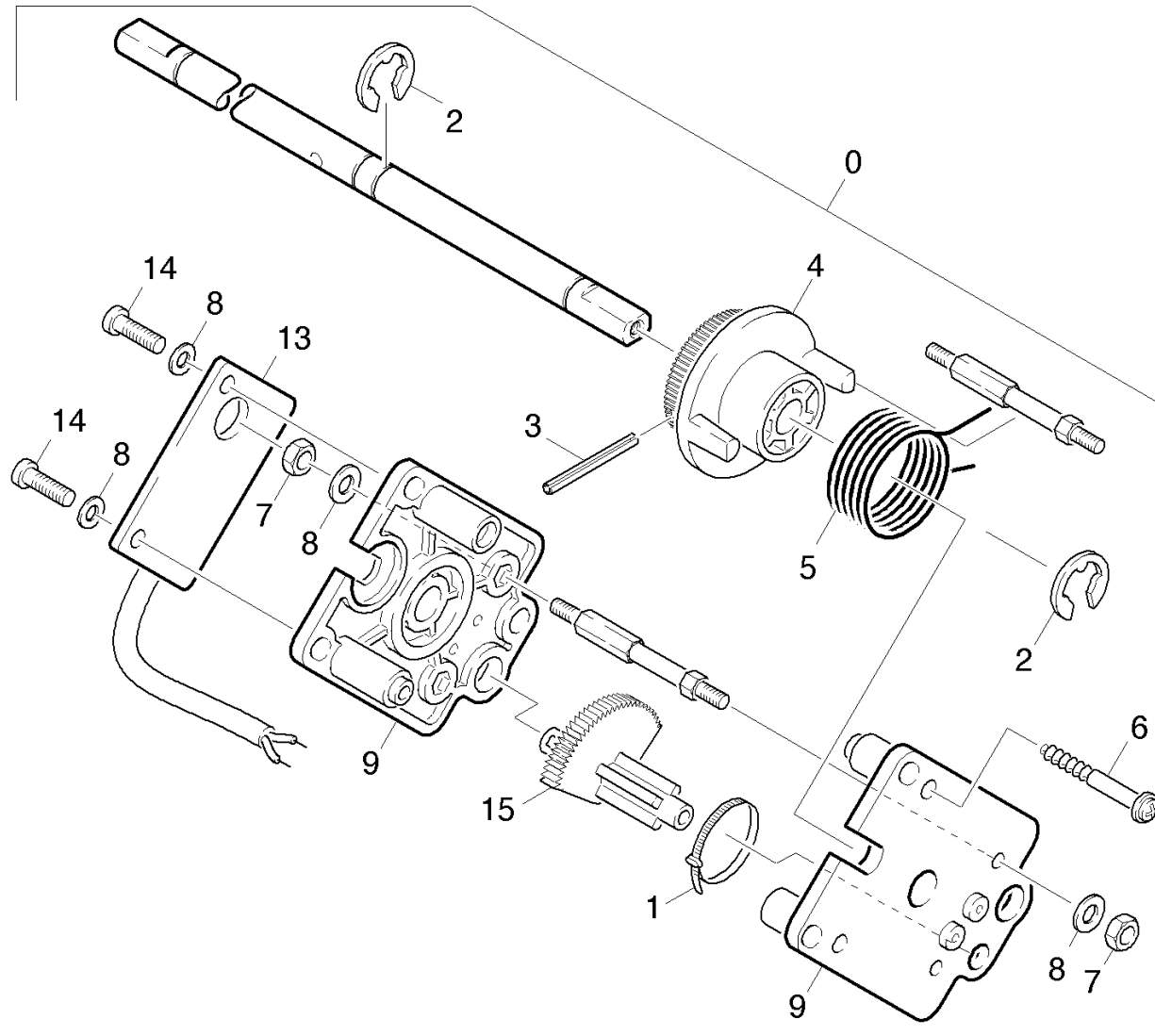
4.2 Control console



4.2 Control console

POS	DESCRIPTION ADDITIONAL INFORMATIONS	PART NO	QTY.	FROM SER.NR.	UP TO SER. NR.
0	Control panel BR/BD 65/80	48411910	1		
1	Key only for replacement	66002100	1		
2	Key switch	66301060	1		
3	Pushbutton emergency stop	66003440	1		
4	Switch	66001140	1		
5	Seal string cellular rubber TO ORDER AS CUT GOODS	62731960	1		
6	Handhold info panel	53217500	1		
7	Spring element	63130140	1		
8	Screw M5x16 -St-A2R (In6Rd)	73030390	4		
11	Cable control panel only for replacement	66490190	1		

4.3 Switch



4.3 Switch

POS	DESCRIPTION ADDITIONAL INFORMATIONS	PART NO	QTY.	FROM SER.NR.	UP TO SER. NR.
0	Tachograph	47441500	1		
1	Cable tape	66470810	1		
2	Lock washer 7-A2 DIN 6799	73433000	2		
3	Spring pin 3x35-St ISO 8752	73149330	1		
4	Gear wheel	63482800	1		
5	Rotaring spring	63300850	1		
6	Screw 4x 35 -10.9-R2R (K-In6Rd)	73030850	2		
7	Hexagon nut M4 -8-A2E ISO 7040	73114240	2		
8	Washer 4 -200HV-A2E ISO7093-1	73122810	4		
9	Base plate	50510530	2		
13	Circuit board tachograph	66825510	1		
14	Screw M 4X 12- 8.8-R2R K-IN6RD	73060580	2		
15	Shaft tothing	51003610	1		

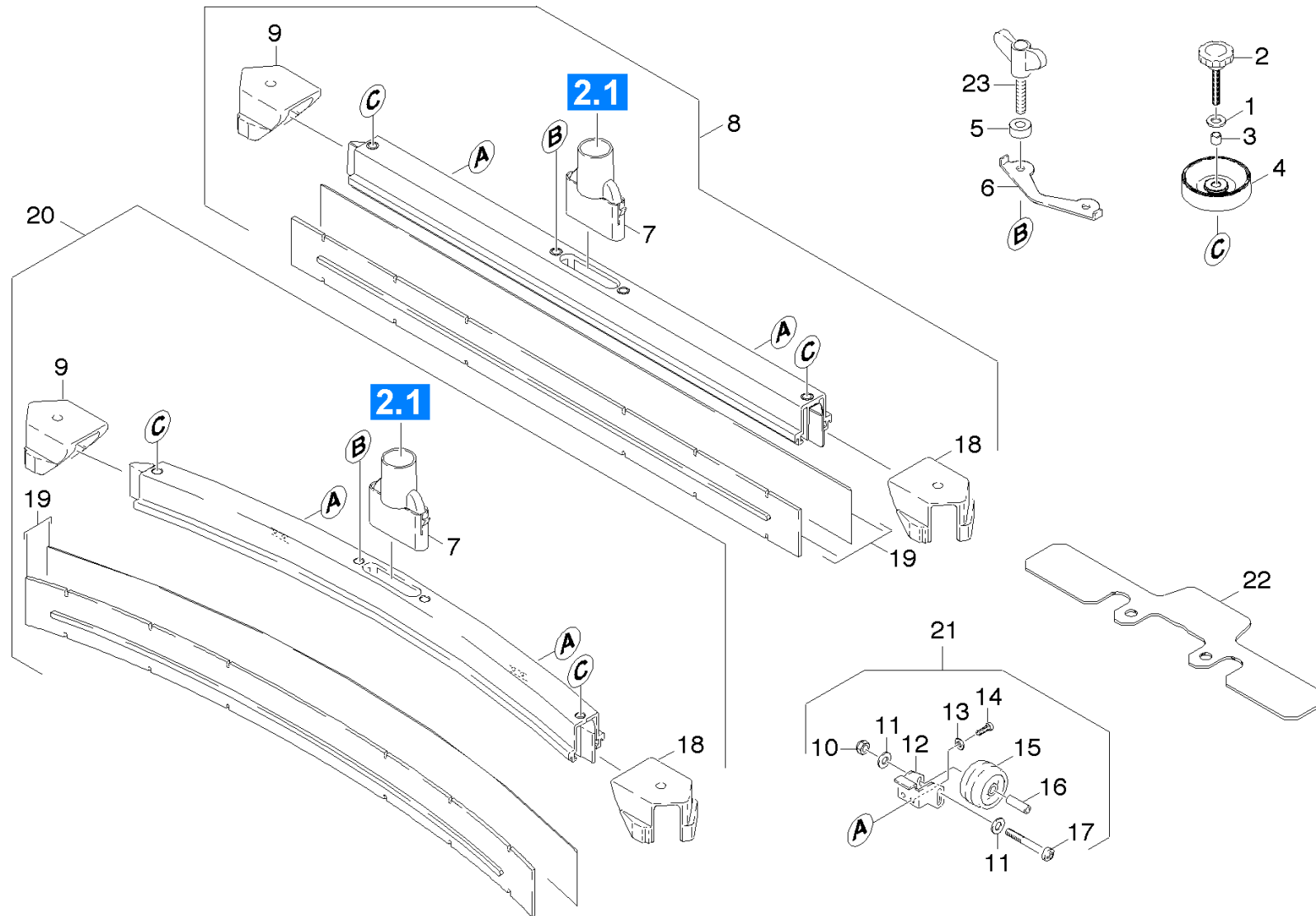
5.0 Suction bar

5.1 Suction bar

5.2 Suction bar bracket



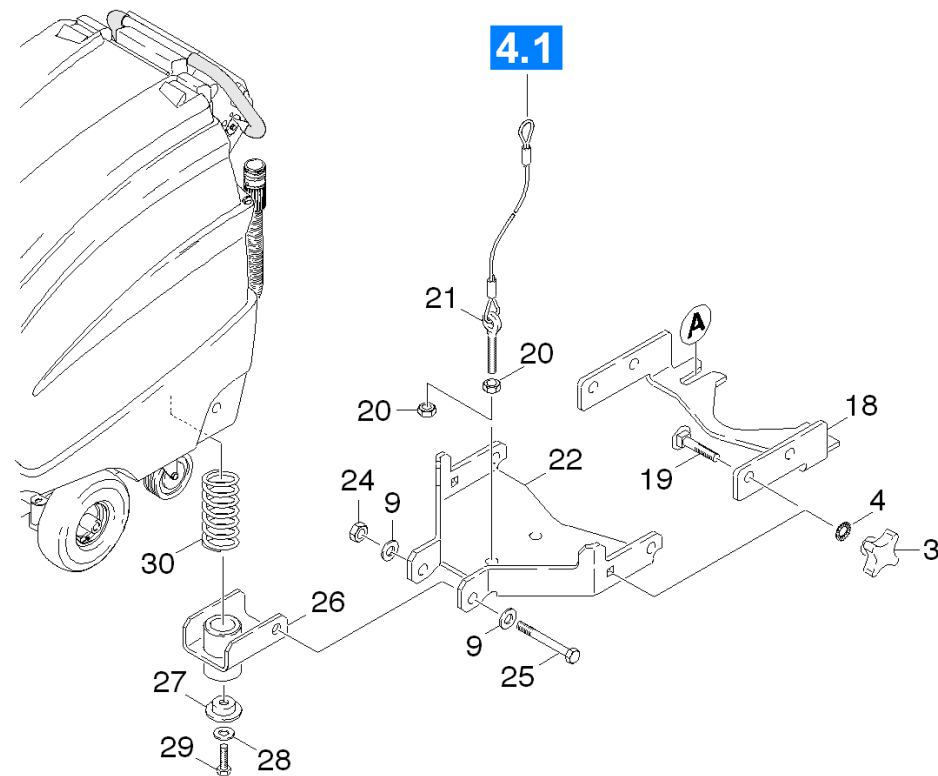
5.1 Suction bar



5.1 Suction bar

POS	DESCRIPTION ADDITIONAL INFORMATIONS	PART NO	QTY.	FROM SER.NR.	UP TO SER. NR.
1	Washer 8 -200HV-A3E ISO 7090	73120040	2		
2	Star grip VA	63212110	2		
3	Sleeve suction bar in VA	50942310	2		
4	Deflector roll suction bar	55152670	2		
5	Sleeve VA	51128100	2		
6	Plate	50072170	1		
7	Suction nipple	50319890	1		
8	Suction bar straight	47770490	1		
9	End piece right	50319910	1		
10	Hexagon nut M 6-1.4305 ISO 10511	73114220	2		
11	Washer 6 -A2 ISO 7090	73120260	4		
12	Holder roller	50443040	2		
13	Washer 5 -A2 ISO 7090	73120580	4		
14	Screw M5x10 -St-P2R (In6Rd)	73030370	4		
15	Wheel D54	64354010	2		
16	Axle	51052450	2		
17	Hexagonal head screw M 6x45-A4-70 ISO 4	73045500	2		
18	End piece left	50319900	1		
19	Rubber lip set anti stripe oil resistant	62732050	1		
19	Rubber lip set oil resistant	62732080	1		
19	Rubber lip set standard	62732140	1		
	STANDARD				
20	Suction bar curved	47770550	1		
21	Add-on kit support wheels suction bar	26395610	1		
22	Additional weight suction bar	51283390	1		
23	Wing screw M8x40 VA	53052960	2		

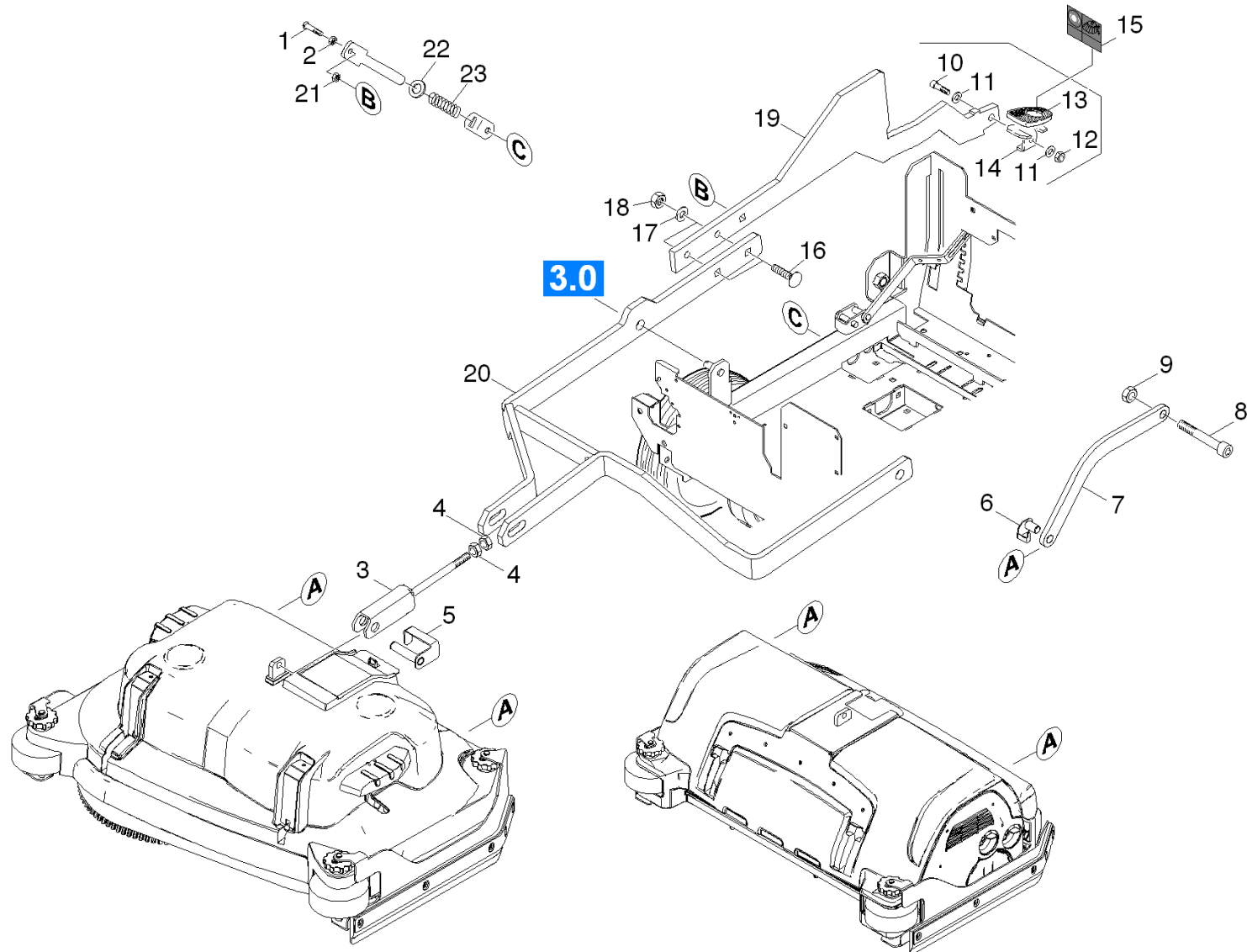
5.2 Suction bar bracket



5.2 Suction bar bracket

POS	DESCRIPTION ADDITIONAL INFORMATIONS	PART NO	QTY.	FROM SER.NR.	UP TO SER. NR.
3	Star handle K 32 DIN 6335	73210110	2		
4	Serrated lock washer A6,4-1.4310 DIN679	73120200	2		
9	Washer 8 -200HV-A3E ISO 7090	73120040	4		
18	Rocker suction bar	50482340	1		
19	Saucer-head screw M6x20 -A2 DIN 603	73031390	2		
20	Hexagon nut M8 -8-A3E ISO 4032	73110040	2		
21	Rope complete BR/BD750	41720180	1		
22	Holder suction bar	50441690	1		
24	Hexagon nut M8 -04-A2E ISO 10511	73114270	1		
25	Cylinder head screw M8x65 -8.8-A2E ISO4	73061510	1		
26	Carrier suction bar	40581000	1		
27	Sleeve	51108680	1		
28	Washer 6 -A2 ISO 7090	73120260	1		
29	Screw M 6x16-A2-70 DIN 7984	73060310	1		
30	Pressure spring	53324370	1		

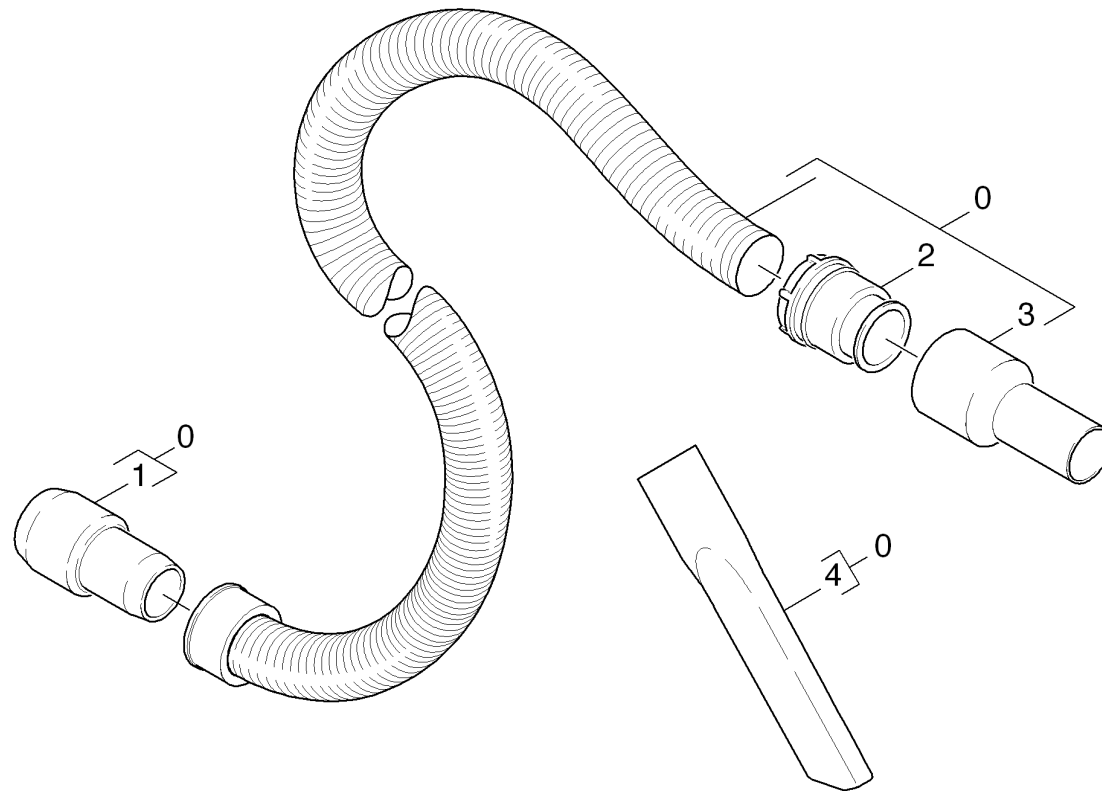
6.0 Power brush lifting



6.0 Power brush lifting

POS	DESCRIPTION ADDITIONAL INFORMATIONS	PART NO	QTY.	FROM SER.NR.	UP TO SER. NR.
1	Saucer-head screw M 8x35-ST-A0P DIN 603	73030080	1		
2	Hexagon nut M 8-8-A2E ISO 7040	73115100	1		
3	Plate adjustment	50093130	1		
4	Hexagon nut M 8-04-A2E ISO 4035	73112240	2		
5	Locking part	44812440	1		
6	Locking part connecting rods head BD	44812470	2		
7	Plate connecting rod	50093320	2		
8	Cylinder head screw M12x80- 8.8-A3E IS	73061220	2		
9	Hexagon nut M12-8-A2E ISO 7040	73115150	2		
10	Cylinder head screw M8x20 -8.8-A2E ISO	73060410	1		
11	Washer 8 -200HV-A3E ISO 7090	73120040	2		
12	Hexagon nut M8 -8-A3E ISO 4032	73110040	1		
13	Coating pedal	63210460	1		
14	Sheet metal component NEU	50590320	1		
15	Label set complete	53853680	1		
16	Saucer-head screw M8x25-St-A0P DIN 603	73031940	2		
17	Washer 8-A2 ISO 7089	73120170	2		
18	Hexagon nut M 8-1.4305 ISO 10511	73114320	2		
19	Plate pedal	50096960	1		
20	Lever brush-head	44812380	1		
21	Hexagon nut M8-LH-8-A2E ISO 4032	73110750	1		
22	Washer 16-200HV ISO 7089	73120890	1		
23	Pressure spring	53329650	1		

7.0 Suction hose



7.0 Suction hose

POS	DESCRIPTION	PART NO	QTY.	FROM SER.NR.	UP TO SER. NR.
	ADDITIONAL INFORMATIONS				
0	Suction hose accessories	44440150	1		
1	Connecting sleeve	54530550	1		
2	Threaded ring DN32	69020310	1		
3	Sleeve NW35	69020300	1		
4	Crevice nozzle DN35	69062400	1		