

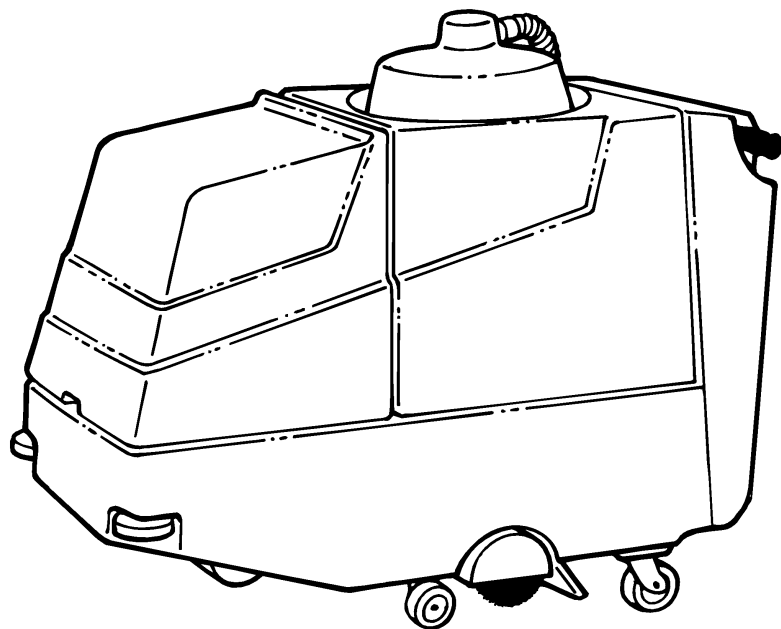


1550

Automatic Carpet Extractor

Model No.:
607877
608934 – Pac

Operator and Parts Manual

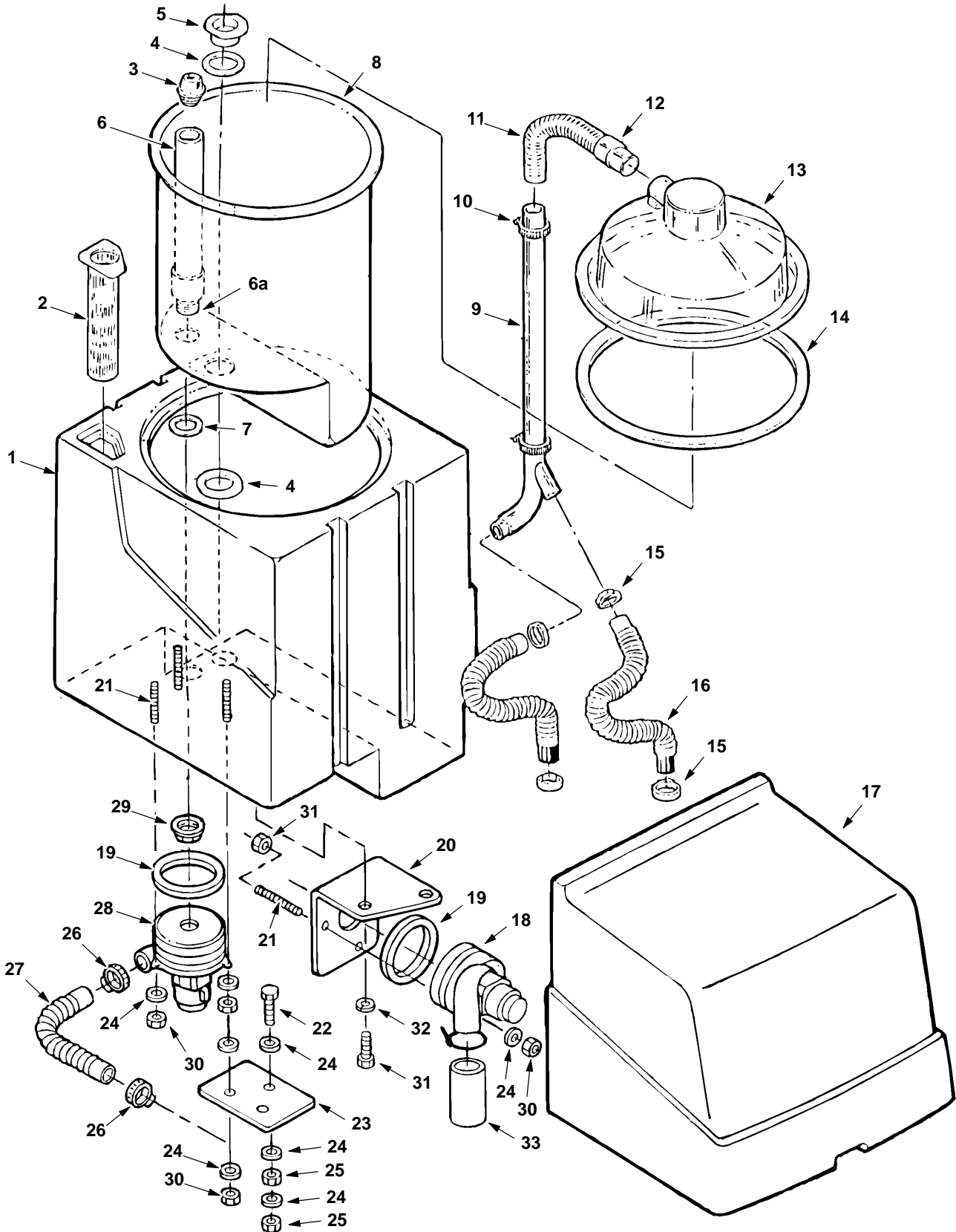


TENNANT COMPANY
Commercial Products
12875 RANSOM STREET
HOLLAND MI 49424 U.S.A.

FAX: 1-800-678-4240
CUSTOMER SERVICE: 1-800-982-7658
OUTSIDE U.S.: 1-616-786-2330

607758
Rev. 00 (01-00)

UPPER HOUSING GROUP



UPPER HOUSING GROUP

REF	PART #	DESCRIPTION	QTY.
1	607807	TANK, SOLUTION (OFF-WHITE)	1
2	180610	SCREEN, SOLUTION TANK	1
3	180612	SCREEN, STANDPIPE	1
4	150303	GASKET, INLET FLANGE	2
5	603094	FITTING, INLET FLANGE W/FLATS	1
6	701225	ASM. STANDPIPE	1
6a	606088	NIPPLE, 1-1/2, STANDPIPE	1
7	101714	GASKET, WASTE AIR CHAMBER	1
8	607809	TANK, RECOVERY (OFF-WHITE)	1
9	240178.BK	TUBE, INLET	1
10	140308	CLAMP, HOSE	2
11	160846	HOSE, 1 1/2 X 10 1/4	1
12	160430	CUFF, HOSE 1 1/2 X 1 1/2	1
13	100111	DOME, VACUUM	1
14	100032	GASKET, DOME & TANK	1
15	140322	CLAMP, VAC HOSE PICKUP TOOL	4
16	160456	HOSE, PICKUP TOOL 16"	2
17	607813	COVER, HOOD (OFF-WHITE)	1

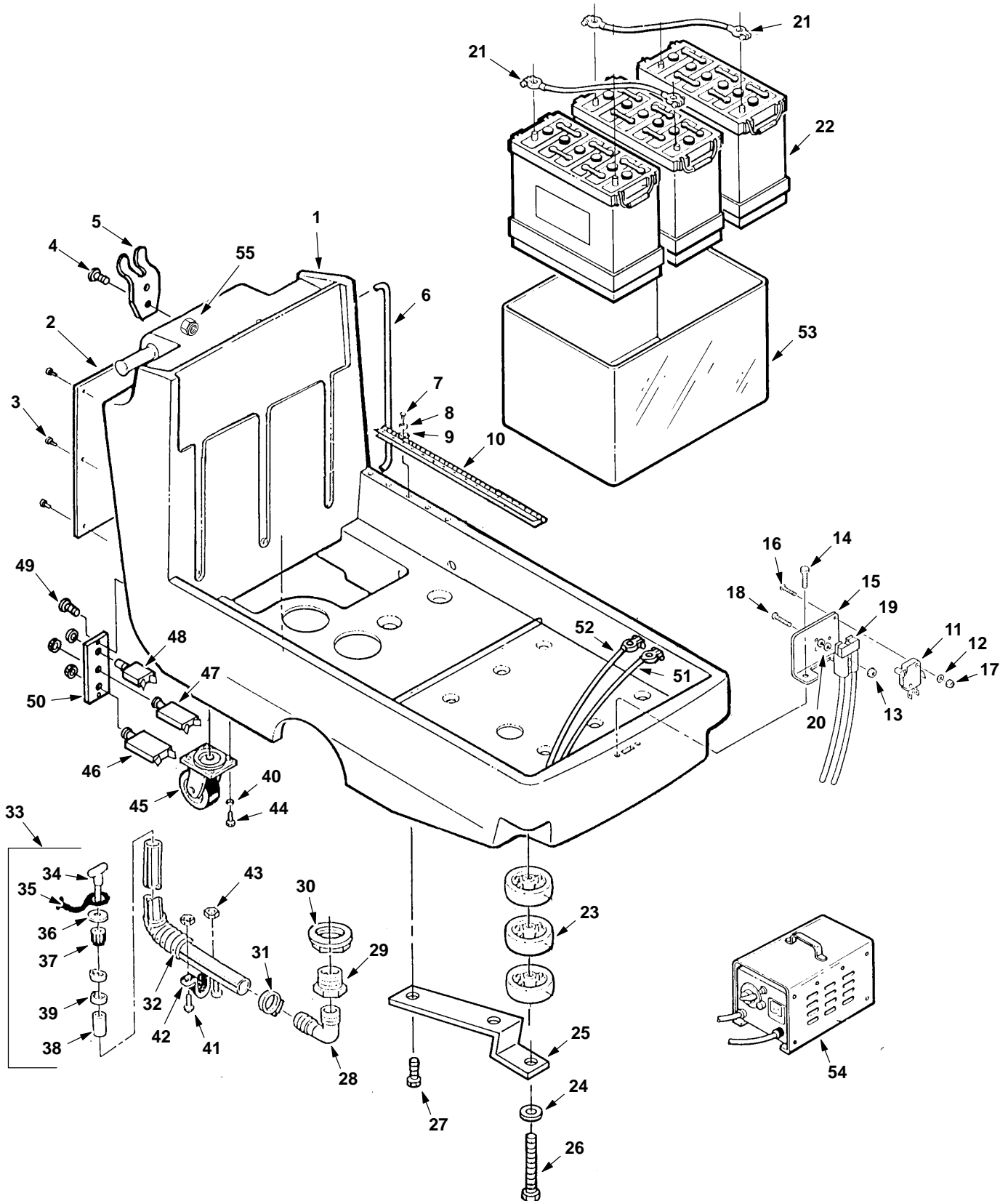
REF	PART #	DESCRIPTION	QTY.
18	611071000	MOTOR, VAC 5.7/35TG 36V W/SNOOUT	1
	190162	BRUSH, CARBON	2
19	0174..10	SEAT, NEOPRENE MOTOR	2
20	230957	PLATE, VAC MOUNT	1
21	140238	STUD, FULL THRD 1/4-20 X 5	6
22	140208	SCREW, 1//4-20 X 1	2
23	101807	PLATE, CONNECTOR	1
24	140000	WASHER, FLAT 1/4	12
25	140524	NUT, KEP 1/4-20	2
26	140308	CLAMP, HOSE 1-5/16 - 2 1/4	2
27	160631	HOSE, 1 1/2 X 16	1
28	130413	MOTOR, VAC 5.7, 3 STG	1
	190162	BRUSH, CARBON (2/PK)	2
29	210240	NUT, FLANGED	1
30	140501	NUT, NYLOC	4
31	140259	SCREW, 1/4-20X5/8	2
32	140016	WASHER, LOCK	2
33	600009	MUFFLER, EXHAUST	1

DECALS LIST

REF	PART #	DESCRIPTION	QTY.
N/S	608153	DECAL, 1550	2
N/S	607979	DECAL, TENNANT	1
N/S	602637	DECAL, BATTERY CHARGE	1
N/S	120246	DECAL, "CAUTION DO NOT"	1
N/S	120247	DECAL, FULL LINE	1

N/S= NOT SHOWN

MAIN CHASSIS GROUP



MAIN CHASSIS GROUP

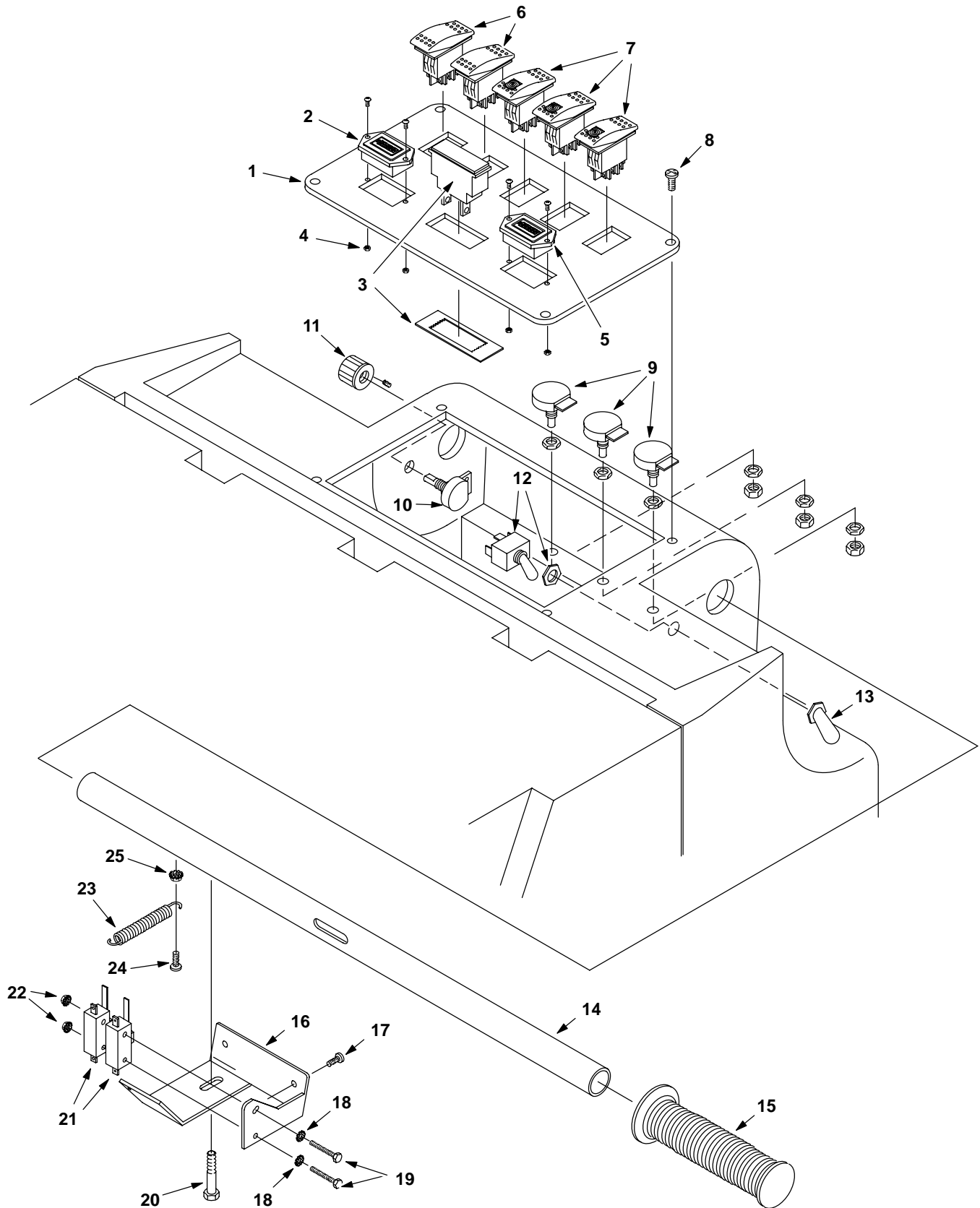
REF	PART #	DESCRIPTION	QTY.
1	607811	CHASSIS, (TEAL)	1
2	231023.BK	PANEL, REAR	1
	120649	DECAL, "WARNING" (NOT SHOWN)	1
3	240204	KNOB	5
4	140831	SCREW, 6-32x5/8	2
5	230696.BK	BRACKET, DRAIN HOSE	2
6	160231	TUBING, 1/8ID CLR VYL (4.6 FT)	1
	120243	DECAL, GALLON MARKER (NOT SHOWN)	1
7	140553	SCREW, 1/4-20	9
8	140000	WASHER, FLAT 1/4	9
9	140016	WASHER, LOCK 1/4	9
10	140440	HINGE, SOLUTION TANK	1
11	600437	SWITCH, LIMIT	1
12	200301012	WASHER, FLAT	2
13	140539	NUT, KEP 6-32	2
14	140852	SCREW, SHT MTL #12 X 3/4	2
15	231040.BK	PLATE, PLUG MOUNT	1
16	200070266	SCREW, PAN HD M03 X 16MM	2
17	579211	NUT, LOCK M03	2
18	140829	SCREW, 6-32 x 1	2
19	130155	CONNECTOR, GRAY 50A	1
20	140026	WASHER, FLAT	2
21	130367	CABLE, BATTERY 15" BLK 6 GA	2
22	600394	BATTERY, 12V, 215AH	3
23	103026	WHEEL, BUMPER	6
24	140008	WASHER, FLAT	2
25	230246.BK	BRACKET, BUMPER WHEEL (LEFT)	1
	230247.BK	BRACKET, BUMPER WHEEL (RIGHT)	1
26	140562	SCREW, 1/2 X 6 1/2	2
27	140563	BOLT, LAG 5/16 X 1	4
28	230832	ELBOW, 90° 1 1/4H X 1 1/4M	1

REF	PART #	DESCRIPTION	QTY.
29	230833	ADAPTER, PVC 1 1/4F X 1 1/2M	1
30	603094	INLET FLANGE, W/FLATS	1
31	140307	CLAMP, 1 9/16	1
32	160415	HOSE DRAIN	1
▽33	701061	ASM, PLUG	1
▲34	230831	KNOB, DRAIN HOSE	1
▲35	230882	STRAP, PLUG	1
▲36	140056	WASHER, FENDER	1
▲37	140955	PLUG, DRAIN HOSE	1
▲38	140921	SLEEVE, DRAIN HOSE	1
▲39	140072	CLAMP, EAR 1-9/16"	2
40	140025	WASHER, FLAT	8
41	140823	SCREW, 10-24 X 5/8	2
42	230109.BK	BRACKET, HOSE SUPPORT	1
43	140552	NUT, NYLOC	2
44	140201	SCREW, 3/8-16 X 3/4	8
45	103002	CASTER, 4" SWIVEL	2
46	130755	BREAKER, CIRCUIT SWITCH 10 AMP	1
47	130739	BREAKER, CIRCUIT MASTER 60 AMP	1
48	130737	BREAKER, CIRCUIT BRUSH 10 AMP	1
49	140887	SCREW, 10-24X3/8	2
50	231058.BK	PLATE, CIRCUIT	1
	120245	DECAL, CIRCUIT BREAKER (NOT SHOWN)	1
51	600969	CABLE, RED	1
52	600970	CABLE, BLACK	1
53	100709	BOX, BATTERY	1
54	469760868	CHARGER, BATTERY (120V)	1
	600599	CHARGER, BATTERY (230V)	1
55	140539	NUT, KEP	2

▽ ASSEMBLY

▲ INCLUDED IN ASSEMBLY

CONTROL CONSOLE GROUP

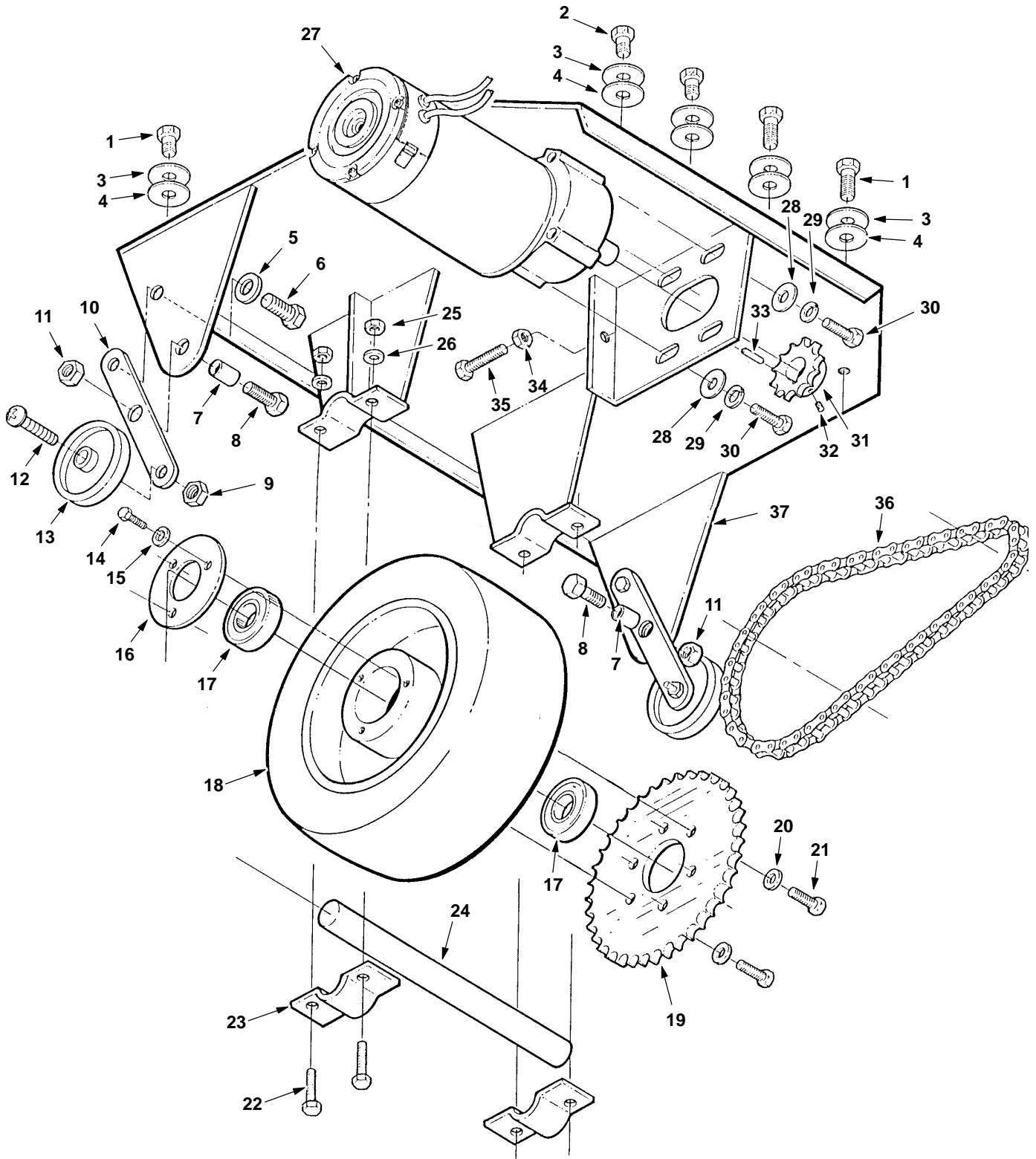


CONTROL CONSOLE GROUP

REF	PART #	DESCRIPTION	QTY.
1	609177	PLATE, CONTROL CONSOLE	1
2	630143	METER, HOUR	1
3	130046	METER, BRUSH PRESSURE	1
4	140539	NUT, 6-32 KEPS	4
5	130779	METER, BATTERY	1
6	130772	SWITCH, DPST ROCKER	2
7	601107	SWITCH, LIGHTED ROCKER	3
8	140810	SCREW, 6-32X3/8	4
9	130775	POTENTIOMETER, LOCKABLE	4
10	130776	POTENTIOMETER	1
11	606550	KNOB, SPEED CONTROL	3
12	601108	SWITCH, TOGGLE	1
13	130753	BOOT, SWITCH	1

REF	PART #	DESCRIPTION	QTY.
14	601001	TUBE, HANDLE	1
15	200823	GRIP, HANDLE	2
16	601127	BRACKET, SWITCH	1
17	140885	SCREW 1/4-20X1/2	2
18	140019	WASHER, EXT. LOCK TOOTH #6	2
19	140830	SCREW, 6-32X1-3/4	2
20	601104	SCREW, 5/16-18X3 HXHDCP	1
21	130729	SWITCH, ROLL THROTTLE	2
22	140539	NUT, KEP	2
23	601118	SPRING	1
24	140823	SCREW	1
25	140519	NUT	1

DRIVE GROUP

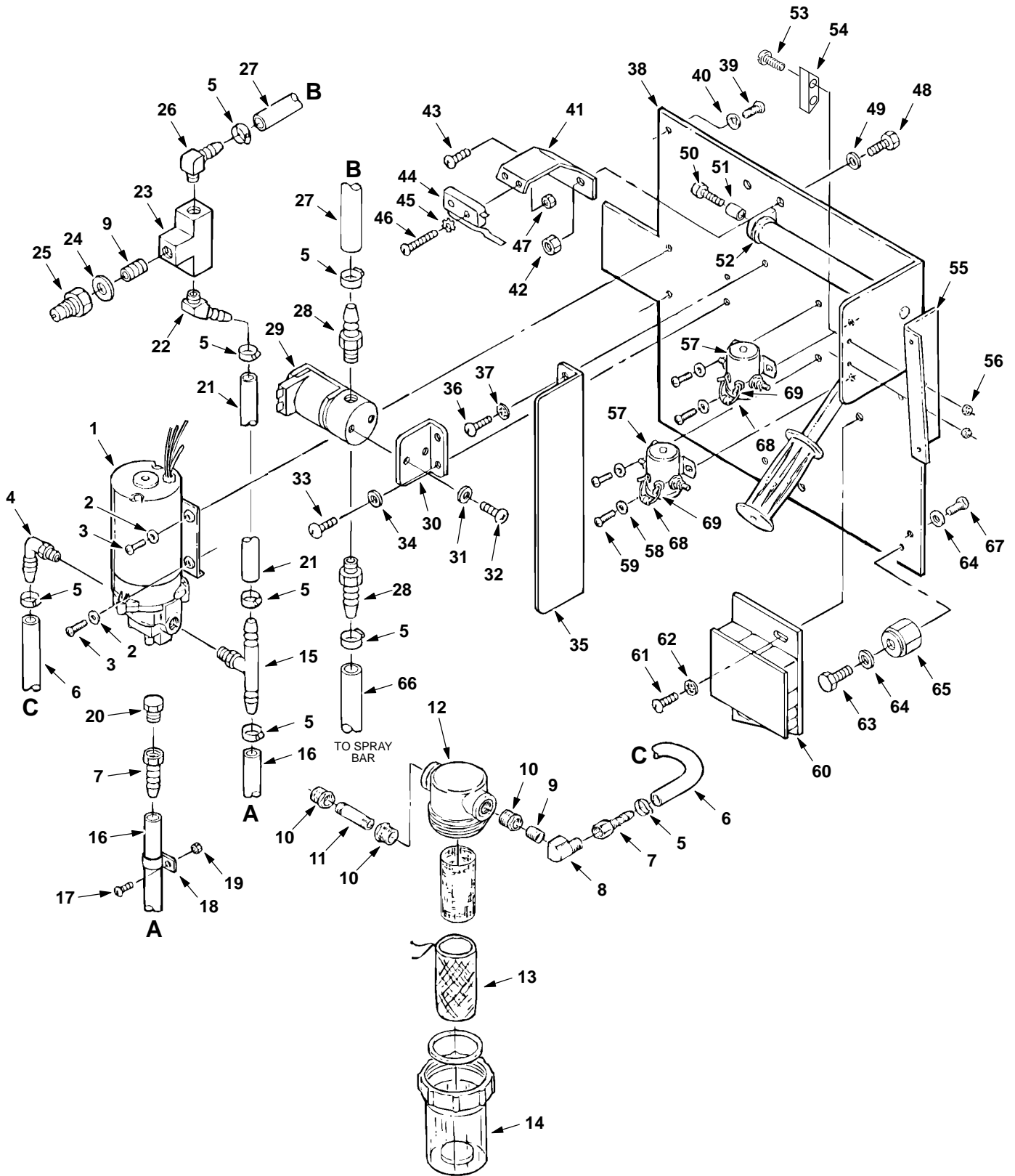


DRIVE GROUP

REF	PART #	DESCRIPTION	QTY.
1	140202	SCREW, 3/8-16 X 1	4
2	140201	SCREW, 3/8-16 X 3/4	2
3	140028	WASHER, FLAT 3/8	6
4	140008	WASHER, FLAT 1/2	6
5	140015	WASHER, LOCK 5/16	2
6	140559	SCREW, 5/16-18 X 1/2"	2
7	140911	BUSHING, SPACER 5/8	2
8	140204	SCREW, 1/2-13 X 1-1/2	2
9	140545	NUT, 3/8-16	2
10	230645.BK	PLATE, SAFETY WHEEL BACK	2
11	140509	NUT 1/2-13	2
12	140943	SCREW, 3/8-16 X 2"	2
13	103007	WHEEL	2
14	140223	SCREW, 5/16-18 X 3/4	3
15	140015	WASHER, LOCK 5/16	9
16	220120.BK	RETAINER, WHEEL BEARING	1
17	140124	BEARING, WHEEL	2
18	103027	WHEEL, DRIVE 10" X 4"	1
19	240017	SPROCKET, WHEEL DRIVE	1

REF	PART #	DESCRIPTION	QTY.
20	140015	WASHER, LOCK 5 1/6	6
21	140219	SCREW, 5/16-18 x 1	6
22	140202	SCREW, 3/8-16 X 1	4
23	140311.BK	BRACKET, WHEEL ASM.	2
24	230205	SHAFT, DRIVE WHEEL	1
25	140525	NUT, 3/8-16	4
26	140017	WASHER, LOCK 3/8	4
27	130443	MOTOR, DRIVE	1
	190153	CARBON BRUSH, (4/PK)	4
28	140046	WASHER, FLAT 3/8	3
29	140017	WASHER, LOCK 3/8	3
30	140232	SCREW, 3/8-16 X 1 1/4	4
31	240071	SPROCKET, WHEEL DRIVE	1
32	140859	SCREW, SET 1/4-20	2
33	27076	KEY, STEPPED	1
34	140545	NUT, JAM 3/8-16	1
35	140233	SCREW, 3/8-16 X 1 3/4	1
36	240019	CHAIN, DRIVE	1
37	220107.BK	BRACKET, WHEEL ASSEMBLY	1

PLUMBING SYSTEM GROUP



PLUMBING SYSTEM GROUP

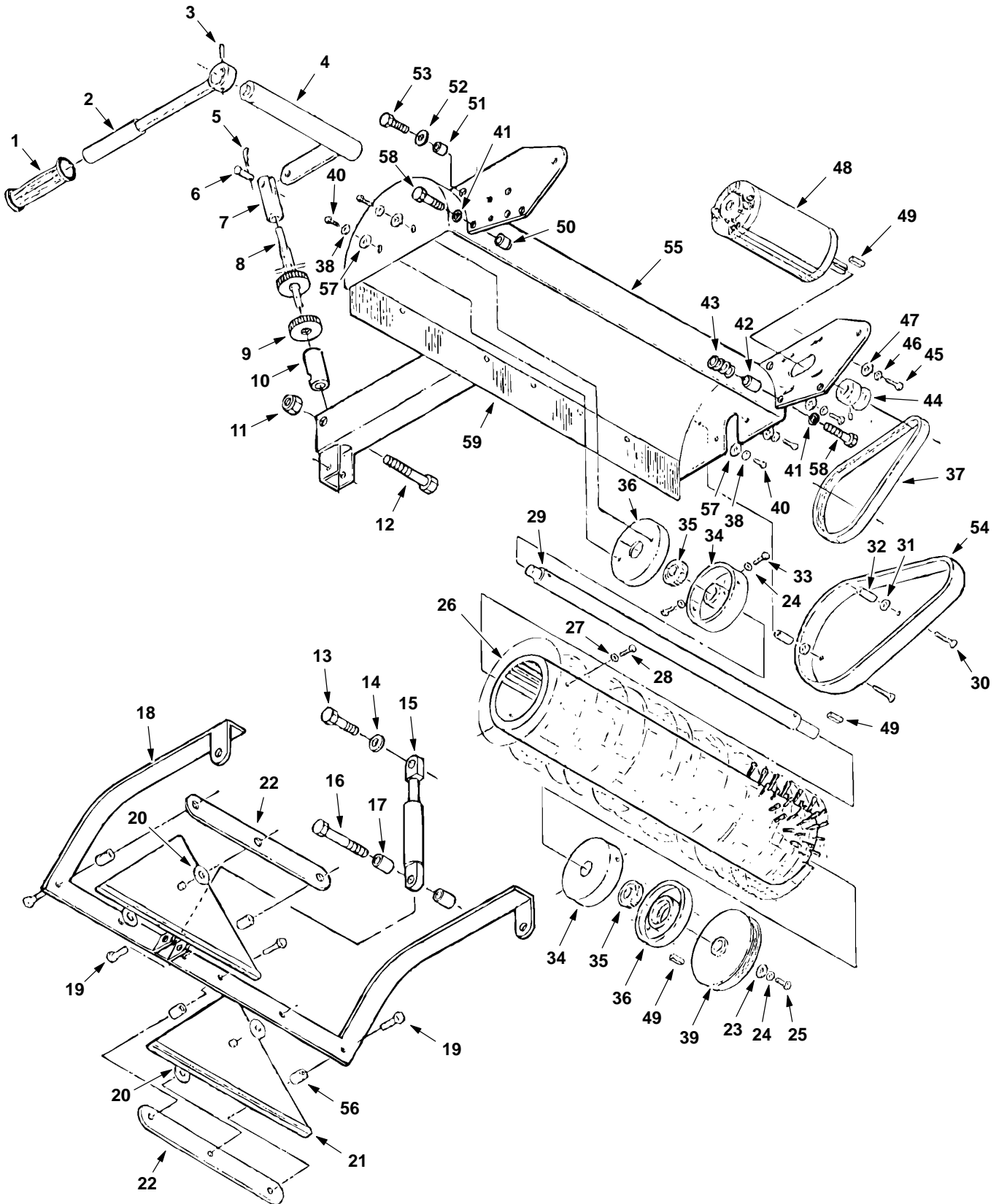
REF	PART #	DESCRIPTION	QTY.
1	601142	PUMP, 100PSI 36V	1
2	140000	WASHER, FLAT 1/4	2
3	140881	SCREW, 1/4-20 X1	2
4	150412	ELBOW, 3/8M X 3F/8H 90°	1
5	140310	CLAMP, HOSE 5/16-7/8	15
6	160207	HOSE, LP GRAY (6.66 FT)	1
7	150511	HOSE BARB 1/4F X 3/8 H	1
8	150406	ELBOW, STRT 1/4 X 90°	1
9	150615	NIPPLE, BRASS CLOSE 1/4	1
10	150006	BUSHING, 1/4 X 3/8	3
11	150600	NIPPLE, 1/4 X 2	1
∇12	180615	ASM.,INLINE STRAINER FILTER	1
▲13	180636	FILTER, SLEEVE	1
▲14	602000	BOWL, INLINE STRAINER FILTER	1
15	150715	TEE, MALE BRCH 3/8H X 3/8	1
16	160207	HOSE, 3/8 LP GRAY (3 FT)	1
17	140900	SCREW,10-24X3/4	1
18	140916	CLAMP	1
19	140552	NUT, 10-24	1
20	150206	PLUG, 1/4 NPT	1
21	160207	HOSE, 3/8 LP GRAY (.916 FT)	1
22	28303	HOSE BARB 45°	2
23	150706	TEE, 1/4	1
24	140058	WASHER, FLAT	1
25	150933	PLUG, QUICK COUPLER	1
26	150419	ELBOW, 1/4M X 3/8H 90°	1
27	160207	HOSE, 3/8 LP GRAY (.916 FT)	1
28	150525	HOSE BARB	2
29	210046	VALVE, SOLENOID 36V	1
30	600998	BRACKET, SOLENOID	1
31	140023	WASHER	2
32	140801	SCREW	2
33	140837	SCREW	2
34	140018	WASHER, INT LOCK #10	4
35	230978	PLATE, DIVIDER	1

REF	PART #	DESCRIPTION	QTY.
36	140887	SCREW, 10-24 X 3/8	4
37	140018	WASHER, INT LOCK #10	4
38	231029.BK	PLATE, CONTROL	1
39	140223	SCREW, 5/16-18 X 3/4	5
40	140015	WASHER, SPLIT LOCK 5/16	4
41	600975	BRACKET, REV. SWITCH	1
42	140546	NUT	1
43	140890	SCREW	1
44	130729	SWITCH	1
45	140019	WASHER, EXT. LOCK TOOTH	2
46	210016	SCREW	2
47	140539	NUT	2
48	140221	SCREW	2
49	140015	WASHER	2
50	140237	SCREW, 1/2-13X1"	1
51	150116	BUSHING	1
52	140040	WASHER, POLY	2
53	140868	SCREW 1/4-205/8	2
54	100721	PLATE, LOCK	1
55	220115	BRACKET, SUPPORT	1
56	140501	NUT, LOCK VYL 1/4	2
57	130733	SOLENOID, SPNO 36V	2
58	140011	WASHER	4
59	140890	SCREW	4
60	602827	BOARD, SPEED W/HEAT SINK	1
61	140887	SCREW, 10-24 X 3/8	2
62	140018	WASHER, INT LOCK #10	2
63	140259	SCREW, 1/4-20x5/8	1
64	140016	WASHER	2
65	578427	TERMINAL, STANDOFF	1
66	160207	HOSE, 3/8 LP GRAY (6.583 FT)	1
67	140554	SCREW, 1/4-20 x 3/4	1
68	130423	DIODE, 400V/6.0A	2
69	130125	TERMINAL, RING #10 16-14GA	4

∇ ASSEMBLY

▲ INCLUDED IN ASSEMBLY

BRUSH HEAD GROUP

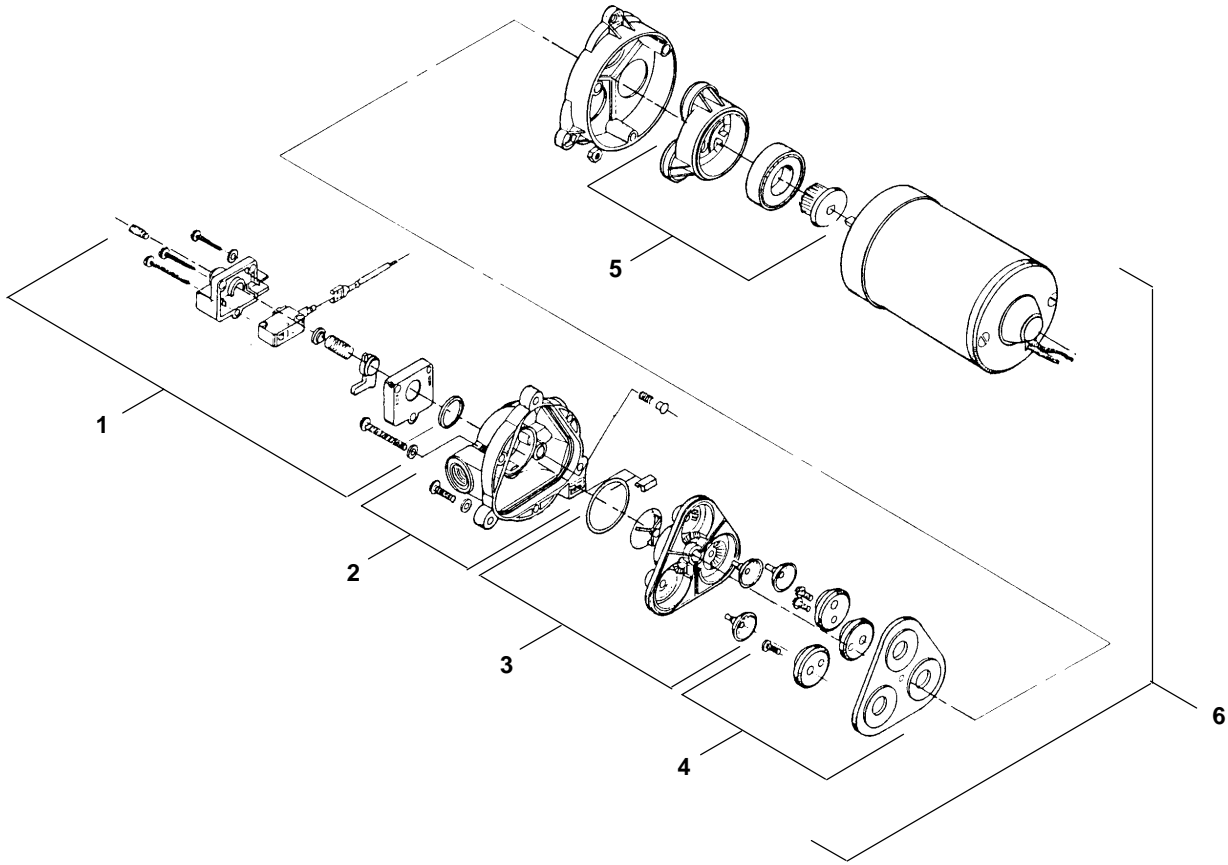


BRUSH HEAD GROUP

REF	PART #	DESCRIPTION	QTY.
1	200823	GRIP, HAND	1
2	230210	ARM	1
3	140618	PIN, ROLL	1
4	230207	SHAFT, LIFT	1
5	140626	PIN, HITCH	1
6	140608	PIN, CLEVIS	1
7	230309	CLEVIS, LIFT ROD	1
8	231038	ROD, LIFT	1
9	231037	NUT BRUSH ADJUST	1
10	231036	ADAPTER, SPRING	1
11	140516	NUT, LOCK-NYLON 1/2"	1
12	140234	SCREW, 1/4-20X3/4	1
13	140216	SCREW, 5/16-18 X 1 1/2	2
14	140027	WASHER, FLAT 5/16	2
15	140446	SPRING, GAS CYLINDER	2
16	140355	SCREW, 5/16-18 X 2 1/2	2
17	140140	BUSHING	4
18	230979.BK	BRACKET, PICKUP TOOL MOUNT	1
19	140204	SCREW, 1/2-13 X 1 1/2	4
20	140040	WASHER	4
21	604958	TOOL, PICKUP W/OFFSET LIPS	2
22	100729	PLATE, PICKUP TOOL	2
23	140003	WASHER, FENDER 1/4 X 1	1
24	140016	WASHER, LOCK 1/4	5
25	140554	SCREW, 1/4-20 X 3/4	1
26	240001	BRUSH, CYLINDER	1
27	140015	WASHER, SPLIT LOCK 5/16	4
28	140221	SCREW, 5/16-18 X 1 1/4	4
29	230206	SHAFT, BRUSH	1
30	140869	SCREW, 10-24 X 1 3/4	2

REF	PART #	DESCRIPTION	QTY.
31	140011	WASHER, FLAT 3/16	4
32	140917	SPACER, NYLON .194 X 5/16 X 1 1/2	2
33	140553	SCREW, 1/4-20 X 1/2	4
34	240014	ADAPTER, BRUSH MOUNT	2
35	140123	BEARING, BRUSH	2
36	240015	CAP, BEARING	2
37	240126	BELT, BRUSH DRIVE	1
38	140016	WASHER, LOCK 1/4	4
39	240013	SHEAVE, BRUSH SHAFT	1
40	140554	SCREW, 1/4-20 X 3/4	4
41	140016	WASHER, LOCK 1/4	1
42	230993	PIN, MANIFOLD MOUNT	1
43	578140000	SPRING	1
44	240016	SHEAVE, BRUSH MOTOR	1
45	140208	SCREW, 1/4-20 X 1	4
46	140016	WASHER, LOCK 1/4	4
47	140000	WASHER FLAT 1/4	4
48	130444	MOTOR, BRUSH 1/2 HP	1
49	140628	KEY, 3/16	2
50	230992	PIN, MANIFOLD MOUNT	1
51	140144	BUSHING .375/.380 X.500/.498	2
52	140046	WASHER, 3/8 FLAT	2
53	140202	SCREW, 3/8-16 X 1	2
54	100714	COVER, DRIVE BELT	1
55	230983.BK	BRUSH HOUSING	1
56	140911	BUSHING, SPACER 5/8	4
57	140000	WASHER, FLAT 1/4	4
58	140553	SCREW, 1/4-20 X 1/2	2
59	605081	GUARD, SPLASH	1

PUMP BREAKDOWN

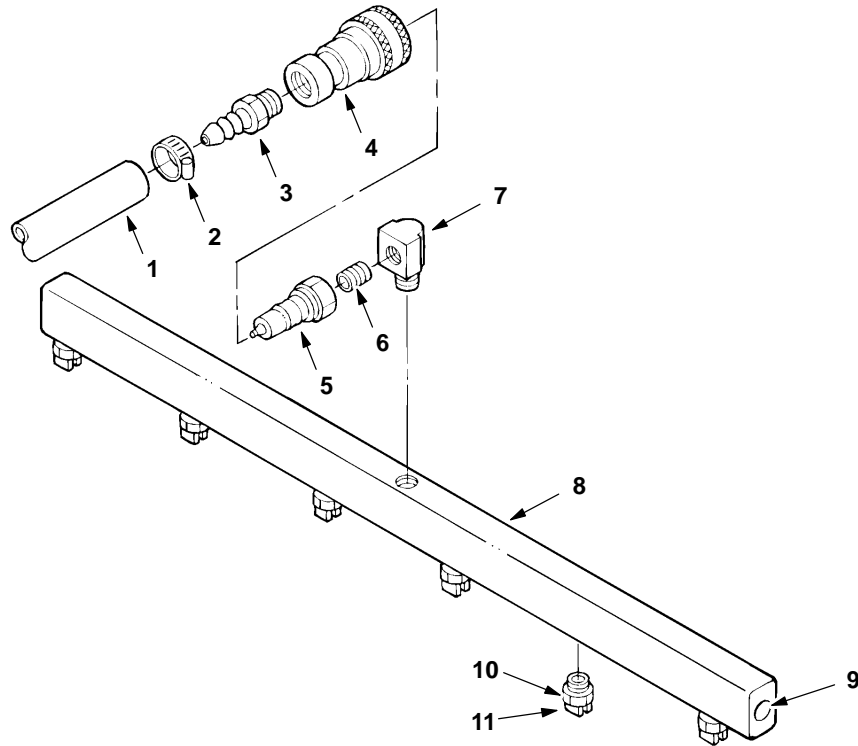


PUMP BREAKDOWN

REF	PART #	DESCRIPTION	QTY.
1	190129	KIT, PRESSURE SWITCH	1
	190172	KIT, PRESSURE SWITCH (VITON)	1
	190134	KIT, DIAPHRAGM ONLY	1
2	190128	KIT, UPPER PUMP HOUSING	1
	190124	KIT, CHECK VALVE ONLY	1

REF	PART #	DESCRIPTION	QTY.
3	190171	KIT, VALVE (VITON)	1
4	190131	KIT, SERVICE	1
5	190130	KIT, LOWER PUMP HOUSING	1
6	601142	PUMP, 100 PSI, 36V	1

SPRAY BAR GROUP



SPRAY BAR GROUP

REF	PART #	DESCRIPTION	QTY.
1	160207	HOSE, 3/8 LP GRAY (6.583 FT)	1
2	140310	CLAMP, HOSE 5/16-7/8	1
3	150516	HOSE BARB 1/4M X 3/8H	1
4	150913	COUPLER, QUICK FEMALE	1
▽	601143	ASM., SPRAY BAR	1
▲5	150933	PLUG, QCK COUPLER	1
▲6	150615	NIPPLE, 1/4 CLOSE	1

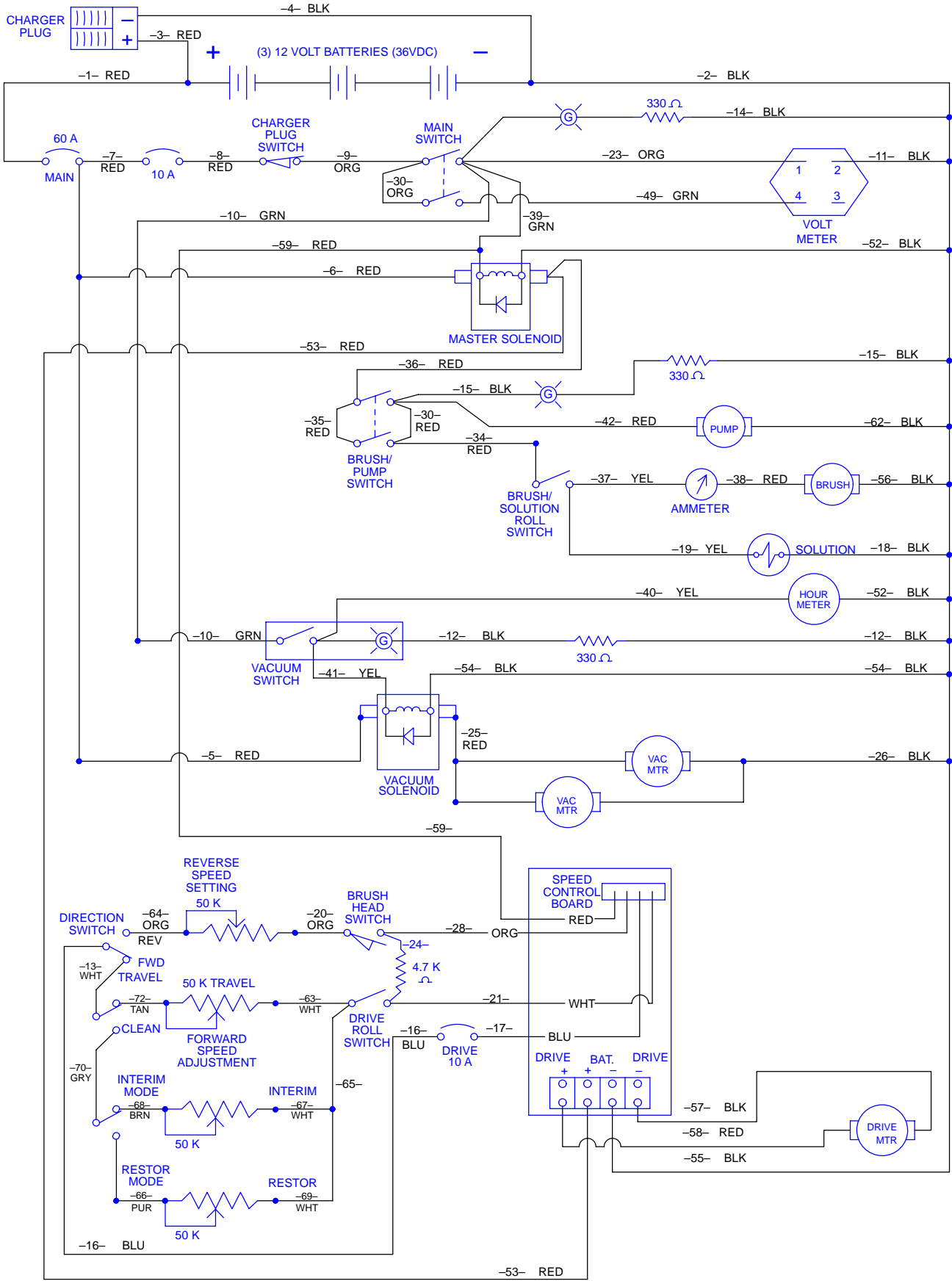
REF	PART #	DESCRIPTION	QTY.
▲7	150430	ELBOW, STRT 1/8M X 1/4F 90°	1
▲8	230974	SPRAY BAR 6 JET	1
▲9	150208	PLUG 1/8	2
▲10	201008	SPRAY NOZZLE 1/8	6
▲11	603092	TIP, SPRAY QUICK JET 1002	6
N/S	120248	DECAL, FRONT	1

▽ ASSEMBLY

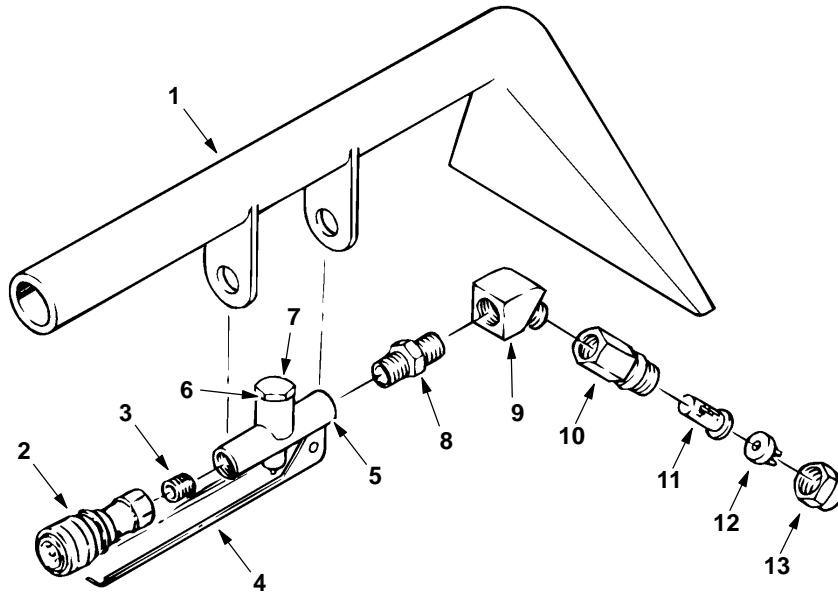
▲ INCLUDED IN ASSEMBLY

N/S= NOT SHOWN

LADDER DIAGRAM



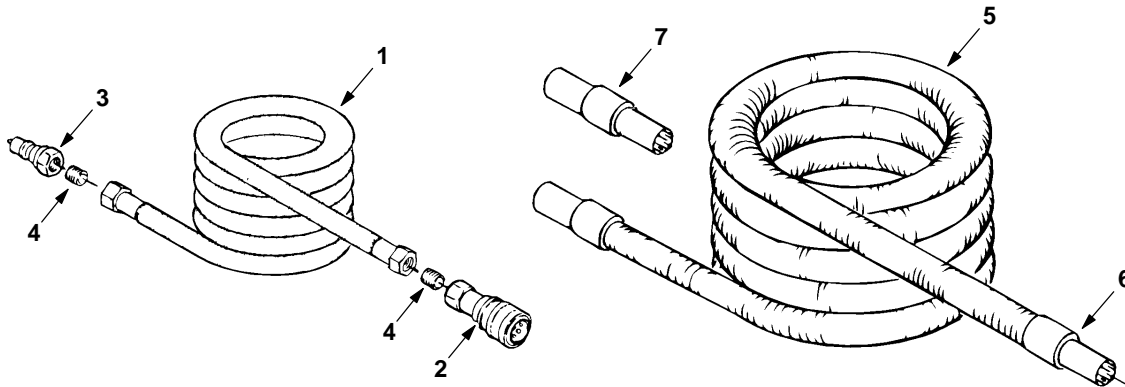
127 mm (5 inch) HAND TOOL



REF	PART #	DESCRIPTION	QTY.
	200505	TOOL, HAND (COMPLETE)	1
1	200431.BK	TOOL, HAND	1
2	150913	COUPLER, QUICK (SER. 60)	1
3	150615	NIPPLE, CLOSE	1
4	200905	TRIGGER, HAND TOOL	1
5	210210	VALVE, FLOW CONTROL	1
6	190600	VALVE PIN & SPRING (NOT SHOWN)	1

REF	PART #	DESCRIPTION	QTY.
7	N/A	CAP, VALVE	1
8	150606	NIPPLE, HEX 1/4	1
9	150403	ELBOW, ST 1/4 45°	1
10	200992	BODY, SPRAY 1/4F	1
11	200996	SCREEN, SPRAY NOZZLE	1
12	200965	TIP, SPRAY #8002	1
13	20094	CAP, SPRAY BODY	1

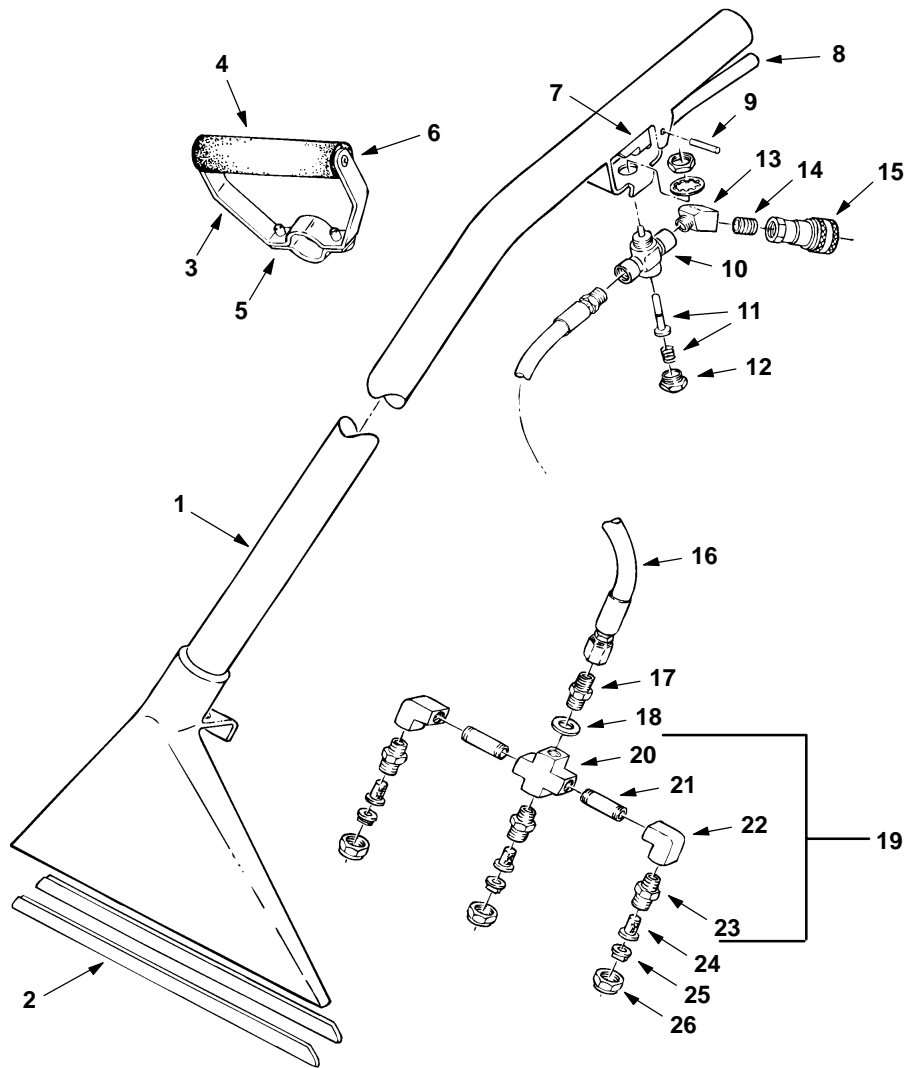
SOLUTION AND VACUUM HOSES



REF	PART #	DESCRIPTION	QTY.
1	160186	HOSE, SOLUTION 25'	1
2	150913	COUPLER, QUICK SER. 60	1
3	150933	PLUG, QUICK COUPLER	1
4	150615	NIPPLE	2

REF	PART #	DESCRIPTION	QTY.
5	160401	HOSE, VACUUM 25 W/ CUFFS	1
6	160430	CUFF, HOSE 1-1/2"	2
7	160451	CONNECTOR, VACUUM HOSE 1-1/2"	1

FLOOR TOOL



REF	PART #	DESCRIPTION	QTY.
	600048	FLOOR TOOL (COMPLETE)	1
1	200403.BK	TOOL, FLOOR	1
2	200939	SHOES, FLOOR TOOL	2
▽3	200927	GRIP, ADJUSTABLE	1
▲4	200912	FOAM, GRIP	1
▲5	140259	SCREW, 1/4X3/4	2
▲6	140834	SCREW, 1/4-20X5/8	2
7	200902	TRIGGER, FLOOR TOOL	1
8	200809	SLEEVE, TRIGGER	1
9	140605	PIN	1
	140520	NUT, PUSH (NOT SHOWN)	2
10	210150	VALVE, FLOW CONTROL	1
11	190603	KIT, VALVE PIN & SPRING	1
12	N/A	CAP, HEX, VALVE	1

REF	PART #	DESCRIPTION	QTY.
13	150403	ELBOW, 1/4-45°	1
14	150615	NIPPLE, CLOSE 1/4	1
15	150913	COUPLER, QUICK SER. 60	1
16	160170	HOSE, 1/4 HP W/ SWEDGE	1
17	150606	NIPPLE, HEX 1/4"	1
18	140058	WASHER	1
▽19	700062	ASM., SPRAY BAR	1
▲20	150700	CROSS	1
▲21	150600	NIPPLE	2
▲22	150401	ELBOW, 90° 1/4FX1/4F	2
▲23	200993	SPRAY BODY	3
24	200996	SCREEN, SPRAY BODY	3
25	200964	TIP	3
26	200994	CAP, SPRAY BODY	3

▽ Assembly

▲ Included in Assembly