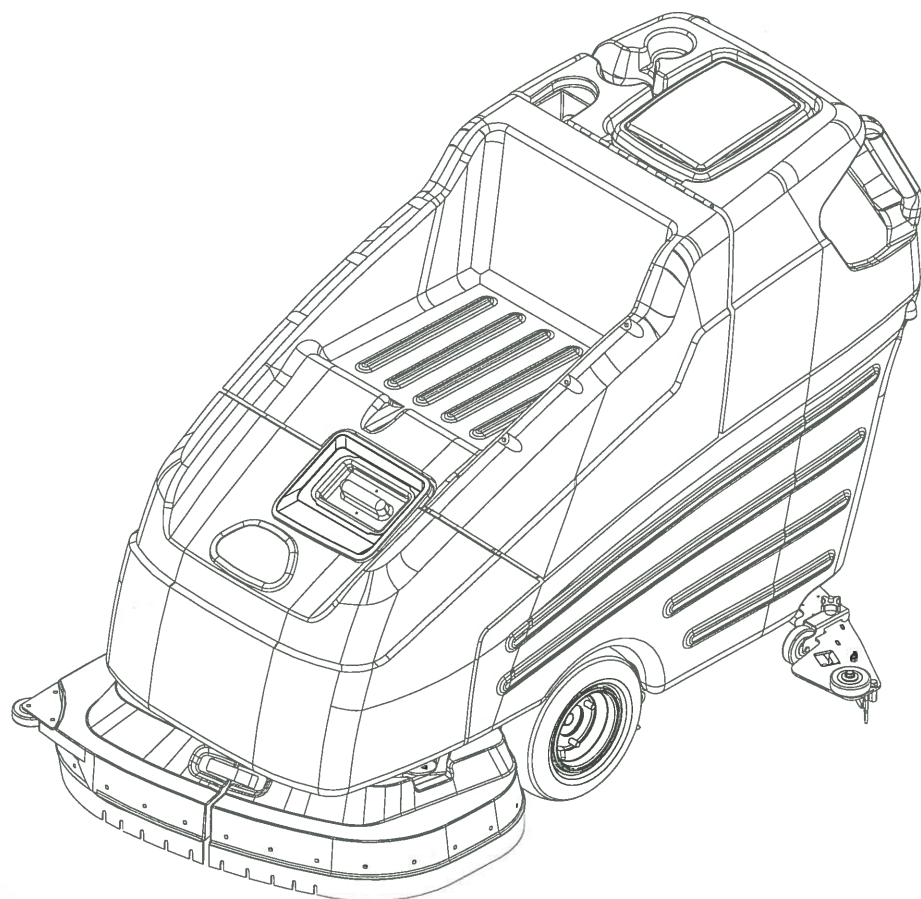


BD 80/120 W Bp
BD 80/120 W Bp Pack



Deutsch	3
English	12
Français	21
Italiano	30
Nederlands	39
Español	48
Português	57
Dansk	66
Norsk	74
Svenska	82
Suomi	90
Ελληνικά	98
Türkçe	107
Русский	116
Magyar	126
Čeština	135
Slovenščina	144
Polski	152
Românește	161
Slovenčina	171
Hrvatski	180
Srpski	189
Български	198
Eesti	207
Latviešu	215
Lietuviškai	224
Українська	233

Register and win!
www.karcher.com!



59622080 07/10



Please read and comply with these original instructions prior to the initial operation of your appliance and store them for later use or subsequent owners.

Contents

Safety instructions	EN - 1
Function	EN - 1
Proper use	EN - 1
Environmental Protection, Disposal	EN - 1
Operating and Functional Elements	EN - 2
Before Commissioning	EN - 3
Operation	EN - 4
Shutting Down the Appliance	EN - 5
Frost protection	EN - 5
Transport	EN - 5
Storage	EN - 5
Maintenance and care	EN - 5
Faults	EN - 7
Accessories	EN - 8
Specifications	EN - 8
Spare parts	EN - 8
Warranty	EN - 8
CE declaration	EN - 9

Safety instructions

Before using the appliance for the first time, read and observe these operating instructions and the accompanying brochure:

Safety information for brush cleaning units and spray-extraction units, No. 5.956-251. The machine has been approved for use on surfaces with gradients of up to 2%.

The appliance may only be operated when the hood and all lids are closed.

Safety Devices

Safety devices serve to protect the user and must not be rendered inoperational or their functions bypassed.

Emergency-stop button

To put all functions out of operation immediately.

Symbols

The following symbols are used in this operating manual:

Danger

Immediate danger that can cause severe injury or even death.

Warning

Possible hazardous situation that could lead to severe injury or even death.

Caution

Possible hazardous situation that could lead to mild injury to persons or damage to property.

Function

The scrubber vacuum is used for wet cleaning or polishing of level floors.

- It can be easily adjusted to suit the required cleaning task by adjusting the water quantity, the contact pressure of the brushes and the waste water suction.
- A working width of 810 mm and a capacity of 120 l of the fresh and dirt water reservoirs enable an effective cleaning when the machine is to be used for a longer period of time.
- The device is self-moving; the drive motor is powered by six batteries.
- The batteries can be charged using a charger connected to a 230 V socket.
- The battery is already integrated in the package model.
- The package model also includes a charger.

Note

The appliance can be equipped with various accessories depending on the cleaning task.

Please request our catalogue or visit us on the Internet at www.kaercher.com.

Proper use

Use this appliance only as directed in these operating instructions.

- The appliance may only be used for the cleaning of hard surfaces that are not sensitive to moisture and polishing operations.
- The appliance is not suited for the cleaning of frozen grounds (e.g. in cold stores).
- The appliance may only be equipped with original accessories and spare parts.
- The appliance is not suited for the use in potentially explosive environments.
- The machine should not be used to suck in inflammable gases, undiluted acids or solvents.
This includes petrol, thinning agents or hot oil that can form an explosive mixture when it comes in contact with sucked air. Do not use acetone, undiluted acids and solvents as they are aggressive towards the materials from which the appliance is made.
- Reactive metal dusts (for e.g. aluminium, magnesium, zinc) can form explosive gases when they come in contact with highly alkaline or acidic detergents.
- The machine has been approved for use on surfaces with gradients of up to 2%.

Environmental Protection, Disposal



The packaging materials are recyclable. Please do not throw packaging in the domestic waste but pass it on for recycling.

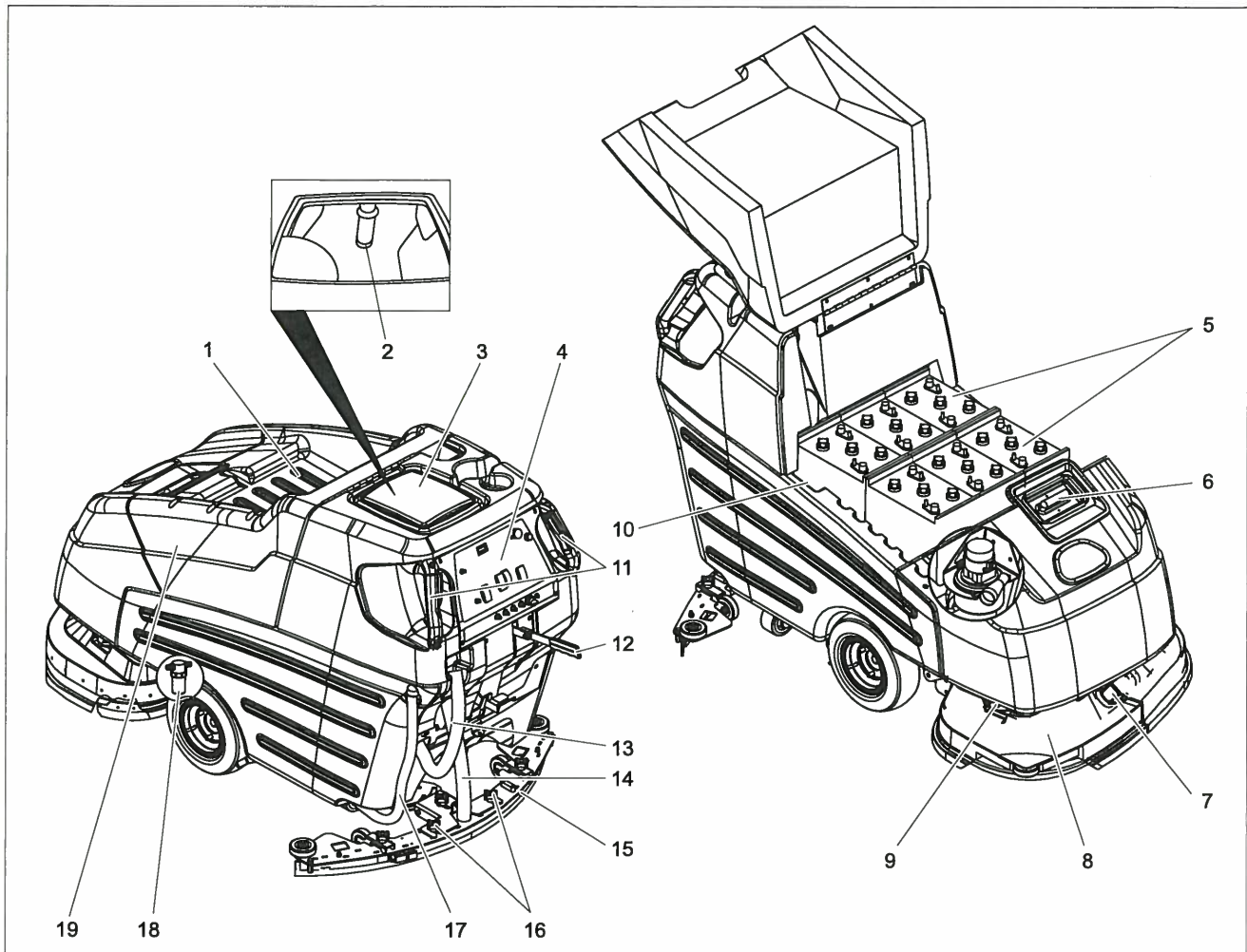


Old units contain valuable recyclable materials. Batteries, oil and similar substances may not be released into the environment. Therefore please dispose of old units through suitable collection systems.

Notes about the ingredients (REACH)

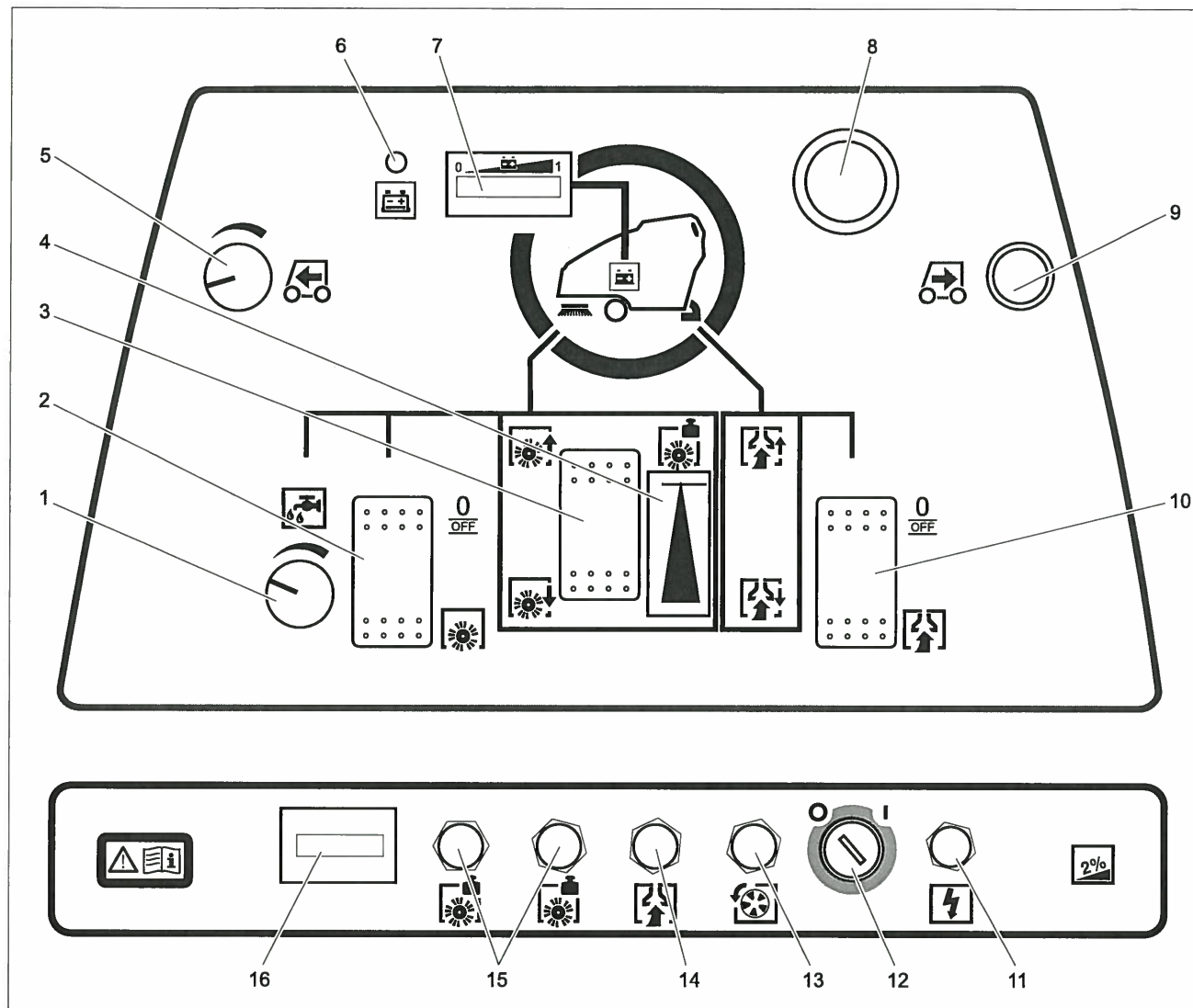
You will find current information about the ingredients at:

<http://www.kaercher.de/de/unternehmen/umweltschutz/REACH.htm>



- 1 Rest
- 2 Float
- 3 Dirt water reservoir
- 4 Operator console
- 5 Battery
- 6 Fresh water tank
- 7 Lock for spray-guard
- 8 Cleaning head
- 9 Holder for spray-guard
- 10 Battery socket
- 11 Sliding handle with drive switch
- 12 Vacuum bar lowering lever
- 13 Dirt water discharge hose
- 14 Suction hose
- 15 Vacuum bar
- 16 Cross handles for fastening the vacuum bar
- 17 Drainage hose for fresh water
- 18 Fresh water filter
- 19 Battery cover

Operator console



- 1 Water quantity regulator
- 2 Switch for brush drive
- 3 Switch for brush contact pressure
- 4 Display for brush contact pressure
- 5 Rotating button for drive speed
- 6 Empty battery indicator lamp
- 7 Battery control display
- 8 Emergency-stop button (turn to release)
- 9 Switch for reverse drive
- 10 Switch for vacuuming
- 11 Fuse for controls
- 12 Key switch
- 13 Fuse for traction drive
- 14 Fuse for suction turbine
- 15 Fuse for brush drive
- 16 Operating hour counter

Before Commissioning

Installing the Brushes

The sweep brushes must be installed before the initial operation (see "Maintenance work").

Batteries

Please observe the following warning notes when handling batteries:

	Observe the directions on the battery, in the instructions for use and in the vehicle operating instructions
	Wear eye protection
	Keep children away from acid and batteries
	Danger of explosion

	Fire, sparks, naked flames and smoking must be strictly avoided
	Danger of chemical burns
	First aid
	Warning note
	Disposal
	Do not throw the battery into the regular waste

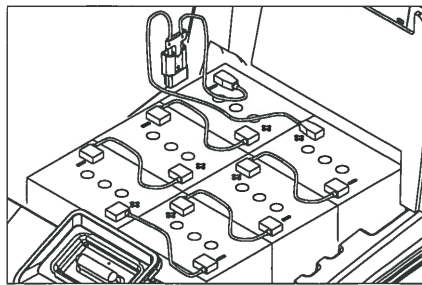
Danger

Danger of explosion. Do not put tools or similar on the battery, i.e. on the terminal poles and cell connectors. Risk of injury. Ensure that wounds never come into contact with lead. Always clean your hands after having worked with batteries.

Insert batteries and connect

The BAT package model contains built-in batteries.

- Tilt up the battery cover.
- Insert the batteries in the battery compartment.



- Grease the battery poles using pole grease.
- Connect poles with the enclosed connecting cables.

⚠ Warning

Pay attention to correct poles.

- Connect the connection cable to the free battery poles (+) and (-).
- Close the battery cover.

⚠ Warning

Charge the battery before commissioning the machine.

Battery load indicator

The load status of the battery is displayed with leds on the battery control display. Deep battery discharge is indicated as follows:

- The leds on the left side of the display are blinking on the battery control display.
- The empty battery indicator lamp turns on.
- A warning beeps if a drive switch is pressed.

Protection against deep discharge:

- Switch the suction turbine and the side brushes off.
- Drive the machine directly to the charging station; avoid any steep gradients in the process.

Charging battery

⚠ Danger

Danger of explosion. Wet batteries can only be charged with opened battery cover.

⚠ Danger

Risk of injury on account of electric shock. Ensure proper mains connection voltage and the socket fuse.

Use the charger only in dry rooms with sufficient ventilation!

Note

Average charging time is approx. 10 -15 hours.

The recommended chargers (matching the batteries used) are regulated electronically and will automatically switch off the charging process.

All functions of the machine are automatically interrupted during the charging process.

- Tilt up the battery cover.
- Remove battery plug and join it to the charging cable.
- Connect the charger to the mains and turn it on.

Further, in case of maintenance-free batteries (wet batteries):

- Add distilled water one hour before the charging process comes to an end; follow the correct acid level. There are corresponding indicators on the battery.

⚠ Danger

Danger of causticization!

- Adding water to the battery in its discharged state can cause the acid to leak.
- Use safety glasses while handling battery acid and follow the safety instructions to avoid personal injury or damage to clothes.
- Should the acid spray on to the skin or clothes, rinse immediately with lots of water.

Caution

Risk of damage!

- Use only distilled or desalinated water (EN 50272-T3) for filling the battery.
- Do not add any substances (so-called performance improving agents), else warranty claims will not be entertained.

⚠ Warning

Only use maintenance-free batteries while replacing batteries in package appliances.

Recommended batteries

Manufacturer, Kärcher order no.	Description
DETA 6.654-124.0	Battery, 6 V, 180 Ah, maintenance-free, 6 pieces required

Recommended chargers

Kärcher Order No.	Description
6.654-051.0	230V/36V, 25 A

It is necessary to have a power supply cable/ adapter 6.649-582 for the charger. Batteries and chargers are available in specialised stores.

Removing the batteries

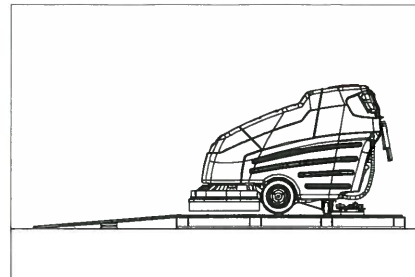
- Tilt up the battery cover.
- Clamp off the minus pole of the battery.
- Clamp off the remaining cables from the battery.
- Remove the batteries.
- Dispose of the used batteries according to the local provisions.

Unloading

⚠ Danger

Risk of injury. Press emergency-stop switch to immediately switch off all functions of the machine.

- Insert batteries and connect (see "Before Start-up").
- Place long lateral boards of the packaging as a ramp next to the pallet.



- Fix the ramp on the pallet with nails.
- Place short boards as a support underneath the ramp.
- Remove the wooden bars in front of the wheels.
- Remove fastening bracket at the axle.
- Set main switch to "1".
- Lift the cleaning head.
- Press the driving lever and slowly move the machine down from the ramp.
- Set main switch to "0".

Operation

Note

Press the emergency-stop button to immediately deactivate all functions and turn the key switch to the "0" position.

⚠ Danger

Risk of injury. Press on the foot pedal only with one foot. The other foot must firmly be placed on the floor. Press emergency-stop switch to immediately switch off all functions of the machine.

- Carry out maintenance jobs "daily before starting work" (see section "Maintenance and Care").

Driving

Note

The machine is designed in such a way that the brush head protrudes on the right. This helps in working in a proper way even close to the edges.

The machine has been approved for use on surfaces with gradients of up to 2%.

- Release emergency-stop button by turning.
- Insert key in key switch at the operator console and turn to "1".
- First select the driving speed at the rotary knob.
- Hold the device firmly at both the sliding handles and press one driving switch - the device will move.
- Release the driving switch to stop it.

Reverse drive

- Also press the switch for reverse drive in addition to the drive switch.

Filling in detergents

Fresh water

- Open the cover of the fresh water reservoir.
- Fill fresh water (max. 60 °C) until 15 cm below the upper edge of the tank.
- Pour in detergent.
- Close the cover of the fresh water reservoir.

Detergent

⚠ Warning

Risk of damage. Only use the recommended detergents. With respect to different detergents the operator bears the increased risk regarding the operational safety and danger of accident.

Only use detergents that are free from solvents, hydrochloric acid and hydrofluoric acid.

Follow the safety instructions for using detergents.

Note

Do not use highly foaming detergents.

Recommended detergents:

Application	Detergent
Routine cleaning of all water resistant floors	RM 780 RM 746
Routine cleaning of glossy surfaces (e.g. granite)	RM 755 es
Routine cleaning and basic cleaning of industrial floors	RM 69 ASF
Routine cleaning and basic cleaning of fine stone-ware tiles	RM 753
Routine cleaning of tiles in sanitary areas	RM 751
Cleaning and disinfection in sanitary areas	RM 732
Removal of coating from all alkali-resistant floors (e.g. PVC)	RM 752
Removal of coating from linoleum floors	RM 754

Cleaning

- Set the water quantity at the regulation knob for water quantity according to the dirt level and the type of flooring.
- Lower the lever for lowering the vacuum bar downwards; the vacuum bar is lowered.
- Switch on the suction turbine using the vacuuming switch.
- Switch on the brush operations using the brush operations switch.
The brushes will start automatically when driven forward; at the same time, the detergent solution is led in.
- Lower the cleaning head using the brush contact pressure switch.
- Press drive switch.

- Adjust the contact pressure using the brush contact pressure switch while the brushes are turning.

The contact pressure that has been set can be read in the contact pressure display.

Note

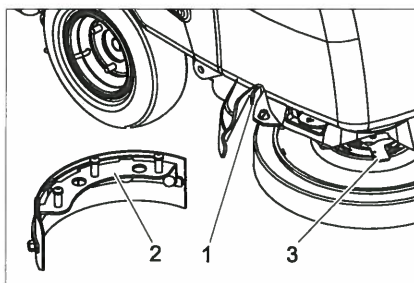
Carry out initial cleaning attempts with low contact pressure. Slowly increase the contact pressure till the desired cleaning result is achieved. Correctly set contact pressure saves power and wear and tear of the brushes.

Note

Very dirty floors can be cleaned in two rounds. In the first work step, the detergent liquid is applied and brushed in. The first round is carried out with raised vacuum bar and the suction turbine being switched off. Further, the Aqua-Mizer™ at the cleaning head is also removed. The surface is cleaned normally in the second step after the detergent has worked normally.

Removing Aqua-Mizer

- Lift the cleaning head.
- Turn key to "0" and remove it.
- Open the lock of spray-guard.
- Move both the spray-guard halves towards the sides.



- 1 Aqua-Mizer unlocking lever
- 2 Aqua-Mizer
- 3 Unlocking lever for sliding brushes

- Turn the unlocking lever of the sliding brush in an anti-clockwise direction - the brushes will fall downward and can be pulled outward at the bottom of the device.
- Pull the unlocking lever of the Aqua-Mizer towards the sides and remove the Aqua-Mizer downward.
- Re-insert the brush.
- Repeat process on the opposite side.
- Replace the spray-guard.

Shutting Down the Appliance

- Switch off the brush drive.
- Lift the cleaning head.
- Briefly drive forward and suck of the remaining water.
- Raise the vacuum bar.
- Switch off the suction turbine after 5 seconds.
- Set the key switch at the operator console to "0" and remove the key.
- Charge battery, if required.

Drain off dirt water

Caution

Please observe the local provisions regarding the wastewater treatment.

- Remove the dirt water drain hose from the holder.
- Loosen the toggle handle and remove the stopper from the hose.
- Lower the drain hose into a suitable collector and drain off the dirt water.
- Rinse the dirt water tank with clear water.

Drain off clean water

- Pull out the upper end of the fresh water drain hose from the hose nipple.
- Lower the drain hose into a suitable collector and drain off the fresh water.

Frost protection

In case of danger of frost:

- Empty the fresh and dirt water reservoirs.
- Store the appliance in a frost-protected room.

Transport

⚠ Danger

Risk of injury! When loading or unloading the machine, it may only be operated on gradients of max. 10%. Drive slowly.

Caution

Risk of injury and damage! Observe the weight of the appliance when you transport it.

- Remove brushes from the brush head.
- When transporting in vehicles, secure the appliance according to the guidelines from slipping and tipping over.

Storage

Caution

Risk of injury and damage! Note the weight of the appliance in case of storage. This appliance must only be stored in interior rooms.

Maintenance and care

⚠ Danger

Risk of injury! Before carrying out any tasks on the machine, set the main key to "0" and remove it. Pull out the battery plug.

- Drain and dispose of the dirt water and the residual fresh water.

Maintenance schedule

Daily

Caution

Risk of damage. Do not wash down the appliance with water and do not use aggressive detergents.

Before starting working:

- Check the inserts of the suction hose for leaks.
- Check the brushes for wear, replace if required.

- Check cables and joints for wear and tear and damage.
- Check acid level in wet batteries; refill distilled water, if required.

After finishing working:

- Drain off dirt water.
- Rinse the dirt water tank with clear water.
- Clean the sieve in the lid of the dirt water tank.
- Clean fresh water tank.
- Clean the outside of the appliance with a damp cloth which has been soaked in mild detergent.
- Clean the vacuum lips and the wiping lips, check for wear and replace if required.
- Switch on the suction for drying the system.
- Do not close the lids of the fresh water and dirt water tanks so that the tanks can dry up.
- Charge battery.

Weekly

- Check spray-guard at the cleaning head.
- Clean the seals between dirt water reservoir and cover and check for tightness, replace if required.
- Check the setting of the vacuum bar.

Monthly

- Lubricate the drive axle and the steering rollers.
- Check the vacuum bar for damages.
- Check functioning of the appliance.
- Check brush carrier of the device for wear.

Every 100 operating hours

- Check battery pole for oxidation; brush it if required and lubricate it using pole grease. Ensure that the connection cable sits firmly.
- Check the acid density of the cells if the batteries are not maintenance-free batteries.
- Clean vacuum bar elevation.
- Clean the joints at the vacuum bar attachment and at the cleaning head.
- Check carbon brushes and commutators of all motors for wear and tear. *

* To be done by Customer Service.

Yearly

- Have the prescribed inspection carried out by the customer service.

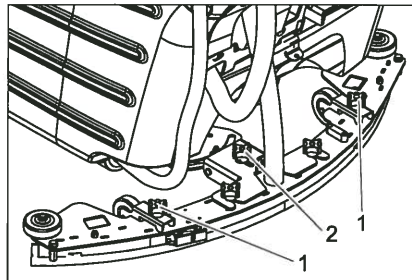
Maintenance Works

Maintenance contract

To ensure a reliable operation of the appliance maintenance contracts can be concluded with the competent Kärcher sales office.

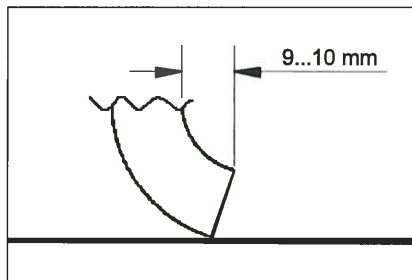
Setting the Vacuum Bar

- Drive the device on a smooth surface.
- Lower the lever for lowering the vacuum bar downwards; the vacuum bar is lowered.
- Drive at least 60 cm forward.
- Stop the device, turn key to "0" and remove it. Ensure that the device does not roll backward.



- 1 Cross-handle for height adjustment
- 2 Levelling adjustment

- Align the vacuum bar using the cross-handles in such a way that the rear vacuum lip is bent backward (symmetrical to the centre) on both sides of the vacuum bar.
- Adjust the levelling in such a way that the rear vacuum lip is bent much towards the back across the entire length.
- To check the setting, drive 60 cm forward and check the effect of the new setting.



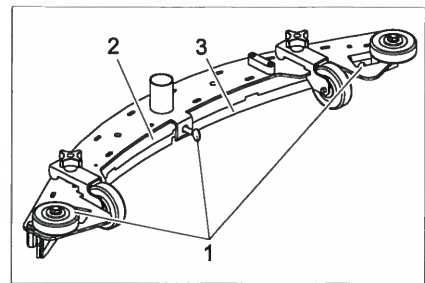
- Adjust the vacuum bar by simultaneously turning both the cross-handles in such a way that the rear vacuum lip is bent almost 9 to 10 mm backward. In clock-wise direction: Bend is lesser. Anti-clockwise direction: Bend becomes larger.
- To check the setting, drive 60 cm forward and check the effect of the new setting.

Dismantling the vacuum bar

- Raise the vacuum bar.
- Turn key to "0" and remove it.
- Pull out the suction hose from the vacuum bar.
- Loosen the cross-handles of the vacuum bar fastening and pull out the vacuum bar downwards.

Turn/ replace front vacuum lip

- Dismantle the vacuum bar.



- 1 Wing bolt
- 2 Pressure plate
- 3 Vacuum lip

- Loosen the wing nuts.
- Remove the pressure plate.
- Take out the vacuum lips.

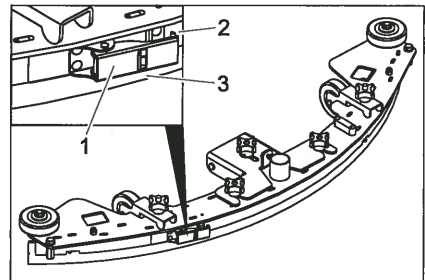
Note

The vacuum lips can be turned thrice till all edges are worn off. After that you need a new vacuum lip.

- Turn the vacuum lip or replace and insert it back into the vacuum bar and align.
- Replace pressure plate.
- First tighten the central wing bolt. Ensure that the pressure plate is lying firmly on the vacuum lip.
- Tighten the remaining wing bolts.

Turn/ replace rear vacuum lip

- Dismantle the vacuum bar.



- 1 Clamping lock
- 2 Strap
- 3 Vacuum lip

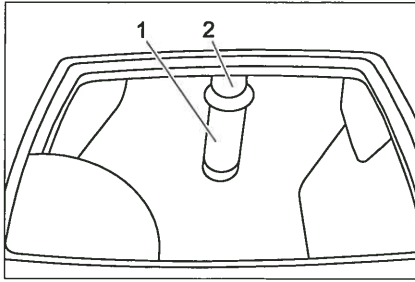
- Open the clamping lock and remove the strap.
- Take out the vacuum lips.

Note

The vacuum lips can be turned thrice till all edges are worn off. After that you need a new vacuum lip.

- Turn the vacuum lip or replace and insert it back into the vacuum bar and align.
- Insert the strap and close the clamping lock. The tension must just be sufficient to hold the vacuum lip without wrinkling. Adjust the clamping lock, as required.

Cleaning the floater



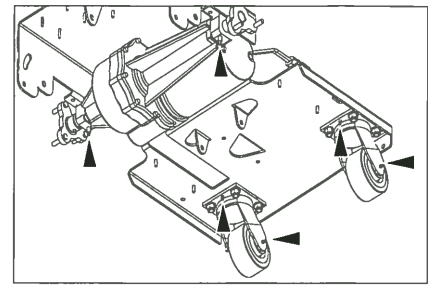
- 1 Sieve with floater ball
- 2 Pipe

- Clean the sieve from the outside and rinse it.
- Check the mobility of the floater ball.
- If it is too dirty:**
- Hold the pipe firmly and pull out the sieve from the pipe.
- Clean sieve and ball.
- Hold the pipe firmly and reinsert the sieve.

Replacing the Disk Brushes

- Lift the cleaning head.
- Turn key to "0" and remove it.
- Open the lock of spray-guard.
- Move both the spray-guard halves towards the sides.
- Turn the unlocking lever of the sliding brush in an anti-clockwise direction - the brushes will fall downward and can be pulled outward at the bottom of the device.
- Hold the new brush under the cleaning head.
- Turn the unlocking lever of the sliding brush in clockwise direction and press the brush upward.
- Release the unlocking lever and check that the brush is sitting properly.
- Repeat process on the opposite side.
- Replace the spray-guard.

Lubricating the drive axle and the steering rollers



- Lubricate the greasing nipple with a grease press.

Faults

⚠ Danger

Risk of injury! Before carrying out any tasks on the machine, set the main key to "0" and remove it. Pull out the battery plug.

- Drain and dispose of the dirt water and the residual fresh water.

In case of faults that cannot be remedied using the table below please contact the customer service.

Fault	Remedy	By whom
Appliance cannot be started	Insert the battery plug on the device.	Operator
	Release emergency-stop button by turning.	Operator
	If battery is low, charge the battery.	Operator
	Check battery cable for correct sitting.	Operator
	Check battery cable for corrosion; clean, if required.	Operator
Device does not drive or drives only slowly	Reset fuse of traction drive	Operator
	Drive wheels are not gripping due to high brush contact pressure; reduce the brush contact pressure.	Operator
	Control system overheated; switch off device and let it cool down.	Operator
Insufficient vacuum performance	Empty the dirt water reservoir.	Operator
	Check the setting of the vacuum bar.	Operator
	Clean the seals between dirt water reservoir and cover and check for tightness, replace if required.	Operator
	Clean the vacuum lips on the vacuum bar, turn or replace if required	Operator
	Check suction hose for blockages; clean if required.	Operator
	Check connection between suction hose and vacuum bar and suction hose and the device.	Operator
	Check the suction hose for tightness; replace if required.	Operator
	Check if the cover on the dirt water discharge hose is closed	Operator
	Check the setting of the vacuum bar.	Operator
Clean the floater in the dirt water tank.	Operator	
Insufficient cleaning result	Reset fuse of suction turbine.	Operator
	Set/ adjust contact pressure.	Operator
	Check the brushes for wear, replace if required.	Operator
	Check brushes for wear and tear, clean.	Operator
	Check whether the detergent and brushes are suitable for the cleaning task.	Operator
Brushes do not turn	If battery is low, charge the battery.	Operator
	Reset fuse of brush drive.	Operator
No or very little detergent solution gets added	Check the brushes for blockage due to foreign particles, remove them if found.	Operator
	Check level of detergent solution in the fresh water tank; refill, if required.	Operator
	Increase detergent dosing.	Operator
	Ventilation opening in the lid of the fresh water tank is blocked; clean the opening.	Operator
Check fresh water filter; clean if required.	Operator	

Accessories

Description	Part no.:	Description	Piece	Machine requires piece
Disk brush, white	8.600-032.0	For polishing floors.	1	2
Disk brush, red (medium, standard)	8.600-030.0	For cleaning slightly dirtied or sensitive floors.	1	2
Disk brush, black	8.600-034.0	For cleaning heavily dirtied floors.	1	2

Specifications

Power		
Nominal voltage	V	36
Battery capacity (Pack model)	Ah (5h)	200
Average power consumption	W	2160
Drive motor output (rated output)	W	560
Suction engine output	W	560
Brush engine output	W	2x560
Type of protection		IP X4
Vacuuuming		
Cleaning power, air quantity	l/s	31,4
Cleaning power, negative pressure	kPa	15
Cleaning brushes		
Working width	mm	810
Brush diameter	mm	410
Brush speed	1/min	200
Dimensions and weights		
Drive speed (max.)	km/h	5,2
Climbing capability (max.)	%	2
Theoretical surface cleaning performance	m ² /h	3300
Fresh/dirt water reservoir volume	l	120/120
Max. water temperature	°C	60
Permissible overall weight	kg	694
Transport weight	kg	574
Surface load	kPa	441
Length	mm	1800
Width	mm	990
Height	mm	1170
Values determined as per EN 60335-2-72		
Vibration total value on arms	m/s ²	<2,5
Uncertainty K	m/s ²	0,5
Sound pressure level L _{pA}	dB(A)	75
Uncertainty K _{pA}	dB(A)	3
Sound power level L _{WA} + Uncertainty K _{WA}	dB(A)	93

Spare parts

- Only use accessories and spare parts which have been approved by the manufacturer. The exclusive use of original accessories and original spare parts ensures that the appliance can be operated safely and troublefree.
- At the end of the operating instructions you will find a selected list of spare parts that are often required.
- For additional information about spare parts, please go to the Service section at www.kaercher.com.

Warranty

The warranty terms published by the relevant sales company are applicable in each country. We will repair potential failures of your appliance within the warranty period free of charge, provided that such failure is caused by faulty material or defects in manufacturing. In the event of a warranty claim please contact your dealer or the nearest authorized Customer Service centre. Please submit the proof of purchase.

CE declaration

We hereby declare that the machine described below complies with the relevant basic safety and health requirements of the EU Directives, both in its basic design and construction as well as in the version put into circulation by us. This declaration shall cease to be valid if the machine is modified without our prior approval.

Product: Floor cleaner
Type: 1.005-xxx

Relevant EU Directives

2006/42/EC (+2009/127/EC)
2004/108/EC

Applied harmonized standards

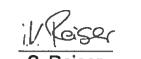
EN 55014-1: 2006
EN 55014-2: 1997 + A1: 2001
EN 60335-1
EN 60335-2-29
EN 60335-2-72
EN 61000-3-2: 2006 + A2: 2009
EN 61000-3-3: 2008
EN 62233: 2008

Applied national standards

-

The undersigned act on behalf and under the power of attorney of the company management.


H. Jenner
CEO


S. Reiser
Head of Approbation

Authorised Documentation Representative
S. Reiser

Alfred Kärcher GmbH Co. KG
Alfred-Kärcher-Str. 28 - 40
71364 Winnenden (Germany)
Phone: +49 7195 14-0
Fax: +49 7195 14-2212

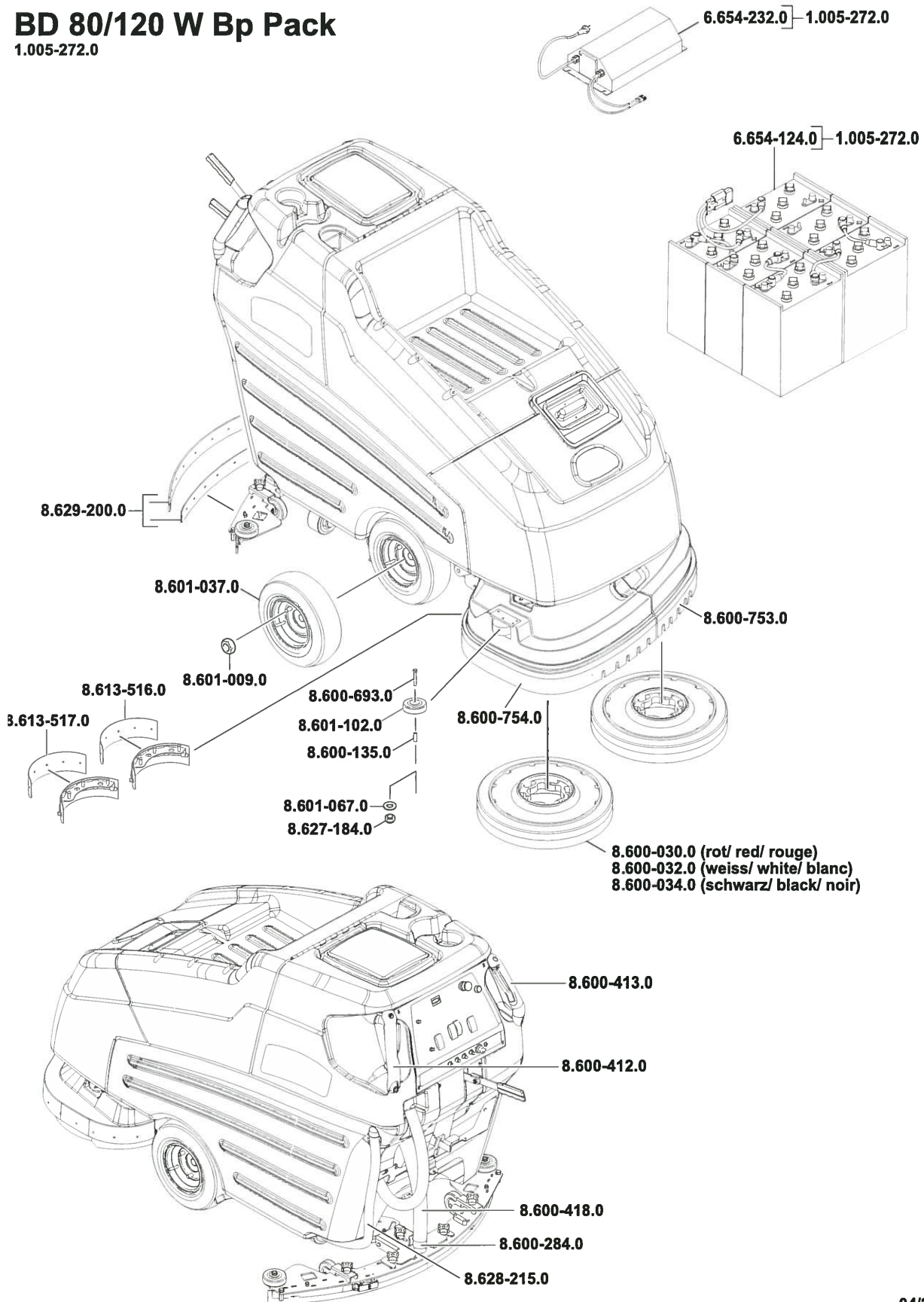
Winnenden, 2010/07/14

BD 80/120 W Bp

1.005-271.0

BD 80/120 W Bp Pack

1.005-272.0



04/2007
5.962-208.0
253434