

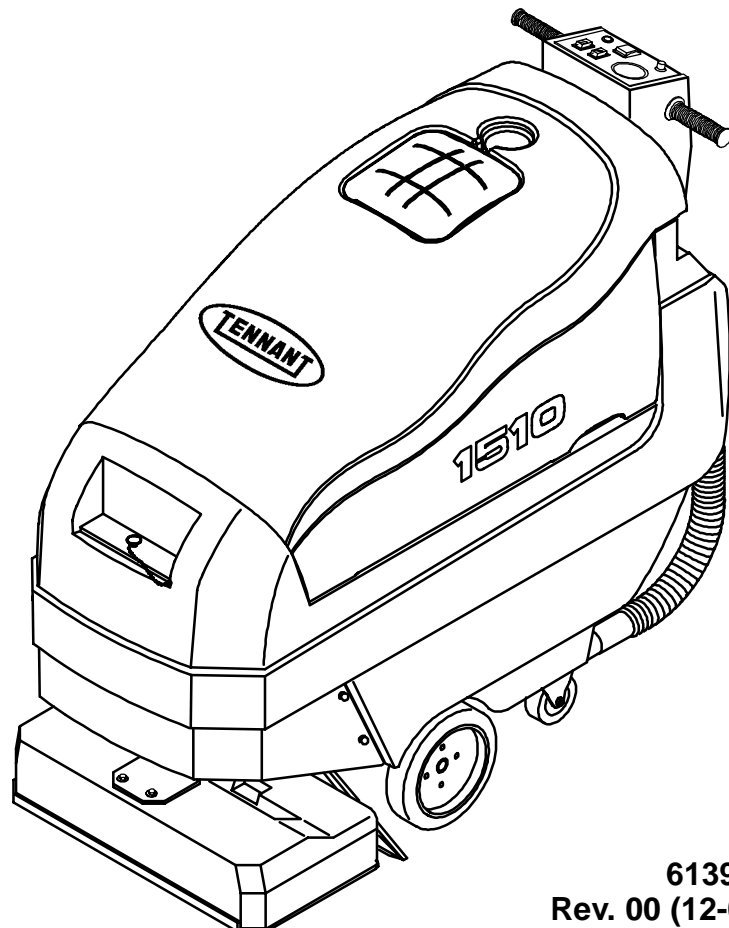


# 1510

## Carpet Extractor

**Model No.:**  
**614001**

**Operator and Parts Manual**



**TENNANT COMPANY**  
12875 RANSOM STREET  
HOLLAND MI 49424 U.S.A.

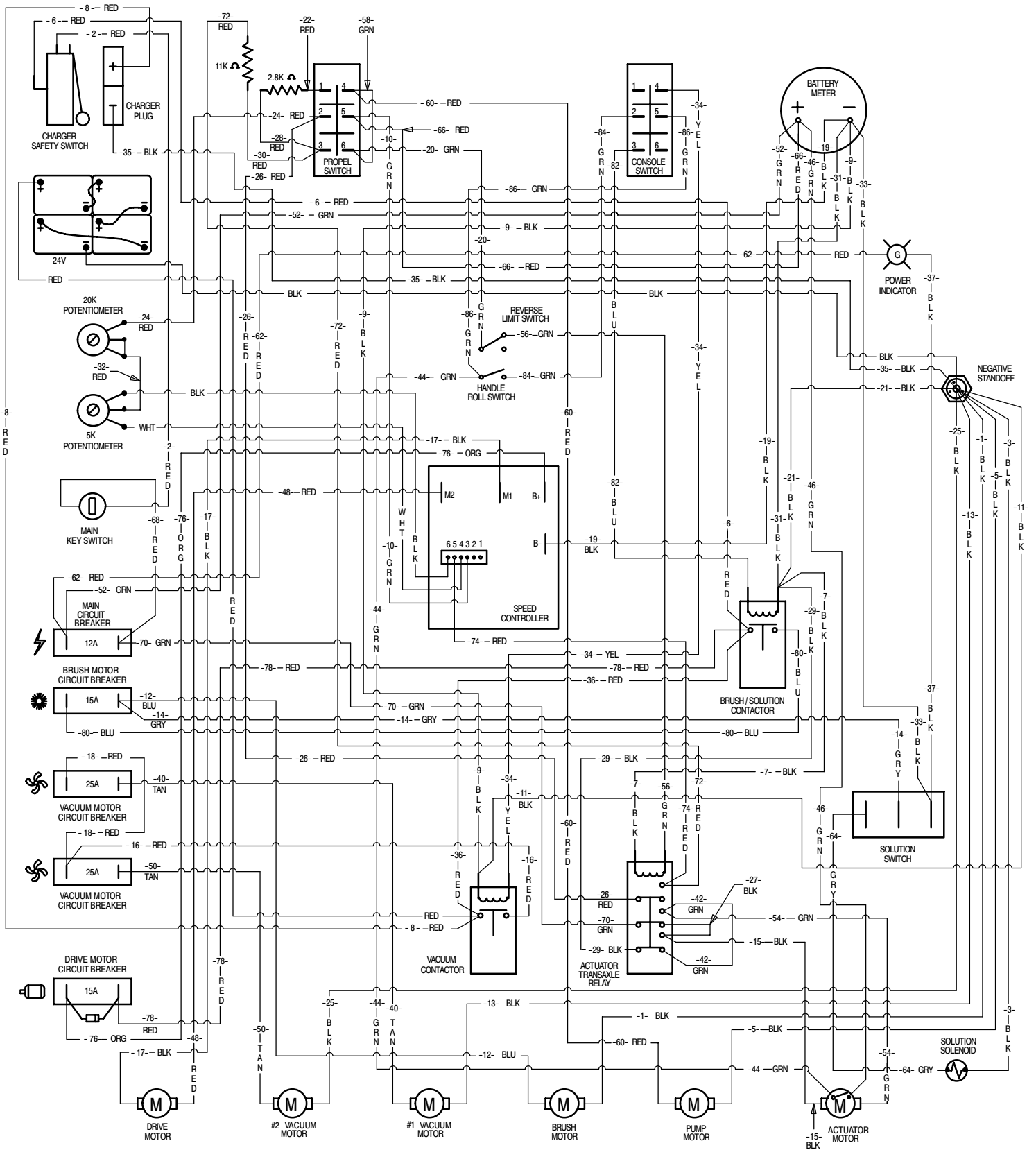
**CUSTOMER SERVICE:**  
1-800-982-7658  
1-616-786-2330

**FAX:** 1-800-678-4240  
1-616-786-2345

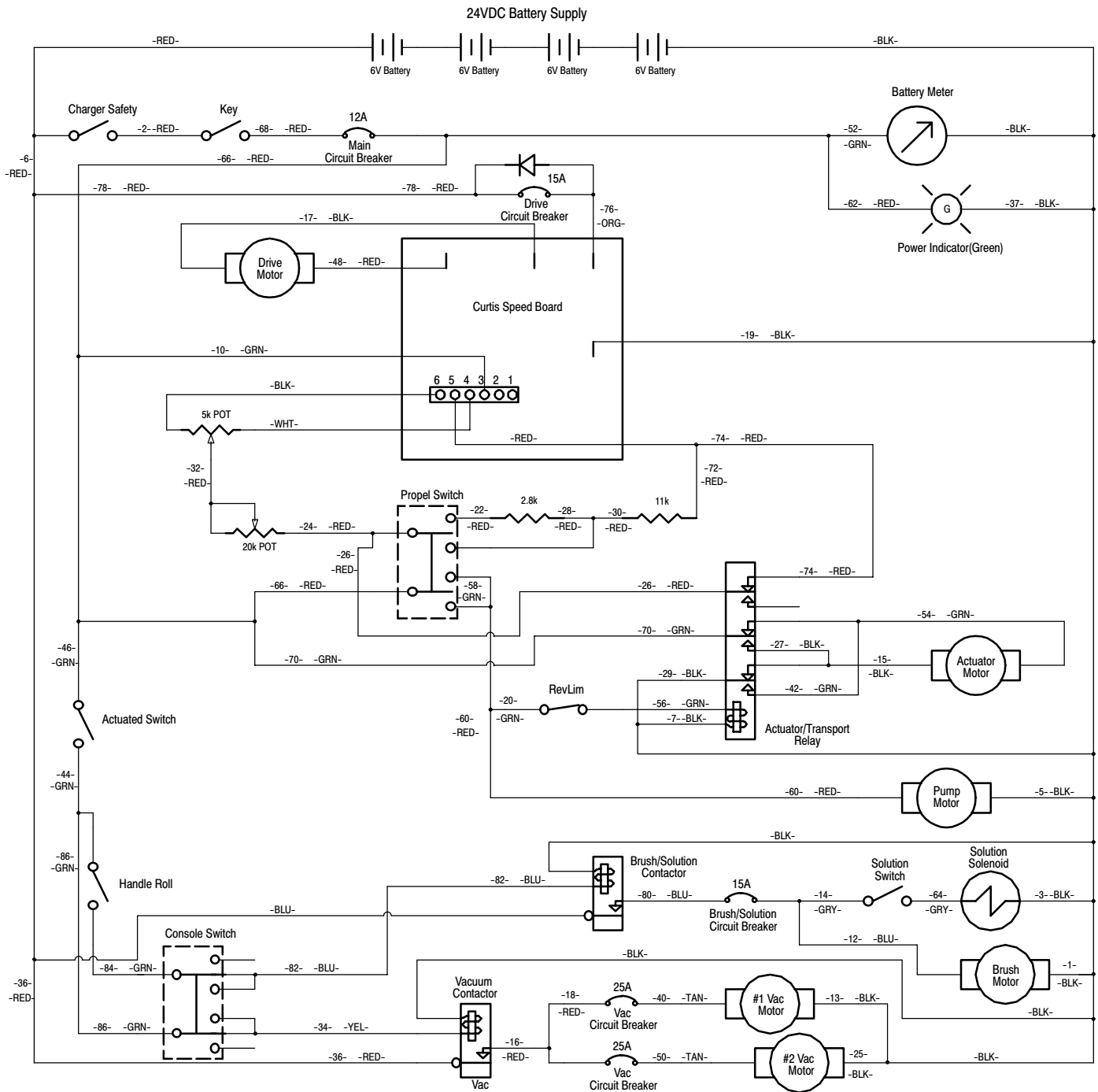
**613907**  
**Rev. 00 (12-02)**

# ELECTRICAL DIAGRAMS

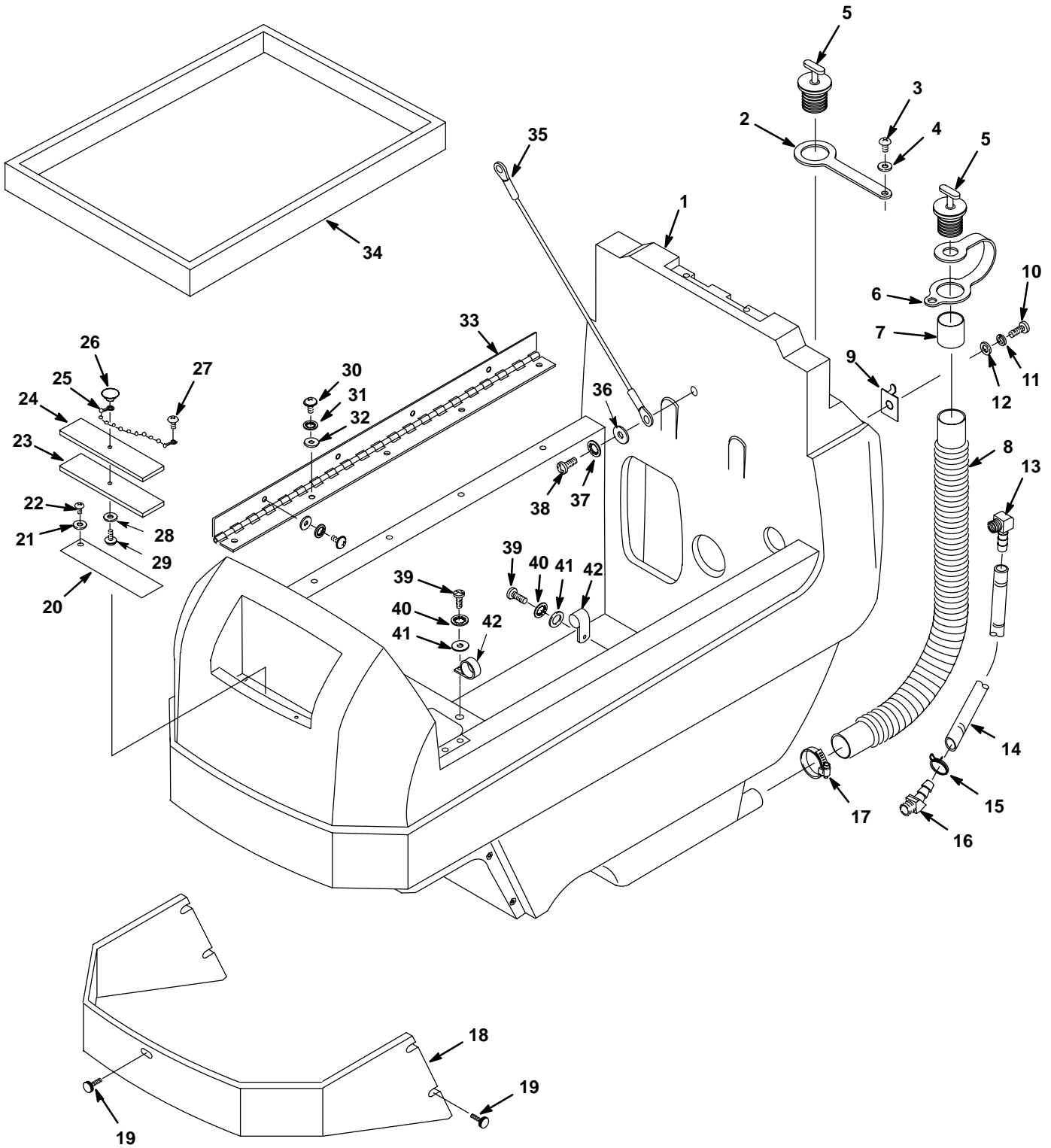
## 24V WIRING DIAGRAM



24V LADDER DIAGRAM



SOLUTION TANK GROUP



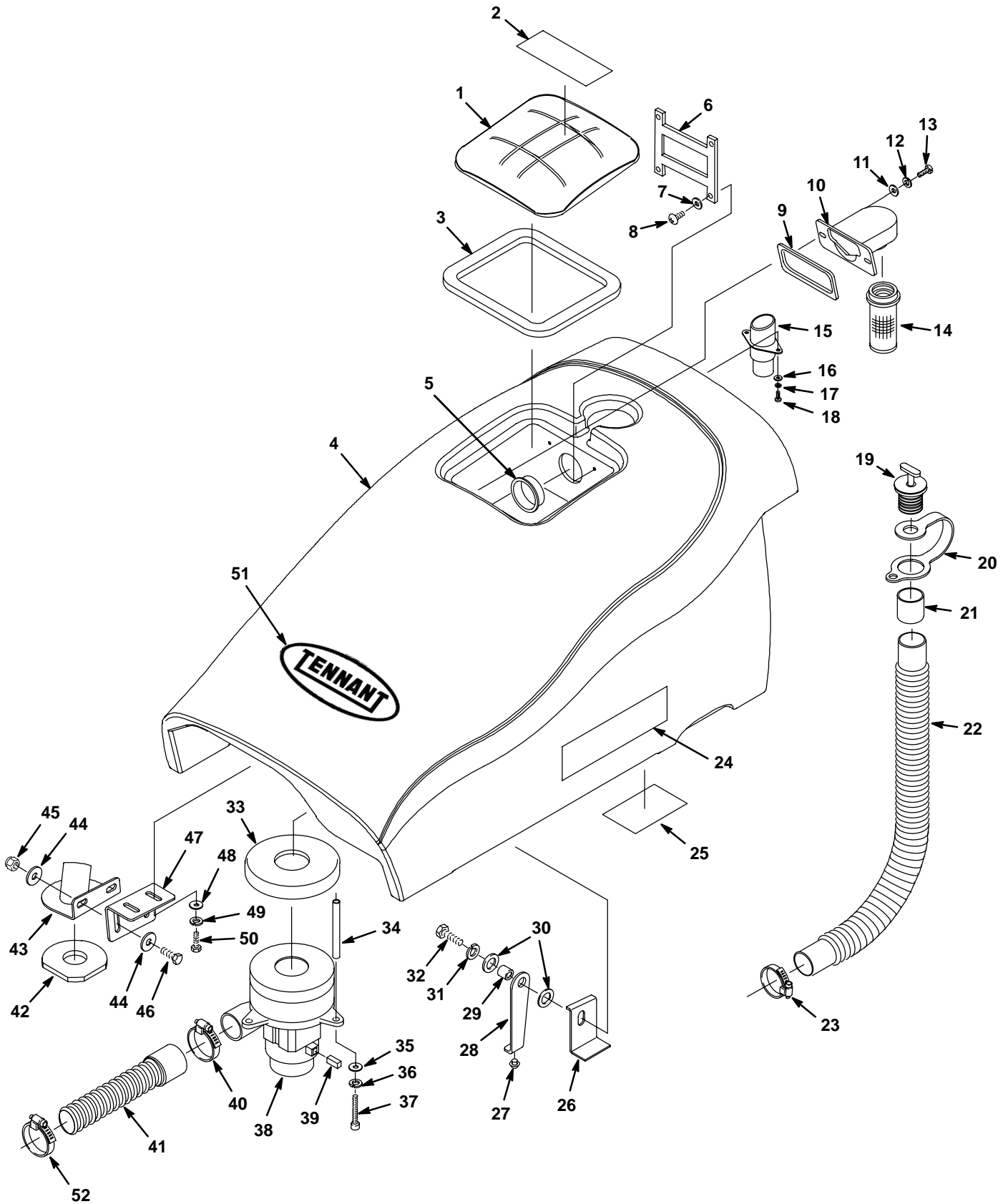
## SOLUTION TANK GROUP

REF	PART #	DESCRIPTION	QTY.
1	611344	TANK, SOLUTION TEAL	1
2	600476	STRAP, PLUG REAR FILL	1
3	140350	SCREW, #10X1/2 PANPHL	1
4	140011	WASHER, FLAT .18	1
5	621324	●PLUG, EXPANSION 1-1/2"DIA	2
6	578441	●STRAP, DRAIN HOSE	1
7	630394	●SLEEVE, DRAIN HOSE 1.5"	1
8	605042	●HOSE DRAIN, 1.50 DIA X 27	1
9	601460	CLIP, DRAIN HOSE	2
10	608322	SCREW, M6X1.0X16 TRSPHL	2
11	578244000	WASHER, M6.4 LOCK	2
12	140000	WASHER, 1/4 FLAT	2
13	150419	FITTING, 1/4MX3/8H ELBOW	1
14	606879	HOSE, SIGHT GAGE	1
15	607775	CLAMP, HOSE .63-.66 2 WIRE BLK	1
16	605394	FITTING, BRS, E45, BM06/PM04 T	1
17	140307	CLAMP, HOSE 3/4 TO 1-3/4	1
18	606147	SHROUD, SCRUB HEAD	1
19	603012	●KNOB, FRONT SHROUD	5
20	606146	●FILTER, SCREEN SOL. FILL	1
21	140032	WASHER, #6 FLAT	2

REF	PART #	DESCRIPTION	QTY.
22	140826	SCREW, #6X3/4 PANPHL	2
23	605062	●GASKET, SOLUTION FILL COVER	1
24	605061	●COVER, SOLUTON FILL	1
25	621443	●CHAIN, DRAIN PLUG	1
26	578301	●KNOB, FILL COVER	1
27	140826	●SCREW, #6X3/4 PANPHL	1
28	140018	WASHER, #10 LOCK	1
29	578201000	SCREW, #10-32X.5 PANPHL	1
30	608322	SCREW, M6X1.0X16 TRSPHL	9
31	578244000	WASHER, M6.4 LOCK	9
32	140000	WASHER, 1/4 FLAT	9
33	605244	HINGE, RECOVERY TANK	1
34	605059	TRAY, BATTERY	1
35	140960	●CABLE, REC TANK SUPPORT	1
36	140000	WASHER, 1/4 FLAT	2
37	578244000	WASHER, M6.4 LOCK	2
38	608322	SCREW, M6X1.0X16 TRSPHL	2
39	608322	SCREW, M6X1.0X16 TRSPHL	3
40	578244000	WASHER, M6.4 LOCK	3
41	140000	WASHER, 1/4 FLAT	3
42	606697	CLAMP 1.125 DIA	3

## ● RECOMMENDED STOCK ITEMS

RECOVERY TANK GROUP



## RECOVERY TANK GROUP

REF	PART #	DESCRIPTION	QTY.
▽ 1	1008263	ASM., LID & LABEL	1
▲ 2	613287	LABEL, WARNING	1
▲ 3	1001608	●GASKET, REC. TANK COVER	1
4	1001933	TANK, RECOVERY, TEAL	1
5	610979	PLUG, CAP 2"	1
6	630056	STRAP, TANK COVER RETAINING	1
7	630390	WASHER, .15 FLAT	4
8	140872	SCREW, #6X3/8 PANPHL	4
9	630255	GASKET, FLOAT MOUNT	1
10	630053	MOUNT, FLOAT CAGE	1
11	140000	WASHER, 1/4 FLAT	2
12	578244000	WASHER, M6.4X10 LOCK	2
13	600385	SCREW, M6X1.0X20 PANPHL	2
14	630052	●FLOAT, SHUT-OFF (2) BALL	1
15	607372	ADAPTER, HOSE	1
16	200301016	WASHER, M5.3 FLAT	2
17	200655016	WASHER, M5 LOCK	2
18	200070382	SCREW, M5X.8X10	2
19	621324	●PLUG, EXPANSION 1-1/2"DI	1
20	578441	●STRAP, DRAIN HOSE	1
21	630394	●SLEEVE, DRAIN HOSE 1.5"ID	1
22	605042	●HOSE, DRAIN 1.50 DIA X 27	1
23	140307	CLAMP, HOSE	1
24	613755	LABEL, SIDE RH/LH	2
25	606520	DECAL, BATTERY PLACEMENT	1
26	1008074	BRACKET, STOP KICKSTAND	1

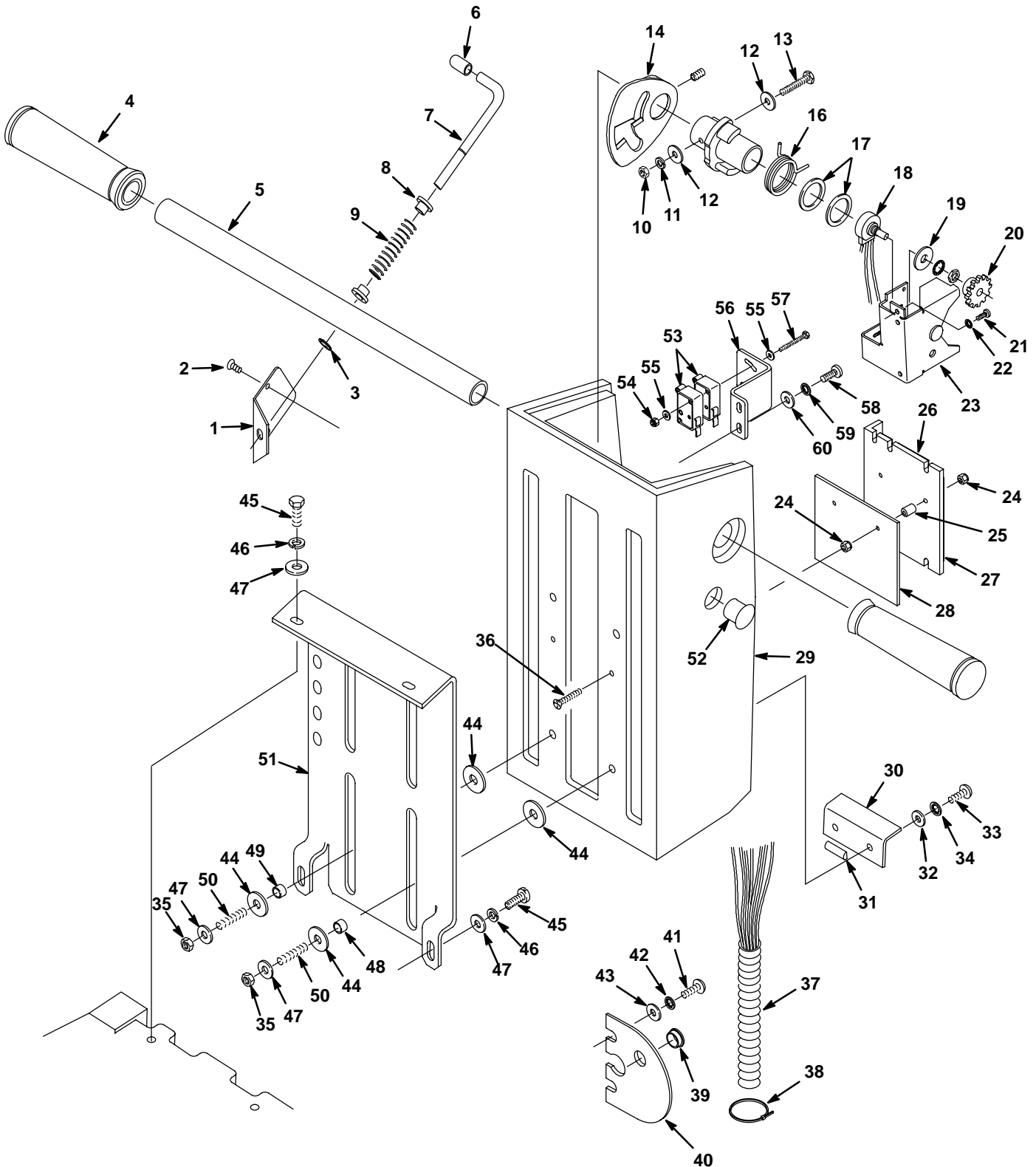
REF	PART #	DESCRIPTION	QTY.
27	069760189	●BUMPER, RUBBER	1
28	606527	●SUPPORT, RECOVERY TANK	1
29	611418	SLEEVE, P/M, .437D .315B .14L	1
30	140027	WASHER, 5/16 FLAT	2
31	140015	WASHER, 5/16 LOCK	1
32	200031486	SCREW, M8X1.25X16 HXHDCP	1
33	626092	●GASKET, VACUUM FAN	1
34	626041	SPACER	3
35	140000	WASHER, 1/4 FLAT	3
36	140016	WASHER, 1/4 LOCK	3
37	626123	SCREW, M6X100 HXHDCP	3
▽ 38	605057	●MOTOR, VACUUM 5.7 3STG 24V	1
▲ 39	190163	●BRUSH, CARBON, 2/PK	1
40	140308	CLAMP, HOSE 1-5/16 TO 2-1/4	1
41	613761	HOSE, VAC 1.5X9" W/ ONE CUFF	1
42	100151	GASKET, TUBE ADAPTER	1
43	1001629	BRACKET, VAC HOSE, REC TANK	1
44	630303	WASHER, FLAT M8.4X25.4X2.0	4
45	08709	NUT, HEX LOCK M8X1.25 NL	2
46	200031488	SCREW, M8X1.25X20 HXHDCP	2
47	1006281	BRACKET, MTG VACUUM BRKT	1
48	140000	WASHER, 1/4 FLAT	2
49	140016	WASHER, 1/4 LOCK	2
50	200031436	SCREW, M6X1.0X16 HXHDCP	2
51	630229	DECAL, TENNANT	1
52	140307	CLAMP, HOSE 3/4 TO 1-3/4	1

▽ ASSEMBLY

▲ INCLUDED IN ASSEMBLY

● RECOMMENDED STOCK ITEMS

CONSOLE GROUP





## CONSOLE GROUP

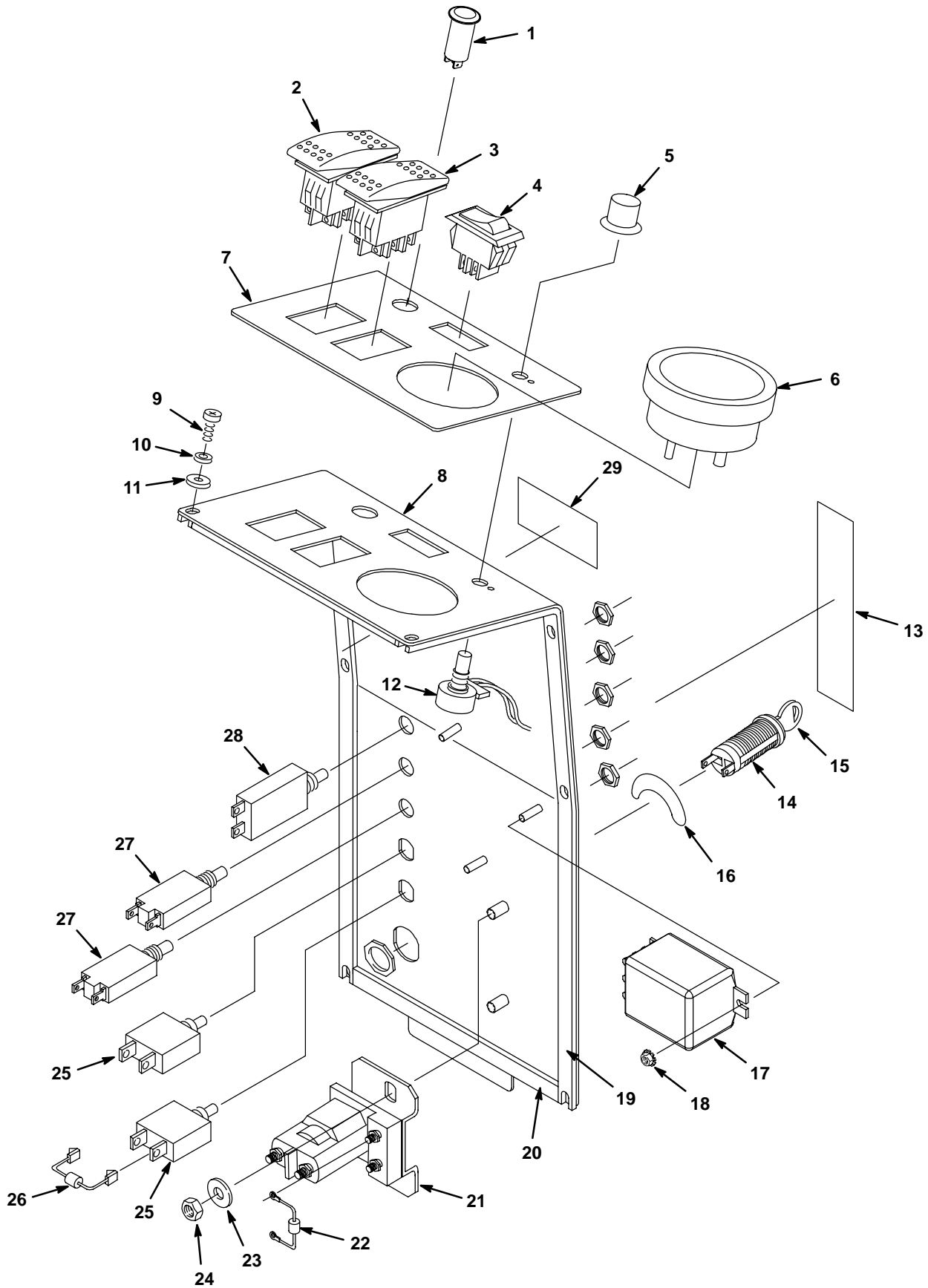
REF	PART #	DESCRIPTION	QTY.
1	630087	PLATE, LATCH RETAINER	1
2	630114	SCREW, M4X.7X8 FLTPHL	2
3	630084	RING, RETAINING EXT.	1
4	222648	●GRIP, HANDLE TUBE	2
5	630093	HANDLEBAR	1
6	630094	GRIP, CONSOLE ADJUST LEVER	1
7	630081	LEVER, CONSOLE ADJUST.	1
8	630083	BUSHING, LATCH	2
9	630082	SPRING, CMPR	1
10	579029	NUT, M6X1.0	1
11	578244000	WASHER, M6.4 LOCK	1
12	579210	WASHER, 6.4X18.0X1.5 FLAT	2
13	630431	SCREW, M6X1.0X40 HXHDCP	1
14	1005937	CAM, SWITCH PLATE	1
15	630109	●ASSEMBLY, HUB/GEAR	1
16	630088	●SPRING, TORS	1
17	069760582	WASHER, NYLON	2
18	613398	●POTENTIOMETER & WIRING ASM	1
19	32485	WASHER, .38 FLAT	1
20	630099	●GEAR	1
21	200070340	SCREW, M4X.7X8 PANPHL	4
22	140023	WASHER, #8 LOCK	4
23	1007396	BRACKET, LIMIT SWITCH MOUNT	1
24	02850	NUT, M4 HXLCK	2
25	610943	SLEEVE, .217ID, .315OD, .375L	2
26	630104	BOARD, SPEED CONTROL	1
27	02850	NUT, M4 HXLCK	4
28	630128	HEATSINK, 11GA. ALUM.	1
29	610924	CONSOLE - TEAL	1
30	630086	PLATE, STRAIN RELIEF	1

1026373

REF	PART #	DESCRIPTION	QTY.
31	606888	SKID STRIP, .75" LONG	1
32	140000	WASHER, 1/4 FLAT	2
33	608322	SCREW, M6X1.0X16 TRSPHL	2
34	578244000	WASHER, M6.4 LOCK	2
35	08709	NUT, M8 HXLCK	4
36	630304	SCREW, M4X.7X35 FLTPHL	2
37	613392	HARNESS, WIRE MAIN	1
38	130042	WIRE TIE, NYLON	2
39	130104	BUSHING, SNAP .875 ID	1
40	605067	RETAINER, WIRE HARNESS	1
41	608322	SCREW, M6X1.0X16 TRSPHL	2
42	578244000	WASHER, M6.4 LOCK	2
43	140000	WASHER, 1/4 FLAT	2
44	608562	WASHER, .506 FLAT, NYLON	8
45	578237000	SCREW, M8X1.25X18 HXHDCP	4
46	200370019	WASHER, M8.4 LOCK	4
47	32491	WASHER, 5/16 FLAT	8
48	607783	BEARING, .314ID, .503OD	2
49	630259	BEARING, 9.5ID, 12.7OD	2
50	607461	SCREW, SET, M8X1.25X35	4
51	608563	PLATE, CONSOLE SLIDE	1
52	130280	PLUG, DOME	1
53	611005	SWITCH, ROLLER 16A MICRO	2
54	579211	NUT, HEX M3 HEXLCK	2
55	601127000	WASHER, M3.7X8X.5 FLAT	4
56	1005941	BRACKET, SWITCH MOUNT	1
57	200051274	SCREW, M3X.5X30 FILSLT	2
58	200070340	SCREW, M4X.7X8 PANPHL	2
59	140023	WASHER, LOCK INT #8	2
60	200301014	WASHER, M4.3X10.1X1 FLAT	2

● RECOMMENDED STOCK ITEMS

CONSOLE PANEL GROUP



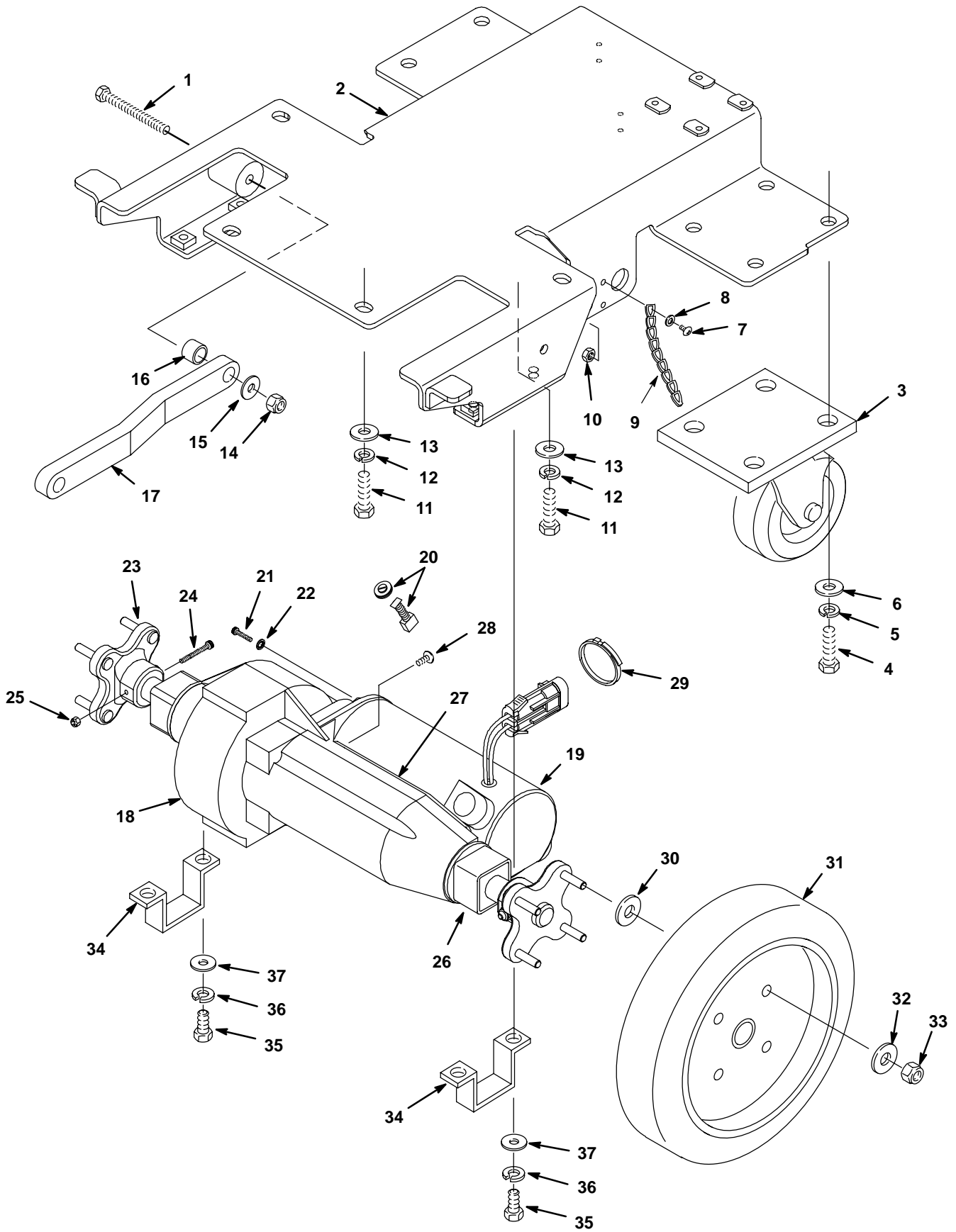
## CONSOLE PANEL GROUP

REF	PART #	DESCRIPTION	QTY.
1	130738	●LIGHT, INDICATOR GREEN	1
2	609657	●SWITCH, ROCKER ON/OFF/ON	1
3	1006919	●SWITCH, CONSOLE DPDT	1
4	630419	●SWITCH, ROCKER 28VDC	1
5	630265	●KNOB, SPEED LIMIT	1
6	630091	●METER, BATTERY	1
7	613757	LABEL, DASH	1
8	1002831	PANEL, SWITCH	1
9	200070340	SCREW, M4X.7X8 PANPHL	8
10	140023	WASHER, LOCK INT #8	8
11	200301014	WASHER, M4.3 FLAT	8
12	613682	●POTENTIOMETER, 0-20K SPD C	1
13	613902	LABEL, CIRCUIT BREAKERS	1
14	130785	●SWITCH, KEY	1
15	607821	●KEY, REPLACEMENT	1

● RECOMMENDED STOCK ITEMS

REF	PART #	DESCRIPTION	QTY.
16	604793	DECAL, KEYSWITCH ON(1)/OFF(0)	1
17	1006917	●RELAY, 24V	1
18	1007109	NUT, M4X.70 KEP EXT LOCK	2
19	630119	GASKET, CONSOLE 3.1X8.0X420	2
20	630453	GASKET, CONSOLE 143MM	2
21	603008	●RELAY, 24VDC	1
22	606404	●ASM, DIODE W/RING TERMINALS	1
23	6306.4	WASHER, 1/4 FLAT	2
24	1007108	NUT, M6X1 KEP EXT	2
25	603487	●BREAKER, CIRCUIT 15 AMP	2
26	607394	DIODE, .25 PIGGYBACK TERM	1
27	612485	●BREAKER, CIRCUIT 25 AMP RESETABLE	2
28	130670	●BREAKER, CIRCUIT 12AMP	1
29	613906	LABEL, ACCESSORY TOOL	1

DRIVE GROUP



## DRIVE GROUP

630002

REF	PART #	DESCRIPTION	QTY.
1	575544000	SCREW, M8X1.25X80 HXHDCP	2
2	1002360	FRAME, TRANSAXLE	1
3	612056	●CASTER, 4"DIA	2
4	09010	SCREW, M8X1.25X25 HXHDCP	8
5	200370019	WASHER, M8.4 LOCK	8
6	32491	WASHER, 5/16 FLAT	8
7	140287	SCREW, 10-24X3/8	1
8	200301014	WASHER, M4.3 FLAT	1
9	605950	●CHAIN, LINK 8"	1
10	02850	NUT, M4 HXLCK	2
11	200031488	SCREW M8X1.25X20 HXHDCP	4
12	200370019	WASHER, M8.4 LOCK	4
13	32491	WASHER, 5/16 FLAT	4
14	08709	NUT, M8 HXLCK	2
15	32491	WASHER, 5/16 FLAT	2
16	222027	ARM, HEAD LIFT	2
17	606056	SLEEVE, HEAD ARM	2
▽ 18	1007083	TRANSAXLE, 120V MOTOR 72RPM	1
▲	612873	TRANSAXLE, REPL. BODY ONLY	1
▲	612874	COUPLING, TRANSAXLE	1

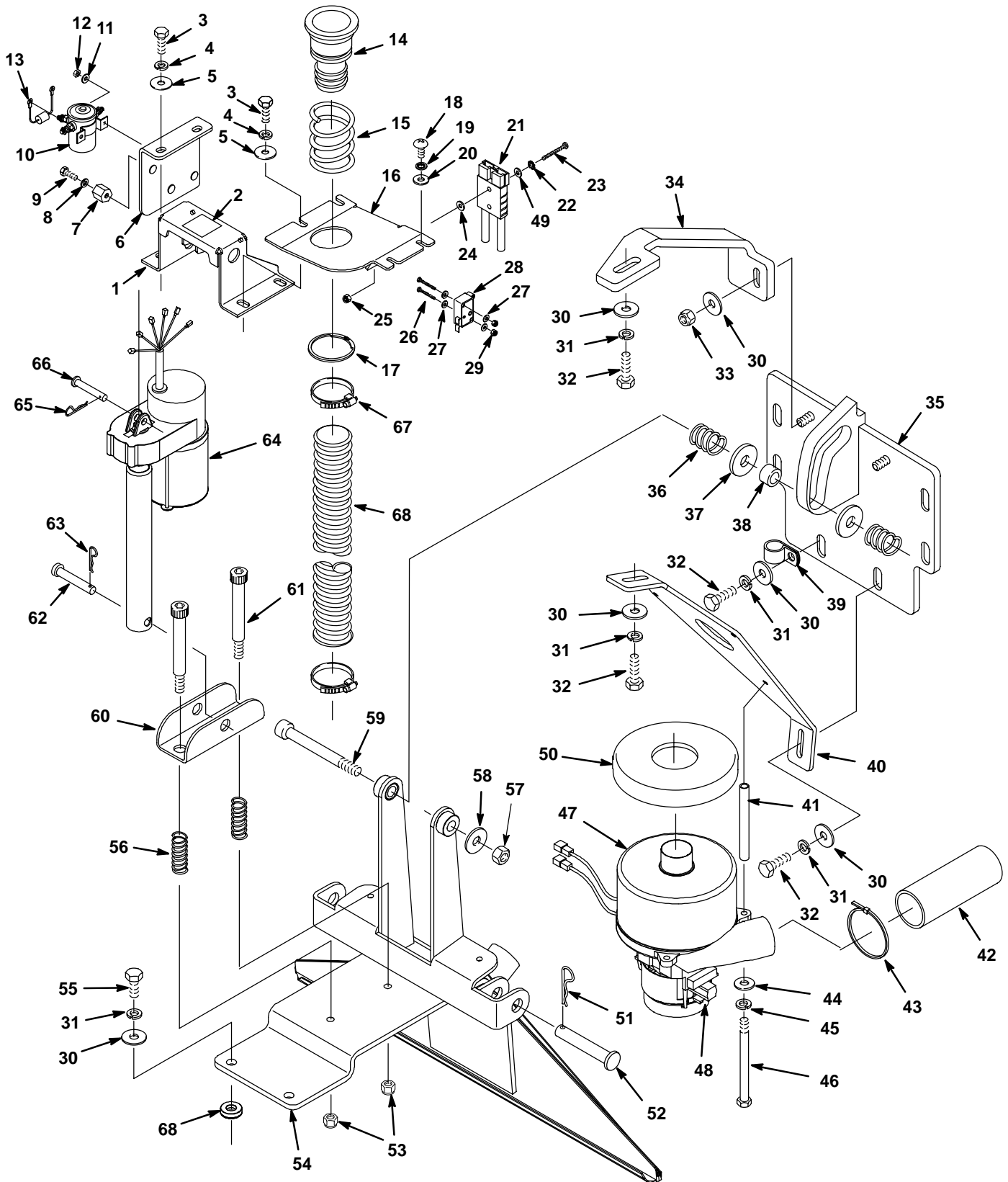
REF	PART #	DESCRIPTION	QTY.
▲	612875	KEY, TRANSAXLE	1
▲▽ 19	613917	●MOTOR, TRANSAXLE	1
▲▲ 20	612883	●KIT, CARBON BRUSH (2/PK)	1
▲ 21	140868	SCREW, 1/4-20X5/8 SHCS	2
▲ 22	32982	WASHER, 1/4 INT. LOCK	2
▲ 23	612879	HUB, WHEEL, TRANSAXLE	2
▲ 24	31249	BOLT, #10-24 SHOULDER	2
▲ 25	140552	NUT, #10-24 NYLOCK	2
▲ 26	612880	SLEEVE, TRANSAXLE REPL.	2
▲ 27	613082	COVER, TRANSAXLE	1
▲ 28	577031000	SCREW, #8X1/2 PANPHL	2
29	130041	WIRE TIE, NYLON	2
30	140053	WASHER, 9/32X7/8X1/8	8
31	607452	●WHEEL, 8.0DX2.0W TPR	2
32	140000	WASHER, 1/4 FLAT	8
33	41169	NUT, HEX LOCK .25-20 NL	8
34	606001	BRACKET, TRANSAXLE	2
35	200031494	SCREW, M8X1.25X30 HXHD	4
36	200370019	WASHER, M8.4 LOCK	4
37	32491	WASHER, 5/16 FLAT	4

▽ ASSEMBLY

▲ INCLUDED IN ASSEMBLY

● RECOMMENDED STOCK ITEMS

ACTUATOR AND PICK-UP VACUUM SHOE GROUP



## ACTUATOR AND PICK-UP VACUUM SHOE GROUP

REF	PART #	DESCRIPTION	QTY.
1	605025	BRACKET, ACTUATOR MOUNT	1
2	606521	DECAL, GENERAL HAZARD	1
3	200031488	SCREW M8X1.25X20 HXHDCP	4
4	200370019	WASHER, M8.4 LOCK	4
5	32491	WASHER, 5/16 FLAT	4
6	606523	BRACKET, CONTACTOR	1
7	578427	●STANDOFF, TERMINAL	1
8	140016	WASHER, 1/4 LOCK	1
9	069762126	SCREW, 1/4-20X5/8 HEX	1
10	605905	●SOLENOID, 24 VDC	1
11	32490	WASHER, FLAT .25	2
12	08708	NUT, M6 HXLCK	2
13	606404	●ASM, DIODE W/RING TERMINALS	1
14	630011	TUBE, VAC TRANS FLNGE & BARB	1
15	630267	SPRING, CMPR	1
16	1001630	BRACKET, VAC HOSE SOL. TANK	1
17	630016	RING, RETAINING, EXT	1
18	608322	SCREW, M6X1.0X16 TRSPHL	2
19	140016	WASHER, LOCK .25	2
20	140000	WASHER, FLAT 1/4	2
21	605387	CONNECTOR, 50A RED WO/CONT	1
22	140019	WASHER, LOCK ENT #06	2
23	140829	SCREW, 6-32X1 PANPHL	2
24	140011	WASHER, FLAT 0.18	2
25	140539	NUT, 6-32 KEP	2
26	579213	SCREW, M3X.5X20 HXHDCP	2
27	601127000	WASHER, M3.7X.8X.5 FLAT	4
28	611005	SWITCH, ROLLER 16A MICRO	1
29	579211	NUT, HEX M3 HEXLCK	2
30	32491	WASHER, 5/16 FLAT	11
31	200370019	WASHER, M8.4 LOCK	10
32	200031488	SCREW M8X1.25X20 HXHDCP	8
33	08709	NUT, M8 HXLCK	1
34	611049	BRACKET, SUPPORT, RIGHT	1

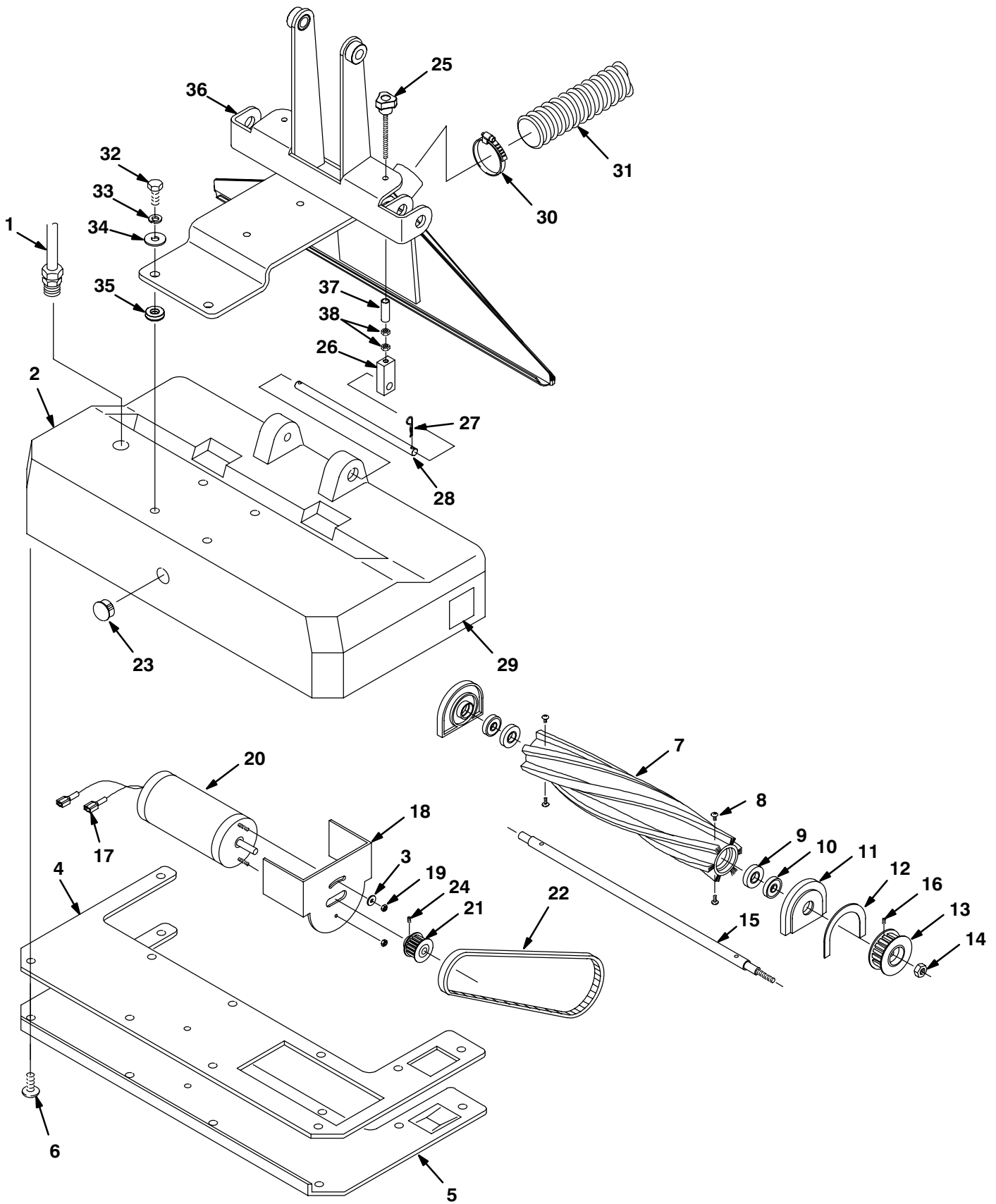
REF	PART #	DESCRIPTION	QTY.
35	608199	BRACKET, LIFT TRACK RLR HEAD	1
36	607920	●SPRING, .72OD X1.00 LG	2
37	607568	●WASHER, THRUST, 1-1/2 OD	2
38	608198	●ROLLER, LINKAGE	1
39	140314	CLAMP, CABLE INSULATED 3/4	1
40	1001631	BRACKET, 2ND VAC MOTOR	1
41	626041	SPACER, STL ZINC	3
42	600009	●MUFFLER, VAC EXHAUST	1
43	130041	WIRE TIE, NYLON	1
44	140000	WASHER, FLAT 1/4	3
45	140016	WASHER, LCOK .25	3
46	626123	SCREW, 6X1.00 HXHDCP	3
▽ 47	1007468	●MOTOR, VACUUM 5.7 3STG 24V	1
▲ 48	190163	●BRUSH, CARBON, 2/PK	1
49	140026	WASHER, #6 FLAT	1
50	626092	●GASKET, VACUUM FAN	1
51	02942	PIN, HAIR COTTER	2
52	222210	PIN, CLEVIS 2.12L	2
53	59156	NUT, 3/8-16 NYLCK	2
54	1002197	VACUUM, SHOE 22"	1
55	140221	SCREW, HEX .31-18X1.25	2
56	32553	●SPRING, CMPR	2
57	59156	NUT, 3/8-16 NYLCK	1
58	140046	WASHER, 1.00 X .392	1
59	45960	●SCREW, SHLDR 3/8-16X4.25	1
60	1002728	●BOLT, SHLDR .50DX3.00 .38-16	2
61	1001612	BRACKET, ACTUATOR SPRING	1
62	630448	PIN, CLEVIS, .50DIA X 2.25	1
63	578421	PIN, COTTER, .12" X 1.00"	1
64	1006911	●ACTUATOR, 24VDC	1
65	140626	●PIN, HITCH	1
66	578202000	●PIN, CLEVIS .38DIA X 1.50	1
67	1006925	WASHER, SPERICAL	2

▽ ASSEMBLY

▲ INCLUDED IN ASSEMBLY

● RECOMMENDED STOCK ITEMS

BRUSH BASE GROUP





## BRUSH BASE GROUP

REF	PART #	DESCRIPTION	QTY.	
1	130290	CORD, 18/3X36" SJT	1	
2	101106	BASE, 22"	1	
3	200315016	WASHER, FLAT	1	
4	100157	GASKET, BASE PLATE	1	
5	611919	PLATE, BASE	1	
6	140197	SCREW, 10-24X3/8 TRSPHL	11	
▽	700422	●ASM., BRUSH	1	
▲	7	240063	BRUSH, CYLINDRICAL	1
▲	8	24672	SCREW, 1/4-20X3/4	4
▲	9	100049	SEAL, BRUSH BEARING	2
▲	10	140125	BEARING, BRUSH	2
▲	11	230261	BLOCK, BEARING	2
▲	12	100005	GASKET, BEARING BLOCK	1
▲	13	230408	PULLEY, BRUSH	1
▲	14	140548	NUT 5/16	1
▲	15	230406	SHAFT, BRUSH 22"	1
▲	16	140859	SCREW, SET 1/4-20X1/4	1
17	130096	TERMINAL, MALE DSCNT 16-14	2	
18	230411	BRACKET, BRUSH MOTOR	1	
19	140518	NUT, KEP 10-32	2	

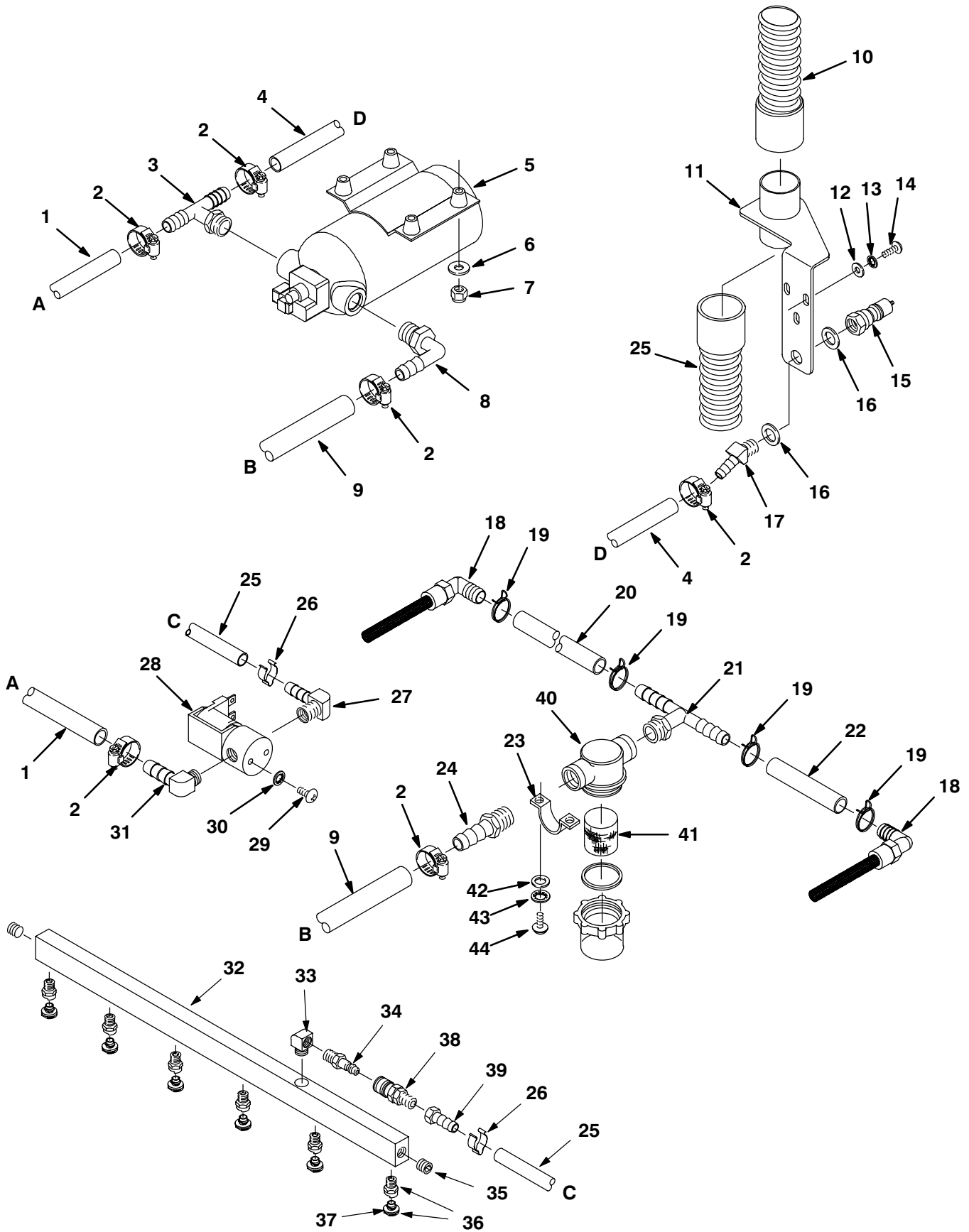
REF	PART #	DESCRIPTION	QTY.
20	575254000	●MOTOR, ELECT. .25HP 120VDC	1
21	230410	●PULLEY, MOTOR	1
22	230409	●BELT, TIMING	1
23	130154	PLUG, DOME	1
24	140859	SCREW, SET 1/4-20X1/4	1
25	1002467	KNOB, W 1/4 -20X3 STUD	2
26	1002476	KNUCKLE, 1/4-20X3/8ID	2
27	140626	PIN, HITCH	2
28	1002472	SHAFT, PIVOT, BRUSH ASM	1
29	578769	DECAL, MOVING PARTS	2
30	140307	CLAMP, HOSE 3/4 TO 1-3/4	1
31	613760	HOSE, VAC 1-1/2X32 ONE CUFF	1
32	140219	SCREW, HEX .31-18X1.00	2
33	200370019	WASHER, M8.4 LOCK	10
34	32491	WASHER, 5/16 FLAT	11
35	1006925	WASHER, SPERICAL	2
36	1002197	SHOE, VACUUM 22"	1
37	1008421	SPACER, 1/2OD X 1.50LG	2
38	32520	NUT, HEX JAM .25-20	4

▽ ASSEMBLY

▲ INCLUDED IN ASSEMBLY

● RECOMMENDED STOCK ITEMS

PLUMBING GROUP



## PLUMBING GROUP

REF	PART #	DESCRIPTION	QTY.
1	613482	HOSE, 3/8IDX5/8ODX.92' GRAY	1
2	54333	CLAMP, HOSE WRMDRIVE .31-.88	6
3	150715	FITTING, 3/8MX3/8HX3/8 TEE	1
4	613482	HOSE, 3/8IDX5/8ODX.92' GRAY	1
5	603031	PUMP, SOL 100PSI 24VDC	1
6	19066	WASHER, FLAT #10	2
7	140552	NUT, HEX 10-24 NYLON	2
8	578039000	FITTING, 3/8MX1/2H ELBOW 90 NL	1
9	613916	HOSE, 1/2IDX3/4ODX12"	1
10	613759	HOSE, VAV 1-1/2X34 W/CUFFS	1
11	1001611	BRACKET, QC WAND HOOKUP	1
12	140000	WASHER, FLAT 1/4	3
13	578244000	WASHER, M6.4X10 LOCK	3
14	608322	SCREW, M6X1X16 TRSPHL	3
15	150933	FITTING, BRS QDC 1/4F SER 60	1
16	140058	WASHER, .543X.875X.062 WAND	2
17	605394	FITTING, BRS E45 BM06/PM04	1
18	1006924	FILTER, SCREEN 3/8MX1/2H ELB	2
19	607776	CLAMP, HOSE .73-.77 WIRE BLK	4
20	613520	TUBING, 1/2IDX3/4ODX.730'	1
21	605046	FITTING, 3/8MX1/2HX1/2H TEE NY	1
22	613513	TUBING, 1/2IDX3/4ODX.270'	1
23	605056	BRACKET, FILTER MOUNT	2

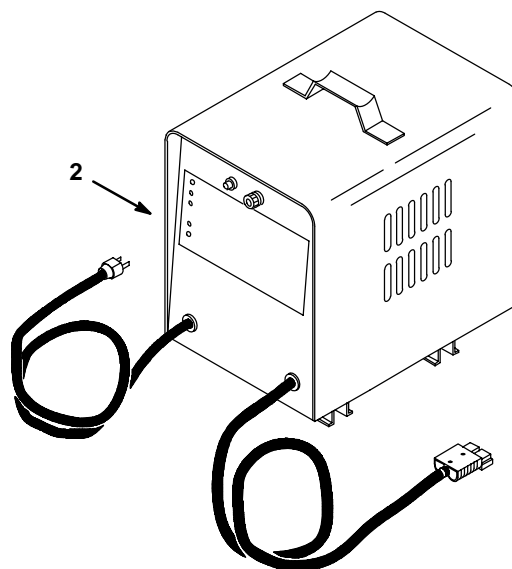
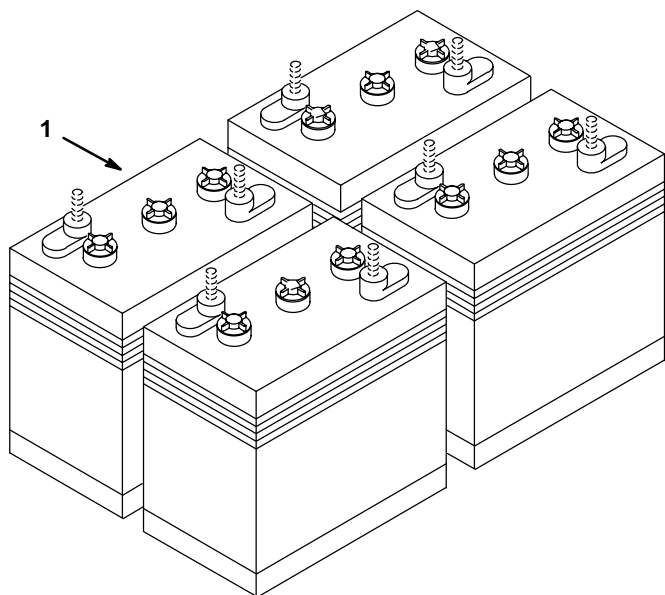
REF	PART #	DESCRIPTION	QTY.
24	14884	FITTING, BRS STR BM08/PM06	1
25	613434	HOSE, BULK 1/4 LP GRAY	1
26	140325	CLAMP, HOSE 1/2" EAR	2
27	150418	FITTING, 1/4MX1/4H BARB 90 BRS	1
28	607473	●SOLENOID, WATER 24 VDC	1
29	140801	SCREW, TRS 8-32X3/8 PHL	2
30	140023	WASHER, LOCK INT #8	2
31	150419	FITTING, 1/4MX3/8H ELB 90 BRS	1
▽	613918	ASM., SPRAY BAR	1
▲ 32	230407	MANIFOLD, SOL SPRAYBAR 22"	1
▲ 33	150407	FITTING, 1/8MX1/8F ELB STRT 90	1
▲ 34	150921	FITTING, BRS QDC 1/8M SER 5	1
▲ 35	150208	FITTING, 1/8M PLUG BRS SKHD	2
▲ 36	201011	●FITTING, JET 80015 1/8Q JET	6
37	201013	●TIP, REPLACEMENT (80015)	6
38	150915	FITTING, BRS QDC 1/8 SER 5	1
39	150520	FITTING, 1/8FX1/4H BARB	1
▽ 40	1007428	●FILTER, BOWL & SCREEN	1
▲ 41	180638	●FILTER, SCREEN 125MESH	1
42	140011	WASHER, 3/16 FLAT	4
43	200655016	WASHER, M5 LOCK	4
44	578141000	SCREW, M5X10 PANPHL	4

▽ ASSEMBLY

▲ INCLUDED IN ASSEMBLY

● RECOMMENDED STOCK ITEMS

## BATTERY AND CHARGER GROUP



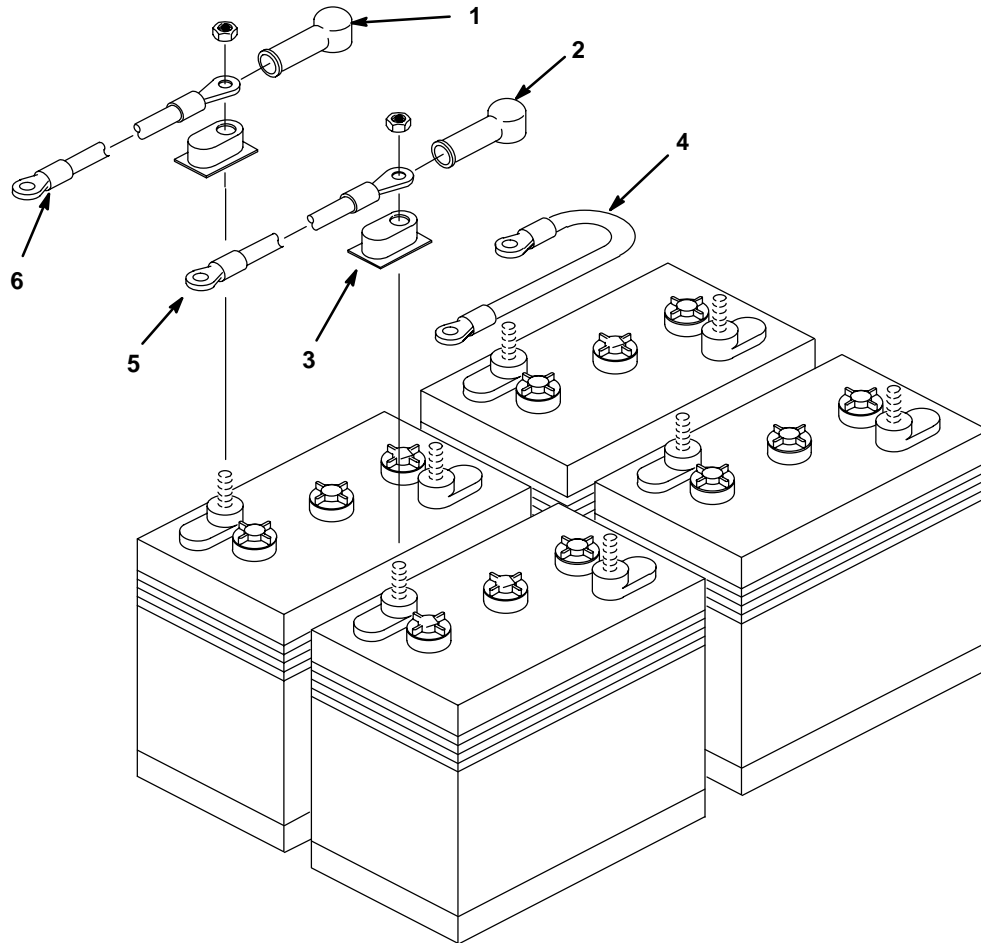
REF	PART #	DESCRIPTION	QTY.
▽ 1	606897	BATTERY KIT (SET OF 4)	1
▲	222280	BATTERY, 6VDC, 235AH	4

REF	PART #	DESCRIPTION	QTY.
2	603235	CHARGER, 24DC, 20A, 120AC	1

▽ ASSEMBLY

▲ INCLUDED IN ASSEMBLY

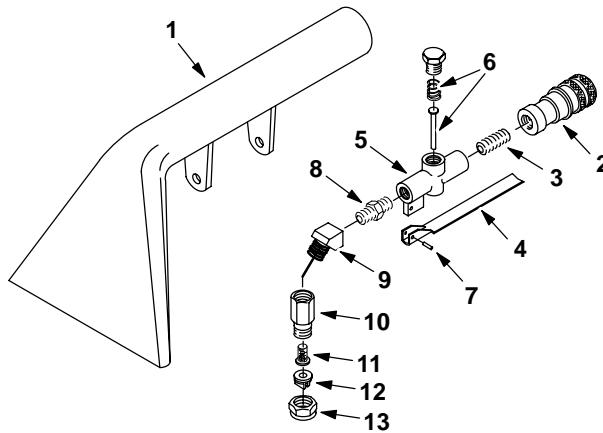
BATTERY CABLE GROUP



REF	PART #	DESCRIPTION	QTY.
1	611221	TERMINAL BOOT, BLACK	4
2	611222	TERMINAL BOOT, RED	4
3	45962	COVER, TERMINAL	8

REF	PART #	DESCRIPTION	QTY.
4	130364	CABLE, BATT. #6 BLKX15" 5/16X3/8	3
5	602872	CABLE, BATT. REDX28"	1
6	602871	CABLE, BATT. BLKX24"	1

## 127 mm (5 in) HAND TOOL



REF	PART #	DESCRIPTION	QTY.
▽	200505	●ASM., HAND TOOL 5"	1
▲ 1	200431.BK	TOOL, HAND	1
▲ 2	150913	FITTING, 1/4F QD FML COUPLER	1
▲ 3	150615	NIPPLE, CLOSE	1
▲ 4	200905	TRIGGER, HAND TOOL	1
▲ 5	210210	●VALVE, FLOW CONTROL	1
▲ 6	190600	VALVE PIN & SPRING	1

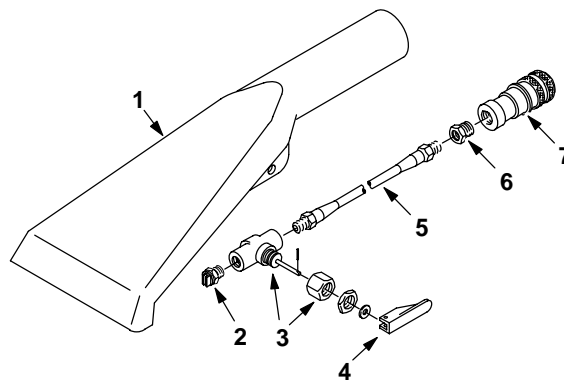
REF	PART #	DESCRIPTION	QTY.
▲ 7	140609	PIN, ROLL 3/16	1
▲ 8	150606	NIPPLE, HEX 1/4	1
▲ 9	150403	ELBOW, ST 1/4 45°	1
▲ 10	200992	BODY, SPRAY 1/4F	1
▲ 11	200996	SCREEN, SPRAY NOZZLE	1
▲ 12	200965	●TIP, SPRAY #8002	1
▲ 13	200994	CAP, SPRAY BODY	1

▽ ASSEMBLY

▲ INCLUDED IN ASSEMBLY

● RECOMMENDED STOCK ITEMS

## 76 mm (3 in) CREVICE TOOL



REF	PART #	DESCRIPTION	QTY.
▽	200517	●ASM., CREVICE TOOL SER.60	1
▲ 1	200436.BK	TOOL, CREVICE BLACK	1
▲ 2	200975	●FITTING, TIP #5002 V-JET	1
▲ 3	210014	●VALVE, TOGGLE W/NUT	1

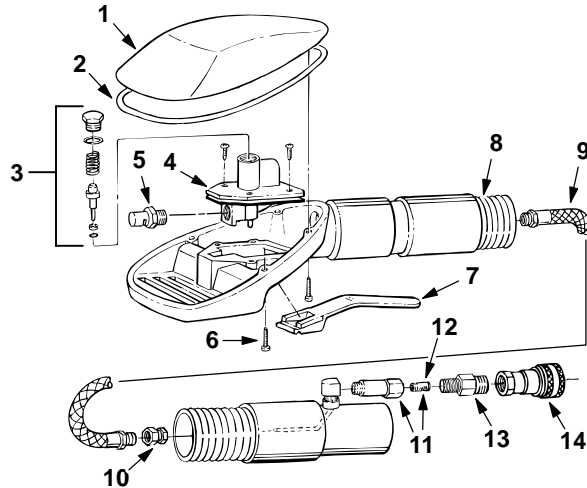
REF	PART #	DESCRIPTION	QTY.
▲ 4	210020	POSITIONER, VALVE HANDLE	1
▲ 5	160106	HOSE, SOLUTION	1
▲ 6	150100	FITTING, 1/4MX1/8F BUSHING	1
▲ 7	150913	FITTING, 1/4F QD FML COUPLER	1

▽ ASSEMBLY

▲ INCLUDED IN ASSEMBLY

● RECOMMENDED STOCK ITEMS

LOW PRESSURE UPHOLSTERY TOOL



REF	PART #	DESCRIPTION	QTY.
▽	200540	●ASSEMBLY, UPHOLSTERY TOOL	1
▲ 1	200845	COVER	1
▲ 2	200843	GASKET	1
▲ 3	190631	●KIT, VALVE ASM.	1
▲ 4	210226	●VALVE, LP	1
▲ 5	200991	●NOZZLE	1
▲ 6	200838	SCREW	4
▲ 7	200840	TRIGGER	1

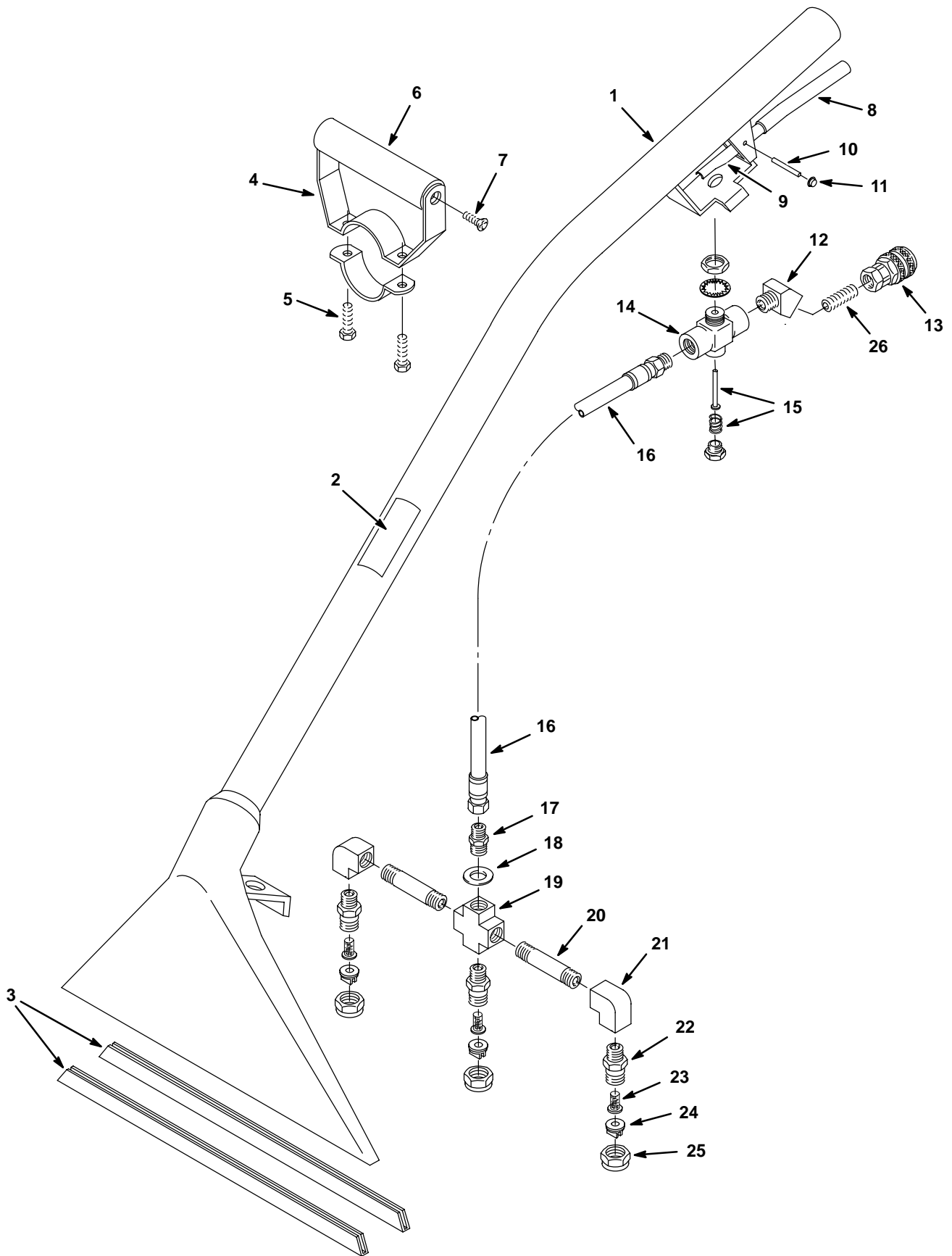
REF	PART #	DESCRIPTION	QTY.
▲ 8	200844	●HOSE, VACUUM	1
▲ 9	200837	●HOSE, SOLUTION	1
▲ 10	200848	FITTING	1
▲ 11	200842	FILTER	1
▲ 12	200841	SCREEN, FILTER	1
▲ 13	150606	FITTING, 1/4MX1/4M	1
▲ 14	150913	●COUPLER	1

▽ ASSEMBLY

▲ INCLUDED IN ASSEMBLY

● RECOMMENDED STOCK ITEMS

330mm (13 in) LOW PRESSURE FLOOR TOOL





**330mm (13 in) LOW PRESSURE FLOOR TOOL**

REF	PART #	DESCRIPTION	QTY.
▽	600048	●ASM., WAND LOW PRESSURE	1
▲ 1	200403.BK	TOOL, FLOOR BLACK	1
▲ 2	120846	DECAL, LOW PRESSURE TOOL	1
▲ 3	200939	●SHOE, 330MM (13 IN) FLR TOOL	2
▲▽ 4	200927	GRIP, HAND ADJ. COMPLETE	1
▲ 5	140259	SCREW, 1/4-20X5/8	2
▲ 6	200912	GRIP, HANDLE FOAM	1
▲ 7	140834	SCREW, 1/4-20X5/8	2
▲ 8	200809	SLEEVE, HANDLE	1
▲ 9	200902	HANDLE, VALVE	1
▲ 10	140605	PIN, HANDLE	1
▲ 11	140520	NUT, 1/4 PUSH BLK	2
▲ 12	150403	FITTING, 1/4MX1/4F 45 STR	1
▲ 13	150913	●FITTING, 1/4F QD CPLR SER 60	1

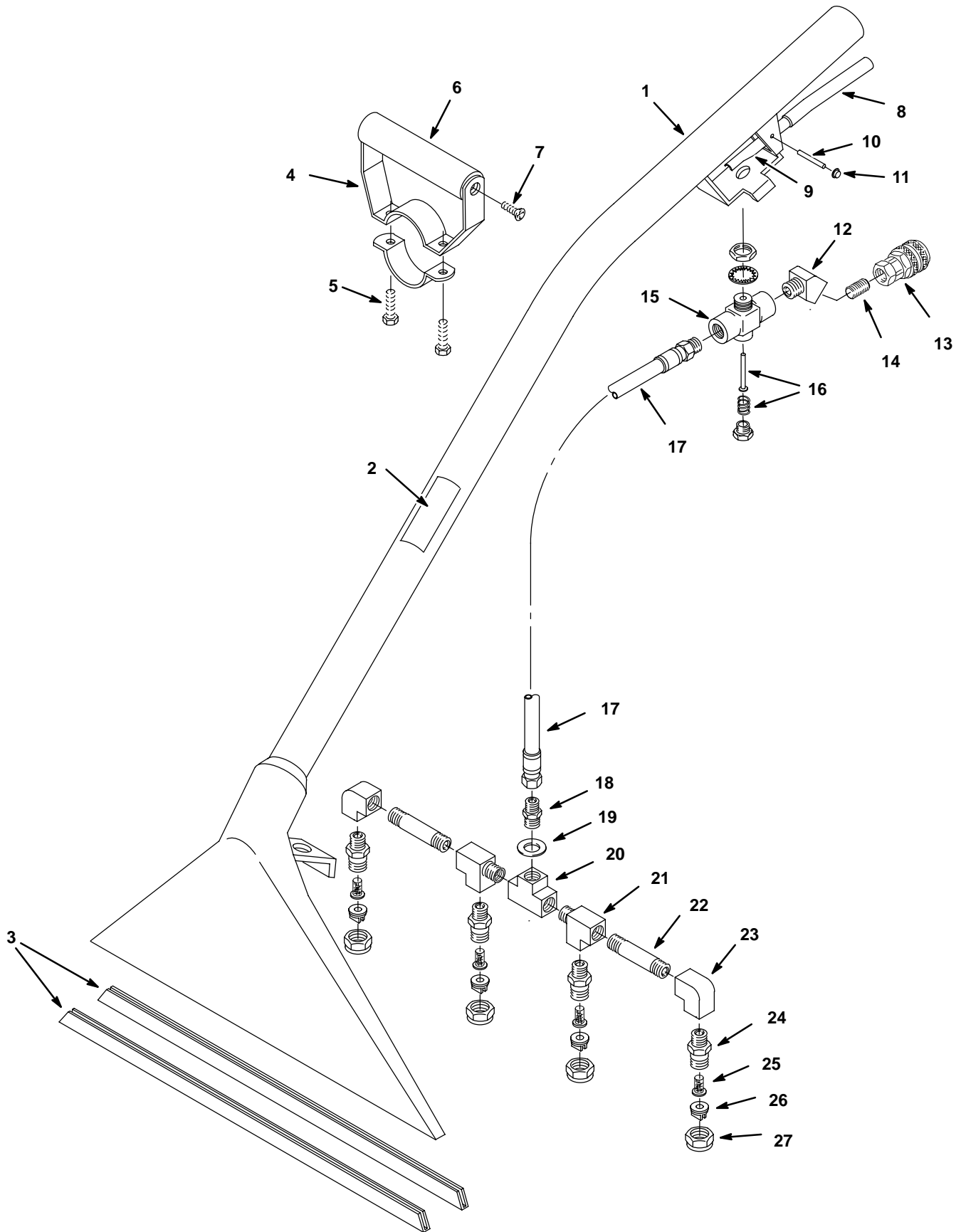
REF	PART #	DESCRIPTION	QTY.
▲▽ 14	210150	●VALVE, FLOW CONTROL	1
▲ 15	190603	●KIT, VALVE PIN AND SPRING	1
▲ 16	160170	ASM, HOSE LOW PRESSURE	1
▲ 17	150606	FITTING, 1/4MX1-3/8HEXNIP	1
▲ 18	140058	WASHER, .543X.875X.062 WAND	1
▲▽	700062	ASM., SPRAYBAR WO/TIPS	1
▲ 19	150700	CROSS, 1/4 FPT	1
▲ 20	150600	FITTING, 1/4MX2" NIPPLE	2
▲ 21	150401	FITTING, 1/4FX1/4F ELBOW 90	2
▲ 22	200993	SPRAY BODY, 1/4" MALE	3
▲ 23	200996	●FILTER, SCREEN 100 MESH	3
▲ 24	200964	●FITTING, TIP 11003 T-JET	3
▲ 25	200994	●CAP, SPRAY BODY	3
▲ 26	150615	FITTING, 1/4MX7/8 CLSNIP	1

▽ ASSEMBLY

▲ INCLUDED IN ASSEMBLY

● RECOMMENDED STOCK ITEMS

406mm (16 in) LOW PRESSURE FLOOR TOOL



**406mm (16 in) LOW PRESSURE FLOOR TOOL**

REF	PART #	DESCRIPTION	QTY.
▽	200503	●ASM., FLOOR TOOL	1
▲ 1	200411.BK	TOOL, FLOOR 406MM (16 IN)	1
▲ 2	120846	DECAL, LOW PRESSURE TOOL	1
▲ 3	200956	●SHOE, 406MM (16 IN) FLR TOOL	2
▲▽ 4	200927	GRIP, HAND ADJ. COMPLETE	1
▲ 5	140259	SCREW, 1/4-20X5/8	2
▲ 6	200912	GRIP, HANDLE FOAM	1
▲ 7	140834	SCREW, 1/4-20X5/8	2
▲ 8	200809	SLEEVE, HANDLE	1
▲ 9	200902	HANDLE, VALVE	1
▲ 10	140605	PIN, HANDLE	1
▲ 11	140520	NUT, 1/4 PUSH BLK	2
▲ 12	150403	FITTING, 1/4MX1/4F 45 STR	1
▲ 13	150913	●COUPLER, SER. 60	1
▲ 14	150615	NIPPLE, CLOSE 1/4	1

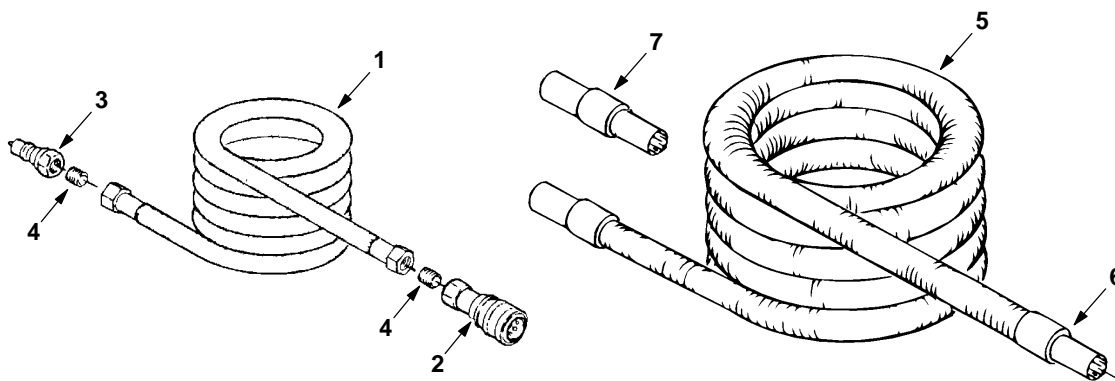
REF	PART #	DESCRIPTION	QTY.
▲▽ 15	210150	●VALVE, FLOW CONTROL	1
▲ 16	190603	●KIT, VALVE PIN AND SPRING	1
▲ 17	160170	ASM, HOSE LOW PRESSURE	1
▲ 18	150606	FITTING, 1/4MX1-3/8HEXNIP	1
▲ 19	140058	WASHER, .543X.875X.062 WAND	1
▲▽	700656	ASM., SPRAYBAR 16" WO/TIPS	1
▲ 20	150706	FITTING, 1/4F TEE	1
▲ 21	150709	FITTING, 1/4F X 1/4F X 1/4M	2
▲ 22	150600	FITTING, 1/4MX2" NIPPLE	2
▲ 23	150401	FITTING, 1/4FX1/4F ELBOW 90	2
▲ 24	200993	SPRAY BODY, 1/4" MALE	4
▲ 25	200996	●FILTER, SCREEN 100 MESH	4
▲ 26	200964	●FITTING, TIP 11003 T-JET	4
▲ 27	200994	●CAP, SPRAY BODY	4

▽ ASSEMBLY

▲ INCLUDED IN ASSEMBLY

● RECOMMENDED STOCK ITEMS

## SOLUTION AND VACUUM HOSES



REF	PART #	DESCRIPTION	QTY.
▽	600329	●KIT, HOSE, VAC & SOL 4.6M (15')	1
	600330	●KIT, HOSE, VAC & SOL 7.6M (25')	1
	600331	●KIT, HOSE, VAC & SOL 15.2M (50')	1
▲▽ 1	160185	HOSE, SOLUTION 4.6M (15')	1
	160186	HOSE, SOLUTION 7.6M (25')	1
	160187	HOSE, SOLUTION 15.2M (50')	1
▲ 2	150913	●COUPLER, QUICK SER. 60	1
▲ 3	150933	PLUG, QUICK COUPLER	1
▲ 4	150615	NIPPLE	2

REF	PART #	DESCRIPTION	QTY.
▲▽ 5	160400	HOSE, VACUUM 4.6M (15')	1
	160401	HOSE, VACUUM 7.6M (25')	1
	160402	HOSE, VACUUM 15.2M (50')	1
▲ 6	160430	●CUFF, HOSE 1-1/2"	2
▲ 7	160451	●CONNECTOR, VAC HOSE 1-1/2"	1

▽ ASSEMBLY

▲ INCLUDED IN ASSEMBLY

● RECOMMENDED STOCK ITEMS