

## TABLE OF CONTENTS - CHAPTER 2

---

Frame .....	2-2
Covers .....	2-4
Wheel drive .....	2-6
Lower wheel drive .....	2-8
Main broom .....	2-10
Main Broom Arms .....	2-12
Right Hand Side Broom .....	2-14
Hopper .....	2-16
Filter Shaker .....	2-18
Impeller .....	2-20
Battery .....	2-22
Engine .....	2-24
Electrical Assembly (Battery) .....	2-26
Electrical Assembly (Gas) .....	2-28
Control Panel (Battery) .....	2-30
Control Panel (Gas) .....	2-32
Decals (Gas & Battery) .....	2-34

## FRAME - PARTS LIST

---

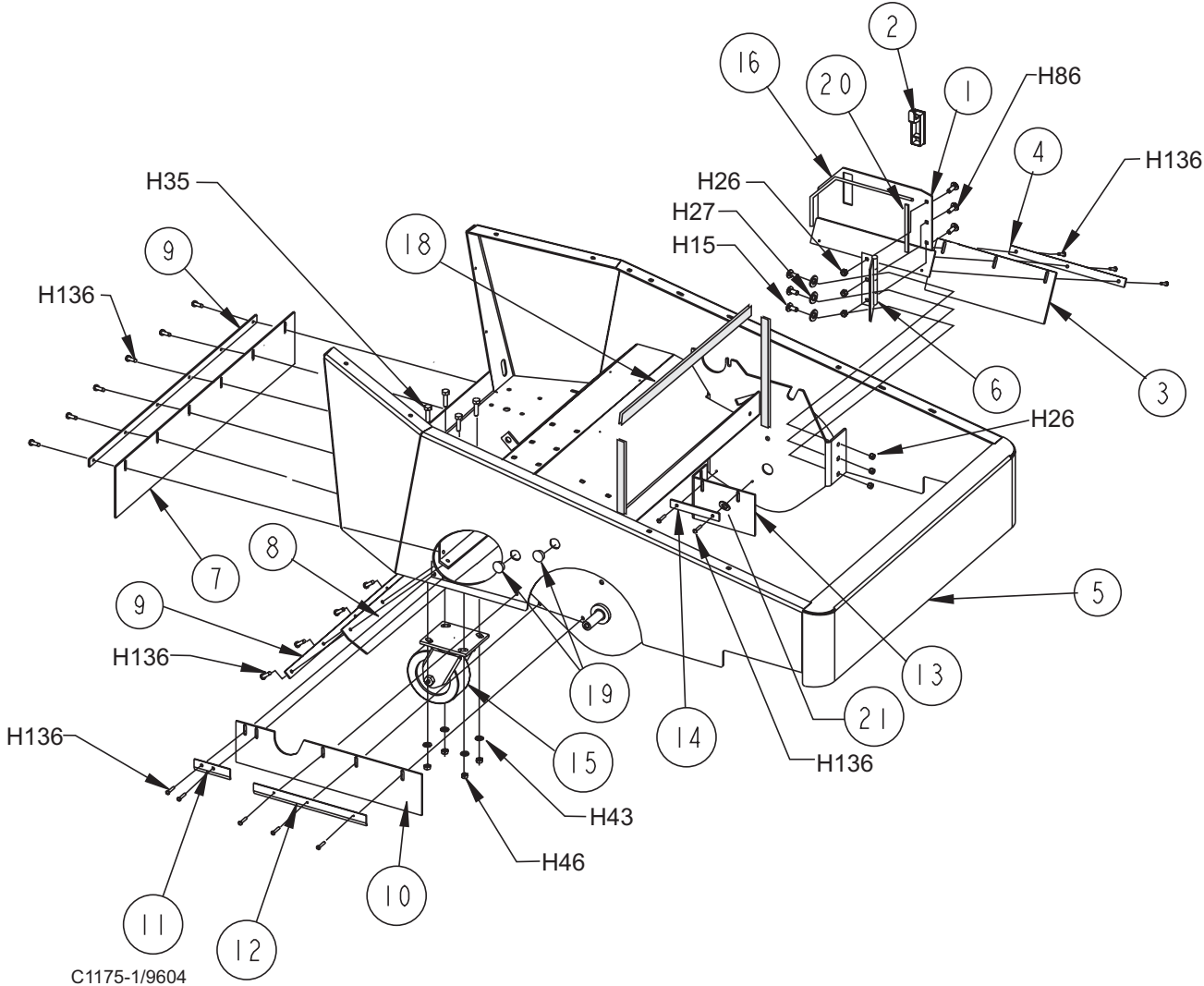
<u>KEY NO.</u>	<u>PART NUMBER</u>	<u>DESCRIPTION</u>	<u>QTY</u>
1	8-52-00179	Broom Door	1
2	8-41-00040	Latch	1
3	8-25-08205	Flap, R.H. Side	1
4	8-13-07127	Door Clamp	1
5	8-27-07116	Frame, Welded	1
6	8-32-00046	Hinge, Broom Door	1
7	8-25-08204	Flap, Rear Outside	1
8	8-25-08203	Flap, Rear Inside	1
9	8-13-07129	Clamp, Rear Flaps	2
10	8-25-08206	Flap R.H. Side	1
11	8-13-07126	Clamp, R.H. Rear	1
12	8-13-07125	Clamp, R.H. Front	1
13	8-25-08207	Flap, L.H. Wheel Well	1
14	8-13-07128	Clamp, Wheel Well Flap	1
15	0797-038	Caster	1
16	3-73-00056	Seal, Broom Door - Long	1
17			
18	8-68-05072	Seal, Hopper - Long	1
19	2-00-05134	Plug Button	2
20	8-68-05084	Seal, Broom Door - Short	1
21	2-00-00466	Washer	1

### HARDWARE USED:

H15	2-00-00221	Screw, 1/4 - 20 x .750 HHC	3
H26	2-00-00641	Nut, 1/4 - 20 Insert Fiber	6
H27	2-00-03702	Washer, .625 x .281 x .063	6
H35	2-00-02708	Screw, 5/16 - 18 x 1.000 HHM	4
H43	2-00-00409	Flat Washer, .687 x .344 x .062	4
H46	2-00-00644	Nut, 5/16 - 18, Insert Fiber	4
H86	2-00-03575	Carriage Bolt, 1/4 - 20 x .750	3
H136	2-00-03940	Screw, #10-24 x .500 T/C HH	20

C1175-1/9604

FRAME - EXPLODED VIEW



C1175-1/9604

## COVERS - PARTS LIST

---

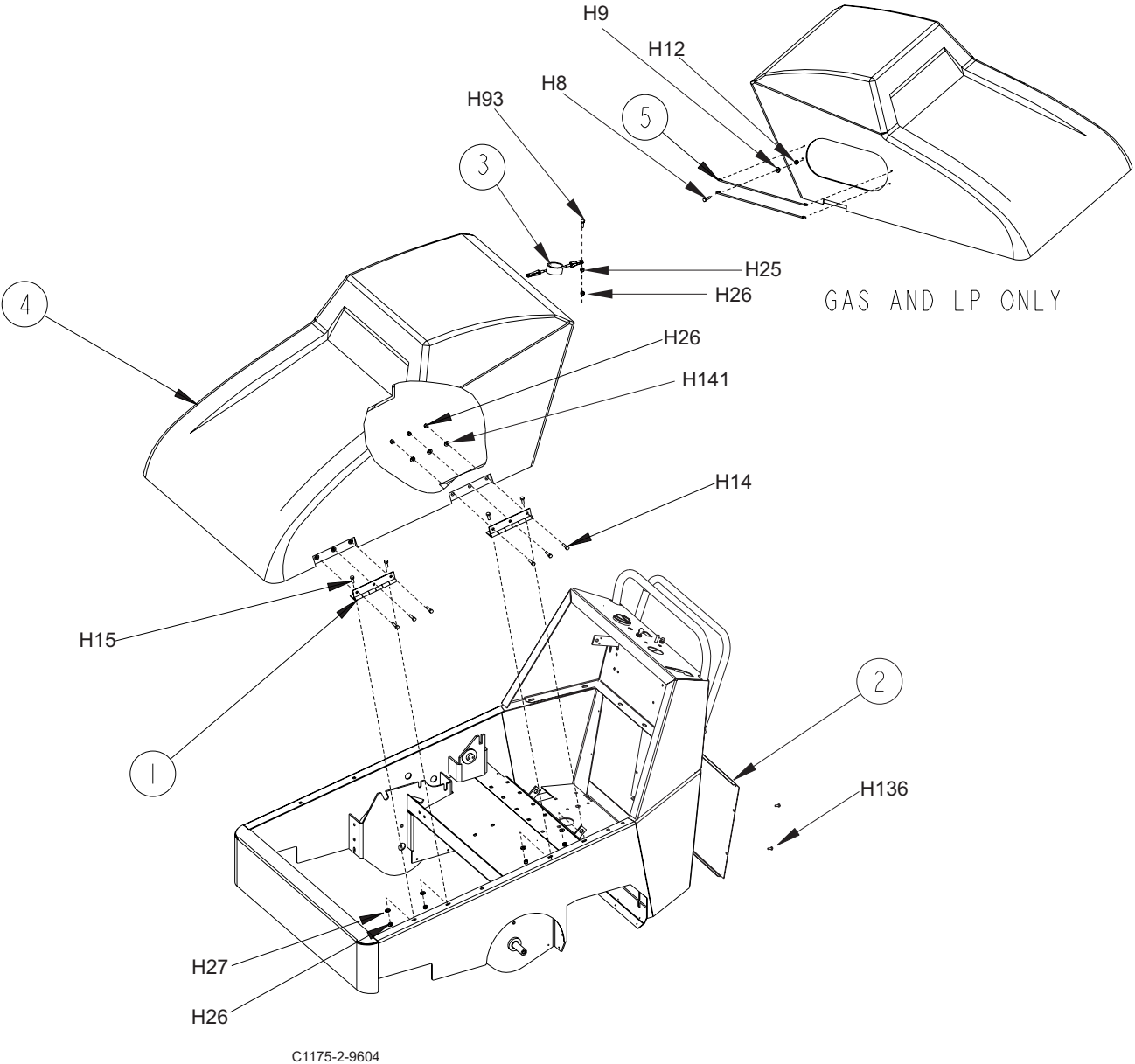
<u>KEY NO.</u>	<u>PART NUMBER</u>	<u>DESCRIPTION</u>	<u>QTY</u>
1	8-32-00050	Hinge	2
2	8-16-07358	Rear Cover	1
3	8-10-00027	Cable	1
4	8-16-07415	Cover (24VDC ONLY)	1
	8-16-07416	Cover (GAS AND LP ONLY)	1
5	8-05-07089	Bar, Grill (Gas & LP Only)	2

### HARDWARE USED:

H8	2-00-00039	Screw, #10 - 24 x .675 FHM	4
H9	2-00-00426	Flat Washer, .500 x .219 x .063	4
H12	2-00-01246	Nut, Hex Fiber Insert #10-24	4
H14	2-00-00219	Screw, 1/4-20 x .500 HHC	6
H15	2-00-00221	Screw, 1/4 - 20 x .750 HHC	4
H25	2-00-00594	Nut, Hex 1/4-20 x .437 x .218	2
H26	2-00-00641	Nut, 1/4 - 20 Insert Fiber	6
H27	2-00-03702	Washer, .625 x .281 x .063	4
H93	2-00-00222	Screw, 1/4-20 x 1.250 HHM	2
H136	2-00-03940	Screw, #10-24 x .500 T/C HH	4
H141	2-00-00501	Lock Washer, Int.	6

C1175-2/6904

COVERS - EXPLODED VIEW



## WHEEL DRIVE - PARTS LIST

---

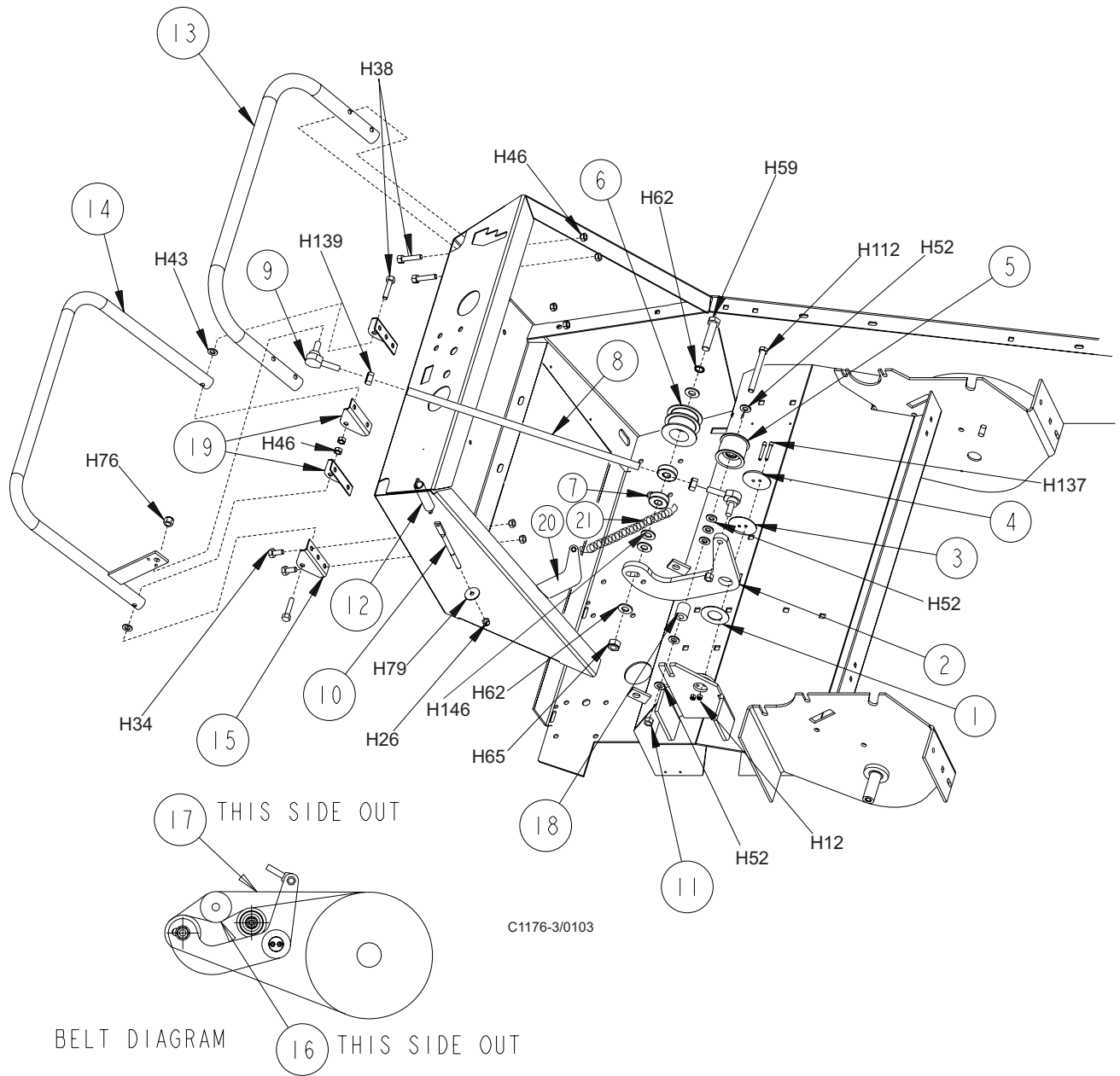
<u>KEY NO.</u>	<u>PART NUMBER</u>	<u>DESCRIPTION</u>	<u>QTY.</u>
1	8-23-03067	Washer, Fwd/Rev Outer	1
2	8-03-04312	Arm, Forward/Reverse	1
3	8-23-03066	Washer, Fwd/Rev Inner	1
4	8-58-05276	Washer, Fwd/Rev	1
5	8-60-00183	Idler Pulley	1
6	8-60-00177	Idler Pulley (Fwd/Rev)	1
7	2-00-03306	Bearing	2
8	8-42-05138	Link	1
9	8-25-02019	Ball Joint	2
10	2-00-02172	Rod, Clutch Centering	1
11	2-95-04182	Nut, Fiber	1
12	7-76-00096	Spring	1
13	8-31-06085	Control Handle	1
14	8-31-06088	Handle, Clutch (Welded)	1
15	8-08-00798	Bracket, Clutch Handle	2
16	2-00-05284	Belt, Forward (3/4 x 38")	1
17	2-00-05285	Belt, Reverse (1/2 x 38")	1
18	8-75-01115	Spacer, .875 x .375 x .940	1
19	8-08-00828	Bracket, Clutch Handle	2
20	7-08-00509	Bracket	1
21	7-76-00102	Spring	1

### HARDWARE USED:

H9	2-00-00426	Flat Washer, .500 x .219 x .063	3
H12	2-00-01246	Nut, Hex Fiber Insert #10 - 24	3
H15	2-00-00221	Screw, 1/4-20 x .750 HHC	2
H36	2-00-00196	Carriage Bolt, 5/16-18 x 1.000	4
H43	2-00-00409	Flat Washer, .687 x .344 x .062	2
H46	2-00-00644	Nut, 5/16-18, Insert Fiber	10
H52	2-00-00402	Flat Washer, .750 x .390 x .094	4
H62	2-00-00405	Flat Washer, 1.063 x .531 x .094	4
H65	2-00-04936	Nut, 1/2-13 Fiber Lock	1
H102	2-00-04795	Screw, #10-24 x .750 BHS	3
H131	2-00-03855	Carriage Bolt, 2/8-16 x 1.000	2
H134	2-00-03032	Screw, 3/8-16 x .750 FHS	2
H140	2-00-00447	Flat Washer, 1.250 x .280 x .090	2
H141	2-00-00501	Lock Washer, Int.	2
H142	2-00-05244	Carriage Bolt, 1/2-13 x 2.000	2
H143	2-00-00432	Flat Washer, 1.130 x .770 x .063	4
H144	2-00-02303	Lock Washer, Int.	8
H146	2-00-00420	Flat Washer, 1.000 x .516 x .063	2

C1176-3/0103

# WHEEL DRIVE - EXPLODED VIEW



## LOWER WHEEL DRIVE - PARTS LIST

<u>KEY NO.</u>	<u>PART NUMBER</u>	<u>DESCRIPTION</u>	<u>QTY.</u>
1	0885-086	Differential	1
2	8-08-00800	Bracket, Differential Bearing	1
3	2-00-03997	Bearing, Flange	2
4	8-25-06012	Flange, Welded	1
5	8-89-08072	Drive Wheel	2
6	8-65-00046	Axle Retainer	2
7	8-75-05069	Idler Sprocket	2
8	8-60-00178	Differential Pulley	1
9	2-00-04636	Ball Bearing	5
10	8-75-01202	Spacer, Wheel	2
11	8-76-05023	Idler Sprocket	2
12	8-76-05013	Drive Sprocket	2
13	2-00-03306	Bearing	2
14	2-00-05295	Screw, 5/16-18 x 2.000 HSHC	8
15	8-12-05051	Chain	2
16	2-00-00264	Screw, 5/16 HS-KCP	2
17	2-00-02227	Key, Square 1/8 x .750	2
18	2-95-04182	Nut, Fiber	2
19	8-75-01208	Differential Spacer	4

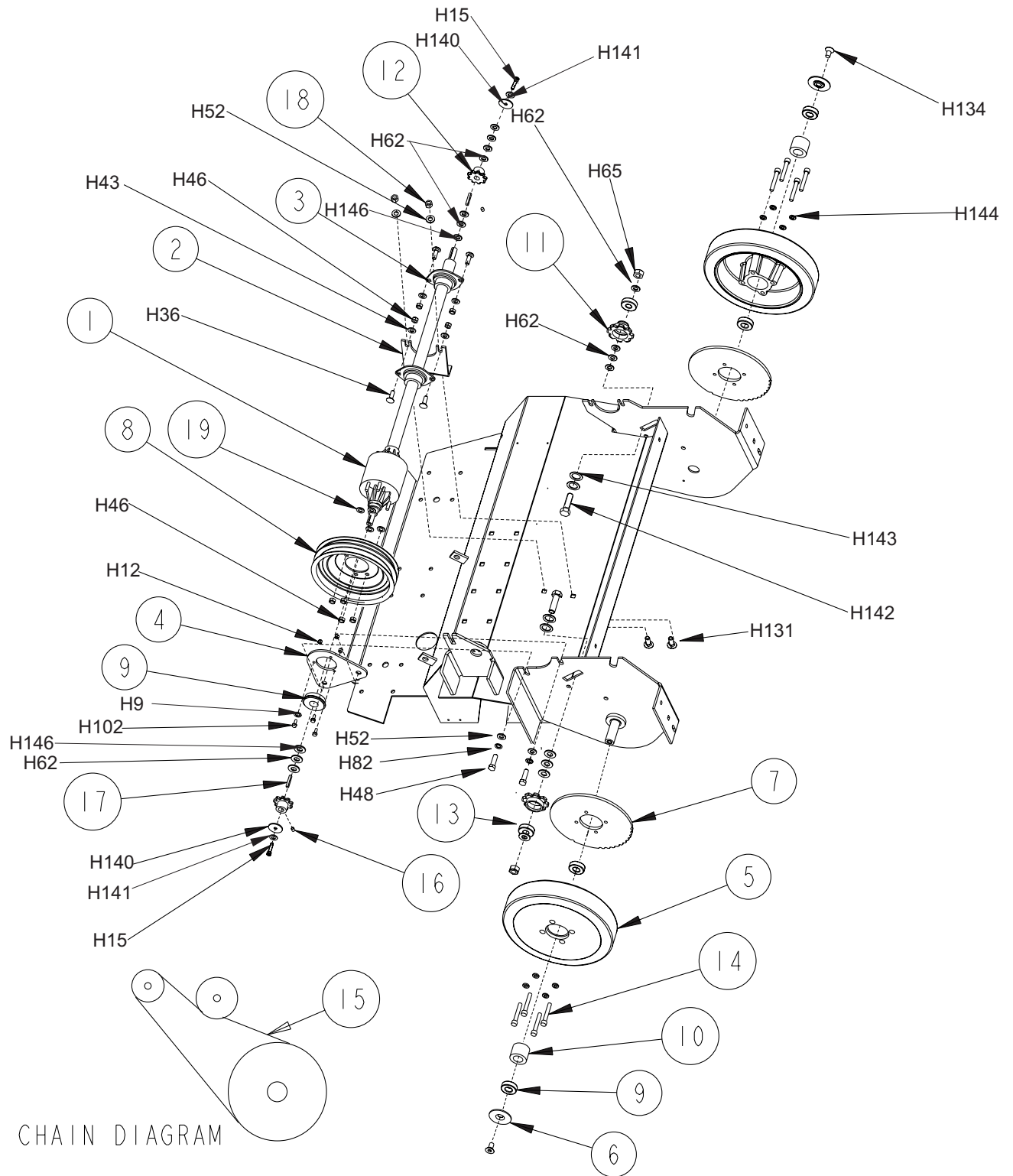
### HARDWARE USED:

H9	2-00-00426	Flat Washer, .500 x .219 x .063	3
H12	2-00-01246	Nut, Hex Fiber Insert #10-24	3
H15	2-00-00221	Screw, 1/4-20 x .750 HHC	1
H36	2-00-00196	Carriage Bolt, 5/16-18 x 1.000	4
H43	2-00-00409	Flat Washer, .687 x .344 x .062	4
H46	2-00-00644	Nut, 5/16-18, Insert Fiber	8
H48	2-00-00233	Screw, 3/8-16 x 1.000 HHC	2
H52	2-00-00402	Flat Washer, .750 x .390 x .094	4
H62	2-00-00405	Flat Washer, 1.063 x .531 x .094	15
H65	2-00-04936	Nut, 1/2-13 Fiber Lock	2
H82	2-00-00505	Lock Washer, 3/8 Int. Tooth	2
H102	2-00-04795	Screw, #10-24 x .750 BHS	3
H131	2-00-03855	Carriage Bolt, 3/8-16 x 1.000	2
H134	2-00-03032	Screw, 3/8-16 x .750 FHS	2
H140	2-00-00447	Flat Washer, 1.250 x .280 x .090	2
H141	2-00-00501	Lock Washer, Int.	2
H142	2-00-05244	Carriage Bolt, 1/2-13 x 2.000	2
H143	2-00-00432	Flat Washer, 1.13 x .770 x .063	4
H144	2-00-02303	Lock Washer, Int.	8
H146	2-00-00420	Flat Washer, 1.000 x .516 x .063	4

C-1176-2



# LOWER WHEEL DRIVE - EXPLODED VIEW



CHAIN DIAGRAM

C1176-2/9604

## MAIN BROOM - PARTS LIST

---

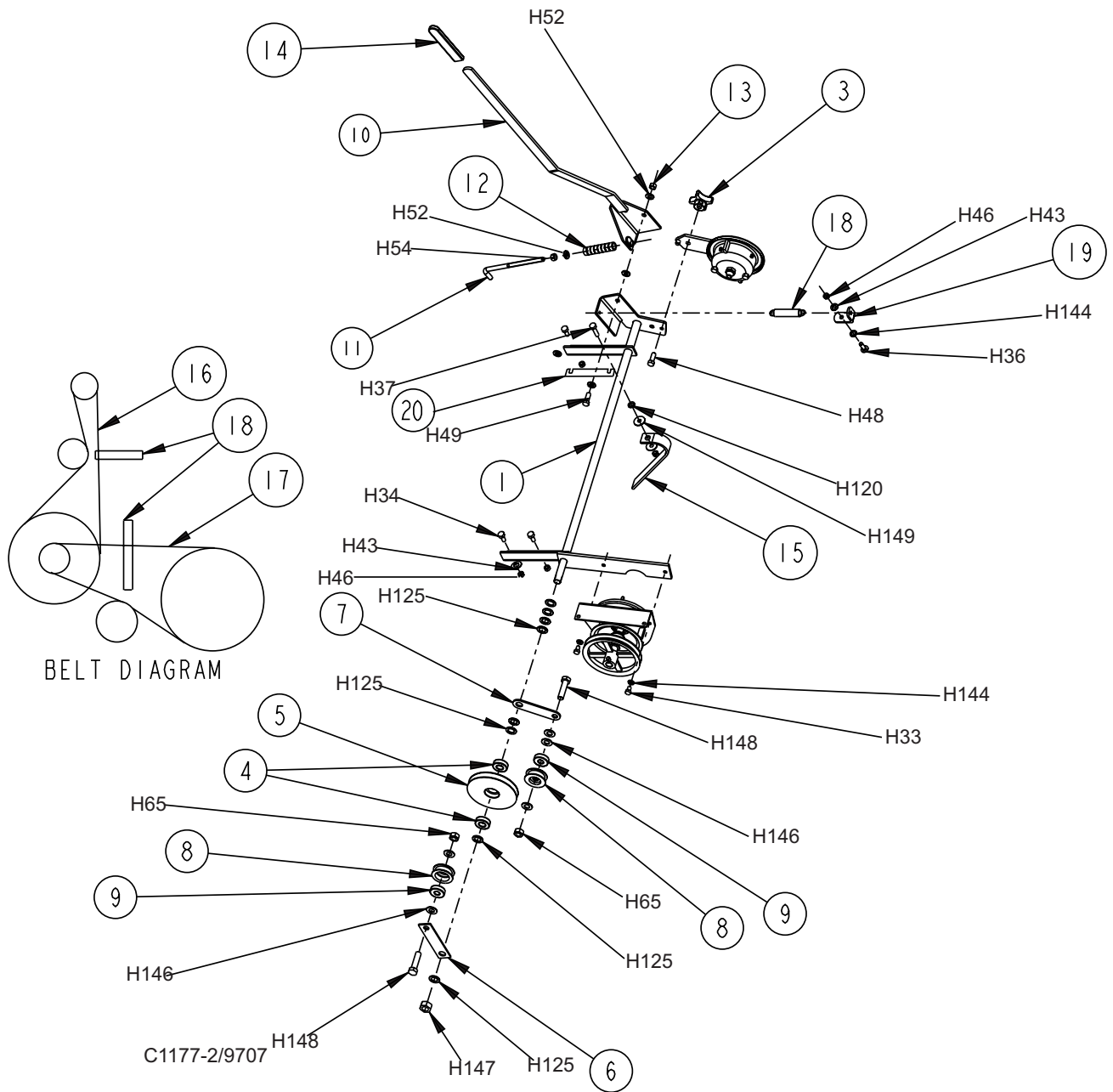
<u>KEY NO.</u>	<u>PART NUMBER</u>	<u>DESCRIPTION</u>	<u>QTY</u>
1	8-81-00176	Main Broom Arm Support	1
2			
3	7-39-00025	Knob	1
4	2-00-02049	Bearing	2
5	7-60-00141	Pulley	1
6	8-03-04308	Arm, Belt Idler (Upper)	1
7	8-03-04307	Arm, Belt Idler (Lower)	1
8	8-60-00174	Pulley, Idler (Main Broom)	2
9	2-00-03306	Bearing	2
10	8-41-05082	Lever, Main Broom	1
11	8-66-00174	Rod, Main Broom	1
12	2-10-01336	Spring	1
13	2-95-04182	Nut, Fiber	1
14	7-31-06066	Handle, Grip 1.000 x .250	1
15	8-79-00030	Strap, Static	1
16	2-00-05314	Belt	1
17	2-00-01036	Belt	1
18	8-76-00053	Spring	2
19	8-08-00809	Retainer	1

### HARDWARE USED:

H36	2-00-00196	Carriage Bolt, 5/16-18 x 1.000	1
H37	2-00-00207	Screw, 5/16-18 x 1.000	1
H43	2-00-00409	Flat Washer, .687 x .344 x .062	1
H46	2-00-00644	Nut, 5/16-18 Insert Fiber	5
H48	2-00-00233	Screw, 3/8-16 x 1.000 HHC	1
H49	2-00-00209	Screw, 3/8-16 x 1.250 HHC	2
H52	2-00-00402	Flat Washer, .750 x .390 x .094	3
H54	2-00-02360	Nut, 3/8-16 Hex.	1
H65	2-00-04936	Nut, 1/2-13 Fiber Lock	2
H125	2-00-00418	Flat Washer, .984 x .627 x .063	8
H144	2-00-02303	Lock Washer, Int.	4
H146	2-00-00420	Flat Washer, 1.000 x .516 x .063	5
H147	2-00-00642	Nut, Fiber Insert 5/18-18	1
H148	2-00-01778	Screw, 1/2-13 x 2.000 HHC	1
H149	2-00-01803	Washer, 1.063 x .031 x .063	2

C1177-2/9604

MAIN BROOM - EXPLODED VIEW



## MAIN BROOM ARMS - PARTS LIST

---

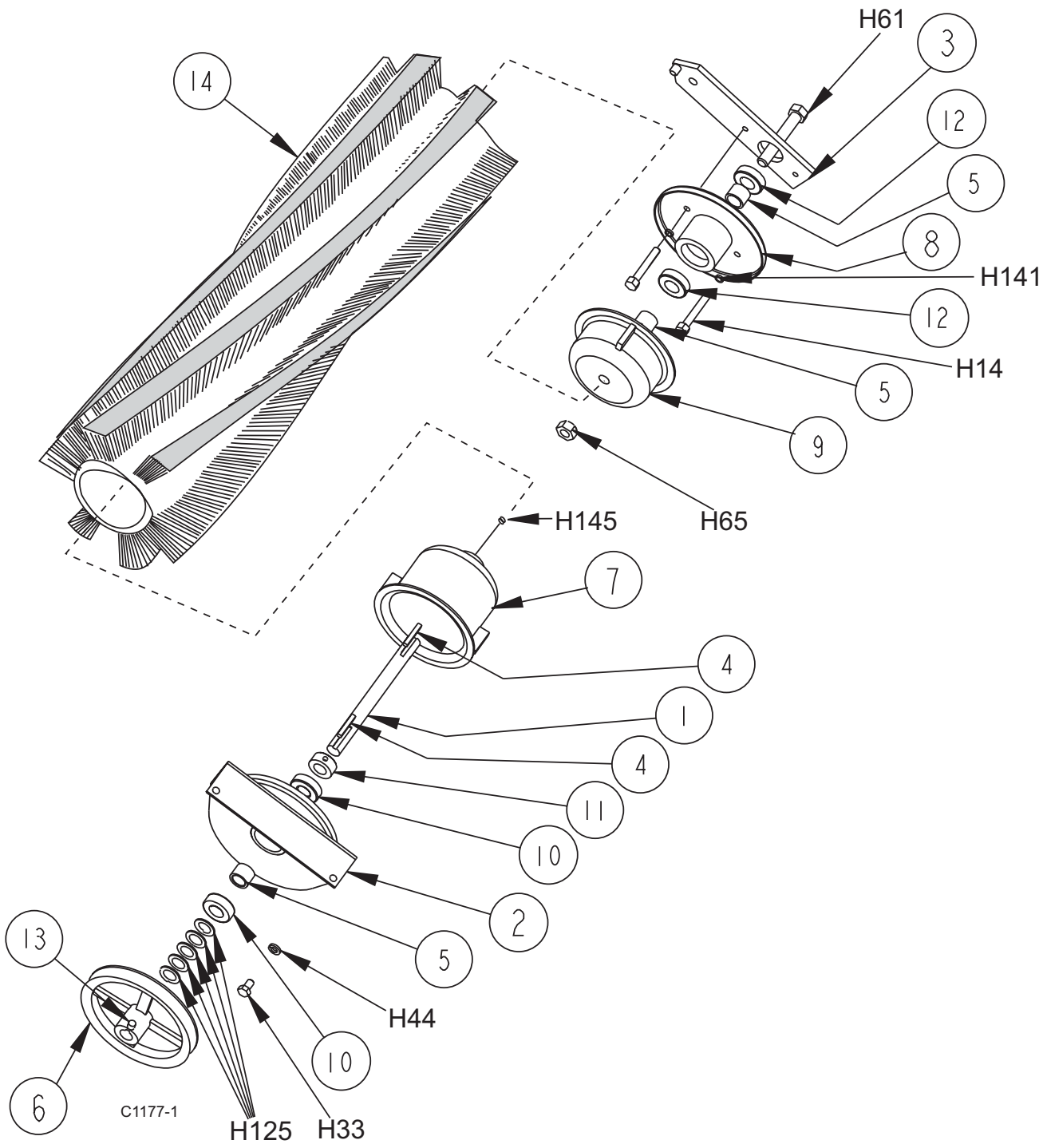
<u>KEY NO.</u>	<u>PART NUMBER</u>	<u>DESCRIPTION</u>	<u>QTY.</u>
1	8-70-05291	Broom Shaft	1
2	8-03-04311	Arm, Broom (R.H.)	1
3	8-03-04310	Arm, Broom Idler	1
4	2-00-02243	Key	2
5	2-00-03158	Spacer	2
6	7-60-00142	Pulley	1
7	8-33-09062	Driver Hub	1
8	8-30-05112	Guard	1
9	8-33-09059	Idler Hub	1
10	2-00-02049	Bearing	4
11	8-15-01002	Collar, Setscrew	4
12	2-00-03306	Bearing	2
13	2-95-01931	Setscrew	1
14	8-08-03216	Main Broom - Proex	Ref.
	8-08-03222	Main Broom - Nylon	Ref.
	8-08-03223	Main Broom - Nylon High Density	Ref.
	8-08-03230	Main Broom - Proex & Wire	Ref.

### HARDWARE USED:

H14	2-00-00219	Screw, 1/4-20 x .500 HHC	2
H61	2-00-02616	Screw, 1/2-13 x 3.000 HHC	1
H65	2-00-05936	Nut, 1/2-13 Fiber Lock	1
H125	2-00-00418	Flat Washer, .984 x .627 x .063	8
H141	2-00-00501	Lock Washer, Int.	2
H145	2-00-04180	Setscrew, 1/4-20 x .500	2

C1177-1

MAIN BROOM ARMS - EXPLODED VIEW



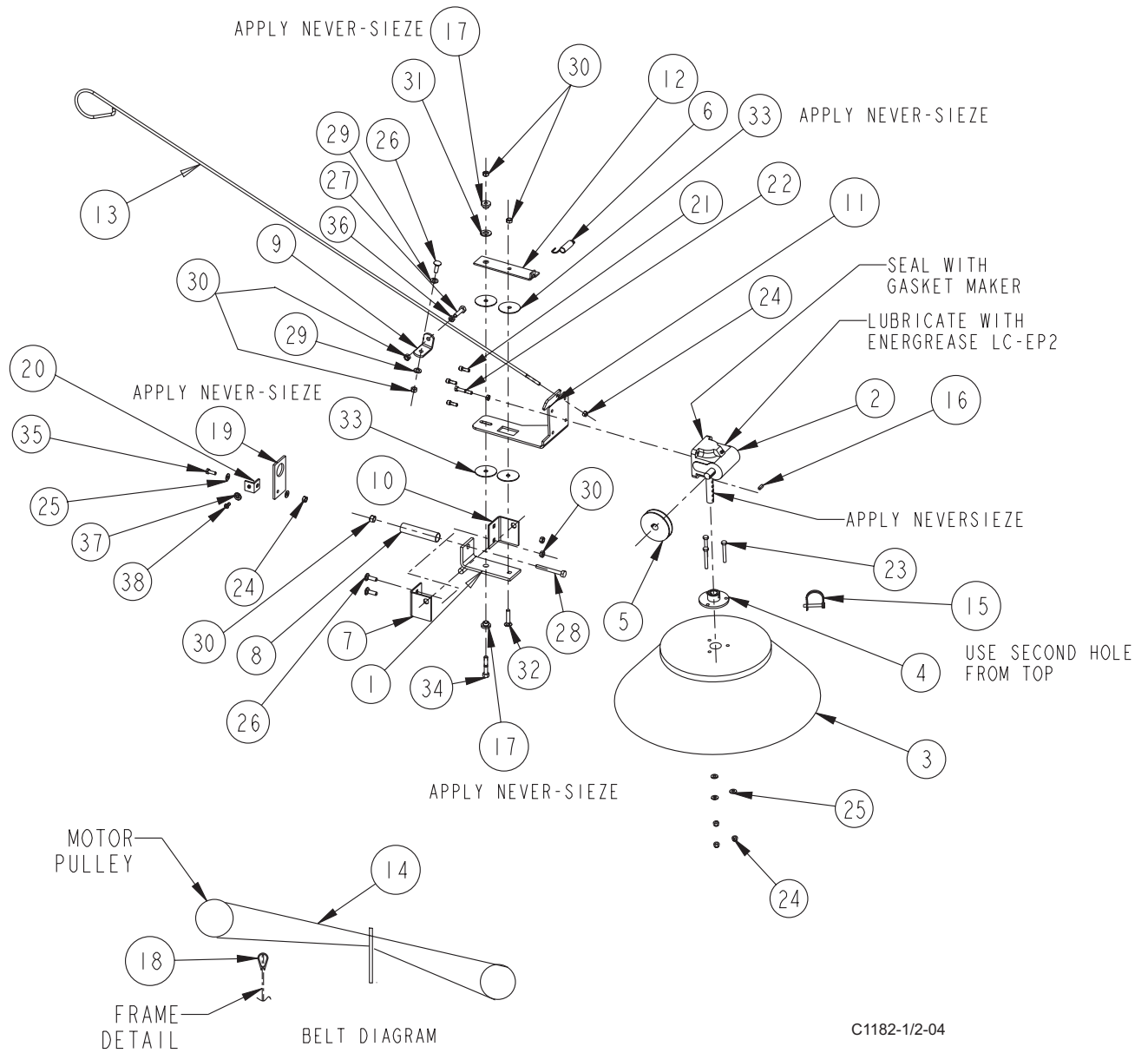
## RIGHT HAND SIDE BROOM - PARTS LIST

---

<u>KEY NO.</u>	<u>PART NUMBER</u>	<u>DESCRIPTION</u>	<u>QTY</u>
1	8-03-04313	Side Broom Arm (Welded)	1
2	0885-087	Gear Box Assembly	1
3	8-08-03215	Side Broom (Poly)	1
	8-08-03231	Side Broom (Nylon)	1
4	8-25-06006	Flange	1
5	8-60-00184	Pulley, Gear Box	1
6	7-76-00051	Spring	1
7	8-08-00806	Bracket, Side Broom (Outer)	1
8	7-76-00003	Spring	1
9	8-08-00809	Retainer, Side Broom Link	1
10	8-08-00807	Bracket, Side Broom (Inner)	1
11	8-81-00170	Support, Gear Box Mounting	1
12	8-58-05277	Plate, Side Broom Arm	1
13	8-66-00175	Rod, Side Broom Link	1
14	2-00-05286	Belt	1
15	8-55-08126	Pin, Safety Snap	1
16	2-00-02240	Key, 3/16 x .750	1
17	7-09-01057	Bushing	2
18	7-21-04042	Edging	1
19	8-30-08021	Guide, Side Broom Drive Belt	1
20	7-08-00223	Bracket	1
21	2-00-03051	Screw, 1/4-20 x .750 HSHC	3
22	2-00-00203	Screw, 1/4-20 x 1.500 HHC	1
23	2-00-02589	Screw, 1/4-20 x 2.000 HHC	3
24	2-00-00641	Nut, 1/4-20 Insert Fiber	5
25	2-00-03702	Washer, .625 x .281 x .063	5
26	2-00-00196	Carriage Bolt, 5/16-18 x 1.000	3
27	2-00-00207	Screw, 5/16-18 x 1.250 HHC	1
28	2-00-01770	Screw, 5/16-18 x 2.750 HHC	1
29	2-00-00409	Flat Washer, .687 x .344 x .062	2
30	2-00-00644	Nut, 5/16-18, Insert Fiber	7
31	2-00-00405	Flat Washer, 1.063 x .531 x .094	1
32	2-00-04681	Carriage Bolt, 5/16-18 x 1.250	1
33	2-00-05298	Flat Washer, .344 x 2.000 x .062	4
34	2-00-00211	Screw, 5/16-18 x 1.750 HHC	1
35	2-00-00221	Screw, 1/4-20 x .75 HHC	1
36	2-00-00585	Nut, .31-18 Finished Hex	1
37	2-00-00503	Lock Washer, Int./Ext. Tooth	1
38	2-00-04876	Screw, 1/4-20 x .50 BHS	1

C1182-1/2-04

**RIGHT HAND SIDE BROOM - EXPLODED VIEW**



## HOPPER - PARTS LIST

---

<u>KEY NO.</u>	<u>PART NUMBER</u>	<u>DESCRIPTION</u>	<u>QTY.</u>
1	8-32-06103	Hopper (Plastic)	1
2	8-13-07130	Clamp - Filter (Rear)	1
3	8-13-07131	Clamp - Filter (Front)	1
4	8-66-00177	Rod - Filter Tie	2
5	8-13-07124	Clamp - Hopper Flap	1
6	8-25-08208	Flap - Hopper	1
7	8-13-07133	Clamp - Hopper Lip	2
8	8-41-00058	Latch - Hopper Lift	1
9	8-31-06087	Handle - Hopper Lift	1
10	2-95-03355	Handle - Grip	1
11	7-31-06064	Handle	2
12	8-70-05301	Shaft - Hopper Pivot	1
13	8-15-01003	Collar	1
14	7-76-00112	Spring - Tie Rods	2
15	8-24-04074-1	Filter	1
	8-24-04074-2	POLY Filter Option	
16	8-51-05018	Pan - Filter Debris	1
17	2-00-01415	Pin - Roll Dia. .25 x 1.50	1
18	8-29-00247	Gasket	2
19	2-00-00246	Screw	1
20	2-00-02968	Screw	6

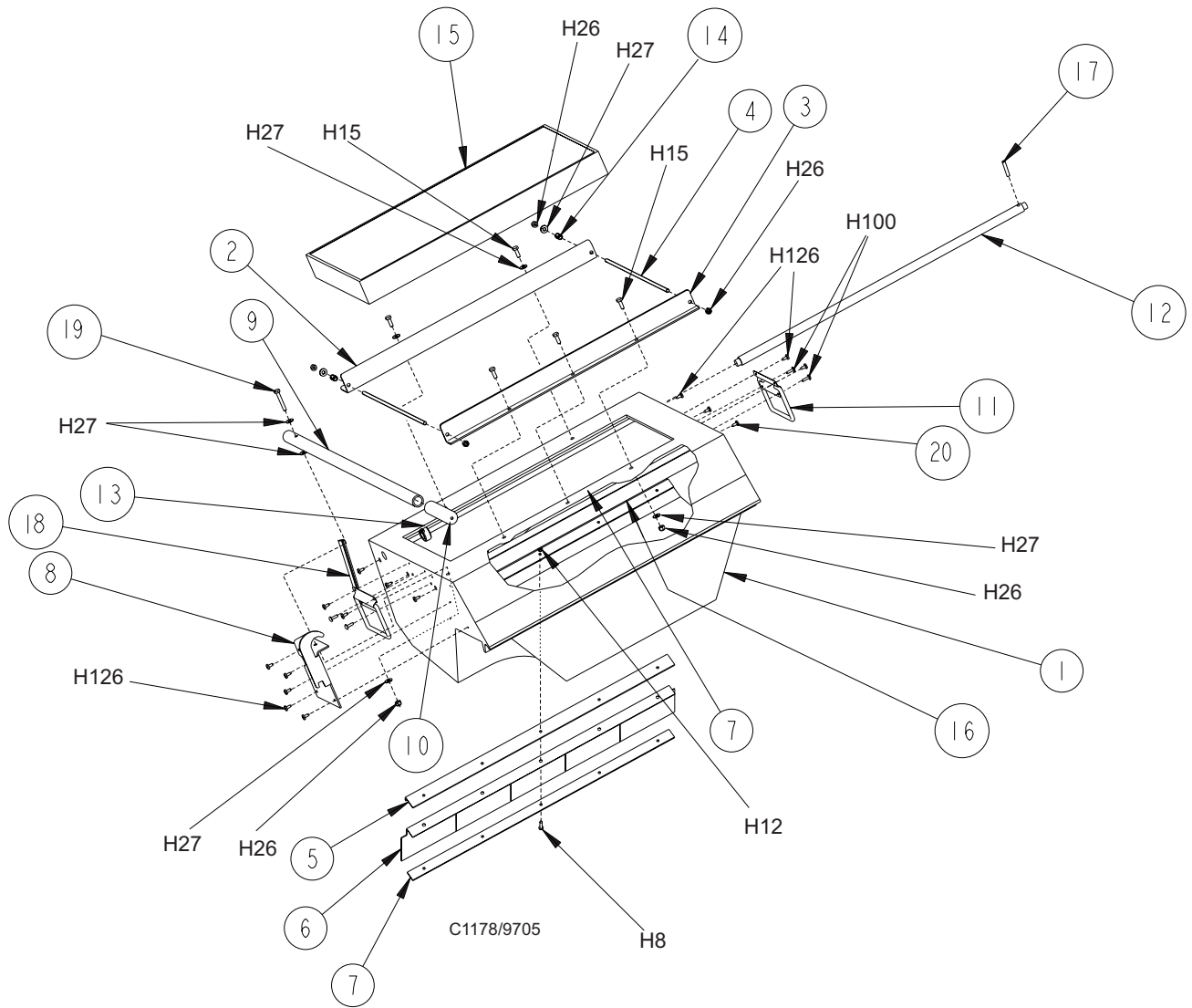
### HARDWARE USED:

H8	2-00-00039	Screw, 10-24 x 1.000 RHM	5
H12	2-00-01246	Nut, Hex Fiber Insert #10-24	5
H15	2-00-00221	Screw, 1/4-20 x .750 HHC	5
H26	2-00-00641	Nut, 1/4-20 Insert Fiber	10
H27	2-00-03702	Washer, .625 x .281 x .063	10
H100	2-00-03062	Screw, #10-24 x .625 THM	4
H126	2-00-03466	Screw, #10-16 x .500	15

C1178/9610



# HOPPER - EXPLODED VIEW



## FILTER SHAKER - PARTS LIST

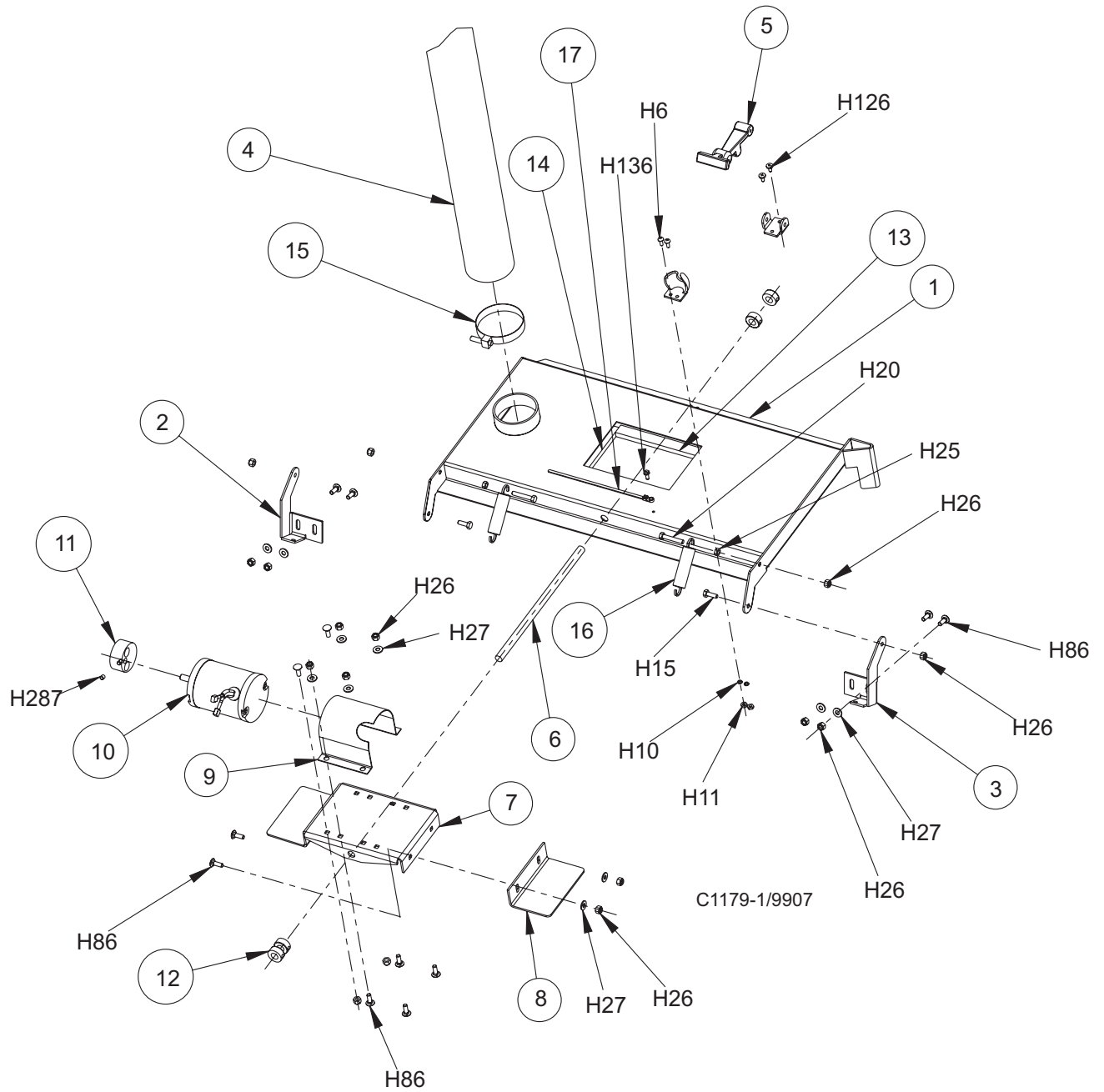
<u>KEY NO.</u>	<u>PART NUMBER</u>	<u>DESCRIPTION</u>	<u>QTY.</u>
1	8-24-04140	Manifold, Filter	1
2	8-08-00817	Filter Manifold Bracket	1
3	8-08-00819	Filter Manifold Bracket	1
4	8-33-02331	Hose, Impeller Inlet	1
5	8-41-00033	Filter Manifold Latch	1
6	8-55-08114	Shaker Pivot Pin	1
7	7-58-05278	Shaker Motor Plate	1
8	7-03-04135	Arm, Shaker	1
9	8-16-07406	Motor Hold Down	1
10	0860-623	Motor	1
11	8-89-04019	Weight, Filter Shaker	1
12	2-00-03589	Collar, Filter Shaker	4
13	8-29-00228	Gasket, Impeller Manifold	2
14	8-29-00229	Gasket, Impeller Manifold	2
15	7-13-07104	Clamp, Hose Impeller Inlet	1
16	8-76-00053	Spring	2
17	2-00-04937	Tie Raps	1

### HARDWARE USED:

H6	2-00-00049	Screw, #10-24 x .500 RHM	2
H10	2-00-00519	Lock Washer, #10 Med. HS	2
H11	2-00-00605	Nut, Hex MS #10-24 x .375 x .125	2
H15	2-00-00221	Screw, 1/4-20 x .750 HHC	2
H20	2-00-00203	Screw, 1/4-20 x 1.500 HHC	2
H25	2-00-00594	Nut, Hex 1/4-20 x .437 x .218	2
H26	2-00-00641	Nut, 1/4-20 Insert Fiber	12
H27	2-00-03702	Washer, .625 x .281 x .063	10
H86	2-00-03575	Carriage Bolt, 1/4-20 x .750	12
H126	2-00-03466	Screw, #10-16 x .500	2
H136	2-00-03940	Screw, #10-24 x .500 T/C HH	1
H287	2-00-00264	Set Screw, 1/4-20 x .313 HSKCP	

C1179-1

# FILTER SHAKER - EXPLODED VIEW



## IMPELLER - PARTS LIST

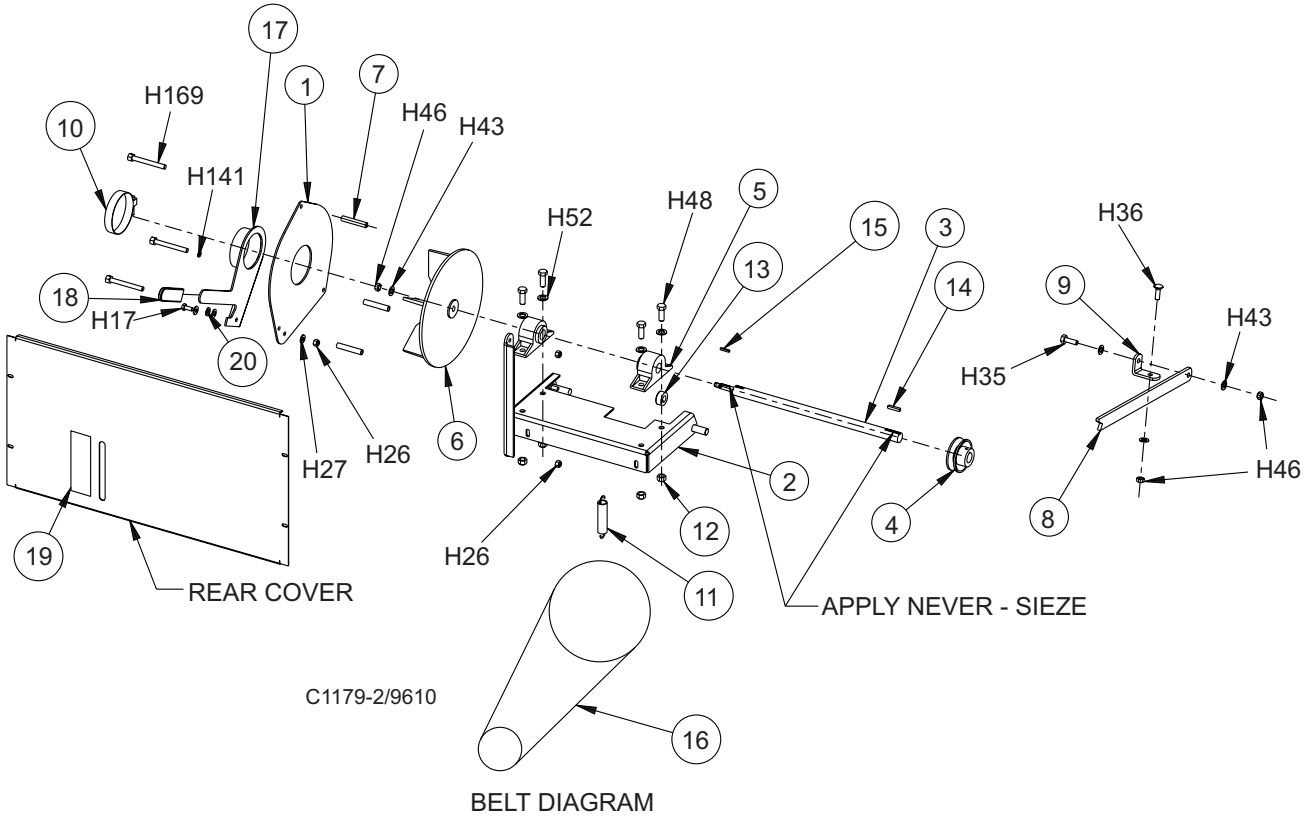
<u>KEY NO.</u>	<u>PART NUMBER</u>	<u>DESCRIPTION</u>	<u>QTY.</u>
1	8-16-07392	Plate Impeller Cover	1
2	8-81-00172	Support, Impeller	1
3	8-70-05296	Impeller Shaft	1
4	8-60-00182	Impeller Drive Pulley	1
5	2-95-04317	Bearing, Impeller Shaft	2
6	8-23-00012	Impeller Fan	1
7	8-75-01203	Spacer, Impeller Cover	3
8	8-03-04314	Arm, Hopper Latch	1
9	8-08-00809	Bracket, Latch Arm	1
10	7-13-07104	Clamp, Hose (Impeller Inlet)	1
11	7-76-00096	Spring	1
12	2-95-04182	Nut, Fiber	4
13	2-00-03589	Collar, Filter Shaker	1
14	2-00-00709	Key, Square 3/16 x 1.000	1
15	2-00-02227	Key, Square 1/8 x .750	1
16	2-00-05200	Belt	1
17	8-16-07393	Bypass Cover	1
18	7-31-06072	Handle Grip	1
19	8-18-00433	Decal - Wet Sweep Bypass	1
20	7-23-03048	Washer, Frict - Spr - Shakeproof	2

### HARDWARE USED:

H17	2-00-00205	Screw, 1/4-20 x 1.000 HHC	1
H26	2-00-00641	Nut, 1/4-20 Insert Fiber	3
H27	2-00-03702	Washer, .625 x .281 x .063	2
H35	2-00-02708	Screw, 5/16-18 x 1.000 HHM	1
H36	2-00-00196	Carriage Bolt, 5/16-18 x 1.000	1
H43	2-00-00409	Flat Washer, .687 x .344 x .062	4
H46	2-00-00644	Nut, 5/16-18, Insert Fiber	3
H48	2-00-00233	Screw, 3/8-16 x 1.000 HHC	4
H52	2-00-00402	Flat Washer, .750 x .390 x .094	4
H141	2-00-00501	Lock Washer, Int.	1
H169	2-00-02637	Screw, 1/4-20 x 2.750 HHC	3

C1179-2/9705

**IMPELLER -EXPLODED VIEW**



## BATTERY - PARTS LIST

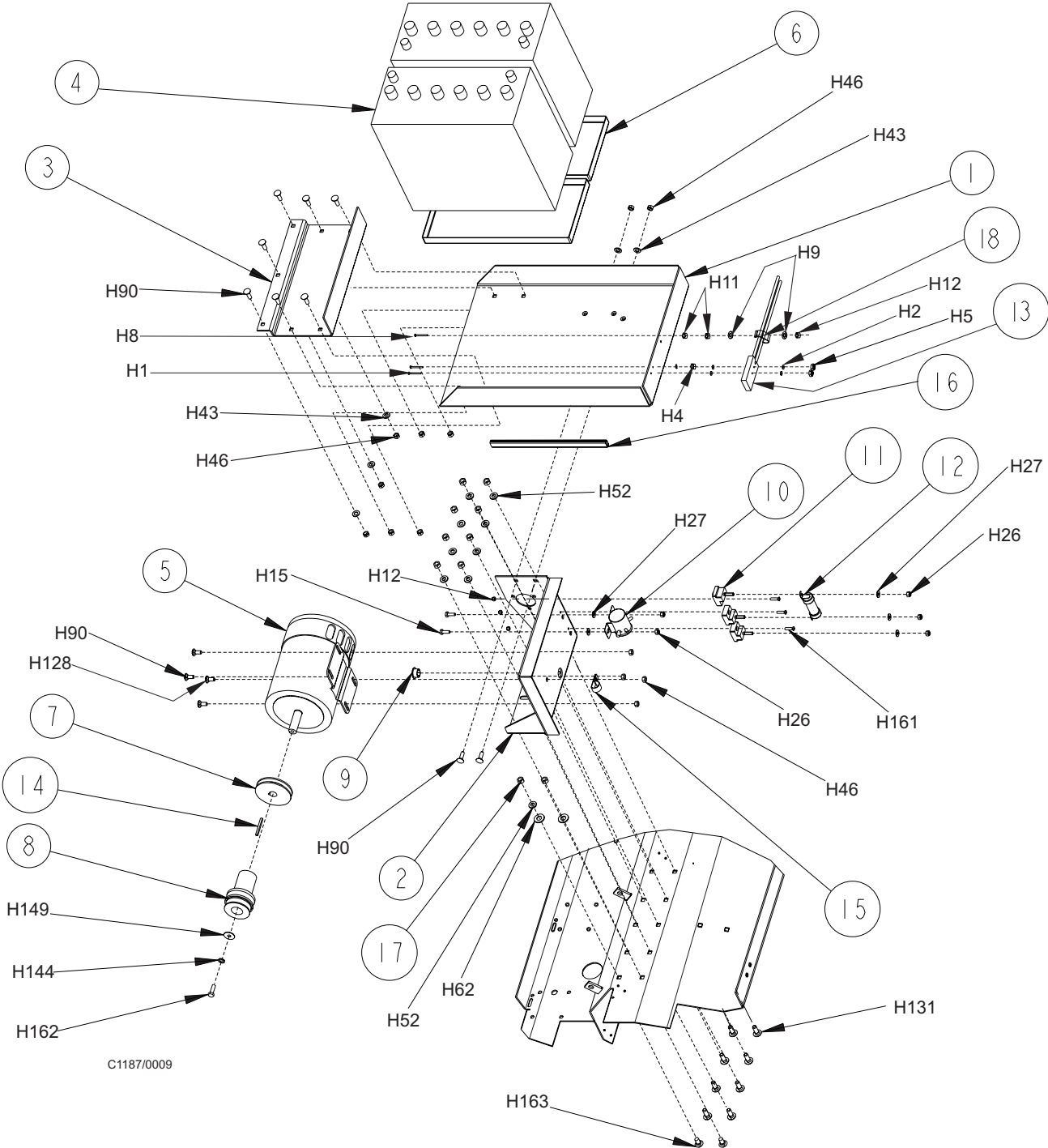
<u>KEY NO.</u>	<u>PART NUMBER</u>	<u>DESCRIPTION</u>	<u>QTY</u>
1	8-81-00175	Battery Support (Welded)	1
2	8-81-00174	Motor Support	1
3	8-75-01204	Battery Spacer	1
4	0875-085	Battery, 12 VDC	Ref.
5	0882-054	Motor, 1.3 H.P., 24 VDC	1
6	8-51-05014	Battery Pan	2
7	8-60-00176	Pulley, Impeller Drive	1
8	8-60-00175	Pulley, Broom Drive	1
9	8-09-01082	Grommet	1
10	8-74-00010	Solenoid, 24 VDC	1
11	8-06-05004	Isolation Post	3
12	8-28-05019	Fuse, 70A	1
13	0875-118	24 VDC Connector	Ref.
14	2-00-02259	Key, 3/16 x 2.000 Lg.	1
15	2-00-04564	Clamp	1
16	8-20-06043	Duct, Wire	1
17	2-95-04182	Nut, Fiber 3/8-16	10
18	2-00-04603	Clamp	1

### HARDWARE USED:

H1	2-00-05060	Screw, #6-32 x 1.250 RHM	1
H5	2-00-00645	Nut, Hex Fiber Insert #6-32	2
H10	2-00-00605	Nut, Hex MS #10 x .375 x .125	2
H12	2-00-01246	Nut, Hex Fiber Insert #10-24	3
H15	2-00-00221	Screw, 1/4-20 x .750 HHC	2
H26	2-00-00641	Nut, 1/4-20 Insert Fiber	5
H27	2-00-03702	Washer, .625 x .281 x .062	3
H43	2-00-00409	Flat Washer, .687 x .344 x .062	5
H46	2-00-00644	Nut, 5/16-18, Insert Fiber	13
H52	2-00-00402	Flat Washer, .750 x .390 x .094	1
H62	2-00-00405	Flat Washer, 1.063 x .531 x .094	2
H90	2-00-03569	Carriage Bolt, 5/16-18 x .750	4
H128	2-00-04681	Carriage Bolt, 5/16-18 x 1.250	1
H131	2-00-03855	Carriage Bolt, 3/8-16 x 1.000	8
H144	2-00-02303	Lock Washer, Int.	1
H149	2-00-01803	Washer, 1.063 x .031 x .063	1
H161	2-00-00153	Screw, #8-24 x .875 OHM	3
H162	2-00-03961	Screw, 5/16-24 x 1.000 HHC	1
H163	2-00-03570	Carriage Bolt, 3/8-16 x .750	2

C1187

BATTERY - EXPLODED VIEW



C1187/0009

## ENGINE - PARTS LIST

<u>KEY NO.</u>	<u>PART NUMBER</u>	<u>DESCRIPTION</u>	<u>QTY</u>
1	0877-057	Engine, 8 H.P.	1
2	8-51-05017	Battery Pan	1
3	0775-117	Battery, 12 Volt	1
4	8-60-00181	Pulley	1
5	8-58-05278	Plate, Engine Mounting	1
6	2-00-04589	Fitting, 3/8 NPT x 90°	1
7	8-56-05011	Nipple, 3/8 NPT x 3.000 Lg.	1
8	2-00-03646	Cap, 3/8 NPT	1
9	2-95-04182	Nut, Fiber	7
10	2-00-03761	Key, 1/4 x 2.000	1
11	8-16-00055	Choke Cable	1
12	2-95-04012	Flat Washer, 1.500 x .468 x .093	1
13	8-11-00042	Fuel Gauge	1
14	8-72-00011	Impeller Shroud	1
15	8-08-00840	Bracket, Engine Brace	1
16	8-08-00841	Bracket, Engine Brace	1
17	8-49-00026	Muffler, Deflector	1
18	2-00-03836	Screw	2
19	2-00-04652	Screw, 7/16-20 x 1.500 HHC	1

### HARDWARE USED:

H15	2-00-00221	Screw, 1/4-20 x .750 HHC	2
H26	2-00-00641	Nut, 1/4-20 Insert Fiber	3
H33	2-00-00224	Screw, 5/16-18 x .500 HHC	3
H35	2-00-02708	Screw, 5/16-18 x 1.000 HHM	1
H39	2-00-00218	Screw, 5/16-18 x 2.000 HHC	2
H43	2-00-00409	Flat Washer, .687 x .344 x .062	4
H46	2-00-00644	Nut, 5/16-18, Insert Fiber	5
H48	2-00-00233	Screw, 3/8-16 x 1.000 HHC	2
H49	2-00-00209	Screw, 3/8-16 x 1.250 HHC	1
H52	2-00-00402	Flat Washer, .750 x .390 x .094	2
H62	2-00-00405	Flat Washer, 1.063 x .531 x .094	2
H82	2-00-00505	Lock Washer, 3/8 Int. Tooth	2
H120	2-00-03829	Lock Washer, 3/8 Bolt	2
H129	2-00-02311	Lock Washer, 4.38 Spit	1
H131	2-00-03855	Carriage Bolt, 3/8-16 x 1.000	6
H132	2-00-00503	Lock Washer, 1/4 Ext.	1
H144	2-00-02303	Lock Washer, Int.	6
H151	2-00-00213	Screw, 5/16-18 x .625 HHC	1
H313	2-00-04652	Screw, HHC .438-20 x 1.50	1
H314	2-00-03836	Bolt Carriage, .31-18x 1.75	2

C1184/9610

### Service Parts

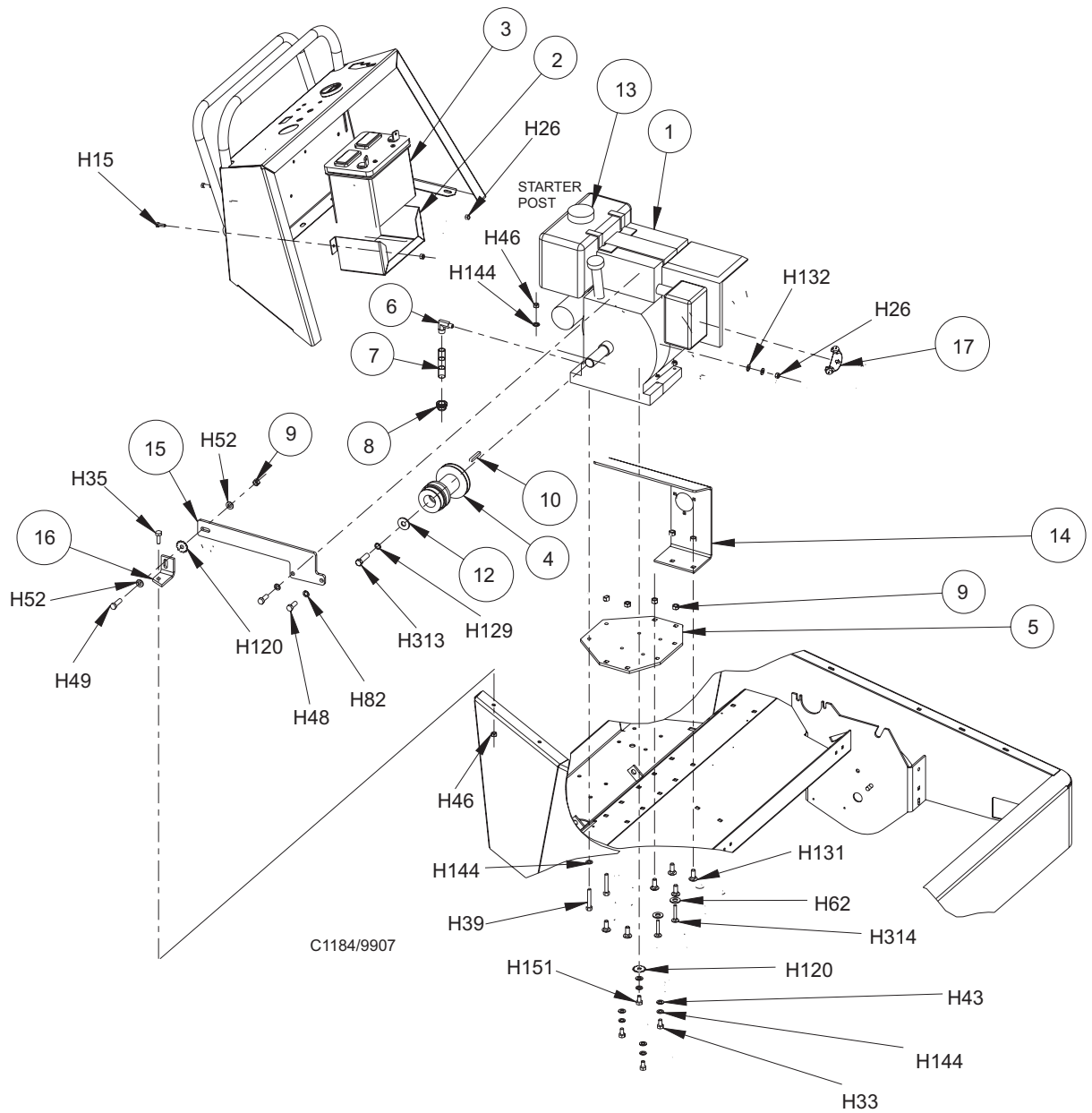
Carburator : 0869-087  
Fuel Pump: 0869-086

Regulator: 2-60-02314  
Air Filter: 8-24-04143

Fuel Filter: 8-24-04144  
Starter Assembly: 2-60-02313



# ENGINE - EXPLODED VIEW



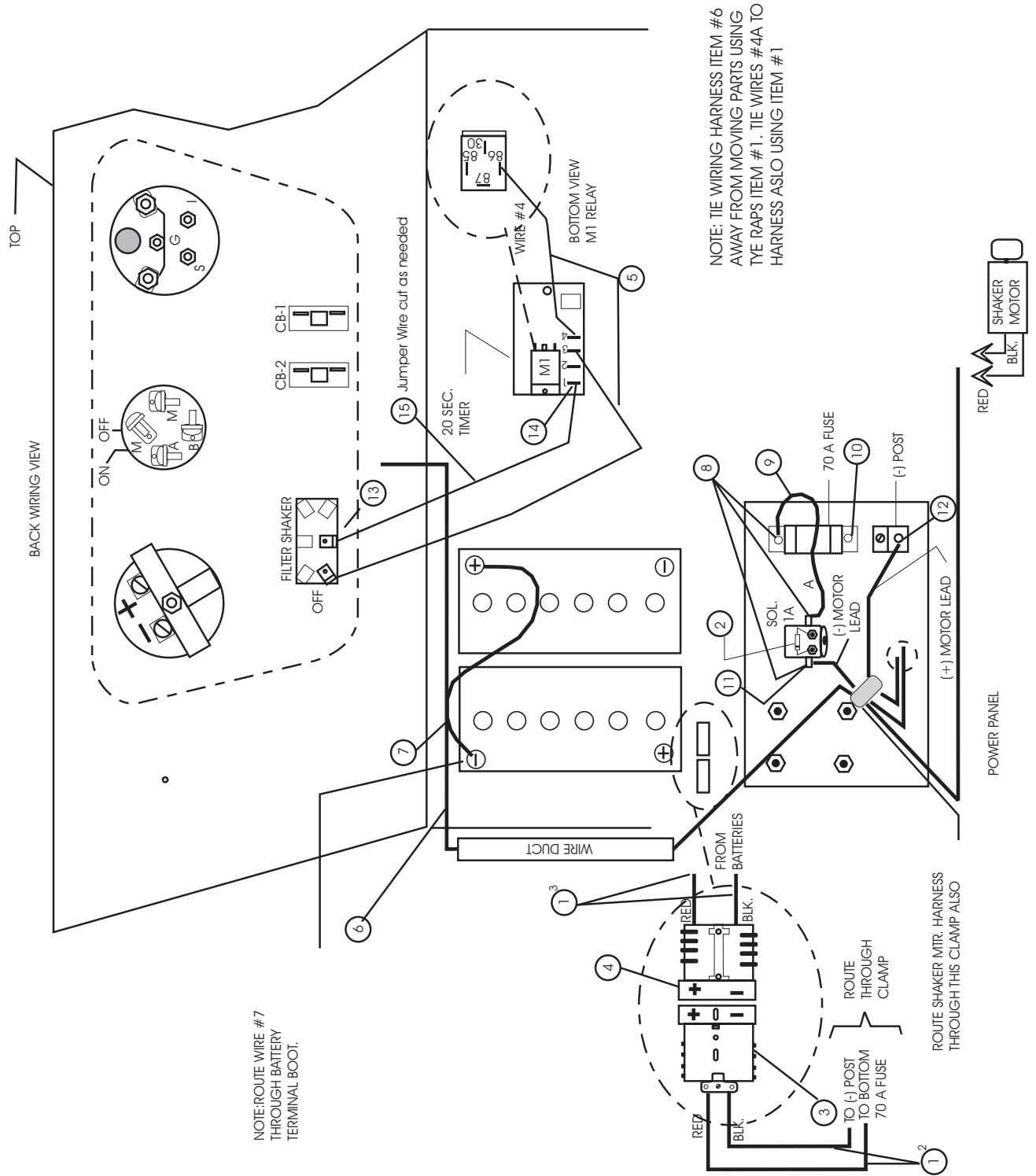
## ELECTRICAL ASSEMBLY (BATTERY) - PARTS LIST

---

<u>KEY NO.</u>	<u>PART NUMBER</u>	<u>DESCRIPTION</u>	<u>QTY</u>
1	2-00-04345	Tie Raps	7
2	0775-159	Diode Assembly	1
3	0875-118	Connector Assembly, 24 VDC	1
4	0875-119	Connector Assembly, 24 VDC	1
5	8-90-07441	Wire, Jumper #4A	2
6	0895-113	Machine Harness	1
7	7-90-07286	Wire, Jumper	1
8	2-00-04203	Boot, Black	3
9	8-90-07440	Wire, Solenoid to 70A Fuse	1
10	2-00-04952	Boot, Red	1
11	2-00-04869	Terminal, .31 Ring	1
12	2-00-04868	Terminal, .25 Ring	1
13	2-00-03418	Terminal, .25 Female Spade	1
14	2-00-04741	Terminal, .25Spade Piggyback	1
15	2-00-06507	Wire, 16-gauge, Red	2 ft.

80359-3/2-05

# ELECTRICAL ASSEMBLY (BATTERY) - EXPLODED VIEW



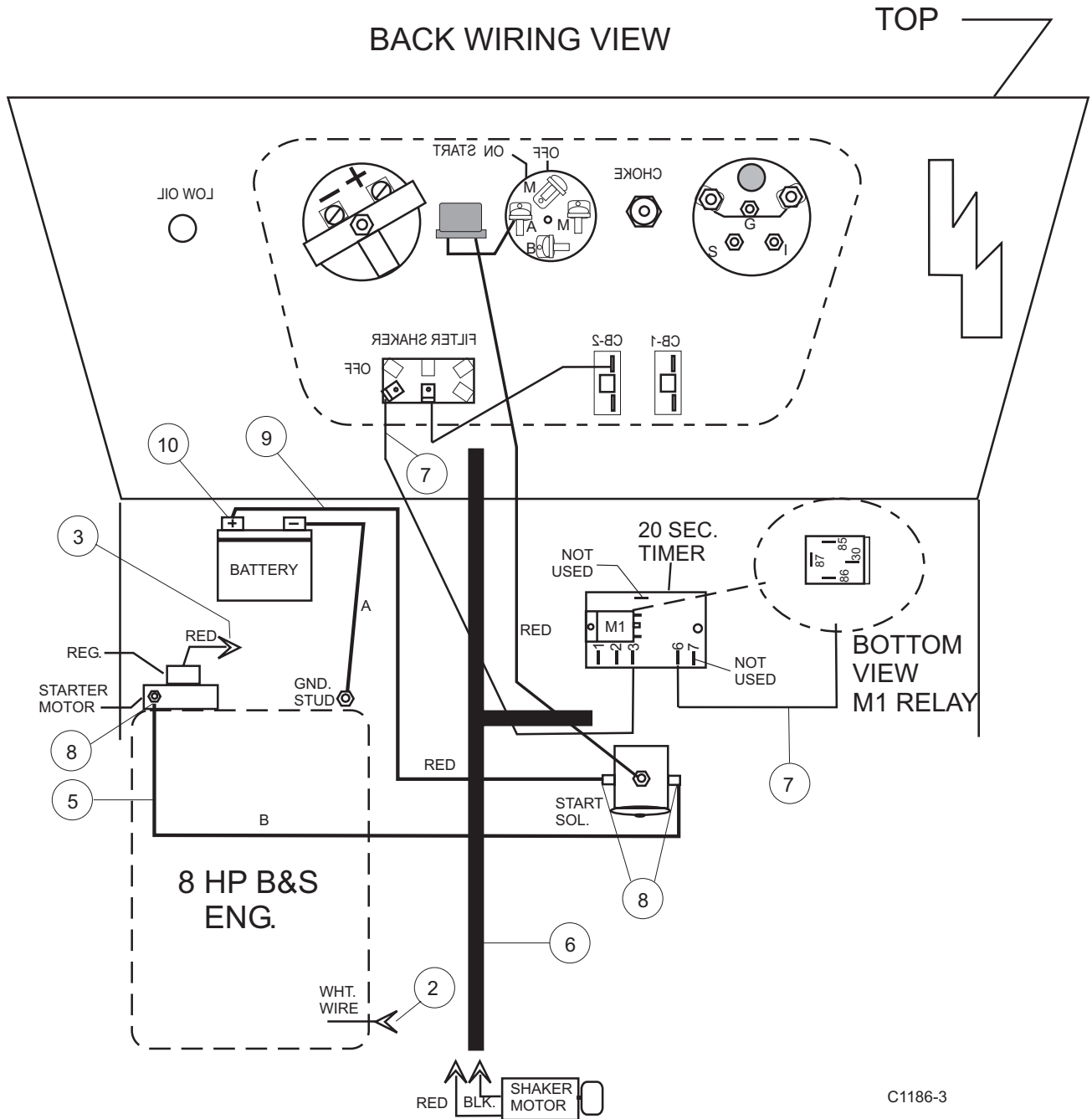
## ELECTRICAL ASSEMBLY (GAS) - PARTS LIST

---

<u>KEY NO.</u>	<u>PART NUMBER</u>	<u>DESCRIPTION</u>	<u>QTY</u>
1	2-00-04345	Tie Raps	7
2	2-00-04584	Terminal, .156 Female Bullet	1
3	2-00-04578	Terminal, .156 Male Bullet	1
4	8-90-07435	Wire, Battery (-)	1
5	8-90-07436	Wire, Starter	1
6	0895-112	Machine Harness	1
7	8-90-07441	Wire, Jumper #4A	2
8	2-00-04203	Boot, Black	3
9	8-90-07352	Wire, Battery (+) to Start Solenoid	1
10	2-00-04952	Boot, Red	1

C1186-3/3-05

# ELECTRICAL ASSEMBLY (GAS) - EXPLODED VIEW



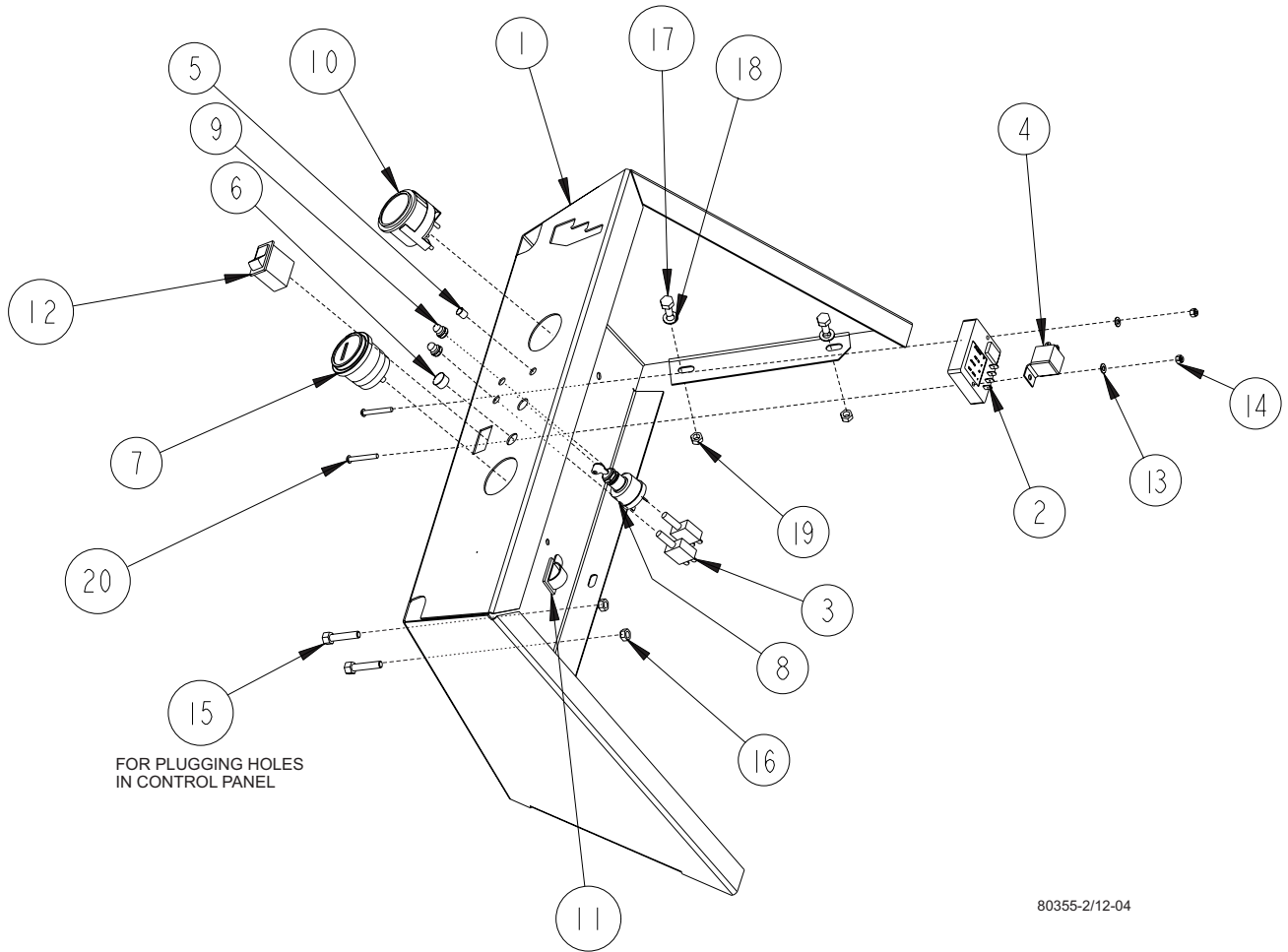
## CONTROL PANEL (BATTERY) - PARTS LIST

---

<u>KEY NO.</u>	<u>PART NUMBER</u>	<u>DESCRIPTION</u>	<u>QTY</u>
1	8-33-05126	Control Housing	1
2	8-64-05012	Module, Shaker Timer	1
3	8-64-00007	Circuit Breaker	2
4	8-64-00018	Relay, Shaker Motor	1
5	2-00-04757	Plug Button, .375	1
6	2-00-05296	Plug Button, .620	1
7	8-48-05023	Hour Meter	1
8	8-82-00057	Key Switch	1
9	8-11-00044	Boot (CB)	2
10	8-48-05030	Battery Condition Meter	1
11	7-13-07069	Clamp, Adjustable	1
12	8-82-00059	Switch, Rocker	1
13	2-00-00426	Flat Washer, .500 x .219 x .063	2
14	2-00-01246	Nut, Hex Fiber Insert #10-24	2
15	2-00-00219	Screw, 1/4-20 x 1/2 HHC	2
16	2-00-00641	Nut, 1/4-20 Insert Fiber	4
17	2-00-00208	Screw, 5/16-18 x .750 HHC	4
18	2-00-00409	Flat Washer, .687 x .344 x .062	4
19	2-00-00644	Nut, 5/16-18, Insert Fiber	4
20	2-00-00089	Screw, 10-24 x 1.500 RHM	2

80355-2/12-04

# CONTROL PANEL (BATTERY) - EXPLODED VIEW



## CONTROL PANEL (GAS) - PARTS LIST

---

<u>KEY NO.</u>	<u>PART NUMBER</u>	<u>DESCRIPTION</u>	<u>QTY</u>
1	8-33-05126	Control Housing	1
2	8-64-00011	Module, Shaker Timer	1
3	8-64-00007	Circuit Breaker	2
4	8-82-00060	Switch, Starter	1
5	7-74-00002	Solenoid (12 Volt)	1
6	8-64-00012	Relay, Shaker Motor	1
7	8-48-05023	Hour Meter	1
8	8-82-00057	Key Switch	1
9	8-11-00044	Boot (CB)	2
10	8-48-00016	Voltage Meter	1
11	8-82-00059	Switch, Rocker	1

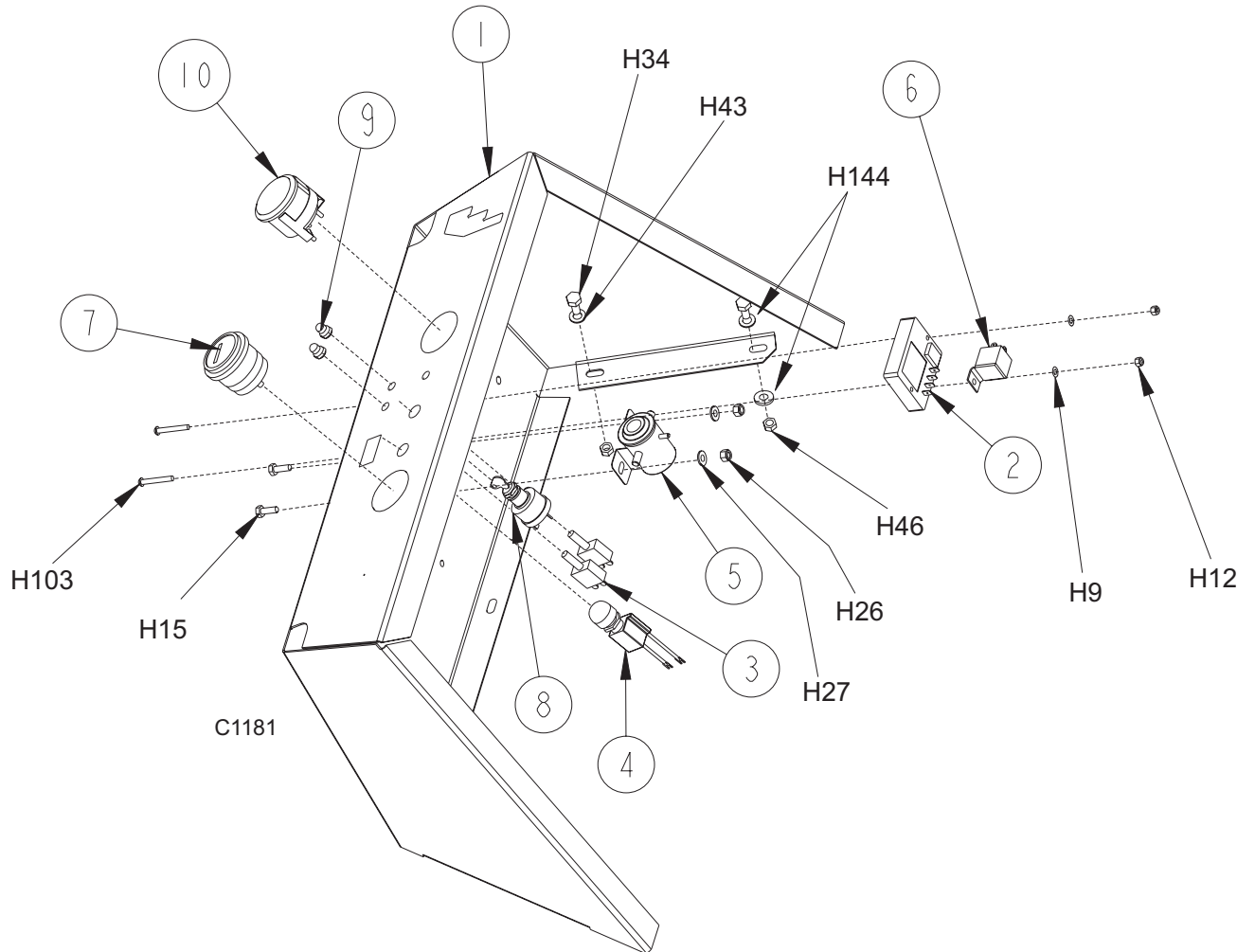
### HARDWARE USED:

H9	2-00-00426	Flat Washer, .500 x .219 x .063	2
H12	2-00-01246	Nut, Hex Fiber Insert #10-24	2
H15	2-00-00221	Screw, 1/4-20 x .750 HHC	2
H26	2-00-00641	Nut, 1/4-20 Insert Fiber	2
H27	2-00-03702	Flat Washer, .625 x .281 x .063	2
H34	2-00-00208	Screw, 5/16-18 x .750 HHC	4
H43	2-00-00409	Flat Washer, .687 x .344 x .062	4
H46	2-00-00644	Nut, 5/16-18, Insert Fiber	4
H141	2-00-00501	Lock Washer, Int.	2
H144	2-00-02303	Lock Washer, Int.	2
H187	2-00-00071	Screw, #10-24 x 1.25 RHM	2

C1181



# CONTROL PANEL (GAS) - EXPLODED VIEW



## DECALS - PARTS LIST

<u>KEY NO.</u>	<u>PART NUMBER</u>	<u>DESCRIPTION</u>	<u>QTY</u>
1	8-18-00509	Instrument Panel	1
2	8-18-00488	Main Broom Pressure	1
3	8-18-00489	Vacuum Bypass	1
4*<	REF	Battery Charging Warning (Battery models)	1
5~	8-18-00487	Blank Square - Option Covers	1
6*<	REF	Do Not Remove Hopper w/o Help	1
7*<	REF	Do Not Use with Flammables	1
8*<	REF	Electrical Hazard (Battery models)	1
9*<	REF	Exhaust Warning (Gas, LP)	1
10*<	REF	Fire Hazard-Gas Could Explode (Gas)	1
11*	REF	Gasoline Only (Gas)	1
12*<	REF	Patent/Patents Pending	1
13*	REF	Surface Hot - Stay Clear (Gas, LP)	1
14*<	REF	Turn Off - Lock Wheel	1
15*	REF	Pinch Point - Stay Clear	3
16*	REF	Moving Belts - Stay Clear	1
17	8-18-00530	91WS	1
	8-18-00559	91WS (Export)	1
18	8-18-00549	A-L Technology (Export)	1
19	8-18-00525	American-Lincoln (Medium)	1
	8-18-00528	Alto (Export)	1
20	8-18-00524	American-Lincoln (Small)	2
	8-18-00549	A-L Technology (Export)	1
21	REF	Serial Plate	1
22	2-00-04115	Rivets	2

**\*NO-TEXT WARNING DECALS & ENGLISH TEXT DECALS CONTAINED IN KIT: 0760-863**

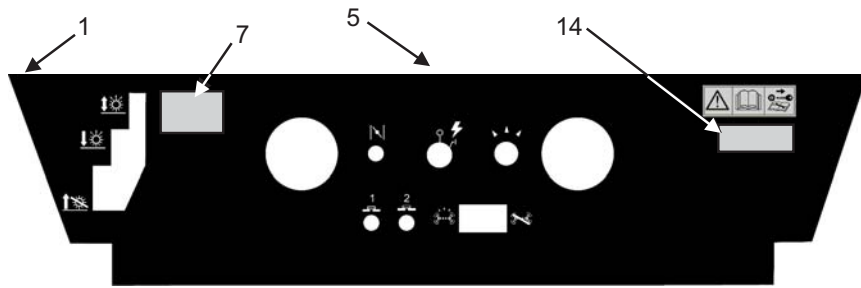
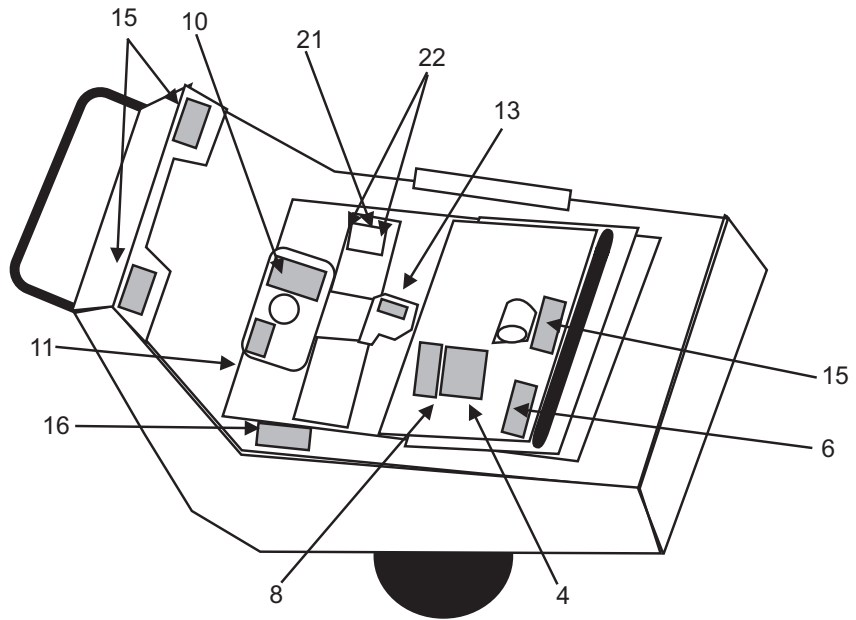
<ALL WARNING/SAFETY DECALS with TEXT SOLD IN A KIT BY LANGUAGE:

DANISH	0760-850	ITALIAN	0760-851
DUTCH	0760-849	FRENCH	0760-847
NORWEGIAN	0760-852	SPANISH	0760-846
SWEDISH	0760-853	PORTUGUESE	0760-854
GERMAN	0760-848		

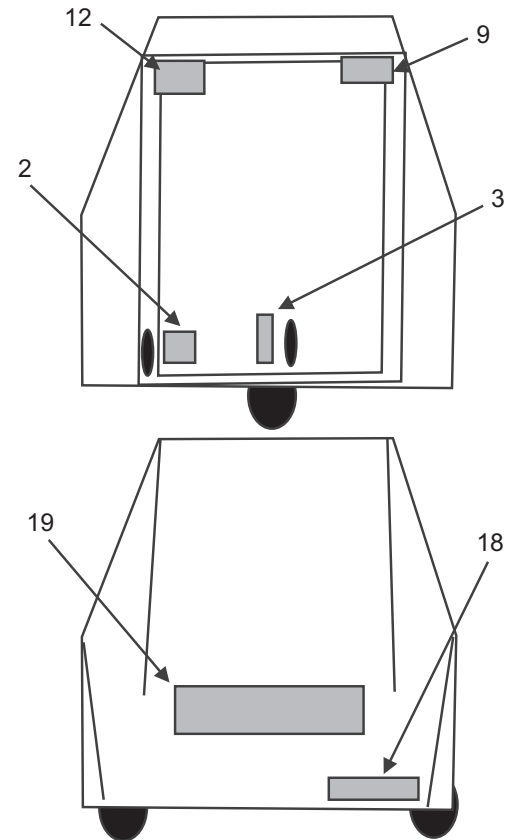
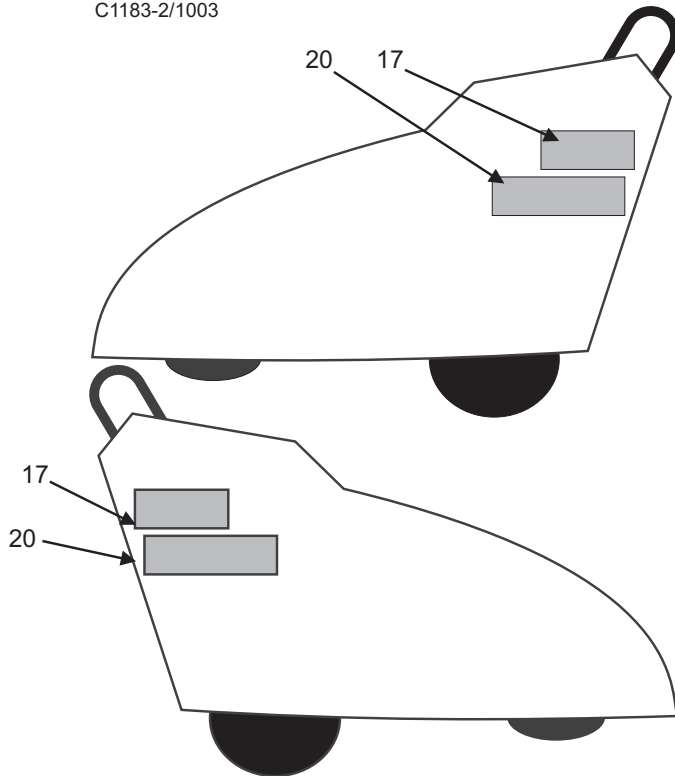
~Can be ordered separately, but is also included in 0760-863

C1183-2/8-04

DECALS - EXPLODED VIEW



C1183-2/1003



## NOTES

---

---

## TABLE OF CONTENTS - CHAPTER 3

Left Hand Side Broom Option .....	3-2
LP Option .....	3-4
Foam-Filled Tire Option .....	3-6
Wet Sweep Bypass Option .....	3-7
Spare Parts Kits .....	3-8
Main Broom Options .....	3-9
Schematic & Connection Diagram (Battery) .....	3-10
Schematic & Connection Diagram (Gas) .....	3-11
Index .....	3-12

## LEFT HAND SIDE BROOM OPTION - PARTS LIST

### OPTION 0880-625

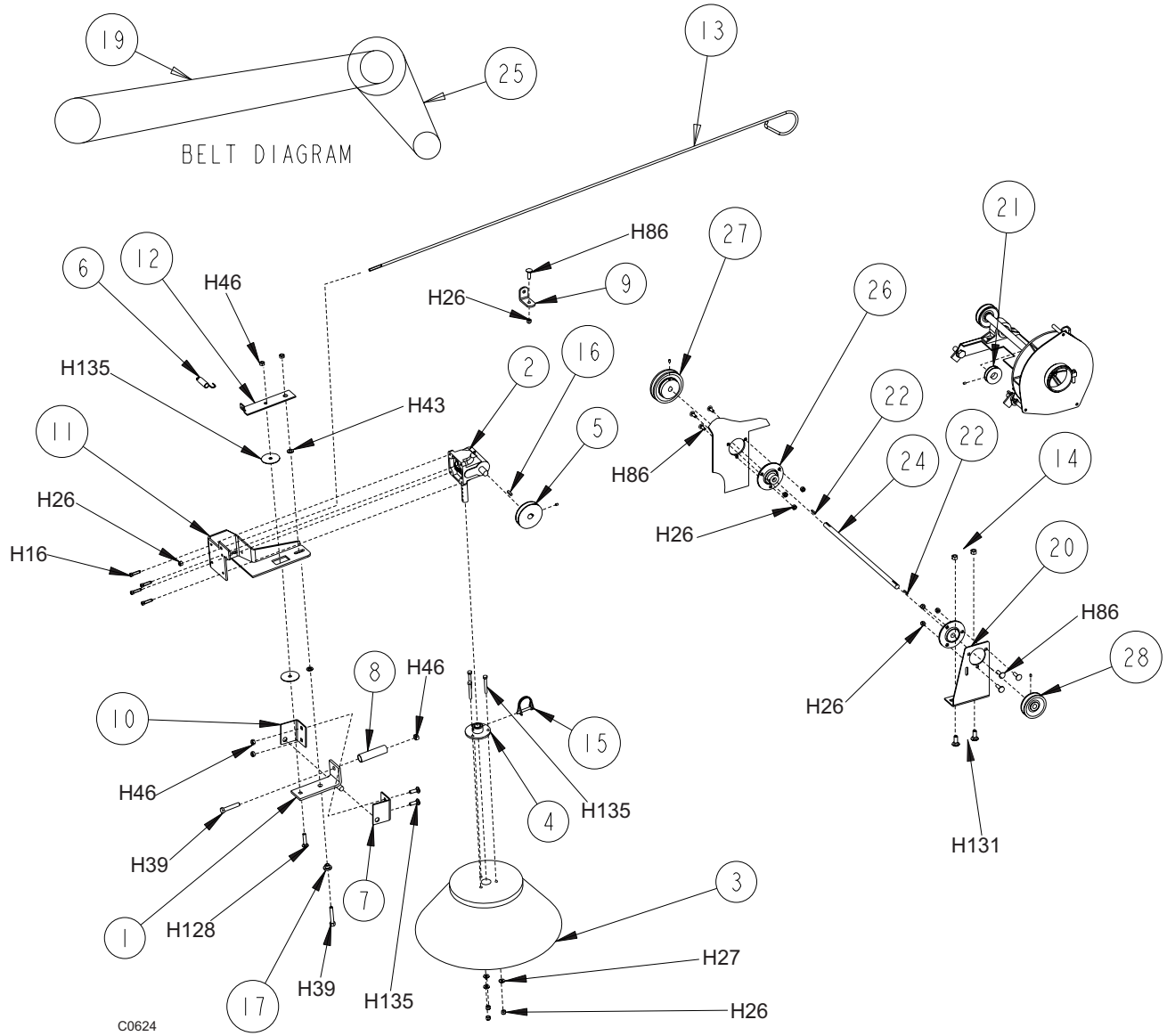
<u>KEY NO.</u>	<u>PART NUMBER</u>	<u>DESCRIPTION</u>	<u>QTY</u>
1	8-03-04313	Side Broom Arm (Welded)	1
2	0885-087	Gear Box Assembly	1
3	8-08-03215	Side Broom	1
4	8-25-06006	Flange	1
5	8-60-00184	Pulley, Gear Box	1
6	7-76-00051	Spring	1
7	8-08-00806	Bracket, Side Broom (Outer)	1
8	7-76-00003	Spring	1
9	8-08-00809	Retainer, Side Broom Link	1
10	8-08-00807	Bracket, Side Broom (Inner)	1
11	8-81-00177	Support, Gear Box Mounting	1
12	8-58-05277	Plate, Side Broom Arm	1
13	8-66-00176	Rod, Side Broom Link	1
14	2-95-04182	Nut, Fiber	2
15	8-55-08126	Pin, Safety Snap	1
16	2-00-02240	Key, 3/16 Square, x .750 Lg.	1
17	7-09-01057	Bushing	1
18			
19	2-00-05289	Belt	1
20	8-08-00811	Bracket (Gas & LP Only)	1
21	8-60-00180	Pulley	1
22	2-00-02227	Key, 1/8 Square x .750 Lg.	2
23			
24	8-70-05297	Shaft	1
25	2-00-05200	Belt	1
26	8-06-01070	Bearing	2
27	8-60-00179	Pulley	1
28	8-60-00185	Pulley	1

### HARDWARE USED:

H16	2-00-02051	Screw, 1/4-20 x .750 HSHC	4
H26	2-00-00641	Nut, 1/4-20 Insert Fiber	12
H27	2-00-03702	Washer, .625 x .281 x .063	3
H36	2-00-00196	Carriage Bolt, 5/16-18 x 1.000	2
H39	2-00-00218	Screw, 5/16-18 x 2.000 HHC	2
H43	2-00-00409	Flat Washer, .687 x .344 x .062	2
H46	2-00-00644	Nut, 5/16-18, Insert Fiber	5
H86	2-00-03575	Carriage Bolt, 1/4-20 x .750	7
H128	2-00-04681	Carriage Bolt, 5/16-18 x 1.250	1
H131	2-00-03855	Carriage Bolt, 3/8-16 x 1.000	2
H135	2-00-05298	Flat Washer, .344 x 2.000 x .062	5

C0624

# LEFT HAND SIDE BROOM OPTION - EXPLODED VIEW



## LP OPTION - PARTS LIST

---

<u>KEY NO.</u>	<u>PART NUMBER</u>	<u>DESCRIPTION</u>	<u>QTY</u>
1	2-60-02296	Hydrostatic Relief Valve	1
2	*	Rubber Cap, 1/2" I.D.	1
3	*	Fitting, 1/4 NPT x 3/8 SAE 90°	1
4	*	Fitting, 1/4 NPT FM x 3/8 SAE STR	1
5	*	Hose, Liquid Gas, Aux.	1
6	*	Hose, Dry Gas, 22.00	1
7	2-60-02297	Vacuum Shut Off	1
8	2-60-02298	Regulator, LP Gas	1
9			
10			
11	*	Fitting, 1/8 NPT x 7/32 x 90°	1
12	*	Fitting, 1/4 NPT x 1/2 x 90°	1
13	*	Clamp, 7/32 - 5/8	2
14	*	Load Block	1
15	*	Bulkhead Assembly	1
16	*	Fitting, 1/4 NPT x 3/8 SAE STR	1
17			
18	*	Fuel Tube	1
19	*	Hose, 7/32, 22.00	1
20	*	Coupling	1
21	2-60-02299	Hose, Main Liquid Gas, 9.00	1
22	0869-088	Carburetor, LP	1
23			
24			
25			
26	8-08-00585	Bracket, LP Relief Valve	1
27	2-00-00498	Washer, Lock - External - 1/4 I.D.	2
28	2-00-03546	Nut, 1/4-20 Hex	2

### HARDWARE USED:

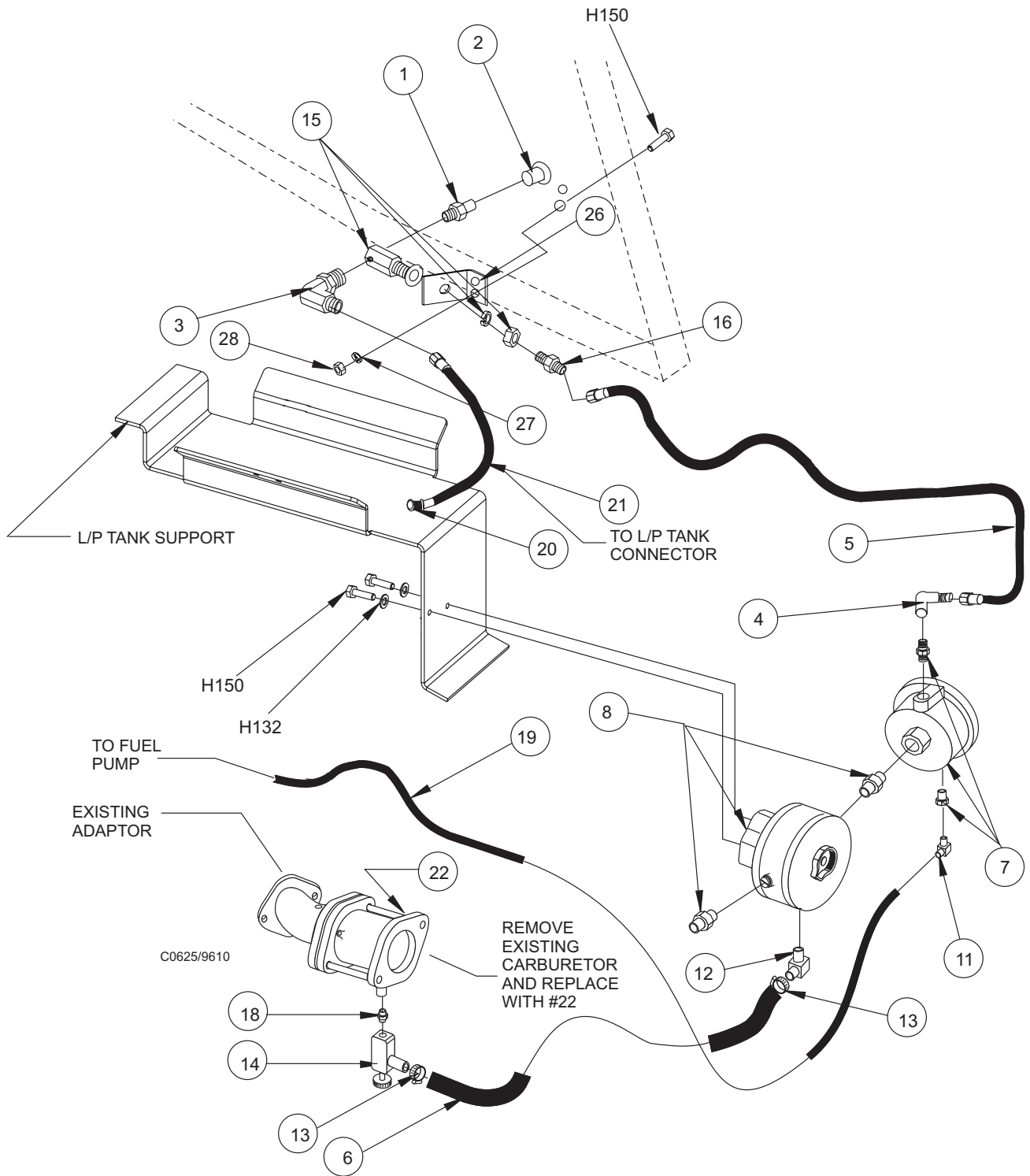
H15	2-00-00221	Screw, 1/4-20 x .750 HHC	4
H132	2-00-00503	Washer, Lock 1/4 I.D. Internal	2

\* Items contained in part # 8-11-04025 LP Kit.

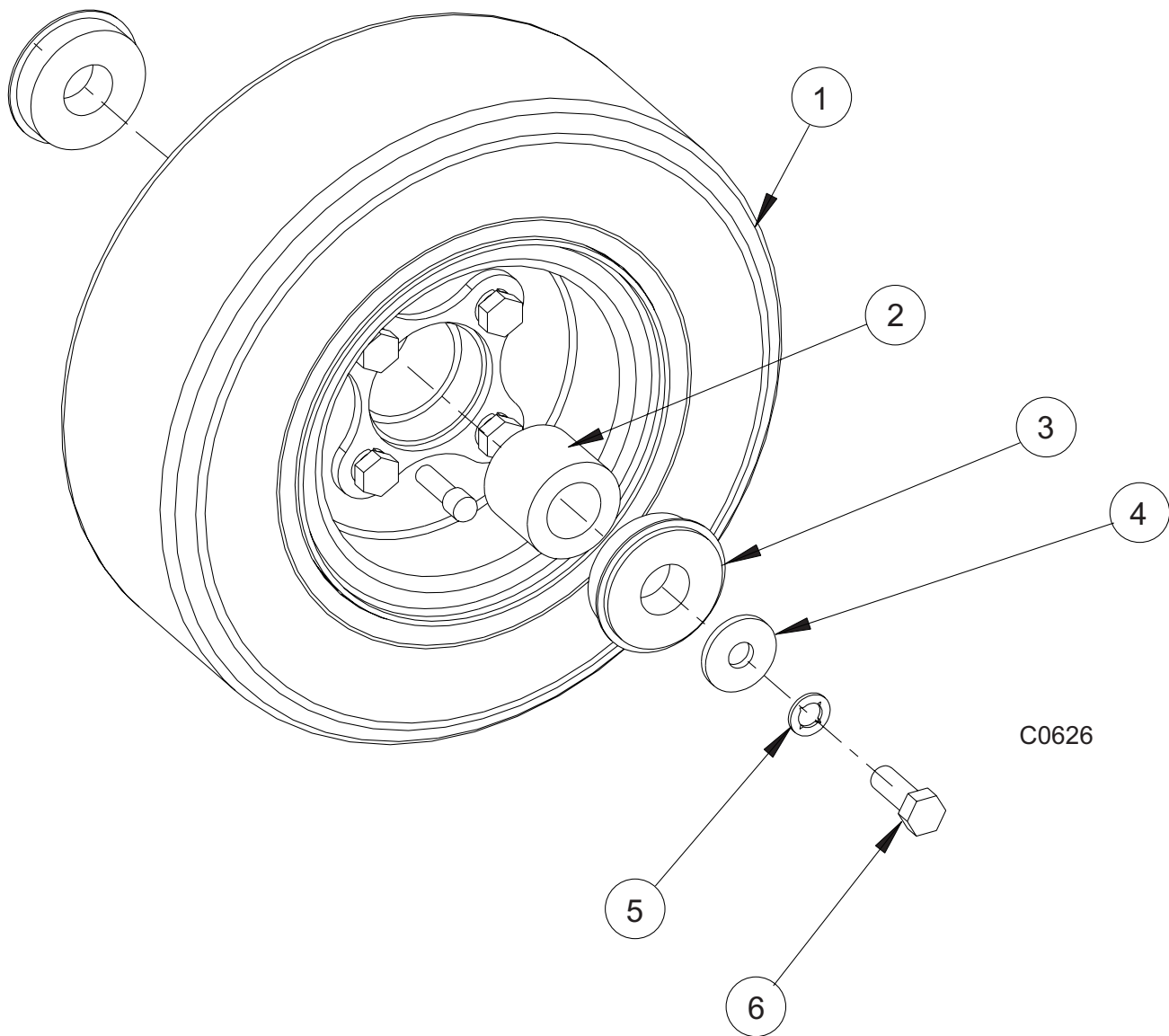
C0625/9610



# LP OPTION - EXPLODED VIEW



# FOAM FILLED TIRE OPTION



## OPTION 0880-626

<u>KEY NO.</u>	<u>PART NUMBER</u>	<u>DESCRIPTION</u>	<u>QTY</u>
1	0860-581	Wheel Assembly, Foam Filled	2
2	8-75-01202	Spacer, Wheel	REF
3	2-00-04636	Bearing	2
4	2-00-03266	Washer	2
5	2-00-00505	Lock Washer, 3/8 Int. Tooth	4
6	2-00-00233	Screw, 3/8-16 x 1.00 HHC	4

Foam-filled Tire Assy. (hub not included): 8-89-08075

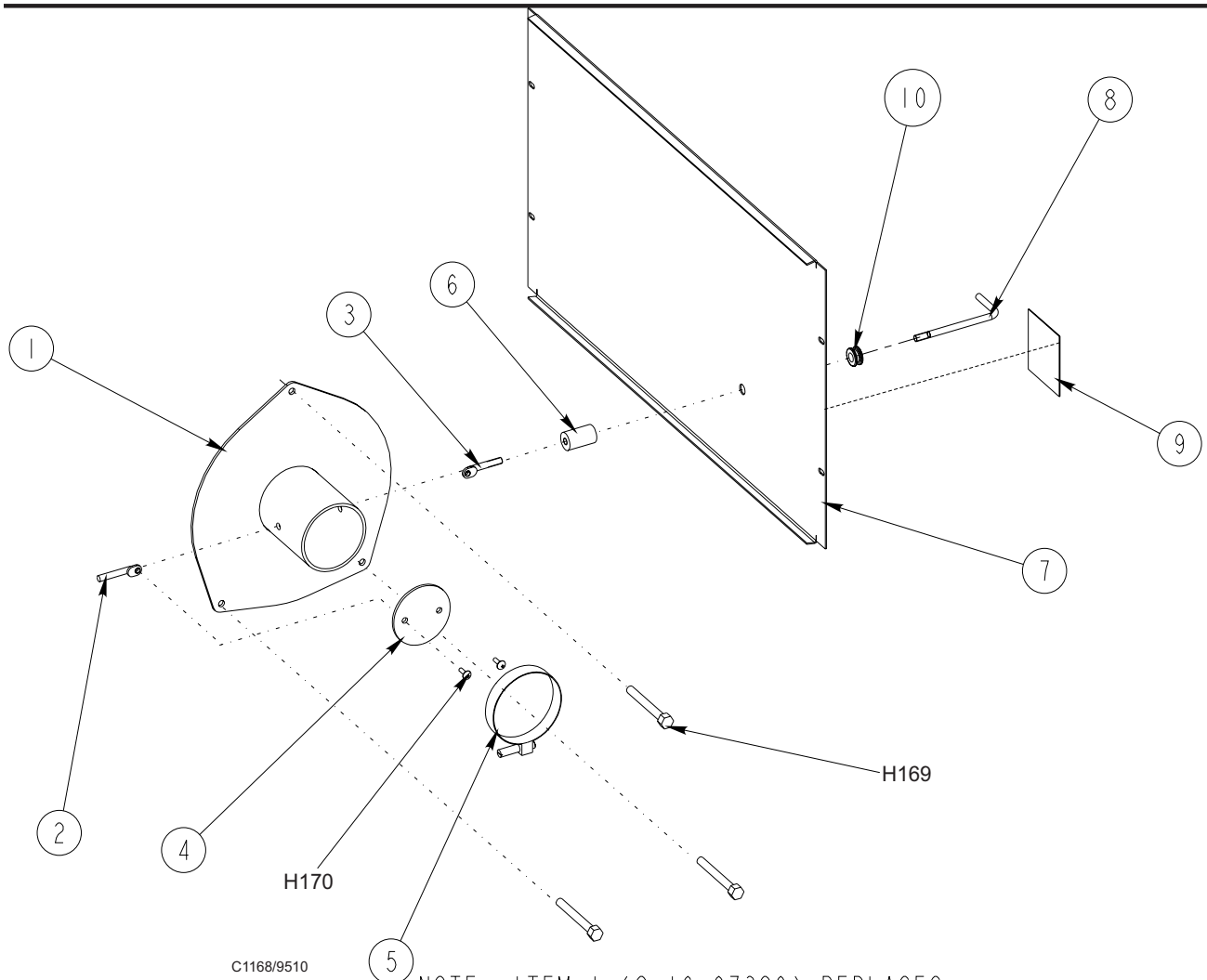
Pneumatic Tire Assy. (hub not included): 8-89-08073

Wheel Hub: 8-33-09092

Wheel Sprocket: 8-76-05069

C0626/0903

**WET SWEEP BYPASS OPTION**



NOTE: ITEM 1 (8-16-07380) REPLACES PART NO. 8-16-07360

<u>KEY NO.</u>	<u>PART NUMBER</u>	<u>DESCRIPTION</u>	<u>QTY</u>
1	8-16-07380	Cover, Impeller (Welded)	1
2	8-57-05026	Pivot, Valve	1
3	8-57-05027	Pivot, Valve (Threaded)	1
4	8-58-05790	Plate, Valve	1
5	7-13-07104	Clamp, Hose	1
6	8-16-00060	Control, Damper	1
7	8-16-07358	Cover, Rear	1
8	8-16-00061	Control, Damper Handle	1
9	8-18-00429	Decal	1
10	2-00-00491	Grommet	1

**HARDWARE USED:**

H169	2-00-02637	Screw, 1/4-20 x 2.750 HHC	3
H170	2-00-03061	Screw, #10-24 x .500 THM	2

C1168/9510

**SPARE PARTS KITS****0880-640 (BATTERY MACHINE)**

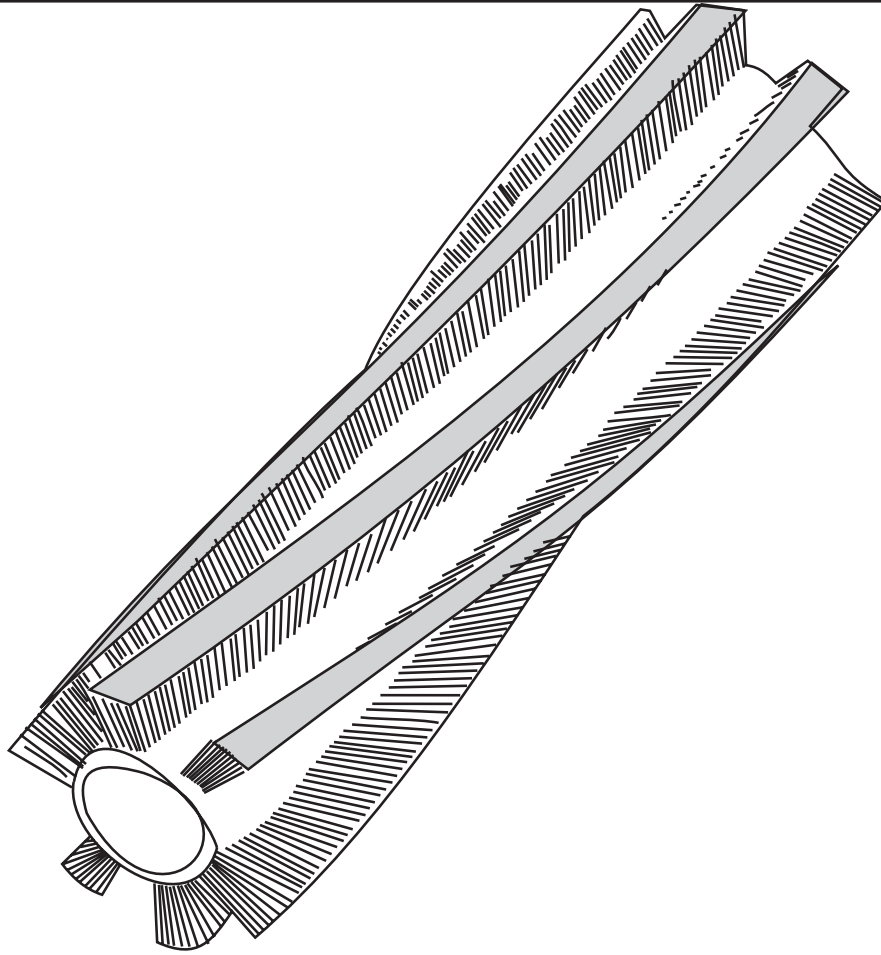
<u>KEY NO.</u>	<u>PART NUMBER</u>	<u>DESCRIPTION</u>	<u>QTY.</u>
1	8-25-08205	Flap, Door	1
2	8-25-08204	Flap, Rear Outside	1
3	8-25-08206	Flap, R.H. Side	1
4	8-25-08207	Flap, L.H. Wheel Well	1
5	8-25-08208	Flap, Hopper	1
6	8-68-05085	Seal, Broom Door	1
7	8-68-05084	Seal, Broom Door	1
8	8-68-05073	Seal, Hopper	1
9	8-29-00231	Seal, Hopper	2
10	8-24-04074-1	Filter, Hopper	1
11	2-00-05284	Belt, Forward (3/4)	1
12	2-00-05285	Belt, Reverse (1/2)	1
13	2-00-05314	V-Belt, Main Broom Drive	1
14	2-00-01036	V-Belt, Main Broom Drive	1
15	2-00-05200	V-Belt, Impellor Drive	1
16	2-00-05286	V-Belt, Side Broom Drive	1

**0880-641 (GAS/LP MACHINES)**

<u>KEY NO.</u>	<u>PART NUMBER</u>	<u>DESCRIPTION</u>	<u>QTY.</u>
1	8-25-08205	Flap, Door	1
2	8-25-08204	Flap, Rear Outside	1
3	8-25-08206	Flap, R.H. Side	1
4	8-25-08207	Flap, L.H. Wheel Well	1
5	8-25-08208	Flap, Hopper	1
6	8-68-05085	Seal, Broom Door	1
7	8-68-05084	Seal, Broom Door	1
8	8-68-05073	Seal, Hopper	1
9	8-29-00231	Seal, Hopper	2
10	8-24-04074-1	Filter, Hopper	1
11	2-00-05284	Belt, Forward (3/4)	1
12	2-00-05285	Belt, Reverse (1/2)	1
13	2-00-05314	V-Belt, Main Broom Drive	1
14	2-00-01036	V-Belt, Main Broom Drive	1
15	2-00-05200	V-Belt, Impellor Drive	1
16	2-00-05286	V-Belt, Side Broom Drive	1
17	8-24-04143	Air Cleaner Element	1
18	8-24-04144	Fuel Filter	1

## MAIN BROOM OPTIONS

---



<u>KEY NO.</u>	<u>PART NUMBER</u>	<u>DESCRIPTION</u>	<u>QTY.</u>
1	8-08-03222	Nylon	1
2	8-08-03216	Proex (Standard)	1
3	8-08-03230	Proex & Wire	1
4	8-08-03223	High Density Nylon	1

---

**SCHEMATIC & CONNECTION DRAWINGS - BATTERY - PGS 3-10 & 10A**

---

**SCHEMATIC & CONNECTION DRAWING - GAS - C1185**

# INDEX

---

BATTERY .....	1-27
BATTERY .....	2-22
BATTERY CHARGING INSTRUCTIONS .....	1-17
BATTERY CONDITION METER (BATTERY ONLY) .....	1-9
BATTERY MACHINE OPERATION .....	1-14
BATTERY POWERED MACHINES .....	1-6
BATTERY POWERED SWEEPER, TO START THE .....	1-15
BATTERY VOLT METER (GAS/LP ONLY) .....	1-10
BOLT IDENTIFICATION .....	1-37
CHANGING LP TANKS .....	1-34
CHOKE CONTROL (GAS/LP ONLY) .....	1-10
CIRCUIT BREAKERS .....	1-13
CONTROL PANEL .....	2-30
COVERS .....	2-4
DECALS .....	2-36
DECIMAL METRIC & CONVERSION TABLE .....	1-36
DRIVE SYSTEM .....	1-29
DUST CONTROL .....	1-26
ELECTRICAL ASSEMBLY (BATTERY) .....	2-28
ELECTRICAL ASSEMBLY (GAS) .....	2-30
ENGINE .....	2-24
ENGINE AIR INTAKE .....	1-28
ENGINE OIL LEVEL, TO CHECK THE .....	1-29
ENGINE WITH THE REWIND STARTER, TO START THE .....	1-16
FILTER BAFFLE, TO CLEAN THE .....	1-26
FILTER MANIFOLD LATCH .....	1-12
FILTER SHAKER .....	2-18
FILTER SHAKER SWITCH .....	1-10
FLAPS .....	1-27
FOAM-FILLED TIRE OPTION .....	3-8
FORWARD/REVERSE CONTROL HANDLE .....	1-12
FRAME .....	2-2
FUEL FILTER .....	1-28
FUEL TANK, TO FILL THE GASOLINE POWERED MACHINE .....	1-18
GAS POWERED SWEEPER, TO START THE .....	1-15
GAS/LP MACHINE OPERATION .....	1-14
GAS/LP POWERED MACHINES .....	1-5
GASOLINE POWERED MACHINE FUELING INSTRUCTIONS .....	1-18
HARDWARE LEGEND .....	1-39
HOPPER .....	1-27
HOPPER .....	2-16
HOPPER DUMP HANDLE .....	1-12
HOPPER SEALS, TO CHECK THE .....	1-27
HOPPER, TO CLEAN THE .....	1-27



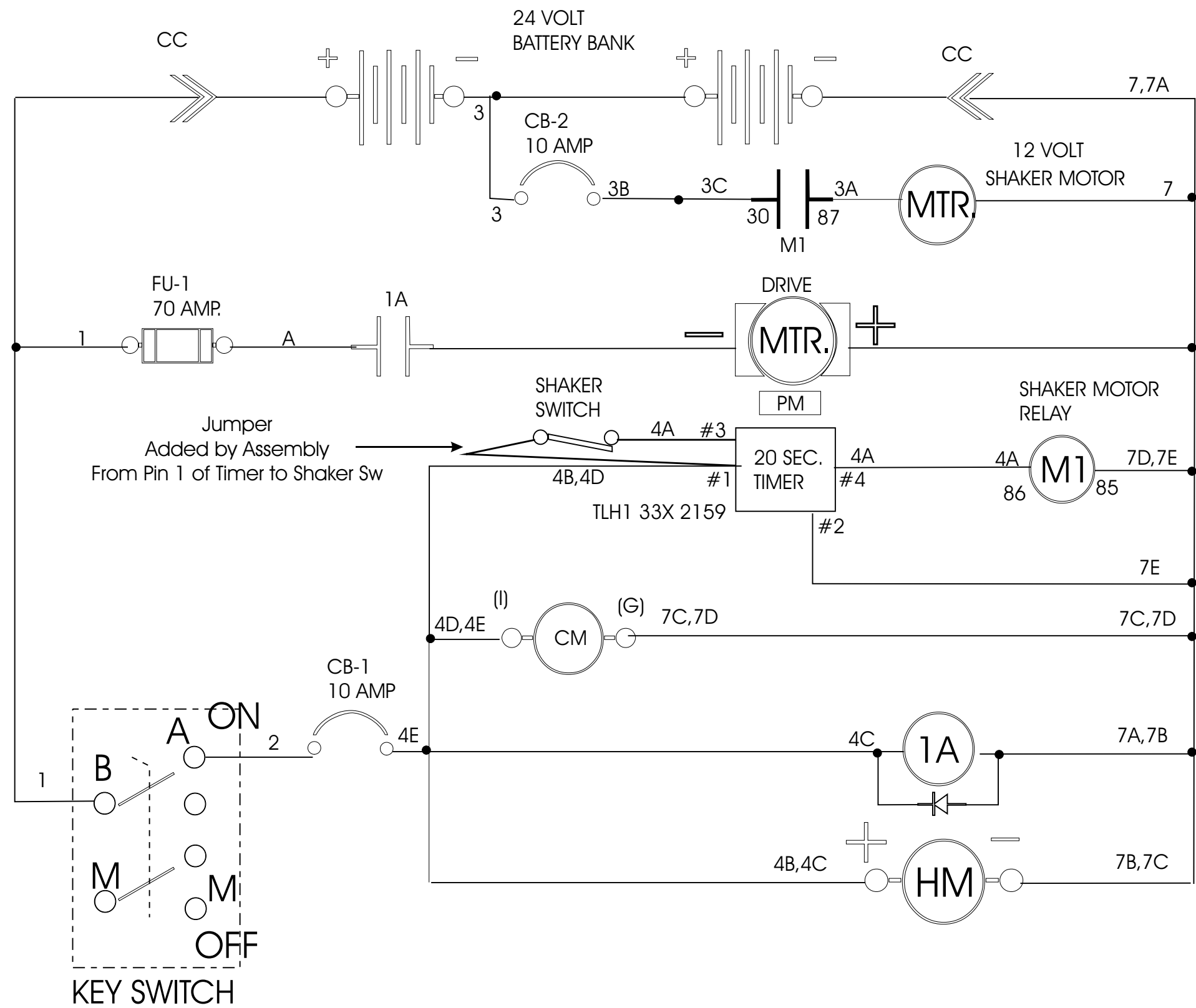
---

HOPPER, TO EMPTY .....	1-16
HOUR METER .....	1-9
HOW TO SWEEP .....	1-22
IMPELLER .....	2-20
INDEX .....	3-14
KEY SWITCH .....	1-9
LEFT HAND SIDE BROOM OPTION .....	3-2
LEGENDS - SCREW/SETSCREWS .....	1-38
LOW OIL LIGHT (GAS/LP ONLY) .....	1-10
LOW OIL SHUTDOWN OPTION .....	2-26
LOWER WHEEL DRIVE .....	2-8
LP CHECKLIST .....	1-33
LP FUEL TANKS .....	1-33
LP GAS SYSTEM .....	1-32
LP LIQUID WITHDRAWAL SYSTEM .....	1-32
LP OPTION .....	3-6
LP POWERED FUELING INSTRUCTIONS .....	1-18
LP POWERED SWEEPER, TO START THE .....	1-15
LP SAFETY PRECAUTIONS .....	1-31
LP TANK, TO BEGIN CHANGING THE .....	1-34
LP TANKS, TO CHANGE THE .....	1-19
MACHINE CONTROLS .....	1-9
MACHINE FOR TRANSPORT, TO DRIVE THE .....	1-16
MACHINE PREPARATION .....	1-5
MACHINE SPECIFICATIONS .....	1-3
MACHINE STORAGE - BATTERY POWERED MACHINES .....	1-19
MACHINE STORAGE - GASOLINE POWERED MACHINES .....	1-19
MAIN BROOM .....	1-23
MAIN BROOM .....	2-10
MAIN BROOM ADJUSTMENT .....	1-11
MAIN BROOM ARMS .....	2-12
MAIN BROOM LEVER .....	1-1
MAIN BROOM OPTIONS .....	3-9
MAIN BROOM SWEEP HEIGHT, TO ADJUST THE .....	1-23
MAIN BROOM SWEEP PATTERN, TO CHECK THE .....	1-23
MAIN BROOM, TO REPLACE THE .....	1-24
MOTIVE POWERED BATTERIES (BATTERY ONLY), TO CHARGE THE .....	1-18
NEUTRAL SETTING, TO ADJUST .....	1-29
OPERATING INSTRUCTIONS .....	1-14
ORDERING PARTS .....	1-42
PANEL FILTER, TO CHANGE THE .....	1-26
PANEL FILTER, TO CLEAN THE .....	1-26
POST OPERATION CHECKLIST .....	1-17
PRE-START CHECKLIST .....	1-15

# INDEX

---

REPLACING THE FORWARD DRIVE BELT .....	1-29
REPLACING THE REVERSE BELT .....	1-30
REWIND STARTER .....	1-13
RIGHT HAND SIDE BROOM .....	2-14
SAFETY PRECAUTIONS .....	1-7
SCHEMATIC & CONNECTION DIAGRAMS (BATTERY) .....	3-10
SCHEMATIC & CONNECTION DIAGRAMS (GAS) .....	3-11
SERVICE CHART .....	1-20
SERVICE INSTRUCTIONS .....	1-23
SIDE BROOM .....	1-25
SIDE BROOM LIFT HANDLE .....	1-11
SIDE BROOM SWEEP HEIGHT, TO ADJUST THE .....	1-25
SIDE BROOM SWEEP PATTERN, TO CHECK THE .....	1-25
SIDE BROOMS, TO CHANGE THE .....	1-26
SIDE FLAPS, TO ADJUST THE .....	1-27
SPARE PARTS KITS .....	3-8
MAIN BROOM OPTIONS .....	3-9
STANDARD HARDWARE & TORQUE VALUES .....	1-35
START BUTTON (GAS/LP ONLY) .....	1-10
STORAGE OF LP TANKS .....	1-34
SWEEPING GUIDELINES .....	1-22
SWEEPING VARIOUS TYPES OF DEBRIS .....	1-22
TABLE OF CONTENTS - CHAPTER 2 .....	2-1
TABLE OF CONTENTS - CHAPTER 3 .....	3-1
TO STOP SWEEPER .....	1-16
TO SWEEP WITH MACHINE .....	1-16
USE AND CARE OF LP TANKS .....	1-34
WARRANTY .....	3-15
WET SWEEP BYPASS OPTION .....	3-7
WHEEL DRIVE .....	2-6



TOP

BACK WIRING VIEW

