
Clarke®



**Beginning with
Serial No. 620001**

READ THIS BOOK

This book has important information for the use and safe operation of this machine. Read and understand this book before starting the machine. Keep this book and tell all operators to read the book. If you do not follow the instructions, you can cause an injury, or damage equipment, furniture or buildings.

All directions given in this book are as seen from the operator's position in the operator's seat.

For new books, write to: Clarke, 2100 Highway 265,
Springdale, Arkansas 72764

Operator's Manual

Instruction Book and Parts List Model SPS4800 Powered Sweeper

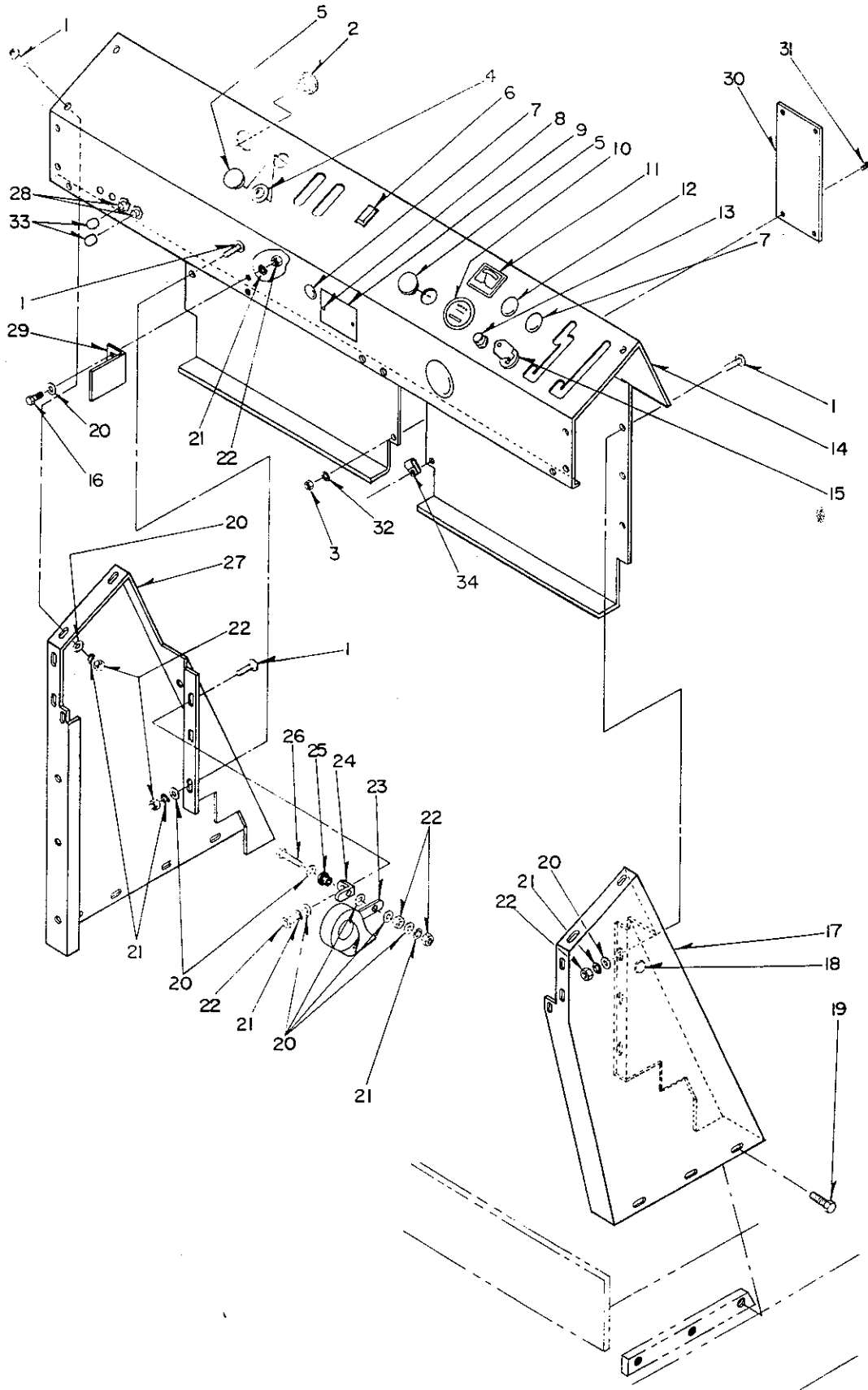
TABLE OF CONTENTS

SPECIFICATIONS			
GAS/LP/DIESEL Machine	4	BRAKE MAINTENANCE	30
BATTERY Machine	6	How to Adjust the Parking Brake	30
Machine Dimensions	8	How to Adjust the Parking Brake Clip	30
Standard Torque Valves	9	How to Adjust the Brake Rod	30
Decimal - Metric Conversion Table	10	BROOM MAINTENANCE	31
OPERATOR SAFETY INSTRUCTIONS	11	How to Adjust the Main Broom	31
INTRODUCTION	12	How to Adjust for an Even Pattern	31
OPERATION		How to Adjust the Broom Height	32
How the Machine Works	13	How to Replace the Broom	32
Preparing the Machine for Operation	14	How to Adjust the Side Broom	33
Gas Powered Machines	14	How to Replace the Side Broom	34
LP Powered Machines	15	DIRECTIONAL/SPEED CONTROL PEDAL	
Diesel Powered Machines	15	MAINTENANCE	34
Battery Powered Machines	16	How to Adjust the	
How to Charge the Batteries	16	Directional/Speed Control Pedal	34
THE CONTROLS	18	DUST FILTER MAINTENANCE	35
Horn Button	18	How to Clean the Dust Filter	36
Hour Meter	18	How to Replace the Dust Filter	36
Ignition System	18	ELECTRICAL DIAGRAMS	37
Key Switch Signal Light	19	Schematic Diagram - Gas/LP	37
Parking Brake	19	Connection Diagram - Gas/LP	38
Filter Shaker Button	19	Schematic Diagram - Diesel	39
Main Broom and Side		Connection Diagram - Diesel	40
Broom Control Levers	20	Schematic Diagram - Battery	41
Side Broom Lever	20	Connection Diagram - Battery	42
Main Broom Lever	20	ENGINE MAINTENANCE	43
Directional/Speed Control	20	Air Cleaners	43
Hopper and Broom		Fuel	44
Control Lever	21	Engine Oil Level	44
Dump Door Light	21	Fuel Filters	45
Hopper Dump Door		Spark Plugs	46
Control Lever	21	FLAP MAINTENANCE	46
Fuel Gauge	22	How to Adjust and Replace the Flaps	46
Ammeter	22	HYDRAULIC MAINTENANCE	47
Battery Condition Meter	22	How to Fill the Hydraulic System	47
Safety Lock Arm	22	How to Replace the Reservoir	
Choke (Gasoline)	22	Filter Element	47
Diesel Stop Control	22	Hydraulic Schematics	48
Throttle (Gas/LP)	22	LP GAS SYSTEM MAINTENANCE	49
How to Operate the Machine	23	LP Carburetor Adapter	50
How to Start the Machine	23	LP Regulator	50
How to Stop the Machine	24	LP Vacuum Lock Off	50
How to Sweep	24	LP Gas Fuel Tank	50
How to Unload the Hopper		LUBRICATION MAINTENANCE	51
- Low Dump	25	HOW TO TOW THE MACHINE	51
How to Unload the Hopper		TROUBLESHOOTING	52
- Variable Dump	25	General	52
MAINTENANCE		Gas and LP	54
Maintenance Schedule	26	Diesel	55
BATTERY MAINTENANCE	28	HOW TO ORDER PARTS	56
How to Install Batteries		PARTS LIST LEGEND	57
- Battery Powered	29	PARTS LIST	
		Frame and Related Parts	58
		Console - Gas/LP/Diesel	60

Console - Battery	62	Option-Warning Light - Gas	144
Hopper Lift - Variable Dump	64	Option-Warning Light - Battery	146
Hopper Lift - Low Dump	66	Option-Low Oil Warning & Shutdown	148
Hopper Assembly-Variable Dump	68	Option-Overhead Guard	150
Hopper Assembly - Low Dump	70	INDEX	152
Main Broom Chamber	72	CLARKE Product Support Branches	155
Main Broom	74	WARRANTY	Back Cover
Side Broom	76		
Forward / Reverse Control			
Pedal and Valve	78		
Brake Linkage	80		
Front Wheel and Brake			
- Variable Dump	82		
Front Wheel and Brake			
- Low Dump	84		
Steering Control, Drive Motor			
and Rear Wheel	86		
Hydraulic Hose System			
- Variable Dump Gas/LP	88		
Hydraulic Hose System			
- Low Dump Gas/LP	90		
Hydraulic Hose System			
- Variable Dump Diesel	92		
Hydraulic Hose System			
- Low Dump Diesel	94		
Hydraulic Hose System			
- Variable Dump Battery	96		
Hydraulic Hose System			
- Low Dump Battery	98		
Reservoir	100		
Control Valve - Variable Dump	102		
Control Valve - Low Dump	104		
Vacuum Fan and Motor	106		
Engine and Pump - Gas/LP	108		
Engine and Pump - Diesel	110		
Fuel Tank	112		
Motor and Pump - Battery	114		
Battery Installation	116		
LP Components	118		
Wiring Parts List - Gas/LP	120		
Wiring Parts List - Diesel	122		
Wiring Parts List - Battery	124		
Decals - Variable Dump	126		
Decals - Low Dump	128		
Option - Backup Alarm - Gas/LP	130		
Option - Backup Alarm - Battery	132		
Option - Battery Condition Meter	125		
Option - Brooms and Brushes	134		
Option - Fuel Gauge	135		
Option - Headlights and Taillights			
- Gas	136		
Option - Headlights and Taillights			
- Battery	138		
Option - Turn Signals - Gas	140		
Option - Turn Signals - Battery	142		

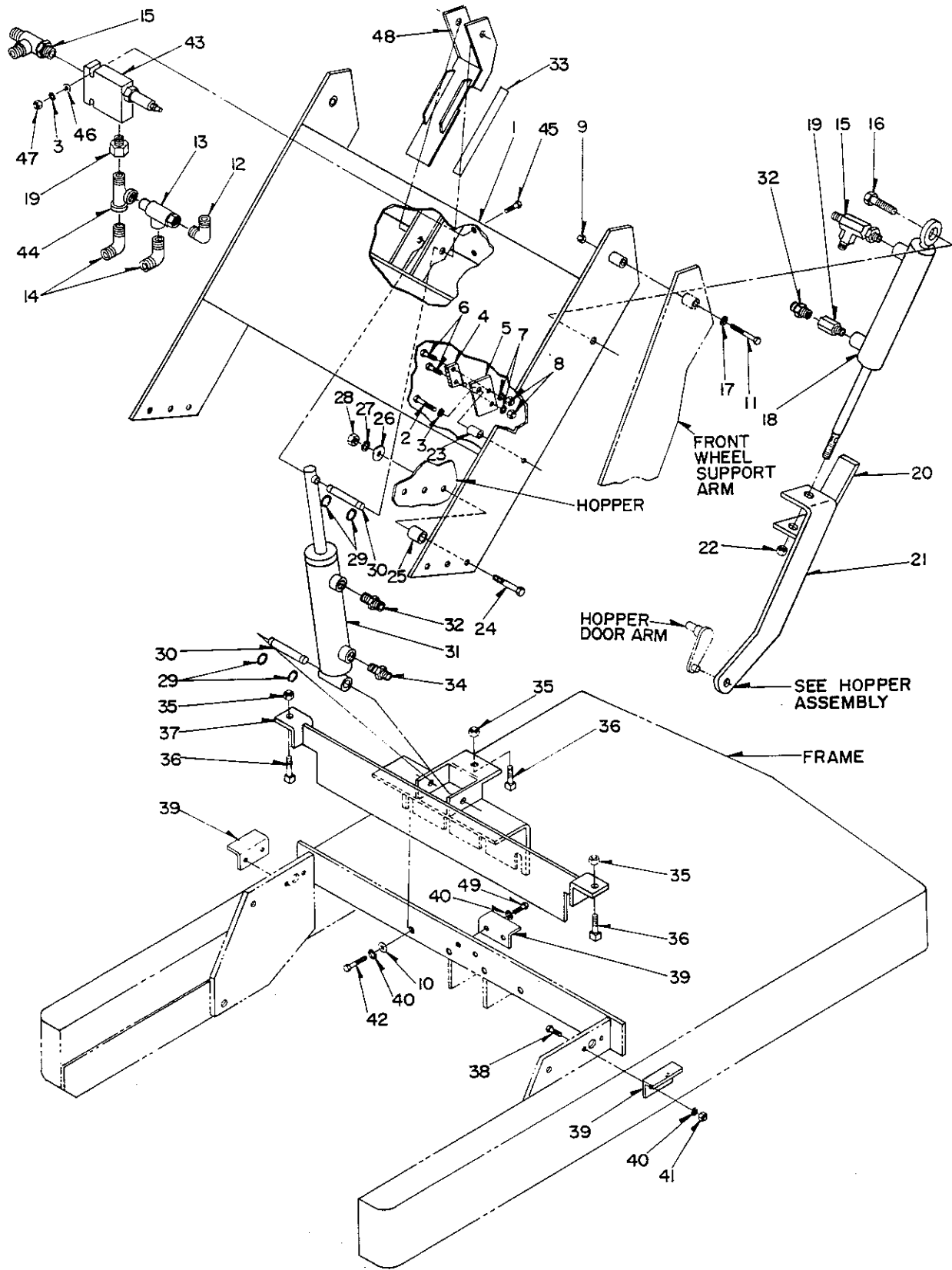
KEY NO.	PART NUMBER	DESCRIPTION	QTY
1	8-29-00195	Seal Gasket	1
2	2-00-00233	Screw, 3/8 - 16 x 1.000 HHC	2
3	8-16-07332	Engine Cover (Red)	1
4	8-41-00033	Latch	1
5	8-08-00689	Hopper Support Bracket (Black)	3
6	2-00-02310	Lock Washer, Helical Spring 3/8 Med	6
7	2-00-02360	Nut, Hex 3/8 - 16 x .562 x .328	2
8	2-00-00519	Lock Washer, Helical Spring #10 Med	4
9	2-00-00605	Nut, Hex MS #10 - 24 x .375 x .125	4
10	8-27-00104	Main Frame (Black)	1
11	2-00-00530	Lock Washer, Helical Spring 5/16 Med	13
12	2-00-00585	Nut, Hex 5/16 - 18 x .500 x .265	13
13	8-29-00196	Seal Gasket, Engine Cover Seat	1
14	8-21-04029	Edging, 6.50"	1
15	8-21-04028	Edging, 12.88"	1
16	2-00-00586	Nut, Hex Jam 5/16-18 x .500 x .187	5
17	2-00-01255	Screw, 5/16 - 18 x .875 HHC	5
18	8-32-00039	Engine Cover Hinge (Black)	1
19	2-00-00213	Screw, 5/16 - 18 x .625 HHC	8
20	2-00-00049	Screw, #10 - 24 x .500 RHM	4
21	2-00-03266	Fan Washer, 1.296 x .375 x .125	4
22	2-00-00209	Screw, 3/8 - 16 x 1.250 HHC	4
23	8-69-00003	Seat	1
24	2-00-04936	Nut, Hex Fiber Insert 1/2-13	2
25	8-89-04016	Weight - 13.5 lbs.	10
26	2-00-04914	Screw, 1/2-13 x 4.500 HHC	2
27	8-89-04015	Weight - 12.0 lbs.	2

CONSOLE - BATTERY



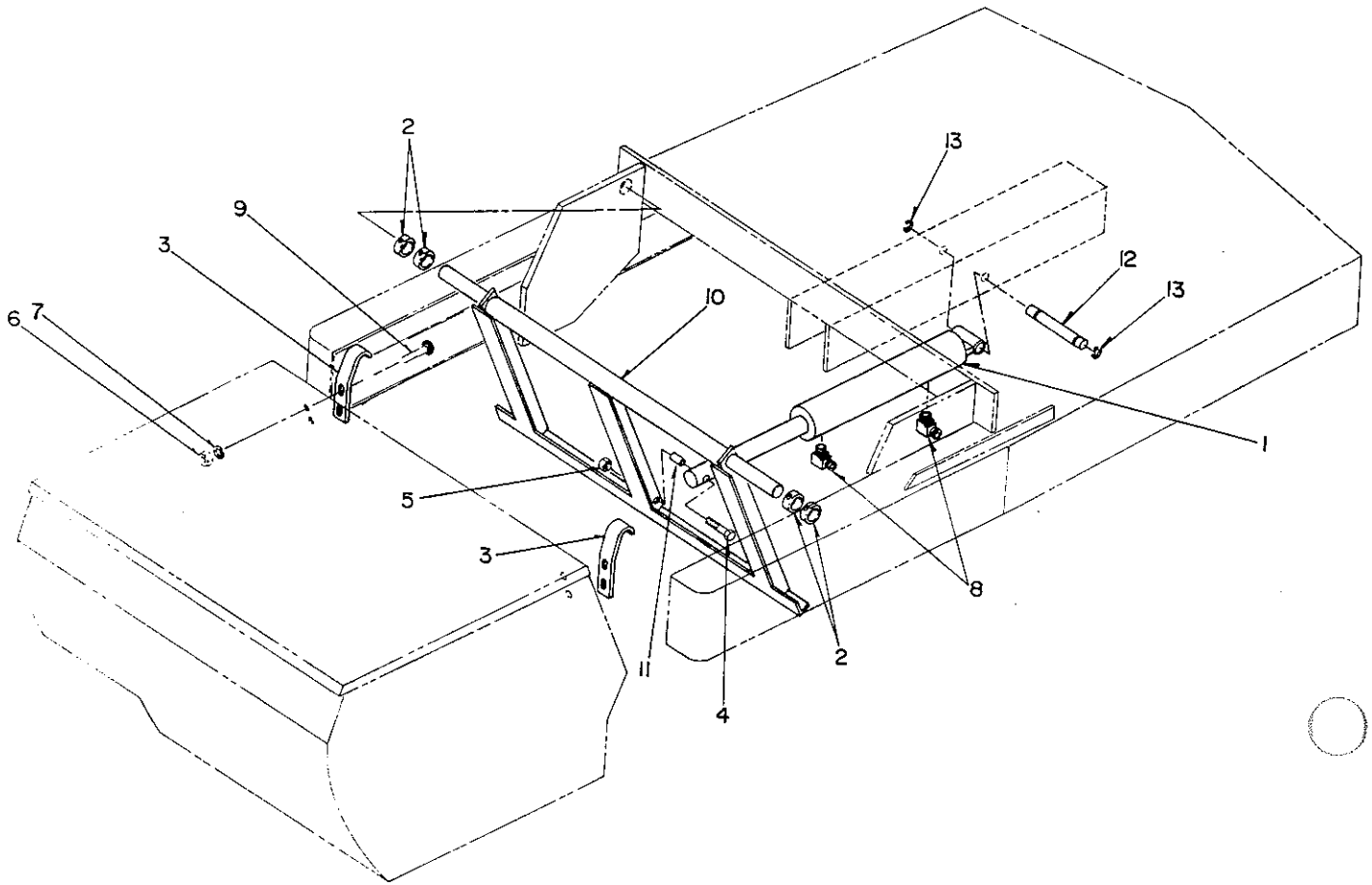
KEY NO.	PART NUMBER	DESCRIPTION	QTY
1	2-00-04677	Screw, 1/4 - 20 x .750 BHS	22
2	8-21-09029	Edging (Variable Dump Only)	1
3*	2-00-00605	Nut, Hex MS #10 - 24 x .375 x .125	1
4	7-40-05018	Broom Door Pilot Light(Variable Dump)	1
5	2-00-03712	Plug Button, .690	2
6	8-82-00045	Switch	1
7	2-00-00581	Plug Button, .530	2
8	2-00-04115	Blind Rivet, 1/8 x 1/8	2
9		Serial Plate	1
10	8-48-05009	Hour Meter	1
11	7-48-05023	Battery Condition Meter	1
12	2-00-00577	Plug Button .375	1
13	8-82-00028	Horn Switch	1
14	8-52-00151	Instrument Panel (Red)	1
15	8-82-00042	Key Switch	1
16	2-00-00221	Screw, 1/4 - 20 x .750 HHC	2
17	8-52-00149	Right Hand Side Console (Red)	1
18*	2-00-00581	Plug Button, .539 (Low Dump Only)	2
19	2-00-04678	Screw, 5/16 - 18 x .500 WFHHM	7
20	2-00-03702	Flat Washer, .625 x .281 x .062	26
21	2-00-00518	Lock Washer, Helical Spring 1/4 Med	23
22	2-00-00594	Nut, Hex 1/4 - 20 x .437 x .218	24
23	8-32-09013	Horn (12 VDC)	1
24	8-08-00491	Isolator Bracket	1
25	8-75-01133	Isolator	1
26	2-00-00203	Screw, 1/4 - 20 x 1.500 HHC	1
27	8-52-00150	Left Hand Side Console (Red)	1
28	8-64-00008	Circuit Breaker (15 Amp)	2
29	8-08-00639	Cover Bracket	1
30*	8-16-07331	Cover (Red)	1
31*	2-00-03940	Screw, #10 - 24 x .500 THM	4
32*	2-00-00519	Lock Washer, Helical Spring #10 Med	1
33	8-11-00044	Protective Boot	2
34*	2-00-04602	Hose Clamp, .500	1
* Low Dump Machine Only			

HOPPER LIFT - VARIABLE DUMP



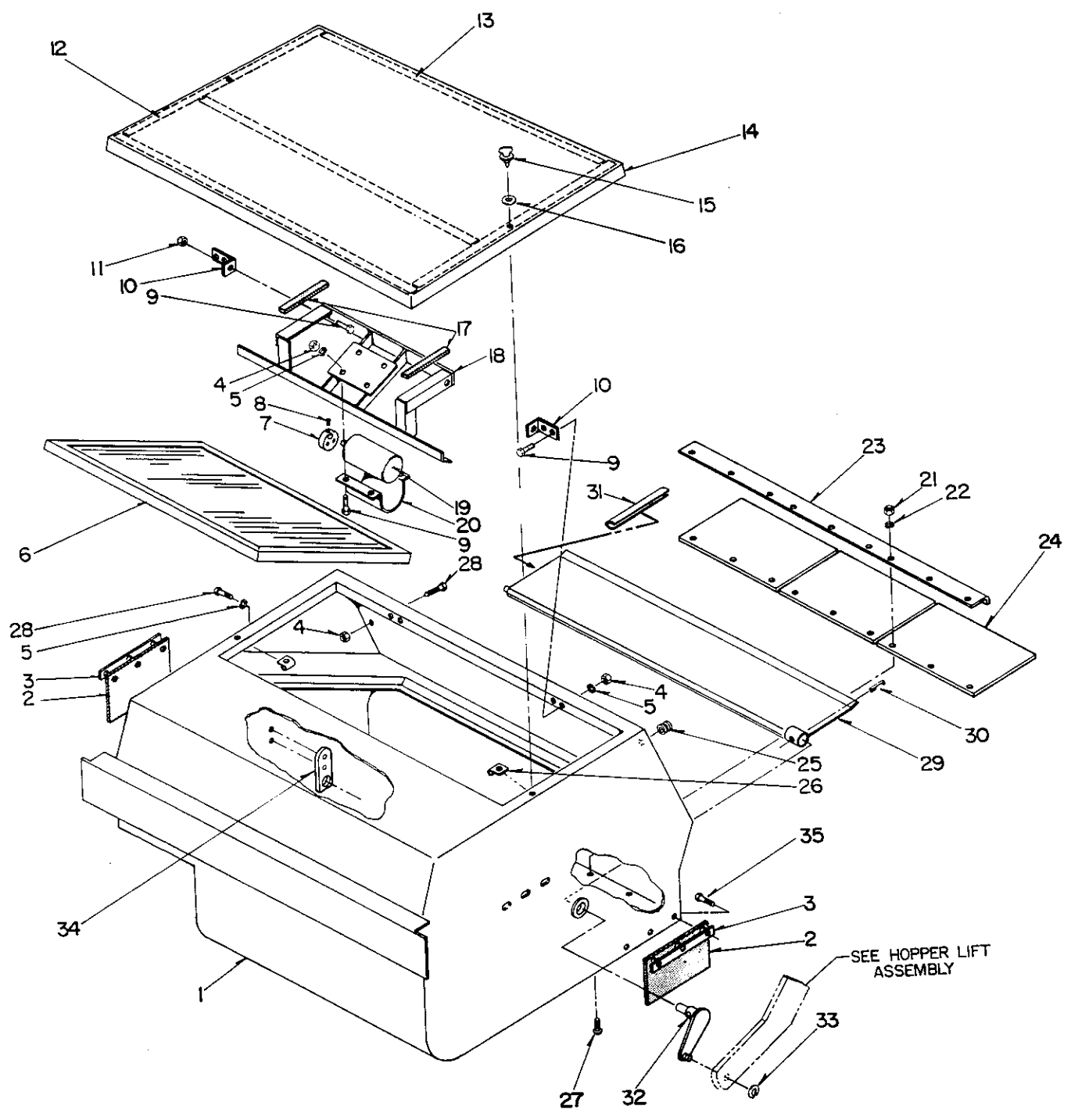
KEY NO.	PART NUMBER	DESCRIPTION	QTY
1	8-27-07091	Lift Frame (Red)	1
2	2-00-00221	Screw, 1/4 - 20 x .750 HHC	1
3	2-00-00518	Lock Washer, Helical Spring 1/4 Med	1
4	7-82-00009	Switch	1
5	8-08-00476	Switch Mounting Plate	1
6	2-00-00067	Screw, #6 - 32 x 1.000 RHM	2
7	2-00-00511	Lock Washer, Int. #6	2
8	2-00-00624	Nut, Hex MS #6 - 32 x .312 x .109	2
9	2-00-00644	Nut, Hex Fiber Insert 5/16 - 18	2
10	2-95-01942	Flat Washer, .750 x .375 x .059	4
11	2-00-00211	Screw, 5/16 - 18 x 1.750 HHC	2
12	2-00-04992	37° JIC 90° Elbow M, 1/4-18 / 9/16-18	1
13	8-88-00045	Pilot Check Valve	1
14	2-00-04472	37° JIC 90° Elbow M, 3/8-18 / 9/16-18	2
15	2-00-04995	37° JIC Adj. Tee, 7/16-20 / 9/16-18	2
16	2-00-03850	Screw, 3/4 - 10 x 1.500 HHC	1
17	2-00-03266	Flat Washer, 1.296 x .375 x .125	2
18	7-17-05010	Hydraulic Cylinder	1
19	2-00-04994	37° JIC Female Pipe Adapter, 7/16-20 / 3/8-18	2
20	8-03-04255	Finger Switch	1
21	8-42-05130	Door Cylinder Link (Red)	1
22	2-00-00591	Nut, Hex Jam 1/2 - 20 x .750 x .312	1
23	8-09-01069	Spacer, .355 x .259 x .375	1
24	2-00-00235	Screw, 3/8 - 16 x 1.750 HHC	6
25	7-75-01065	Spacer, .875 x .515 x .687	6
26	2-00-04801	Flat Washer, .875 x .375 x .125	6
27	2-00-02310	Lock Washer, Helical Spring 3/8 Med	6
28	2-00-02360	Nut, Hex 3/8 - 16 x .562 x .328	6
29	2-00-03572	Retaining Ring, Ext. .625	4
30	8-55-08082	Pin, .625 x 4.250	2
31	8-17-05032	Lift Cylinder (Red)	1
32	2-00-04611	37° JIC Male Connector, 1/4-18 / 3/4-16	2
33	8-18-00077	Decal, Safety Arm	1
34	8-25-02034	37° JIC Restrictor, 9/16-18 / 3/8 NPT	1
35	2-00-02371	Nut, Hex Jam 1/2 - 13 x .750 x .312	3
36	2-00-00279	Setscrew, 1/2 - 13 x 1.500 SH-CP	3
37	8-81-00152	Lower Cylinder Support (Red)	1
38	2-00-00809	Screw, 5/16 - 18 x 1.000 HSHC	4
39	8-78-05020	Cylinder Support Stop	3
40	2-00-00530	Lock Washer, Helical Spring 5/16 Med	10
41	2-00-00585	Nut, Hex 5/16 - 18 x .500 x .265	4
42	2-00-00208	Screw, 5/16 - 18 x .750 HHC	4
43	0891-009	Relief Valve	1
44	7-12-02016	Relief Valve Replacement Cartridge	1
44	2-00-04462	Street Tee, 3/8-18 M to F	1
45	2-00-01769	Screw, 1/4 - 20 x 1.750 HHC	2
46	2-00-00407	Flat Washer, .562 x .274 x .062	2
47	2-00-00594	Nut, Hex 1/4 - 20 x .437 x .218	2
48	8-03-04256	Safety Arm	1
49	2-00-00224	Screw, 5/16 - 18 x .500 HHC	2

HOPPER LIFT - LOW DUMP



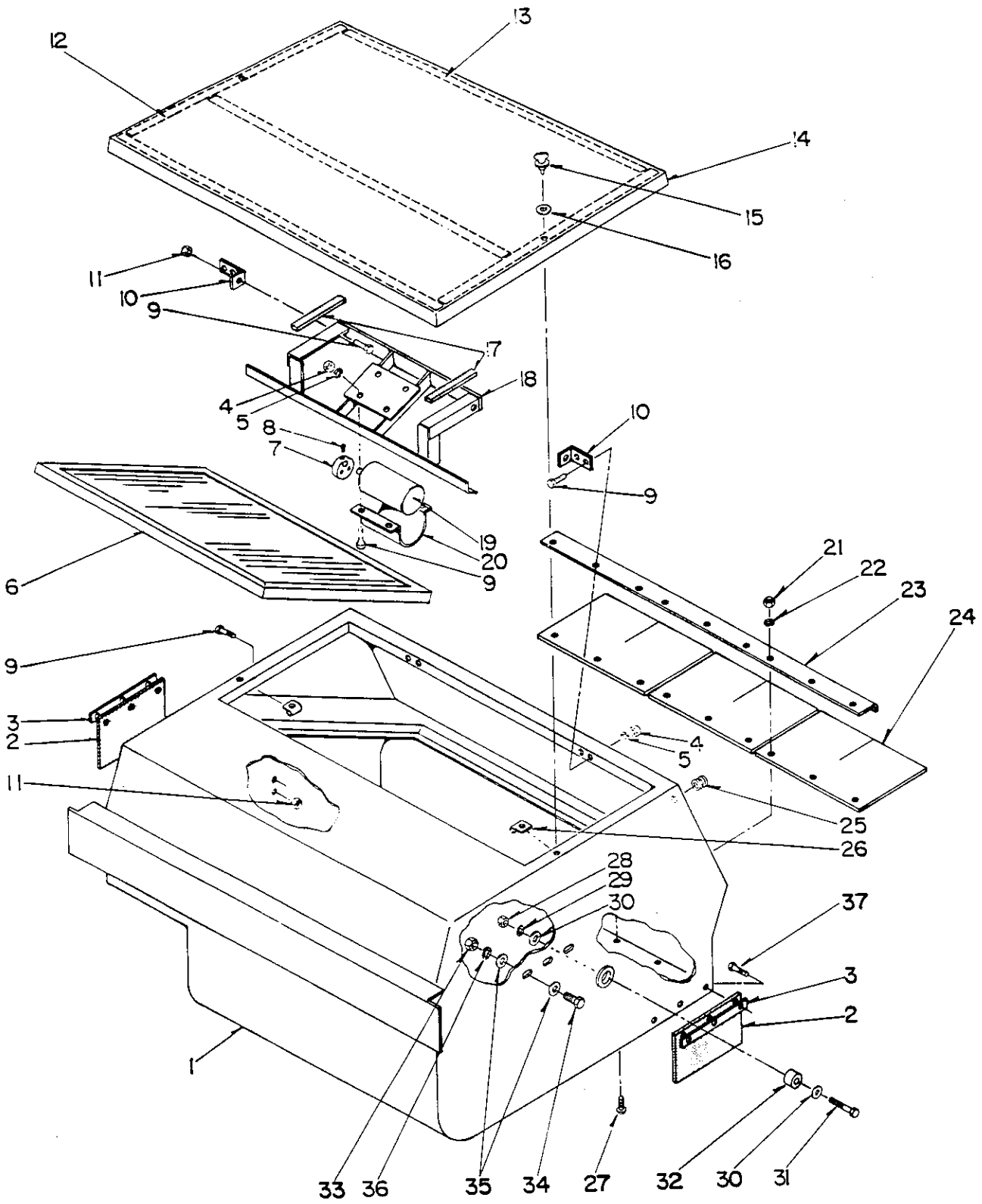
KEY NO.	PART NUMBER	DESCRIPTION	QTY
1	8-17-05020	Cylinder	1
2	2-00-04321	Collar w/ setscrew, 1.625 x 1.000 x .500	4
3	8-31-07007	Bracket, Hanging	2
4	2-00-02693	Screw, 1/2 - 20 x 2.000 HHC	1
5	2-00-00640	Nut, Hex Fiber Insert 1/2 - 20	1
6	2-00-00585	Nut, Hex 5/16 - 18 x .500 x .265	4
7	2-00-00530	Lock Washer, Helical Spring 5/16 Med	4
8	2-00-04472	37° JIC 90° Elbow M, 3/8-18 / 9/16-18	2
9	2-00-00196	Carriage Bolt, 5/16 - 18 x 1.000	4
10	8-03-04267	Hopper Lift Frame (Red)	1
11	8-09-01086	Bushing	1
12	8-55-08110	Pin	1
13	2-00-03572	Retaining Ring, .625 Ext.	2

HOPPER ASSEMBLY - VARIABLE DUMP



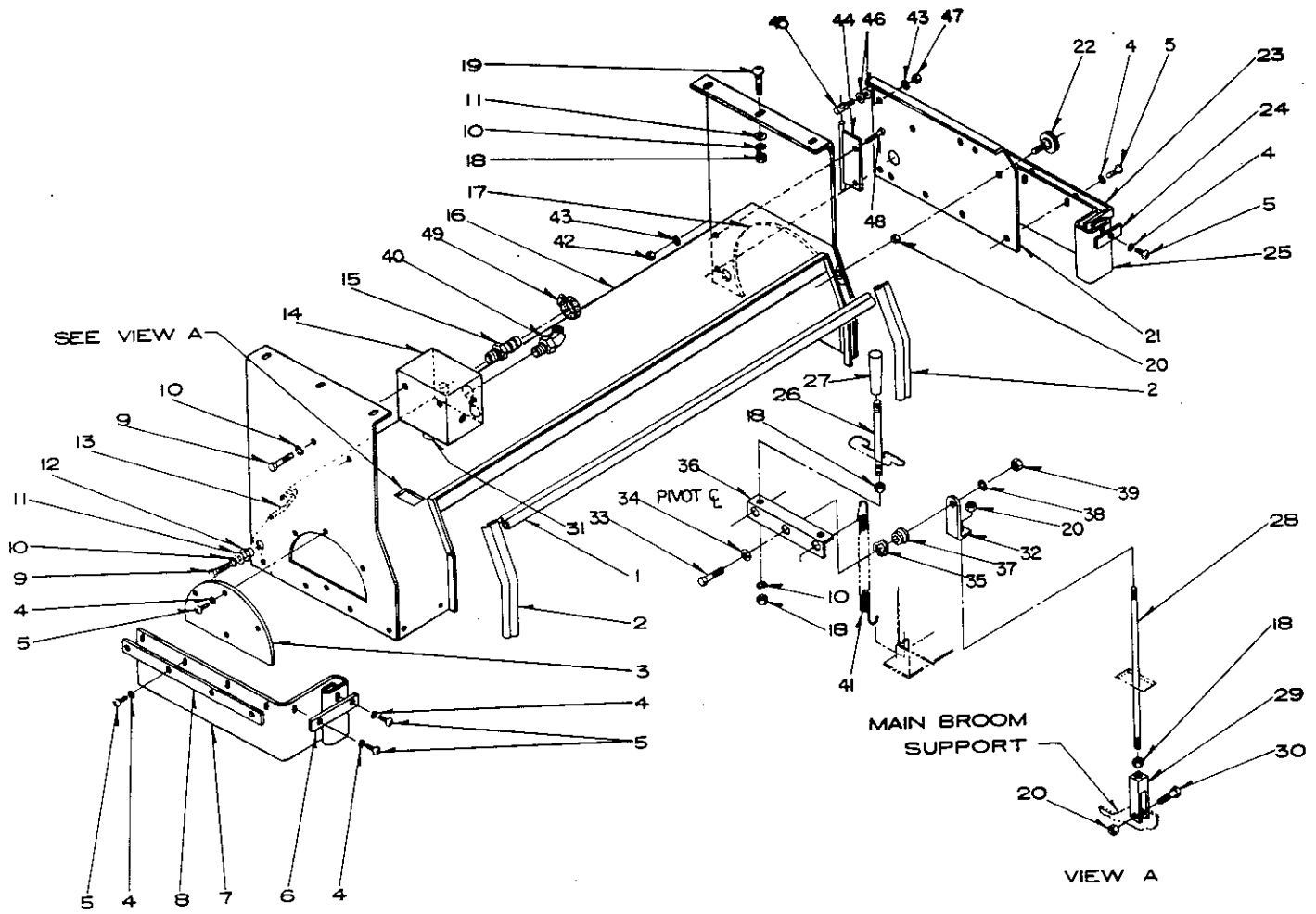
KEY NO.	PART NUMBER	DESCRIPTION	QTY
1	8-32-06087	Hopper (Red)	1
2	8-25-08162	Hopper Side Flap	2
3	8-79-00117	Hopper Side Flap Strap (Black)	2
4	2-00-00585	Nut, Hex 5/16 - 18 x .500 x .265	8
5	2-00-00530	Lock Washer, Helical Spring 5/16 Med	10
6	8-24-04082	Filter	1
7	8-89-04006	Shaker Motor Counter Weight	1
8	2-95-01929	Setscrew, 1/4 - 20 x .250 HS-CP (Nylok)	1
9	2-00-00208	Screw, 5/16 - 18 x .750 HHC	10
10	8-08-00497	Shaker Frame Bracket	2
11	2-00-00644	Nut, Hex Fiber Insert 5/16 - 18	2
12	8-68-05058	Side Hopper Lid Seal	2
13	8-68-05056	Rear Hopper Lid Seal	2
14	8-16-07330	Hopper Lid (Red)	1
15	7-23-03091	Thumb Screw	2
16	7-23-03087	Retainer	2
17	8-68-05059	Seal	2
18	8-27-07068	Shaker Frame	1
19	0882-027	Motor	1
20	8-16-07181	Shaker Motor Cover	1
21	2-00-00605	Nut, Hex MS #10 - 24 x .375 x .125	9
22	2-00-00519	Lock Washer, Helical Spring #10 Med	9
23	8-13-07090	Clamp	1
24	8-25-08160	Front Flap	3
25	2-00-01657	Rubber Grommet, .44 x .56	1
26	8-23-03058	U - Clip	2
27	2-00-03061	Screw, #10 - 24 x .500 THM	15
28	2-00-00224	Screw, 5/16 - 18 x .500 HHC	6
29	8-19-08041	Door	1
30	2-00-03930	Radial Locking Spring Pin, .312 x 1.500	1
31	8-21-04044	Edging	2
32	8-03-04271	Dump Door Lever (Red)	1
33	2-00-03572	Retainer	1
34	8-58-05244	Hopper Door Pivot Plate	1
35	2-00-03059	Screw, #10 - 24 x .375 THM	6

HOPPER ASSEMBLY - LOW DUMP



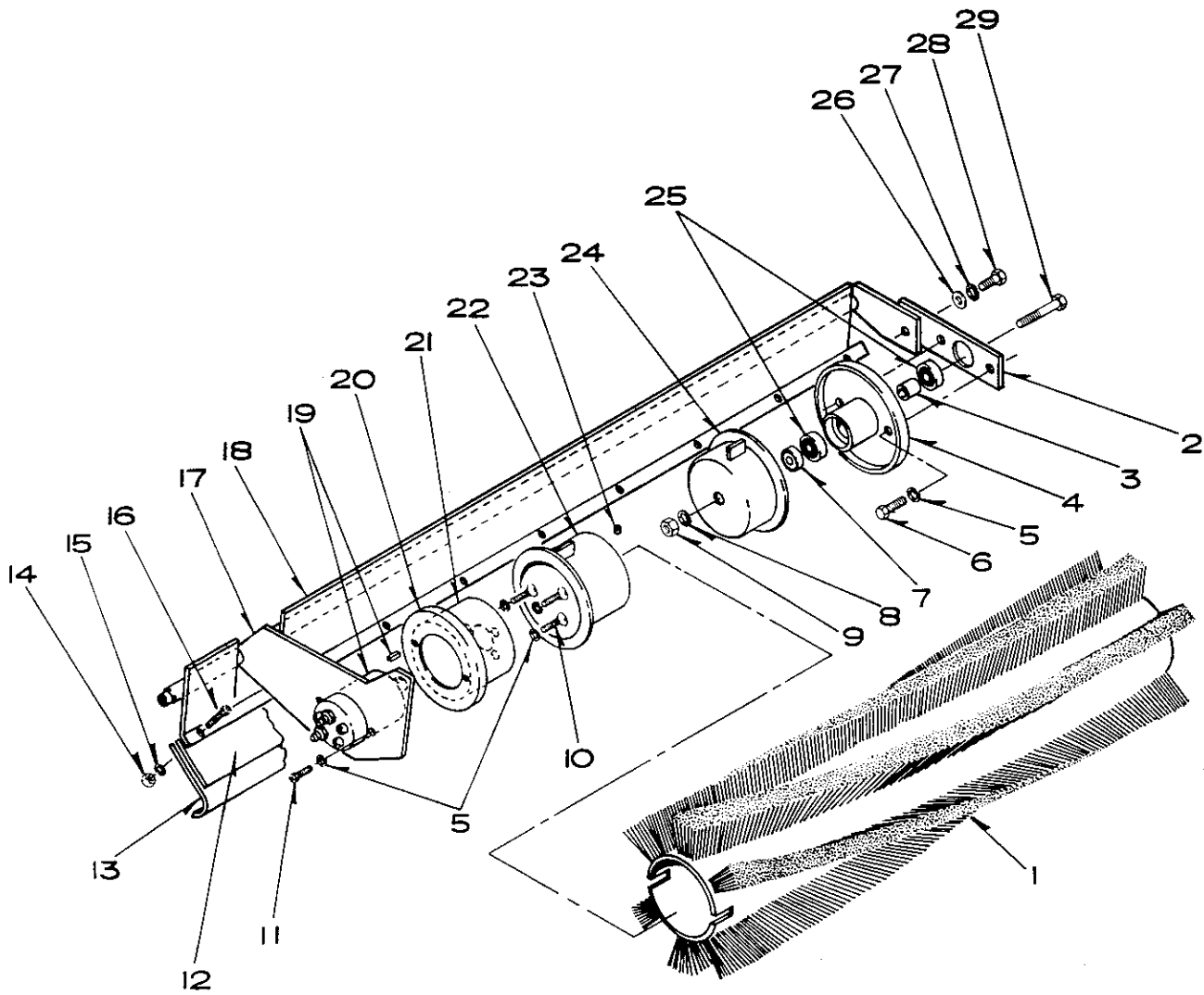
KEY NO.	PART NUMBER	DESCRIPTION	QTY
1	8-32-06087	Hopper (Red)	1
2	8-25-08162	Hopper Side Flap	2
3	8-79-00117	Hopper Side Flap Strap (Black)	2
4	2-00-00585	Nut, Hex 5/16 - 18 x .500 x .265	8
5	2-00-00530	Lock Washer, Helical Spring 5/16 Med	8
6	8-24-04082	Filter	1
7	8-89-04006	Shaker Motor Counter Weight	1
8	2-95-01929	Setscrew, 1/4 - 20 x .250 HS-CP (Nylok)	1
9	2-00-00208	Screw, 5/16 - 18 x .750 HHC	12
10	8-08-00497	Shaker Frame Bracket	2
11	2-00-00644	Nut, Hex Fiber Insert 5/16 - 18	4
12	8-68-05058	Side Hopper Lid Seal	2
13	8-68-05056	Rear Hopper Lid Seal	2
14	8-16-07330	Hopper Lid (Red)	1
15	7-23-03091	Thumb Screw	2
16	7-23-03087	Retainer	2
17	8-68-05059	Seal	2
18	8-27-07068	Shaker Frame	1
19	0882-027	Motor	1
20	8-16-07181	Shaker Motor Cover	1
21	2-00-00605	Nut, Hex MS #10 - 24 x .375 x .125	9
22	2-00-00519	Lock Washer, Helical Spring #10 Med	9
23	8-13-07090	Clamp	1
24	8-25-08160	Front Flap	3
25	2-00-01657	Rubber Grommet, .44 x .56	1
26	8-23-03058	U - Clip	2
27	2-00-03061	Screw, #10 - 24 x .500 THM	9
28	2-00-00594	Nut, Hex 1/4 - 20 x .437 x .218	1
29	2-00-00518	Lock Washer, Helical Spring 1/4 Med	1
30	2-00-00447	Flat Washer, 1.250 x .281 x .089	2
31	2-00-00205	Screw, 1/4 - 20 x 1.000 HHC	1
32	2-22-01938	Spacer	1
33	2-00-00593	Nut, Hex Hy. Jam 3/8 - 16 x .687 x .234	6
34	2-00-00231	Screw, 3/8 - 16 x .625 HHC	6
35	2-00-00410	Flat Washer, .875 x .375 x .032	12
36	2-00-02310	Lock Washer, Helical Spring 3/8 Med	6
37	2-00-03059	Screw, #10 - 24 x .375 THM	6

MAIN BROOM CHAMBER



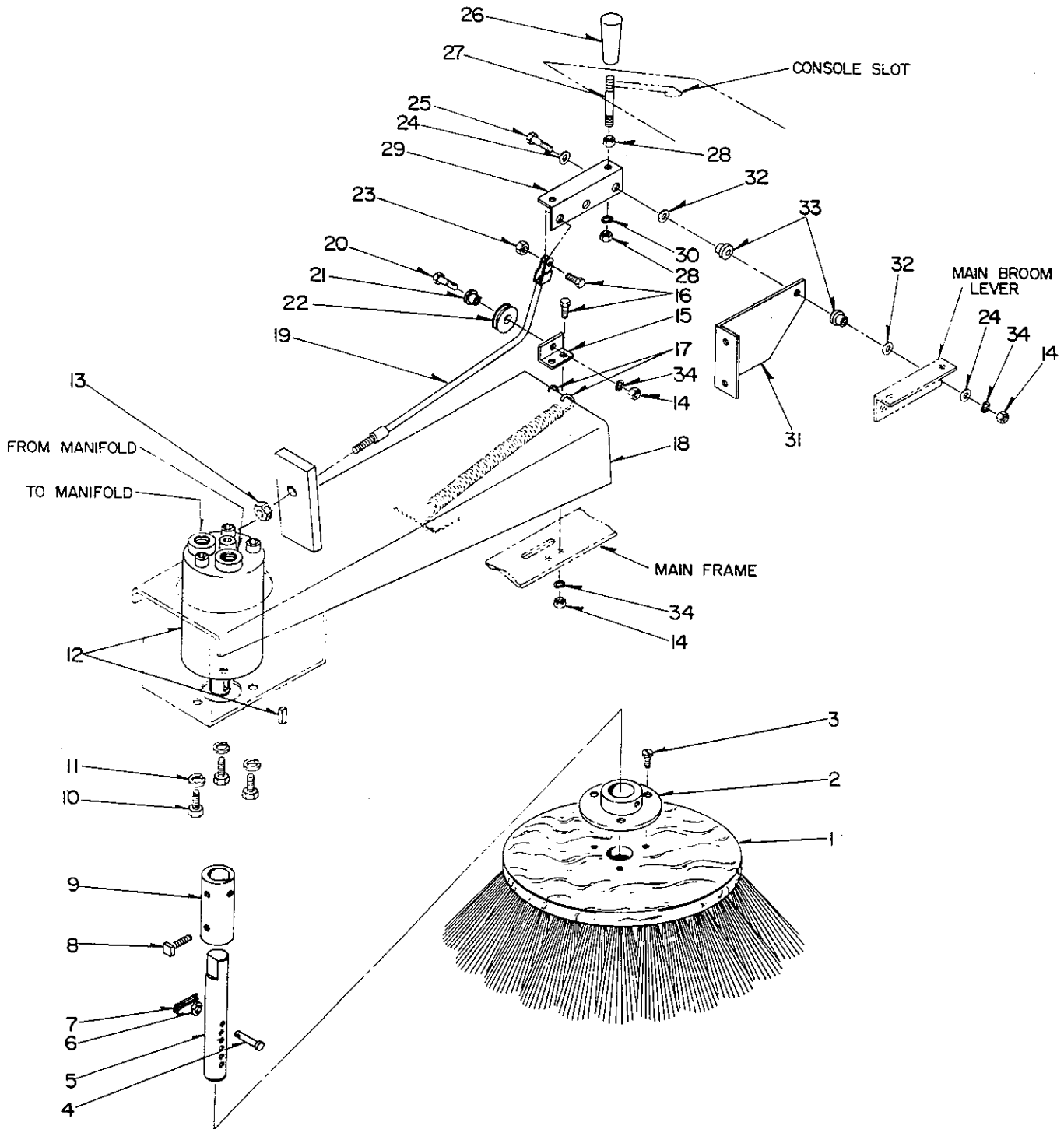
KEY NO.	PART NUMBER	DESCRIPTION	QTY
1	8-29-00141	Gasket, Upper Hopper Seal	1
2	8-29-00142	Gasket, Side Hopper Seal	2
3	8-16-07329	Cover, Broom Chamber Right Hand (Black)	1
4	2-00-00519	Lock Washer, Helical Spring #10 Med	15
5	2-00-02848	Screw, #10 - 32 x .500 RHM	15
6	8-79-00115	Strap, Flap Front (Black)	1
7	8-25-08157	Flap, Right Hand Main Broom Chamber	1
8	8-79-00116	Strap, Right Hand Side Flap (Black)	1
9	2-00-00232	Screw, 3/8 - 16 x .750 HHC	4
10	2-00-02310	Lock Washer, Helical Spring 3/8 Med	10
11	2-00-00402	Flat Washer, .750 x .390 x .093	8
12	8-09-01075	Bushing, Bronze	2
13	8-21-04031	Edging	1
14	8-48-00018	Manifold, Flow Div.	1
15	2-00-04752	Hose Fitting, 37° Straight Barb Stem, 1 1/16 - 12	1
16	8-33-05105	Chamber, Broom (Black)	1
17	8-29-00143	Gasket, Left Hand Door Seal	1
18	2-00-02360	Nut, Hex 3/8 - 16 x .562 x .328	9
19	2-00-03855	Carriage Bolt, 3/8 - 16 x 1.000	6
20	2-00-00643	Nut, Hex Fiber Insert 3/8 - 16	3
21	8-89-07848	Door, Broom Chamber (Black)	1
22	0106-011	Knob	1
23	8-70-00118	Strap, Left Hand Broom Chamber (Black)	1
24	8-65-00044	Retainer, Flap (Black)	1
25	8-25-08161	Flap, Left Hand Broom Door	1
26	8-66-00153	Handle	1
27	8-31-06081	Lock, Lever Handle	1
28	8-66-00152	Rod, Main Broom	1
29	8-14-01011	Clevis	1
30	2-00-00233	Screw, 3/8 - 16 x 1.000 HHC	1
31	8-88-00046	Flow Valve	1
32	8-42-05129	Broom Lift Link	1
33	2-00-02708	Screw, 5/16 - 18 x 1.000 HHM	1
34	2-95-01942	Flat Washer, .750 x .312 x .059	1
35	2-00-03382	Spring Washer, .875 x .500 x .015	1
36	8-41-05070	Broom Lift Lever	1
37	7-09-01057	Bushing	1
38	2-00-00530	Lock Washer, Helical Spring 5/16 Med	1
39	2-00-00585	Nut, Hex 5/16 - 18 x .500 x .265	1
40	2-00-04508	Fitting, 37° JIC 45° Elbow, 3/4 - 16	1
41	7-76-00102	Spring	1
42	2-00-02336	Nut, Hex Hvy. 1/4 - 20 x .500 x .242	4
43	2-00-00518	Lock Washer, Helical Spring 1/4 Med	4
44	8-32-00038	Hinge	1
45	7-23-03099	Stud	2
46	2-00-03702	Flat Washer, .625 x .281 x .062	4
47	2-00-02326	Nut, Hex Cap 1/4 - 20 x .470 x .437	2
48	2-00-00221	Screw, 1/4 - 20 x .750 HHC	2
49	2-00-02220	Hose Clamp, .812 - 1.500	1

MAIN BROOM



KEY NO.	PART NUMBER	DESCRIPTION	QTY
1	8-08-03137	Broom, Main (Poly Core, Standard)	1
2	8-03-04213	Arm, Idler	1
3	8-75-01147	Spacer, Idler	1
4	8-30-05112	Guard, Thread	1
5	2-00-00518	Lock Washer, Helical Spring 1/4 Med	7
6	2-00-02585	Screw, 1/4 - 20 x .375 HHC	2
7	2-00-03158	Spacer, .750 x .500 x .375	1
8	2-00-02312	Lock Washer, Helical Spring 1/2 Med	1
9	2-00-00596	Nut, Hex 1/2 - 13 x .750 x .437	1
10	2-00-04750	Screw, 1/4 - 28 x .500 BHS	3
11	2-00-01467	Screw, 1/4 - 20 x .750 HSHC	2
12	8-25-08158	Outer Rear Flap	1
13	8-25-08159	Rear Flap	1
14	2-00-00605	Nut, Hex MS #10 - 24 x .375 x .125	9
15	2-00-00519	Lock Washer, Helical Spring # 10 Med	9
16	2-00-03062	Screw, # 10 - 24 x .625 THM	9
17	8-81-00132	Support, Main Broom	1
18	8-16-07258	Cover, Main Broom Support	1
19	0885-061	Motor, w/ 3/16 Sq.x.63 Long Key	1
20	8-30-05116	Guard, Thread	1
21	8-33-05086	Housing, Main Broom Motor	1
22	8-33-09062	Hub, Drive	1
23	2-00-00263	Setscrew, 1/4 - 20 x .250 HS-KCP	2
24	8-33-09059	Hub, Idler	1
25	2-00-03306	Bearing	2
26	2-00-00402	Flat Washer, .750 x .390 x .093	1
27	2-00-02310	Lock Washer, Helical Spring 3/8 Med	1
28	2-00-00232	Screw, 3/8 - 16 x .750 HHC	1
29	2-00-02616	Screw, 1/2 - 13 x 3.000 HHC	1

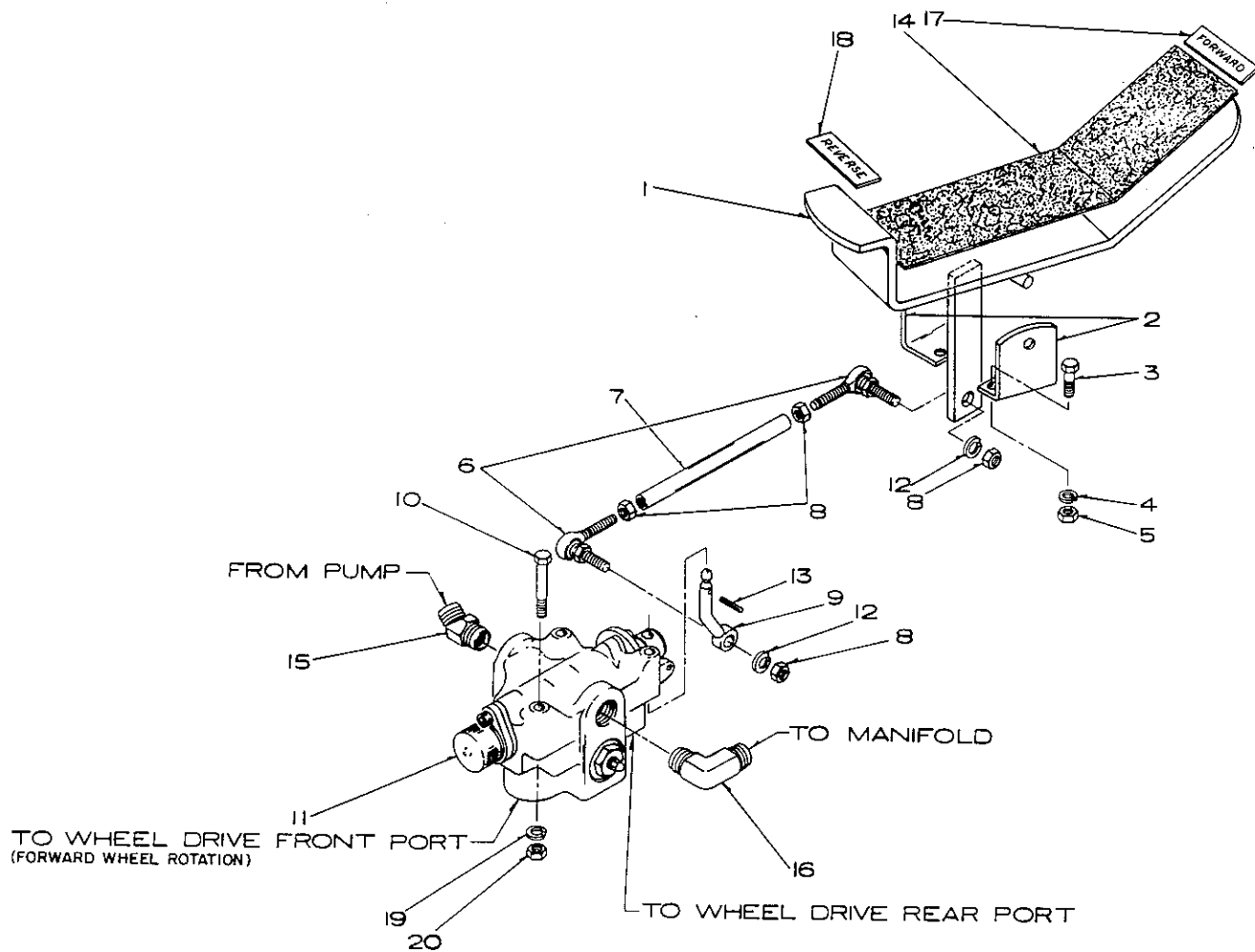
SIDE BROOM



P-3937-1

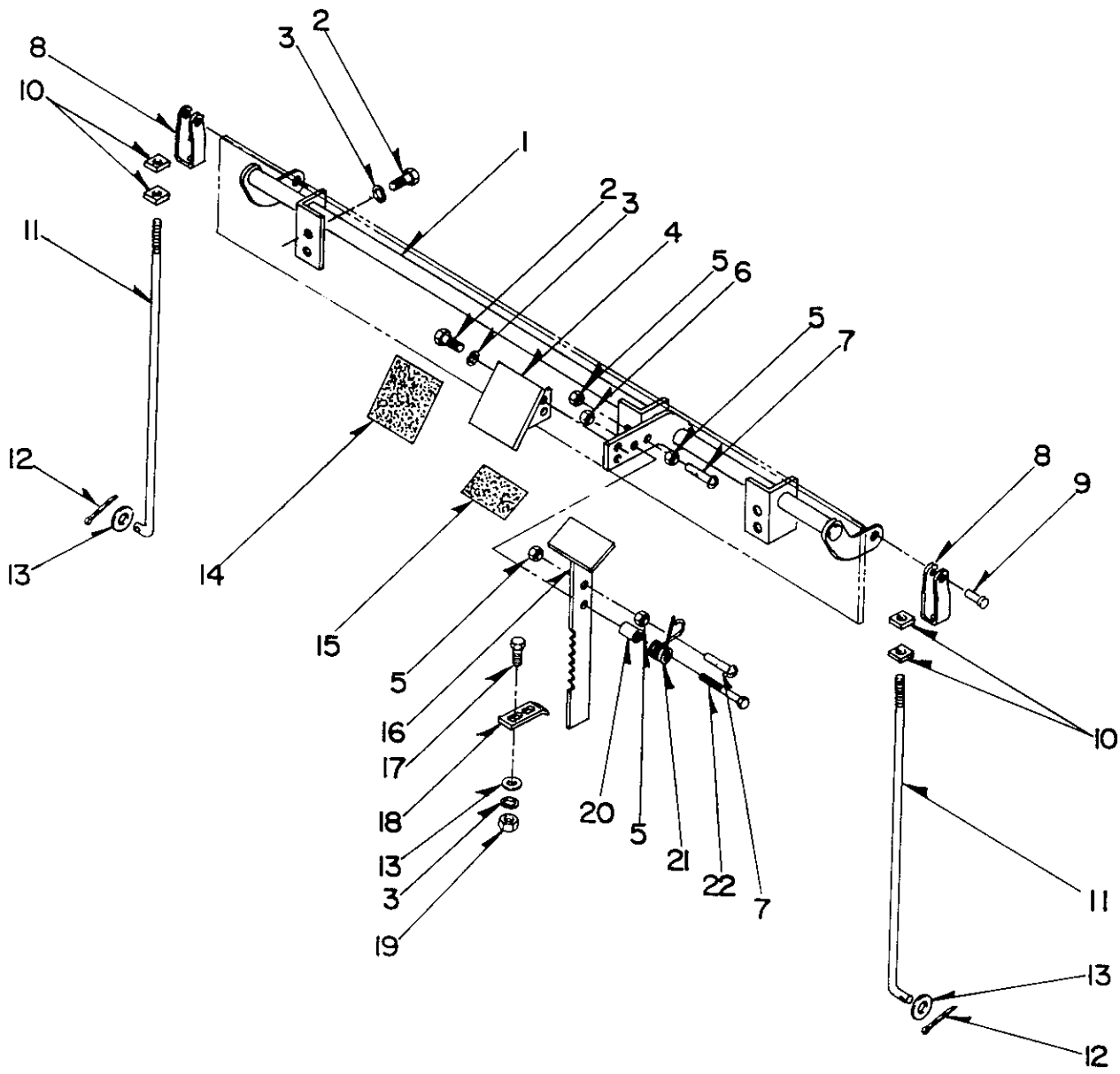
KEY NO.	PART NUMBER	DESCRIPTION	QTY
1	8-08-03140	Side Broom	1
2	8-25-06006	Flange	1
3	2-00-04968	Screw, #14 - 10 x 1.000 T/F RH	3
4	8-55-08091	Pin, Clevis	1
5	8-70-05266	Shaft, Side Broom Drive	1
6	2-00-03702	Flat Washer, .625 x .281 x .062	1
7	2-00-02418	Cotter Pin, .093 x .500	1
8	2-00-04180	Setscrew, 1/4 - 20 x .500 SH-CP	3
9	8-15-01031	Collar w/ setscrew, .500 x .251 x .281	1
10	2-00-04750	Screw, 1/4 - 28 x .500 BHS	3
11	2-00-00518	Lock Washer, Helical Spring 1/4 Med	3
12	0885-061	Motor w / Key, .187 Sq. x .750	1
13	2-00-00631	Nut, Hex Fiber Insert 5/16 - 24	1
14	2-00-00585	Nut, Hex 5/16 - 18 x .500 x .265	3
15	7-08-00501	Pulley Bracket	1
16	2-00-00208	Screw, 5/16 - 18 x .750 HHC	3
17	8-76-00054	Spring	2
18	8-03-04268	Arm, Side Broom (Black)	1
19	8-10-00031	Lift Cable	1
20	2-00-00234	Screw, 3/8 - 16 x 1.500 HHC	1
21	8-09-01065	Bushing	1
22	8-60-00140	Cable Pulley	1
23	2-00-00644	Nut, Hex Fiber Insert 5/16 - 18	1
24	2-95-01942	Flat Washer, .750 x .312 x .0598	2
25	2-00-00225	Screw, 5/16 - 18 x 1.500 HHC	1
26	8-31-06081	Handle	1
27	8-66-00153	Handle Rod	1
28	2-00-02360	Nut, Hex 3/8 - 16 x .562 x .328	4
29	8-41-05070	Lever	1
30	2-00-02310	Lock Washer, Helical Spring 3/8 Med	1
31	8-08-00638	Bracket	1
32	2-00-03382	Spring Washer, .875 x .500 x .015	2
33	7-09-01057	Bushing	2
34	2-00-00530	Lock Washer, Helical Spring 5/16 Med	3

FORWARD & REVERSE CONTROL PEDAL & VALVE



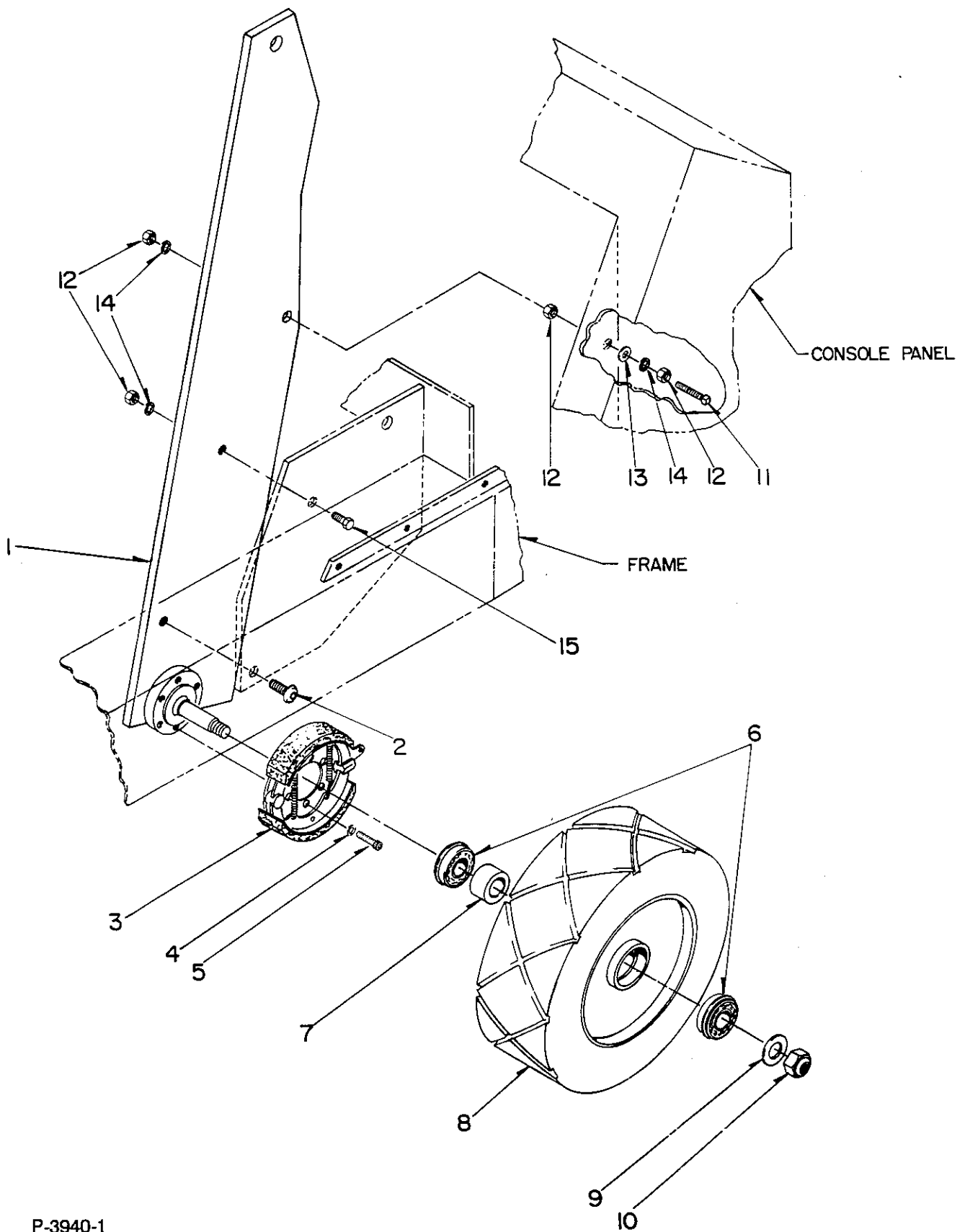
KEY NO.	PART NUMBER	DESCRIPTION	QTY
1	8-55-00024	Pedal, Forward / Reverse	1
2	8-08-00485	Bracket, Forward / Reverse Pedal	2
3	2-00-00208	Screw, 5/16 - 18 x .750 HHC	4
4	2-00-00530	Lock Washer, Helical Spring 5/16 Med	4
5	2-00-00585	Nut, Hex, 5/16 - 18 x .500 x .265	4
6	8-25-02019	Rod End Assembly	2
7	8-66-00134	Rod	1
8	2-00-00611	Nut, Hex Jam 3/8 - 24 x .562 x .218	4
9	8-03-04215	Arm, Valve Control	1
10	2-00-02589	Screw, 1/4 - 20 x 2.000 HHC	3
11	8-88-00027	Valve, Forward / Reverse	1
12	2-00-02310	Lock Washer, Helical Spring 3/8 Med	2
13	2-00-04749	Radial Locking Spring Pin, .125 x 1.375	1
14	8-50-05022	Pad, Foot Pedal	1
15	2-00-04361	37° JIC 45° Male Elbow, 3/4-14 / 3/4-16	1
16	2-00-04215	37° JIC 90° Elbow M, 3/4-14 / 3/4-16	1
17	7-40-00005	Decal, "Forward"	1
18	7-40-00006	Decal, "Reverse"	1
19	2-00-00518	Lock Washer, Helical Spring 1/4 Med	3
20	2-00-00594	Nut, Hex 1/4 - 20 x .437 x .218	3

BRAKE LINKAGE



KEY NO.	PART NUMBER	DESCRIPTION	QTY
1	8-66-00130	Torsion Rod (Red)	1
2	2-00-00220	Screw, 1/4 - 20 x .625 HHC	8
3	2-00-00518	Lock Washer, Helical Spring 1/4 Med	10
4	8-55-00026	Brake Pedal	1
5	2-00-00605	Nut, Hex MS #10 - 24 x .375 x .125	4
6	2-00-00641	Nut, Hex Fiber Insert 1/4 - 20	1
7	2-00-00039	Screw, #10 - 24 x 1.000 RHM	2
8	8-14-01008	Brake Rod Clevis	2
9	8-55-08088	Clevis Pin	2
10	2-00-00663	Nut, Sq.MS 1/4 - 20 x .437 x .187	4
11	8-66-00129	Brake Rod	2
12	2-00-02418	Cotter Pin, .094 x .500 Long	2
13	2-00-03702	Flat Washer, .625 x .281 x .062	4
14	8-50-05046	Pad - Lower Pedal	1
15	8-50-05045	Pad - Upper Pedal	1
16	8-55-00025	Lock Arm Pedal	1
17	2-00-00221	Screw, 1/4 - 20 x .750 HHC	2
18	8-13-07067	Parking Brake Clip	1
19	2-00-00594	Nut, Hex 1/4 - 20 x .437 x .218	2
20	8-09-01069	Spacer, .355 x .259 x .375	1
21	7-76-00013	Spring	1
22	2-00-02587	Screw, 1/4 - 20 x 1.250 HHC	1

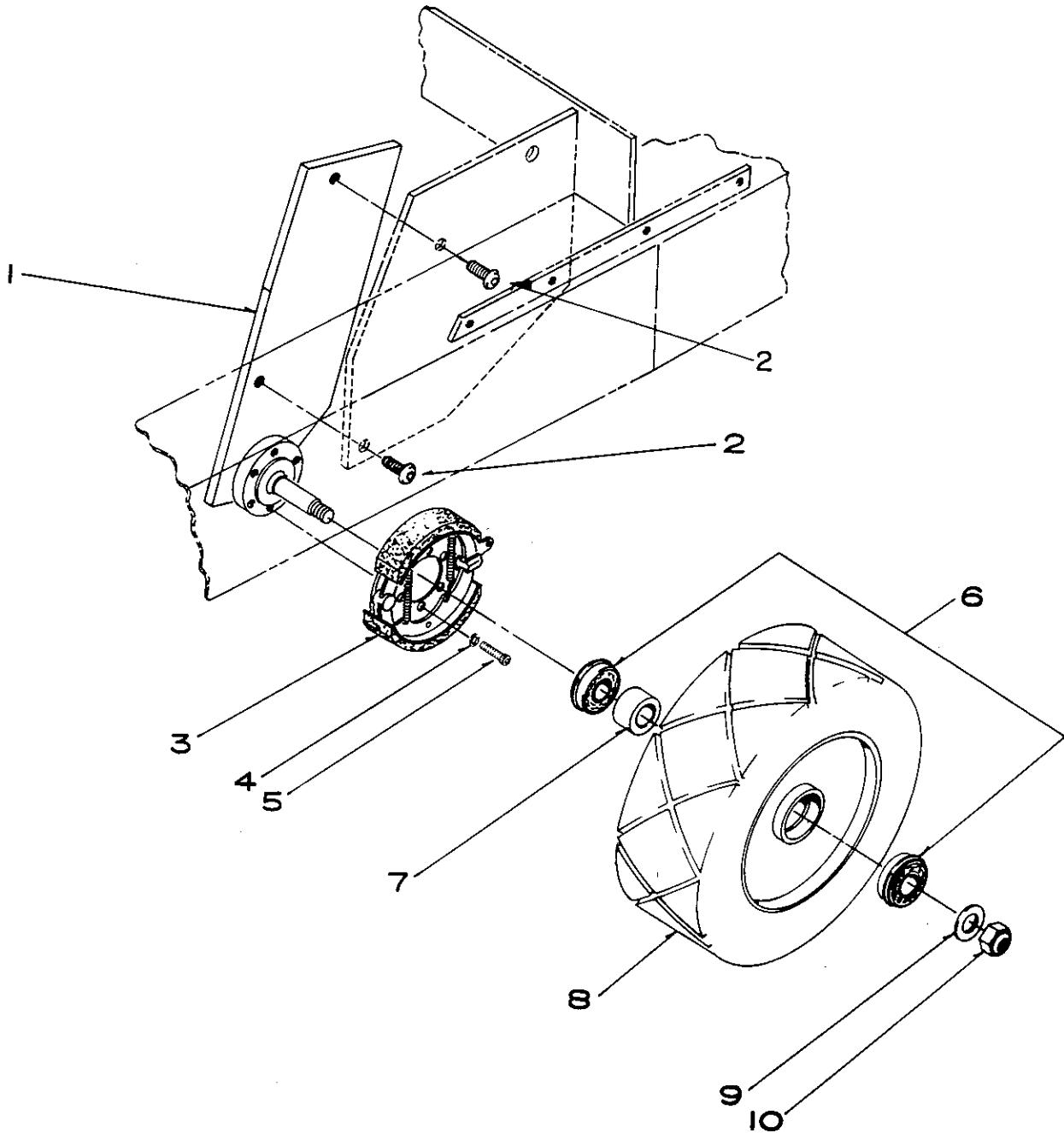
FRONT WHEEL AND BRAKE - VARIABLE DUMP



P-3940-1

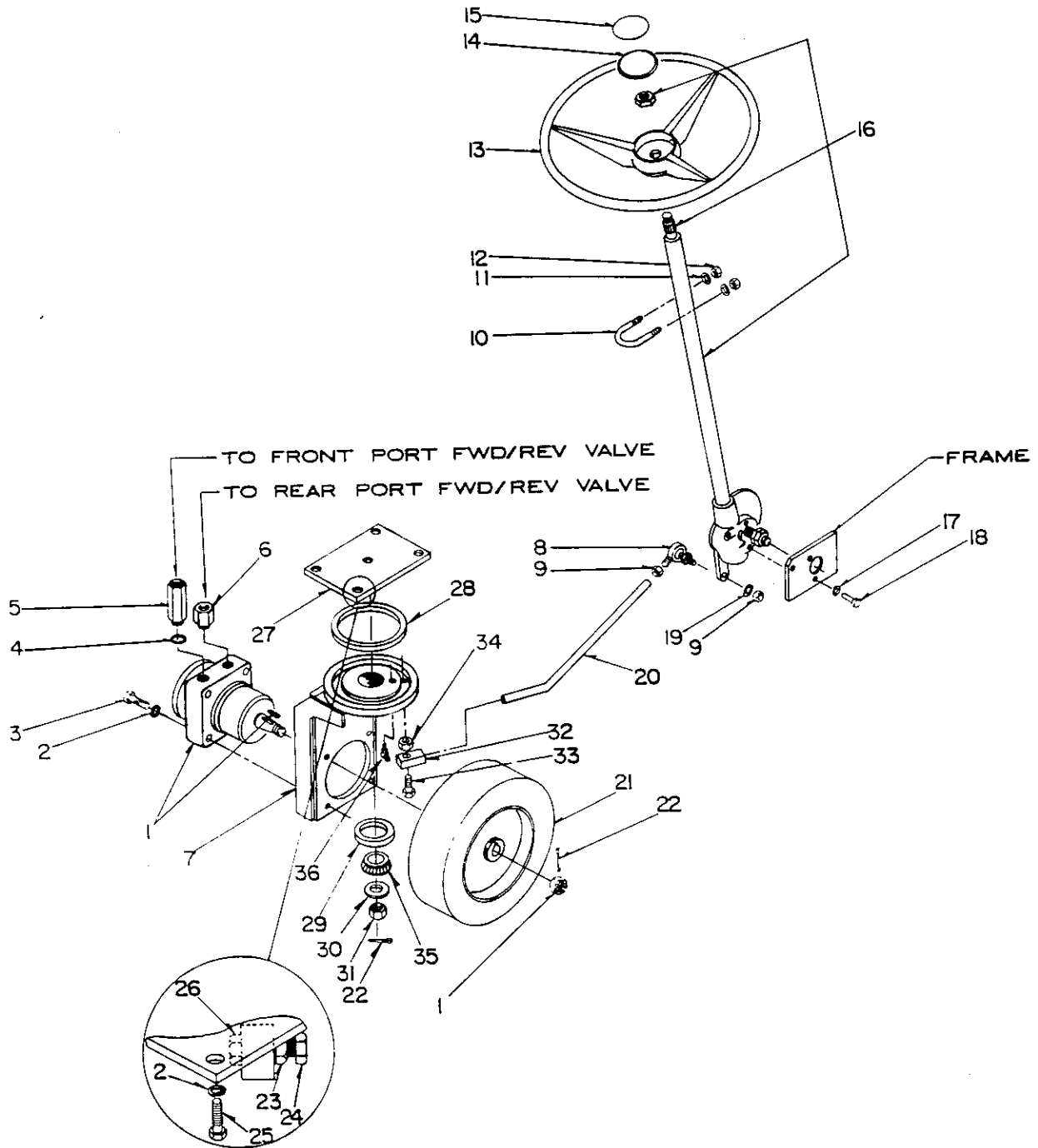
KEY NO.	PART NUMBER	DESCRIPTION	QTY
1	8-03-04270	Wheel Arm (L.H.) (Red)	1
1	8-03-04269	Wheel Arm (R.H.) (Red)	1
2	2-00-04558	Screw, 1/2 - 13 x 1.000 BHSS	4
3	8-08-02039	Brake Assembly	2
	8-71-05006	Brake Shoe	2
4	2-00-00518	Lock Washer, Helical Spring 1/4 Med	12
5	2-00-03046	Screw, 1/4 - 20 x .625 HSHC	12
6	2-00-04636	Bearing,	4
7	8-75-01144	Spacer,	2
8	8-89-08042	Front Wheel	2
9	2-00-00408	Flat Washer, 1.312 x .656 x .093	2
10	2-00-00642	Nut, Hex Fiber Insert 5/8 - 18	2
11	2-00-02981	Setscrew, 1/2 - 13 x 2.500 SH-CP	2
12	2-00-00596	Nut, Hex 1/2 - 13 x .750 x .437	8
13	2-00-00405	Flat Washer, 1.062 x .531 x .093	2
14	2-00-02312	Lock Washer, Helical Spring 1/2 Med	6
15	2-00-00241	Screw, 1/2 - 13 x 1.750 HHC	2

FRONT WHEEL AND BRAKE - LOW DUMP



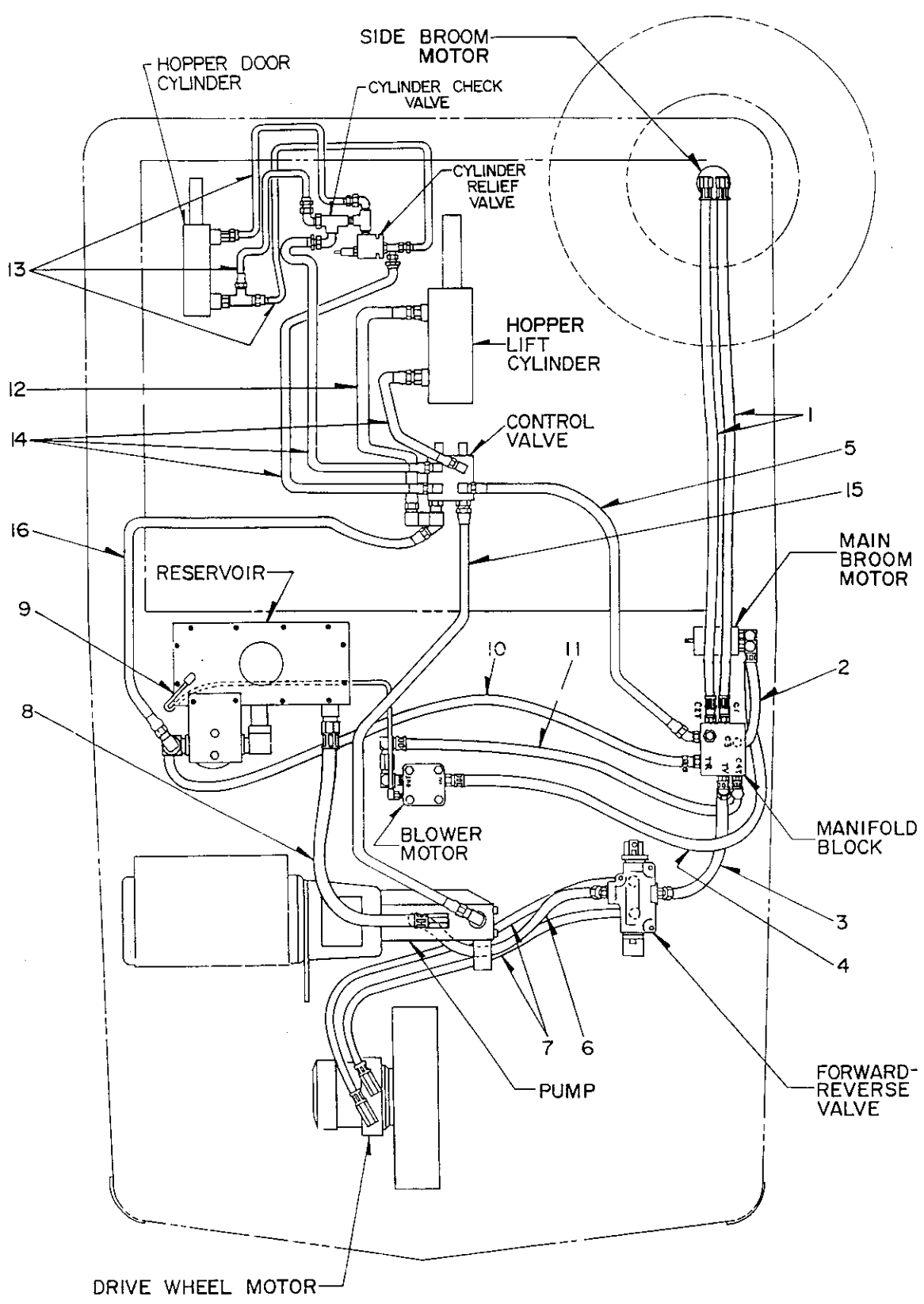
KEY NO.	PART NUMBER	DESCRIPTION	QTY
1	8-03-04265	Wheel Arm (L.H.) (Black)	1
1	8-03-04266	Wheel Arm (R.H.) (Black)	1
2	2-00-04558	Screw, 1/2 - 13 x 1.000 BHSS	2
3	8-08-02039	Brake Assembly	2
	8-71-05006	Brake Shoe	2
4	2-00-00518	Lock Washer, Helical Spring 1/4 Med	12
5	2-00-03046	Screw, 1/4 - 20 x .625 HSHC	12
6	2-00-04636	Bearing,	4
7	8-75-01144	Spacer,	2
8	8-89-08042	Front Wheel	2
9	2-00-00408	Flat Washer, 1.312 x .656 x .093	2
10	2-00-00642	Nut, Hex Fiber Insert 5/8 - 18	2
11	2-00-04558	Screw, 1/2 - 13 x 1.000 BHSS	2

STEERING CONTROL, DRIVE MOTOR & REAR WHEEL



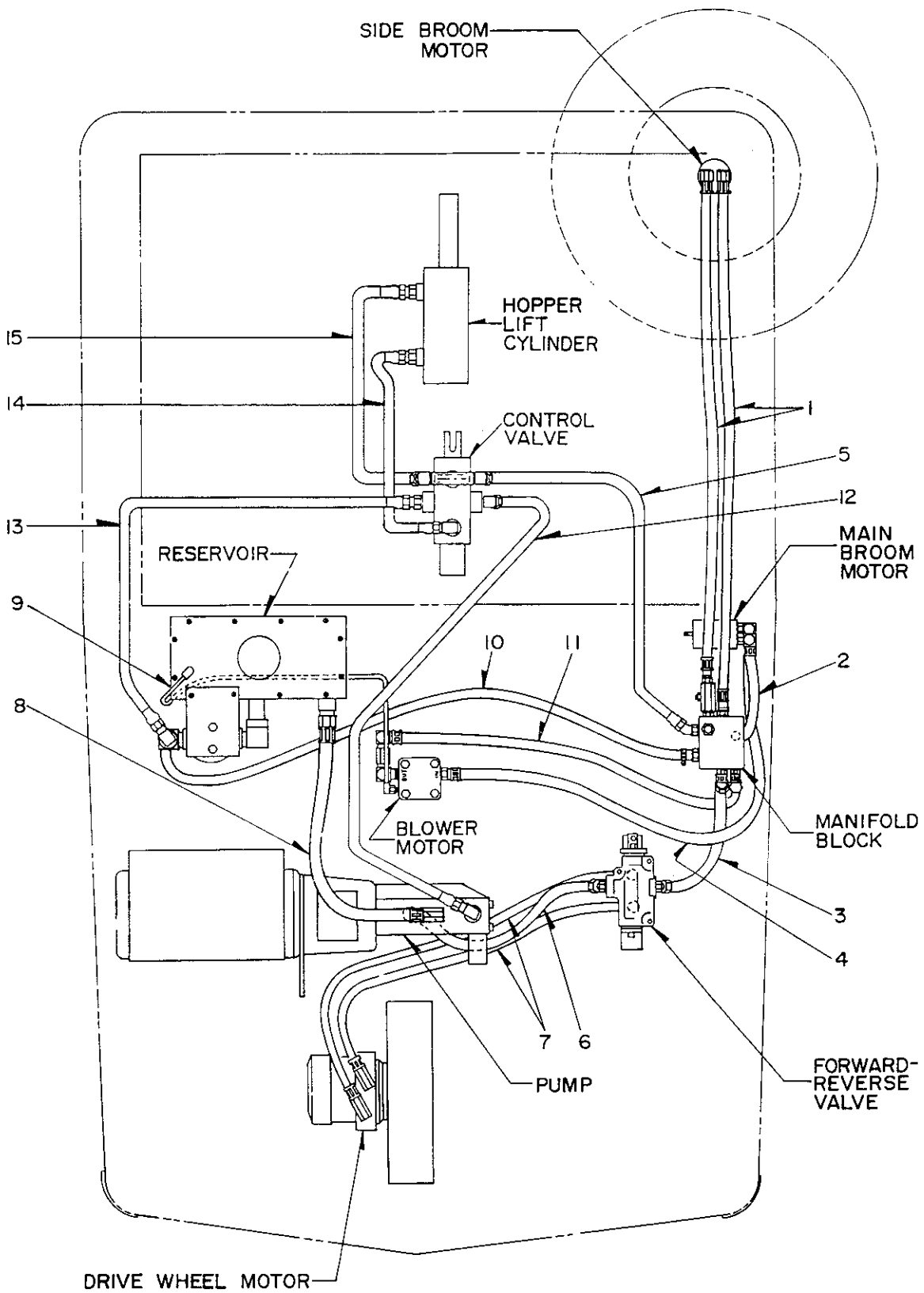
KEY NO.	PART NUMBER	DESCRIPTION	QTY
1	0885-072	Motor, Drive Wheel (Battery)	1
1	0885-073	Motor, Drive Wheel (Gas/LP/Diesel)	1
1	2-00-04852	Key, .312 1.000 SQ	1
1	8-50-03001	Nut, Hex 1 - 21 Castle	1
2	2-00-02312	Lock Washer, Helical Spring 1/2 Med	8
3	2-00-02694	Screw, 1/2 - 20 x 2.250 HHC	4
4	2-00-04748	O-Ring, .955 x .755 x .097	1
5	8-03-02037	Adapter, Hydraulic Fitting	1
6	2-00-04990	ORFS Boss Reducer, 7/8-14 / 3/4-16	1
7	8-58-05253	Yoke, Rear Wheel	1
8	8-25-02019	Rod End Assembly	1
9	2-00-00611	Nut, Hex Jam 3/8 - 24 x .562 x .218	2
10	8-13-07003	U-Bolt, 1/4 - 20 x 1.500 x 2.250	1
11	2-00-03702	Flat Washer, .625 x .281 x .062	2
12	2-00-00641	Nut, Hex Fiber Insert 1/4 - 20	2
13	8-89-08016	Steering Wheel	1
14	8-11-00022	Plastic Cap, Steering Wheel	1
15	8-18-00066	Decal	Ref
16	0801-567 *	Steering Gear	1
		Washer, Foam	1
	2-00-00642	Nut, Hex Fiber Insert 5/8 - 18	1
17	2-00-02310	Lock Washer, Helical Spring 3/8 Med	3
18	2-00-00233	Screw, 3/8 - 16 x 1.000 HHC	3
19	2-00-00505	Lock Washer, 3/8 Int.	2
20	8-42-05128	Rod, Steering Tie	1
21	8-89-08041	Rear Wheel	1
22	2-00-00776	Cotter Pin, .125 x 1.500	2
23	2-00-00586	Nut, Hex Jam 5/16-18 x .500 x .187	1
24	2-00-02708	Screw, 5/16 - 18 x 1.000 HHM	1
25	2-00-00240	Screw, 1/2 - 13 x 1.250 HHC	4
26	2-00-00224	Screw, 5/16 - 18 x .500 HHC	1
27	8-58-05211	Mounting Plate	1
28	2-00-04840	Thrust Bearing	1
29	2-00-04621	Tapered Roller Bearing Cup	1
30	8-75-01157	Thrust Washer	1
31	2-00-04841	Nut, Hex Slotted 3/4 - 16 x .641	1
32	8-25-02031	Fitting, Rod End	1
33	2-00-00235	Screw, 3/8 - 16 x 1.750 HHC	1
34	2-00-02369	Nut, Hex Jam 3/8 - 16 x .562 x .218	1
35	2-00-02079	Roller Bearing Cone and Seal	1
36	2-00-02562	Lubrication Fitting, 45° Drive 3/16	1
*	Service Part		

HYDRAULIC HOSE SYSTEM - VARIABLE DUMP (BATTERY)



KEY NO.	PART NUMBER	DESCRIPTION	QTY
1	8-33-02130	Hose (Side Broom to Manifold)	2
2	8-33-02125	Hose (Manifold to Main Broom)	1
3	8-33-02131	Hose (Forward/Reverse Valve to Manifold)	1
4	8-33-02126	Hose (Main Broom to Blower)	1
5	8-33-02101	Hose (Control Valve to Manifold)	1
6	8-33-02141	Hose (Pump to Forward/Reverse Valve)	1
7	8-33-02127	Hose (Forward/Reverse Valve to Drive Wheel)	2
8	8-33-02144	Hose (Reservoir to Pump)	1
9	8-87-02053	Tubing (Case Drain Blower Motor to Reservoir)	1
10	8-33-02137	Hose (Manifold to Reservoir)	1
11	8-33-02128	Hose (Blower to Manifold)	1
12	8-33-02046	Hose,	1
13	8-33-02070	Hose, Pilot Check	3
14	8-33-02117	Hose, (Control Valve to Bottom Cyl.)	3
15	8-33-02064	Hose, (Pump to Control Valve)	1
16	7-33-02108	Hose, (Control Valve to Reservoir)	1

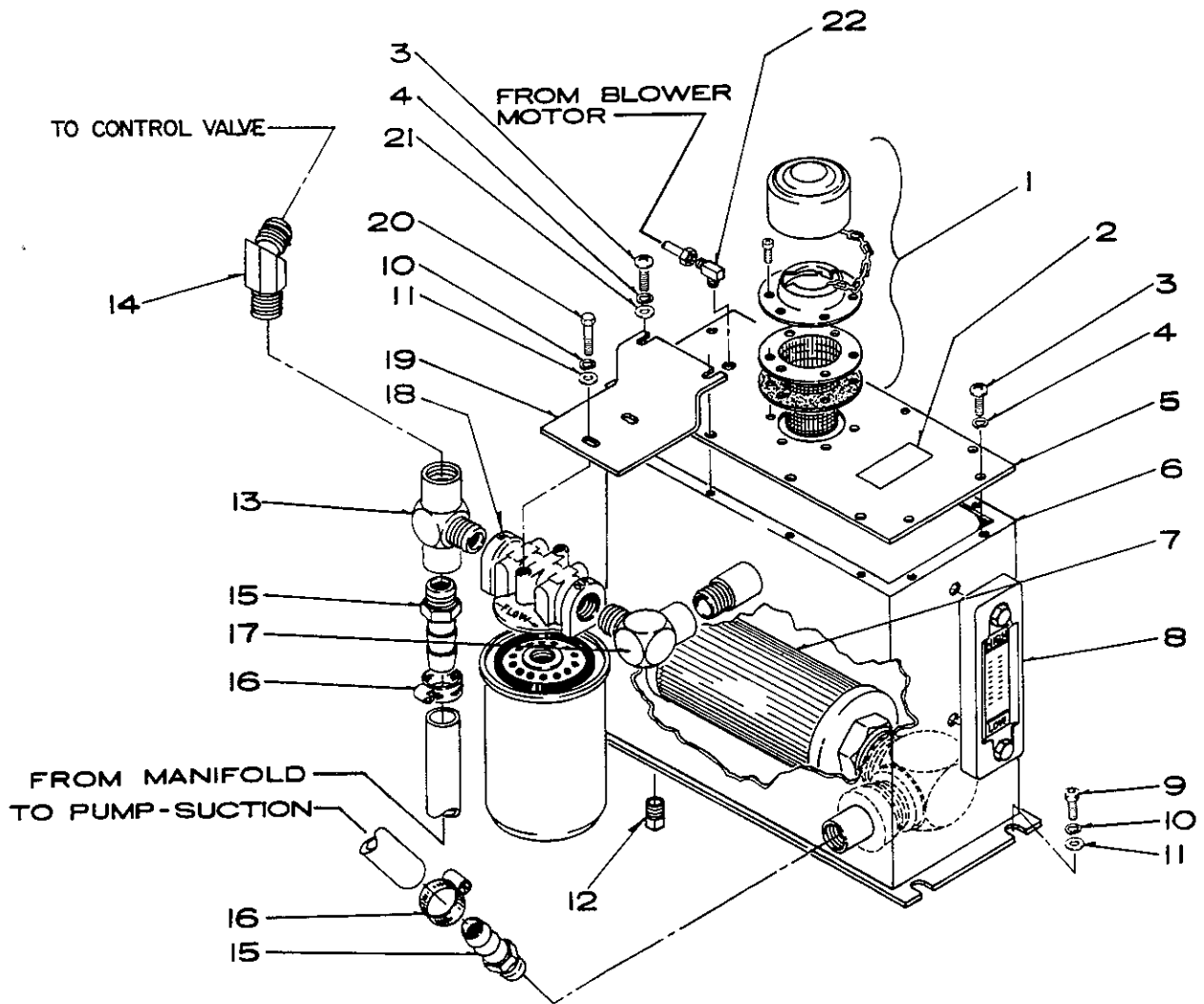
HYDRAULIC HOSE SYSTEM - LOW DUMP (BATTERY)



P-3942-1

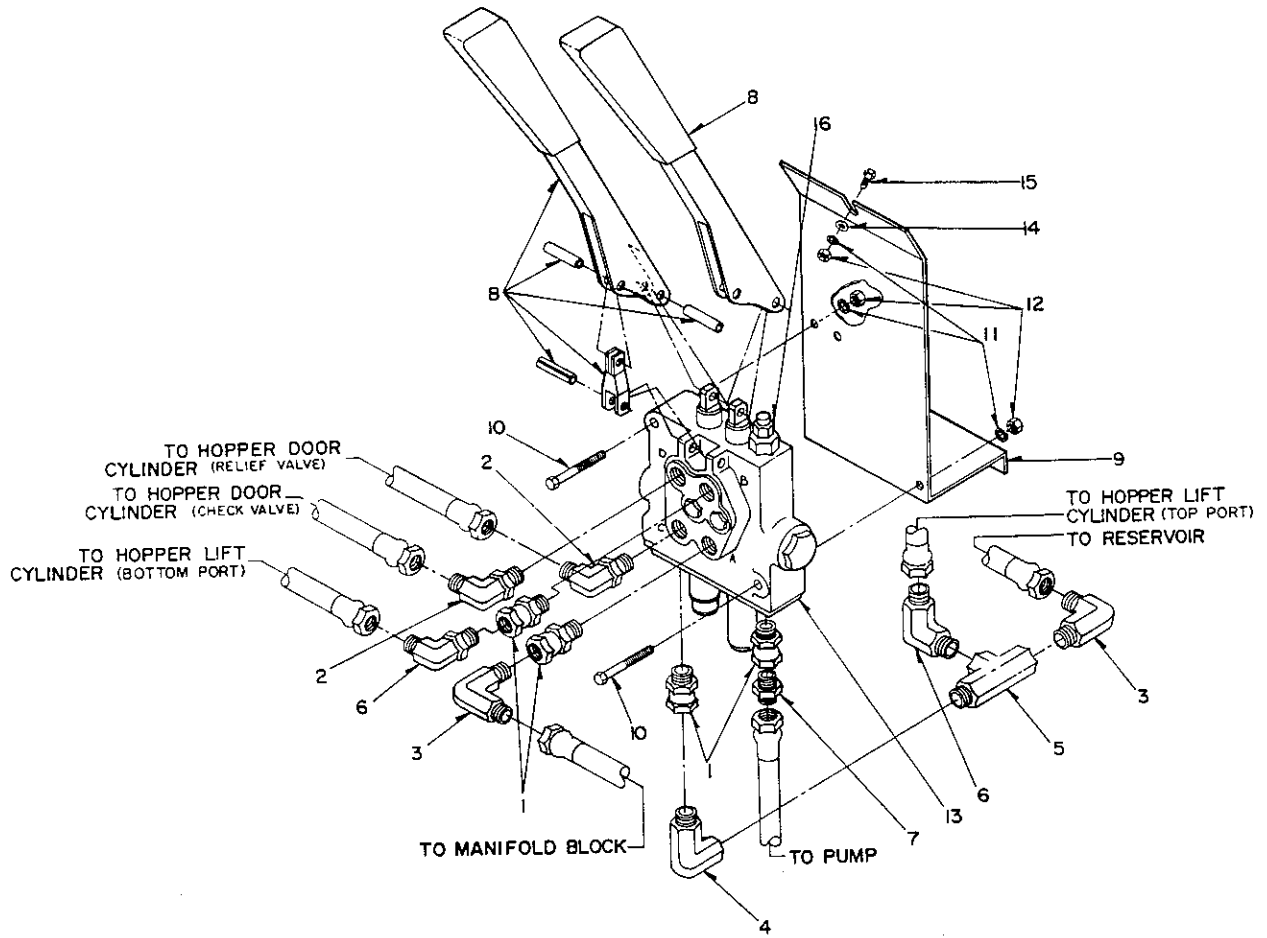
KEY NO.	PART NUMBER	DESCRIPTION	QTY
1	8-33-02130	Hose (Side Broom to Manifold)	2
2	8-33-02125	Hose (Manifold to Main Broom)	1
3	8-33-02131	Hose (Forward/Reverse Valve to Manifold)	1
4	8-33-02126	Hose (Main Broom to Blower)	1
5	8-33-02101	Hose (Control Valve to Manifold)	1
6	8-33-02141	Hose (Pump to Forward/Reverse Valve)	1
7	8-33-02127	Hose (Forward/Reverse Valve to Drive Wheel)	2
8	8-33-02144	Hose (Reservoir to Pump)	1
9	8-87-02053	Tubing (Case Drain Blower Motor to Reservoir)	1
10	8-33-02137	Hose (Manifold to Reservoir)	1
11	8-33-02128	Hose, (Blower to Manifold)	1
12	8-33-02064	Hose, (Pump to Control Valve)	1
13	7-33-02108	Hose, (Control Valve to Reservoir)	1
14	8-33-02054	Hose, (Control Valve to Bottom Cyl.)	1
15	8-33-02117	Hose, (Control Valve to Top Cyl.)	1

RESERVOIR



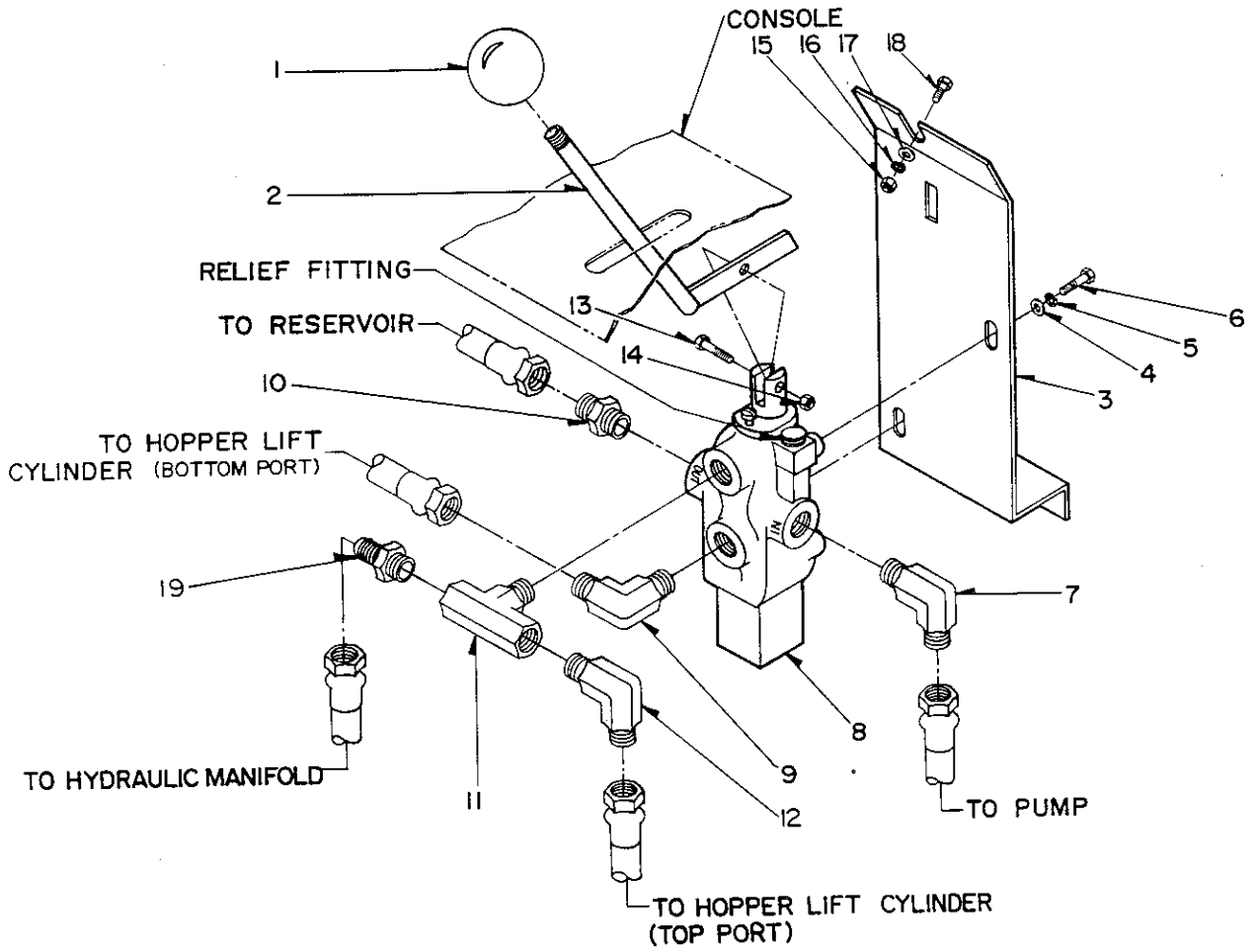
KEY NO.	PART NUMBER	DESCRIPTION	QTY
1	8-11-00026	Filler, Breather Cap	1
		Screw, #10 - 32 Self Tapping	6
2	8-18-00306	Decal	1
3	2-00-00049	Screw, #10 - 24 x .500 RHM	12
4	2-00-00519	Lock Washer, Helical Spring #10 Med	12
5	8-16-07247	Cover	1
6	8-83-04025	Reservoir	1
7	8-24-04065	Strainer, Solution	1
8	8-48-05034	Sight Level Gauge	1
9	2-00-03038	Screw, 1/4 - 20 x 5.000 HSHC	4
10	2-00-00518	Lock Washer, Helical Spring 1/4 Med	6
11	2-00-03702	Flat Washer, .625 x .281 x .062	6
12	2-00-02474	Pipe Plug, 1/2 NPT	1
13	2-00-04467	Male Branch Tee, 3/4-14 M to F	1
14	2-00-04361	37° JIC 45° Male Elbow, 3/4-14 / 3/4-16	1
15	7-25-02012	Hose Fitting, Barb 3/4-14	2
16	2-00-02220	Hose Clamp, .812 - 1.500	2
17	2-00-04469	Street Elbow 90°, 3/4-14	1
18	7-24-04013	Filter Assembly	1
	7-24-04014	Filter, Element	1
19	8-08-00482	Filter, Bracket	1
20	2-00-00220	Screw, 1/4 - 20 x .625 HHC	2
21	2-00-00426	Flat Washer, .500 x .218 x .625	2
22	2-95-01292	Compression Male 90° Elbow, 1/4	1

CONTROL VALVE - VARIABLE DUMP



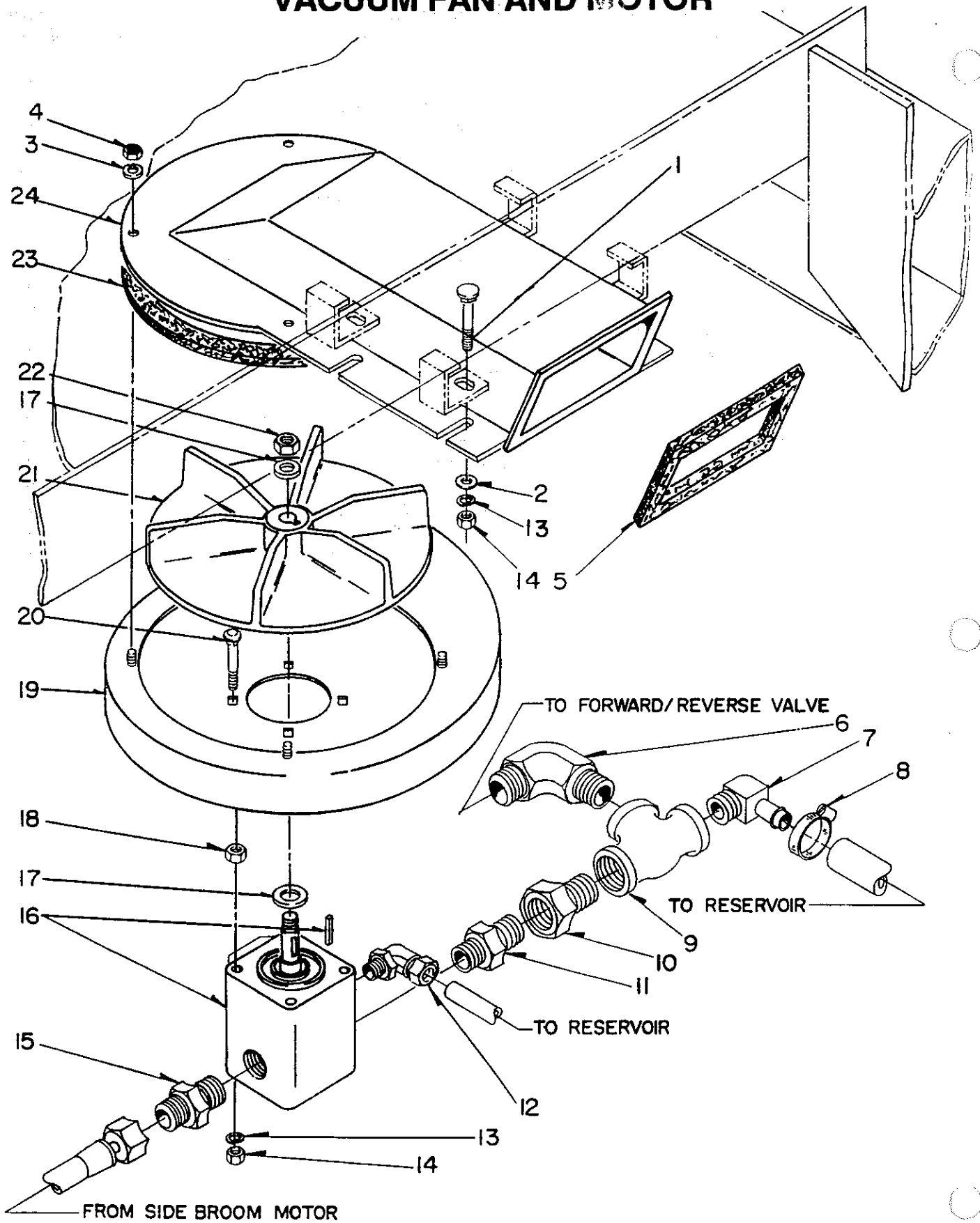
KEY NO.	PART NUMBER	DESCRIPTION	QTY
1	2-00-04640	37° JIC Swivel Adapter, 9/16-18 to 1/2-14 NPT	4
2	2-00-04595	37° JIC Str.Thread 90° Elbow, 9/16-18	2
3	2-00-04547	37° JIC 90° Elbow M, 3/8-18 / 3/4-16	2
4	2-00-04589	Street Elbow, 90° 3/8-18 M to F	1
5	2-00-04462	Street Tee, 3/8-18 M to F	1
6	2-00-04472	37° JIC 90° Elbow M, 3/8-18 / 9/16-18	2
7	2-00-04548	37° JIC Male Connector, 3/8-18 / 3/4-16	1
8	7-31-06063	Handle Kit	2
9	8-58-05245	Valve Mounting Plate	1
10	2-00-02589	Screw, 1/4 - 20 x 2.000 HHC	2
11	2-00-00518	Lock Washer, Helical Spring 1/4 Med	4
12	2-00-00594	Nut, Hex 1/4 - 20 x .437 x .218	4
13	8-88-00048	Control Valve	1
14	2-00-03702	Flat Washer, .625 x .281 x .062	2
15	2-00-00220	Screw, 1/4 - 20 x .625 HHC	2
16	8-76-00069	Relief Spring (Battery & Diesel)	1

CONTROL VALVE - LOW DUMP



KEY NO.	PART NUMBER	DESCRIPTION	QTY
1	8-39-00002	Knob	1
2	8-41-05069	Valve Lever	1
3	8-08-00634	Valve Mounting Bracket	1
4	2-00-00410	Flat Washer, .875 x .375 x .062	2
5	2-00-00511	Lock Washer, #6 Int.	2
6	2-00-00231	Screw, 3/8 - 16 x .625 HHC	2
7	2-00-04215	37° JIC 90° Elbow M, 3/4-14 / 3/4-16	1
8	8-88-00011	Control Valve	1
9	2-00-04500	37° JIC 90° Elbow M, 1/2-14 - 9/16-18	1
10	2-00-04362	37° JIC Male Connector, 3/4-14 / 3/4-16	1
11	2-00-04497	Male Branch Tee, 1/2-14, M to F	1
12	2-00-04216	37° JIC 90° Elbow M, 1/2-14 / 3/4-16	1
13	2-00-02588	Screw, 1/4 - 20 x 1.125 HHC	1
14	2-00-00641	Nut, Hex Fiber Insert 1/4 - 20	1
15	2-00-00594	Nut, Hex 1/4 - 20 x .437 x .218	2
16	2-00-00518	Lock Washer, Helical Spring 1/4 Med	2
17	2-00-03702	Flat Washer, .625 x .281 x .062	2
18	2-00-00220	Screw, 1/4 - 20 x .625 HHC	2
19	2-00-04528	37° JIC Male Connector, 1/2-14 / 3/4-16	1

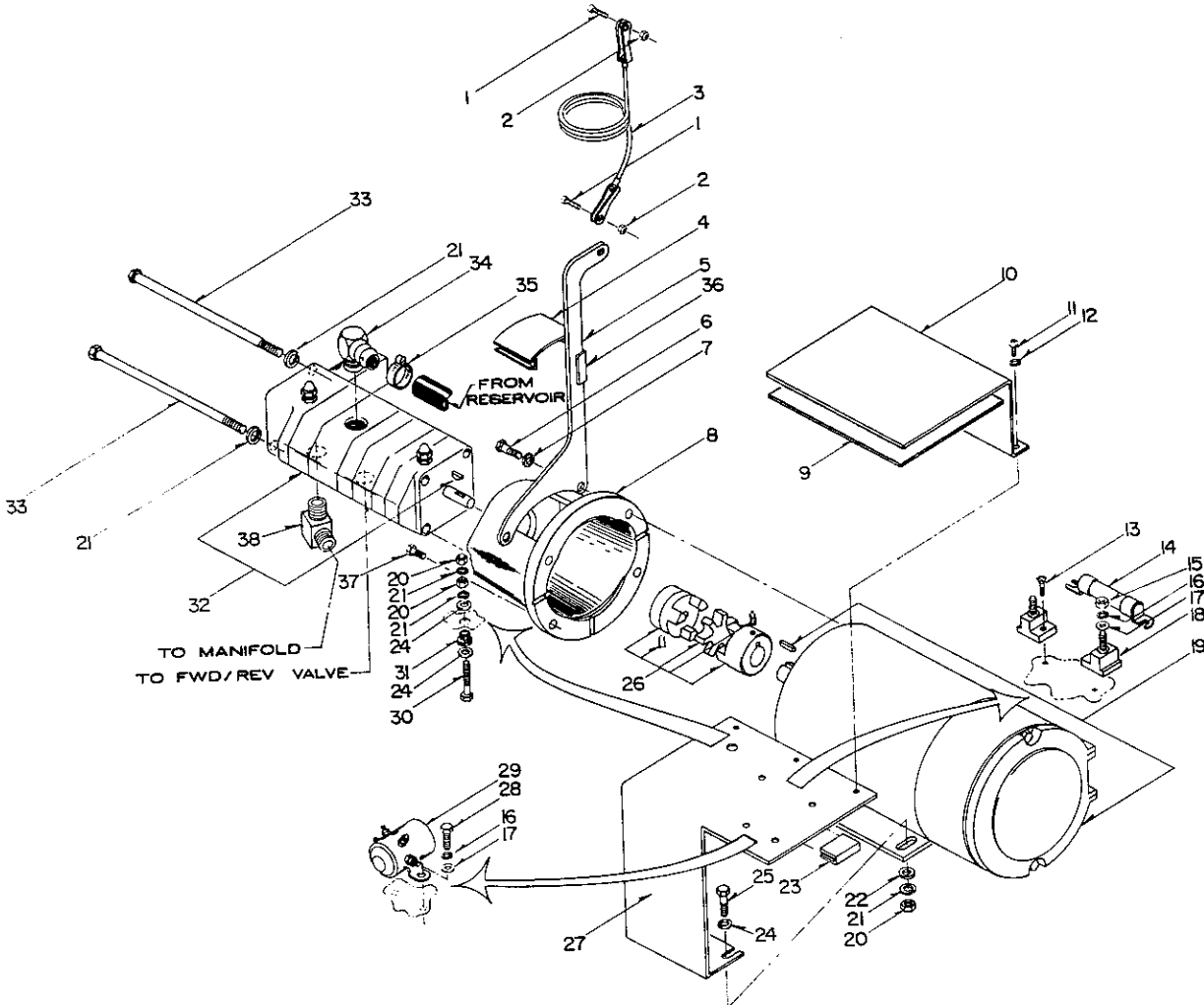
VACUUM FAN AND MOTOR



P-3944

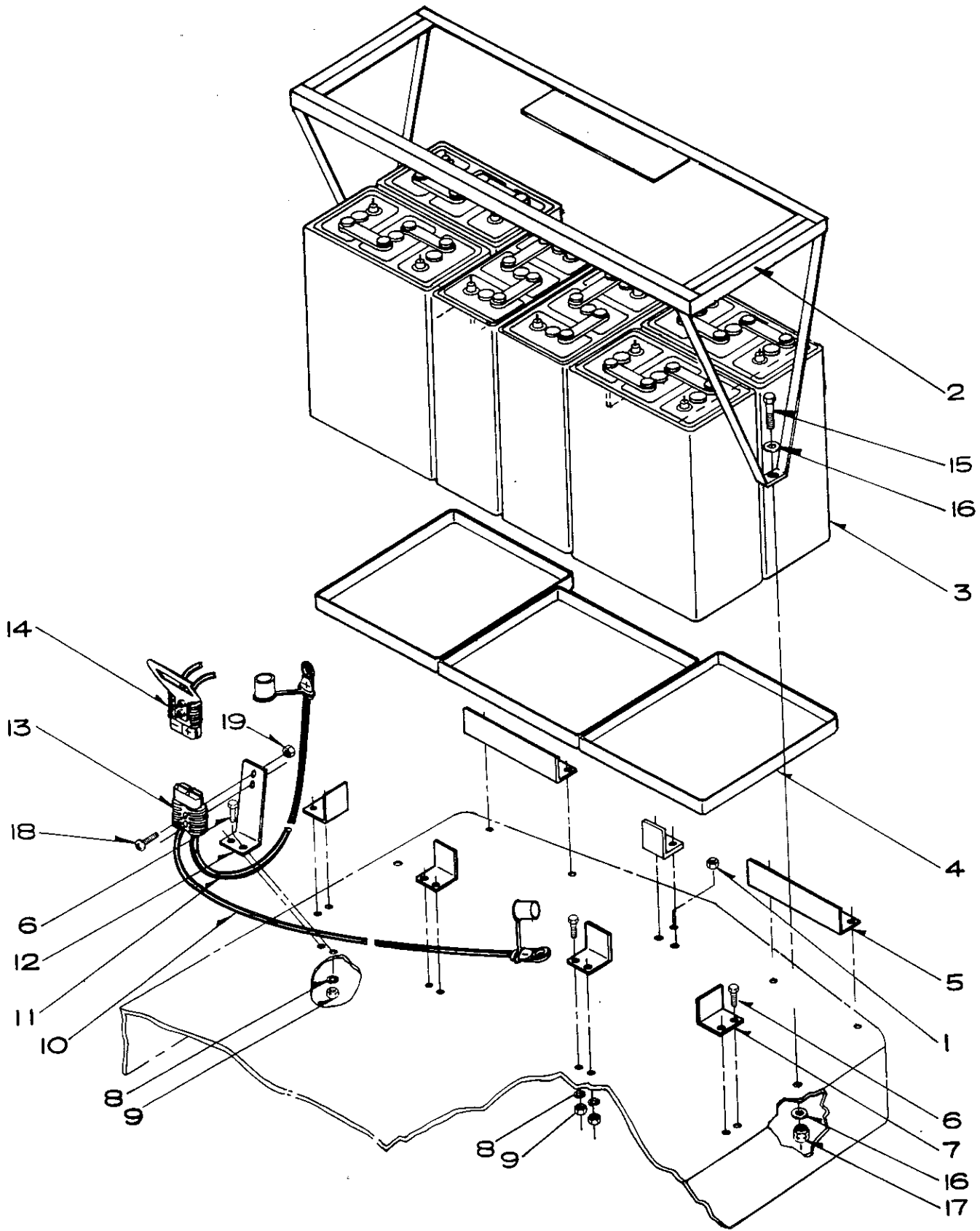
KEY NO.	PART NUMBER	DESCRIPTION	QTY
1	2-00-03569	Carriage Bolt, 5/16-18 x .750 HHC	4
2	2-00-03702	Flat Washer, .625 x .281 x .062	4
3	2-00-00518	Lock Washer, Helical Spring 1/4 Med	4
4	2-00-00594	Nut, Hex 1/4 - 20 x .437 x .218	4
5	8-29-00144	Gasket, Vacuum Motor Duct	1
6	2-00-04215	37° JIC 90° Elbow M, 3/4-14 / 3/4-16	1
7	7-25-02038	90° Barb Stem, 3/4-14	1
8	2-00-02220	Hose Clamp, .812 - 1.500	1
9	2-00-03725	Pipe Tee, 3/4 NPT	1
10	2-00-04474	Pipe Thread Reducer, 3/4-14M - 1/2-12F	1
11	2-00-04576	Pipe Nipple, 1/2-14 x 1.89	1
12	2-95-01292	Compression Male 90° Elbow, 1/8	1
13	2-00-00530	Lock Washer, Helical Spring 5/16 Med	8
14	2-00-00585	Nut, Hex 5/16 - 18 x .50 x .265	8
15	2-00-04528	37° Male Connector, 1/2-14 to 3/4-16	1
16	0885-052	Motor, Impeller	1
		Key, .125 x .750 SQ	1
17	2-00-00484	Flat Washer, .625 x .375 x .046	2
18	2-00-02371	Nut, Hex Jam 1/2-13 x .750 x .312	4
19	8-30-05103	Impeller, Shroud	1
20	2-00-04733	Carriage Bolt, 5/16-18 x 3.750	4
21	8-23-00012	Impeller	1
22	2-00-00631	Nut, Hex Fiber Insert 5/16 - 24	1
23	8-29-00111	Gasket, Shroud	1
24	8-20-06032	Blower Tube	1

MOTOR AND PUMP - BATTERY



KEY NO.	PART NUMBER	DESCRIPTION	QTY
1	2-00-00051	Screw, 1/4 - 20 x .750 RHM	2
2	2-00-00641	Nut, Hex Fiber Insert 1/4 - 20	2
3	8-10-00027	Cable	1
4	8-16-07268	Cover	1
5	8-08-00501	Bracket - Cable	1
6	2-00-00209	Screw, 3/8 - 16 x 1.250 HHC	2
7	2-00-02310	Lock Washer, Helical Spring 3/8 Med	4
8	8-33-05091	Housing	1
9	8-50-05048	Pad	1
10	8-16-07252	Cover	1
11	2-00-00049	Screw, #10 - 24 x .500 RHM	3
12	2-00-00519	Lock Washer, Helical Spring #10 Med	3
13	2-00-00006	Screw, #10 - 24 x .625 FHM	2
14	8-28-05015	Fuse - A.K.C. 100 Amp	1
15	2-00-00594	Nut, Hex 1/4-20 x .437 x .218	2
16	2-00-00518	Lock Washer, Helical Spring 1/4 Med	4
17	2-00-03702	Flat Washer, .625 x .281 x .062	4
18	8-06-05004	Terminal Fuse	2
19	0882-031	Motor - 36V	1
	7-08-03152	Motor Brush	4
20	2-00-00585	Nut, Hex 5/16-18 x .500 x .265	6
21	2-00-00531	Lock Washer, Helical Spring 1/2 X.Hvy	8
22	8-75-01149	Spacer, 1.625 x .375 x .375	4
23	8-21-04030	Edging	1
24	2-00-01803	Flat Washer, 1.062 x .328 x .062	6
25	2-00-00225	Screw, 5/16-18 x 1.500 HHC	4
26	8-16-05016	Flexible Coupling	1
	8-75-05018	Hytrek Spider	1
27	8-08-00489	Bracket - Sol. Fuse Support	1
28	2-00-00220	Screw, 1/4-20 x .625 HHC	2
29	2-00-04825	Solenoid - Run	1
30	2-00-00218	Screw, 5/16-18 x 2.000 HHC	1
31	8-75-01148	Isolator	1
32	8-60-05014	Hydraulic Pump	1
33	2-00-05002	Screw, 5/16-18 x 6.500 HHC	2
34	2-00-04751	Hose Fitting 90° NPTF Swivel Male, 3/4-14	1
35	2-00-02220	Hose Clamp, .812 - 1.500	1
36	8-21-04044	Edging	1
37	2-00-00233	Screw, 3/8 - 16 x 1.000 HHC	2
38	2-00-04216	37° JIC 90° Elbow M, 1/2-14 / 3/4-16	1

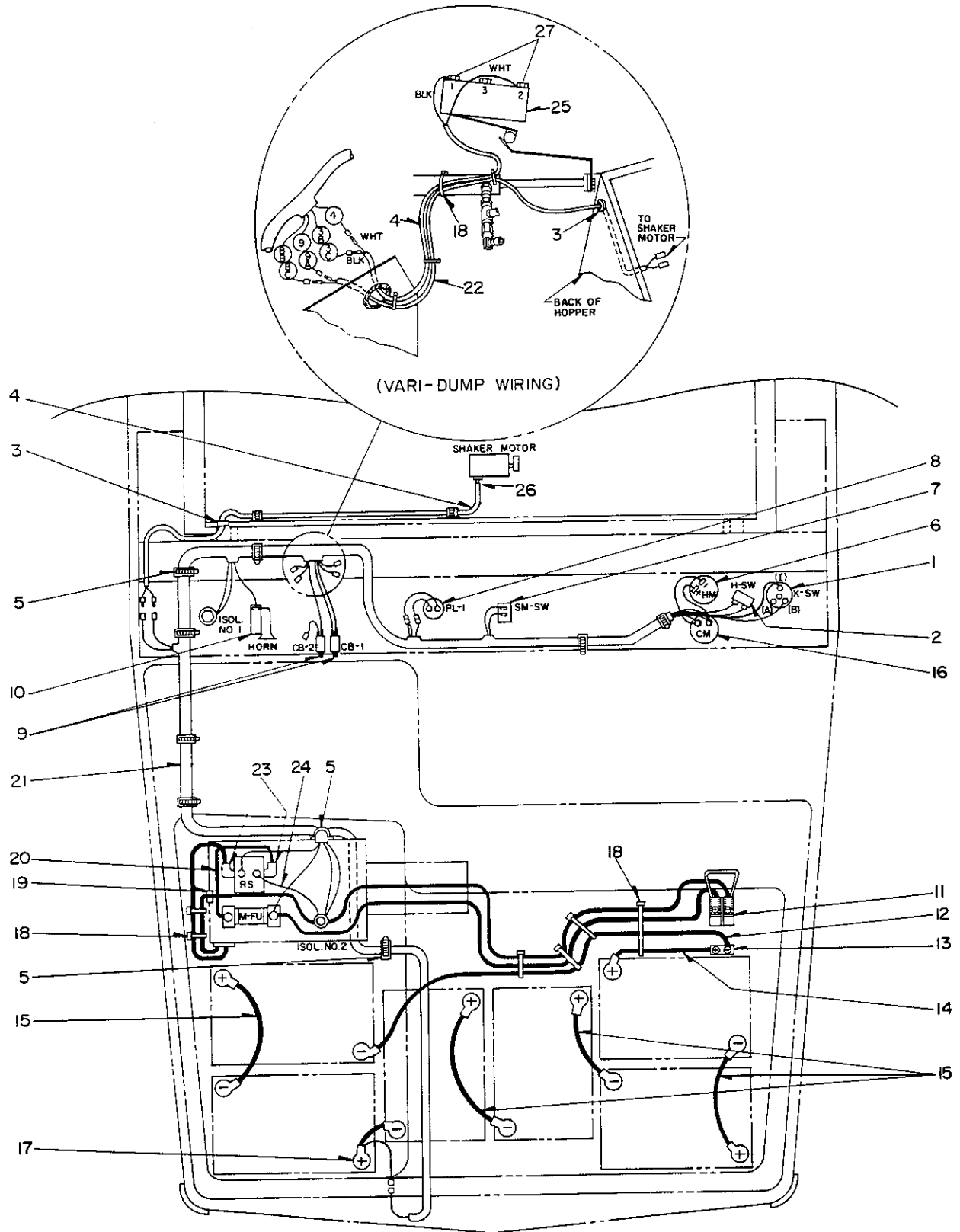
BATTERY INSTALLATION



P-3946-2

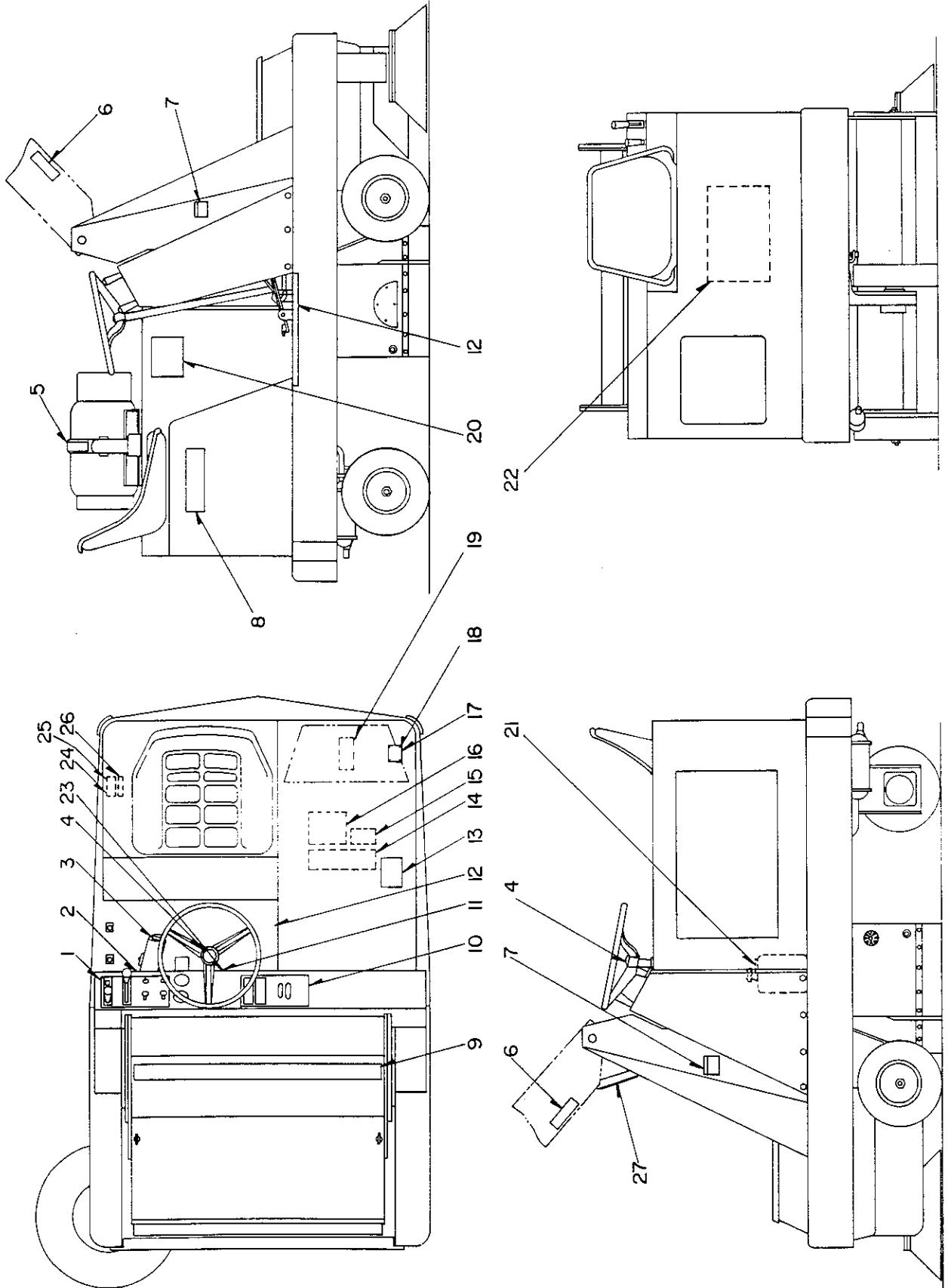
KEY NO.	PART NUMBER	DESCRIPTION	QTY
1	2-00-00586	Nut, Hex Jam 5/16 - 18 x .500 x .187	1
2	8-27-07074	Battery Retainer Frame	1
3	0875-071-1	Battery "Wet"	6
3	0875-072-1	Battery "Dry" (Export)	6
4	8-51-05013	Tray	3
5	8-65-00036	Rear Battery Retainer	2
6	2-00-00220	Screw, 1/4 - 20 x .625 HHC	12
7	8-78-05017	Battery Locator Stop	5
8	2-00-00518	Lock Washer, Helical Spring 1/4 Med	12
9	2-00-00594	Nut, Hex 1/4 - 20 x .437 x .218	12
10	8-90-07306	Wire, 36V (-) To ANDERSON Connector	1
11	8-90-07307	Wire, 36V (+) To ANDERSON Connector	1
12	8-08-00492	ANDERSON Connector Bracket	1
13	2-00-04753	ANDERSON Connector	1
14	0875-070	Connector Assembly	1
15	2-00-00209	Screw, 3/8 - 16 x 1.250 HHC	2
16	2-00-00402	Flat Washer, .750 x .390 x .093	4
17	2-00-00643	Nut, Hex Fiber Insert 3/8 - 16	2
18	2-00-00060	Screw, 1/4 - 20 x 1.250 RHM	2
19	2-95-01915	Nut, Hex Hy. Jam 1/4 - 20 x .500 x .171	2
NS	0875-075	Adapter Connector	1
NS	0775-155	Battery Charger (115V, 60HZ)	1
NS	0775-158	Battery Charger (230V, 50HZ)	1

WIRING PARTS LIST - BATTERY



KEY NO.	PART NUMBER	DESCRIPTION	QTY
1	8-82-00042	Key Switch (K-SW)	Ref
2	8-82-00028	Horn Switch (H-SW)	Ref
3	2-00-01657	Rubber Grommet .44 x .56	Ref
4	8-90-07381	Wire Assembly, LD Shaker Motor, VD to Limit Switch	1
5	7-13-07096	Adjustable Clamp	10
6	8-48-05009	Hour Meter (HM)	Ref
7	8-82-00045	Shaker Motor Switch (SM-SW)	Ref
8	7-40-05018	Pilot Light (PL-1) (Variable Dump Only)	Ref
9	8-64-00008	Circuit Breaker, (CB-1 & CB-2)	Ref
10	8-32-09013	Horn	Ref
11	0875-070	Connector Assembly	Ref
12	8-90-07306	Wire, 36 V (-) to Anderson Connector	Ref
13	2-00-04753	Anderson Connector	Ref
14	8-90-07307	Wire, 36 V (+) to Anderson Connector	Ref
15	8-90-07305	Battery Connector Wire	4
16	7-48-05023	Condition Meter (CM)	Ref
17	8-90-07309	Wire, Battery Connector - 12V Tap	1
18	2-00-04345	Nylon Wire Ty-Wrap	6
19	8-21-04030	Edging	Ref
20	8-90-07308	Wire, Run Solenoid to 100 Amp Fuse	1
21	0895-093	Battery Harness	1
22	8-90-07382	Wire Assembly, Shaker Motor (Variable Dump Only)	1
23	2-00-04203	Boot	2
24	8-90-07304	Wire, Run Solenoid to Isol. #2	1
25	7-82-00009	Limit Switch (LS-D) (Variable Dump Only)	Ref
26	2-00-04440	Terminal (Low Dump Only)	2
27	2-00-04742	Terminal (Variable Dump Only)	2
NS	0875-074	Connector Adapter (Charger to Batt.)	1

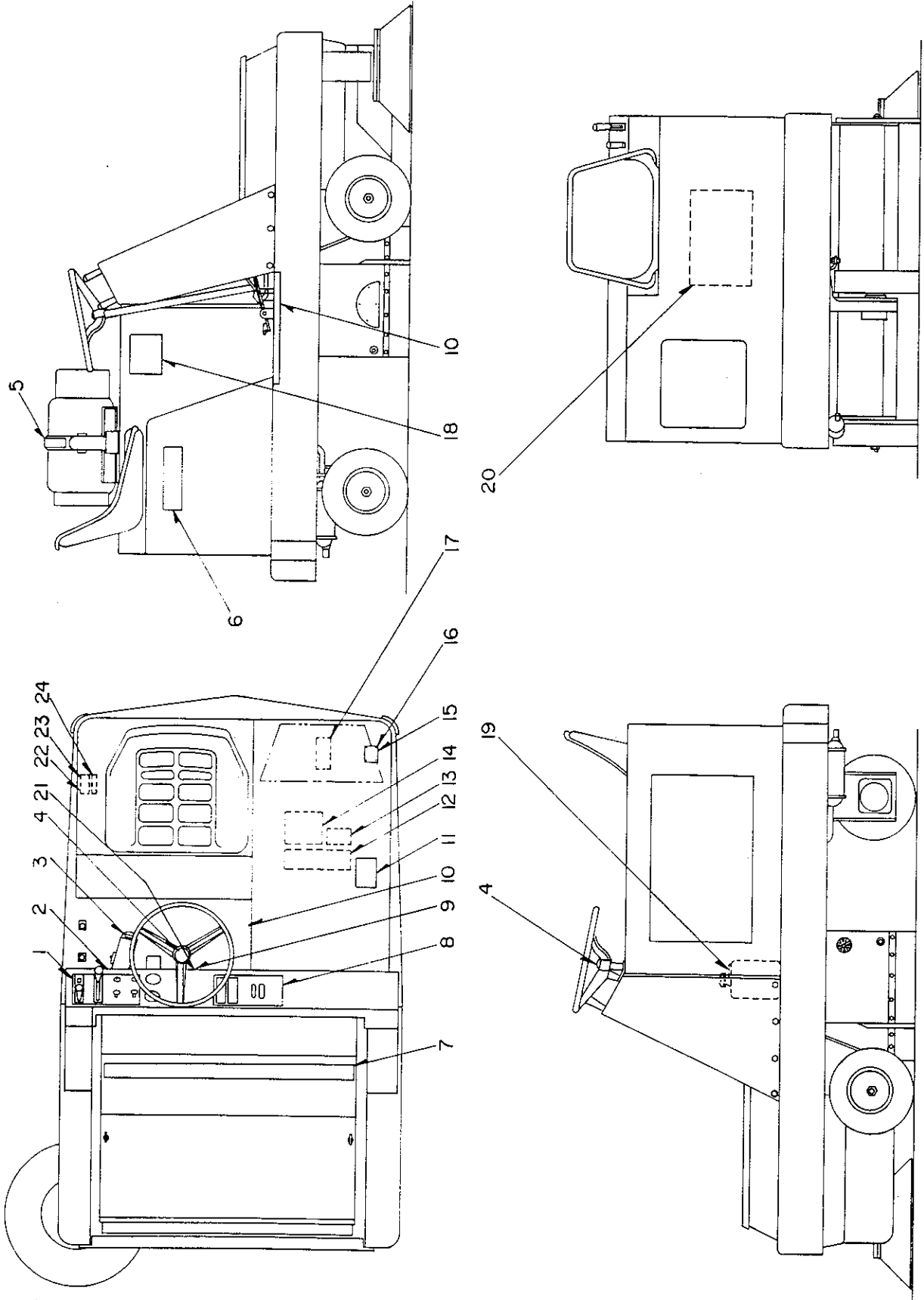
DECALS - VARIABLE DUMP



P-3991-5

KEY NO.	PART NUMBER	DESCRIPTION	QTY
1	8-18-00323	Decal, Engine and Broom Control	1
2	7-40-00005	Decal, Forward	1
3	7-40-00006	Decal, Reverse	1
4	8-18-00066	Decal, Dot	1
5	8-18-00169	Decal, LP Attention (LP ONLY)	1
6	8-18-00330	Decal, Safety Arm	2
7	8-18-00305	Decal, Pinch Point	2
8	8-18-00337	Decal, CLARKE	1
9	8-18-00338	Decal, CLARKE SPS4800	1
10	8-18-00322	Decal, Hopper Control	1
11		Plate, Serial Number - CLARKE	1
12	8-50-05044	Pad, Floor	1
13	8-18-00167	Decal, Caution (LP ONLY)	1
14	8-18-00175	Decal, Battery Instruction (Battery ONLY)	1
15	8-18-00177	Decal, Charging Instructions (Battery ONLY)	1
16	8-18-00176	Decal, Attention (Battery ONLY)	1
17	8-58-05203	Decal, Tank Description (LP ONLY)	1
18	2-00-04115	Blind Rivet (LP ONLY)	4
19	8-18-00326	Decal, Warning - Hot Surfaces	1
20	8-18-00272	Decal, Warning (General)	1
21	8-18-00306	Decal, Hydraulic Fluid Only	1
22	8-18-00335	Decal, Maintenance Chart	1
23	2-00-04734	Rivet	2
24	8-18-00311	Decal, Diesel Fuel (Diesel ONLY)	1
25	8-18-00085	Decal, Caution (Diesel ONLY)	1
26	8-18-00277	Decal, Warning (Gasoline ONLY)	1

DECALS - LOW DUMP

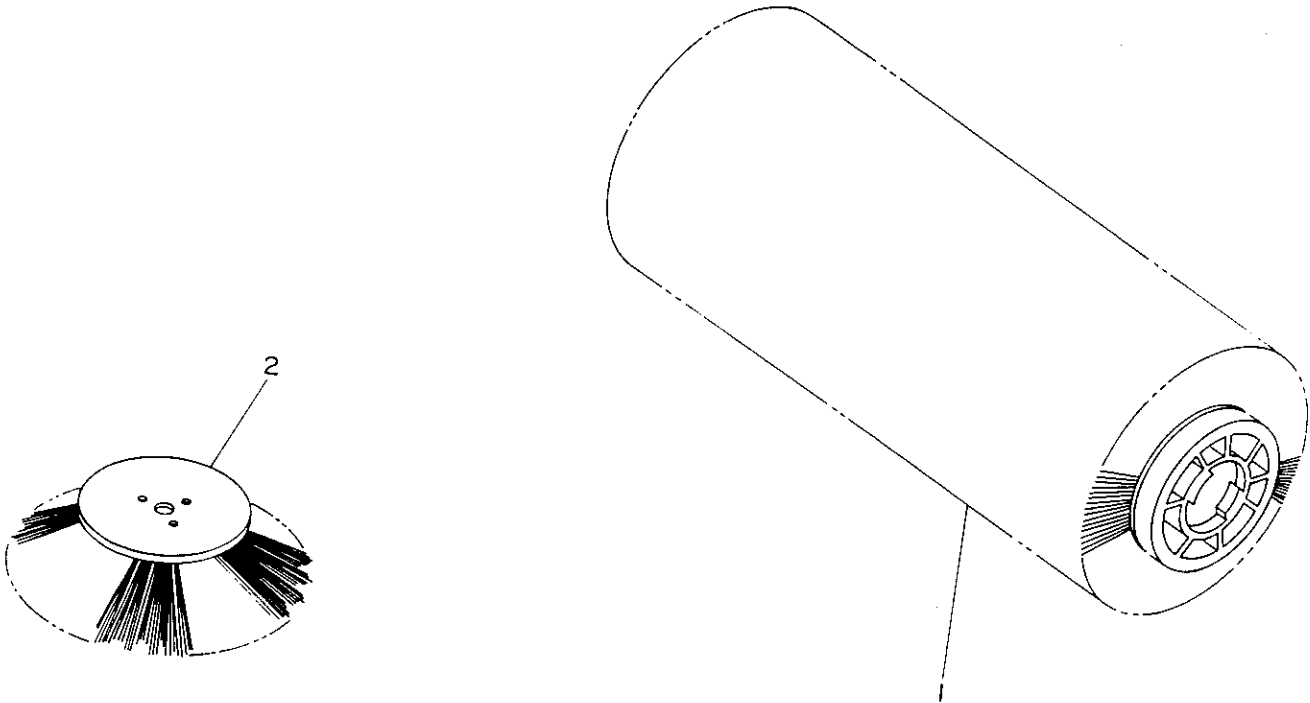


P-3991-6

KEY NO.	PART NUMBER	DESCRIPTION	QTY
1	8-18-00323	Decal, Engine and Broom Control	1
2	7-40-00005	Decal, Forward	1
3	7-40-00006	Decal, Reverse	1
4	8-18-00066	Decal, Dot	1
5	8-18-00169	Decal, LP Attention (LP ONLY)	1
6	8-18-00337	Decal, CLARKE	1
7	8-18-00338	Decal, CLARKE SPS4800	1
8	8-18-00322	Decal, Hopper Control	1
9		Plate, Serial Number - CLARKE	1
10	8-50-05044	Pad, Floor	1
11	8-18-00167	Decal, Caution (LP ONLY)	1
12	8-18-00175	Decal, Battery Instruction (Battery ONLY)	1
13	8-18-00177	Decal, Charging Instructions (Battery ONLY)	1
14	8-18-00176	Decal, Attention (Battery ONLY)	1
15	8-58-05203	Decal, Tank Description (LP ONLY)	1
16	2-00-04115	Blind Rivet (LP ONLY)	4
17	8-18-00326	Decal, Warning - Hot Surfaces	1
18	8-18-00272	Decal, Warning (General)	1
19	8-18-00306	Decal, Hydraulic Fluid Only	1
20	8-18-00335	Decal, Maintenance Chart	1
21	2-00-04734	Rivet	2
22	8-18-00311	Decal, Diesel Fuel (Diesel ONLY)	1
23	8-18-00085	Decal, Caution (Diesel ONLY)	1
24	8-18-00277	Decal, Warning (Gasoline ONLY)	1

KEY NO.	PART NUMBER	DESCRIPTION	QTY
1	8-64-00008	Circuit Breaker, 15 Amp	1
2	2-00-03418	Terminal,	1
3	3-61-00193	Wire, 16 AWG (Red)	15 ft
4	2-00-04808	Terminal,	2
5	8-82-00036	Backup Switch,	1
6	2-00-01128	Terminal,	2
7	8-32-09009	Backup Alarm,	1
8	2-00-00828	Terminal,	1
9	3-61-00189	Wire, 16 AWG (Black)	10 ft
10	8-08-00532	Switch Mounting Bracket	1
11	2-00-00045	Screw, #8 - 32 x .374 RHM	2
12	2-00-00460	Flat Washer, .437 x .192 x .031	2
13	2-00-00529	Lock Washer, Helical Spring #8 Med	2
14	2-00-00602	Nut, Hex MS # 8 - 32 x .343 x .125	2
15	2-00-00222	Screw, 1/4 - 20 x 1.250 HHM	2
16	2-00-00205	Screw, 1/4 - 20 x 1.000 HHM	4
17	2-00-03702	Flat Washer, .625 x .281 x .062	6
18	2-00-00518	Lock Washer, Helical Spring 1/4 Med	6
19	2-00-00594	Nut, Hex 1/4 - 20 x .437 x .218	6
N\S	7-13-07096	Adjustable Clamp	10

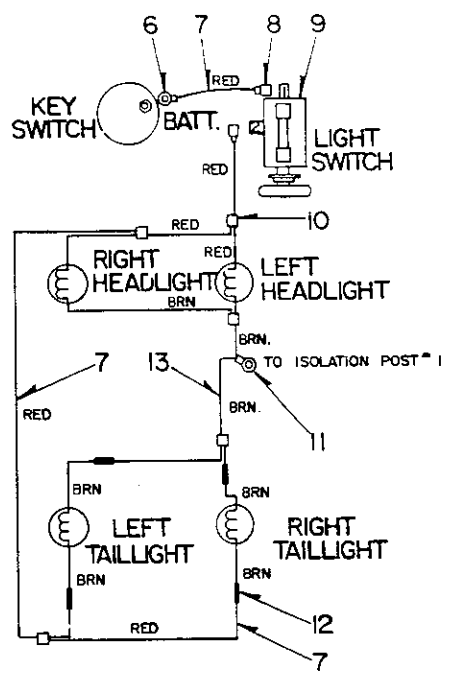
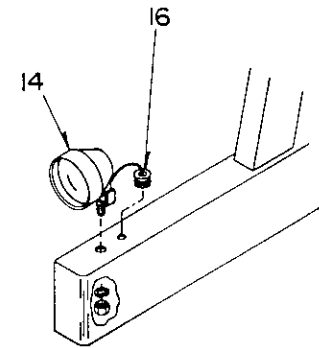
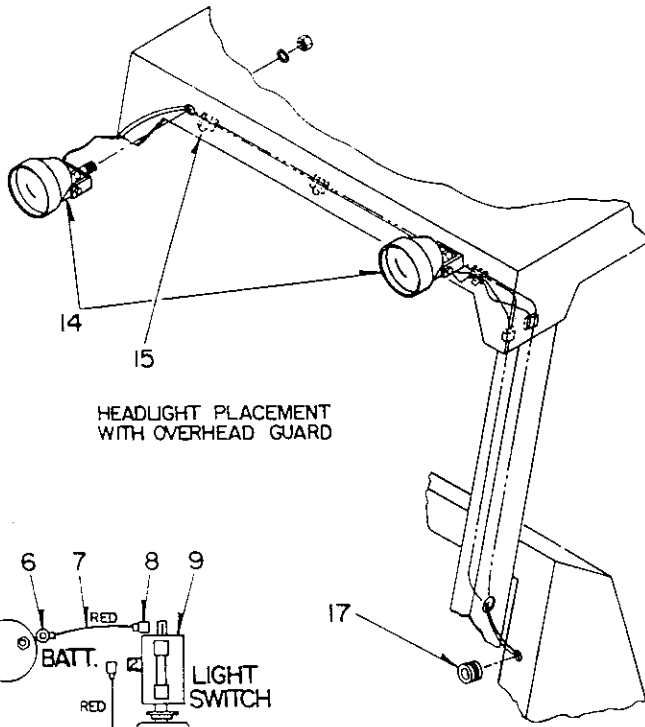
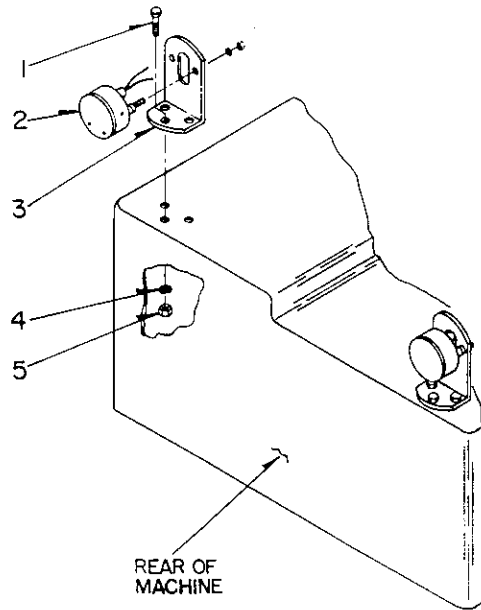
OPTION - BROOMS AND BRUSHES



KEY NO.	PART NUMBER	DESCRIPTION	QTY
1	8-08-03137	Proex (Standard with machine)	1
1	8-08-03141	Proex and Wire	1
1	8-08-03142	Nylon	1
2	8-08-03140	Polypropylene (Standard with machine)	1

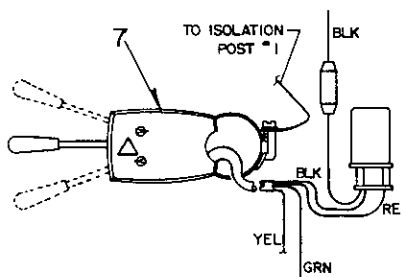
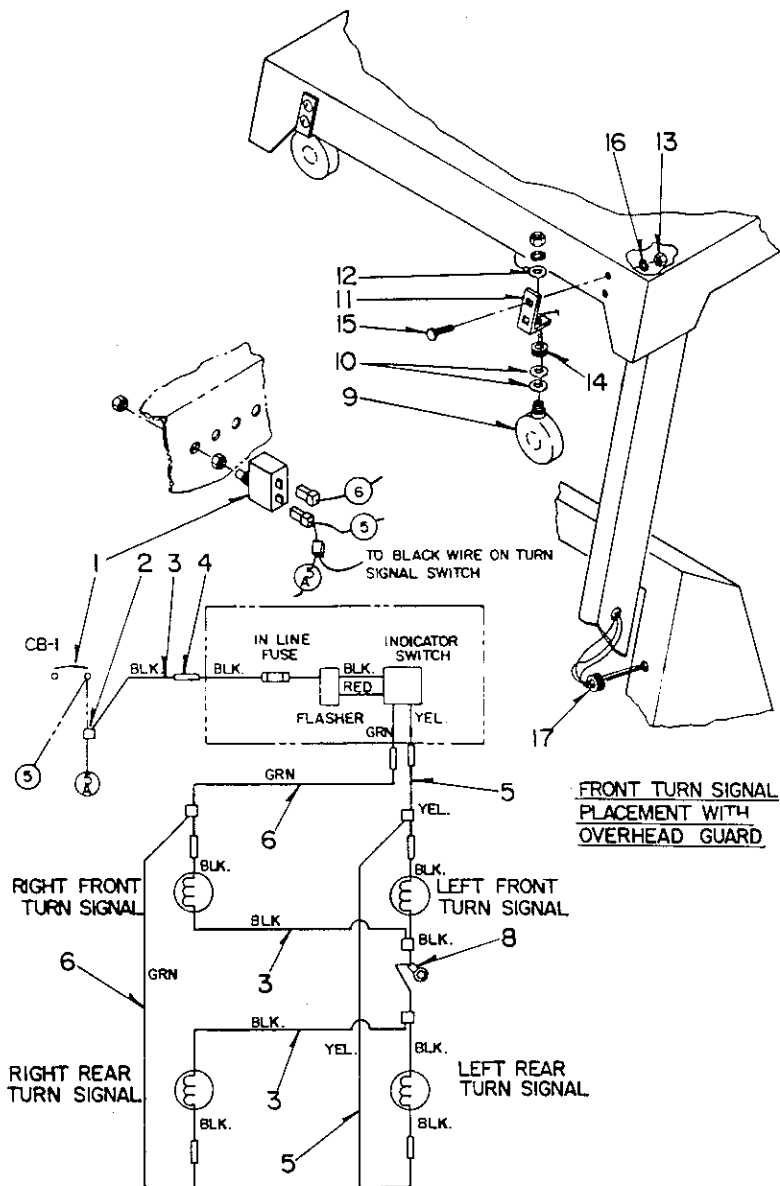
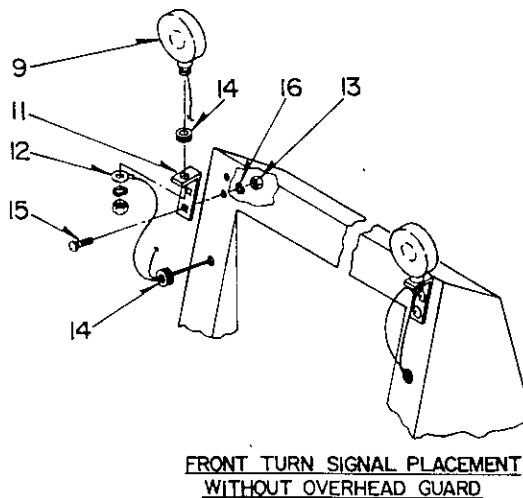
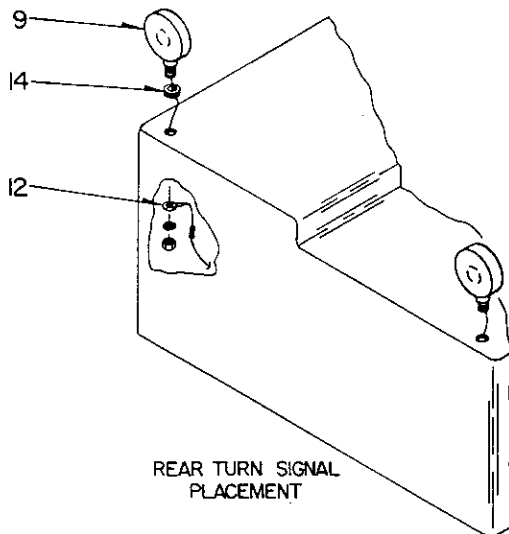
P-4195-1

OPTION HEADLIGHTS AND TAILLIGHTS - BATTERY



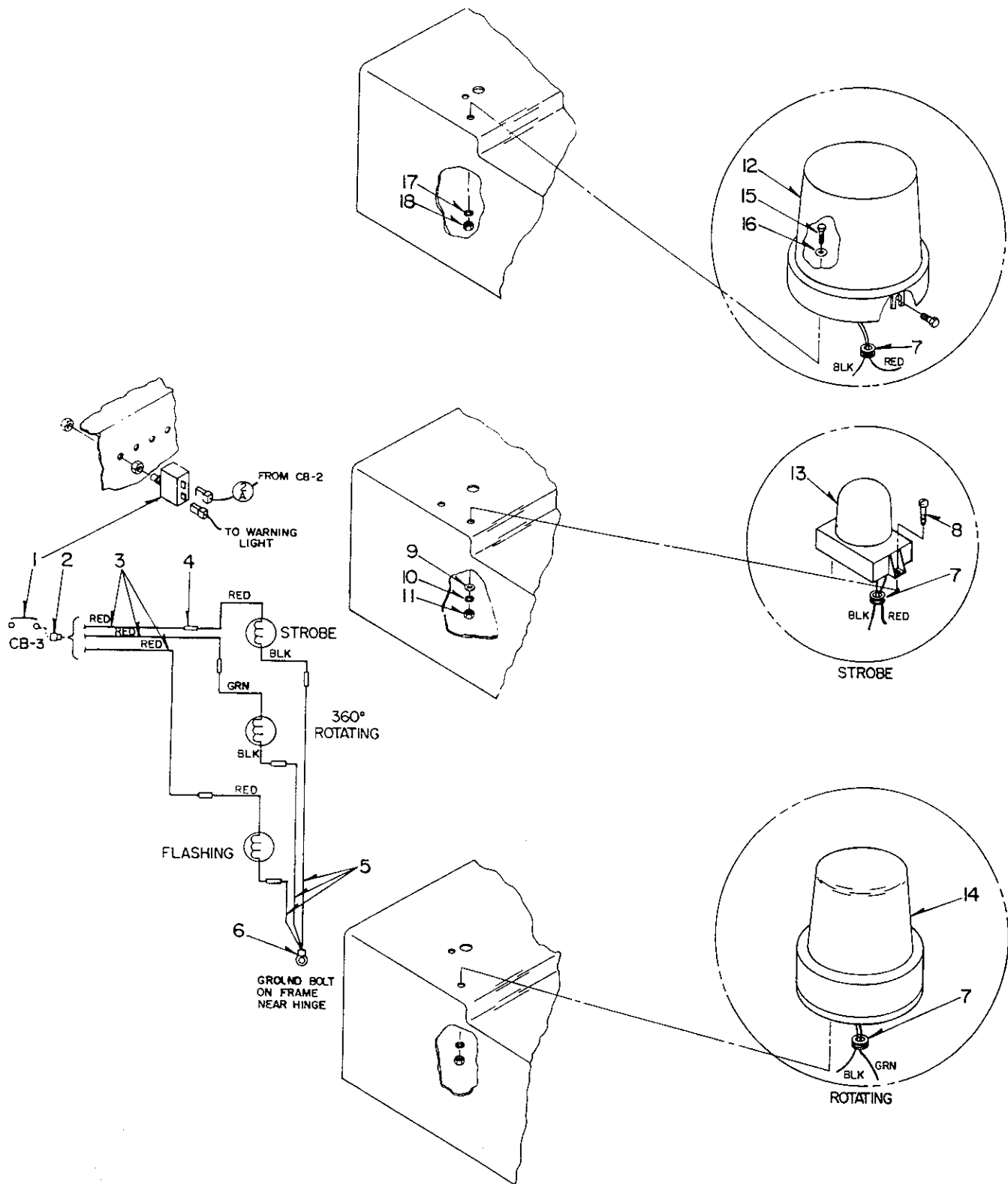
KEY NO.	PART NUMBER	DESCRIPTION	QTY
1	2-00-00221	Screw, 1/4 - 20 x .750 HHC	6
2	8-40-05012	Taillight, 36 Volt	2
3	8-08-00504	Taillight Bracket	2
4	2-00-00518	Lock Washer, Helical Spring 1/4 Med.	6
5	2-00-00594	Nut, Hex 1/4 - 20 x .437 x .218	6
6	2-00-04281	Terminal,	1
7	3-61-00193	Wire, 16 AWG (Red)	10 ft
8	2-00-03418	Terminal,	2
9	8-82-00027	Light Switch,	1
10	2-00-04479	Terminal,	5
11	2-00-00828	Terminal,	2
12	2-00-01128	Terminal,	4
13	3-61-00192	Wire, 16 AWG (Brown)	10 ft
14	8-40-05024	Headlight, 36 Volt	2
15	7-13-07096	Adjustable Clamp,	15
16	2-00-00491	Grommet,	5
17	2-00-04783	Grommet	1

OPTION TURN SIGNALS - BATTERY



KEY NO.	PART NUMBER	DESCRIPTION	QTY
1	8-64-00008	Circuit Breaker, 15 Amp	1
2	2-00-04479	Terminal,	5
3	3-61-00189	Wire, 16 AWG. Black	10 ft
4	2-00-01128	Terminal,	7
5	3-61-00231	Wire, 16 AWG. Yellow	10 ft
6	3-61-00249	Wire, 16 AWG. Green	10 ft
7	8-82-00025	Turn Signal Switch,	1
8	2-00-00828	Terminal,	4
9	8-40-05023	Turn Signal Light,	4
10	2-00-00402	Flat Washer, .750 x .390 x .093	4
11	8-08-00503	Light Bracket,	2
12	2-00-05048	Terminal,	4
13	2-00-00594	Nut, Hex 1/4 - 20 x .437 x .218	2
14	2-00-00491	Grommet,	5
15	2-00-03575	Carriage Bolt, 1/4 - 20 x .750	2
16	2-00-00518	Lock Washer, Helical Spring 1/4 Med	2
17	2-00-04783	Grommet	1
N/S	7-13-07096	Adjustable Clamp,	15

OPTION WARNING LIGHT - BATTERY



FLASHING LIGHT

KEY NO.	PART NUMBER	DESCRIPTION	QTY
1	8-64-00008	Circuit Breaker, 15 Amp	1
2	2-00-03418	Terminal,	3
3	3-61-00193	Wire, 16 AWG (Red)	10 ft
4	2-00-01128	Terminal,	2
5	3-61-00189	Wire, 16 AWG (Black)	5 ft
6	2-00-04282	Terminal,	1
7	2-00-00491	Grommet,	1
12	8-40-05013	Flashing Light (Red)	1
12	8-40-05042	Flashing Light (Amber)	1
15	2-00-00222	Screw, 1/4 - 20 x 1.250 HHM	2
16	2-00-03702	Flat Washer, .625 x .281 x .062	2
17	2-00-00518	Lock Washer, Helical Spring 1/4 Med	2
18	2-00-00594	Nut, Hex 1/4 - 20 x .437 x .218	2
N\S	7-13-07096	Adjustable Clamp	10
0880-428 Red Flashing Warning Light Assembly			
0880-428-1 Amber Flashing Warning Light Assembly			

STROBE LIGHT

KEY NO.	PART NUMBER	DESCRIPTION	QTY
1	8-64-00008	Circuit Breaker, 15 Amp	1
2	2-00-03418	Terminal,	1
3	3-61-00193	Wire, 16 AWG (Red)	10 ft
4	2-00-01128	Terminal,	2
5	3-61-00189	Wire, 16 AWG (Black)	10 ft
6	2-00-00828	Terminal,	1
7	2-00-00491	Grommet,	1
8	2-00-03063	Screw, #10 - 24 x .750 TH	2
9	2-00-00426	Flat Washer, .500 x .218 x .062	2
10	2-00-00519	Lock Washer, Helical Spring #10 Med	2
11	2-00-00605	Nut, Hex MS #10 - 24 x .375 x .125	2
13	8-40-05021	Strobe Light (Red)	1
13	8-40-05038	Strobe Light (Amber)	1
N\S	7-13-07096	Adjustable Clamp	10
0880-429 Red Strobe Warning Light Assembly			
0880-429-1 Amber Strobe Warning Light Assembly			

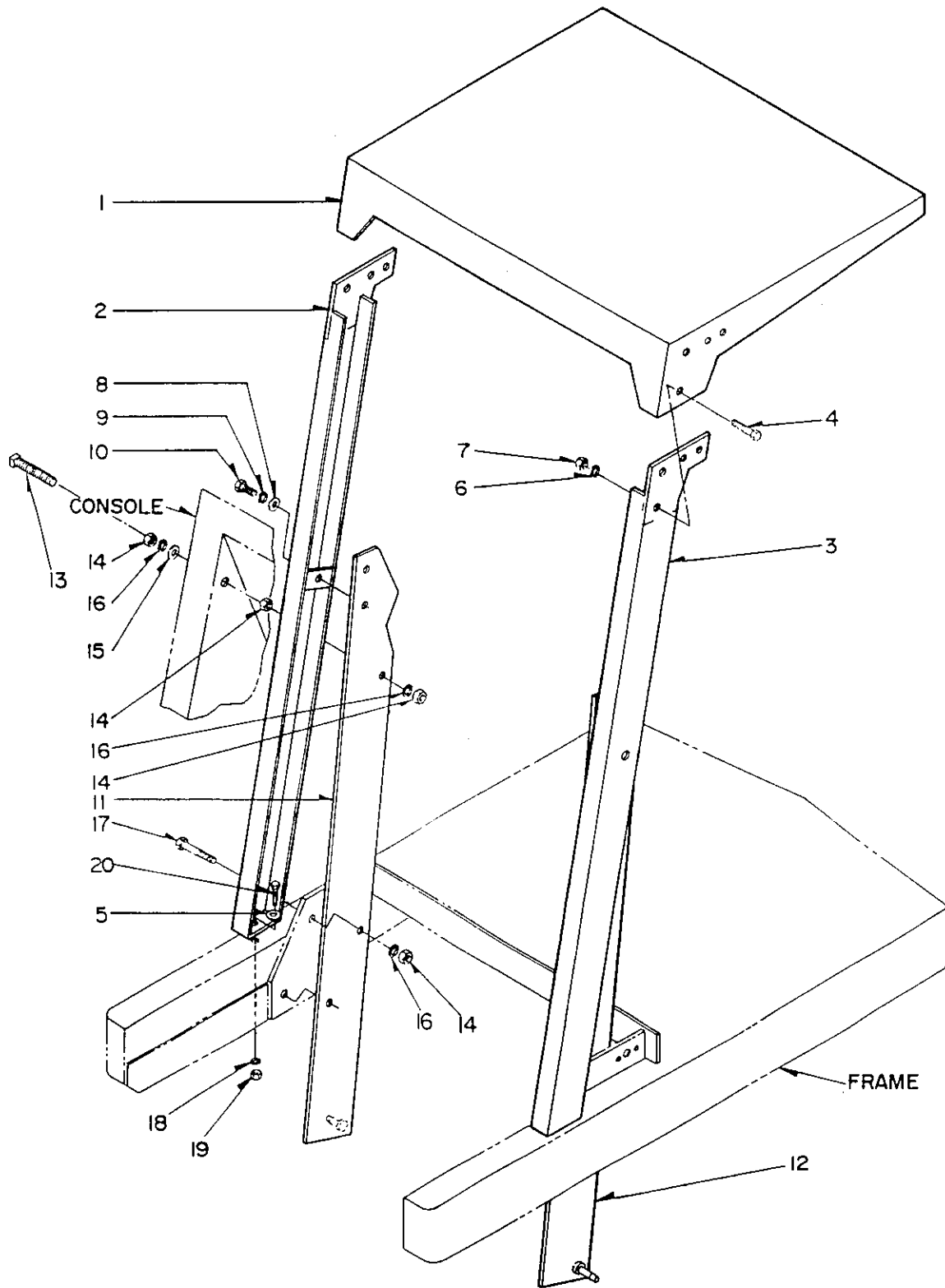
ROTATING LIGHT

KEY NO.	PART NUMBER	DESCRIPTION	QTY
1	8-64-00008	Circuit Breaker, 15 Amp	1
2	2-00-03418	Terminal,	1
3	3-61-00193	Wire, 16 AWG (Red)	10 ft
4	2-00-01128	Terminal,	1
5	3-61-00189	Wire, 16 AWG (Black)	10 ft
6	2-00-00828	Terminal,	1
7	2-00-00491	Grommet,	1
14	8-40-05015	360 ° Rotating Light (Red)	1
14	8-40-05034	360 ° Rotating Light (Amber)	1
N\S	7-13-07096	Adjustable Clamp	10
0880-430 Red 360 ° Rotating Warning Light Assembly			
0880-430-1 Amber 360 ° Rotating Warning Light Assembly			

OPTION

OVERHEAD GUARD - 0880-471 VARIABLE DUMP

- 0880-470 LOW DUMP



KEY NO.	PART NUMBER	DESCRIPTION	QTY
1	8-30-05138	Guard (Red)	1
2	8-81-00153	Right Hand Support (Red)	1
3	8-81-00154	Left Hand Support (Red)	1
4	2-00-00233	Screw, 3/8 - 16 x 1.000 HHC	8
5	2-00-00420	Flat Washer, 1.000 x .515 x .062	2
6	2-00-02310	Lock Washer, Helical Spring 3/8 Med	8
7	2-00-02360	Nut, Hex 3/8 - 16 x .562 x .328	8
8	2-00-04159	Flat Washer, 1.375 x .562 x .109	2
9	2-00-02312	Lock Washer, Helical Spring 1/2 Med	2
10	2-00-00239	Screw, 1/2 - 13 x 1.000 HHC	2
11*	8-03-04269	Right Hand Front Wheel Arm (Red)	1
12*	8-03-04270	Left Hand Front Wheel Arm (Red)	1
13*	2-00-02981	Screw, 1/2 - 13 x 2.500 SH-CP	2
14*	2-00-00596	Nut, Hex 1/2 - 13 x .750 x .437	8
15*	2-00-04159	Flat Washer, 1.375 x .562 x .109	2
16*	2-00-02312	Lock Washer, Helical Spring 1/2 Med	6
17*	2-00-00241	Screw, 1/2 - 13 x 1.750 HHC	2
18	2-00-02311	Lock Washer, Helical Spring 7/16 Med	2
19	2-00-00620	Nut, Hex 7/16 - 14 x .687 x .375	2
20	2-00-00238	Screw, 7/16 - 14 x 1.250 HHC	2
* Items 11 through 17 required for 0880-470 Low Dump			

CLARKE WARRANTY

Clarke warrants this new product to be free of defects in workmanship or materials for a period of one (1) year from date placed in service, but not to exceed two (2) years from date of factory shipment. Liability under this warranty is limited to repairing or replacing, at its option, any part or parts deemed defective by Clarke.

If trouble develops, contact an AUTHORIZED Clarke Service Representative in your area for assistance and/or correction.

For thirty (30) days from date of installation, Clarke will, at its option, provide labor through an AUTHORIZED Clarke Service Representative or pay for outside repair service. Thereafter, Clarke's sole obligation shall be limited to repair or replacement, at Clarke's option, of parts that do not conform to this warranty.

Repair replacement parts are warranted for a period of ninety (90) days from invoice date of such parts and shall not include any labor for installing such parts.

This warranty shall not be in effect if the product has been subject to misuse, abuse, negligence, theft, loss or accident; or if the product has been repaired or altered in such a manner as to effect its original design. This warranty does not cover the replacement of parts inoperative because of wear occasioned by use, nor does it cover the cost of charges incurred without prior factory authorization. Shipping charges incurred on machines or parts will not be assumed by Clarke. This warranty does not cover the free adjustment of any product or part, if such was improperly adjusted or altered by the purchaser.

No warranty is made with respect to items made by others when such items are warranted by their respective makers or when they are supplied by Clarke on special order.

Your purchase invoice governs the effective period of this warranty.

1. NO OTHER WARRANTY, WHETHER EXPRESSED OR IMPLIED, INCLUDING ANY WARRANTY OF MERCHANTABILITY OR FITNESS FOR A PARTICULAR PURPOSE, SHALL EXIST IN CONNECTION WITH THE SALE OR USE OF SAID PRODUCTS.
2. WITHOUT LIMITING THE GENERALITY OF THE FORGOING, CLARKE SHALL UNDER NO CIRCUMSTANCES, BE LIABLE FOR ANY INCIDENTAL OR CONSEQUENTIAL LOSS OR DAMAGE WHATSOEVER ARISING OUT OF, OR IN ANYWAY RELATING TO, ANY SUCH BREACH OF WARRANTY OR CLAIMED DEFECT IN OR NON-PERFORMANCE OF, THE PRODUCTS.
3. SOME STATES DO NOT ALLOW EXCLUSIONS OF INCIDENTAL OR CONSEQUENTIAL DAMAGES, SO THE ABOVE LIMITATIONS AND EXCLUSIONS MAY NOT APPLY TO YOU.
4. THIS WARRANTY CANNOT BE EXTENDED, CHANGED OR MODIFIED BY ANY REPRESENTATIVE OF CLARKE.

Clarke reserves the right to make changes or improvements to its machines without notice.

Always use genuine Clarke Parts for repair.

Clarke

2100 Highway 265
Springdale, Arkansas 72764