

56109178 STEERING SPROCKET SERVICE KIT

SR 5730 Models: ALL
Encore R Models: ALL
114RS Models: ALL

CONTENTS OF KIT

ITEM	PART NO.	QTY	DESCRIPTION
	56040907	1	Instruction Sheet
1	56109177	1	Steering Sprocket Assy

INSTALLATION INSTRUCTIONS

WARNING!

DISCONNECT BATTERIES BEFORE SERVICING.

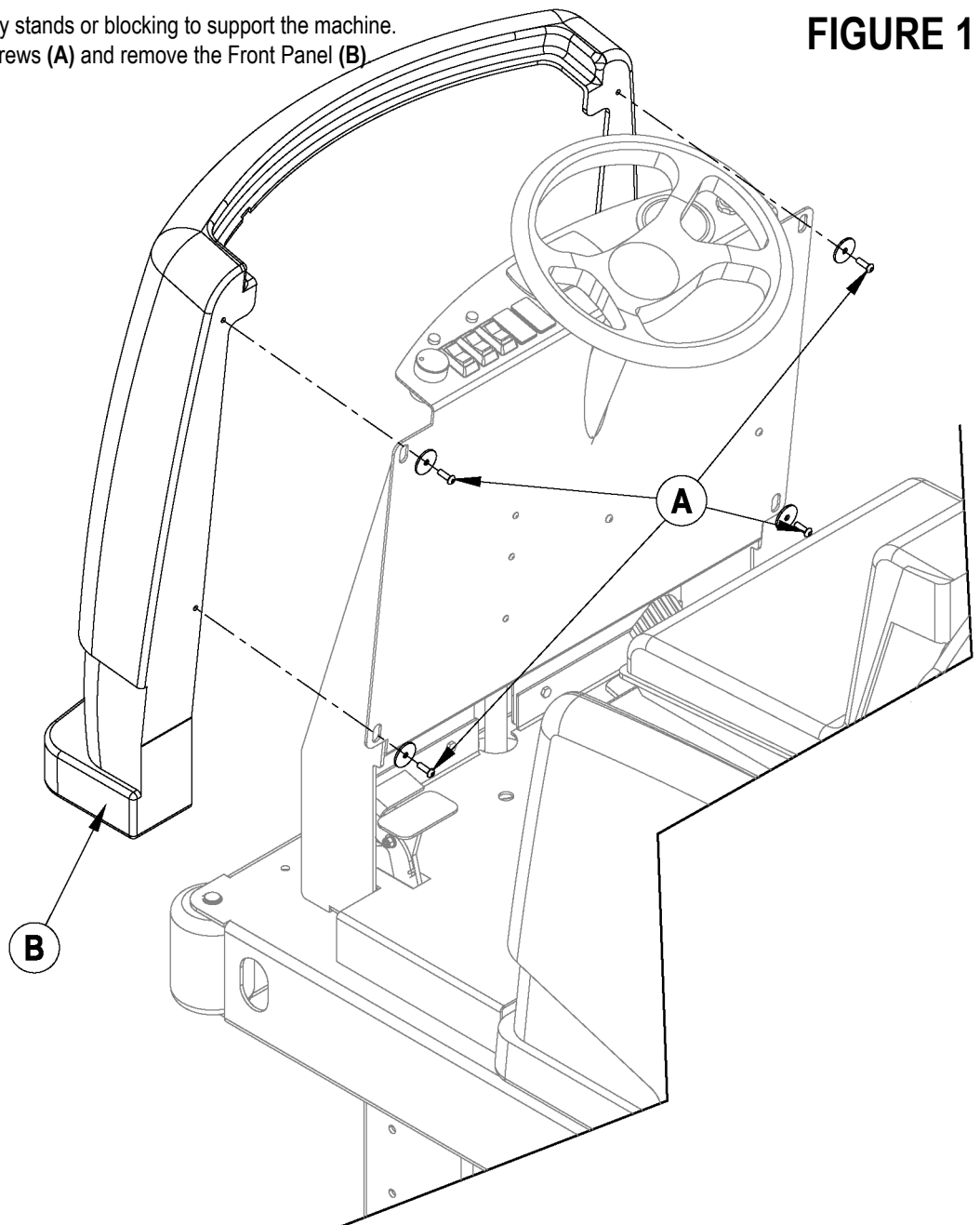
- 1 Jack the front of the machine up about 6" (15.24cm) and prop with jack stands.

WARNING !

Never work under machine without safety stands or blocking to support the machine.

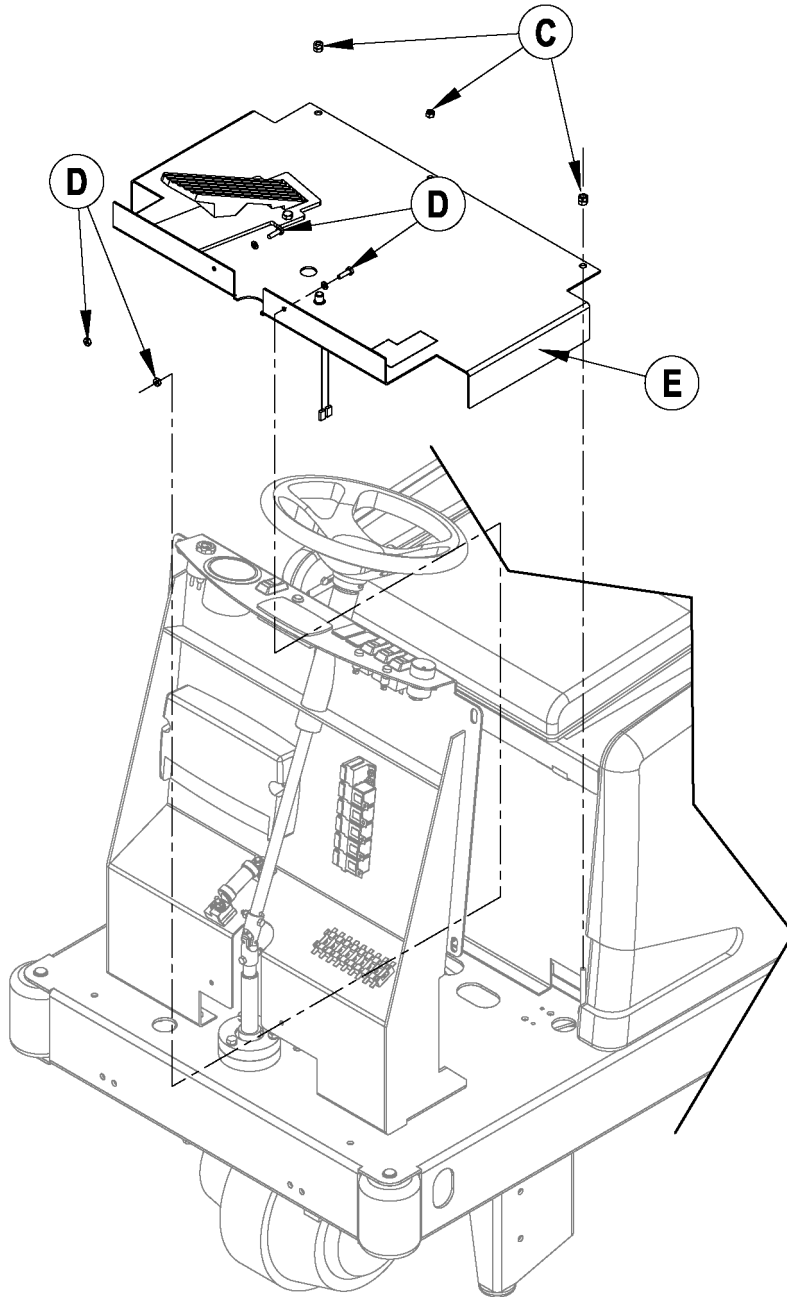
- 2 See Figure 1. Remove the (4) Screws (A) and remove the Front Panel (B)

FIGURE 1



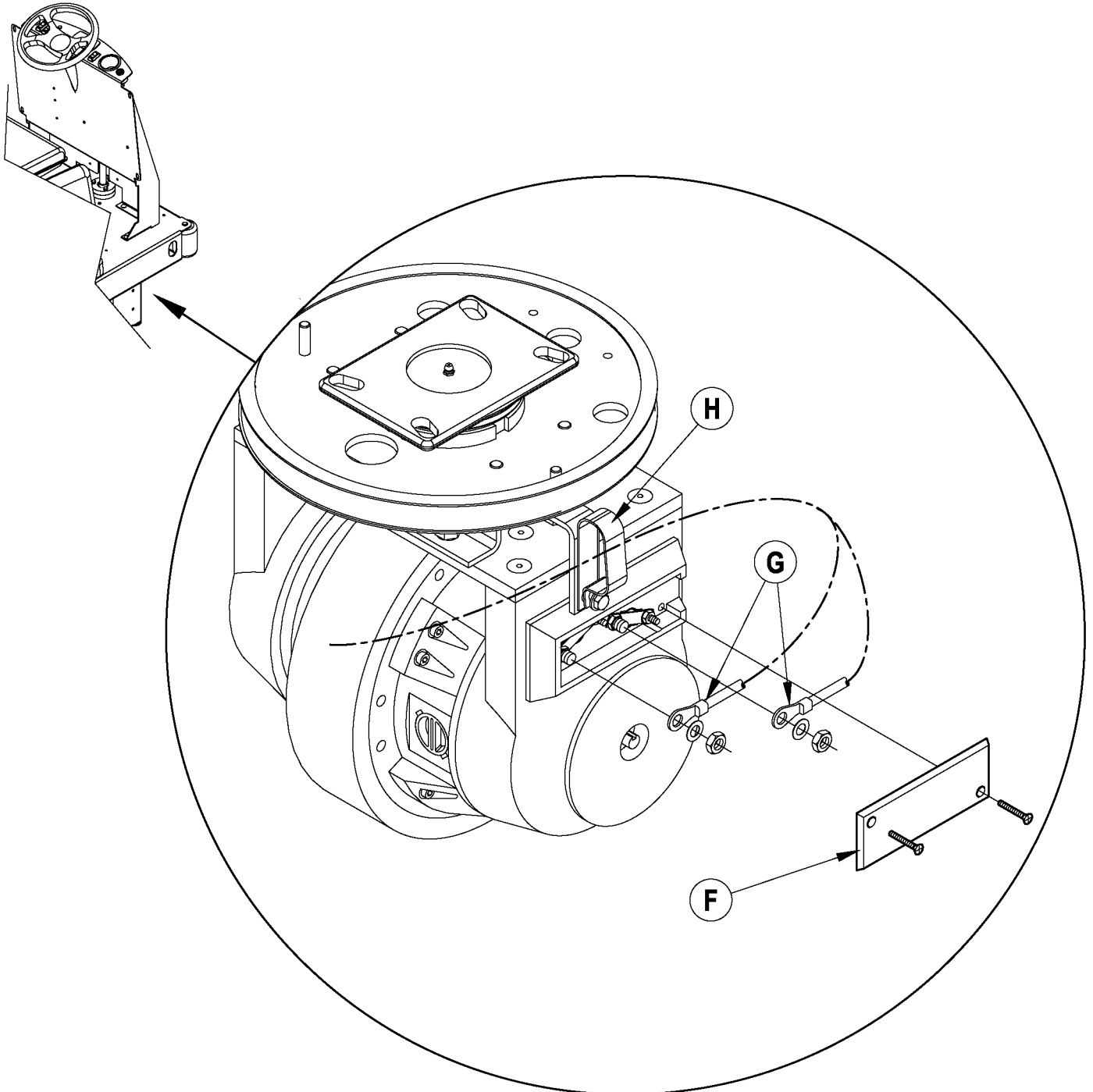
- 3 See Figure 2. Remove the Nuts (C), the (2) Screws / Nuts (D) and then lift the Floor Panel Assembly (E) up and disconnect the wiring from the horn and drive pedal assemblies. The Floor Panel can now be removed from the machine.

FIGURE 2



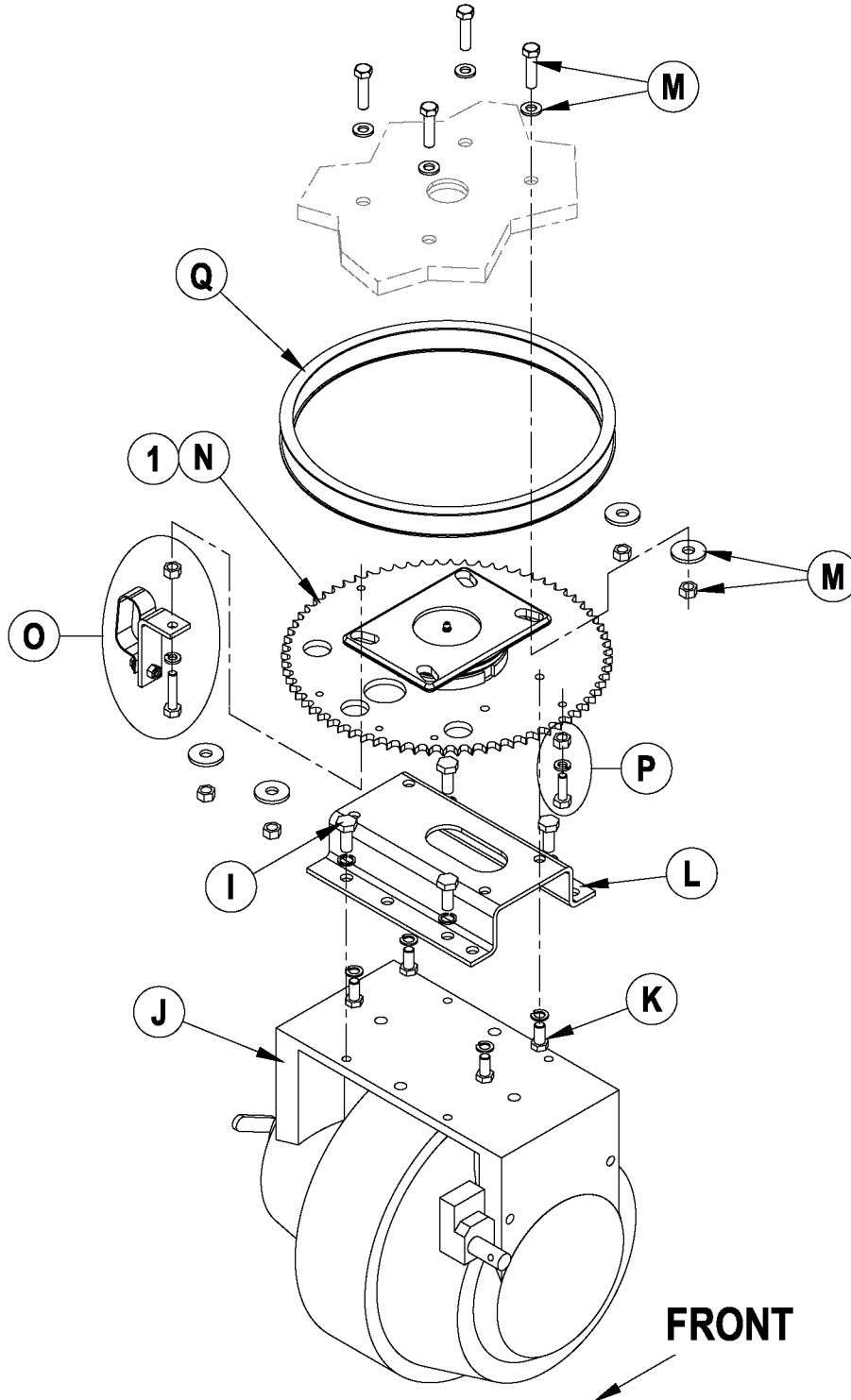
- 4 See Figure 3. On the right side of the drive motor remove the Motor Wiring Cover (F) and observe the (2) wires (G) attached to the motor terminal connections for reassembling. Then remove the wires using a 13mm wrench.
- 5 Unwrap the electrical tape wrapped around the wire connector for the electromagnetic brake and disconnect the brake wire. Pull the Wheel Drive Motor wires back through the large Clamp (H).

FIGURE 3



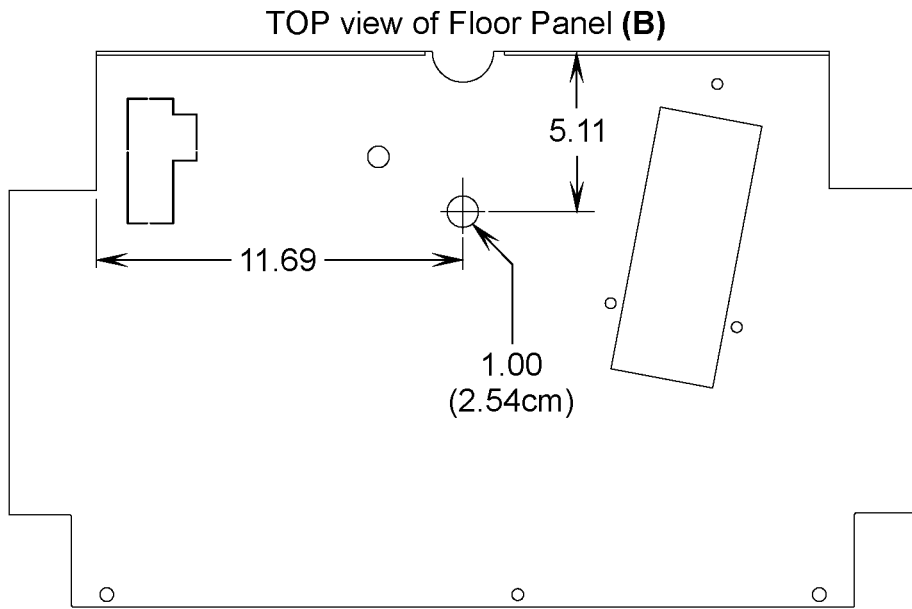
- 6 See Figure 4. Remove the (4) Screws (I) and remove the Wheel Drive Motor Assembly (J) from the machine.
- 7 Remove the (4) Screws (K) and remove Bracket (L) from the sprocket.
- 8 Remove the (4) Screws / Nuts (M) and remove the Steering Sprocket Assembly (N) from the machine.
- 9 Remove Bracket Assembly (O), Screw, Washer & Nut (P) and Steering Chain (Q) from the old Sprocket Assembly (N). Assemble these items to the new Steering Sprocket Assembly (1). **NOTE:** Steering Chain (Q) can be removed by disconnecting the master link on the chain.

FIGURE 4



10 See Figure 5. Mark and drill a 1" (2.54cm) hole in the location shown on the Floor Panel (B).

FIGURE 5



- 11 See Figure 6. Mark and drill a 1.50" (3.81cm) hole in the location shown on the top plate of the chassis in the operator's compartment.
- 12 Follow steps 1-8 in reverse order to install the new Steering Sprocket Assy (1) and reinstall the Drive Wheel Assy. **NOTE:** Make sure all components are orientated as shown in Figure 4.

FIGURE 6

