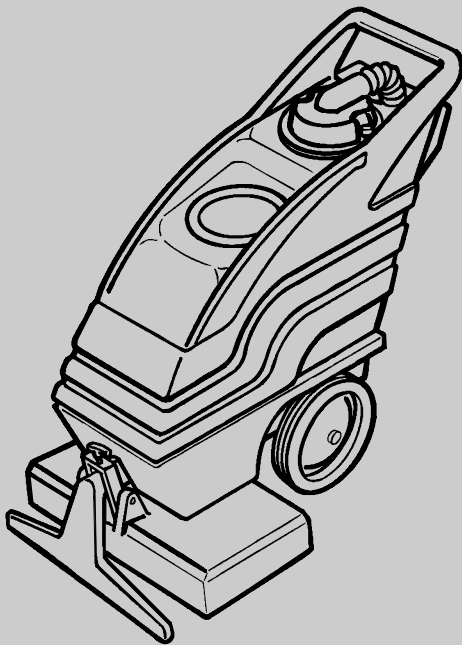




# 1240/1260

**Self-Contained Carpet Extractor  
Aspirador para moquetas con  
depósito incorporado**

**Operator and Parts Manual  
Manual De Operador  
Y Lista De Repuestos**



**Model Part No.:**

607875 - 1240 (120V)  
609630 - 1240 (230V/50Hz)  
609597 - 1240 (230V/60Hz)  
609631 - 1240 (240V/50Hz)  
607861 - 1260 (120V)  
609381 - 1260 (230V)  
609629 - 1260 (240V/50Hz)  
609685 - 1240 (240V EMC)  
609686 - 1260 (240V EMC)



# OPERATION

This manual is furnished with each new model. It provides necessary operation and maintenance instructions and an illustrated parts list.

**Read this manual completely and understand the machine before operating or servicing it.**

Use the illustrated Parts Lists to order parts. Before ordering parts or supplies, be sure to have your machine model number and serial number handy. Parts and supplies may be ordered by phone or mail from any authorized parts and service center, distributor or from any of the manufacturer's subsidiaries.

This machine will provide excellent service. However, the best results will be obtained at minimum costs if:

- The machine is operated with reasonable care.
- The machine is maintained regularly - per the maintenance instructions provided.
- The machine is maintained with manufacturer supplied or equivalent parts.

## MACHINE DATA

Please fill out at time of installation for future reference.

Model No.- \_\_\_\_\_

Install. Date - \_\_\_\_\_

Serial No.- \_\_\_\_\_

©1999, 2000, 2001, 2007 Tennant Company

Printed in U.S.A.



### PROTECT THE ENVIRONMENT

Please dispose of packaging materials, old machine components such as batteries, hazardous fluids such as antifreeze and oil, in a safe environmentally way according to your local waste disposal regulations.

Always remember to recycle.

## TABLE OF CONTENTS

<b>SAFETY PRECAUTIONS</b> .....	<b>3</b>	<b>TROUBLE SHOOTING</b> .....	<b>9</b>
GROUNDING INSTRUCTIONS .....	3	<b>SPECIFICATIONS</b> .....	<b>10</b>
<b>MACHINE COMPONENTS</b> .....	<b>4</b>	<b>ELECTRICAL DIAGRAMS</b> .....	<b>21</b>
<b>MACHINE SETUP</b> .....	<b>4</b>	<b>PARTS LIST</b> .....	<b>24</b>
<b>MACHINE OPERATION</b> .....	<b>5</b>	RECOVERY TANK GROUP .....	24
PRE-OPERATION .....	5	CHASSIS GROUP .....	26
CLEANING CARPETS .....	5	CONTROL CONSOLE GROUP (120V) .....	28
WHILE OPERATING .....	5	CONTROL CONSOLE GROUP (230V/240V) .....	30
CLEANING WITH ACCESSORY TOOLS ...	6	CONTROL CONSOLE GROUP (240V EMC) .....	32
<b>DRAINING TANKS</b> .....	<b>6</b>	BRUSH HOUSING GROUP .....	34
DRAINING RECOVERY TANK .....	6	BRUSH BREAKDOWN .....	36
DRAINING LEFTOVER CLEANING SOL. ...	6	PUMP BREAKDOWN .....	37
<b>MACHINE MAINTENANCE</b> .....	<b>7</b>	<b>OPTIONS</b> .....	<b>38</b>
DAILY MAINTENANCE .....	7	127mm (5 in) HAND TOOL GROUP .....	38
WEEKLY MAINTENANCE .....	7	CREVICE TOOL GROUP .....	38
MONTHLY MAINTENANCE .....	7	UPHOLSTERY TOOL GROUP .....	39
QUARTERLY MAINTENANCE .....	7	SOLUTION AND VACUUM HOSES .....	39
SERVICING MACHINE .....	8	330mm (13 in) FLOOR TOOL .....	40
<b>STORING MACHINE</b> .....	<b>8</b>		
<b>RECOMMENDED STOCK ITEMS</b> .....	<b>8</b>		

## SAFETY PRECAUTIONS

This machine is intended for commercial use. It is designed to clean carpet and upholstery in an indoor environment and is not constructed for any other use. Use only recommended cleaning solutions and accessory tools.

All operators must read, understand and practice the following safety precautions.

The following safety alert symbols are used throughout this manual as indicated in their description:

**⚠ WARNING: To warn of hazards or unsafe practices which could result in severe personal injury or death.**

**FOR SAFETY: To identify actions which must be followed for safe operation of equipment.**

The following information signals potentially dangerous conditions to the operator or equipment:

### FOR SAFETY:

1. **Do not operate machine:**
  - Unless trained and authorized.
  - Unless operator manual is read and understood.
  - In flammable or explosive areas.
  - With damaged cord or plug.
  - If not in proper operating condition.
  - In outdoor areas.
  - In standing water.
  - Unless cord is properly grounded.
  - With the use of additional extension cords. Only use manufacturer's extension cord equipped with machine which has proper capacity and is grounded (120V models).
  - With the use of an extension cord (230V models).
2. **Before operating machine:**
  - Make sure all safety devices are in place and operate properly.
3. **When using machine:**
  - Do not run machine over cord.
  - Do not pull machine by plug or cord.
  - Do not pull cord around sharp edges or corners.
  - Do not unplug by pulling on cord.
  - Do not stretch cord.
  - Do not handle plug with wet hands.
  - Keep cord away from heated surfaces.

- Report machine damage or faulty operation immediately.
- Follow mixing and handling instructions on chemical containers.

#### 4. Before leaving or servicing machine:

- Turn off machine.
- Unplug cord from wall outlet.

#### 5. When servicing machine:

- Unplug cord from wall outlet.
- Avoid moving parts. Do not wear loose jackets, shirts, or sleeves.
- Use manufacturer supplied or approved replacement parts.

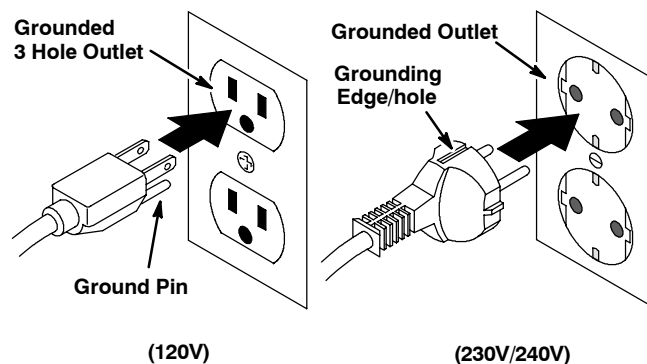
**⚠ WARNING: Hazardous Voltage. Shock or electrocution can result. Always unplug machine before servicing.**

**⚠ WARNING: Flammable materials can cause an explosion or fire. Do not use flammable materials in tank(s).**

**⚠ WARNING: Flammable materials or reactive metals can cause an explosion or fire. Do not pick up.**

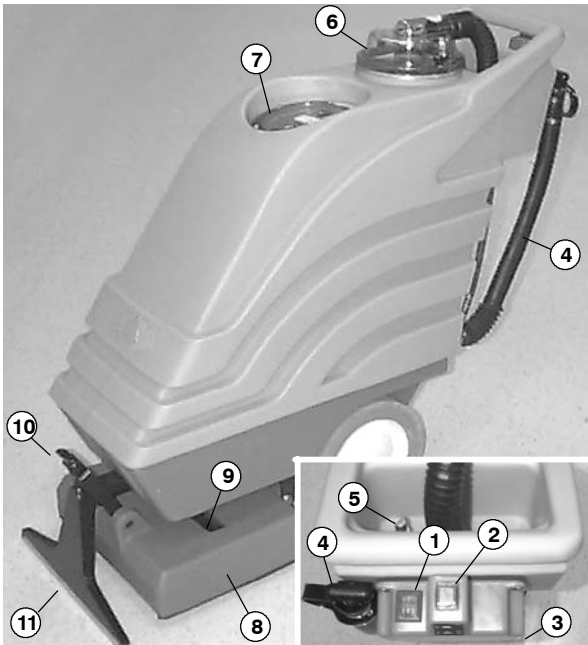
## GROUNDING INSTRUCTIONS

Machine must be grounded. If it should malfunction or breakdown, grounding provides a path of least resistance for electrical current to reduce the risk of electrical shock. This machine is equipped with a cord having an equipment-grounding conductor and grounding plug. The plug must be plugged into an appropriate outlet that is properly installed in accordance with all local codes and ordinances. Do not remove ground pin; if missing, replace plug before use.



# OPERATION

## MACHINE COMPONENTS



1. Vacuum/Pump Switch
2. Brush/Spray Button
3. Brush Circuit Breaker (under switchbox)
4. Drain Hose
5. Accessory Tool Hookup
6. Recovery Tank Dome
7. Solution Tank Lid
8. Power Brush Head
9. Spray Bar
10. Brush Height Adjustment Knob
11. Pick Up Head

## MACHINE SETUP

1. Carefully check carton for signs of damage. Report damages at once to carrier. The machine is shipped fully assembled and is ready for use.
2. Remove solution tank lid. Using a hose or bucket, fill tank with 38L (10 gal) of hot water, 60°C (140°F) maximum (Figure 1).

**NOTE:** Use different buckets to fill and drain machine to prevent solution system clogs.



FIG. 1

**⚠ WARNING: Flammable materials can cause an explosion or fire. Do not use flammable materials in tank(s).**

3. Add a recommended cleaning solution.

**FOR SAFETY: When using machine, follow mixing and handling instructions on chemical containers.**

**ATTENTION: If using powered cleaning chemicals, mix prior to adding.**

**NOTE: If desired, water alone achieves excellent cleaning results.**

4. Replace lid securely after filling.
5. Connect extension cord to machine (120V model). Plug cord into a grounded wall outlet (Figure 2).

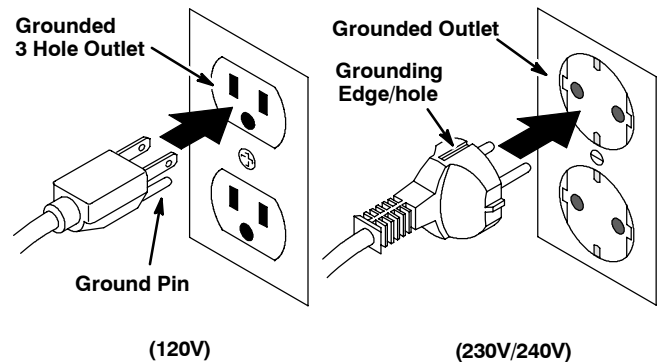


FIG. 2

**FOR SAFETY: Do not operate machine unless cord is properly grounded.**

**FOR SAFETY: Do not operate machine with the use of an extension cord (230V model).**

**FOR SAFETY: Do not operate machine with the use of additional extension cords. Only use manufacturer's extension cord equipped with machine which has proper capacity and is grounded (120V model).**

6. Adjust brush to proper height. Turn height adjustment knob until bristles slightly touch carpet, then turn knob another half turn. Turn knob clockwise to raise and counterclockwise to lower (Figure 3).



FIG. 3

---

## MACHINE OPERATION

---

**FOR SAFETY: Do not operate machine unless operator manual is read and understood.**

---

### PRE-OPERATION

1. Vacuum carpet to remove particles and other debris.
2. Inspect power cord for damage.

---

### CLEANING CARPETS

**⚠ WARNING: Flammable materials or reactive metals can cause an explosion or fire. Do not pick up.**

1. Turn on Vacuum/Pump switch.

**NOTE:** Solution spray is activated when the Brush/Spray button is pushed.

2. Push Brush/Spray button and pull machine backwards to clean carpet (Figure 4).



FIG. 4

3. Release button at end of path and continue to pull machine backwards to pick up excess solution.
4. Tip machine back and push forward to begin next path.

---

### WHILE OPERATING

1. Overlap each path by 50mm (2 in).
2. Work away from wall outlet and power cord to prevent cord damage.
3. Check for excessive foam buildup in recovery tank. Use a recommended foam control solution to prevent vacuum motor damage.

**ATTENTION: Excessive foam buildup will not activate the float shut-off screen.**

4. If brush stops, the circuit breaker may have been tripped. Unplug power cord, check brush for obstruction OR raise brush height. Push brush reset button located under switch box to resume.
5. To clean heavily soiled areas, turn off Vacuum/Pump switch and use brush only, this will prevent overwetting.
6. Once pick up stops or when solution tank runs dry, you must drain recovery tank (See DRAINING TANKS).

# OPERATION

## CLEANING WITH ACCESSORY TOOLS

1. Disconnect vacuum hose from dome and replace with accessory vacuum hose. Connect accessory solution hose to quick coupler located in front of handle (Figure 5).



FIG. 5

2. Attach desired accessory tool to hoses.
3. Turn on Vacuum/Pump switch.
4. Operate accessory tools as normal (Figure 6).

**NOTE:** When cleaning upholstery, always check cleaning instructions sewn in furniture by manufacturer.



FIG. 6

5. After cleaning, relieve water pressure from tool before disconnecting hose. Squeeze trigger for five seconds after turning off switches.

## DRAINING TANKS

**FOR SAFETY:** When servicing machine, unplug cord from wall outlet.

**NOTE:** Use different buckets to fill and drain machine to prevent solution system clogs.

## DRAINING RECOVERY TANK

1. Turn off machine and unplug power cord.
2. Turn drain hose knob counterclockwise and pull out plug to drain (Figure 7).



FIG. 7

3. Replace drain hose knob securely.

## DRAINING LEFTOVER CLEANING SOLUTION

1. Disconnect vacuum hose from recovery tank dome and replace with .9L (3 ft) clean-out hose, supplied with machine (Figure 8).



FIG. 8

2. Turn on Vacuum/Pump switch.
3. Remove solution tank lid and vacuum out leftover solution.
4. Drain recovery tank.

---

## MACHINE MAINTENANCE

---

To keep machine in good working condition, simply follow machines daily, weekly and monthly maintenance procedures.

**FOR SAFETY: When servicing machine, unplug cord from wall outlet.**

---

### DAILY MAINTENANCE (Every 4 Hours of Operation)

1. Rinse out recovery tank and dome thoroughly.
2. Remove lint buildup from float shut-off screen, located in recovery tank. (Figure 9)



FIG. 9

3. Drain leftover solution in solution tank.
4. Remove and rinse bladder tank screen.
5. Remove any entangled carpet fibers and debris from brush.
6. Remove any clogged debris in pick up head.
7. Check cord for damage, replace if necessary. Coil cord neatly after each use.
8. Clean machine with a nonabrasive, nonsolvent cleaner.

---

### WEEKLY MAINTENANCE (Every 20 Hours of Operation)

1. Inspect vacuum hose for holes and loose cuffs.
  2. Inspect spray pattern for plugging. If plugged, remove spray tips and soak in acetic acid solution for up to six hours. Do not use pointed objects to unplug tips, damage will occur.
  3. Inspect cord and cord grip for damage. Replace immediately if damaged.
- 

### MONTHLY MAINTENANCE (Every 80 Hours of Operation)

1. Flush pump system with an acetic acid solution to dissolve normal alkaline chemical buildup.

**FOR SAFETY: When using machine, follow mixing and handling instructions on chemical containers.**

- a. Premix .5L (16 oz) of an acetic acid solution with 7.5L (2 gal) of hot water 60°C (140°F) and pour into solution tank.
  - b. Turn on Vacuum/Pump switch.
  - c. Position brush over floor drain and operate machine for one minute.
  - d. Shut off machine and allow remaining solution to break down alkaline buildup overnight.
  - e. Next day, spray out remaining solution and flush system with 11L (3 gal) of clean water.
2. Lubricate wheels with a water resistant oil.
  3. Inspect machine for water leaks.
  4. Inspect machine for loose screws.
- 

### QUARTERLY MAINTENANCE (Every 250 of Hours of Operation)

Check vacuum motor for carbon brush wear. Replace brushes when worn to a length of 10mm (0.38 in) or less. Contact your Authorized Service Center for carbon brush inspection.

# OPERATION

## SERVICING MACHINE

**⚠ WARNING: Hazardous Voltage. Shock or electrocution can result. Always unplug machine before servicing.**

**FOR SAFETY: When servicing machine, use manufacturer supplied or approved replacement parts.**

To access internal components for repair, open machine as described below.

1. Remove two hex-head bolts at front of machine, using a 9/16" wrench.

**ATTENTION: Make sure tanks are empty before opening.**

2. Hinge tank backwards away from chassis (Figure 10).

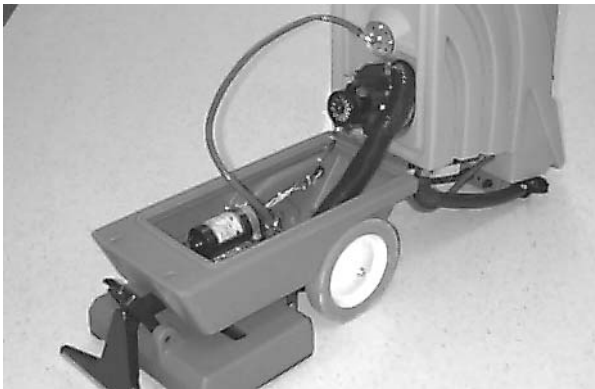


FIG. 10

3. When closing machine, be careful not to pinch any internal hoses or wiring.

## STORING MACHINE

1. Before storing machine, be certain to flush tanks and drain machine of all water.
2. Store machine in a dry area in the upright position with brush raised off floor.
3. Remove recovery dome to promote air circulation.

**ATTENTION: Do not expose to rain. Store indoors.**

**ATTENTION: If storing machine in freezing temperatures, be sure that machine, pump and spraying system are completely drained and dry.**

## RECOMMENDED STOCK ITEMS

Refer to Parts List section for recommended stock items. Stock Items are clearly identified with a bullet preceding the parts description. See example below:

Ref.	Part No.	Description	Qty.
1	701103	ASM., STANDPIPE	1
2	180618	● FLOAT, SHUTOFF	1
3	230197	NIPPLE	1
4	101714	● GASKET	1
5	210240	NUT, FLANGED	1



**TROUBLE SHOOTING**

<b>PROBLEM</b>	<b>CAUSE</b>	<b>SOLUTION</b>
Machine does not operate.	Faulty switches or wiring.	Contact Service Center.
	Faulty power cord.	Contact Service Center.
	Building circuit breaker tripped.	Reset breaker.
Solution pump does not operate.	Overheated pump.	Determine cause and wait 20 minutes for pump to cool.
	Faulty solution pump.	Contact Service Center.
	Faulty solenoid.	Contact Service Center.
	Faulty switch.	Contact Service Center.
	Loose or broken wiring.	Contact Service Center.
Vacuum motor does not operate.	Vacuum motor thermal overload tripped.	Check air flow for obstruction, wait 20 minutes for motor to cool.
	Loose or broken wiring.	Contact Service Center.
	Faulty Vacuum/Pump switch.	Contact Service Center.
	Defective vacuum motor.	Contact Service Center.
	Worn carbon brushes.	Replace brushes or call for service.
Brush motor does not operate.	Brush motor circuit breaker tripped.	Remove brush obstruction OR readjust brush height. Reset brush breaker button at bottom of switch box.
	Brush/Spray button not pushed.	Push Brush/Spray Button.
	Faulty brush motor.	Contact Service Center.
	Loose or broken brush belt.	Contact Service Center.
	Faulty switch or wiring.	Contact Service Center.
Poor pick up.	Loose drain hose plug.	Cap drain hose securely.
	Clogged float shut-off screen.	Remove recovery dome and clean lint off screen.
	Air leakage around recovery dome.	Tighten recovery dome knobs or replace gaskets.
	Loose vacuum hose connections.	Secure connections.
	Defective vacuum hose.	Replace hose.
	Loose vacuum hose cuffs.	Secure cuffs to hose.
	Pulling machine too fast.	Slow down cleaning process.
Uneven or no spray.	Dirty or plugged spray tips.	Clean or replace tips.
	Improper spray tip size or spray angle.	Replace with proper tips.
	Worn spray tips.	Replace spray tips.
	Solution tank low or empty.	Refill solution tank.
	Faulty solution pump.	Contact Service Center.
	Plugged solution tank filter.	Clean filter.

# OPERATION

## SPECIFICATIONS

Model	1240	1260
LENGTH	1092 mm (43 in)	1092 mm (43 in)
WIDTH	406 mm (16 in)	508 mm (20 in)
HEIGHT	864 mm (34 in)	864 mm (34 in)
WEIGHT	41 Kg (89 lb)	42 Kg (90 lb)
SOLUTION TANK CAPACITY	38L (10 gal)	38L (10 gal)
RECOVERY TANK CAPACITY	55L (14.5 gal)	55L (14.5 gal)
CLEANING PATH WIDTH	406 mm (16 in)	508 mm (20 in)
MAXIMUM CLEANING RATE	1951m <sup>2</sup> (21,000 sq. ft) per hour	2415m <sup>2</sup> (26,000 sq. ft.) per hour
BRUSH MOTOR	120V, .1hp, .75A, 90W, 1800 rpm	120V, .1hp, .75A, 90W, 1800 rpm
	230V/240V, .16 hp, .5A,.12kW, 2100 rpm	230V/240V, .16 hp, .5A,.12kW, 2100 rpm
BRUSH SPEED	1200 rpm	1200 rpm
SOLUTION PUMP	120V, 6.9bar (100psi), 1A	120V, 6.9bar (100psi), 1A
	230V/240V, 6.9bar (100psi), .16 hp,.5A, .12kW	230V/240V, 6.9bar (100psi), .16 hp,.5A, .12kW
VACUUM MOTOR	120V, 1.8 hp, 13A, 1560W, 3 stage	120V, 1.8 hp, 13A, 1560W, 3 stage
	230V/240V, 1.8 hp, 5.8 A, 1.4kW, 2 stage	230V/240V, 1.8 hp, 5.8A, 1.4kW, 2 stage
SEALED WATER LIFT	3.5 m (137 in)	3.5 m (137 in)
TOTAL POWER CONSUMPTION	120V, 14.2, 1710W	120V, 14.2, 1710W
	230V/240V, 6.5A, 1.64kW	230V/240V, 6.5A, 1.64kW
DECIBEL RATING AT OPERATOR'S EAR, INDOORS ON CARPET	>70dB(A)	>70dB(A)

Este manual acompaña todos los modelos nuevos. Proporciona las instrucciones necesarias para su utilización y mantenimiento e incluye una lista de piezas con ilustraciones.

**Lea el manual entero para comprender el funcionamiento de la máquina antes de utilizarla o revisarla.**

Esta máquina le proporcionará un servicio excelente. Sin embargo, obtendrá los mejores resultados al coste mínimo si:

- Utiliza la máquina con un cuidado razonable.
- Revisa la máquina periódicamente - según las instrucciones de mantenimiento adjuntas.
- Realiza el mantenimiento de la máquina con piezas suministradas por TENNANT o equivalentes.

## DATOS DE LA MÁQUINA

Por favor rellene estos datos en el momento de la instalación para utilizarlos como referencia en el futuro.

Nº Modelo- \_\_\_\_\_

Fecha de instal. - \_\_\_\_\_

Nº de serie de la máquina - \_\_\_\_\_



### PROTECCIÓN DEL MEDIO AMBIENTE

Deseche el material de embalaje, los componentes usados de la máquina como las baterías y los líquidos peligrosos como el anticongelante y el aceite, de forma segura para el medio ambiente, de acuerdo con las normativas o disposiciones locales.



No olvide reciclar.

## ÍNDICE

<b>MEDIDAS DE SEGURIDAD</b> .....	<b>12</b>	<b>LOCALIZACIÓN DE AVERÍAS</b> .....	<b>19</b>
INSTRUCCIONES PARA LA CONEXIÓN A LA TOMA DE TIERRA .....	13	<b>ESPECIFICACIONES</b> .....	<b>20</b>
<b>COMPONENTES DE LA MÁQUINA</b> .....	<b>13</b>	<b>DIAGRAMAS ELECTRICAS</b> .....	<b>21</b>
<b>INSTALACIÓN DE LA MÁQUINA</b> .....	<b>14</b>	<b>LISTA DE PIEZAS</b> .....	<b>24</b>
<b>FUNCIONAMIENTO DE LA MÁQUINA</b> .....	<b>15</b>	CONJ. DEPOSITO RECUPERAR .....	24
ANTES DE LA PUESTA EN MARCHA .....	15	CONJUNTO TELAIO .....	26
LIMPIEZA DE MOQUETAS .....	15	CONJUNTO CONSOLA DE CONTROLES (120V) .....	28
DURANTE LA UTILIZACIÓN .....	15	CONJUNTO CONSOLA DE CONTROLES (230V/240V) .....	30
LIMPIEZA CON ACCESORIOS .....	15	CONJUNTO CONSOLA DE CONTROLES (240V EMC) .....	32
<b>VACIADO DE LOS DEPÓSITOS</b> .....	<b>16</b>	GRUPO DEL BASTIDOR DEL CEPILLO ...	34
VACIADO DEL DEPÓSITO DE RECUPERACIÓN .....	16	CONJUNTO DE CEPILLO .....	36
VACIADO DE LA DISOLUCIÓN LIMPIADORA SOBRANTE .....	16	DESMONTAJE DE LA BOMBA .....	37
<b>MANTENIMIENTO</b> .....	<b>17</b>	<b>OPCIONES</b> .....	<b>38</b>
MANTENIMIENTO DIARIO .....	17	127mm (5 pul.) ACCESORIO MANUAL .....	38
MANTENIMIENTO SEMANAL .....	17	ACCESORIO PARA HENDIDURAS .....	38
MANTENIMIENTO MENSUAL .....	17	ACCESORIO PARA TAPICERÍA .....	39
MANTENIMIENTO TRIMESTRAL .....	17	MANGUERAS DE DISOLUCIÓN Y ASPIRACIÓN .....	39
REVISIÓN DE LA MÁQUINA .....	18	330mm (13 pul.) ACCESORIO PARA EL SUELO .....	40
<b>ALMACENAMIENTO DE LA MÁQUINA</b> .....	<b>18</b>		
<b>RECOMENDACIONES PARA EL ALMACENAMIENTO</b> .....	<b>18</b>		

---


## MEDIDAS DE SEGURIDAD

---

Esta máquina está destinada al uso comercial. Está diseñada exclusivamente para limpiar alfombras y cortinas en recintos cerrados. Utilice únicamente los detergentes y accesorios recomendados.

Todos los operarios deben leer, comprender y cumplir las siguientes medidas de seguridad.

En este manual se utilizan los siguientes símbolos de peligro, cuyo significado se indica a continuación:

 **ADVERTENCIA:** Para advertir sobre riesgos o hábitos peligrosos que podrían causar lesiones corporales graves o fatales.

**PARA SU SEGURIDAD:** Para indicar las operaciones que deben realizarse para una utilización segura del equipo.

La siguiente información indica las condiciones potencialmente peligrosas para el operario o equipo:

### PARA SU SEGURIDAD:

#### 1. No utilice la máquina:

- Salvo que esté adecuadamente cualificado y autorizado.
- Salvo que haya leído y comprendido el manual del operario
- En lugares con material inflamable o explosivo.
- Con el cable eléctrico o enchufe en malas condiciones.
- Si la máquina no funciona correctamente.
- Al aire libre
- Cuando haya agua en el suelo.
- Si la toma de tierra del cable eléctrico no funciona correctamente.
- Con el uso de cordones de extensión adicionales. Use sólo el cordón de extensión del fabricante equipado con la máquina que tenga una capacidad apropiada y esté conectado a tierra (120V Modelo).
- Con un alargador (230V Modelo)

#### 2. Antes de utilizar la máquina:

- Asegúrese de que todos los dispositivos de control se encuentran en su sitio y funcionan correctamente.

#### 3. Al utilizar la máquina:


- No permita que la máquina pase por encima del cable eléctrico.
- No mueva la máquina tirando del cable eléctrico o del enchufe.
- No tire del cable eléctrico cuando se encuentre contra aristas o esquinas.
- No desenchufe la máquina tirando del cable eléctrico.
- No intente estirar demasiado el cable eléctrico.
- No toque el enchufe con las manos húmedas.
- Mantenga el cable eléctrico alejado de superficies calientes.
- Informe inmediatamente si la máquina presenta averías o funciona incorrectamente.
- Siga las instrucciones de manipulación y mezcla indicadas en los envases de los productos químicos.

#### 4. Antes de estacionar o revisar la máquina:


- Apague la máquina.
- Desconecte el cable eléctrico del enchufe de la pared.

#### 5. Al revisar la máquina:

- Desconecte el cable eléctrico del enchufe de la pared.
- Evite las partes en movimiento. No lleve chaquetas, camisas o mangas sueltas.
- Utilice piezas de recambio suministradas o aprobadas por el fabricante.

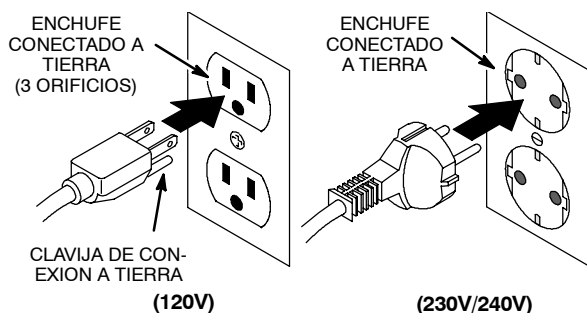
 **ADVERTENCIA:** Alta tensión. Existe riesgo de electrocución o descarga eléctrica. Desenchufe siempre la máquina antes de realizar cualquier revisión.

 **ADVERTENCIA:** Los materiales inflamables pueden provocar explosiones o incendios. No utilice materiales inflamables en los depósitos.

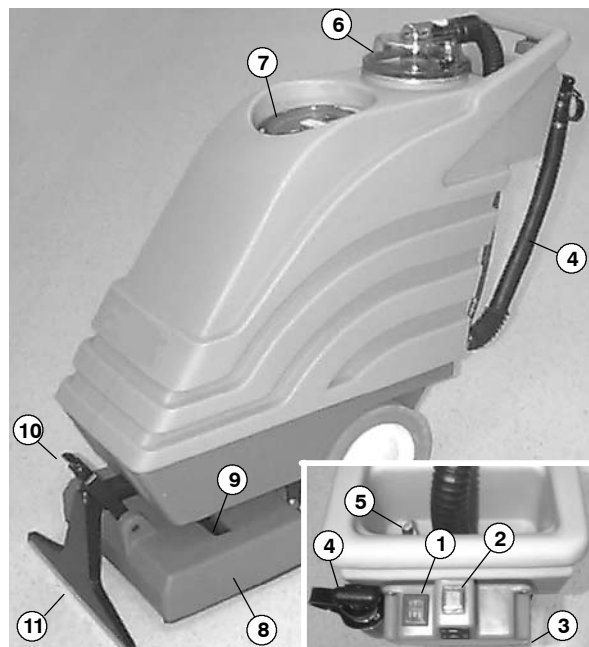
 **ADVERTENCIA:** Los materiales inflamables o metales reactivos puede provocar explosiones o incendios. No los recoja.

## INSTRUCCIONES PARA LA CONEXIÓN A LA TOMA DE TIERRA

La máquina debe conectarse a tierra. Si funciona mal o se rompe, la conexión a tierra proporciona un recorrido de menor resistencia para la corriente eléctrica para reducir el riesgo de choque eléctrico. Esta máquina está equipada con un cordón que tiene un conductor de conexión a tierra del equipo y un enchufe de conexión a tierra. El enchufe debe enchufarse en un tomacorrientes apropiado que esté bien instalado de acuerdo con todos los códigos y ordenanzas locales. No extraiga la clavija de conexión a tierra; en caso de faltar, vuelva a colocar el enchufe antes de usar.



## COMPONENTES DE LA MÁQUINA



1. Interruptor de aspiración/de la bomba
2. Botón del cepillo/pulverización
3. Cortacircuitos del cepillo (debajo de la caja de interruptores)
4. Manguera de vaciado
5. Enganche para el accesorio
6. Domo del depósito de recuperación
7. Tapa del depósito de la disolución
8. Cabezal del cepillo eléctrico
9. Barra de pulverización
10. Botón de ajuste de la altura del cepillo
11. Cabezal de recogida

## INSTALACIÓN DE LA MÁQUINA

1. Compruebe cuidadosamente si la caja de cartón está deteriorada. En caso de que encontrar cualquier desperfecto, informe inmediatamente al transportista. La máquina se entrega totalmente montada y lista para su utilización.
2. Retire la tapa del depósito de la disolución y llene dicho depósito con 38 litros (10 galones) de agua caliente, a una temperatura máxima de 60°C (140°F) (Figura 1).



FIG. 1

**NOTA:** Utilice cubos diferentes para llenar y vaciar la máquina y evitar que el sistema de la disolución se bloquee.

**⚠ ADVERTENCIA:** Los materiales inflamables pueden provocar explosiones o incendios. No utilice materiales inflamables en los depósitos.

3. Añada la solución limpiadora recomendada. Siga cuidadosamente las instrucciones del envase.

**NOTA:** Si quiere, también se obtienen excelentes resultados utilizando únicamente agua.

**PARA SU SEGURIDAD:** Siga las instrucciones de mezcla y manipulación indicadas en los envases de los productos químicos cuando utilice la máquina.

**ATENCIÓN:** Si utiliza productos químicos limpiadores en polvo, realice la mezcla antes de añadirlos.

4. Vuelva a colocar correctamente la tapa después de la operación de llenado.
5. Conecte el cordón separable de energía a la máquina, use la correa sujetadora del cordón provista (120V Modelo)(Figura 2).

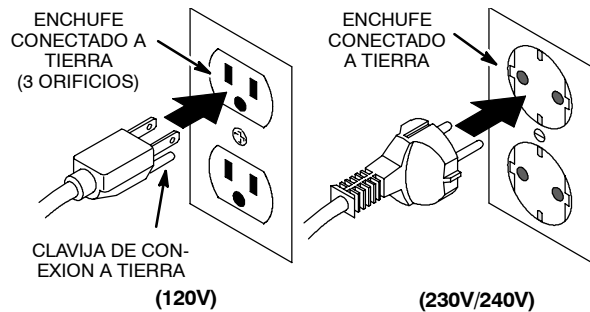


FIG. 2

**PARA SU SEGURIDAD:** No utilice la máquina salvo que el cable eléctrico tenga una toma de tierra que funcione correctamente.

**PARA PROTECCION:** No opere la máquina usando cordones de extensión adicionales. Use sólo el cordón de extensión del fabricante equipado con la máquina que tenga una capacidad apropiada y esté conectado a tierra (120V Modelo).

**PARA SU SEGURIDAD:** No utilice la máquina con un cable eléctrico alargador (230V Modelo)

6. Ajuste el cepillo a la altura adecuada. Con el cepillo funcionando, gire el botón de ajuste del cepillo hasta que las cerdas toquen la moqueta, y seguidamente gire el cepillo medio giro más. Gire el botón en el sentido de las agujas del reloj para elevarlo y en sentido contrario al de las agujas del reloj para bajarlo (Figura 3).



FIG. 3

## FUNCIONAMIENTO DE LA MÁQUINA

**PARA SU SEGURIDAD: No utilice la máquina salvo que haya leído y comprendido el manual de instrucciones.**

### ANTES DE LA PUESTA EN MARCHA

1. Pase el aspirador por la moqueta para eliminar partículas y otros residuos.
2. Controle si el cable eléctrico está deteriorado.

### LIMPIEZA DE MOQUETAS

**⚠ ADVERTENCIA: Los materiales inflamables o metales reactivos puede provocar explosiones o incendios. No los recoja.**

1. Encienda el interruptor de aspiración/de la bomba.

*NOTA: La pulverización de la disolución no se activa hasta pulsar el botón de cepillo/pulverización.*

2. Pulse el botón de cepillo/pulverización y tire de la máquina hacia atrás para limpiar la moqueta (Figura 4).



FIG. 4

3. Suelte el botón al final del recorrido y continúe tirando de la máquina hacia atrás para recoger el exceso de disolución.
4. Incline la máquina hacia atrás y empújela hacia delante para comenzar con la siguiente pista de limpieza.

### DURANTE LA UTILIZACIÓN

1. Haga que las pistas de limpieza se superpongan 50 mm (2 pul.)
2. Comience la limpieza desde la pared a la que está enchufada la máquina y vaya alejándose de dicha pared para evitar el deterioro del cable eléctrico.
3. Controle si existe formación excesiva de espuma en el depósito de recuperación. Utilice una disolución recomendada para controlar la formación de espuma y evitar averías del motor.

**ATENCIÓN: El exceso de espuma no activará el filtro del flotador de cierre.**

4. Si el cepillo se detiene, probablemente se deberá a la activación del cortacircuitos. Desenchufe el cable eléctrico, controle si el cepillo está bloqueado o suba más el cepillo. Para reanudar la operación de limpieza, pulse el botón de reajuste que se encuentra debajo de la caja de interruptores.
5. Para limpiar zonas muy sucias, apague el interruptor de aspiración/de la bomba y utilice sólo el cepillo. Esto evitará que se moje demasiado.
6. Vacíe el depósito de recuperación (Véase VACIADO DE LOS DEPÓSITOS) cuando la recogida se detenga o que el depósito de la disolución se vacíe.

### LIMPIEZA CON ACCESORIOS

1. Desconecte la manguera de aspiración del domo y sustitúyala por la manguera de aspiración accesoria. Conecte la manguera accesoria de la disolución al acoplamiento rápido situado delante del asa (Figura 5).



FIG. 5

# OPERACIÓN

2. Acople el accesorio que desee utilizar a las mangueras.
3. Encienda el interruptor de aspiración/de la bomba.
4. Utilice los accesorios como lo haría normalmente (Figura 6).

**NOTA:** Al limpiar tapicerías, compruebe siempre las instrucciones de limpieza del fabricante que se encuentran cosidas al mueble.



FIG. 6

5. Después de la limpieza, libere la presión del agua del accesorio antes de desconectar la manguera. Apriete el mando durante cinco segundos después de apagar todos los interruptores.

## VACIADO DE LOS DEPÓSITOS

**PARA SU SEGURIDAD:** Al revisar la máquina, desconecte el cable eléctrico del enchufe de la pared.

**NOTA:** Utilice cubos diferentes para llenar y vaciar la máquina y evitar que el sistema de la disolución se bloquee.

## VACIADO DEL DEPÓSITO DE RECUPERACIÓN

1. Apague la máquina y desenchufe el cable eléctrico.

2. Gire el tapón de la manguera de vaciado en sentido contrario al de las agujas del reloj y retírelo (Figura 7).

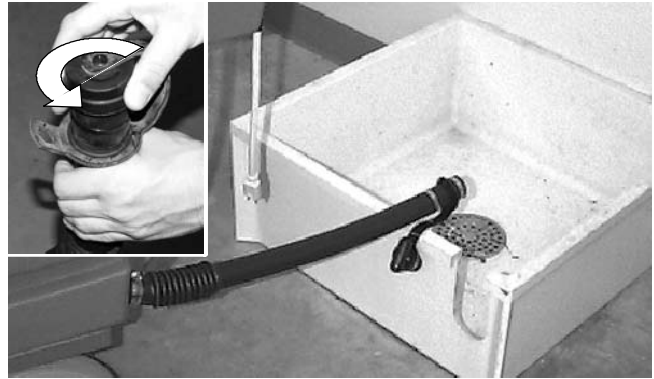


FIG. 7

3. Vuelva a colocar bien el tapón de la manguera de vaciado.

## VACIADO DE LA DISOLUCIÓN LIMPIADORA SOBRENTE

1. Desconecte la manguera de aspiración del domo del depósito de recuperación y sustitúyala por la manguera de aclarado de 9 metros / 3 pies, que es uno de los accesorios incluidos en la máquina. (Figura 8).



FIG. 8

2. Encienda el interruptor de aspiración/de la bomba.
3. Retire la tapa del depósito de la disolución y aspire la disolución sobrante.
4. Vacíe el depósito de recuperación.



## MANTENIMIENTO

Para mantener la máquina en buenas condiciones de funcionamiento bastará realizar las operaciones de mantenimiento diarias, semanales o mensuales de la máquina

**PARA SU SEGURIDAD: Al revisar la máquina, desconecte el cable eléctrico del enchufe de la pared.**

### MANTENIMIENTO DIARIO (Cada 4 horas de utilización)

1. Aclare el depósito de recuperación y el domo de recuperación después de cada uso.
2. Retire las pelusas acumuladas en el filtro del flotador de cierre que se encuentra en el depósito de recuperación (Figura 9).



FIG. 9

3. Vacíe la disolución sobrante del depósito de la disolución.
4. Retire y aclare el filtro del depósito.
5. Retire las fibras de moqueta y restos que pueda haber enredados en el cepillo.
6. Retire los restos que puedan bloquear el cabezal de recogida.
7. Controle si el cable eléctrico está deteriorado y sustitúyalo en caso necesario. Guarde el cable enrollado después de cada uso.
8. Limpie la máquina con un limpiador no abrasivo que no contenga disolventes.

### MANTENIMIENTO SEMANAL (Cada 20 horas de utilización)

1. Controle si la manguera de aspiración tiene orificios o conectores flojos
2. Controle el patrón de pulverización y si la barra de pulverización presenta obstrucciones. Si existen obstrucciones, retire las puntas de pulverización y sumérgalas una solución de ácido acético durante seis horas. No utilice objetos puntiagudos para desobstruir las puntas o podría dañarlas.
3. Controle el deterioro del cable eléctrico y el asa del cable. Sustitúyalo inmediatamente si está dañado.

### MANTENIMIENTO MENSUAL (Cada 80 horas de utilización)

1. Aclare el sistema de la bomba con una solución de ácido acético para disolver las acumulaciones normales de productos alcalinos.

**PARA SU SEGURIDAD: Siga las instrucciones de mezcla y manipulación indicadas en los envases de los productos químicos cuando utilice la máquina.**

- a. Mezcle .5 litros (16 oz.) de solución de ácido acético con 7,5 litros (2 gal.) de agua caliente (temperatura máxima: 60°C (140°F) y viértala en el depósito de la disolución.
  - b. Encienda el interruptor de aspiración/de la bomba.
  - c. Sitúe el cabezal del cepillos sobre el desagüe y haga funcionar la máquina durante 1 minuto.
  - d. Apague la máquina y deje que la solución restante actúe durante la noche y disuelva las acumulaciones alcalinas.
  - e. Al día siguiente, pulverice el resto de la disolución y aclare el sistema con 11 litros (3 gal.) de agua limpia.
2. Lubrique las ruedas con aceite impermeable.
  3. Controle si la máquina presenta fugas de agua.
  4. Controle si los tornillos de la máquina están sueltos.

### MANTENIMIENTO TRIMESTRAL (Cada 250 horas de utilización)

Controle el desgaste de los cepillos de carbón del motor de aspiración. Sustituya los cepillos cuando la longitud de sus cerdas sea igual o inferior a 10mm (3/8 pul.) debido al desgaste.

# OPERACIÓN

## REVISIÓN DE LA MÁQUINA

**⚠ ADVERTENCIA:** Alta tensión. Existe riesgo de electrocución o descarga eléctrica. **Desenchufe siempre la máquina antes de realizar cualquier revisión.**

**PARA SU SEGURIDAD:** Utilice piezas de recambio suministradas o aprobadas por TENNANT.

El diseño de la máquina permite abrirla y acceder a los componentes internos para su reparación. (Figura 10)

1. Retire los dos pernos hexagonales del delantero de la máquina utilizando una llave de 9/16 pul.

**ATENCIÓN:** Asegúrese de que los depósitos estén vacíos antes de abrirlos.

2. Abra el depósito del chasis principal desplazándolo hacia atrás.

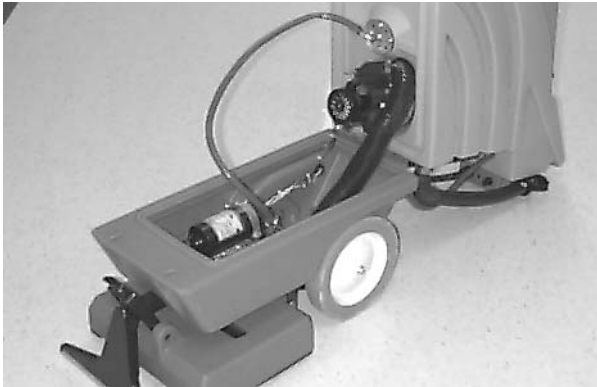


FIG. 10

3. Al cerrar la máquina tenga cuidado de no pinzar ningún cable o manguera internos.

## ALMACENAMIENTO DE LA MÁQUINA

1. Antes de guardar la máquina, asegúrese de aclarar y vaciar todo el agua de los depósitos de la máquina.
2. Guarde la máquina en posición vertical en un sitio seco con el cepillo levantado, sin que toque el suelo.
3. Retire el domo de recuperación para facilitar la circulación de aire.

**ATENCIÓN:** No exponga la máquina a la lluvia. Guárdela en un lugar cerrado.

**ATENCIÓN:** Si guarda la máquina a temperaturas iguales o inferiores a 0°C, asegúrese de que la máquina, la bomba y el sistema de pulverización están totalmente vacíos y secos.

## RECOMENDACIONES PARA EL ALMACENAMIENTO

Consulte la sección de Lista de Repuestos para ver que productos son los recomendados. Los elementos de almacén están claramente identificados con una marca colocada delante de la descripción de la pieza. Consulte el siguiente ejemplo:

Ref.	Part No.	Description	Qty.
1	701103	ASSEMBLY, STANDPIPE	1
2	180618	● FLOAT, SHUTOFF	1
3	230197	NIPPLE	1
4	101714	● GASKET	1
5	210240	NUT, FLANGED	1

**LOCALIZACIÓN DE AVERÍAS**

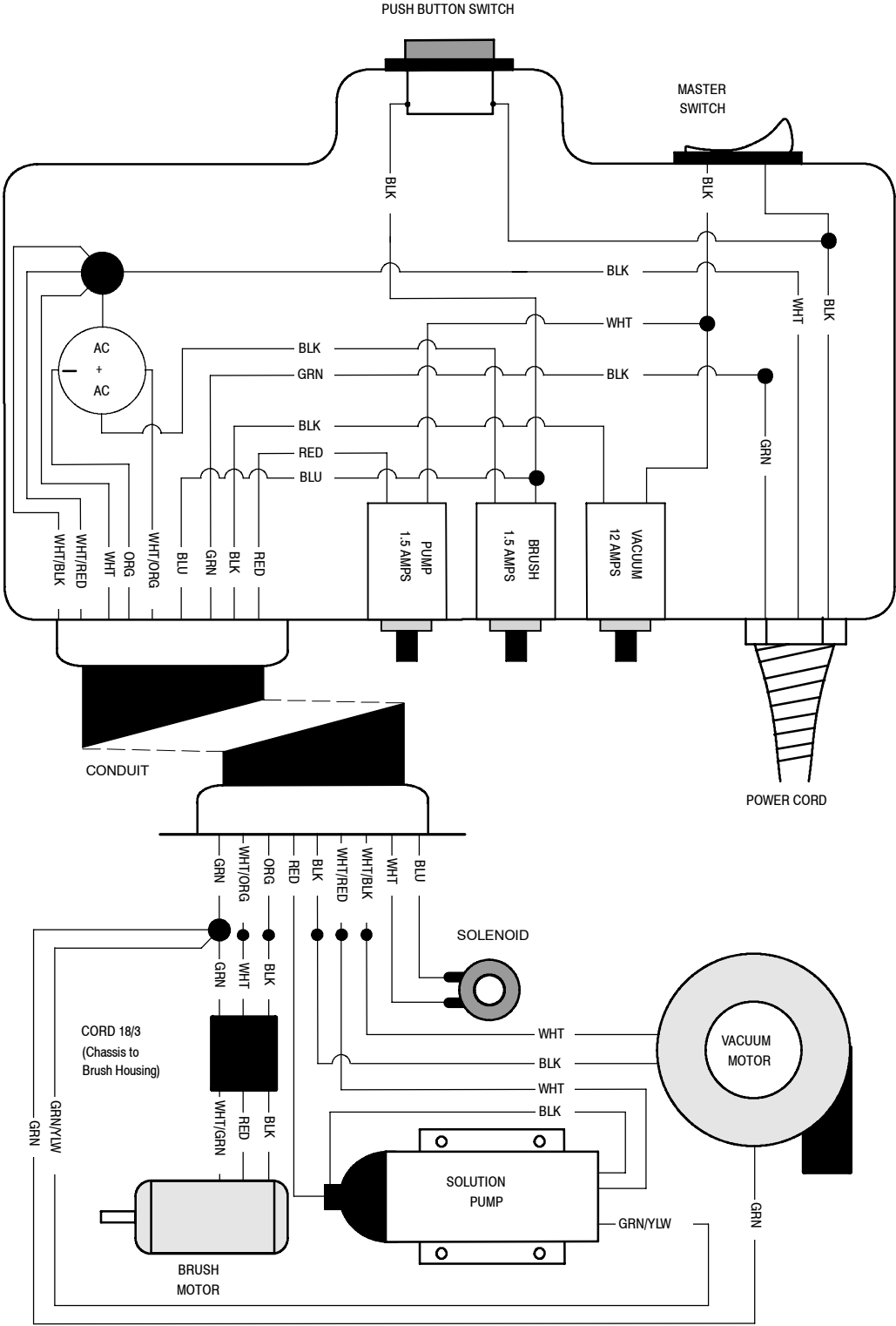
<b>PROBLEMA</b>	<b>CAUSA</b>	<b>SOLUCIÓN</b>
La máquina no funciona.	Cableado o interruptores averiados.	Contactar con el Servicio Técnico
	Cable eléctrico defectuoso.	Contactar con el Servicio Técnico
	Cortacircuitos del edificio activado.	Reajustar el cortacircuitos.
La bomba de la disolución no funciona.	Sobrecalentamiento de la bomba.	Determinar la causa y esperar 20 minutos a que la bomba se enfríe.
	Bomba de la disolución defectuosa.	Contactar con el Servicio Técnico
	Solenoides defectuosos.	Contactar con el Servicio Técnico
	Interruptor defectuoso	Contactar con el Servicio Técnico
	Cables rotos o sueltos.	Contactar con el Servicio Técnico
Motor de aspiración no funciona.	Sobrecarga térmica del motor de aspiración	Controlar si está bloqueado el flujo de aire, esperar 20 minutos a que el motor se enfríe.
	Cables rotos o sueltos.	Contactar con el Servicio Técnico
	Interruptor de aspiración / de la bomba defectuoso.	Contactar con el Servicio Técnico
	Motor de aspiración averiado.	Contactar con el Servicio Técnico
	Cepillos de carbón gastados.	Sustituir los cepillos o llamar al servicio técnico.
El motor del cepillo no funciona.	Cortacircuitos del motor del cepillo activado.	Retirar la obstrucción del cepillo o reajustar la altura del cepillo. Reajustar el botón del cortacircuitos del cepillo de la caja de interruptores.
	No se ha pulsado del botón del cepillo / pulverización.	Pulsar el botón del cepillo / pulverización.
	Motor del cepillo defectuoso.	Contactar con el Servicio Técnico
	Correa del cepillo floja o rota.	Contactar con el Servicio Técnico
	Cableado o interruptor averiados.	Contactar con el Servicio Técnico
Recogida insuficiente	Tapón de la manguera de vaciado mal cerrado.	Cierre bien el tapón de la manguera de vaciado.
	Filtro del flotador de cierre bloqueado.	Retirar el domo de recuperación y limpiar la pelusa del filtro.
	Fuga de aire alrededor del domo de recuperación.	Apriete los botones del domo de recuperación o sustituya las juntas.
	Conexiones de la manguera de aspiración sueltas.	Fijar bien las conexiones.
	Manguera de aspiración defectuosa.	Sustituir la manguera
	Conexiones de la manguera de aspiración sueltas.	Fijar bien las conexiones a la manguera.
	La máquina se desplaza demasiado rápido.	Reduzca la velocidad de la operación de limpieza.
Pulverización irregular o inexistente	Puntas de pulverización sucias o bloqueadas.	Limpiar o sustituir las puntas.
	Tamaño o ángulo de la punta de pulverización incorrectos.	Sustituir por las puntas correctas.
	Puntas de pulverización gastadas.	Sustituir las puntas de pulverización.
	Nivel del depósito de la disolución bajo o vacío.	Rellenar el depósito de la disolución.
	Bomba de la disolución defectuosa.	Contactar con el Servicio Técnico
	Filtro del depósito de la disolución bloqueado.	Limpiar filtro.

# OPERACIÓN

## ESPECIFICACIONES

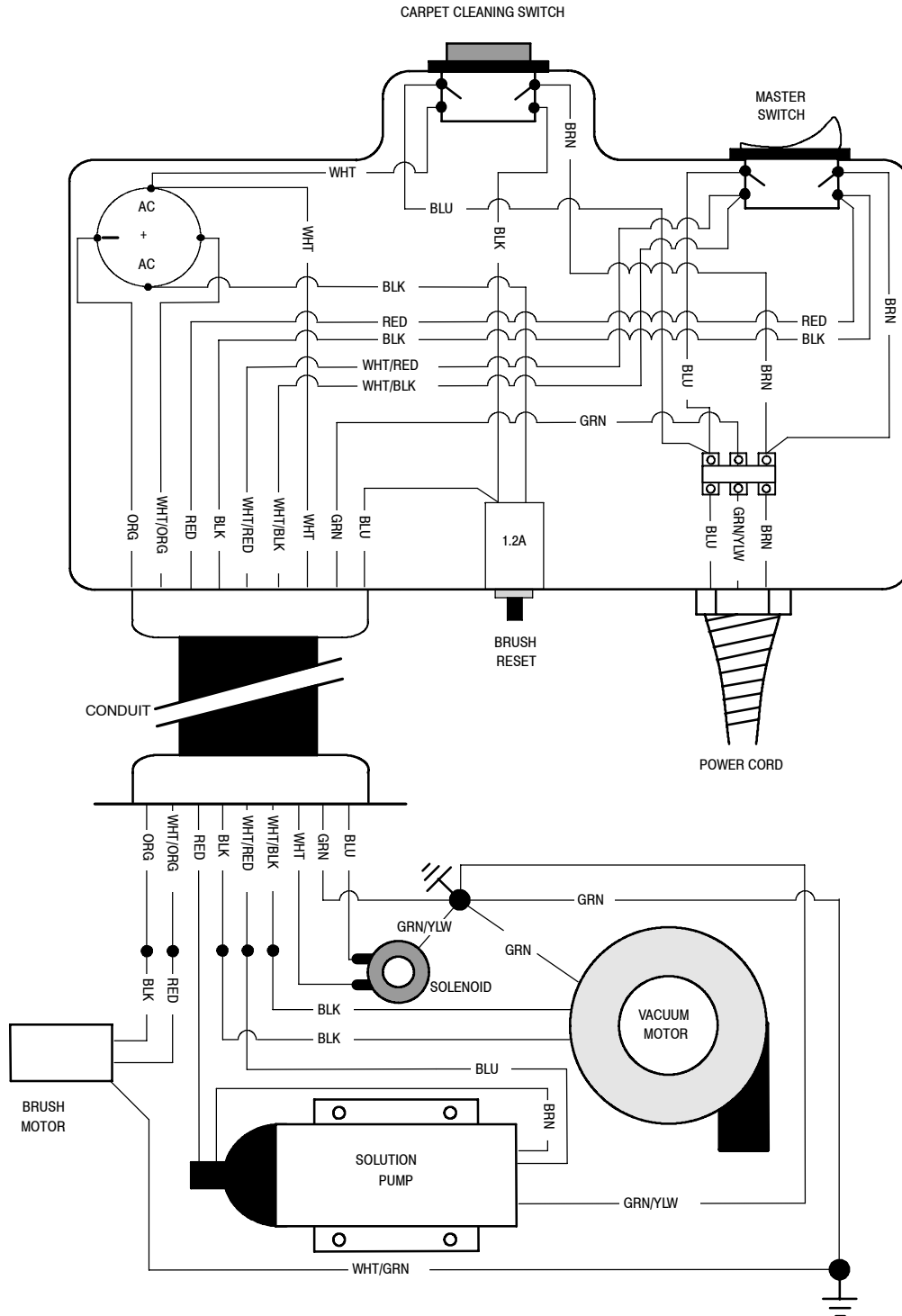
Modelo	1240	1260
LONGITUD	1092 mm (43 pul.)	1092 mm (43 pul.)
ANCHURA	406 mm (16 pul.)	508 mm (20 pul.)
ALTURA	864 mm (34 pul.)	864 mm (34 pul.)
PESO	41 Kg (89 lb)	42 Kg (90 lb)
CAPACIDAD DEL DEPÓSITO DE LA DISOLUCIÓN	38 L (10 gal)	38 L (10 gal)
CAPACIDAD DEL DEPÓSITO DE RECUPERACIÓN	55 L (14.5 gal)	55 L (14.5 gal)
ANCHURA DEL CARRIL DE LIMPIEZA	406 mm (16 pul.)	508 mm (20 pul.)
VELOCIDAD MÁXIMA DE LIMPIEZA	1951m <sup>2</sup> (21,000 sq. ft) por hora	2415m <sup>2</sup> (26,000 sq. ft.) por hora
MOTOR DEL CEPILLO	120V, .1hp, .75A, 90W, 1800 rpm	120V, .1hp, .75A, 90W, 1800 rpm
	230V/240 V, .16 hp, .5A,.12kW, 2100 rpm	230V, .16 hp, .5A,.12kW, 2100 rpm
VELOCIDAD DEL CEPILLO	1200 rpm	1200 rpm
BOMBA DE LA DISOLUCIÓN	120V, 6.9bar (100psi), 1A	120V, 6.9bar (100psi), 1A
	230V/240V, 100 psi, .16 hp,.5A, .12kW	230V/240V, 100 psi, .16 hp,.5A, .12kW
MOTOR DE ASPIRACIÓN	120V, 1.8 hp, 13A, 1560W, 3 stage	120V, 1.8 hp, 13A, 1560W, 3 stage
	230V/240V,1.8 hp, 5.8 A, 1.4kW, 2 stage	230V/240V,1.8 hp, 5.8A, 1.4kW, 2 stage
ELEVACIÓN SELLADA DE AGUA	3.5 m (137 pul.)	3.5 m (137 pul.)
POTENCIA TOTAL	120V, 14.2, 1710W	120V, 14.2, 1710W
	230V/240V, 6.5A, 1.64kW	230V/240V, 6.5A, 1.64kW
DECIBELIOS A LA ALTURA DEL OPERARIO EN RECINTO CERRADO CON SUELO ENMOQUETADO.	>70dB(A)	>70dB(A)

120V WIRING DIAGRAM  
DIAGRAMA DE CABLEADO

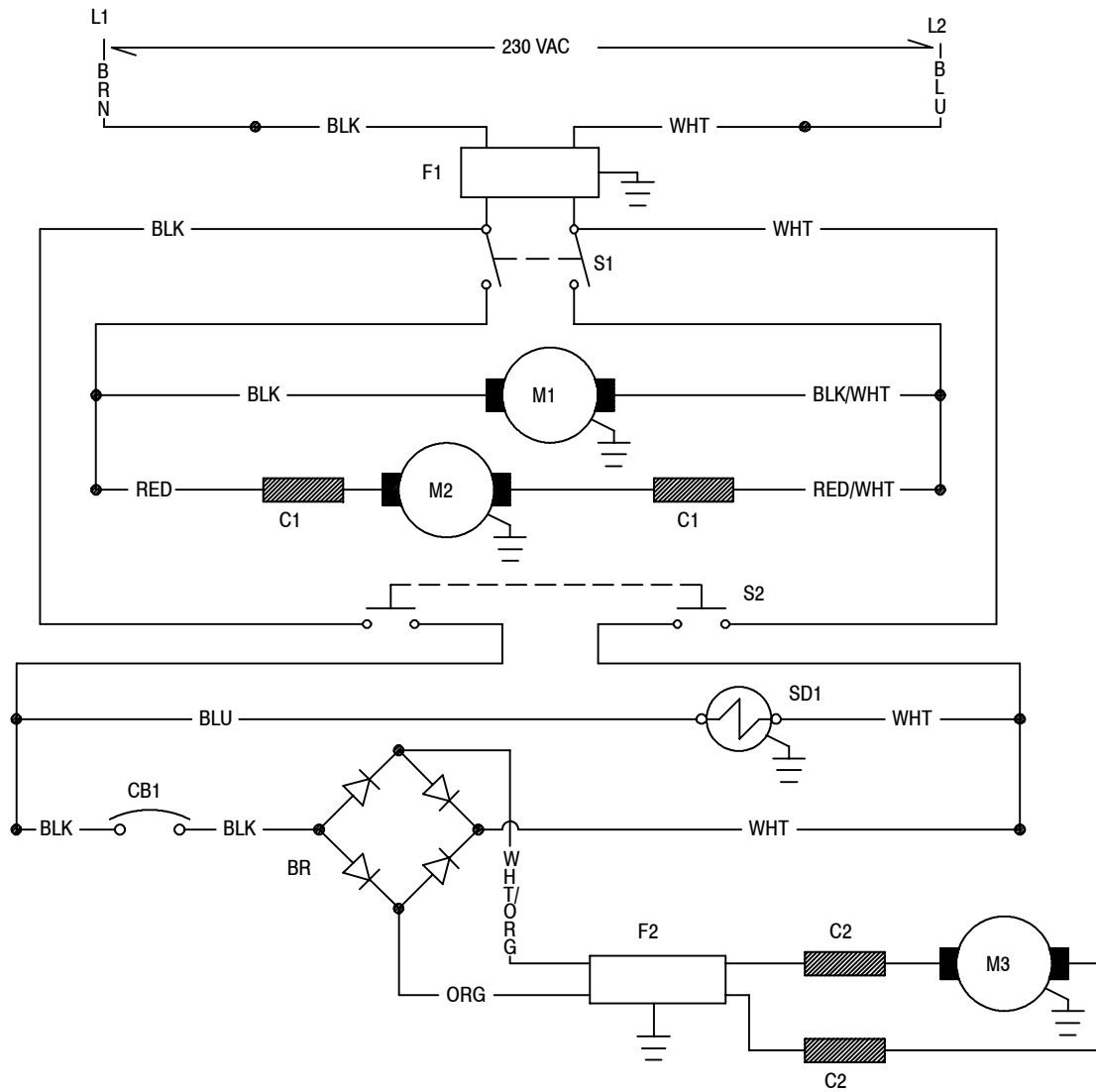


# ELECTRICAL DIAGRAMS DIAGRAMAS ELECTRICAS

## 230V/240V WIRING DIAGRAM DIAGRAMA DE CABLEADO



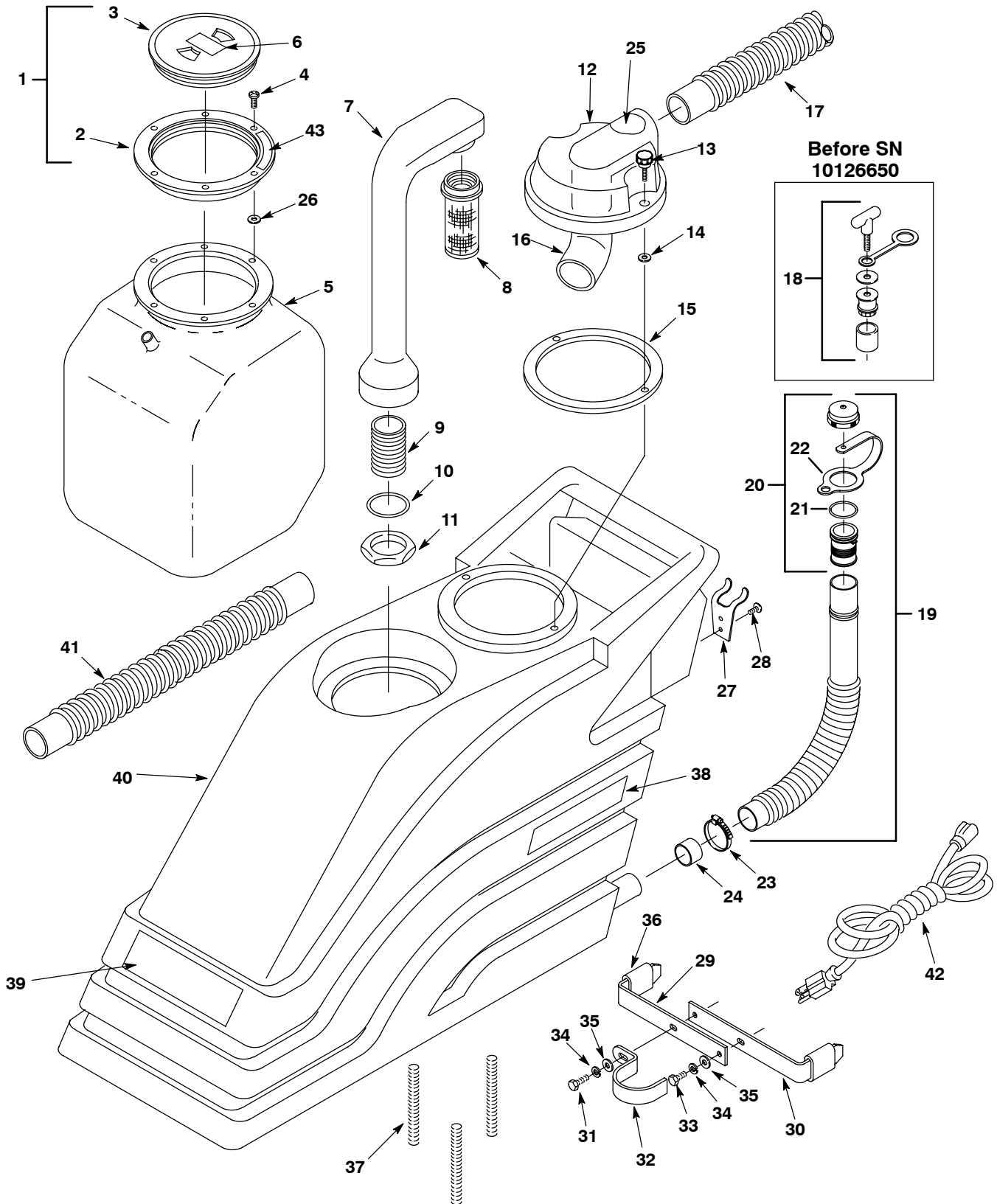
240V EMC LADDER DIAGRAM  
DIAGRAMA ESCALONADO



REF LEGEND

- RED= Red
- BLK= Black
- WHT= White
- ORG= Orange
- BLU= Blue
- BRN= Brown
- S1= Switch, Vac
- S2= Switch, Brush
- M1= Motor, Vacuum
- M2= Pump
- M3= Motor, Brush
- SD1= Valve, Solenoid
- CB1 = Circuit Breaker
- F 1= Filter, RFI
- F 2= Brush Filter, RFI
- BR= Bridge Rectifier
- C1= Choke, RFI
- C2= Choke, RFI

RECOVERY TANK GROUP  
CONJ. DEPOSITO RECUPERAR





**RECOVERY TANK GROUP**  
**CONJ. DEPOSITO RECUPERAR**

REF	PART #	DESCRIPTION	QTY.
▽ 1	100103	●ASSEMBLY, LID	1
▲ 2	600812	LID, OUTER RING	1
▲ 3	100105	LID, CENTER	1
4	140900	SCREW, 10-24X3/4	6
5	1006364	BLADDER, TANK	1
6	120906	DECAL, IMPORTANT-DRAIN	1
7	602448	STAND PIPE	1
8	180613	●FLOAT, SHUT-OFF	1
9	606088	FITTING, 1-1/2" NIPPLE CPVC	1
10	230159	O-RING	1
11	210240	NUT, FLANGED METAL 1-1/2 FPT	1
▽	602497	ASSEMBLY, DOME	1
▲ 12	100112	DOME, VACUUM	1
▲ 13	240217	KNOB, DOME	2
▲ 14	140037	WASHER, NYLON	2
▲ 15	100042	●GASKET, RECOVERY DOME	1
▲ 16	230834	FITTING 1-1/2SX1-1/2S45 PVC-40	1
17	160464	●HOSE, VAC, 11/2"X53" W/ CUFFS	1
18	N/A	ASSEMBLY, DRAIN HOSE - <b>REPLACED BY ITEM #19</b>	1
▽ 19	1007072	●HOSE, DRAIN, ASSY, 1.5D X 21.9L	1
▲▽20	1008639	●CAP, DRAIN ASSY	1
▲21	1008637	●O-RING, 1.48" ID, 1.76" OD	1
▲22	1019563	●STRAP, DRAIN CAP	1
23	11531	CLAMP, HOSE, WORMDRIVE, 1.06-2.00D, .56W	1
24	1009610	SLEEVE, HOSE ADAPTER 1.5-1.25	1

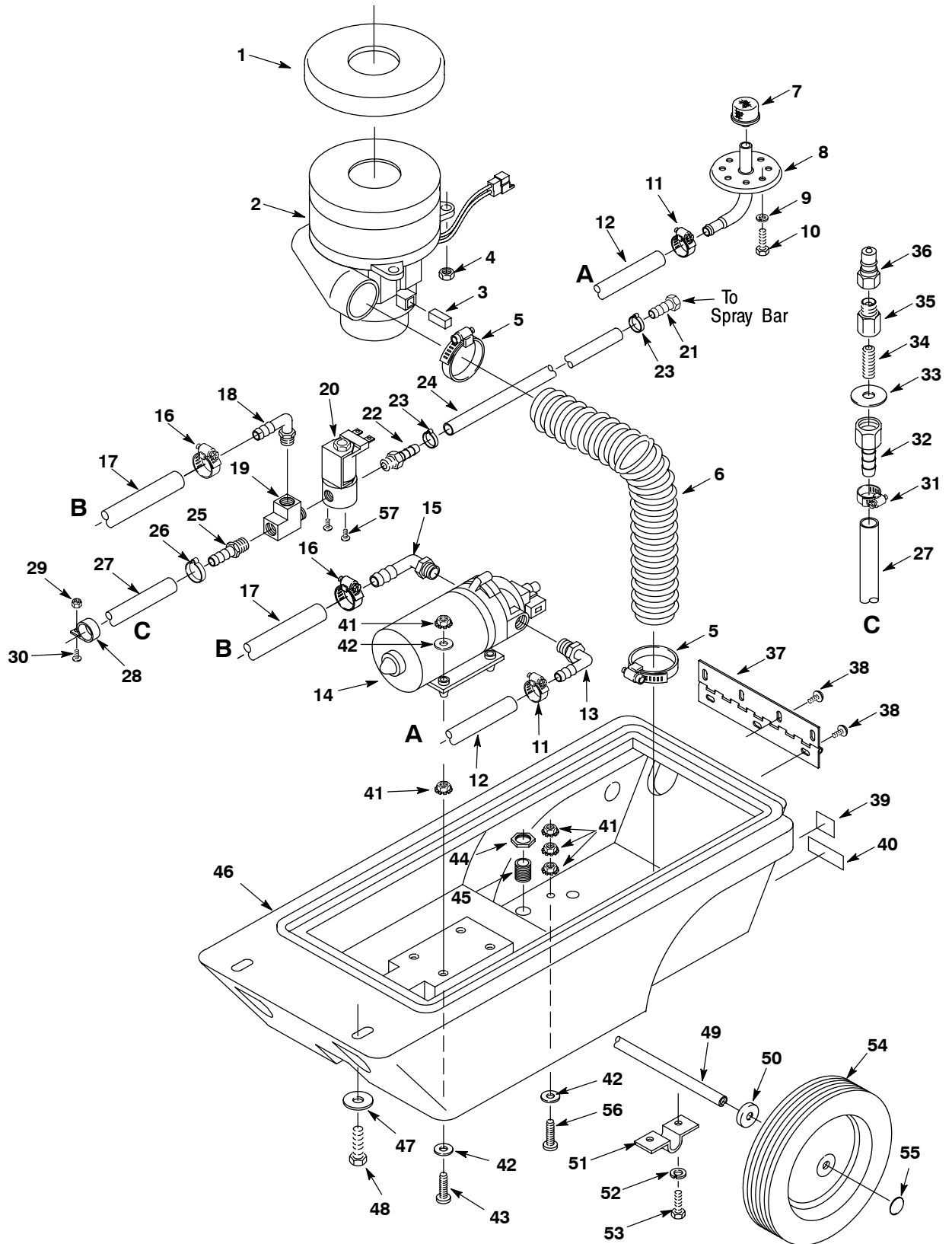
REF	PART #	DESCRIPTION	QTY.
25	120399	DECAL "DO NOT ALLOW FOAM"	1
26	140000	WASHER, FLAT	6
27	611978	BRACKET, HOSE HGR.	1
28	140826	SCREW, #6X3/4	2
29	230844	BRACKET W/ HOLES, TANK BRACE	1
30	230843	BRACKET W/ THDS, TANK BRACE	1
31	140259	SCREW, 1/4-20X5/8	1
32	230955	CLAMP, TANK BRACE	1
33	140553	SCREW, 1/4-20X1/2	1
34	140016	WASHER, 1/4 LOCK	2
35	140000	WASHER, FLAT	2
36	102569	GASKET, TANK	1
37	140227	SCREW, STUD, 1/4-20X5	3
38	1022296	DECAL, 1240	2
	1022295	DECAL, 1260	2
39	120210	DECAL, TENNANT LOGO	1
40	607851	TANK, RECOVERY, TEAL	1
41	160424	●HOSE, CLEANOUT 1.5"X36"	1
42	130250	●CORD, 16/3X50' YELLOW (120V)	1
43	120907	DECAL, IMPORTANT - ALWAYS CLOSE	1

▽ ASSEMBLY / CONJUNTO

▲ INCLUDED IN ASSEMBLY / INCLUIDO EN EL CONJUNTO

● RECOMMENDED STOCK ITEMS / ARTICULOS RECOMENDADOS PARA  
MANTENER EN EXISTENCIA

CHASSIS GROUP  
CONJUNTO TELAIO



**CHASSIS GROUP**  
**CONJUNTO TELAIO**

REF	PART #	DESCRIPTION	QTY.
1	100118	●GASKET, MOTOR VAC, 120V	1
	100038	●GASKET, MOTOR VAC, 230V/240V	1
2	130996	●MOTOR, VAC 5.7/3 STG 120V	1
	130416	●MOTOR, VAC 5.7/3 STG 120V	1
	130403	●MOTOR, VAC 5.7/2 STG 230V/240V	1
3	602741	●BRUSH, CARBON, 120V (130996 MOTOR) - 2/PK	2
	190160	●BRUSH, CARBON, 120V (130416 MOTOR) - 2/PK	2
	190158	●BRUSH, CARBON, 230V/240V (130403 MOTOR) - 2/PK	2
4	140501	NUT, NYLOCK, 1/4-20	4
5	140308	CLAMP, HOSE	2
6	1022164	●HOSE, VACUUM, 2.00ID X 26.0L	1
7	180628	●SCREEN, TANK	1
8	600451	BLADDER PLATE	1
9	140016	WASHER, LOCK	4
10	140259	SCREW, 1/4-20X5/8	4
11	140310	CLAMP, HOSE	2
12	606245	HOSE, 3/8"X31.9" LP	1
13	150412	ELBOW, 3/8MX3/8H	1
14	180103	●PUMP, 100PSI, 120V	1
	180109	●PUMP, 100PSI, 230V/240V	1
15	150425	ELBOW, 3/8MX1/2H	1
16	630369	CLAMP, HOSE	2
17	607705	HOSE, 1/2"X24"	1
V	700404	●ASM., VALVE, SOLENOID, 120V 60HZ	1
	601128	●ASM., VALVE, SOLENOID, 230V 50HZ	1
	604234	●ASM., VALVE, SOLENOID, 230V 60HZ	1
	700494	●ASM., VALVE, SOLENOID, 240V 50HZ	1
▲ 18	150415	FITTING, 1/4MX3/8H ELBOW 90 NY	1
▲ 19	150709	TEE, 1/4"	1

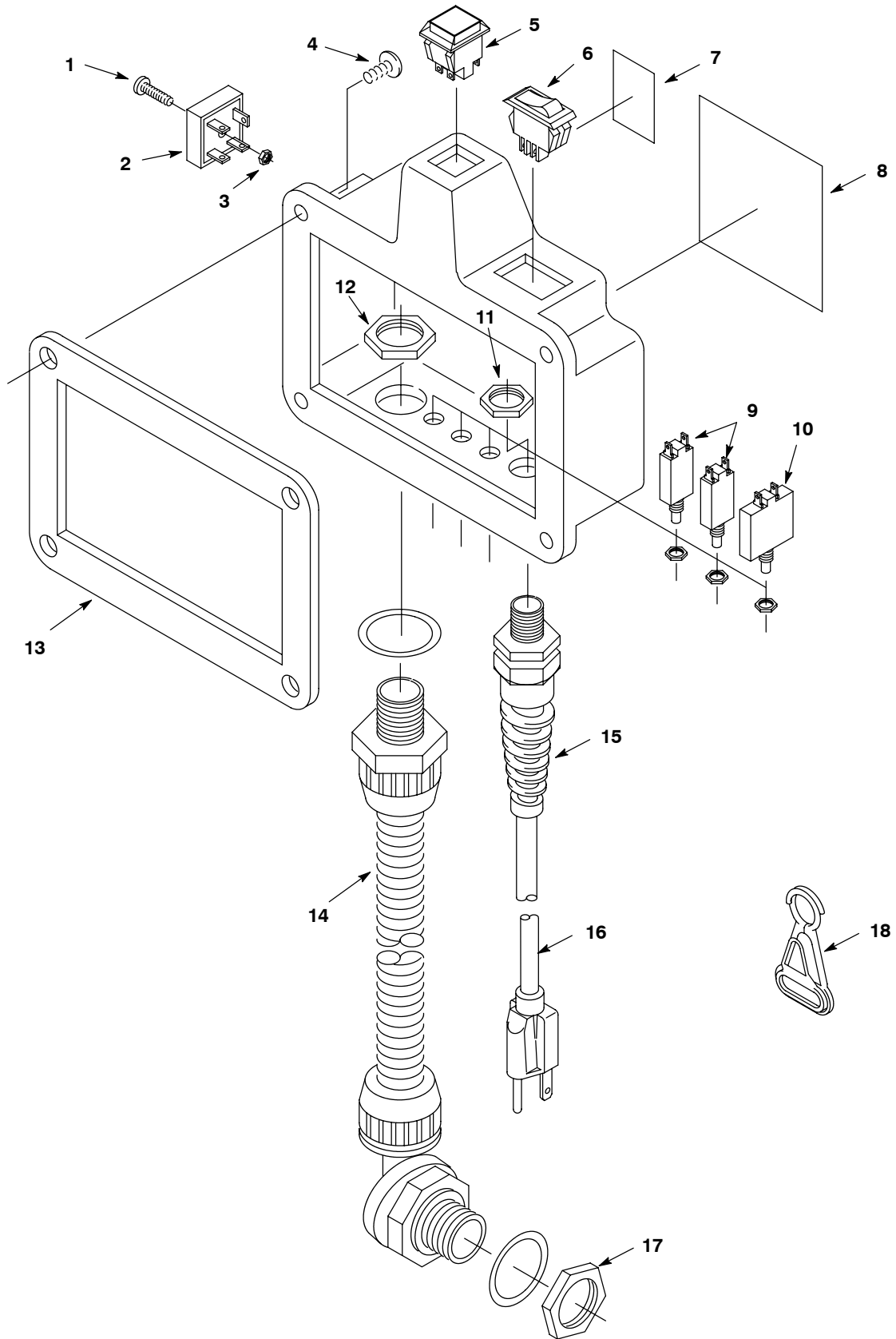
∇ ASSEMBLY / CONJUNTO

▲ INCLUDED IN ASSEMBLY / INCLUIDO EN EL CONJUNTO

● RECOMMENDED STOCK ITEMS / ARTICULOS RECOMENDADOS PARA MANTENER EN EXISTENCIA

REF	PART #	DESCRIPTION	QTY.
▲ 20	210033	●VALVE, SOLENOID, 120V 60HZ	1
	210036	●VALVE, SOLENOID, 230V 50HZ	1
	604073	●VALVE, SOLENOID, 230V 60HZ	1
	210260	●VALVE, SOLENOID, 240V 50HZ	1
▲ 21	150526	FITTING, BARB 1/4FX1/4H	1
▲ 22	150515	FITTING, BARB 1/4MX1/4H	1
▲ 23	140325	CLAMP, EAR	2
▲ 24	606244	HOSE, 1/4"X16" LP	1
▲ 25	150517	FITTING, BARB 1/4MX1/2H	1
▲ 26	140301	CLAMP	1
▲ 27	606246	HOSE, 3/8"X52" LP	1
28	140916	CLAMP, EAR	1
29	140552	NUT, 10-24 NYLOCK	3
30	140823	SCREW, 10-24X5/8	1
31	140310	CLAMP, HOSE	1
32	150511	FITTING, BARB 1/4FX3/8H	1
33	140008	WASHER, FLAT	1
34	150600	NIPPLE, 1/4"X2"	1
35	150000	ADAPTER, 1/4FX1/4M	1
36	150933	●PLUG, QUICK COUPLER	1
37	230390	HINGE, SOL/REC TANK	1
38	140885	SCREW, 1/4-20X1/2	7
39	N/A	DECAL, SERIAL TAG	1
40	120619	DECAL, WARNING EXTRACT.	1
41	140519	NUT, 10-24 KEP	11
42	140011	WASHER, FLAT	7
43	1014262	SCREW, PAN, #10-24X1.50 PHL	4
44	140504	NUT, CONDUIT LOCK 1/2"	1
45	130181	GRIP, CORD	1
46	608536	CHASSIS, TEAL	1
47	140028	WASHER, FLAT	2
48	69225	SCREW, HEX, .38-16 X 1.00, SS	2
49	230739	AXLE, .50DIA X 13.12"	1
50	140008	WASHER, FLAT	2
51	230746	BRACKET, AXLE OFFSET	2
52	140016	WASHER, 1/4 LOCK	4
53	140259	SCREW, 1/4-20X5/8	4
54	103068	●WHEEL, 25.4CM	2
55	103019	CAP, HUB	2
56	140804	SCREW, 10-24X1	1
57	140801	SCREW, 8-32X3/8	2

**CONTROL CONSOLE GROUP (120V)**  
**CONJUNTO CONSOLA DE CONTROLES (120V)**



**CONTROL CONSOLE GROUP (120V)**  
**CONJUNTO CONSOLA DE CONTROLES (120V)**

REF	PART #	DESCRIPTION	QTY.
▽	612273	CONTROLBOX ASSEMBLY	1
▲ 1	140335	SCREW, RND, #10-24X1, SLOT,	1
▲ 2	130304	●RECTIFIER, BRIDGE 600V	1
▲ 3	140336	NUT, HEX, #10-24 NY	1
4	140885	SCREW, 1/4-20X1/2	4
▲ 5	130441AM	●SWITCH, BRUSH/SPRAY, 120V	1
▲ 6	130717AM	●SWITCH, ROCKER, 120V	1
▲ 7	603829	DECAL, ON/OFF	1
▲ 8	1026384	LABEL, WARNING [EXPL, FIRE, SHK EN/FR/ES]	1
▲ 9	578337000AM	●BREAKER, CIRCUIT 1.5AMP (120V)	2

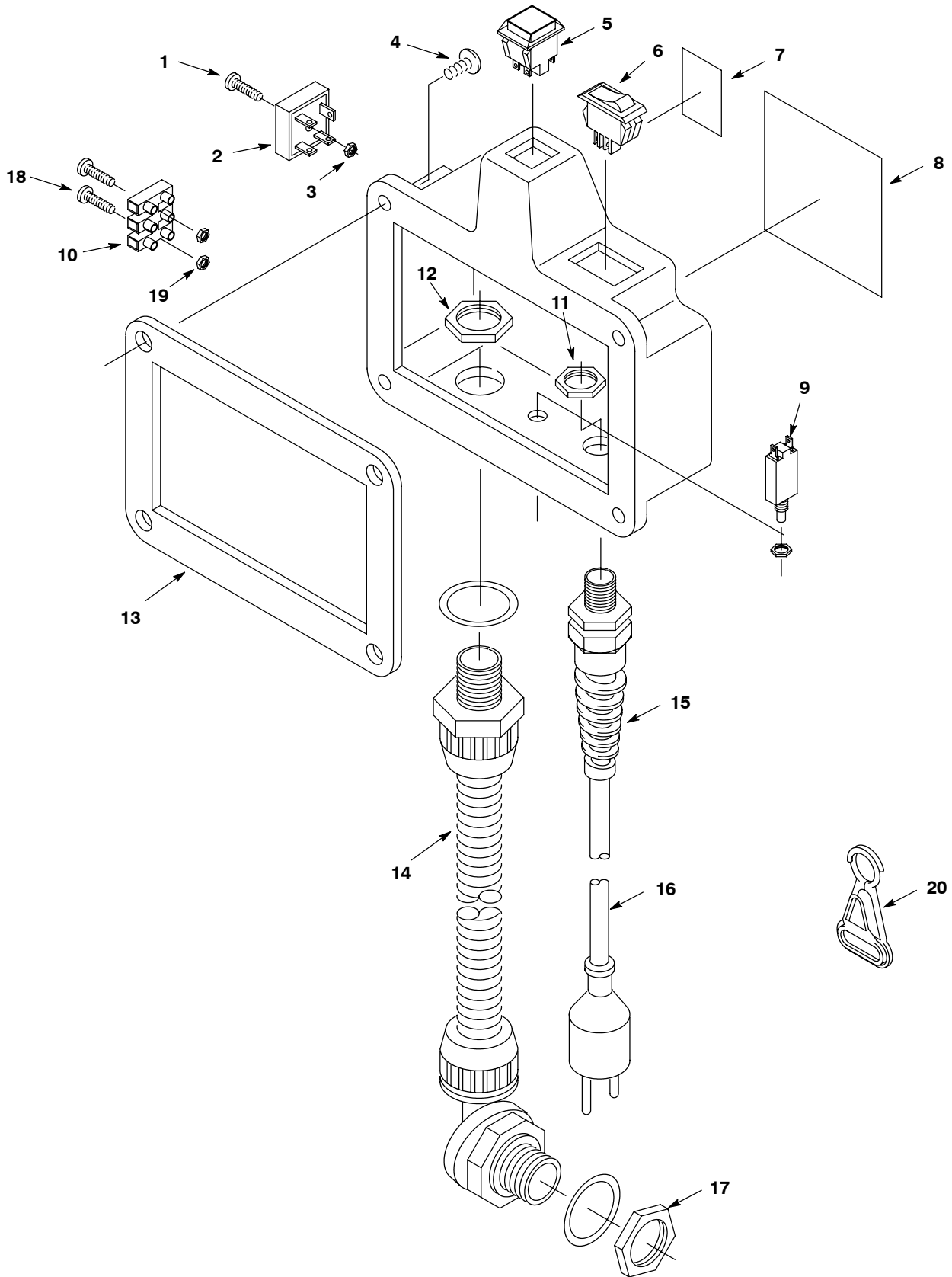
REF	PART #	DESCRIPTION	QTY.
▲ 10	130670AM	●BREAKER, CIRCUIT 12AMP (120V)	1
▲ 11	612922	NUT, 3/8 CONDUIT	1
▲ 12	140504	NUT, CONDUIT LOCK 1/2"	1
13	603041	GASKET, SWITCH BOX	1
▲ 14	130977	HARNESS, WIRING	1
▲ 15	130166	GRIP, CORD, STRAINRELIEF	1
▲ 16	130237	CORD, POWER 120V, 16/3 18 INCH	1
17	140638	NUT, CONDUIT 1/2 NPT	1
18	130176	●CLIP, BELT, STRAIN RELIEF	1

▽ ASSEMBLY / CONJUNTO

▲ INCLUDED IN ASSEMBLY / INCLUIDO EN EL CONJUNTO

● RECOMMENDED STOCK ITEMS / ARTICULOS RECOMENDADOS PARA  
MANTENER EN EXISTENCIA

CONTROL CONSOLE GROUP (230V/240V)  
CONJUNTO CONSOLA DE CONTROLES (230V/240V)



**CONTROL CONSOLE GROUP (230V/240V)**  
**CONJUNTO CONSOLA DE CONTROLES (230V/240V)**

REF	PART #	DESCRIPTION	QTY.
▽	609927	CONTROLBOX ASSEMBLY	1
▲ 1	140335	SCREW, RND, #10-24X1, SLOT,	1
▲ 2	130304	●RECTIFIER, BRIDGE 600V	1
▲ 3	140336	NUT, HEX, #10-24 NY	1
4	140885	SCREW, 1/4-20X1/2	4
▲ 5	130716	●SWITCH, BRUSH/SPRAY, 230V/240V	1
▲ 6	130764	●SWITCH, ROCKER, 230V/240V	1
▲ 7	603829	DECAL, ON/OFF	1
▲ 8	1026384	LABEL, WARNING [EXPL,FIRE,SHK EN/FR/ES]	1
▲ 9	130747AM	●BREAKER, CIRCUIT 1.2AMP (230V/240V)	1

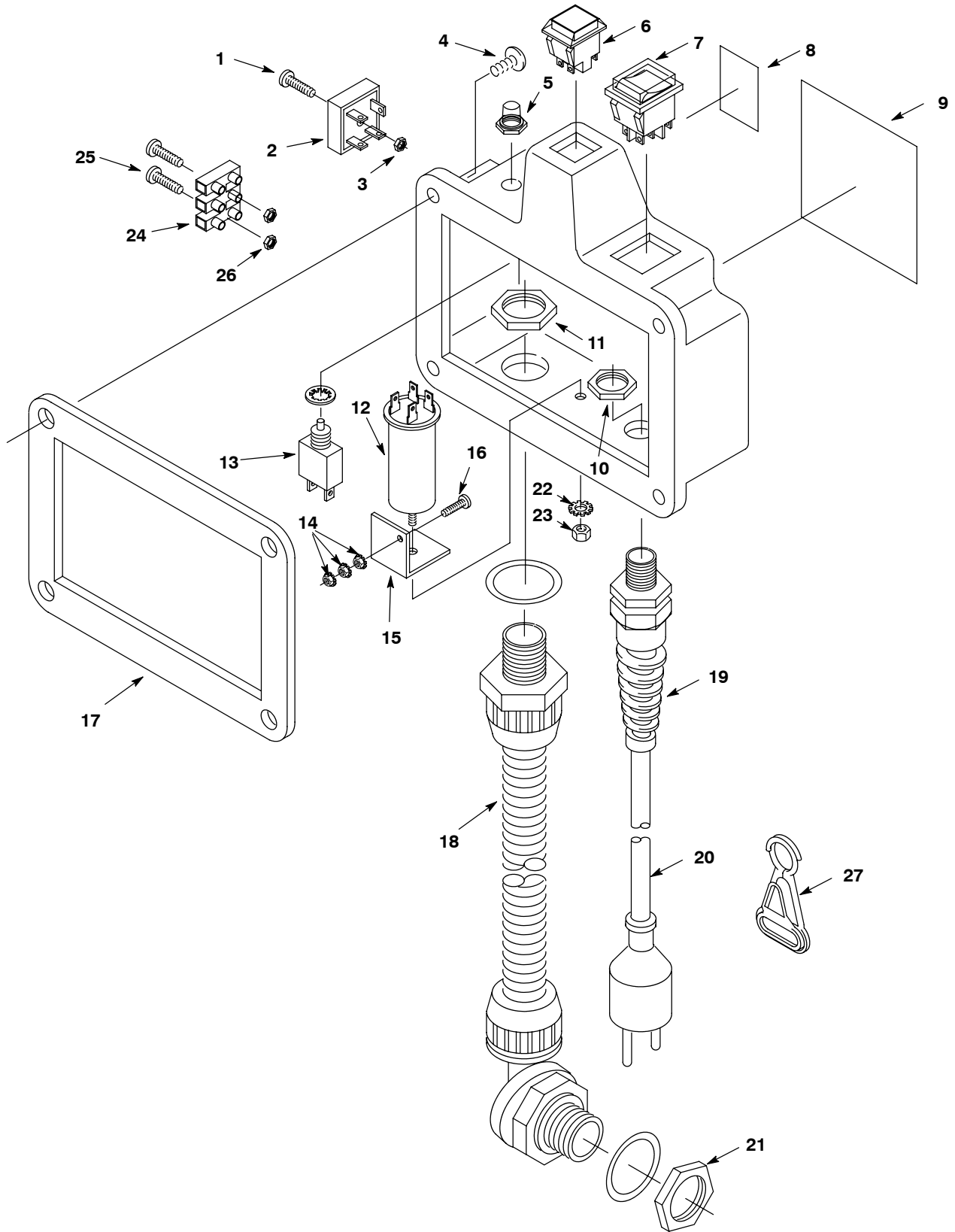
REF	PART #	DESCRIPTION	QTY.
▲ 10	130005	●TERMINAL STRIP 230V/240V	1
▲ 11	140549	NUT, 3/8 CONDUIT	1
▲ 12	140504	NUT, CONDUIT LOCK 1/2"	1
13	603041	GASKET, SWITCH BOX	1
▲ 14	130977	HARNES, WIRING	1
▲ 15	130137	GRIP, CORD, STRAINRELIEF	1
▲ 16	600398	CORD, POWER, 1.0MM2/3 12M	1
17	140638	NUT, CONDUIT 1/2 NPT	1
▲ 18	140879	SCREW, 6-32X3/4	2
▲ 19	140534	NUT, 6-32	2
20	130176	●CLIP, BELT, STRAIN RELIEF	1

▽ ASSEMBLY / CONJUNTO

▲ INCLUDED IN ASSEMBLY / INCLUIDO EN EL CONJUNTO

● RECOMMENDED STOCK ITEMS / ARTICULOS RECOMENDADOS PARA  
MANTENER EN EXISTENCIA

**CONTROL CONSOLE GROUP (240V EMC)**  
**CONJUNTO CONSOLA DE CONTROLES (240V EMC)**





**CONTROL CONSOLE GROUP (240V EMC)**  
**CONJUNTO CONSOLA DE CONTROLES (240V EMC)**

REF	PART #	DESCRIPTION	QTY.
▽	609933	CONTROLBOX ASSEMBLY	1
▲ 1	140335	SCREW, RND, #10-24X1, SLOT,	1
▲ 2	130304	●RECTIFIER, BRIDGE 600V	1
▲ 3	140336	NUT, HEX, #10-24 NY	1
4	140885	SCREW, 1/4-20X1/2	4
▲ 5	578734	●BOOT, CIRCUIT BREAKER	1
▲ 6	603410	●SWITCH, BRUSH/SPRAY, 240V	1
	130765	●BOOT, SWITCH	1
▲ 7	602670	●SWITCH, VAC/PUMP	1
8	603829	DECAL, ON/OFF	1
▲ 9	1026384	LABEL, WARNING [EXPL,FIRE,SHK EN/FR/ES]	1
▲ 10	140549	NUT, 3/8 CONDUIT	1
▲ 11	140504	NUT, CONDUIT LOCK 1/2"	1
▲ 12	600383	●FILTER, RFI	1

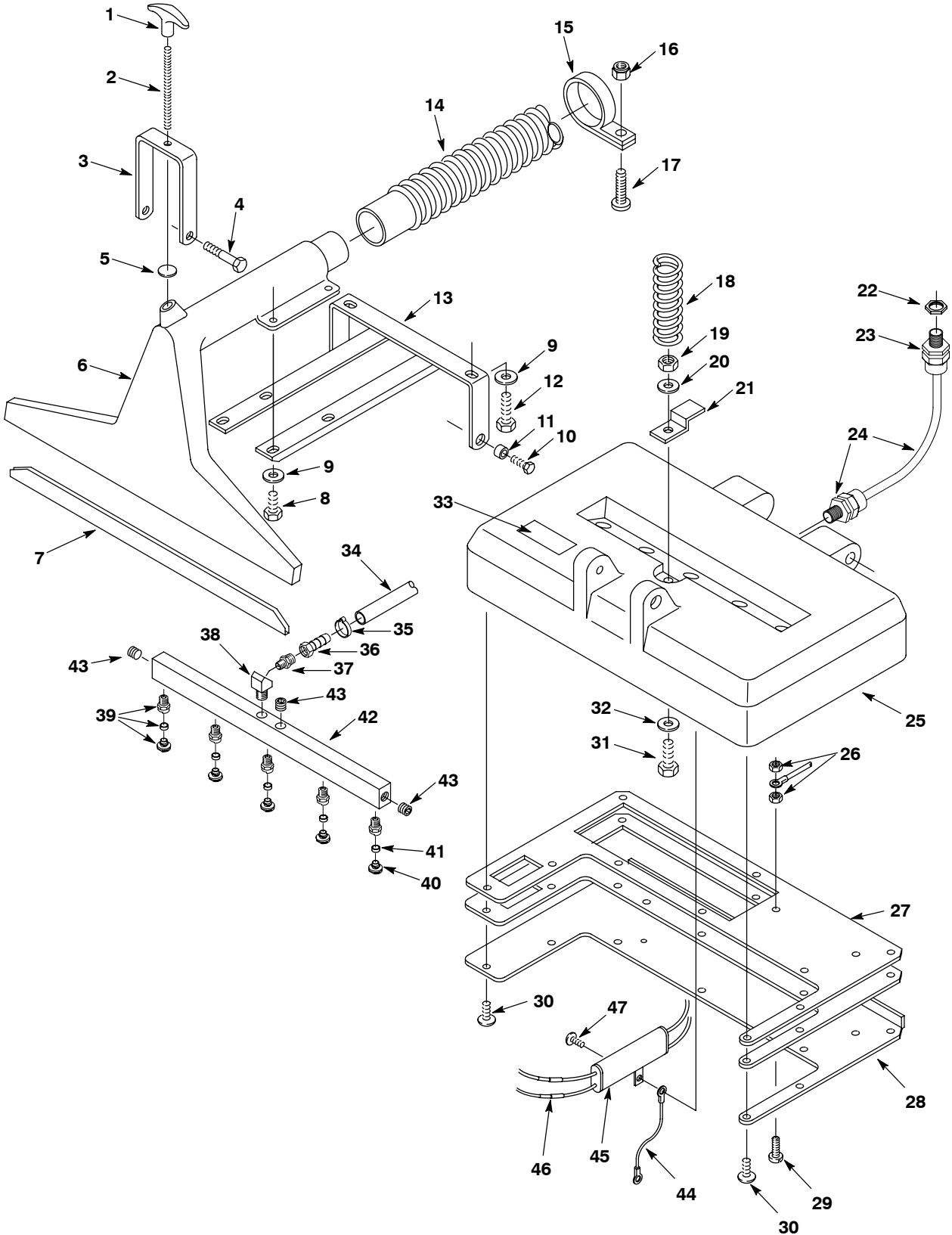
REF	PART #	DESCRIPTION	QTY.
▲ 13	130747	●BREAKER, CIRCUIT 1.2AMP	1
▲ 14	140519	NUT, KEP	3
▲ 15	603957	BRACKET, RFI FILTER	1
▲ 16	140823	SCREW	1
17	603041	GASKET, SWITCH BOX	1
▲ 18	130977	HARNESS, WIRING	1
▲ 19	130166	GRIP, CORD, STRAINRELIEF	1
▲ 20	1033678	CORD, POWER, ELE, 1.5MM X 15M, BLK	1
21	140638	NUT, CONDUIT 1/2 NPT	1
▲ 22	140062	WASHER 5/16 EXT ZN	1
▲ 23	200101017	NUT M8X1.25 HXJM	1
▲ 24	130005	●TERMINAL STRIP 230V/240V	1
▲ 25	140879	SCREW, 6-32X3/4	2
▲ 26	140534	NUT, 6-32	2
27	130176	●CLIP, BELT, STRAIN RELIEF	1

▽ ASSEMBLY / CONJUNTO

▲ INCLUDED IN ASSEMBLY / INCLUIDO EN EL CONJUNTO

● RECOMMENDED STOCK ITEMS / ARTICULOS RECOMENDADOS PARA  
MANTENER EN EXISTENCIA

BRUSH HOUSING GROUP  
GRUPO DEL BASTIDOR DEL CEPILLO



**BRUSH HOUSING GROUP**  
**GRUPO DEL BASTIDOR DEL CEPILLO**

REF	PART #	DESCRIPTION	QTY.
1	240194	KNOB, HEIGHT ADJ.	1
2	230258	STUD, THREADED	1
3	230461.BK	BRACKET, HEIGHT ADJ., BLACK	1
4	140564	SCREW, SHOULDER, 3/8X3/4	2
5	140919	SPACER	1
6	230706.BK	TOOL, PICK UP, BLACK (1240 MODEL)	1
	230840.BK	TOOL, PICK UP, BLACK (1260 MODEL)	1
7	200956	SHOE (1240 MODEL)	2
	200825	SHOE (1260 MODEL)	2
8	140219	SCREW, 5/16-18X1	4
9	140015	WASHER, 5/16 SPLTLCK	6
10	140898	SCREW, 3/8-16X3/4	2
11	140914	SPACER	2
12	140226	SCREW, 5/16-18X5/8	2
13	230459.BK	BRACKET, BRUSH MTNG.	1
14	160464	●HOSE, VAC, 11/2"X53" W/ CUFFS	1
15	140327	CLAMP, 1-1/2" DIA. NYLON	1
16	140552	NUT, 10-24 NYLOCK	1
17	140804	SCREW, 10-24X1	1
18	140441	SPRING	1
19	140515	NUT, 3/8-16 NYLOCK	1
20	140028	WASHER, FLAT 3/8	2
21	230264.BK	CLAMP, SPRAY BAR	1
22	140504	NUT, CONDUIT LOCK 1/2"	1
23	130181	GRIP, CORD	2
24	130662	CORD, 24"	1
25	607864	HOUSING, BRUSH, TEAL (1240 MODEL)	1
	607847	HOUSING, BRUSH, TEAL (1260 MODEL)	1
26	140519	NUT, 10-24 KEP	3

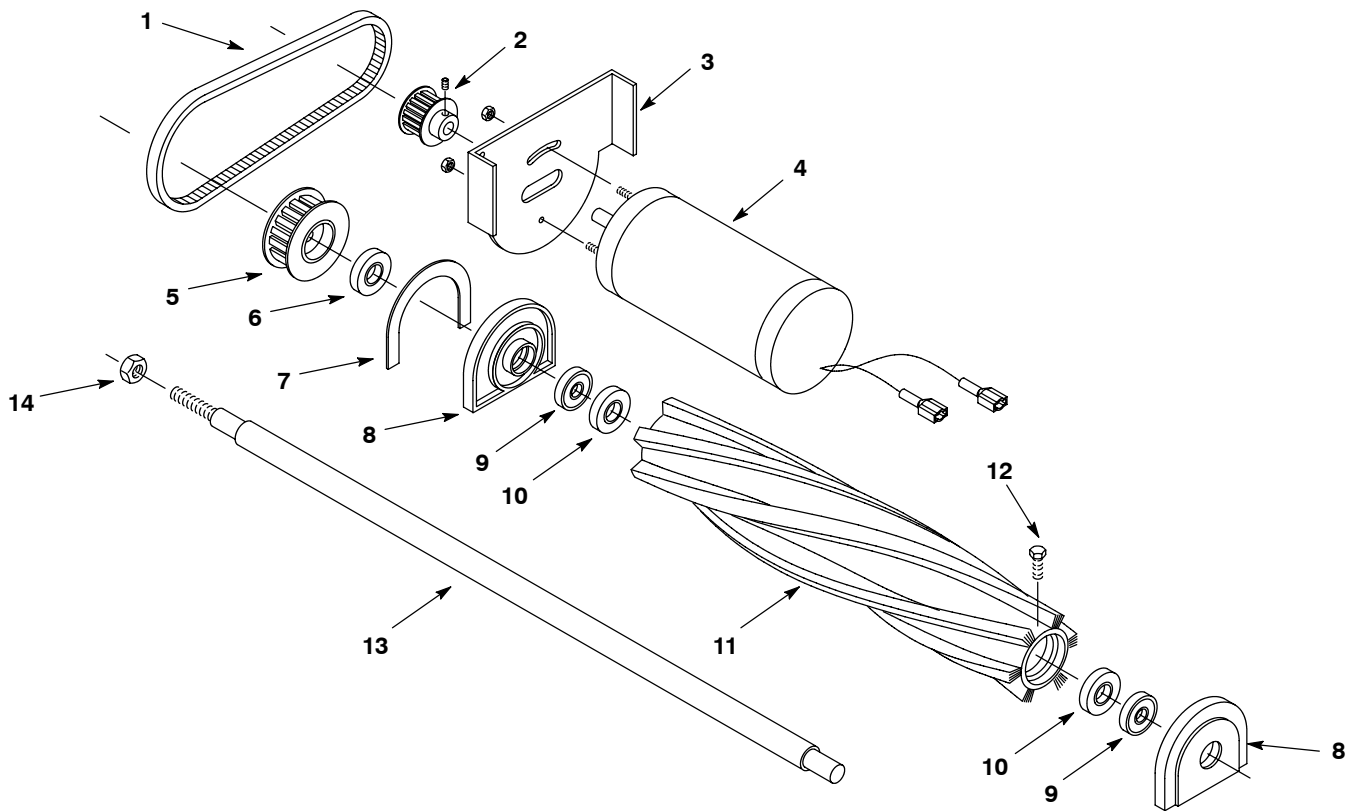
REF	PART #	DESCRIPTION	QTY.
27	100006	GASKET, PLATE (1240 MODEL)	2
	1027687	GASKET, PLATE (1260 MODEL)	2
28	100734.BK	PLATE, BASE (1240 MODEL)	1
	230367.BK	PLATE, BASE (1260 MODEL)	1
29	140890	SCREW, 10-24X1/2	1
30	140887	SCREW, 10-24X3/8	12
31	140233	SCREW, 3/8-16X1-3/4	1
32	140028	WASHER, FLAT 3/8	1
33	120617	DECAL, HEIGHT ADJ.	1
34	606244	HOSE, 1/4"X16" LP	1
35	140325	CLAMP, EAR	1
36	150526	FITTING, BARB 1/4FX1/4H	1
▽	700424	ASSY., SPRAYER MANIFOLD (1240 MODEL)	1
	701171	ASSY., SPRAYER MANIFOLD (1260 MODEL)	1
▲ 37	150616	ADAPTER	1
▲ 38	150422	FITTING, 1/8MX1/8F STRT 45	1
▲▽39	201010	●ASM., SPRAYTIP (1240 MODEL)	4
	201011	●ASM., SPRAYTIP (1260 MODEL)	5
▲40	201012	●TIP, FITTING (201010)	5
	201013	●TIP, FITTING (201011)	5
▲41	201015	●SEAL, SPRAY NOZZLE (201010)	4
	201015	●SEAL, SPRAY NOZZLE (201011)	5
▲ 42	230267	SPRAY BAR (1240 MODEL)	1
	230379	SPRAY BAR (1260 MODEL)	1
▲ 43	150208	PLUG, SOCKET BRASS	3
44	600692	CABLE, STRAIN RELIEF (EMC MODEL)	1
▽	604628	ASM., FILTER, RFI (EMC MODEL)	1
▲ 45	600694	FILTER, RFI (EMC MODEL)	1
▲ 46	600693	CHOKE (EMC MODEL)	2
47	140350	SCREW (EMC MODEL)	1

▽ ASSEMBLY / CONJUNTO

▲ INCLUDED IN ASSEMBLY / INCLUIDO EN EL CONJUNTO

● RECOMMENDED STOCK ITEMS / ARTICULOS RECOMENDADOS PARA MANTENER EN EXISTENCIA

**BRUSH BREAKDOWN**  
**CONJUNTO DE CEPILLO**



REF	PART #	DESCRIPTION	QTY.
1	230507	●BELT, BRUSH DRIVE	1
2	230506	●PULLEY, MOTOR	1
3	230366	BRACKET, MOTOR	1
4	1019015	MOTOR, BRUSH 120V	1
	130472	MOTOR, BRUSH 230V/240V	1
	575729	MOTOR, BRUSH 240V (EMC MODEL)	1
▽	700212	ASSEMBLY, BRUSH (1240 MODEL)	1
	700094	ASSEMBLY, BRUSH (1260 MODEL)	1
▲ 5	230505	PULLEY, BRUSH	1
▲ 6	230363	SPACER	1

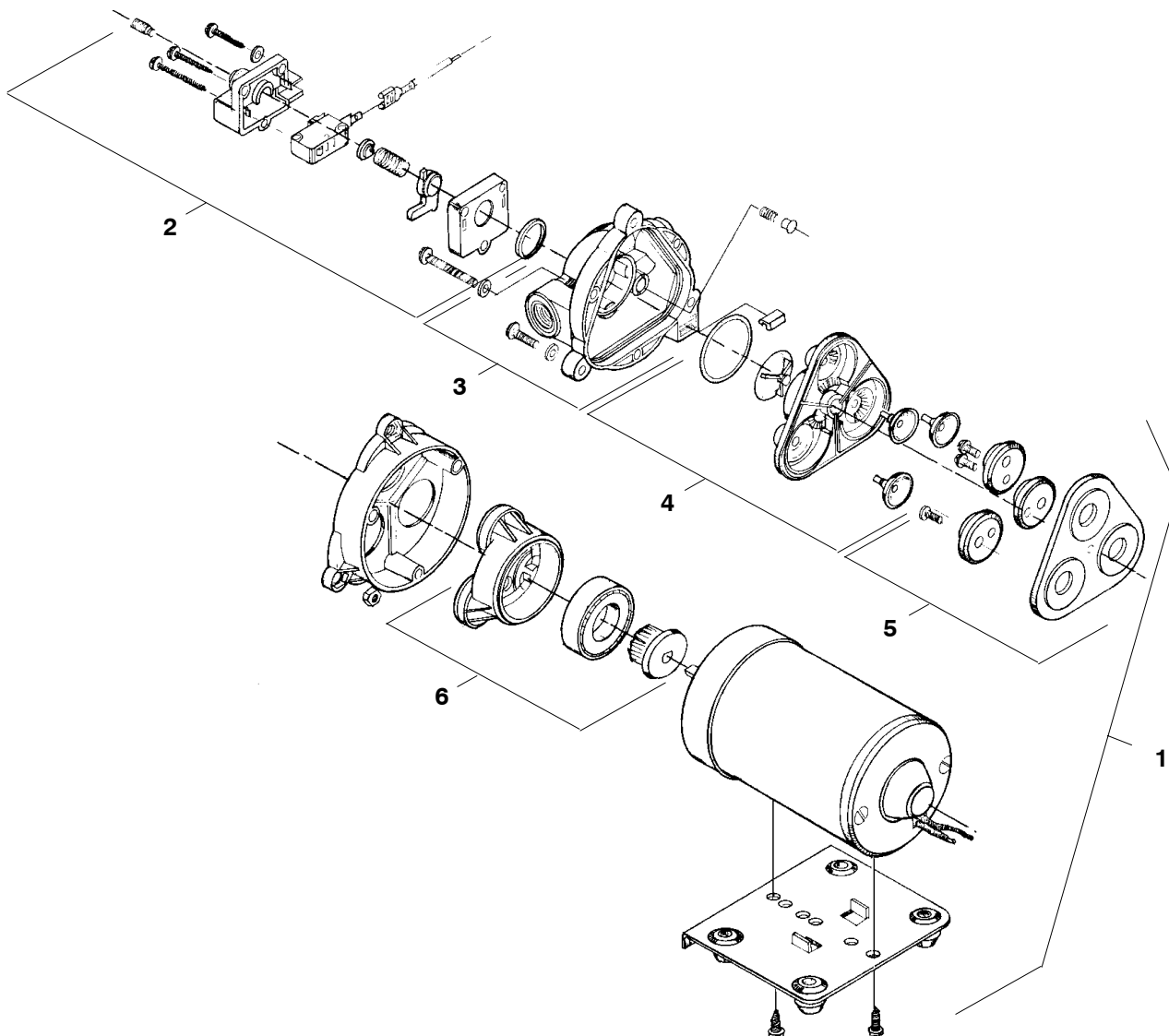
REF	PART #	DESCRIPTION	QTY.
▲ 7	100005	GASKET, BEARING BLOCK	1
▲ 8	230261	●BLOCK, BEARING	2
▲ 9	140125	●BEARING, BRUSH	2
▲ 10	100049	SEAL, BRUSH	2
▲ 11	240004	●BRUSH (1240 MODEL)	1
	240050	●BRUSH (1260 MODEL)	1
▲ 12	140554	SCREW, 1/4-20X3/4	4
▲ 13	230257	SHAFT, BRUSH (1240 MODEL)	1
	230362	SHAFT, BRUSH (1260 MODEL)	1
▲ 14	140548	NUT, 5/16 FINJAM	1

▽ ASSEMBLY / CONJUNTO

▲ INCLUDED IN ASSEMBLY / INCLUIDO EN EL CONJUNTO

● RECOMMENDED STOCK ITEMS / ARTICULOS RECOMENDADOS PARA MANTENER EN EXISTENCIA

**PUMP BREAKDOWN**  
**DESMONTAJE DE LA BOMBA**

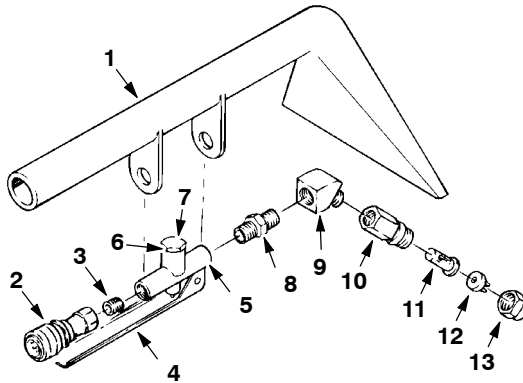


REF	PART #	DESCRIPTION	QTY.
1	180103	●PUMP, SOLUTION 100PSI 120V	1
	180109	●PUMP, SOLUTION 100PSI 230V/240V	1
2	190129	●KIT, PRESSURE SWITCH	1
	190172	●KIT PRESSURE SWITCH (VITON)	1
	190134	●KIT, DIAPHRAGM ONLY	1

REF	PART #	DESCRIPTION	QTY.
3	190128	●KIT, UPPER PUMP HOUSING	1
	190124	●KIT, CHECK VALVE ONLY	1
4	190171	●KIT, VALVE (VITON)	1
5	190131	●KIT, SERVICE	1
6	190130	●KIT, LOWER PUMP HOUSING	1

● RECOMMENDED STOCK ITEMS / ARTICULOS RECOMENDADOS PARA MANTENER EN EXISTENCIA

**127mm (5 in) HAND TOOL GROUP  
ACCESORIO MANUAL**



REF	PART #	DESCRIPTION	QTY.
▽	200505	●ASSEMBLY, HAND TOOL	1
▲ 1	200431.BK	TOOL, HAND	1
▲ 2	150913	●COUPLER, QUICK	1
▲ 3	150606	FITTING, 1/4MX1-3/8 HEXNIP BRS	1
▲ 4	200905	TRIGGER, HAND TOOL	1
▲ 5	210210	●VALVE, FLOW CONTROL	1
▲ 6	190600	PIN & SPRING, VALVE	1

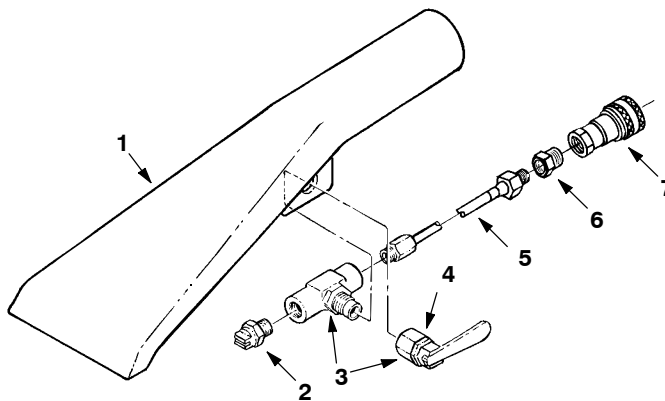
REF	PART #	DESCRIPTION	QTY.
▲ 7	N/A	CAP, VALVE	1
▲ 8	150606	NIPPLE, HEX 1/4	1
▲ 9	150403	ELBOW, ST 1/4 45°	1
▲ 10	200992	BODY, SPRAY 1/4F	1
▲ 11	200996	●SCREEN, SPRAY NOZZLE	1
▲ 12	200965	●TIP, SPRAY #8002	1
▲ 13	200994	●CAP, SPRAY BODY	1

▽ ASSEMBLY / CONJUNTO

▲ INCLUDED IN ASSEMBLY / INCLUIDO EN EL CONJUNTO

● RECOMMENDED STOCK ITEMS / ARTICULOS RECOMENDADOS PARA MANTENER EN EXISTENCIA

**CREVICE TOOL GROUP  
ACCESORIO PARA HENDIDURAS**



REF	PART #	DESCRIPTION	QTY.
▽	200517	●ASSEMBLY, CREVICE TOOL	1
▲ 1	200436.BK	TOOL, CREVICE	1
▲ 2	200975	●NOZZLE	1
▲ 3	210014	●VALVE, TOGGLE	1

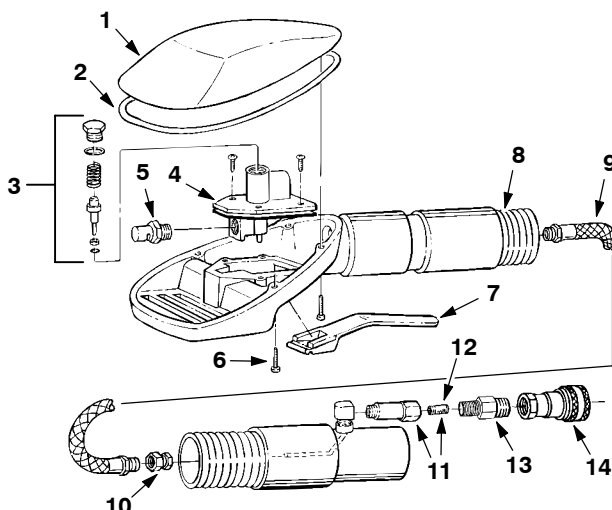
REF	PART #	DESCRIPTION	QTY.
▲ 4	210020	CAP, VALVE POSITIONER	1
▲ 5	160106	HOSE, ASM.	1
▲ 6	150100	FITTING, 1/4MX1/8F	1
▲ 7	150913	●COUPLER	1

▽ ASSEMBLY / CONJUNTO

▲ INCLUDED IN ASSEMBLY / INCLUIDO EN EL CONJUNTO

● RECOMMENDED STOCK ITEMS / ARTICULOS RECOMENDADOS PARA MANTENER EN EXISTENCIA

## UPHOLSTERY TOOL GROUP ACCESORIO PARA TAPICERÍA



REF	PART #	DESCRIPTION	QTY.
▽	200540	●ASSEMBLY, UPHOLSTERY TOOL	1
▲ 1	200845	COVER	1
▲ 2	200843	GASKET	1
▲ 3	190631	●KIT, VALVE ASM.	1
▲ 4	210226	●VALVE, LP	1
▲ 5	200991	●NOZZLE	1

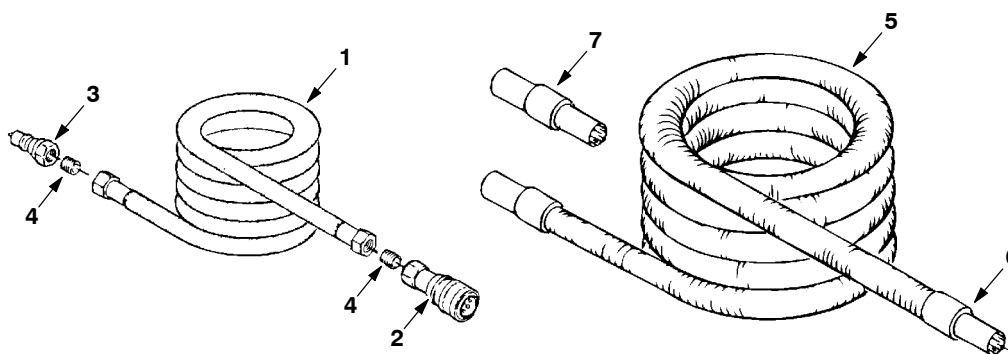
REF	PART #	DESCRIPTION	QTY.
▲ 6	200838	SCREW	4
▲ 7	200840	TRIGGER	1
▲ 8	200844	●HOSE, VACUUM	1
▲ 9	200837	●HOSE, SOLUTION	1
▲ 10	200848	FITTING	1
▲ 11	200842	FILTER	1
▲ 12	200841	SCREEN, FILTER	1
▲ 13	150606	FITTING, 1/4MX1/4M	1
▲ 14	150913	●COUPLER	1

▽ ASSEMBLY / CONJUNTO

▲ INCLUDED IN ASSEMBLY / INCLUIDO EN EL CONJUNTO

● RECOMMENDED STOCK ITEMS / ARTICULOS RECOMENDADOS PARA MANTENER EN EXISTENCIA

## SOLUTION AND VACUUM HOSES MANGUERAS DE DISOLUCIÓN Y ASPIRACIÓN



REF	PART #	DESCRIPTION	QTY.
▽ 1	160185	●HOSE, SOLUTION 15'	1
▲ 2	150913	●COUPLER, QUICK	1
▲ 3	150933	●PLUG, QUICK COUPLER	1
▲ 4	150615	FITTING, BRS, STR, PM04	2

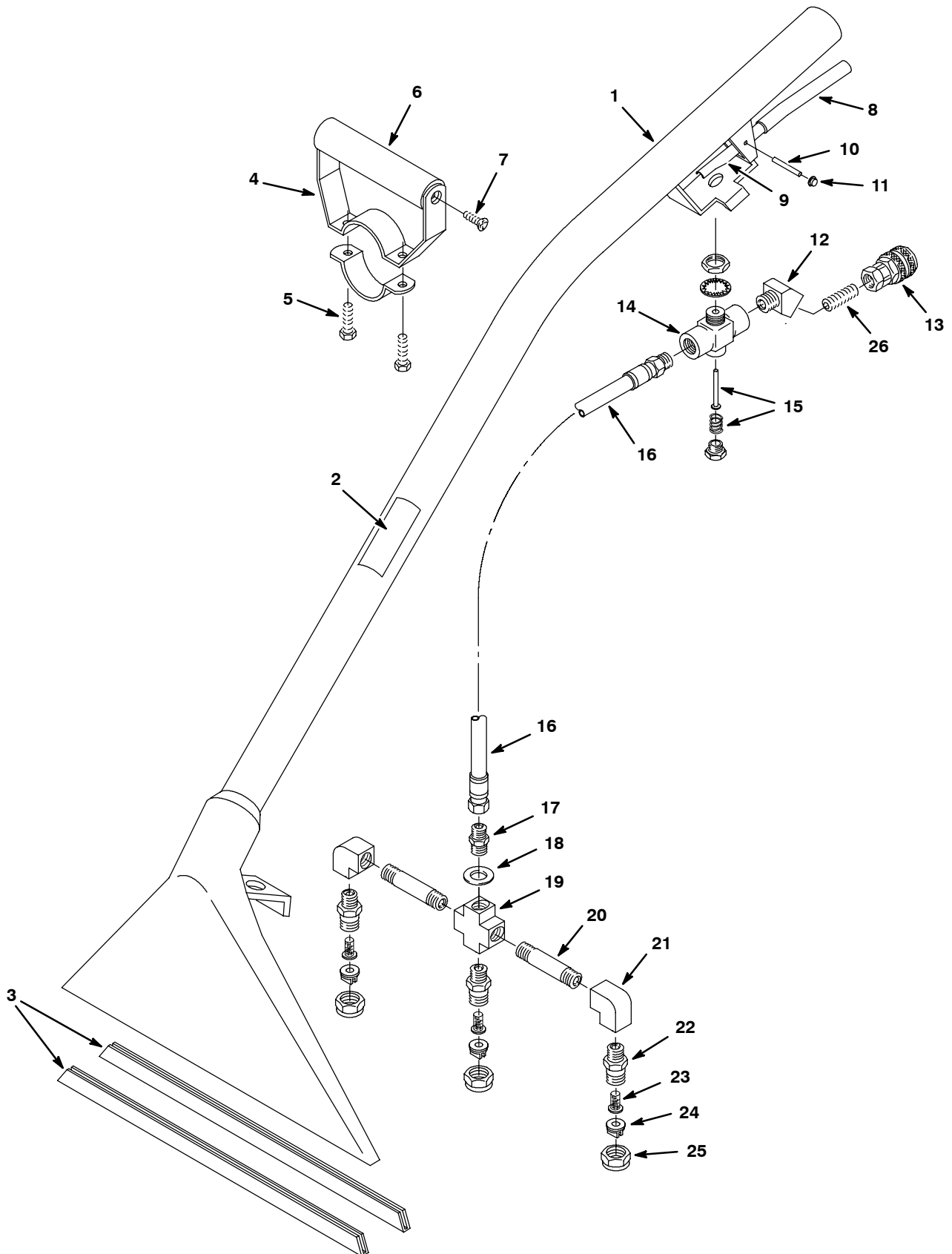
REF	PART #	DESCRIPTION	QTY.
▽ 5	160400	●HOSE, VACUUM 15'	1
▲ 6	160430	●CUFF, HOSE 1-1/2"	2
▲ 7	160451	CONNECTOR, VAC HOSE	1

▽ ASSEMBLY / CONJUNTO

▲ INCLUDED IN ASSEMBLY / INCLUIDO EN EL CONJUNTO

● RECOMMENDED STOCK ITEMS / ARTICULOS RECOMENDADOS PARA MANTENER EN EXISTENCIA

330mm (13 in) LOW PRESSURE WAND GROUP  
ACCESORIO PARA EL SUELO





**330mm (13 in) LOW PRESSURE WAND GROUP  
ACCESORIO PARA EL SUELO**

REF	PART #	DESCRIPTION	QTY.
▽	600048	●ASM., WAND LOW PRESSURE	1
▲ 1	200403.BK	TOOL, FLOOR BLACK	1
▲ 2	120846	DECAL, LOW PRESSURE TOOL	1
▲ 3	200939	●SHOE, 330MM (13 IN) FLR TOOL	2
▲▽ 4	200927AM	GRIP, HAND ADJ. COMPLETE	1
▲ 5	140259	SCREW, 1/4-20X5/8	2
▲ 6	200912	GRIP, HANDLE FOAM	1
▲ 7	140834	SCREW, 1/4-20X5/8	2
▲ 8	200809	SLEEVE, HANDLE	1
▲ 9	200902	HANDLE, VALVE	1
▲ 10	140605	PIN, HANDLE	1
▲ 11	140520	NUT, 1/4 PUSH BLK	2
▲ 12	150403	FITTING, 1/4MX1/4F 45 STR	1
▲ 13	150913	●FITTING, 1/4F QD CPLR SER 60	1

REF	PART #	DESCRIPTION	QTY.
▲▽ 14	210150	●VALVE, FLOW CONTROL	1
▲ 15	190603	●KIT, VALVE PIN AND SPRING	1
▲ 16	160170	ASM, HOSE LOW PRESSURE	1
▲ 17	150606	FITTING, 1/4MX1-3/8HEXNIP	1
▲ 18	140058	WASHER, .543X.875X.062 WAND	1
▲▽	700062	ASM., SPRAYBAR WO/TIPS	1
▲ 19	150700	CROSS, 1/4 FPT	1
▲ 20	150600	FITTING, 1/4MX2" NIPPLE	2
▲ 21	150401	FITTING, 1/4FX1/4F ELBOW 90	2
▲ 22	200993	SPRAY BODY, 1/4" MALE	3
▲ 23	200996	●FILTER, SCREEN 100 MESH	3
▲ 24	200964	●FITTING, TIP 11003 T-JET	3
▲ 25	200994	●CAP, SPRAY BODY	3
▲ 26	150615	FITTING, BRS, STR, PM04	1

▽ ASSEMBLY / CONJUNTO

▲ INCLUDED IN ASSEMBLY / INCLUIDO EN EL CONJUNTO

● RECOMMENDED STOCK ITEMS / ARTICULOS RECOMENDADOS PARA  
MANTENER EN EXISTENCIA