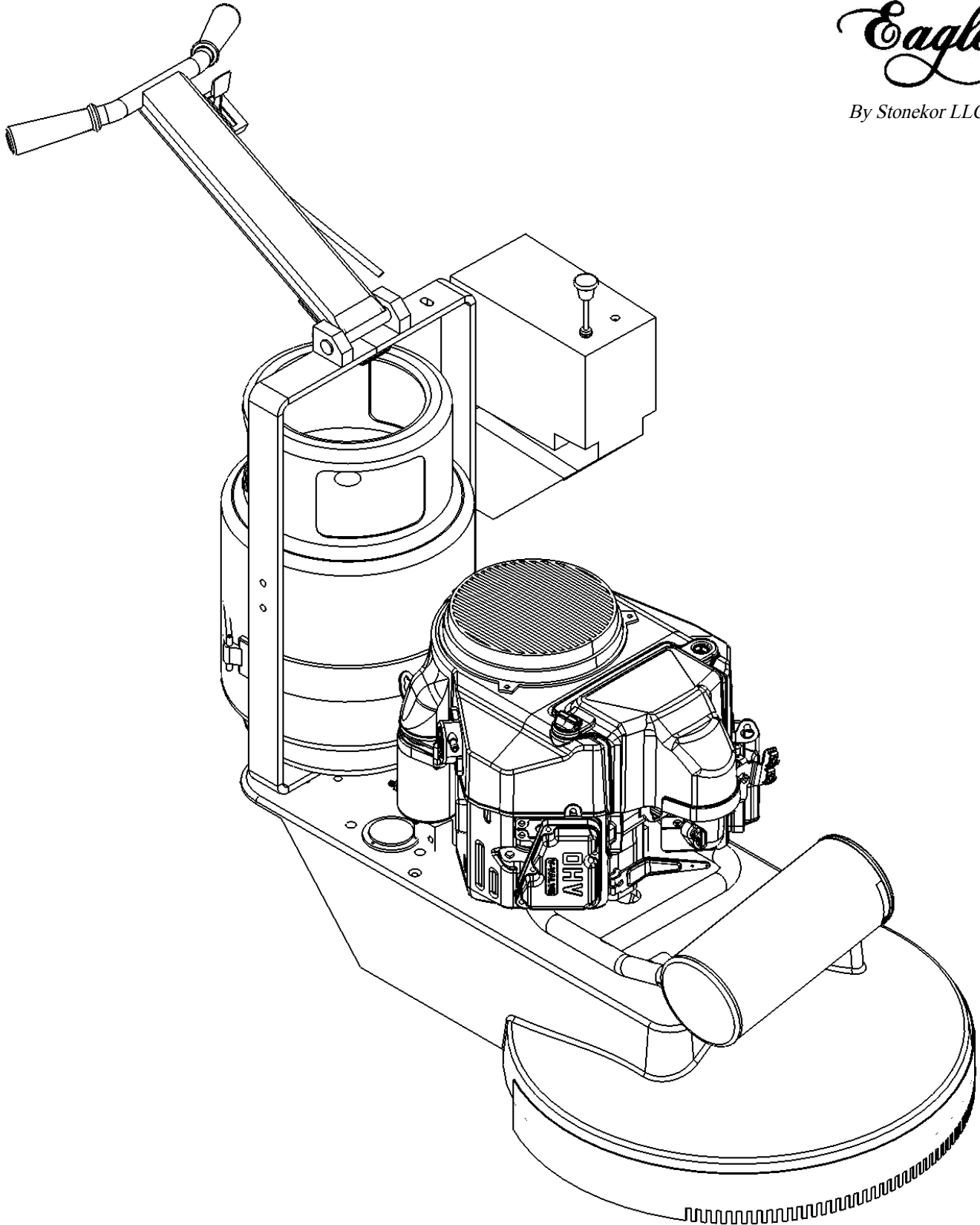


PRIDE STRIP BUFFER

Eagle

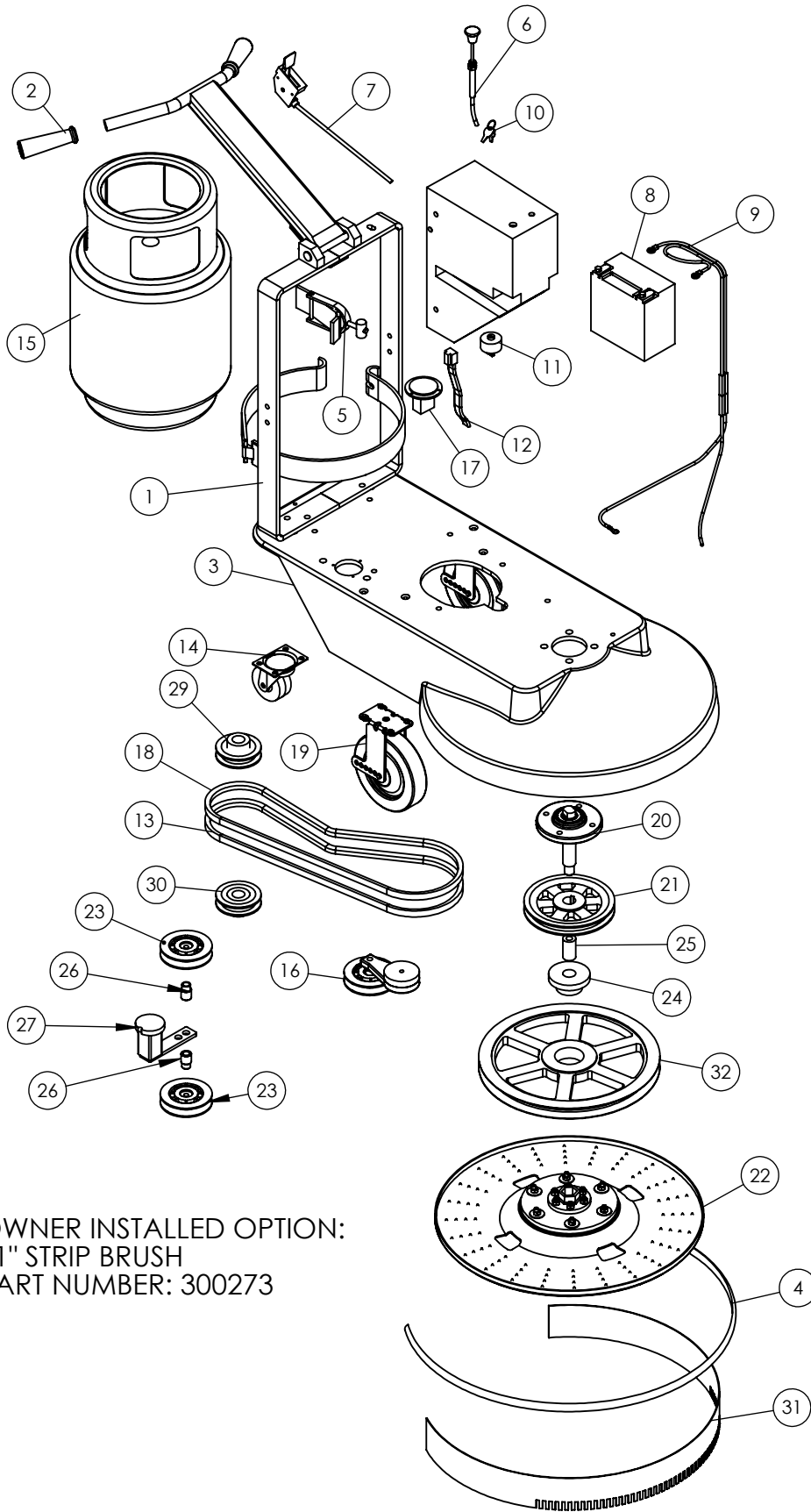
By Stonekor LLC



PRIDE STRIP BUFFER DECK SUB ASSEMBLY



By Stonekor LLC



OWNER INSTALLED OPTION:
 21" STRIP BRUSH
 PART NUMBER: 300273

PRIDE STRIP BUFFER DECK SUB ASSEMBLY

ITEM NO.	PART NUMBER	DESCRIPTION	QTY.
1	300174	HANDLE	1
2	1010	HANDLE GRIP	2
3	1001	DECK 21" ALUM	1
4	1600	BUMPER MOULDING BUFFERS 6 FT	1
5	1003	TOGGLE	1
6	680255	CHOKE CABLE PUSH / PULL (KAWASAKI / ROBIN)	1
7	680599	THROTTLE CABLE WITHOUT CHOKE	1
8	4002	BATTERY SM 12V	1
9	680296	BATTERY CONNECTOR COMPLETE - KAWASAKI	1
10	680082	REPLACEMENT KEY	1
11	300171	KEY SWITCH	1
12	680223	WIRE HARNESS KAWASAKI	1
13	200340	BELT BX-40	1
14	1210	CASTER 3 X 1.5	1
15	680053	LP TANK (ALUM)	1
16	300158	TENSIONER 21" BUFFER	1
17	1240	HOUR METER	1
18	200352	BELT BX-52	1
19	300208	BUFFER WHEEL ASSEMBLY	2
20	300172	FRONT BEARING ASSY.COMPOSITE DC -NEW STYLE	1
21	009315	PULLEY, 7.0	1
22	300143	21" PAD DRIVER COMPLETE	1

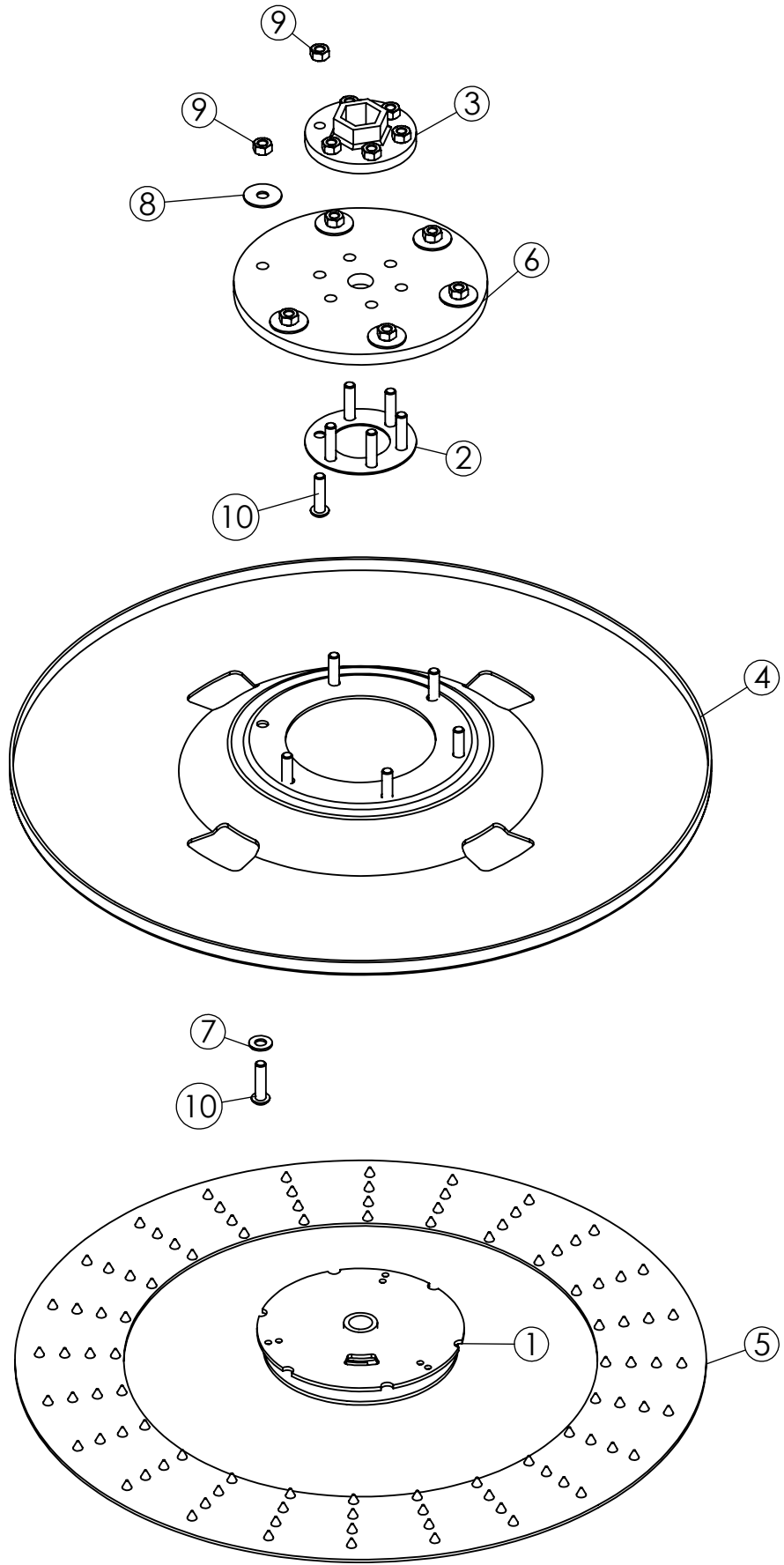

 By Stonekor LLC

PRIDE STRIP BUFFER DECK SUB ASSEMBLY

ITEM NO.	PART NUMBER	DESCRIPTION	QTY.
23	1235	PULLEY, IDLER	2
24	300283	SDS1	1
25	2355	SHAFT DRIVE SB EXTENSION	1
26	1237	SHOULDER BUSHING 3/4" (1/2" BORE)	2
27	300281	LOVEJOY TENSIONER ARM	1
28	300137	POLY BATTERY BOX	1
29	001300	PULLEY, 3.5 X 1	1
30	300285	PULLEY, 3.0 X 1	1
31	300284	SPLASH GUARD 21" (54" LONG)	1
32	300282	PULLEY 13.6	1


 By Stonekor LLC

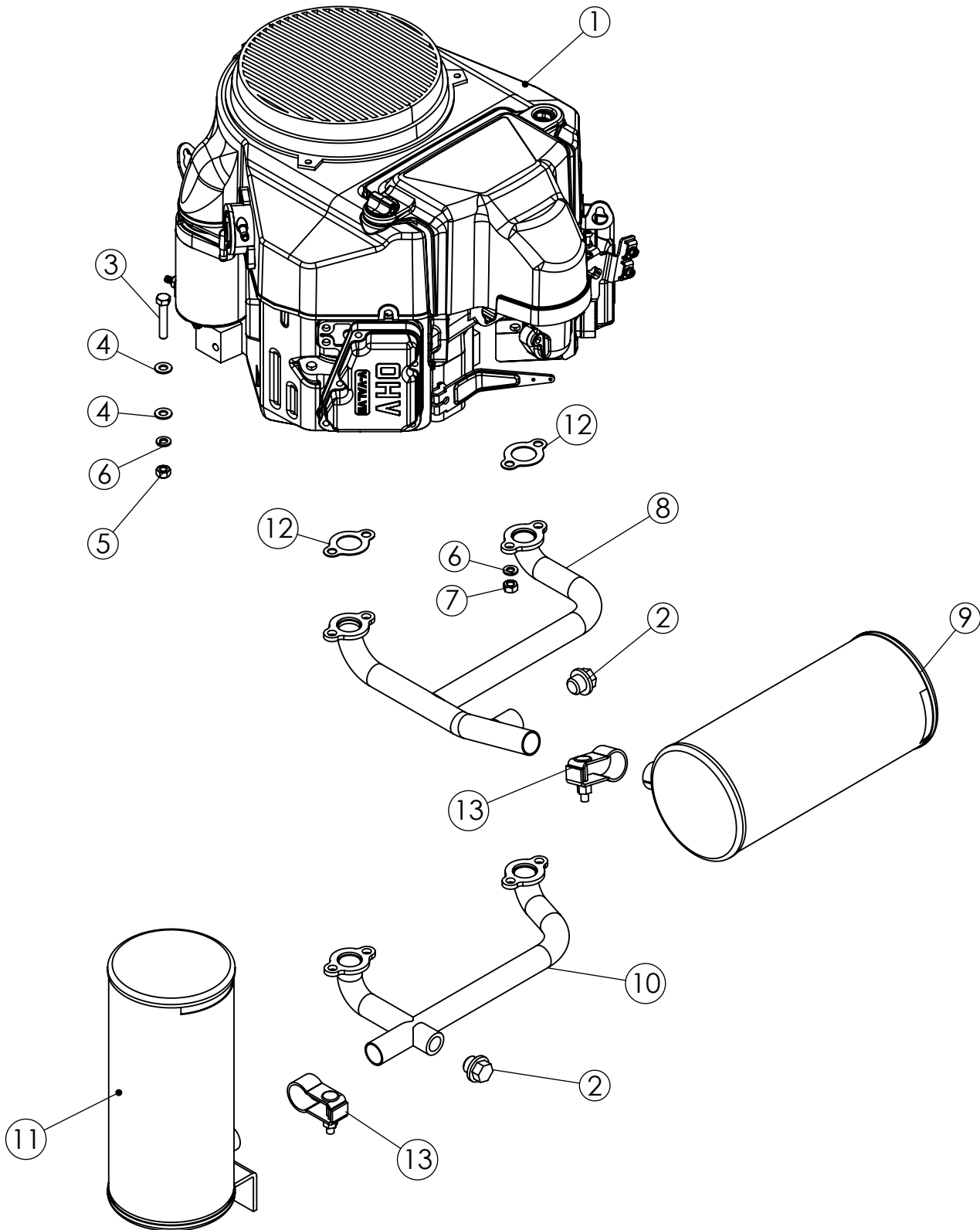
21 INCH PAD DRIVER



21 INCH PAD DRIVER

ITEM NO.	PART NUMBER	DESCRIPTION	QTY.
1	1410	CENTERLOCK	1
2	680581	FLANGE BACKING RING	1
3	680642	FLANGE 3-5/16	1
4	680675	PAD DRIVER 20.75	1
5	680683-21	PAD FACING 20 7/16" MIGHTY LOK II FACE WITH ADHESIVE	1
6	680679	RUBBER BISCUIT 2004 STYLE	1
7	200832	5/16 SAE Flat Washer	6
8	200829	5/16 x 1-1/2 Fender Washer	6
9	200822	5/16-18 Nylon Insert L/N	12
10	200842	5/16-18 x 1-1/4 Button Soc Cap Screw	12
.	300143	21" PAD DRIVER COMPLETE	

KAWASAKI FS-481-603 CC EXHAUST SYSTEM

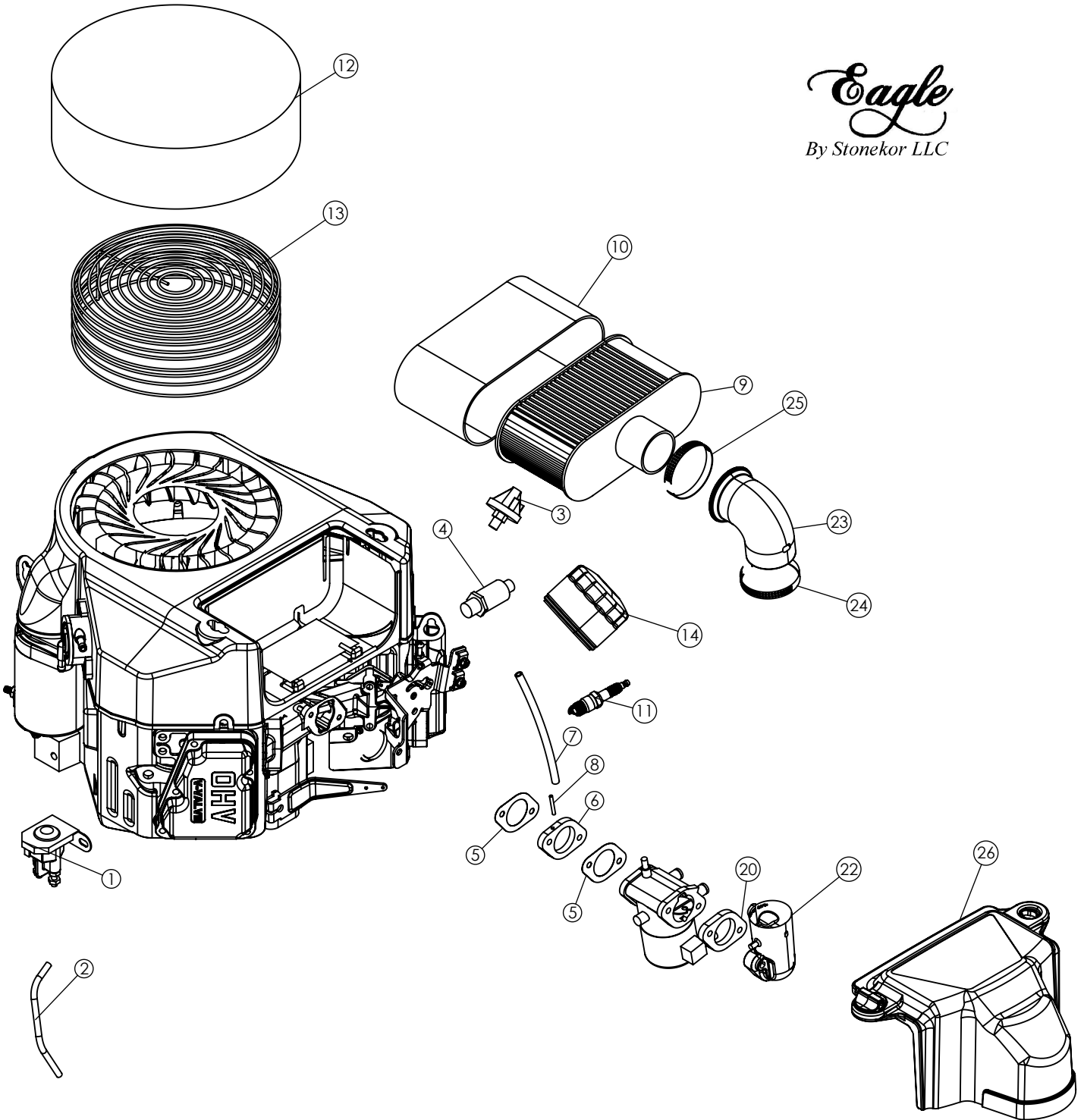


KAWASAKI FS-481-603 CC EXHAUST SYSTEM

ITEM NO.	PART NUMBER	DESCRIPTION	QTY.
1	300275	KAWASAKI ENGINE FS 481V W/O MUFFLER	1
2	680680	MANIFOLD BOLT PLUG	2
3	200858	5/16-18 x 1-3/4 Hex Cap Screw	4
4	200832	5/16 SAE Flat Washer	7
5	200822	5/16-18 Nylon Insert L/N	4
6	200885	5/16 Split Lock Washer	6
7	200905	8MM x 1.25 Hex Nut	4
8	300229	MANIFOLD HORIZONTAL FS 481 KAWASAKI NEW	1
9	300228	MUFFLER HORIZONTAL FS-481 KAWASAKI NEW	1
10	300233	MANIFOLD VERTICAL FS-481 KAWASAKI NEW	1
11	300232	MUFFLER VERTICAL FS-481 KAWASAKI NEW	1
12	W110607016	GASKET, MANIFOLD	2
13	300187	CLAMP MUFFLER ROBIN	2

KAWASAKI FS-481 603 CC ENGINE AND CARBURETOR

Eagle
By Stonekor LLC

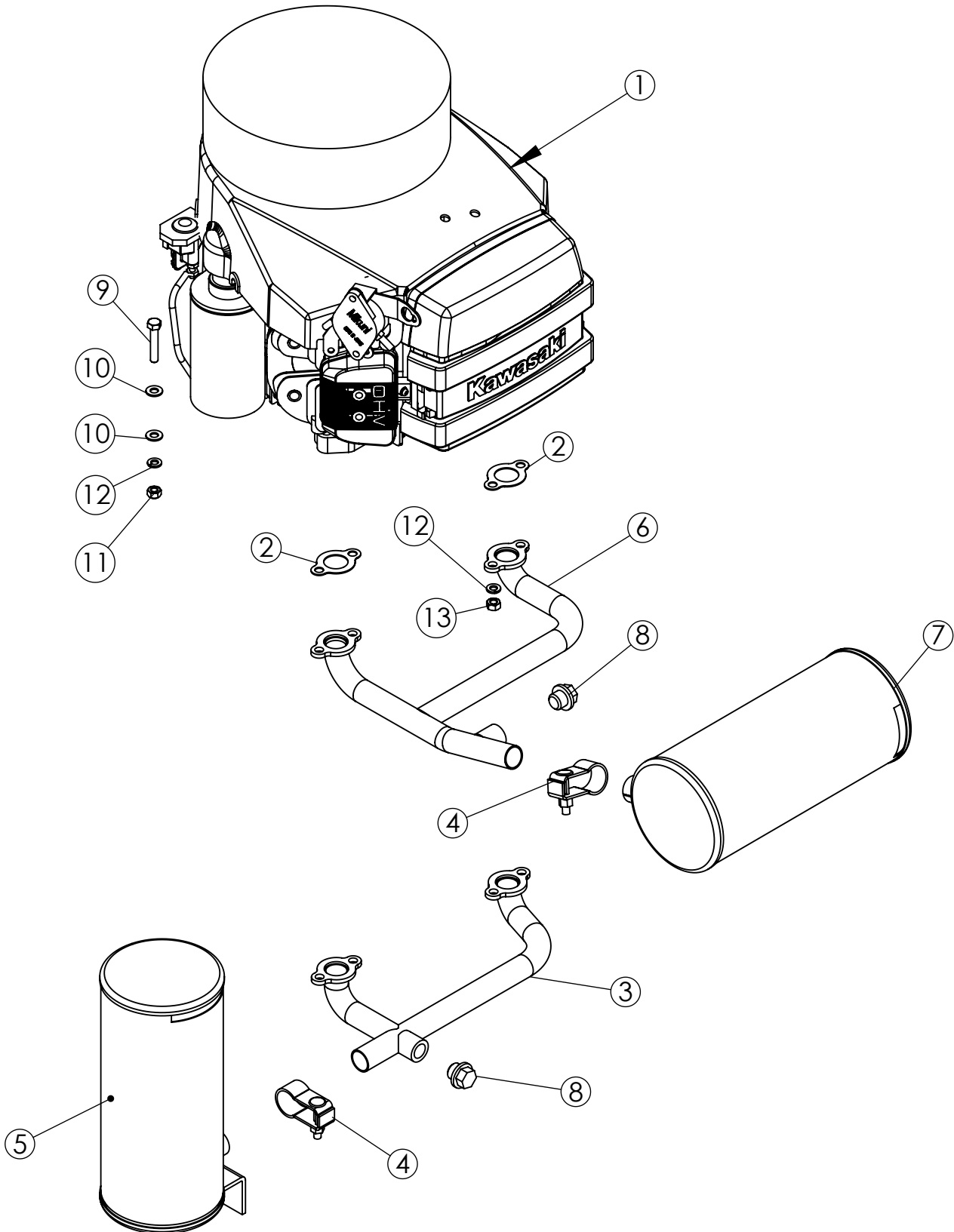


KAWASAKI FS-481 603 CC ENGINE AND CARBURETOR

ITEM NO.	PART NUMBER	DESCRIPTION	QTY.
1	680226	STARTER SOLENOID KAWASAKI	1
2	680298	STARTER TO SOLENOID WIRE	1
3	680222	OIL SWITCH	1
4	300202	VALVE OIL DRAIN	1
5	W110617004	GASKET AIR FILTER	2
6	W160737007	INSULATOR	1
7	1117	HOSE 3' VAC	1
8	1126	VENT TUBE	1
9	W999990384	ELEMENT AIR FILTER	1
10	W11013-7046	PRE CLEANER (KAWASAKI FS 481 V)	1
11	WBPR4ES	SPARK PLUG BPR4ES	1
12	680224	RECOIL FILTER- KAWASAKI	1
13	680225	RECOIL FILTER SUPPORT	1
14	W49065-7007	FILTER-OIL (KAWASAKI FS 481 V)	1
18	W999966051	CARBURETOR ASSEMBLY KAWASAKI 17 HP	1
19	1143	BRASS ELBOW 3/8 X 3/8 NPT	1
20	R26338001A3	SPACER	1
21	300297	CARB COMPLETE JD FS 481	1
22	W160607042	PIPE-INTAKE	1
23	W92192-7146	TUBE A/C	1
24	W92171-7010	CLAMP	1
25	W92173-7007	CLAMP	1
26	W110117064	CASE-AIR FILTER	1


 By Stonekor LLC

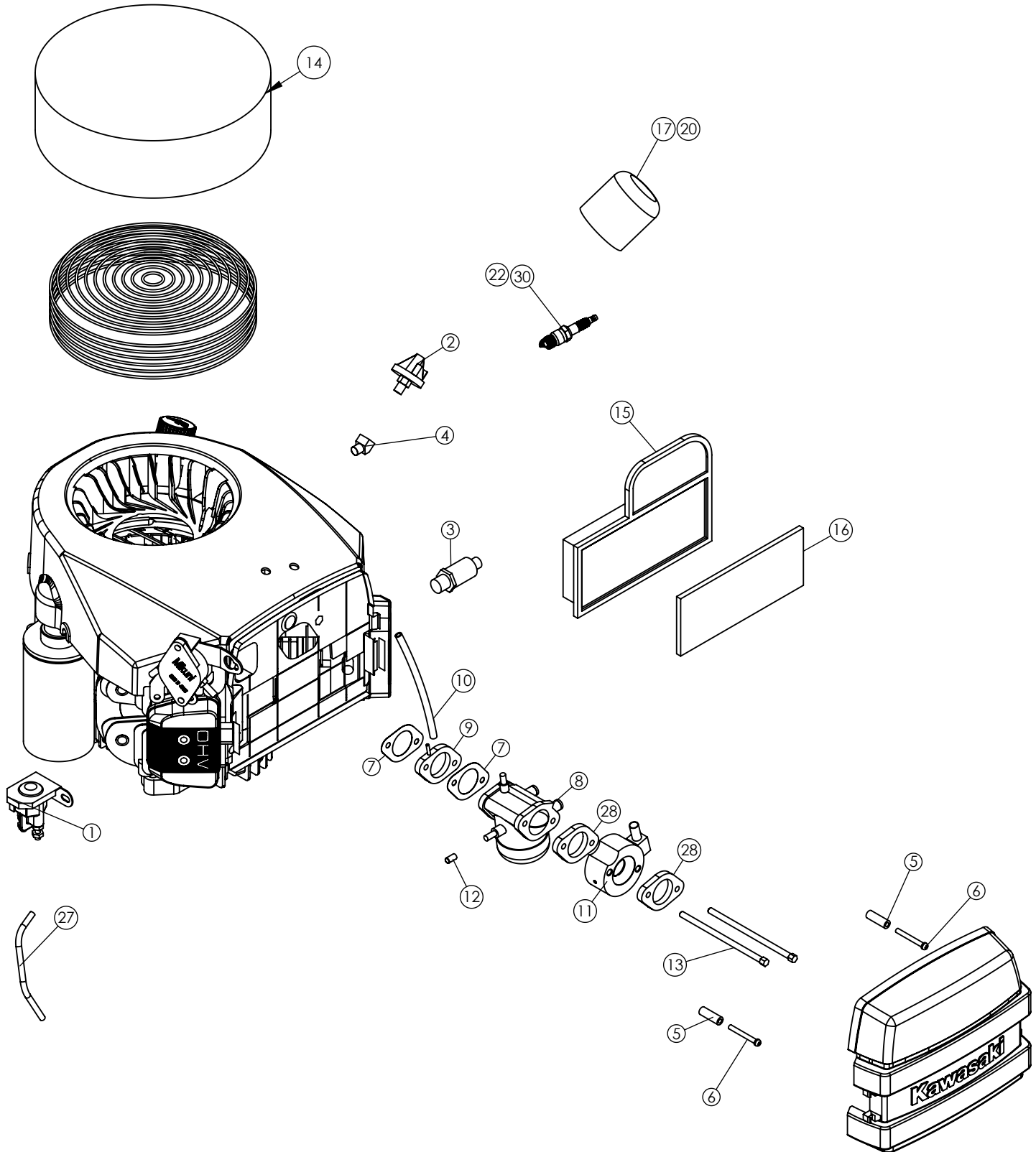
KAWASAKI FH-541-585 CC EXHAUST SYSTEM



KAWASAKI FH-541-585 CC EXHAUST SYSTEM

ITEM NO.	PART NUMBER	DESCRIPTION	QTY.
1	300149	KAWASAKI 17 HP COMPLETE W/O MUFFLER & MANIFOLD	1
2	W110607021	GASKET, MANIFOLD	2
3	300153	MANIFOLD KAWASAKI VERTICAL (680656)	1
4	300186	MUFFLER CLAMP KAWASAKI (680269)	2
5	300152	MUFFLER KAWASAKI VERTICAL (680268)	1
6	300151	MANIFOLD KAWASAKI HORIZONTAL	1
7	300150	MUFFLER KAWASAKI HORIZONTAL	1
8	680680	MANIFOLD BOLT PLUG	2
9	200858	5/16-18 x 1-3/4 Hex Cap Screw	4
10	200832	5/16 SAE Flat Washer	7
11	200822	5/16-18 Nylon Insert L/N	4
12	200885	5/16 Split Lock Washer	6
13	200905	8MM x 1.25 Hex Nut	4

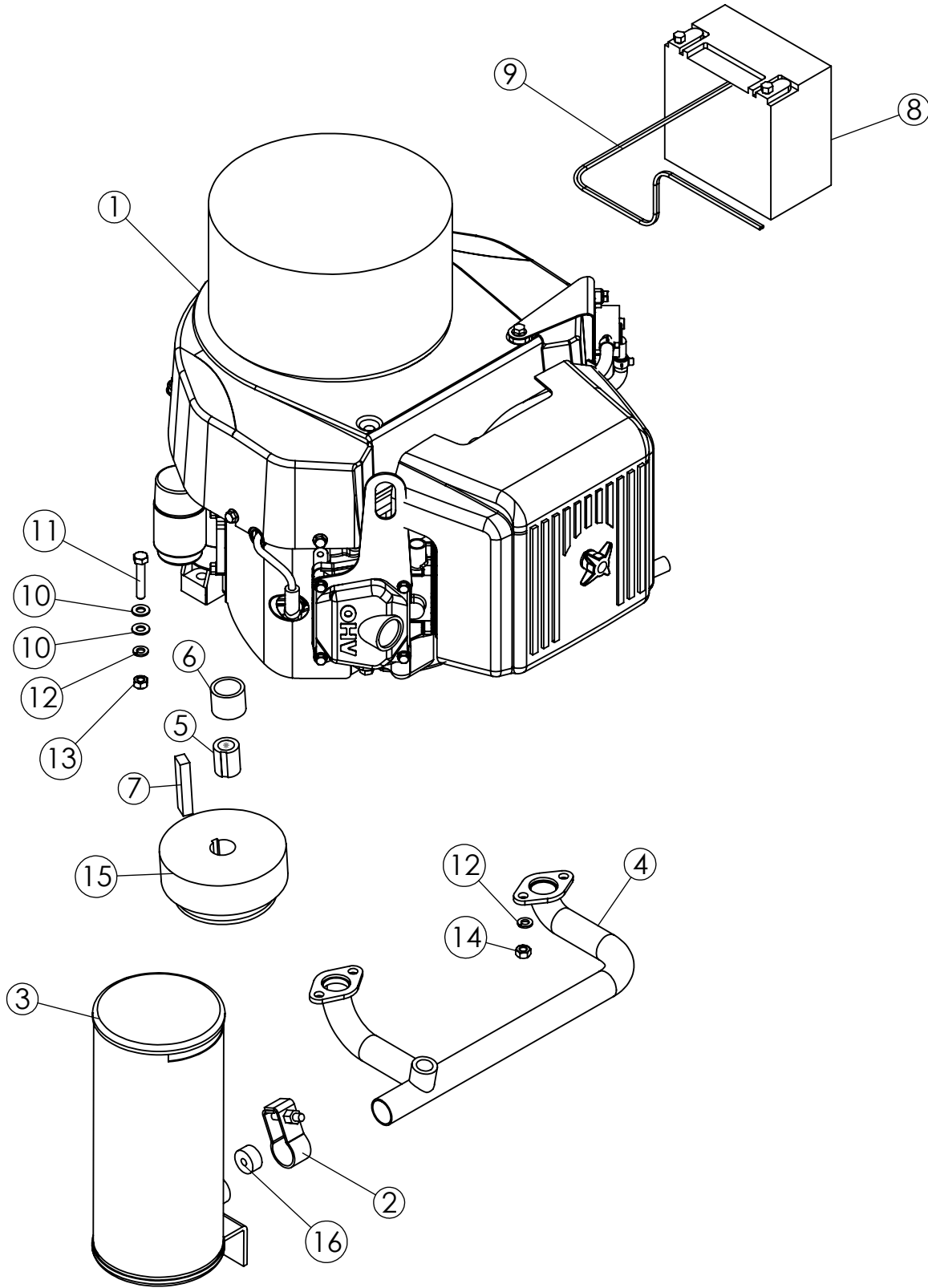
KAWASAKI FH-541-585 CC ENGINE AND CARBURETOR



KAWASAKI FH-541-585 CC ENGINE AND CARBURETOR

ITEM NO.	PART NUMBER	DESCRIPTION	QTY
1	680226	STARTER SOLENOID KAWASAKI	1
2	680222	OIL SWITCH	1
3	300202	VALVE OIL DRAIN	1
4	680088	SENDING UNIT ELBOW	1
5	680227	SPACER 1 1/8 KAWASAKI	2
6	680230	SCREW 10-32 X 1 3/4	2
7	W110617004	GASKET AIR FILTER	2
8		CARBURETOR ASSEMBLY ROBIN 22 HP	1
9	W160737007	INSULATOR	1
10	1117	HOSE 3' VAC	1
11	680236	FUEL LOAD BLOCK KAWASAKI	1
12	680235	RUBBER CAP 1/4-KAWASAKI	1
13	680229	STUD M6 X 130 KAWASAKI	2
14	680224	RECOIL FILTER- KAWASAKI	1
15	W11013-7001	AIR FILTER (KAWASAKI FH541 V)	1
16	W11013-7006	PRE CLEANER (KAWASAKI FH541 V)	1
17	W49065-7010	FILTER-OIL (KAWASAKI FH541 V)	1
18	W49065-7007	FILTER-OIL (KAWASAKI FS 481 V)	1
19	W92070-7004	PLUG, SPARK BPR4ES (NGK), SOLID (KAWASAKI FS 481 V)	2
27	680298	STARTER TO SOLENOID WIRE	1
28	R26338001A3	SPACER	2
29			1
30	WBPR4ES	SPARK PLUG BPR4ES	1

ROBIN 22 HP EXHAUST SYSTEM LX-30



Eagle
By Stonekor LLC

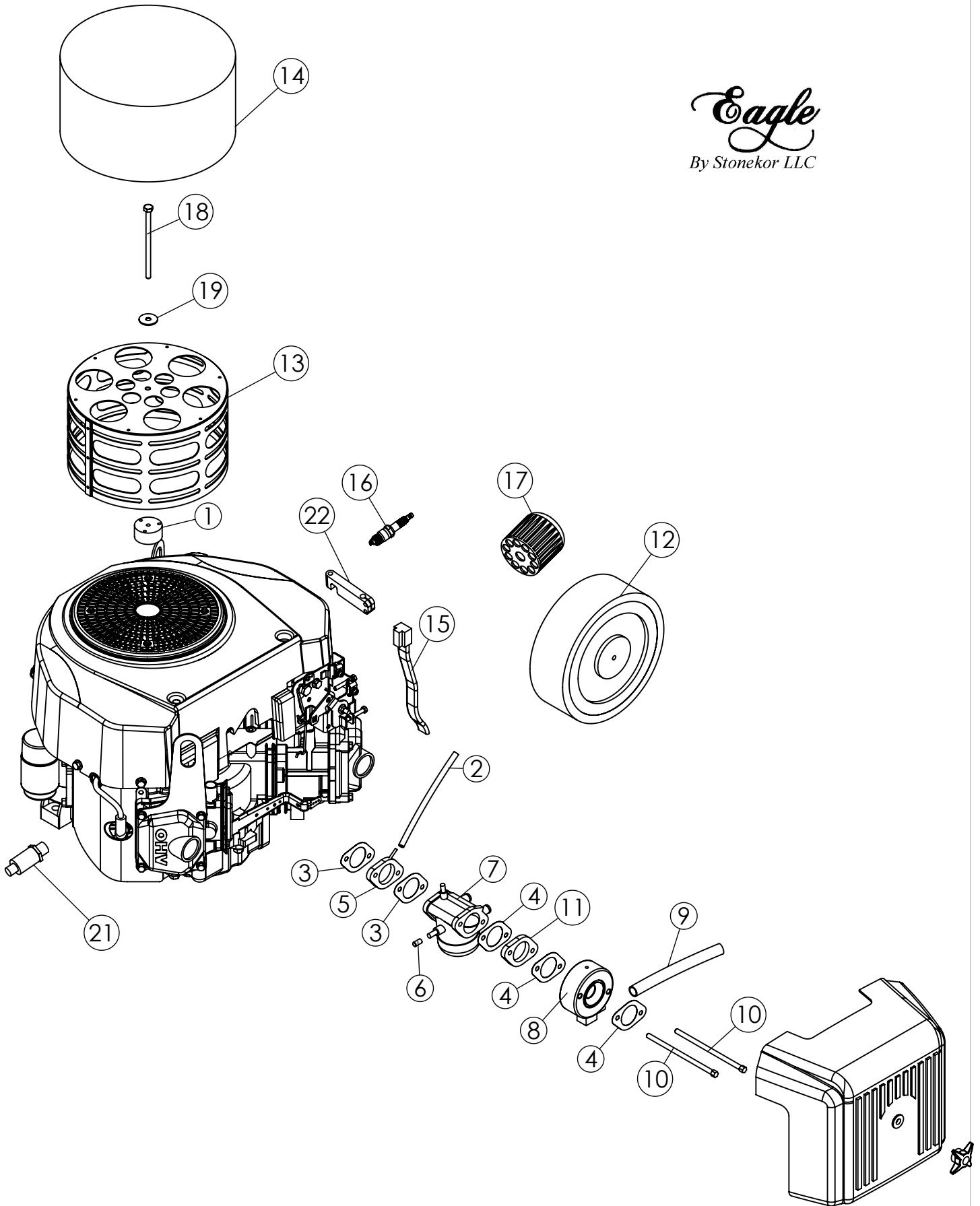
ROBIN 22 HP EXHAUST SYSTEM LX-30

ITEM NO.	PART NUMBER	DESCRIPTION	QTY.
1	300146	ROBIN 22 HP COMPLETE WITHOUT MUFFLER	1
2	300187	CLAMP MUFFLER ROBIN	1
3	300147	VERTICAL MUFFLER	1
4	300148	MANIFOLD ROBIN VERTICAL	1
5	200154	SHAFT EXTENSION ROBIN	1
6	200146	SPACER, CLUTCH	1
7	200155	KEY STOCK	1
8	4002	BATTERY SM 12V	1
9	200124	BATTERY CABLE ASSY	1
10	200832	5/16 SAE Flat Washer	7
11	200858	5/16-18 x 1-3/4 Hex Cap Screw	4
12	200885	5/16 Split Lock Washer	6
13	200822	5/16-18 Nylon Insert L/N	4
14	200905	8MM x 1.25 Hex Nut	4
15	680956	CENTRIFUGAL CLUTCH	1
16	680266	ALUM MUFFLER SPACER 1/2 X 1 X 5/16 HOLE	1


 By Stonekor LLC

ROBIN 22 HP ENGINE AND CARBURETOR

Eagle
By Stonekor LLC

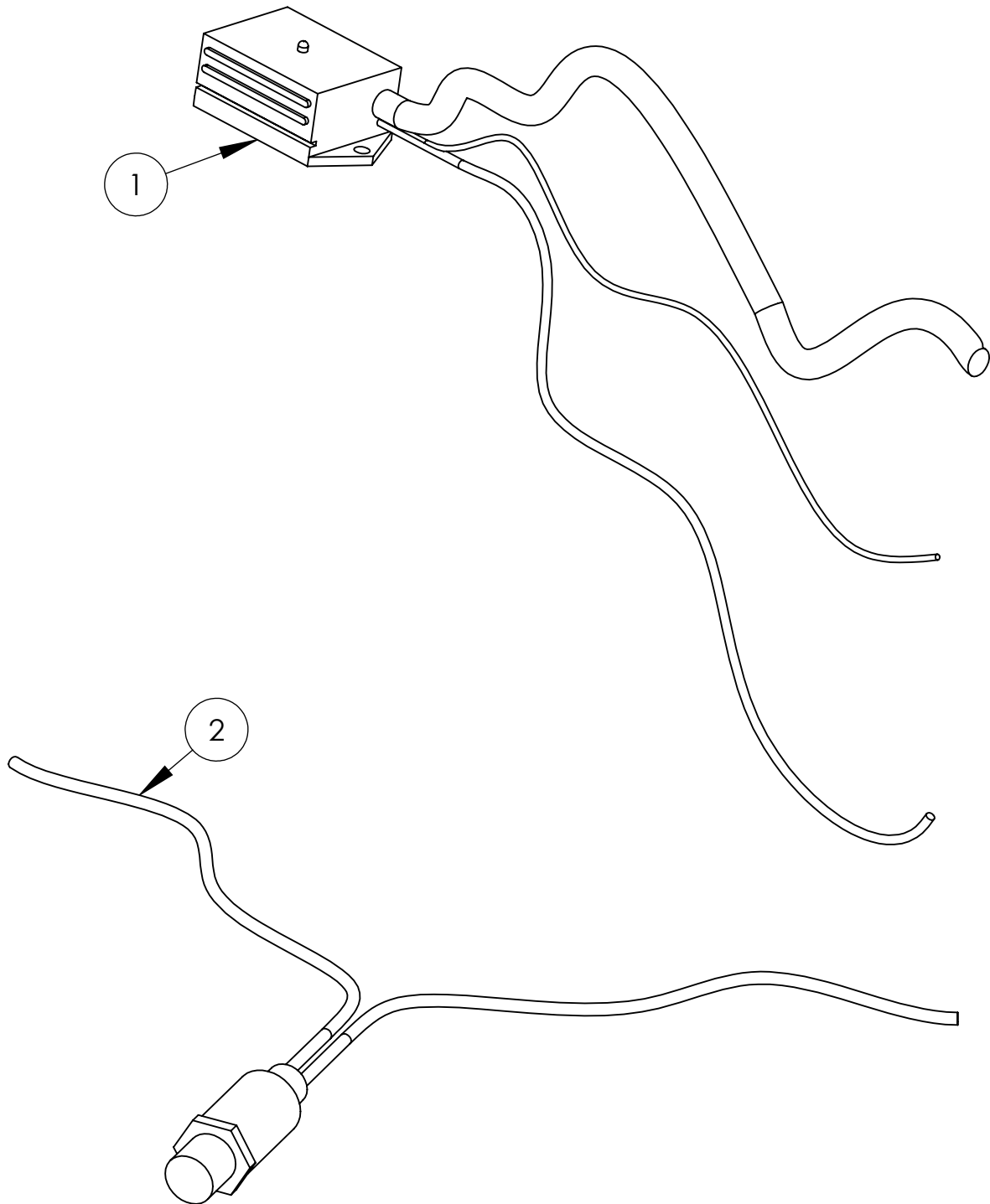


ROBIN 22 HP ENGINE AND CARBURETOR

ITEM NO.	PART NUMBER	DESCRIPTION	QTY.
1	200128	RECOIL SUPPORT FOR STUD	1
2	1117	HOSE 3' VAC	1
3	R26335501A3	INSULATOR GASKET	2
4	R26335502A3	AIR CLEANER GASKET	3
5	R26335401A3	INSULATOR WITH VACUUM TUBE	1
6	680235	RUBBER CAP 1/4-KAWASAKI	1
7		CARBURETOR ASSEMBLY ROBIN 22 HP	1
8	680553	ROBIN 22 HP FUEL LOAD BLOCK	1
9	1118	HOSE 3' FUEL	1
10	680229	STUD M6 X 130 KAWASAKI	2
11	R26338001A3	SPACER	1
12	R26332610A1	AIR CLEANER WITH FOAM PRE FILTER	1
13	300203	FILTER SUPPORT SCREEN ROBIN	1
14	680509	RECOIL FILTER ROBIN	1
15	R263-73123-A1	WIRE HARNESS SK SERIES GRINDERS ONLY	1
16	RX650140730	BPR4EY SPARK PLUG	1
17	R2486580100	OIL FILTER AY	1
18	200876	1/4-20 X 4 1/2 Hex Cap Screw	1
19	200828	1/4 x 1 fender Washer	1


 By Stonekor LLC

EMISSION SHUT DOWN

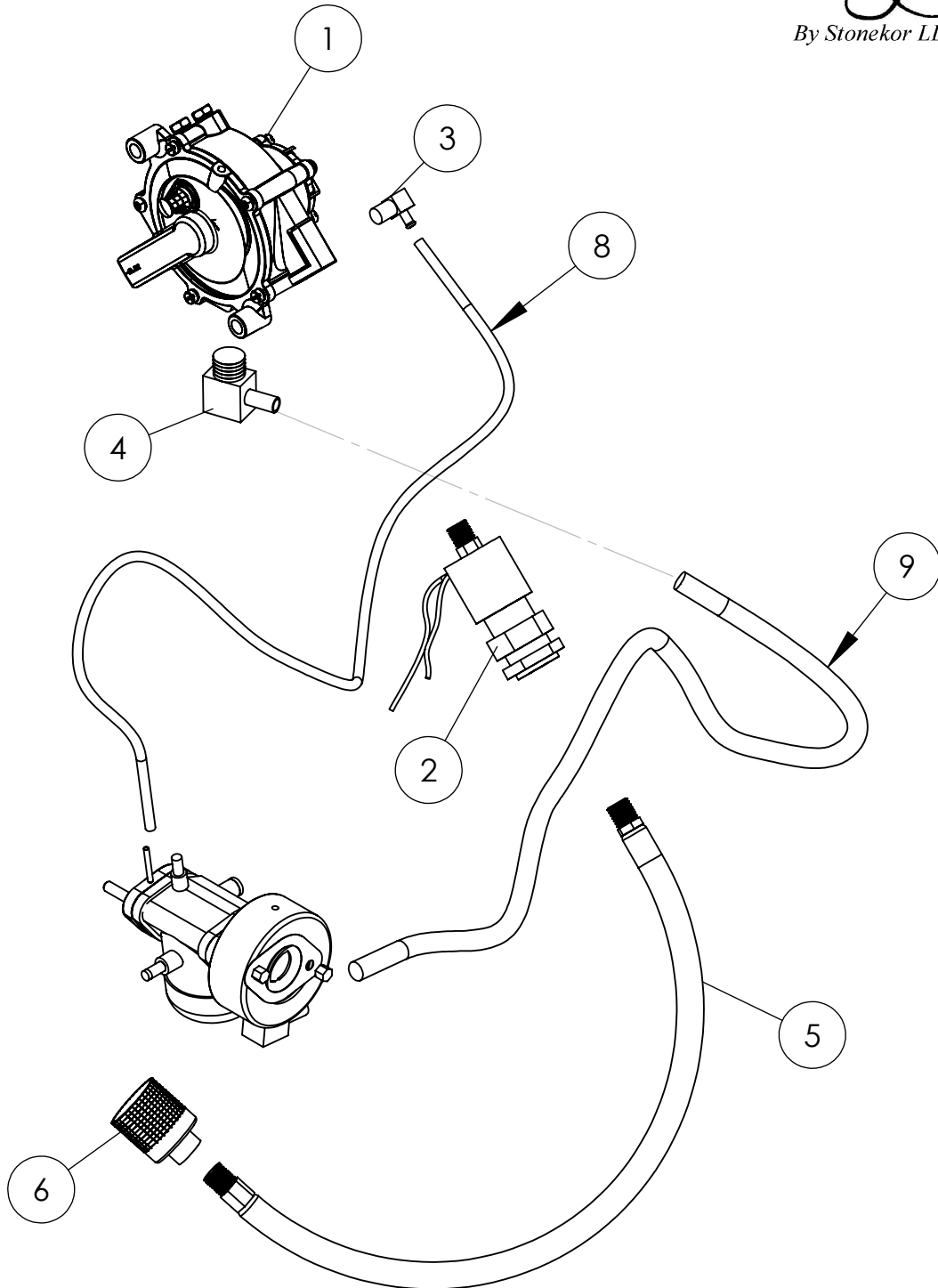


EMISSION SHUT DOWN

ITEM NO.	PART NUMBER	DESCRIPTION	QTY.
1	300142	EMISSION SHUT DOWN COMPLETE	1
2	300169	OXYGEN SENSOR ONLY	1
.	300139	EMISSION SHUT DOWN COMPLETE	1

REGULATOR ELECTRIC LOCK FITTING HOSE COUPLER

Eagle
By Stonekor LLC



REGULATOR ELECTRIC LOCK FITTING HOSE COUPLER

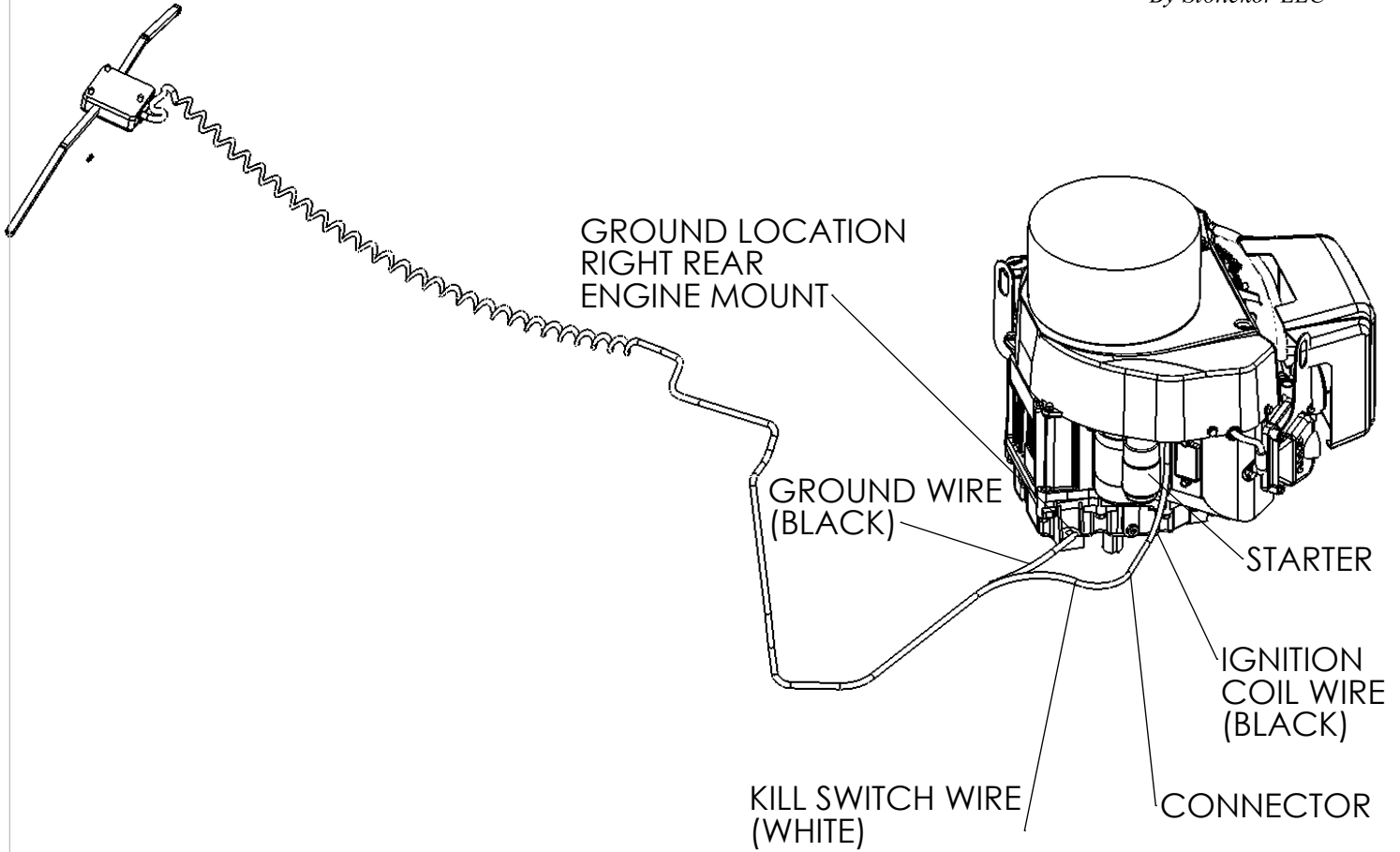
ITEM NO.	PART NUMBER	DESCRIPTION	QTY.
1	680350	REGULATOR FOR KAWASAKI & ROBIN	1
2	680265	FUEL LOCK WITH FILTER	1
3	1144	1/8 MALE PIPE X 3/16 HOSE BARB X 90	1
4	1143	BRASS ELBOW 3/8 X 3/8 NPT	1
5	1124	HOSE, LP TANK TO REGULATOR	1
6	1155	QUICK COUPLING	1
8	1117	HOSE, 3' VAC	1
9	1118	HOSE, 3' FUEL	1
.	300160	REGULATOR ELECT. LOCK FITTING COMPLETE	


By Stonekor LLC

KILL SWITCH SCHEMATIC ROBIN & KAWASAKI ENGINES

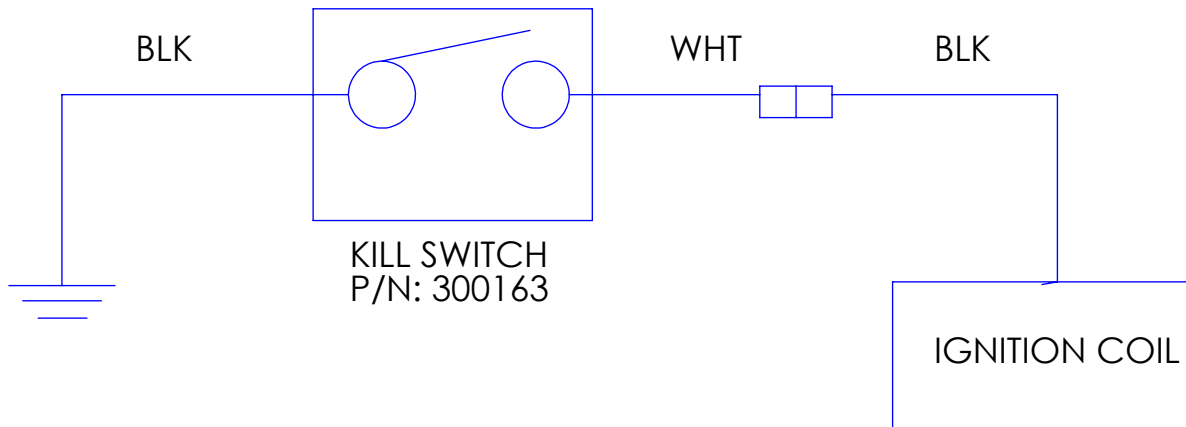


KILL SWITCH ASSEMBLY
200130

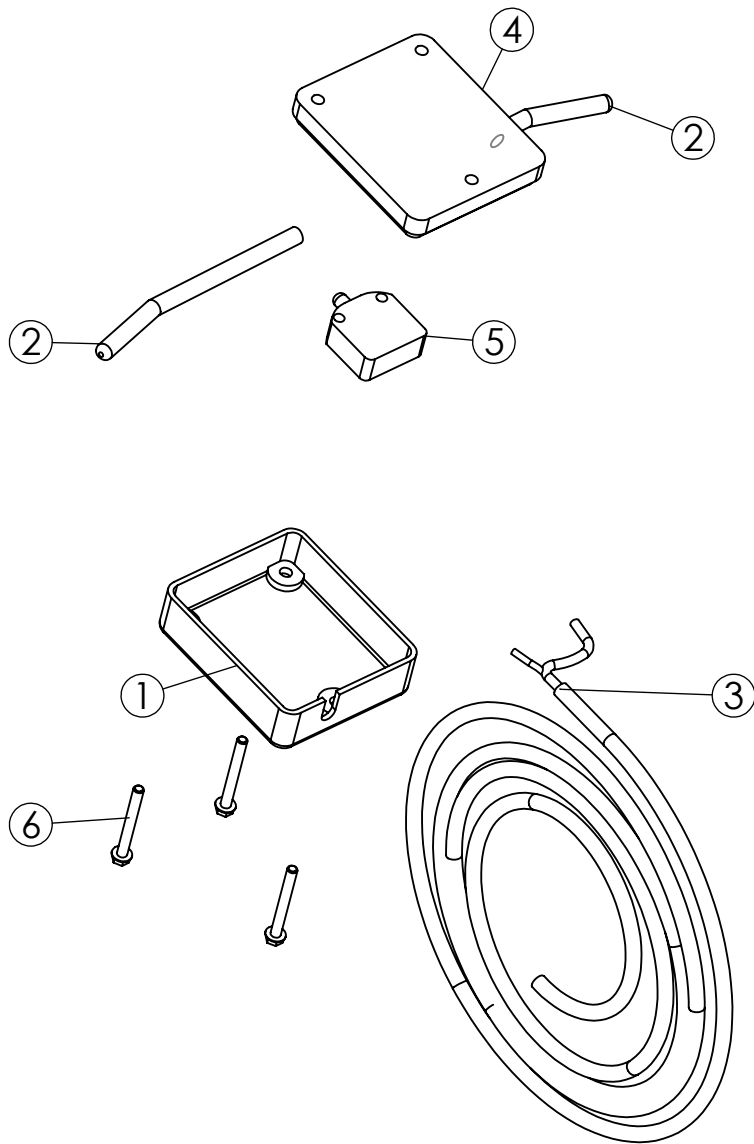


BLK = BLACK
WHT = WHITE

 = CONNECTOR



KILL SWITCH

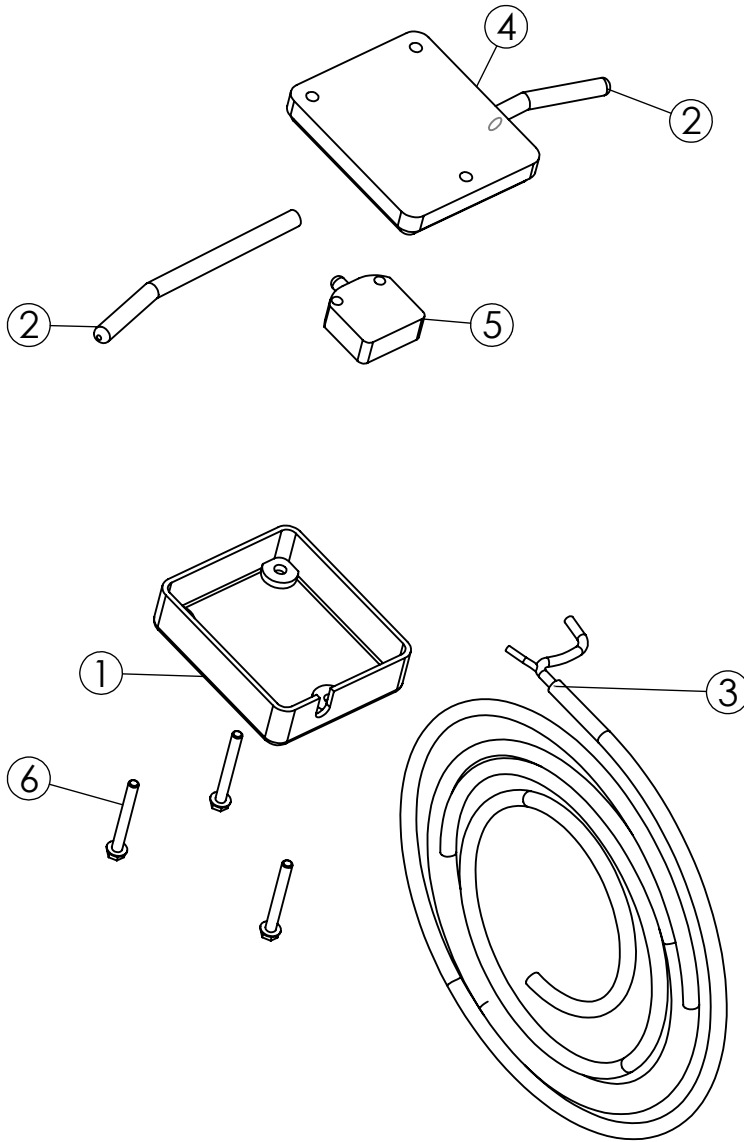


KILL SWITCH

ITEM NO.	PART NUMBER	DESCRIPTION	QTY.
1	680456	CLUTCH HOUSING TOP	1
2	602675	ARM & SPRINGS (1 PAIR)	
3	9039	CLUTCH SWITCH WIRE	1
4	680454	CLUTCH HOUSING BOTTOM	1
5	300163	SWITCH, KILL ONLY	1
6	200911	8 x 1-1/2 Self Tapping TEK	3
.	300140	KILL SWITCH COMPLETE	

ELECTRIC CLUTCH SWITCH

Eagle
By Stonekor LLC

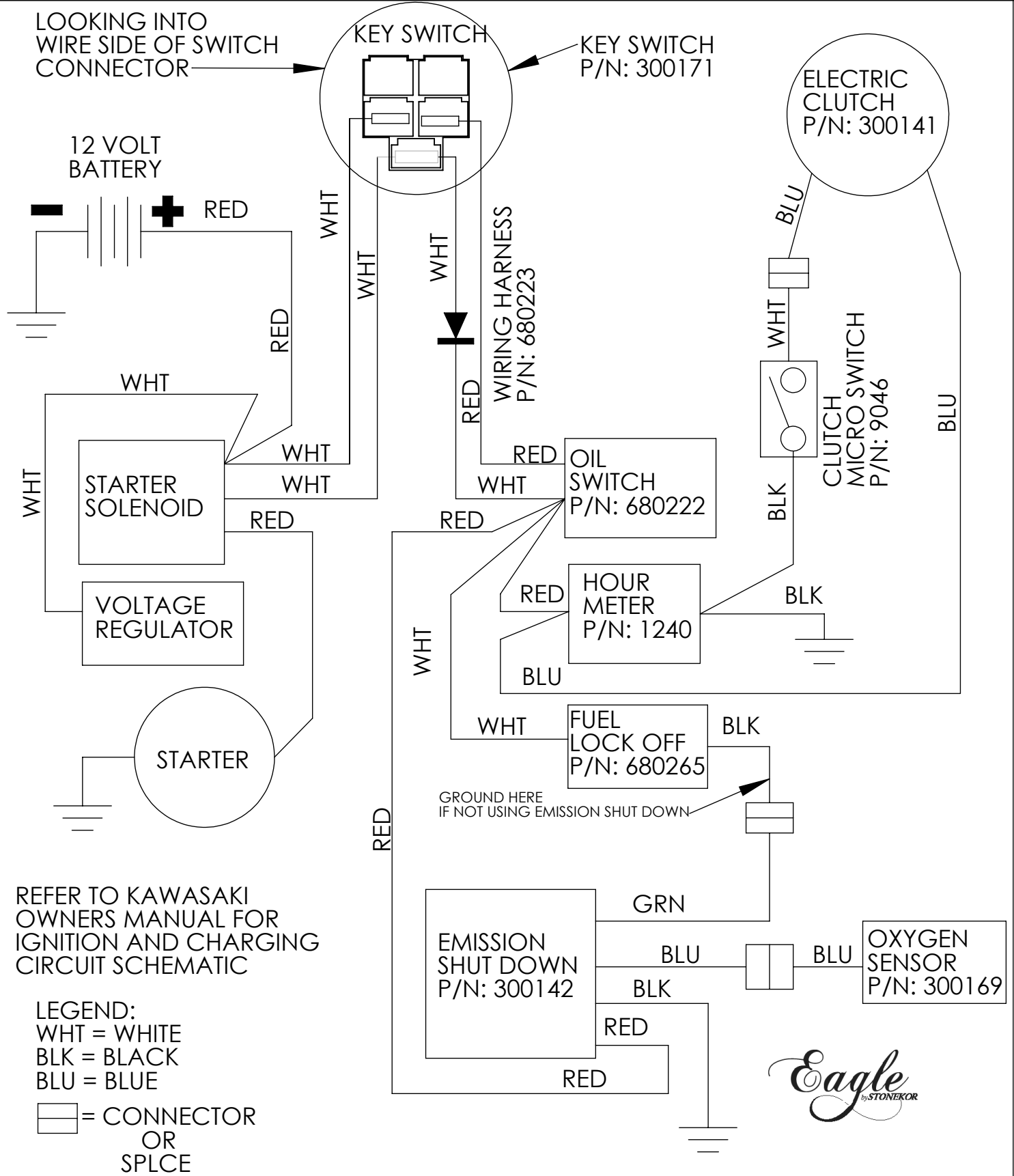


ELECTRIC CLUTCH SWITCH

ITEM NO.	PART NUMBER	DESCRIPTION	QTY.
1	680456	CLUTCH HOUSING TOP	1
2	602675	ARM & SPRINGS (1 PAIR)	
3	9039	CLUTCH SWITCH WIRE	1
4	680454	CLUTCH HOUSING BOTTOM	1
5	300164	SWITCH, CLUTCH ONLY	1
6	200911	8 x 1-1/2 Self Tapping TEK	3
.	681599	ELECTRIC CLUTCH SWITCH COMPLETE	


 By Stonekor LLC

WIRE HARNESS SCHEMATIC KAWASAKI 17 HP SIGNATURE SERIES AND DUST CONTROL WITH OPTIONAL ELECTRIC CLUTCH AND EMISSION SHUT DOWN



REFER TO KAWASAKI OWNERS MANUAL FOR IGNITION AND CHARGING CIRCUIT SCHEMATIC

LEGEND:
WHT = WHITE
BLK = BLACK
BLU = BLUE
[Symbol] = CONNECTOR OR SPLCE



WIRE HARNESS SCHEMATIC ROBIN 22 HP SIGNATURE SERIES AND DUST CONTROL WITH OPTIONAL ELECTRIC CLUTCH AND EMISSION SHUT DOWN

