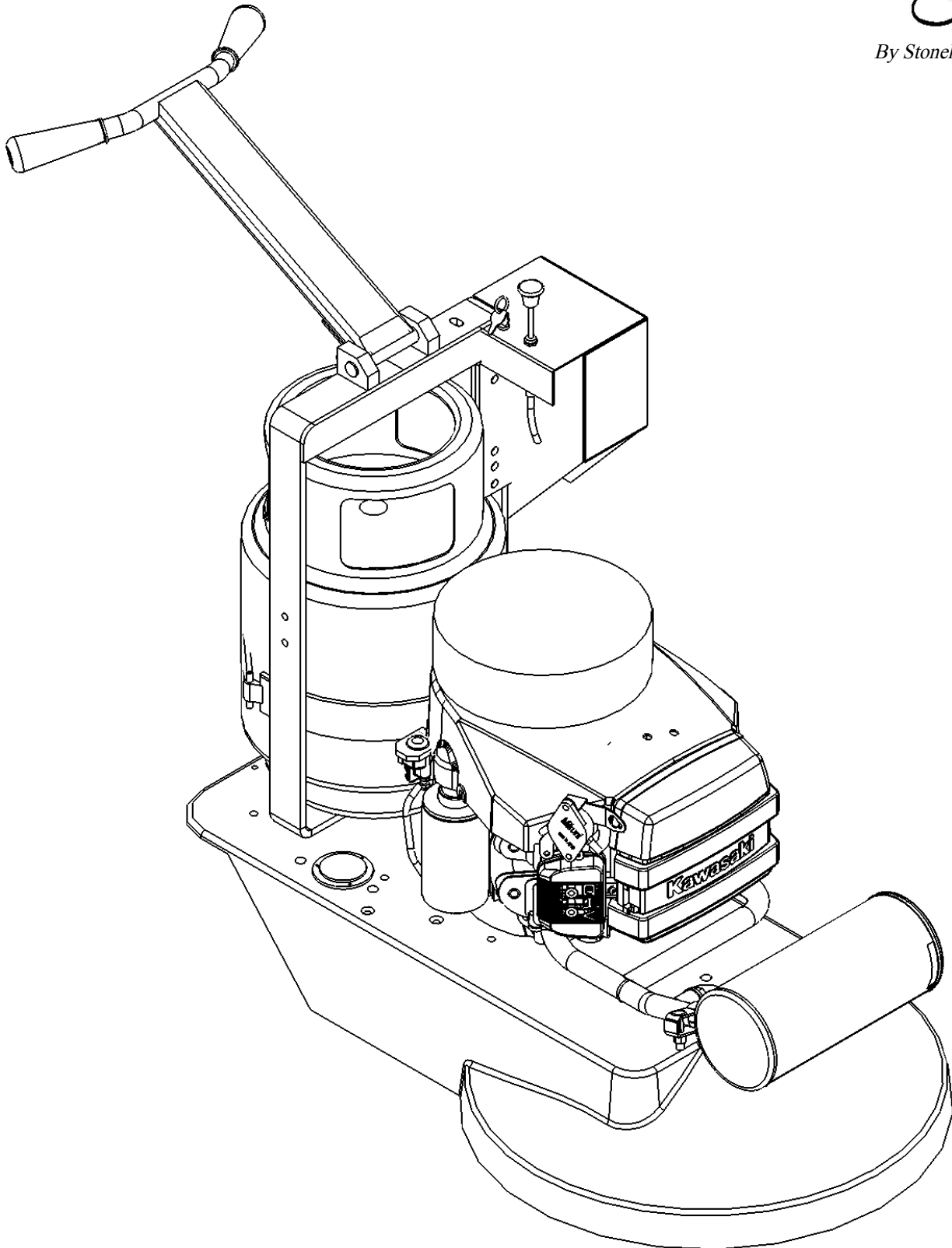


2100 SERIES

Eagle

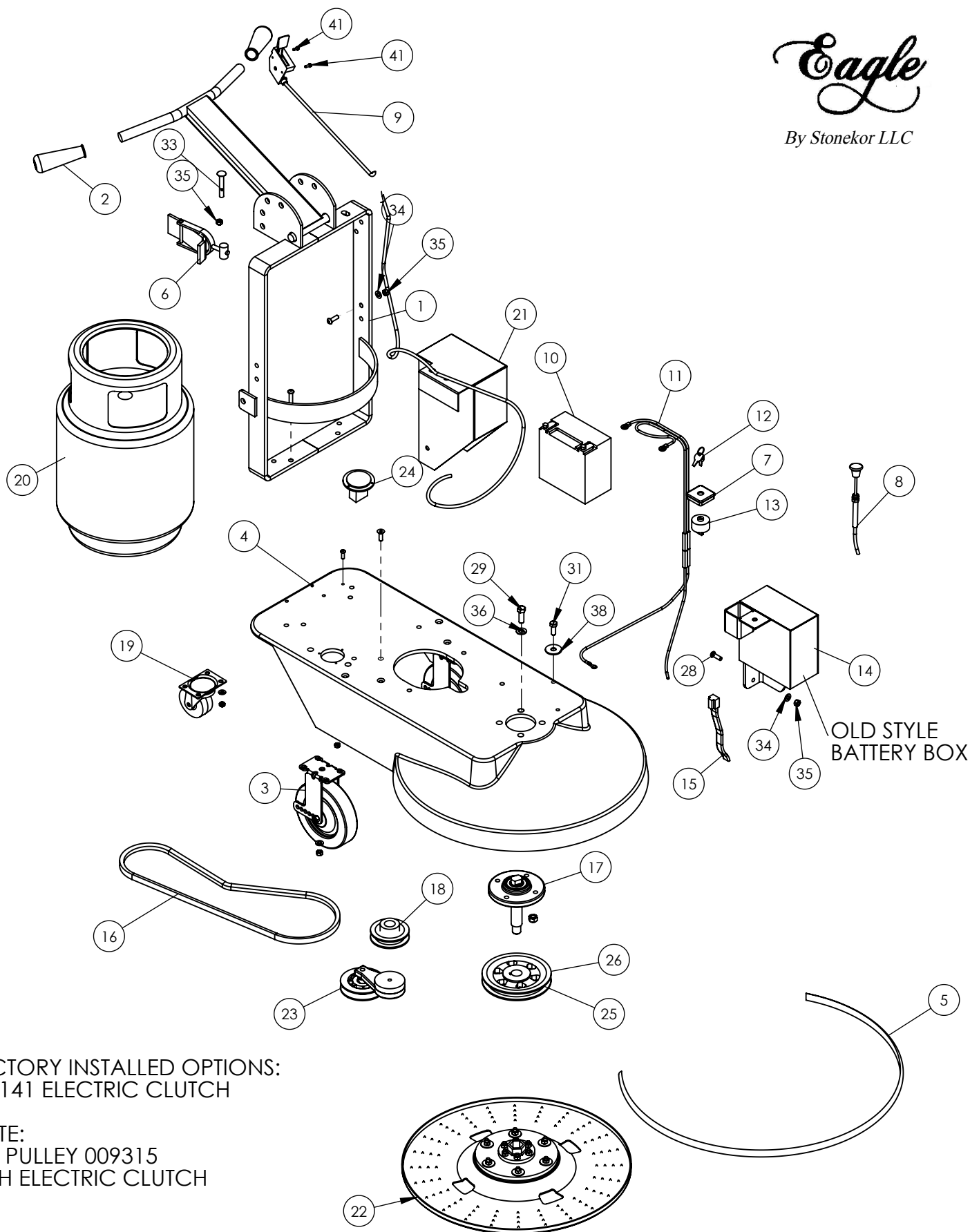
By Stonekor LLC



2100 SERIES BUFFER DECK SUB ASSEMBLY

Eagle

By Stonekor LLC



OLD STYLE BATTERY BOX

FACTORY INSTALLED OPTIONS:
300141 ELECTRIC CLUTCH

NOTE:
USE PULLEY 009315
WITH ELECTRIC CLUTCH

2100 SERIES BUFFER DECK SUB ASSEMBLY

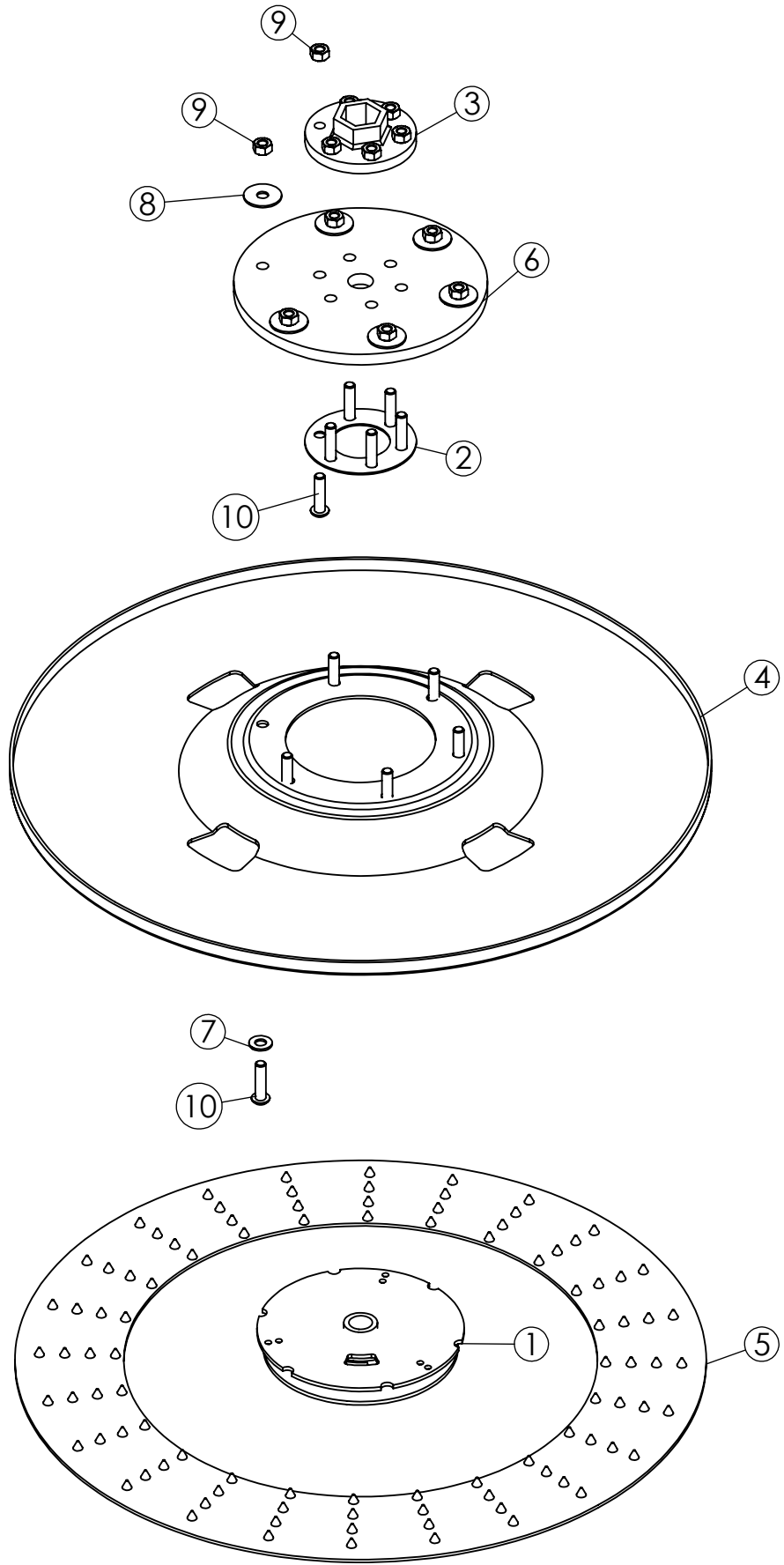
ITEM NO.	PART NUMBER	DESCRIPTION	QTY.
1	300174	HANDLE	1
2	1010	HANDLE GRIP	2
3	300165	WHEEL WITH BRACKET 6 X 5	2
4	300221	DECK 21" ALUM	1
5	1600	BUMPER MOULDING BUFFERS 6 FT	1
6	1003	TOGGLE	1
7	680209	KEY SWITCH HOUSING	1
8	680255	CHOKE CABLE PUSH / PULL (KAWASAKI / ROBIN)	1
9	680599	THROTTLE CABLE WITH STOPS	1
10	4002	BATTERY SM 12V	1
11	680296	BATTERY CONNECTOR COMPLETE - KAWASAKI	1
12	680082	REPLACEMENT KEY	1
13	300171	KEY SWITCH	1
14	680198	BATTERY BOX WITH KEY SWITCH / CHOKE	1
15	680223	WIRE HARNESS KAWASAKI	1
16	200340	BELT BX-40	1
17	300156	FRONT BEARING ASSY. STD (OLD # 681372)	1
18	001300	PULLEY, 3.5 X 1	1
19	1210	CASTER 3 X 1.5	1
20	680053	LP TANK (ALUM)	1
21	300179	BATTERY BOX (NEW)	1
22	300143	21" PAD DRIVER COMPLETE	1
23	680371	TENSIONER 21" BUFFER	1
24	200111	HOUR METER	1
25	001310	PULLEY, 6.2 X 1	1
26	009315	PULLEY, 7.0	1

2100 SERIES BUFFER DECK SUB ASSEMBLY

ITEM NO.	PART NUMBER	DESCRIPTION	QTY.
27	200842	5/16-18 x 1-1/4 Button Soc Cap Screw	4
28	200902	5/16-18 x 1 Button Soc Cap Screw	4
29	200849	7/16-20 x 1-1/4 Hex Head Cap Screw	4
30	200831	5/16-18 x 1 Flat Soc Cap Screw (Full Thread)	4
31	200800	3/8-16 x 1 Hex Cap Screw	1
32	200903	1/4-20 x 3/4 Button Soc Cap Screw	2
33	200861	3/8-16 x 2-1/2 Carriage Bolt	1
34	200832	5/16 SAE Flat Washer	8
35	200822	5/16-18 Nylon Insert L/N	8
36	200901	7/16 SAE Flat Washer	4
37	200877	7/16-20 Hex Nut Gr 5 Zinc	4
38	200829	5/16 x 1-1/2 Fender Washer	1
39	200900	1/4 SAE Flat Washer	3
40	200881	1/4-20 Nylon Insert L/N	3
41	200910	8 x 1/2 Hex Washer Self Tapping TEK	2


 By Stonekor LLC

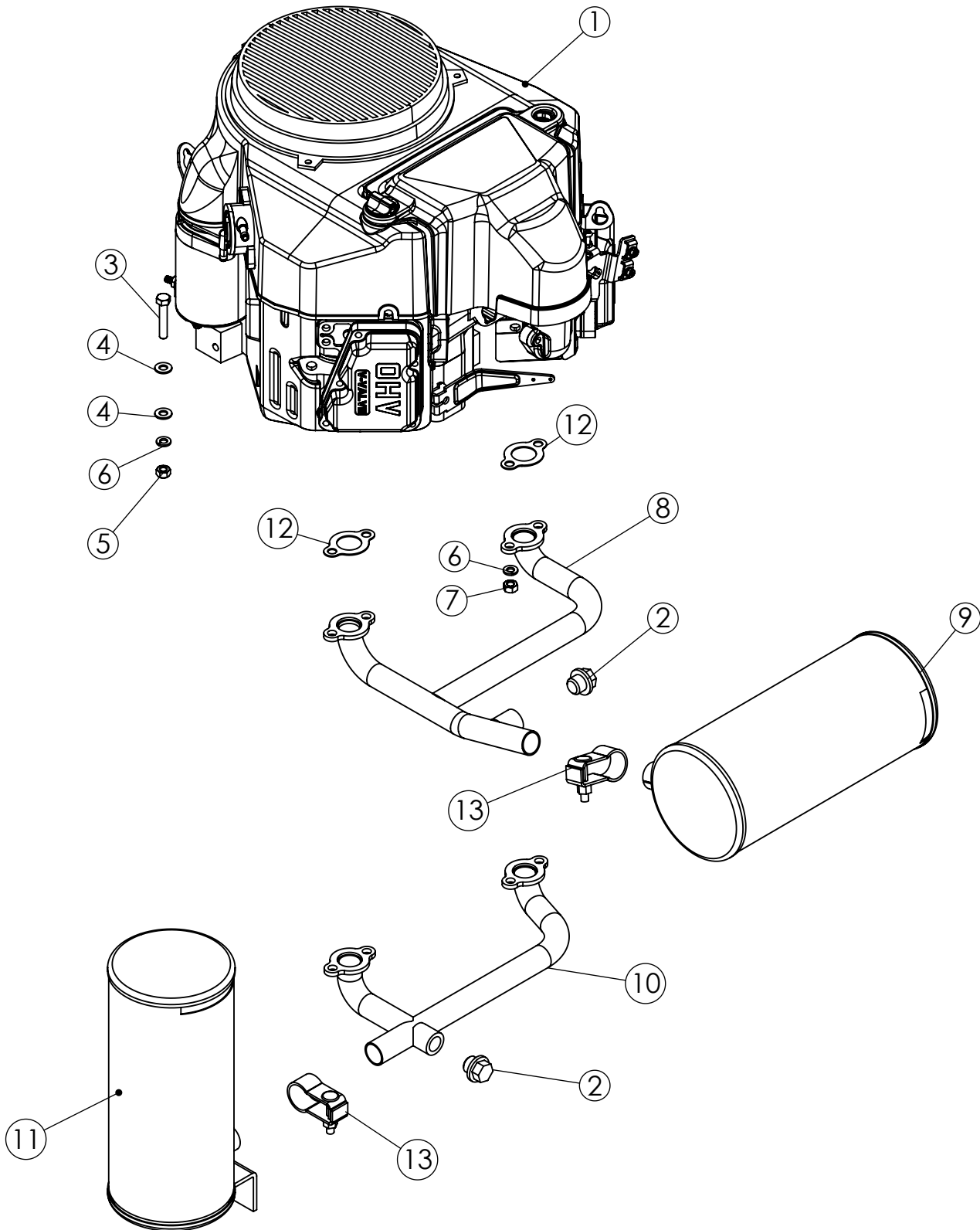
21 INCH PAD DRIVER



21 INCH PAD DRIVER

ITEM NO.	PART NUMBER	DESCRIPTION	QTY.
1	1410	CENTERLOCK	1
2	680581	FLANGE BACKING RING	1
3	680642	FLANGE 3-5/16	1
4	680675	PAD DRIVER 20.75	1
5	680683-21	PAD FACING 20 7/16" MIGHTY LOK II FACE WITH ADHESIVE	1
6	680679	RUBBER BISCUIT 2004 STYLE	1
7	200832	5/16 SAE Flat Washer	6
8	200829	5/16 x 1-1/2 Fender Washer	6
9	200822	5/16-18 Nylon Insert L/N	12
10	200842	5/16-18 x 1-1/4 Button Soc Cap Screw	12
.	300143	21" PAD DRIVER COMPLETE	

KAWASAKI FS-481-603 CC EXHAUST SYSTEM

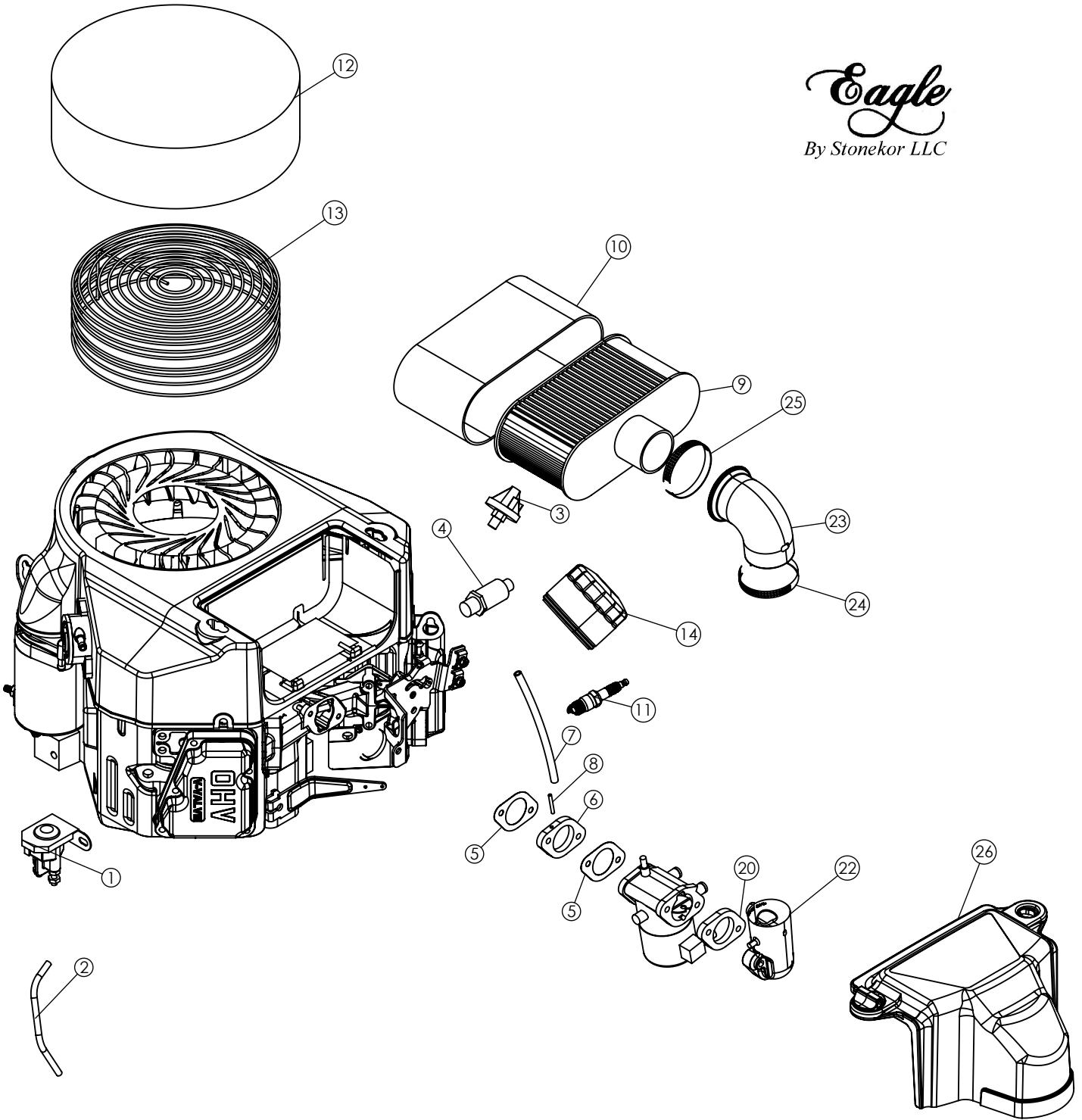


KAWASAKI FS-481-603 CC EXHAUST SYSTEM

ITEM NO.	PART NUMBER	DESCRIPTION	QTY.
1	300275	KAWASAKI ENGINE FS 481V W/O MUFFLER	1
2	680680	MANIFOLD BOLT PLUG	2
3	200858	5/16-18 x 1-3/4 Hex Cap Screw	4
4	200832	5/16 SAE Flat Washer	7
5	200822	5/16-18 Nylon Insert L/N	4
6	200885	5/16 Split Lock Washer	6
7	200905	8MM x 1.25 Hex Nut	4
8	300229	MANIFOLD HORIZONTAL FS 481 KAWASAKI NEW	1
9	300228	MUFFLER HORIZONTAL FS-481 KAWASAKI NEW	1
10	300233	MANIFOLD VERTICAL FS-481 KAWASAKI NEW	1
11	300232	MUFFLER VERTICAL FS-481 KAWASAKI NEW	1
12	W110607016	GASKET, MANIFOLD	2
13	300187	CLAMP MUFFLER ROBIN	2

KAWASAKI FS-481 603 CC ENGINE AND CARBURETOR

Eagle
By Stonekor LLC

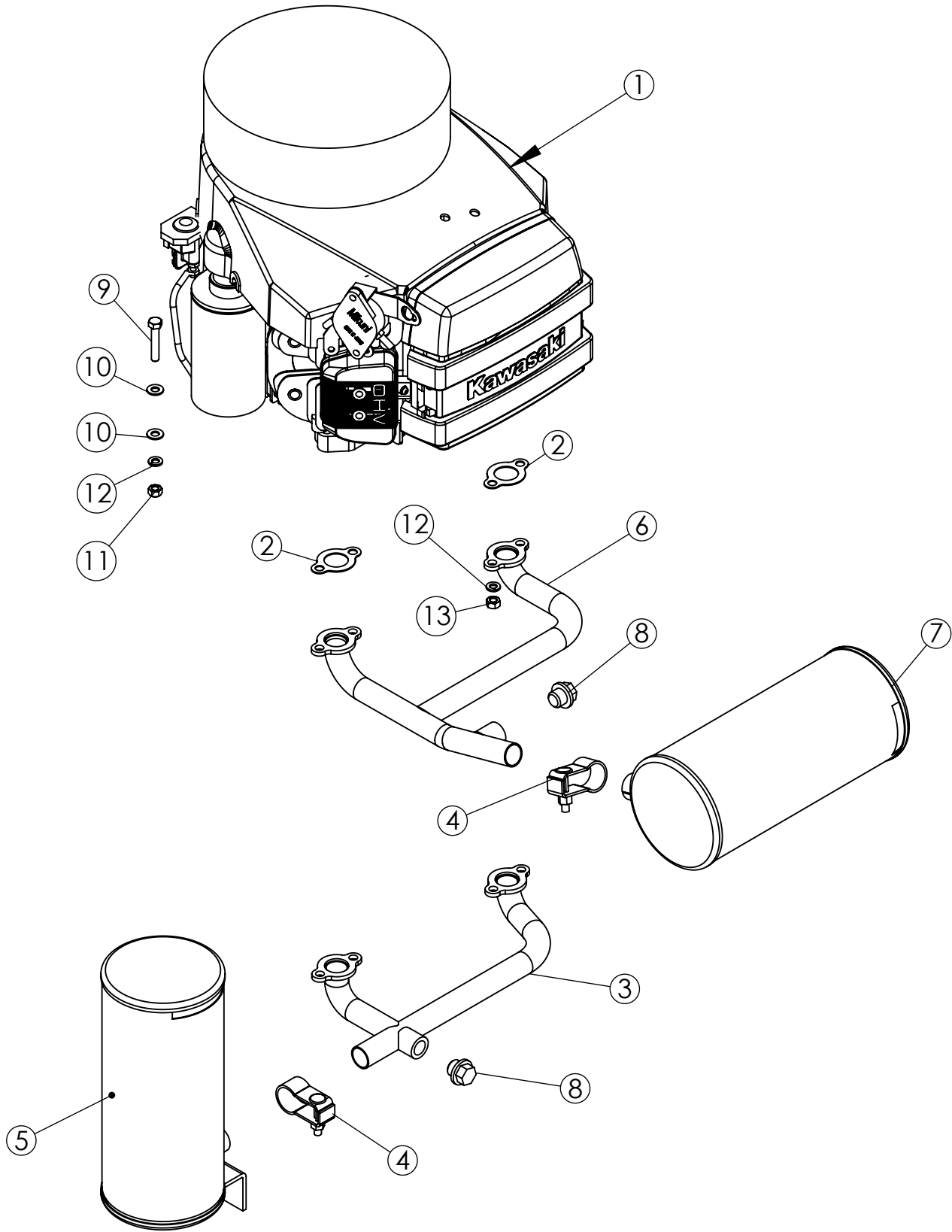


KAWASAKI FS-481 603 CC ENGINE AND CARBURETOR

ITEM NO.	PART NUMBER	DESCRIPTION	QTY.
1	680226	STARTER SOLENOID KAWASAKI	1
2	680298	STARTER TO SOLENOID WIRE	1
3	680222	OIL SWITCH	1
4	300202	VALVE OIL DRAIN	1
5	W110617004	GASKET AIR FILTER	2
6	W160737007	INSULATOR	1
7	1117	HOSE 3' VAC	1
8	1126	VENT TUBE	1
9	W999990384	ELEMENT AIR FILTER	1
10	W11013-7046	PRE CLEANER (KAWASAKI FS 481 V)	1
11	WBPR4ES	SPARK PLUG BPR4ES	1
12	680224	RECOIL FILTER- KAWASAKI	1
13	680225	RECOIL FILTER SUPPORT	1
14	W49065-7007	FILTER-OIL (KAWASAKI FS 481 V)	1
18	W999966051	CARBURETOR ASSEMBLY KAWASAKI 17 HP	1
19	1143	BRASS ELBOW 3/8 X 3/8 NPT	1
20	R26338001A3	SPACER	1
21	300297	CARB COMPLETE JD FS 481	1
22	W160607042	PIPE-INTAKE	1
23	W92192-7146	TUBE A/C	1
24	W92171-7010	CLAMP	1
25	W92173-7007	CLAMP	1
26	W110117064	CASE-AIR FILTER	1


 By Stonekor LLC

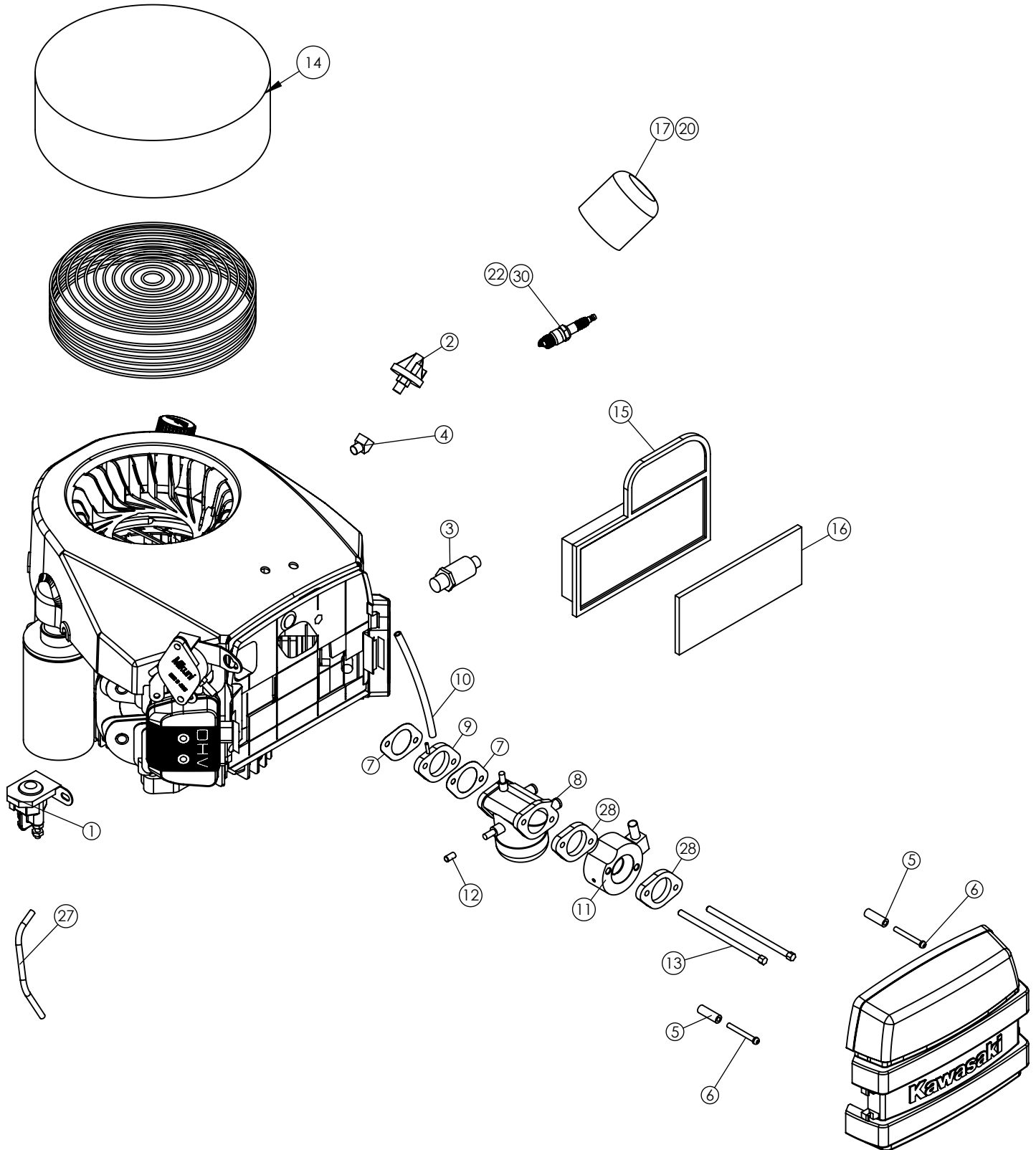
KAWASAKI FH-541-585 CC EXHAUST SYSTEM



KAWASAKI FH-541-585 CC EXHAUST SYSTEM

ITEM NO.	PART NUMBER	DESCRIPTION	QTY.
1	300149	KAWASAKI 17 HP COMPLETE W/O MUFFLER & MANIFOLD	1
2	W110607021	GASKET, MANIFOLD	2
3	300153	MANIFOLD KAWASAKI VERTICAL (680656)	1
4	300186	MUFFLER CLAMP KAWASAKI (680269)	2
5	300152	MUFFLER KAWASAKI VERTICAL (680268)	1
6	300151	MANIFOLD KAWASAKI HORIZONTAL	1
7	300150	MUFFLER KAWASAKI HORIZONTAL	1
8	680680	MANIFOLD BOLT PLUG	2
9	200858	5/16-18 x 1-3/4 Hex Cap Screw	4
10	200832	5/16 SAE Flat Washer	7
11	200822	5/16-18 Nylon Insert L/N	4
12	200885	5/16 Split Lock Washer	6
13	200905	8MM x 1.25 Hex Nut	4

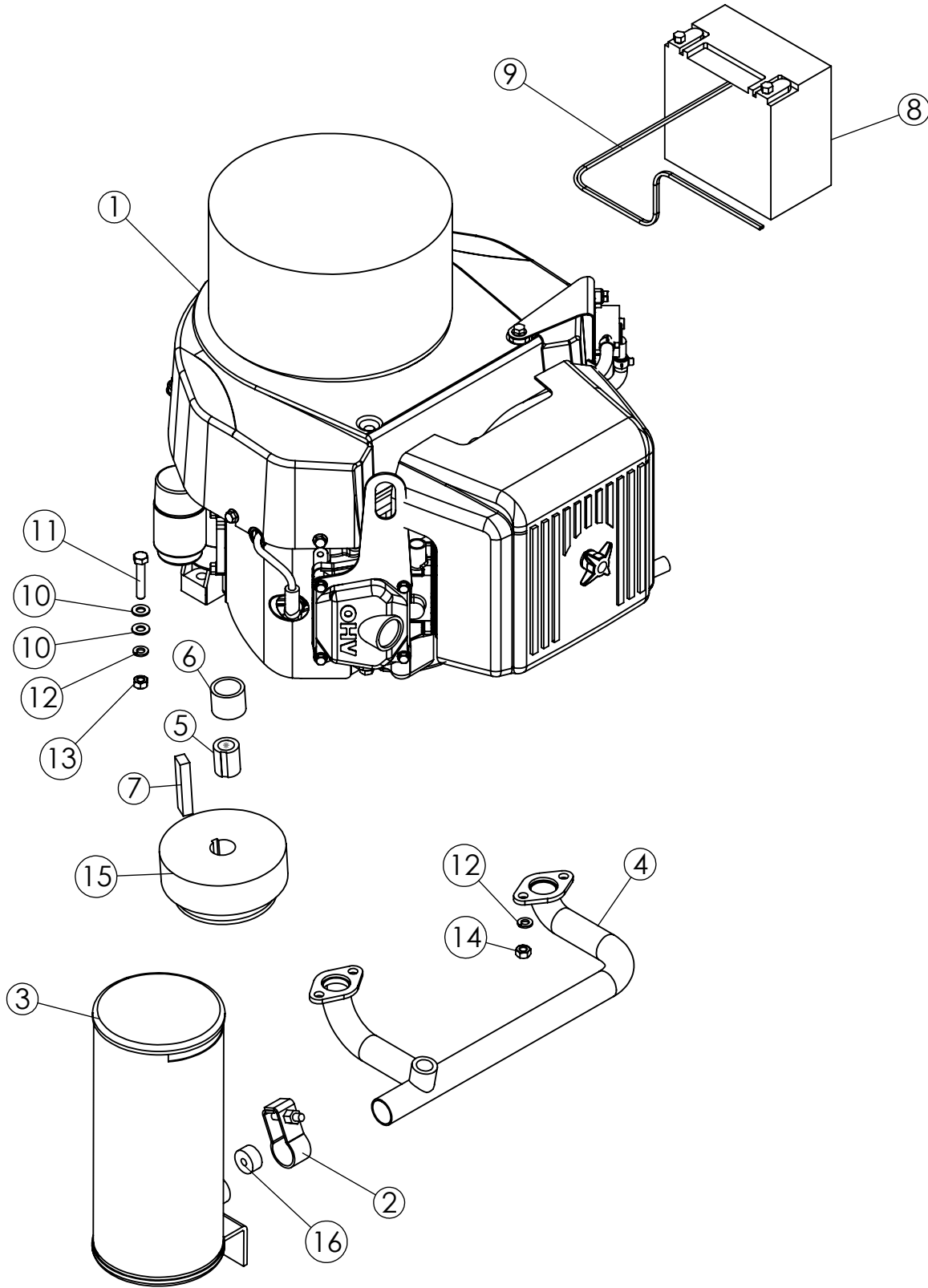
KAWASAKI FH-541-585 CC ENGINE AND CARBURETOR



KAWASAKI FH-541-585 CC ENGINE AND CARBURETOR

ITEM NO.	PART NUMBER	DESCRIPTION	QTY
1	680226	STARTER SOLENOID KAWASAKI	1
2	680222	OIL SWITCH	1
3	300202	VALVE OIL DRAIN	1
4	680088	SENDING UNIT ELBOW	1
5	680227	SPACER 1 1/8 KAWASAKI	2
6	680230	SCREW 10-32 X 1 3/4	2
7	W110617004	GASKET AIR FILTER	2
8		CARBURETOR ASSEMBLY ROBIN 22 HP	1
9	W160737007	INSULATOR	1
10	1117	HOSE 3' VAC	1
11	680236	FUEL LOAD BLOCK KAWASAKI	1
12	680235	RUBBER CAP 1/4-KAWASAKI	1
13	680229	STUD M6 X 130 KAWASAKI	2
14	680224	RECOIL FILTER- KAWASAKI	1
15	W11013-7001	AIR FILTER (KAWASAKI FH541 V)	1
16	W11013-7006	PRE CLEANER (KAWASAKI FH541 V)	1
17	W49065-7010	FILTER-OIL (KAWASAKI FH541 V)	1
18	W49065-7007	FILTER-OIL (KAWASAKI FS 481 V)	1
19	W92070-7004	PLUG, SPARK BPR4ES (NGK), SOLID (KAWASAKI FS 481 V)	2
27	680298	STARTER TO SOLENOID WIRE	1
28	R26338001A3	SPACER	2
29			1
30	WBPR4ES	SPARK PLUG BPR4ES	1

ROBIN 22 HP EXHAUST SYSTEM LX-30



Eagle
By Stonekor LLC

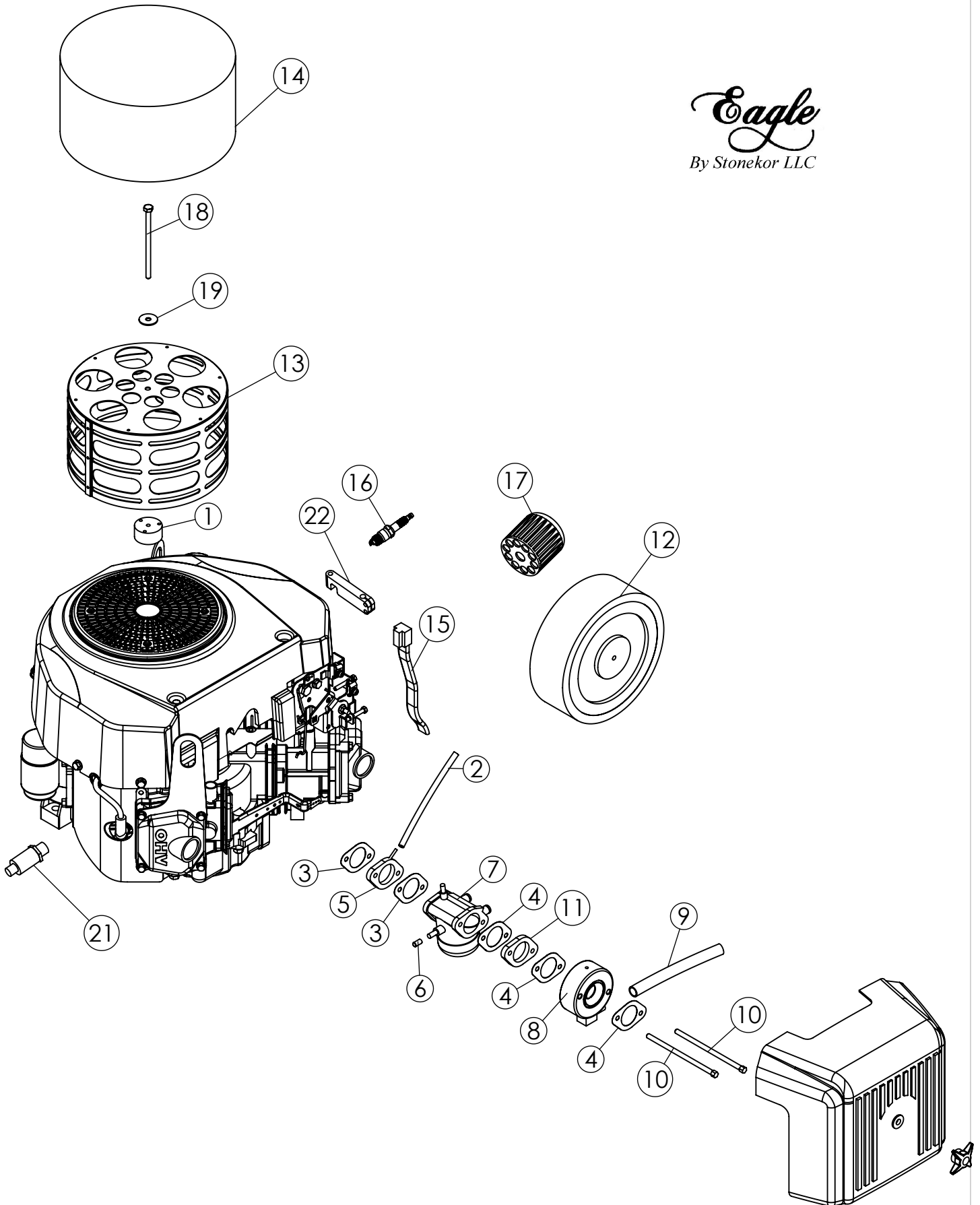
ROBIN 22 HP EXHAUST SYSTEM LX-30

ITEM NO.	PART NUMBER	DESCRIPTION	QTY.
1	300146	ROBIN 22 HP COMPLETE WITHOUT MUFFLER	1
2	300187	CLAMP MUFFLER ROBIN	1
3	300147	VERTICAL MUFFLER	1
4	300148	MANIFOLD ROBIN VERTICAL	1
5	200154	SHAFT EXTENSION ROBIN	1
6	200146	SPACER, CLUTCH	1
7	200155	KEY STOCK	1
8	4002	BATTERY SM 12V	1
9	200124	BATTERY CABLE ASSY	1
10	200832	5/16 SAE Flat Washer	7
11	200858	5/16-18 x 1-3/4 Hex Cap Screw	4
12	200885	5/16 Split Lock Washer	6
13	200822	5/16-18 Nylon Insert L/N	4
14	200905	8MM x 1.25 Hex Nut	4
15	680956	CENTRIFUGAL CLUTCH	1
16	680266	ALUM MUFFLER SPACER 1/2 X 1 X 5/16 HOLE	1


 By Stonekor LLC

ROBIN 22 HP ENGINE AND CARBURETOR

Eagle
By Stonekor LLC

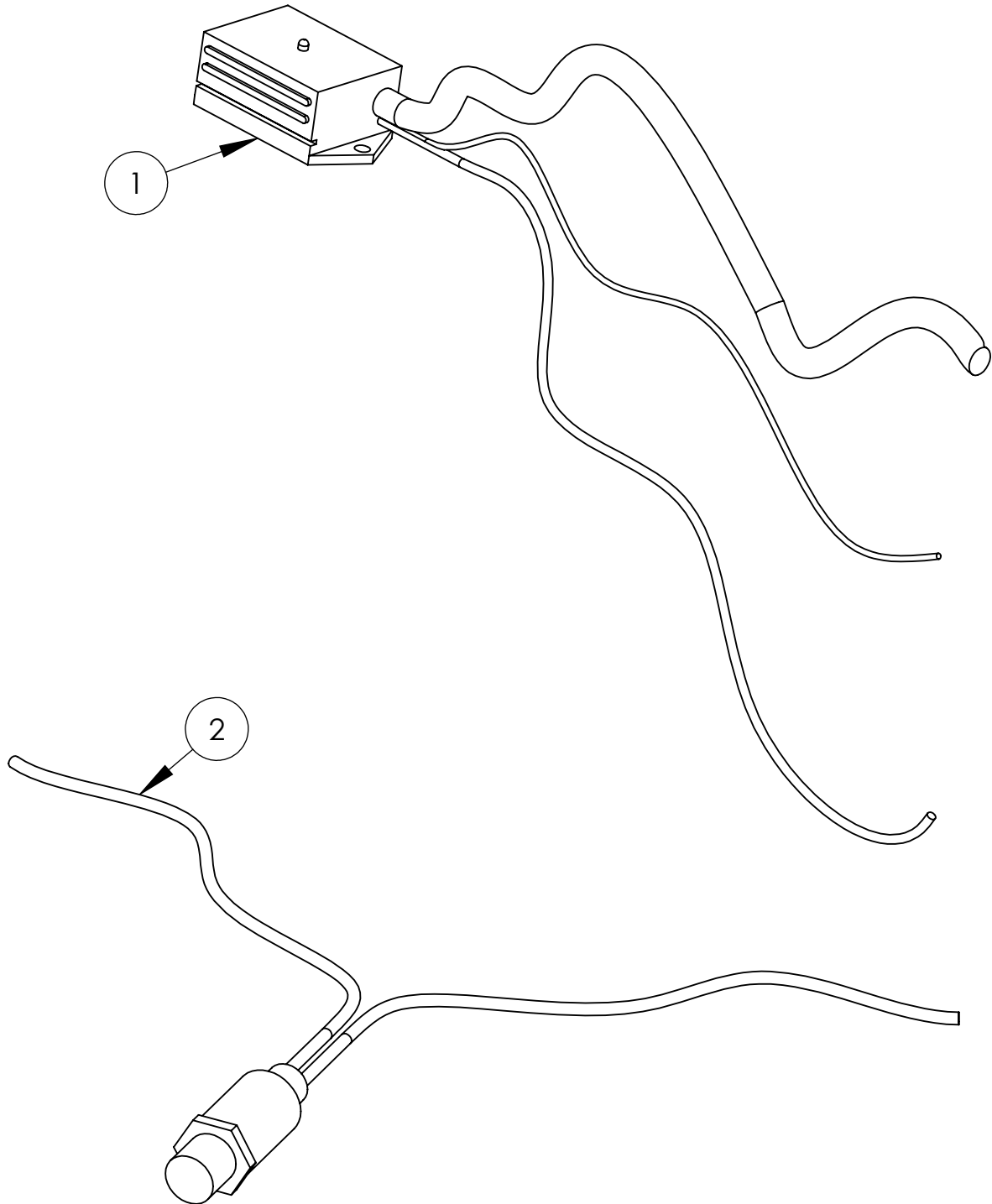


ROBIN 22 HP ENGINE AND CARBURETOR

ITEM NO.	PART NUMBER	DESCRIPTION	QTY.
1	200128	RECOIL SUPPORT FOR STUD	1
2	1117	HOSE 3' VAC	1
3	R26335501A3	INSULATOR GASKET	2
4	R26335502A3	AIR CLEANER GASKET	3
5	R26335401A3	INSULATOR WITH VACUUM TUBE	1
6	680235	RUBBER CAP 1/4-KAWASAKI	1
7		CARBURETOR ASSEMBLY ROBIN 22 HP	1
8	680553	ROBIN 22 HP FUEL LOAD BLOCK	1
9	1118	HOSE 3' FUEL	1
10	680229	STUD M6 X 130 KAWASAKI	2
11	R26338001A3	SPACER	1
12	R26332610A1	AIR CLEANER WITH FOAM PRE FILTER	1
13	300203	FILTER SUPPORT SCREEN ROBIN	1
14	680509	RECOIL FILTER ROBIN	1
15	R263-73123-A1	WIRE HARNESS SK SERIES GRINDERS ONLY	1
16	RX650140730	BPR4EY SPARK PLUG	1
17	R2486580100	OIL FILTER AY	1
18	200876	1/4-20 X 4 1/2 Hex Cap Screw	1
19	200828	1/4 x 1 fender Washer	1

Eagle
By Stonekor LLC

EMISSION SHUT DOWN

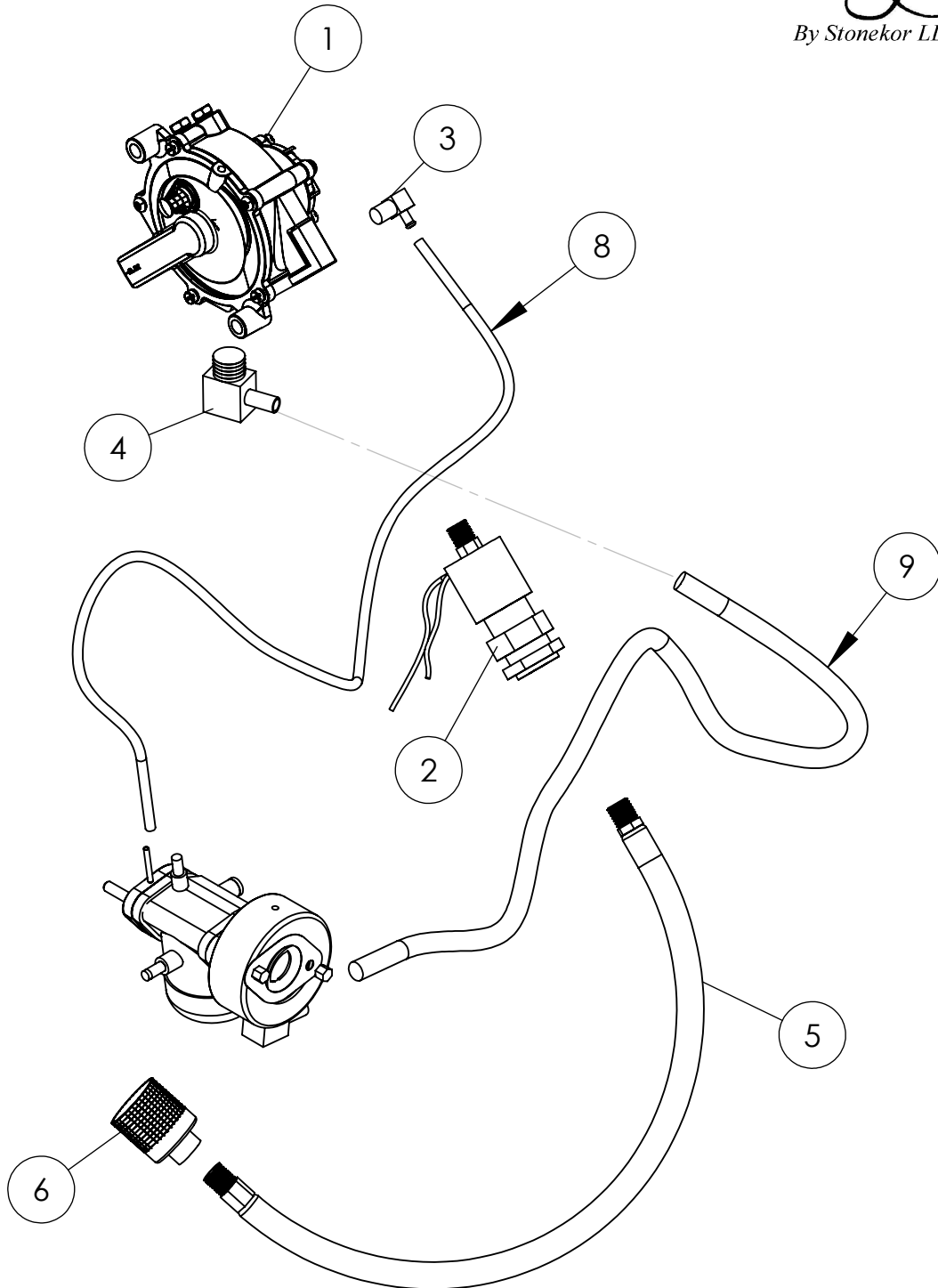


EMISSION SHUT DOWN

ITEM NO.	PART NUMBER	DESCRIPTION	QTY.
1	300142	EMISSION SHUT DOWN COMPLETE	1
2	300169	OXYGEN SENSOR ONLY	1
.	300139	EMISSION SHUT DOWN COMPLETE	1

REGULATOR ELECTRIC LOCK FITTING HOSE COUPLER

Eagle
By Stonekor LLC



REGULATOR ELECTRIC LOCK FITTING HOSE COUPLER

ITEM NO.	PART NUMBER	DESCRIPTION	QTY.
1	680350	REGULATOR FOR KAWASAKI & ROBIN	1
2	680265	FUEL LOCK WITH FILTER	1
3	1144	1/8 MALE PIPE X 3/16 HOSE BARB X 90	1
4	1143	BRASS ELBOW 3/8 X 3/8 NPT	1
5	1124	HOSE, LP TANK TO REGULATOR	1
6	1155	QUICK COUPLING	1
8	1117	HOSE, 3' VAC	1
9	1118	HOSE, 3' FUEL	1
.	300160	REGULATOR ELECT. LOCK FITTING COMPLETE	

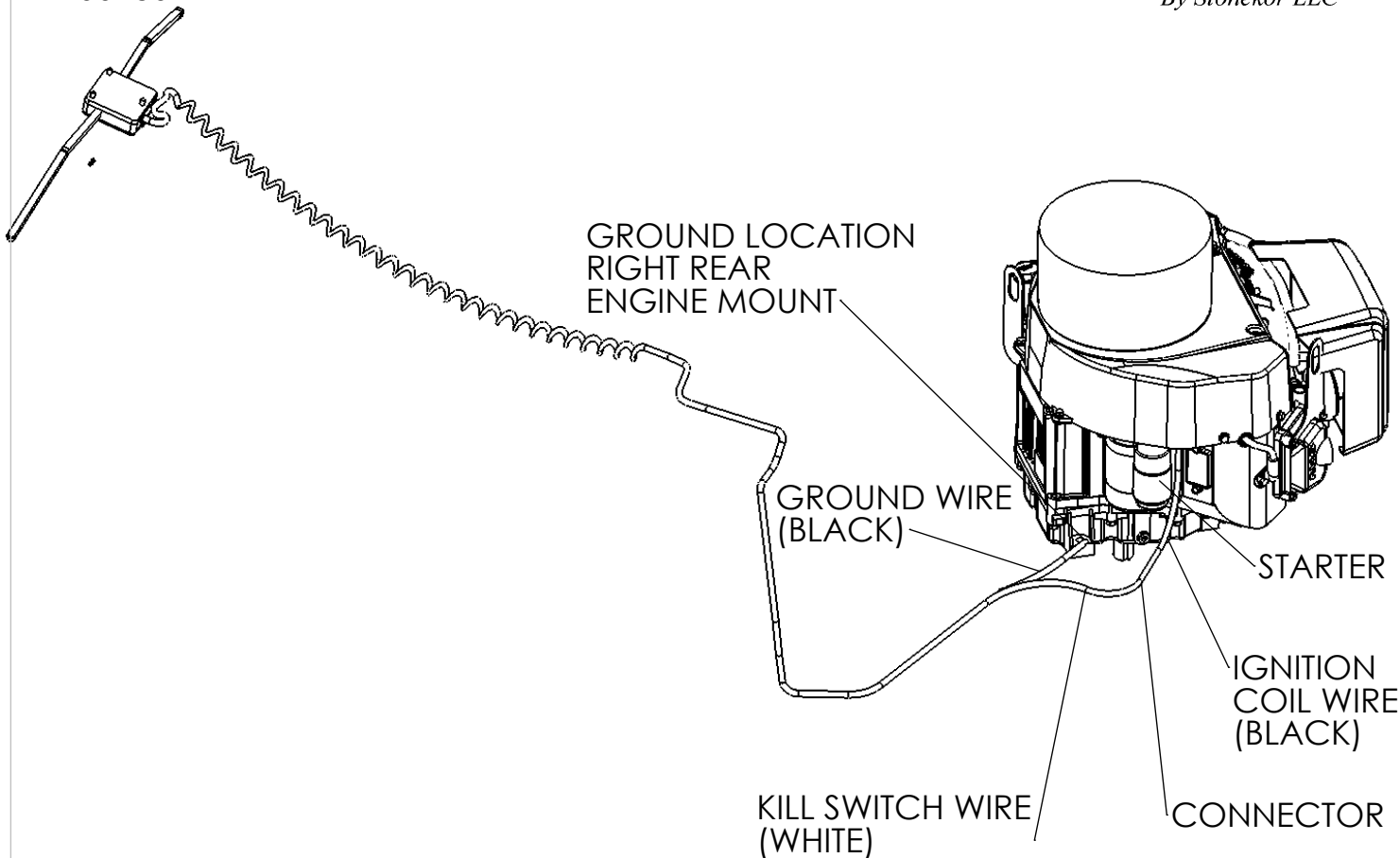

 By Stonekor LLC

KILL SWITCH SCHEMATIC ROBIN & KAWASAKI ENGINES

Eagle

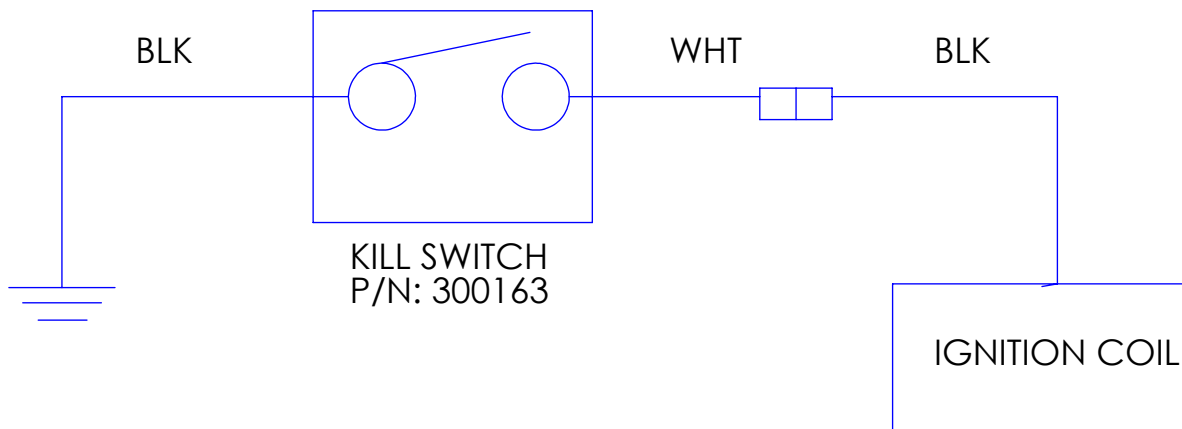
By Stonekor LLC

KILL SWITCH ASEMBLY
200130

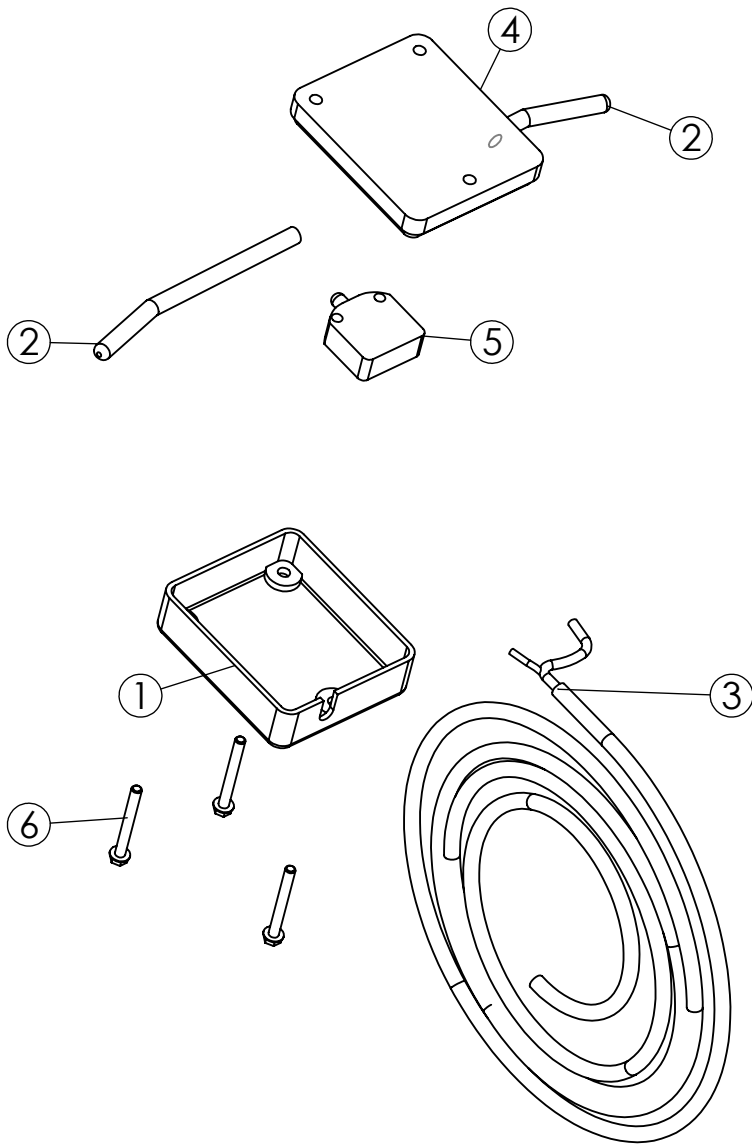


BLK = BLACK
WHT = WHITE

 = CONNECTOR



KILL SWITCH

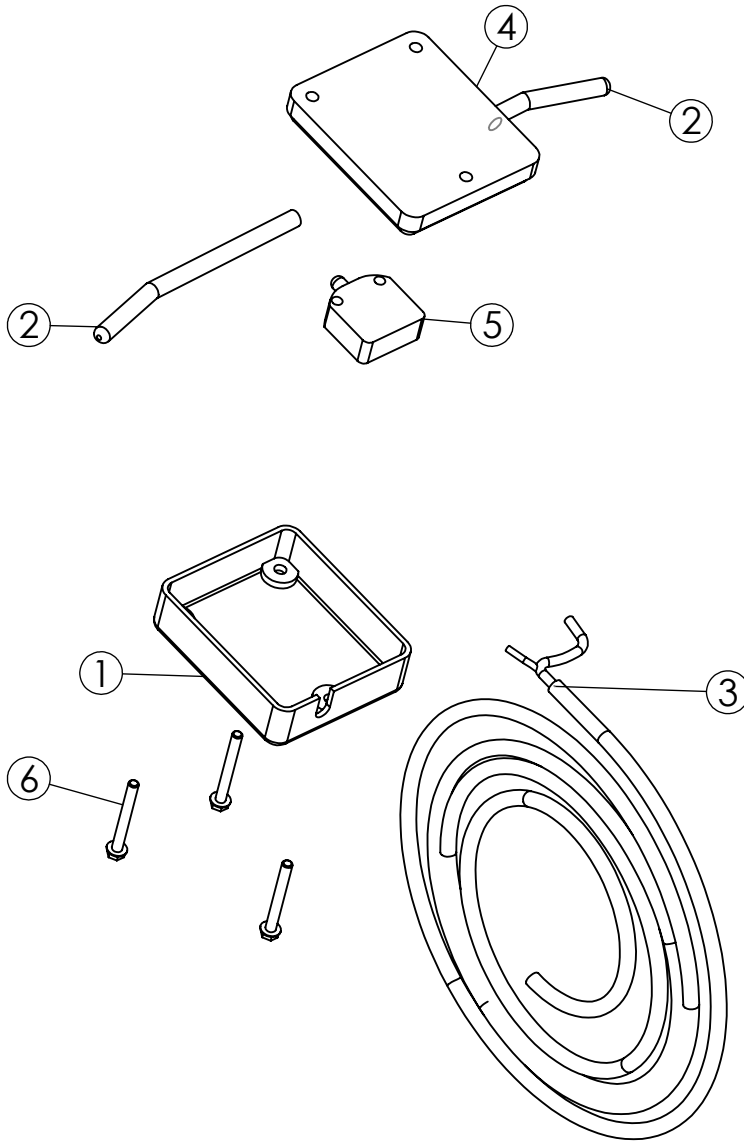


KILL SWITCH

ITEM NO.	PART NUMBER	DESCRIPTION	QTY.
1	680456	CLUTCH HOUSING TOP	1
2	602675	ARM & SPRINGS (1 PAIR)	
3	9039	CLUTCH SWITCH WIRE	1
4	680454	CLUTCH HOUSING BOTTOM	1
5	300163	SWITCH, KILL ONLY	1
6	200911	8 x 1-1/2 Self Tapping TEK	3
.	300140	KILL SWITCH COMPLETE	

ELECTRIC CLUTCH SWITCH

Eagle
By Stonekor LLC



ELECTRIC CLUTCH SWITCH

ITEM NO.	PART NUMBER	DESCRIPTION	QTY.
1	680456	CLUTCH HOUSING TOP	1
2	602675	ARM & SPRINGS (1 PAIR)	
3	9039	CLUTCH SWITCH WIRE	1
4	680454	CLUTCH HOUSING BOTTOM	1
5	300164	SWITCH, CLUTCH ONLY	1
6	200911	8 x 1-1/2 Self Tapping TEK	3
.	681599	ELECTRIC CLUTCH SWITCH COMPLETE	

Eagle
By Stonekor LLC

