

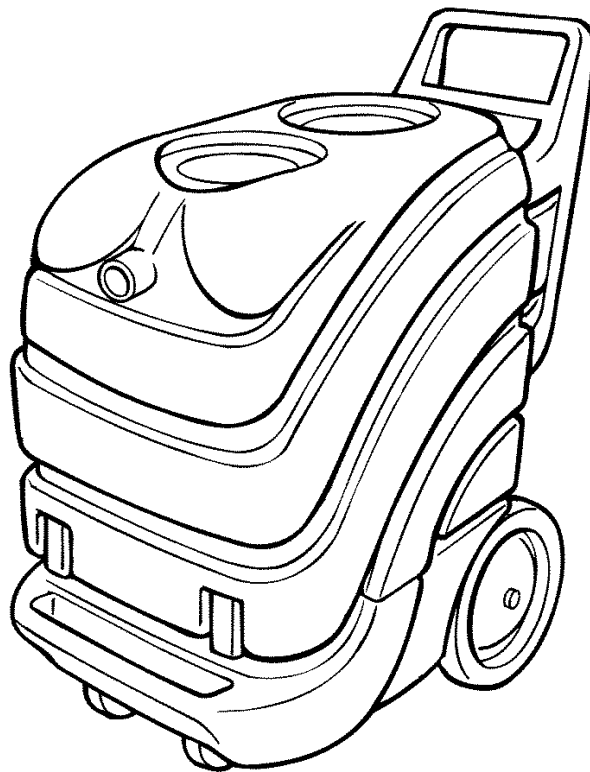


# 1180

**Carpet Extractor with Heat**

**Model No.:**  
**607677 – 1180**  
**607678 – 1180 Pac**

**Operator and Parts Manual**



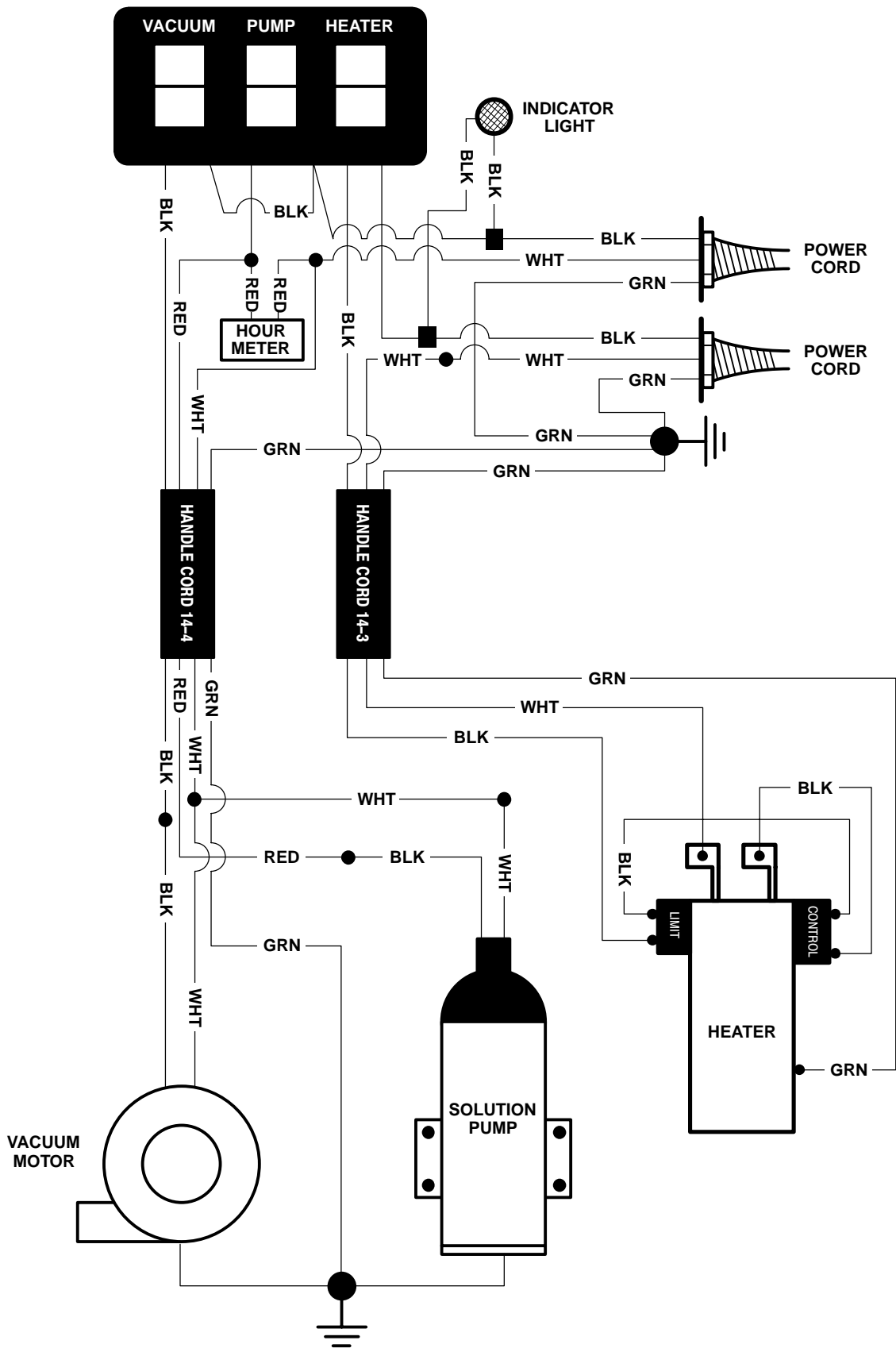
**TENNANT COMPANY**  
**Commercial Products**  
12875 RANSOM STREET  
HOLLAND MI 49424 U.S.A.

**FAX: 1-800-678-4240**  
**CUSTOMER SERVICE: 1-800-982-7658**

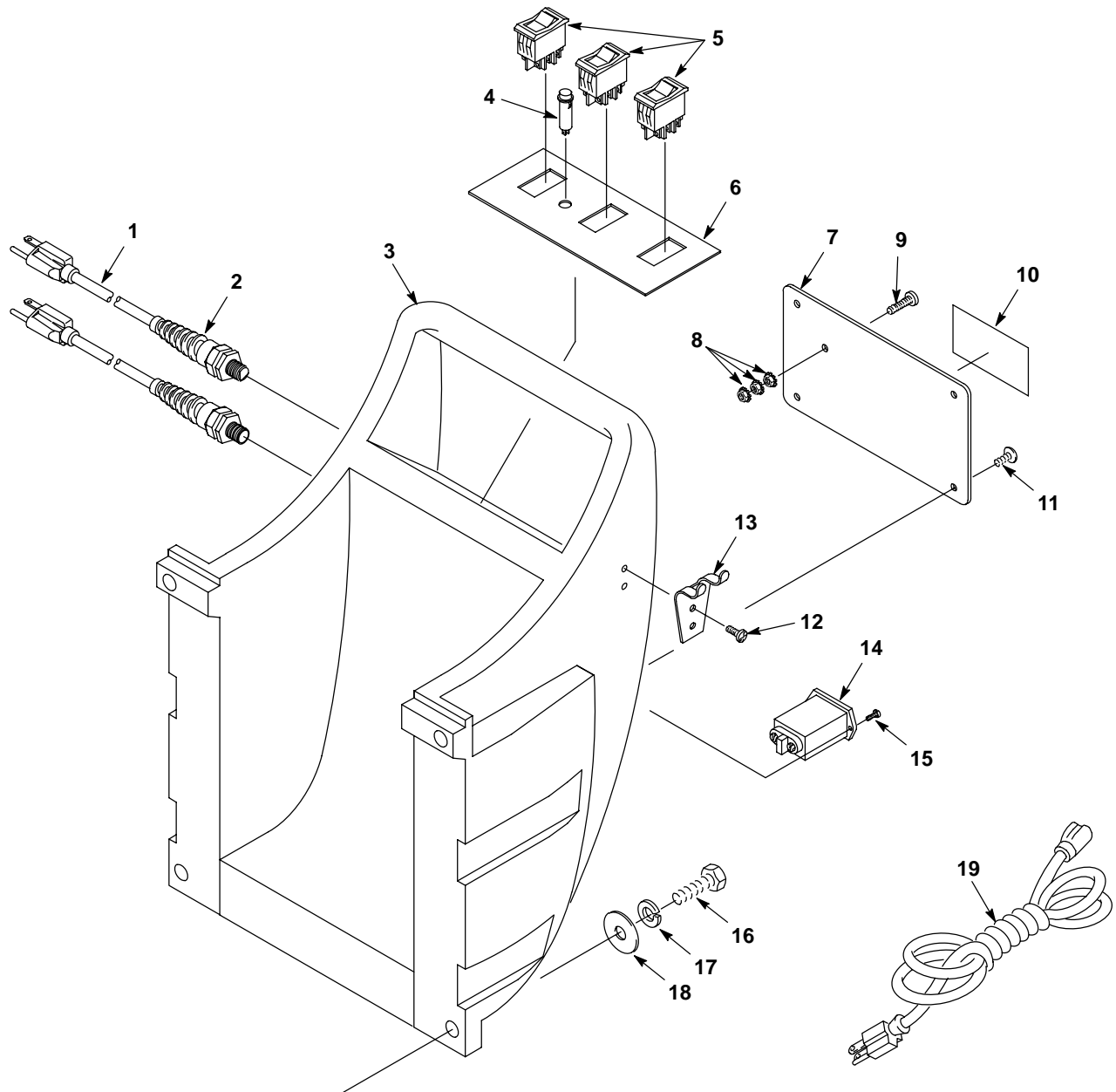
**608787**  
**Rev. 01 (04-01)**

# ELECTRICAL DIAGRAM

## 120V Wiring



HANDLE GROUP

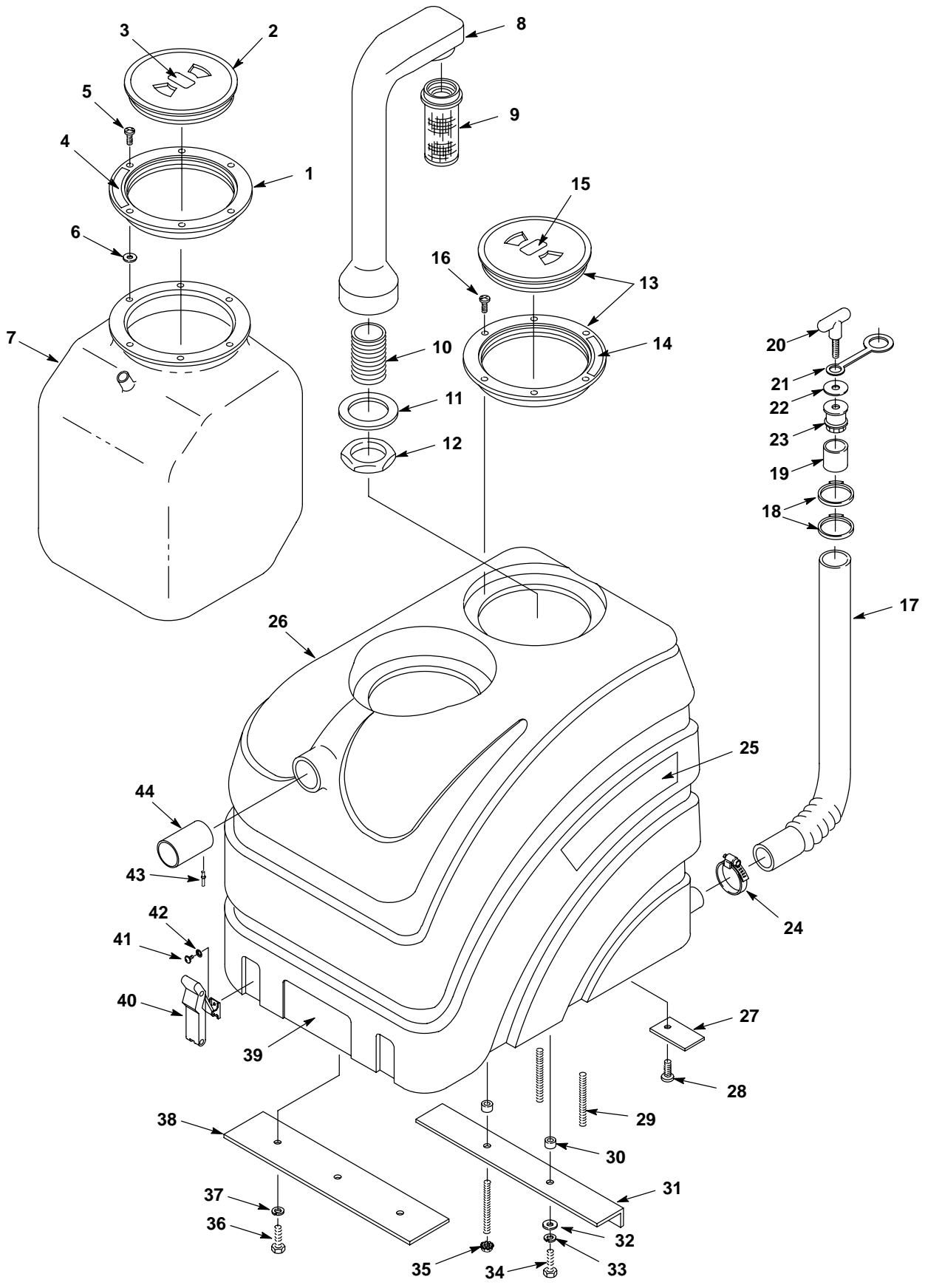


REF	PART #	DESCRIPTION	QTY.
1	130227	●CORD, 14/3 X 20" YELLOW	2
2	130166	●CORD GRIP, NYLON/BLK W/NUT	2
3	607688	HANDLE, TEAL	1
4	130691	●LIGHT, INDICATOR – GREEN	1
5	19417	●SWITCH, WITH ON/OFF	3
6	120189	DECAL, DASH	1
7	230908.BK	PLATE, REAR COVER BLACK	1
8	140519	NUT 10–24 KEP	3
9	140900	SCREW 10–24X3/4 TRSPHL	1
10	120619	DECAL, WARNING EXTRACTORS	1

REF	PART #	DESCRIPTION	QTY.
11	140197	SCREW 10–24X3/8 TRSPHL	4
12	140825	SCREW #6X1/2 PANPHL	2
13	230696.BK	BRACKET, DRAIN HOSE HANGER	1
14	130017	METER, HOUR–RECTANGULAR	1
15	140825	SCREW #6X1/2 PANPHL	2
16	140231	SCREW, HXHDCP 3/8X1–1/2	4
17	140017	WASHER 3/8 SPLTLCK	4
18	140028	WASHER 3/8 FLT	4
19	130694	●CORD, EXT 14/3X25' YELLOW	2

● RECOMMENDED STOCK ITEMS

UPPER HOUSING GROUP



## UPPER HOUSING GROUP

REF	PART #	DESCRIPTION	QTY.
▽	100103	CLEAR LID, W/CNTRS NK HOLES	1
▲1	100109	LID OUTER RING	1
▲2	100105	● LID, CENTER ONLY CLEAR	1
3	120190	DECAL, "USE BLEEDER HOSE"	1
4	120907	DECAL, "IMPORTANT..."	1
5	140900	SCREW, 10-24X3/4 TRSPHL	6
6	140000	WASHER, 1/4 FLT	6
7	602783	BLADDER	1
8	602448	STANDPIPE W/NIPPLE	1
9	180613	● FLOAT, SHUT-OFF	1
10	606088	FITTING 1-1/2" NIPPLE	1
11	101714	GASKET, WASTE AIR CHAMBER	1
12	210240	NUT, FLANGED METAL 1-1/2	1
13	100102	● CLEAR LID W/STANDARD HOLE	1
14	120907	DECAL, IMPORTANT-ALWAYS...	1
15	120906	DECAL, IMPORTANT-DRAIN...	1
16	140825	SCREW, #6X1/2 PANPHL	6
▽	590965	KIT, DRAIN HOSE COMPLETE	1
▲17	160627	HOSE, DRAIN	1
▲18	140072	CLAMP, 1 9/16 STEPLESS	2
▲19	140921	SLEEVE, DRAIN HOSE	1
▽▲	501061	● ASM DRAINHOSE STOPPER	1
▲20	230831	KNOB, DRAIN HOSE	1
▲21	230882	STRAP, DRAIN STOPPER	1

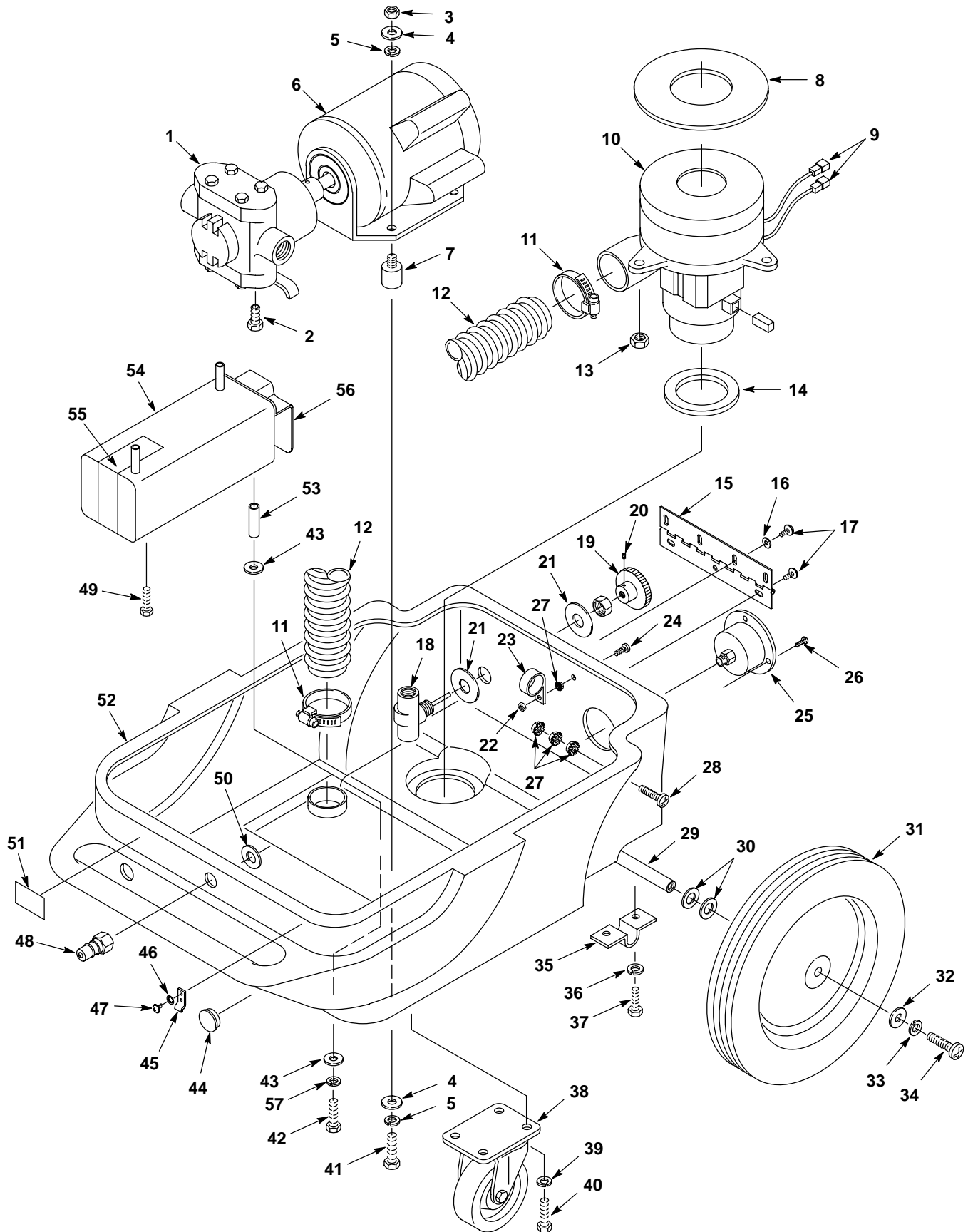
REF	PART #	DESCRIPTION	QTY.
▲22	140056	WASHER 3/8IDX1.50OD FNDR	1
▲23	140955	PLUG, DRAIN HOSE	1
24	140307	CLAMP, HOSE 3/4 TO 1-3/4	1
25	608112	DECAL, 1180	2
26	607686	TANK, RECOVERY, TEAL	1
27	230845	PLATE, CORD CLAMP	1
28	140834	SCREW 1/4-20X5/8 FLTPHL	1
29	140258	SCREW 1/4-20X4-1/4 STUD	3
30	140134	BUSHING .375ODX.250IDX.270THK	2
31	230846	BRACKET, TANK SUPPORT	1
32	140000	WASHER 1/4 FLT	1
33	140016	WASHER 1/4 LCK	1
34	140554	SCREW 1/4-20X3/4 HXHDCP	1
35	140524	NUT 1/4-20 KEP	1
36	140259	SCREW 1/4-20X5/8 HXHDCP	3
37	140016	WASHER 1/4 LCK	3
38	230946	BRACKET, TANK BRACE FRONT	1
39	120210	DECAL, "TENNANT" LOGO	1
40	140932	● LATCH, HOOD W/ KEEPER	2
41	140801	SCREW 8-32X3/8 TRSPHL	4
42	140023	WASHER #8 INT	4
43	140703	RIVET, POP 3/16 X .251-.375	1
44	230905	TUBE, INLET	1

▽ ASSEMBLY

▲ INCLUDED IN ASSEMBLY

● RECOMMENDED STOCK ITEMS

LOWER HOUSING GROUP



## LOWER HOUSING GROUP

REF	PART #	DESCRIPTION	QTY.
1	180100	PUMP, TWIN PISTON	1
2	140823	SCREW 10-24X5/8 TRSPHL	2
3	140506	NUT 5/16-18 HEX	4
4	140027	WASHER 5/16 FLT	8
5	140015	WASHER 5/16 SPLTLCK	8
6	130450	MOTOR, PUMP DRIVE 1/3 HP (120V)	1
	130453	MOTOR, PUMP DRIVE (230V)	1
7	130031	MOUNT, MOTOR 1-1/4"	4
8	100001	●GASKET VAC MOTOR 7.2	1
9	130096	TERMINAL, ML DSCNT	2
∇10	130404	●MOTOR, VAC 7.2/3 STAGE (120V)	1
▲	190157	●BRUSH,CARBON 2/PK	2
∇	130405	MOTOR, VAC 7.2/3 STAGE (230V)	1
▲	190157	BRUSH,CARBON 2/PK	2
11	140308	CLAMP, HOSE 1-5/16 TO 2-1/4	2
12	160629	●HOSE 2" X 28" WHITE	1
13	140501	NUT, 1/4-20 NYLOCK	3
14	102567	●GASKET, VAC MOTOR INTAKE	1
15	230390	HINGE, TANK	1
16	140000	WASHER 1/4 FLT	4
17	140885	SCREW 1/4-20X1/2 TRSPHL	7
∇18	210108	VALVE, PRESSURE CONTROL	1
▲19	210023	KNOB, NEEDLE VALVE	1
20	140894	SCREW, SCST CPPT 10-32X1/4	1
21	27820	WASHER, FLAT .687 ID X 1.50 OD	2
22	140552	NUT 10-24 NYLCK	1
23	140328	CLAMP, 3/8" NYLON	1
24	140196	SCREW 10-24X1 TRSPHL	1
25	606659	GAUGE,PRESSURE 0-600 PSI	1
26	140825	SCREW #6X1/2 PANPHL	3
27	140519	NUT 10-24 KEP	4

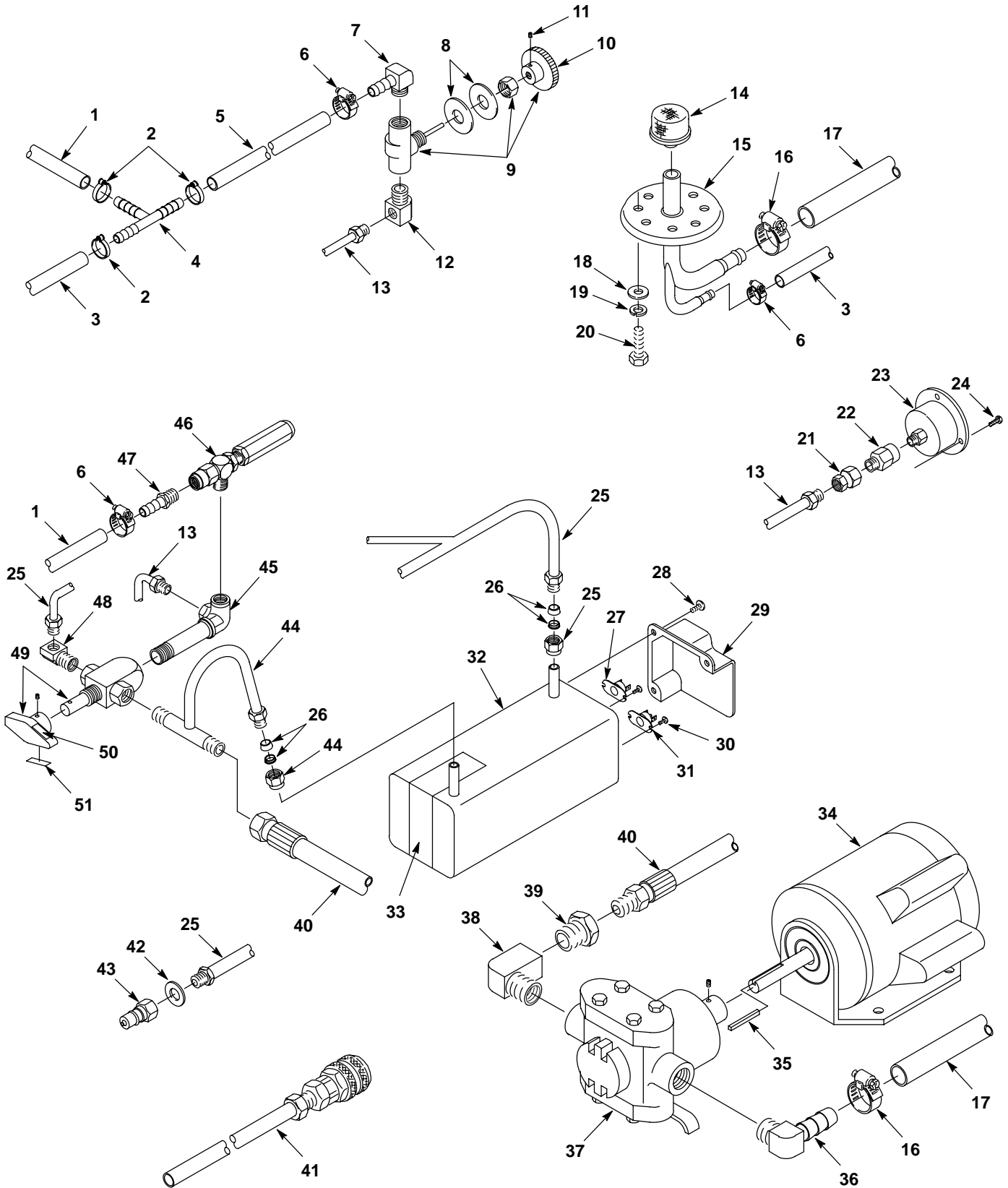
REF	PART #	DESCRIPTION	QTY.
28	140196	SCREW 10-24X1 TRSPHL	1
29	230907	AXLE, 18"	1
30	140008	WASHER 1/2 FLT	4
31	103009	●WHEEL, 12" X 1.75 WHITE/GRAY	2
32	140000	WASHER 1/4 FLT	2
33	140016	WASHER 1/4 LCK	2
34	140885	SCREW 1/4-20X1/2 TRSPHL	2
35	230746	BRACKET AXLE OFFSET	2
36	140016	WASHER 1/4 LCK	4
37	140259	SCREW 1/4-20X5/8 HXHDCP	4
38	103065	●CASTER, SWIVEL 4"	2
39	140016	WASHER 1/4 LCK	8
40	140259	SCREW 1/4-20X5/8 HXHDCP	8
41	140223	SCREW 5/16-18X3/4 HXHDCP	4
42	140869	SCREW 10-24X1-3/4 PANPHL	2
43	140011	WASHER 3/16 FLT	4
44	130284	PLUG, DOME 1.00" BLACK	1
45	140932	KEEPER (PART OF LATCH)	2
46	140023	WASHER #8 INT	4
47	140801	SCREW 8-32X3/8 TRSPHL	4
48	150933	FITTING, 1/4F QD PLUG BRS SER60	1
49	140823	SCREW 10-24X5/8 TRSPHL	2
50	140058	WASHER .543X.875X.062 WAND	1
51	120123	DECAL, CAUTION PRESSURE	1
52	607683	CHASSIS, TEAL	1
53	140918	SPACER .20X.31X1.00	2
∇54	180440	HEATER, 1700W (120V) COMPLETE	1
	180441	HEATER 1700W (230V) COMPLETE	1
▲	102566	INSULATOR, HEATER	1
55	102568	STRAP, NYLON W/ ADHESIVE	1
56	101288	COVER HEATER	1

∇ ASSEMBLY

▲ INCLUDED IN ASSEMBLY

● RECOMMENDED STOCK ITEMS

PLUMBING GROUP





## PLUMBING GROUP

REF	PART #	DESCRIPTION	QTY.
1	606359	HOSE 1/4ID X 8" GRAY L.P.	1
2	140325	CLAMP, EAR 1/2"	3
3	606161	HOSE 1/4 X 36" GRAY L.P.	1
4	150713	TEE, UNION 1/4" BARB NYLON	1
5	606244	HOSE 1/4IDX16" LP	1
6	140305	CLAMP, HOSE 7/32-5/8 DIAM	3
7	150418	FITTING, 1/4MX1/4H ELBOW 90 BRS	1
8	27820	WASHER, FLAT .687 ID X 1.50 OD	2
∇9	210108	●VALVE, PRESS CNTRL W/NUT	1
▲10	210023	●KNOB, NEEDLE VALVE	1
▲11	140894	●SCREW, SCST CPPT 10-32X1/4	1
12	606987	FITTING, 1/4"NPTM X 1/4"INV.FL	1
13	606666	ASM PRESSURE GAUGE TUBE	1
14	603186	●SCREEN CLEAN WATER TANK	1
15	600452	PLATE BLADDER ASM	1
16	140310	CLAMP, HOSE 5/16-7/8	2
17	603051	HOSE, 29"LONG REINFORCED	1
18	140000	WASHER 1/4 FLT	4
19	140016	WASHER 1/4 LCK	4
20	140259	SCREW 1/4-20X5/8 HXHDCP	4
21	606665	FITTING, GAUGE ADAPTER	1
22	606660	●FITTING, GAUGE SNUBBER	1
23	606659	●GAUGE, PRESSURE 0-600 PSI	1
24	140825	SCREW #6X1/2 PANPHL	3
25	606663	HEATER OUTLET TUBE W/NUT	1
26	600546	FERRULE S/S FOR #600545	2
27	130692	CONTROL, THERMOSTAT	1

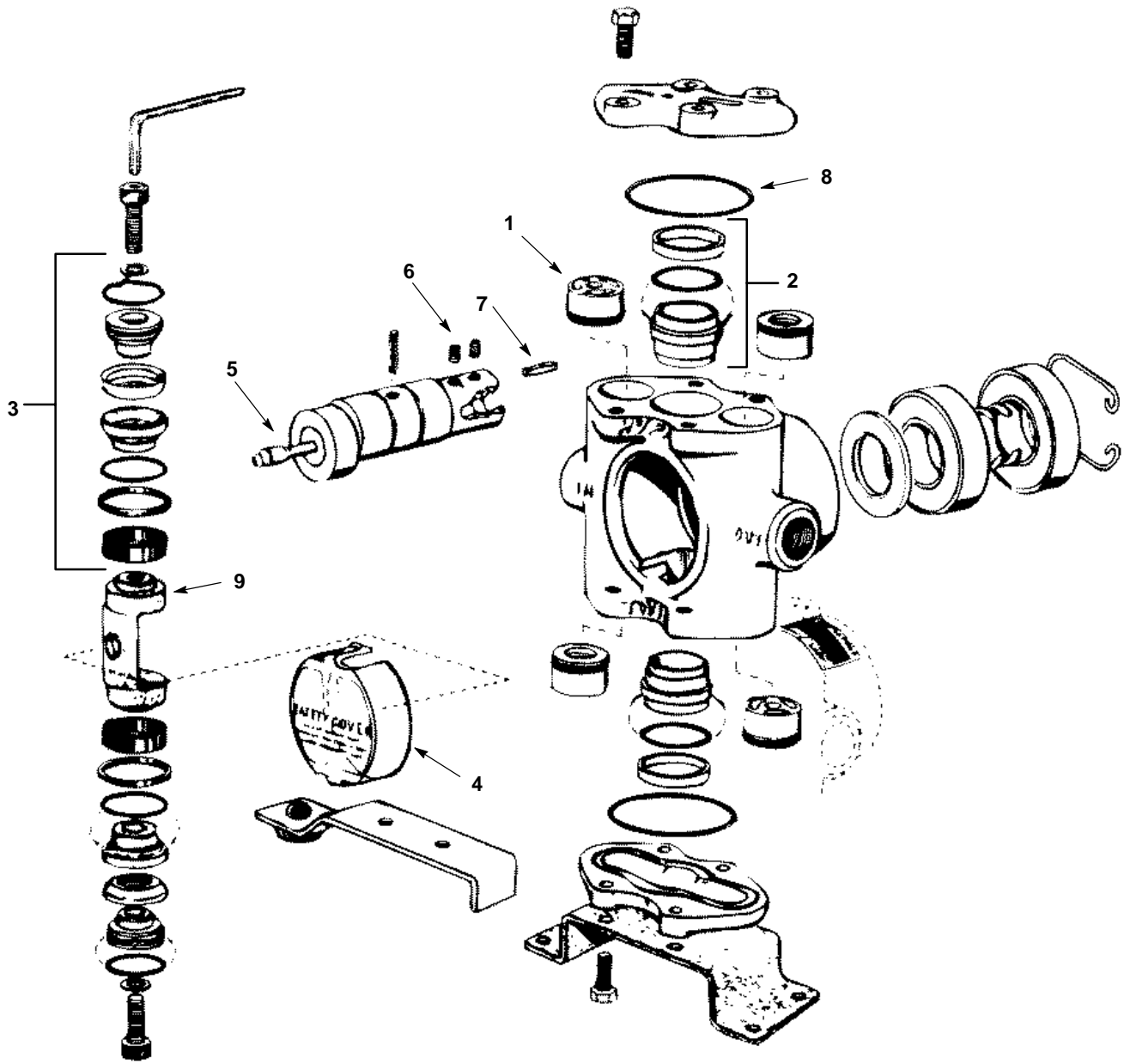
REF	PART #	DESCRIPTION	QTY.
28	140197	SCREW 10-24X3/8 TRSPHL	2
29	101288	COVER HEATER	1
30	6032.6	SCREW 8-32X3/8 PANPHL	4
31	130693	LIMIT, THERMOSTAT	1
∇32	180440	●HEATER, 1700W (120V) CMPLT	1
	180441	HEATER, 1700W (230V) COMPLETE	1
▲	102566	INSULATOR, HEATER	1
33	102568	STRAP, NYLON W/ ADHESIVE	1
34	130450	●MOTOR, PUMP DRIVE (120V)	1
	130453	MOTOR, PUMP DRIVE (230V)	1
35	190310	●PUMP, SHAFT KEY 5300 SERIES	1
36	150431	FITTING 1/2MX1/2H ELBOW 90	1
37	180100	●PUMP, TWIN PISTON	1
38	150405	FITTING 1/2MX1/2F ELB STRT90	1
39	150101	FITTING 1/2MX1/4F BUSHING	1
40	160140	●HOSE, PULSE 36"	1
41	700141	●HOSE BLEEDER SERIES 60	1
42	140058	WASHER .543X.875X.062 WAND	1
43	150933	●FITTING 1/4F QD PLUG SER60	1
44	606664	HEATER INLET TUBE W/NUT	1
45	606662	MANIFOLD, PRESSURE RELIEF	1
46	210211	VALVE, PRESSURE RELIEF	1
47	150525	FITTING 1/8MX1/4H BARB	1
48	606987	FITTING, 1/4"NPTM X 1/4"INV.FL	1
49	210043	●VALVE, BALL 3-WAY 1/4" BRASS	1
50	120198	DECAL, CLEAN - VALVE KNOB	1
51	120199	DECAL, PREHEAT - VALVE KNOB	1

∇ ASSEMBLY

▲ INCLUDED IN ASSEMBLY

● RECOMMENDED STOCK ITEMS

SOLUTION PUMP GROUP

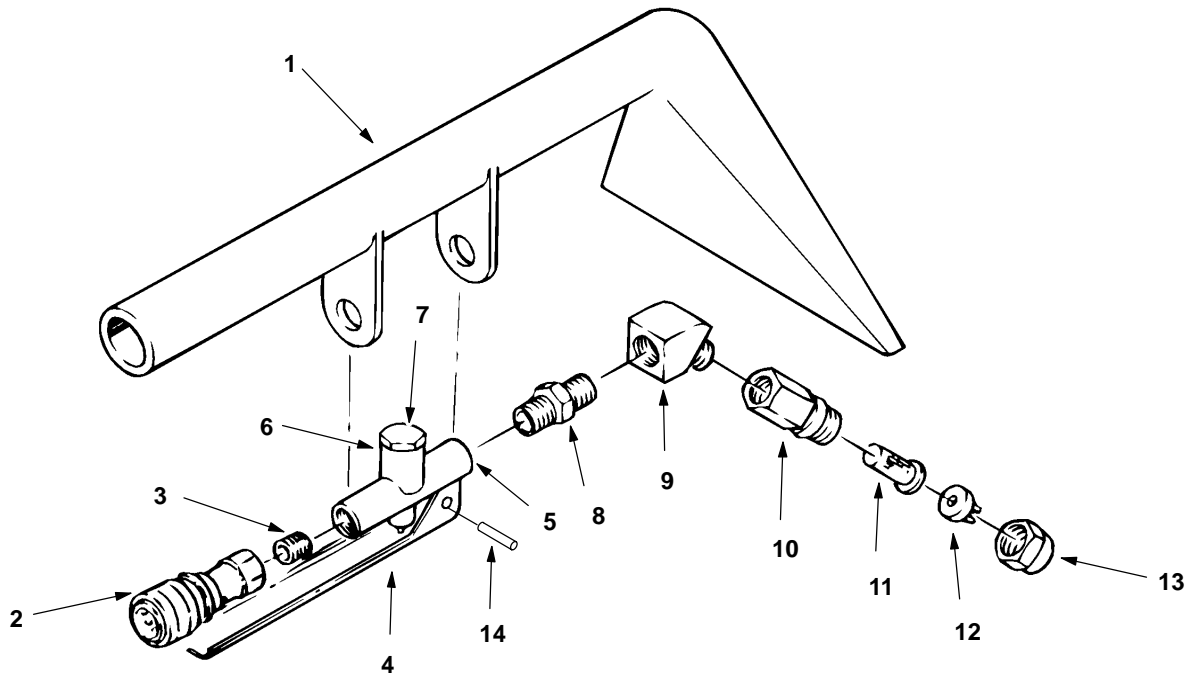


REF	PART #	DESCRIPTION	QTY.
	180100	PUMP, TWIN PISTON (COMPLETE)	1
1	190301	●VALVE KIT, SET OF 4	1
2	190302	●KIT, CYLINDER SLEEVE	1
3	190300	●CUP KIT, SET OF 2	1
4	190307	SAFETY COVER	1
5	190305	GREASE FITTING	1
6	190309	SET SCREWS, PUMP	2

REF	PART #	DESCRIPTION	QTY.
7	190310	●SHAFT KEY	1
8	190303	●KIT, O-RING (INCLUDES 2 O-RINGS)	1
9	190304	CONNECTING ROD	1
N/S	190316	●PULLER, VALVE SPRING RETAINER	1
N/S	190317	●PULLER, VALVE, POPPET SEAT	1
N/S	190022	●GUN, GREASE (METAL)	1

N/S= NOT SHOWN

127 mm (5 in) UPHOLSTERY TOOL ASSEMBLY



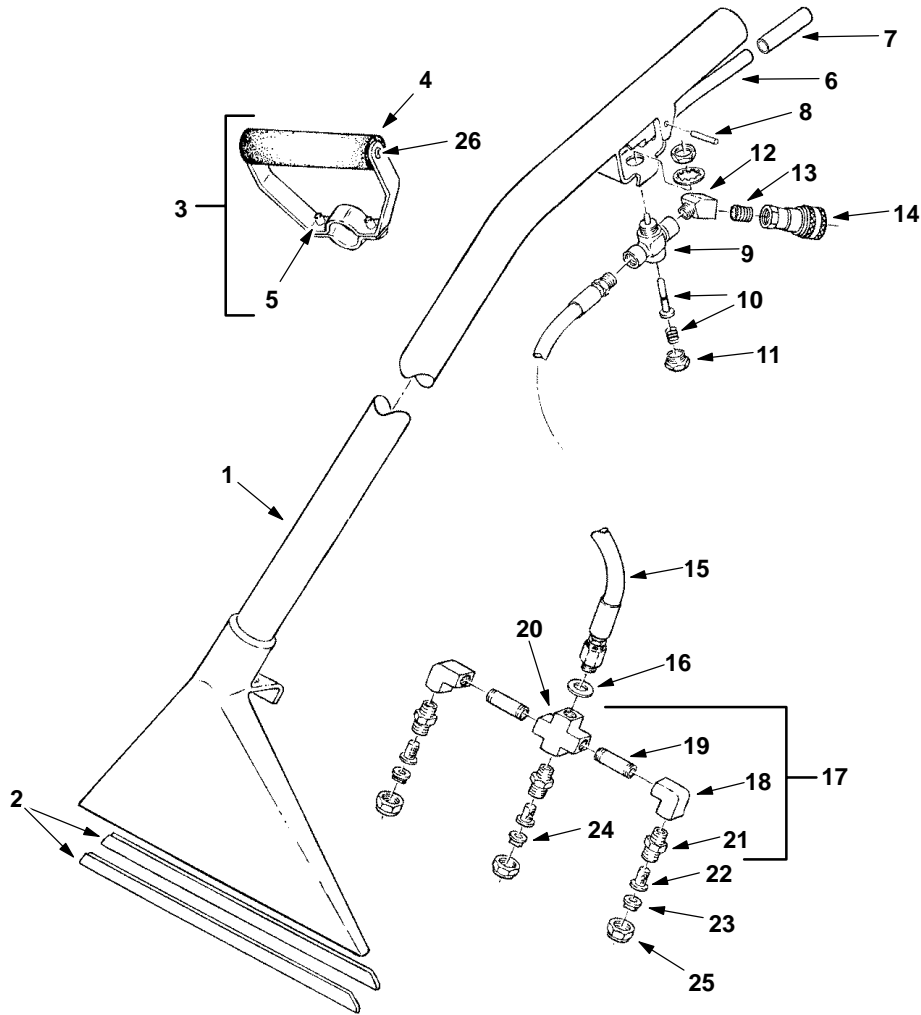
REF	PART #	DESCRIPTION	QTY.
	200505	TOOL, 5" HAND (COMPLETE)	1
1	200431.BK	TOOL, 5" HAND	1
2	150913	COUPLER, QUICK, SER. 60	1
3	150615	NIPPLE, CLOSE	1
4	200905	LEVER, K-VALVE W/PIN	1
5	210210	VALVE, FLOW CONTROL	1
6	190600	VALVE PIN & SPRING (NOT SHOWN)	1
7	210148	CAP, HEX, VALVE	1

REF	PART #	DESCRIPTION	QTY.
8	150606	NIPPLE, HEX 1/4"	1
9	150403	ELBOW, ST 1/4" 45°	1
10	200992	BODY, SPRAY 1/4"F	1
11	200996	SCREEN, SPRAY BODY	1
12	200965	TIP, BRASS #8002	1
13	200994	CAP, SPRAY BODY	1
14	140609	PIN, ROLL 3/16 X 9/16	1

N/S NOT SHOWN

# OPTIONAL ACCESSORIES

## HIGH PRESSURE FLOOR TOOL ASSEMBLY



REF	PART #	DESCRIPTION	QTY.
	600049	TOOL, 13" FLOOR (COMPLETE)	1
1	200403.BK	TOOL, 13" FLOOR	1
2	200939	SHOES, FLOOR TOOL	2
3	200927	GRIP, ADJUSTABLE COMPLETE	1
4	200912	FOAM, GRIP	1
5	140259	SCREW, 1/4 X 5/8	2
6	200902	TRIGGER, FLOOR TOOL	1
7	200809	SLEEVE, TRIGGER	1
8	140605	PIN	1
	140520	NUT, PUSH	2
9	210150	VALVE, FLOW CONTROL	1
10	190603	KIT, VALVE PIN & SPRING	1
11	N/A	CAP, HEX, VALVE	1
12	150403	ELBOW, 1/4-45°	1
13	150615	NIPPLE, CLOSE 1/4	1

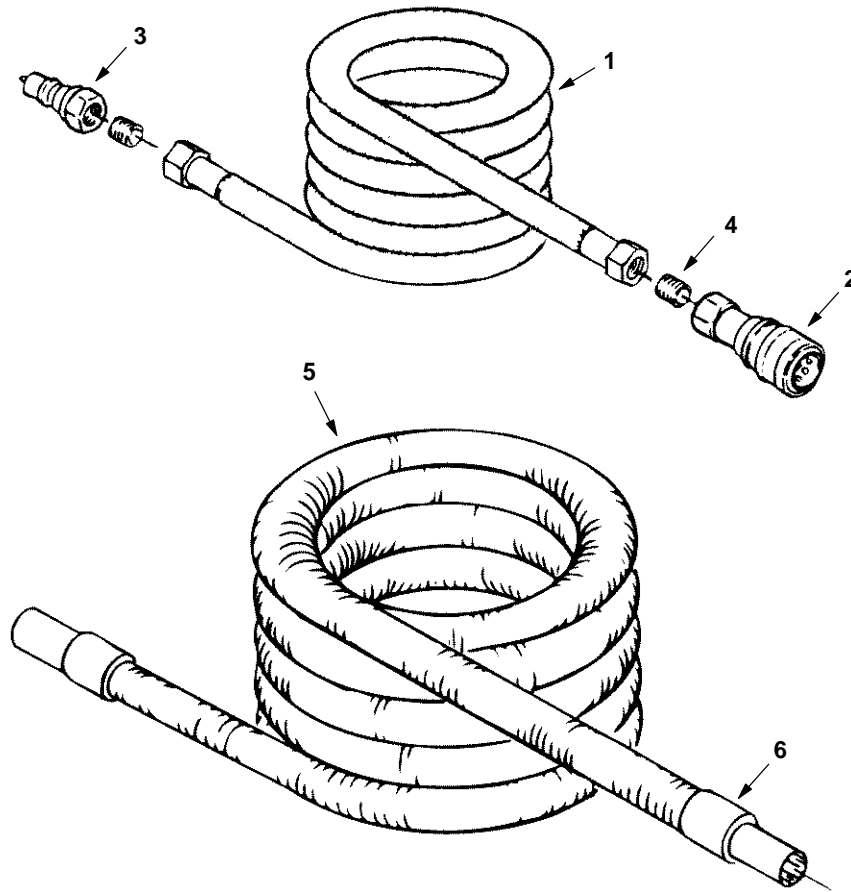
REF	PART #	DESCRIPTION	QTY.
14	150913	COUPLER, QUICK SER. 60	1
15	160175	HOSE, SOLUTION HP	1
16	140058	WASHER	1
▽17	700062	ASM., SPRAY BAR	1
▲18	150401	ELBOW, 90° 1/4F X 1/4F	2
▲19	150600	NIPPLE	2
▲20	150700	CROSS	1
▲21	200993	SPRAY BODY	3
22	200996	SCREEN, SPRAY BODY	3
23	200986	TIP, SPRAY (#9502)	2
24	200988	TIP, SPRAY (#11002)	1
25	200994	CAP, SPRAY BODY	3
26	140834	SCREW, 1/4-20 X 5/8	2
N/S	120845	DECAL, "HIGH PRESSURE"	1

▽ ASSEMBLY

▲ INCLUDED IN ASSEMBLY

N/S NOT SHOWN

SOLUTION AND VACUUM HOSES



REF	PART #	DESCRIPTION	QTY.
▽1	160191	SOLUTION HOSE 25'	1
▲2	150913	COUPLER, QUICK SER. 60	1
▲3	150933	PLUG, QUICK COUPLER	1
▲4	150615	NIPPLE	2
▽5	160401	HOSE, VACUUM W/ CUFFS 25'	1
▲6	160430	CUFF, HOSE 1-1/2"	2
N/S	160451	CONNECTOR, VAC HOSE 1-1/2"	1

▽ ASSEMBLY

▲ INCLUDED IN ASSEMBLY

N/S NOT SHOWN