

# Parts Catalog

## Admiral 48 D Rider Sweeper / Scrubber



## Table of Contents

Pre-sweep attachment ADMIRAL 48 D (97122519) .....	4
Covering (L.H.) (97122477-1) .....	30
Covering (R.H.) (97122477-2) .....	34
Bumper cpl. (97119663) .....	38
Frame (97118129) .....	40
Travel drive (97042329) .....	44
Rear wheel (97042311) .....	46
Steering (97042352) .....	52
Brush lifting part 1 (97115026-1) .....	54
Brush lifting part 2 (97115026-2) .....	56
Brush head part 1 (97115356-1) .....	58
Brush head part 2 (97115356-2) .....	60
Brush head part3 (97115356-3) .....	62
Wiper part 1 (97115513-1) .....	64
Wiper part 2 (97115513-2) .....	66
Seat group (97103477) .....	68
Water circulation (97115448) .....	70
Automatic load (97075220) .....	74
Flap (Hopper) (97042535) .....	76
Suction unit (97075337) .....	78
Lifting assy for suction (97042345) .....	82
Squeegee (97042360) .....	86
Labels (97120240) .....	88

This manual covers all standard Admiral 48 D models:

**Model No.: ADM48DSS, ADM48DSSQPG, ADM48DSSQPIW, ADM48DSSQPT**

The machine will provide excellent service. However, the best results will be obtained if:

- The machine is operated with reasonable care.
- The machine is maintained regularly per the maintenance schedule in the instruction manual provided.
- The machine is maintained with PowerBoss OEM supplied or equivalent parts.

All right side and left side references to the machine are determined by facing the direction of forward travel. Parts may be ordered by phone or mail from any PowerBoss parts and service center. Before ordering parts or supplies be sure to have your machine model number and serial number handy.

Fill out the data block below for future reference.

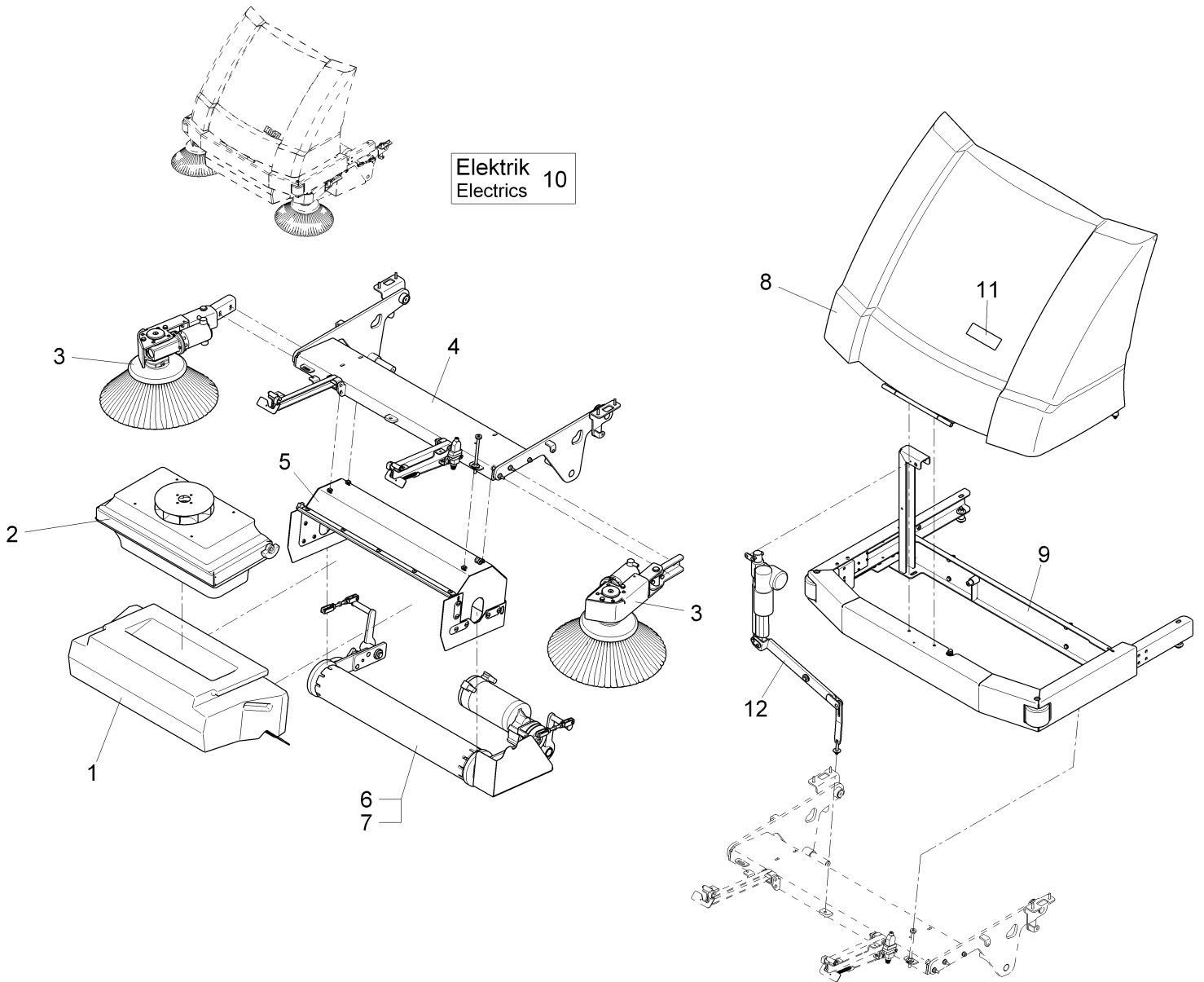
MACHINE DATA Fill Out At Installation	
Model:	Admiral 48 D
Serial Number:	_____
Sales Rep or Dealer	_____
Date of Install:	_____
Manual p/n:	

All information contained in this manual is current at the time of printing However, PowerBoss Reserves the right to make changes at any time without notice.

© 2013, Powerboss, Inc., Printed in USA

All rights reserved. This manual may not be copied or reproduced in any form, without the written permission of PowerBoss, Inc.

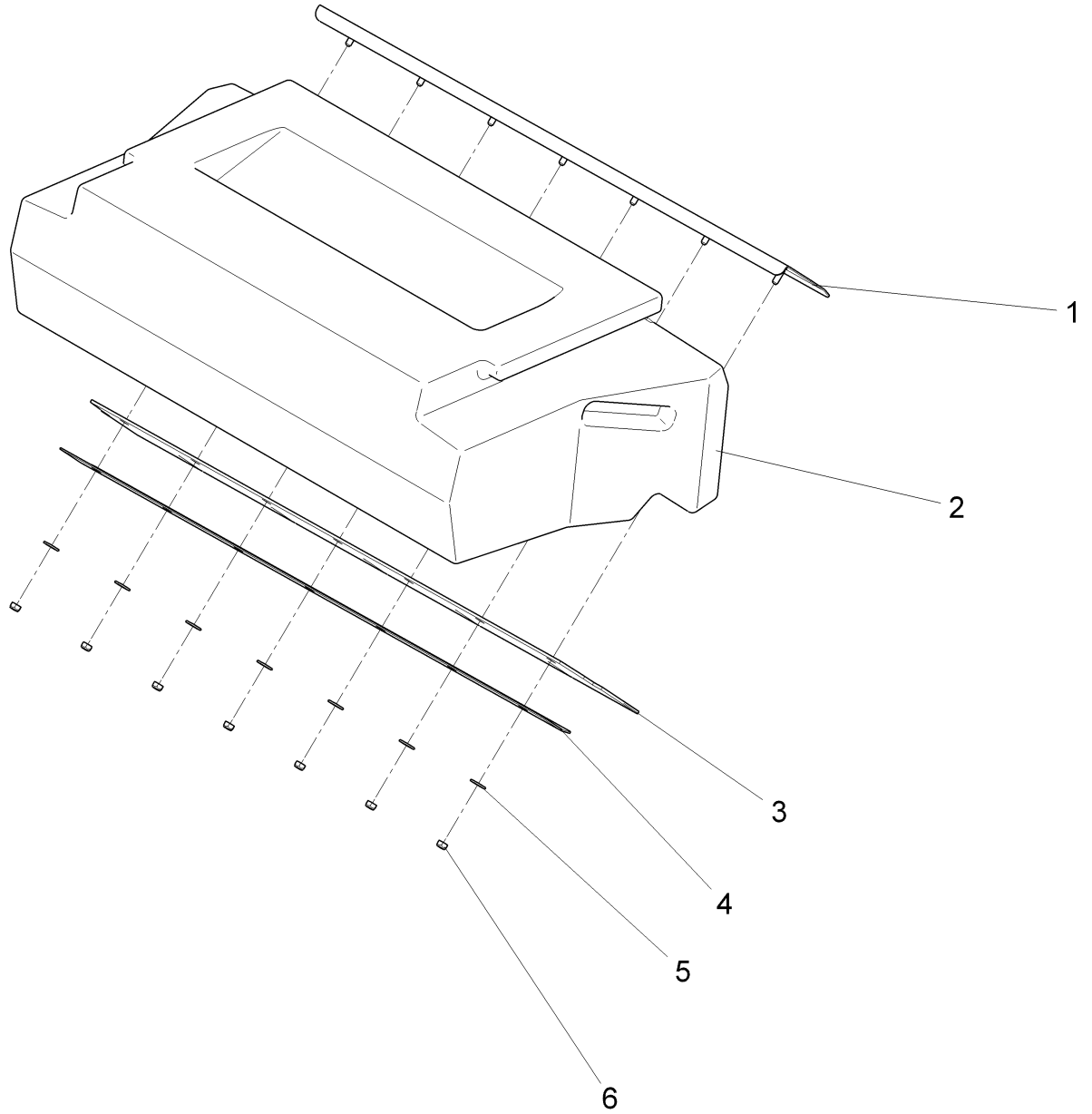
Pre-sweep attachment ADMIRAL 48 D (97122519)



**Pre-sweep attachment ADMIRAL 48 D (97122519)**

Item	Part number	Description	Qty.	Unit	Remarks
1	97043137	Litter hopper	Page	6	
2	97043186	Filter installation - Vibrator system	Page	8	
3	97071187-97071195	Side brush installation (L.H. and R.H.)	Page	12	
4	97043095	Frame cpl.	Page	14	
5	97043145	Broom tunnel	Page	16	
6	97120133-1	Sweeper roller with drive, part 1	Page	18	
7	97120133-2	Sweeper roller with drive, part 2	Page	20	
8	97122493	Covering cpl.	Page	22	
9	97119622	Base frame	Page	24	
10	97049092	Electric Pre-sweep-attachment	Page	26	
11	03008020	Decal POWER BOSS	1	PC	
12	97043129	Lifting cpl.	Page	28	

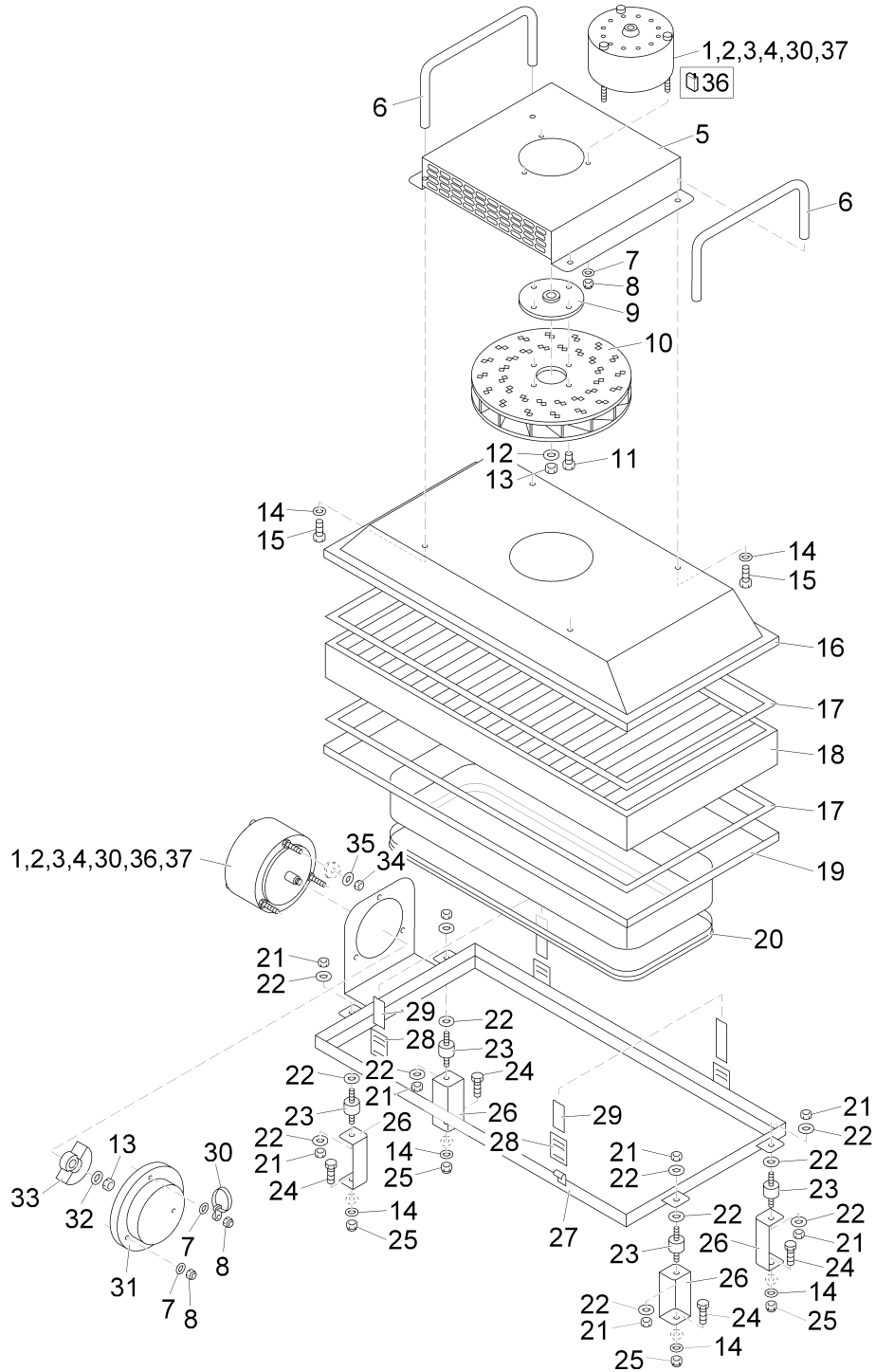
Litter hopper (97043137)



**Litter hopper (97043137)**

Item	Part number	Description	Qty.	Unit	Remarks
1	00246250	Angle	1	PC	
2	00035270	Litter hopper	1	PC	
3	00981020	Sealing strip	1	PC	
4	00246260	Angle	1	PC	
5	00135120	Washer	7	PC	
6	00051520	Hex. Nut	7	PC	

**Filter installation - Vibrator system (97043186)**

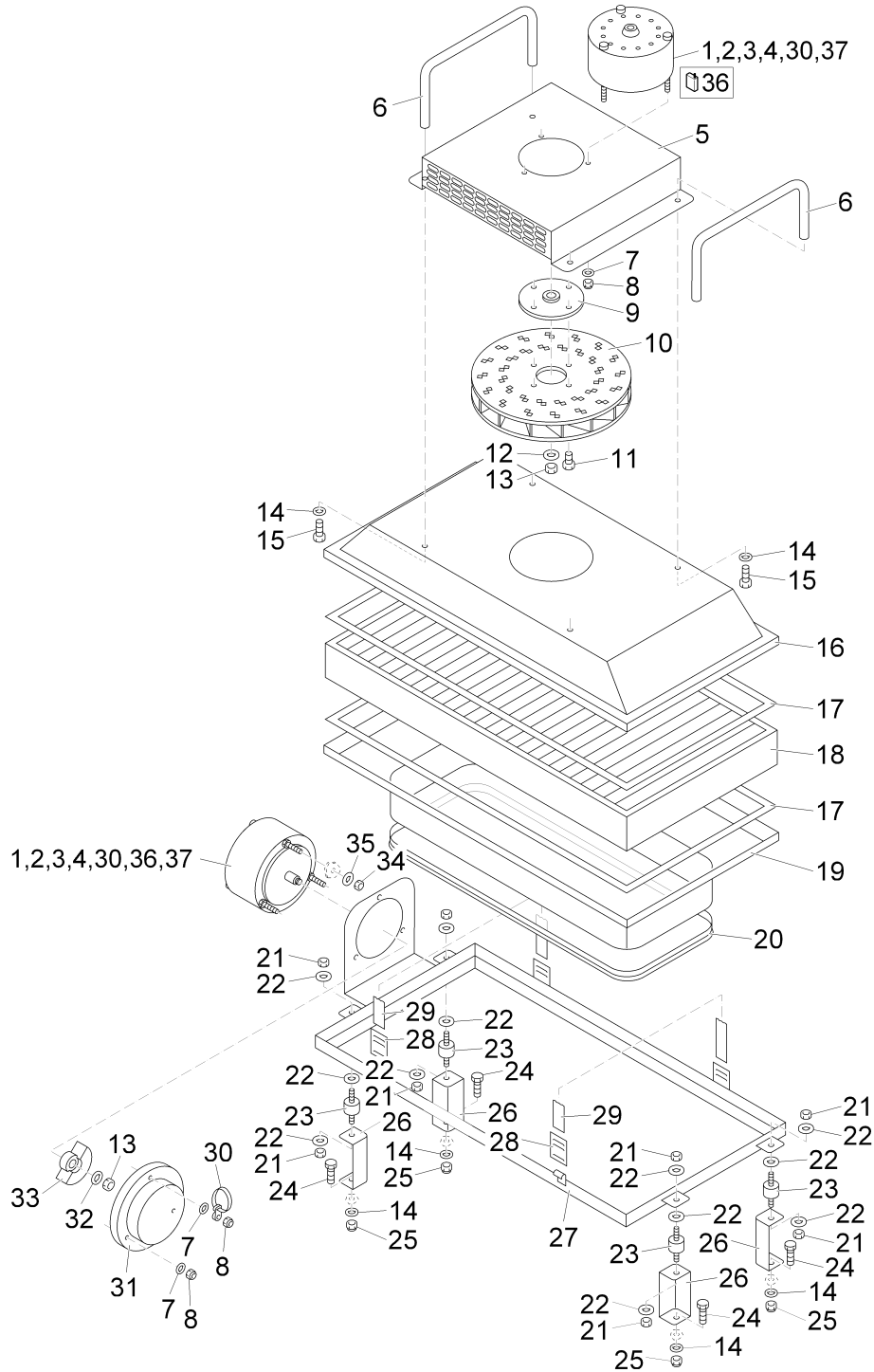




**Filter installation - Vibrator system (97043186)**

Item	Part number	Description	Qty.	Unit	Remarks
1	00512370	E-motor	2	PC	
2	00746530	Ring	2	PC	
3	00903190	Tab	4	PC	
4	00903180	Male-housing	2	PC	
5	00981080	Hood	1	PC	
6	00102700	Grasp handle	2	PC	
7	00053720	Washer	6	PC	
8	00051340	Hex. Nut	6	PC	
9	00927460	Flange	1	PC	
10	00661680	Fan wheel	1	PC	
11	00025260	Hexagon screw	4	PC	
12	00042900	Washer	1	PC	
13	00747350	Hex. Nut	2	PC	
14	00053730	Washer	12	PC	
15	00053010	Hex.bolt	4	PC	
16	00980980	Filter hood	1	PC	
17	00748620	Gasket Tesamoll	3,400	M	
18	00251060	Plate filter	1	PC	
19	00981000	Filter box	1	PC	
20	01052820	Edge protection	1,360	M	
21	00053350	Hex. Nut	16	PC	
22	00135120	Washer	12	PC	
23	00874470	Buffer	4	PC	
24	00053020	Hexagon screw	4	PC	
25	00051520	Hex. Nut	4	PC	
26	00102710	Angle	4	PC	
27	00980960	Support	1	PC	
28	00109580	Bracket	2	PC	
29	00059890	Tightening strap	2	PC	
30	01074880	Cable tie	2	PC	
31	00704290	Cover	1	PC	
32	00053750	Washer	1	PC	
33	00704270	Vibration trade	1	PC	
34	00053320	Hex. Nut	6	PC	
35	00555520	Washer	3	PC	
36	00928630	Carbon brush	2	PC	

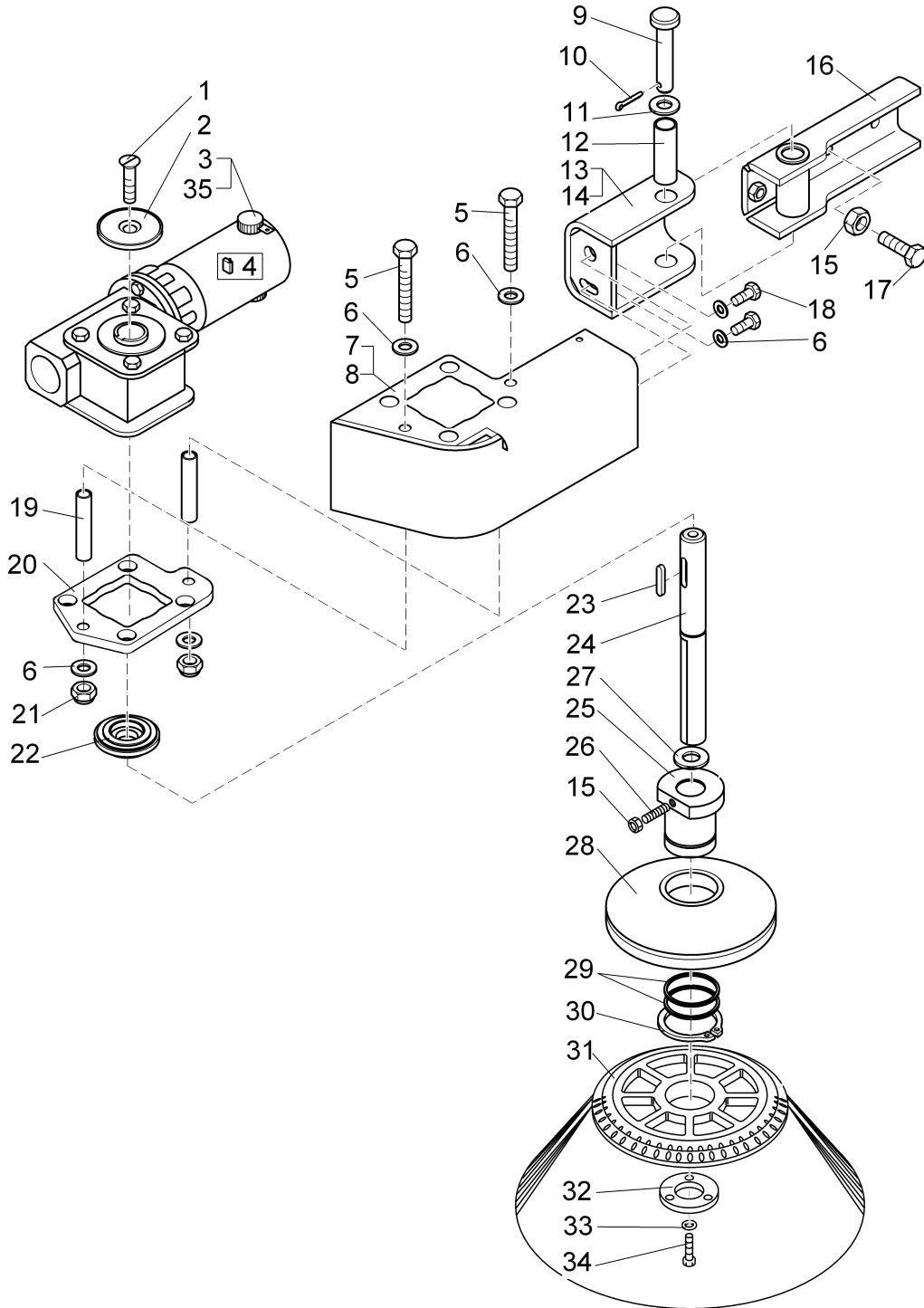
**Filter installation - Vibrator system (97043186)**



**Filter installation - Vibrator system (97043186)**

Item	Part number	Description	Qty.	Unit	Remarks
37	00903500	High load wirewound resistor	1	PC	

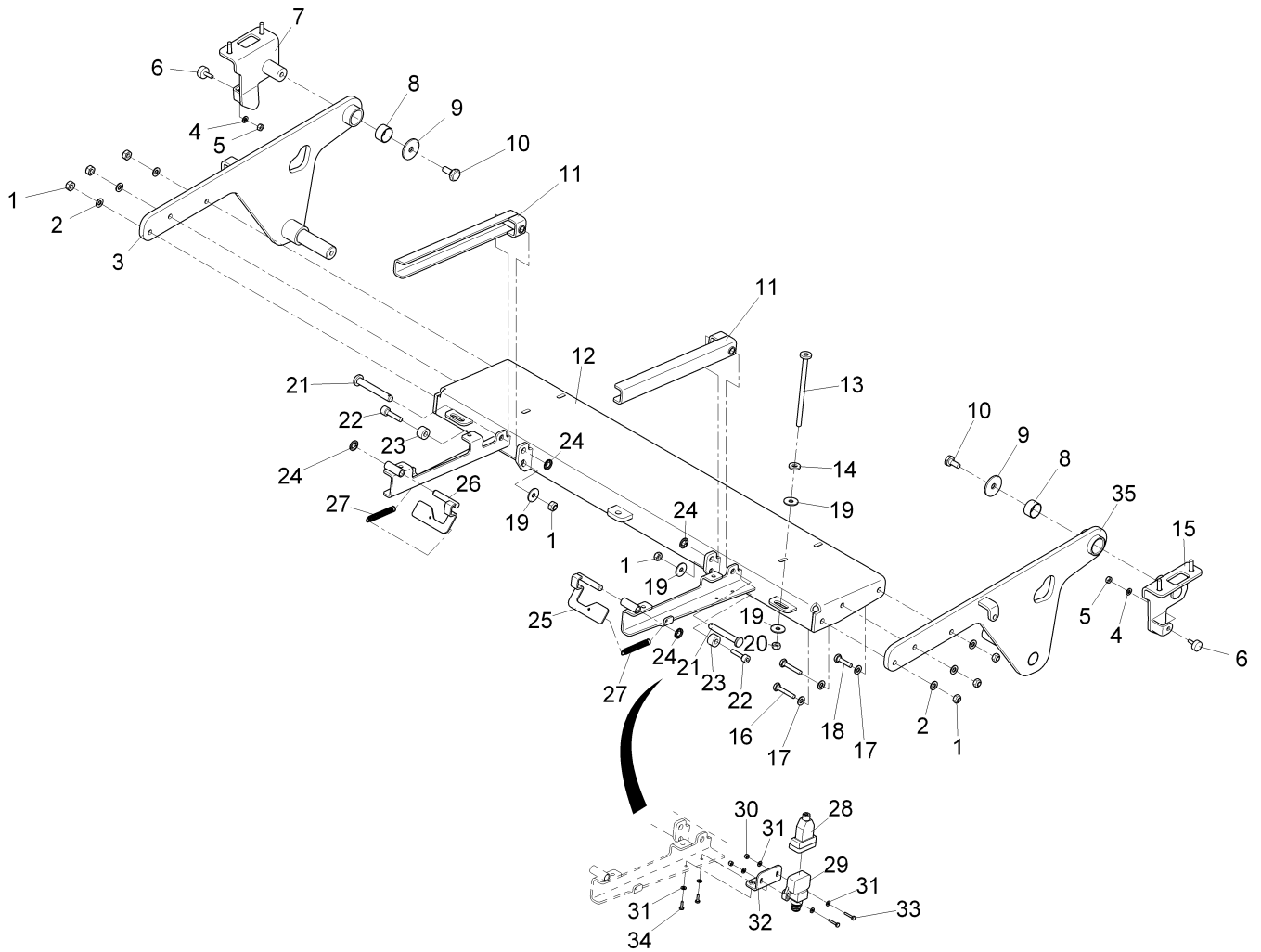
Side brush installation (L.H. and R.H.) (97071187-97071195)



**Side brush installation (L.H. and R.H.) (97071187-97071195)**

Item	Part number	Description	Qty.	Unit	Remarks
1	00136350	Countersunk screw	1	PC	
2	01057430	Dust cover	1	PC	
3	01057330	Engine with gear unit	1	PC	
4	01057320	Carbon brush	1	SET	
5	00746390	Hex.bolt	2	PC	
6	00053750	Washer	6	PC	
7	01057490	Support L.H.	1	PC	
8	01057460	Support R.H.	1	PC	
9	00879630	Bolt	1	PC	
10	00553580	Cotter pin	1	PC	
11	00053770	Washer	2	PC	
12	00077900	DU-Drying socket	2	PC	
13	01057470	Support R.H.	1	PC	
14	01057480	Support L.H.	1	PC	
15	00053350	Hex. Nut	2	PC	
16	01057450	Support	1	PC	
17	00053110	Hexagon screw	2	PC	
18	01201790	Hex.bolt	4	PC	
19	01057440	Spacer piece	2	PC	
20	01057400	Plate	1	PC	
21	00051510	Hex. Nut	2	PC	
22	01057420	Cover	1	PC	
23	00153010	Feather key	1	PC	
24	01057410	Shaft	1	PC	
25	00109290	Broom hub	1	PC	
26	00109310	Threaded pin	1	PC	
27	00054310	Retaining ring	1	PC	
28	00563260	Rejecting plate	1	PC	
29	00105330	Adjusting washer	2	PC	
30	00137910	Retaining ring	1	PC	
31	99634800	Spare side broom	1	PC	
32	00131020	Pressure plate	1	PC	
33	00053400	Lock washer	3	PC	
34	00154070	Hex.bolt	3	PC	
35	01070710	Isolating cap	1	PC	

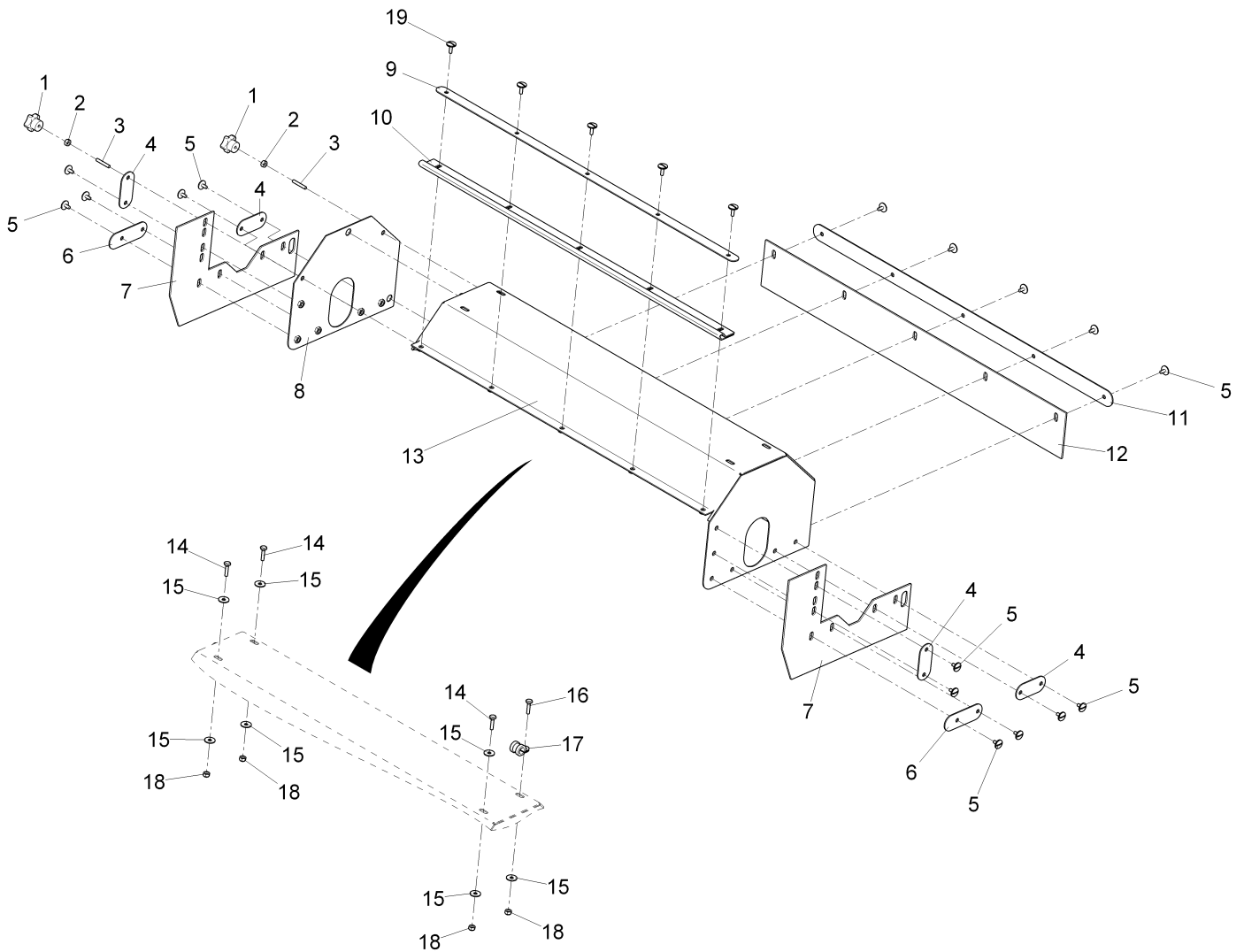
Frame cpl. (97043095)



**Frame cpl. (97043095)**

Item	Part number	Description	Qty.	Unit	Remarks
1	00051510	Hex. Nut	2	PC	
2	00740090	Detent edged washer	8	PC	
3	01054510	Plate R.H.	1	PC	
4	00053730	Washer	2	PC	
5	00053330	Hex. Nut	2	PC	
6	00127470	Buffer	2	PC	
7	00976390	Angle R.H.	1	PC	
8	00107200	DU-Drying socket	2	PC	
9	01177570	Washer	2	PC	
10	00021130	Hex.bolt	2	PC	
11	00976400	U-profil	2	PC	
12	01056120	Angle	1	PC	
13	00102230	Threaded rod	2	PC	
14	00102250	Seal	2	PC	
15	00976410	Angle L.H.	1	PC	
16	00133700	Hexagon screw	4	PC	
17	00053750	Washer	4	PC	
18	00053110	Hexagon screw	2	PC	
19	00042900	Washer	8	PC	
20	00053350	Hex. Nut	4	PC	
21	00102280	Bolt	2	PC	
22	00071450	Socket head screw	2	PC	
23	00102260	Bushing	2	PC	
24	00852380	Thrust washer	4	PC	
25	00101890	Angle L.H.	1	PC	
26	00102220	Angle R.H.	1	PC	
27	00045070	Tension spring	2	PC	
28	00927630	Cap	1	PC	
29	00927610	Switch	1	PC	
30	00133830	Hex. Nut	2	PC	
31	00053710	Washer	6	PC	
32	00102240	Angle	1	PC	
33	00108490	Hex.bolt	2	PC	
34	00023080	Hex.bolt	2	PC	
35	01054520	Plate L.H.	1	PC	

**Broom tunnel (97043145)**

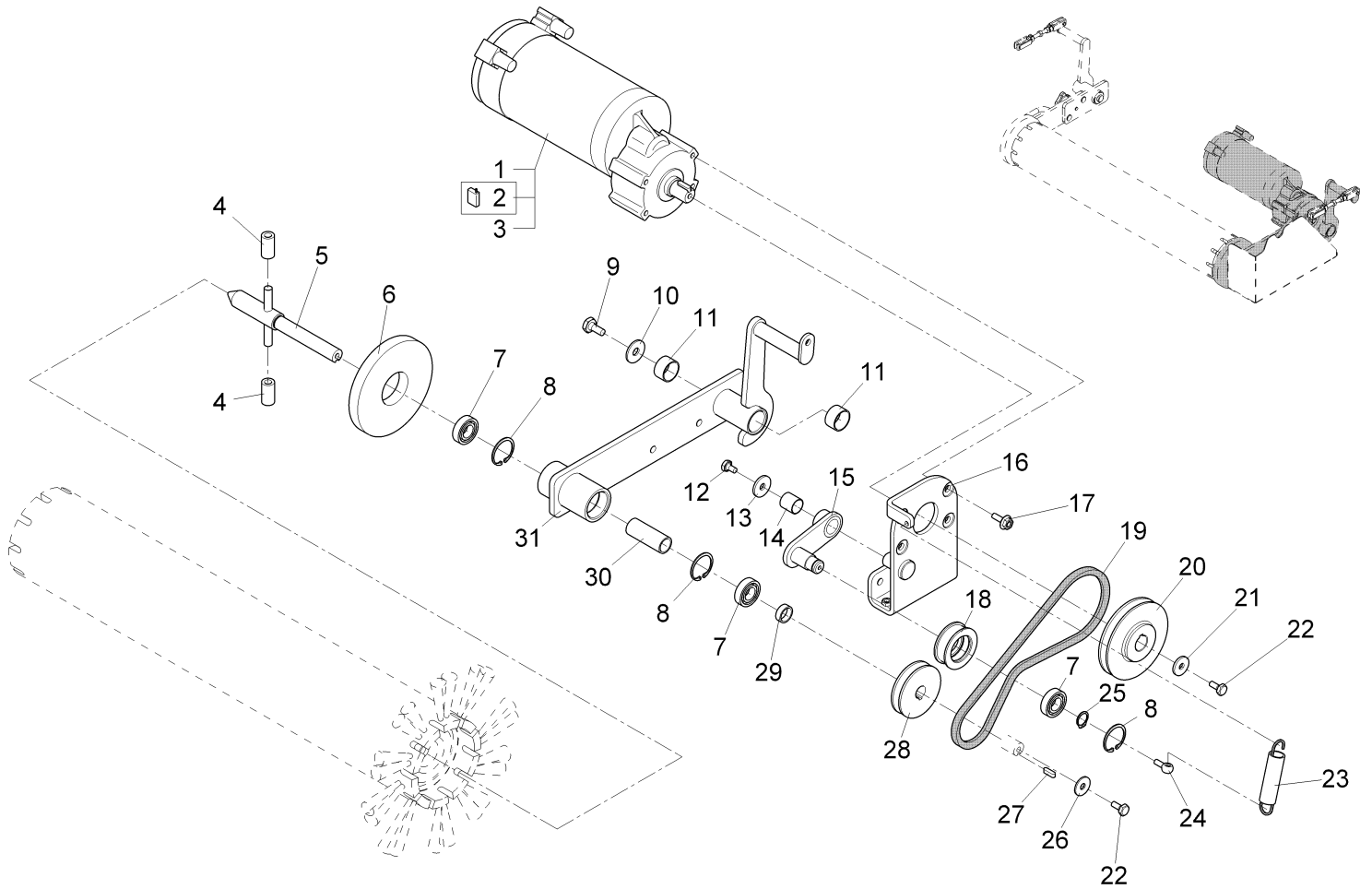




**Broom tunnel (97043145)**

Item	Part number	Description	Qty.	Unit	Remarks
1	00853730	Star handle	2	PC	
2	00053330	Hex. Nut	2	PC	
3	00102530	Threaded bolt	2	PC	
4	00102460	Plate	4	PC	
5	00102490	Screw	16	PC	
6	00102480	Plate	2	PC	
7	00981040	Sealing strip	2	PC	
8	00981050	Plate	1	PC	
9	00246280	Prop	1	PC	
10	00981090	Sealing strip	1	PC	
11	00246270	Prop	1	PC	
12	00981070	Sealing strip	1	PC	
13	00035280	Broom tunnel	1	PC	
14	00053020	Hexagon screw	3	PC	
15	00135120	Washer	7	PC	
16	00154070	Hex.bolt	1	PC	
17	00130250	Pipe clamp	1	PC	
18	00051520	Hex. Nut	4	PC	
19	00102520	Screw	5	PC	

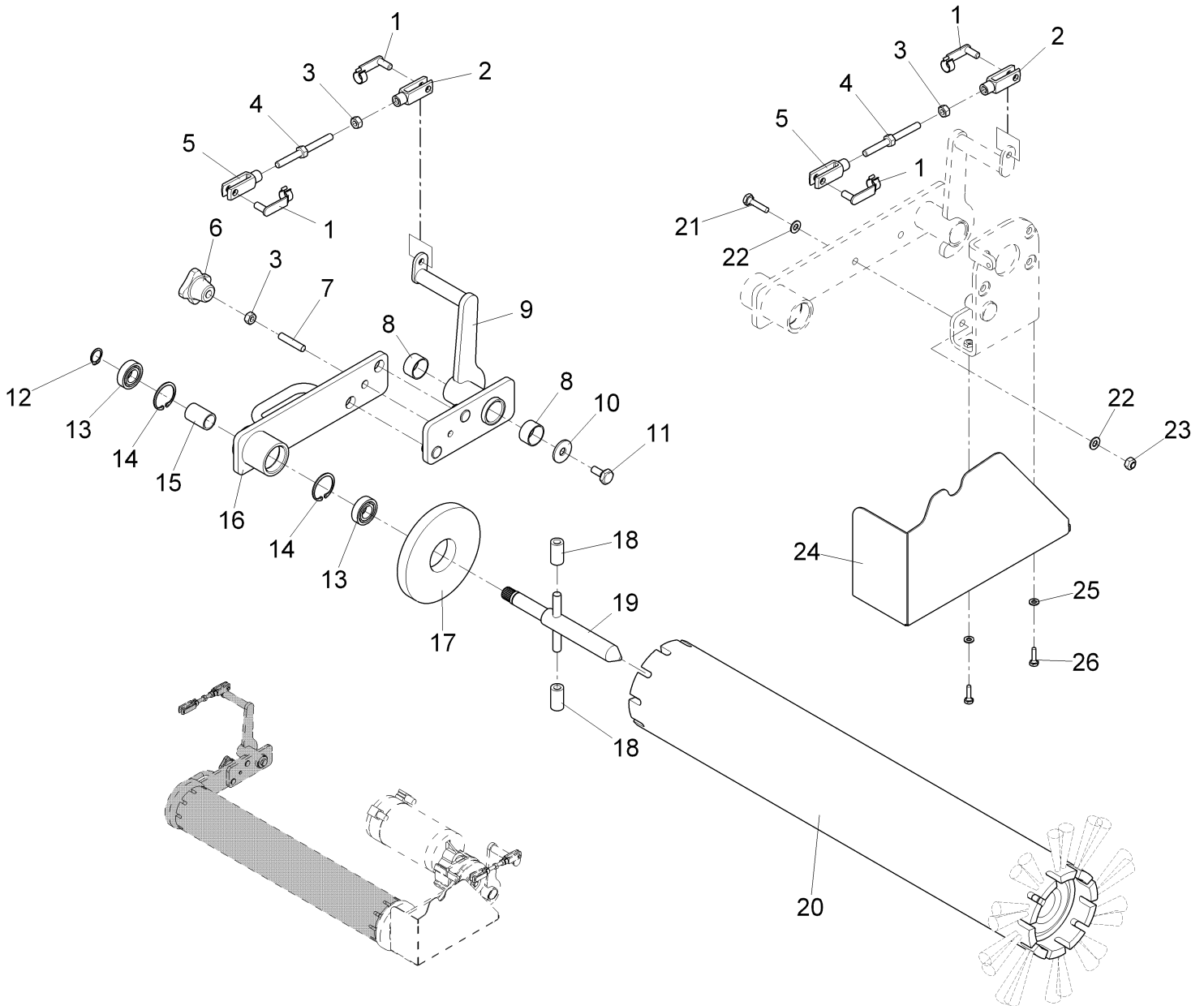
Sweeper roller with drive, part 1 (97120133-1)



**Sweeper roller with drive, part 1 (97120133-1)**

Item	Part number	Description	Qty.	Unit	Remarks
1	00911390	Geared motor	1	PC	
2	00553060	Set (4pc.) carbon brush	1	PC	
3	00008110	Cable set	1	PC	
4	00521880	Hose	4	PC	
5	00102550	Bolt	1	PC	
6	00102630	Sealing washer	1	PC	
7	00106300	Deep groove ball bearing	3	PC	
8	00101660	Retaining ring	3	PC	
9	00021130	Hex.bolt	1	PC	
10	00046520	Washer	1	PC	
11	00107200	DU-Drying socket	4	PC	
12	00151810	Hexagon screw	1	PC	
13	00027070	Washer	1	PC	
14	00102650	DU-Drying socket	1	PC	
15	00102540	Plate	1	PC	
16	00102560	Support	1	PC	
17	00959310	Hex.bolt	4	PC	
18	00043990	Idler pulley	1	PC	
19	00980020	Narrow drive belt	1	PC	
20	00071130	V-belt pulley	1	PC	
21	00538850	Washer	1	PC	
22	00053080	Hexagon screw	2	PC	
23	00702150	Tension spring	1	PC	
24	01111020	Eye bolt	1	PC	
25	00022230	Retaining ring	1	PC	
26	00042900	Washer	1	PC	
27	00022430	Feather key	1	PC	
28	00043980	Belt pulley	1	PC	
29	00102610	Bushing	1	PC	
30	00102590	Pipe	1	PC	
31	00980970	Plate L.H.	1	PC	

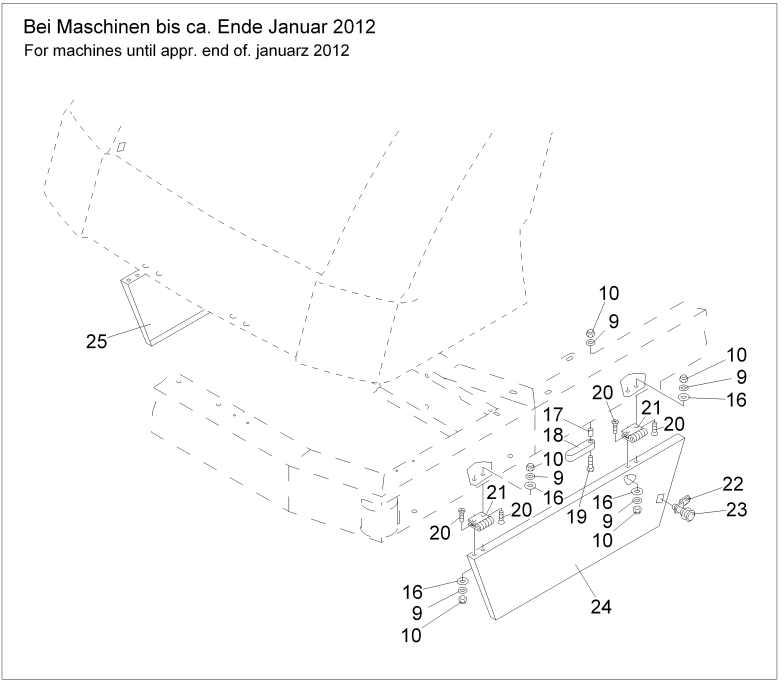
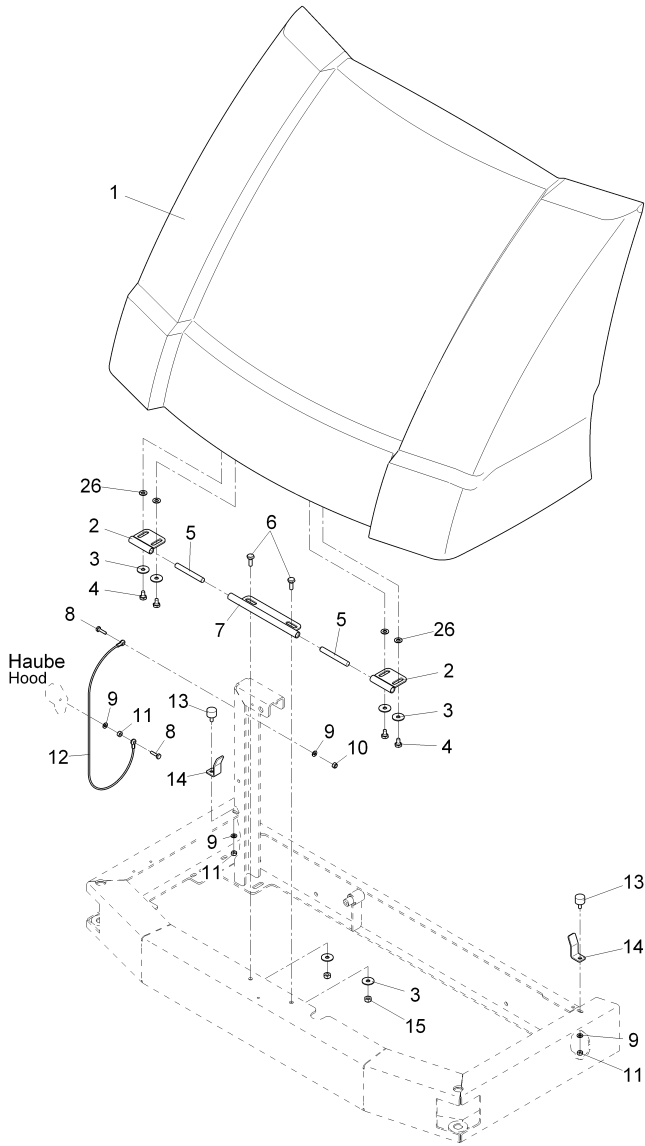
Sweeper roller with drive, part 2 (97120133-2)



**Sweeper roller with drive, part 2 (97120133-2)**

Item	Part number	Description	Qty.	Unit	Remarks
1	00706030	Bolt	4	PC	
2	00027110	Fork yoke	2	PC	
3	00560070	Hex. Nut	3	PC	
4	00102580	Threaded rod	2	PC	
5	00022320	Fork yoke	2	PC	
6	00866720	Star handle	1	PC	
7	00102640	Threaded bolt	1	PC	
8	00107200	DU-Drying socket	2	PC	
9	00980990	Plate R.H.	1	PC	
10	00046520	Washer	1	PC	
11	00021130	Hex.bolt	2	PC	
12	00022230	Retaining ring	1	PC	
13	00106300	Deep groove ball bearing	2	PC	
14	00101660	Retaining ring	2	PC	
15	00102620	Spacer piece	1	PC	
16	00976450	Plate R.H.	1	PC	
17	00102630	Sealing washer	2	PC	
18	00521880	Hose	2	PC	
19	00102570	Bolt	1	PC	
20	01274620	Sweeper roller	1	PC	
21	00053110	Hexagon screw	2	PC	
22	00053750	Washer	4	PC	
23	00051510	Hex. Nut	2	PC	
24	01274690	Belt guard	1	PC	
25	00053730	Washer	2	PC	
26	00053020	Hexagon screw	2	PC	

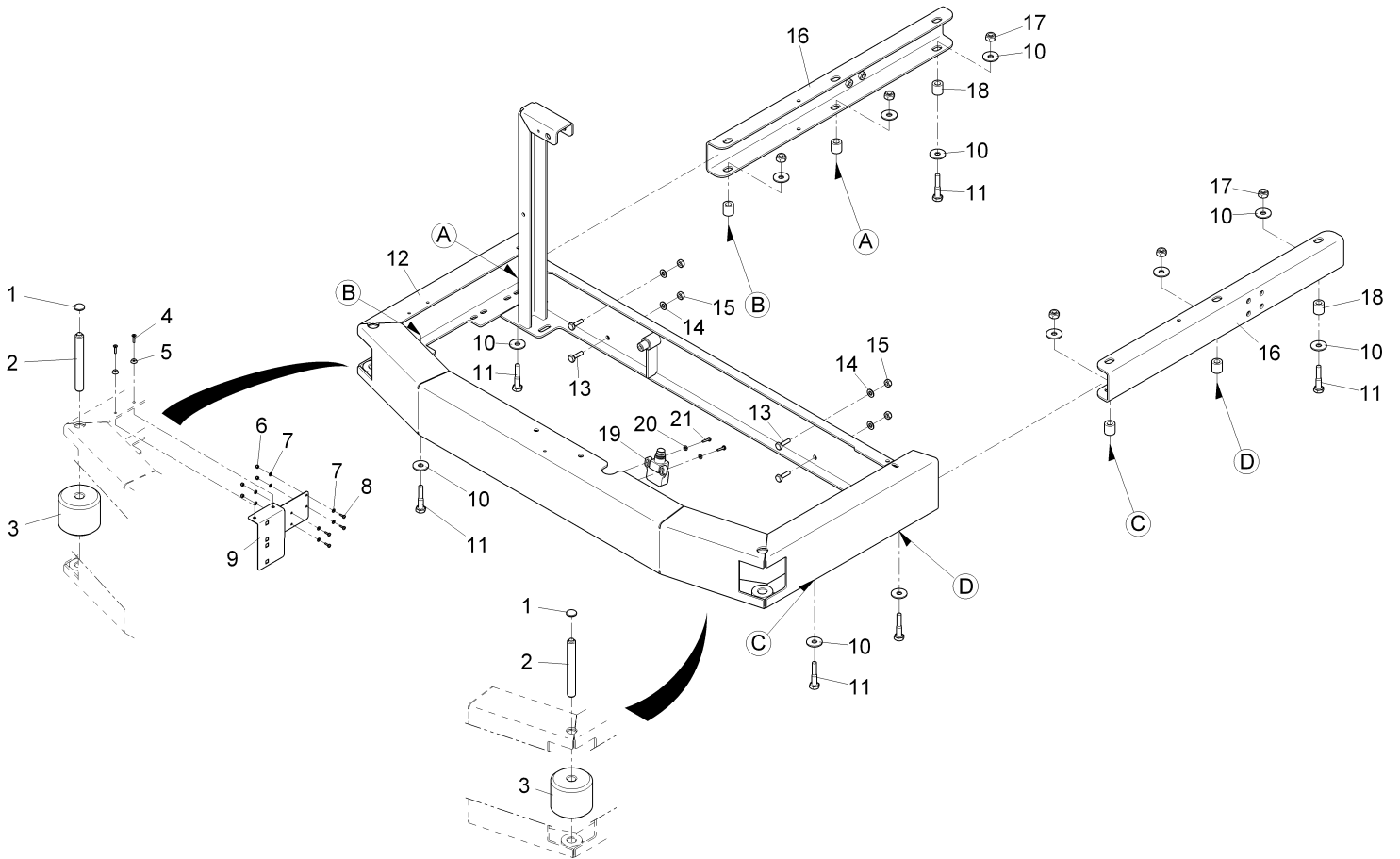
**Covering cpl. (97122493)**



**Covering cpl. (97122493)**

Item	Part number	Description	Qty.	Unit	Remarks
1	00035090	Hood	1	PC	
2	00102350	Pipe	2	PC	
3	00042900	Washer	6	PC	
4	00151810	Hexagon screw	4	PC	
5	00102390	Cylinder pin	2	PC	
6	00053090	Hexagon screw	2	PC	
7	00102340	Pipe	1	PC	
8	00053020	Hexagon screw	2	PC	
9	00053730	Washer	13	PC	
10	00051520	Hex. Nut	10	PC	
11	00053330	Hex. Nut	3	PC	
12	00102360	Rope	1	PC	
13	00854090	Stop buffer	2	PC	
14	01274700	Angle	2	PC	
15	00051510	Hex. Nut	2	PC	
16	00135120	Washer	8	PC	
17	00102380	Bushing	2	PC	
18	00102370	Plate	2	PC	
19	00053040	Hex.bolt	2	PC	
20	00021310	Countersunk screw	8	PC	
21	00522530	Hinge	4	PC	
22	00975120	Bolt lock	2	PC	
23	00975170	Key	1	PC	
24	01057500	Flap L.H.	1	PC	
25	01057510	Flap R.H.	1	PC	
26	00053750	Washer	4	PC	

**Base frame (97119622)**

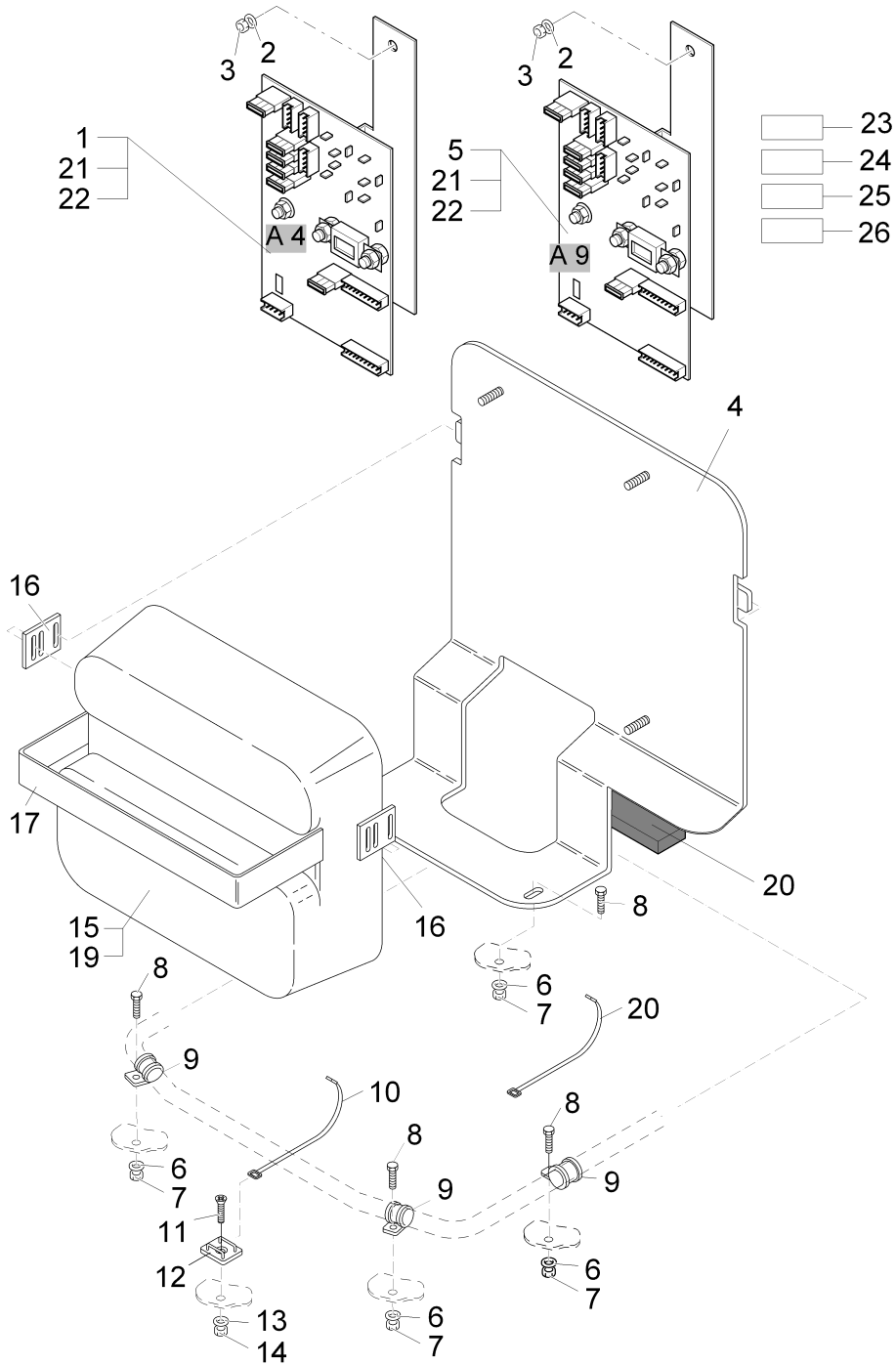




**Base frame (97119622)**

Item	Part number	Description	Qty.	Unit	Remarks
1	00862520	Thrust washer	2	PC	
2	01274710	Bolt	2	PC	
3	00975150	Roller	2	PC	
4	00051890	Countersunk screw	2	PC	
5	01274720	Annular plate	2	PC	
6	00022200	Hex. Nut	4	PC	
7	00553740	Washer	8	PC	
8	00535780	Fillister-head screw	4	PC	
9	00976420	Angle	1	PC	
10	00046520	Washer	12	PC	
11	00133450	Hex.bolt	6	PC	
12	00035260	Frame	1	PC	
13	00053100	Hexagon screw	4	PC	
14	00053750	Washer	8	PC	
15	00051510	Hex. Nut	4	PC	
16	00981010	Longitudinal support	2	PC	
17	00051500	Hex. Nut	6	PC	
18	00102330	Spacer piece	6	PC	
19	00927610	Switch	1	PC	
20	00053710	Washer	2	PC	
21	00523520	Hex.bolt	2	PC	

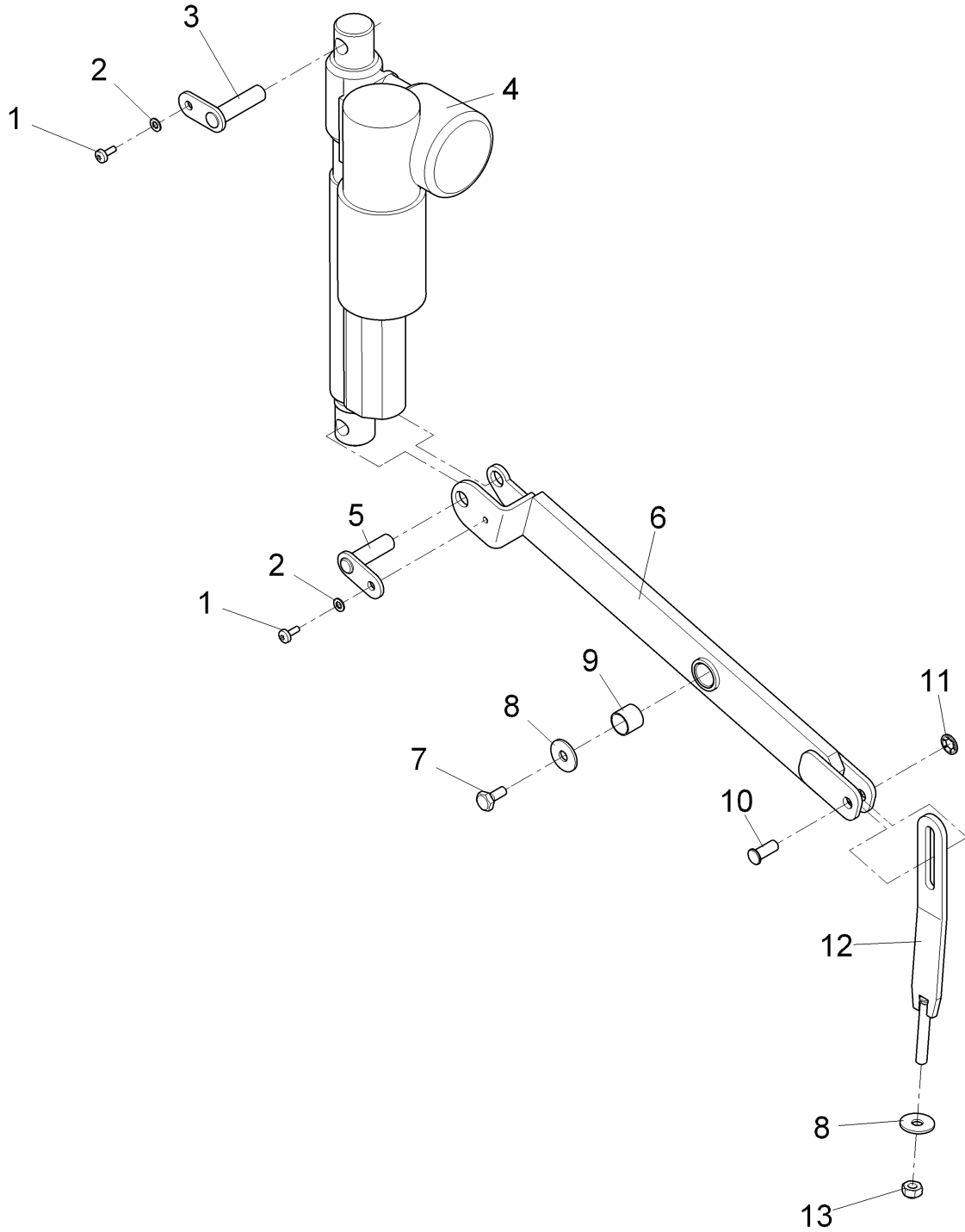
**Electric Pre-sweep-attachment (97049092)**



**Electric Pre-sweep-attachment (97049092)**

Item	Part number	Description	Qty.	Unit	Remarks
1	00512460	Module	1	PC	
2	00042900	Washer	2	PC	
3	00051510	Hex. Nut	2	PC	
4	00722230	Console	1	PC	
5	00512460	Module	1	PC	
6	00053730	Washer	3	PC	
7	00051520	Hex. Nut	3	PC	
8	00053020	Hexagon screw	3	PC	
9	00130250	Pipe clamp	3	PC	
10	00967760	Cable tie	4	PC	
11	00731550	Fillister-head screw	1	PC	
12	00780710	Socket	1	PC	
13	00023710	Shim	1	PC	
14	00133830	Hex. Nut	1	PC	
15	00831900	Hood	1	PC	
16	00109580	Bracket	4	PC	
17	01177110	Tension band	2	PC	
19	00752350	Edge protection	1	M	
20	00121150	Cable tie	20	PC	
21	00874970	Fuse	3	PC	
22	00874960	Fuse	2	PC	
23	03010270	Wiring harness W17	1	PC	
24	03010280	Cable loom KS 02	1	PC	
25	03010290	Wiring harness W25	1	PC	
26	03010300	Wiring harness W20	1	PC	

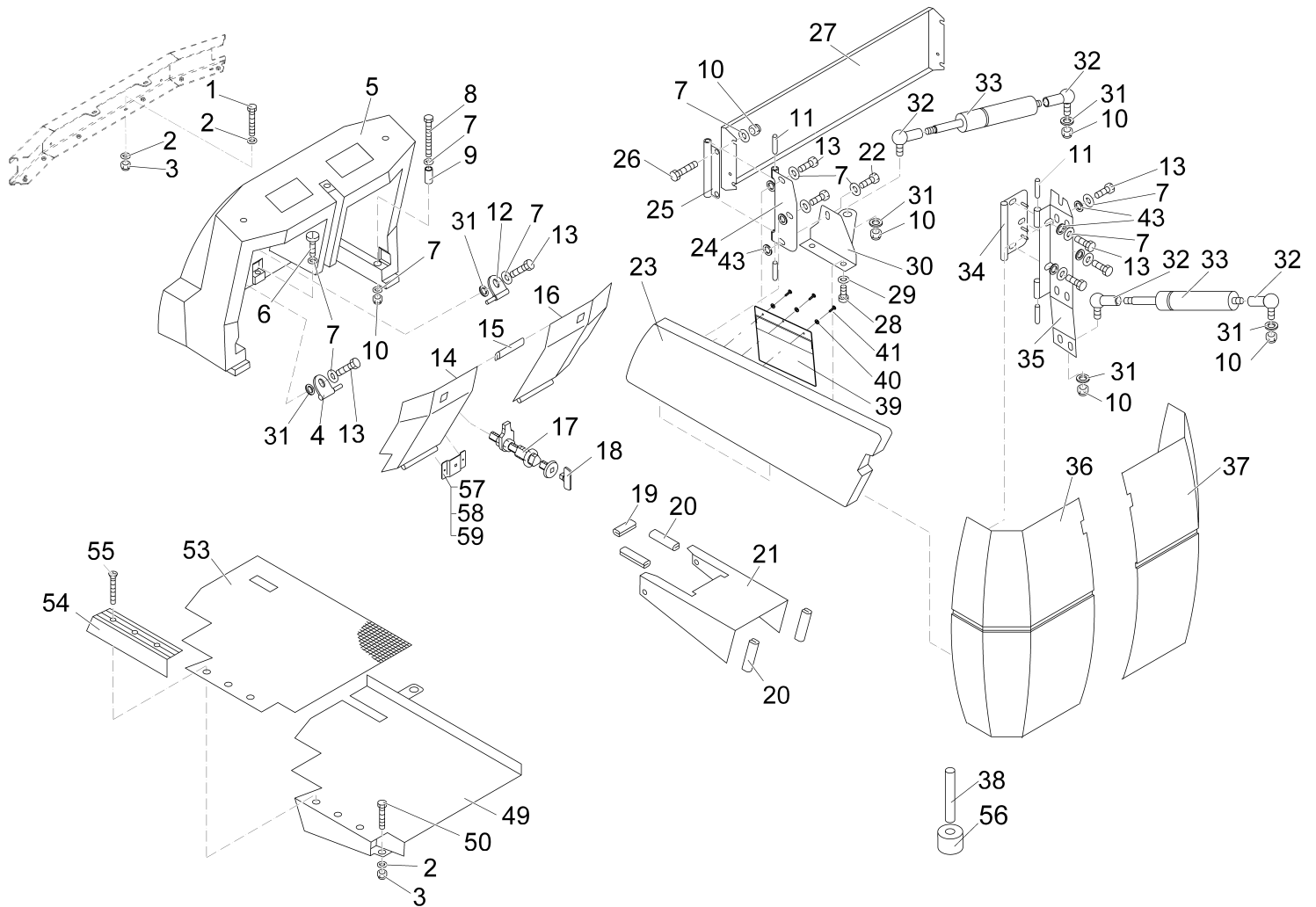
Lifting cpl. (97043129)



**Lifting cpl. (97043129)**

Item	Part number	Description	Qty.	Unit	Remarks
1	00959220	Screw	2	PC	
2	00053720	Washer	2	PC	
3	00102400	Bolt	1	PC	
4	00650110	Lifting spindle	1	PC	
5	00102420	Bolt	1	PC	
6	00981030	Lever	1	PC	
7	00053080	Hexagon screw	1	PC	
8	00042900	Washer	2	PC	
9	00523240	DU-Drying socket	1	PC	
10	00057980	Bolt	1	PC	
11	00854420	Thrust washer	1	PC	
12	01051830	Support	1	PC	
13	00051510	Hex. Nut	1	PC	

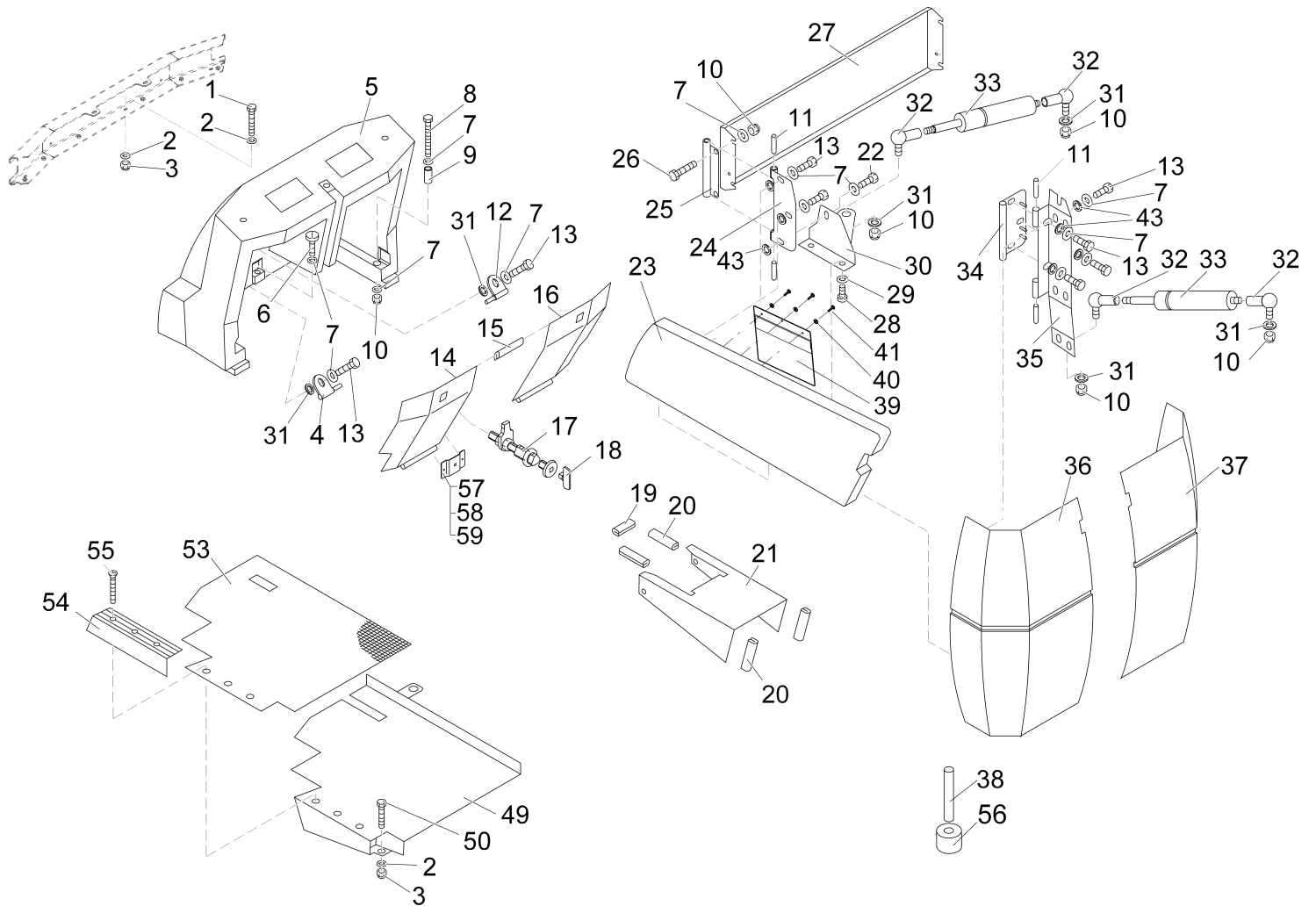
**Covering (L.H.) (97122477-1)**



**Covering (L.H.) (97122477-1)**

Item	Part number	Description	Qty.	Unit	Remarks
1	00053040	Hex.bolt	5	PC	
2	00135120	Washer	11	PC	
3	00051520	Hex. Nut	13	PC	
4	00959640	Bolt	1	PC	
5	00035070	Front wall	1	PC	
6	00109720	Screw	1	PC	
7	00042900	Washer	20	PC	
8	00074260	Hex.bolt	12	PC	
9	00975110	Bushing	2	PC	
10	00051510	Hex. Nut	8	PC	
11	00155070	Cylinder pin	4	PC	
12	00975100	Hinge R.H.	1	PC	
13	00536320	Hex.bolt	11	PC	
14	00722190	Sheet metal L.H.	1	PC	
15	00681570	Edge protection	1000m m	M	
16	00722180	Sheet metal R.H.	1	PC	
17	00975120	Bolt lock	1	PC	
18	00975170	Key	1	PC	
19	00461460	Edge protection	160mm	M	
20	00752350	Edge protection	825mm	M	
21	00980620	Hood	1	PC	
22	00053080	Hexagon screw	1	PC	
23	00980050	Side door left	1	PC	
24	00980740	Plate	1	PC	
25	00980770	Plate	1	PC	
26	00053100	Hexagon screw	2	PC	
27	00035220	Plate	1	PC	
28	00959220	Screw	3	PC	
29	00053720	Washer	3	PC	
30	00975090	Angle	1	PC	
31	00053750	Washer	8	PC	
32	00527690	Angle joint	6	PC	
33	00159800	Gas spring	3	PC	
34	00980790	Plate	1	PC	
35	00980810	Angle	1	PC	

**Covering (L.H.) (97122477-1)**

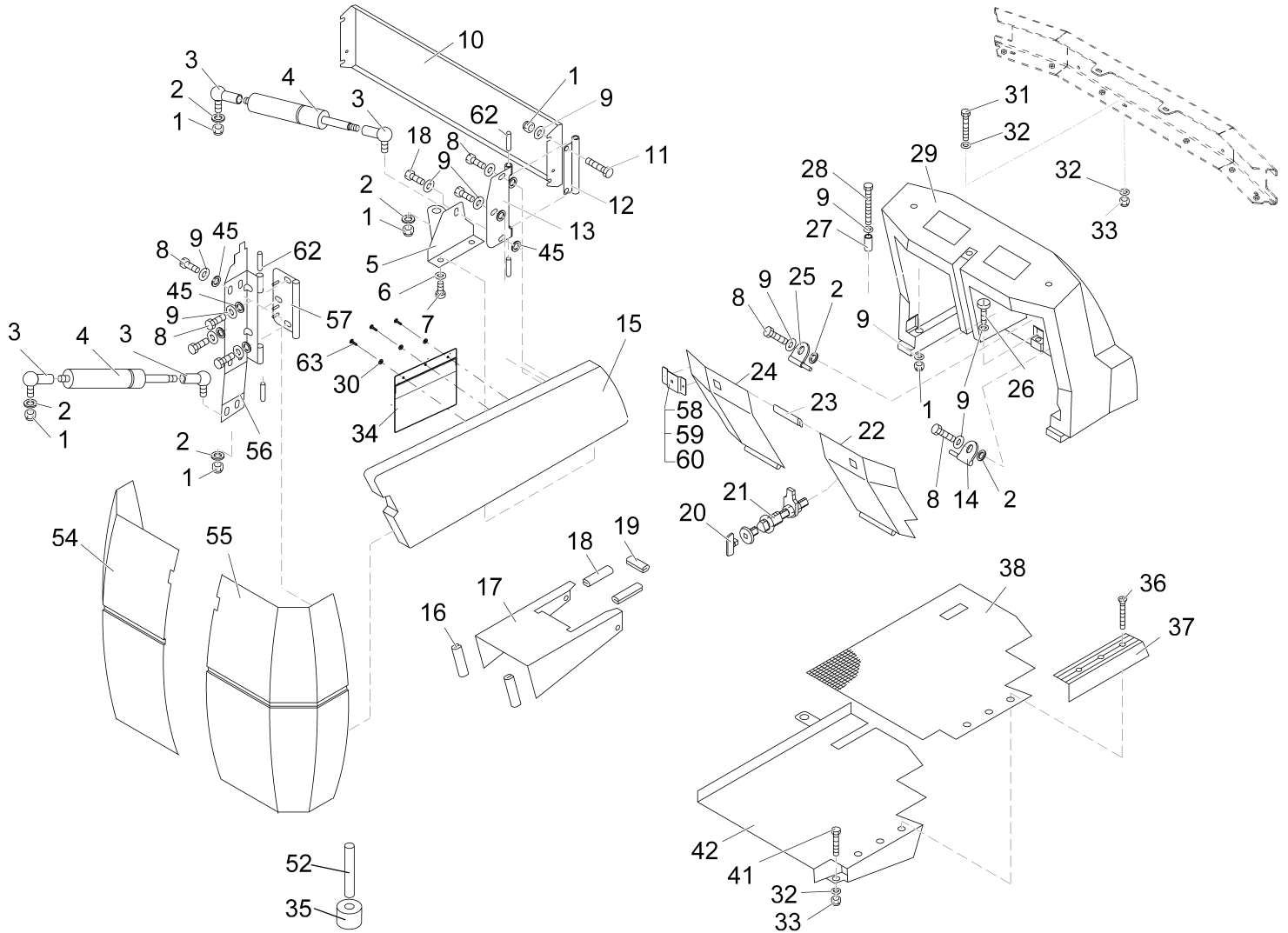




**Covering (L.H.) (97122477-1)**

Item	Part number	Description	Qty.	Unit	Remarks
36	00980010	Door left	1	PC	
37	00980030	Door right	1	PC	
38	00102290	Bolt	1	PC	
39	01078280	Bag	1	PC	
40	00555520	Washer	3	PC	
41	00905520	Screw	3	PC	
43	00053730	Washer	20	PC	
49	00980560	Bottom plate	1	PC	
50	00053020	Hexagon screw	1	PC	
53	00980610	Floor mat	1	PC	
54	00975140	Step plate	1	PC	
55	00551140	Tapping screw	3	PC	
56	00975150	Roller	1	PC	
57	00695730	Holder	1	PC	
58	00023640	Cable clip	1	PC	
59	01177820	Blind rivet	1	PC	

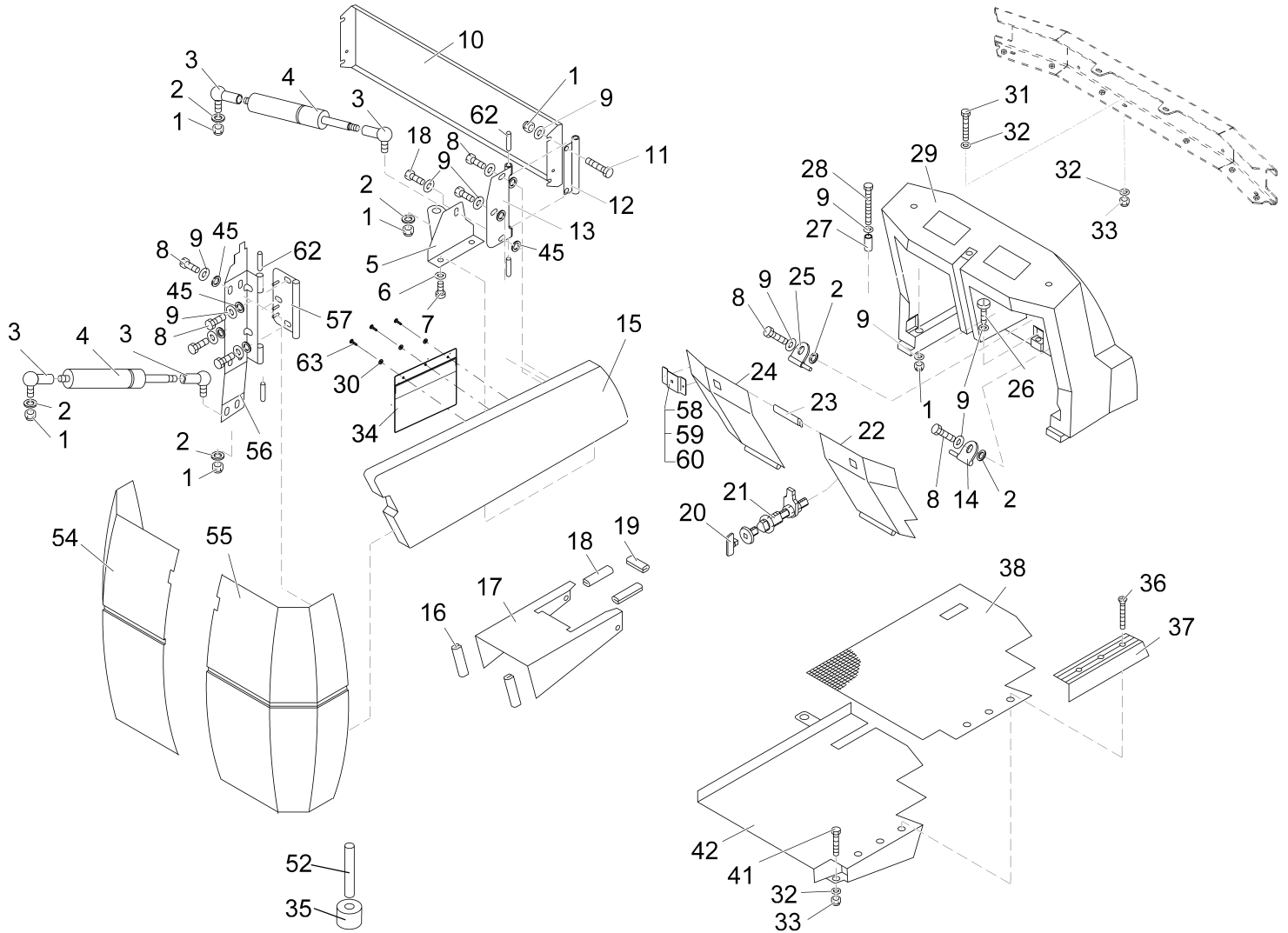
**Covering (R.H.) (97122477-2)**



**Covering (R.H.) (97122477-2)**

Item	Part number	Description	Qty.	Unit	Remarks
1	00051510	Hex. Nut	8	PC	
2	00053750	Washer	8	PC	
3	00527690	Angle joint	6	PC	
4	00159800	Gas spring	3	PC	
5	00975080	Angle	1	PC	
6	00053720	Washer	3	PC	
7	00959220	Screw	3	PC	
8	00536320	Hex.bolt	11	PC	
9	00042900	Washer	20	PC	
10	00035220	Plate	1	PC	
11	00053100	Hexagon screw	2	PC	
12	00980770	Plate	1	PC	
13	00980780	Plate	1	PC	
14	00975100	Hinge R.H.	1	PC	
15	00980070	Side door right	1	PC	
16	00752350	Edge protection	825mm	M	
17	00980620	Hood	1	PC	
18	00053080	Hexagon screw	1	PC	
19	00461460	Edge protection	160mm	M	
20	00975170	Key	1	PC	
21	00975120	Bolt lock	1	PC	
22	00722180	Sheet metal R.H.	1	PC	
23	00681570	Edge protection	1000m m	M	
24	00722190	Sheet metal L.H.	1	PC	
25	00959640	Bolt	1	PC	
26	00109720	Screw	1	PC	
27	00975110	Bushing	2	PC	
28	00074260	Hex.bolt	2	PC	
29	00035070	Front wall	1	PC	
30	00555520	Washer	3	PC	
31	00053040	Hex.bolt	5	PC	
32	00135120	Washer	11	PC	
33	00051520	Hex. Nut	13	PC	
34	01078280	Bag	1	PC	
35	00975150	Roller	1	PC	

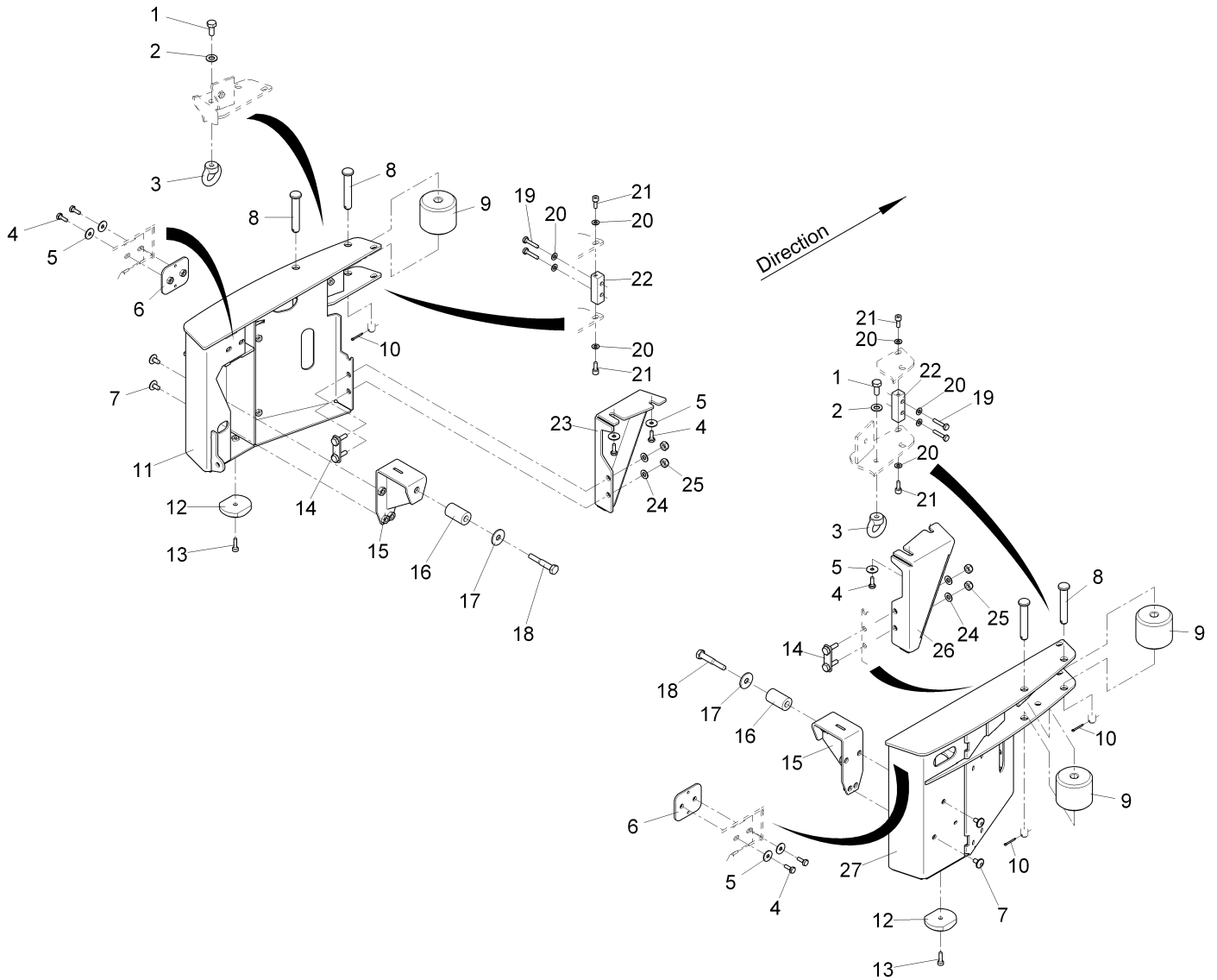
**Covering (R.H.) (97122477-2)**



**Covering (R.H.) (97122477-2)**

Item	Part number	Description	Qty.	Unit	Remarks
36	00551140	Tapping screw	3	PC	
37	00975130	Step plate	1	PC	
38	00980580	Floor mat	1	PC	
41	00053020	Hexagon screw	1	PC	
42	00980590	Bottom plate	1	PC	
45	00053730	Washer	20	PC	
52	00102290	Bolt	1	PC	
54	00980010	Door left	1	PC	
55	00980030	Door right	1	PC	
56	00980800	Angle	1	PC	
57	00980790	Plate	1	PC	
58	00695730	Holder	1	PC	
59	00023640	Cable clip	1	PC	
60	01177820	Blind rivet	1	PC	
62	00155070	Cylinder pin	4	PC	
63	00905520	Screw	3	PC	

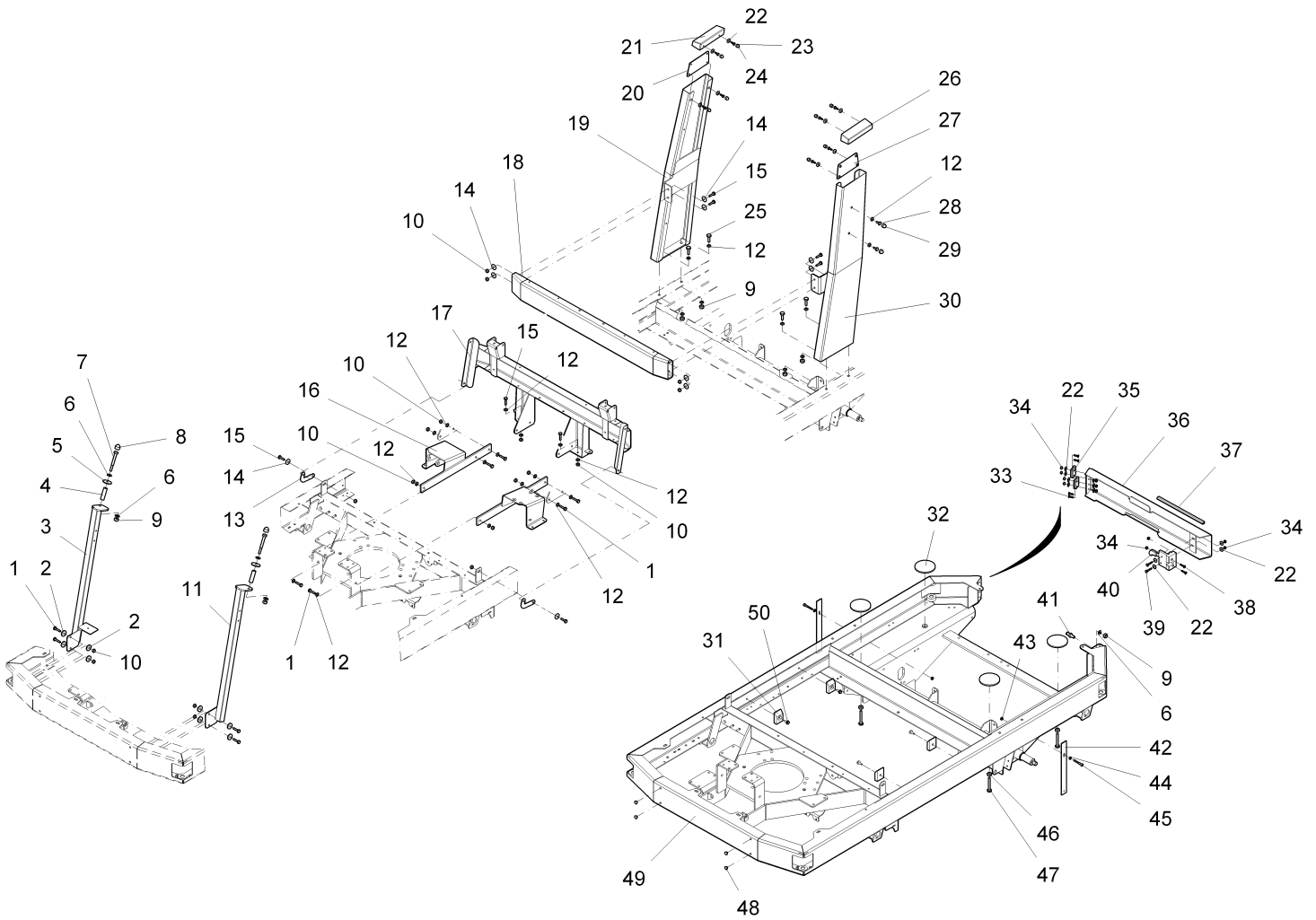
**Bumper cpl. (97119663)**



**Bumper cpl. (97119663)**

Item	Part number	Description	Qty.	Unit	Remarks
1	00053190	Hex.bolt	2	PC	
2	00053770	Washer	2	PC	
3	---	Spare part on request	2		90600545 Eye nut
4	00053090	Hexagon screw	8	PC	
5	00042900	Washer	8	PC	
6	01273770	Sheet metal	2	PC	
7	01131350	Lens head screw	4	PC	
8	00138410	Bolt	4	PC	
9	00975150	Roller	4	PC	
10	00054870	Cotter pin	4	PC	
11	---	Spare part on request	1		96135405 Bumper L.H.
12	01070970	Stay	1	PC	
13	00102790	Cylinder head screw	2	PC	
14	---	Spare part on request	2		96136387 Fastening plate
15	---	Spare part on request	2		96135413 Rear retainer
16	---	Spare part on request	2		90607599 Bushing
17	00132610	Washer	2	PC	
18	00693010	Hex.bolt	2	PC	
19	00054690	Hexagon screw	4	PC	
20	00053750	Washer	8	PC	
21	00045540	Cylinder head screw	4	PC	
22	---	Spare part on request	2		90607771 Block
23	---	Spare part on request	1		96135579 Retainer L.H.
24	00053760	Washer	4	PC	
25	00051500	Hex. Nut	4	PC	
26	---	Spare part on request	1		96135561 Retainer R.H.
27	---	Spare part on request	1		96135397 Bumper R.H.

**Frame (97118129)**

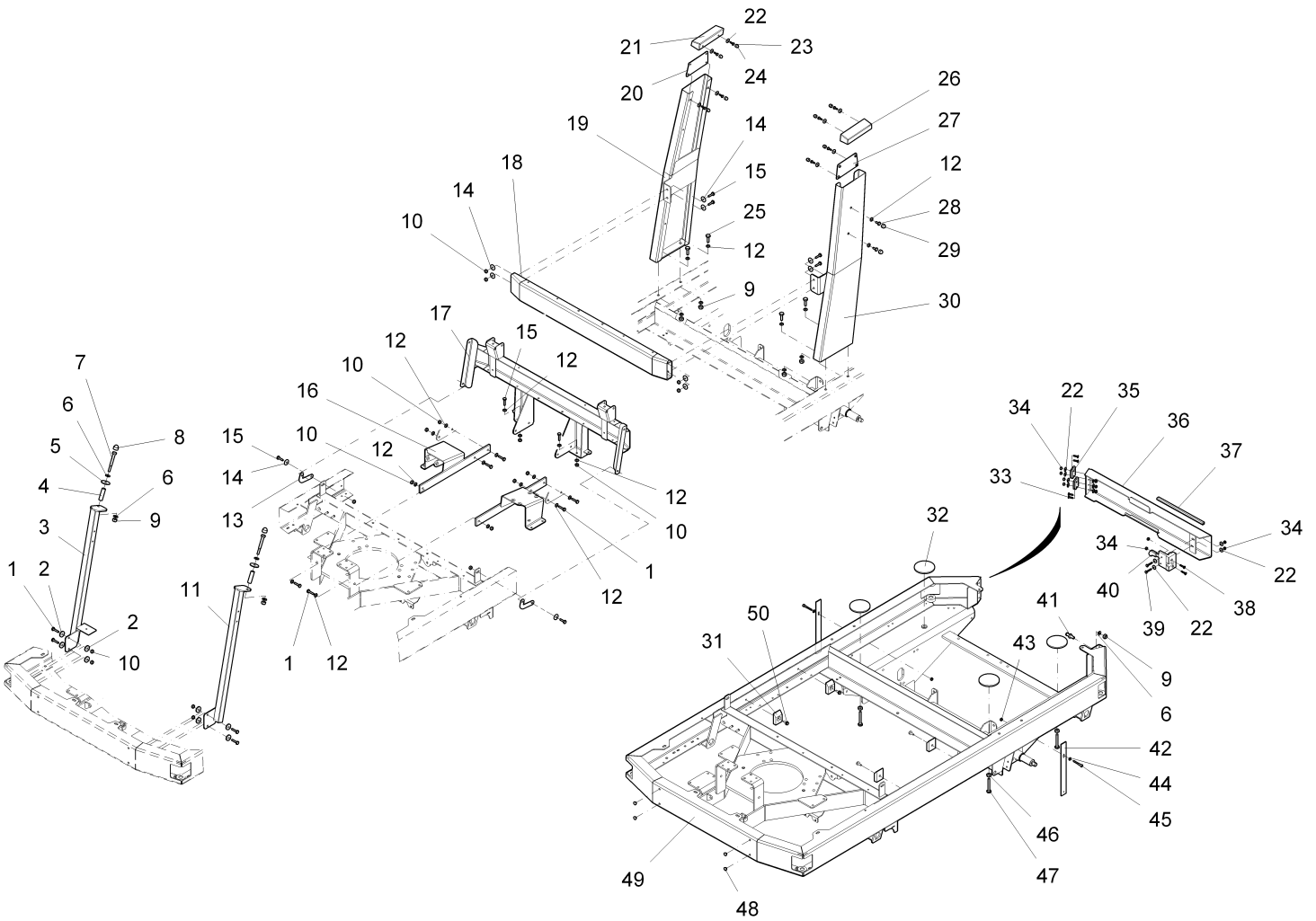




**Frame (97118129)**

Item	Part number	Description	Qty.	Unit	Remarks
1	00053110	Hexagon screw	10	PC	
2	00047990	Disk wheel	4	PC	
3	00035160	Support right	1	PC	
4	00974240	Sleeve	2	PC	
5	01177570	Washer	2	PC	
6	00053760	Washer	5	PC	
7	00157410	Hex.bolt	2	PC	
8	00747210	Lens cap	2	PC	
9	00051500	Hex. Nut	7	PC	
10	00051510	Hex. Nut	24	PC	
11	00035170	Support left	1	PC	
12	00053750	Washer	26	PC	
13	00974310	Bracket	2	PC	
14	00042900	Washer	14	PC	
15	00053100	Hexagon screw	8	PC	
16	00980420	Prop right	1	PC	
17	00035150	Carrier	1	PC	
18	00035140	Carrier	1	PC	
19	00035120	Spar frame R.H.	1	PC	
20	01073230	Plate R.H., cpl	1	PC	
21	00974280	Hood R.H.	1	PC	
22	00135120	Washer	20	PC	
23	00053010	Hex.bolt	8	PC	
24	00525910	Lens cap	8	PC	
25	00053160	Hexagon screw	4	PC	
26	00974270	Hood L.H.	1	PC	
27	01073240	Plate L.H., cpl.	1	PC	
28	00053080	Hexagon screw	2	PC	
29	00131610	Lens cap	2	PC	
30	03009300	Spar frame L.H.	1	PC	
31	00974300	Spacer piece	4	PC	
32	00974220	Washer	4	PC	
33	00021310	Countersunk screw	8	PC	
34	00051520	Hex. Nut	18	PC	
35	00522530	Hinge	2	PC	
36	00035110	Carrier	1	PC	

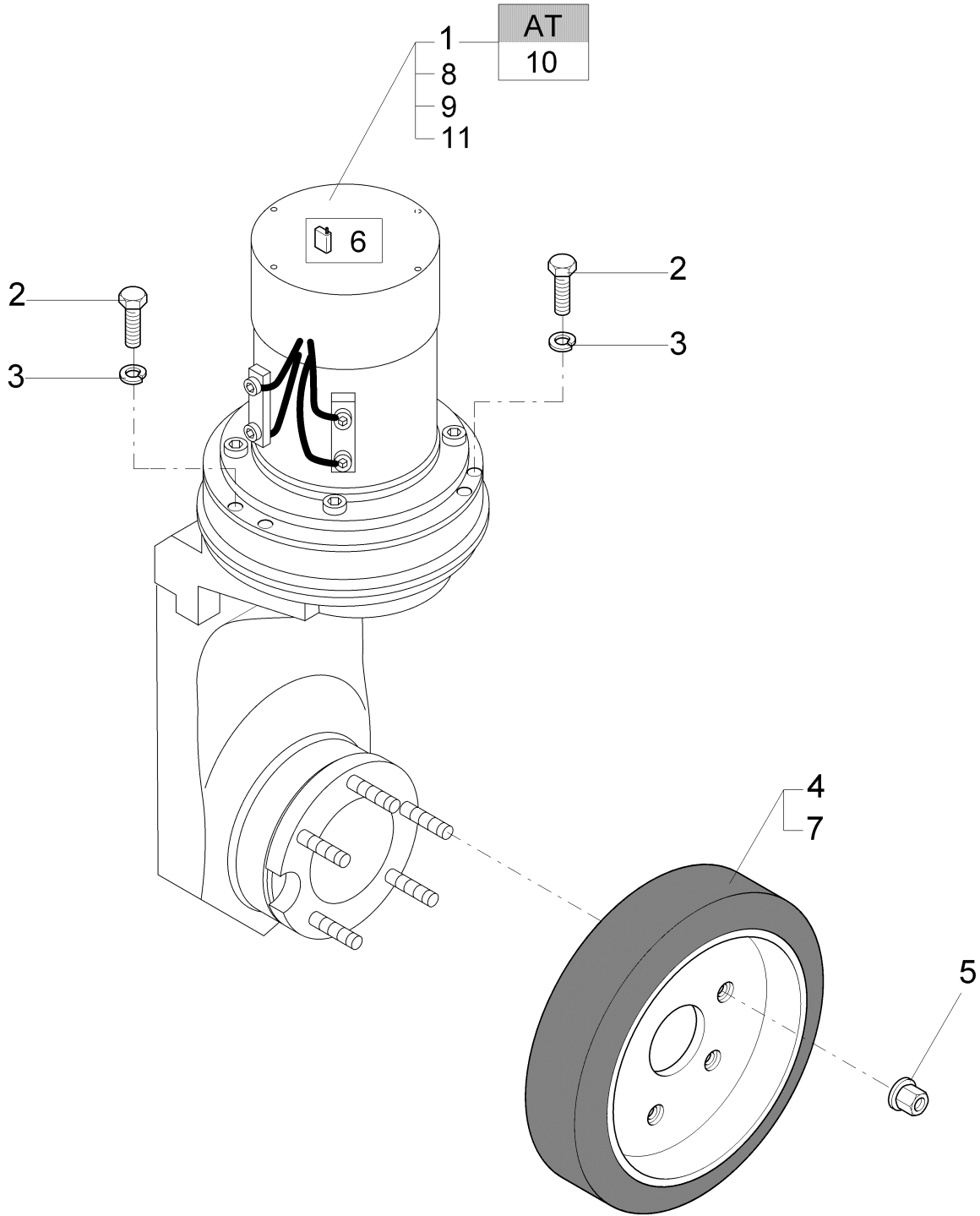
**Frame (97118129)**



**Frame (97118129)**

Item	Part number	Description	Qty.	Unit	Remarks
37	00161240	Edge protection	0,280	M	
38	---	Spare part on request	1		90629833 Cab lock R.H.
38	00078200	Cab lock R.H.	1	PC	
39	00551160	Countersunk screw	2	PC	
40	00053040	Hex.bolt	2	PC	
41	00877070	Bolt	1	PC	
42	01070570	Rubber gasket	2	PC	
43	00053330	Hex. Nut	2	PC	
44	00053730	Washer	2	PC	
45	01143070	Socket head screw	2	PC	
46	00053360	Hex. Nut	4	PC	
47	00051550	Hex.bolt	4	PC	
48	00906060	Drain plug	4	PC	
49	03011640	Chassis	1	PC	
50	00109720	Screw	4	PC	

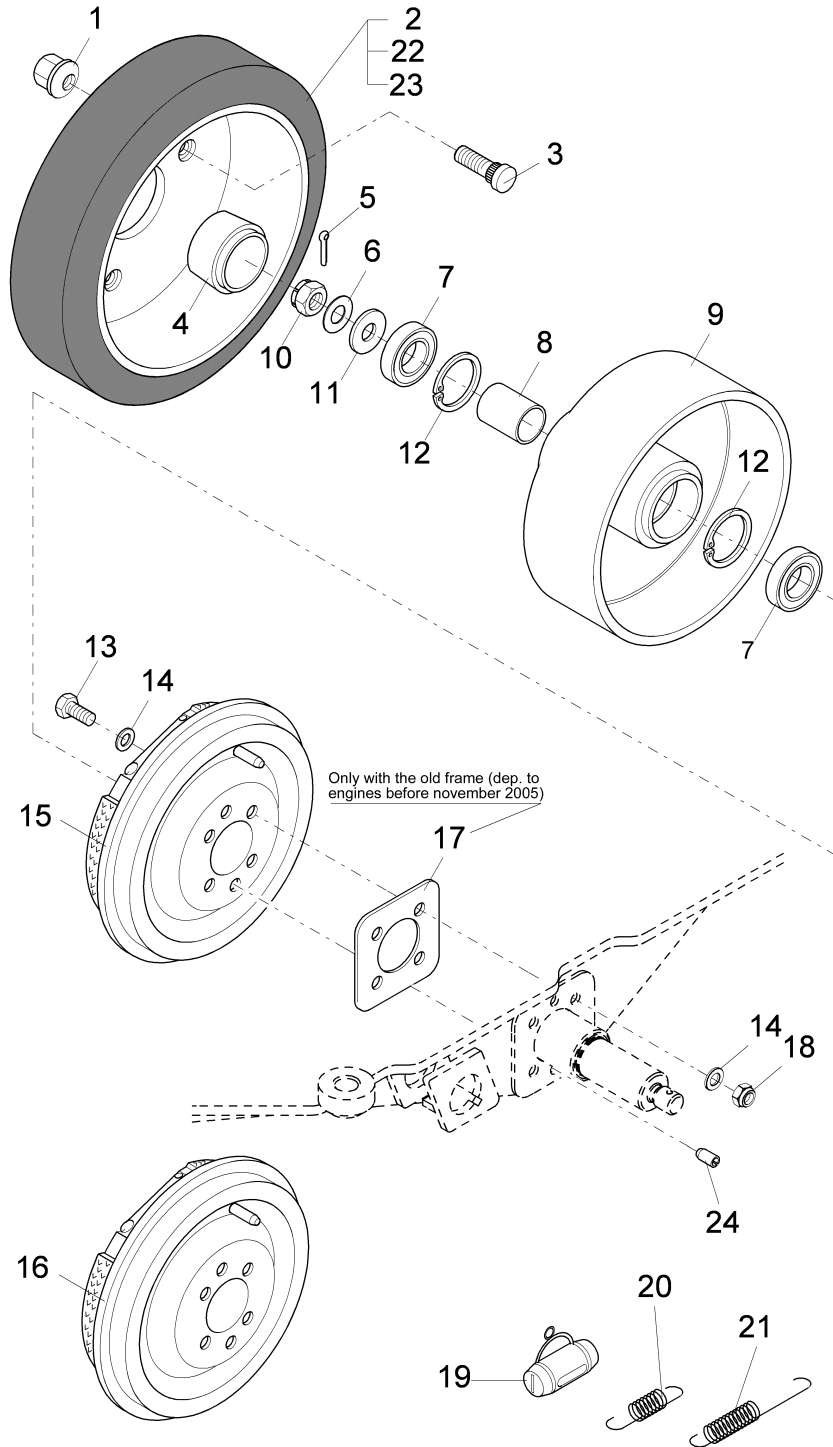
Travel drive (97042329)



**Travel drive (97042329)**

Item	Part number	Description	Qty.	Unit	Remarks
1	00910150	Wheel drive	1	PC	
2	00155830	Hexagon screw	6	PC	
3	00053430	Lock washer	6	PC	
4	01051310	Front wheel	1	PC	
5	00854640	Spherical collar nut	1	PC	
6	00976490	Carbon brush	4	PC	
7	01057120	Front wheel, (skid-proof type)	1	PC	
8	00912540	Rotary shaft seal	1	PC	
9	01177100	Thermo guard	1	PC	
10	00000970	Wheel drive	1	PC	Replacement part for 00910150
11	03502250	Spur gear set	1	PC	incl. bevel wheel, spur wheel, o-ring, hexagon nut and slotted nut

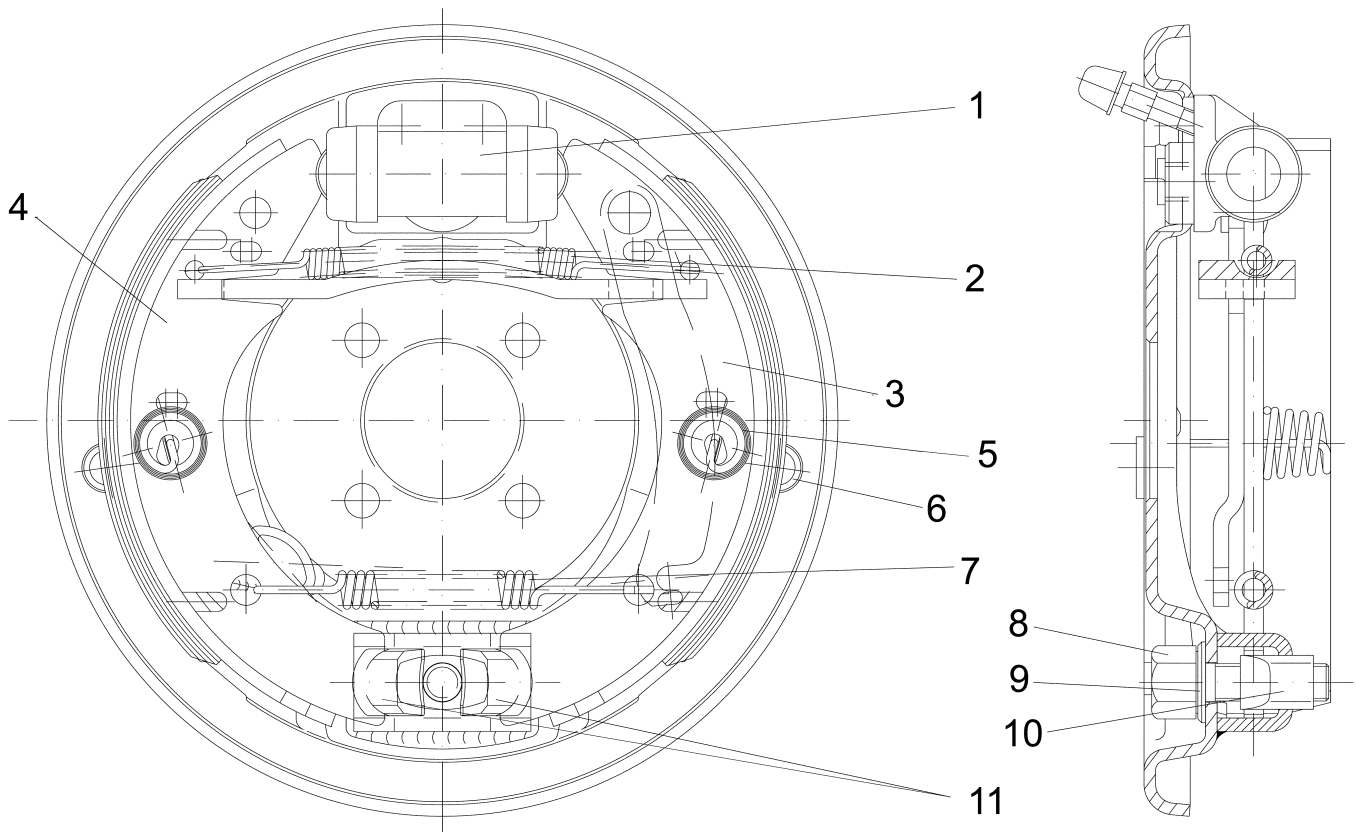
Rear wheel (97042311)



**Rear wheel (97042311)**

Item	Part number	Description	Qty.	Unit	Remarks
1	00854640	Spherical collar nut	8	PC	
2	00981620	Rear wheel	2	PC	
3	00854630	Wheel bolt	8	PC	
4	00972080	Cover	2	PC	
5	00139930	Cotter pin	2	PC	
6	00155180	Adjusting washer	1	PC	
7	00106500	Deep groove ball bearing	4	PC	
8	00925650	Bushing	2	PC	
9	00910020	Brake drum	2	PC	
10	00072360	Slotted nut	2	PC	
11	00851240	Washer	2	PC	
12	00153110	Retaining ring	4	PC	
13	00749080	Hex.bolt	8	PC	
14	00053750	Washer	8	PC	
15	<b>00321680</b>	<b>Brake R.H.</b>	<b>Page</b>	<b>48</b>	
16	<b>00321650</b>	<b>Brake L.H.</b>	<b>Page</b>	<b>50</b>	
17	00972070	Plate	2	PC	
18	00051510	Hex. Nut	8	PC	
19	00109990	Wheel brake cylinder	2	PC	
20	00022020	Tension spring	2	PC	
21	00966260	Tension spring	2	PC	
22	01057130	Rear wheel L.H. (skid-proof type)	1	PC	
23	01057140	Rear wheel R.H. (skid-proof type)	1	PC	
24	00072410	Dowel pin	4	PC	

**Brake R.H. (00321680)**

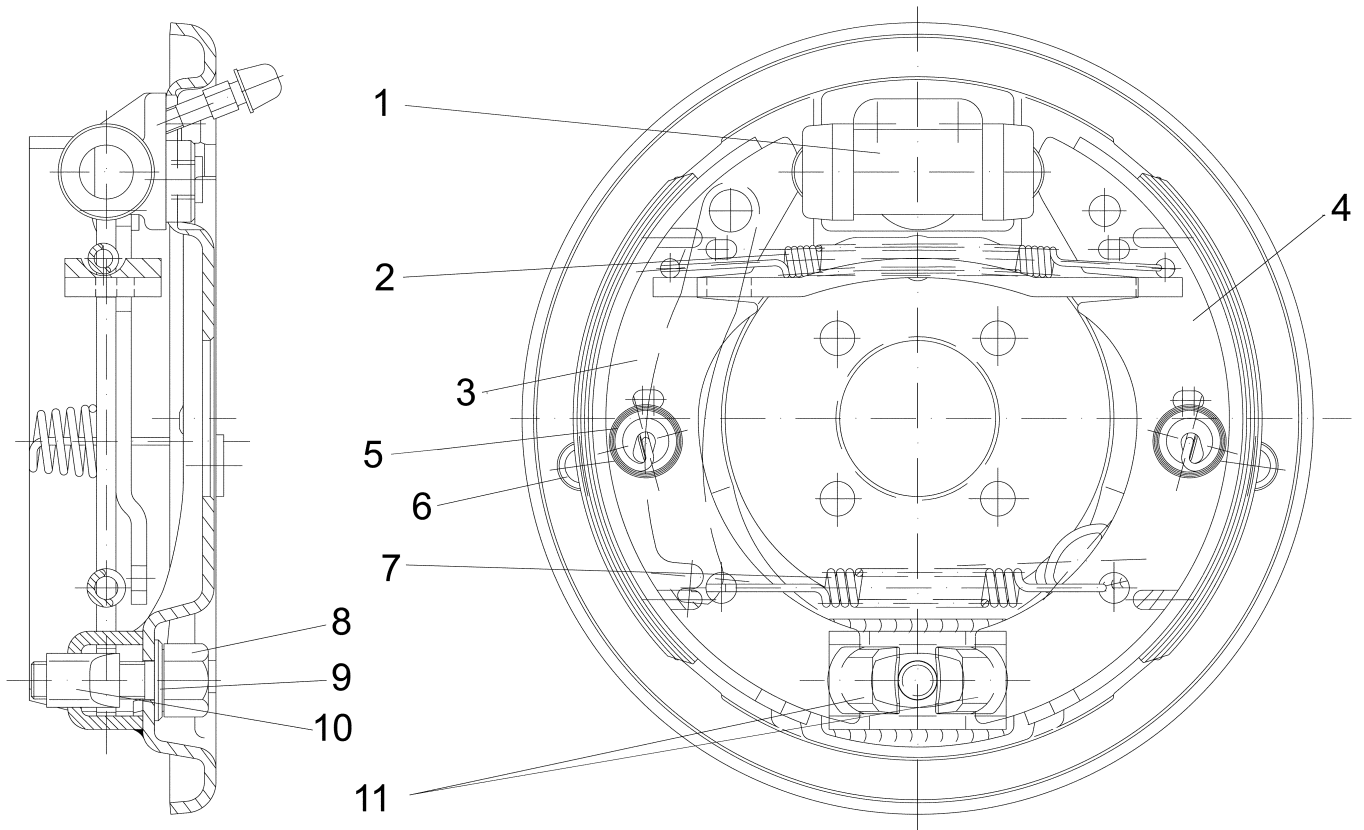




**Brake R.H. (00321680)**

Item	Part number	Description	Qty.	Unit	Remarks
1	00109990	Wheel brake cylinder	1	PC	
2	00966260	Tension spring	1	PC	
3	00141950	Brake shoe R.H. with fixing device	1	PC	
4	00260010	Brake shoe	1	PC	
5	00525060	Pressure spring	2	PC	
6	00525010	Sealing cover	2	PC	
7	00022020	Tension spring	1	PC	
8	01146180	Hexagon screw	1	PC	
9	00053760	Washer	1	PC	
10	00525030	adjusting key	1	PC	
11	00525020	Adjusting bolt	2	PC	

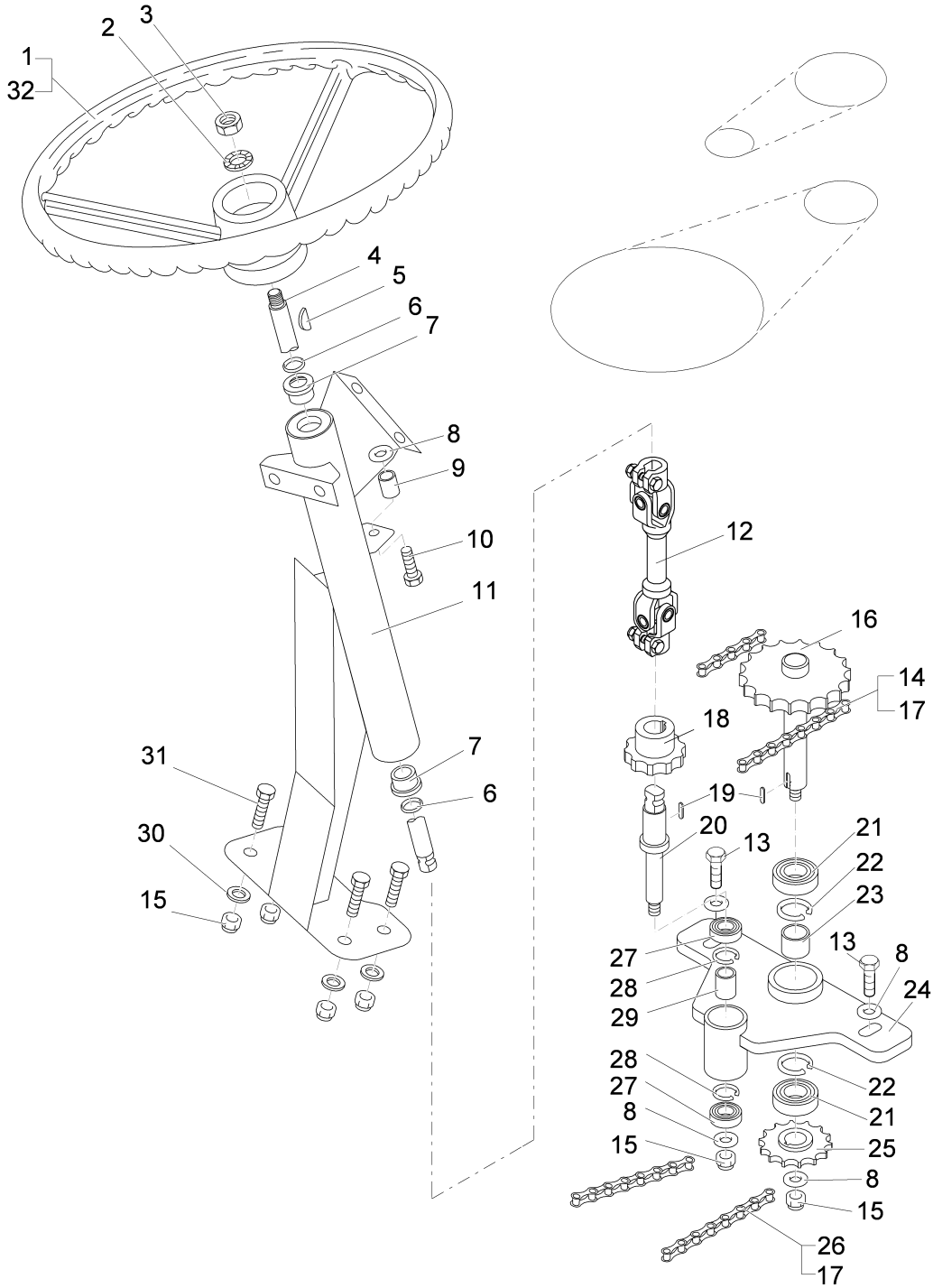
**Brake L.H. (00321650)**



**Brake L.H. (00321650)**

Item	Part number	Description	Qty.	Unit	Remarks
1	00109990	Wheel brake cylinder	1	PC	
2	00966260	Tension spring	1	PC	
3	00141980	Brake shoe L.H. with fixing device	1	PC	
4	00260010	Brake shoe	1	PC	
5	00525060	Pressure spring	2	PC	
6	00525010	Sealing cover	2	PC	
7	00022020	Tension spring	1	PC	
8	01146180	Hexagon screw	1	PC	
9	00053760	Washer	1	PC	
10	00525030	adjusting key	1	PC	
11	00525020	Adjusting bolt	2	PC	

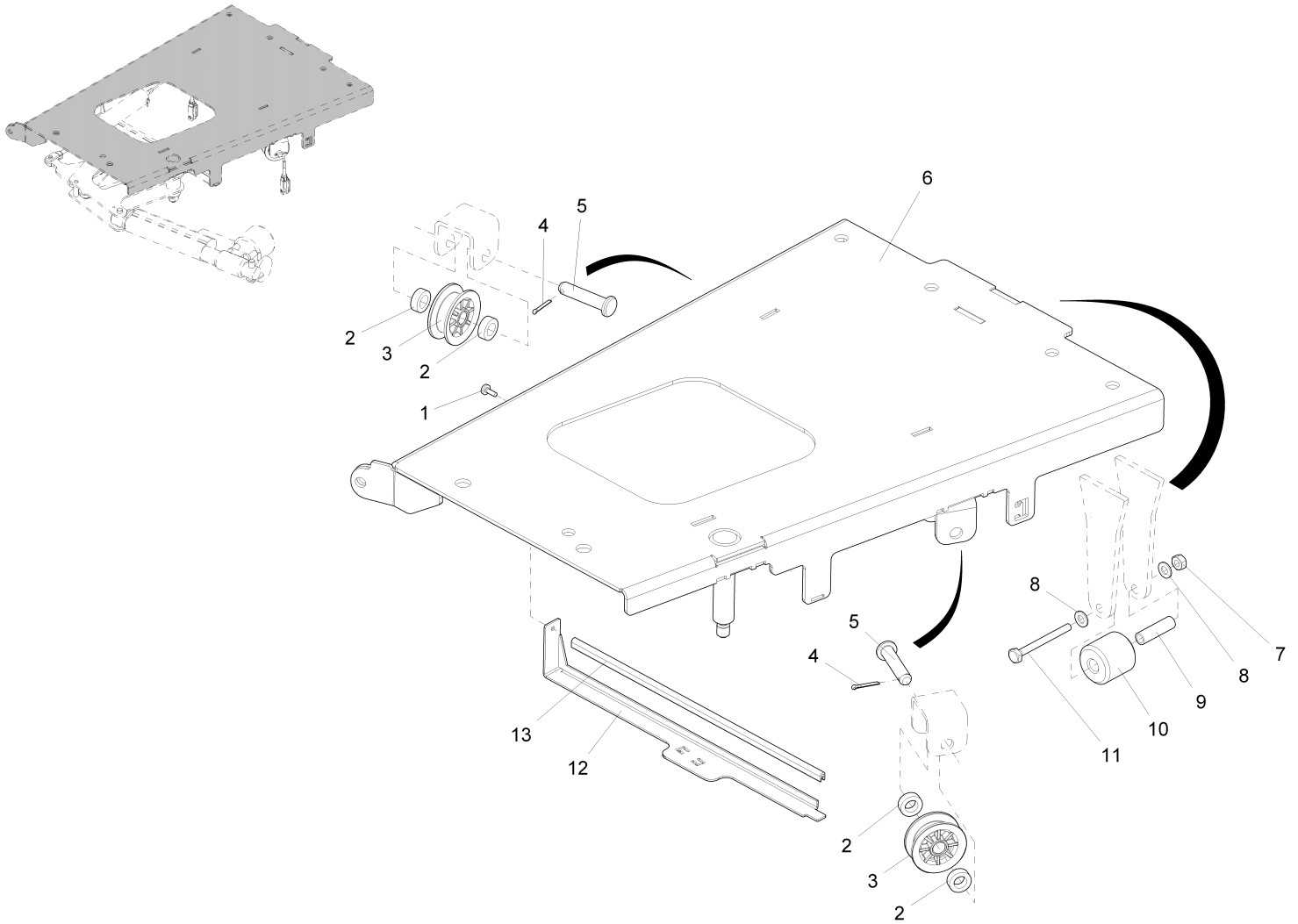
**Steering (97042352)**



**Steering (97042352)**

Item	Part number	Description	Qty.	Unit	Remarks
1	00251100	Steering wheel	1	PC	
2	00075290	Toothed washer	1	PC	
3	00074350	Hex. Nut	1	PC	
4	00980760	Shaft	1	PC	
5	00153600	Woodruff key	1	PC	
6	00554400	O-ring oil resistant	2	PC	
7	00523630	Bushing	2	PC	
8	00042900	Washer	5	PC	
9	00974330	Sleeve	1	PC	
10	00053260	Hex.bolt	1	PC	
11	00980750	Pipe	1	PC	
12	00492520	cardan shaft	1	PC	
13	00053100	Hexagon screw	2	PC	
14	00911360	Roller chain	1	PC	
15	00051510	Hex. Nut	7	PC	
16	00975420	Shaft	1	PC	
17	00537280	Section	3	PC	
18	00521170	Chain wheel	1	PC	
19	00153010	Feather key	2	PC	
20	00975440	Shaft	1	PC	
21	00046250	Deep groove ball bearing	2	PC	
22	00154440	Retaining ring	2	PC	
23	00028840	Bushing	1	PC	
24	00980720	Plate	1	PC	
25	00975450	Chain wheel	1	PC	
26	00911340	Roller chain	1	PC	
27	00538360	Deep groove ball bearing	2	PC	
28	00101660	Retaining ring	2	PC	
29	01177590	Pipe	1	PC	
30	00053750	Washer	12	PC	
31	00053110	Hexagon screw	6	PC	
32	01177600	Cap	1	PC	

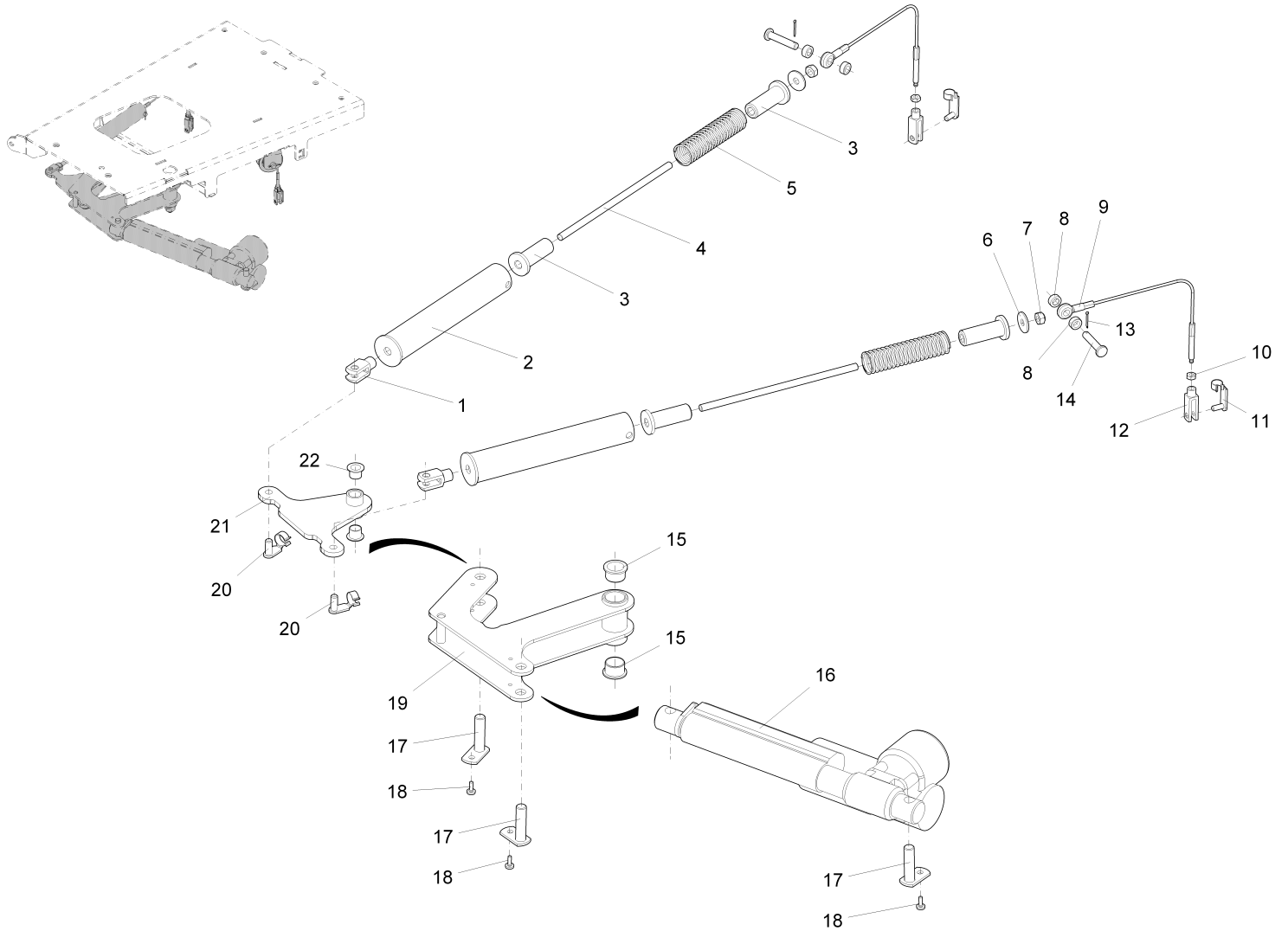
**Brush lifting part 1 (97115026-1)**



**Brush lifting part 1 (97115026-1)**

Item	Part number	Description	Qty.	Unit	Remarks
1	00959220	Screw	1	PC	
2	---	Spare part on request	4		
3	00972140	Roller	2	PC	
4	00553580	Cotter pin	2	PC	
5	00151630	Bolt	2	PC	
6	---	Spare part on request	1		
7	00051510	Hex. Nut	1	PC	
8	00053750	Washer	2	PC	
9	00974250	Spacer piece	1	PC	
10	00974260	Roller	1	PC	
11	00557600	Hex.bolt	1	PC	
12	---	Spare part on request	1		
13	00721090	Edge protection	330mm	M	

**Brush lifting part 2 (97115026-2)**

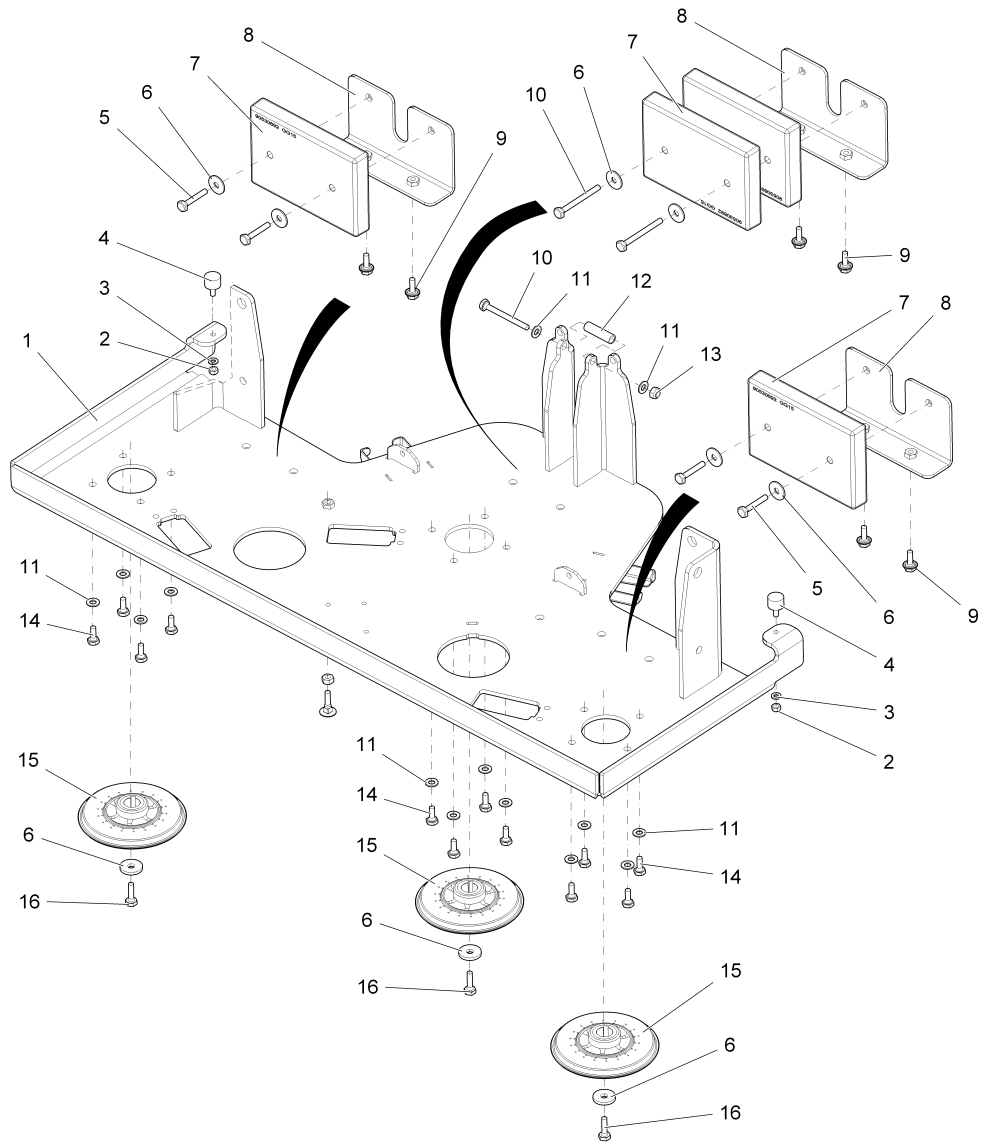
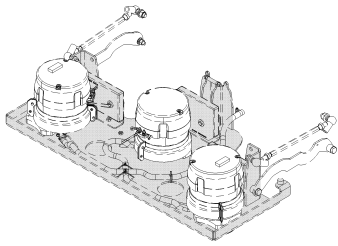




**Brush lifting part 2 (97115026-2)**

Item	Part number	Description	Qty.	Unit	Remarks
1	00151440	Fork yoke	2	PC	
2	---	Spare part on request	2		
3	00975470	Bushing	4	PC	
4	---	Spare part on request	2		
5	01178640	Cyl. compression spring	4	PC	
6	00042900	Washer	2	PC	
7	00051510	Hex. Nut	2	PC	
8	01135590	Slide bearing bush	4	PC	
9	01273640	Pull rope	2	PC	
10	01079060	Driving control	2	PC	
11	00851590	Bolt	2	PC	
12	00851570	Fork yoke	2	PC	
13	00054860	Cotter pin	2	PC	
14	00706080	Bolt	2	PC	
15	01273610	Slide bearing bush	2	PC	
16	00650110	Lifting spindle	1	PC	
17	00975230	Bolt	3	PC	
18	00959220	Screw	3	PC	
19	01273800	Mounting link	1	PC	
20	00151400	Bolt	2	PC	
21	01273760	Sheet metal	1	PC	
22	01071440	Plain bearing bush	2	PC	

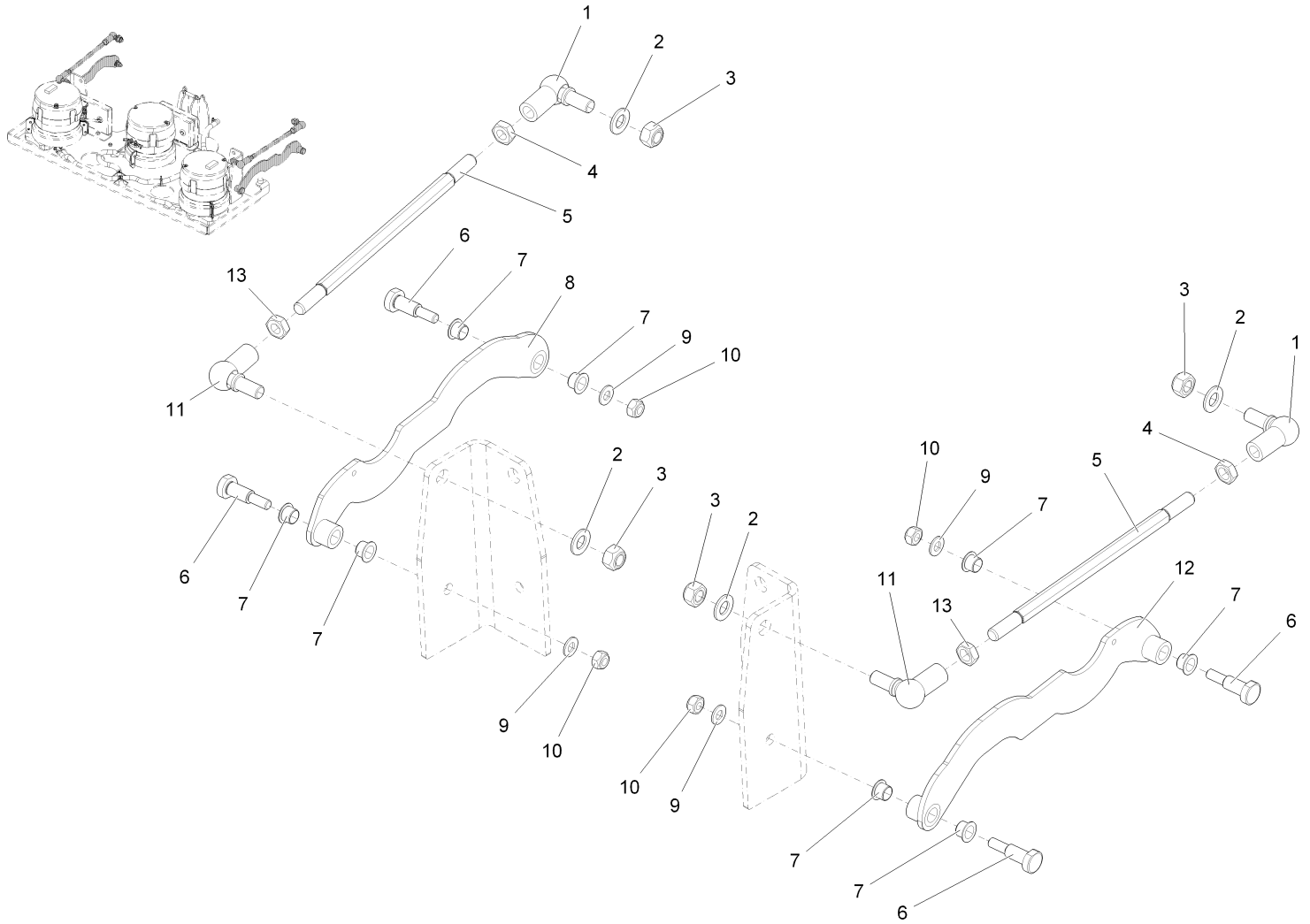
**Brush head part 1 (97115356-1)**



**Brush head part 1 (97115356-1)**

Item	Part number	Description	Qty.	Unit	Remarks
1	---	Spare part on request	1		
2	00051520	Hex. Nut	2	PC	
3	00053730	Washer	2	PC	
4	00854090	Stop buffer	2	PC	
5	00133700	Hexagon screw	4	PC	
6	00042900	Washer	9	PC	
7	---	Spare part on request	4		
8	---	Spare part on request	3		
9	00959310	Hex.bolt	6	PC	
10	00557600	Hex.bolt	3	PC	
11	00053750	Washer	14	PC	
12	00974250	Spacer piece	1	PC	
13	00051510	Hex. Nut	1	PC	
14	00553690	Hex.bolt	12	PC	
15	00512400	Carrier	3	PC	
16	00025000	Hex.bolt	3	PC	

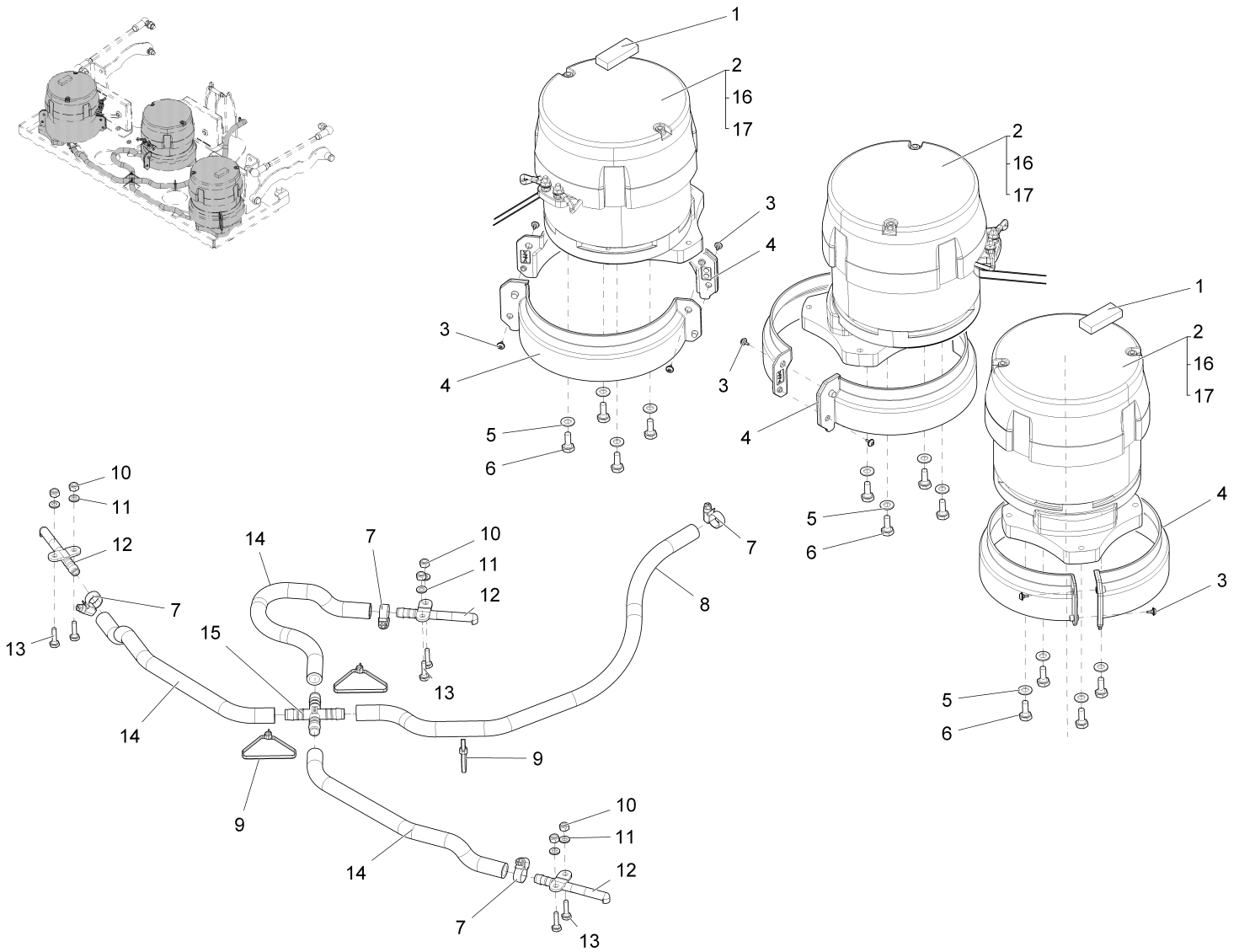
**Brush head part 2 (97115356-2)**



**Brush head part 2 (97115356-2)**

Item	Part number	Description	Qty.	Unit	Remarks
1	00522370	Hinged joint	2	PC	
2	00053780	Washer	4	PC	
3	00522370	Hinged joint	4	PC	
4	00053740	Hex. Nut	4	PC	
5	01271120	Threaded rod	2	PC	
6	01073910	fitting screw	4	PC	
7	01073860	slide bearing bush	8	PC	
8	01271110	Truss R.H.	1	PC	
9	01140500	Washer	4	PC	
10	01019660	Hex. Nut	4	PC	
11	00101440	Hinged joint	2	PC	
12	01271100	Truss L.H.	1	PC	
13	00101480	Hex. Nut	2	PC	

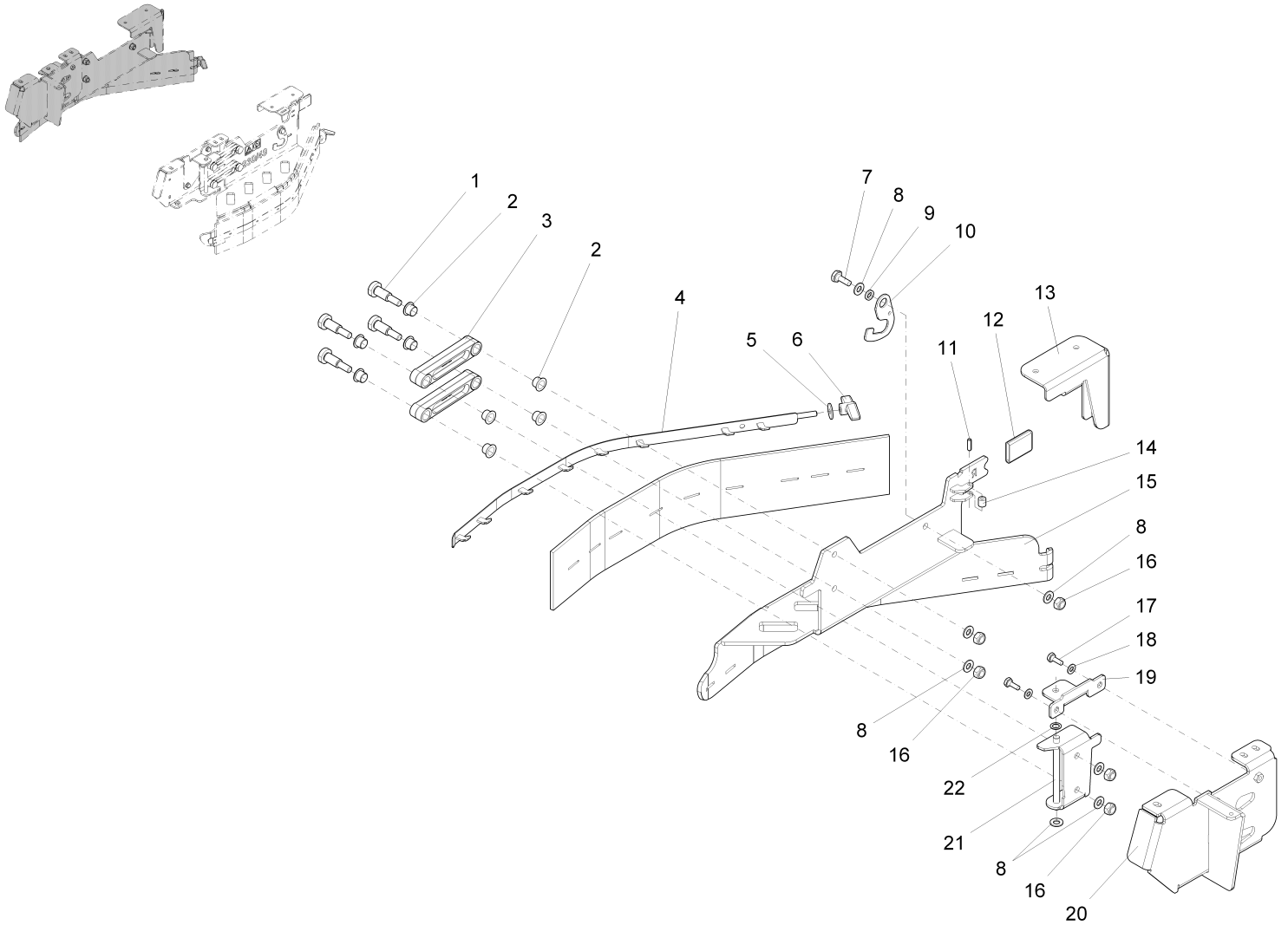
**Brush head part3 (97115356-3)**



**Brush head part3 (97115356-3)**

Item	Part number	Description	Qty.	Unit	Remarks
1	00430880	Foam rubber, grey	50mm	M	
2	01271070	Motor Amer 710W 36V	3	PC	
3	01170850	Screw	12	PC	
4	01271080	Splash guard	6	PC	
5	00053750	Washer	12	PC	
6	00553690	Hex.bolt	12	PC	
7	00074300	Hose clamp	4	PC	
8	00112010	Hose	575mm	PC	
9	00967760	Cable tie	3	PC	
10	00102140	Hex. Nut	6	PC	
11	00102150	Washer	6	PC	
12	00861700	Spray tube	3	PC	
13	00854190	Hexagon screw	6	PC	
14	00112010	Hose	327mm	PC	
15	01056360	Cross connector	1	PC	
16	01274230	Carbon brush	1	PC	
17	01274300	Carbon brush housing	1	PC	

**Wiper part 1 (97115513-1)**

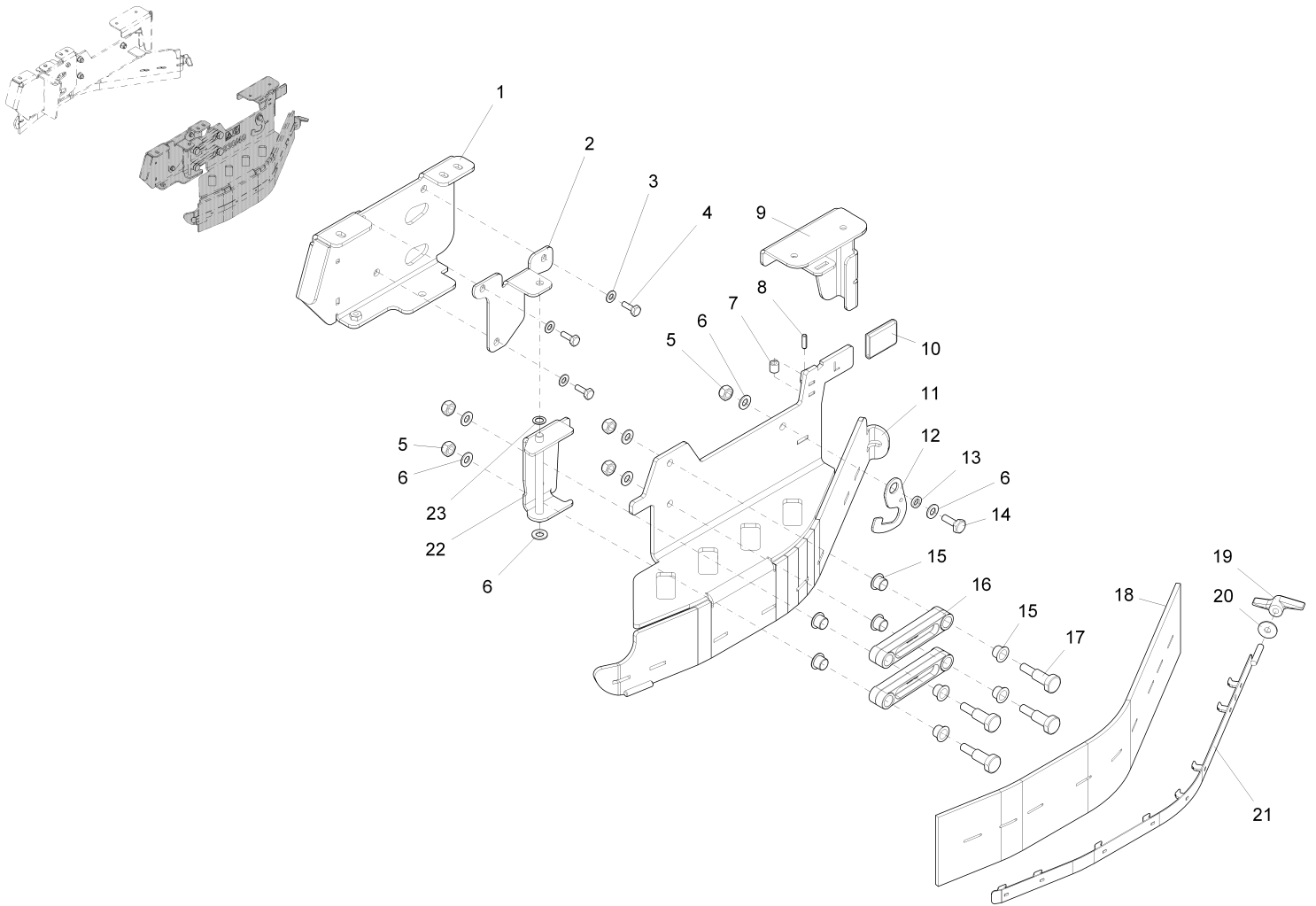




**Wiper part 1 (97115513-1)**

Item	Part number	Description	Qty.	Unit	Remarks
1	01073910	fitting screw	4	PC	
2	01073860	slide bearing bush	8	PC	
3	01073870	lever	2	PC	
4	01273790	Tension band	1	PC	
5	00042900	Washer	1	PC	
6	00101470	Wing nut	1	PC	
7	00053310	Hexagon screw	1	PC	
8	00053760	Washer	7	PC	
9	01074210	Bushing	1	PC	
10	01271200	Locking hook	1	PC	
11	00046440	Dowel pin	1	PC	
12	01074240	Cap	1	PC	
13	01271140	Retainer R.H.	1	PC	
14	00905570	Bushing	1	PC	
15	01273740	Squeegee R.H.	1	PC	
16	00051500	Hex. Nut	5	PC	
17	00053090	Hexagon screw	2	PC	
18	00053750	Washer	2	PC	
19	---	Spare part on request	1		
20	01273750	Retainer R.H.	1	PC	
21	01178980	Swivel arm R.H.	1	PC	
22	00130290	Adjusting washer	1	PC	

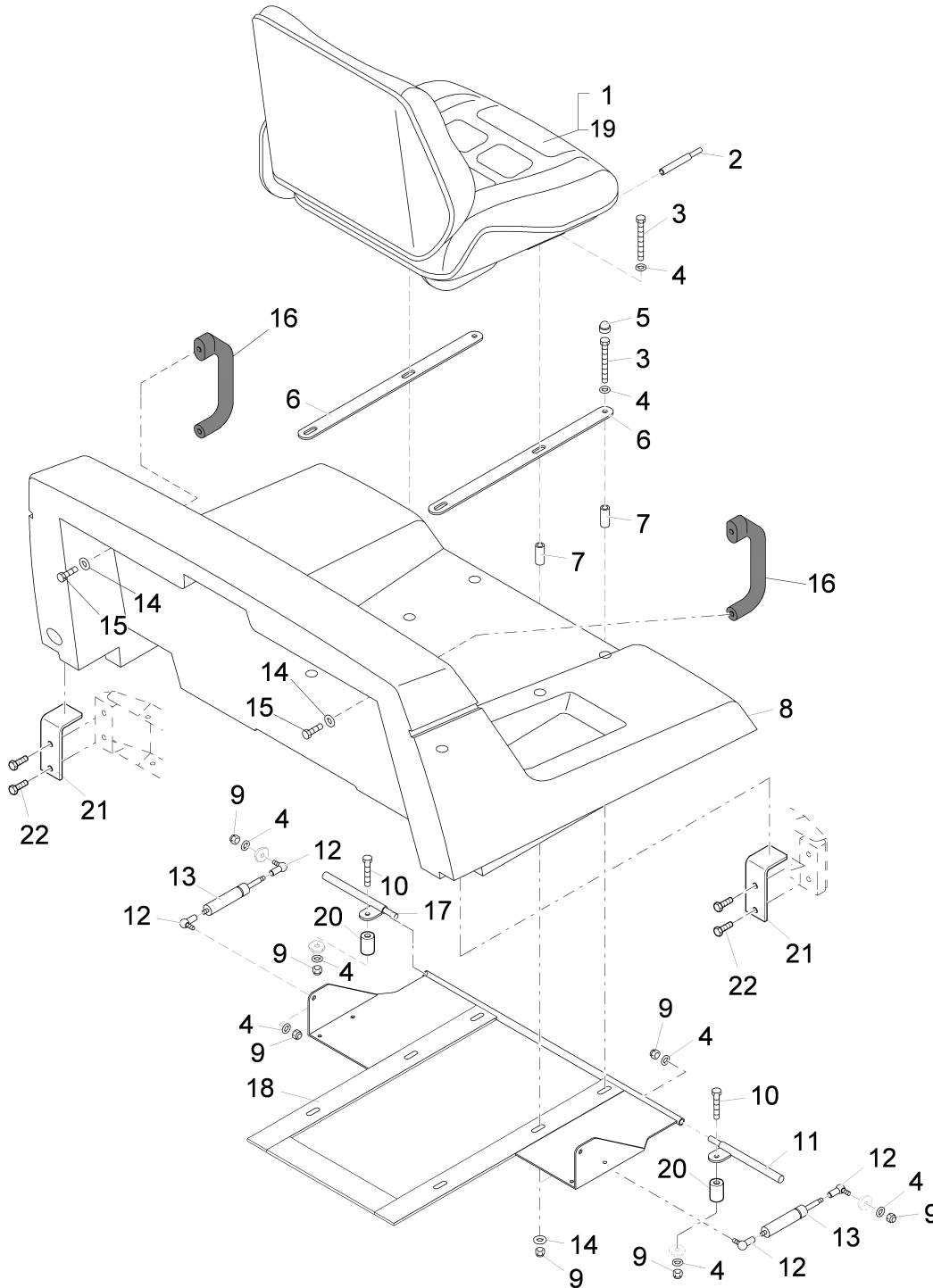
**Wiper part 2 (97115513-2)**



**Wiper part 2 (97115513-2)**

Item	Part number	Description	Qty.	Unit	Remarks
1	01271250	Retainer L.H.	1	PC	
2	---	Spare part on request	1		
3	00053750	Washer	3	PC	
4	00053090	Hexagon screw	3	PC	
5	00051500	Hex. Nut	1	PC	
6	00053760	Washer	2	PC	
7	00905570	Bushing	1	PC	
8	00046440	Dowel pin	1	PC	
9	01271130	Retainer L.H.	1	PC	
10	01074240	Cap	1	PC	
11	01273730	Squeegee L.H.	1	PC	
12	01271200	Locking hook	1	PC	
13	01074210	Bushing	1	PC	
14	00053310	Hexagon screw	1	PC	
15	01073860	slide bearing bush	8	PC	
16	01073870	lever	2	PC	
17	01073910	fitting screw	4	PC	
18	01073890	squeegee strip	1	PC	
19	00042900	Washer	1	PC	
20	00101470	Wing nut	1	PC	
21	01273790	Tension band	1	PC	
22	01178930	Swivel arm L.H.	1	PC	
23	00130290	Adjusting washer	1	PC	

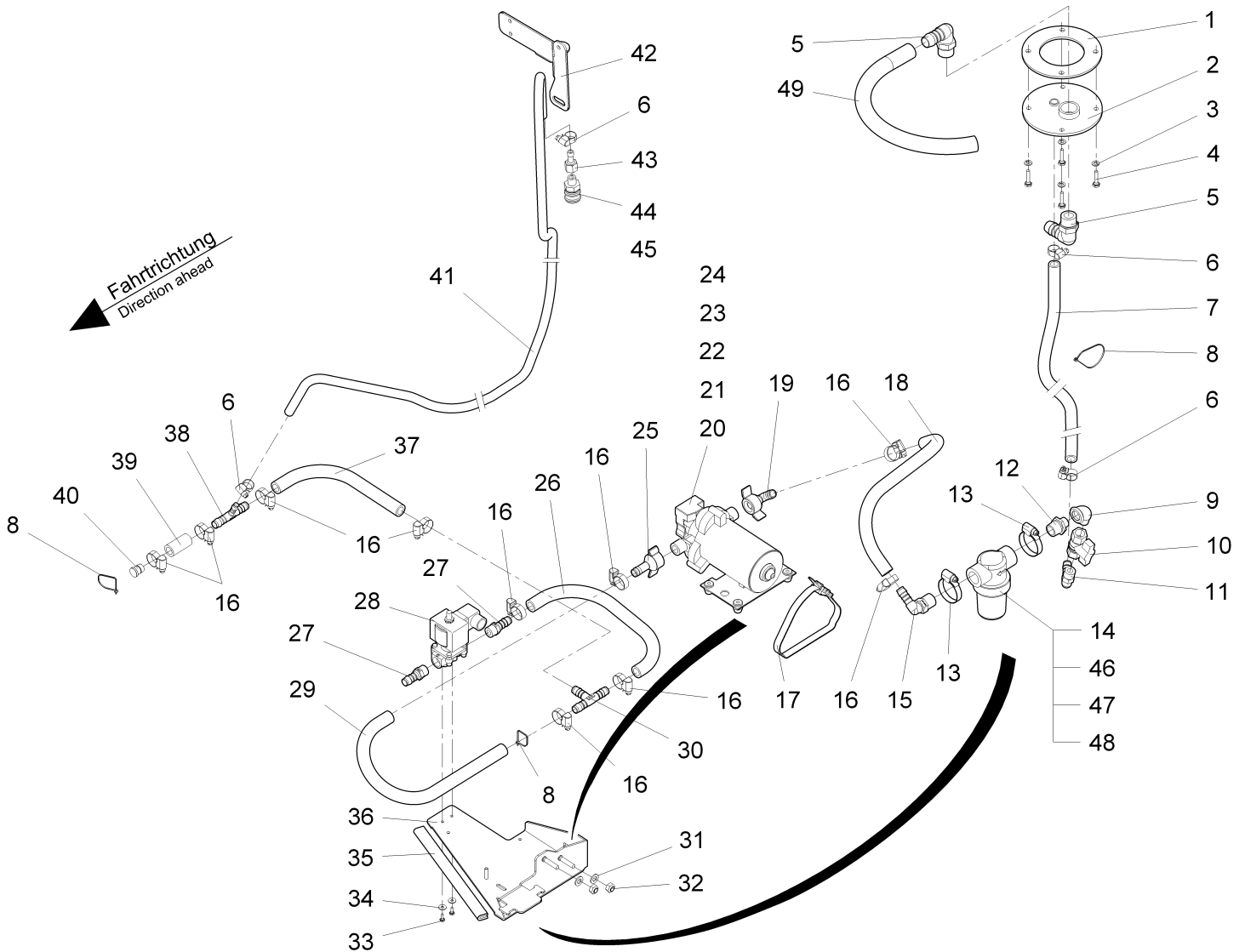
Seat group (97103477)



**Seat group (97103477)**

Item	Part number	Description	Qty.	Unit	Remarks
1	99709300	Comfort seat	1	PC	
2	00975210	Adapter	1	PC	
3	00557600	Hex.bolt	6	PC	
4	00053750	Washer	10	PC	
5	00131610	Lens cap	2	PC	
6	00980630	Fitting strip	2	PC	
7	00975110	Bushing	6	PC	
8	00035030	Seat console	1	PC	
9	00051510	Hex. Nut	12	PC	
10	00054690	Hexagon screw	2	PC	
11	00975190	Bolt L.H. (R.H. in travel direction!)	1	PC	
12	00527690	Angle joint	4	PC	
13	00975200	Gas spring	2	PC	
14	00042900	Washer	8	PC	
15	00053080	Hexagon screw	4	PC	
16	00959630	Grasp	2	PC	
17	00975180	Bolt R.H. (L.H. in travel direction!)	1	PC	
18	00037010	Seat console	1	PC	
19	00041420	Contact switch for seat, cpl.	1	PC	
20	01177830	Bushing	2	PC	
21	01177840	Angle	2	PC	
22	00053110	Hexagon screw	4	PC	

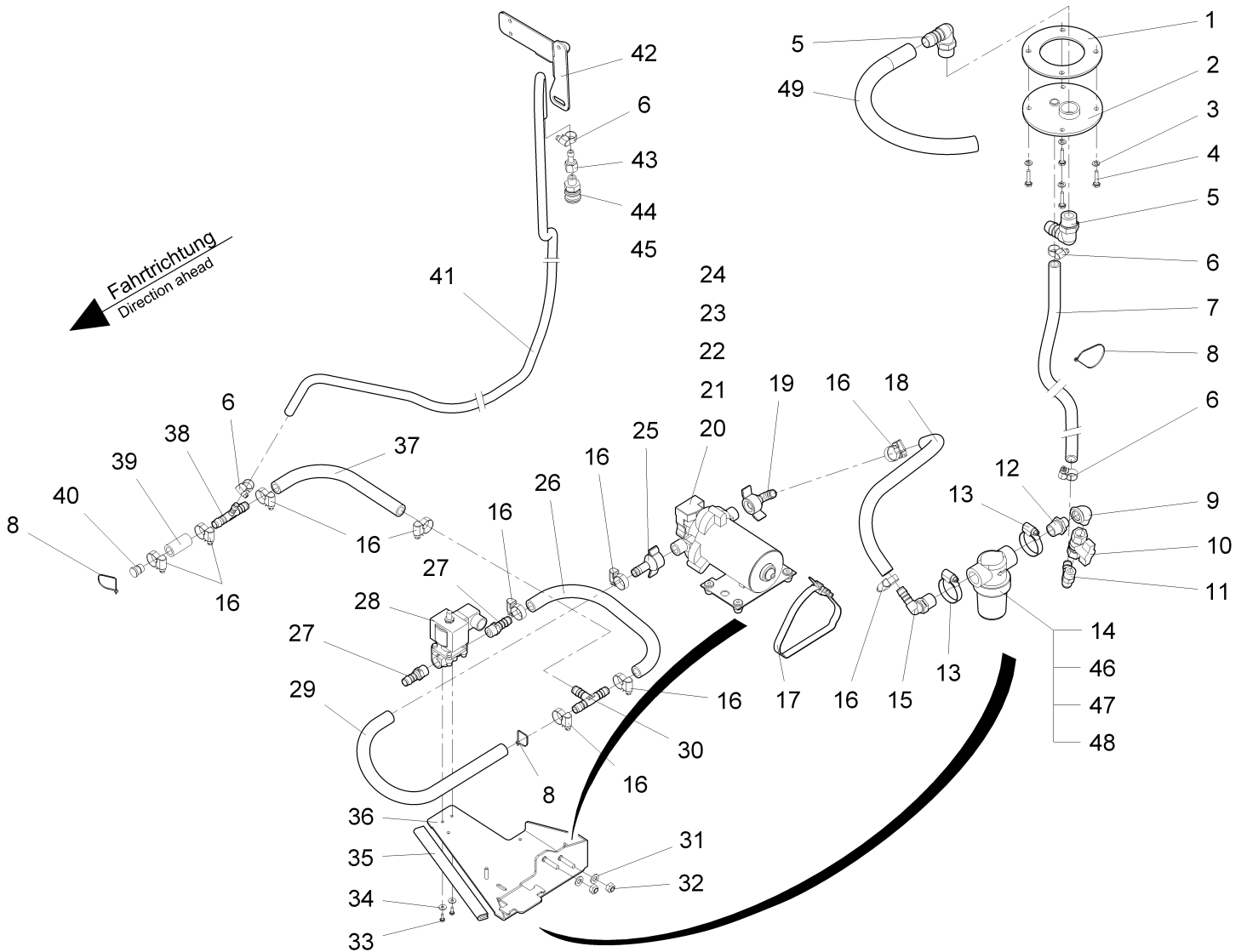
**Water circulation (97115448)**



**Water circulation (97115448)**

Item	Part number	Description	Qty.	Unit	Remarks
1	00976130	Seal	1	PC	
2	00976120	Plate	1	PC	
3	00053400	Lock washer	4	PC	
4	00053030	Hexagon screw	4	PC	
5	00059660	Angle socket	2	PC	
6	00074300	Hose clamp	4	PC	
7	00171030	Hose	0,690	M	
8	00121150	Cable tie	2	PC	
9	01015360	Angle	1	PC	
10	00952760	Ball tap	1	PC	
11	00020020	Angle socket	1	PC	
12	00521140	Double nipple	1	PC	
13	01071810	Hose clamp	2	PC	
14	01072850	Filter	1	PC	
15	00971440	Angle socket	1	PC	
16	01076220	Hose clamp	8	PC	
17	01073340	Cable tie	1	PC	
18	00200170	PVC hose	0,370	M	
19	00154140	Screwed angle fitting	1	PC	
20	00543750	Pump	1	PC	
21	00559670	Case	1	PC	
22	00083640	Plastic cover	1	PC	
23	00083650	Plastic cover	1	PC	
24	00903190	Tab	1	PC	
25	01071450	Screwing	1	PC	
26	00200170	PVC hose	0,350	M	
27	00976140	Screwing in connecting piece	2	PC	
28	01071000	Electrovalve	1	PC	
29	00200170	PVC hose	0,370	M	
30	00976160	T-piece	1	PC	
31	00053750	Washer	2	PC	
32	00051510	Hex. Nut	2	PC	
33	00058580	Hex.bolt	2	PC	
34	00557150	Washer	2	PC	
35	00161240	Edge protection	0,235	M	
36	---	Spare part on request	1		

**Water circulation (97115448)**

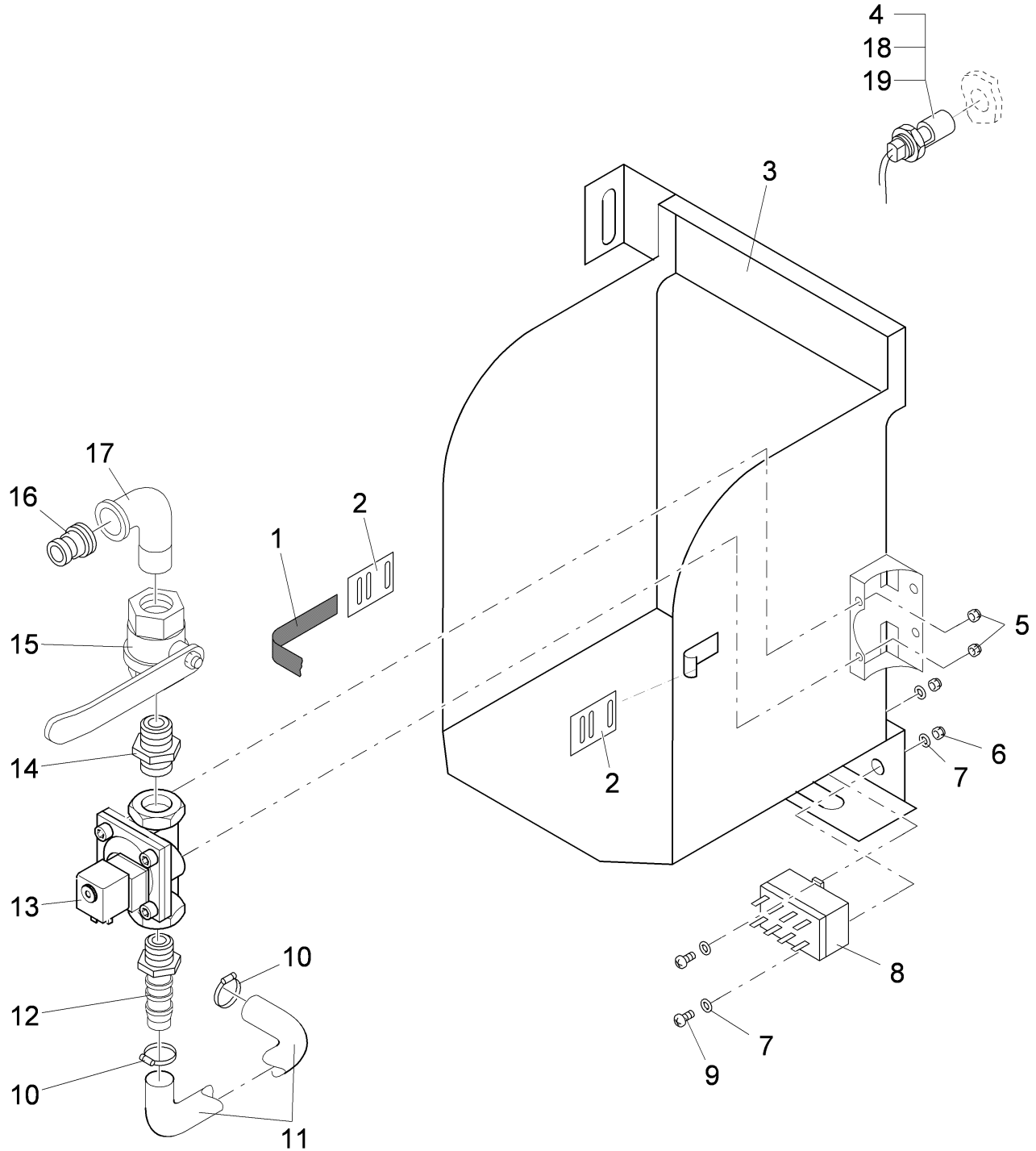




**Water circulation (97115448)**

Item	Part number	Description	Qty.	Unit	Remarks
37	00200170	PVC hose	0,235	M	
38	01073020	T-piece	1	PC	
39	00200170	PVC hose	0,040	M	
40	---	Spare part on request	1		
41	00562480	Spiral hose	1,890	M	
42	---	Spare part on request	1		
43	00552600	Hose nipple	1	PC	
44	00552590	Quick hitch	1	PC	
45	03007630	Sealing band	1	M	
46	01071010	Filter insert	1	PC	
47	01072830	Sealing ring	1	PC	
48	01072840	Straining cap	1	PC	
49	00431370	Pressure hose	0,400	M	

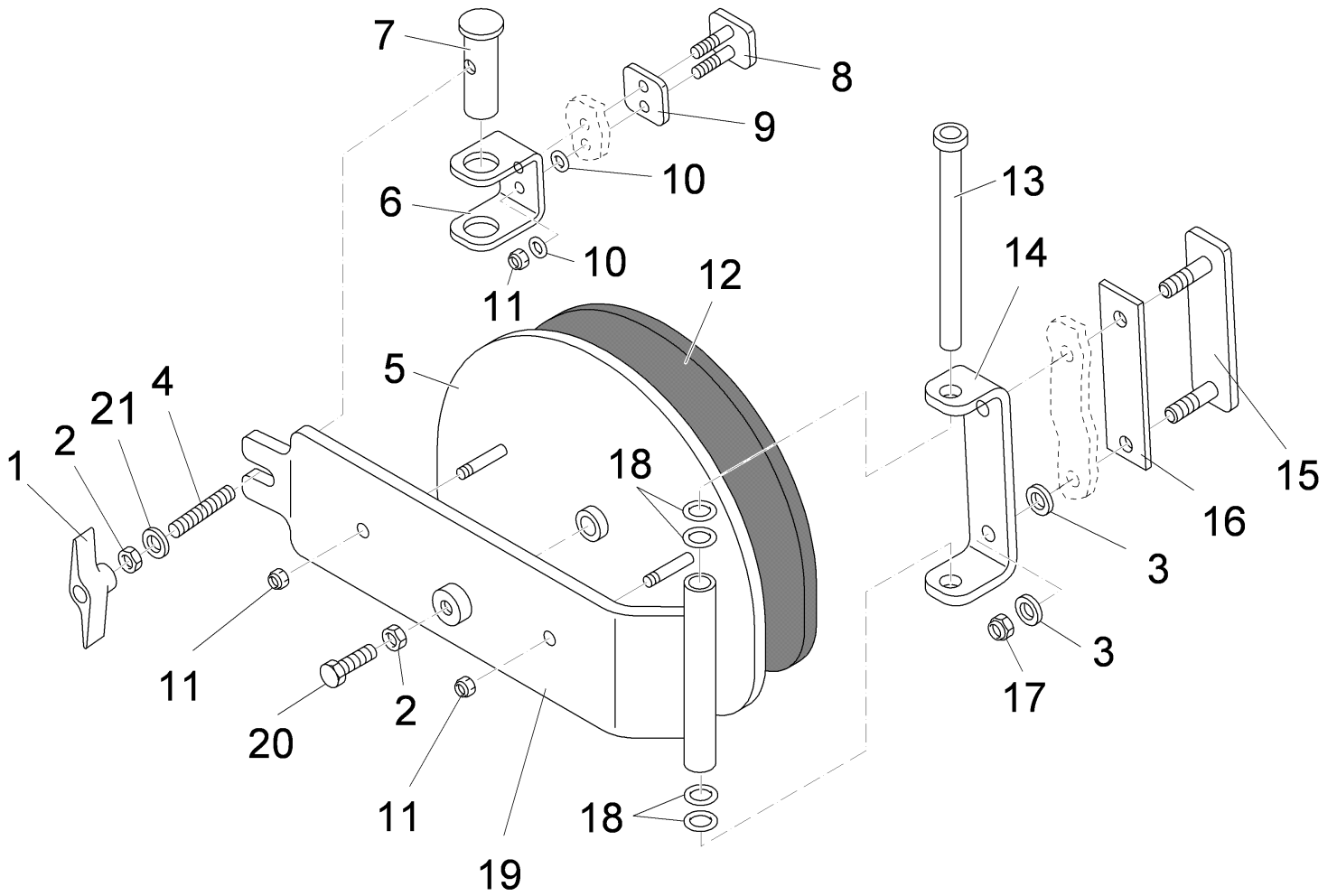
Automatic load (97075220)



**Automatic load (97075220)**

Item	Part number	Description	Qty.	Unit	Remarks
1	00059890	Tightening strap	1	PC	
2	00109580	Bracket	2	PC	
3	03009380	Retainer	1	PC	
4	00959650	Float switch	1	PC	
5	00051340	Hex. Nut	2	PC	
6	00022200	Hex. Nut	2	PC	
7	00553740	Washer	4	PC	
8	00059550	Relay	1	PC	
9	00535780	Fillister-head screw	2	PC	
10	00874590	Hose clamp	2	PC	
11	00671820	Hose	0,500	M	
12	01070650	Screwing in connecting piece	1	PC	
13	00651240	Electrovalve	1	PC	
14	00521120	Double nibble	1	PC	
15	00130600	Ball tap	1	PC	
16	00523740	Equipment piece	1	PC	
17	00130670	Angle	1	PC	
18	00083640	Plastic cover	2	PC	
19	00559670	Case	2	PC	

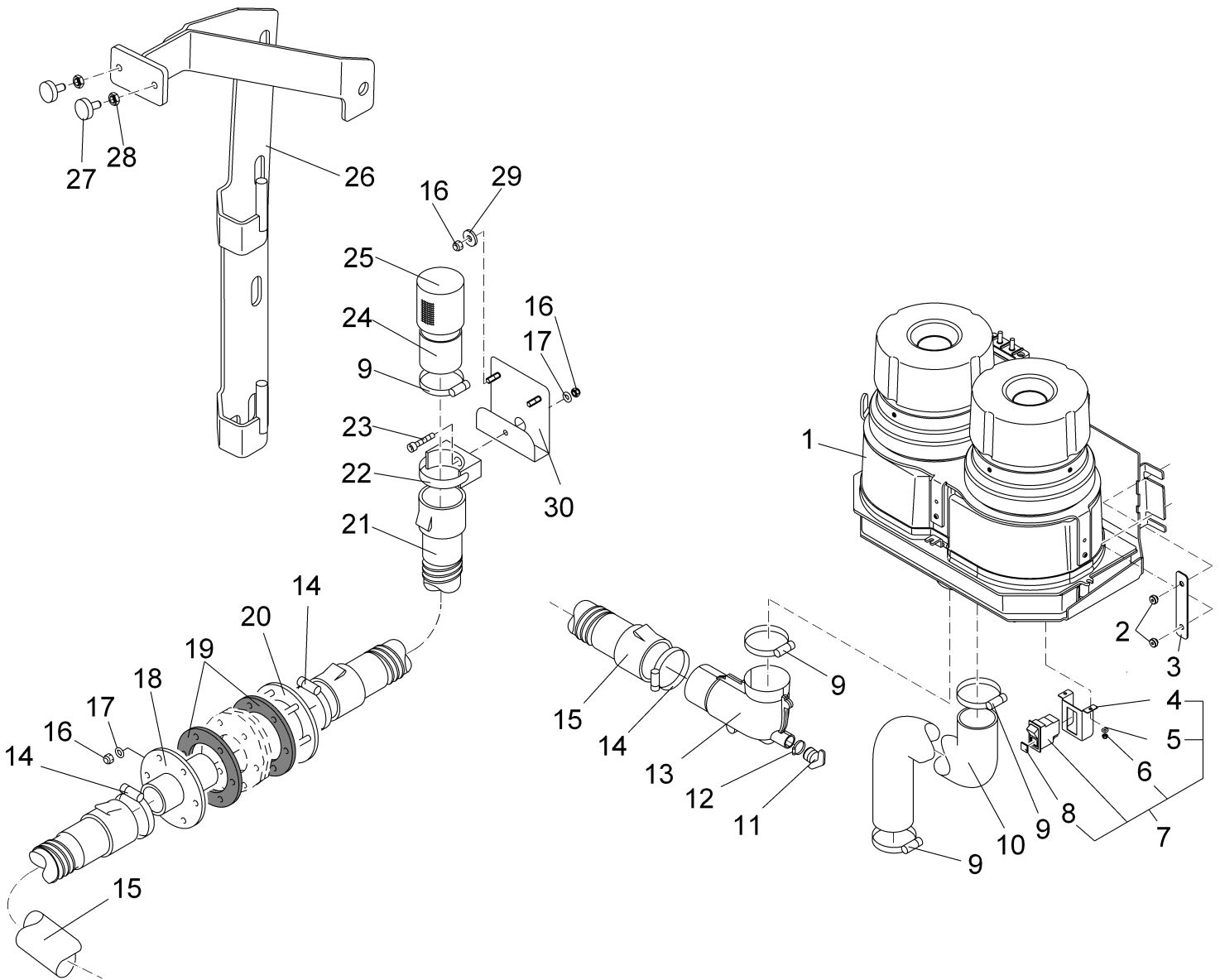
Flap (Hopper) (97042535)



**Flap (Hopper) (97042535)**

Item	Part number	Description	Qty.	Unit	Remarks
1	00101470	Wing nut	1	PC	
2	00053350	Hex. Nut	2	PC	
3	00053750	Washer	4	PC	
4	00902600	Threaded bolt	1	PC	
5	00980820	Flap	1	PC	
6	00976090	Angle	1	PC	
7	00976100	Bolt	1	PC	
8	00975560	Bolt	1	PC	
9	00976070	Seal	1	PC	
10	00053730	Washer	4	PC	
11	00051520	Hex. Nut	4	PC	
12	00975600	Seal	1	PC	
13	00975590	Bolt	1	PC	
14	00976110	Angle	1	PC	
15	00975570	Plate	1	PC	
16	00976080	Seal	1	PC	
17	00051510	Hex. Nut	2	PC	
18	00557340	Adjusting washer	4	PC	
19	00975580	Handle	1	PC	
20	00133700	Hexagon screw	1	PC	
21	00042900	Washer	1	PC	

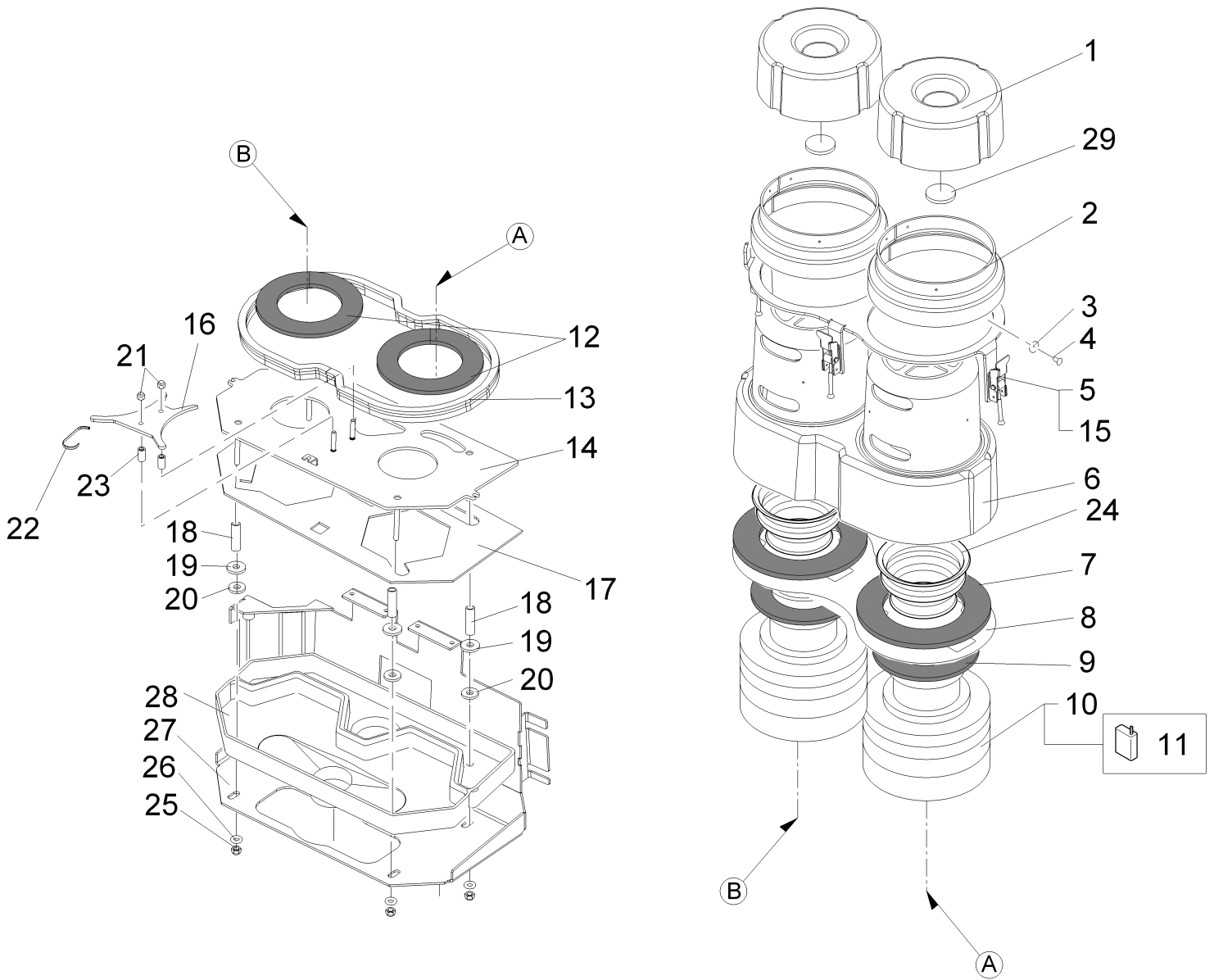
**Suction unit (97075337)**



**Suction unit (97075337)**

Item	Part number	Description	Qty.	Unit	Remarks
1	<b>03010560</b>	<b>Aspirator</b>	Page	<b>80</b>	
2	00903210	Knurled nut	2	PC	
3	01177700	Sheet metal	1	PC	
4	00952770	Retainer	1	PC	
5	00053710	Washer	2	PC	
6	00133830	Hex. Nut	2	PC	
7	00009050	Retool kit SWITCH filling HM B 1100	1	PC	see circular letter KUD 32-11.01.2008
8	01060610	Symbol GREEN	1	PC	
9	00732130	Hose clamp	2	PC	
10	00431380	Hose	1	PC	
11	00054560	Valve	1	PC	
12	00733160	Hose clamp	1	PC	
13	01070530	Arc	1	PC	
14	00522160	Hose clamp	4	PC	
15	00770500	Hose	1	PC	
16	00051520	Hex. Nut	11	PC	
17	00053730	Washer	7	PC	
18	01070540	Pipe	1	PC	
19	00976260	Seal	1	PC	
20	00976220	Flange	1	PC	
21	00321090	Hose	1	PC	
22	00522150	Pipe clamp	1	PC	
23	00501430	Socket head screw	1	PC	
24	01070550	Pipe	1	PC	
25	01070520	Filter screen	1	PC	
26	01177690	Retainer	1	PC	
27	00127470	Buffer	2	PC	
28	00053330	Hex. Nut	6	PC	
29	00135120	Washer	4	PC	
30	01070560	Support	1	PC	

Aspirator (03010560)

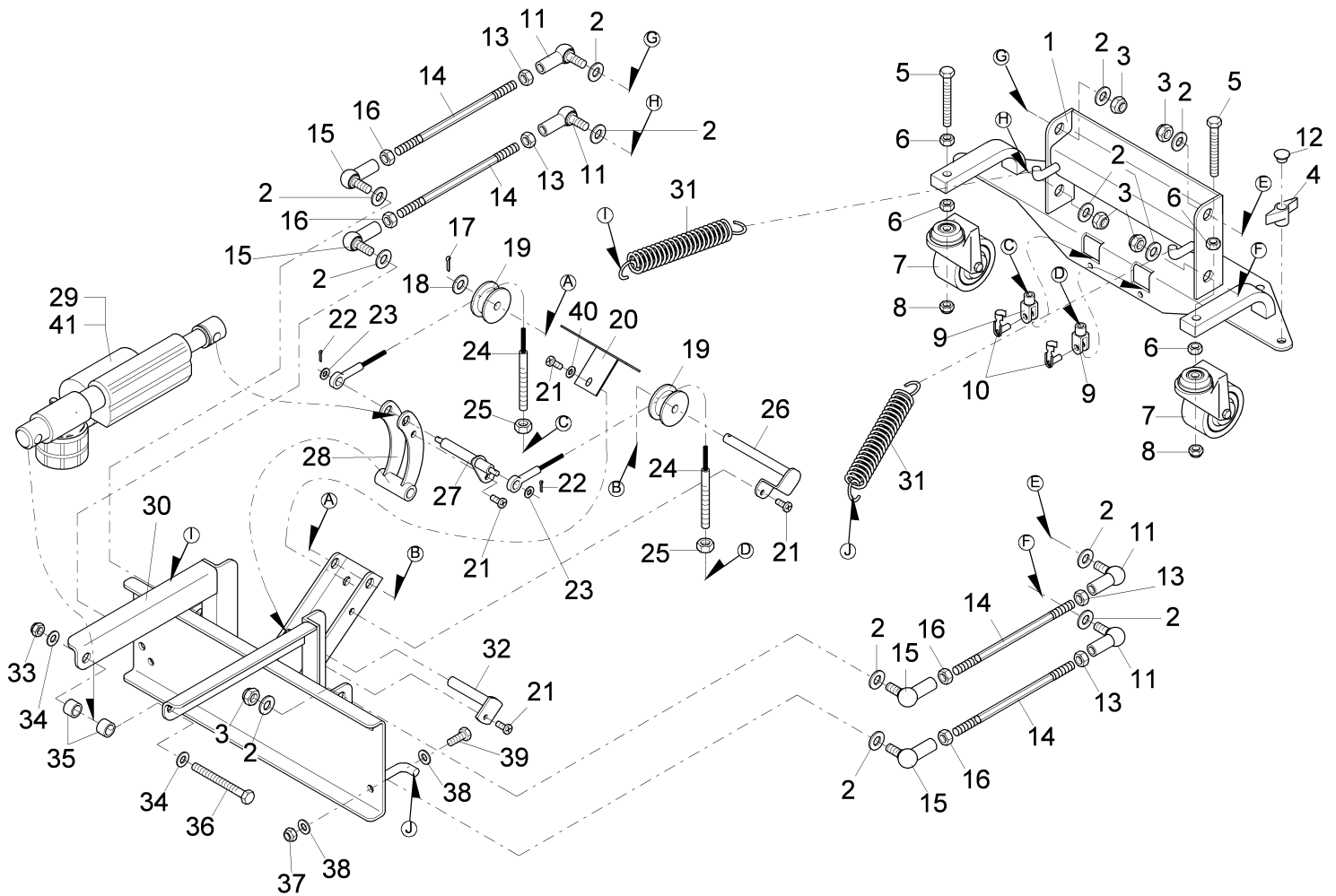




**Aspirator (03010560)**

Item	Part number	Description	Qty.	Unit	Remarks
1	01070600	Hood	2	PC	
2	01070620	Ring	2	PC	
3	00553740	Washer	8	PC	
4	00131600	Rivet	8	PC	
5	01070760	Sheet metal	1	PC	Only for HKM B 1100 (until ser.no.: 7580.02.1.0570.5)
6	01070610	Covering	1	PC	
7	01070580	Seal	2	PC	
8	01076820	Sheet metal	1	PC	
9	01070590	Seal	2	PC	
10	00911380	Turbine	2	PC	
11	00049810	Carbon brush	2	PC	
12	00130570	Seal	2	PC	
13	00752350	Edge protection	1,060	M	
14	01076830	Sheet metal	1	PC	
15	01079340	Sheet metal	1	PC	For HKM B 1100 (from ser.no.: 7580.02.1.0571.5) and HKM B 1050
16	01177680	Plate	1	PC	
17	01070640	Gasket	1	PC	
18	01177670	Pipe	4	PC	
19	00074230	Washer	4	PC	
20	00100720	Washer	4	PC	
21	00051520	Hex. Nut	11	PC	
22	00967760	Cable tie	2	PC	
23	---	Spare part on request	2		90567454 Pipe
24	01178490	Connection	2	PC	
25	00051510	Hex. Nut	4	PC	
26	00053750	Washer	4	PC	
27	01070630	sheet metal	1	PC	
28	01073180	Tub	1	PC	
29	01178510	Gasket	2	PC	

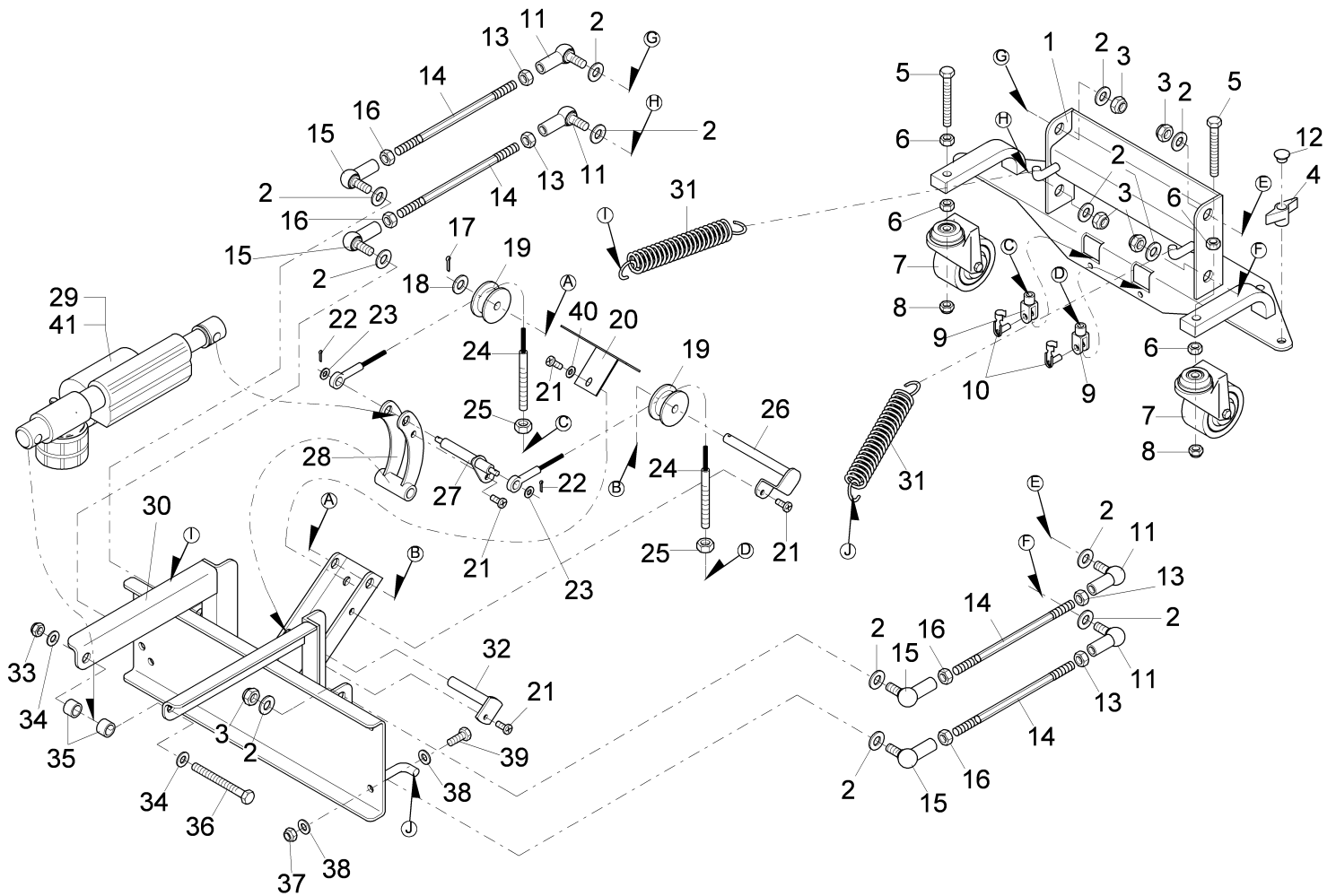
Lifting assy for suction (97042345)



**Lifting assy for suction (97042345)**

Item	Part number	Description	Qty.	Unit	Remarks
1	00910170	Support	1	PC	
2	00053780	Washer	8	PC	
3	00044420	Hex. Nut	8	PC	
4	00101470	Wing nut	4	PC	
5	00864080	Hex.bolt	2	PC	
6	00053360	Hex. Nut	2	PC	
7	00471600	Steering roller	2	PC	Caution! New version! Please change all rollers when different!
8	00051500	Hex. Nut	2	PC	
9	00851570	Fork yoke	2	PC	
10	00851590	Bolt	2	PC	
11	00101440	Hinged joint	4	PC	
12	00902300	Drain plug	4	PC	
13	00101480	Hex. Nut	4	PC	
14	00974320	Threaded rod	4	PC	
15	00522370	Hinged joint	4	PC	
16	00053740	Hex. Nut	4	PC	
17	00553580	Cotter pin	1	PC	
18	00053730	Washer	1	PC	
19	00972140	Roller	2	PC	
20	00972160	Angle	1	PC	
21	00959220	Screw	3	PC	
22	00534540	Cotter pin	2	PC	
23	00053770	Washer	2	PC	
24	00972150	Pull of the rope	2	PC	
25	00053330	Hex. Nut	2	PC	
26	00972120	Bolt	1	PC	
27	00972090	Bolt	1	PC	
28	00972100	Pipe	1	PC	
29	00650200	Lifting spindle	1	PC	
30	00910160	Support	1	PC	
31	00522290	Tension spring	2	PC	
32	00972110	Bolt	1	PC	
33	00051490	Hex. Nut	1	PC	
34	00053770	Washer	2	PC	
35	00972130	Spreader tube	2	PC	

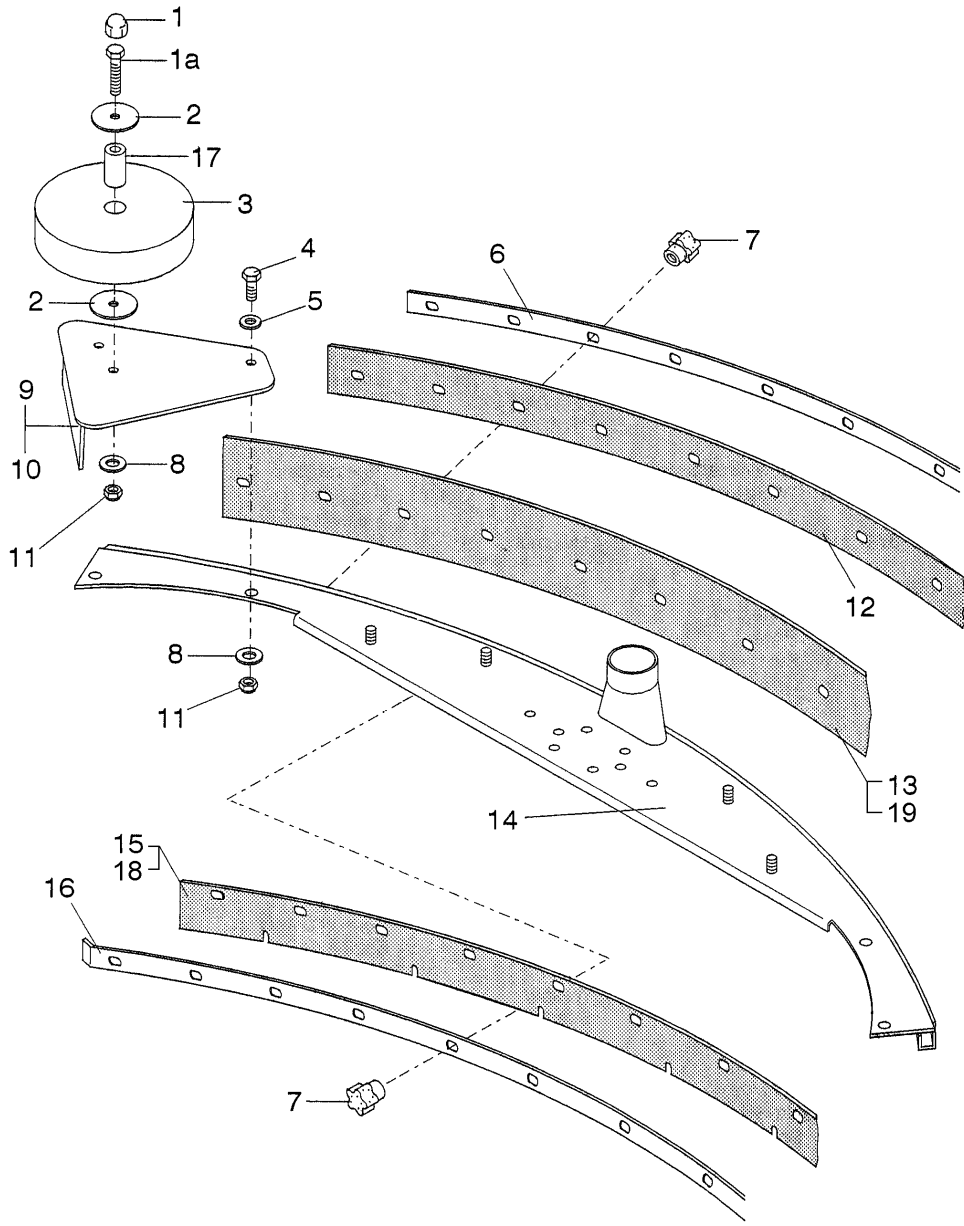
Lifting assy for suction (97042345)



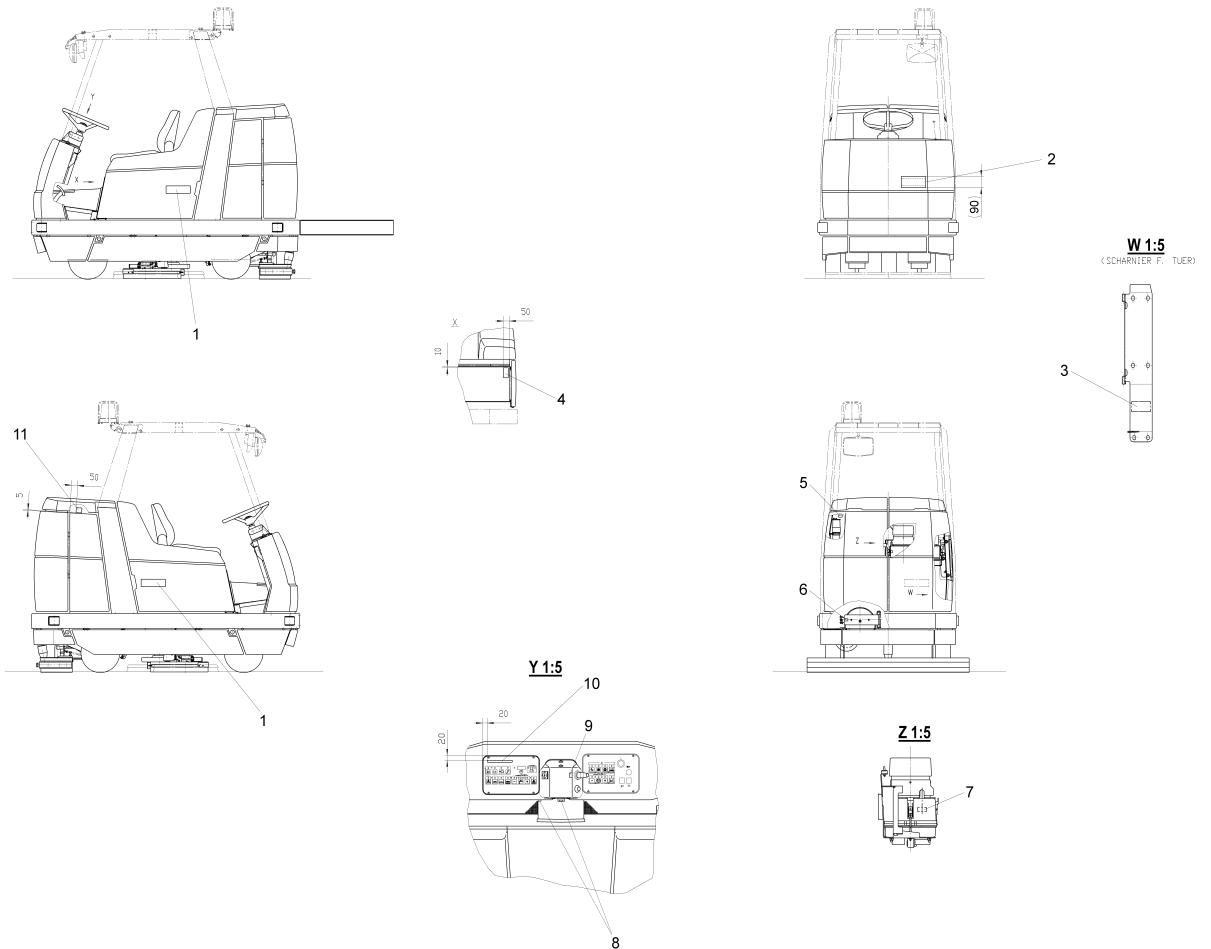
**Lifting assy for suction (97042345)**

Item	Part number	Description	Qty.	Unit	Remarks
36	00105390	Hex.bolt	1	PC	
37	00051510	Hex. Nut	2	PC	
38	00042900	Washer	2	PC	
39	00053100	Hexagon screw	2	PC	
40	00555520	Washer	1	PC	
41	00962620	Clamp	1	PC	

**Squeegee (97042360)**



Labels (97120240)

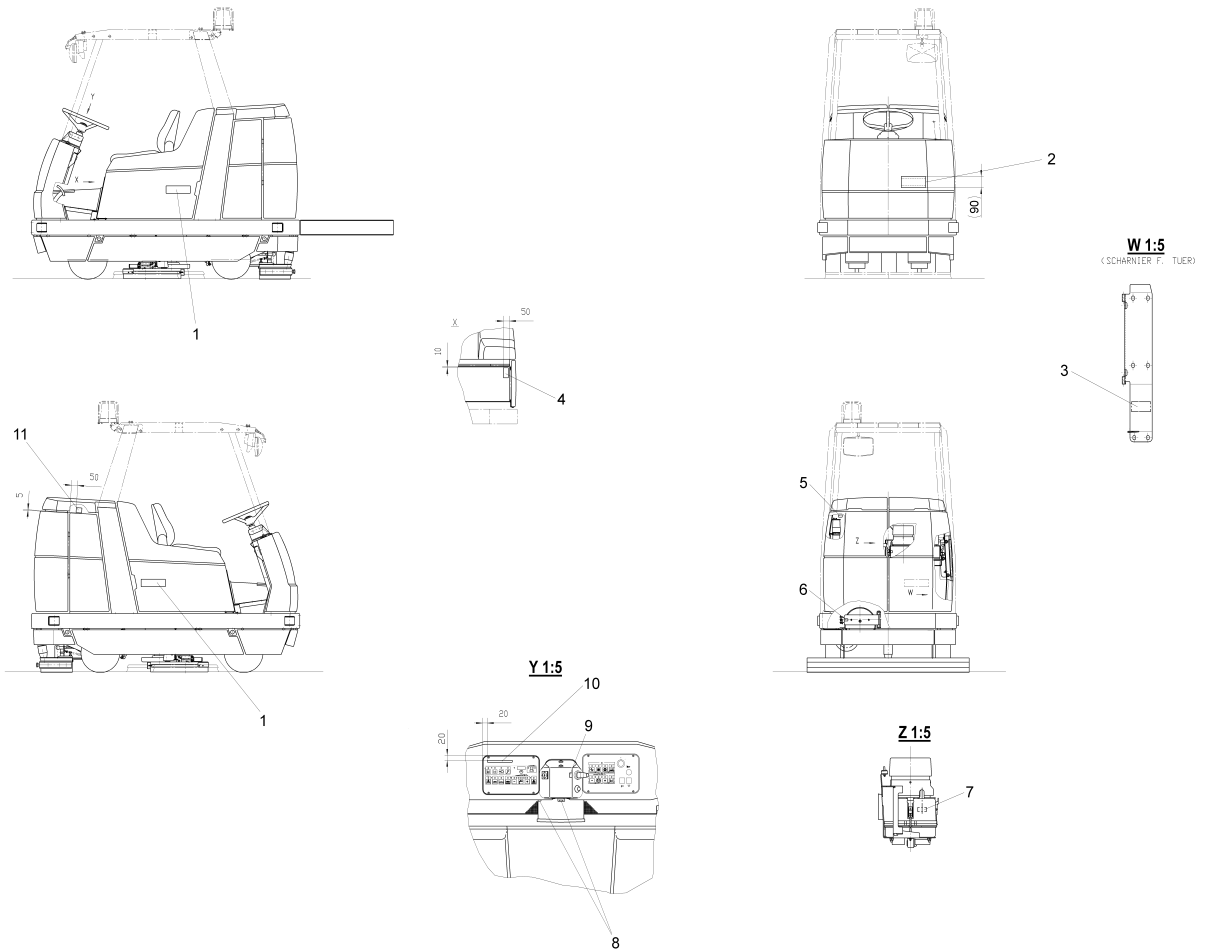


**Squeegee (97042360)**

Item	Part number	Description	Qty.	Unit	Remarks
1	00131610	Lens cap	2	PC	
1a	00053260	Hex.bolt	2	PC	
2	00878400	Washer	4	PC	
3	00972170	Roller	2	PC	
4	00053100	Hexagon screw	4	PC	
5	00053750	Washer	4	PC	
6	00244970	Sheet metal	1	PC	
7	00853730	Star handle	14	PC	
8	00042900	Washer	6	PC	
9	00910140	Plate L.H.	1	PC	
10	00910180	Plate R.H.	1	PC	
11	00051510	Hex. Nut	6	PC	
12	00411600	Supporting border	1	PC	
13	00411580	Sealing strip	1	PC	
14	00035180	Squeegee	1	PC	
15	00411620	Sealing strip	1	PC	
16	00244980	Sheet metal	1	PC	
17	00972180	Sleeve	2	PC	
18	01077090	Sealing strip front	1	PC	
19	01077100	Sealing strip rear	1	PC	



Labels (97120240)



## Warranty Information

Revision G  
Effective September 2010  
PowerBoss Made Simple Industrial Limited Warranty

Minuteman International owner of PowerBoss warrants to the original purchaser/user that the product is free from defects in workmanship and materials under normal use. PowerBoss will, at its option, repair or replace without charge, parts that fail under normal use and service when operated and maintained in accordance with the applicable operation and instruction manuals. All warranty claims must be submitted through and approved by factory authorized repair stations.

This warranty does not apply to normal wear, or to items whose life is dependent on their use and care. Parts not manufactured by PowerBoss are covered by and subject to the warranties and/or guarantees of their manufacturers. Please contact Minuteman International for procedures in warranty claims against these manufacturers.

**Special warning to purchaser** – Use of replacement parts not manufactured by PowerBoss or its designated licensees, will void all warranties expressed or implied. A potential health hazard exists without original equipment replacement.

All warranted items become the sole property of Minuteman International or PowerBoss or its original manufacturer, whichever the case may be.

PowerBoss disclaims any implied warranty, including the warranty of merchantability and the warranty of fitness for a particular purpose. PowerBoss assumes no responsibility for any special, incidental or consequential damages.

This limited warranty is applicable only in the U.S.A. and Canada, and is extended only to the original user/purchaser of this product. Customers outside the U.S.A. and Canada should contact their local distributor for export warranty policies. PowerBoss is not responsible for costs or repairs performed by persons other than those specifically authorized by PowerBoss. This warranty does not apply to damage from transportation, alterations by unauthorized persons, misuse or abuse of the equipment, use of non-compatible chemicals, or damage to property, or loss of income due to malfunctions of the product. If a difficulty develops with this machine, you should contact the dealer from whom it was purchased.

This warranty gives you specific legal rights, and you may have other rights, which vary from state to state. Some states do not allow the exclusion or limitation of special, incidental or consequential damages, or limitations on how long an implied warranty lasts, so the above exclusions and limitations may not apply to you.

	Travel*	Labor	Parts	Engine	Extended Warranty	Costs
<b>Walk behinds</b>						
Battery sweepers	Ninety days	One year	One year	N/A	2 years Parts + Labor (or 2000 Hours)	2%
IC sweepers	Ninety days	One year	One year	Through manufacturer	2 years Parts + Labor (or 2000 Hours)	2%
Battery scrubbers	Ninety days	Two years	Three years	N/A	3 Years Parts + Labor (or 3000 Hours)	2%
<b>Riders</b>						
Battery scrubbers	Ninety days	Two years	Three years/2000 hrs	N/A	3 Years Parts + Labor (or 3000 Hours)	2%
IC sweeper/scrubbers	Ninety days	Six months	Two years/2000 hrs	Two years/3000 hrs**	2 years Parts + Labor (or 2000 Hours)	3%
IC sweepers	Ninety days	Six months	Four years/3000 hrs	Five years/3000 hrs**	4 Years Parts + 2 Years Labor (or 4000 Hours)	3%
<b>Exceptions</b>						
Apex series sweeper	Ninety days	One year	One year/1000 hrs	One year/1000 hrs**	2 years Parts + Labor (or 2000 Hours)	3%
6X sweeper	Ninety days	Six months	Two years/2000 hrs	Two years/2000 hours**	2 years Parts + Labor (or 2000 Hours)	3%
<b>Other Products</b>						
QRE-3001A	Ninety days	Six months	Two years/2000 hrs	Two years/3000 hours**	2 years Parts + Labor (or 2000 Hours)	3%

Tank Bladders Eight years/ no additional labor  
Polyethylene plastic tanks Ten years/ no additional labor  
Batteries 0-3 months full replacement, 4-12 prorated credit  
Chargers One-year replacement  
Replacement parts Ninety days  
\*Two-hour cap

\*\*Through engine manufacturer. See section 3 of warranty manual for engine warranty exceptions

\*\*\* Based upon dealer's certification status

Extended Warranty MUST be signed up within 30 days of delivery to End User (Dealer has 1Year from Receiving Machine to Sign up extended Warranty)

Extended Warranty Cost is based on Invoice Price multiplied by the Percentage listed in the Extended Warranty Column

*All above labor and travel reimbursed at 65 or 75% of the published shop rate.*





***“The Power of Clean”***

**PowerBoss Is A Full Line Manufacturer Of Sweepers and Scrubbers For Industrial Facilities.**

PowerBoss, Inc 175 Anderson Street P.O. Box 1227- Aberdeen North Carolina 28315

Phone: 800-982-7141 - Fax: 1-800-277-7141 Local: 910-944-2105 Fax: 910-944-7409 e-mail: [techsupport@powerboss.com](mailto:techsupport@powerboss.com)

**A Member Of The Hako Group**