

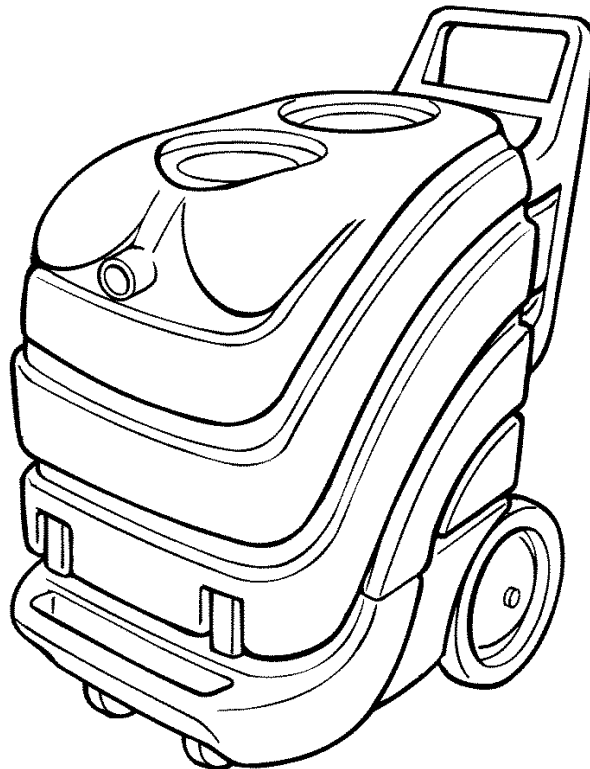


# 1160

Carpet Extractor

**Model No.:**  
**607675 – 120V**  
**607676 – 120V (Pac)**  
**609562 – 230V**

**Operator and Parts Manual**

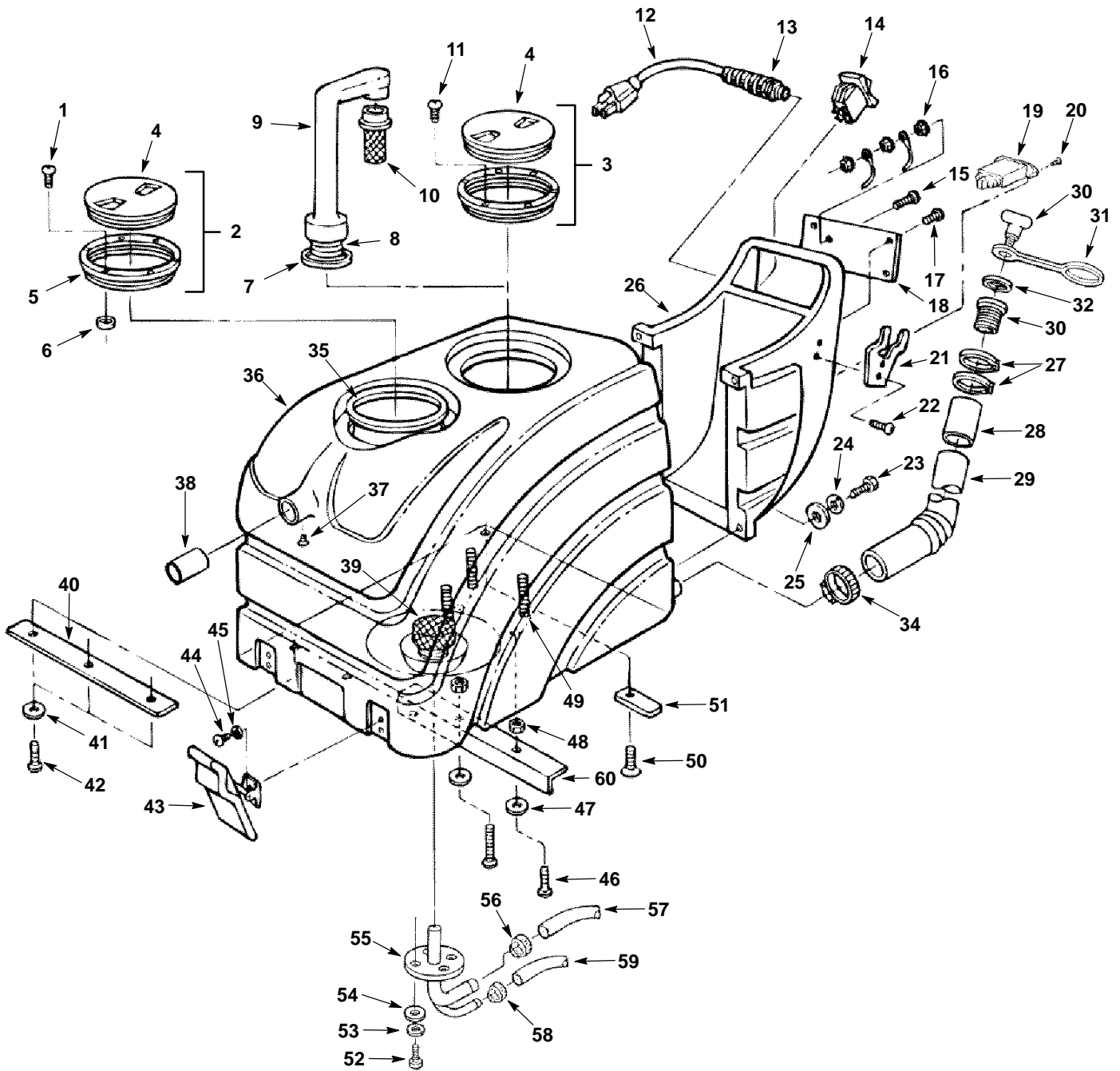


**TENNANT COMPANY**  
**Commercial Products**  
12875 RANSOM STREET  
HOLLAND MI 49424 U.S.A.

FAX: 1-800-678-4240  
CUSTOMER SERVICE: 1-800-982-7658

**607691**  
**Rev. 01 (01-00)**

TANK ASSEMBLY



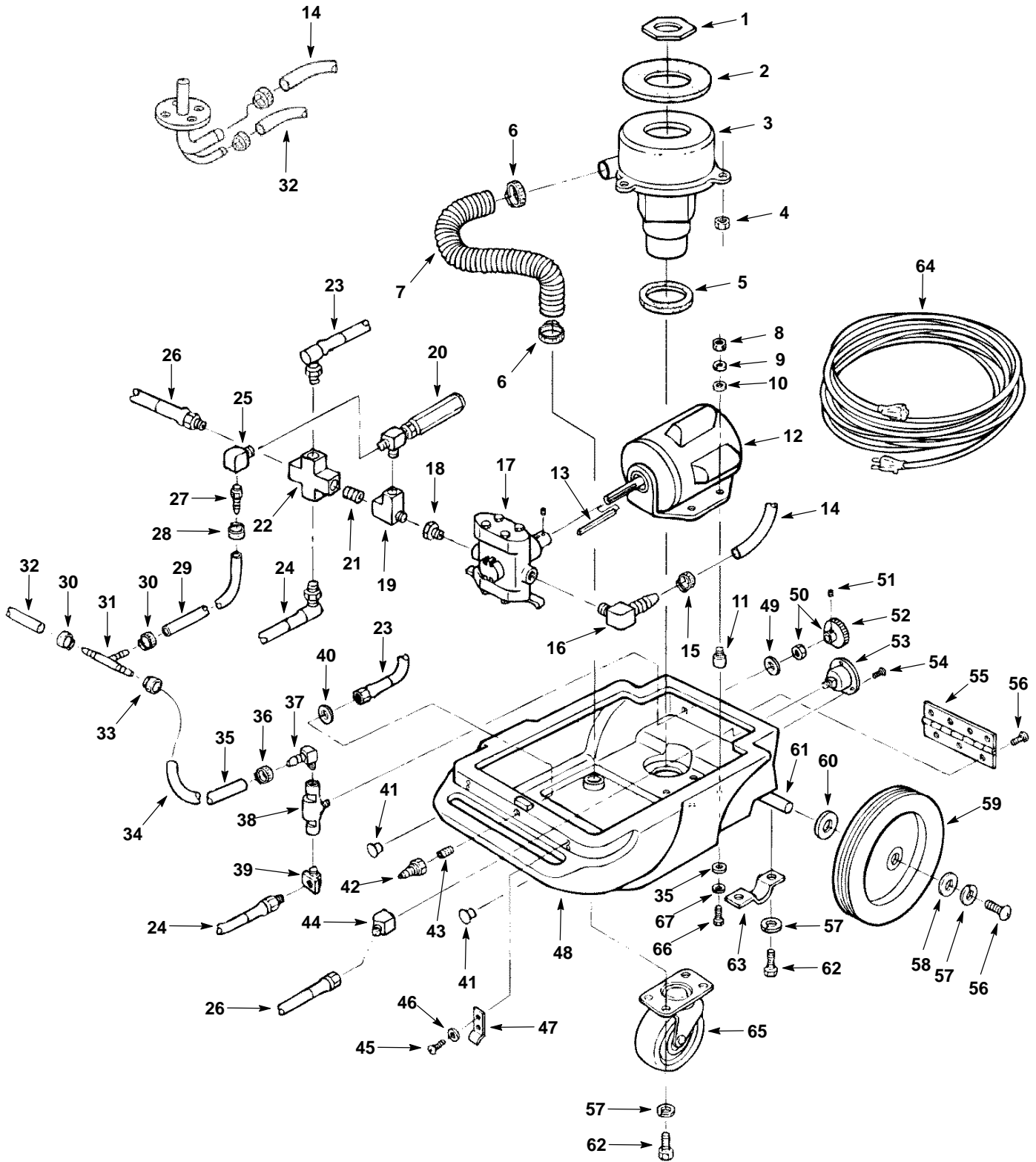
## TANK ASSEMBLY

REF	PART #	DESCRIPTION	QTY.
1	140900	SCREW, 10-24 X 3/4	6
∇2	100103	LID, CLEAR W/COUNTERSUNK HOLE	1
∇3	100102	LID, CLEAR W/STANDARD HOLE	1
▲4	100105	LID, CENTER	2
▲5	100109	LID, OUTER RING BLACK	2
6	140000	WASHER, FLAT 1.4"	6
7	101714	GASKET	1
8	230187	NIPPLE, 1 1/2" PVC	1
9	602448	STANDPIPE	1
10	180613	SCREEN, FLOAT SHUT-OFF	1
11	140825	SCREW, #6 X 1/2"	6
12	130227	CORD, 14/3 X 20" YELLOW (120V)	1
	600324	CORD, 3 X 1.5MM 2 X 15M BLACK (230V)	1
13	130166	CORD GRIP (120V)	1
	130167	CORD GRIP (230V)	1
14	19417	SWITCH, ON/OFF	1
15	140900	SCREW, 10-24 X 3/4	1
16	140519	NUT, KEP 10-24	3
17	140837	SCREW, 10-24 X 3/8"	4
18	230908.BK	PLATE, REAR	1
19	130017	HOURMETER (120V)	1
	604745	HOURMETER (230V)	1
20	140825	SCREW, 10-24 X 3/8"	4
21	230696.BK	BRACKET, DRAIN HOSE	1
22	140825	SCREW, #6 X 1/2"	2
23	140231	SCREW, 3/8 X 1-1/2	4
24	140017	WASHER, LOCK 3/8"	4
25	140028	WASHER, FLAT 3/8"	4
26	607688	HANDLE, HOUSING, TEAL	1
∇	190965	KIT, DRAIN HOSE ASM.	1
▲27	140072	CLAMP, EAR 1-9/16"	2
▲28	140921	SLEEVE, DRAIN HOSE	1
▲29	160627	HOSE, DRAIN	1
▲∇	701061	ASM., DRAIN HOSE STOPPER	1
▲30	230831	KNOB, DRAIN HOSE	1
▲31	230882	STRAP, RUBBER	1
▲32	140056	WASHER	1
▲33	140955	PLUG	1

REF	PART #	DESCRIPTION	QTY.
34	140307	CLAMP, HOSE	1
35	602783	BLADDER, SOLUTION TANK	1
36	607686	TANK, RECOVERY, TEAL	1
37	140703	RIVET, POP	1
38	230905	TUBE, INLET	1
39	180628	SCREEN, CLEAN WATER TANK	1
40	230946	BRACE, TANK	1
41	140016	WASHER, LOCK 1/4"	3
42	140259	SCREW, 1/4" 20 X 5/8	3
43	140932	LATCH, RUBBER	2
44	140801	SCREW, 8-32 X 3/8	4
45	140023	WASHER, INT LOCK #8	4
46	140208	SCREW, 1/4-20 X 1	2
47	140016	WASHER, LOCK 1/4"	2
48	140134	SPACER	2
49	140258	STUD	3
50	140834	SCREW, 1/4-20 X 5/8	1
51	230845	PLATE, CORD CLAMP	1
52	140259	SCREW, 1/4-20 X 5/8	4
53	140016	WASHER, LOCK	4
54	140000	WASHER, FLAT	4
55	600452	PLATE, BLADDER	1
56	140310	CLAMP, HOSE	1
57	603051	HOSE, 1/2" ID X 3/4 OD, 2.3'	1
58	140305	CLAMP, HOSE	1
59	606161	HOSE, 1/4" GRAY 36"	1
60	230846	BRACKET, TANK SUPPORT	1
N/S	120188	DECAL, DASH	1
N/S	120619	DECAL, "WARNING, EXTRACTOR..."	1
N/S	120906	DECAL, "IMPORTANT, DRAIN..."	1
N/S	120907	DECAL, "IMPORTANT, ALWAYS CLOSE..."	2
N/S	120190	DECAL, "USE BLEEDER HOSE..."	1
N/S	120210	DECAL, "TENNANT"	1
N/S	608113	DECAL, 1160	2

∇= ASSEMBLY  
▲= INCLUDED IN ASSEMBLY  
N/S= NOT SHOWN

CHASSIS ASSEMBLY

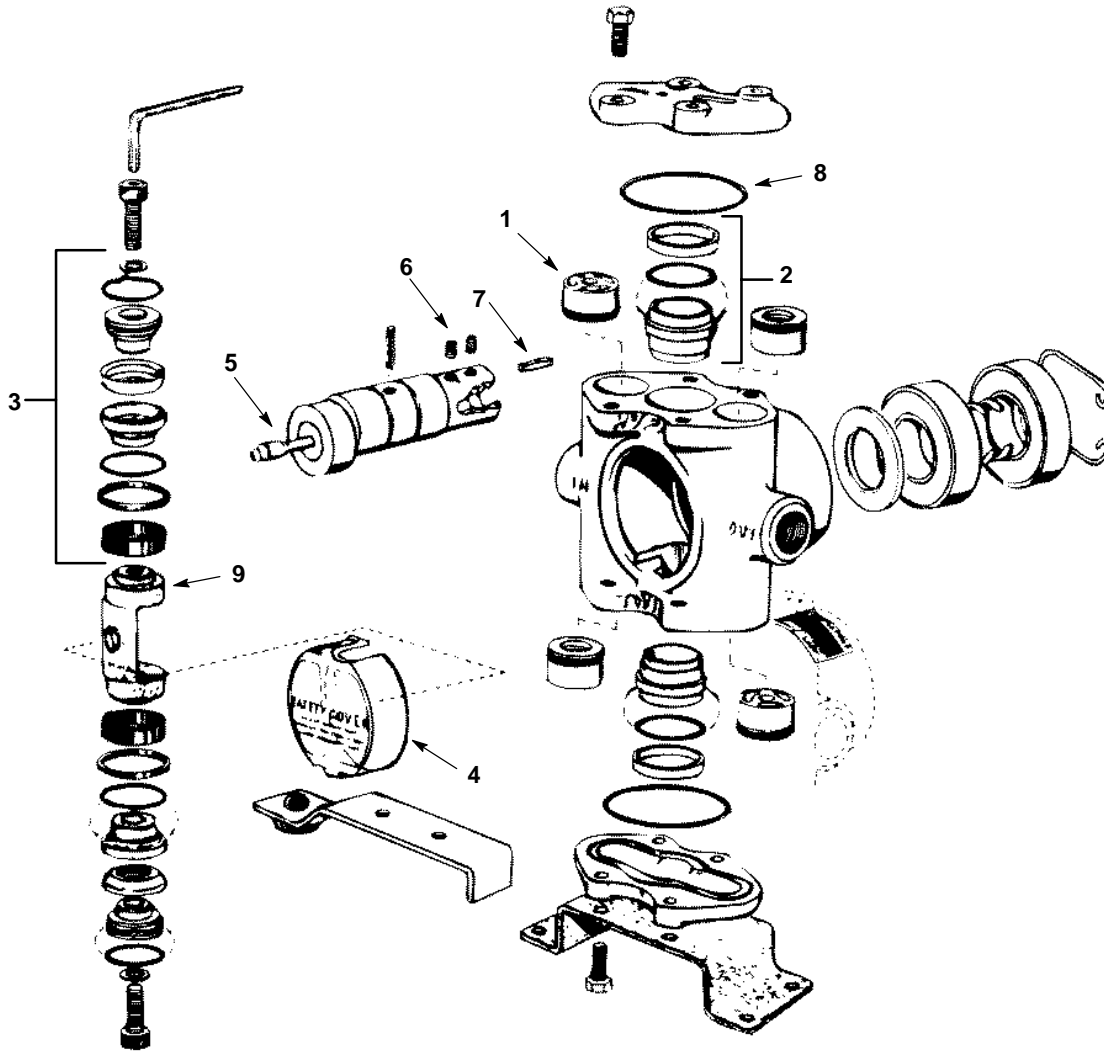


## CHASSIS ASSEMBLY

REF	PART #	DESCRIPTION	QTY.
1	210240	NUT, FLANGED 1-1/2"	1
2	100001	GASKET, VAC MOTOR	1
3	130404	MOTOR, VAC (120V)	1
	190157	CARBON BRUSHES (2/Pk)	2
	130405	MOTOR, VAC (230V)	1
	190157	CARBON BRUSHES (2/Pk)	2
4	140501	NUT, LOCK 1/4	3
5	102567	GASKET, VAC MOTOR	1
6	140308	CLAMP, HOSE	2
7	160629	HOSE, 2" X 27" WHITE	1
8	140506	NUT, HEX 5/16-18	4
9	140015	WASHER, SPLIT LOCK 5/16"	4
10	140027	WASHER, FLAT 5/16"	4
11	130031	MOUNT, MOTOR 1.25"	4
	130030	MOUNT, MOTOR 0.75" (230V)	4
12	130450	MOTOR, PUMP DRIVE 1/3 HP (120V)	1
	130453	MOTOR, PUMP DRIVE (230V)	1
13	190310	KEY, PUMP SHAFT	1
14	603051	HOSE, 1/2" ID X 3/4 OD, 2.3'	1
15	140310	CLAMP, HOSE	2
16	150431	ELBOW, 1/2 X 1/2 X 90°	1
17	180100	PUMP (SEE PAGE 14 FOR BREAKDOWN)	1
18	150101	BUSHING	1
19	150709	TEE, 1/4" ST	1
20	210211	VALVE, PRESSURE RELIEF	1
21	150615	NIPPLE, CLOSE 1/4"	1
22	150700	CROSS	1
23	701214	HOSE, HP 14" ASM.	1
24	701213	HOSE, HP 21" ASM.	1
25	150407	ELBOW 1/8 ST 90°	1
26	160140	HOSE, HP 36" ASM.	1
27	150525	HOSE BARB, 1/8" M X 1/4" H	1
28	140305	CLAMP, HOSE	1
29	606359	HOSE, 1/4" GRAY 5", .42'	1
30	140325	CLAMP, EAR 1/2	2
31	150713	TEE, UNION 1/4"	1
32	606161	HOSE, 1/4" GRAY 31", 2.6'	1

REF	PART #	DESCRIPTION	QTY.
33	140325	CLAMP, EAR 1/2	1
34	606161	HOSE, 1/4' GRAY 31", 2.6'	1
35	140027	WASHER, FLAT 5/16"	4
36	140305	CLAMP, HOSE	1
37	150418	ELBOW, 1/4" X 1/4" 90°	1
38	210108	VALVE, PRESSURE CONTROL	1
39	150406	ELBOW, STRT 1/4 X 90°	1
40	140058	WASHER	1
41	130284	PLUG, DOME 1" BLACK	2
42	150933	PLUG, QUICK COUPLER SER 60	1
43	150615	NIPPLE, CLOSE 1/4"	1
44	150403	ELBOW, STRT 1/4" X 45°	1
45	140801	SCREW, 8-32 X 3/8	4
46	140023	WASHER, INT LOCK #8	4
47	140932	LATCH, RUBBER	2
48	607683	CHASSIS, TEAL	1
49	27820	WASHER, FLAT	1
50	210108	VALVE, PRESSURE CONTROL	1
51	140894	SET SCREW 10-32 X 1/4	1
52	210023	KNOB, PRESSURE VALVE ADJUSTMENT	1
53	180201	GAUGE, PRESSURE	1
54	140825	SCREW, #6 X 1/2"	3
55	230390	HINGE, TANKS	1
56	140885	SCREW, 1/4-20 X 1/2	9
57	140016	WASHER, LOCK 1/4"	14
58	140003	WASHER, FLAT 1/4"	2
59	103009	WHEEL, 12" X 1.75"	2
60	140008	WASHER, FLAT	4
61	230907	AXLE	1
62	140259	SCREW, 1/4-20 X 5/8"	12
63	230746	BRACKET, AXLE OFFSET	2
64	130694	CORD, EXTENSION 14/3 X 25' (120V ONLY)	1
65	103065	CASTER, SWIVEL 4"	2
66	140223	SCREW, 5/16-18 X 3/4	4
67	140015	WASHER, SPLIT LOCK 5/16"	4

SOLUTION PUMP BREAKDOWN

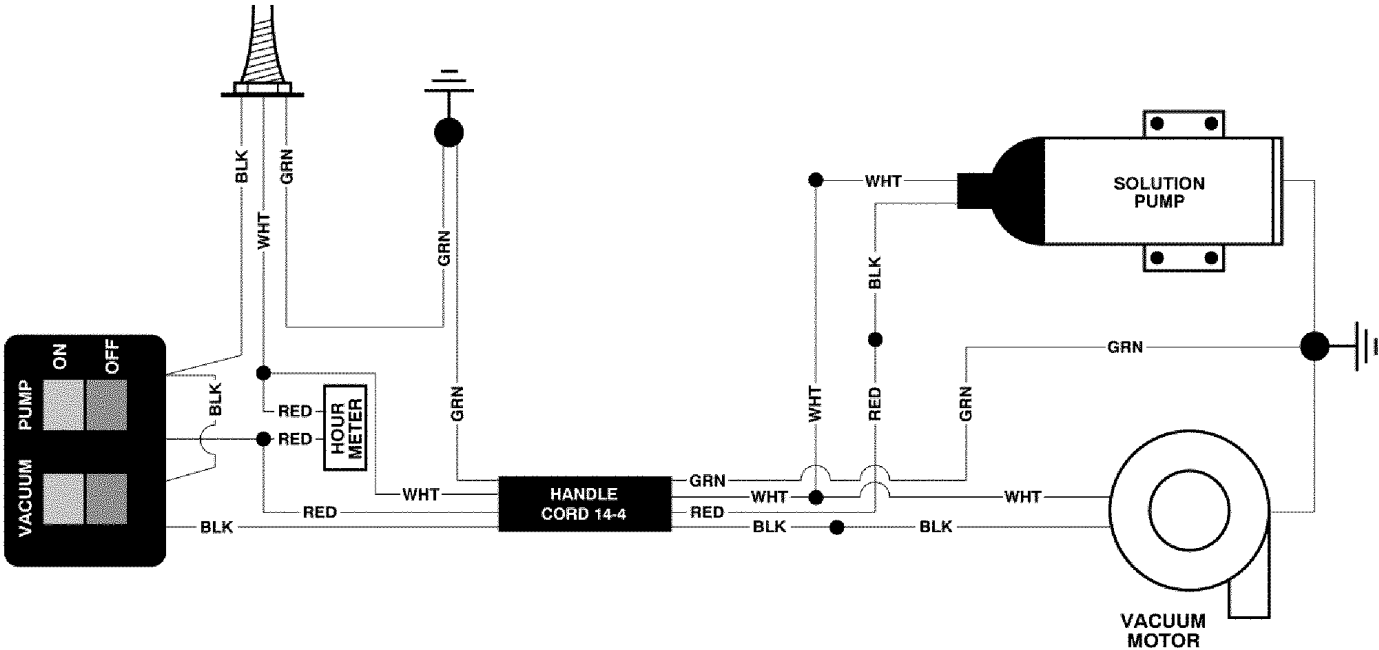


REF	PART #	DESCRIPTION	QTY.
	180100	PUMP, TWIN PISTON (COMPLETE)	1
1	190301	VALVE KIT, SET OF 4	1
2	190302	KIT, CYLINDER SLEEVE	1
3	190300	CUP KIT, SET OF 2	1
4	190307	SAFETY COVER	1
5	190305	GREASE FITTING	1
6	190309	SET SCREWS, PUMP	2

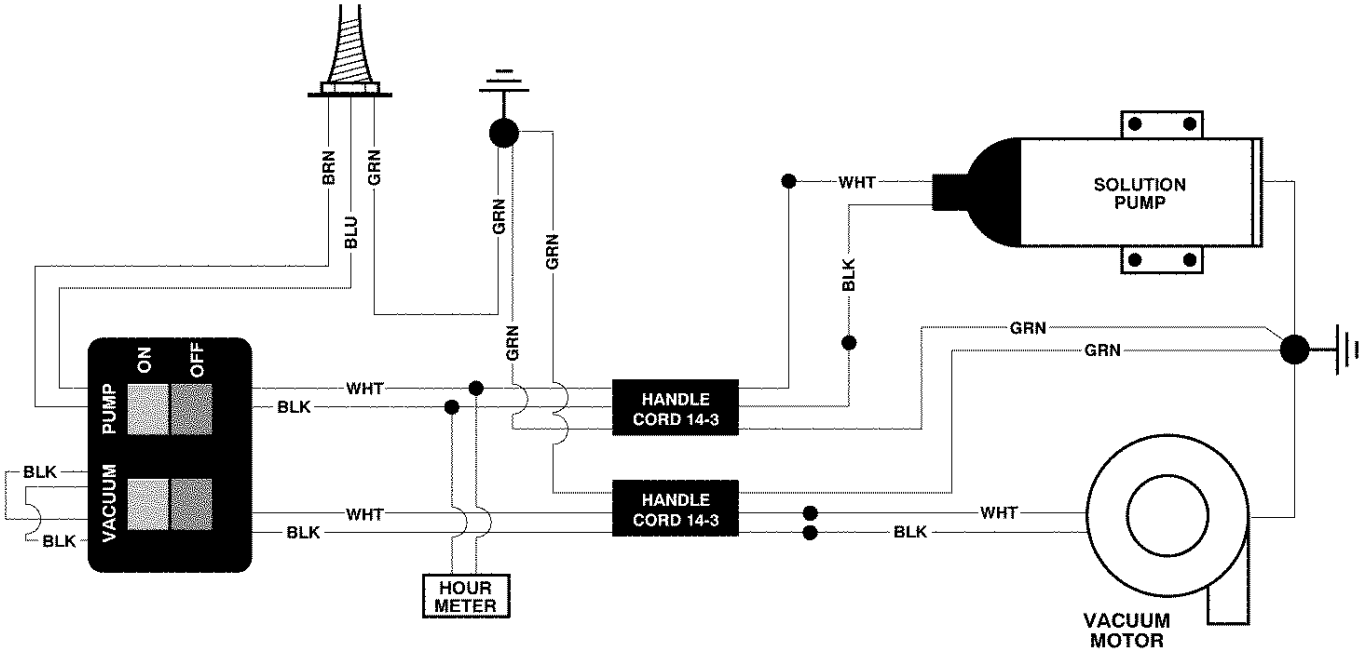
REF	PART #	DESCRIPTION	QTY.
7	190310	SHAFT KEY	1
8	190303	KIT, O-RING (INCLUDES 2 O-RINGS)	1
9	190304	CONNECTING ROD	1
N/S	190316	PULLER, VALVE SPRING RETAINER	1
N/S	190317	PULLER, VALVE, POPPET SEAT	1
N/S	190022	GUN, GREASE (METAL)	1

N/S= NOT SHOWN

120V Wiring

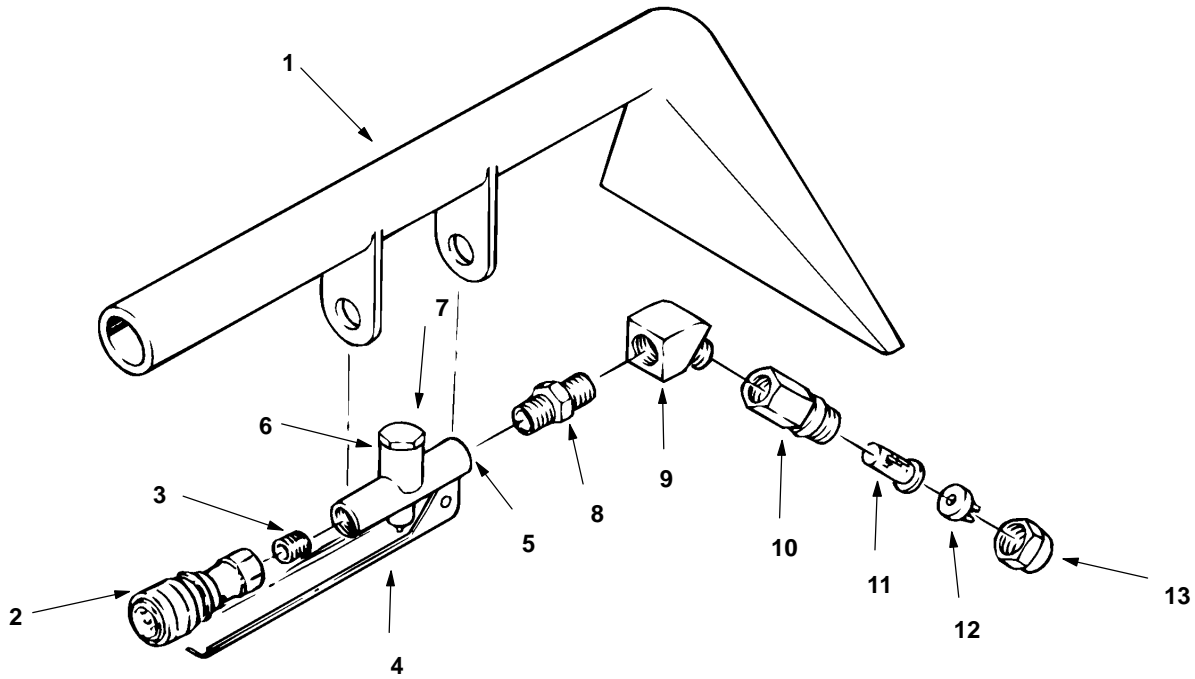


230V Wiring



# OPTIONAL ACCESSORIES

## 127 mm (5 inch) UPHOLSTERY TOOL ASSEMBLY

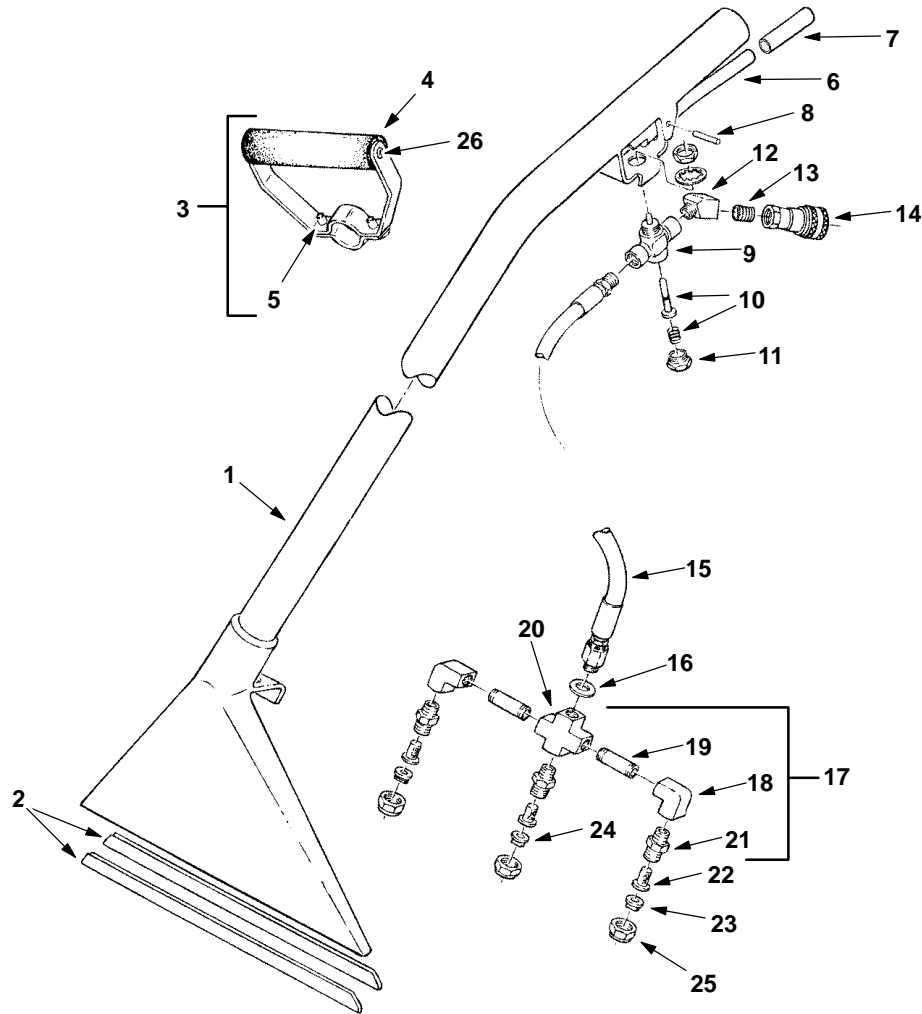


REF	PART #	DESCRIPTION	QTY.
	200505	5" HAND TOOL, (COMPLETE)	1
1.	200431.BK	TOOL, HAND	1
2.	150913	COUPLER, QUICK, SER. 60	1
3.	150615	NIPPLE, CLOSE	1
4.	200905	LEVER, K-VALVE W/PIN	1
5.	210210	VALVE, FLOW CONTROL	1
6.	190600	VALVE PIN & SPRING (NOT SHOWN)	1
7.	210148	CAP, HEX, VALVE	1

REF	PART #	DESCRIPTION	QTY.
8.	150606	NIPPLE, HEX 1/4"	1
9.	150403	ELBOW, ST 1/4" 45°	1
10.	200992	BODY, SPRAY 1/4"F	1
11.	200996	SCREEN, SPRAY BODY	1
12.	200965	TIP, BRASS #8002	1
13.	200994	CAP, SPRAY BODY	1



HIGH PRESSURE FLOOR TOOL ASSEMBLY



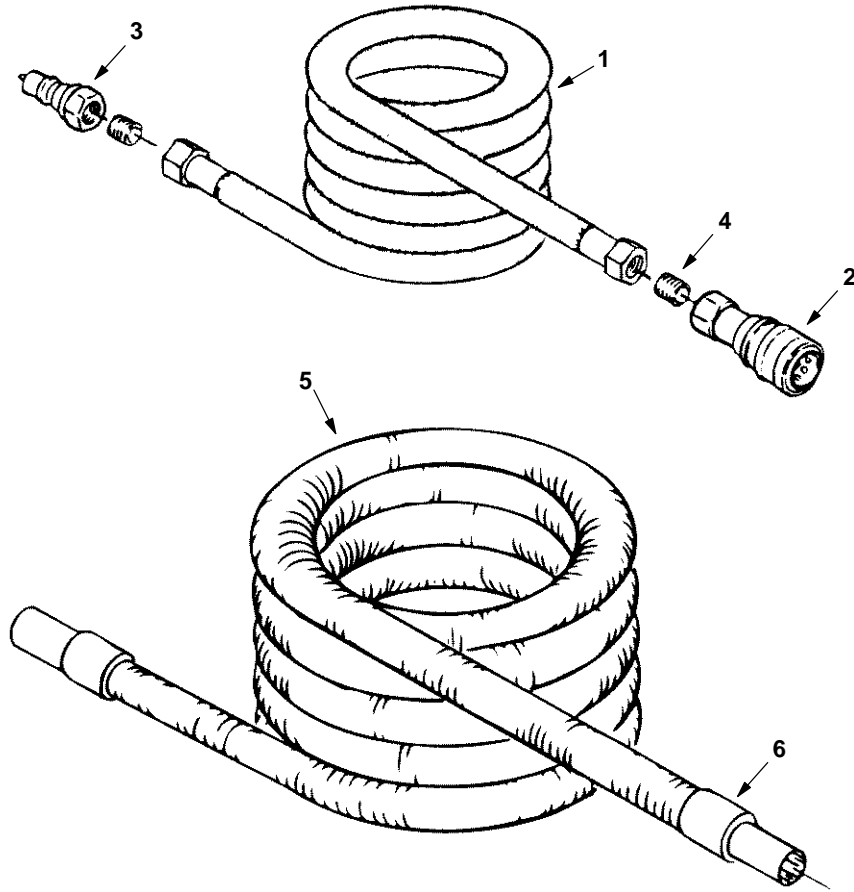
REF	PART #	DESCRIPTION	QTY.
	600049	TOOL, FLOOR (COMPLETE)	1
1	200403.BK	TOOL, FLOOR	1
2	200939	SHOES, FLOOR TOOL	2
3	200927	GRIP, ADJUSTABLE COMPLETE	1
4	200912	FOAM, GRIP	1
5	140259	SCREW, 1/4 X 5/8	2
6	200902	TRIGGER, FLOOR TOOL	1
7	200809	SLEEVE, TRIGGER	1
8	140605	PIN	1
	140520	NUT, PUSH	2
9	210150	VALVE, FLOW CONTROL	1
10	190603	KIT, VALVE PIN & SPRING	1
11	N/A	CAP, HEX, VALVE	1
12	150403	ELBOW, 1/4-45°	1
13	150615	NIPPLE, CLOSE 1/4	1
14	150913	COUPLER, QUICK SER. 60	1

REF	PART #	DESCRIPTION	QTY.
15	160175	HOSE, SOLUTION HP	1
16	140058	WASHER	1
▽17	700062	ASM., SPRAY BAR	1
▲18	150401	ELBOW, 90° 1/4F X 1/4F	2
▲19	150600	NIPPLE	2
▲20	150700	CROSS	1
▲21	200993	SPRAY BODY	3
22	200996	SCREEN, SPRAY BODY	3
23	200986	TIP, SPRAY (#9502)	2
24	200988	TIP, SPRAY (#11002)	1
25	200994	CAP, SPRAY BODY	3
	140834	SCREW, 1/4-20 X 5/8	2
N/S	120845	DECAL, "HIGH PRESSURE" (NOT SHOWN)	1

▽= ASSEMBLY  
▲= INCLUDED IN ASSEMBLY

# OPTIONAL ACCESSORIES

## SOLUTION AND VACUUM HOSES



REF	PART #	DESCRIPTION	QTY.
▽1	160191	SOLUTION HOSE 25'	1
▲2	150913	COUPLER, QUICK SER. 60	1
▲3	150933	PLUG, QUICK COUPLER	1
▲4	150615	NIPPLE	2
▽5	160401	VACUUM HOSE W/ CUFFS 1-1/2" X 25'	1
▲6	160430	CUFF, HOSE 1-1/2"	2
N/S	160451	CONNECTOR, VAC HOSE 1-1/2"	1

▽= ASSEMBLY  
 ▲= INCLUDED IN ASSEMBLY  
 N/S= NOT SHOWN