



Spare Parts List

(1.005-227.0)

Saber Cutter - Euro - 24V - Standard

From Serial Number (Ref No. 1*)

* See Serial Number page
or call manufacturer.

How to Use this Spare Parts List

The PARTS LIST section contains assembled parts illustrations and corresponding parts list. The parts lists include a number of columns of information:

- REF - column refers to the reference number on the parts illustration.
- PART NO. - column lists the part number for the part.
- QTY - column lists the quantity of the part used in that area of the machine.
- DESCRIPTION - column is a brief description of the part.
- SERIAL NO. FROM - If this column has an (*) and a Reference number, see the SERIAL NUMBERS page in the back of your manual. If column has two asterisk (**), call manufacturer for serial number. The serial number indicates the first machine the part number is applicable to. The main illustration shows the most current design of the machine. When a boxed illustration is shown, it displays the older design.
- NOTES - column for information not noted by the other columns.

NOTE: *If a service or option kit is installed on your machine, be sure to keep the KIT INSTRUCTIONS which came with the kit. It contains replacement parts numbers needed for ordering future parts.*

How to Use this Spare Parts List2

Table of Contents3

Control Handle 4

Cover (Front) & Tank Mount 6

Cover (Top) & Tank Mount 8

Decals 10

Electrical Panel 12

Lift Handle 14

Lift Handle Linkage 16

Recovery Tank 18

Scrub Brush & Pad Driver 20

Scrub Deck Aqua-mizer™ - 26 IN Scrubhead . . . 22

Scrub Deck Motors 24

Scrub Deck Skirt 26

Scrub Deck Lift Linkage - 26IN Scrub Deck 28

Scrub Deck Lift Linkage - Center 30

Scrub Deck Lift Linkage - Front & Rear 32

Solution 1 34

Solution 2 36

Squeegee - 26 IN Scrubhead 38

Squeegee Lift Linkage (Lower) 40

Vacuum 42

Wheels & Frame 44

Wiring - Battery 46

Wiring - Control Panel 48

Wiring - Main Harness 50

Wiring - Schematic 52

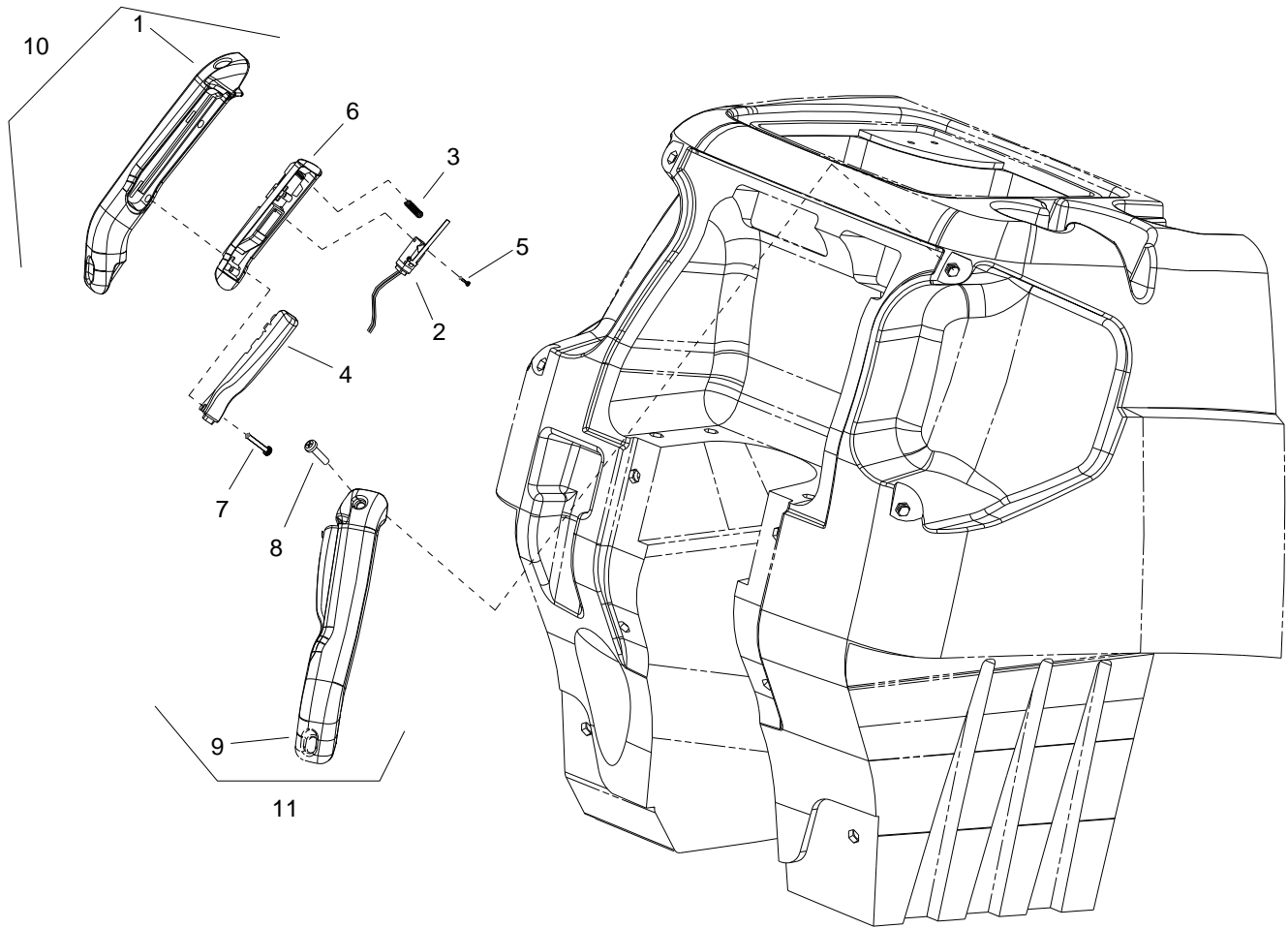
Brake 54

Emergency Stop 56

Accessory Pump - Optional 58

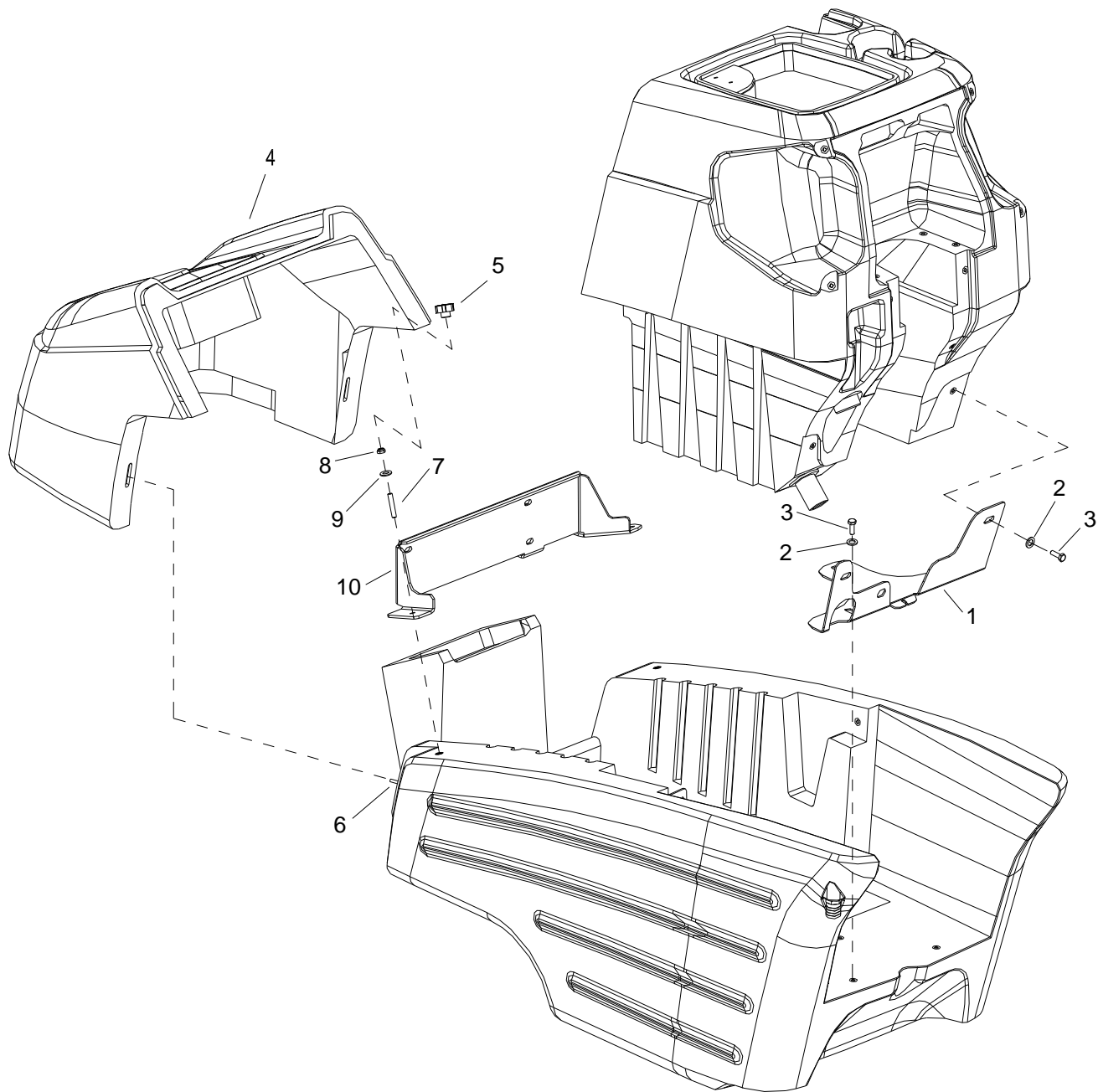
Serial Number60

Control Handle



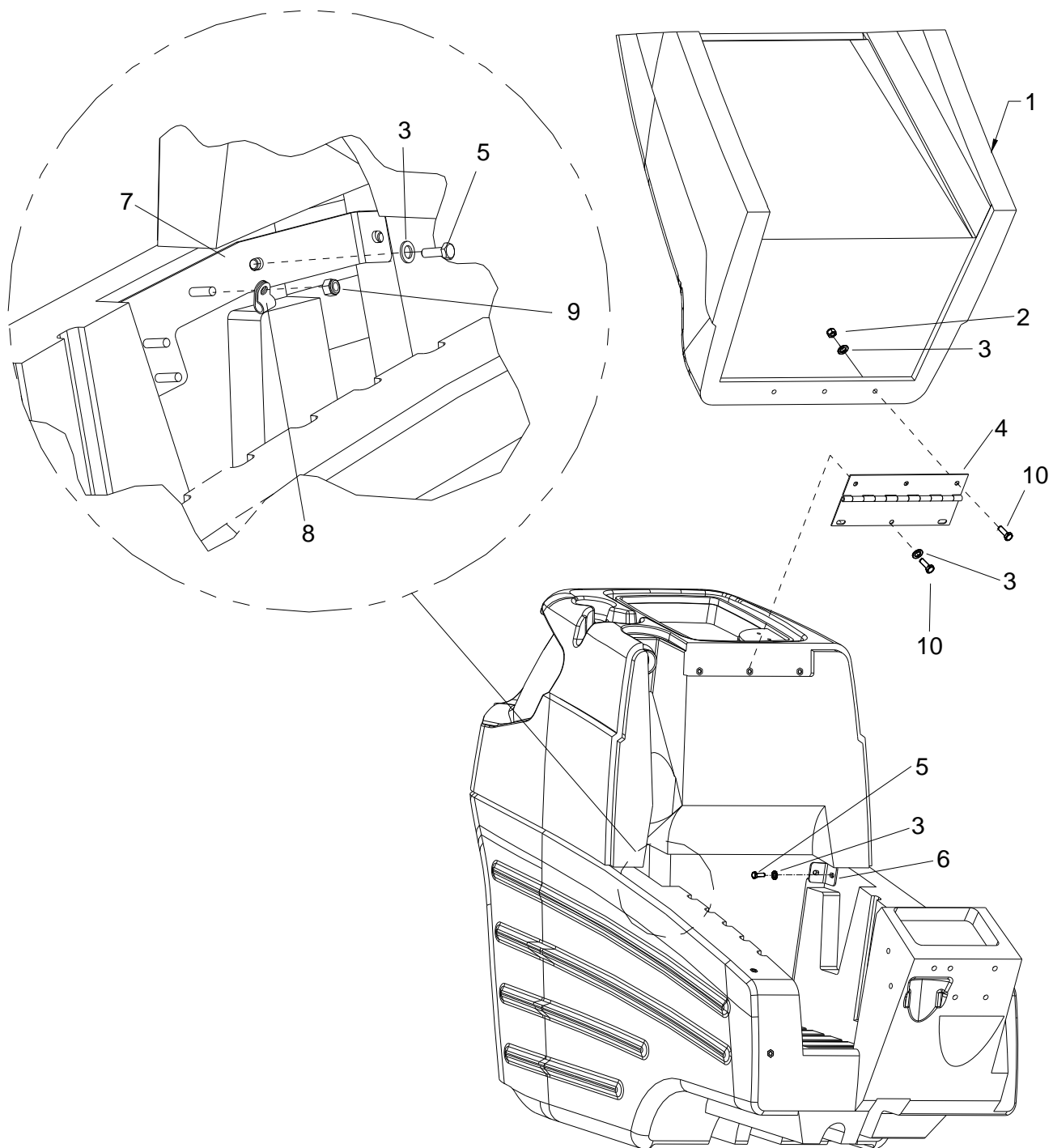
REF	PART NO.	QTY	DESCRIPTION	SERIAL NO. FROM	NOTES:
1	86238730	1	HANDLE, LEFT		
2	86257230	2	SWITCH, SPST MOM NO W/LEVER		
3	86254920	2	SPRING, COMP .240D X 1.25 X .018		
4	86338190	2	BUTTON PROPEL, YLW		
5	86277070	2	SCR, 4-40 X 5/8 PPHMS		
6	86240990	2	HOUSING, BUTTON		
7	86277060	4	SCR, 8-32 X 7/8 PHTC TYPE 23		
8	86277050	4	SCR, 5/16-18 X 3/4 SHCS NP		
9	86238740	1	HANDLE, RIGHT		
10	86338860	-	PROPEL HANDLE ASM, LEFT, YLW		
11	86338870	-	PROPEL HANDLE ASM, RT, YLW		

Cover (Front) & Tank Mount

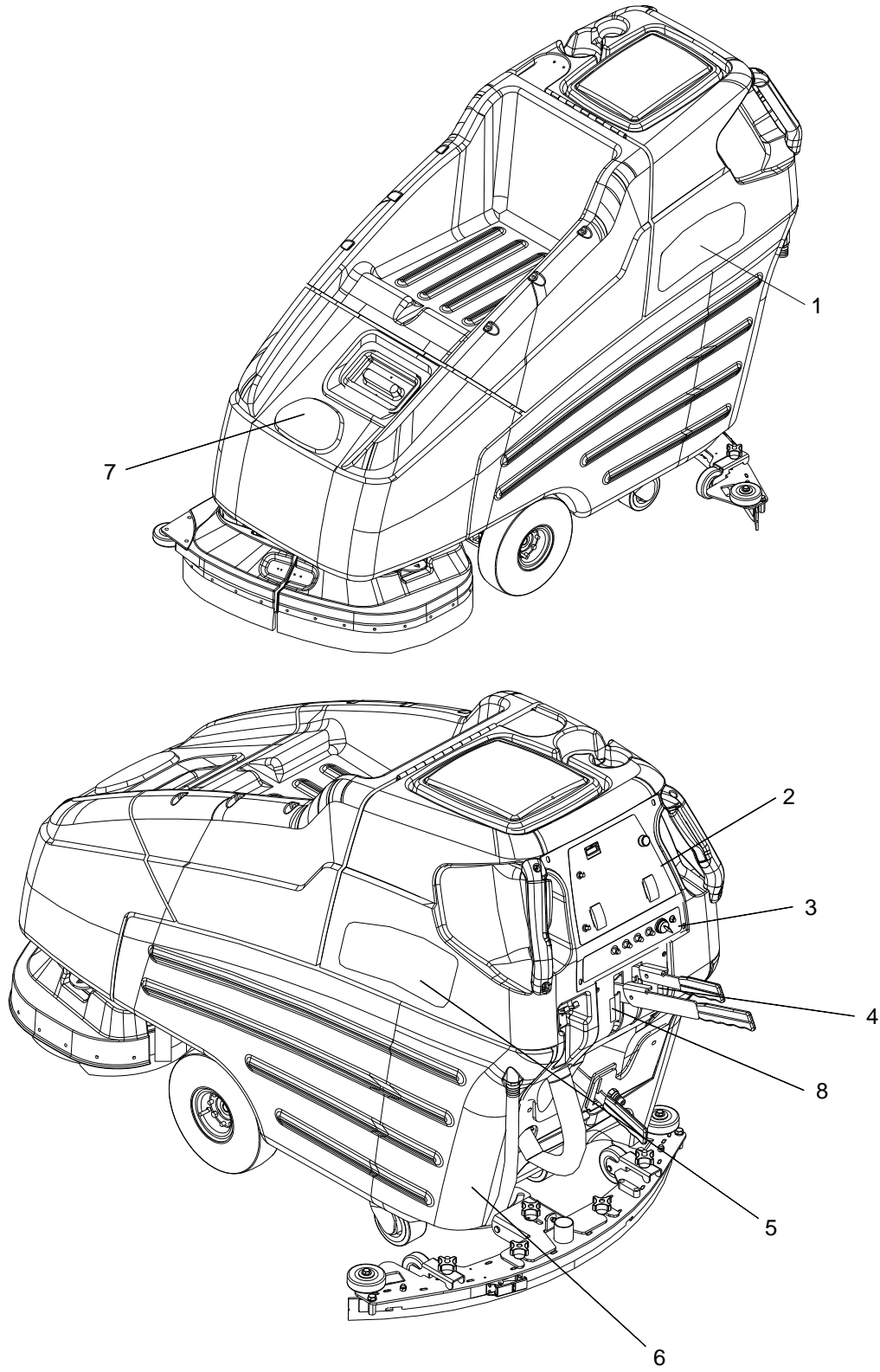


REF	PART NO.	QTY	DESCRIPTION	SERIAL NO. FROM	NOTES:
1	86070150	1	BRKT, TANK MOUNT 24V		
2	86010670	4	WASHER, 5/16 FLAT SS		
3	86276780	4	SCR, 5/16-18 X 3/4 HHCS SS		
4	86393050	1	COVER, FRONT, HD 24V, BLK		
5	86377890	2	KNOB, 1.36" DIA X 5/16-18		
6	86276380	2	SCR, 5/16-18 X 1.25 SSSCU		
7	86278080	2	SET SCR, 5/16-18 X 1.75 CP SS		
8	86271840	2	NUT, 5/16-18 HEX NYLOCK THIN SS		
9	86010670	2	WASHER, 5/16 FLAT SS		
10	86068150	1	BRACKET, TANK SUPPORT		

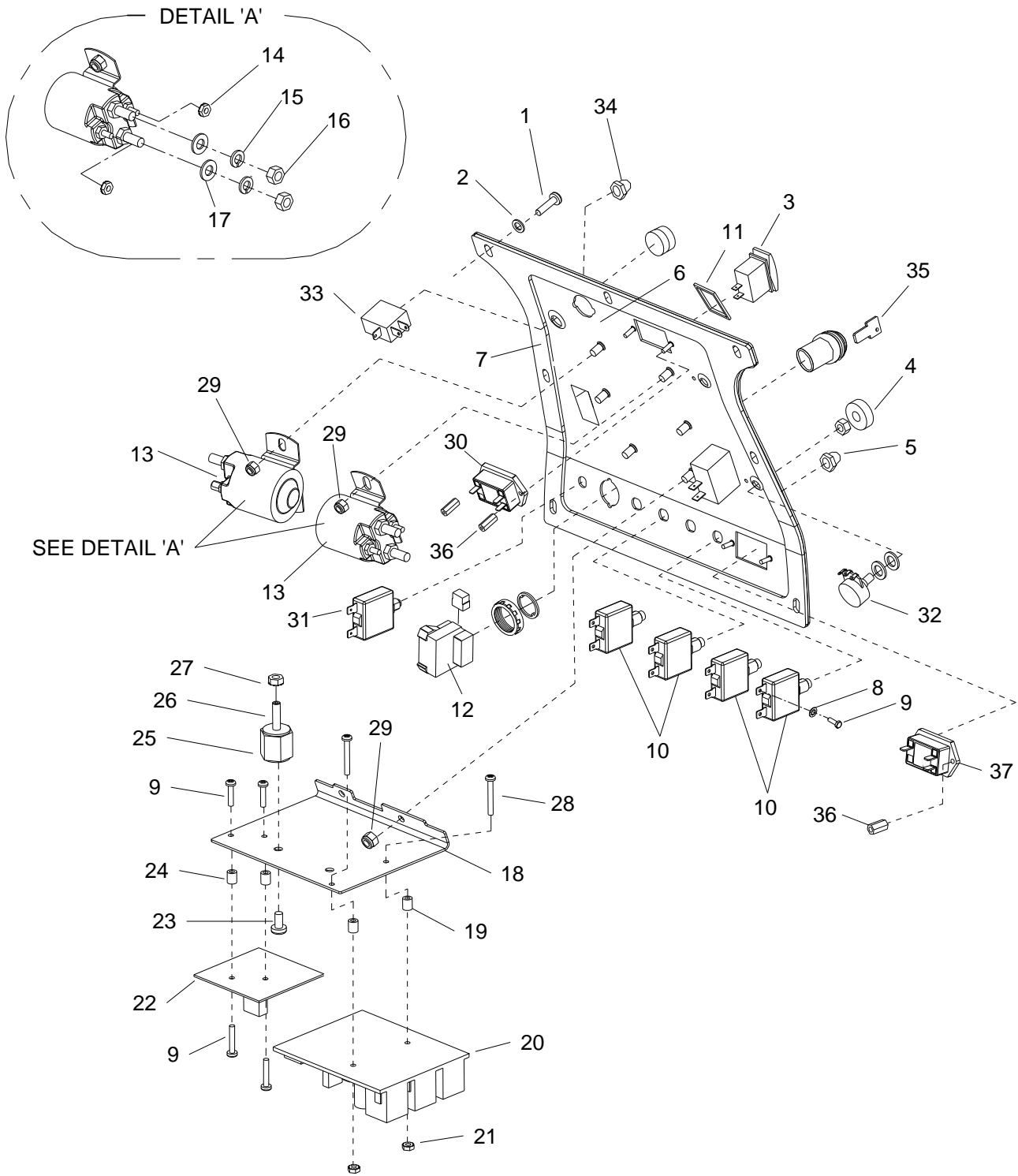
Cover (Top) & Tank Mount



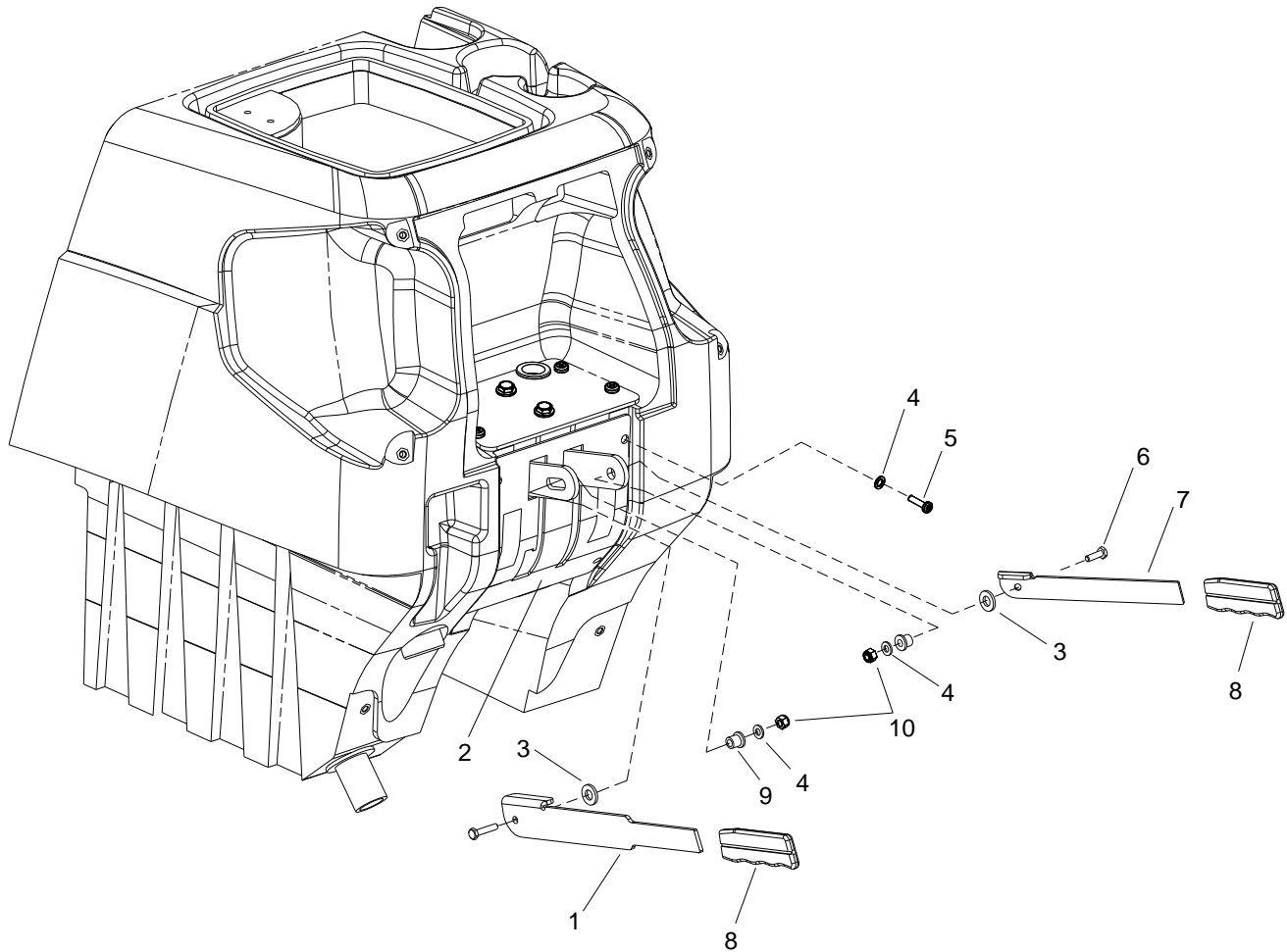
REF	PART NO.	QTY	DESCRIPTION	SERIAL NO. FROM	NOTES:
1	86393030	1	COVER, TOP, HD 24V, MD GRY		
2	86271840	3	NUT, 5/16-18 HEX NYLOCK THIN SS		
3	86010670	10	WASHER, 5/16 FLAT SS		
4	86239630	1	HINGE, COVER TO TANK		
5	86276780	4	SCR, 5/16-18 X 3/4 HHCS SS		
6	86073700	1	BRACKET, TANK LEFT		
7	86069630	1	BRACKET, TANK RIGHT		
8	86233390	1	CLAMP, 7/8 DIA "P" CUSHIONED		
9	86271870	1	NUT, 1/4-20 HEX NYLOCK THIN SS		
10	86276490	3	SCR, 5/16 -18 X 5/8 HHCS SS		
11	86276780	3	SCR, 5/16 -18 X 3/4 HHCS SS		
-	86292630	1	NET, CARGO		NOT SHOWN



REF	PART NO.	QTY	DESCRIPTION	SERIAL NO. FROM	NOTES:
1	86396100	1	LABEL, CUTTER RIGHT		
2	86396110	1	LABEL, ELEC. PANEL 24V BASIC		
3	86400230	1	LABEL, ELEC. PANEL. LOWER 24V		
4	86396810	1	LABEL, SQUEEGEE LEVER		
5	86396120	1	LABEL, CUTTER LEFT		
6	86243180	1	LABEL, SOLUTION FILL 24V		
7	86395400	1	LABEL, WINDSOR LOGO DOMED		
8	86396820	1	LABEL, BRUSH LEVER		

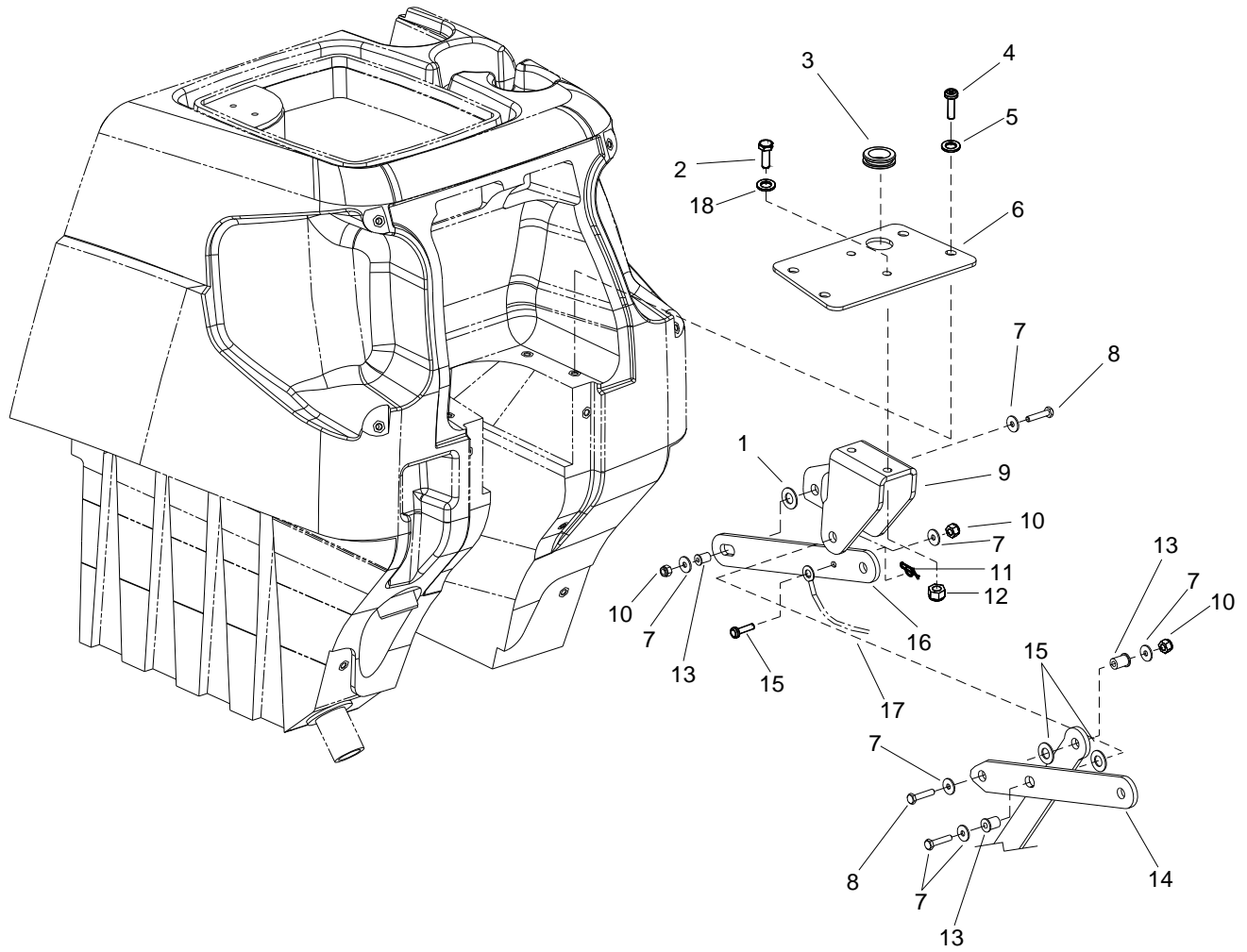


REF	PART NO.	QTY	DESCRIPTION	SERIAL NO. FROM	NOTES:
1	86276290	7	SCR, #10 X 3/4 PPHST HI-LO BLK		
2	86294250	7	WASHER, .19 ID X .5 X .09TK BLK		
3	86007140	2	SWITCH, SPST 2-POSITION ROCKER		
4	86242110	2	KNOB, .90OD X .25 COLLET		
5	86008900	4	Boot, seal-push button 7/16-28		
6	86082830	1	PLATE, ELEC PANEL 24 V BASIC		
7	86237800	1	GASKET, ELEC PLATE 24V		
8	86279300	8	WASHER, #6 LOCK		
9	86273990	12	SCR, 6-32 X 3/8 PPHMS SS		
10	86001910	4	BREAKER, 30A 50VDC CIRCUIT		
11	86238030	2	GASKET, SWITCH CARLING		
12	86007170	1	SWITCH, KEY TWO-POSITION		
13	86006420	2	RELAY, 24VDC 100A		
14	86005700	4	NUT, 10-32 HEX W/ STAR WASHER PLTD		
15	86279480	4	WASHER, 5/16 EXT LOCK PLTD		
16	86271080	4	NUT, 5/16-24 HEX PLTD		
17	86010760	2	WASHER, .344 X .69 X .066 FLAT PLT		
18	86082820	1	PLATE, ELEC PANEL BACK		
19	86254440	2	SPACER, .166ID X .313OD X .375L AL		
20	86002950	1	CONTROLLER, 24VDC PROPEL MOTOR		
21	86270850	2	NUT, 8-32 HEX NYLOCK SS		
22	86003250	1	CIRCUIT BOARD, SOL/FLOAT WIRED		
23	86276880	1	SCR, 1/4-20 X 3/8 HHCS SS		
24	86255890	2	STANDOFF, 6-33 X 1.0 HEX NYL		
25	86255910	1	STANDOFF, 1/4-20 X 1.0 HEX INS		
26	86006850	1	SET SCR, 1/4-20 X 1.25		
27	86005710	1	NUT, 1/4-20 HEX W/STAR WASHER		
28	86273910	2	SCR, 8-32 X 1 PPHMS SS		
29	86271870	6	NUT, 1/4-20 HEX NYLOCK THIN SS		
30	86005520	1	METER, 24V BATTERY CHARGE LEVEL		
31	86002000	1	BREAKER, 3AMP 1681-090-300		
32	86006310	1	POTENTIOMETER, 50K OHMS		
33	86257030	1	SWITCH, MOMENTARY DPST		
34	86002010	1	BOOT, 3/8 CIRCUIT BREAKER		
35	86004860	1	KEY, SWITCH		
36	86255900	4	STANDOFF, 6-32 X 5/8 HEX NYL		
37	86005530	1	METER, 12-48 VDC LED HOUR		
-	86267340	2	WIRE, 22" RED/18 76040 X 76075		NOT SHOWN
-	86267360	1	WIRE, 14" BLK/18 76011 X 76040		NOT SHOWN

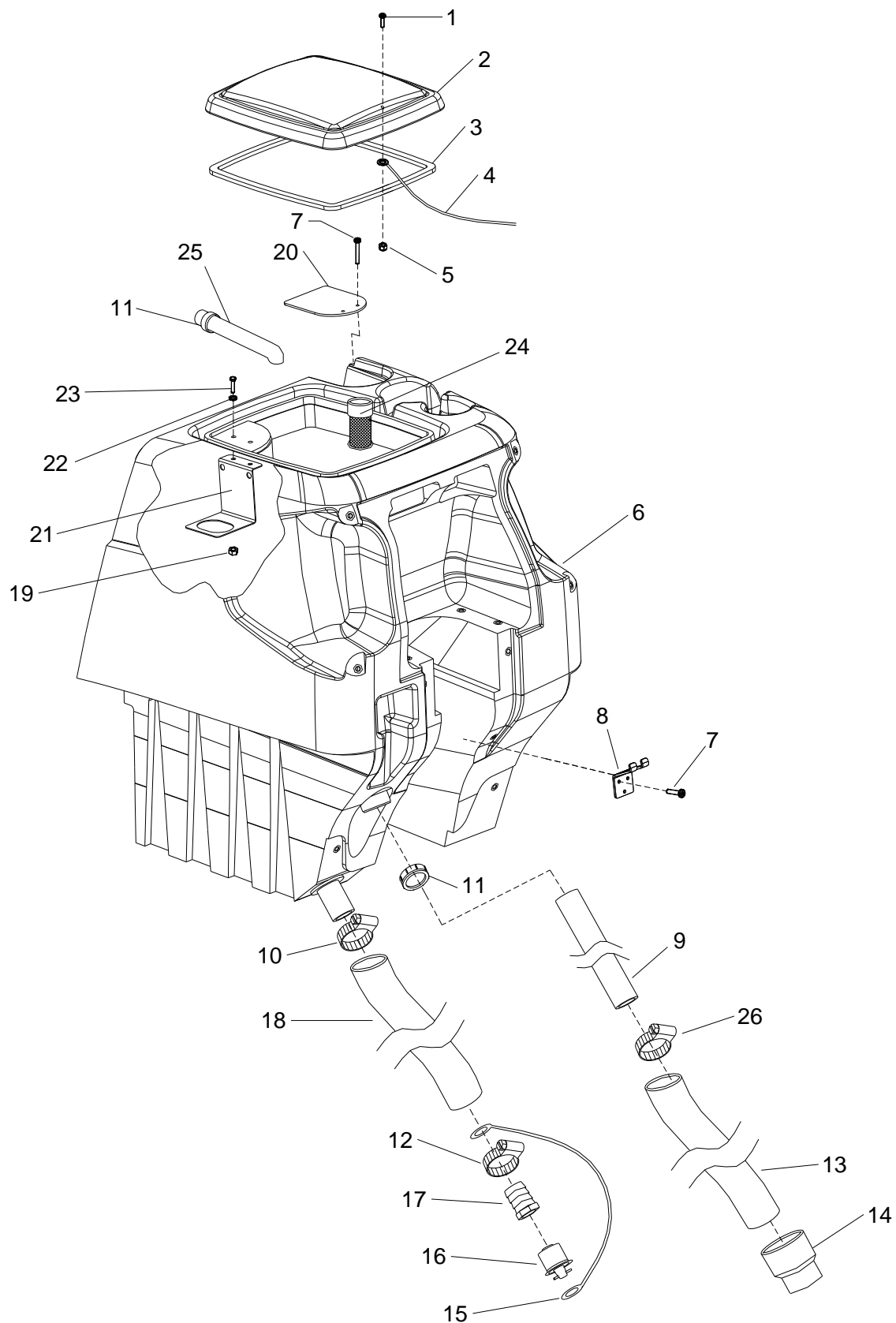


REF	PART NO.	QTY	DESCRIPTION	SERIAL NO. FROM	NOTES:
1	86077260	1	LEVER, DECK SWING		
2	86082560	1	PLATE, LEVER NOTCH, 24V BASIC		
3	86259400	2	WASHER, THRUST .51ID X 1OD BRO		
4	86010670	6	WASHER, 5/16 FLAT SS		
5	86276780	4	SCR, 5/16-18 X 3/4 HHCS SS		
6	86006930	2	SCR, 5/16-18 X 1.00 BSHCS SS		
7	86066860	1	BAR, SQG LIFT SWING 36Vs		
8	86336000	2	GRIP, 3/16X 1.0, YLW		
9	86228840	2	BEARING, FLANGED .314ID X .502OD		
10	86271840	2	NUT, 5/16-18 HEX NYLOCK THIN SS		

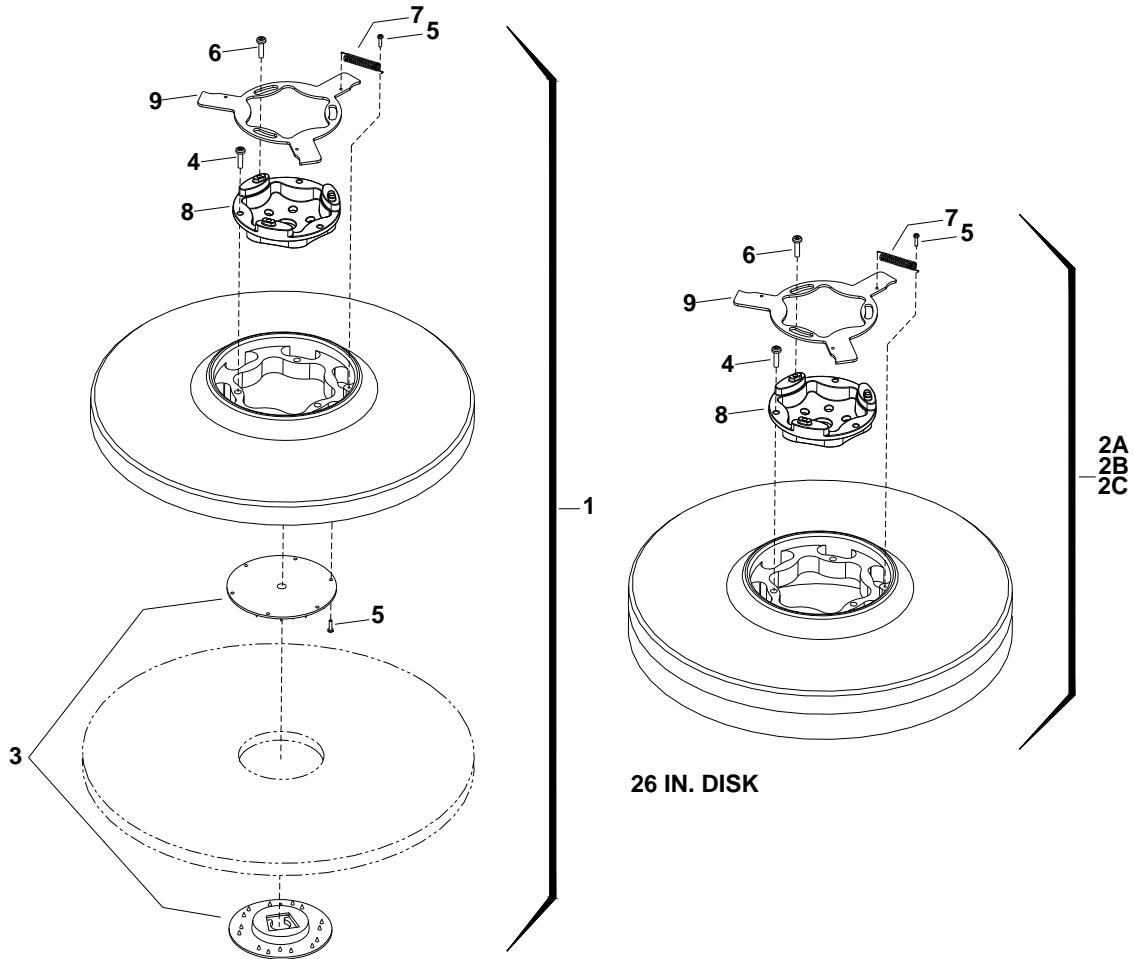
Lift Handle Linkage



REF	PART NO.	QTY	DESCRIPTION	SERIAL NO. FROM	NOTES:
1	86259400	3	WASHER, THRUST .51ID X 1OD BRO		
2	86276920	2	SCR, 3/8-16 X 1 HHCS SS NP		
3	86238430	1	GROMMET, 1.00ID 3/16 GRIP		
4	86276780	4	SCR, 5/16-18 X 3/4 HHCS SS		
5	86010670	4	WASHER, 5/16 FLAT SS		
6	86082270	1	PLATE, PIVOT		
7	86010630	6	WASHER, 1/4ID X 5/8OD SS		
8	86273820	3	SCR, 1/4-20 X 1.25 HHCS SS		
9	86069610	1	BRACKET, SCRUB DECK PIVOT 24V		
10	86271870	3	NUT, 1/4-20 HEX NYLOCK THIN SS		
11	86008650	1	COTTER, 1/4" RING		
12	86005630	2	NUT, 3/8-16 HEX NYLOCK THIN SS		
13	86228900	3	BEARING, FLANGED .252ID X .503OD		
14	86066730	1	BAR, LIFT LINKAGE		
15	86009560	1	PIN, CLEVIS 1/4" X 5/8" PLTD		
16	86077480	1	LINK, SQG LIFT FIXED		
17	86003240	1	CABLE, .125 X 26.5 0707 SS LB E-E		
18	86278910	2	WASHER, 3/8 ID X 7/8 OD SS		

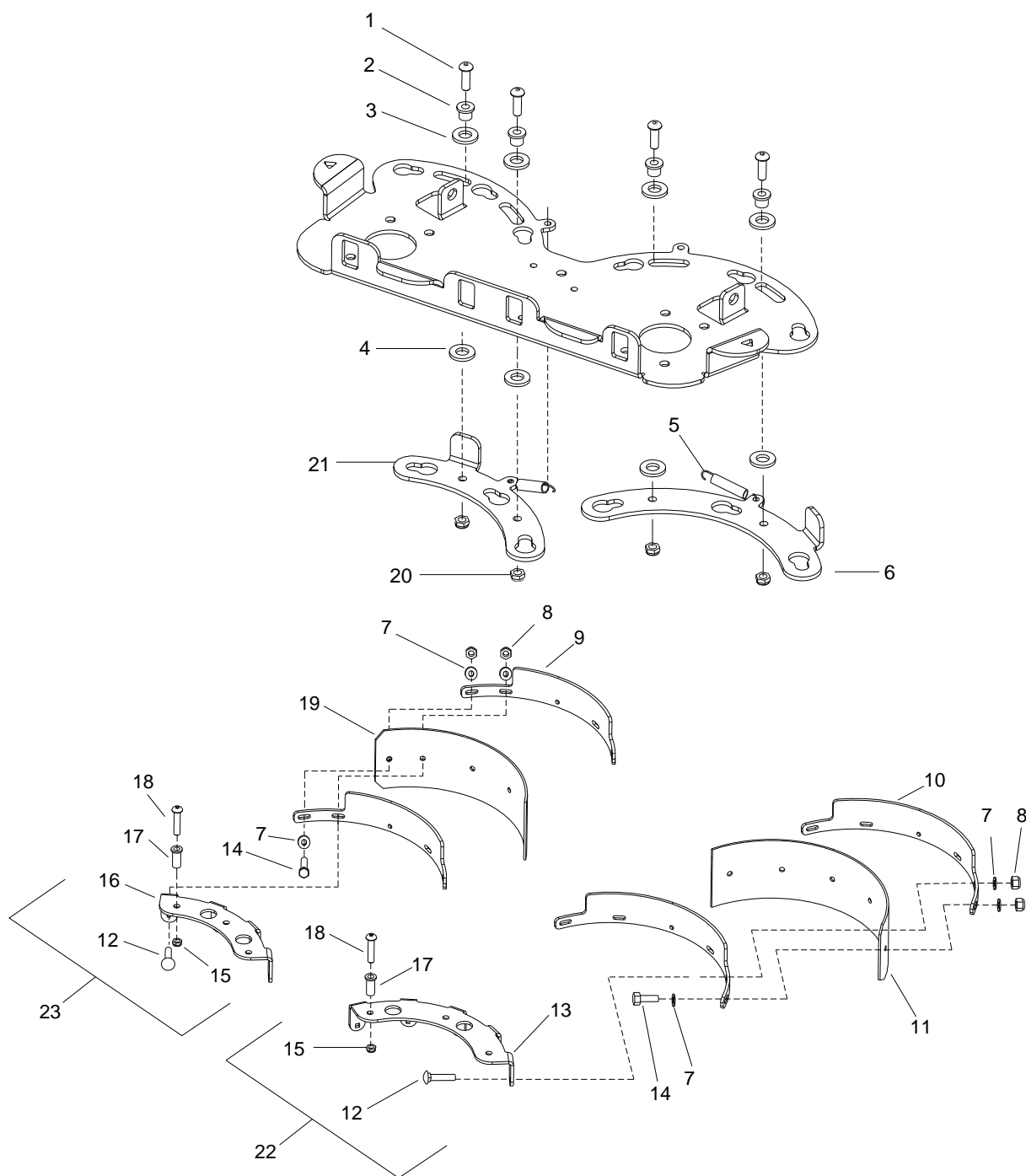


REF	PART NO.	QTY	DESCRIPTION	SERIAL NO. FROM	NOTES:
1	86274220	1	SCR, 6-32 X 5/8 PPHMS SS		
2	86003340	1	DOME, 13 X 11		
3	86003990	1	GASKET, DOME		
4	86246080	2	LANYARD, 18.0 W/ LOOP & EYE		
5	86014810	1	NUT, 6-32 ACORN SS		
6	86392990	1	TANK, REC, HD 24V, MD GRY		
7	86276290	5	SCR, #10 X 3/4 PPHST HI-LO BLK		
8	86001190	1	BRACKET, RECOVERY HOSE MTG		
9	86089630	1	TUBE, 1.5 PVC X 24.0		
10	86233140	2	CLAMP, 2.0" WORM GEAR		
11	86372080	2	NUT, 1.5 SLIP JOINT		
12	86002400	1	CLAMP, 2.0" WORM GEAR X .312W		
13	86004180	1	HOSE, 1.5 BLK VAC X 28"		
14	86002840	1	CUFF, 1.5 SLIP X 1.5 HOSE		
15	86008400	1	TETHER DRAIN PLUG		
16	86006240	1	PLUG, DRAIN HOSE		
17	86004450	1	HOSEBARB, 1.5 DOUBLE MCHD		
18	86004260	1	HOSE, 1.5 X 24.0 DRAIN		
19	86271870	2	NUT, 1/4-20 HEX NYLOCK THIN SS		
20	86075540	1	COVER, VACUUM HOSE		
21	86069780	1	BRACKET, VAC INTAKE		
22	86010630	2	WASHER, 1/4ID X 5/8OD SS		
23	86273810	2	SCR, 1/4-20 X 1 HHCS SS		
24	86236410	1	FLOAT, VAC SHUT OFF		
25	86257860	1	TUBE, 1.5 WASTE		

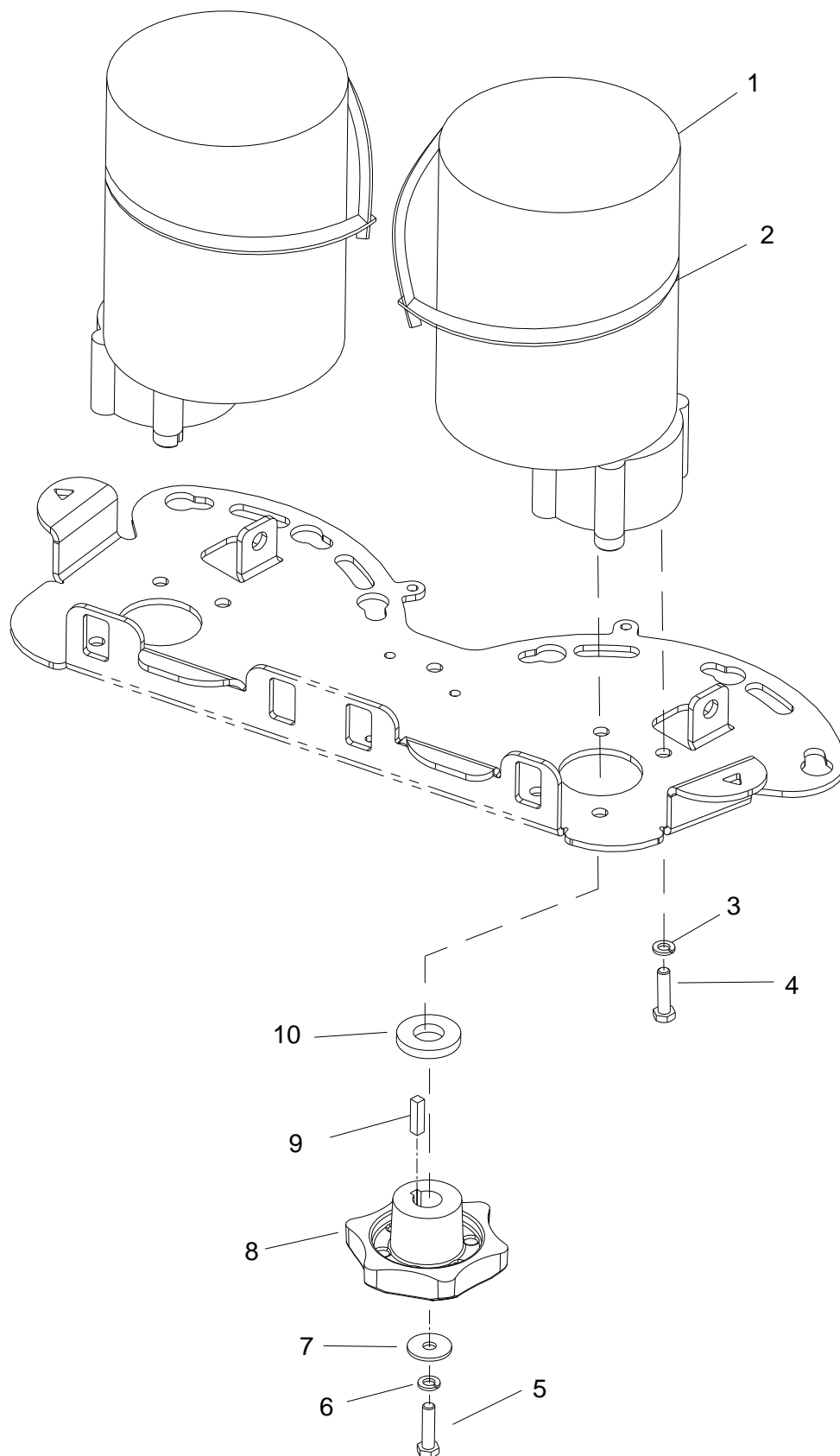


REF	PART NO.	QTY	DESCRIPTION	SERIAL NO. FROM	NOTES:
1	86000210	2	PAD DRIVER, 13" SD		
2A	86000220	2	BRUSH, 13" POLYPROPYLENE SD U19880		
2B	86000230	2	BRUSH, 13" NYLON SD U19981		
2C	86000240	2	BRUSH, 13" MILD GRIT SD U19982		
3	86005070	1	LOCK, PAD CENTER SNAP, TWO STEP		
4	86276590	3	SCR, #12 X 1.0 PPHMS SS		
5	86276580	4	SCR, 8-32 X 3/4 PTHMS SS		
6	86276600	3	SCR, 10-32 X 3/4 PTHMS SS		
7	86007910	1	SPRING, EX .31 D X 2.0 L X .03 W		
8	86007280	1	SOCKET, DRIVE BRUSH		
9	86005940	1	PLATE, BRUSH RELEASE		

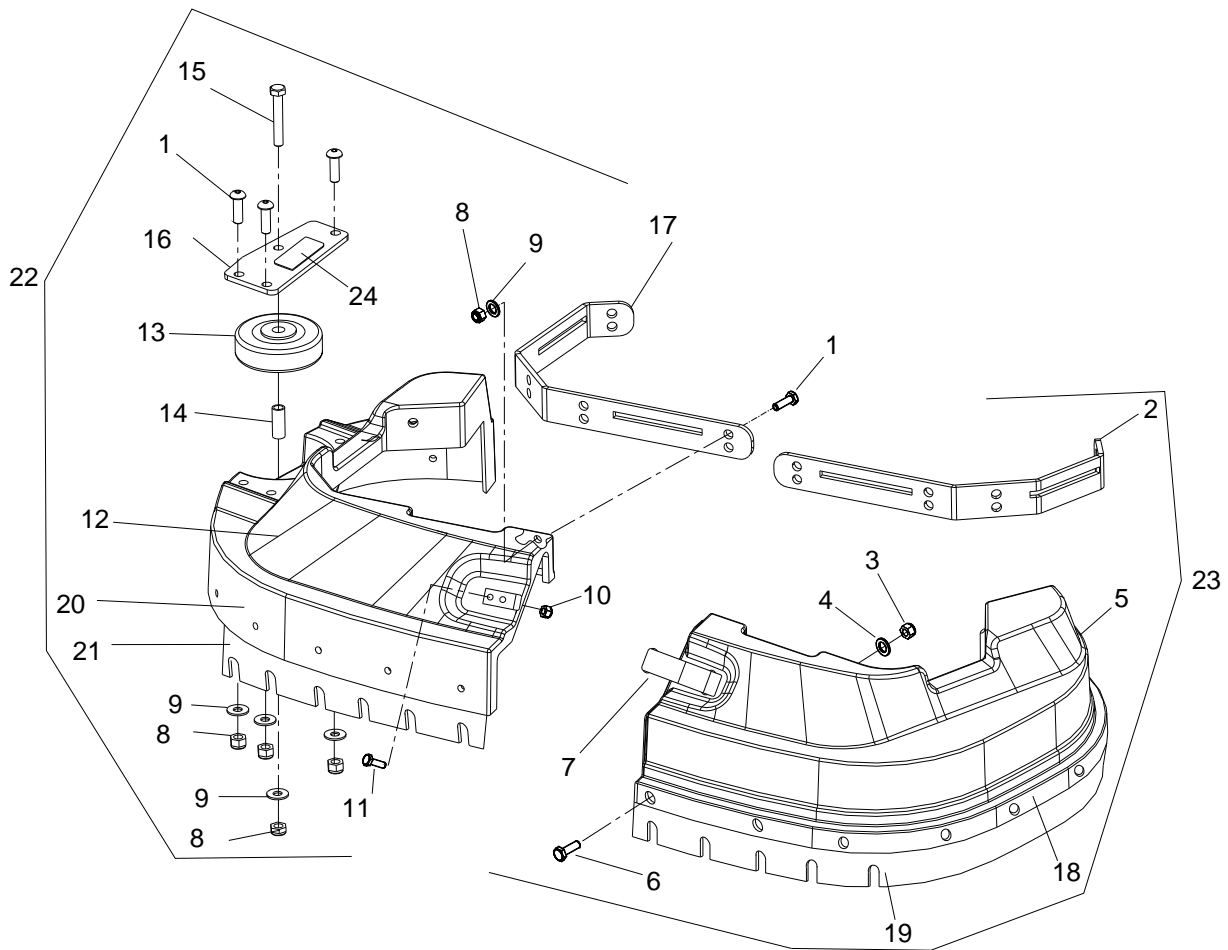
Scrub Deck Aqua-mizer™ - 26 IN Scrubhead



REF	PART NO.	QTY	DESCRIPTION	SERIAL NO. FROM	NOTES:
1	86006930	4	SCR, 5/16-18 X 1.00 BSHCS SS		
2	86228840	4	BEARING, FLANGED .314 ID X .502 OD		
3	86259420	4	WASHER, THRUST .51 ID X 1 OD BRO		
4	86259400	4	WASHER, THRUST .51 ID X 1 OD BRO		
5	86255060	2	SPRING, EXT. .43D X 2.50L X .047W		
6	86082370	1	PLATE, AQ LOCK L 13 IN		
7	86010630	13	WASHER, 1/4 ID C 5/8 OD SS		
8	86271870	11	NUT, 1/4-20 HEX NYLOCK THIN SS		
9	86255990	2	STRAP, AQ, BACK, L 13 INCH		
10	86256000	2	STRAP, AQ, BACK, R 13 IN		
11A	86001410	1	BLADE, 13 IN LEFT		
11B	86135150	1	BLADE, 13IN LT URETHANE		
12	86276960	9	SCR, 1/4-20 X 1 CARRIAGE SS		
13	86249530	1	PLATE, AQ ATTACH L 13 IN		
14	86273810	2	SCREW, 1/4-20 X 1 HHCS SS		
15	86005630	6	NUT, 3/8-16 HEX NYLOCK THIN SS		
16	86249540	1	PLATE, AQ, ATTACH R 13 IN		
17	86228910	6	BEARING, FLANGED .377 ID C .502 OD		
18	86276860	6	SCR, 3/8-16 X 1.75 BSHCS SS		
19A	86001400	1	BLADE, 13 IN RIGHT		
19B	86135140	1	BLADE, 13IN RT URETHANE		
20	86271840	4	NUT, 5/16-18 HEX NYLOCK THIN SS		
21	86082380	1	PLATE, AQ LOCK R 13 IN		
22	86024970	-	AQUA-MIZER™ 26" SCRUBHEAD LEFT		SERVICE ASM
23	86024980	-	AQUA-MIZER™ 26" SCRUBHEAD RIGHT		SERVICE ASM

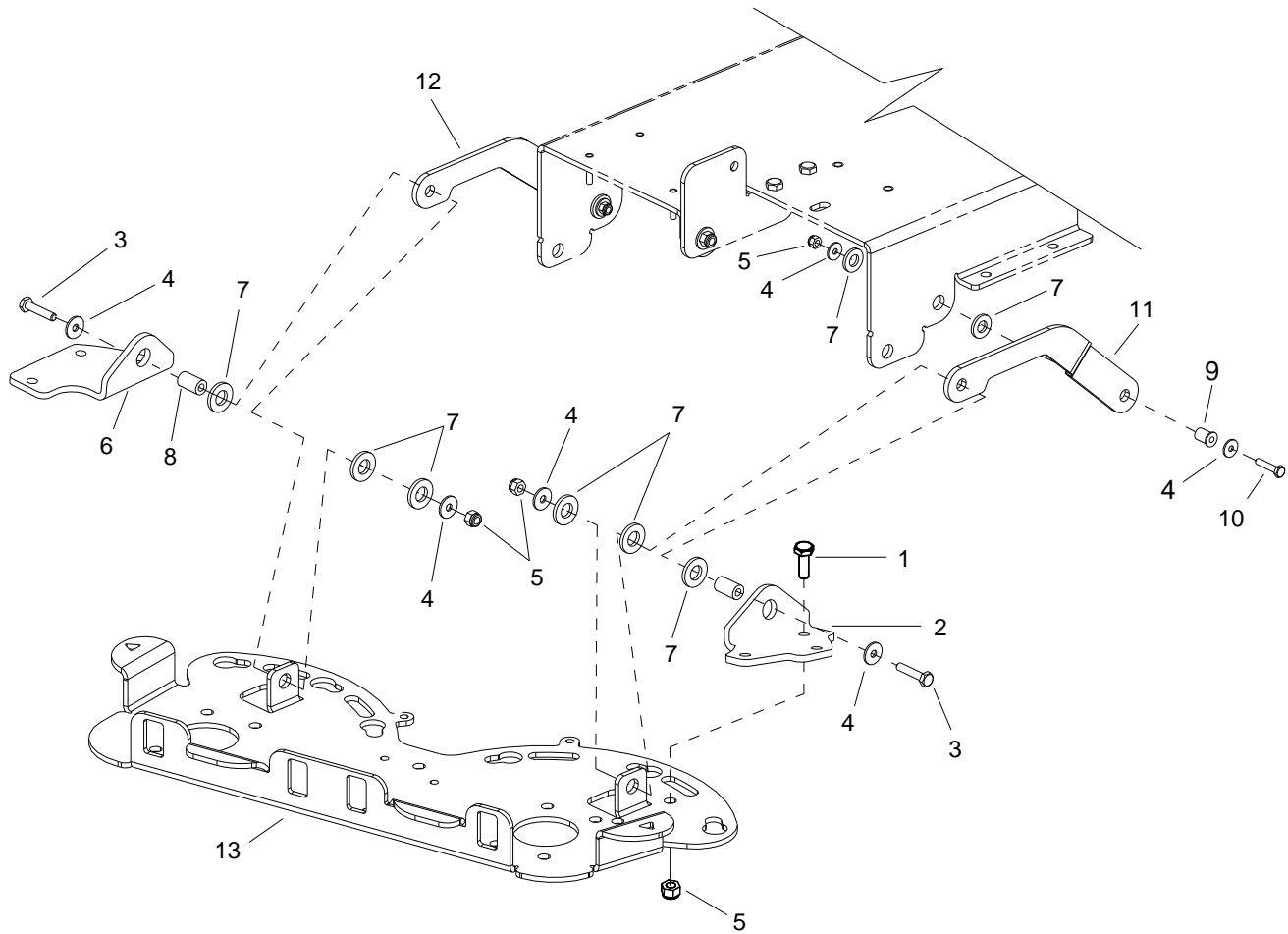


REF	PART NO.	QTY	DESCRIPTION	SERIAL NO. FROM	NOTES:
1	86005320	2	MOTOR ASM, 24VDC 200RPM GEAR		
-	86001360	-	BRUSH SET, CCL MOTORS		NOT SHOWN
2	86002830	2	CABLE TIE, .375 X 24.7		
3	86010790	8	WASHER, 3/8 SPLIT LOCK PLTD		
4	86276970	8	SCR, 3/8-16 X 3/4 HHCS SS		
5	86007020	2	SCR, 5/16-18 X 1.25 HHCS SS		
6	86279130	2	WASHER, 5/16 SPLIT LOCK PLTD		
7	86279630	2	WASHER, .344ID X 1.13OD X .09T PLTD		
8	86003420	2	DRIVER, BRUSH SD		
9	86004810	2	KEY, 1/4 SQ. X 1.00		SUPPLIED W/ MTR
10	86279640	2	WASHER, .78ID X 1.63OD X .25T PLTD		



REF	PART NO.	QTY	DESCRIPTION	SERIAL NO. FROM	NOTES:
1	86290040	10	SCR, 5/16-18 X 3/4 BSHCS SS		
2	86069650	1	BRACKET, SHROUD LEFT		
3	86271900	19	NUT, 10-24 HEX NYLOCK THIN SS		
4	86010650	19	WASHER, #10 X 9/16 ODS		
5	86062940	1	SHROUD, SCRUBDECK 26" LEFT		
6	86277110	19	SCR, 10-24 X 3/4 PPHMS SS		
7	86161800	1	LATCH & CONCEALED KEEPER		
8	86271840	12	NUT, 5/16-18 HEX NYLOCK THIN SS		
9	86292500	10	WASHER, 5/16 ID X 9/16 OD SS		
10	86270920	4	NUT, 6-32 HEX NYLOCK SS		
11	86273950	4	SCR, 6-32 X 1/2 PPHMS SS		
12	86062950	1	SHROUD, SCRUBDECK 26" RIGHT		
13	86011020	1	WHEEL, 3" DIA CUSHION RUBBER		
14	86001350	1	BUSHING, SPANNER, .435 X 1.10		
15	86277150	1	SCR, 5/16-18 X 2 BSHCS SS		
16	86082950	1	PLATE, BUMPER WHEEL ATTACH		
17	86069640	1	BRKT, SHROUD RIGHT		
18	86066380	1	BAND, SHROUD SKIRT LEFT		
19	86007440	1	SKIRT, 26INCH LEFT		
20	86066390	1	BAND, SHROUD SKIRT RIGHT		
21	86007450	1	SKIRT, 26INCH RIGHT		
22	86004730	-	SHROUD ASM, 26" RIGHT SCRUBHEAD		
23	86004740	-	SHROUD ASM, 26" LEFT SCRUBHEAD		
24	86244100	1	LABEL, AQUA-MIZER™		

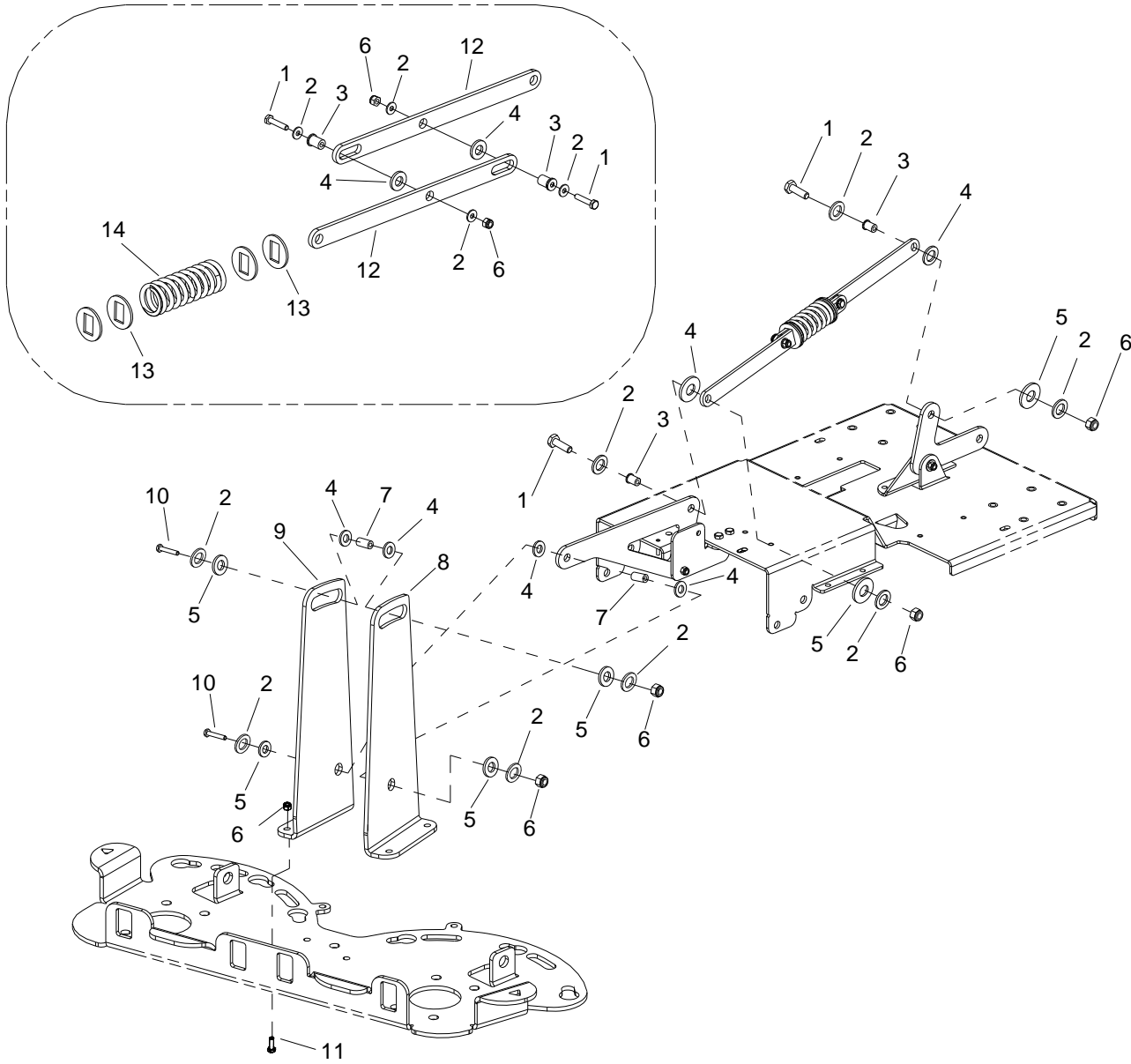
Scrub Deck Lift Linkage - 26IN Scrub Deck



Scrub Deck Lift Linkage - 26IN Scrub Deck

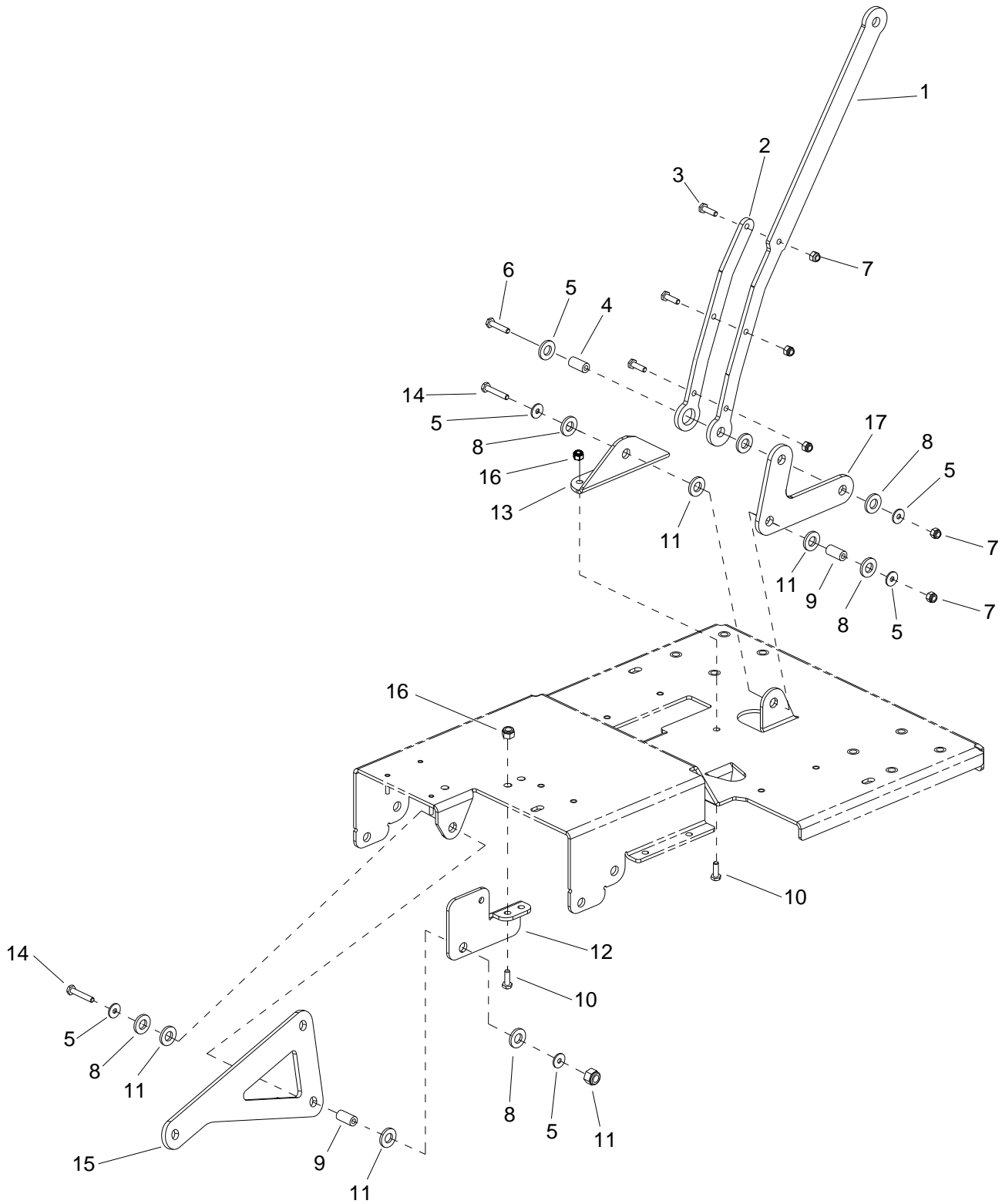
REF	PART NO.	QTY	DESCRIPTION	SERIAL NO. FROM	NOTES:
1	86273780	6	SCR, 1/4-20 X 3/4 HHCS SS NP		
2	86069910	1	BRACKET, ANGLE SUPPORT LEFT		
3	86273740	2	SCR, 1/4-20 X 1.5 HHCS SS		
4	86010630	8	WASHER, 1/4ID X 5/8OD SS		
5	86271870	10	NUT, 1/4-20 HEX NYLOCK THIN SS		
6	86069920	1	BRACKET, ANGLE SUPPORT RIGHT		
7	86259400	10	WASHER, THRUST .51ID X 1OD BRO		
8	86228920	2	BEARING, .252ID X .503OD X 1.0		
9	86228900	2	BEARING FLANGED .252ID X .503OD		
10	86273820	2	SCR, 1/4-20 X 1.25 HHCS SS		
11	86066770	1	BAR LINK LEFT		
12	86066720	1	BAR LINK, RIGHT		
13	86236650	1	FRAME, W24V SCRUB DECK		

Scrub Deck Lift Linkage - Center

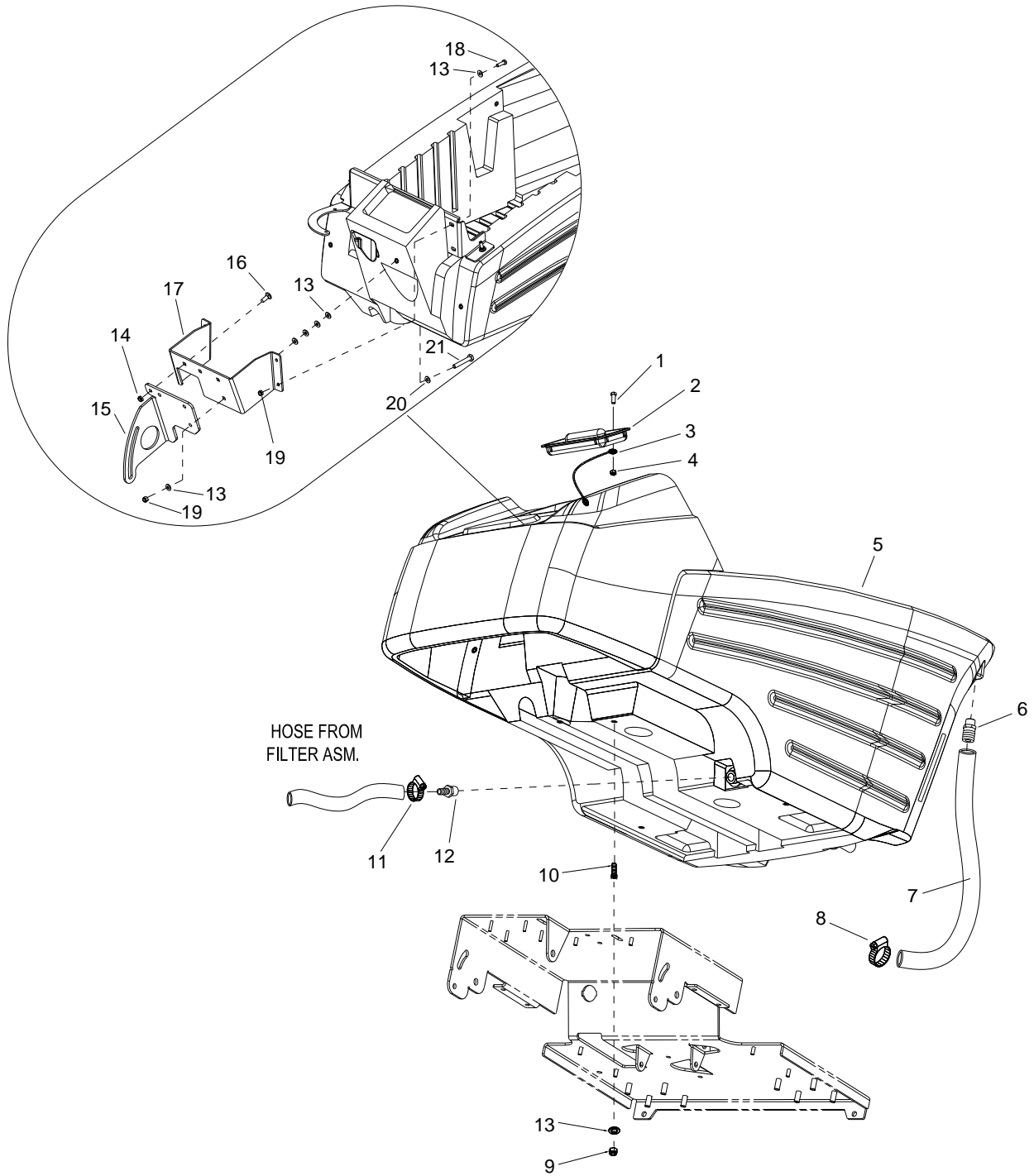


REF	PART NO.	QTY	DESCRIPTION	SERIAL NO. FROM	NOTES:
1	86273820	4	SCR, 1/4-20 X 1.25 HHCS SS		
2	86010630	12	WASHER, 1/4 ID X 5/8 OD SS		
3	86228900	4	BEARING FLANGED, .252 ID X .503 OD		
4	86259400	8	WASHER, THRUST .51 ID X 1 OD BRO		
5	86259410	6	WASHER, THRUST .51 ID X 1 OD X .063		
6	86271870	10	NUT, 1/4-20 HEX NYLOCK THIN SS		
7	86228920	2	BEARING, .252 ID X .503 OD X 1.0		
8	86070210	1	BRKT, SCRUB DECK LIFT L.H.		
9	86070200	1	BRKT, SCRUB DECK LIFT R.H		
10	86273740	2	SCR, 1/4-20 X 1.5 HHCS SS		
11	86273780	4	SCR, 1/4-20 X 3/4 HHCS SS		
12	86066760	2	BAR, TENSIONER		
13	86090270	4	WASHER, RECTANGULAR HOLE		
14	86254880	1	SPRING, COMP 1.68 OD X 4.5 L X .234 W		

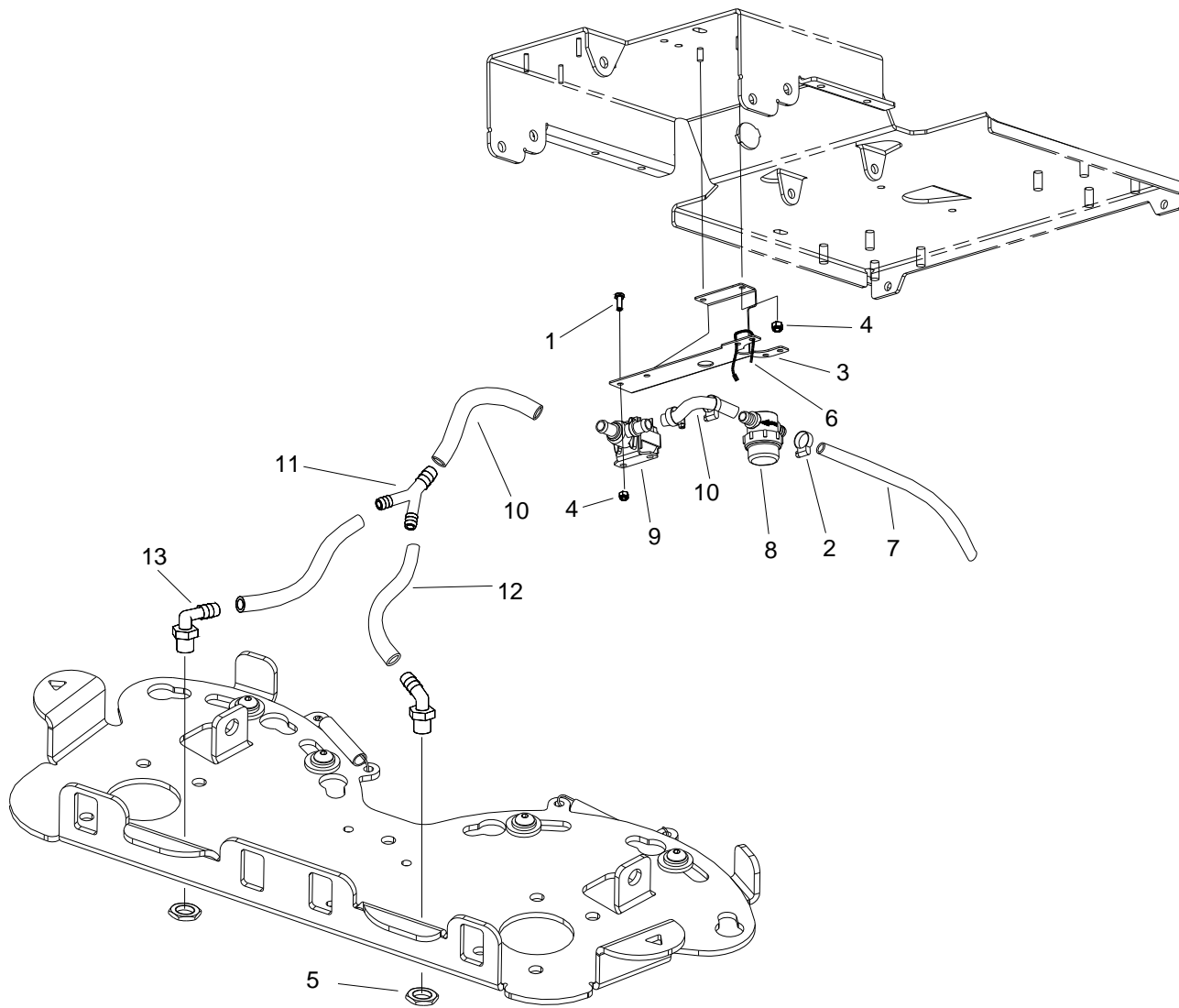
Scrub Deck Lift Linkage - Front & Rear



REF	PART NO.	QTY	DESCRIPTION	SERIAL NO. FROM	NOTES:
1	86066990	1	BAR, VERTICAL LINK		
2	86067000	1	BAR, VERTICAL BRACE		
3	86273810	3	SCR, 1/4-20 X 1 HHCS SS		
4	86228900	1	BEARING, FLANGED .252ID X .503OD		
5	86010630	6	WASHER, 1/4ID X 5/8OD SS		
6	86273820	1	SCR, 1/4-20 X 1.25 HHCS SS		
7	86271870	6	NUT, 1/4-20 HEX NYLOCK THIN SS		
8	86259410	5	WASHER, THRUST .51ID X 1OD X .063		
9	86228920	2	BEARING, .252ID X .503OD X 1.0		
10	86276780	4	SCR, 5/16-18 X 3/4 HHCS SS		
11	86259400	5	WASHER, THRUST .51ID X 1OD BRO		
12	86069750	1	BRACKET, FRAME MOUNT		
13	86069900	1	BRKT, BELL CRANK SUPPORT REAR		
14	86273740	2	SCR, 1/4-20 X 1.5 HHCS SS		
15	86066740	1	BAR, DECK LINKAGE FRONT		
16	86271840	4	NUT, 5/16-18 HEX NYLOCK THIN SS		
17	86066750	1	BAR, DECK LINKAGE, REAR		

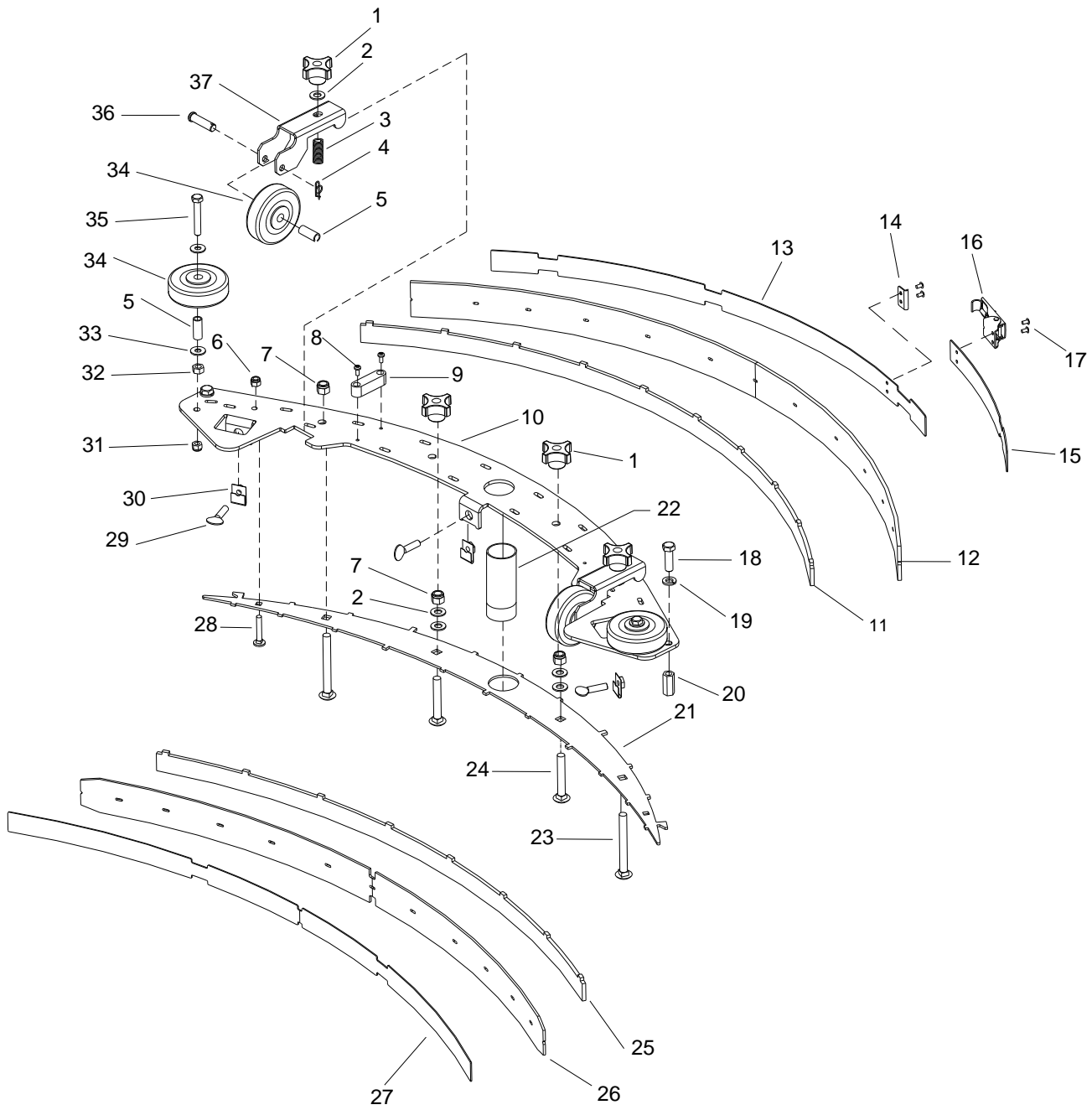


REF	PART NO.	QTY	DESCRIPTION	SERIAL NO. FROM	NOTES:
1	86273950	1	SCR, 6-32 X 1/2 PPHMS SS		
2	86234790	1	COVER, CLP SOLUTION		
3	86246080	1	LANYARD, 18.0 W/ LOOP & EYE		
4	86014810	1	NUT, 6-32 ACORN SS		
5	86393010	1	TANK, SOLUTION, HD 24V, BLK		
6	86240460	1	HOSEBARB, 1/2 MPT X 1.0 HOSE		
7	86282050	1	HOSE, 1.0ID X .12W CLR X 24.5"		
8	86233110	1	CLAMP, 1.0" WORM GEAR		
9	86271840	4	NUT, 5/16-18 HEX NYLOCK THIN SS		
10	86276380	4	SCR, 5/16-18 X 1.25 SSSCU		
11	86233150	1	CLAMP, 3/8 HOSE (D-SLOT)		
12	86197910	1	HOSEBARB, 1/2 MPT X 1/2 POLY DL		
13	86010670	13	WASHER, 5/16 FLAT SS		
14	86005630	2	NUT, 3/8-16 HEX NYLOCK THIN SS		
15	86070160	1	BRKT, SCRUB DECK GUIDE, 24V		
16	86277280	2	SCR, 3/8-16 X 1.00 CARRIAGE SS		
17	86068160	1	BRACKET, TANK BRACE		
18	86006560	4	SCR, 5/16-18 X 1 HHCS SS NP		
19	86271840	5	NUT, 5/16 HEX NYLOCK THIN SS		
20	86279650	1	WASHER, SEAL 5/16 X 3/4 OD SS		
21	86274720	1	SCR, 5/16-18 X 1.50 HHCS SS		



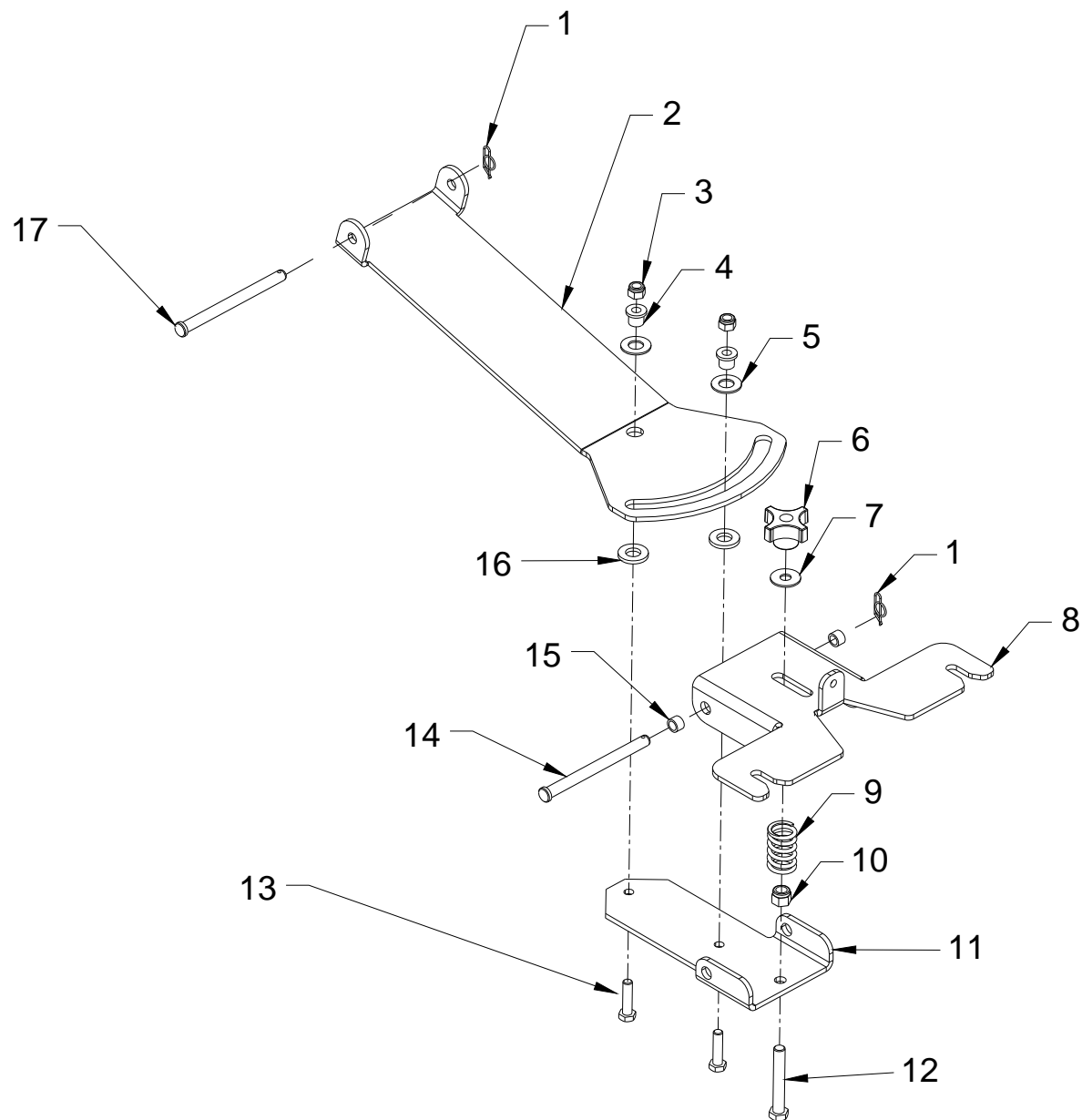
REF	PART NO.	QTY	DESCRIPTION	SERIAL NO. FROM	NOTES:
1	86273750	2	SCR, 1/4-20 X 5/8 HHCS SS NP		
2	86233150	3	CLAMP, 3/8 HOSE (D-SLOT)		
3	86069790	1	BRACKET, FILTER/SOLUTION MOUNT		
4	86271870	4	NUT, 1/4-20 HEX NYLOCK THIN SS		
5	86271830	2	NUT, 3/8 NPT PLASTIC		
6	86264940	4	CABLE TIE, 11.38" UL/CSA		
7	86282190	1	HOSE, 1/2" ID WIRE BOUND X 13"		
8	86007560	1	STRAINER, 1/2 HOSE 20 MESH		
-	86005870	1	O-RING, FILTER SEAL RON-VIK		
-	86007750	1	SCREEN, 20 MESH STRAINER		
-	86613160	-	CAP, STRAINER SHORT		
9	86010540	1	VALVE, 24VDC SOL 1/2" HOSEBARB		
-	86003460	-	DIAPHRAGM SRVC PART SLND		
-	86136820	-	SOLENOID SPRING KIT		
10	86281100	2	HOSE, 1/2" WIRE BOUND X 7"		
11	86003580	1	FITTING, 1/2" X 3/8" x 3/8" RED T		
12	86280820	2	HOSE, 3/8 NYLOBRD X 10"		
13	86001550	2	HOSEBARB, 3/8 MPT X 3/8 90 D		

Squeegee - 26 IN Scrubhead

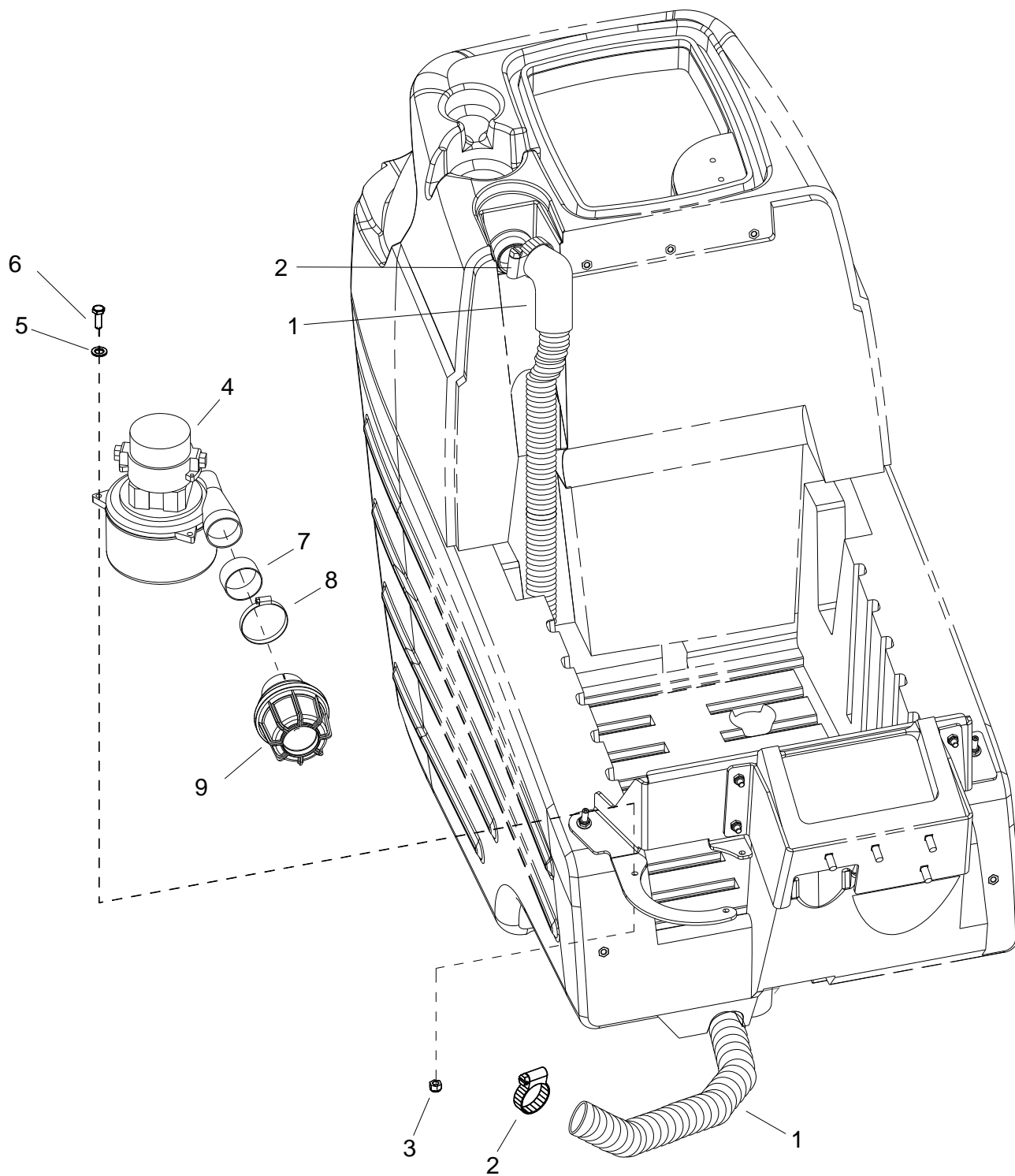


REF	PART NO.	QTY	DESCRIPTION	SERIAL NO. FROM	NOTES:
1	86009200	4	KNOB, 3/8-16 4 PRONG ALUM		
2	86010680	4	WASHER, 3/8 ID X 3/4 OD NYLON		
3	86007780	2	SPRING, COMP .60D X 2.0L X .045W		
4	86008660	2	COTTER, 5/16 RING		
5	86001350	4	BUSHING, SPANNER .435 X 1.10		
6	86271870	2	NUT, 1/4-20 HEX NYLOCK THIN SS		
7	86005630	4	NUT, 3/8-16 HEX NYLOCK THIN SS		
8	86274130	2	SCR, 8-32 X 3/8 PHTC 'F' PLTD		
9	86009910	1	VIAL, LEVEL		
10	86082420	1	PLATE, SQUEEGEE TOP 35"		
11	86082440	1	PLATE, REAR SQUEEGEE 35"		
12	86007430	1	SQUEEGEE, REAR BLADE LINATEX		
13	86137020	1	SQUEEGEE, REAR BLADE URETHANE		
14	86001340	1	BAND, REAR SQUEEGEE		
15	86009180	1	STRIKER, SQUEEGEE STRAP REAR		
16	86001330	1	BAND, REAR SQUEEGEE		
17	86009170	1	LATCH, SQUEEGEE STRAP		
18	86276920	4	RIVET, 5/32OD X 1/8 GRIP		
19	86010790	2	SCR, 3/8-16 X 1 HHCS SS NP		
20	86005840	2	WASHER, 3/8 SPLIT		
21	86082450	2	NUT, 3/8-16 HEX COUPLING SS		
22	86008390	1	PLATE, SQUEEGEE BOTTOM 35"		
23	86276990	1	TUBE ASM, SQUEEGEE VAC		
24	86276870	2	SCR, 3/8-16 X 3.5 CARRIAGE SS		
25	86082430	2	SCR, 3/8-16 X 2.5 CARRIAGE SS		
26A	86008020	1	BLADE, SQUEEGEE FRONT LINATEX 35"		
26B	86137030	1	SQUEEGEE, FRONT BLADE URETHANE		
27	86066370	1	BAND SQUEEGEE FRONT		
28	86277000	2	SCR, 1/4-20 X 1.5 CARRIAGE SS		
29	86007040	3	SCR, 5/16-18 X 1 THUMB SS TYPE P		
30	86271820	3	NUT, 5/16-18 CAPTIVE "J" PLTD		
31	86271840	2	NUT, 5/16-18 HEX NYLOCK THIN SS		
32	86005650	2	NUT, 5/16-18 HEX		
33	86010670	4	WASHER, 5/16 FLAT SS		
34	86011020	4	WHEEL, 3" DIA. CUSHION RUBBER		
35	86276980	2	SCR, 5/16-18 X 2.00 HHCS SS		
36	86006270	2	PIN, CLEVIS 5/16 X 1.63		
37	86069870	2	BRACKET, SQUEEGEE WHEEL		
38	86026530	-	SQUEEGEE ASM 26 IN SCRUBHEAD		SERVICE ASM

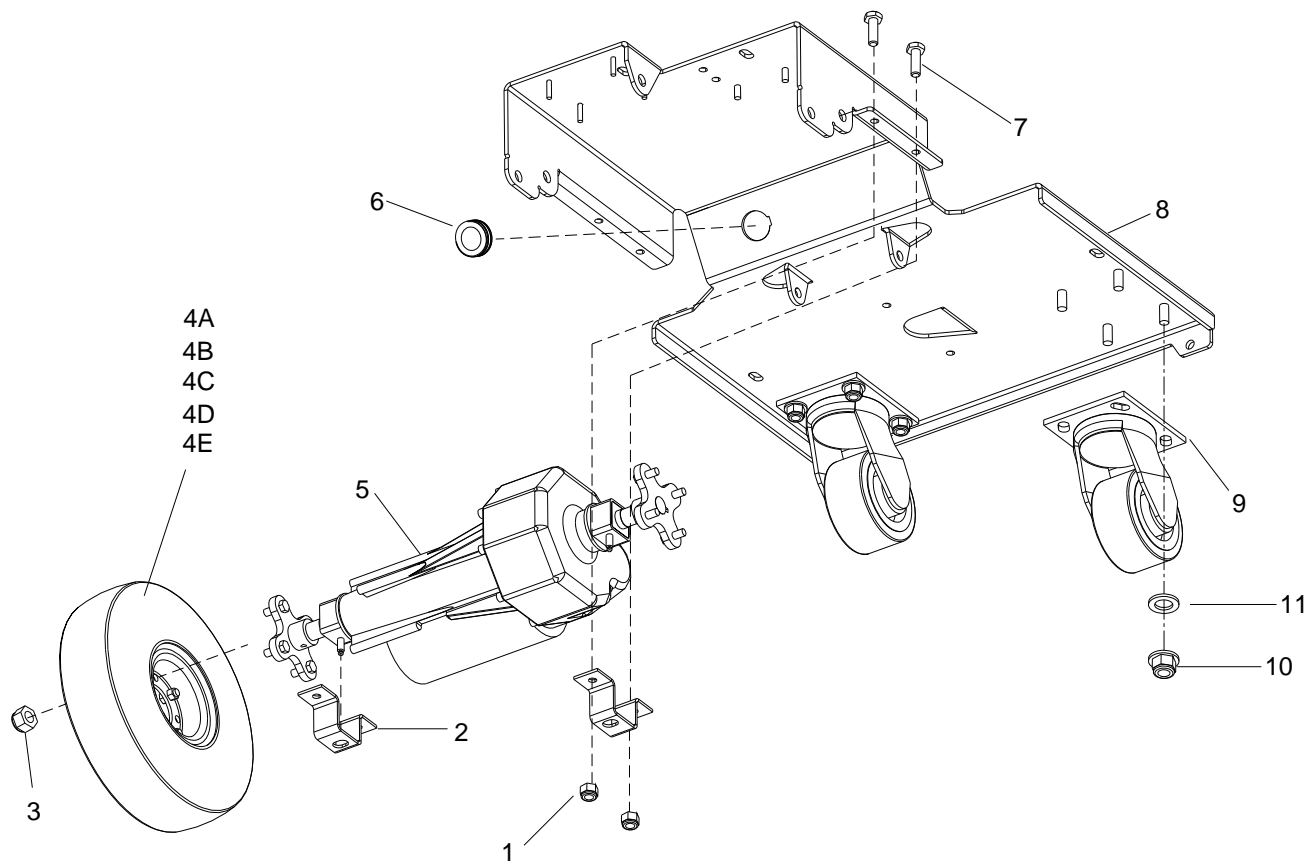
Squeegee Lift Linkage (Lower)



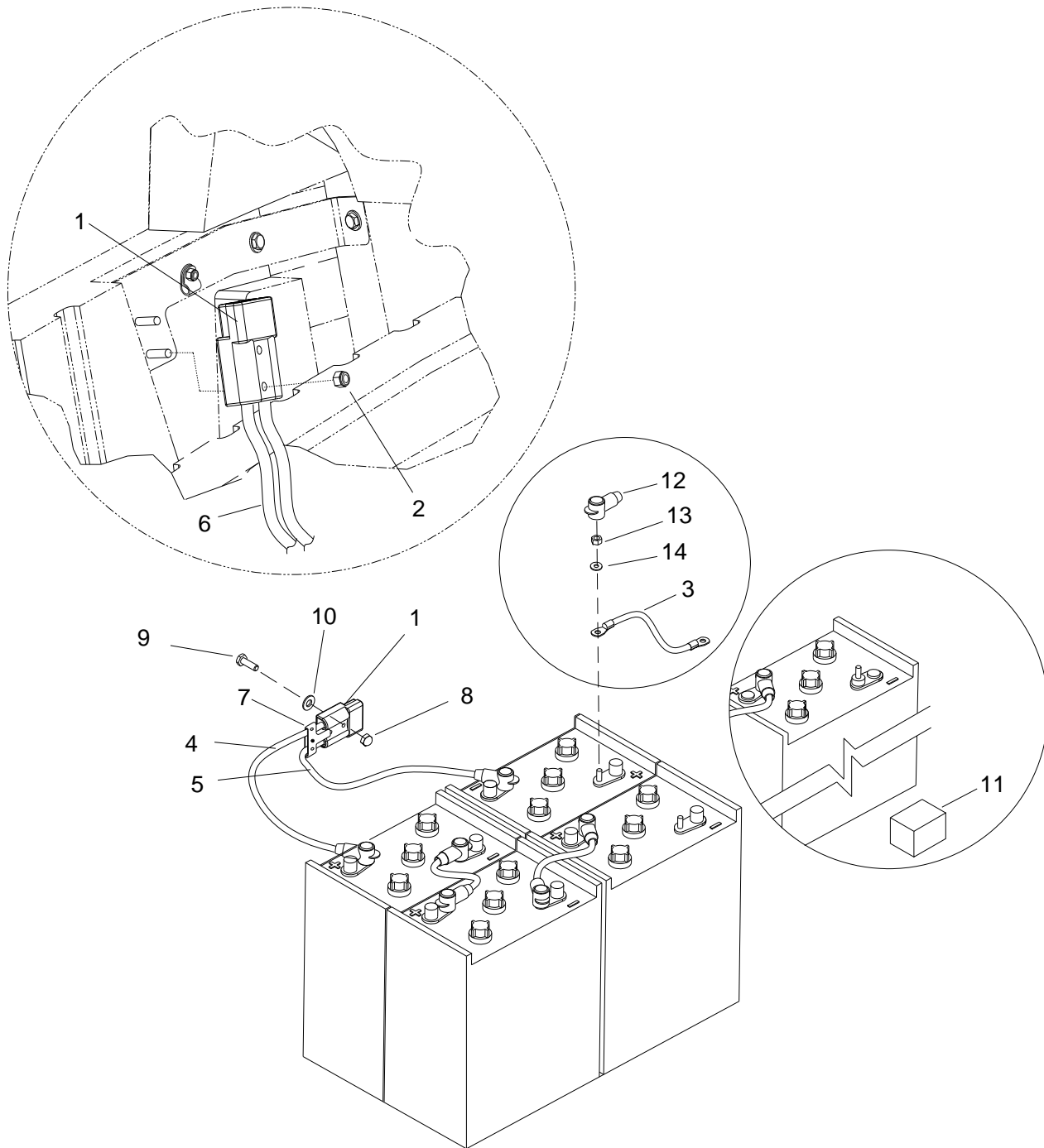
REF	PART NO.	QTY	DESCRIPTION	SERIAL NO. FROM	NOTES:
1	86008670	2	COTTER, 3/8" RING		
2	86069450	1	BRACKET, SQG PIVOT LIFT		
3	86271840	2	NUT, 5/16-18 HEX NYLOCK THIN SS		
4	86228840	2	BEARING, FLANGED .314ID X .502OD		
5	86259420	2	WASHER, THRUST .51ID X 10DBRO		
6	86009200	1	KNOB, 3/8-16 4 PRONG ALUM		
7	86279510	1	WASHER, 3/8 FLAT		
8	86082150	1	PLATE, SQUEEGEE MOUNT		
9	86007270	1	SPRING, COMP 1.10OD X 2.0L X .148W		
10	86005630	1	NUT, 3/8-16 HEX NYLOCK THIN SS		
11	86072530	1	BRACKET, CAMBER PIVOT		
12	86276870	1	SCR, 3/8-16 X 2.50 CARRIAGE SS		
13	86277130	2	SCR, 5-16-18 X 1.00 CARRIAGE SS		
14	86249060	1	PIN, CLEVIS 3/8 X 4.63 PLTD		
15	86008870	2	BEARING, FLANGED 3/8" ID X 11/16"		
16	86259400	2	WASHER, THRUST .51ID X 10D BRO		
17	86008860	1	PIN, CLEVIS 3/8" X 5.5"L PLTD		



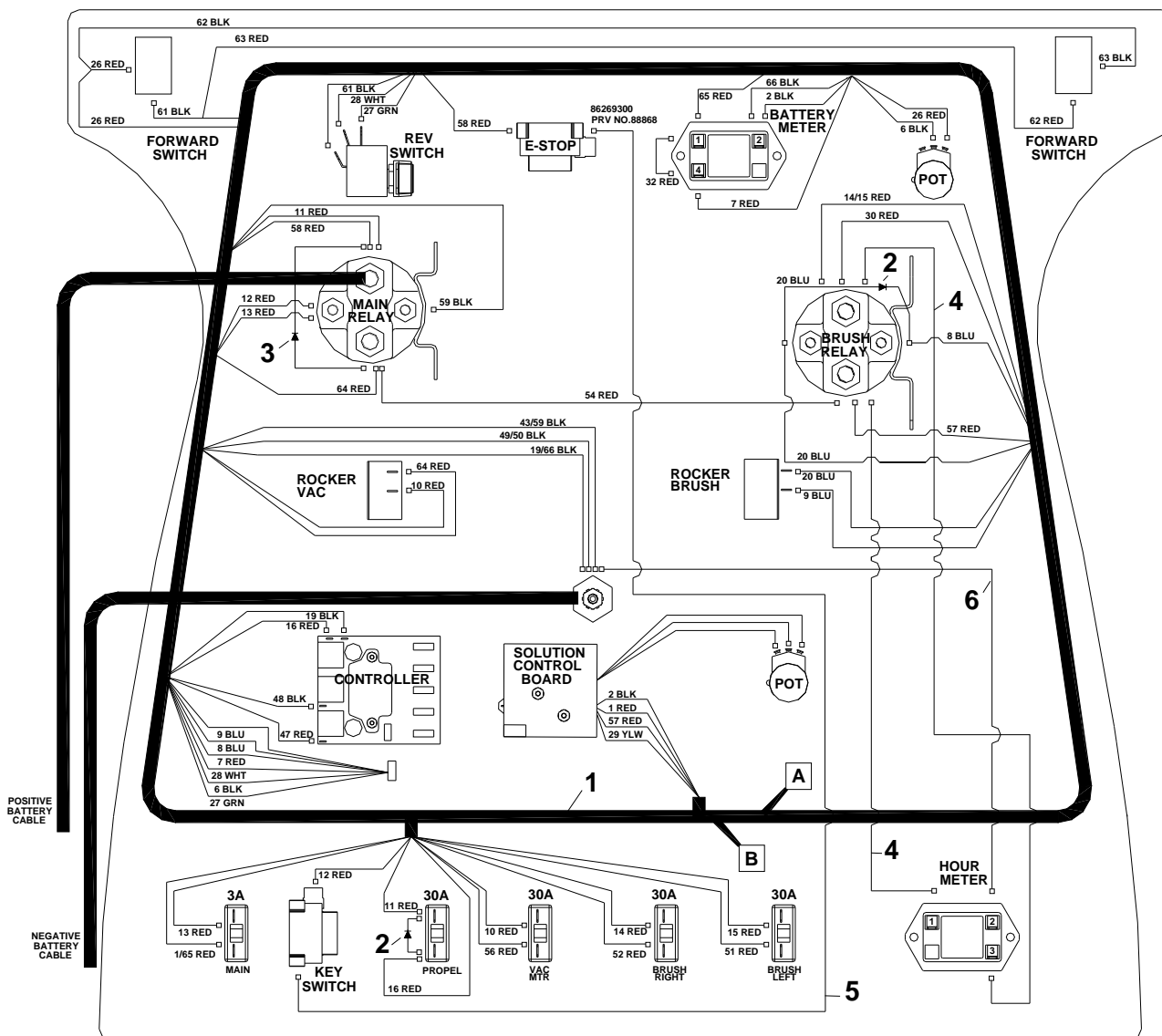
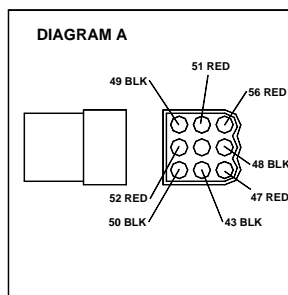
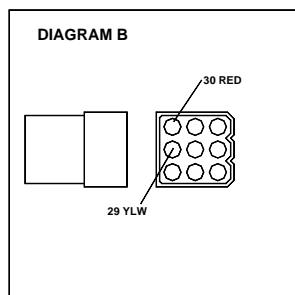
REF	PART NO.	QTY	DESCRIPTION	SERIAL NO. FROM	NOTES:
1	86001620	1	HOSE ASM, 1.5 BLK VAC X 67		
2	86002400	2	CLAMP, 2.0" WORM GEAR X .312W		
3	86271870	3	NUT, 1/4-20 HEX NYLOCK THIN SS		
4	86005460	1	VAC MOTOR ASM, 24VDC 3 STAGE		
-	86135310	-	BRUSH SET, 24V/36V VAC WINDSOR		
5	86010630	3	WASHER, 1/4ID X 5/8OD SS		
6	86273810	3	SCR, 1/4-20 X 1 HHCS SS		
7	86091170	1	TUBE, 2.0 OD X 1.0L		
8	86233430	1	CLAMP, 2.50 WORM GEAR		
9	86064910	1	MUFFLER, VAC MOTOR		



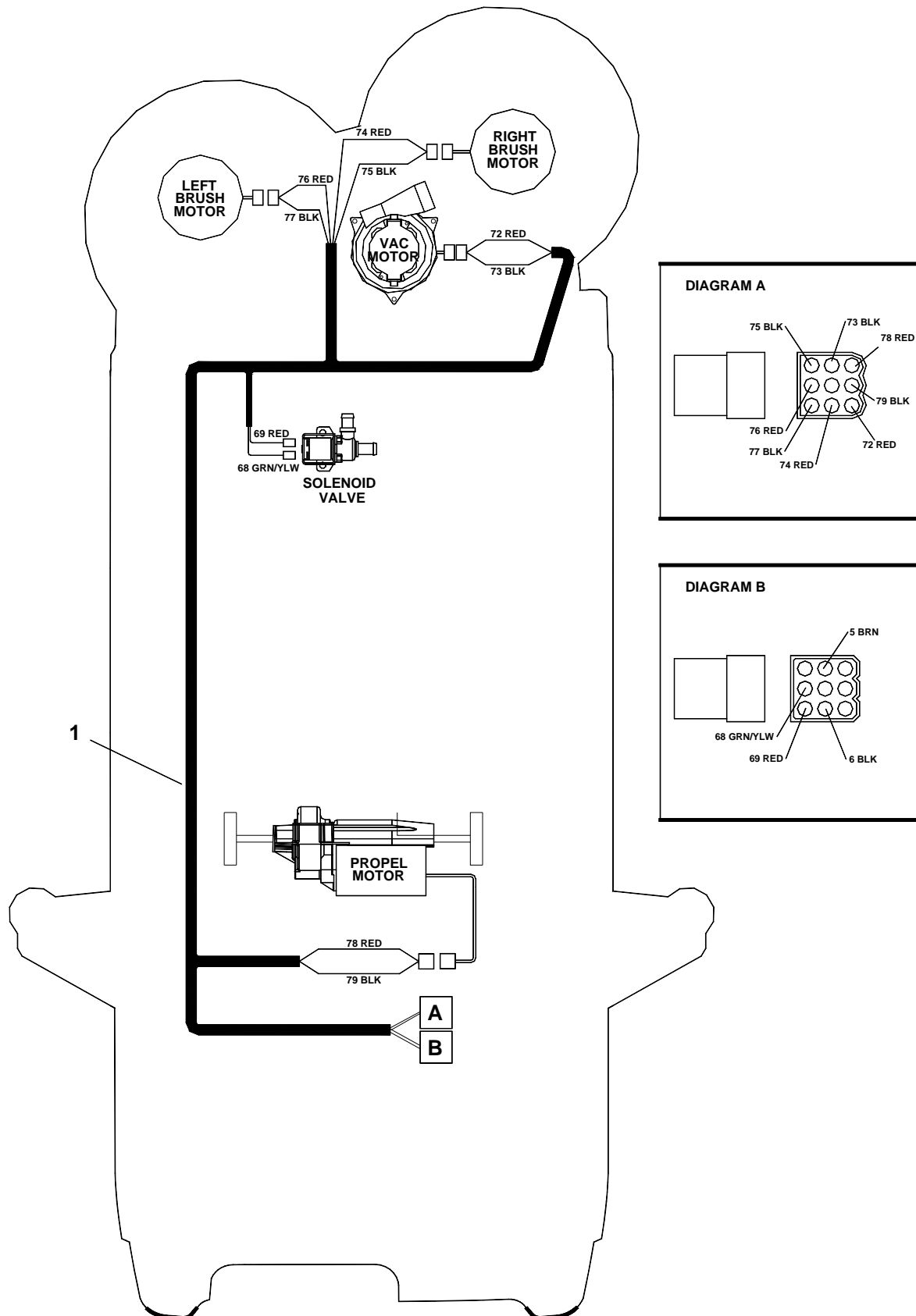
REF	PART NO.	QTY	DESCRIPTION	SERIAL NO. FROM	NOTES:
1	86271840	4	NUT, 5/16-18 HEX NYLOCK THIN SS		
2	86230330	2	BRACKET, TRANSAXLE MOUNT		
3	86271860	8	NUT, 5/16-24 HEX NYLOCK SS		
4A	86011050	2	WHEEL ASM, 10" FMFL BLK KNOBBY		
4B	86011040	-	WHEEL ASM, 10" FMFL N-MARKING		OPTIONAL
4C	86137420	-	WHEEL ASM, 10" SOLID SPCL SCBR		OPTIONAL
4D	86354660	-	WHEEL, 10" BLK KNOBBY POLY FILL		OPTIONAL
4E	86354670	-	WHEEL, 10" N-MRKNG POLY FILL		OPTIONAL
5	86000800	1	AXLE MOTOR, 24VDC		
-	86216150	-	BRUSH SET, 24V TRANSAXLE		
-	86004660	-	HUB KIT, 05128 TRANSAXLE		
-	86241840	-	KEY, WOODRUFF .75ID HUB		
6	86238430	1	GROMMET, 1.00ID 3/16 GRIP		
7	86006560	4	SCR, 5/16-18 X 1 HHCS SS NP		
8	86092580	1	FRAME, MAIN 24V		
9	86002310	2	CASTER, 4 DIA X 2 W X 3.56R		
10	86270880	8	NUT, 3/8-16 SERRATED FLG		
11	86278910	8	WASHER, 3/8 ID X 7/8 OD SS		



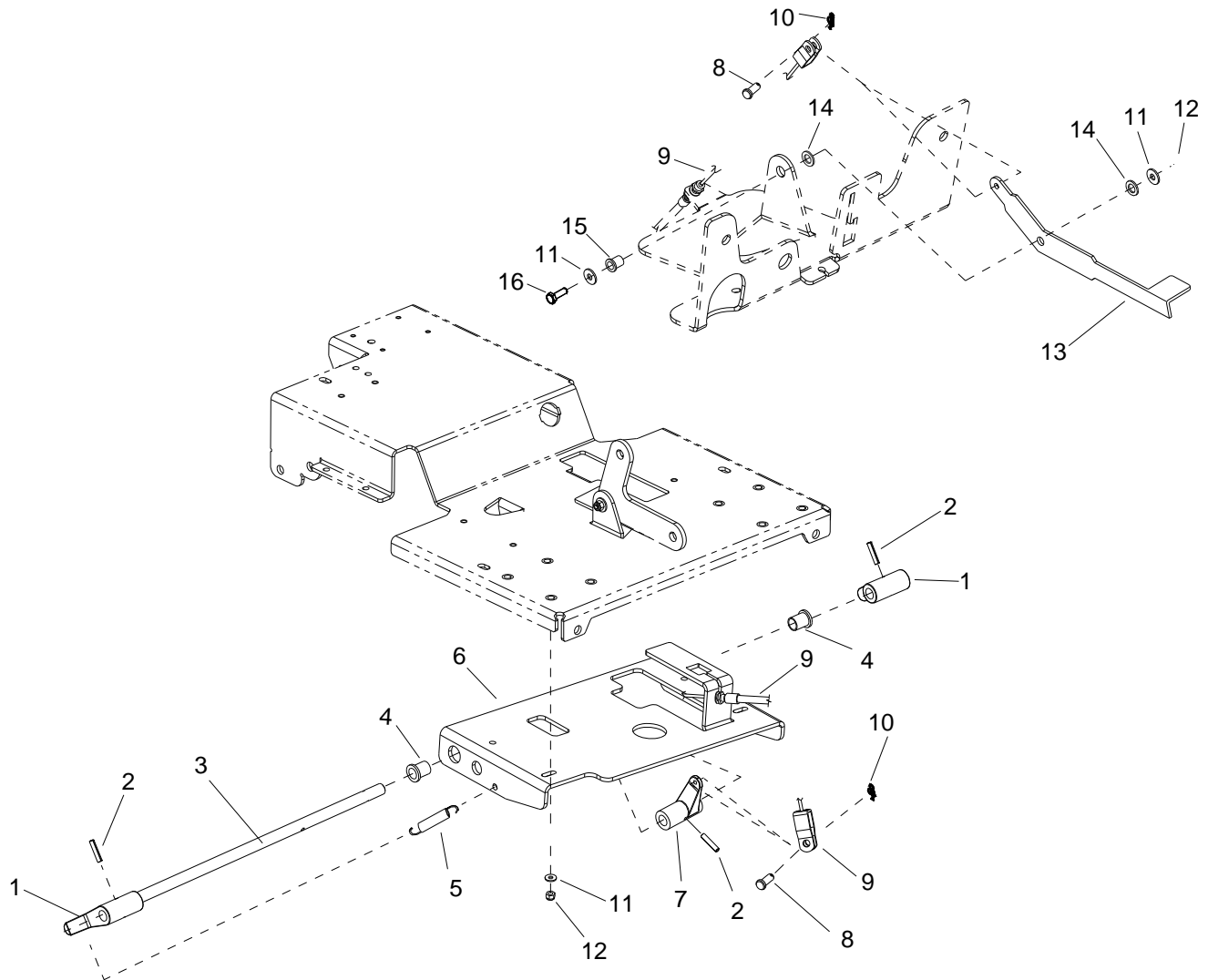
REF	PART NO.	QTY	DESCRIPTION	SERIAL NO. FROM	NOTES:
1	86010120	1	CONNECTOR, 175 DCA RED W/O TERMS		
2	86271870	2	CABLE ASM, BAT. JUMPER X 15"		
3	86009000	3	WIRE 4X9.5 BK 5/16 RING X 5/16 RING		
4	86010860	1	WIRE, 4X20 BK CTERM X 5/16 RING		
5	86010850	1	WIRE, 4X20 RD CTERM X 5/16 RING		
6	86260520	2	WIRE, 4X67 BK C. TERM 5/16 RING		
7	86233360	1	CLAMP, CABLE KIT SY945		
8	86270890	1	NUT, ACORN 10-32		
9	86273980	1	SCR, 10-32 X 3/4 PPHMS SS		
10	86010650	1	WASHER, #10 X 9/16 OD		
11	86312710	1	BLOCK, 3.5 X 4 X 5 FOAM		FOR 86312720 BATTERIES
12	86008920	8	BOOT, RUBBER TERM. ISOLATOR		
13	86271910	8	NUT, 5/16-18 FLEXLOCK		
14	86010670	8	WASHER 5/16 FLAT SS		
-	86002510	3	WIRE 4X 15 B CLAMP X B CLAMP		NOT SHOWN
-	86002570	1	WIRE, 4 X 27 RD B CLAMP X C TERM		NOT SHOWN
-	86002580	1	WIRE, 4 X 27 BK B CLAMP X C TERM		NOT SHOWN



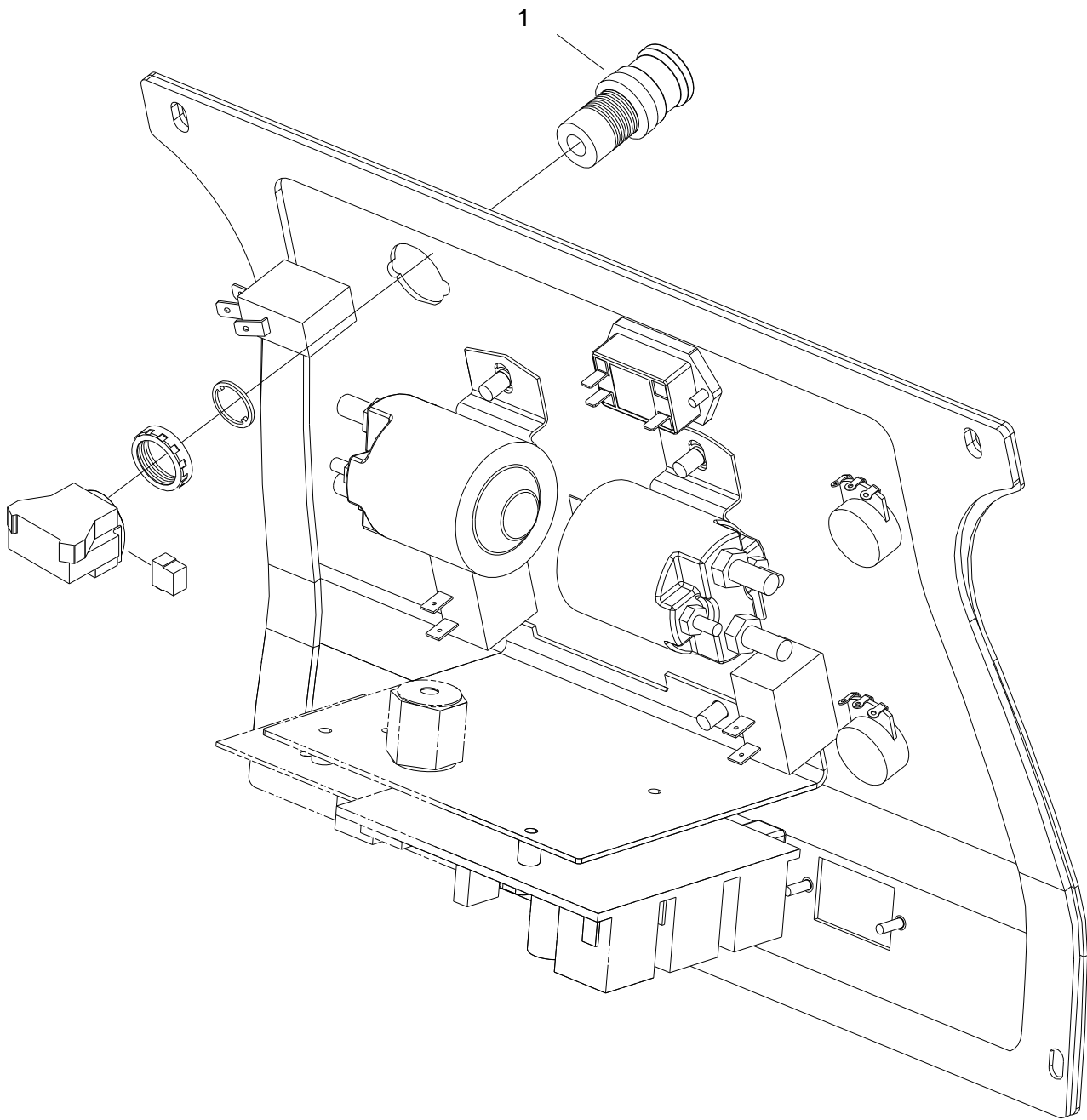
REF	PART NO.	QTY	DESCRIPTION	SERIAL NO. FROM	NOTES:
1	86239000	1	HARNESS, PANEL BASIC		
2	86261210	2	DIODE ASM, 76008 X 76008		
3	86003410	1	DIODE ASM, 76075 X 76075		
4	86267340	2	WIRE, 22" RED/18 76040 X 76075		
5	86269300	1	WIRE, 16" RED/18 STRIP X STRIP		
6	86267360	1	WIRE, 14" BLK/18 76011 X 76040		



REF	PART NO.	QTY	DESCRIPTION	SERIAL NO. FROM	NOTES:
1	86238980	1	HARNESS, MAIN		

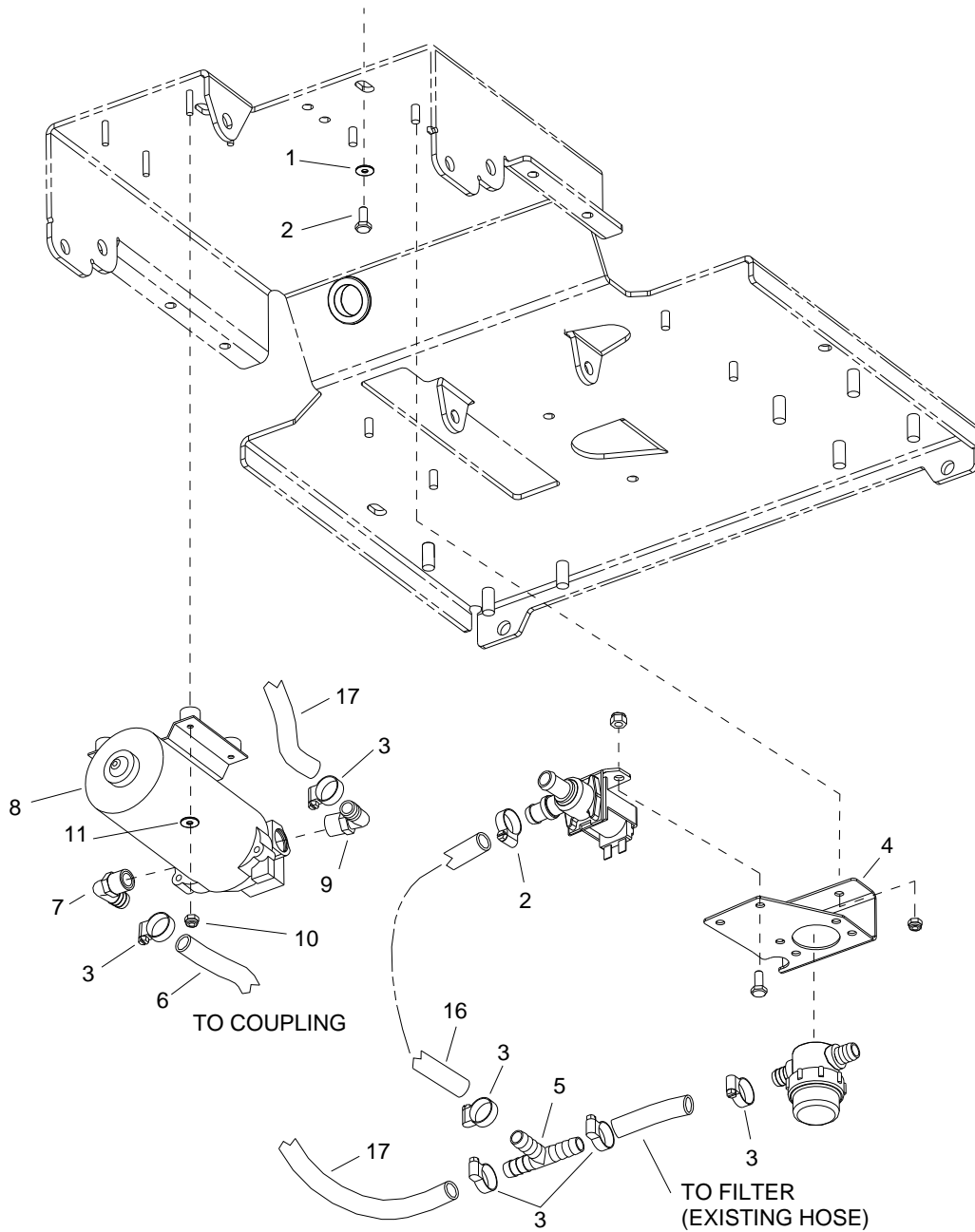
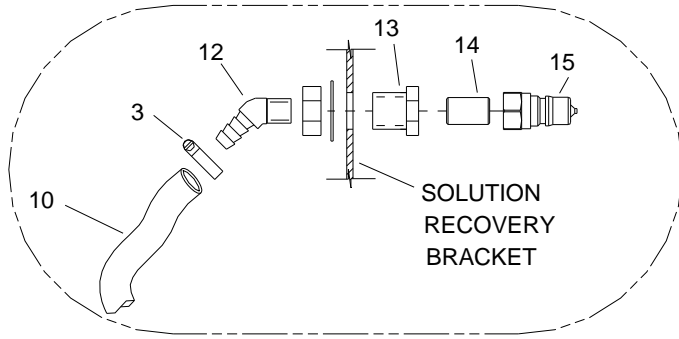


REF	PART NO.	QTY	DESCRIPTION	SERIAL NO. FROM	NOTES:
1	86248370	1	PAD, BRAKE		
2	86006220	3	PIN, ROLL 1/4 X 1.25L		
3	86252070	1	ROD, BRAKE 24V		
4	86231330	2	BUSH, BRZ FLG .63 X .75 X 1.0		
5	86255060	2	SPRING, EXT .43D X 2.50 L X .047 W		
6	86070070	1	BRKT, LOWER BRAKE MOUNT 24V		
7	86234850	1	CRANK, BRAKE		
8	86272610	2	PIN, CLEVIS 5/16" X 3/4" L PLTD		
9	86231820	1	CABLE, PARK BRAKE		
10	86008660	2	COTTER, 5/16" RING		
11	86010630	6	WASHER, 1/4 ID X 5/8 OD SS		
12	86271870	1	NUT, 1/4-20 HEX NYLOCK THIN SS		
13	86077280	1	LEVER, BRAKE		
14	86259400	2	WASHER, THRUST .51 ID X 1 OD BRO		
15	86228900	1	BEARING, FLANGED .252ID X .503OD		
16	86273820	1	SCR, 1/4-20 X 1.25 HHCS SS		



REF	PART NO.	QTY	DESCRIPTION	SERIAL NO. FROM	NOTES:
1	86007180	1	SWITCH, EMERGENCY STOP		
-	86269300	1	WIRE, 16" RED/18 STRIP X STRIP		NOT SHOWN

Accessory Pump - Optional



REF	PART NO.	QTY	DESCRIPTION	SERIAL NO. FROM	NOTES:
1	86010670	1	WASHER, 5/16 FLAT SS		
2	86276780	1	SCR, 5/16-18 X 3/4 HHCS SS		
3	86233150	6	CLAMP, 3/8 HOSE (D-SLOT)		
4	86070140	1	BRKT, FILTER/SOLENOID MOUNT		
5	86240410	1	HOSEBARB, 1/2 TEE		
6	86282200	1	HOSE 3/8 X 40" WIRE BOUND		
7	86001550	1	HOSEBARB, 3/8MPT X 3/8 90D		
8	86026370	1	PUMP ASM, 24V ACCESSORY		
9	86197940	1	HOSEBARB, 3/8MPT X 1/2 90 D DL		
10	86270990	4	NUT, 10-32 HEX NYLOCK SS		
11	86010650	4	WASHER, #10 X 9/16 OD		
12	86197620	1	HOSEBARB, 1/4MPT X 3/8 45D DL		
13	86002470	1	COUPLING, 1/4 ANCHOR W/1" HEX		
14	86005590	1	NIPPLE, 1/4 CLOSE		
15	86005580	1	NIPPLE, 1/4 FPT QD		
16	86282110	1	HOSE, 1/2" ID WIREBOUND X 5.5		
17	86280750	1	HOSE, 1/2 ID WIREBOUND X 21"		
-	86239020	1	HARNESS PUMP KIT ADAPTER		NOT SHOWN
-	86264940	3	CABLE TIE, 11.38" UL/CSA		NOT SHOWN

Serial Number

REF. NO.	MODEL: SERIAL #
1	N/A

