



Spare Parts List

(1.005-228.0)

Saber Cutter - Euro - 36V - Standard

From Serial Number (Ref No. 1*)

* See Serial Number page
or call manufacturer.

How to Use this Spare Parts List

The PARTS LIST section contains assembled parts illustrations and corresponding parts list. The parts lists include a number of columns of information:

- REF - column refers to the reference number on the parts illustration.
- PART NO. - column lists the part number for the part.
- QTY - column lists the quantity of the part used in that area of the machine.
- DESCRIPTION - column is a brief description of the part.
- SERIAL NO. FROM - If this column has an (*) and a Reference number, see the SERIAL NUMBERS page in the back of your manual. If column has two asterisk (**), call manufacturer for serial number. The serial number indicates the first machine the part number is applicable to. The main illustration shows the most current design of the machine. When a boxed illustration is shown, it displays the older design.
- NOTES - column for information not noted by the other columns.

NOTE: *If a service or option kit is installed on your machine, be sure to keep the KIT INSTRUCTIONS which came with the kit. It contains replacement parts numbers needed for ordering future parts.*

How to Use this Spare Parts List2

Table of Contents3

Control Handle 4

Cover (Front) & Tank Mount 6

Cover (Top) & Tank Mount 8

Decal 10

Electrical Panel 12

Lift Handle 14

Lift Handle Linkage 16

Recovery Tank 18

Scrub Brush & Pad Driver 32 IN 20

Scrub Deck Aqua-Mizer™ 22

Scrub Deck Motors 24

Scrub Deck Skirt 26

Scrub Deck Lift Linkage 28

Solution 32

Squeegee 36

Squeegee Lift Linkage (Lower) 38

Vacuum 40

Wheels & Frame 42

Wiring - Battery 44

Wiring - Control Panel 46

Wiring - Main Harness 48

Wiring - Schematic 50

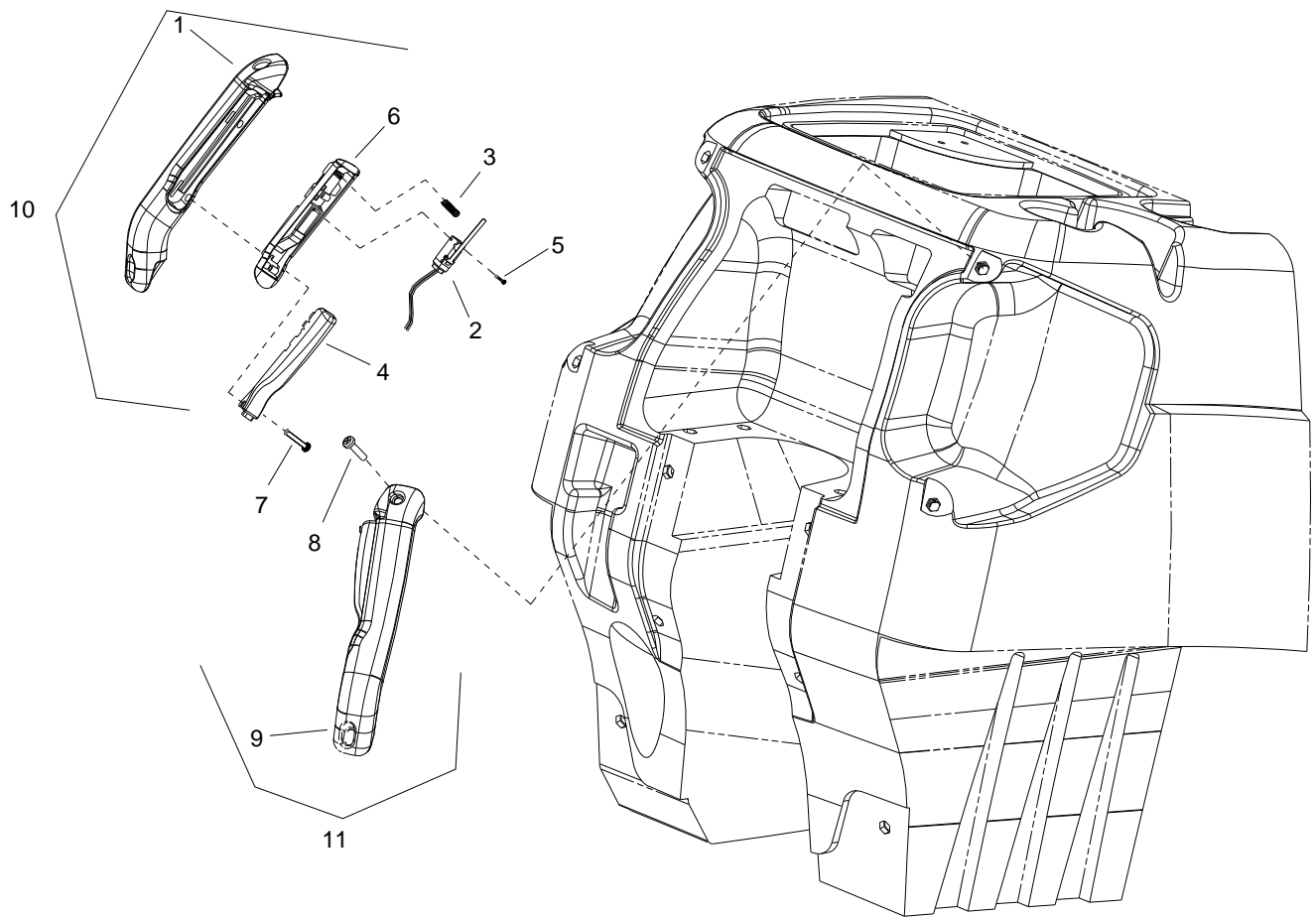
Brake 52

Emergency Stop 54

Accessory Pump - Optional 56

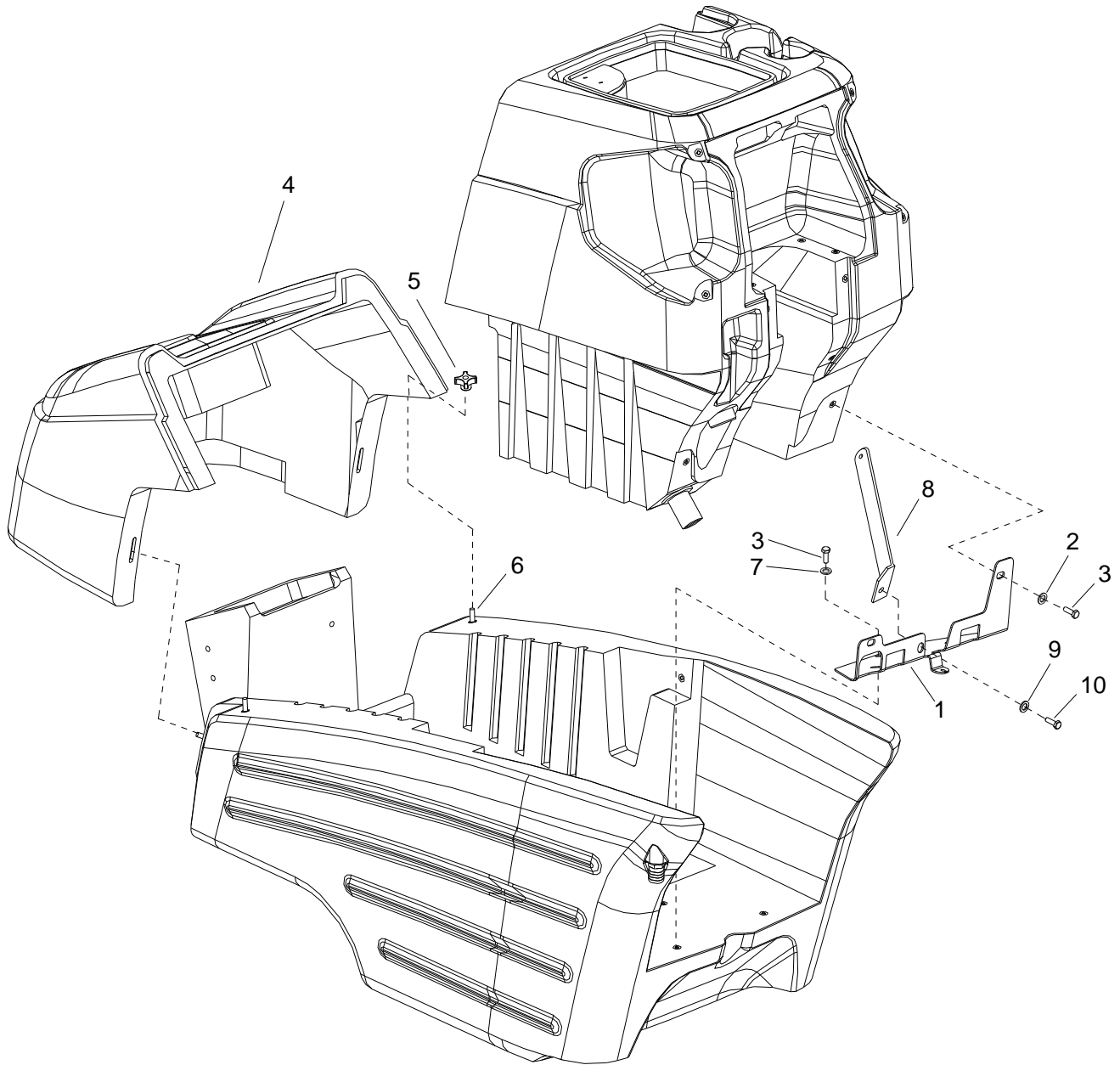
Serial Number58

Control Handle



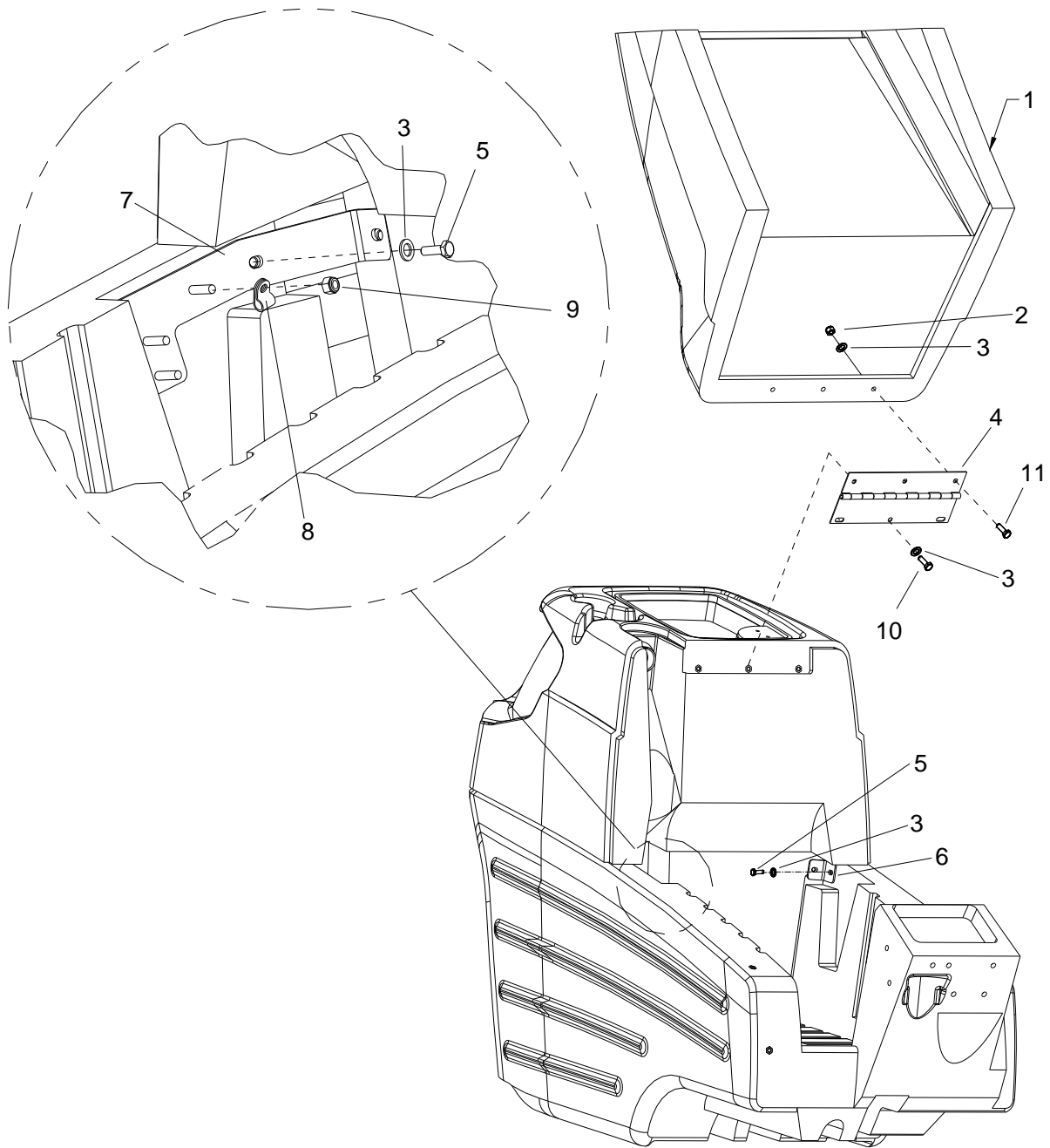
REF	PART NO.	QTY	DESCRIPTION	SERIAL NO. FROM	NOTES:
1	86238730	1	HANDLE, LEFT		
2	86257230	2	SWITCH, SPST MOM NO W/LEVER		
3	86254920	2	SPRING, COMP .240D X 1.25 X .018		
4	86338190	2	BUTTON PROPEL, YLW		
5	86277070	2	SCR, 4-40 X 5/8 PPHMS		
6	86240990	2	HOUSING, BUTTON		
7	86277060	4	SCR, 8-32 X 7/8 PHTC TYPE 23		
8	86277050	4	SCR, 5/16-18 X 3/4 SHCS NP		
9	86238740	1	HANDLE, RIGHT		
10	86338860	-	PROPEL HANDLE ASM, LEFT, YLW		
11	86338870	-	PROPEL HANDLE ASM, RT, YLW		

Cover (Front) & Tank Mount

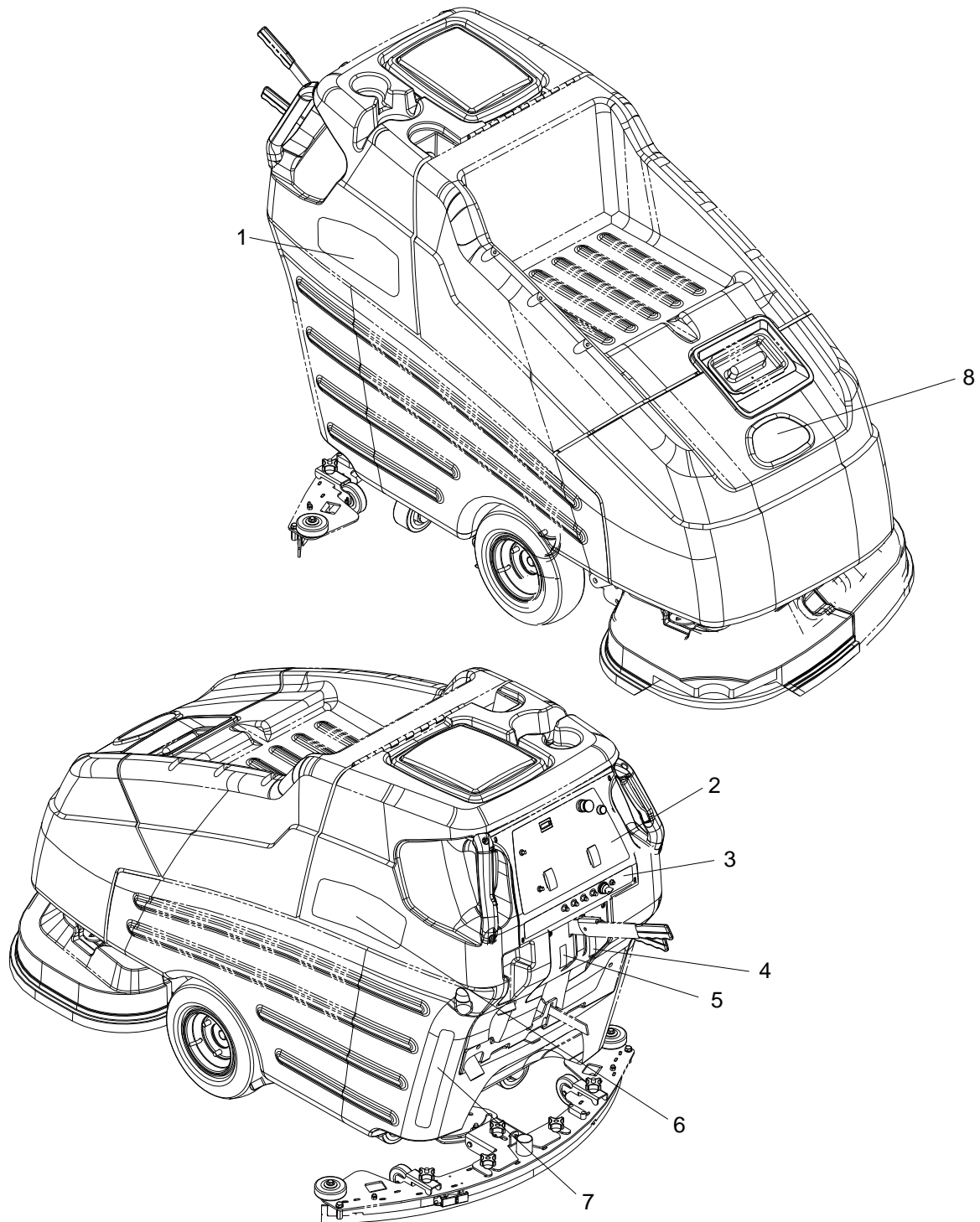


REF	PART NO.	QTY	DESCRIPTION	SERIAL NO. FROM	NOTES:
1	86073690	2	BRACKET, REC TO SOL W/BRAKE 36V		
2	86010670	2	WASHER, 5/16 FLAT SS		
3	86276780	5	SCR, 5/16-18 X 3/4 HHCS SS		
4	86013400	1	COVER, FRONT, 36V, BLK		
5	86377890	2	KNOB, 1.36" DIA X 5/16-18		
6	86276380	4	SCR, 5/16-18 X 1.25 SSSCU		
7	86279630	3	WASHER, .344ID X 1.13OD X .09T PLTD		
8	86065990	1	ARM, TANK SUPPORT		
9	86010720	1	WASHER, M10 X 30 PLTD		
10	86276920	1	SCR, 3/8-16X1 HHCS SS NP		

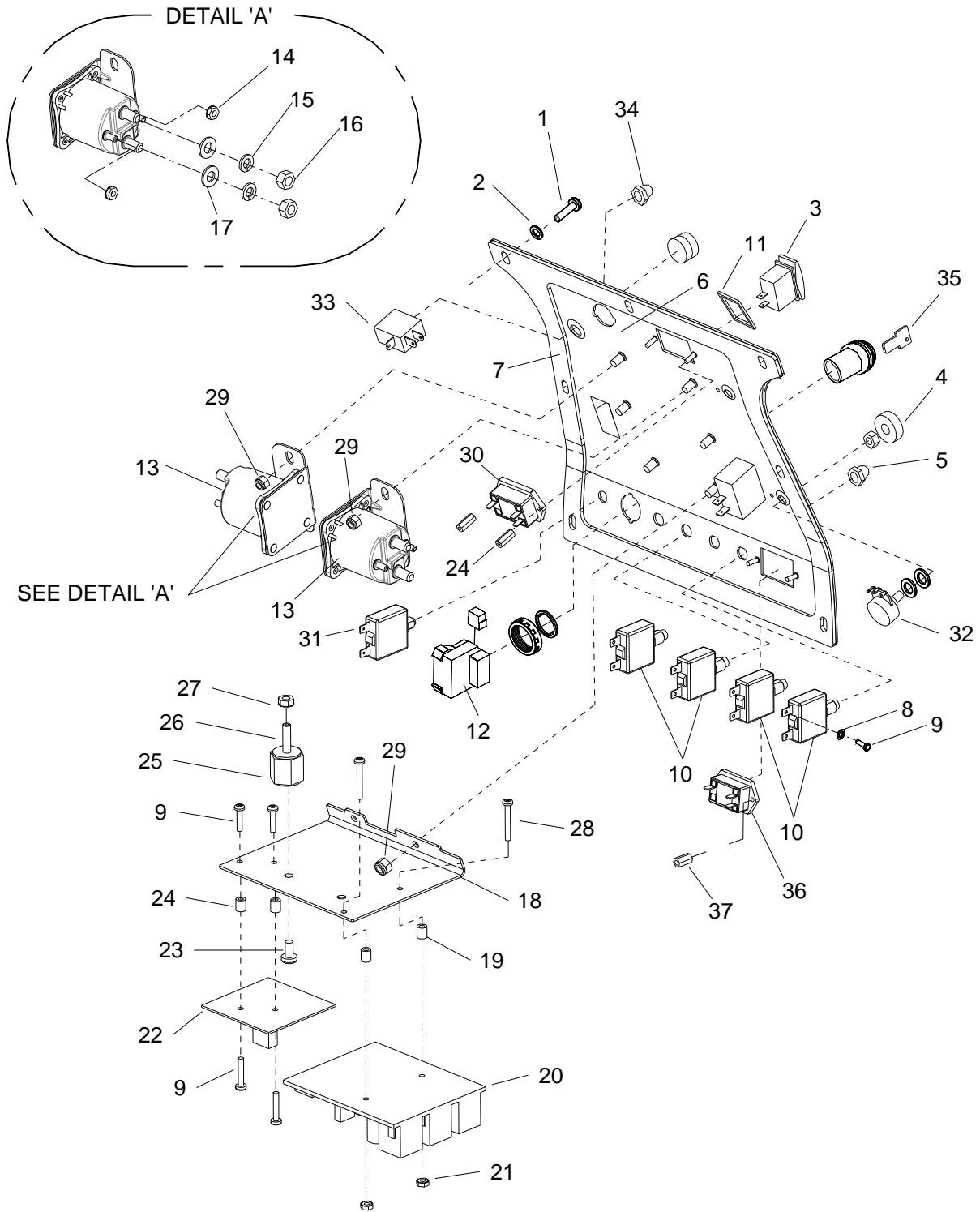
Cover (Top) & Tank Mount



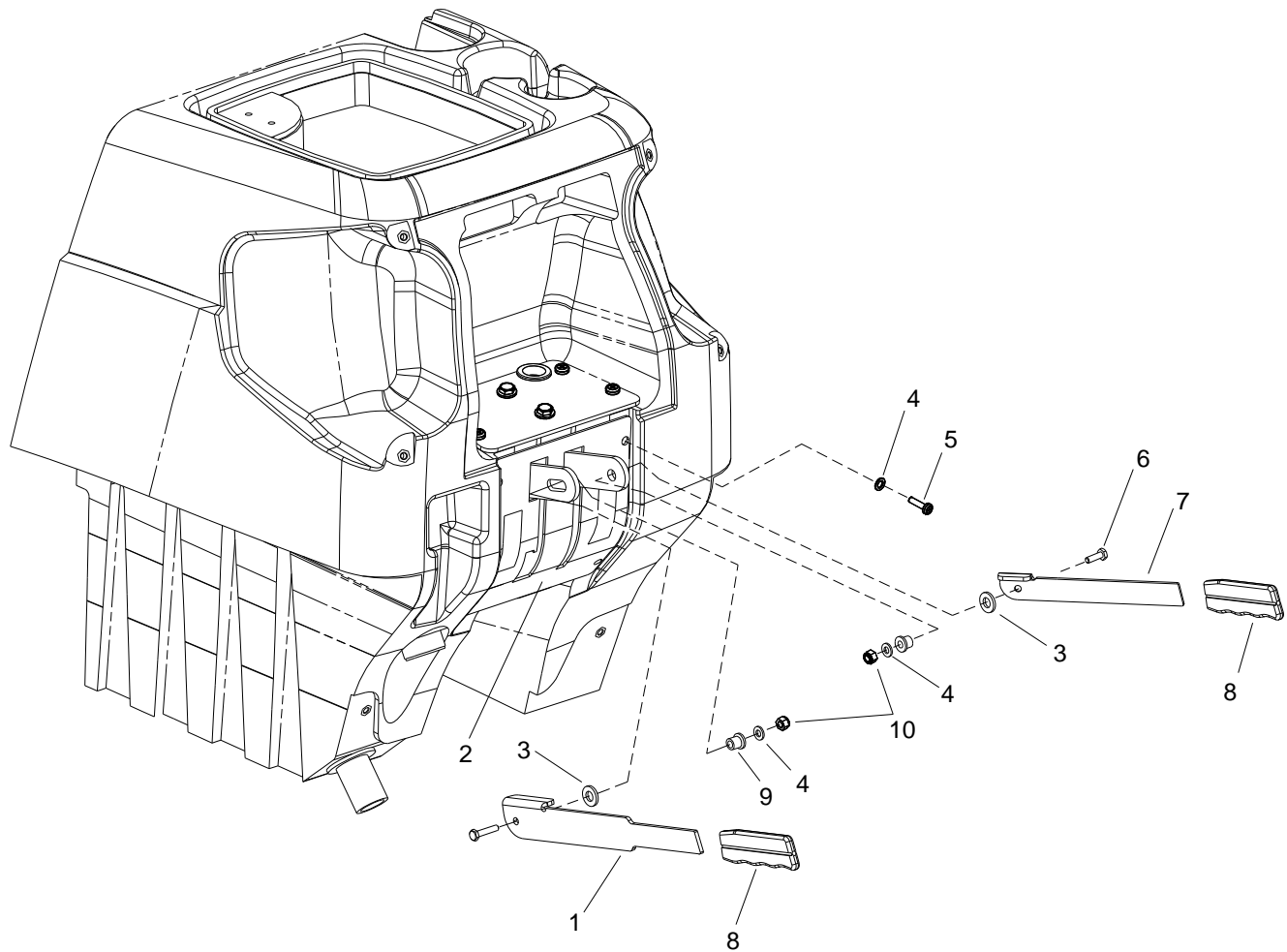
REF	PART NO.	QTY	DESCRIPTION	SERIAL NO. FROM	NOTES:
1	86335750	1	COVER, TOP 36V GRY		
2	86271840	3	NUT, 5/16-18 HEX NYLOCK THIN SS		
3	86010670	10	WASHER, 5/16 FLAT SS		
4	86239650	1	HINGE, COVER TO TANK		
5	86276780	4	SCR, 5/16-18 X 3/4 HHCS SS		
6	86069840	1	BRACKET, TANK LEFT		
7	86069850	1	BRACKET, TANK RIGHT 36V		
8	86233390	1	CLAMP, 7/8 DIA "P" CUSHIONED		
9	86271870	1	NUT, 1/4-20 HEX NYLOCK THIN SS		
10	86276490	3	SCR, 5/16-18 X 5/8 HHCS SS		
11	86276780	3	SCR, 5/16-18 X 3/4 HHCS SS		
-	86292630	1	NET, CARGO		NOT SHOWN



REF	PART NO.	QTY	DESCRIPTION	SERIAL NO. FROM	NOTES:
1	86396100	1	LABEL, CUTTER RIGHT		
2	86396150	1	LABEL, ELEC. PANEL 36V BASIC		
3	86400220	1	LABEL, ELEC. PANEL. LOWER 36V		
4	86396810	1	LABEL, SQUEEGEE LEVER		
5	86396820	1	LABEL, BRUSH LEVER		
6	86396120	1	LABEL, CUTTER LEFT		
7	86243710	1	LABEL, SOLUTION FILL 36V		
8	86395400	1	LABEL, WINDSOR LOGO DOMED		

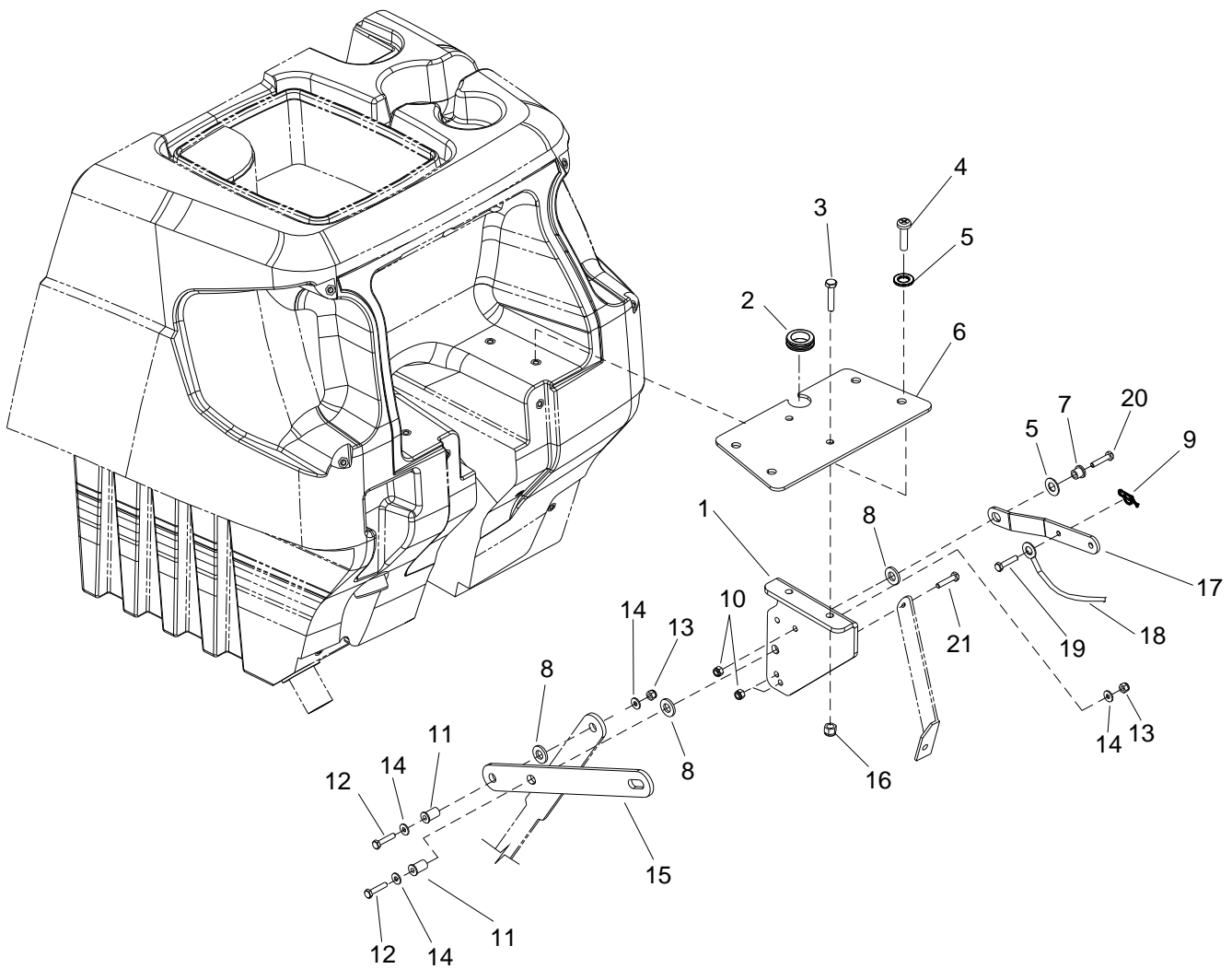


REF	PART NO.	QTY	DESCRIPTION	SERIAL NO. FROM	NOTES:
1	86276290	7	SCR, #10 X 3/4 PPHST HI-LO BLK		
2	86294250	7	WASHER, .19 ID X .5 X .09TK BLK		
3	86007140	2	SWITCH, SPST 2-POSITION ROCKER		
4	86242110	2	KNOB, .900D X .25 COLLET		
5	86008900	4	BOOT, SEAL-PUSH BUTTON 7/16-28		
6	86291070	1	PLATE, ELEC PNL 36V AKW		
7	86237820	1	GASKET, ELEC PLATE 36V		
8	86279300	8	WASHER, #6 LOCK		
9	86273990	12	SCR, 6-32 X 3/8 PPHMS SS		
10	86001910	4	BREAKER, 30A 50VDC CIRCUIT		
11	86238030	2	GASKET, SWITCH CARLING		
12	86007170	1	SWITCH, KEY 2-POSITION		
13	86371450	2	RELAY, 36VDC 100AMP HD		
14	86005700	4	NUT, 10-32 HEX W/ STAR WASH PLTD		
15	86279480	6	WASHER, 5/16 EXT LOCK PLTD		
16	86271120	4	NUT, 5/16-18 BRASS		
17	86010760	2	WASHER, .344 X .69 X .066 FLAT PLT		
18	86082820	1	PLATE, ELEC PANEL BACK		
19	86254440	2	SPACER, .166ID X .313OD X .375L AL		
20	86002940	1	CONTROLLER,36VDC PROPEL MOTOR		
21	86270850	2	NUT, 8-32 HEX NYLOCK SS		
22	86003250	1	CIRCUIT BOARD, SOL/FLOAT WIRED		
23	86276880	1	SCR, 1/4-20 X 3/8 HHCS SS		
24	86255890	4	STANDOFF, 6-33 X 1.0 HEX NYL		
25	86255910	1	STANDOFF, 1/4-20 X 1.0 HEX INS		
26	86006850	1	SCR, 1/4-20 X 1.25 SSSCU		
27	86005710	1	NUT, 1/4-20 HEX W/STAR WASHER		
28	86273910	2	SCR, 8-32 X 1 PPHMS SS		
29	86271870	6	NUT, 1/4-20 HEX NYLOCK THIN SS		
30	86246930	1	METER, 36V BATTERY CHARGE LEVEL		
31	86002000	1	BREAKER, 3AMP 1681-090-300		
32	86006310	1	POTENTIOMETER, 50K OHMS		
33	86257030	1	SWITCH, MOMENTARY DPST		
34	86002010	1	BOOT, 3/8 CIRCUIT BREAKER		
35	86004860	1	KEY, SWITCH		
36	86255900	2	STANDOFF, 6-32 X 5/8 HEX NYL		
37	86005530	1	METER, 12-48VDC LED HOUR		
38	86267340	2	WIRE, 22" RED/18 76040 X 76075		NOT SHOWN
39	86267360	1	WIRE, 14" BLK/18 76011 X 76040		NOT SHOWN

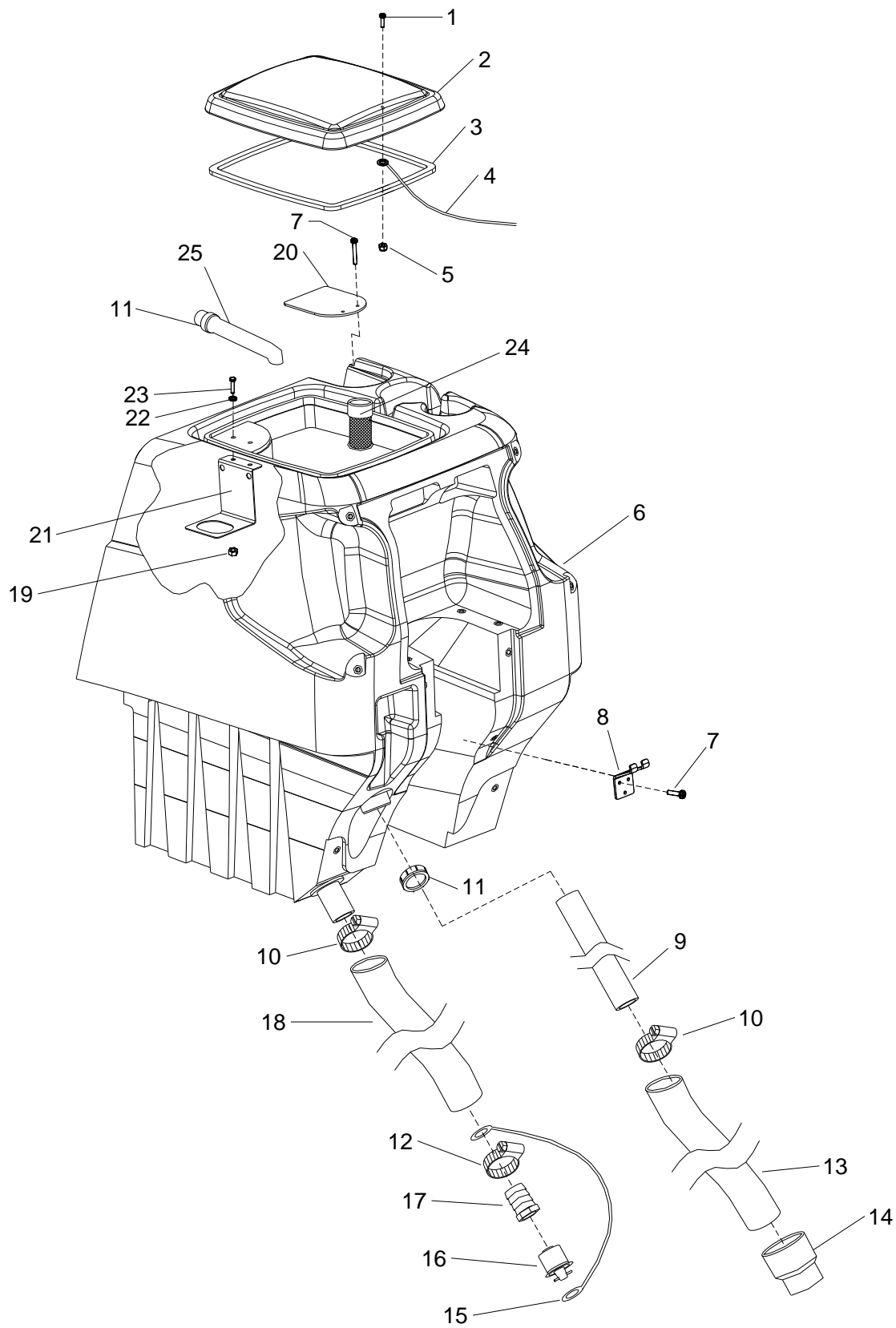


REF	PART NO.	QTY	DESCRIPTION	SERIAL NO. FROM	NOTES:
1	86077260	1	LEVER, DECK SWING		
2	86082900	1	PLATE, LEVER NOTCH BASIC 36V		
3	86259400	2	WASHER, THRUST .51ID X 1OD BRO		
4	86010670	6	WASHER, 5/16 FLAT SS		
5	86276780	4	SCR, 5/16-18 X 3/4 HHCS SS		
6	86006930	2	SCR, 5/16-18 X 1.00 BSHCS SS		
7	86066860	1	BAR, SQG LIFT SWING 36V		
8	86336000	2	GRIP, 3/16X 1.0, YLW		
9	86228840	2	BEARING, FLANGED .314ID X .502OD		
10	86271840	2	NUT, 5/16-18 HEX NYLOCK THIN SS		

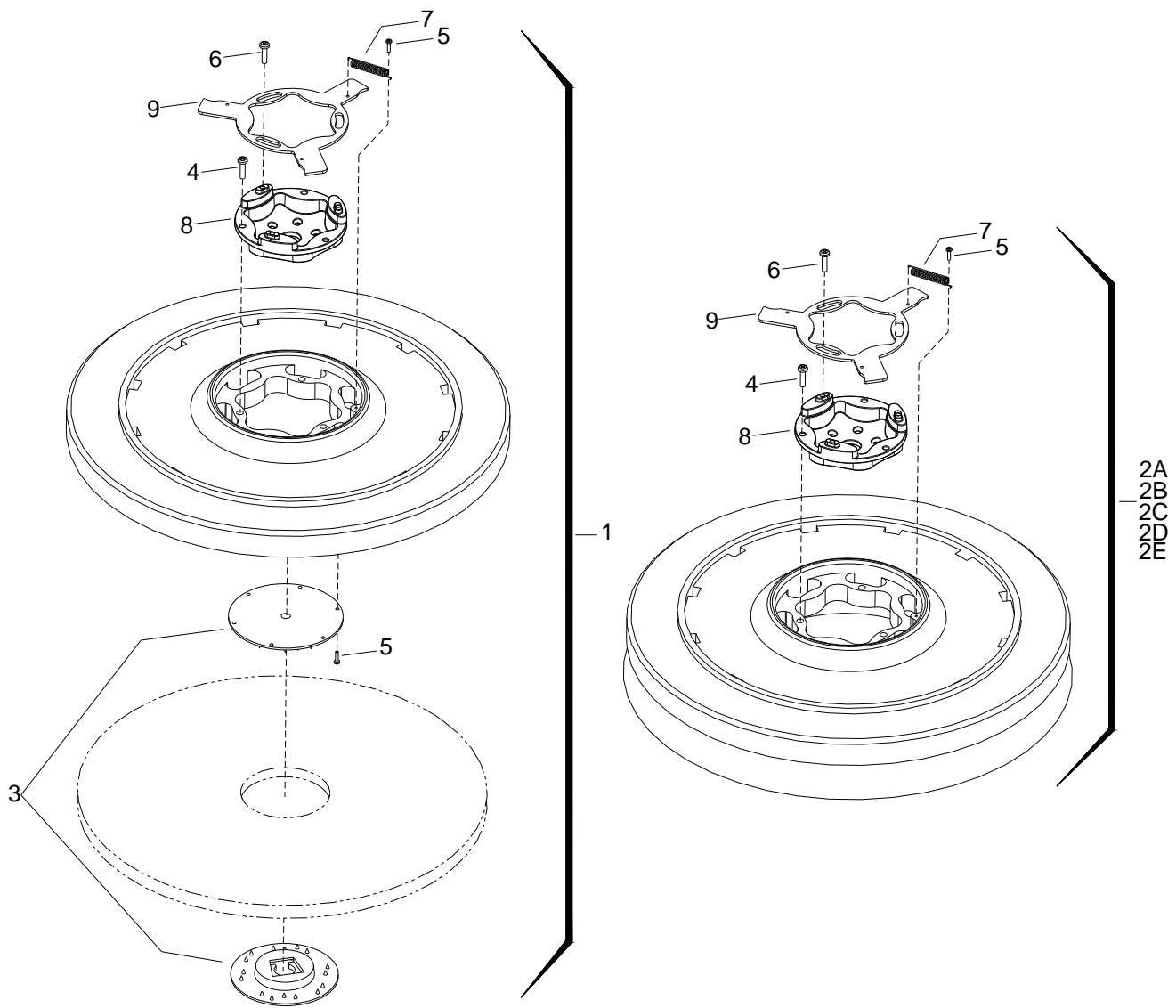
Lift Handle Linkage



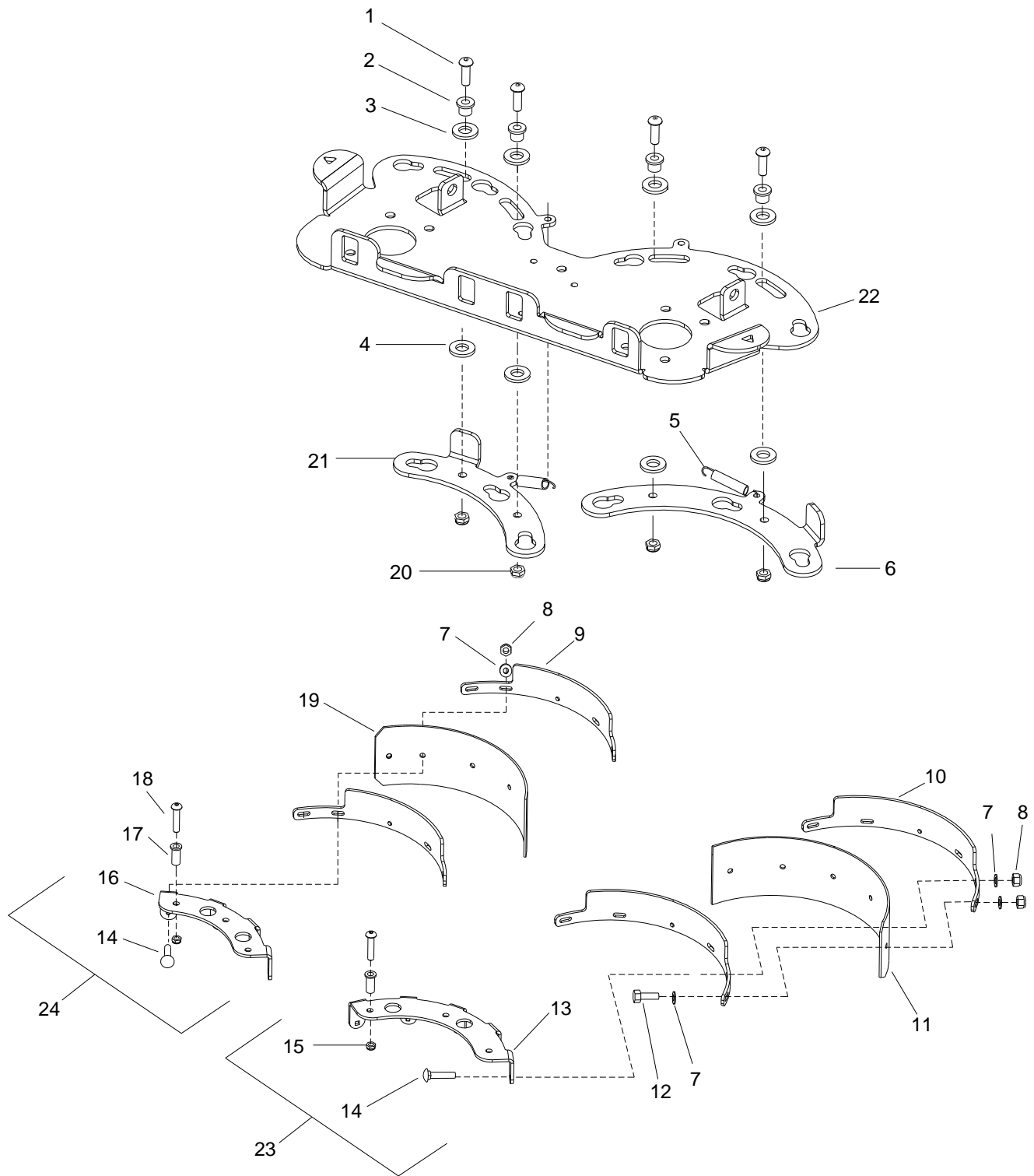
REF	PART NO.	QTY	DESCRIPTION	SERIAL NO. FROM	NOTES:
1	86069830	1	BRKT, LEVER, PIVOT BOTTOM 36V		
2	86238430	1	GROMMET 1.00 ID 3/16 GRIP		
3	86276920	2	SCR, 3/8-16 X 1 HHCS SS NP		
4	86276780	5	SCR, 5/16-18 X 3/4 HHCS SS		
5	86010670	5	WASHER, 5/16 FLAT SS		
6	86082890	1	PLATE, PIVOT TOP		
7	86228840	1	BEARING, FLANGED .314 D X .502 OD		
8	86259400	3	WASHER, THRUST .51 ID X 1 OD BRO		
9	86008650	1	COTTER, 1/4" RING		
10	86271840	2	NUT, 5/16-18 HEX NYLOCK THIN SS		
11	86228900	2	BEARING FLANGED .252ID X .503 OD		
12	86273820	2	SCR, 1/4-20 X 1.25 HHCS SS		
13	86271870	2	NUT, 1/4-20 HEX NYLOCK THIN SS		
14	86010630	4	WASHER, 1/4 ID X 5/8 OD SS		
15	86066840	1	BAR, DECK LIFT FIXED, 36V		
16	86005630	2	NUT, 3/8-16 HEX NYLOCK THIN SS		
17	86077210	1	LEVER, SQG LIFT FIXED 36V		
18	86003240	1	CABLE, .125X26.5, 0707,SS,LB,E-E		
19	86009560	1	PIN, CLEVIS 1/4 X .63 PLTD		
20	86007020	1	SCR, 5/16-18 X 1.25 HHCS SS NP		
21	86006560	1	SCR, 5/16-18 X 1 HHCS SS NP		



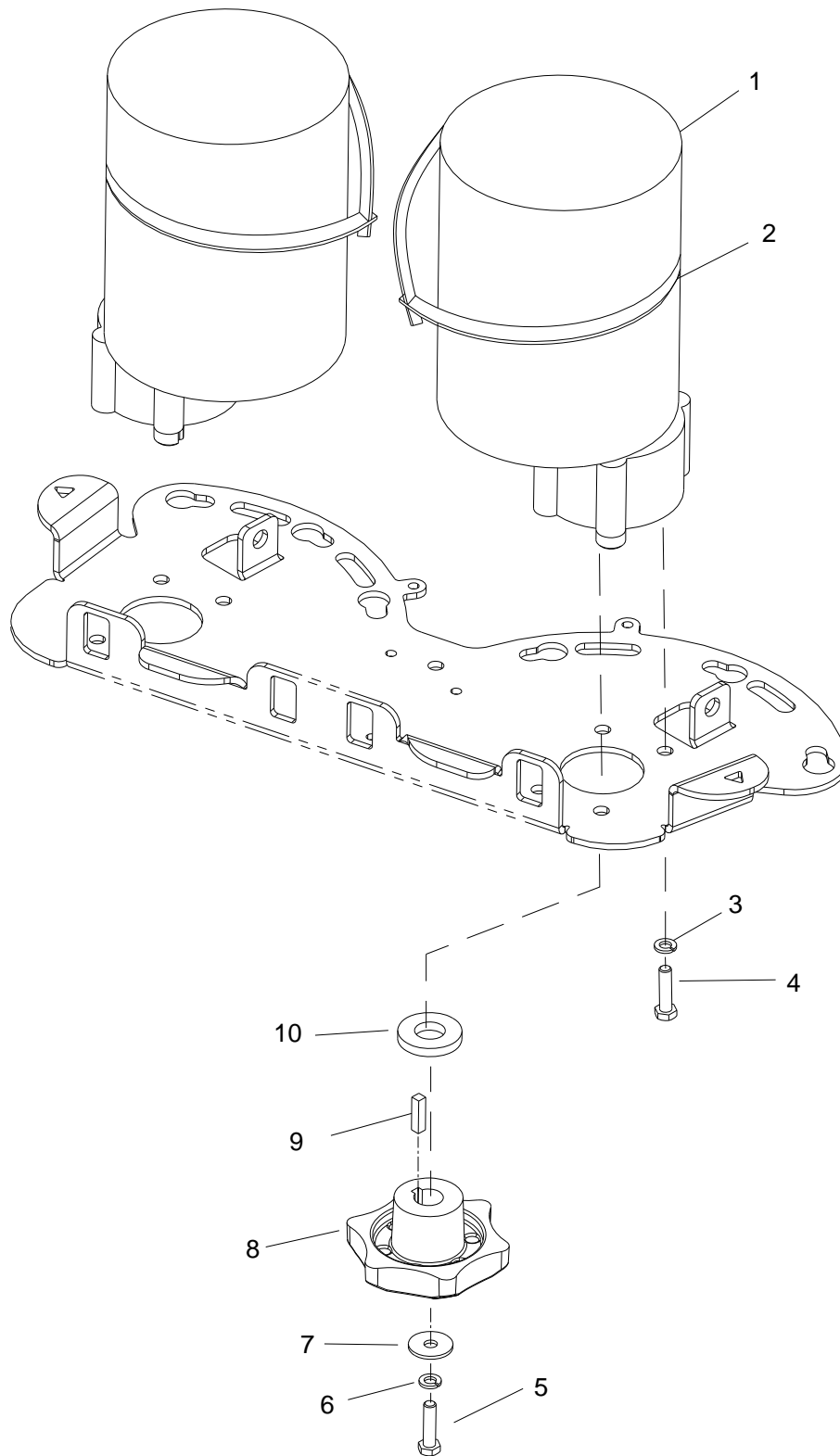
REF	PART NO.	QTY	DESCRIPTION	SERIAL NO. FROM	NOTES:
1	86274220	1	SCR, 6-32 X 5/8 PPHMS SS		
2	86003340	1	DOME, 13 X 11		
3	86003990	1	GASKET, DOME		
4	86246080	2	LANYARD, 18.0 W/ LOOP & EYE		
5	86014810	1	NUT, 6-32 ACORN SS		
6	86335730	1	TANK, REC, 36V, TRIM MED GRAY		
7	86276290	5	SCR, #10 X 3/4 PPHST HI-LO BLK		
8	86001190	1	BRACKET, RECOVERY HOSE MTG		
9	86069630	1	TUBE, 1.5 PVC X 24.0		
10	86233140	2	CLAMP, 2.0" WORM GEAR		
11	86372080	2	NUT, 1.5 SLIP JOINT		
12	86002400	1	CLAMP, 2.0" WORM GEAR X .312W		
13	86004180	1	HOSE, 1.5 BLK VAC X 28"		
14	86002840	1	CUFF, 1.5 SLIP X 1.5 HOSE		
15	86008400	1	TETHER, DRAIN PLUG		
16	86006240	1	PLUG, DRAIN HOSE		
17	86004450	1	HOSEBARB, 1.5 DOUBLE MCHD		
18	86004260	1	HOSE, 1.5 X 24.0 DRAIN		
19	86271870	2	NUT, 1/4-20 HEX NYLOCK THIN SS		
20	86075540	1	COVER, VACUUM HOSE		
21	86069780	1	BRACKET, VAC INTAKE		
22	86010630	2	WASHER, 1/4ID X 5/8OD SS		
23	86273810	2	SCR, 1/4-20 X 1 HHCS SS		
24	86236410	1	FLOAT, VAC SHUT OFF		
25	86257860	1	TUBE, 1.5 WASTE		



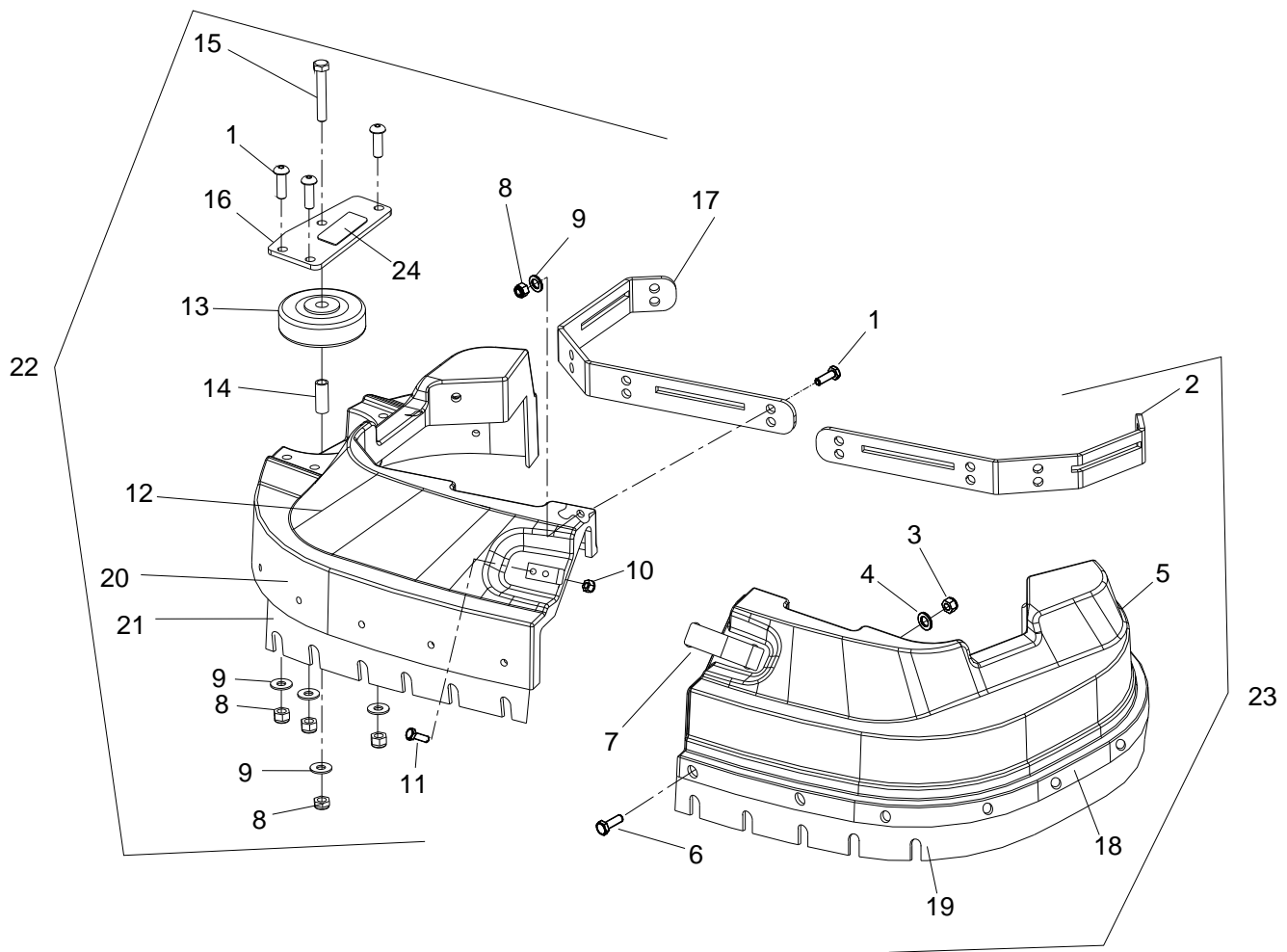
REF	PART NO.	QTY	DESCRIPTION	SERIAL NO. FROM	NOTES:
1	86000290	2	PAD DRIVER, 16" SD		
2A	86000300	2	BRUSH, 16" POLYPROPYLENE SD		
2B	86000310	2	BRUSH, 16" NYLON SD		
2C	86000320	2	BRUSH, 16" NYLON POLISH SD		
2D	86000330	2	BRUSH, 16" MILD GRIT SD		
2E	86000340	2	BRUSH, 16" SUPER AGGRESSIVE SD		
3	86005070	1	LOCK, PAD CENTER SNAP, TWO STEP		
4	86276590	3	SCR, #12 X 1.0 PPHMS SS		
5	86276580	4	SCR, 8-32 X 3/4 PTHMS SS		
6	86276600	3	SCR, 10-32 X 3/4 PTHMS SS		
7	86007910	1	SPRING, EXT .31 D X 2.0 L X .03 W		
8	86007280	1	SOCKET, DRIVE BRUSH		
9	86005940	1	PLATE, BRUSH RELEASE		



REF	PART NO.	QTY	DESCRIPTION	SERIAL NO. FROM	NOTES:
1	86006930	4	SCR, 5/16-18 X 1.00 BSHCS SS		
2	86228840	4	BEARING, FLANGED .314 ID X .502 OD		
3	86259420	4	WASHER, THRUST .51 ID X 1 OD BRO		
4	86259400	4	WASHER, THRUST .51 ID X 1 OD BRO		
5	86255060	2	SPRING, EXT. .43D X 2.50L X .047W		
6	86249590	1	PLATE, AQ LOCK LEFT 16 IN		
7	86010630	13	WASHER, 1/4 ID C 5/8 OD SS		
8	86271870	11	NUT, 1/4-20 HEX NYLOCK THIN SS		
9	86256020	2	STRAP, AQ, BACK, L 16 INCH		
10	86256010	2	STRAP, AQ, BACK, R 16 INCH		
11A	86001430	1	BLADE, AQ LEFT 16 INCH		
11B	86135160	1	BLADE, AQ LT 16 INCH URETHANE		
12	86273810	2	SCREW, 1/4-20 X 1 HHCS SS		
13	86082870	1	PLATE, AQ ATTACH L, 16"		
14	86276960	9	SCR, 1/4-20 X 1 CARRIAGE SS		
15	86005630	6	NUT, 3/8-16 HEX NYLOCK THIN SS		
16	86082880	1	PLATE, AQ, ATTACH R 16 IN		
17	86228910	6	BEARING, FLANGED .377 ID C .502 OD		
18	86276860	6	SCR, 3/8-16 X 1.75 BSHCS SS		
19A	86001420	1	BLADE, AQ RIGHT 16 INCH		
19B	86135170	1	BLADE, AQ RT 16 INCH URETHANE		
20	86271840	4	NUT, 5/16-18 HEX NYLOCK THIN SS		
21	86249600	1	PLATE, AQ LOCK RIGHT 16 IN		
22	86236670	1	FRAME, 36V SCRUB DECK		
23	86024960	-	AQUA-MIZER™ 32IN SCRUBHEAD, LEFT		
24	86004700	-	AQUA-MIZER™ 32IN SCRUBHEAD, RIGHT		

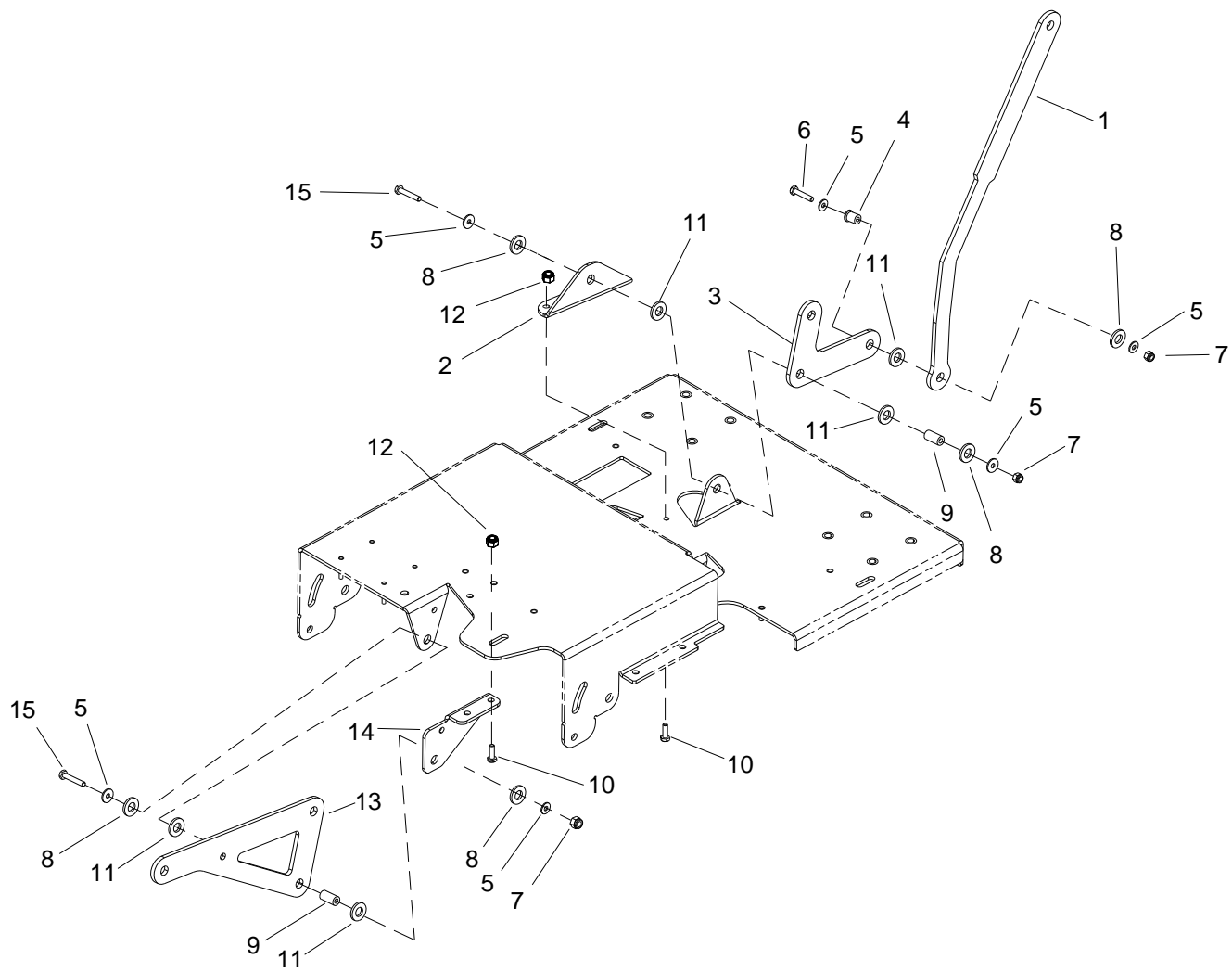


REF	PART NO.	QTY	DESCRIPTION	SERIAL NO. FROM	NOTES:
1	86005340	2	MOTOR ASM, 36VDC 200RPM GEAR		
-	86001360	-	BRUSH SET, 53632 ASI		NOT SHOWN
2	86002830	2	CABLE TIE, .375 X 24.7		
3	86010790	8	WASHER, 3/8 SPLIT LOCK PLTD		
4	86276970	8	SCR, 3/8-16 X 3/4HHCS SS		
5	86007020	2	SCR, 5/16-18 X 1.25 HHCS SS NP		
6	86279130	2	WASHER, 5/16 SPLIT LOCK PLTD		
7	86279630	2	WASHER, .344ID X 1.13OD X .09T PLTD		
8	86003420	2	DRIVER, BRUSH SD		
9	86004810	2	KEY, 1/4 SQ. X 1.00		
10	86279640	2	WASHER, .78ID X 1.63OD X .25T PLTD		



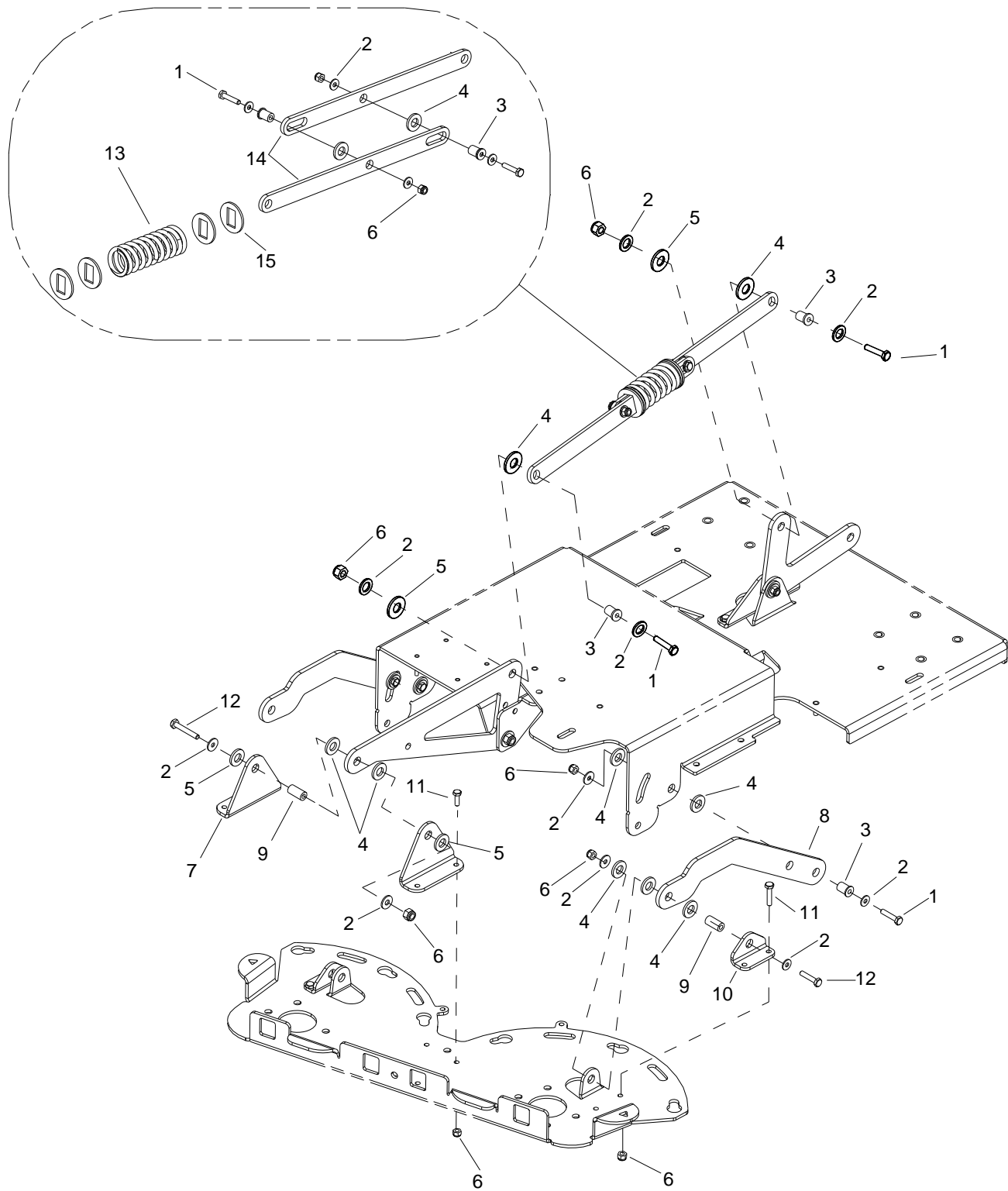
REF	PART NO.	QTY	DESCRIPTION	SERIAL NO. FROM	NOTES:
1	86290040	10	SCR, 5/16-18 X 3/4 BSHCS SS		
2	86070050	1	BRACKET, SHROUD RETAINER LEFT		
3	86271900	19	NUT, 10-24 HEX NYLOCK THIN SS		
4	86010650	19	WASHER, #10 X 9/16 OD		
5	86062960	1	SHROUD, SCRUB DECK 32" LEFT		
6	86277110	19	SCR, 10-24 X 3/4 PPHMS SS		
7	86161800	1	LATCH & CONCEALED KEEPER		
8	86271840	10	NUT, 5/16-18 HEX NYLOCK THIN SS		
9	86292500	10	WASHER, 5/16 ID X 9/16 OD SS		
10	86270920	4	NUT, 6-32 HEX NYLOCK SS		
11	86273950	4	SCR, 6-32 X 1/2 PPHMS SS		
12	86062970	1	SHROUD, SCRUB DECK 32" RIGHT		
13	86011020	1	WHEEL, 3" DIA CUSHION RUBBER		
14	86001350	1	BUSHING, SPANNER, .435 X 1.10		
15	86277150	1	SCR, 5/16-18 X 2 BSHCS SS		
16	86082950	1	PLATE, BUMPER WHEEL ATTACH		
17	86070040	1	BRKT, SHROUD RETAINER RIGHT		
18	86066410	1	BAND, SKIRT LEFT 32 INCH		
19	86007530	1	SKIRT, 32 INCH LEFT		
20	86066400	1	BAND, SKIRT RIGHT 32 INCH		
21	86007540	1	SKIRT, 32 INCH RIGHT		
22	86004710	-	SHROUD ASM, 32" RIGHT SCRUBHEAD		
23	86004720	-	SHROUD ASM, 32" LEFT SCRUBHEAD		
24	86244100	1	LABEL, AQUA-MIZER		

Scrub Deck Lift Linkage

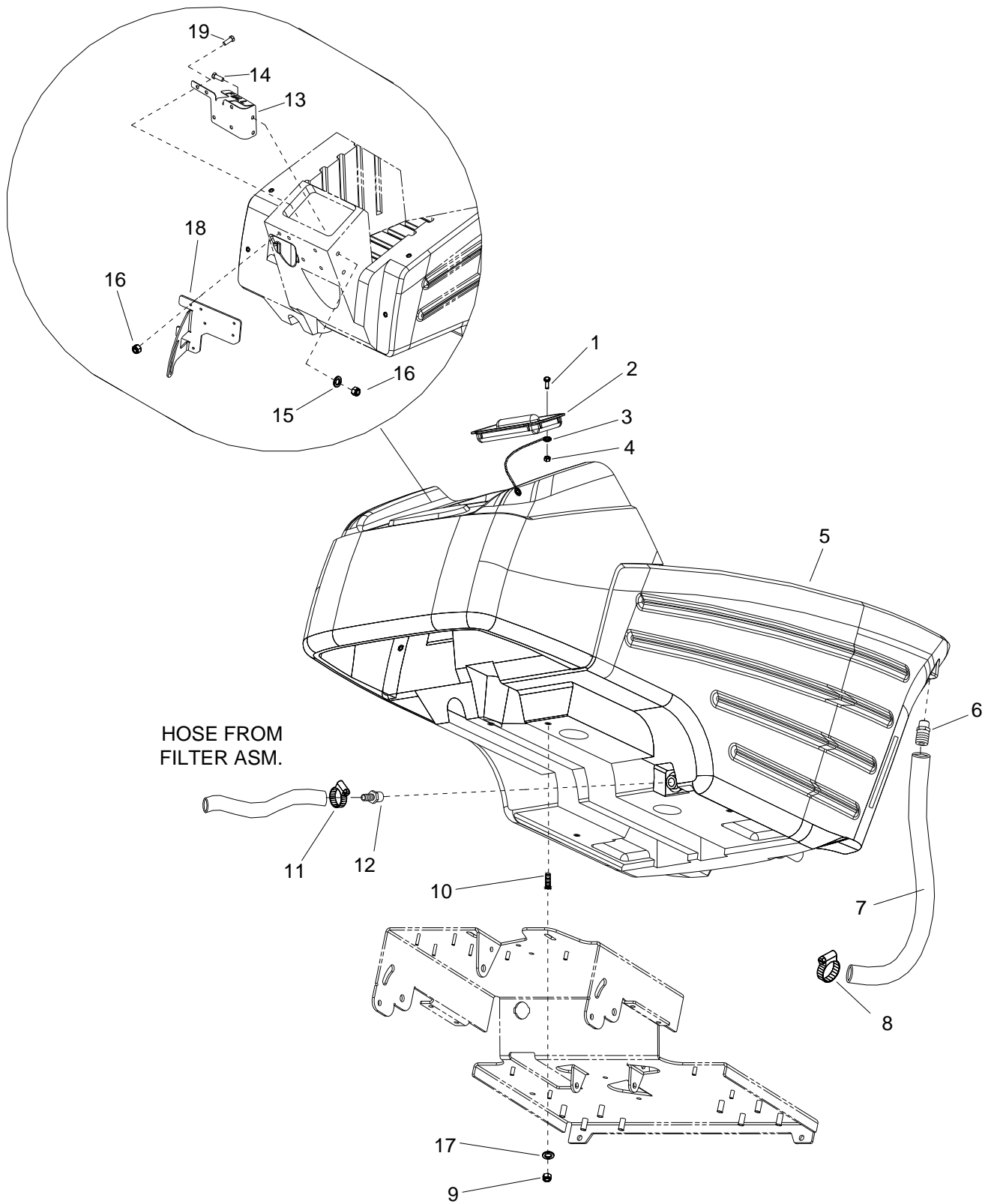


REF	PART NO.	QTY	DESCRIPTION	SERIAL NO. FROM	NOTES:
1	86066820	1	BAR, VERTICAL LINKAGE, REAR		
2	86070000	1	BRACKET, BELLCRANK SUPPORT REAR		
3	86066830	1	BAR, DECK LINKAGE REAR		
4	86228900	1	BEARING, FLANGED .252ID X .503OD		
5	86010630	6	WASHER, 1/4ID X 5/8OD SS		
6	86273820	1	SCR, 1/4-20 X 1.25 HHCS SS		
7	86271870	3	NUT, 1/4-20 HEX NYLOCK THIN SS		
8	86259410	5	WASHER, THRUST .51ID X 1OD X .063		
9	86228920	2	BEARING, .252ID X .503OD X 1.0		
10	86276780	4	SCR, 5/16-18 X 3/4 HHCS SS		
11	86259400	5	WASHER, THRUST .51ID X 1OD BRO		
12	86271840	4	NUT, 5/16-18 HEX NYLOCK THIN SS		
13	86066800	1	BAR, LINKAGE, FRONT		
14	86070010	1	BRACKET, FRAME MOUNT 36V		
15	86273740	2	SCR, 1/4-20 X 1.5 HHCS SS		

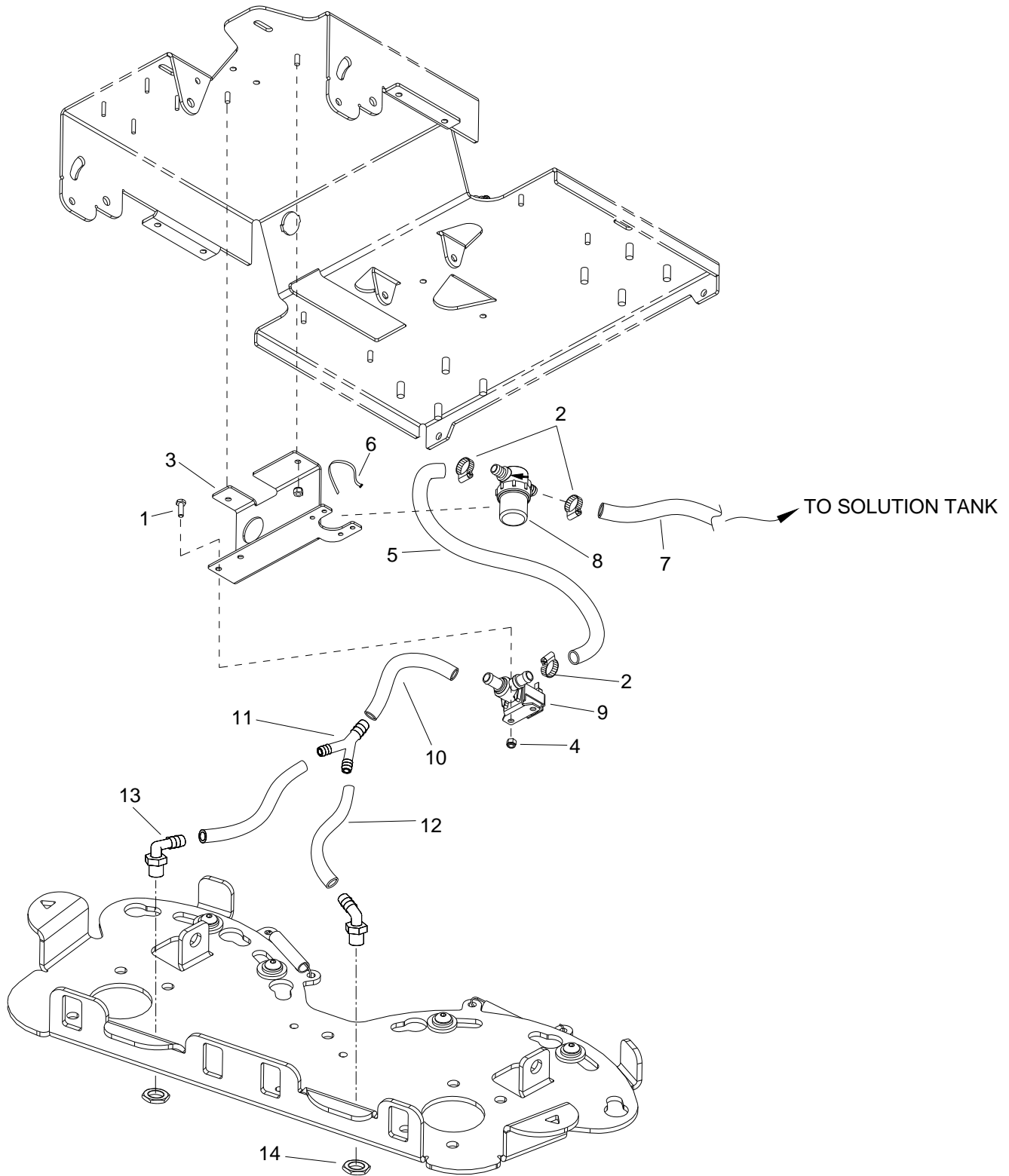
Scrub Deck Lift Linkage



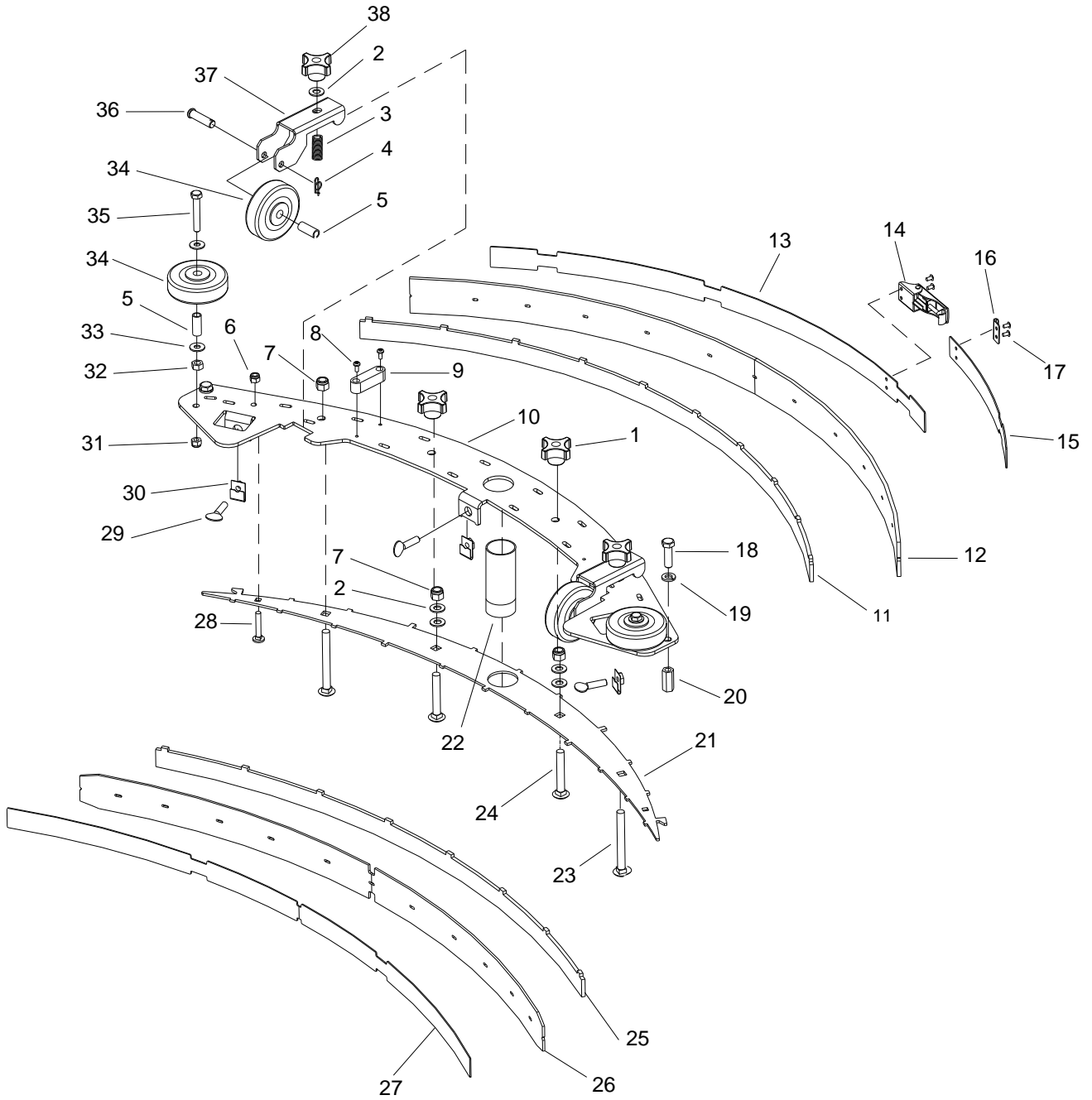
REF	PART NO.	QTY	DESCRIPTION	SERIAL NO. FROM	NOTES:
1	86273820	7	SCR, 1/4-20 X 1.25 HHCS SS		
2	86010630	24	WASHER, 1/4 ID X 5/8 OD SS		
3	86228900	8	BEARING FLANGED, .252 ID X .503 OD		
4	86259400	20	WASHER, THRUST .51 ID X 1 OD BRO		
5	86259410	6	WASHER, THRUST .51 ID X 1 OD X .063		
6	86271870	18	NUT, 1/4-20 NYLOCK THIN SS		
7	86070200	1	BRKT, SCRUB DECK LIFT, R.H.		
8	86066850	2	BAR, LINKAGE RIGHT		
9	86228920	4	BEARING, .252 ID X .503 OD X 1.0		
10	86070030	2	BRKT, ANGLE SUPPORT 36V		
11	86273780	8	SCR, 1/4-20 X 3/4 HHCS SS NP		
12	86273740	4	SCR, 1/4-20 X 1.5 HHCS		
13	86254880	1	SPRING, COMP 1.687 OD X 4.5 L X .234 W		
14	86066760	2	BAR, TENSIONER		
15	86090270	4	WASHER, RECTANGULAR HOLE		
16	86070210	1	BRKT, SCRUB DECK LIFT, L.H.		
17	86276610	1	SCR, 1/4-20 X 1.25 PPHMS		



REF	PART NO.	QTY	DESCRIPTION	SERIAL NO. FROM	NOTES:
1	86273950	1	SCR, 6-32 X 1/2 PPHMS SS		
2	86234790	1	COVER, SOLUTION TANK		
3	86246080	1	LANYARD, 18.0 W/ LOOP & EYE		
4	86014810	1	NUT, 6-32 ACORN SS		
5	86013360	1	TANK, SOLUTION, 36V, BLK		
6	86240460	1	HOSEBARB, 1/2 MPT X 1.0 HOSE		
7	86282050	1	HOSE, 1.0ID .12W X 24.5 CLR		
8	86233110	1	CLAMP, 1.0" WORM GEAR		
9	86271840	4	NUT, 5/16-18 HEX NYLOCK THIN SS		
10	86276380	4	SCR, 5/16 X 1.75 SSSCU		
11	86233150	1	CLAMP, 3/8 HOSE (D-SLOT)		
12	86197910	1	HOSEBARB, 1/2 MPT X 1/2 POLY DL		
13	86070090	1	BRKT, SOLUTION FILL 36V		
14	86276920	5	SCR, 3/8-16 X 1 HHCS SS NP		
15	86279590	2	WASHER, 3/8 SEALING X 3/4 OD		
16	86005630	7	NUT, 3/8-16 HEX NYLOCK THIN SS		
17	86010670	4	WASHER, 5/16 FLAT SS		
18	86070190	1	BRKT, SCRUB DECK GUIDE 36V		
19	86276970	2	SCR, 3/8-16 X 3/4 HHCS SS		

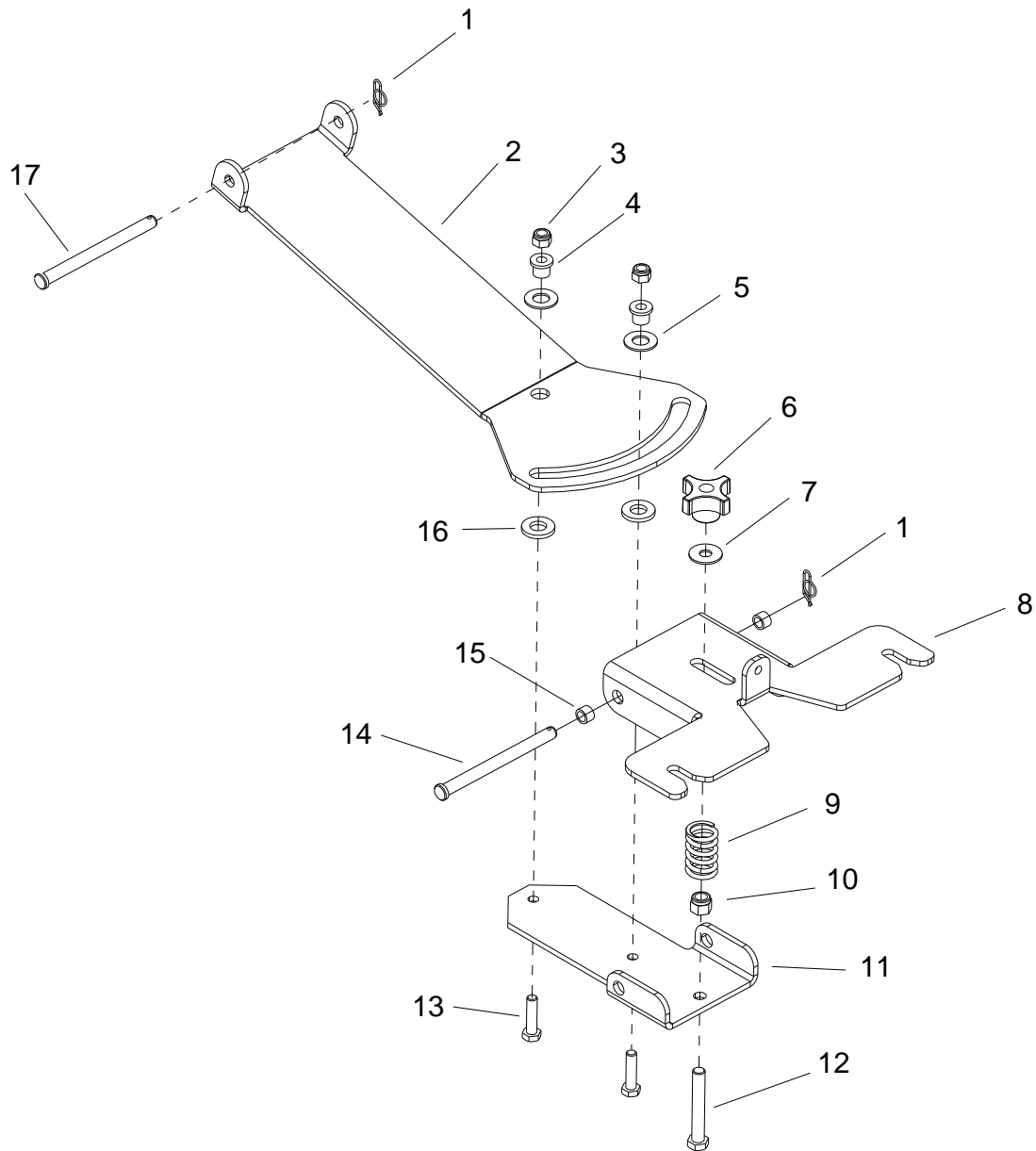


REF	PART NO.	QTY	DESCRIPTION	SERIAL NO. FROM	NOTES:
1	86273750	2	SCR, 1/4-20 X 5/8 HHCS SS NP		
2	86233150	3	CLAMP, 3/8 HOSE (D-SLOT)		
3	86070020	1	BRACKET, FILTER/SOLUTION MOUNT 36V		
4	86271870	4	NUT, 1/4-20 HEX NYLOCK THIN SS		
5	86282190	1	HOSE, 1/2" WIRE BOUND X 13"		
6	86264940	4	CABLE TIE, 11.38" UL/CSA		
7	86271690	2	NUT, 10-24 JOINT CONNECT BLK		
8	86007560	1	STRAINER, 1/2 HOSE 20 MESH		
-	86005870	-	O-RING, FILTER SEAL RON-VIK		NOT SHOWN
-	86007750	-	SCREEN, 20 MESH STRAINER		NOT SHOWN
-	86313160	-	CAP, STRAINER SHORT		NOT SHOWN
9	86009710	1	VALVE, 36VDC SOL 1/2" HOSEBARB		
-	86003460	-	DIAPHRAGM, SRVC PART SLND		NOT SHOWN
-	86136820	-	SOLENOID SPRING KIT		NOT SHOWN
10	86281100	1	HOSE, 1/2 ID WIRE BOUND X 7"		
11	86003580	1	FITTING, 1/2" X 3/8" X 3/8" RED. T		
12	86280820	2	HOSE, 3/8ID NYLOBRAID X 10"		
13	86001500	2	HOSEBARB, 3/8 MPT X 3/8 90D		
14	86240280	1	HOSE, 1/2ID WIRE BOUND X 8"		

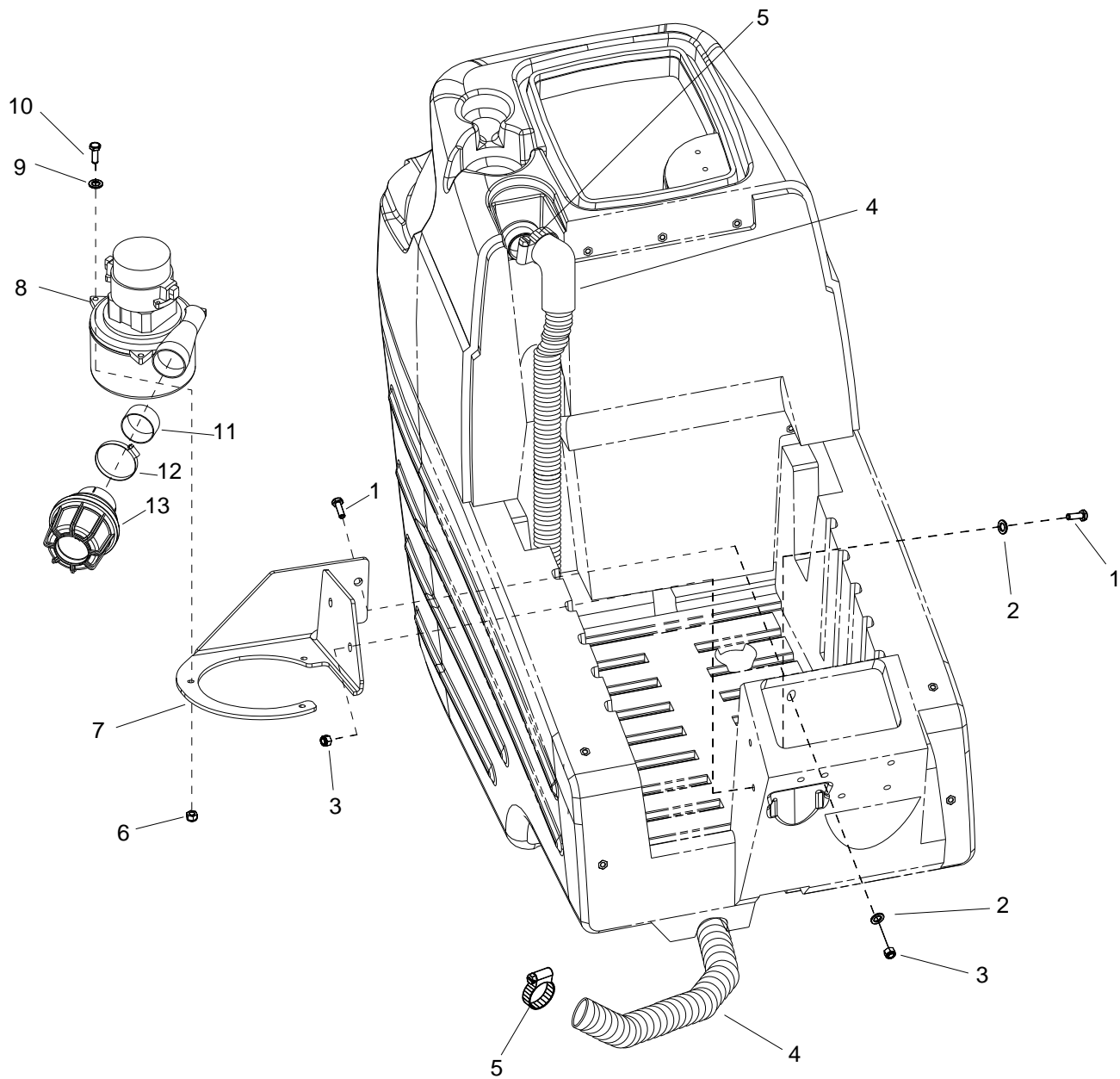


REF	PART NO.	QTY	DESCRIPTION	SERIAL NO. FROM	NOTES:
1	86009200	2	KNOB, 3/8-16 4 PRONG ALUM		
2	86010680	6	WASHER, 3/8 ID X 3/4 OD NYLON		
3	86007780	2	SPRING, COMP .60D X 2.0L X .045W		
4	86008660	2	COTTER, 5/16" RING		
5	86001350	4	BUSHING, SPANNER .435 X 1.10		
6	86271870	2	NUT, 1/4-20 HEX NYLOCK THIN SS		
7	86005630	4	NUT, 3/8-16 HEX NYLOCK THIN SS		
8	86274130	2	SCR, 8-32 X 3/8 PHTC 'F' PLTD		
9	86009910	1	VIAL, LEVEL		
10	86082460	1	PLATE, SQUEEGEE TOP 40"		
11	86082480	1	PLATE, SQG REAR 40"		
12A	86007490	1	SQUEEGEE, REAR BLADE LINATEX		
12B	86137040	1	SQUEEGEE, REAR BLADE URETHANE		
13	86066360	1	BAND, REAR SQUEEGEE		
14	86009180	1	STRIKER, SQUEEGEE STRAP REAR		
15	86001330	1	BAND, REAR SQUEEGEE (S)		
16	86009170	1	LATCH, SQUEEGEE STRAP		
17	86006400	4	RIVET, 5/32OD X 1/8 GRIP		
18	86276920	2	SCR, 3/8-16 X 1 HHCS SS NP		
19	86010790	2	WASHER, 3/8 SPLIT LOCK PLTD		
20	86005840	2	NUT, 3/8-16 HEX COUPLING SS		
21	86082490	1	PLATE, SQUEEGEE BOTTOM 40"		
22	86008390	1	TUBE ASM, SQUEEGEE VAC		
23	86276990	2	SCR, 3/8-16 X 3.5 CARRIAGE SS		
24	86276870	2	SCR, 3/8-16 X 2.5 CARRIAGE SS		
25	86082470	1	PLATE, SQUEEGEE FRONT 40" SPACER		
26A	86009830	1	BLADE, SQUEEGEE FRONT LINATEX		
26B	86137050	1	SQUEEGEE, FRONT BLADE URETHANE		
27	86066350	1	STRAP, SQUEEGEE FRONT		
28	86277000	2	SCR, 1/4-20 X 1.5 CARRIAGE SS		
29	86007040	3	SCR, 5/16-18 X 1 THUMB SS TYPE P		
30	86271820	3	NUT, 5/16-18 CAPTIVE "J" PLTD		
31	86271840	2	NUT, 5/16-18 HEX NYLOCK THIN SS		
32	86005650	2	NUT, 5/16-18 HEX		
33	86010670	4	WASHER, 5/16 X 3/4 SS		
34	86011020	4	WHEEL, 3" DIA. CUSHION RUBBER		
35	86276980	2	SCR, 5/16-18 X 2.00 HHCS SS		
36	86006270	2	PIN, CLEVIS 5/16 X 1.63 PLTD		
37	86069870	2	BRACKET, SQUEEGEE WHEEL		
38	86004890	2	KNOB, ALUM 3/8-16 NYLOCK NUT SS		
-	86026540	-	SQUEEGEE ASM 32IN SCRUBHEAD		COMPLETE ASM

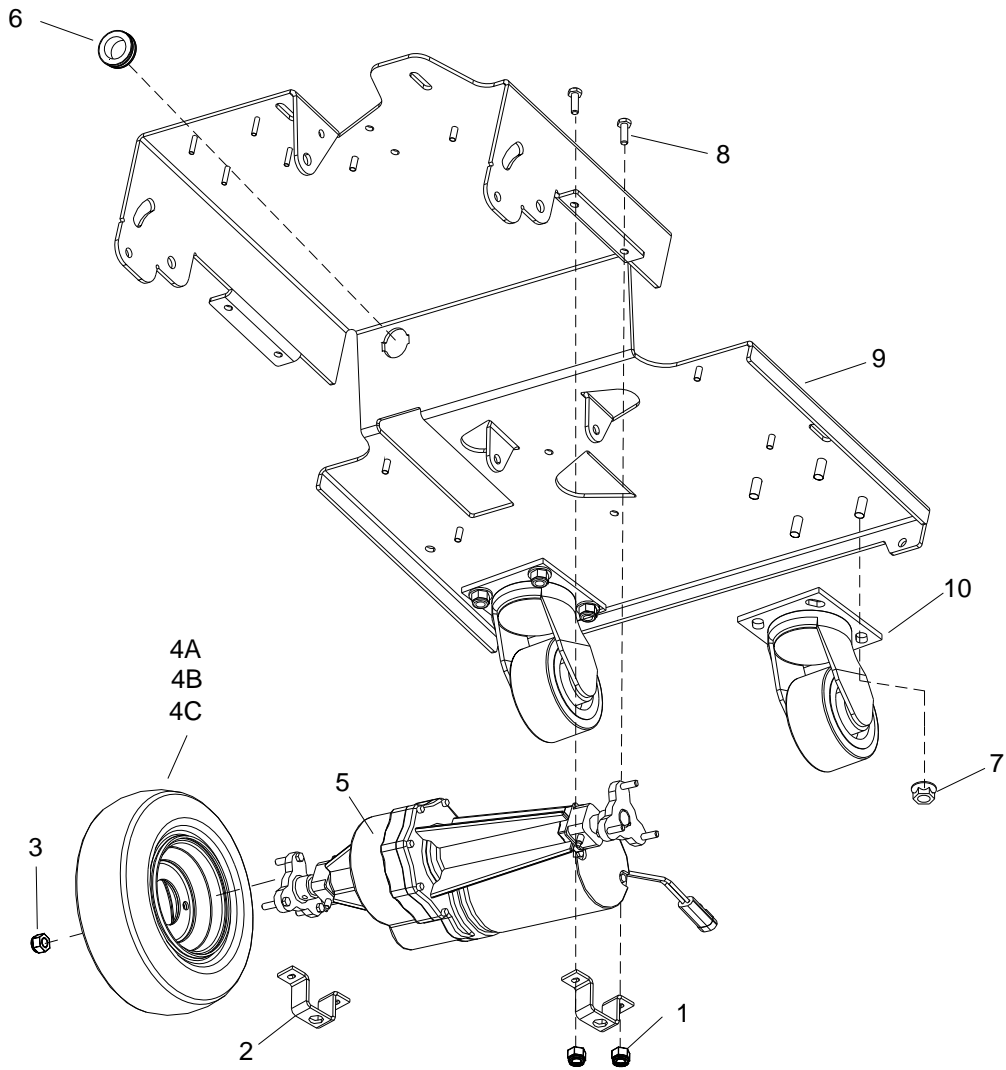
Squeegee Lift Linkage (Lower)



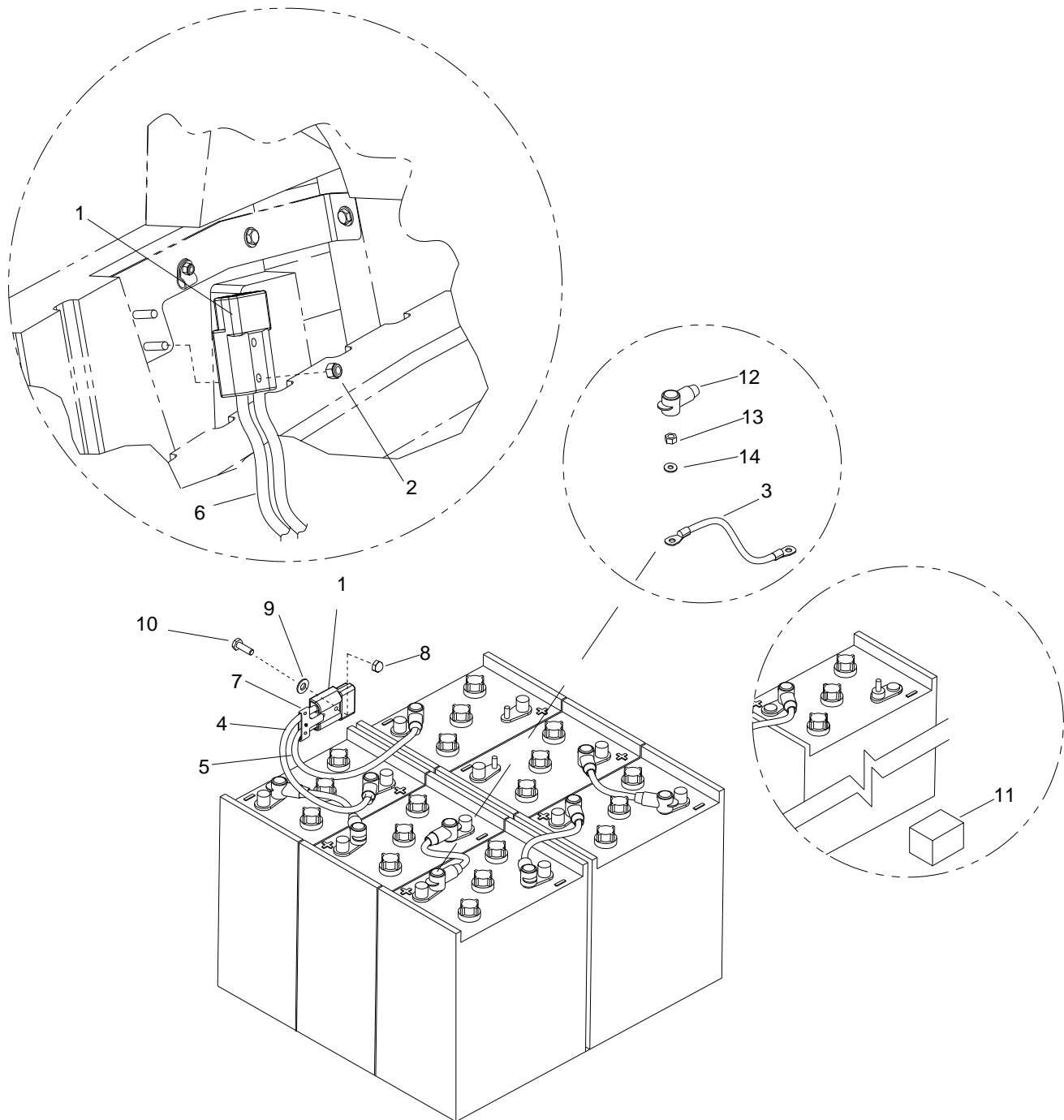
REF	PART NO.	QTY	DESCRIPTION	SERIAL NO. FROM	NOTES:
1	86008670	2	COTTER, 3/8" RING		
2	86069450	1	BRACKET, SQG PIVOT LIFT		
3	86271840	2	NUT, 5/16-18 HEX NYLOCK THIN SS		
4	86228840	2	BEARING, FLANGED .314ID X .502OD		
5	86259410	2	WASHER, THRUST .51ID X 1OD X .063		
6	86009200	1	KNOB, 3/8-16 4 PRONG ALUM		
7	86279510	1	WASHER, 3/8 FLAT		
8	86082150	1	PLATE, SQUEEGEE MOUNT		
9	86007270	1	SPRING, COMP 1.10OD X 2.0L X .148W		
10	86005630	1	NUT, 3/8-16 HEX NYLOCK THIN SS		
11	86072530	1	BRACKET, CAMBER PIVOT		
12	86276870	1	SCR, 3/8-16 X 2.50 CARRIAGE SS		
13	86277130	2	SCR, 5-16-18 X 1.00 CARRIAGE SS		
14	86249060	1	PIN, CLEVIS 3/8 X 4.63 PLTD		
15	86008870	2	BEARING, FLANGED 3/8" ID X 11/16"		
16	86259400	2	WASHER, THRUST .51ID X 1OD BRO		
17	86008860	1	PIN, CLEVIS 3/8" X 5.5"L PLTD		



REF	PART NO.	QTY	DESCRIPTION	SERIAL NO. FROM	NOTES:
1	86276970	3	SCR, 3/8-16X 3/4 HHCS SS		
2	86278910	3	WASHER, 3/8ID X 7/8OD SS		
3	86005630	3	NUT, 3/8-16 HEX NYLOCK THIN SS		
4	86001620	1	HOSE ASM, 1.5 BLK VAC X 67		
5	86002400	2	CLAMP, 2.0" WORM GEAR X .312W		
6	86271870	3	NUT, 1/4-20 HEX NYLOCK THIN SS		
7	86069820	1	BRACKET, VACUUM MOUNT		
8	86005450	1	VAC MOTOR ASM, 36VDC 3 STAGE		
-	86135310	1	BRUSH SET, VAC 24V/36V VAC WINDSOR		NOT SHOWN
9	86010630	3	WASHER, 1/4ID X 5/8OD SS		
10	86273810	3	SCR, 1/4-20 X 1 HHCS SS		
11	86091170	1	TUBE, 2.0 OD X 1.0L		
12	86233430	1	CLAMP, 2.50 WORM GEAR		
13	86064910	1	MUFFLER, VAC MOTOR		

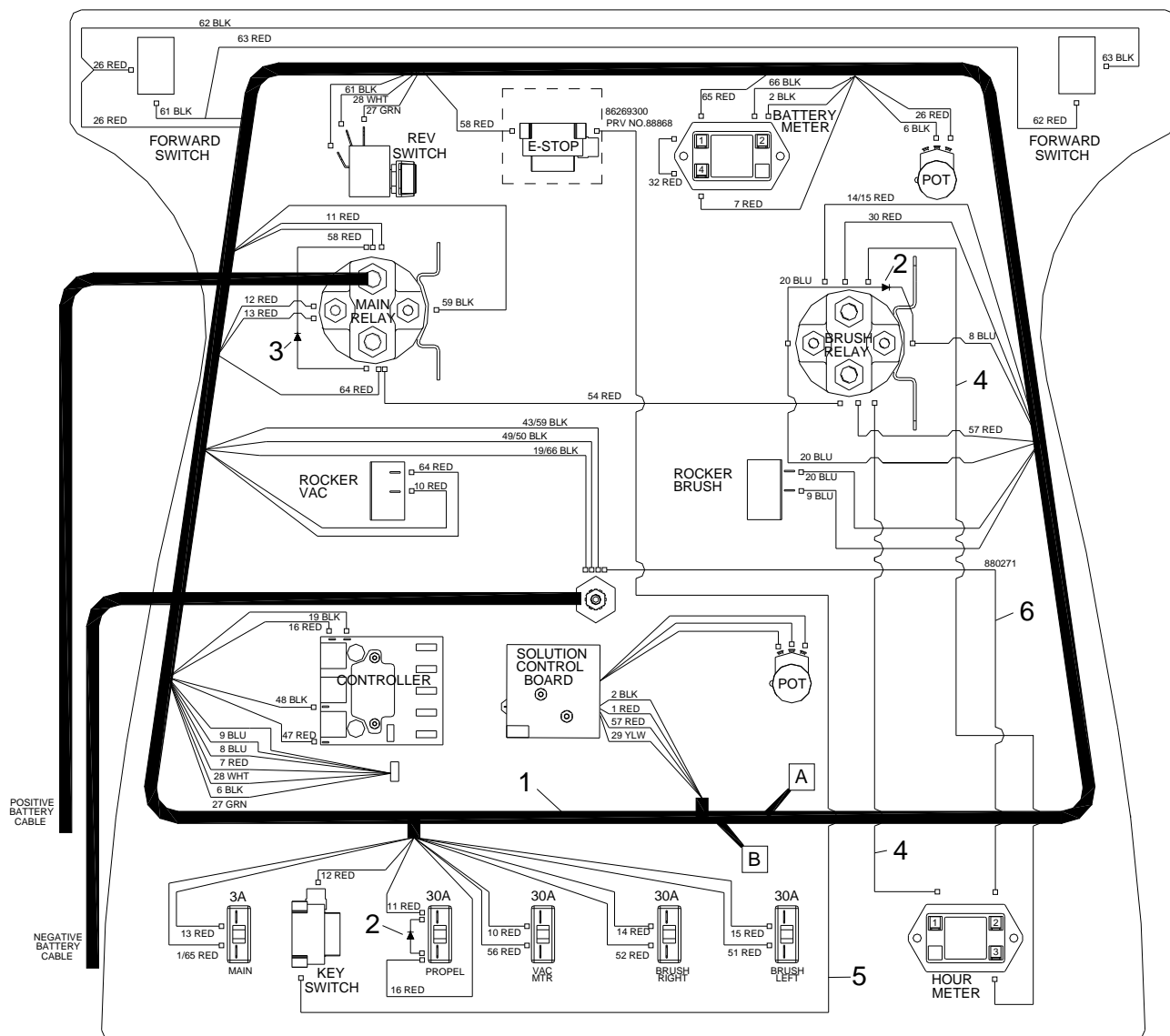
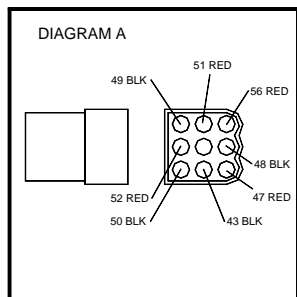
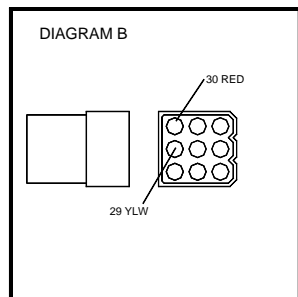


REF	PART NO.	QTY	DESCRIPTION	SERIAL NO. FROM	NOTES:
1	86271840	4	NUT, 5/16-18 HEX NYLOCK THIN SS		
2	86215770	2	BRACKET, TRANSAXLE MOUNT 36V		
3	86010090	6	NUT, 7/16-20 WHEEL PLTD		
4A	86010370	2	WHEEL ASM, 12" FMFL BLK KNOBBY		
4B	86090640	-	WHEEL ASM, 12" FMFL N-MARKING		OPTIONAL
4C	86137410	-	WHEEL ASM, 12" SOLID SCBR CMPD		OPTIONAL
5	86000770	1	AXLE MOTOR DRIVE, 36VDC		
-	86001360	-	BRUSH SET, CCL MOTORS		NOT SHOWN
-	86135870	-	HUB KIT, TRANSAXLE 05121		NOT SHOWN
6	86238430	1	GROMMET, 1.00ID 3/16 GRIP		
7	86270880	8	NUT, 3/8-16 SERRATED FLG		
8	86006560	4	SCR, 5/16-18 X 1 HHCS SS NP		
9	86236660	1	FRAME, MAIN 36V		
10	86002310	2	CASTER, 4 DIA X 2 W X 3.56R		



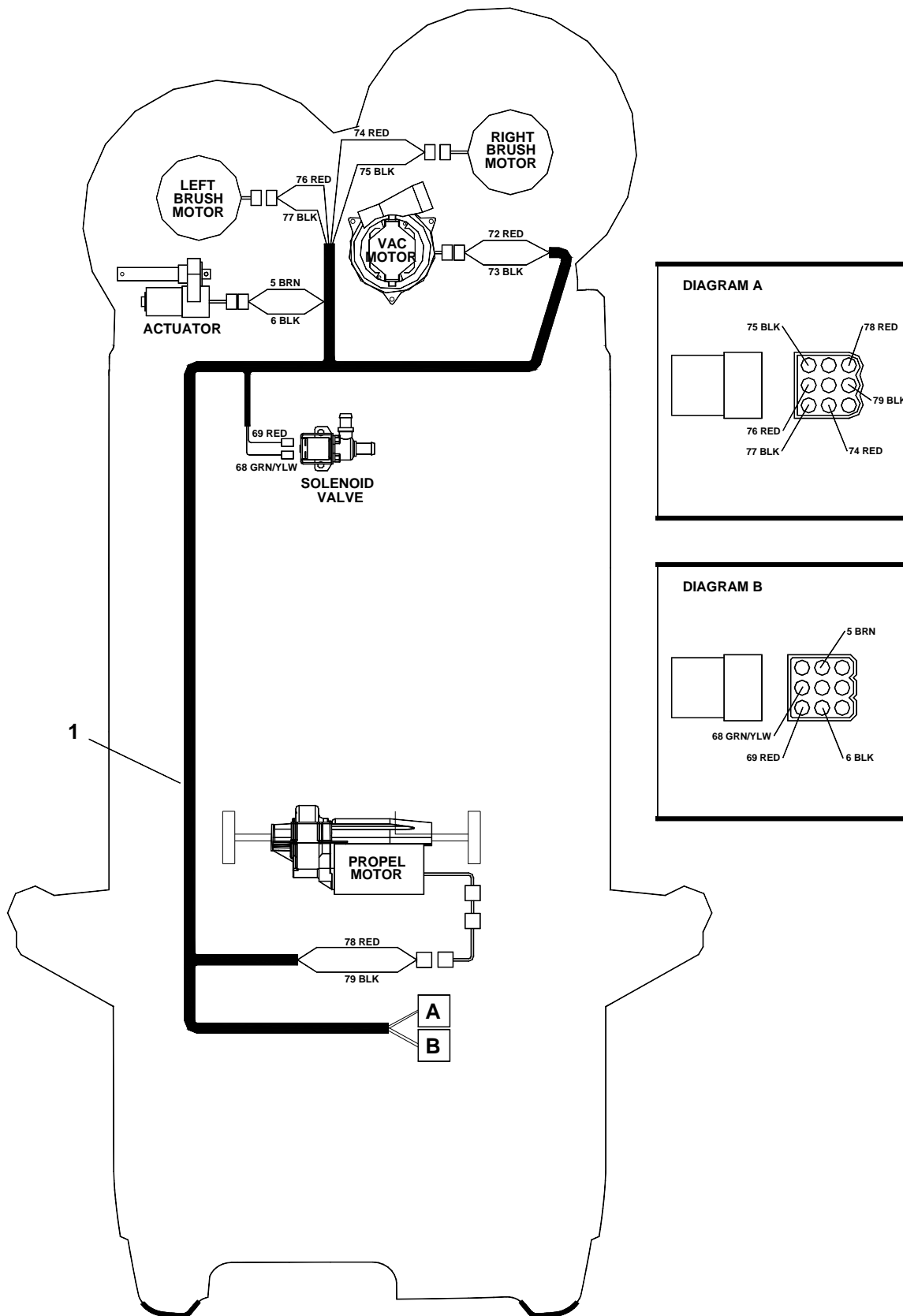
REF	PART NO.	QTY	DESCRIPTION	SERIAL NO. FROM	NOTES:
1	86008760	1	CONN, 175 DCA GRY W/O TERMS		
2	86271870	2	NUT, 1/4-20 HEX NYLOCK THIN SS		
3	86009000	5	WIRE 4X9.5 BK 5/16 RING X 5/16 RING		
4	86010860	1	WIRE, 4X20 BK CTERM X 5/16 RING		
5	86010850	1	WIRE, 4X20 RD CTERM X 5/16 RING		
6	86260520	2	WIRE, 4X67 BK C. TERM 5/16 RING		
7	86233360	1	CLAMP, CABLE KIT SY945		
8	86270890	1	NUT, ACORN 10-32		
9	86010650	1	WASHER, #10 X 9/16 OD		
10	86273980	1	SCR, 10-32 X 3/4 PPHMS SS		
11	86312710	2	BLOCK, 3.5 X 4 X 5		
12	86008920	12	BOOT, RUBBER TERM. ISOLATOR		
13	86271910	12	NUT, 5/16-18 FLEXLOCK		
14	86010670	12	WASHER 5/16 FLAT SS		
-	86002510	5	CABLE ASM, BAT. JUMPER X 15"		NOT SHOWN
-	86002570	1	WIRE, 4 X 27 RD B CLAMP X C TERM		NOT SHOWN
-	86002580	1	WIRE, 4 X 27 BK B CLAMP X C TERM		NOT SHOWN

Wiring - Control Panel

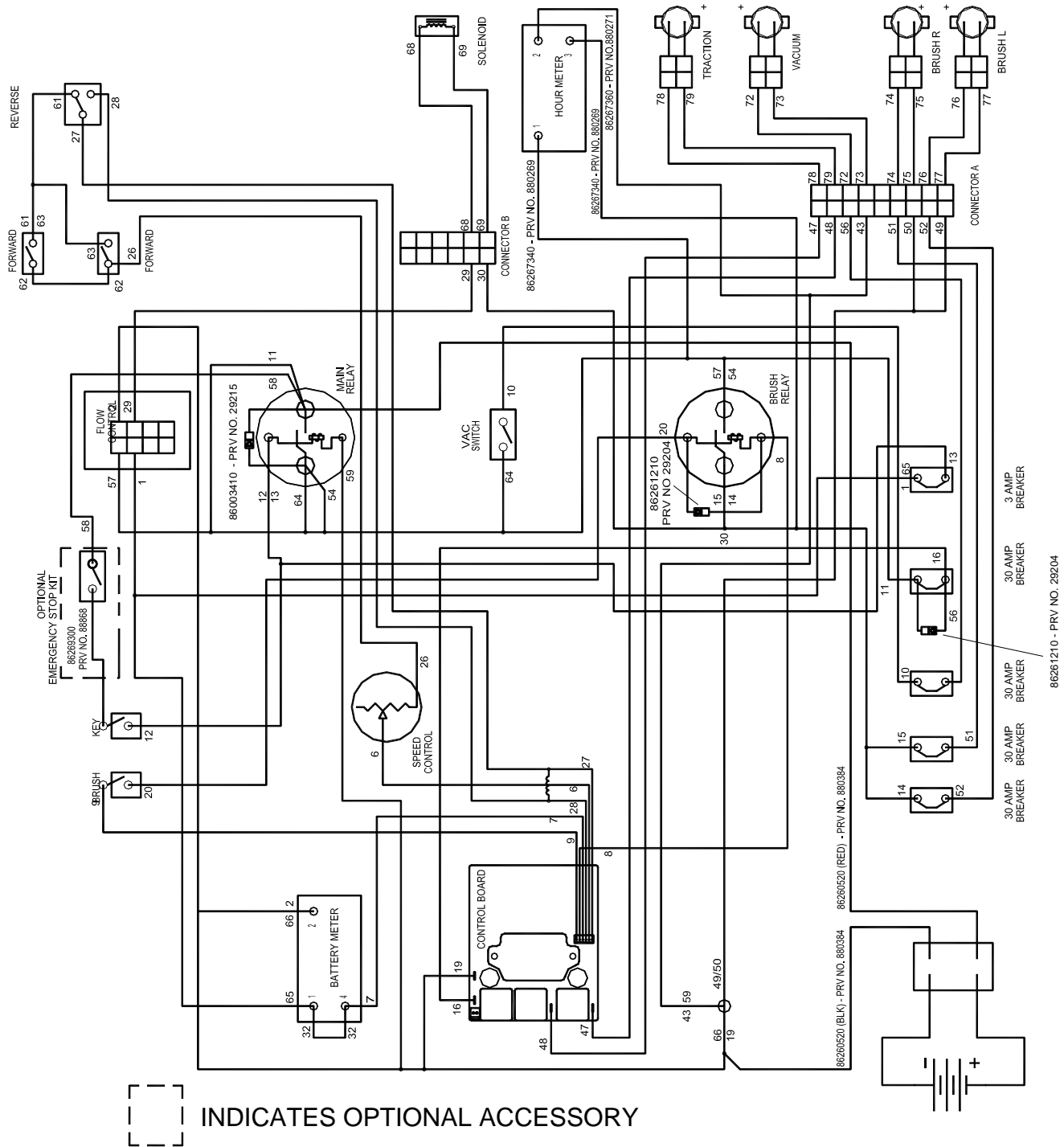


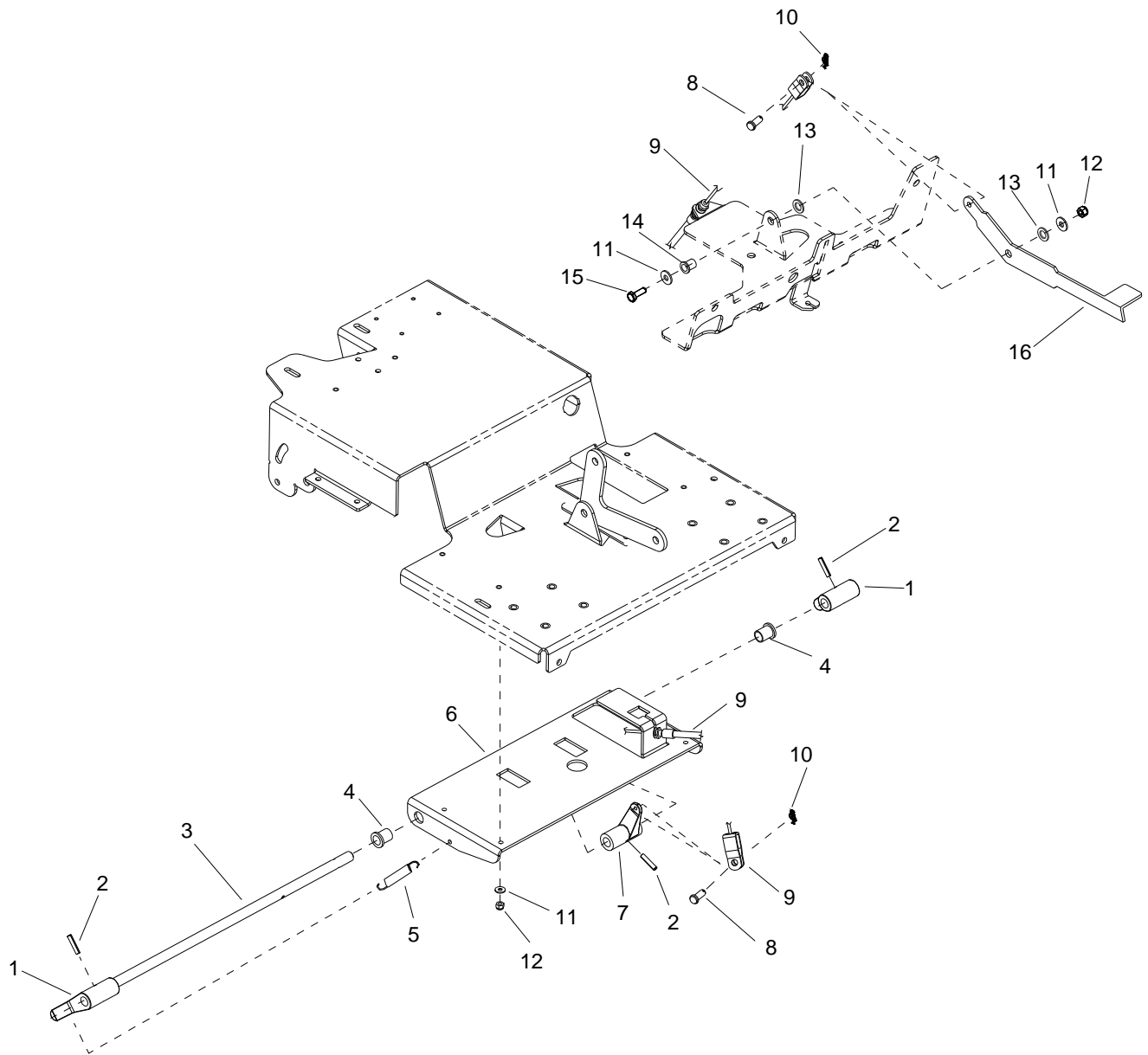
INDICATES OPTIONAL ACCESSORY

REF	PART NO.	QTY	DESCRIPTION	SERIAL NO. FROM	NOTES:
1	86239000	1	HARNESS, PANEL BASIC		
2	86261210	2	DIODE ASM, 76008 X 76008		
3	86003410	1	DIODE ASM, 76075 X 76075		
4	86267340	2	WIRE, 22" RED/18 76040 X 76075		
5	86269300	1	WIRE, 16" RED/18 STRIP X STRIP		
6	86267360	1	WIRE, 14" BLK/18 76011 X 76040		

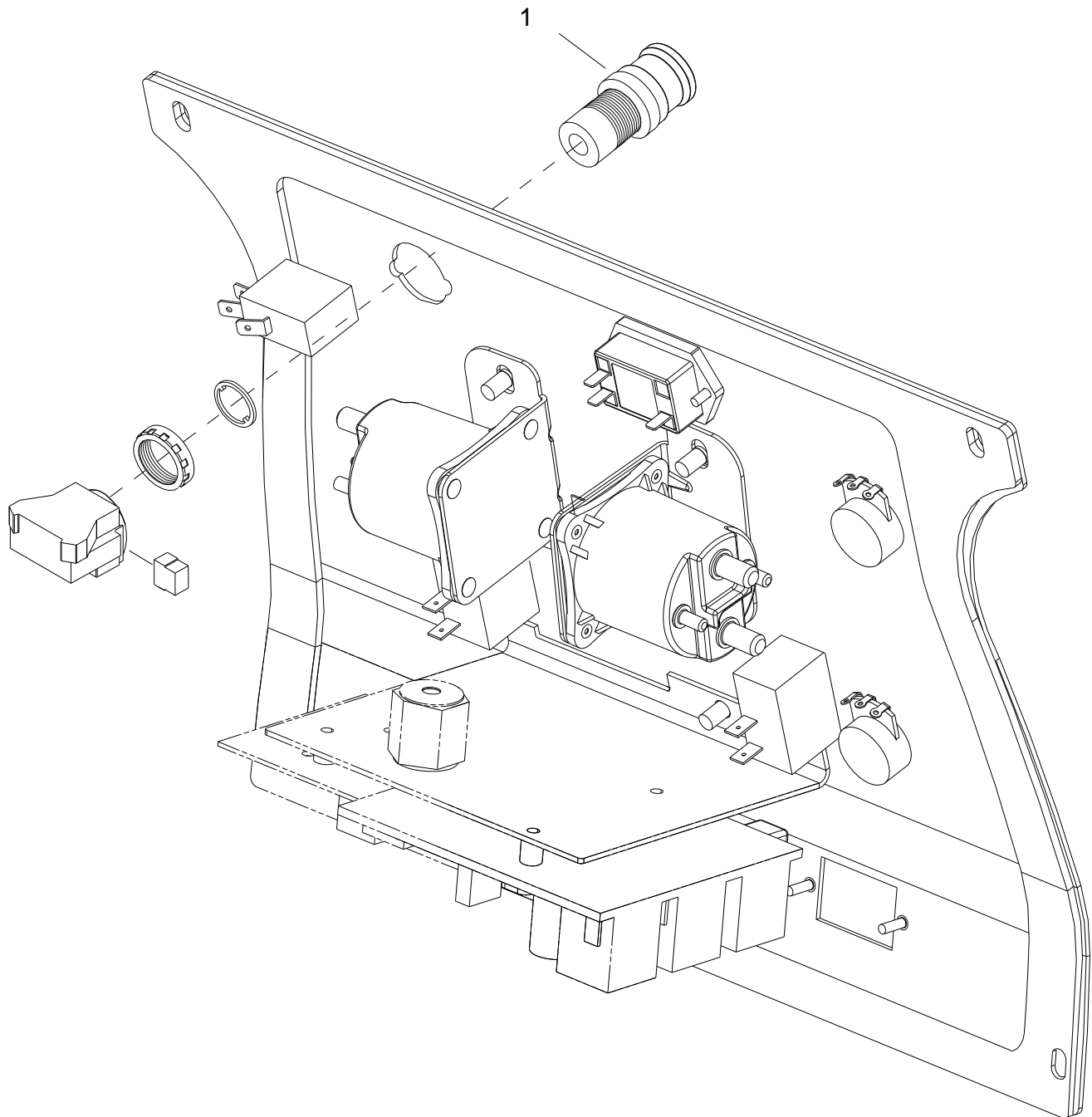


REF	PART NO.	QTY	DESCRIPTION	SERIAL NO. FROM	NOTES:
1	86238980	1	HARNESS, MAIN		



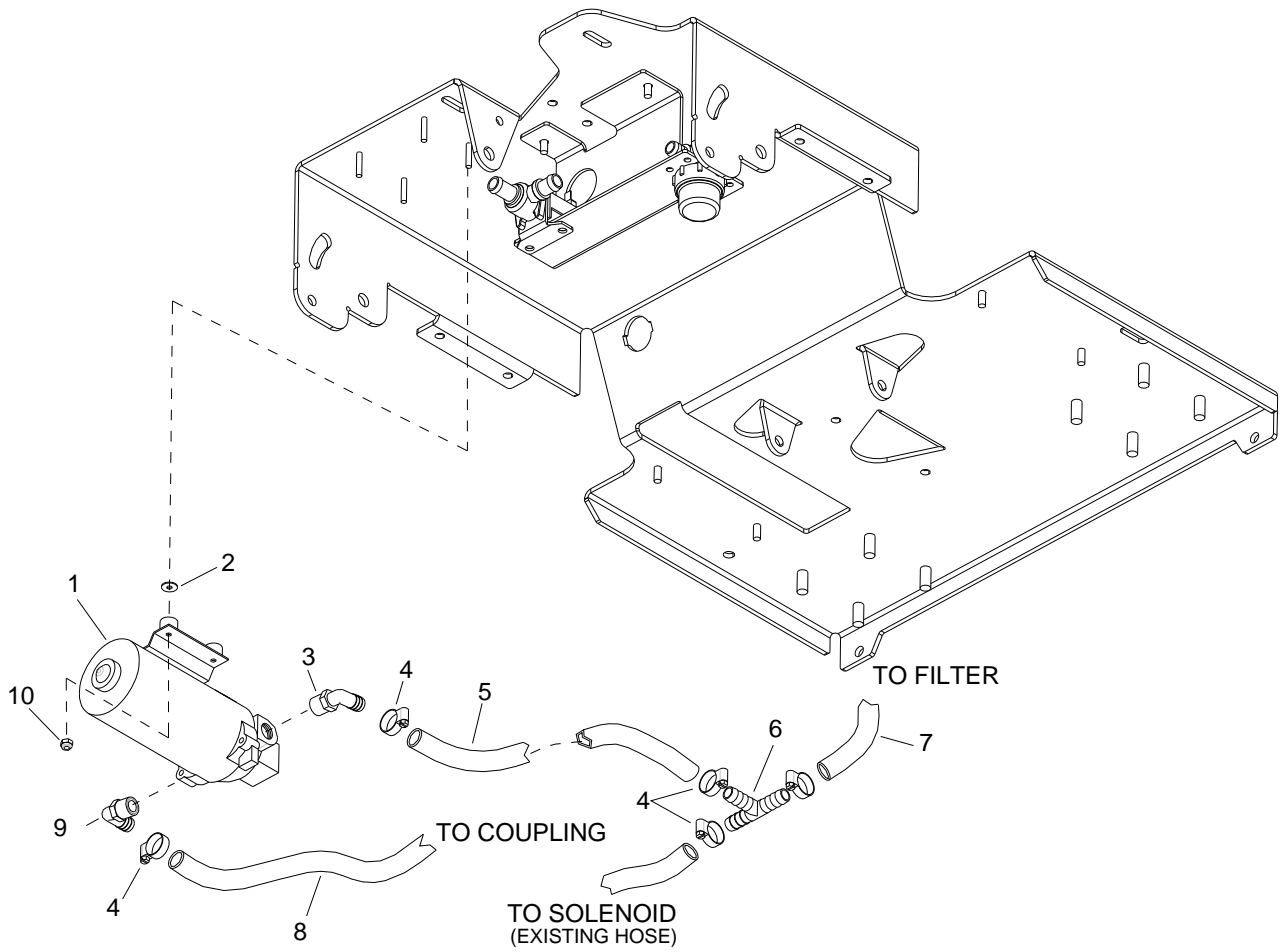
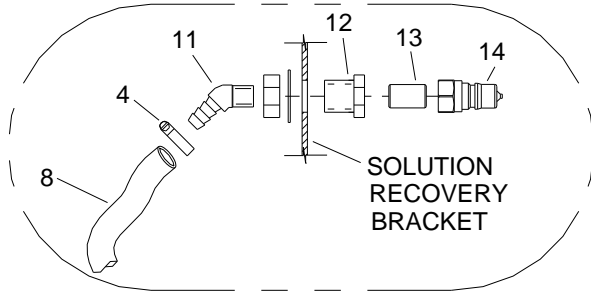


REF	PART NO.	QTY	DESCRIPTION	SERIAL NO. FROM	NOTES:
1	86248370	2	PAD, BRAKE		
2	86006220	3	PIN, ROLL 1/4 X 1.25L		
3	86251800	1	ROD, BRAKE 36V		
4	86231330	2	BUSH, BRZ FLG .63 X .75 X 1.0		
5	86255060	2	SPRING, EXT,.43D X 2.50L X .047W		
6	86070060	1	BRKT, LOWER BRAKE MOUNT 36V		
7	86234850	1	CRANK, BRAKE		
8	86272610	2	PIN, CLEVIS 5/16" X .75 PLTD		
9	86231820	1	CABLE, PARK BRAKE		
10	86008660	2	COTTER, 5/16" RING		
11	86010630	6	WASHER, 1/4 ID X 5/8 OD SS		
12	86271870	5	NUT, 1/4-20 HEX NYLOCK THIN SS		
13	86259400	2	WASHER, THRUST .51 ID X 1 OD BRO		
14	86228900	1	BEARING FLANGED .252 ID X .503OD		
15	86273820	1	SCR, 1/2-20 X 1.25 HHCS SS		
16	86077280	1	LEVER, BRAKE		



REF	PART NO.	QTY	DESCRIPTION	SERIAL NO. FROM	NOTES:
1	86007180	1	SWITCH, EMERGENCY STOP		
-	86269300	1	WIRE, 16" RED/18 STRIP X STRIP		NOT SHOWN

Accessory Pump - Optional



REF	PART NO.	QTY	DESCRIPTION	SERIAL NO. FROM	NOTES:
1	86006100	1	PUMP, ASM, 36V ACCESSORY		
2	86010650	4	WASHER, #10 X 9/16 OD		
3	86197940	1	HOSEBARB, 3/8MPT X 1/2 90D DL		
4	86233150	6	CLAMP, 3/8 HOSE (D-SLOT)		
5	86280750	1	HOSE, 1/2 WIREBOUND X 21"		
6	86240410	1	HOSEBARB, 1/2 TEE		
7	86282110	1	HOSE, 1/2" WIRE BOUND X 5.5		
8	86282200	1	HOSE, 3/8 X 40" WIRE BOUND		
9	86001550	1	HOSEBARB, 3/8MPT X 3/8 90D		
10	86270990	4	NUT, 10-32 HEX NYLOCK SS		
11	86197620	1	HOSEBARB, 1/4MPT X 3/8 45D DL		
12	86002470	1	COUPLING, 1/4 ANCHOR W/1" HEX		
13	86005590	1	NIPPLE, 1/4 CLOSE		
14	86005580	1	NIPPLE, 1/4 FPT QD		
-	86239020	1	HARNESS PUMP KIT ADAPTER		NOT SHOWN
-	86264940	1	CABLE TIE, 11.38" UL/CSA		NOT SHOWN

Serial Number

REF. NO.	MODEL: SERIAL #
1	10052280000004

