



## **Spare Parts List**

**(1.005-232.0, 1.005-233.0, 1.005-229.0, 1.005-230.0)**

### **Saber Cutter - Euro - 24V - Deluxe**

From Serial Number (Ref No. 1\*)

\* See Serial Number page  
or call manufacturer.

## *How to Use this Spare Parts List*

---

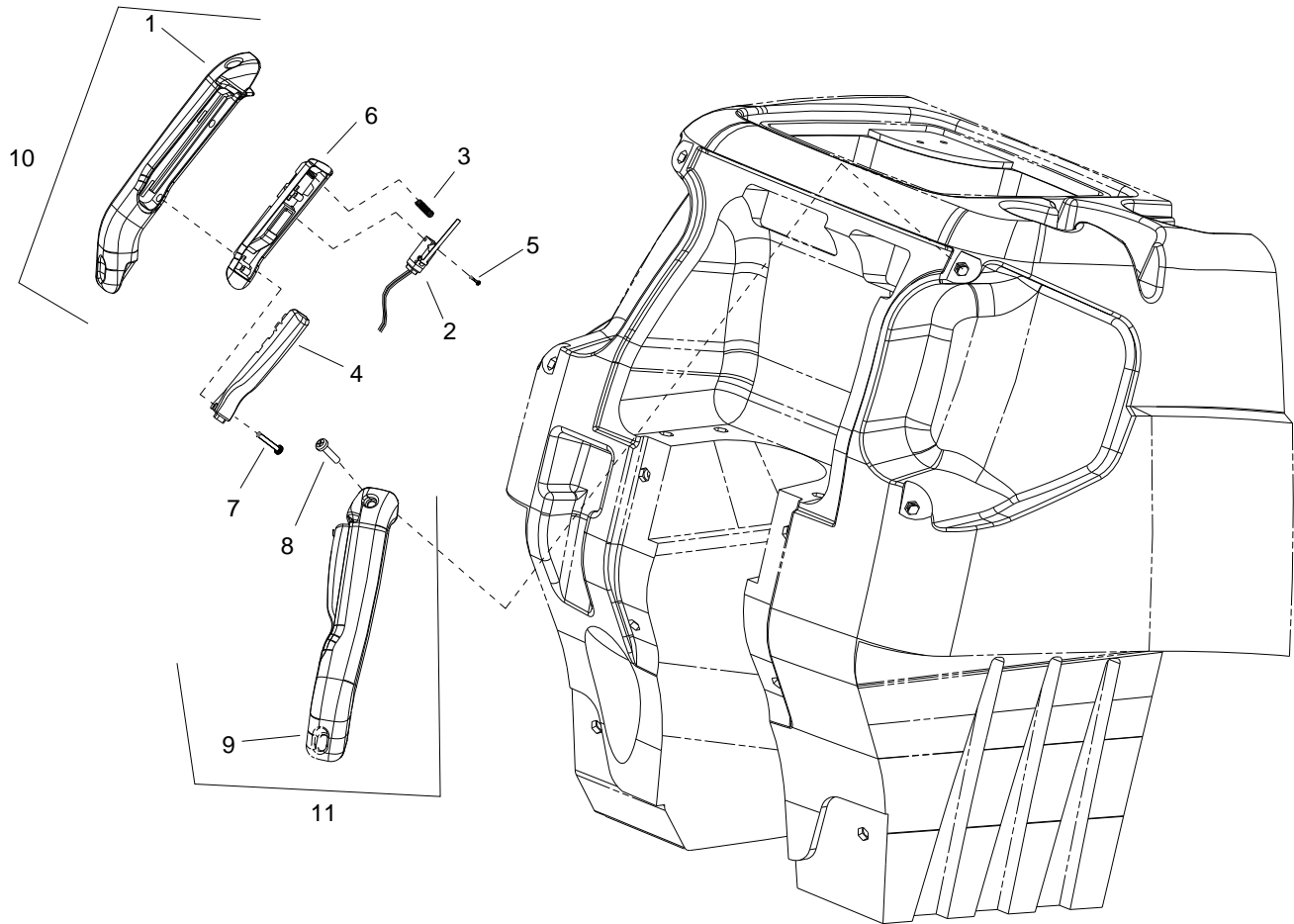
The PARTS LIST section contains assembled parts illustrations and corresponding parts list. The parts lists include a number of columns of information:

- REF - column refers to the reference number on the parts illustration.
- PART NO. - column lists the part number for the part.
- QTY - column lists the quantity of the part used in that area of the machine.
- DESCRIPTION - column is a brief description of the part.
- SERIAL NO. FROM - If this column has an (\*) and a Reference number, see the SERIAL NUMBERS page in the back of your manual. If column has two asterisk (\*\*), call manufacturer for serial number. The serial number indicates the first machine the part number is applicable to. The main illustration shows the most current design of the machine. When a boxed illustration is shown, it displays the older design.
- NOTES - column for information not noted by the other columns.

**NOTE:** *If a service or option kit is installed on your machine, be sure to keep the KIT INSTRUCTIONS which came with the kit. It contains replacement parts numbers needed for ordering future parts.*

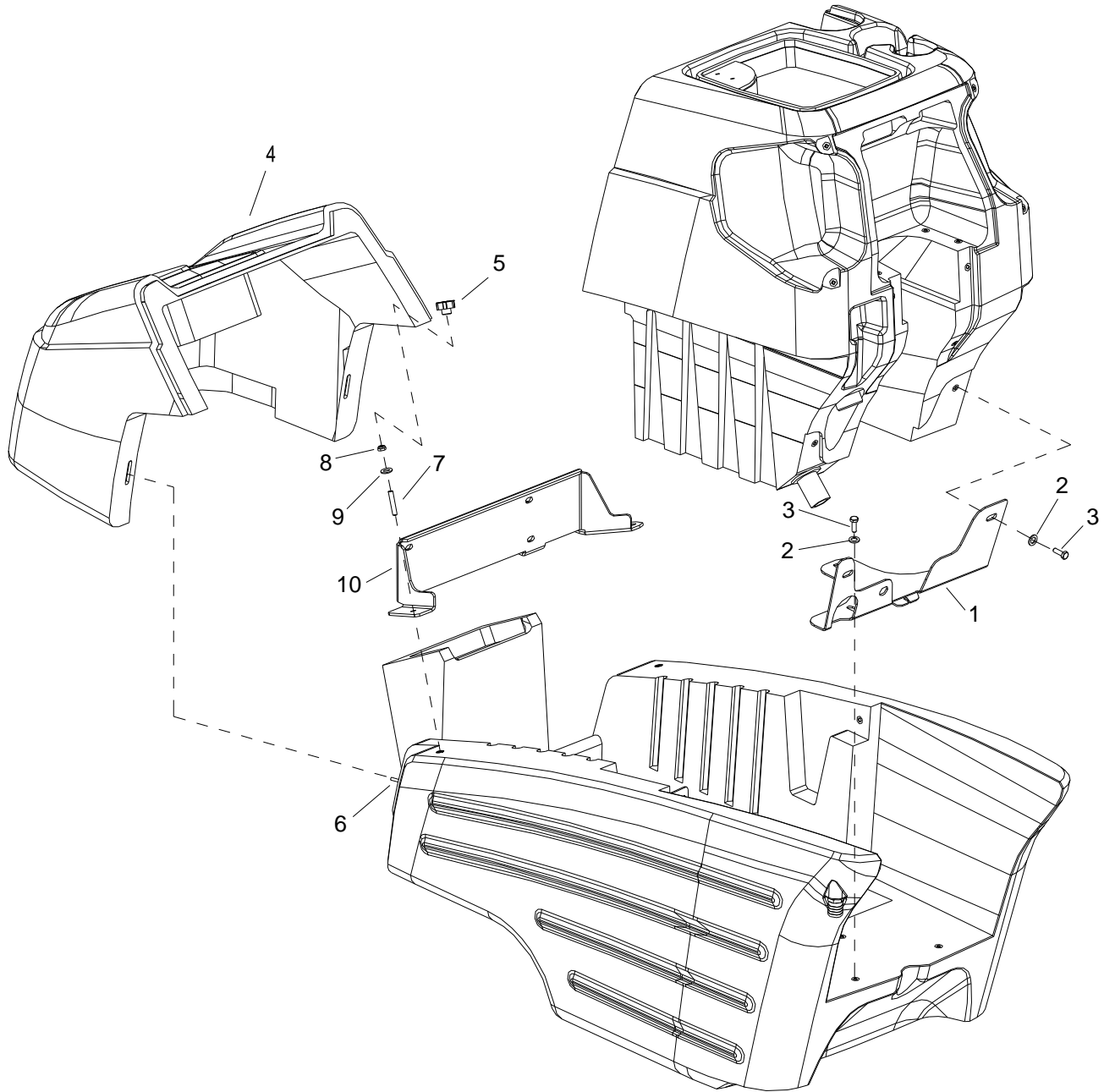
<b>How to Use this Spare Parts List</b> .....	<b>2</b>
<b>Table of Contents</b> .....	<b>3</b>
Control Handle .....	4
Cover (Front) & Tank Mount .....	6
Cover (Top) & Tank Mount .....	8
Decal .....	10
Electrical Panel .....	12
Lift Handle .....	14
Lift Handle Linkage .....	16
Recovery Tank .....	18
Scrub Brush & Pad Driver .....	20
Scrub Deck Aqua-mizer™ - 26 IN Scrubhead ...	22
Scrub Deck Aqua-mizer™ - 32 IN Scrubhead ...	24
Scrub Deck Motors .....	26
Scrub Deck Skirt- 26 IN Scrubhead .....	28
Scrub Deck Skirt - 32 IN Scrubhead .....	30
Scrub Deck Lift Linkage - 26 IN Scrub Deck .....	32
Scrub Deck Lift Linkage - 32 IN Scrub Deck .....	34
Scrub Deck Lift .....	36
Solution 1 .....	40
Solution 2 .....	42
Squeegee - 26 IN Scrubhead .....	44
Squeegee - 32 IN Scrubhead .....	46
Squeegee Lift Linkage (Lower) .....	48
Vacuum .....	50
Wheels & Frame .....	52
Wiring - Battery .....	54
Wiring - Control Panel .....	56
Wiring - Main Harness .....	58
Wiring - Schematic .....	60
Brake .....	62
Emergency Stop .....	64
Accessory Pump - Optional .....	66
<b>Serial Number</b> .....	<b>68</b>

# Control Handle



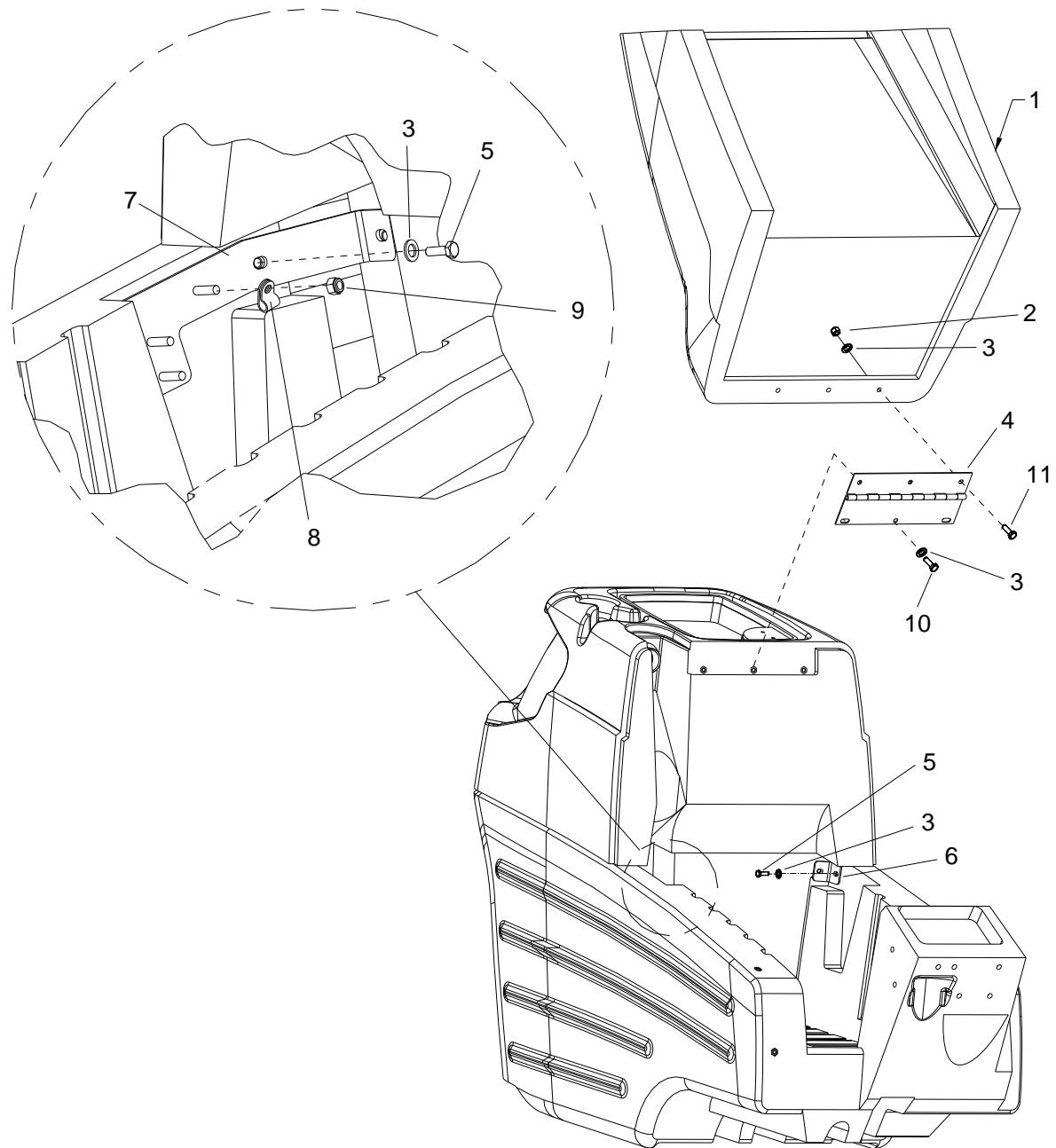
REF	PART NO.	QTY	DESCRIPTION	SERIAL NO. FROM	NOTES:
1	86238730	1	HANDLE, LEFT		
2	86257230	2	SWITCH, SPST MOM NO W/LEVER		
3	86254920	2	SPRING, COMP .240D X 1.25 X .018		
4	86338190	2	BUTTON PROPEL, YLW		
5	86277070	2	SCR, 4-40 X 5/8 PPHMS		
6	86240990	2	HOUSING, BUTTON		
7	86277060	4	SCR, 8-32 X 7/8 PHTC TYPE 23		
8	86277050	4	SCR, 5/16-18 X 3/4 SHCS NP SS		
9	86238740	1	HANDLE, RIGHT		
10	86338860	-	PROPEL HANDLE ASM, LEFT, YLW		
11	86338870	-	PROPEL HANDLE ASM, RT, YLW		

# Cover (Front) & Tank Mount



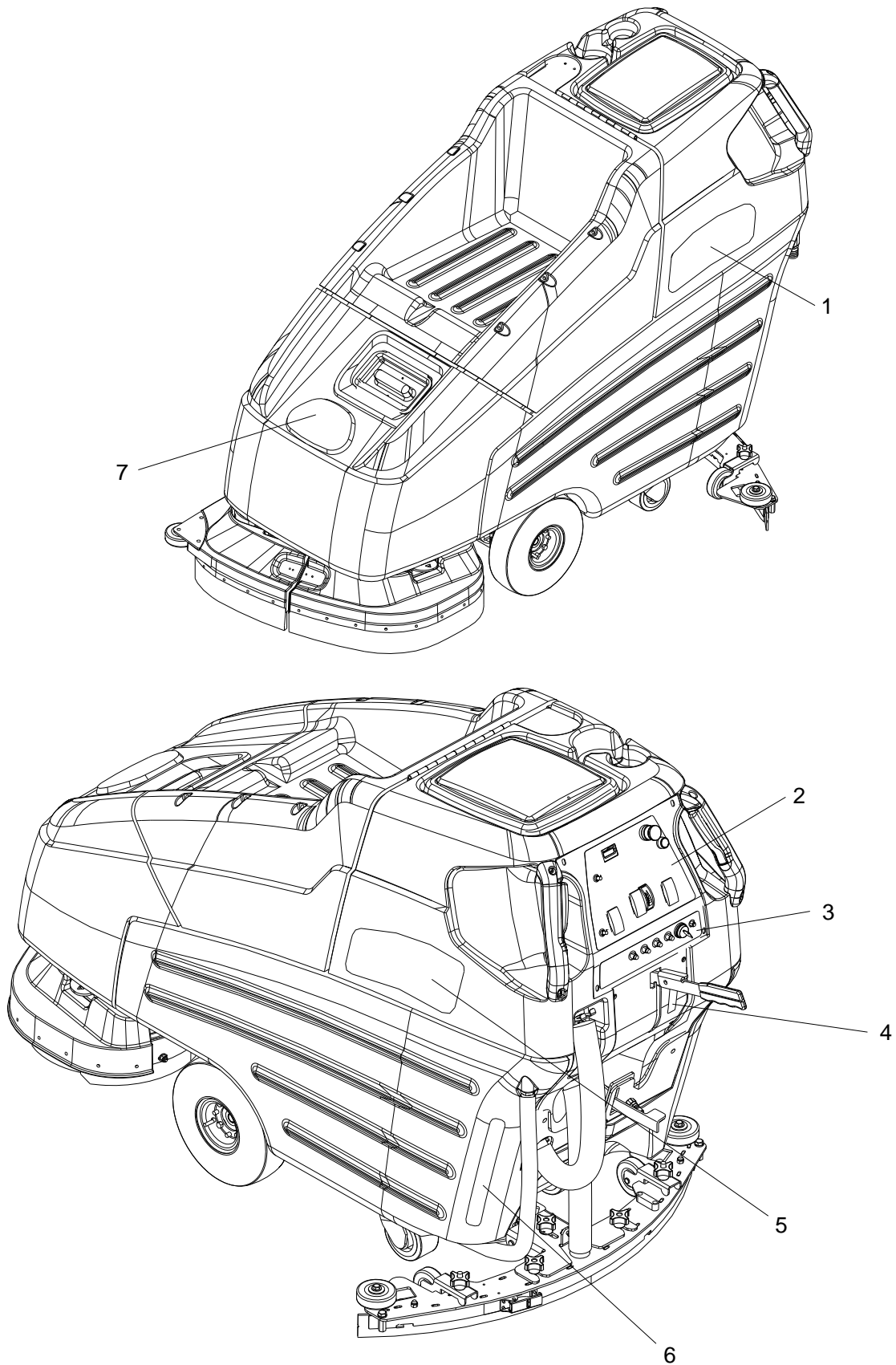
REF	PART NO.	QTY	DESCRIPTION	SERIAL NO. FROM	NOTES:
1	86070150	1	BRKT, TANK MOUNT 24V		
2	86010670	4	WASHER, 5/16 FLAT SS		
3	86276780	4	SCR, 5/16-18 X 3/4 HHCS SS		
4	86393050	1	COVER, FRONT, 24V GRY		
5	86377890	2	KNOB, 1.36" DIA X 5/16-18		
6	86276380	2	SCR, 5/16-18 X 1.25 SSSCU		
7	86278080	2	SET SCR, 5/16-18 X 1.75 CP SS		
8	86271840	2	NUT, 5/16-18 HEX NYLOCK THIN SS		
9	86010670	2	WASHER, 5/16 FLAT SS		
10	86068150	1	BRACKET, TANK SUPPORT		

# Cover (Top) & Tank Mount



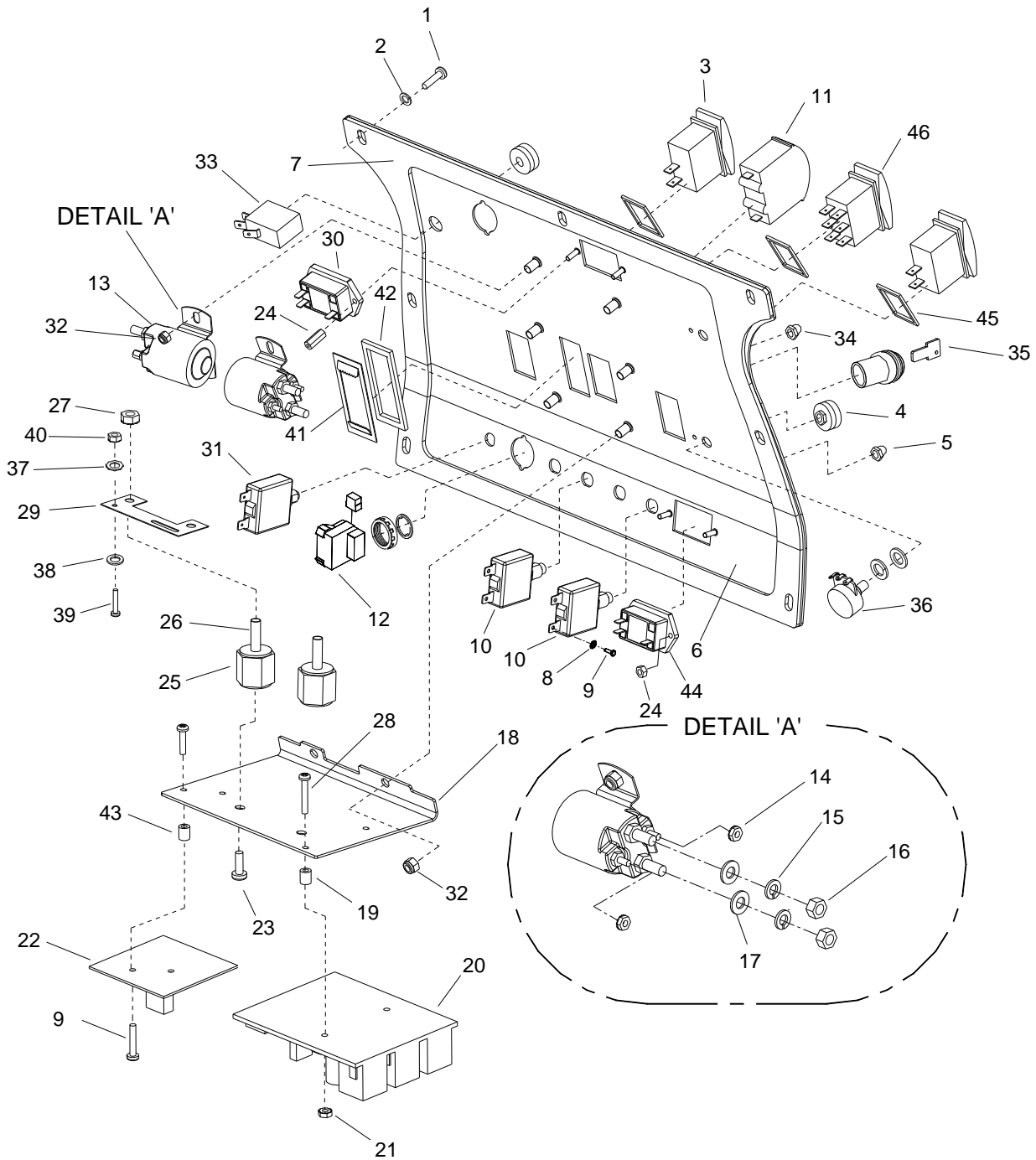


REF	PART NO.	QTY	DESCRIPTION	SERIAL NO. FROM	NOTES:
1	86393030	1	COVER, TOP, HD 24V, MD GRY		
2	86271840	3	NUT, 5/16-18 HEX NYLOCK THIN SS		
3	86010670	10	WASHER, 5/16 FLAT SS		
4	86239630	1	HINGE, COVER TO TANK		
5	86276780	4	SCR, 5/16-18 X 3/4 HHCS SS		
6	86073700	1	BRACKET, TANK LEFT		
7	86069630	1	BRACKET, TANK RIGHT		
8	86233390	1	CLAMP, 7/8 DIA "P" CUSHIONED		
9	86271870	1	NUT, 1/4-20 HEX NYLOCK THIN SS		
10	86276490	3	SCR, 5/16 -18 X 5/8 HHCS SS		
11	86276780	3	SCR, 5/16 -18 X 3/4 HHCS SS		
-	86292630	1	NET, CARGO		NOT SHOWN

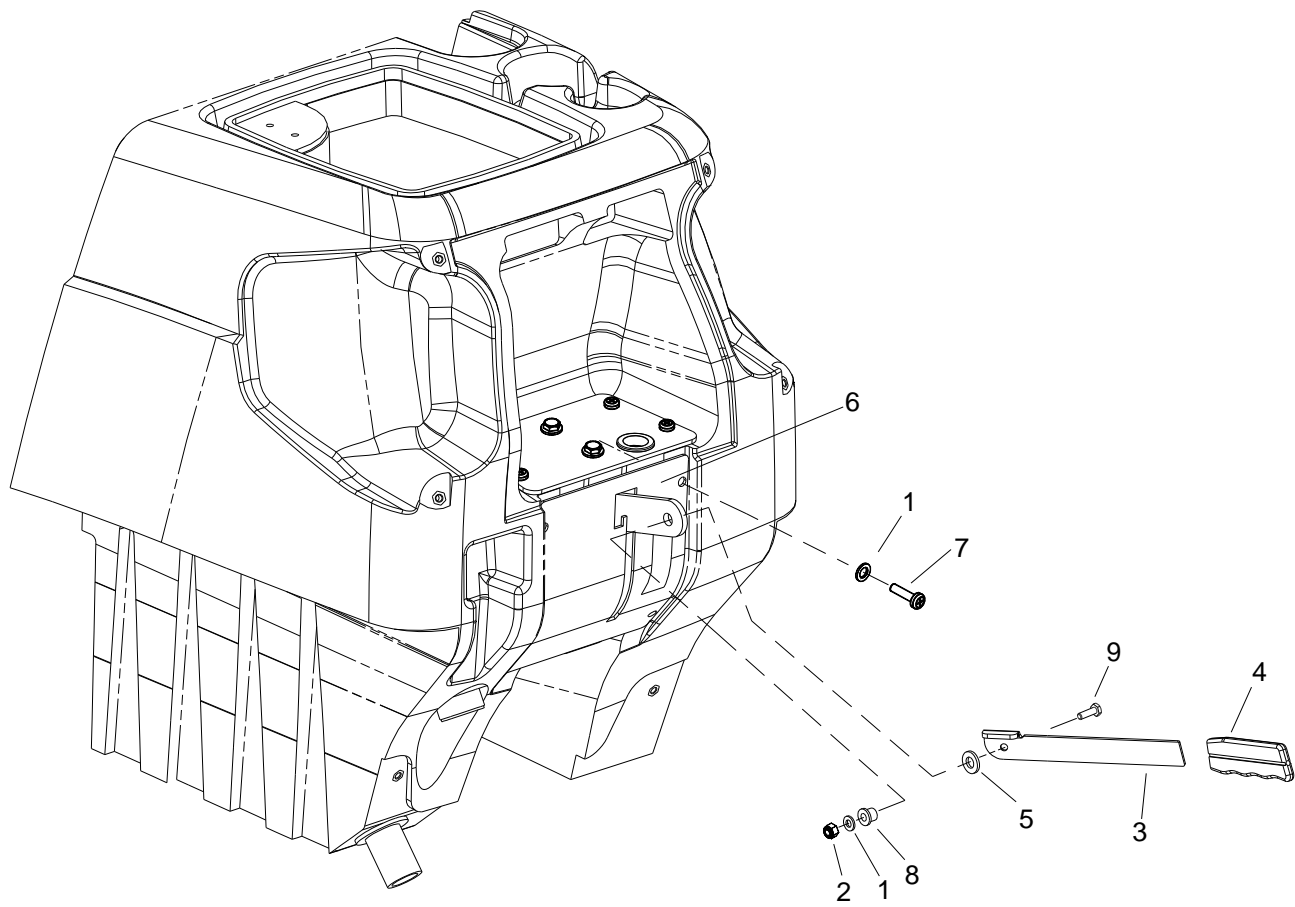


REF	PART NO.	QTY	DESCRIPTION	SERIAL NO. FROM	NOTES:
1	86396100	1	LABEL, CUTTER RIGHT		
2	86396130	1	LABEL, ELEC PANEL 24V DELUXE		
3	86400230	1	LABEL, ELEC. PANEL. LOWER 24V		
4	86396810	1	LABEL, SQUEEGEE LEVER		
5	86396120	1	LABEL, CUTTER LEFT		
6	86243180	1	LABEL, SOLUTION FILL 24V		
7	86395400	1	LABEL, WINDSOR LOGO DOMED		

# Electrical Panel

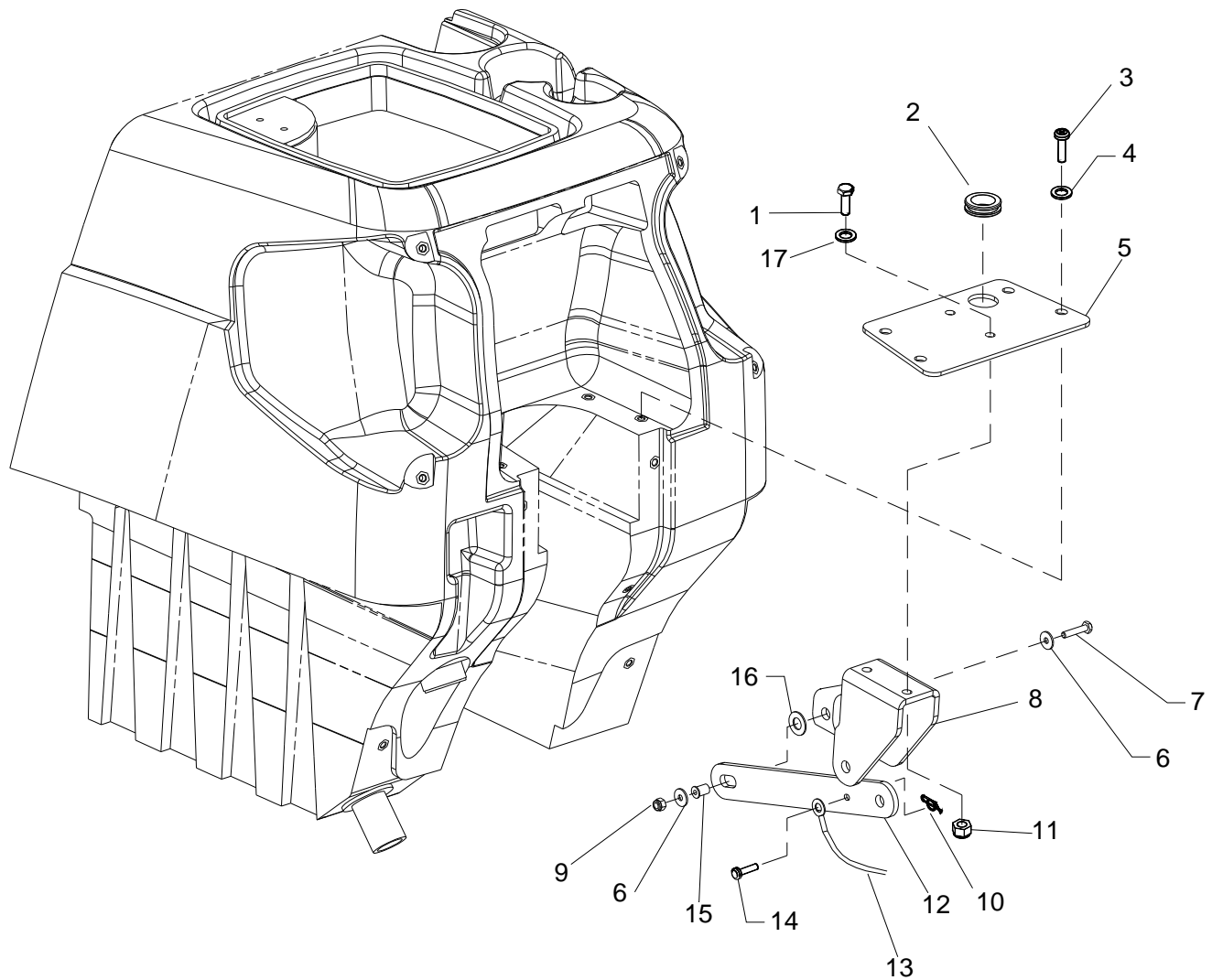


REF	PART NO.	QTY	DESCRIPTION	SERIAL NO. FROM	NOTES:
1	86276290	7	SCR, #10 X 3/4 PPHST HI-LO BLK		
2	86294250	7	WASHER, .19 ID X .5 X .09TK BLK		
3	86007140	2	SWITCH, SPST 2-POSITION ROCKER		
4	86242110	2	KNOB, .90 OD X .25 COLLET		
5	86008900	4	BOOT, SEAL-PUSH BUTTON 7/16-28		
6	86082180	1	PLATE, ELEC. PANEL 24V DELUXE		
7	86237800	1	GASKET, ELEC PLATE 24V		
8	86279300	8	WASHER, #6 LOCK		
9	86273990	12	SCR, 6-32 X 3/8 PPHMS SS		
10	86001910	4	BREAKER, 30A 50VDC CIRCUIT		
11	86246940	1	METER, 0-50 AMP DC		
12	86007170	1	SWITCH KEY TWO POSITION		
13	86006420	2	RELAY, 24VDC 100A		
14	86005700	4	NUT10-32 W/STAR WASHER PLTD		
15	86279480	4	WASHER, 5/16 EXT LOCK PLTD		
16	86271080	4	NUT, 5/16-24 HEX PLTD		
17	86010760	2	WASHER, .344 X .69 X .066 FLAT PLT		
18	86082820	1	PLATE, ELECT. PANEL, BACK		
19	86254440	2	SPACER, .166 ID X .313 OD X .375 L AL		
20	86002950	1	CONTROLLER, 24VDC PROPEL MOTOR		
21	86270850	2	NUT, 8-32 HEX NYLOCK SS		
22	86002350	1	CIRCUIT BOARD, SOL FLOAT WIRED		
23	86276880	2	SCR, 1/4-20 X 3/8 HHCS SS		
24	86255900	3	STANDOFF, 6-32 x 5/8 HEX NYL		
25	86255910	2	STANDOFF, 1/4-20 X 1.0 HEX INS		
26	86006850	2	SET SCR, 1/4-20 X 1.25 L		
27	86005710	2	NUT, 1/4-20 HEX W/STAR WASHER		
28	86273910	2	SCR, 8-32 X 1 PPHMS SS		
29	86253630	1	SHUNT, DC AMM. 25 AMP, 50MV		
30	86005520	1	METER, 24V BATTERY CHARGE LEVEL		
31	86002000	1	BREAKER, 3 AMP 1681-090-300		
32	86271870	6	NUT, 1/4-20 HEX NYLOCK THIN SS		
33	86257030	1	SWITCH, MOMENTARY, DPST		
34	86002010	1	BOOT, 3/8 CIRCUIT BRAKER		
35	86004860	1	KEY SWITCH		
36	86006310	1	POTENTIOMETER, 50K OHMS		
37	86279020	2	WASHER, #6 LOCK EXT STAR SS		
38	86279600	2	WASHER, #6 FLAT BRASS		
39	86276250	2	SCR, 6-32 X 3/8 SRHMS BR		
40	86271790	2	NUT, 6-32 HEX BRASS		
41	86249290	1	PLATE, METER RETAINING		
42	86237830	1	GASKET, AMP METER		
43	86255890	2	STANDOFF, 6-33 X 1.0 HEX NYL		
44	860055220	1	METER, 24V BATTERY CHARGE LEVEL		
45	86238030	3	GASKET, SWITCH CARLING		
46	86007210	1	SWITCH, DPDT 3-POSITION ROCKER		
-	86267340	2	WIRE, 22" RED/18 76040 X 76075		NOT SHOWN
-	86267360	1	WIRE, 14" BLK/18 76011 X 76040		NOT SHOWN



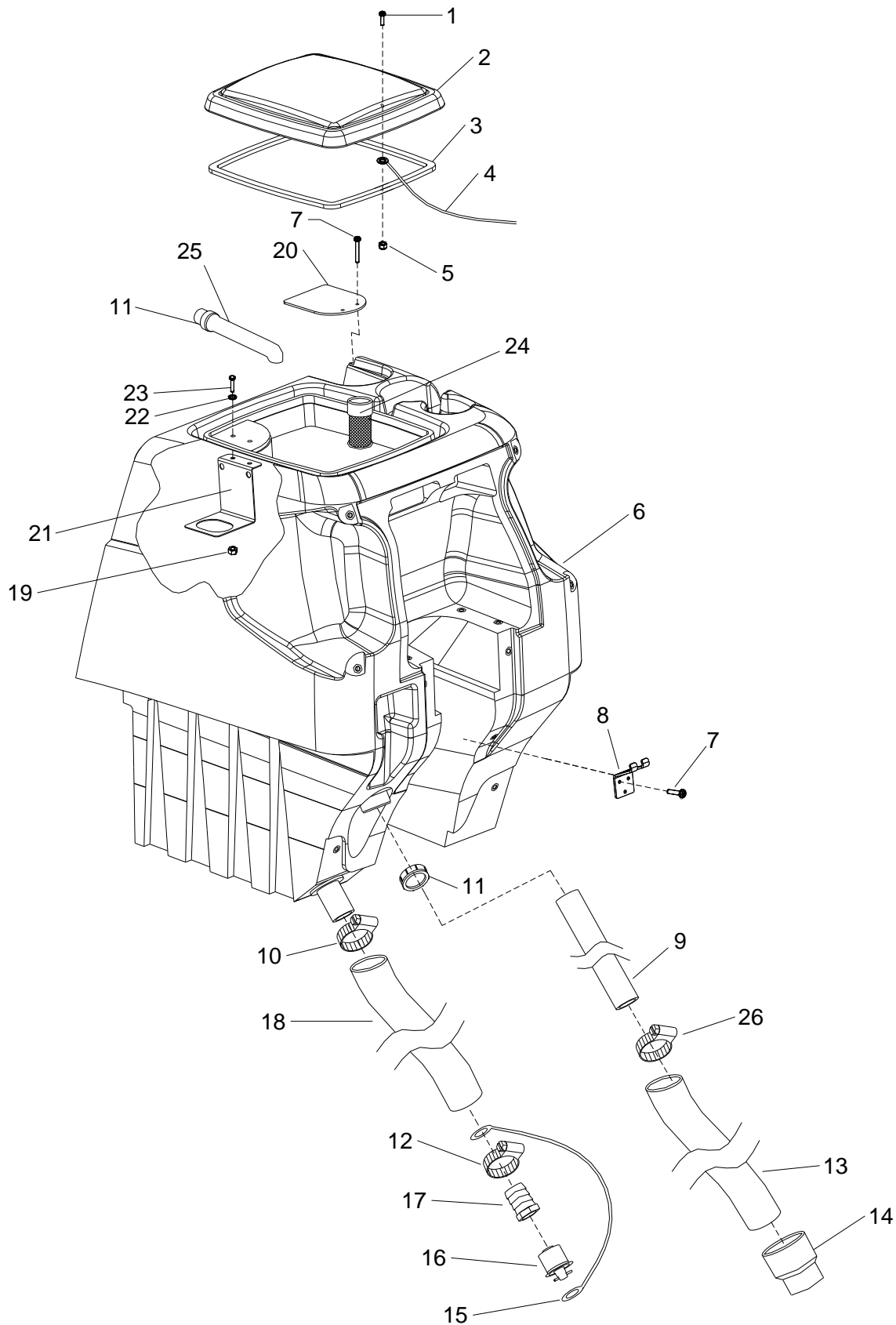
REF	PART NO.	QTY	DESCRIPTION	SERIAL NO. FROM	NOTES:
1	86010670	5	WASHER, 5/16 FLAT SS		
2	86271840	1	NUT, 5/16-18 HEX NYLOCK THIN SS		
3	86066860	1	BAR, SQG LIFT SWING 36V		
4	86336000	1	GRIP, 3/16X 1.0, YLW		
5	86259400	1	WASHER, THRUST .51ID X 1OD BRO		
6	86082390	1	PLATE, LEVER NOTCH DLX		
7	86276780	4	SCR, 5/16-18 X 3/4 HHCS SS		
8	86228840	1	BEARING, FLANGED .314 ID X .502 OD		
9	86006930	1	SCR, 5/16-18 X 1.00 BSHCS SS		

# Lift Handle Linkage

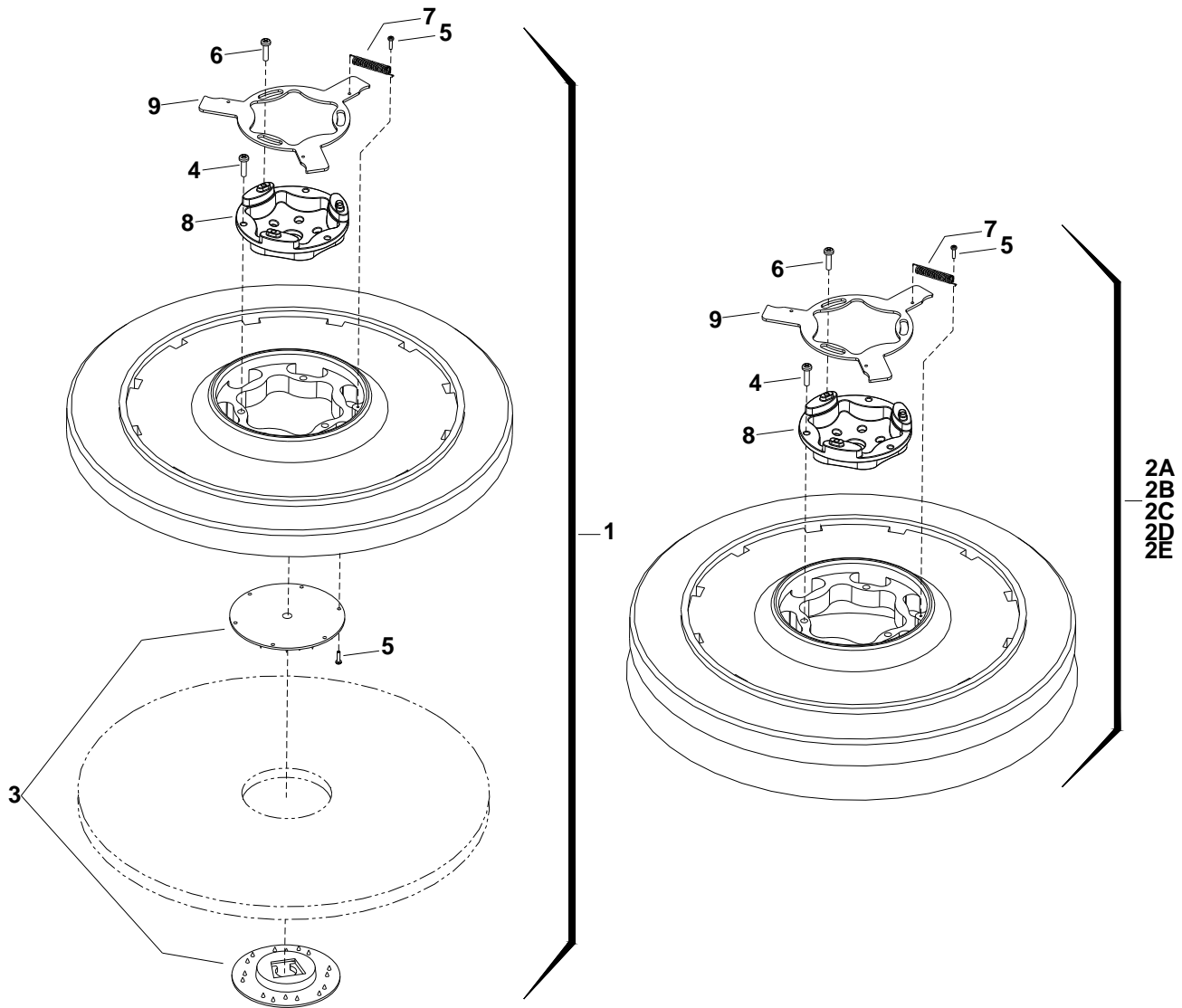




REF	PART NO.	QTY	DESCRIPTION	SERIAL NO. FROM	NOTES:
1	86276920	2	SCR, 3/8-16 X 1 HHCS SS NP		
2	86238430	1	GROMMET, 1.00ID 3/16 GRIP		
3	86276780	4	SCR, 5/16-18 X 3/4 HHCS SS		
4	86010670	4	WASHER, 5/16 FLAT SS		
5	86082270	1	PLATE, PIVOT		
6	86010630	2	WASHER, 1/4ID X 5/8OD SS		
7	86273820	1	SCR, 1/4-20 X 1.25 HHCS SS		
8	86069610	1	BRACKET, SCRUB DECK PIVOT 24V		
9	86271870	1	NUT, 1/4-20 HEX NYLOCK THIN SS		
10	86008650	1	COTTER, 1/4" RING		
11	86005630	2	NUT, 3/8-16 HEX NYLOCK THIN SS		
12	86077480	1	LINK, SQG LIFT FIXED		
13	86003240	1	CABLE, .125 X 26.5 0707 SS LB E-E		
14	86009560	1	PIN, CLEVIS 1/4" X .63" PLTD		
15	86228900	1	BEARING, FLANGED .252ID X .503OD		
16	86259400	1	WASHER, THRUST .51ID X 1OD BRO		
17	86278910	2	WASHER, 3/8 ID X 7/8 OD SS		



REF	PART NO.	QTY	DESCRIPTION	SERIAL NO. FROM	NOTES:
1	86273950	1	SCR, 6-32 X 1/2 PPHMS		
2	86003340	1	DOME, 13 X 11		
3	86003990	1	GASKET, DOME		
4	86246080	2	LANYARD, 18.0 W/ LOOP & EYE		
5	86270920	1	NUT, 6-32 HEX NYLOCK SS		
6	86392990	1	TANK, REC, HD 24V, MD GRY		
7	86276290	5	SCR, #10 X 3/4 PPHST HI-LO BLK		
8	86001190	1	BRACKET, RECOVERY HOSE MTG		
9	86089630	1	TUBE, 1.5 PVC X 24.0		
10	86233140	2	CLAMP, 2.0" WORM GEAR		
11	86372080	2	NUT, 1.5 SLIP JOINT		
12	86002400	1	CLAMP, 2.0" WORM GEAR X .312W		
13	86004180	1	HOSE, 1.5 BLK VAC X 28"		
14	86002840	1	CUFF, 1.5 SLIP X 1.5 HOSE		
15	86008400	1	TETHER, DRAIN PLUG		
16	86006240	1	PLUG, DRAIN HOSE		
17	86004450	1	HOSEBARB, 1.5 DOUBLE MCHD		
18	86004260	1	HOSE, 1.5 X 24.0 DRAIN		
19	86271870	2	NUT, 1/4-20 HEX NYLOCK THIN SS		
20	86075540	1	COVER, VACUUM HOSE		
21	86069780	1	BRACKET, VAC INTAKE		
22	86010630	2	WASHER, 1/4ID X 5/8OD SS		
23	86273810	2	SCR, 1/4-20 X 1 HHCS SS		
24	86236410	1	FLOAT, VAC SHUT OFF		
25	86257860	1	TUBE, 1.5 WASTE		



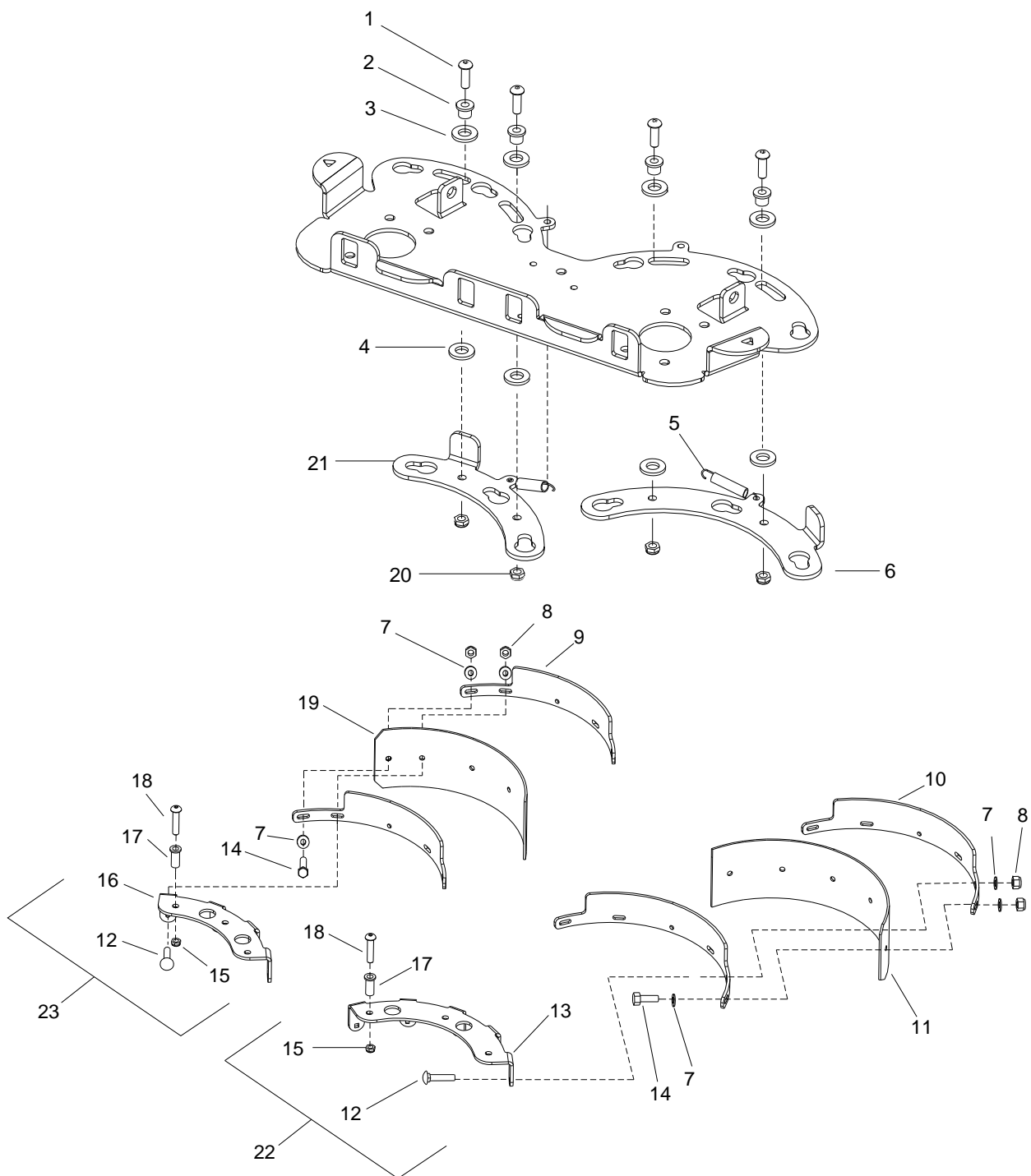
**26 IN Disk**

REF	PART NO.	QTY	DESCRIPTION	SERIAL NO. FROM	NOTES:
1	86000210	2	PAD DRIVER, 13" SD		
2A	86000220	2	BRUSH, 13" POLYPROPYLENE SD		
2B	86000230	2	BRUSH, 13" NYLON SD U19981		
2C	86000240	2	BRUSH, 13" MILD GRIT SD U19882		
3	86005070	1	LOCK, PAD CENTER SNAP, TWO STEP		
4	86276590	3	SCR, #12 X 1.0 PPHMS SS		
5	86276580	4	SCR, 8-32 X 3/4 PTHMS SS		
6	86276600	3	SCR, #10 X 3/4 PTHMS SS		
7	86007910	1	SPRING, EX .31 D X 2.0 L X .03 W SS		
8	86007280	1	SOCKET, DRIVE BRUSH		
9	86005940	1	PLATE, BRUSH RELEASE		

**32 IN Disk**

REF	PART NO.	QTY	DESCRIPTION	SERIAL NO. FROM	NOTES:
1	86000290	2	PAD DRIVER, 16" SD		
2A	86000300	2	BRUSH, 16" POLYPROPYLENE SD		
2B	86000310	2	BRUSH, 16" NYLON SD		
2C	86000320	2	BRUSH, 16" NYLON POLISH SD		
2D	86000330	2	BRUSH, 16" MILD GRIT SD		
2E	86000340	2	BRUSH, 16" SUPER AGGRESSIVE SD		
3	86005070	1	LOCK, PAD CENTER SNAP, TWO STEP		
4	86276590	3	SCR, #12 X 1.0 PPHMS SS		
5	86276580	4	SCR, 8-32 X 3/4 PTHMS SS		
6	86276600	3	SCR, #10 X 3/4 PTHMS SS		
7	86007910	1	SPRING, EXT .31 D X 2.0 L X .03 W SS		
8	86007280	1	SOCKET, DRIVE BRUSH		
9	86005940	1	PLATE, BRUSH RELEASE		

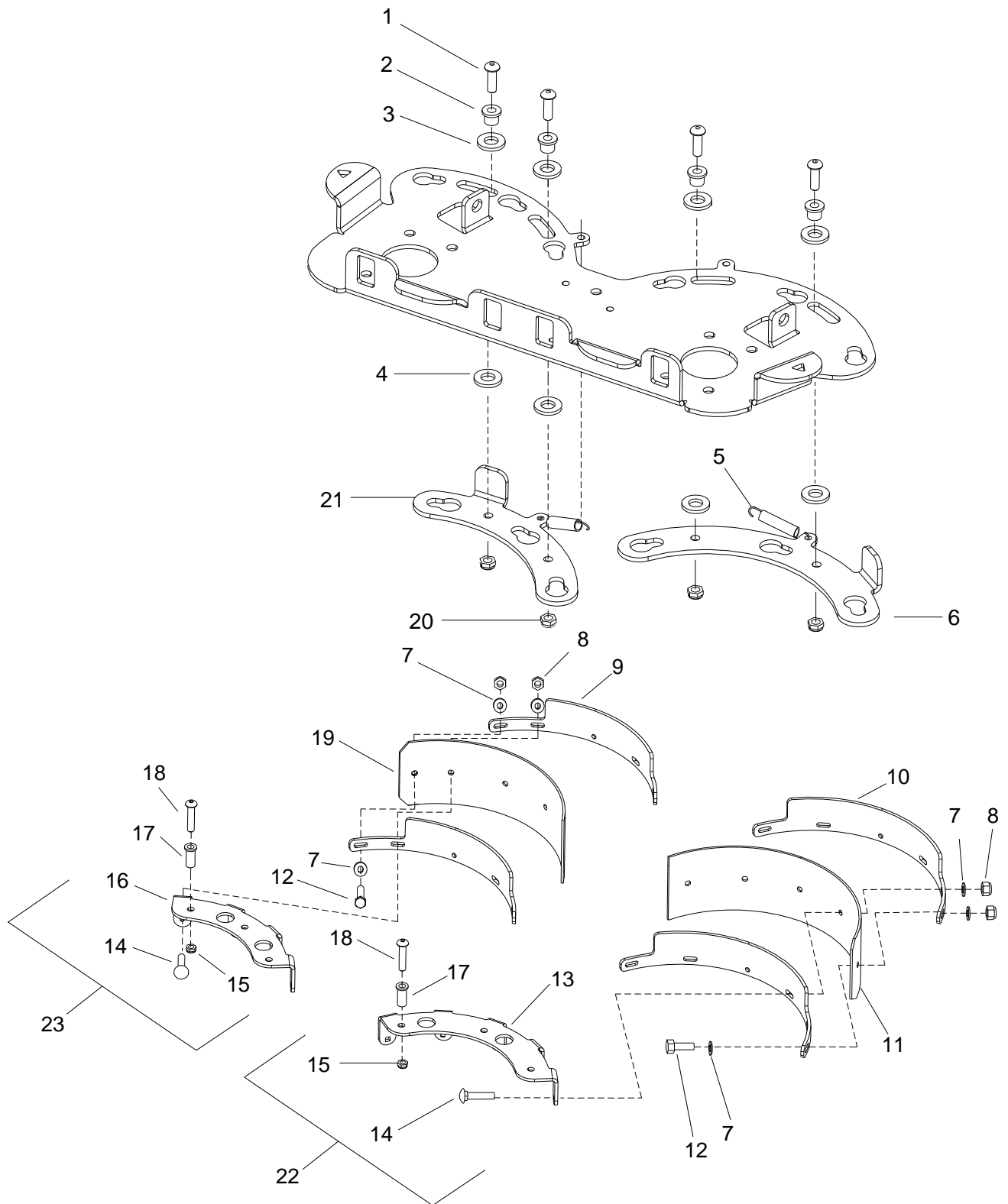
# Scrub Deck Aqua-mizer™ - 26 IN Scrubhead



*Scrub Deck Aqua-mizer™ - 26 IN Scrubhead*

REF	PART NO.	QTY	DESCRIPTION	SERIAL NO. FROM	NOTES:
1	86006930	4	SCR, 5/16-18 X 1.00 BSHCS SS		
2	86228840	4	BEARING, FLANGED .314 ID X .502 OD		
3	86259420	4	WASHER, THRUST .51 ID X 1 OD BRO		
4	86259400	4	WASHER, THRUST .51 ID X 1 OD BRO		
5	86255060	2	SPRING, EXT. .43D X 2.50L X .047W		
6	86082370	1	PLATE, AQ LOCK L 13 IN		
7	86010630	13	WASHER, 1/4 ID C 5/8 OD SS		
8	86271870	11	NUT, 1/4-20 HEX NYLOCK THIN SS		
9	86255990	2	STRAP, AQ, BACK, L 13 IN		
10	86256000	2	STRAP, AQ, BACK, R 13 IN		
11A	86001410	1	BLADE, 13 LEFT		
11B	86135150	1	BLADE, 13 IN LT URETHANE		
12	86276960	9	SCR, 1/4-20 X 1 CARRIAGE SS		
13	86249530	1	PLATE, AQ ATTACH L 13 IN		
14	86273810	2	SCREW, 1/4-20 X 1 HHCS SS		
15	86005630	6	NUT, 3/8-16 HEX NYLOCK THIN SS		
16	86249540	1	PLATE, AQ, ATTACH R 13 IN		
17	86228910	6	BEARING, FLANGED .377 ID C .502 OD		
18	86276860	6	SCR, 3/8-16 X 1.75 BSHCS SS		
19A	86001400	1	BLADE, 13 IN RIGHT		
19B	86135140	1	BLADE, 13IN RT URETHANE		
20	86271840	4	NUT, 5/16-18 HEX NYLOCK THIN SS		
21	86082380	1	PLATE, AQ LOCK R 13 IN		
22	86024970	-	AQUA-MIZER™ 26" SCRUBHEAD LEFT		
23	86024980	-	AQUA-MIZER™ 26" SCRUBHEAD RIGHT		

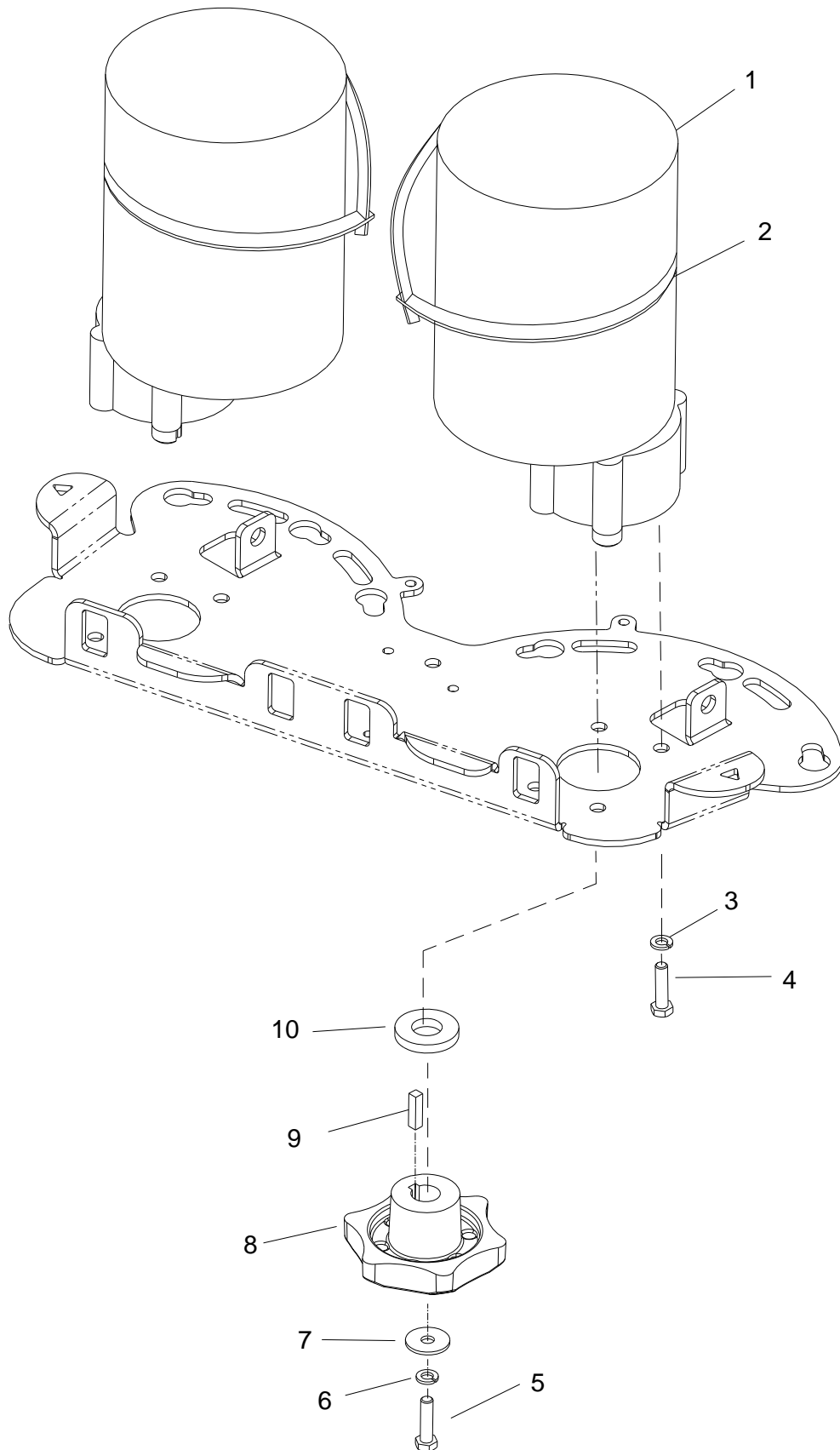
Scrub Deck Aqua-mizer™ - 32 IN Scrubhead





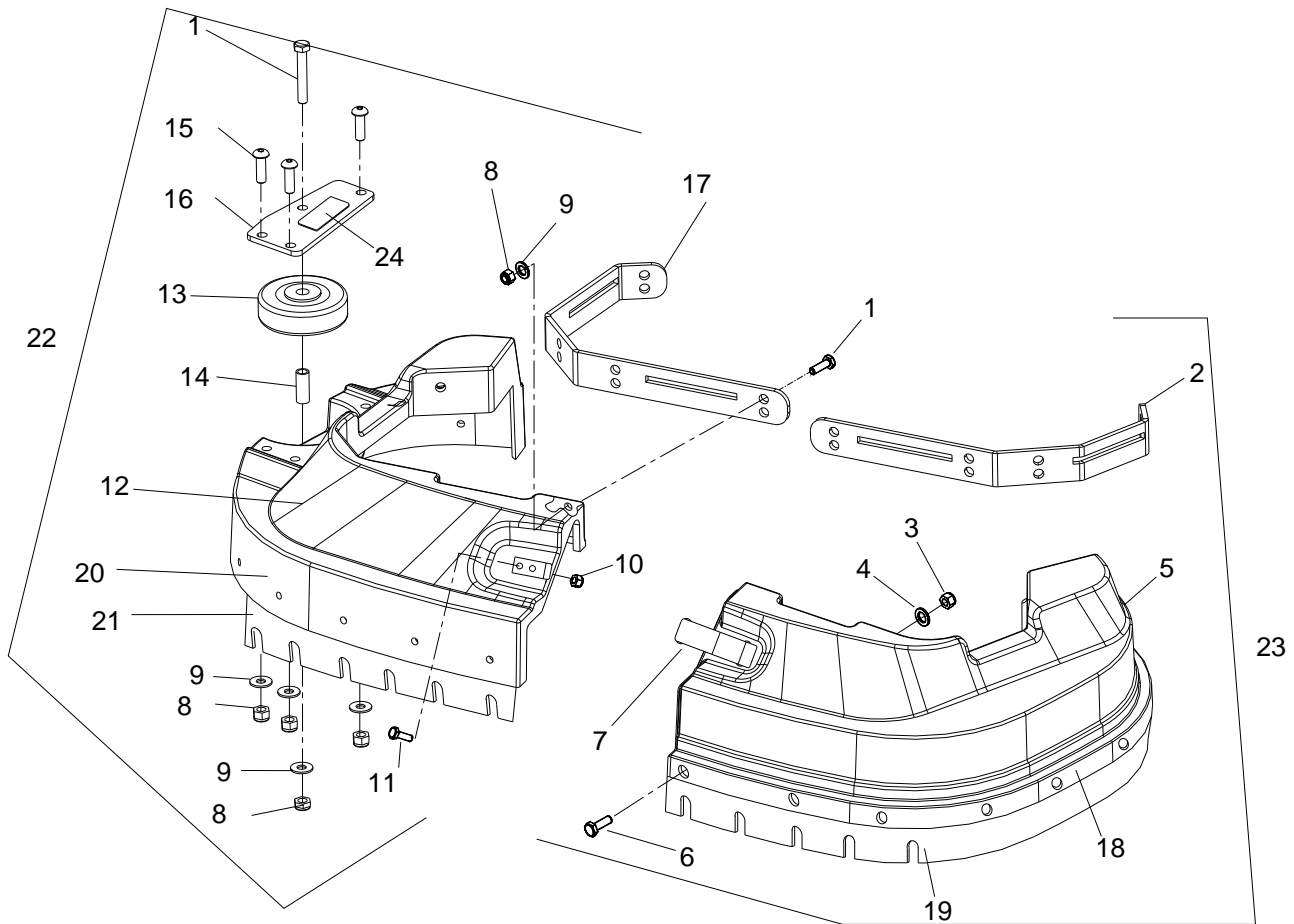
*Scrub Deck Aqua-mizer™ - 32 IN Scrubhead*

REF	PART NO.	QTY	DESCRIPTION	SERIAL NO. FROM	NOTES:
1	86006930	4	SCR, 5/16-18 X 1.00 BSHCS SS		
2	86228840	4	BEARING, FLANGED .314 ID X .502 OD		
3	86259420	4	WASHER, THRUST .51 ID X 1 OD BRO		
4	86259400	4	WASHER, THRUST .51 ID X 1 OD BRO		
5	86255060	2	SPRING, EXT. .43D X 2.50L X .047W		
6	86249590	1	PLATE, AQ LOCK LEFT 16 IN		
7	86010630	13	WASHER, 1/4 ID 5/8 OD SS		
8	86271870	11	NUT, 1/4-20 HEX NYLOCK THIN SS		
9	86256020	2	STRAP, AQ, BACK, L 16 INCH		
10	86256010	2	STRAP, AQ, BACK, L 16 INCH		
11A	86001430	1	BLADE, AQ LEFT 16 INCH		
11B	86135160	1	BLADE, AQ LT 16 INCH URETHANE		
12	86273810	2	SCR, 1/4-20 X 1 HHCS SS		
13	86082870	1	PLATE, AQ ATTACH L, 16"		
14	86276960	9	SCR, 1/4-20 X 1 CARRIAGE SS		
15	86005630	6	NUT, 3/8-16 HEX NYLOCK THIN SS		
16	86082880	1	PLATE, AQ, ATTACH R 16 IN		
17	86228910	6	BEARING, FLANGED .377 ID C .502 OD		
18	86276860	6	SCR, 3/8-16 X 1.75 BSHCS SS		
19A	86135140	1	BLADE, AQ RIGHT 16 INCH		
19B	86135170	1	BLADE, AQ RT 16 INCH URETHANE		
20	86271840	4	NUT, 5/16-18 HEX NYLOCK THIN SS		
21	86249600	1	PLATE, AQ LOCK RIGHT 16 IN		
22	86024960	-	AQUA-MIZER™ 32" SCRUBHEAD LEFT		
23	86004700	-	AQUA-MIZER™ 32" SCRUBHEAD RIGHT		



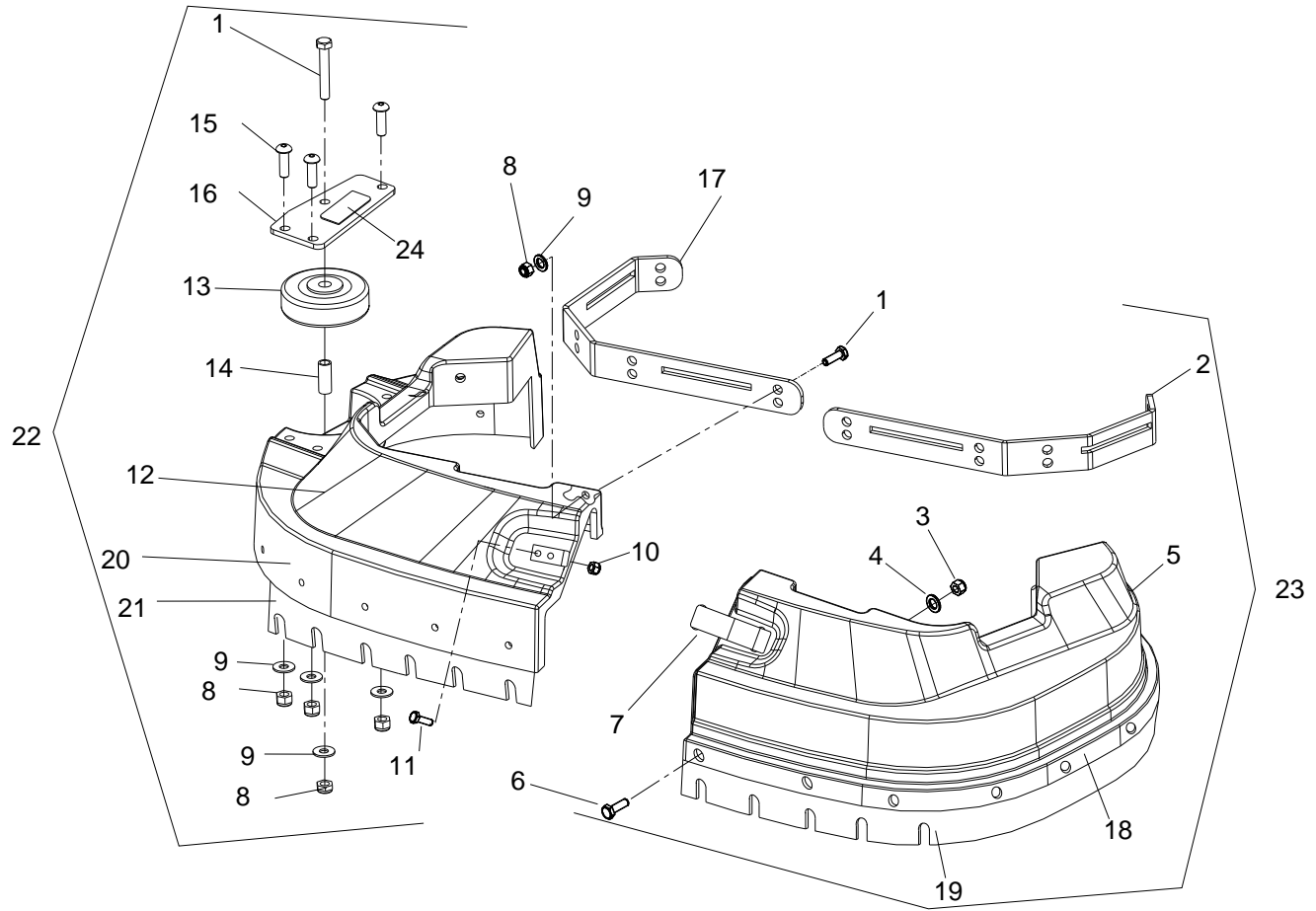
REF	PART NO.	QTY	DESCRIPTION	SERIAL NO. FROM	NOTES:
1	86005320	2	MOTOR ASM, 24VDC 200RPM GEAR		
-	86001360	-	BRUSH SET, 53630 ASI		NOT SHOWN
2	86002830	2	CABLE TIE, .375 X 24.7		
3	86010790	8	WASHER, 3/8 SPLIT LOCK PLTD		
4	86276970	8	SCR, 3/8-16 X 3/4 HHCS SS		
5	86007020	2	SCR, 5/16-18 X 1.25 HHCS SS		
6	86279130	2	WASHER, 5/16 SPLIT LOCK PLTD		
7	86279630	2	WASHER, .344ID X 1.13OD X .09T PLTD		
8	86003420	2	DRIVER, BRUSH SD		
9	86004810	2	KEY, 1/4 SQ. X 1.00		SUPPLIED W/ MTR
10	86279640	2	WASHER, .78ID X 1.63OD X .25T PLTD		

# Scrub Deck Skirt- 26 IN Scrubhead



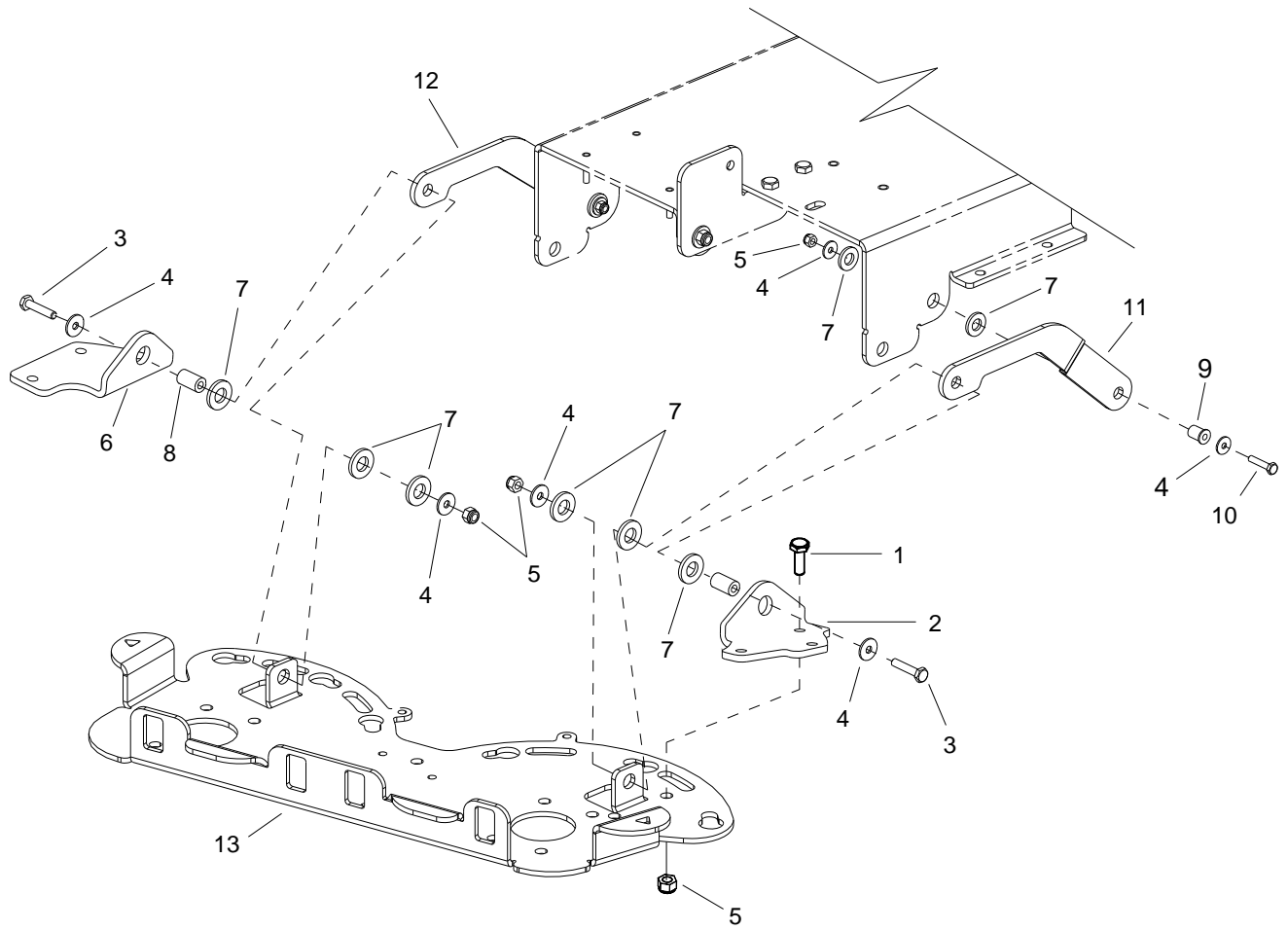
REF	PART NO.	QTY	DESCRIPTION	SERIAL NO. FROM	NOTES:
1	86006930	10	SCR, 5/16-18 X 1.00 BSHCS SS		
2	86069650	1	BRACKET, SHROUD LEFT		
3	86271900	19	NUT, 10-24 HEX NYLOCK THIN SS		
4	86010650	19	WASHER, #10 X 9/16 ODS		
5	86062940	1	SHROUD, SCRUBDECK 26" LFT		
6	86277110	19	SCR, 10-24 X 3/4 PPHMS SS		
7	86161800	1	LATCH & CONCEALED KEEPER		
8	86271840	12	NUT, 5/16-18 HEX NYLOCK THIN SS		
9	86292500	11	WASHER, 5/16 ID X 9/16 OD SS		
10	86270920	4	NUT, 6-32 HEX NYLOCK SS		
11	86273950	4	SCR, 6-32 X 1/2 PPHMS SS		
12	86062950	1	SHROUD, SCRUBDECK 26" RIGHT		
13	86011020	1	WHEEL, 3" DIA CUSHION RUBBER		
14	86001350	1	BUSHING, SPANNER, .435 X 1.10		
15	86277150	1	SCR, 5/16-18 X 2 BSHCS SS		
16	86082950	1	PLATE, BUMPER WHEEL ATTACH		
17	86069640	1	BRKT, SHROUD RIGHT		
18	86066380	1	BAND, SHROUD SKIRT LEFT		
19	86007440	1	SKIRT, 26INCH LEFT		
20	86066390	1	BAND, SHROUD SKIRT RIGHT		
21	86007450	1	SKIRT, 26INCH RIGHT		
22	86004730	-	SHROUD ASM, 26" RIGHT SCRUBHEAD		
23	86004740	-	SHROUD ASM, 26" LEFT SCRUBHEAD		
24	86244100	1	LABEL, AQUA-MIZER		

# Scrub Deck Skirt - 32 IN Scrubhead



REF	PART NO.	QTY	DESCRIPTION	SERIAL NO. FROM	NOTES:
1	86006930	10	SCR, 5/16-18 X 1.00 BSHCS SS		
2	86070050	1	BRACKET, SHROUD RETAINER LEFT		
3	86271900	23	NUT, 10-24 HEX NYLOCK THIN SS		
4	86010650	23	WASHER, #10 X 9/16 OD		
5	86062960	1	SHROUD, SCRUBDECK 32" LEFT		
6	86277110	23	SCR, 10-24 X 3/4 PPHMS SS		
7	86161800	1	LATCH & CONCEALED KEEPER		
8	86271840	10	NUT, 5/16-18 HEX NYLOCK THIN SS		
9	86292500	11	WASHER, 5/16 ID X 9/16 OD SS		
10	86270920	4	NUT, 6-32 HEX NYLOCK SS		
11	86273950	4	SCR, 6-32 X 1/2 PPHMS SS		
12	86062970	1	SHROUD, SCRUBDECK 32" RIGHT		
13	86011020	1	WHEEL, 3" DIA CUSHION RUBBER		
14	86001350	1	BUSHING, SPANNER, .435 X 1.10		
15	86277150	1	SCR, 5/16-18 X 2 BSHCS SS		
16	86082950	1	PLATE, BUMPER WHEEL ATTACH		
17	86070040	1	BRKT, SHROUD RETAINER RIGHT		
18	86066410	1	BAND, SKIRT LEFT 32 INCH		
19	86007530	1	SKIRT, 32 INCH LEFT		
20	86069640	1	BAND, SKIRT RIGHT 32 INCH		
21	86007540	1	SKIRT, 32 INCH RIGHT		
22	86004710	-	SHROUD ASM, 32" RIGHT SCRUBHEAD		
23	86004720	-	SHROUD ASM, 32" LEFT SCRUBHEAD		
24	86244100	1	LABEL, AQUA-MIZER		

# Scrub Deck Lift Linkage - 26 IN Scrub Deck

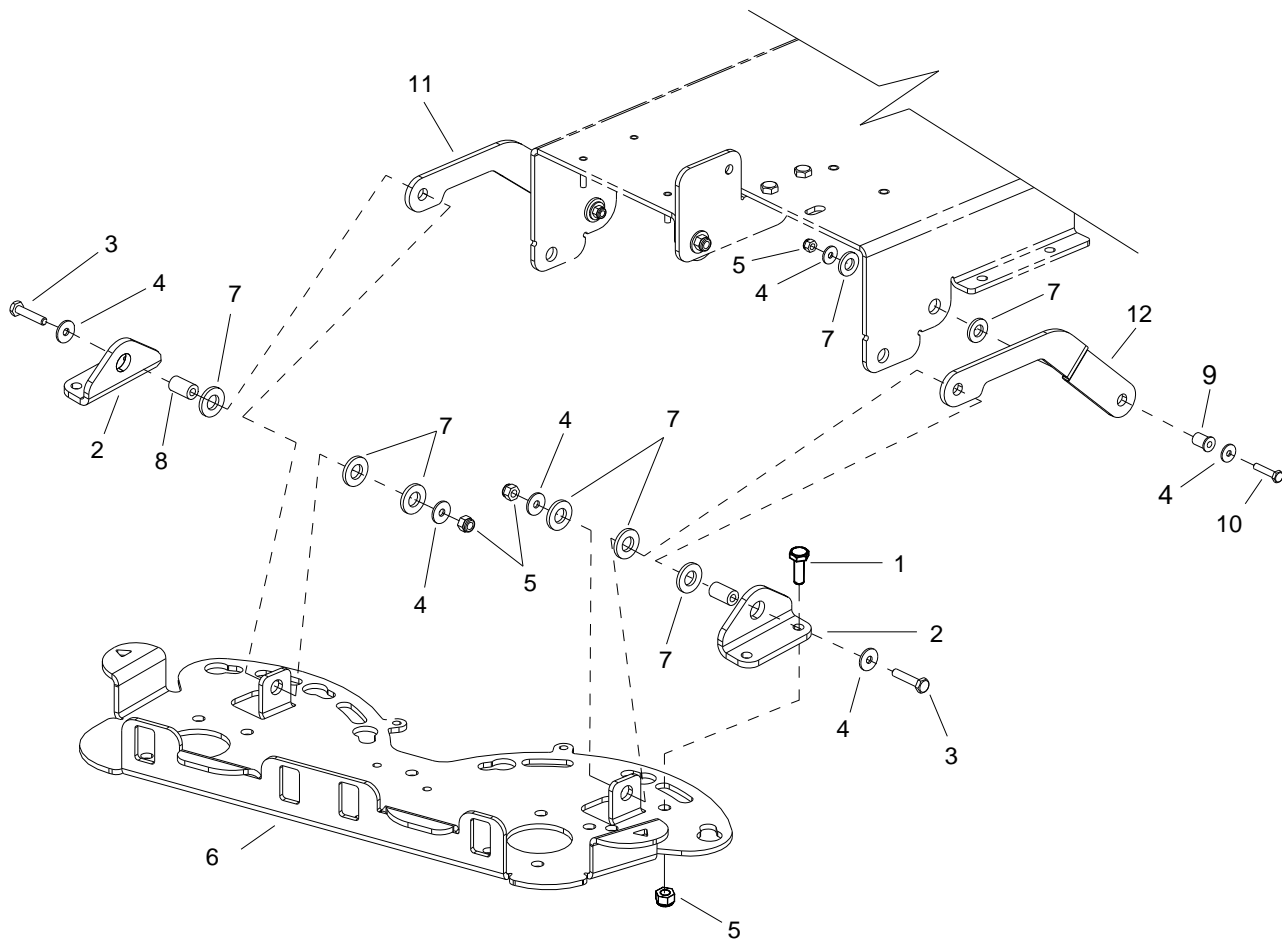




*Scrub Deck Lift Linkage - 26 IN Scrub Deck*

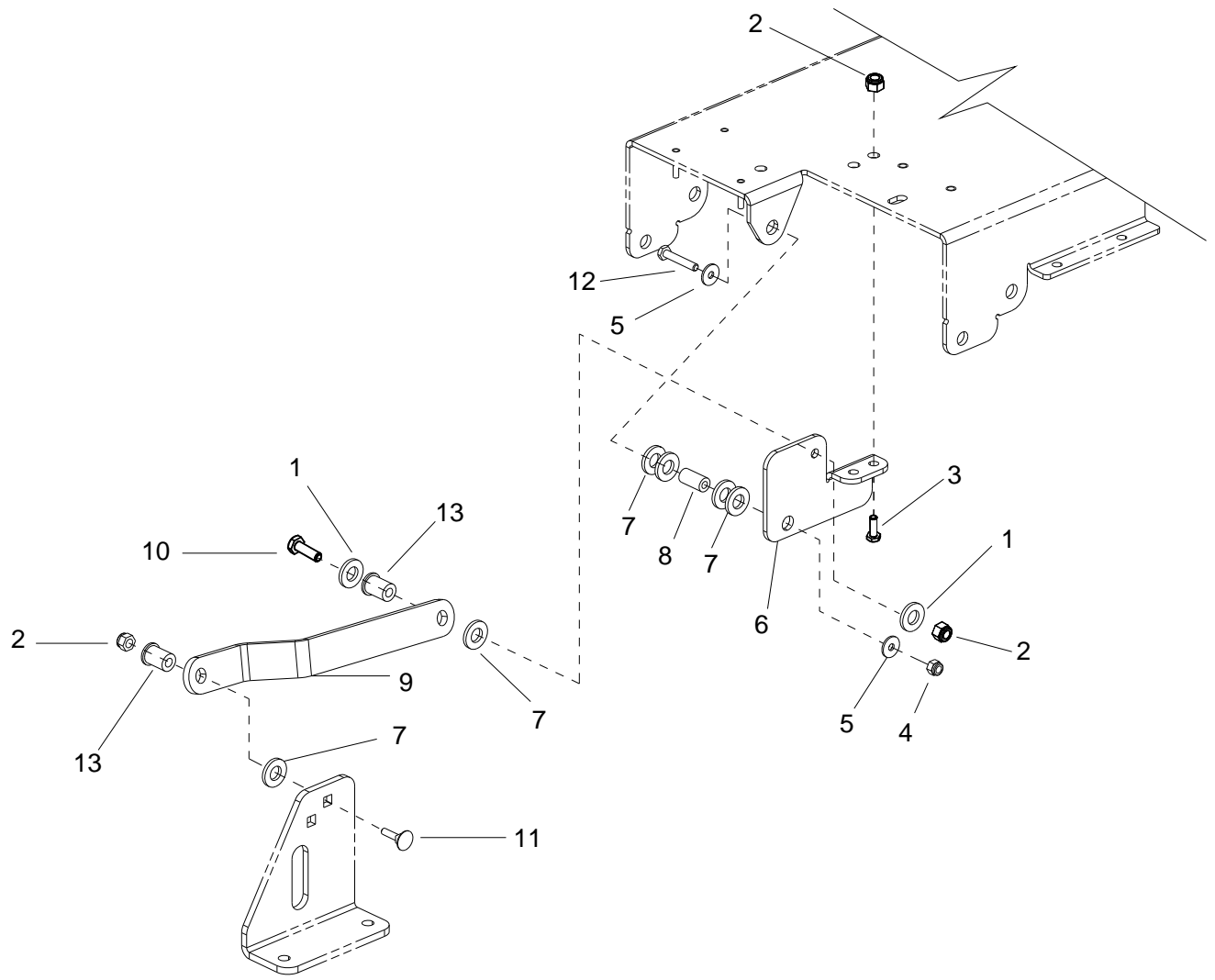
REF	PART NO.	QTY	DESCRIPTION	SERIAL NO. FROM	NOTES:
1	86273780	6	SCR, 1/4-20 X 3/4 HHCS SS NP		
2	86069910	1	BRACKET, ANGLE SUPPORT LEFT		
3	86273740	2	SCR, 1/4-20 X 1.5 HHCS SS		
4	86010630	8	WASHER, 1/4ID X 5/8OD SS		
5	86271870	10	NUT, 1/4-20 HEX NYLOCK THIN SS		
6	86069920	1	BRACKET, ANGLE SUPPORT RIGHT		
7	86259400	10	WASHER, THRUST .51ID X 1OD BRO		
8	86228920	2	BEARING, .252ID X .503OD X 1.0		
9	86228900	2	BEARING, FLANGED, .252ID X .503OD		
10	86273820	2	SCR, 1/4-20 X 1.25 HHCS SS		
11	86066770	1	BAR LINK LEFT		
12	86066720	1	BAR LINK, RIGHT		
13	86236650	1	FRAME, W24V SCRUB DECK		

# Scrub Deck Lift Linkage - 32 IN Scrub Deck

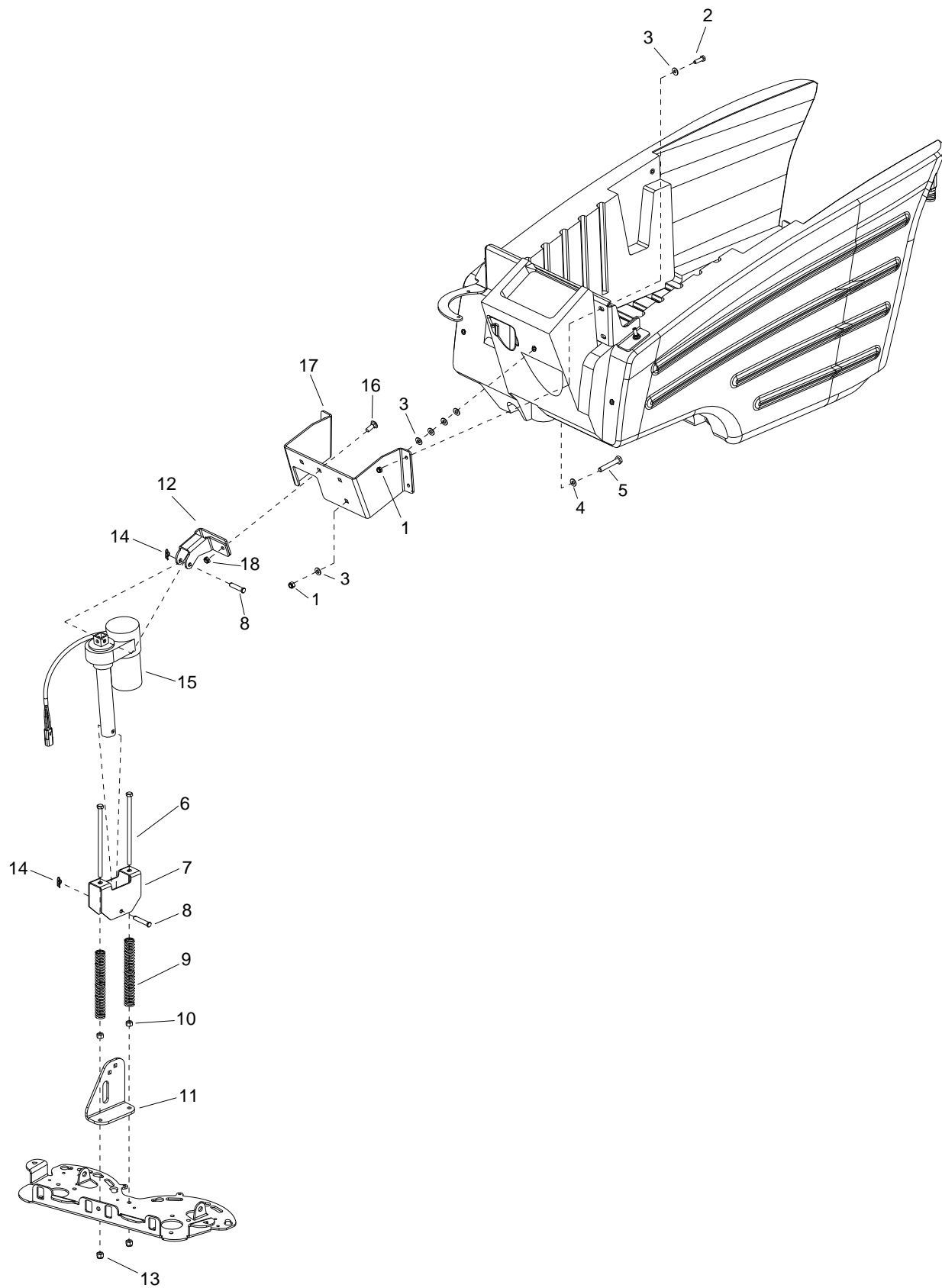


*Scrub Deck Lift Linkage - 32 IN Scrub Deck*

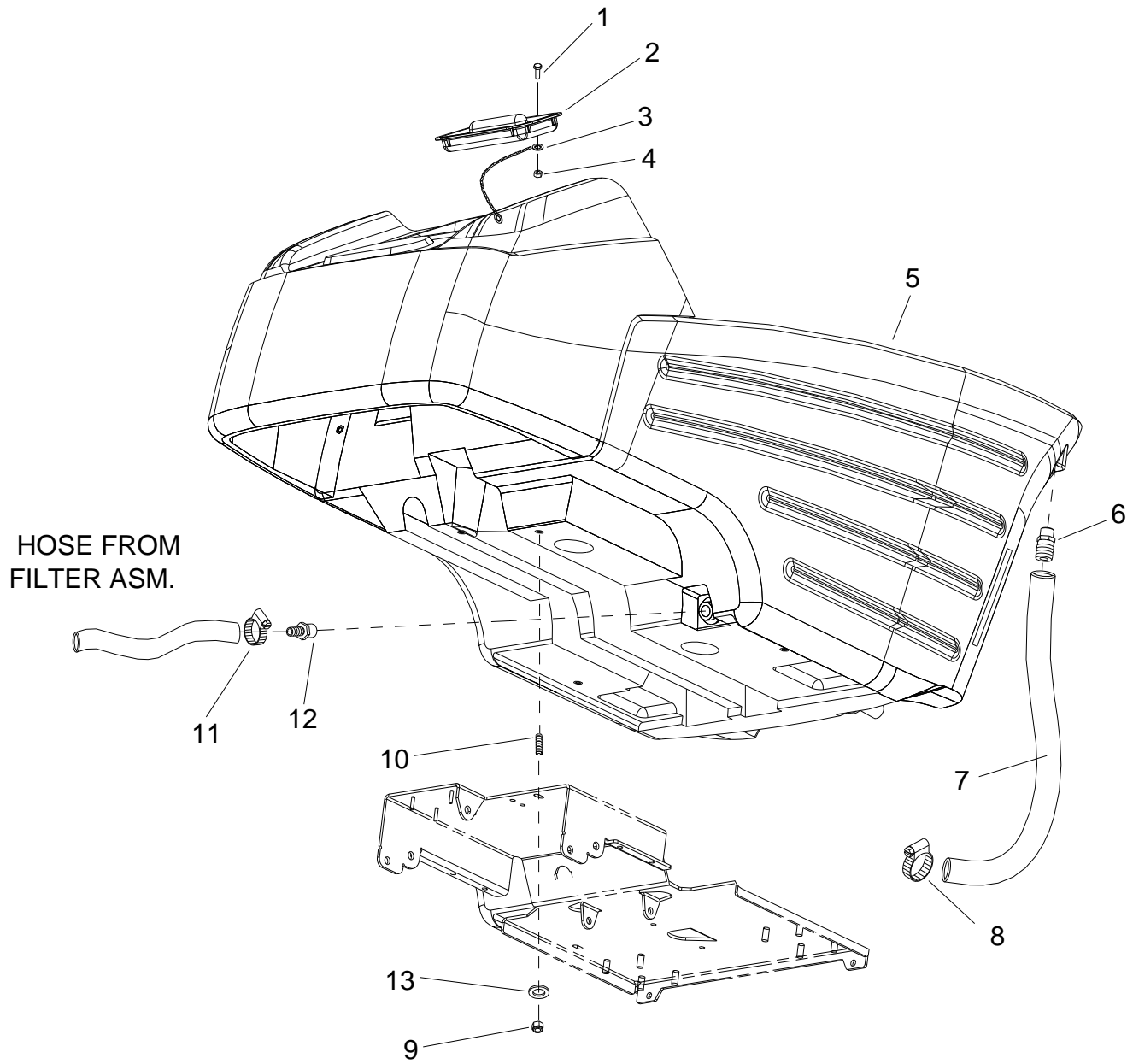
REF	PART NO.	QTY	DESCRIPTION	SERIAL NO. FROM	NOTES:
1	86273780	4	SCR, 1/4-20 X 3/4 HHCS SS NP		
2	86070030	2	BRACKET, ANGLE SUPPORT		
3	86273740	2	SCR, 1/4-20 X 1.5 HHCS SS		
4	86010630	8	WASHER, 1/4ID X 5/8OD SS		
5	86271870	8	NUT, 1/4-20 HEX NYLOCK THIN SS		
6	86236670	1	FRAME 36V, SCRUB DECK		
7	86259400	10	WASHER, THRUST .51ID X 1OD BRO		
8	86228920	2	BEARING, .252ID X .503OD X 1.0		
9	86228900	2	BEARING FLANGED, .252ID X .503OD		
10	86273820	2	SCR, 1/4-20 X 1.25 HHCS SS		
11	86066810	1	BAR, LINKAGE, LEFT		
12	86066870	1	BAR LINK, RIGHT		



REF	PART NO.	QTY	DESCRIPTION	SERIAL NO. FROM	NOTES:
1	86010670	2	WASHER, 5/16 FLAT SS		
2	86271840	4	NUT, 5/16-18 HEX NYLOCK THIN SS		
3	86276780	2	SCR, 5/16-18 X 3/4 HHCS SS		
4	86271870	3	NUT, 1/4-20 HEX NYLOCK THIN SS		
5	86010630	6	WASHER, 1/4ID X 5/8OD SS		
6	86069750	1	BRACKET, FRAME MOUNT		
7	86259400	10	WASHER, THRUST .51ID X 1OD BRO		
8	86228920	1	BEARING, .252ID X .503OD X 1.0		
9	86069760	1	BRACKET, CENTER LINK		
10	86007020	1	SCR, 5/16-18 X 1.25 HHCS SS		
11	86197150	1	SCR, 5/16 X 1.25 ELEV FLDG SA		
12	86273740	1	SCR, 1/4-20 X 1.5 HHCS SS		
13	86228840	2	BEARING, FLANGED .314ID X .502OD		

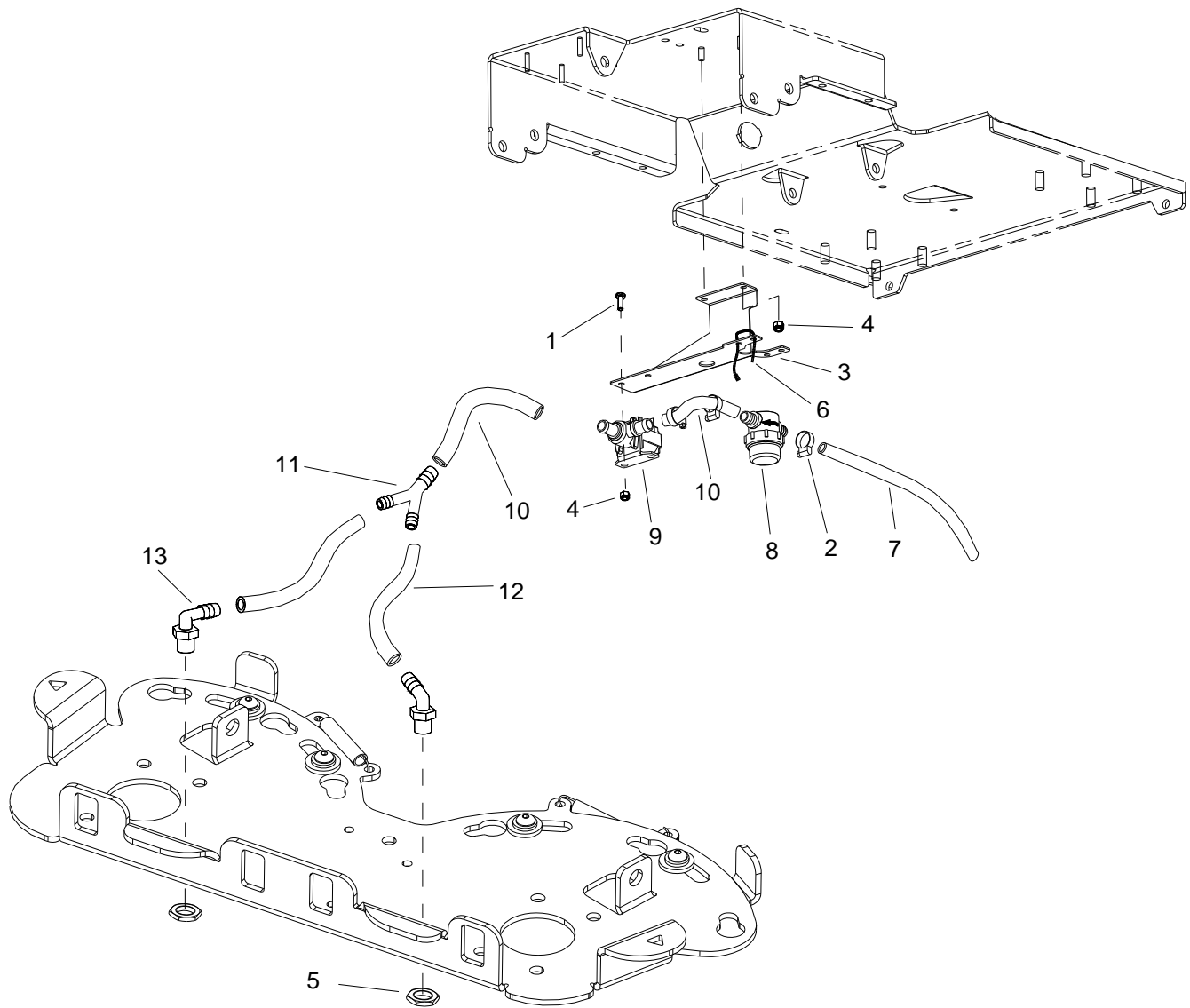


REF	PART NO.	QTY	DESCRIPTION	SERIAL NO. FROM	NOTES:
1	86271840	5	5/16-18 HEX NYLOCK THIN SS		
2	86006560	4	SCR, 5/16-18 X 1 HHCS SS NP		
3	86010670	9	WASHER, 5/16 FLAT SS		
4	86279650	1	WASHER, SEAL 5/16 X 3/4 OD SS		
5	86274720	1	SCR, 5/16-18 X 1.50 HHCS SS		
6	86277010	2	SCR, 3/8-16 X 7 HHCS SS		
7	86068130	1	BRACKET, ACTUATOR TUBE		
8	86248970	1	PIN, CLEVIS 3/8 X 2 PLTD		
9	86254910	2	SPRING, COMP .89OD X 6.13L		
10	86005730	2	NUT, 3/8-16 HEX		
11	86069770	1	BRACKET, DECK MOUNT		
12	86068170	1	BRACKET, ACTUATOR MOUNT		
13	86005630	7	NUT, 3/8-16 HEX NYLOCK THIN SS		
14	86008670	2	COTTER, 3/8" RING		
15	86011960	1	ACTUATOR, 24VDC 5.0 STRK		
16	86277280	2	SCR, 3/8-16 X 1.00 CARRIAGE SS		
17	86068160	1	BRACKET, TANK BRACE		
18	86005630	2	NUT, 3/8-16 HEX NYLOCK THIN SS		



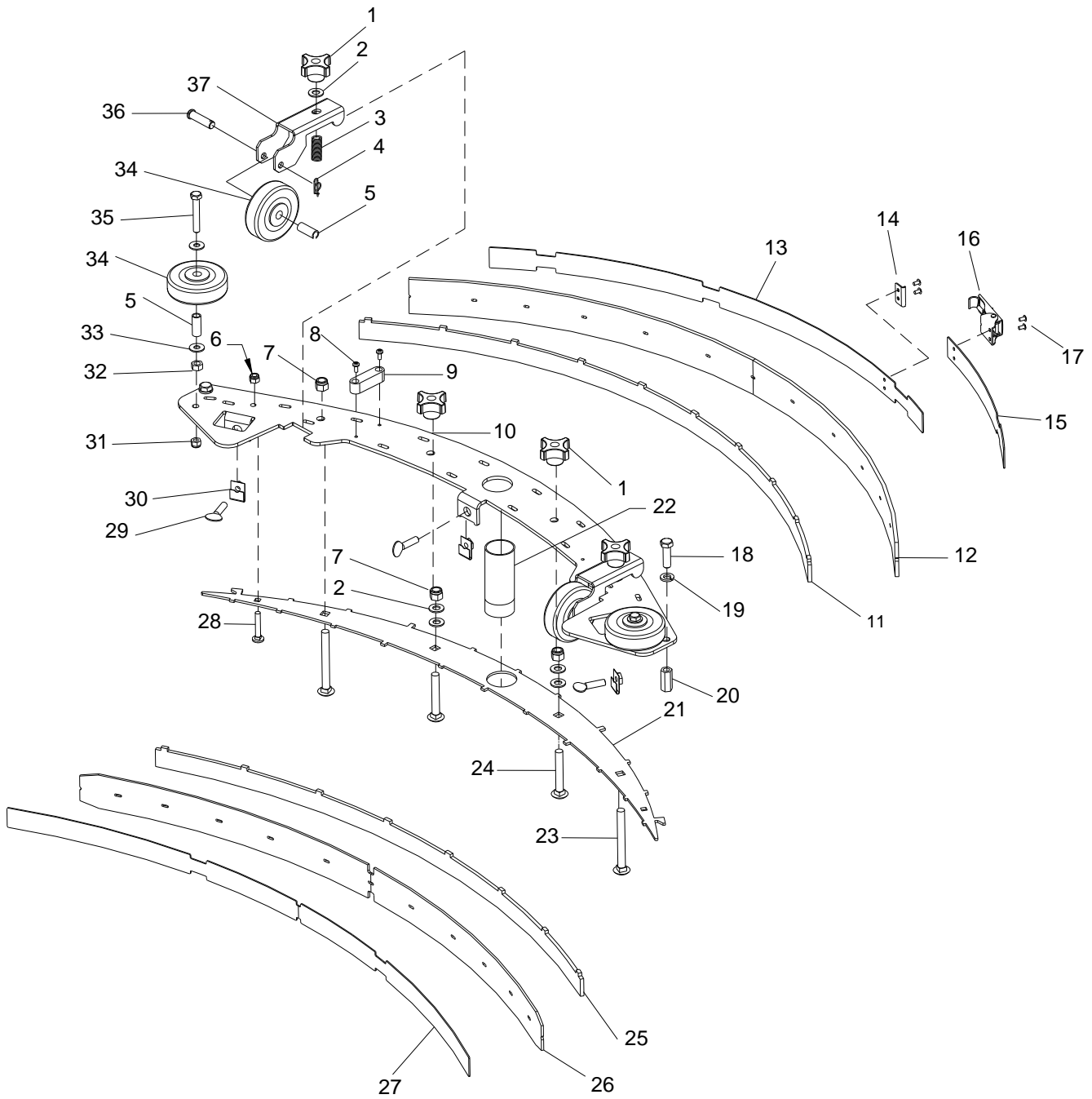


REF	PART NO.	QTY	DESCRIPTION	SERIAL NO. FROM	NOTES:
1	86273950	1	SCR, 6-32 X 1/2 PPHMS SS		
2	86234790	1	COVER CLP SOLUTION		
3	86246080	1	LANYARD, 18.0 W/ LOOP & EYE		
4	86014810	1	NUT, 6-32 ACORN SS		
5	86393010	1	TANK, SOLUTION, HD 24V, BLK		
6	86240460	1	HOSEBARB, 1/2 MPT X 1.0 HOSE		
7	86282050	1	HOSE, 1.0ID 1/8W X .12W CLR X 24.5"		
8	86233110	1	CLAMP, 1.0" WORM GEAR		
9	86271840	4	NUT, 5/16-18 HEX NYLOCK THIN SS		
10	86276380	4	SCR, 5/16-18 X 1.25 SSSCU		
11	86233150	1	CLAMP, 3/8 HOSE (D-SLOT)		
12	86197910	1	HOSEBARB, 1/2 MPT X 1/2 POLY DL		
13	86010670	4	WASHER, 5/19 FLAT SS		



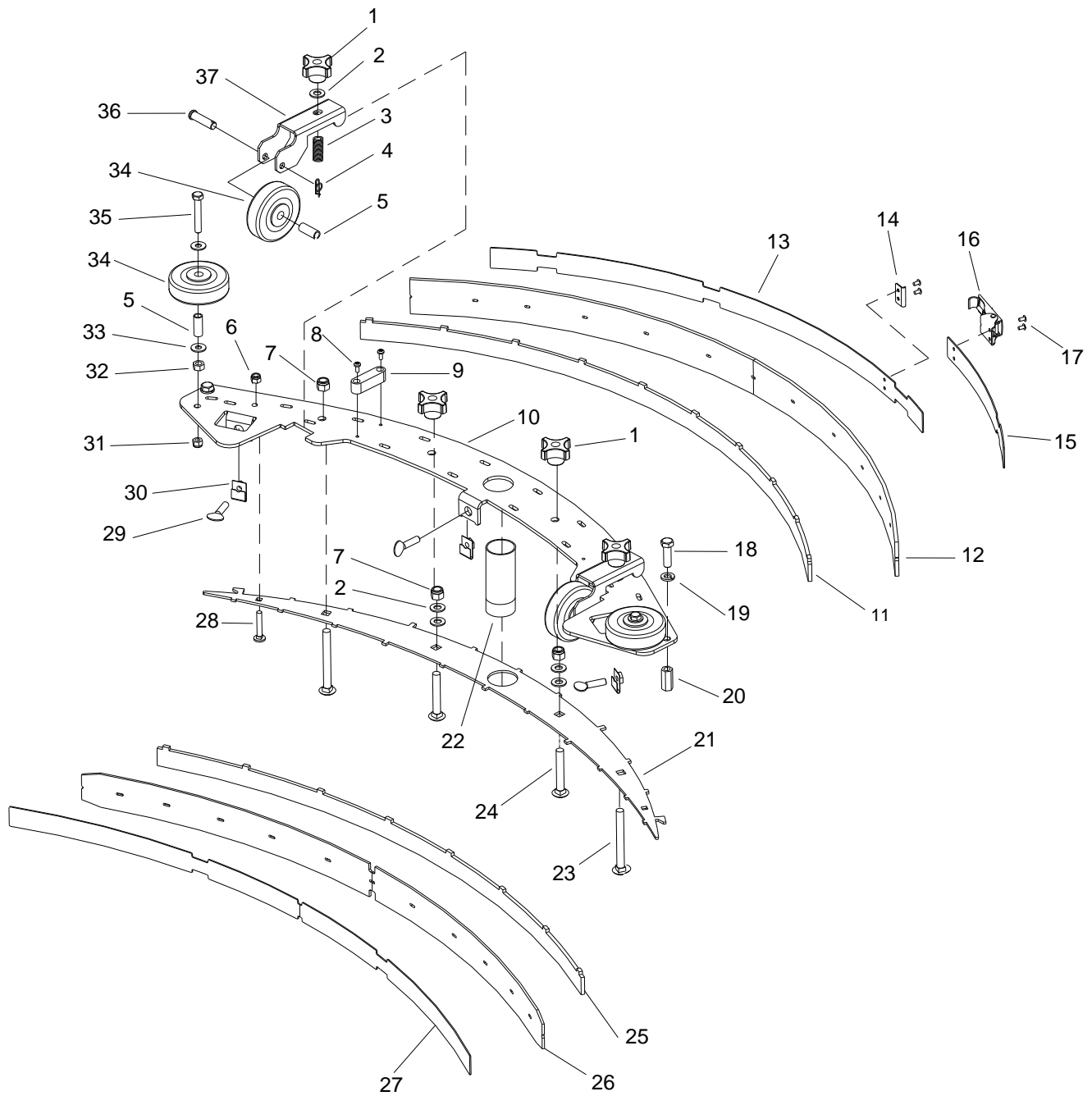
REF	PART NO.	QTY	DESCRIPTION	SERIAL NO. FROM	NOTES:
1	86273750	2	SCR, 1/4-20 X 5/8 HHCS SS NP		
2	86233150	3	CLAMP, 3/8 HOSE (D-SLOT)		
3	86069790	1	BRACKET, FILTER/SOLUTION MOUNT		
4	86271870	4	NUT, 1/4-20 HEX NYLOCK THIN SS		
5	86271830	2	NUT, 3/8 NPT PLASTIC		
6	86264940	4	CABLE TIE, 11.38" UL/CSA		
7	86282190	1	HOSE, 1/2" WIRE BOUND X 13"		
8	86007560	1	STRAINER, 1/2 HOSE 20 MESH		
9	86010540	1	VALVE, 24VDC SOL 1/2" HOSEBARB		
10	86281100	2	HOSE, 1/2 WIRE BOUND X 7"		
11	86003580	1	FITTING, 1/2" X 3/8" x 3/8" RED T		
12	86280820	2	HOSE, 3/8 NYLOBRD X 10"		
13	86001550	2	HOSEBARB, 3/8 MPT X 3/8 90 D		
-	86005870	1	O-RING, FILTER SEAL RON-VIK		
-	86007750	1	SCREEN, 20 MESH STRAINER		
-	86313160	-	CAP, STRAINER SHORT		
-	86003460	-	DIAPHRAGM SRVC PART SLND		
-	86136820	-	SOLENOID SPRING KIT		

# Squeegee - 26 IN Scrubhead



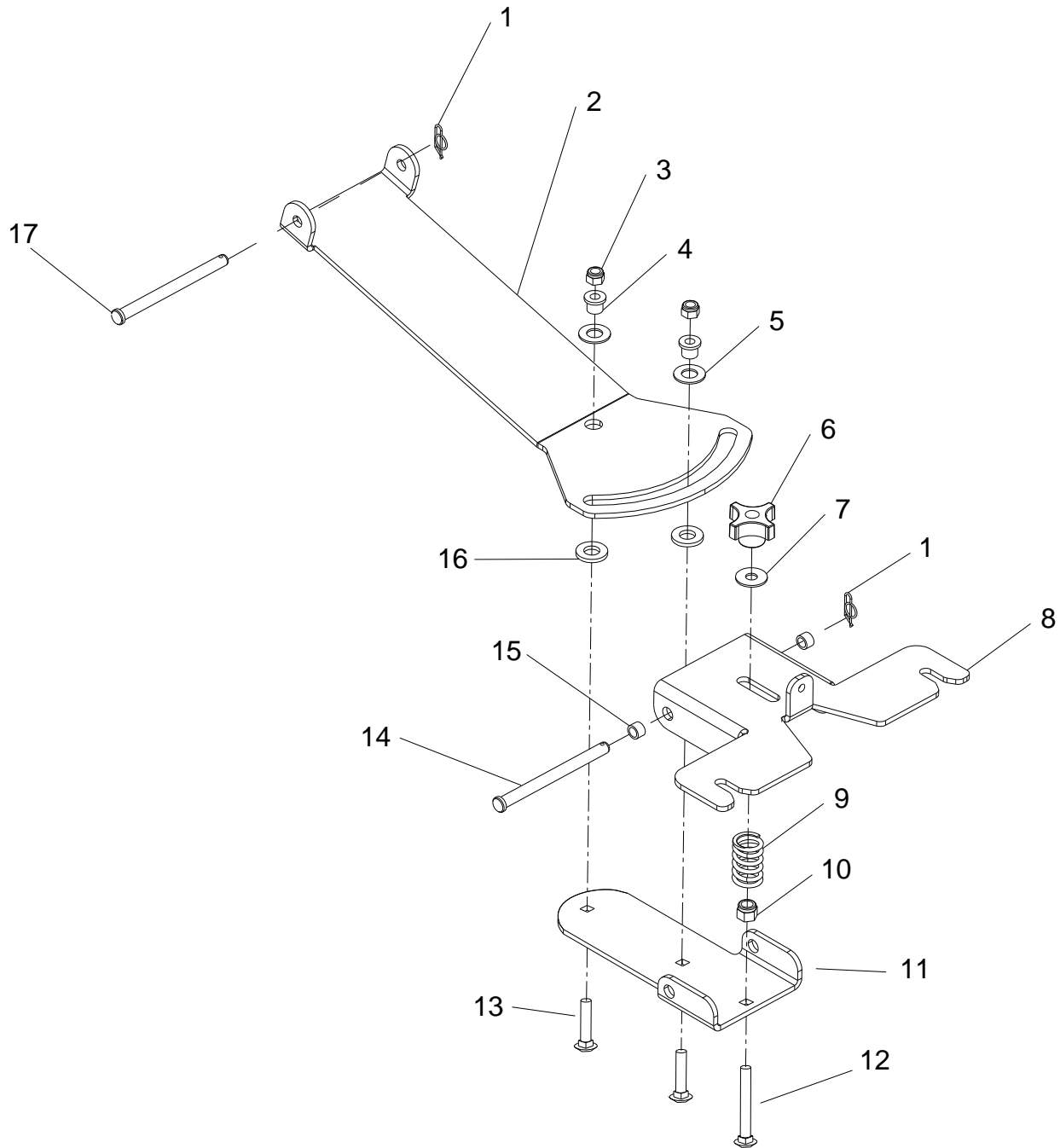
REF	PART NO.	QTY	DESCRIPTION	SERIAL NO. FROM	NOTES:
1	86009200	4	KNOB, 3/8-16 4 PRONG ALUM		
2	86010680	4	WASHER, 3/8ID X 3/4OD NYLON		
3	86007780	2	SPRING, COMP .60D X 2.0L X .045W		
4	86008660	2	COTTER, 5/16 RING		
5	86001350	4	BUSHING, SPANNER .435 X 1.10		
6	86271870	2	NUT, 1/4-20 HEX NYLOCK THIN SS		
7	86005630	4	NUT, 3/8-16 HEX NYLOCK THIN SS		
8	86274130	2	SCR, 8-32 X 3/8 PHTC 'F' PLTD		
9	86009910	1	VIAL, LEVEL		
10	86082420	1	PLATE, SQUEEGEE TOP 35"		
11	86082440	1	PLATE, REAR SQUEEGEE 35"		
12A	86007430	1	SQUEEGEE, REAR BLADE LINATEX		
12B	86137020	1	SQUEEGEE, REAR BLADE URETHANE		
13	86001340	1	BAND, REAR SQUEEGEE		
14	86009180	1	STRIKER, SQUEEGEE STRAP REAR		
15	86001330	1	BAND, REAR SQUEEGEE		
16	86009170	1	LATCH, SQUEEGEE STRAP		
17	86006400	4	RIVET, 5/32OD X 1/8 GRIP		
18	86276920	2	SCR, 3/8-16 X 1 HHCS SS NP		
19	86010790	2	WASHER, 3/8 SPLIT LOCK PLTD		
20	86005840	2	NUT, 3/8-16 HEX COUPLING SS		
21	86082450	1	PLATE, SQUEEGEE BOTTOM 35"		
22	86008390	1	TUBE ASM, SQUEEGEE VAC		
23	86276990	2	SCR, 3/8-16 X 3.5 CARRIAGE SS		
24	86276870	2	SCR, 3/8-16 X 2.5 CARRIAGE SS		
25	86082430	1	PLATE, SQUEEGEE FRONT 35"		
26A	86008020	1	BLADE, SQUEEGEE FRONT LINATEX 35"		
26B	86137030	1	SQUEEGEE, FRONT BLADE URETHANE		
27	86066370	1	BAND, SQUEEGEE FRONT		
28	86277000	2	SCR, 1/4-20 X 1.5 CARRIAGE SS		
29	86007040	3	SCR, 5/16-18 X 1 THUMB SS TYPE P		
30	86271820	3	NUT, 5/16-18 CAPTIVE "J" PLTD		
31	86271840	2	NUT, 5/16-18 HEX NYLOCK THIN SS		
32	86005650	2	NUT, 5/16-18 HEX		
33	86010670	4	WASHER, 5/16 SS		
34	86011020	4	WHEEL, 3" DIA. CUSHION RUBBER		
35	86276980	2	SCR, 5/16-18 X 2.00 HHCS SS		
36	86006270	2	PIN, CLEVIS 5/16 X 1.63 PLTD		
37	86069870	2	BRACKET, SQUEEGEE WHEEL		
38	86026530	-	SQUEEGEE ASM 26 IN SCRUBHEAD		COMPLETE ASM

# Squeegee - 32 IN Scrubhead



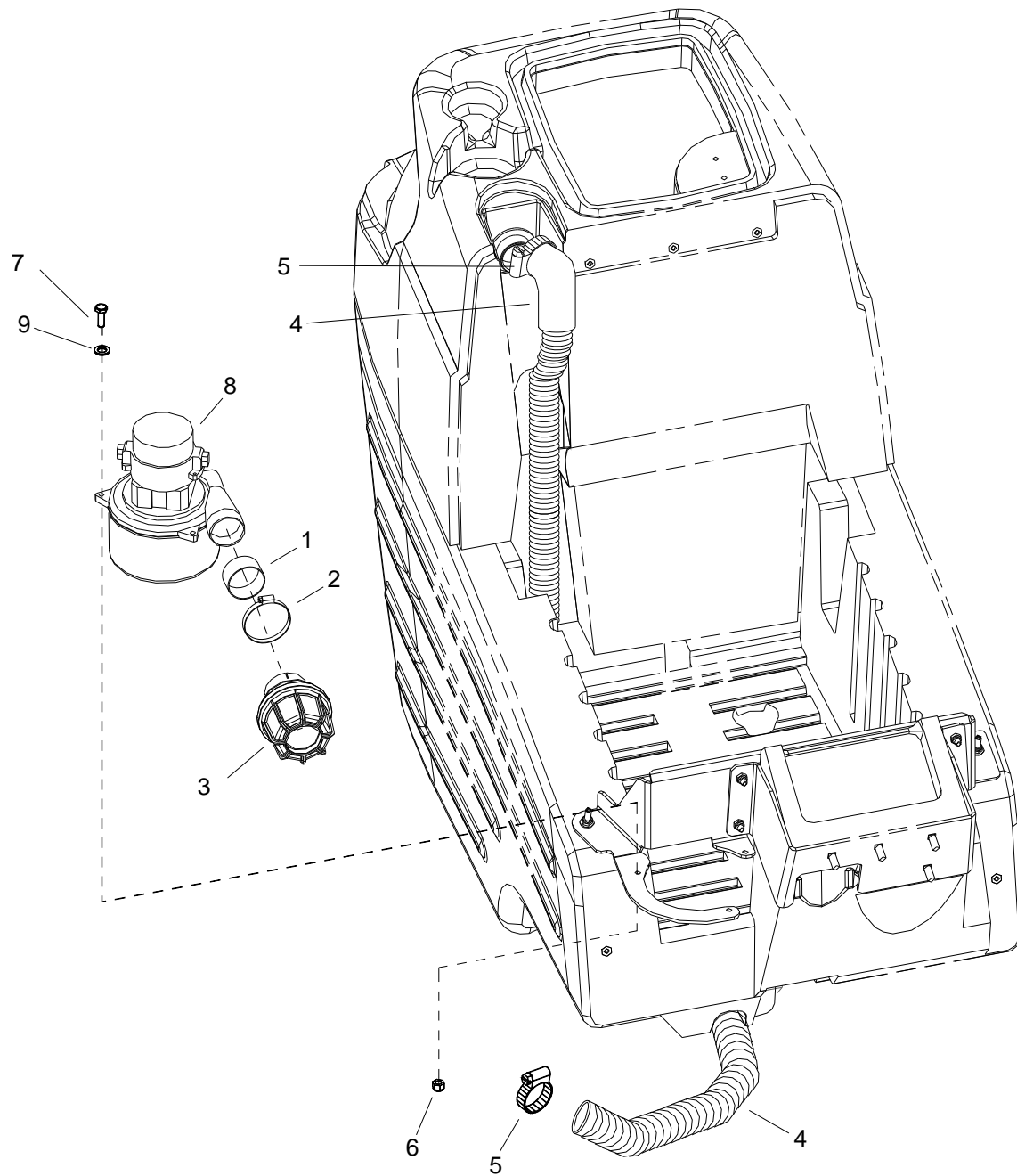
REF	PART NO.	QTY	DESCRIPTION	SERIAL NO. FROM	NOTES:
1	86009200	4	KNOB, 3/8-16 4 PRONG ALUM		
2	86010680	6	WASHER, 3/8ID X 3/4OD NYLON		
3	86007780	2	SPRING, COMP .60D X 2.0L X .045W		
4	86008660	2	COTTER, 5/16" RING		
5	86001350	4	BUSHING, SPANNER .435 X 1.10		
6	86271870	2	NUT, 1/4-20 HEX NYLOCK THIN SS		
7	86005630	4	NUT, 3/8-16 HEX NYLOCK THIN SS		
8	86274130	2	SCR, 8-32 X 3/8 PHTC 'F' PLTD		
9	86009910	1	VIAL, LEVEL		
10	86082460	1	PLATE, SQUEEGEE TOP 40"		
11	86082480	1	PLATE, SQG REAR 40"		
12A	86007490	1	SQUEEGEE, REAR BLADE LINATEX		
12B	86137040	1	SQUEEGEE, REAR BLADE URETHANE		
13	86066360	1	BAND, REAR SQUEEGEE		
14	86009180	1	STRIKER, SQUEEGEE STRAP REAR		
15	86001330	1	BAND, REAR SQUEEGEE		
16	86009170	1	LATCH, SQUEEGEE STRAP		
17	86006400	4	RIVET, 5/32OD X 1/8 GRIP		
18	86276920	2	SCR, 3/8-16 X 1 HHCS SS NP		
19	86010790	2	WASHER, 3/8 SPLIT LOCK PLTD		
20	86005840	2	NUT, 3/8-16 HEX COUPLING SS		
21	86082490	1	PLATE, SQUEEGEE BOTTOM 40"		
22	86008390	1	TUBE ASM, SQUEEGEE VAC		
23	86276990	2	SCR, 3/8-16 X 3.5 CARRIAGE SS		
24	86276870	2	SCR, 3/8-16 X 2.5 CARRIAGE SS		
25	86082470	1	PLATE, SQUEEGEE FRONT 40" SPACER		
26A	86009830	1	BLADE, SQUEEGEE FRONT LINATEX		
26B	86137050	1	SQUEEGEE, FRONT BLADE URETHANE		
27	86066350	1	STRAP, SQUEEGEE FRONT		
28	86277000	2	SCR, 1/4-20 X 1.5 CARRIAGE SS		
29	86007040	3	SCR, 5/16-18 X 1 THUMB SS TYPE P		
30	86271820	3	NUT, 5/16-18 CAPTIVE "J" PLTD		
31	86271840	2	NUT, 5/16-18 HEX NYLOCK THIN SS		
32	86005650	2	NUT, 5/16-18 HEX		
33	86010670	4	WASHER, 5/16 FLAT SS		
34	86011020	4	WHEEL, 3" DIA. CUSHION RUBBER		
35	86276980	2	SCR, 5/16-18 X 2.00 HHCS SS		
36	86006270	2	PIN, CLEVIS 5/16 X 1.63 PLTD		
37	86069870	2	BRACKET, SQUEEGEE WHEEL		
38	86026540	-	SQUEEGEE ASM 32" SCRUBHEAD		COMPLETE ASM

# Squeegee Lift Linkage (Lower)

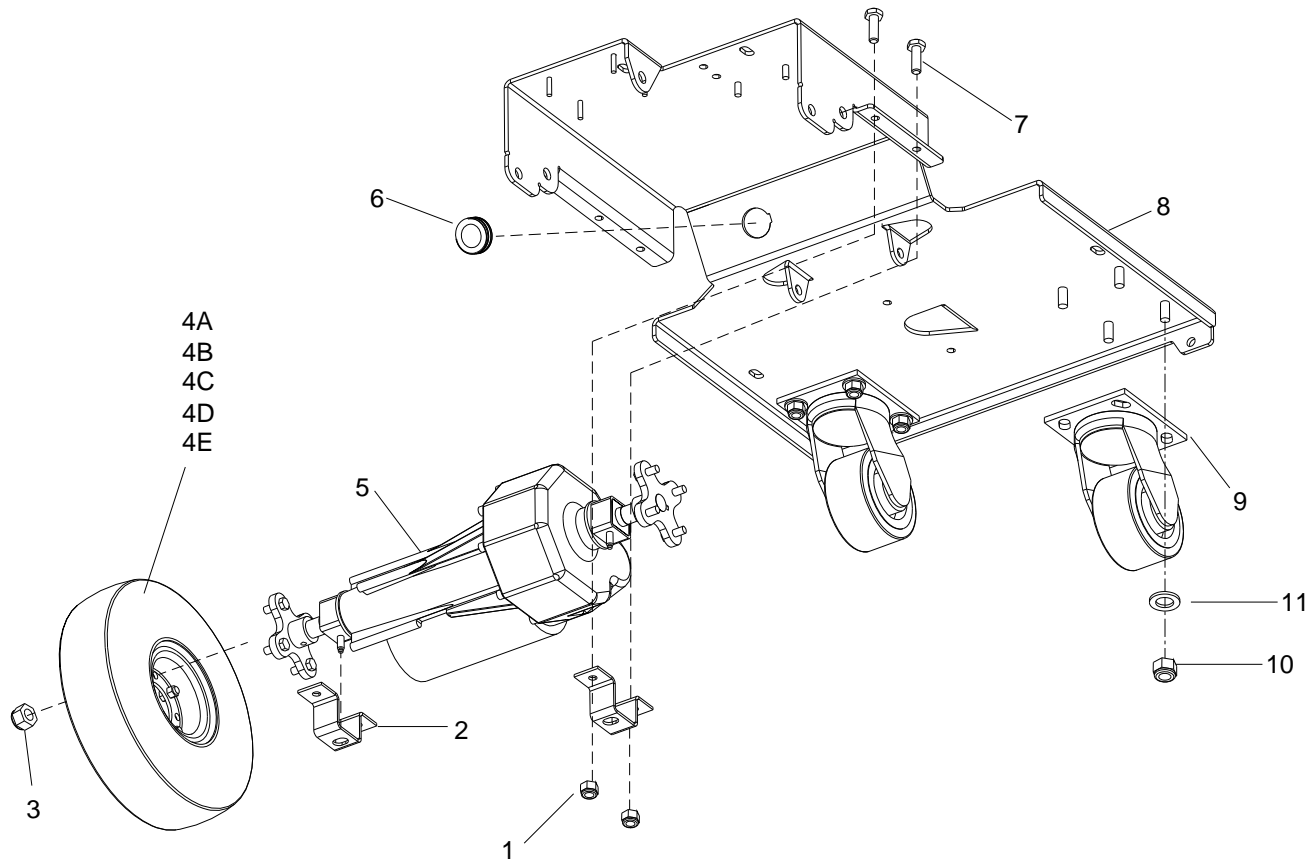




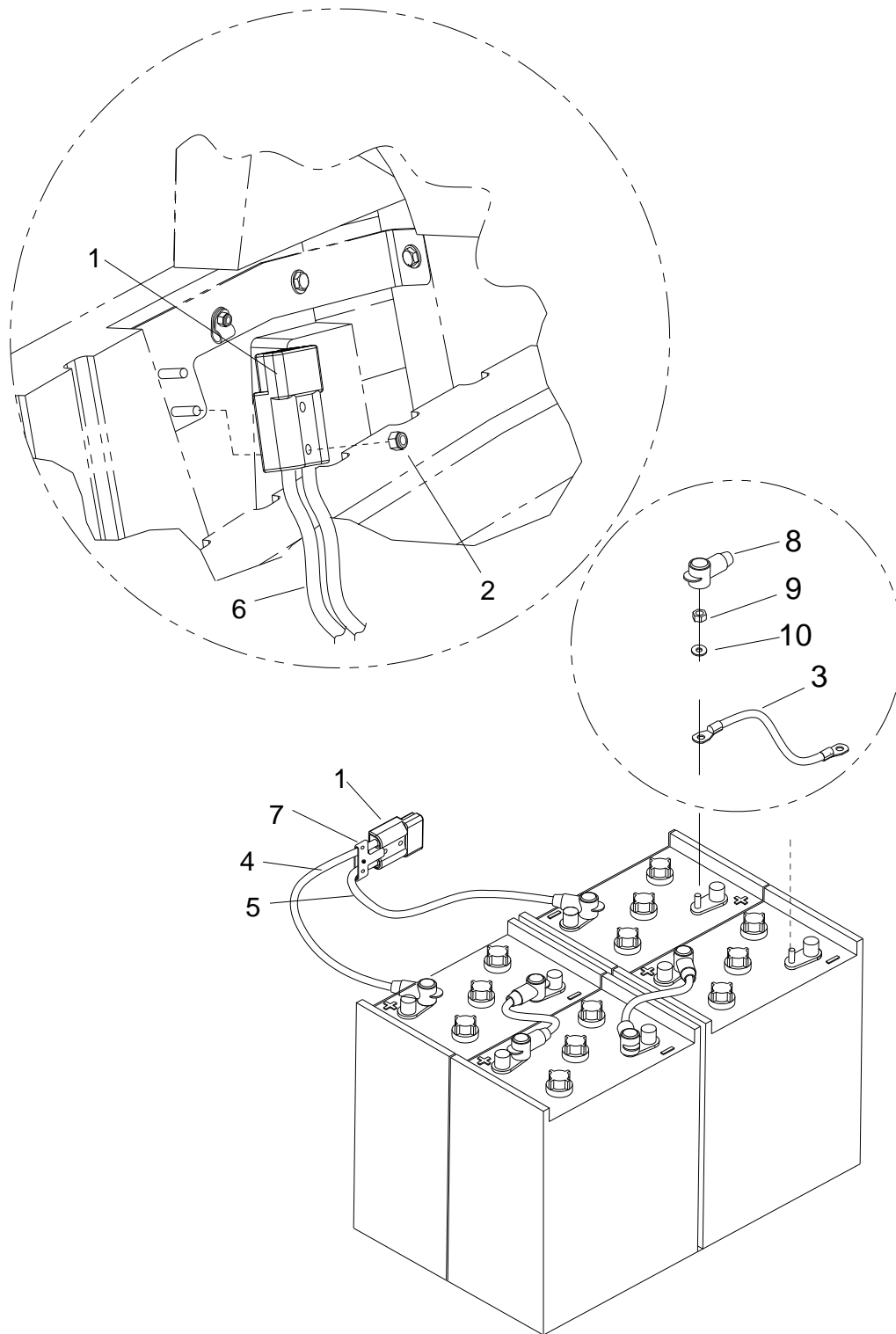
REF	PART NO.	QTY	DESCRIPTION	SERIAL NO. FROM	NOTES:
1	86008670	2	COTTER, 3/8" RING		
2	86069450	1	BRACKET, SQG PIVOT LIFT		
3	86271840	2	NUT, 5/16-18 HEX NYLOCK THIN SS		
4	86228840	2	BEARING, FLANGED .314ID X .502OD		
5	86259420	2	WASHER, THRUST .51ID X 1ODBRO		
6	86009200	1	KNOB, 3/8-16 4 PRONG ALUM		
7	86279510	1	WASHER, 3/8 FLAT		
8	86082150	1	PLATE, SQUEEGEE MOUNT		
9	86007270	1	SPRING, COMP 1.10OD X 2.0L X .148W		
10	86005630	1	NUT, 3/8-16 HEX NYLOCK THIN SS		
11	86072530	1	BRACKET, CAMBER PIVOT		
12	86276870	1	SCR, 3/8-16 X 2.50 CARRIAGE SS		
13	86277130	2	SCR, 5-16-18 X 1.00 CARRIAGE SS		
14	86249060	1	PIN, CLEVIS 3/8 X 4.63 PLTD		
15	86008870	2	BEARING, FLANGED 3/8" ID X 11/16"		
16	86259400	2	WASHER, THRUST .51ID X 1OD BRO		
17	86008860	1	PIN, CLEVIS 3/8" X 5.5" PLTD		



REF	PART NO.	QTY	DESCRIPTION	SERIAL NO. FROM	NOTES:
1	86091170	1	TUBE, 2.0 OD X .05W X 1.0L		
2	86233430	1	CLAMP, 2.50 WORM GEAR		
3	86064910	1	MUFFLER, VAC MOTOR		
4	86001620	1	HOSE ASM, 1.5 BLK VAC X 67		
5	86002400	2	CLAMP, 2.0" WORM GEAR X .312W		
6	86271870	3	NUT, 1/4-20 HEX NYLOCK THIN SS		
7	86273810	3	SCR, 1/4-20 X 1 HHCS SS		
8	86005460	1	VAC MOTOR ASM, 24VDC 3 STAGE		
9	86010630	3	WASHER, 1/4ID X 5/8OD SS		
-	86135310	-	BRUSH SET, 24V/36V VAC WINDSOR		



REF	PART NO.	QTY	DESCRIPTION	SERIAL NO. FROM	NOTES:
1	86271840	4	NUT, 5/16-18 HEX NYLOCK THIN SS		
2	86230330	2	BRACKET, TRANSAXLE MOUNT		
3	86271860	8	NUT, 5/16-24 HEX NYLOCK SS		
4A	86011050	2	WHEEL ASM, 10" FMFL BLK KNOBBY		
4B	86011040	-	WHEEL ASM, 10" FMFL N-MARKING		OPTIONAL
4C	86137420	-	WHEEL ASM, 10" SOLID SPCL SCBR		OPTIONAL
4D	86354660	-	WHEEL, 10" BLK KNOBBY POLY FILL		OPTIONAL
4E	86354670	-	WHEEL, 10" N-MRKNG POLY FILL		OPTIONAL
5	86000800	1	AXLE MOTOR DRIVE, 24VDC		
-	86216150	-	BRUSH SET, 24V TRANSAXLE		
-	86004660	-	HUB KIT, 05128 TRANSAXLE		
-	86241840	-	KEY, WOODRUFF .75ID HUB		
6	86238430	1	GROMMET, 1.00ID 3/16 GRIP		
7	86006560	4	SCR, 5/16-18 X 1 HHCS SS NP		
8	86092580	1	FRAME, MAIN 24V		
9	86002310	2	CASTER, 4 DIA X 2 W X 3.56R		
10	86005630	8	NUT, 3/8-16 HEX NYLOCK THIN SS		
11	86278910	8	WASHER, 3/8 ID X 7/8 OD SS		

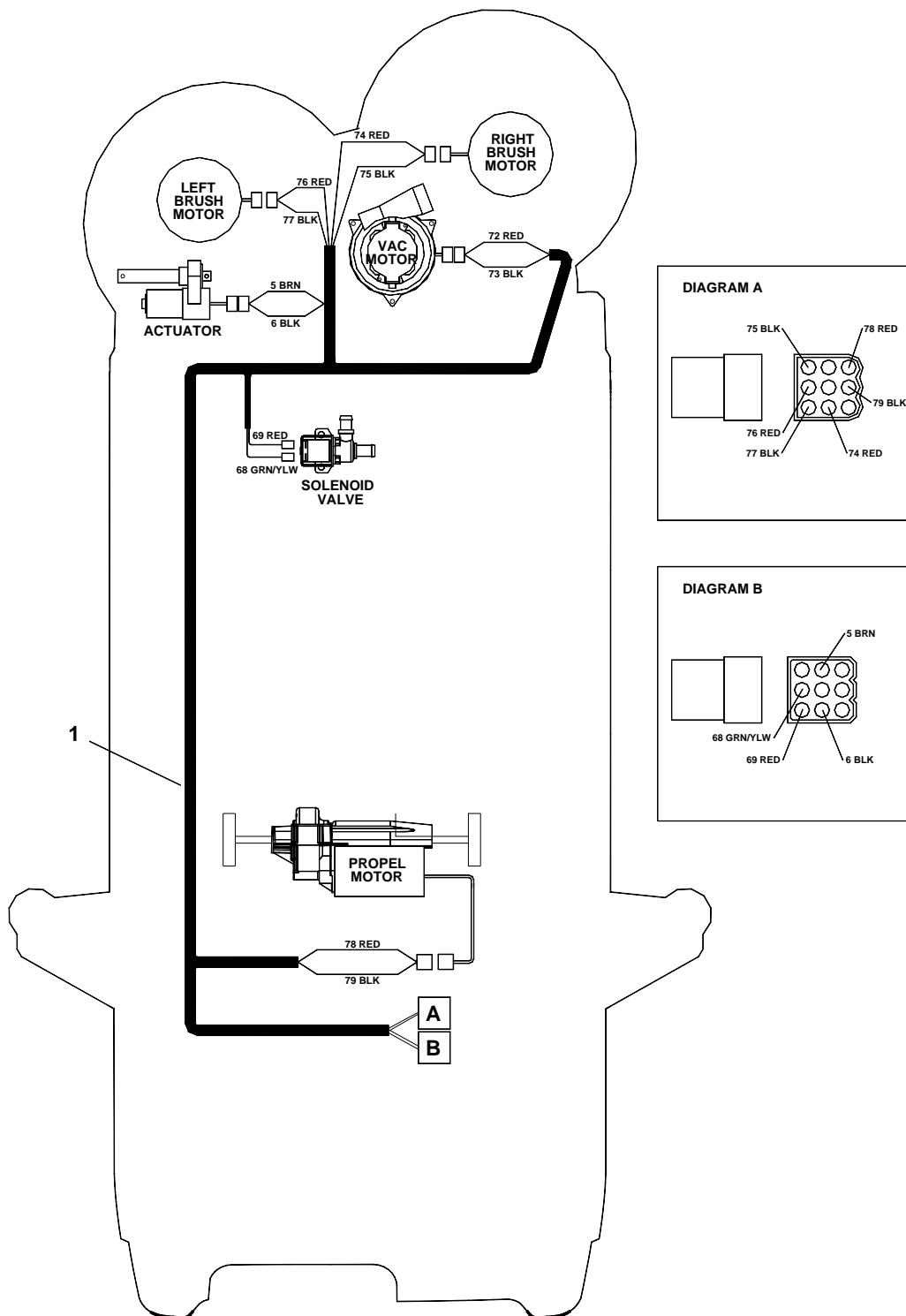


REF	PART NO.	QTY	DESCRIPTION	SERIAL NO. FROM	NOTES:
1	86010120	1	CONNECTOR 175 DCA, RED W/O TERMS		
2	86271870	2	NUT, 1/4-20 HEX NYLOCK THIN SS		
3	86009000	3	WIRE 4X9.5 BK 5/16 RING X 5/16 RING		
4	86010860	1	WIRE, 4X20 BK CTERM X 5/16 RING		
5	86010850	1	WIRE, 4X20 RD CTERM X 5/16 RING		
6	86260520	2	WIRE, 4X67 BK C. TERM 5/16 RING		
7	86233360	1	CLAMP, CABLE KIT SY945		
8	86008920	8	BOOT, RUBBER TERM. ISOLATOR		
9	86271910	8	NUT, 5/16-18 FLEXLOCK		
10	86010670	8	WASHER 5/16 FLAT SS		
-	86002510	3	CABLE ASM, BAT. JUMPER X 15"		NOT SHOWN
-	86002570	1	WIRE, 4 X 27 RD B CLAMP X C TERM		NOT SHOWN
-	86002580	1	WIRE, 4 X 27 BK B CLAMP X C TERM		NOT SHOWN

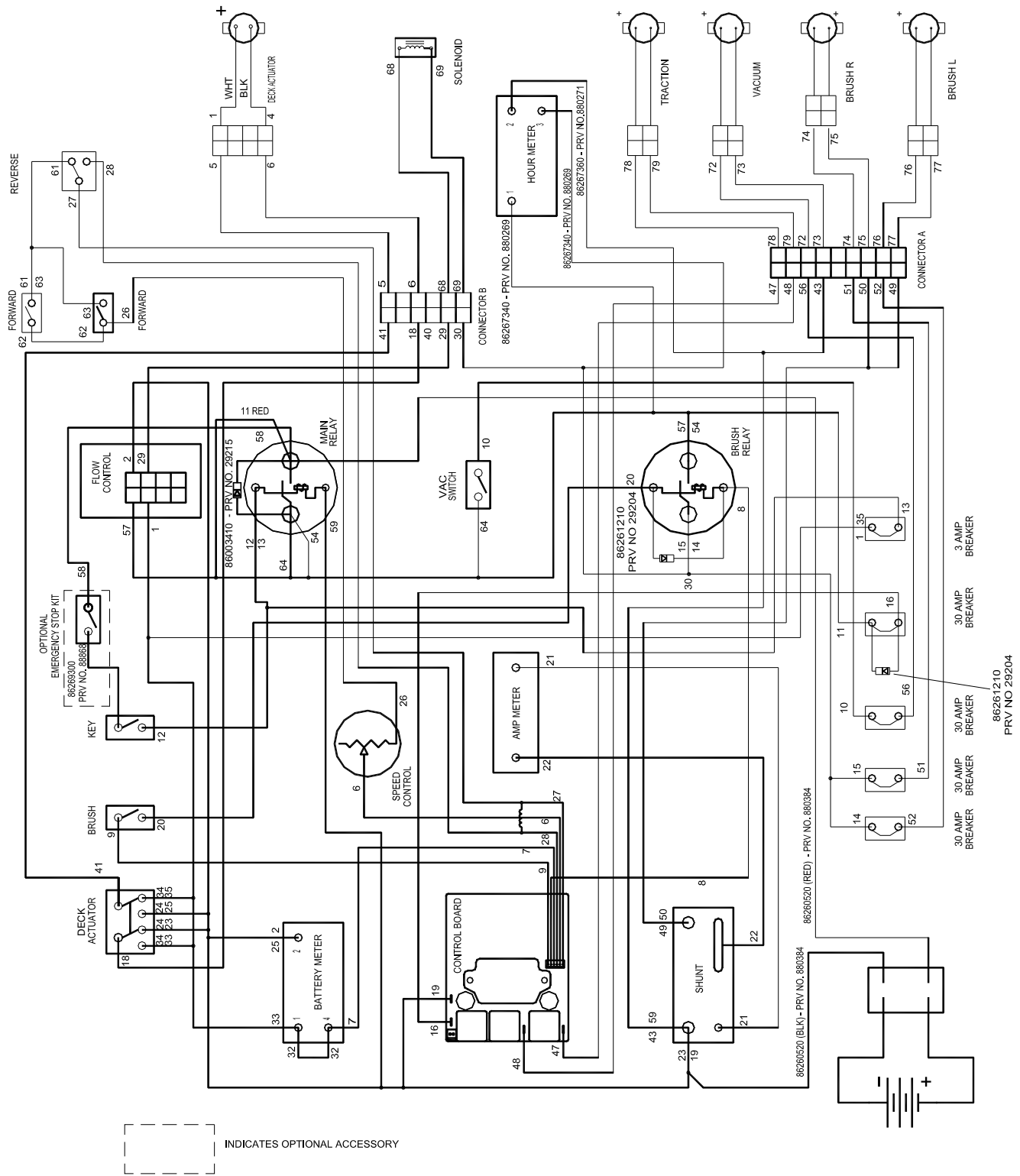




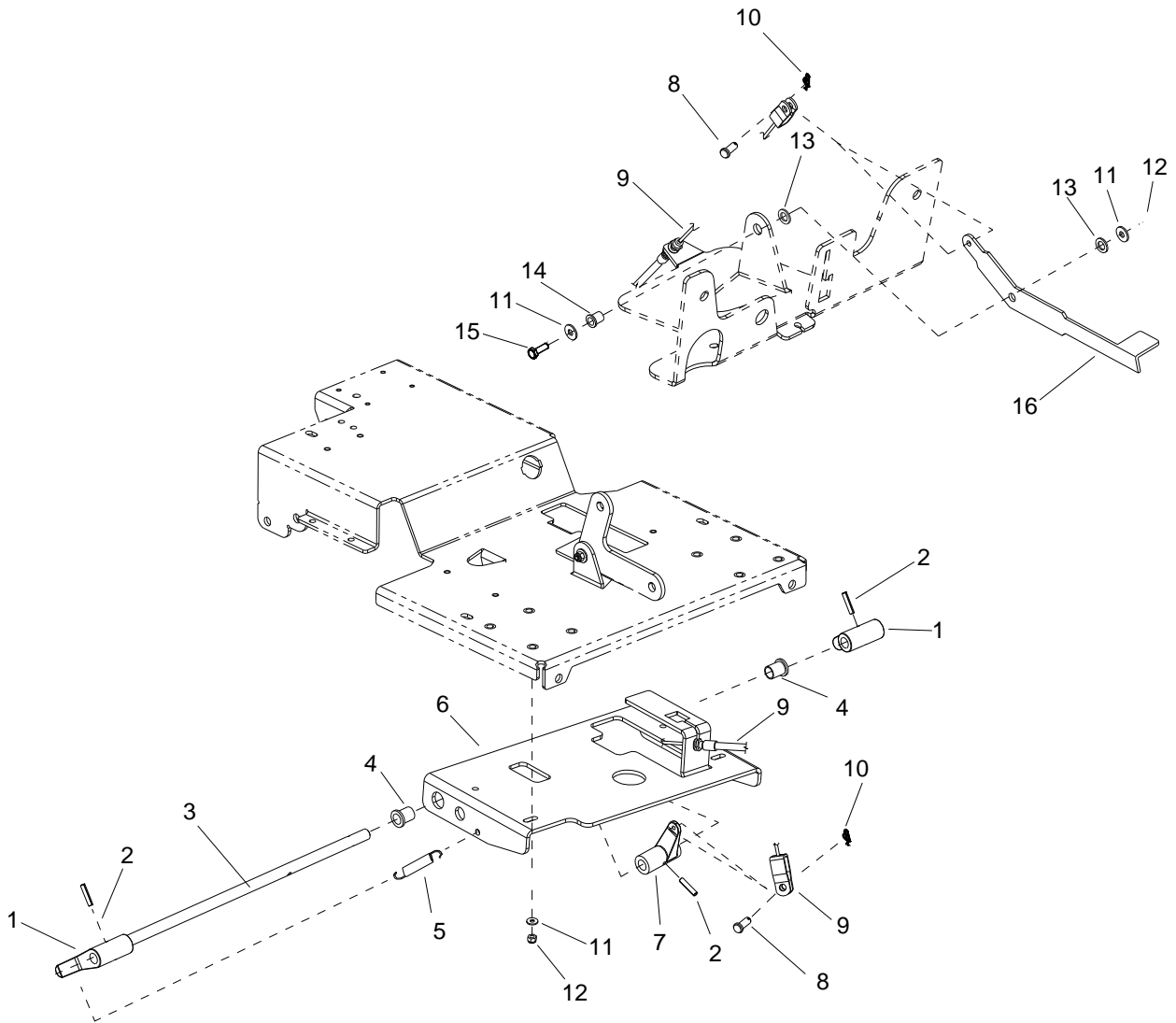
REF	PART NO.	QTY	DESCRIPTION	SERIAL NO. FROM	NOTES:
1	86239000	1	HARNESS, PANEL BASIC		
2	86261210	2	DIODE ASM, 76008 X 76008		
3	86003410	1	DIODE ASM, 76075 X 76075		
4	86267340	2	WIRE, 22" RED/18 76040 X 76075		
5	86269300	1	WIRE, 16" RED/18 STRIP X STRIP		
6	86267360	1	WIRE, 14" BLK/18 76011 X 76040		



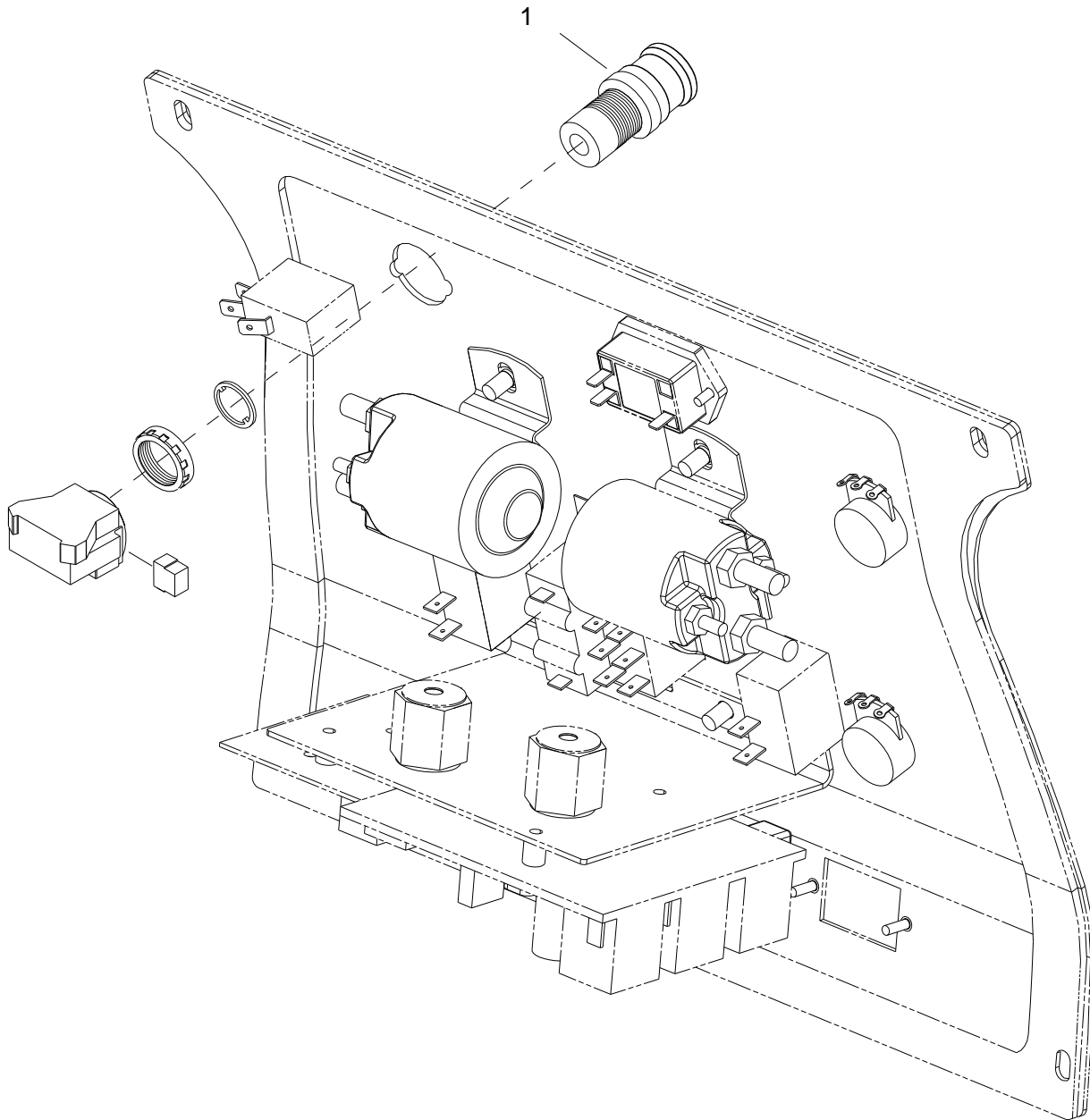
REF	PART NO.	QTY	DESCRIPTION	SERIAL NO. FROM	NOTES:
1	86238980	1	HARNESS, MAIN		







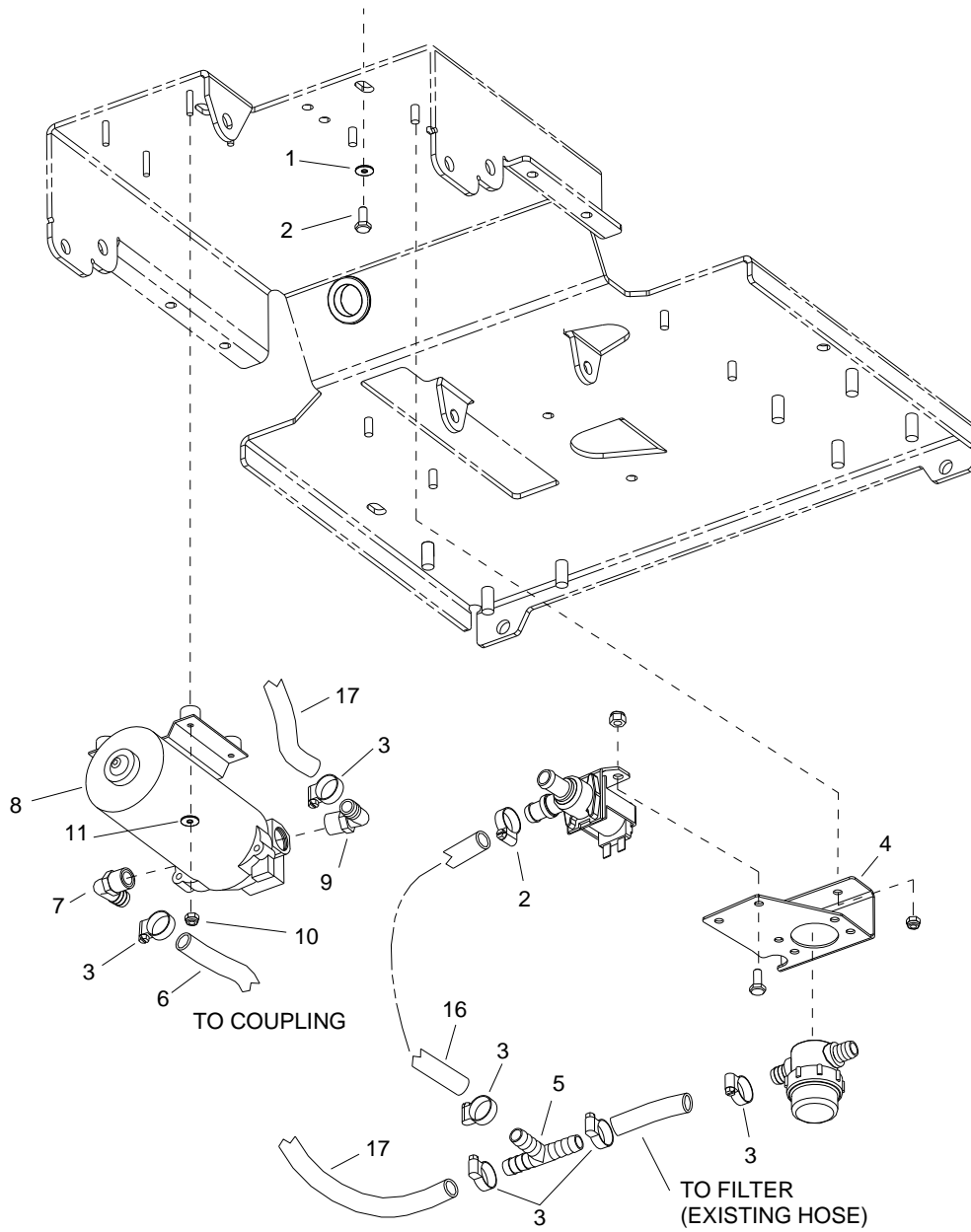
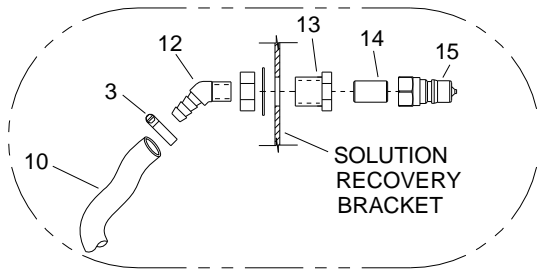
REF	PART NO.	QTY	DESCRIPTION	SERIAL NO. FROM	NOTES:
1	86248370	2	PAD, BRAKE		
2	86006220	3	PIN, ROLL 1/4 X 1.25L		
3	86252070	1	ROD, BRAKE 24V		
4	86231330	2	BUSH, BRZ FLG .63 X .75 X 1.0		
5	86255060	2	SPRING, EXT .43D X 2.50 L X .047 W		
6	86070070	1	BRKT, LOWER BRAKE MOUNT 24V		
7	86234850	1	CRANK, BRAKE		
8	86272610	2	PIN, CLEVIS 5/16" X .75" L PLTD		
9	86231820	1	CABLE, PARK BRAKE		
10	86008660	2	COTTER, 5/16" RING		
11	86010630	6	WASHER, 1/4 ID X 5/8 OD SS		
12	86271870	5	NUT, 1/4-20 HEX NYLOCK THIN SS		
13	86259400	1	WASHER, THRUST .51 ID X 1 OD BRO		
14	86228900	1	BEARING, FLANGED .252ID X .503OD		
15	86273820	1	SCR, 1/4-20 X 1.25 HHCS SS		
16	86077280	2	LEVER, BRAKE		





<b>REF</b>	<b>PART NO.</b>	<b>QTY</b>	<b>DESCRIPTION</b>	<b>SERIAL NO. FROM</b>	<b>NOTES:</b>
1	86007180	1	SWITCH, EMERGENCY STOP		
2	86269300	1	WIRE, 16" RED/18 STRIP X STRIP		NOT SHOWN

# Accessory Pump - Optional



REF	PART NO.	QTY	DESCRIPTION	SERIAL NO. FROM	NOTES:
1	86010670	1	WASHER, 5/16 FLAT SS		
2	86276780	1	SCR, 5/16-18 X 3/4 HHCS SS		
3	86233150	6	CLAMP, 3/8 HOSE (D-SLOT)		
4	86070140	1	BRKT, FILTER/SOLENOID MOUNT		
5	86240410	1	HOSEBARB, 1/2 TEE		
6	86282200	1	HOSE 3/8 ID X 40" WIRE BOUND		
7	86001550	1	HOSEBARB, 3/8MPT X 3/8 90D		
8	86026370	1	PUMP ASM, 24V ACCESSORY		
9	86197940	1	HOSEBARB, 3/8MPT X 1/2 90 D DL		
10	86270990	4	NUT, 10-32 HEX NYLOCK SS		
11	86010650	4	WASHER, #10 X 9/16 OD		
12	86197620	1	HOSEBARB, 1/4MPT X 3/8 45D DL		
13	86002470	1	COUPLING, 1/4 ANCHOR W/1" HEX		
14	86005590	1	NIPPLE, 1/4 CLOSE		
15	86005580	1	NIPPLE, 1/4 FPT QD		
16	86282110	1	HOSE, 1/2" WIREBOUND X 5.5		
17	86280750	1	HOSE, 1/2 WIREBOUND X 21"		
-	86239020	1	HARNESS PUMP KIT ADAPTER		NOT SHOWN
-	86264940	3	CABLE TIE, 11.38" UL/CSA		NOT SHOWN

*Serial Number*

---

REF. NO.	MODEL: SERIAL #
1	N/A

