

RECOVER 18

Wet Dry Vacuum



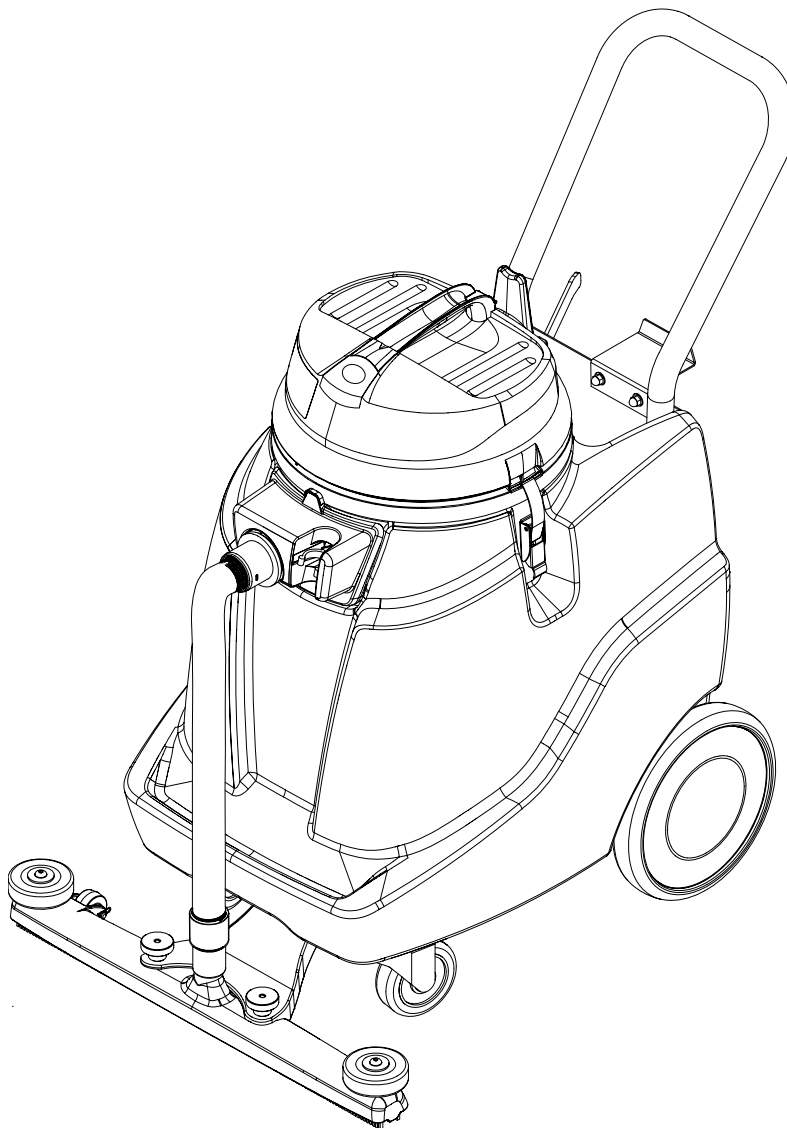
MODELS:

1.013-017.0
W / SQUEEGEE, HOSE AND WAND

1.103-022.0
W / SQUEEGEE HOSE AND WAND

1.103-492.0
W / SQUEEGEE ONLY

1.013-019.0
W / HOSE AND WAND ONLY



Operating Instructions (ENG)	2
Instrucciones de uso (ESP)	19



MACHINE DATA LOG/OVERVIEW

Model: _____

Date of Purchase: _____

Serial Number: _____

Sales Representative: _____

Address: _____

Phone Number: _____

OVERVIEW

This machine is a commercial vacuum designed for wet and dry pick-up.

Warranty Registration

Thank you for purchasing a Windsor product. Warranty registration is quick and easy. Your registration will allow us to serve you better over the lifetime of the product.

To register your product go to:

www.windsorind.com/WarrantyRegistration.aspx

For customer assistance:

1-800-444-7654



Table of Contents

Machine Data Log/Overview	2
Table of Contents	3

HOW TO USE THIS MANUAL

How To Use This Manual	4
------------------------------	---

SAFETY

Important Safety Instructions	6
Importantes Mesures De Sécurité	8
Hazard Intensity Level	10
Degrés de Risques en cas de Danger	11
Grounding Instructions	12

OPERATIONS

Technical Specifications	14
How the Machine Works	15
Components	15
Wet Vacuum Operation	16
Dry Vacuum Operation	16
Emptying and Cleaning Tank	16

MAINTENANCE

Daily Maintenance	17
Periodic Maintenance	17
Servicing the Filter	18
Troubleshooting	18

PARTS LIST

Handle	34
Squeegee	36
Squeegee Mounting.....	38
Tank	40
Vacuum Cover	42
Vacuum Motor.....	44
Wheels.....	46
Hose and Wand Models 1.013-017.0, 1.013-019.0 and 1.013-022.0.....	48
Wiring Diagram	50

WARRANTY

North American New Machine Warranty.....	51
--	----

How to Use This Manual

This manual contains the following sections:

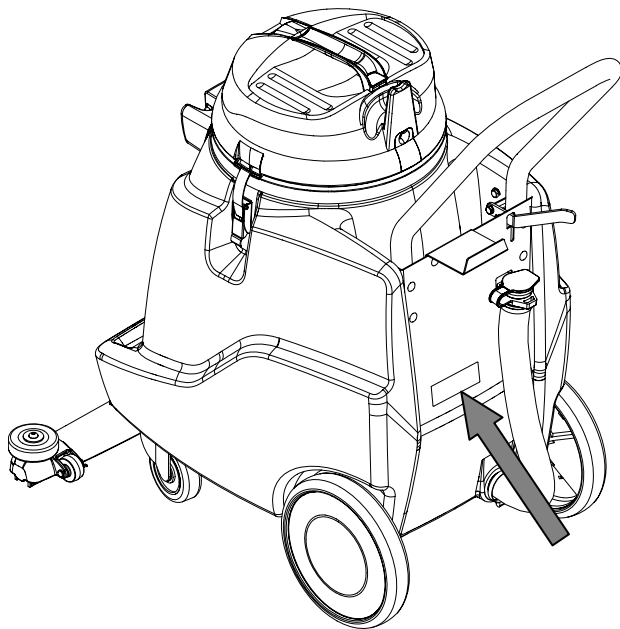
- HOW TO USE THIS MANUAL
- SAFETY
- OPERATIONS
- MAINTENANCE
- PARTS LIST

The HOW TO USE THIS MANUAL section will tell you how to find important information for ordering correct repair parts.

Parts may be ordered from authorized dealers. When placing an order for parts, the machine model and machine serial numbers are important. Refer to the MACHINE DATA log, which is filled out during the installation of your machine. The MACHINE DATA log is located on the inside of the front cover of this manual.

Model:	_____
Date of Purchase:	_____
Serial Number:	_____
Sales Representative:	_____
Address:	_____
Phone Number:	_____

The model and serial number of your machine is on the bottom back-end of the machine.



The SAFETY section contains important information regarding hazardous or unsafe practices of the machine. Levels of hazards are identified that could result in product damage, personal injury, or severe injury resulting in death.

The OPERATIONS section is to familiarize the operator with the operation and function of the machine.

The MAINTENANCE section contains preventive maintenance to keep the machine and its components in good working condition. They are listed in this general order:

- Daily Maintenance
- Periodic Maintenance
- Carbon Brush Replacement
- Servicing the Filter
- Machine Troubleshooting

The PARTS LIST section contains assembled parts illustrations and corresponding parts list. The parts lists include a number of columns of information:

- **REF** – column refers to the reference number on the parts illustration.
- **PART NO.** – column lists the part number for the part.
- **QTY** – column lists the quantity of the part used in that area of the machine.
- **DESCRIPTION** – column is a brief description of the part.
- **SERIAL NO. FROM** – If this column has an (*) and a Reference number, see the SERIAL NUMBERS page in the back of your manual. If column has two asterisk (**), call manufacturer for serial number. The serial number indicates the first machine the part number is applicable to. The main illustration shows the most current design of the machine. When a boxed illustration is shown, it displays the older design.
- **NOTES** – column for information not noted by the other columns.

NOTE: If a service or option kit is installed on your machine, be sure to keep the KIT INSTRUCTIONS which came with the kit. It contains replacement parts numbers needed for ordering future parts.

Notes:

Safety

IMPORTANT SAFETY INSTRUCTIONS

When using an electrical appliance, basic precaution must always be followed, including the following:

READ ALL INSTRUCTIONS BEFORE USING THIS MACHINE.

This machine is for commercial use.



To reduce the risk of fire, electric shock, or injury:

Operating a machine that is not completely or fully assembled could result in injury or property damage.

Do not operate this machine until it is completely assembled.

Inspect the machine carefully before operation. Use only as described in this manual. Use only the manufacturer's recommended attachments

Machines can cause an explosion when operated near flammable materials and vapors. Do not use this machine with or near fuels, grain dust, solvents, thinners, or other flammable materials.

Do not pick up flammable fluids, dust or vapors.

Do not vacuum anything that is burning or smoking, such as cigarettes, matches, or hot ashes.

This machine is not suitable for picking up health endangering dust.

Using a machine with a damaged power cord could result in an electrocution. Do not use the machine if the power cord is damaged. Do not use the electrical cord to move the machine. Keep cord away from heated surfaces. Do not unplug by pulling on the cord; grasp the plug, not the cord. Turn off all controls before unplugging. Do not close a door on cord or pull around sharp edges or corners.

Electrocution could occur if maintenance and repairs are performed on a unit that is not properly disconnected from the power source. Disconnect the power supply before attempting any maintenance or service.

Operating a machine without observing all labels, decals, etc., could result in injury or damage. Read all machine labels before attempting to operate the machine. Make sure all of the labels are attached or fastened to the machine. Get replacement labels and decals from the manufacturer's distributor.

Electrical components can "short-out" if exposed to water or moisture. Keep the electrical components of the machine dry. Always store the machine in a dry area.

Use of this machine to move other objects or to climb on could result in injury to the operator or damage to the machine. Do not use this machine as a step or furniture. Do not allow to be used as a toy. Close attention is necessary when used by or near children.

Moving parts of this machine can cause injury and/or damage. Keep hands, feet, loose clothing, hair, fingers, and all parts of the body away from openings and moving parts.

Electrocution could occur if you handle the plug or appliance with wet hands. Do not handle plug or appliance with wet hands.

Safety

The machine employs a removable float for wet pick-up operation to reduce risk of electric shock. Always install float before any wet pick-up operation.

Rotating fan blades inside the cover. Before opening cover, switch off machine. Wait until the fan/brush stops completely or dust and debris may be ejected.

If the machine is not working properly, has been dropped, damaged, left outdoors, or dropped into water, return it to an Authorized service center.

Damage could occur to machine if openings are blocked. Do not put any object into openings. Do not use with any opening blocked; keep free of dust, lint, hair, and anything that may reduce air flow.

Injury could occur to the operator or the machine if used without the dust bag and/or filters. Do not use the machine without the dust bag and/or filters in place.

Injury to the operator and/or damage to the machine could occur when cleaning on stairs, unless extra caution is used. Use extra caution when cleaning on stairs.

SAVE THESE INSTRUCTIONS

IMPORTANTES MESURES DE SÉCURITÉ

**L'utilisation d'un appareil électrique demande certaines précautions:
LIRE TOUTES LES INSTRUCTIONS AVANT DE FAIRE FONCTIONNER (CET APPAREIL).**

AVERTISSEMENT

Pour réduire les risques d'incendie, de choc électrique ou de blessure:

Utiliser une machine n'étant pas complètement ou totalement assemblée pourrait entraîner un dommage corporel ou matériel. N'utilisez pas cette machine jusqu'à ce qu'elle soit complètement assemblée. Inspectez soigneusement la machine avant l'utilisation. Utilisez uniquement comme indiqué dans ce manuel. N'utilisez que la documentation recommandée jointe par le fabricant.

Les machines peuvent provoquer une explosion lorsqu'elles sont utilisées à proximité de matériaux et de vapeurs inflammables. N'utilisez pas cette machine avec ou à proximité de combustibles, poussières de céréales, solvants, diluants ou autres matériaux inflammables.

Ne ramassez pas les fluides, poussières ou vapeurs inflammables.

N'aspirez rien qui puisse brûler ou fumer, comme des cigarettes, des allumettes ou des cendres chaudes. Cette machine ne convient pas au ramassage des poussières dangereuses pour la santé.

Utiliser une machine avec un câble électrique endommagé peut provoquer une électrocution. N'utilisez pas la machine si le câble électrique est endommagé. N'utilisez pas le câble électrique pour déplacer la machine. Gardez le câble éloigné des surfaces chaudes. Pour débrancher, ne tirez pas sur le câble; attrapez la prise, et non le câble. Éteignez toutes les commandes avant de débrancher. Ne refermez pas la porte sur le câble, et n'enroulez pas le câble autour des bords/angles tranchants.

Une électrocution peut survenir si la maintenance ou les réparations sont effectuées sur une unité n'étant pas correctement déconnectée de la source de puissance. Débranchez l'alimentation avant de procéder à la maintenance ou aux réparations.

Utiliser une machine sans respecter toutes les étiquettes, autocollants, etc., peut causer une blessure ou un dommage. Lisez toutes les étiquettes de la machine avant de l'utiliser. Assurez-vous que toutes les étiquettes sont apposées ou fixées à la machine. Obtenez les étiquettes et autocollants de remplacement auprès du distributeur du fabricant.

Les composants électriques peuvent « court-circuiter » s'ils sont exposés à l'eau ou à l'humidité. Les composants électriques de la machine doivent rester au sec. Entreposez toujours la machine dans une zone sèche.

Utiliser cette machine pour déplacer d'autres objets ou monter dessus pourrait l'endommager ou blesser l'opérateur. Ne vous servez pas de cette machine comme d'une marche ou d'un meuble. Ne laissez pas l'utilisateur s'en servir comme d'un jouet. Vous devez être particulièrement vigilant lorsqu'elle est utilisée par ou à proximité d'enfants.

Les pièces mobiles de cette machine peuvent causer une blessure et/ou un dommage. Gardez les mains, pieds, vêtements amples, cheveux, doigts et autres parties du corps éloignés des ouvertures et des pièces mobiles.

Une électrocution peut se produire si vous manipulez la prise ou l'appareil avec des mains humides. Ne manipulez pas la prise ni l'appareil avec des mains humides.

La machine utilise un flotteur amovible pour les opérations de ramassage humide afin de réduire le risque de choc électrique. Installez toujours un flotteur avant toute opération de ramassage humide.

Rotation des lames du ventilateur à l'intérieur du couvercle. Avant d'ouvrir le couvercle, éteignez la machine. Attendez que le ventilateur/la brosse s'arrête complètement ou que les poussières et les débris soient éjectés.

Si la machine ne fonctionne pas correctement, qu'elle est tombée, endommagée, entreposée à l'extérieur ou tombée dans l'eau, renvoyez-la au centre de réparation agréé.

La machine peut être endommagée si les ouvertures sont bloquées. Ne placez aucun objet dans les ouvertures. N'utilisez pas lorsqu'une ouverture est bloquée ; enlevez toute poussière, peluche, ou cheveux (et autres) pouvant réduire la circulation d'air.

L'opérateur peut être blessé ou la machine endommagée si cette dernière est utilisée sans le sac à poussière et/ou les filtres. N'utilisez pas la machine sans y avoir placé le sac à poussière et/ou les filtres.

L'opérateur peut être blessé ou la machine endommagée lors du nettoyage des escaliers, sauf si vous redoublez de prudence. Vous devez être particulièrement vigilant lors du nettoyage des escaliers.

CONSERVER CES INSTRUCTIONS

Safety

The following symbols are used throughout this guide as indicated in their descriptions:

HAZARD INTENSITY LEVEL

There are three levels of hazard intensity identified by signal words -**WARNING** and **CAUTION** and **FOR SAFETY**. The level of hazard intensity is determined by the following definitions:



WARNING - Hazards or unsafe practices, which COULD result in severe personal injury or death.



CAUTION - Hazards or unsafe practices, which COULD result in minor injury or product or property damage.

FOR SAFETY: To Identify actions, which must be followed for safe operation of equipment.

Report machine damage or faulty operation immediately. Do not use the machine if it is not in proper operating condition. Following is information that signals some potentially dangerous conditions to the operator or the equipment. Read this information carefully. Know when these conditions can exist. Locate all safety devices on the machine. Please take the necessary steps to train the machine operating personnel.

FOR SAFETY:

DO NOT OPERATE MACHINE:

Unless trained and authorized.

Unless operation guide is read and understood.

In flammable or explosive areas.

In areas with possible falling objects.

WHEN SERVICING MACHINE:

Avoid moving parts. Do not wear loose clothing; jackets, shirts, or sleeves when working on the machine. Use manufacturer approved replacement parts.

Les symboles ci-dessous sont utilisés à travers ce manuel comme illustré dans leurs descriptions:

DEGRÉS DE RISQUES EN CAS DE DANGER

Il existe trois degrés de risques identifiés par les termes signalétiques **-AVERTISSEMENT** et **ATTENTION** et **POUR VOTRE SÉCURITÉ**. Le degré de risque est défini de la manière suivante :

AVERTISSEMENT

AVERTISSEMENT - Dangers ou méthodes dangereuses qui **POURRAIENT** provoquer de graves blessures ou entraîner la mort.

ATTENTION:

ATTENTION - Dangers ou méthodes dangereuses qui pourraient provoquer des blessures légères ou une détérioration du produit ou des biens immobiliers.

POUR VOTRE SÉCURITÉ: Ce signe permet d'identifier les mesures de précaution à prendre pour assurer un bon fonctionnement du matériel.

Rendre compte immédiatement d'une défaillance ou d'une détérioration de la machine. Ne pas utiliser la machine si celle-ci ne fonctionne pas correctement. Lire soigneusement les informations ci-dessous signalant certains dangers potentiels pour l'opérateur de la machine. L'opérateur doit être absolument au courant de ces dangers potentiels. Localiser tous les dispositifs de sécurité sur la machine. Il est conseillé de prendre les mesures nécessaires pour former le personnel opérateur.

POUR VOTRE SÉCURITÉ:

NE PAS MANOEUVRER LA MACHINE :

Lorsqu'on n'est pas expérimenté ou qualifié.

Lorsque le guide d'utilisation n'est pas été lu ou compris.

Dans des zones inflammables ou explosives.

Dans des zones où des objets peuvent tomber.

LORS DE L'ENTRETIEN DE LA MACHINE :

Éviter les parties amovibles. Ne pas porter de vêtements amples, tels que des vestes, des chemises ou des vêtements avec manches lors de l'utilisation de la machine. Utiliser les pièces détachées Windsor homologuées.

Safety

ELECTRICAL:

In the USA this machine operates on a standard 15 amp 115V, 60 hz, A.C. power circuit. In the Europe this machine operates 220-240V/50/60 HZ, 120W, max. 1380W. The amp, hertz, and voltage are listed on the data label found on each machine. Using voltages above or below those indicated on the data label will cause serious damage to the motors.

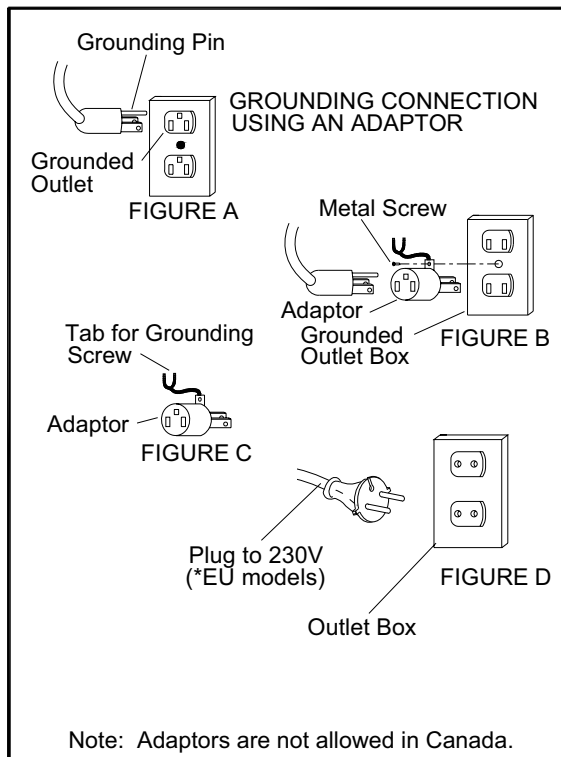
EXTENSION CORDS:

If an extension cord is used, the wire size must be at least one size larger than the power cord on the machine, and must be limited to 50 feet (15.5m) and for 230V = 24.6 feet (7.5m) in length.

GROUNDING INSTRUCTIONS:

This appliance must be grounded. If it should malfunction or break down, grounding provides a path of least resistance for electric current to reduce the risk of electric shock. This appliance is equipped with a cord having an equipment-grounding conductor and grounding plug. The plug must be inserted into an appropriate outlet that is properly installed and grounded in accordance with all local codes and ordinances.

Model for use on a nominal 120-volt circuit, and has a grounded plug that looks like the plug in "Fig. A". A temporary adaptor that looks like the adaptor in "Fig. C" may be used to connect this plug to a 2-pole receptacle as shown in "Fig. B", if a properly grounded outlet is not available. The temporary adaptor should be used only until a properly grounded outlet (Fig. A) can be installed by a qualified electrician. The green colored rigid ear, lug, or wire extending from the adaptor must be connected to a permanent ground such as a properly grounded outlet box cover. Whenever the adaptor is used, it must be held in place by a metal screw. The plug of "Fig. D" is only for 230V models (*EU models).



⚠ WARNING:

Improper connection of the equipment-grounding conductor can result in a risk of electric shock. Check with a qualified electrician or service person if you are in doubt as to whether the outlet is properly grounded. Do not modify the plug provided with the appliance - if it will not fit the outlet, have a proper outlet installed by a qualified electrician.

⚠ AVERTISSEMENT

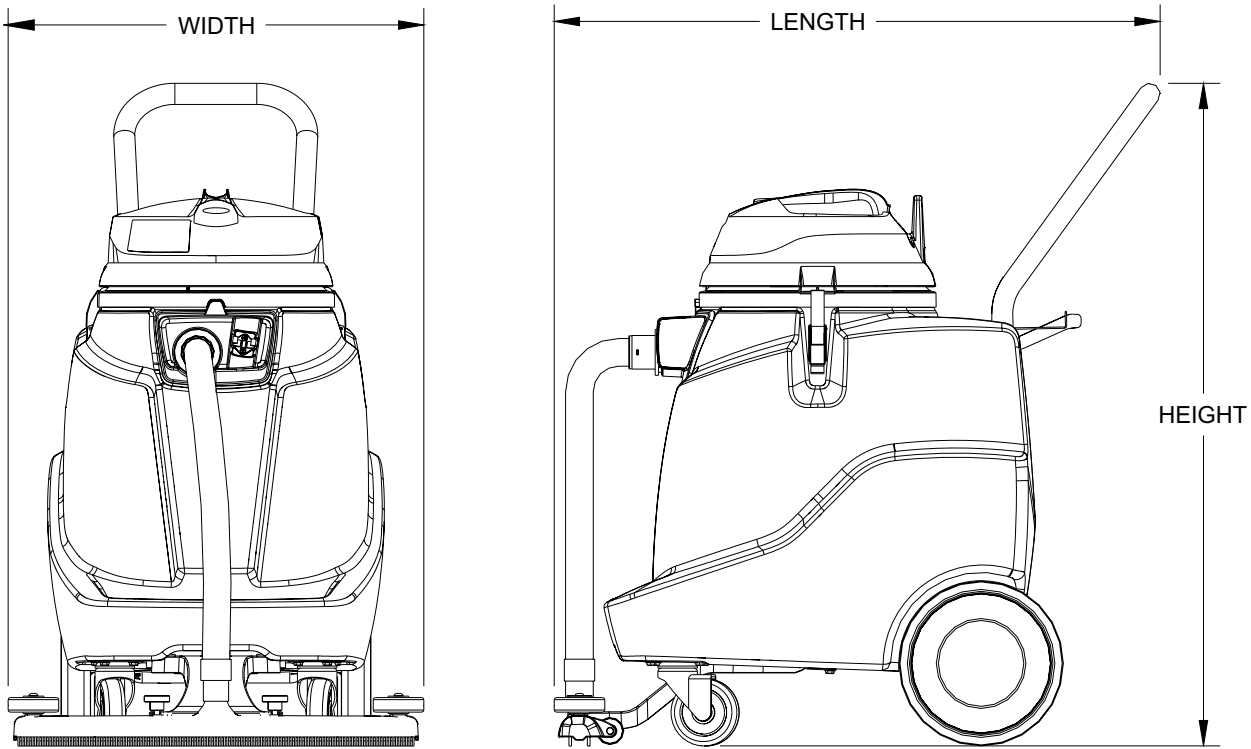
Le raccordement incorrect du conducteur de terre d'équipement peut entraîner des risques d'électrocution. Vérifiez auprès d'un électricien qualifié ou d'un responsable de l'entretien si vous avez quelque doute que ce soit quant au raccordement à la terre de votre prise murale. Ne modifiez pas la fiche fournie avec l'appareil : si elle ne correspond pas à la prise murale, faites installer une prise adéquate par un électricien qualifié.

Notes:

Operations

Technical Specifications

ITEM	MEASURE	MEASURE
MODEL	120 V	230 V
Electrical	120 V, 60 Hz, 10 Amp	220-240V, 50/60 Hz, 6.0 Amp
Tank capacity	18 gal [68 L]	
Vacuum motor	1200 Watt	1200W, max. 1380W
Power cord	50 ft. [15 Meters]	24.6 ft. [7.5 Meters]
Height	37.5 in. [95.25 cm]	
Length	35.5in [90 cm]	
Width	24.5 in. [62 cm]	
Weight, empty with cord and wand	64 lb [29 kg]	



SPECIAL NOTES

The sound pressure level at the operator's ear was measured to be 72 dBA. This was a nearfield, broad-band measurement taken on a carpeted floor. This appliance contains no possible source of impact noise. The instantaneous sound pressure level is below 63 Pa.

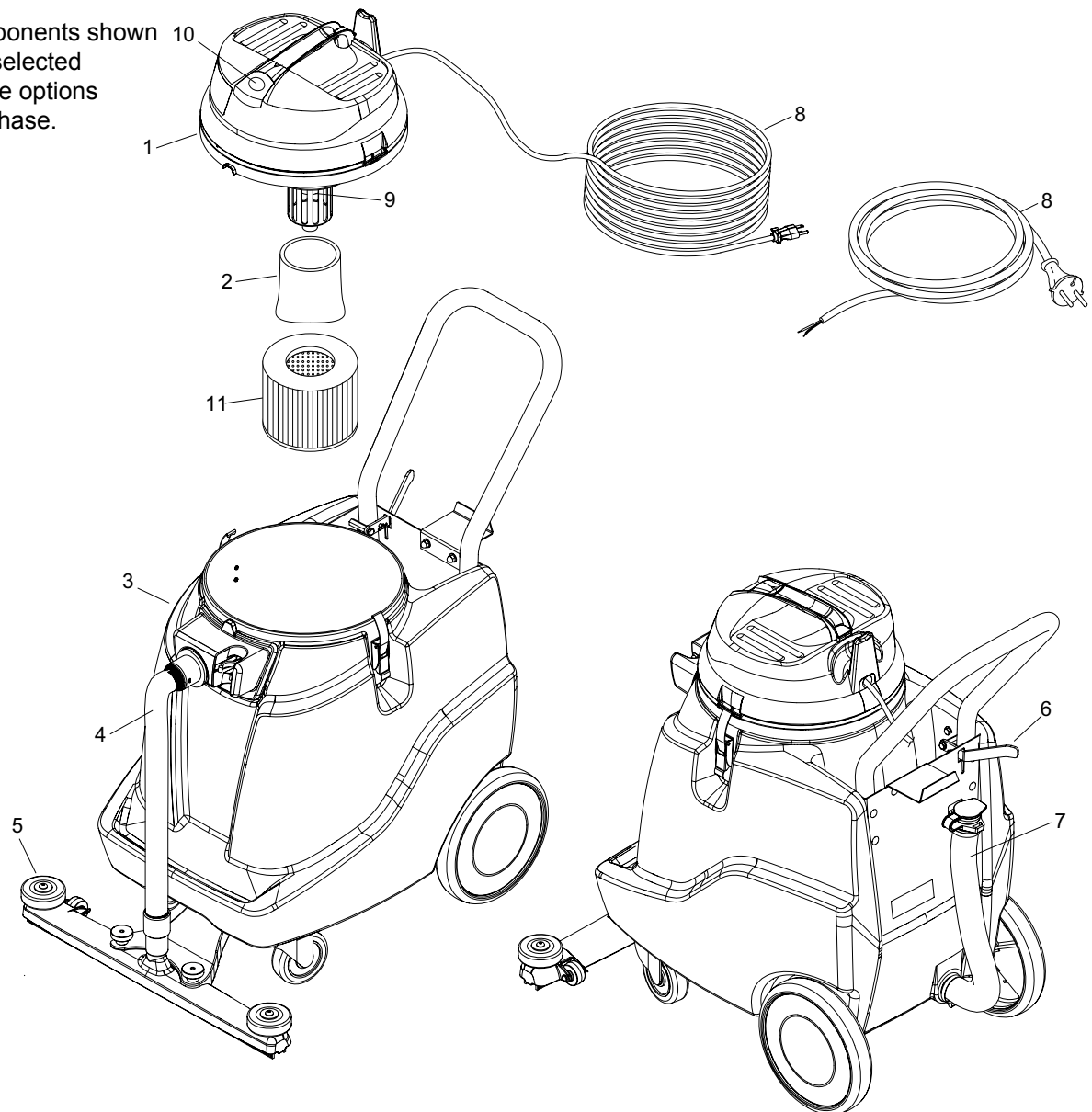
The weighted root mean square acceleration at the operator's arms was measured to be below 2.5m/s². This was a tri-axial, third-octave-band measurement made during normal operation on a composite tile floor. The measurement and related calculations were made in accordance with ANSI S3.34-1986.

How This Machine Works

The machine is meant for wet cleaning, but can be used for cleaning dry surface with the optional dry filter. The machine is equipped with a float shut-off. As the tank is filled to capacity, a float rises and seals the vacuum intake, causing loss of vacuum. Switch off the vacuum when this happens and bring the machine to a floor drain. To drain the machine use the hose at the back of the vacuum and empty into drain. With both wet and dry applications be sure to frequently clean the filter. This is especially true when the vacuum is being used with strippers and wax.

Components

Note: Some components shown are available on selected models only or are options available for purchase.



- | | |
|---|---|
| 1. Vacuum Cover | 6. Squeegee Lift |
| 2. Filter | (For Models 1.013-017.0, 1.103-492.0 & 1.103-022.0) |
| 3. Tank | 7. Drain Hose |
| 4. Squeegee Hose | 8. Electrical Cord |
| (For Models 1.013-017.0, 1.103-492.0 & 1.103-022.0) | 9. Float & Float Cage |
| 5. Squeegee | 10. On/Off Switch |
| (For Models 1.013-017.0, 1.103-492.0 & 1.103-022.0) | 11. Filter (Dry) only for 230V *EU model |

Operations

Wet Vacuum Operation

1. Make sure foam filter is installed on float cage.
2. Plug power cord from machine into properly grounded wall outlet.
3. Switch machine on.

Dry Vacuum Operation

1. Make sure (optional) cartridge filter is installed on float cage.
2. Plug power cord from machine into properly grounded wall outlet.
3. Switch machine on.

Emptying and Cleaning the Tank

When the tank is full the machine will remain on but will lose suction.

1. Turn off and unplug machine.
2. Place machine near drain.

Note: Always dispose of dirty water in an appropriate drain or receptacle.

3. Lower drain hose and open cap.

Note: Water may come out with force. Stand clear of hose outlet.

4. Remove cover and wipe machine down inside and out.

Note: *If machine is left for long periods without use, leave cover off or partially open to allow air to circulate.*



Unplug machine from electrical outlet before doing any maintenance.



Débranchez la machine de la prise électrique avant de procéder à la maintenance.

Daily Maintenance

Strippers and some detergents produce foam which will damage the vacuum motors. The vacuum shut-off may not be sensitive to all foams. Be sure to check that the tank is not filling with foam. Use a defoaming agent to avoid pulling foam through vacuum motor. Should vacuum motor become wet, remove source of overflow and immediately run vacuum motor open to dry.

At the end of each working day:

1. After each use, rinse tank with fresh water. Periodically inspect the recovery tank and decontaminate, using a Hospital Grade Virucide or a 1:10 bleach to water solution. Wastewater should be disposed of properly.
2. Remove head assembly and allow tank to dry.
3. Remove filter for cleaning or to allow to dry.
4. Inspect hoses for wear. Frayed or cracked hoses should be replaced to avoid vacuum loss.
5. Inspect power cord for wear. This cable will lay on wet surfaces. To prevent electrical shock replace cords with frayed or cracked insulation immediately.

Periodic Maintenance

1. Check filter for wear. Replace dirt saturated filters that do not respond to normal cleaning.
2. Inspect gasket seals and replace those which have begun to leak.
3. Examine carbon motor brushes and commutator.

Maintenance

Servicing the Filter

NOTE: Be sure to frequently clean the filter. Allow filter to dry after being used for wet pick-up. Filters used for wet pick-up including stripper must be thoroughly cleaned before being allowed to dry. Worn filters can affect vacuum performance.

Replace the filter when it becomes worn out and normal cleaning of the filter will not restore vacuum performance.

The filter is accessed by lifting the head assembly off the tank.

Foam filter is easily removed by simply lifting the filter basket out of the tank.

Optional Cartridge filters – Remove the filter retainer by unscrewing the retaining nut and replace with new filter.

Troubleshooting

PROBLEM	CAUSE	SOLUTION
Vacuum motor does not run	Bad fuse, cord or machine not plugged in.	Check cord and fuse. Check to see that machine is plugged in properly.
Vacuum motor is running but machine is not vacuuming	Float is blocking vacuum inlet.	Empty tank.
Vacuum capacity decreases	Hose or attachment clogged.	Clean hose and/or attachment of debris.
	Filter dirty.	Clean or replace filter.
Dust comes out while vacuuming	Filter dirty or not installed correctly.	Check for proper filter installation or replace filter.

RECOVER 18

Aspiradora de Residuos Sólidos y Líquidos



MODELOS:

1.013-017.0

C / ESCOBILLA DE GOMA, MANGUERA Y LANZA

1.013-022.0

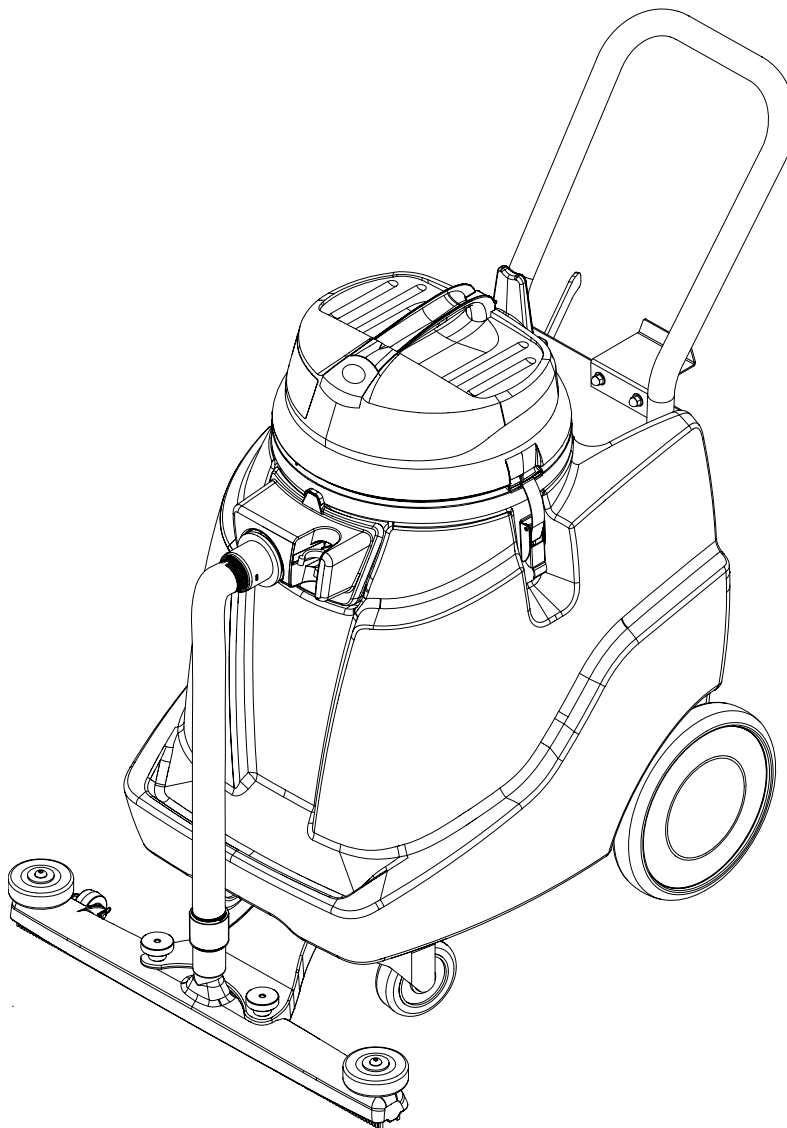
C / ESCOBILLA DE GOMA, MANGUERA Y LANZA

1.103-492.0

C / SOLO ESCOBILLA DE GOMA

1.013-019.0

C / SOLO MANGUERA Y LANZA



Instrucciones de uso (ESP)



REGISTRO DE DATOS DE LA MÁQUINA/DESCRIPCIÓN

Modelo: _____

Fecha de Compra: _____

Número de Serie: _____

Representante de Ventas: _____

Dirección: _____

Número Telefónico: _____

DESCRIPCIÓN GENERAL

Esta máquina es una aspiradora para uso comercial diseñada para la aspiración de residuos líquidos y sólidos.

Registro de Garantía

Gracias por comprar un producto Windsor. El registro de su garantía es fácil y rápido. Su registro nos permitirá brindarle un mejor servicio durante la vida útil del producto.

Para registrar su producto visite:

www.windsorind.com/WarrantyRegistration.aspx

Para servicio al cliente:

1-800-444-7654



Registro de Datos de La Máquina / Descripción	20
Índice	21

CÓMO UTILIZAR EL MANUAL

Cómo Utilizar El Manual	22
-------------------------------	----

SEGURIDAD

Instrucciones Importantes de Seguridad	24
Nivel de Intensidad de Riesgos	26
Instrucciones de Puesta a Tierra	27

FUNCIONAMIENTO

Especificaciones Técnicas.....	29
Cómo Funciona La Máquina.....	30
Componentes	30
Función de Aspiración de Residuos Líquidos	31
Función de Aspiración de Residuos Secos.....	31
Drenaje y Limpieza del Depósito	31

MANTENIMIENTO

Mantenimiento Diario.....	32
Mantenimiento Periódico	32
Mantenimiento y Reparación del Filtro	33
Resolución de Problemas.....	33

LISTA DE PIEZAS

Manija	34
Escobilla de Goma.....	36
Montaje de la Escobilla.....	38
Depósito.....	40
Tapa de la Aspiradora	42
Motor de Aspiración	44
Ruedas	46
Modelos de Manguera y Lanza 1.013-017.0, 1.013-019.0 y 1.013-022.....	48
Diagrama de Cableado.....	50

GARANTÍA

North American New Machine Warranty.....	51
--	----

Cómo utilizar el manual

El manual contiene las siguientes secciones:

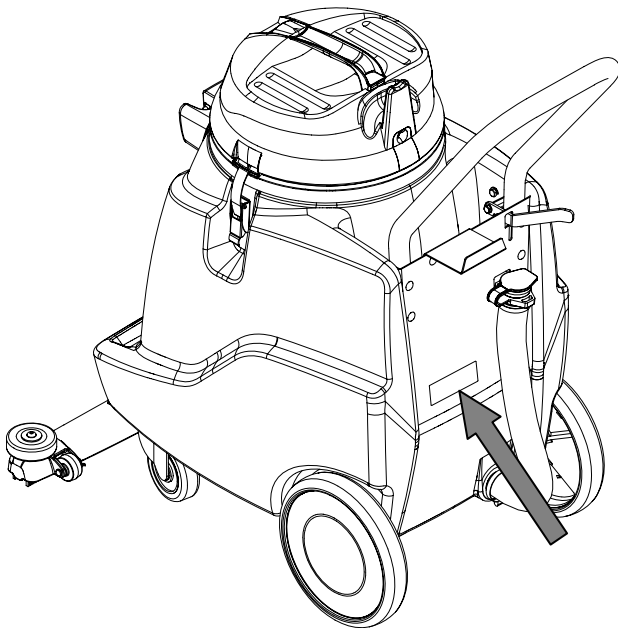
- CÓMO UTILIZAR EL MANUAL
- SEGURIDAD
- FUNCIONAMIENTO
- MANTENIMIENTO
- LISTA DE PIEZAS

La sección CÓMO UTILIZAR EL MANUAL le indica el modo de encontrar información importante para pedir las piezas de reparación correctas.

Las piezas deben ser solicitadas a distribuidores autorizados. Al realizar el pedido de piezas, es importante saber el modelo y los números de serie de la máquina. Consulte el registro DATOS DE LA MÁQUINA que se completa durante la instalación de la máquina. Dicho registro de DATOS DE LA MÁQUINA está situado en la parte interior de la portada de este manual.

Modelo:	_____
Fecha de Compra:	_____
Número de Serie:	_____
Representante de Ventas:	_____
Dirección:	_____
Número Telefónico:	_____

El modelo y número de serie de su máquina están situados en el extremo inferior de la parte posterior de la máquina.



La sección SEGURIDAD contiene información importante acerca de los usos de la máquina que pueden resultar peligrosos o poco seguros. Se identifican niveles de riesgos que pueden ocasionar lesiones personales o daños en el producto, o lesiones graves que pueden provocar la muerte.

El objetivo de la sección FUNCIONAMIENTO es familiarizar al operario con el manejo y el funcionamiento de la máquina.

La sección MANTENIMIENTO incluye instrucciones sobre mantenimiento preventivo para mantener la máquina y sus componentes en buenas condiciones de funcionamiento. Están clasificadas en el siguiente orden general:

- Mantenimiento Diario
- Mantenimiento Periódico
- Sustitución de la Escobilla de Carbón
- Mantenimiento y Reparación del Filtro
- Resolución de Problemas

La sección LISTA DE PIEZAS contiene ilustraciones de las piezas ensambladas y la correspondiente lista de piezas. Incluye además varias columnas con información:

- **REF** – esta columna se refiere al número de referencia en la ilustración de piezas.
- **No DE PIEZA** – esta columna indica el número correspondiente a la pieza.
- **CANT** – esta columna enumera la cantidad de piezas usadas en esa parte de la máquina.
- **DESCRIPCIÓN** – esta columna es una breve descripción de la pieza.
- **N.º DE SERIE DESDE** - Si esta columna tiene un (*) y un número de referencia, consulte la página de NÚMEROS DE SERIE en la parte trasera de su manual. Si la columna tiene dos asteriscos (**), llame al fabricante para obtener el número de serie. El número de serie indica la primera máquina a la que se puede aplicar el número de la pieza. La ilustración principal muestra el diseño más actual de la máquina. Cuando se muestra una ilustración en los cuadros, se observa el diseño anterior.
- **NOTAS** – esta columna contiene la información no incluida en las otras columnas.

NOTA: Si en la máquina se incluye un juego de servicio u opciones, asegúrese de conservar las INSTRUCCIONES DEL JUEGO que acompañan al mismo. Éste contiene los números de piezas de recambio necesarios para solicitar piezas en el futuro.

Notas:

Seguridad

INSTRUCCIONES DE SEGURIDAD IMPORTANTES

Al usar un aparato eléctrico, siempre se deben seguir las precauciones básicas, que incluyen las siguientes:

LEA TODAS LAS INSTRUCCIONES ANTES DE UTILIZAR LA MÁQUINA.

Esta máquina está diseñada para uso comercial.

⚠ ADVERTENCIA:

Para reducir el riesgo de incendio, descargas eléctricas y lesiones:

Si opera una máquina que no esté completa o totalmente ensamblada podría sufrir lesiones o provocar daños a la propiedad.

No opere esta máquina hasta que esté completamente ensamblada. Inspeccione la máquina con cuidado antes de ponerla en funcionamiento. Utilícela sólo del modo descrito en este manual. Utilice solamente los accesorios recomendados por el fabricante.

Las máquinas pueden provocar una explosión si se las utiliza cerca de vapores o materiales inflamables. No utilice esta máquina con combustibles, polvo de granos, disolventes, diluyentes u otros materiales inflamables, ni cerca de ellos.

No recoja líquidos, polvo o vapores inflamables.

No aspire objetos que estén ardiendo o humeando, como cigarrillos, cerillas o cenizas calientes.

Esta máquina no es adecuada para recoger residuos peligrosos para la salud.

Si utiliza una máquina con un cable de alimentación dañado podría electrocutarse. No utilice la máquina si el cable de alimentación está dañado. No utilice el cable de alimentación para desplazar la máquina. Mantenga el cable alejado de superficies calientes. No desenchufe la máquina tirando del cable, tire del enchufe, no del cable. Desconecte todos los controles antes de desenchufar la máquina. No cierre las puertas sobre el cable ni tire del mismo alrededor de bordes o esquinas filosas.

Podría electrocutarse si realiza tareas de mantenimiento o reparaciones en una unidad que no se haya desconectado correctamente de la fuente de energía. Desconecte el suministro eléctrico antes de intentar algún tipo de mantenimiento o servicio.

Si opera una máquina sin respetar todas las etiquetas, calcomanías, etc. podría sufrir lesiones o daños. Lea todas las etiquetas de la máquina antes de intentar operarla. Compruebe que todas las etiquetas estén sujetas o colocadas en la máquina. Consiga las etiquetas y calcomanías de repuesto solicitándolas al distribuidor del fabricante.

Los componentes eléctricos pueden hacer cortocircuito si se los expone al agua o la humedad. Mantenga secos los componentes eléctricos de la máquina. Almacene siempre la máquina en un lugar seco.

El uso de esta máquina para trasladar objetos o para subirse a ella podría hacer que el operador se lesione o dañe la máquina. No utilice la máquina como escalera ni como un mueble. No permita que se la emplee como juguete. Preste mucha atención cuando sea utilizada por niños o cerca de ellos.

Las piezas móviles de esta máquina pueden ocasionar lesiones y/o daños. Mantenga las manos, los pies, la ropa holgada, el cabello, los dedos y todas las partes del cuerpo alejados de las aberturas y de las piezas móviles.

Podría electrocutarse si manipula el enchufe o el aparato con las manos húmedas. No manipule el enchufe ni la máquina con las manos húmedas.

La máquina utiliza una boya desmontable para la operación de recogida de líquidos a fin de reducir el riesgo de electrocución. Instale siempre la boya antes de operar con líquidos.

Paletas del ventilador que giran dentro de la cubierta. Antes de abrir la cubierta, apague la máquina. Espere hasta que el ventilador/el cepillo se detenga completamente o podría eyectar polvo y residuos.

Si la máquina no funciona adecuadamente, se ha caído, ha sufrido daños, fue olvidada en el exterior, o ha caído al agua, llévela a un servicio técnico autorizado.

La máquina podría dañarse si las aberturas están bloqueadas. No coloque objetos en las aberturas. No utilice la máquina si alguna abertura está bloqueada, manténgala libre de polvo, pelusas, cabellos y de todos los objetos que pueden reducir el caudal de aire.

El operador podría lesionarse o la máquina podría dañarse si se la usa sin la bolsa para polvo y/o sin los filtros. No utilice la máquina si la bolsa para polvo o los filtros no están en su lugar.

El operador podría lesionarse y/o la máquina podría dañarse cuando se la utilice para limpiar escaleras, a menos que sea extremadamente precavido. Sea extremadamente precavido al limpiar escaleras.

GUARDE ESTAS INSTRUCCIONES

Seguridad

Los símbolos siguientes se usan a lo largo de la guía del modo indicado en sus descripciones:

NIVEL DE INTENSIDAD DE RIESGO

Hay tres niveles de intensidad de riesgo, identificados por palabras claves **-ADVERTENCIA, PRECAUCIÓN y POR SEGURIDAD**. El nivel de intensidad de riesgo está determinado por las siguientes definiciones:

ADVERTENCIA:

ADVERTENCIA - Riesgos o prácticas poco seguras que PODRÍAN provocar graves lesiones personales graves o la muerte.

PRECAUCION:

PRECAUCIÓN - Riesgos o prácticas poco seguras que PODRÍAN provocar lesiones menores o daños en el producto o en la propiedad.

POR SEGURIDAD: Para identificar las acciones que deben seguirse para un manejo seguro del equipo, informe inmediatamente de los daños en la máquina o de su mal funcionamiento. No utilice la máquina si no está en buenas condiciones de funcionamiento. A continuación hay información que indica algunas condiciones potencialmente peligrosas para el operario o el equipo. Lea esta información con atención. Conozca cuándo pueden darse estas condiciones. Coloque todos los dispositivos de seguridad en la máquina. Por favor, siga los pasos necesarios para instruir a los operarios de la máquina.

POR SEGURIDAD:

NO UTILICE LA MÁQUINA:

Si no está instruido y autorizado para ello.

Si no ha leído y entendido el manual de instrucciones.

En áreas inflamables o explosivas.

En áreas en las que pueden caer objetos.

MIENTRAS REPARA LA MÁQUINA:

Evite el contacto con las piezas móviles. No lleve puesta ropa amplia (chaquetas, camisas, o mangas) cuando trabaje en la máquina. Use piezas de repuesto aprobadas por el fabricante.

ELÉCTRICO:

En Estados Unidos, esta máquina funciona con un circuito eléctrico estándar de 15 amperes 115 voltios, 60 hz C.A. En Europa, esta máquina funciona con 220-240V/50/60 Hz, 120W, max. 1380W. El amperaje, nivel de hertz y el voltaje están mencionados en la etiqueta de datos que contiene cada máquina. Si se utilizan voltajes superiores o inferiores a los indicados en la etiqueta de datos se le causará un daño serio a los motores.

ALARGADORES:

Si se utiliza un alargador, el tamaño del cable debe ser al menos de un tamaño mayor que el cable de energía de la máquina y no debe medir más de 15.5 metros (50 pies) y para 230V no más de 7.5 metros (24.6 pies) de longitud.

INSTRUCCIONES PARA CONECTAR EL EQUIPO A TIERRA:

Este aparato debe estar conectado a tierra. En caso de un mal funcionamiento o una avería, la conexión a tierra brinda la posibilidad de una resistencia menor a la corriente eléctrica para reducir el riesgo de descarga eléctrica. Este aparato está equipado con un cable que tiene un conductor con conexión a tierra del equipo y un enchufe con conexión a tierra. El enchufe debe ser insertado dentro de un tomacorriente adecuado que esté debidamente instalado y conectado a tierra de acuerdo con todos los códigos y ordenanzas locales.

Este aparato debe usarse en un circuito de 120 voltios nominales y tiene un enchufe conectado a tierra parecido al de la "Fig. A". Se puede usar un adaptador provisorio parecido al adaptador de la "Fig. C" para conectar este enchufe a un receptáculo de 2 polos como se indica en la "Fig. B", si no se dispone de un tomacorriente con conexión a tierra. El adaptador provisorio sólo debe usarse hasta que un electricista calificado pueda instalar un tomacorriente conectado a tierra (Fig. A). La espiga rígida verde, la argolla o el cable que se extienda desde el adaptador debe conectarse a una conexión a tierra permanente como una tapa de la caja de distribución que esté adecuadamente conectada a tierra. Cuando se usa el adaptador, se lo debe sujetar en su sitio mediante un tornillo metálico. El enchufe de la "Fig. D" es solamente para modelos de 230V (*modelos de Union Europea).

⚠ ADVERTENCIA:

Una conexión inadecuada del conductor con conexión a tierra del equipo puede tener como resultado un riesgo de descarga eléctrica. Si tiene alguna duda acerca de si el tomacorriente está debidamente conectado a tierra consulte con un electricista o técnico calificado. No modifique el enchufe provisto con el aparato- si no cabe en el tomacorriente-índíquelo a un electricista calificado que le instale un tomacorriente adecuado.

CONEXIÓN A TIERRA

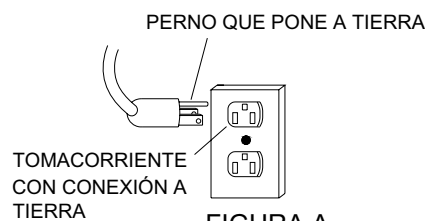


FIGURA A

CONEXIÓN A TIERRA MEDIANTE EL USO DE UN ADAPTADOR

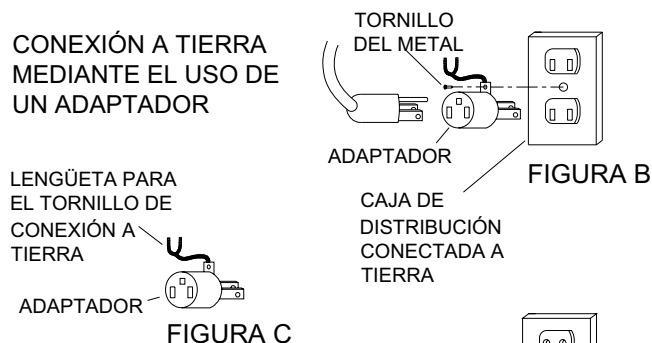


FIGURA B

LENGÜETA PARA EL TORNILLO DE CONEXIÓN A TIERRA

ADAPTADOR

FIGURA C

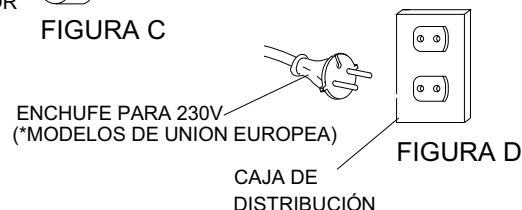


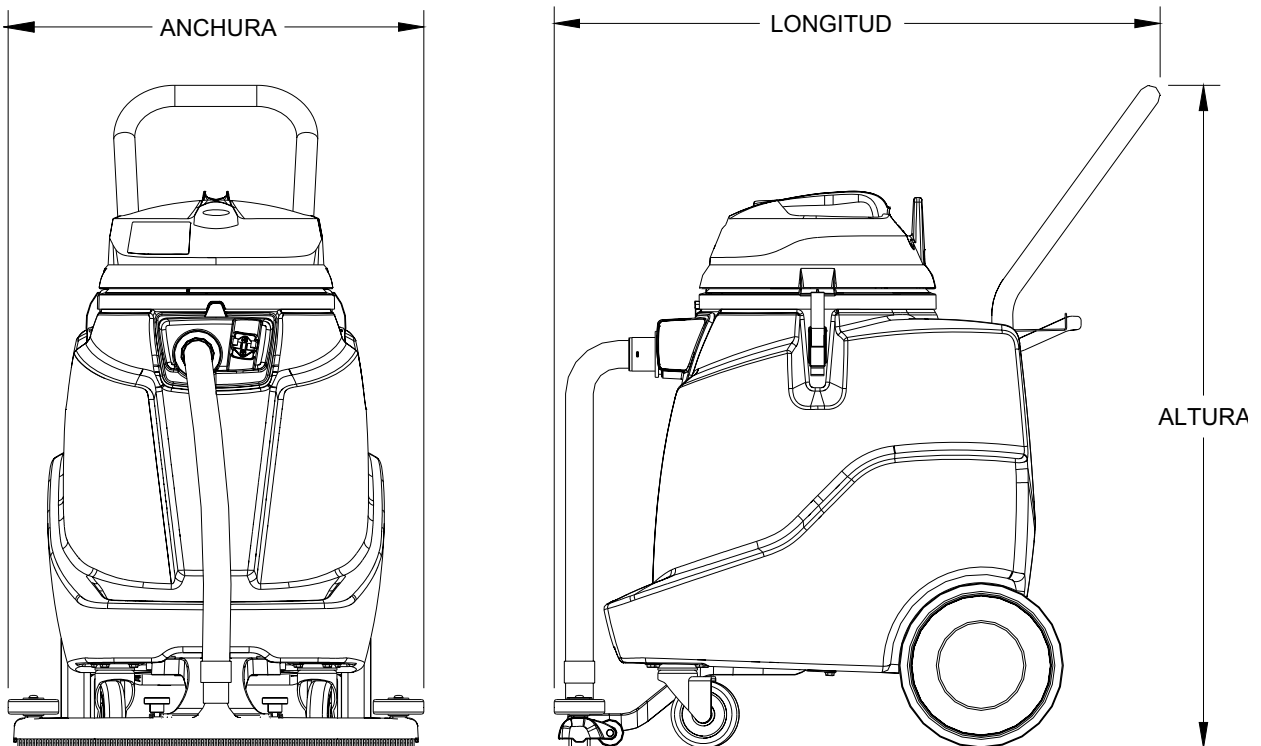
FIGURA D

Nota: En Canadá no se permite el uso de adaptadores.

Notas:

Especificaciones técnicas

ELEMENTO	MEDIDA	MEDIDA
MODEL	120 V	220 V
Eléctrico	120 V, 60 Hz, 10 Amperes	220-240V, 50/60 Hz 6.0 Amp
Capacidad del depósito	68 L (18 gal)	
Motor de aspiración	1200 Vatios	1200 W, max. 1380 W
Cable de energía	15 metros [50 pies]	7.5 metros [24.6 pies]
Altura	92.25 cm [37.5 pulg.]	
Longitud	90 cm [35.5 pulg.]	
Anchura	62 cm [24.5 pulg.]	
Peso, vacío con cable y varilla	29 kg [64 libras]	



NOTAS ESPECIALES:

El nivel de presión acústica en el oído del operario se midió en 72 dBA. Esta fue una medición de banda ancha, cerca del campo tomada sobre un piso con alfombra. Este aparato no contiene ninguna fuente posible de ruido de impacto. El nivel instantáneo de presión acústica está por debajo de 63 Pa.

La aceleración media cuadrática ponderada en los brazos del operario dio una medición por debajo de 2,5 m/s². Se trata de una medición triaxial en la banda de un tercio de octava, realizada durante el funcionamiento normal sobre un piso de baldosa compuesto. La medición y los cálculos relacionados con ésta se realizaron de acuerdo con ANSI S3.34-1986.

Funcionamiento

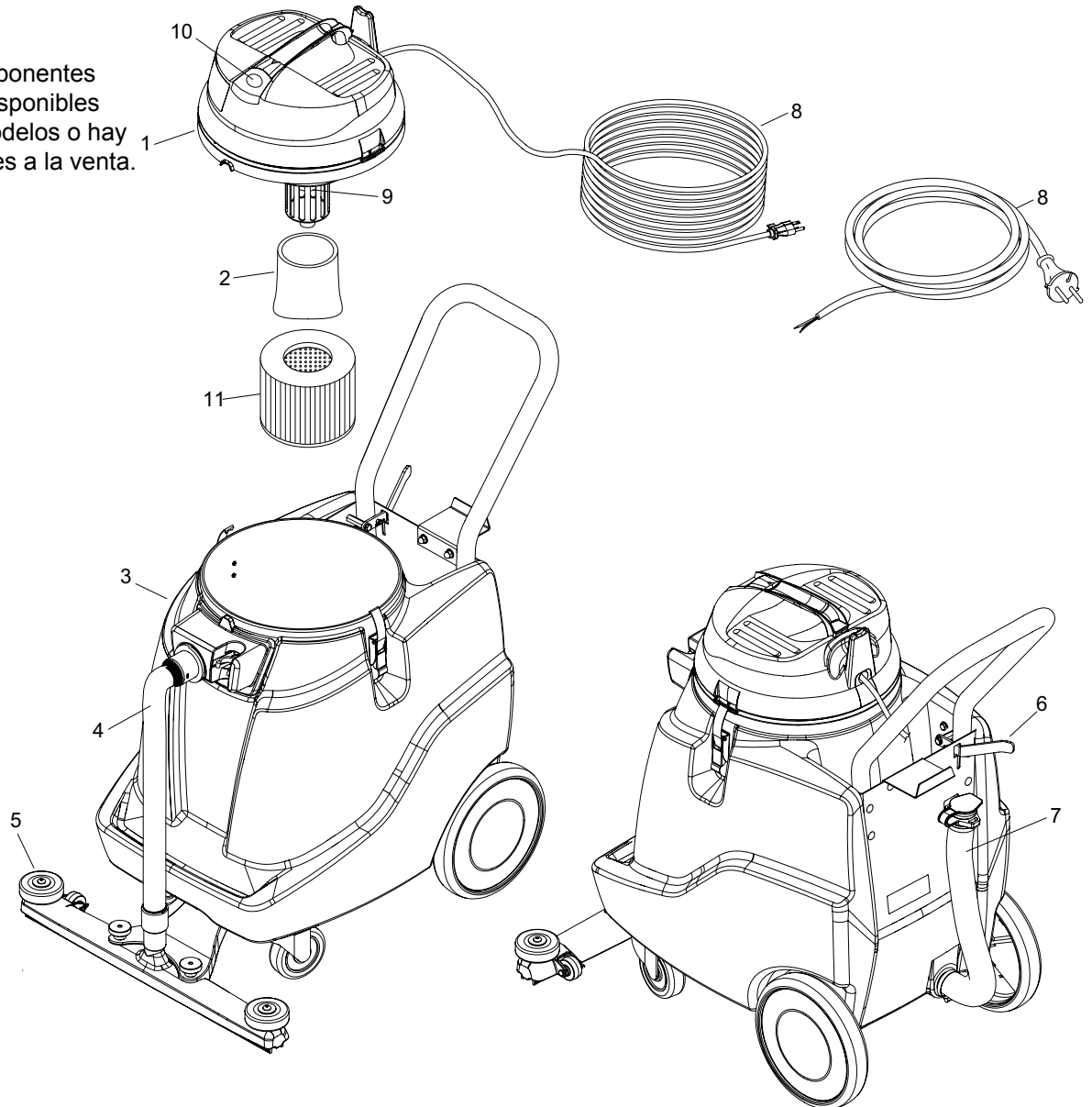
Cómo funciona la máquina

La máquina está diseñada para la limpieza de residuos líquidos pero se puede usar para limpiar superficies secas con el filtro opcional para residuos secos.

La máquina está equipada con una desconexión por boya. A medida que se llena el depósito hasta completar su capacidad, se eleva una boya y sella el ingreso de aspiración, ocasionando una pérdida de vacío. Apague la aspiradora cuando esto suceda y lleve la máquina hasta un desagüe de piso. Para drenar la máquina, use la manguera que está en la parte posterior de la aspiradora y vacíela en el desagüe. Tanto para las aplicaciones de aspiración de residuos líquidos como sólidos asegúrese de limpiar frecuentemente el filtro. Esto es especialmente cierto cuando se usa la aspiradora con rasqueteadoras y cera.

Componentes

Nota: Algunos componentes mostrados están disponibles solo en algunos modelos o hay opciones disponibles a la venta.



- | | |
|---|--|
| 1. Tapa de la Aspiración | 6. Elevación de Escobilla de Goma
(Para Modelos 1.013-017.0, 1.103-492.0 & 1.013-022.0) |
| 2. Filtro | 7. Manguera de Drenaje |
| 3. Depósito | 8. Cable de Alimentación |
| 4. Manguera de la Escobilla
(Para Modelos 1.013-017.0, 1.103-492.0 & 1.013-022.0) | 9. Boya y Cuba de la Boya |
| 5. Escobilla de Goma
(Para Modelos 1.013-017.0, 1.103-492.0 & 1.013-022.0) | 10. Interruptor de Encendido/Apagado |
| | 11. Filtro (Seco) solo en modelos 230V *EU |

Función de aspiración de residuos líquidos

1. Compruebe que el filtro de espuma esté instalado en la cuba de la boya.
2. Enchufe el cable de alimentación de la máquina en un tomacorriente de pared adecuadamente conectado a tierra.
3. Encienda la máquina.

Función de aspiración de residuos secos

1. Compruebe que el filtro de cartucho (opcional) esté instalado en la cuba de la boya.
2. Enchufe el cable de alimentación de la máquina en un tomacorriente de pared adecuadamente conectado a tierra.
3. Encienda la máquina.

Drenaje y limpieza del depósito

Cuando el depósito está lleno, la máquina seguirá encendida pero perderá succión.

1. Apague y desenchufe la máquina.
2. Ubique la máquina cerca del desagüe.

Nota: *Elimine siempre el agua sucia en un desagüe o receptáculo adecuado.*

3. Baje la manguera de drenaje y abra la tapa.

Nota: El agua puede salir con fuerza. Manténgase alejado de la salida de la manguera.

4. Saque la tapa y limpie la máquina completamente por dentro y por fuera.

Nota: *Si no se usa la máquina durante períodos prolongados, deje la tapa sacada o parcialmente abierta para permitir que circule el aire.*

Mantenimiento



Desenchufe la máquina del tomacorriente eléctrico antes de realizar cualquier tarea de mantenimiento.

Mantenimiento diario

Las rasqueteadoras y algunos detergentes producen espuma que daña los motores de aspiración. La desconexión de la aspiradora puede no ser sensible a todas las espumas. Asegúrese de comprobar que el depósito no se esté llenando de espuma. Use un agente desespumante para evitar recoger espuma a través del motor de aspiración. Si el motor de aspiración se moja, retire la fuente del exceso del desborde y haga funcionar de inmediato el motor de aspiración abierto para que se seque.

Al final de cada día de trabajo:

1. Tras cada uso, enjuague el depósito con agua limpia. Inspeccione periódicamente el depósito de recogida y descontamine si es necesario, utilizando un Virucida de uso hospitalario o una solución de blanqueador y agua de 1:10. Deshágase del agua sucia de una manera adecuada.
2. Retire el montaje del cabezal y deje que se seque el depósito.
3. Retire el filtro para limpiarlo o para permitir que se seque.
4. Inspeccione las mangueras para detectar si están desgastadas. Las mangueras deshilachadas o agrietadas deben sustituirse para eliminar las pérdidas de presión del vacío.
5. Revise si el cable de energía está desgastado. Este cable quedará apoyado sobre superficies mojadas. Para evitar una descarga eléctrica reemplace inmediatamente los cables con aislamiento deshilachado o quebrado.

Mantenimiento periódico

1. Controle si el filtro está desgastado. Sustituya los filtros que están saturados con suciedad que no responden a la limpieza normal.
2. Inspeccione las juntas de sellado y reemplace las que hayan empezado a perder.
3. Examine las escobillas de carbón del motor y el conmutador.

Mantenimiento y reparación del filtro

NOTA: Asegúrese de limpiar frecuentemente el filtro. Permita que el filtro se seque después de haberlo usado para aspirar residuos líquidos.

Los filtros usados para la aspiración de residuos líquidos, incluyendo Stripper deben limpiarse a fondo antes de dejarlos secar.

Los filtros desgastados pueden afectar al rendimiento del vacío.

Cambie el filtro cuando se desgaste y la limpieza normal del filtro no recupere el rendimiento del vacío.

Para acceder al filtro es necesario levantar el montaje del cabezal para sacarlo del depósito.

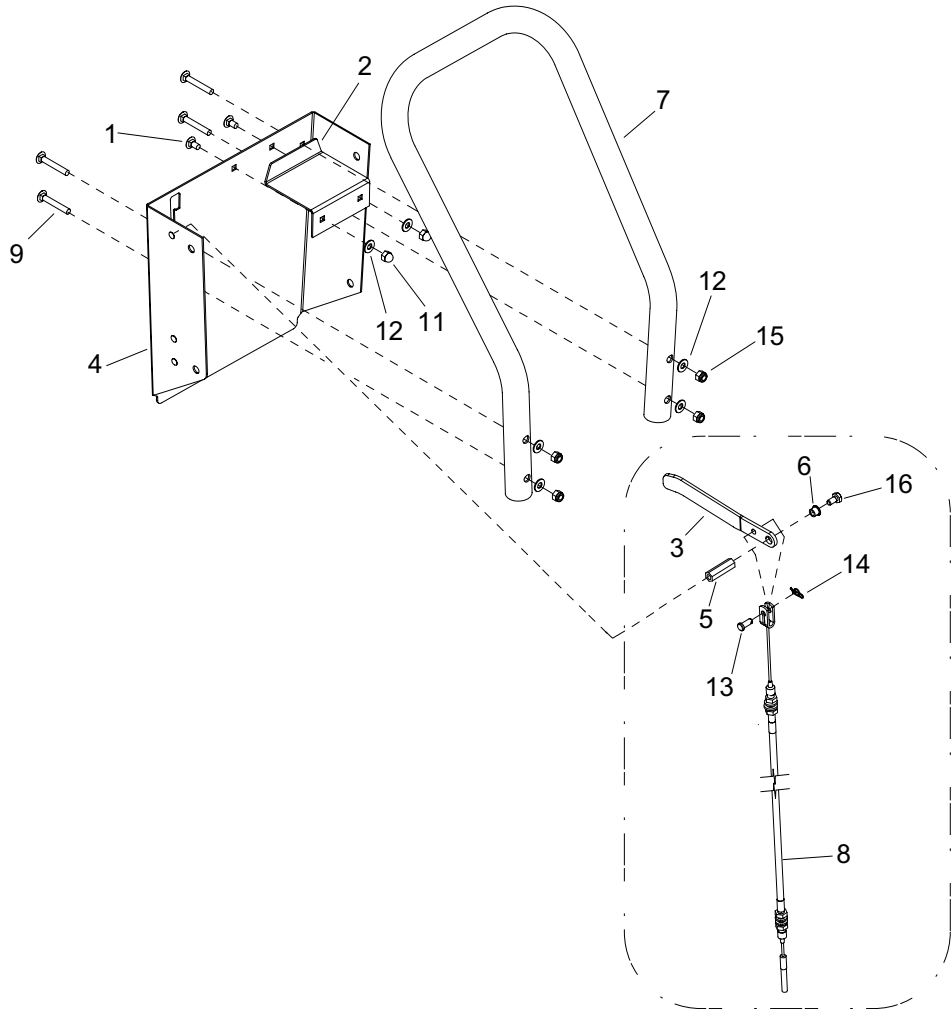
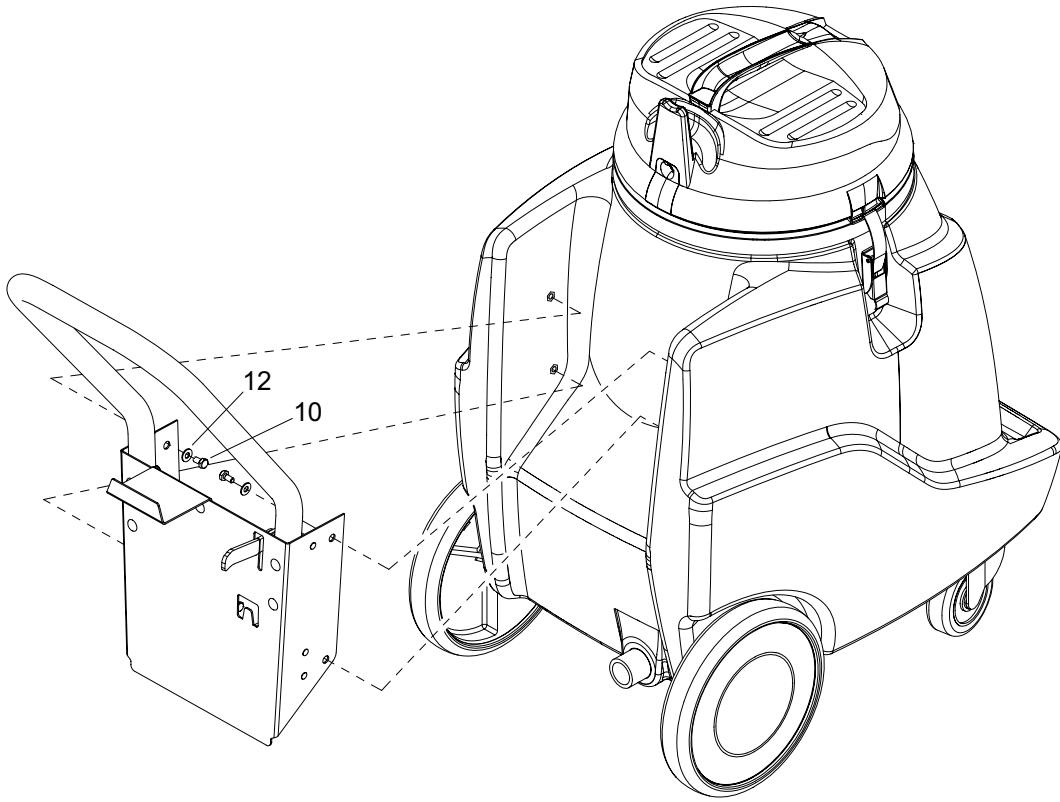
El filtro de espuma se retira fácilmente levantando simplemente la cesta del filtro fuera del depósito.

Filtros de cartucho opcionales: retire el retenedor del filtro desatornillando la tuerca de seguridad y reemplace con un filtro nuevo.

Resolución de problemas

PROBLEMA	CAUSA	SOLUCIÓN
El motor de aspiración no funciona	Fusible defectuoso, el cable o la máquina no están enchufados.	Controle el cable y el fusible. Controle que la máquina esté enchufada correctamente.
El motor de aspiración funciona pero la máquina no aspira	La boya bloquea la entrada de la aspiración.	Depósito vacío.
La capacidad de aspiración se reduce	La manguera o el accesorio están obstruidos.	Limpie la manguera y/o el accesorio para eliminar los residuos.
	Filtro sucio.	Limpie o sustituya el filtro.
El polvo se sale durante la aspiración	El filtro está sucio o no está instalado correctamente.	Controle si el filtro está instalado correctamente o sustituya el filtro.

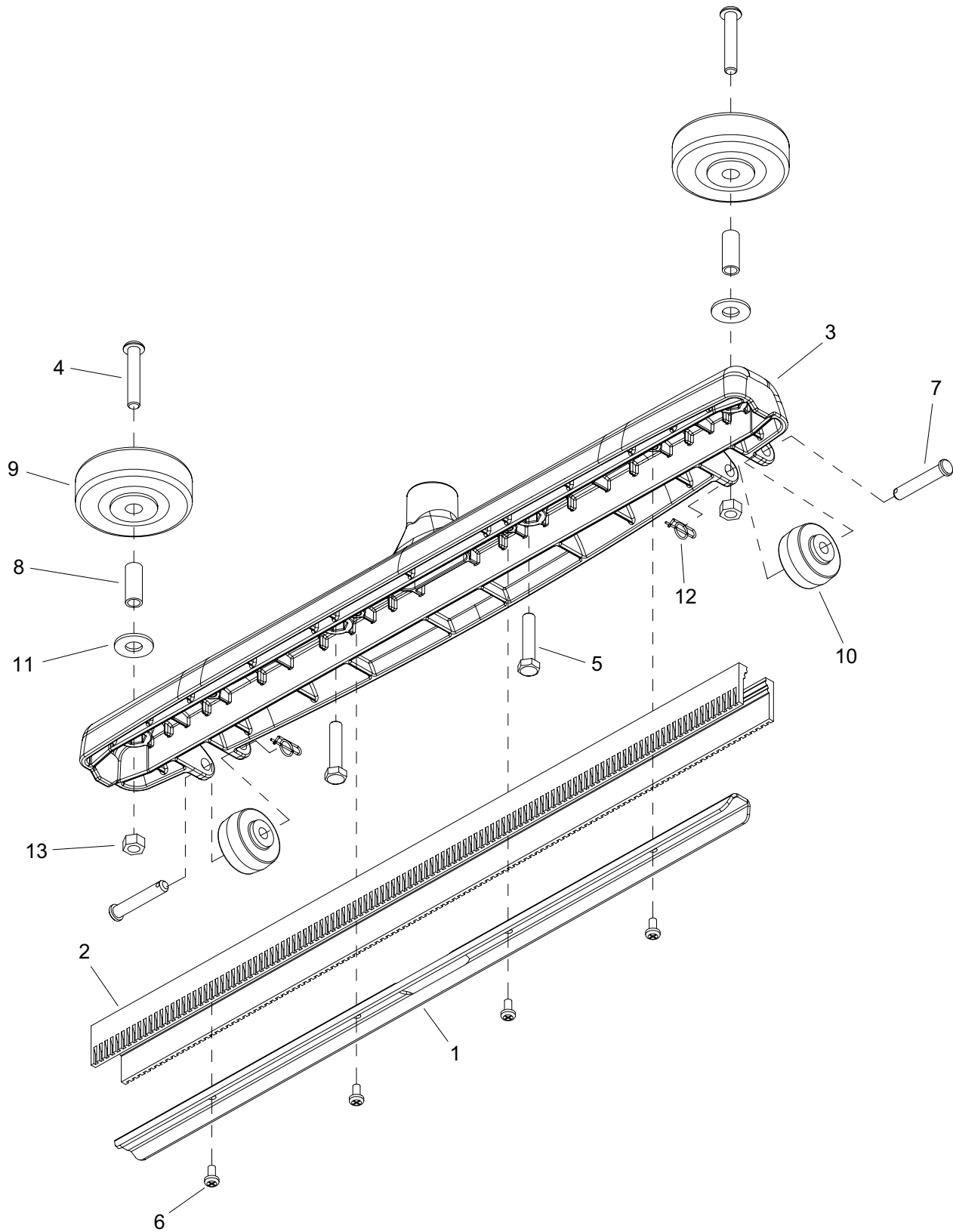
Handle / Manija



Models:
1.013-017.0
1.013-022.0
1.103-492.0

REF	PART NO.	QTY	DESCRIPTION	SERIAL NO. FROM	NOTES
1	86350450	2	SCR, 1/4-20 X .50 CARRIAGE PLT BLK		
2	86350440	1	PLATE, SIGN HOLDER		
3	86349030	1	HANDLE, LIFT, SQUEEGEE		Except Model 1.013-019.0
4	86349010	1	PLATE, BACK PANEL		
5	86349000	1	STANDOFF, 1/4-20 X 1.50		Except Model 1.013-019.0
6	86348990	1	BEARING FLANGED .252IDX.377OD		Except Model 1.013-019.0
7	86346140	1	HANDLE, WETDRY VAC		
8	86345860	1	CABLE, .09 X 29, 0707, SS		Except Model 1.013-019.0
9	87511420	4	SCR, 1/4-20 X 1.75 CARRIAGE PLT BLK		
10	87185820	4	BOLT, 1/4-20 X 1/2", NC HH(612945)		
11	87503060	2	NUT, 1/4" CAP SS		
12	86010630	12	WASHER, 1/4 X 5/8 FLAT SS		Except Model 1.013-019.0
		10	WASHER, 1/4 X 5/8 FLAT SS		For Model 1.013-019.0
13	86009560	1	PIN, CLEVIS		Except Model 1.013-019.0
14	86008650	1	COTTER, 1/4 RING		Except Model 1.013-019.0
15	86005810	6	NUT, 1/4-20 HEX NYLOCK SS		Except Model 1.013-019.0
		4	NUT, 1/4-20 HEX NYLOCK SS		For Model 1.013-019.0
16	98027000	1	BOLT, 1/4-20 X 3/4", NC HH (612937)		Except Model 1.013-019.0

Squeegee / Escobilla de Goma
Models / Modelos 1.013-017.0, 1.103-492.0 & 1.013-022.0

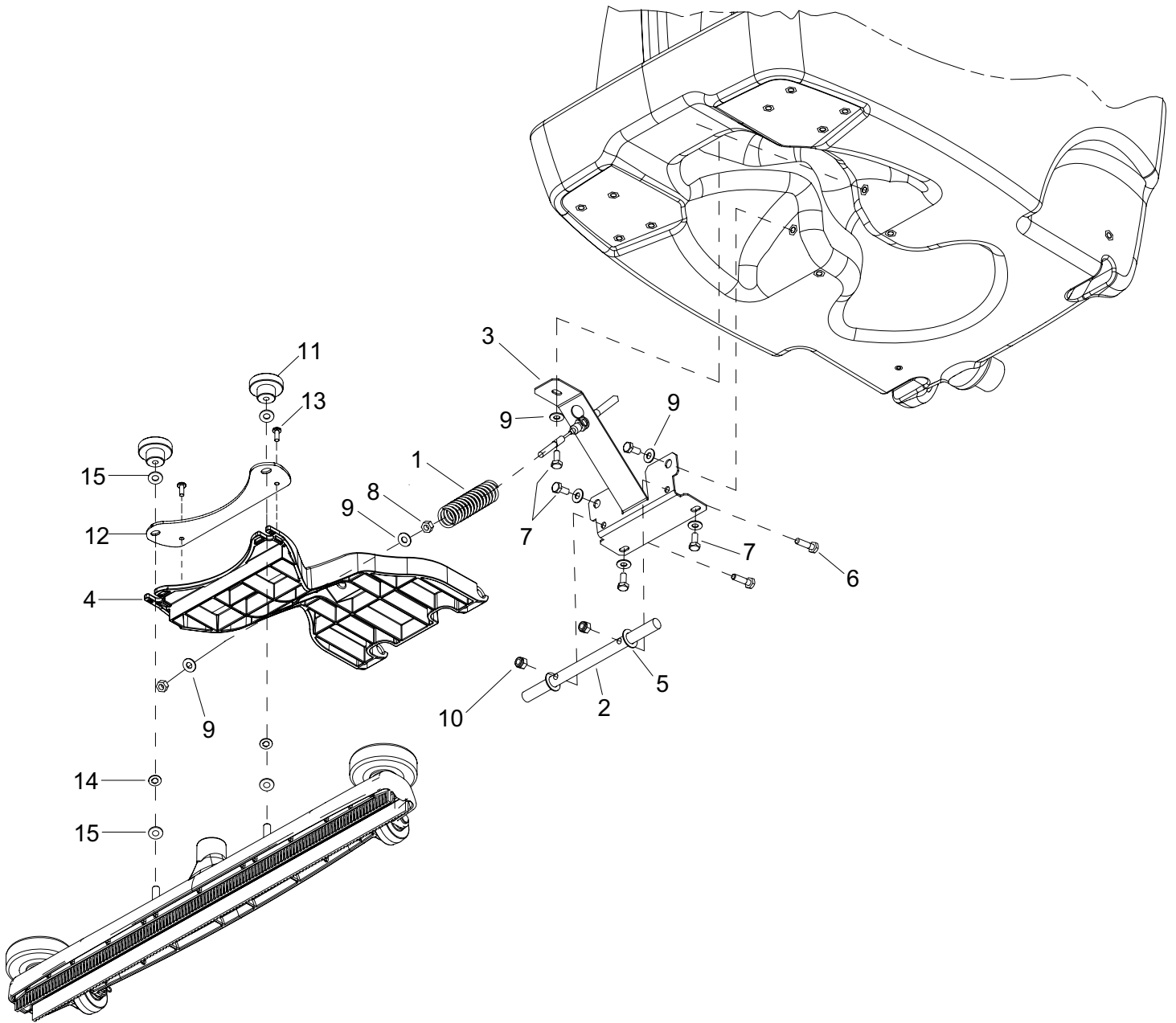


Squeegee / Escobilla de Goma
Models / Modelos 1.013-017.0, 1.103-492.0 & 1.013-022.0

REF	PART NO.	QTY	DESCRIPTION	SERIAL NO. FROM	NOTES
1	86345820	1	BRKT, RETAINER, SQUEEGEE		
2	86345340	2	SQUEEGEE BLADE, WET/DRY VAC		
3	86343790	1	SQUEEGEE, 24"		
4	86277400	2	SCR, 5/16-18 X 1.75 BSHCS SS		
5	86274720	2	SCREW, 5/16-18 X 1.50 HHCS SS		
6	86274290	4	SCR, 10-32 X 3/8 PPHMS SS		
7	86272670	2	PIN, CLEVIS		
8	86001350	2	BUSHING, SPANNER .435 X 1.10		
9	86011020	2	WHEEL, 3" DIA. CUSHION RUBBER		
10	86010880	2	WHEEL, 1.5 OD X .31 ID X .75 W GRY		
11	86010770	2	WASHER, 7/16 X 1 FLAT		
12	86008660	2	COTTER, 5/16 RING		
13	98027860	2	NUT, 5/16", HEX, NC		
14	86352920	-	SQUEEGEE ASSY, WET VAC		COMPLETE

Squeegee Mounting / Montaje de Escobilla

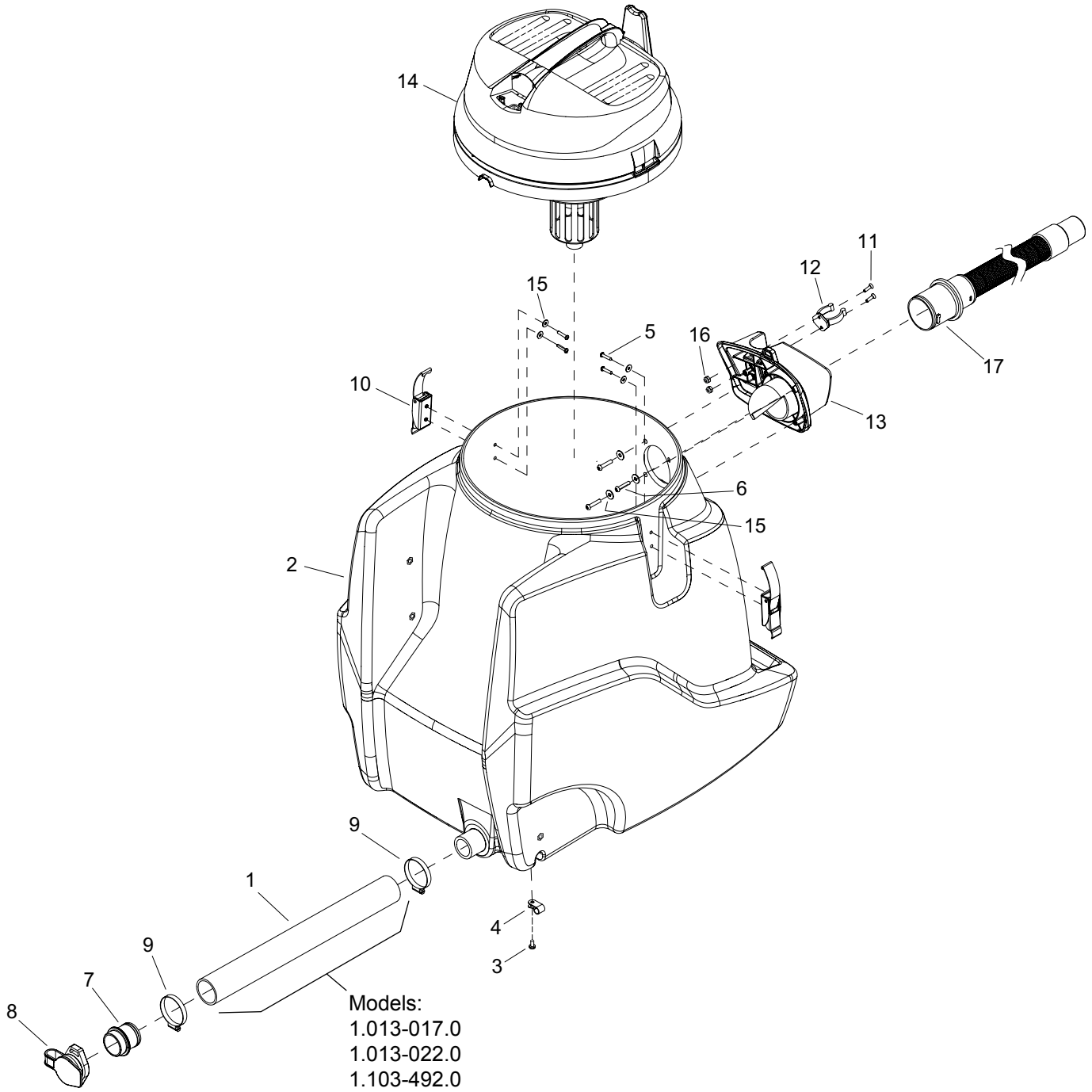
Models / Modelos 1.013-017.0, 1.103-492.0 & 1.013-022.0



Squeegee Mounting / Montaje de Escobilla
Models / Modelos 1.013-017.0, 1.103-492.0 & 1.013-022.0

REF	PART NO.	QTY	DESCRIPTION	SERIAL NO. FROM	NOTES
1	86345850	1	SPRING, SQUEEGEE ARM		
2	86345840	1	SHAFT, SQUEEGEE, ARM		
3	86345830	1	BRKT, RETAINER, ARM		
4	86343800	1	ARM, SQUEEGEE, PIVOT		
5	86279320	2	WASHER, .52 X .88 FLAT		
6	86273810	2	SCR, 1/4-20 X 1.00 HHCS SS		
7	86273750	5	SCR, 1/4-20 X 5/8 HHCS SS		
8	86271600	2	NUT, 1/4-28 HEX		
9	86010630	7	WASHER, 1/4 X 5/8 FLAT SS		
10	98027730	2	NUT, 1/4-20 ESNA NC		
11	86219690	2	KNOB, 1.5 OD X 5/16-18		
12	89198340	1	PLATE, STIFFENER, WET		
13	86006870	2	SCREW #10B X 1/2 PHSM BLK		
14	87528170	2	5/16" EXTERNAL TOOTH LOCK WASHER, ZINC		
15	86010770	4	Washer 7/16ID X1DX.08 FLT SS		

Tank Depósito

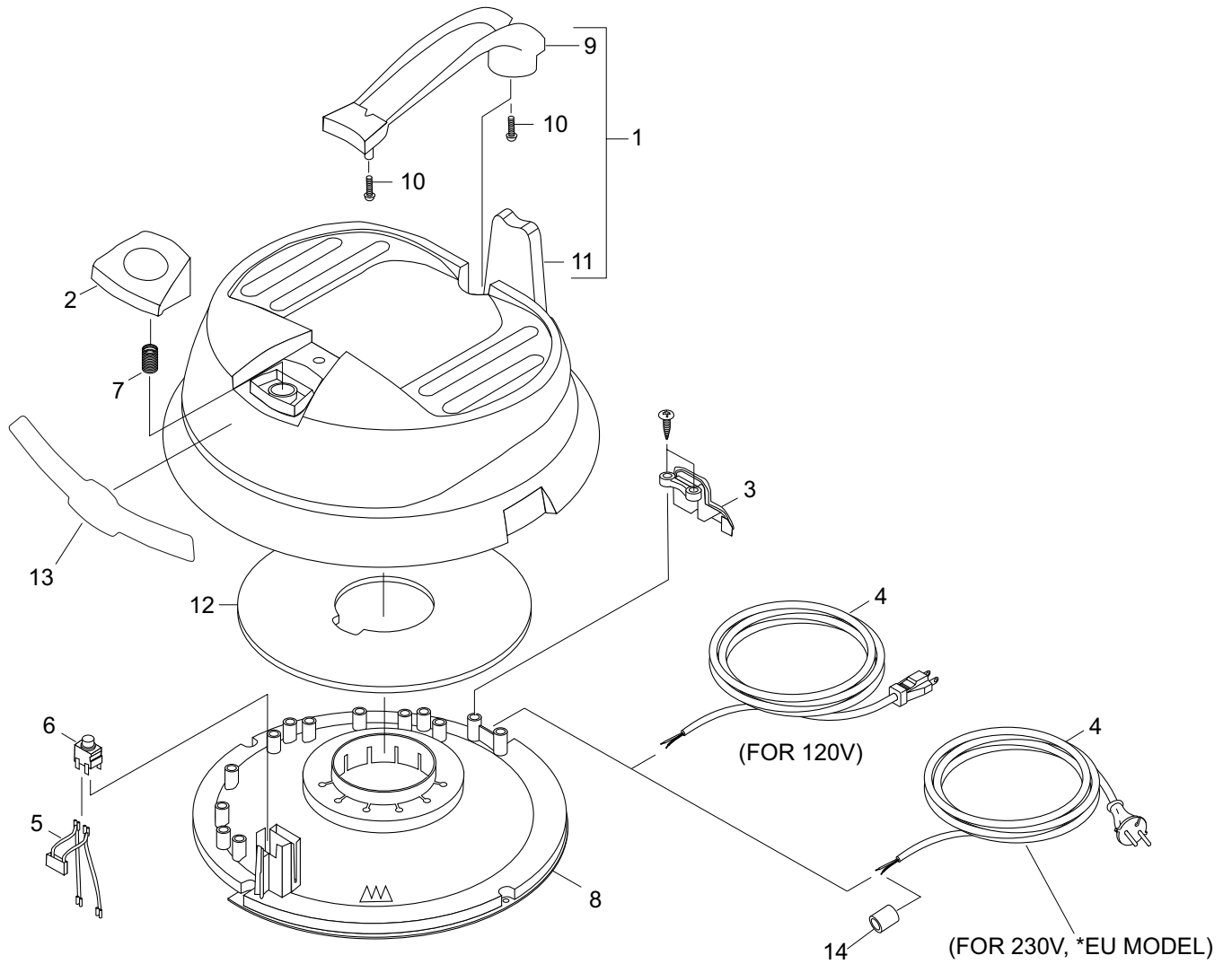


Tank Depósito

REF	PART NO.	QTY	DESCRIPTION	SERIAL NO. FROM	NOTES
1	86346200	1	HOSE, DRAIN, 1.5 ID X 16 LG		
2	86345400	1	TANK, WET/DRY, TRIM, BLU		
3	86274290	1	SCR, 10-32 X 3/8 PPHMS SS		Except Model 1.013-019.0
4	86233170	1	CLAMP, 3/8 NYLON UL/CSA		Except Model 1.013-019.0
5	86173000	4	SCR,KA40X20,OHCS,WN1412,PL		
6	86327910	4	SCR, KA50X25, PT OHS, WN1412, PLTD		
7	86004510	1	HOSE, INSERT		
8	86004500	1	HOSE, CAP		
9	86002400	2	CLAMP, 2.00 WORM GEAR X .312		
10	40750150	2	AKW LATCH		
11	86345910	2	SCR, 8-32 X 3/4 PFHTC "F" BLK		
12	86002990	1	CLIP, C 1 1/2" PLASTIC		
13	86343590	1	HOSE ADAPTER, WETDRY		
14	21000010	1	SUCTION HEAD COMPLETELY		
14	21000050	1	SUCTION HEAD COMPLETELY *EU		
15	86012970	8	WASHER, M5, FNDR, ISO7039,SS		
16	86270850	2	NUT, 8-32 HEX NYLOCK SS		
17	86345880	1	HOSE, WET/DRY VAC, 26.25" L		Except Model 1.013-019.0

Vacuum Cover

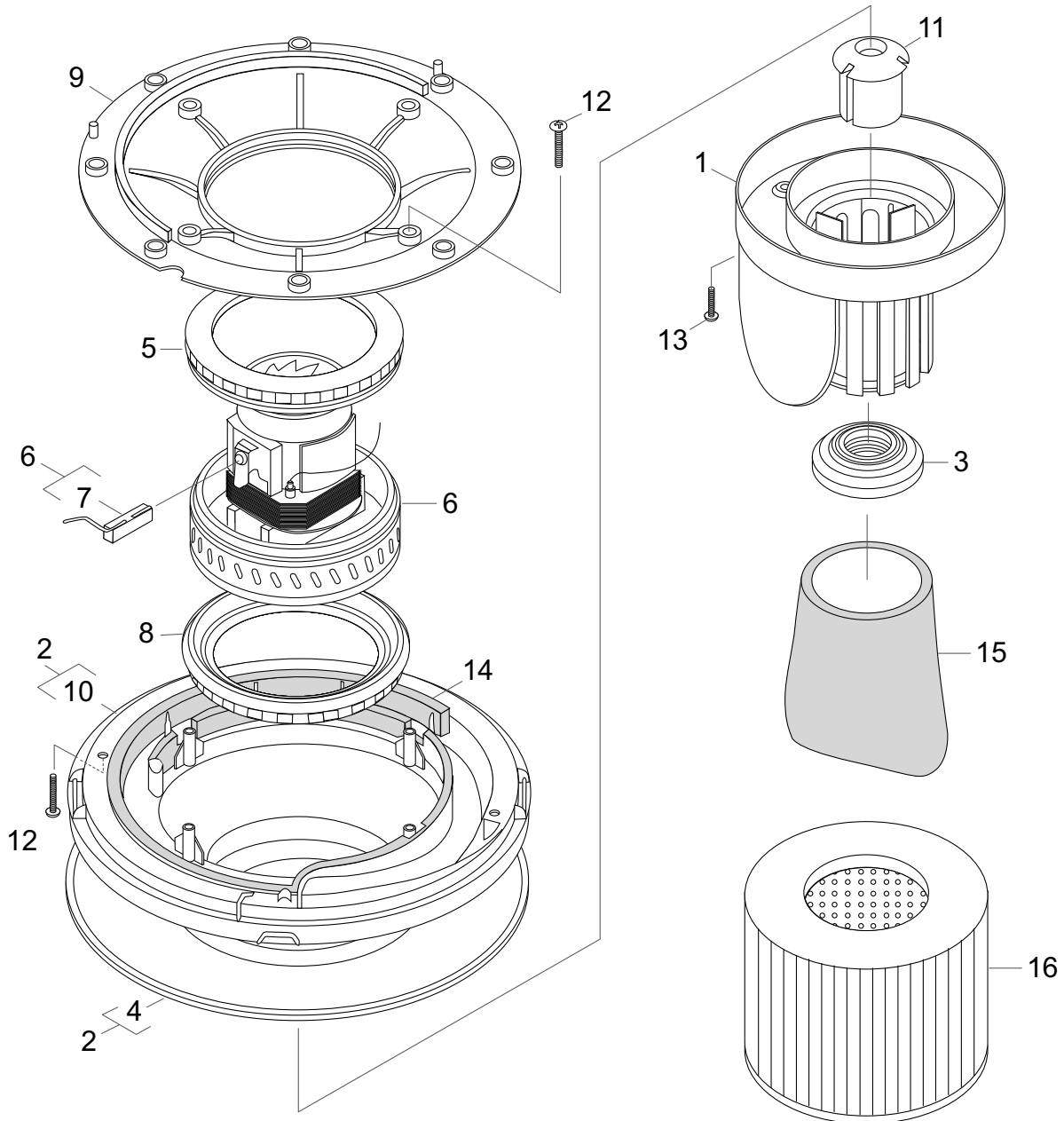
Tapa de la Aspiradora



Vacuum Cover
Tapa de la Aspiradora

REF	PART NO.	QTY	DESCRIPTION	SERIAL NO. FROM	NOTES
1	40663240	1	COVER COMPLETE ONLY FOR		
2	53240400	1	PUSHBUTTON		
2	53241400	1	PUSHBUTTON FOR 230V *EU MODEL		
3	50323630	1	STRAIN RELIEF		
3	50324780	1	STRAIN RELIEF FOR 230V *EU MODEL		
4	66500610	1	POWER CABLE		
4	66472630	1	POWER CABLE FOR 230V *EU MODEL		
5	48393700	1	ELECTRICAL SMALL PARTS		
5	48393160	1	ELECTRICAL SMALL PARTS FOR 230V *EU MODEL		
6	66302140	1	SWITCH		
7	53324570	1	SPRING SWITCH		
8	50324330	1	MOULDED PART		
9	53217110	1	HANDHOLD		
10	73030840	4	SCREW 4X25 -10.9-R2R (K-IN6RD)		
11	50690060	1	COVER		
12	62864330	1	SOUND INSULATION SET		
13	86345720	1	LABEL, WET/DRY, BLU		
14	66140050	1	FERRITE RING 230V *EU MODEL		

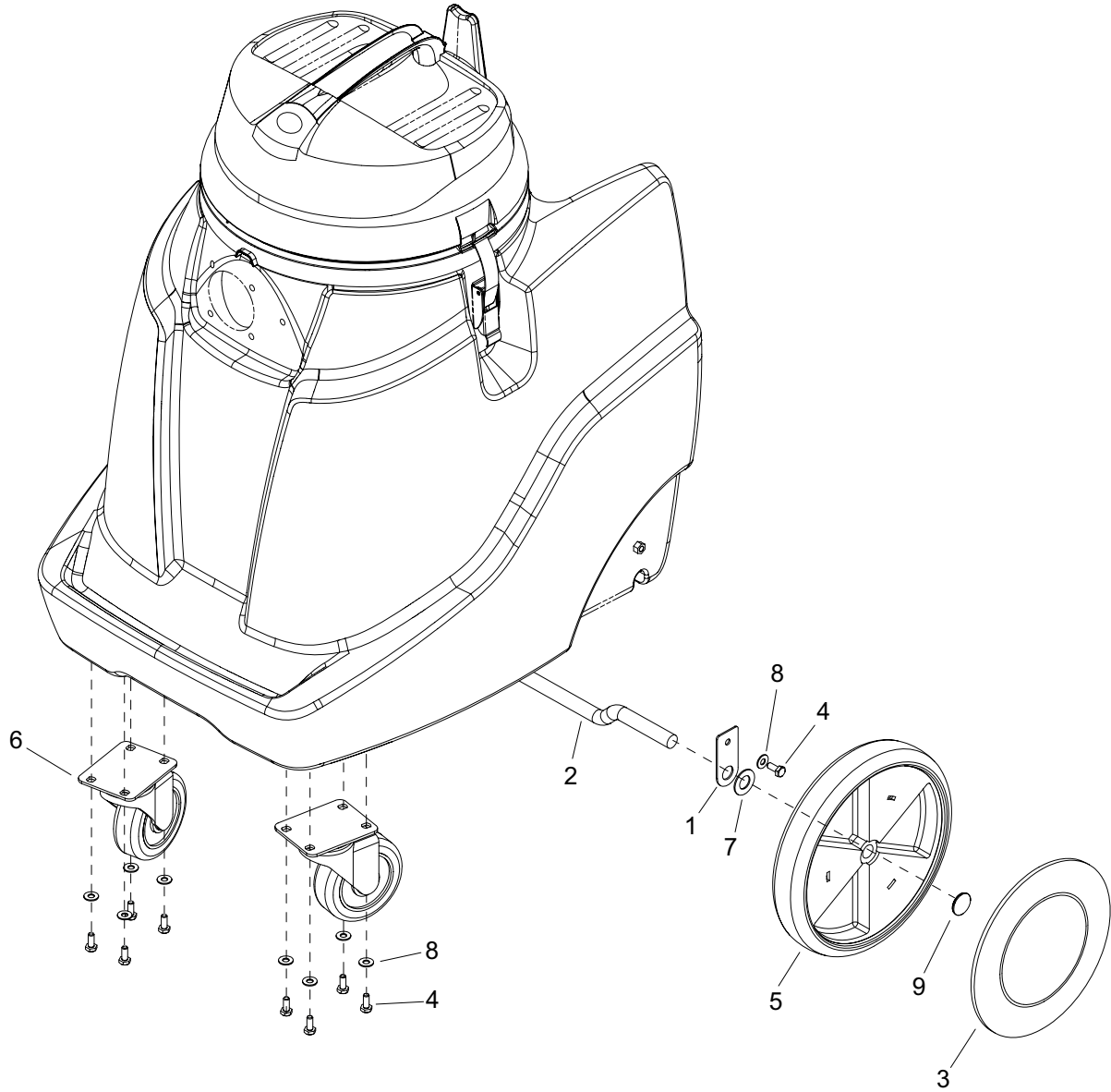
Vacuum Motor
Motor de Aspiración



Vacuum Motor
Motor de Aspiración

REF	PART NO.	QTY	DESCRIPTION	SERIAL NO. FROM	NOTES
1	94116310	1	FILTERING BASKET		
2	41221220	1	MOTOR FLANGE COMPLETE		
3	94119540	1	HOLDER FILTERING BASKET		
4	53635860	1	SEAL FLANGE MOTOR		
5	69033000	1	SEAL MOTOR		
6	64901770	1	VACUUM MOTOR 120V		
6	64901480	1	VACUUM MOTOR 230V FOR *EU MODEL		
7	66102520	2	CARBON BRUSH		
7	66102470	1	CARBON BRUSH FOR 230V *EU MODEL		
8	69032460	1	SEAL MOTOR		
9	51224250	1	FLANGE WATER		
10	51224150	1	FLANGE MOTOR		
11	55850380	1	FLOAT		
12	73030850	8	SCREW 4X 35 -10.9-R2R (K-IN6RD)		
13	73032050	2	SCREW 4X16-ST-10.9-R2R (IN6RD)		
14	62864330	1	SOUND INSULATION SET		
15	57315950	1	FILTER (WET)		
16	64145520	1	FILTER (DRY) (ONLY FOR 230V* EU MODEL)		

Wheels
Ruedas

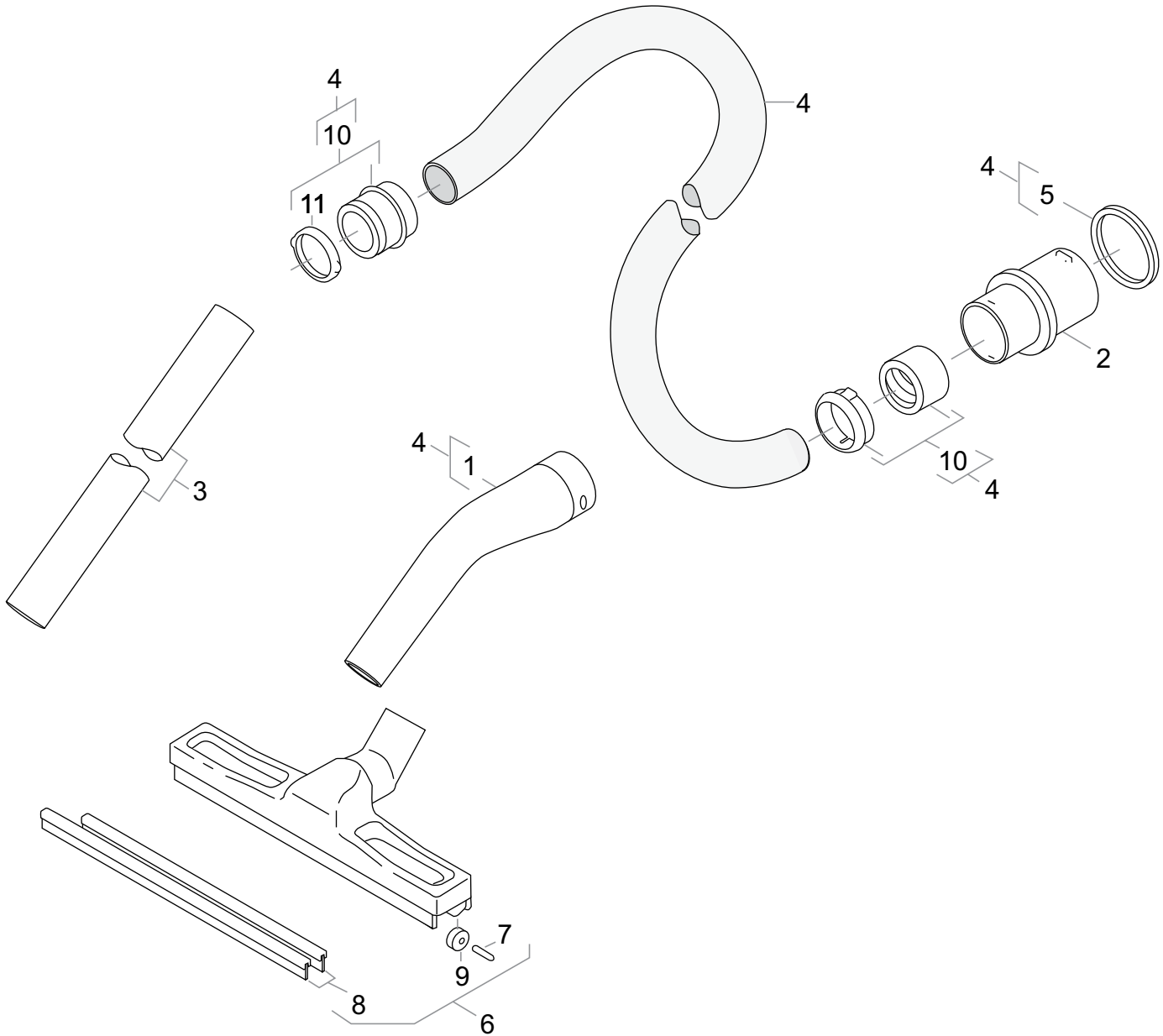


Wheels
Ruedas

REF	PART NO.	QTY	DESCRIPTION	SERIAL NO. FROM	NOTES
1	86345810	2	PLATE, RETAINER, AXLE		
2	86345800	1	AXLE, REAR, 5/8" DIA		
3	86219480	2	HUBCAP, 9.75" WHEEL		
4	86273750	10	SCR, 1/4-20 X 5/8 HHCS SS		
5	86226050	2	WHEEL, 9.75" X 1.5"		
6	86199430	2	CASTER, SWIVEL 4" 250# CPCTY		
7	86010730	2	WASHER, 5/8 X 1-3/16 FLAT SS		
8	86010630	10	WASHER, 1/4 X 5/8 FLAT SS		
9	86001660	2	HUBCAP, 5/8 SHAFT		

Hose and Wand / Manguera y Lanza

Models / Modelos 1.013-017.0, 1.013-022.0 and/y 1.013-019.0



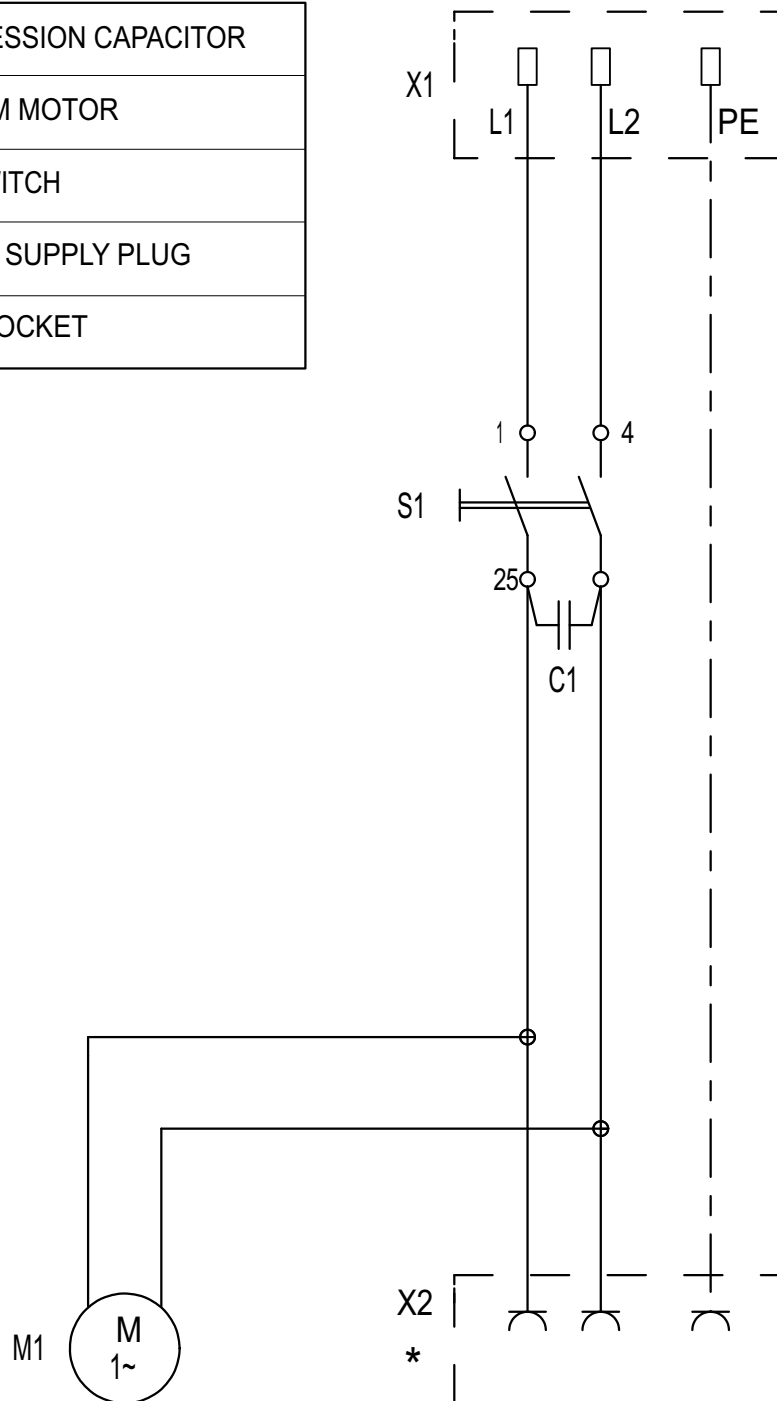
Hose and Wand / Manguera y Lanza
Models / Modelos 1.013-017.0, 1.013-022.0 and/y 1.013-019.0

REF	PART NO.	QTY	DESCRIPTION	SERIAL NO. FROM	NOTES
1	50317180	1	ELBOW		
2	54434640	1	HOSEBARB		
3	69021540	2	SUCTION TUBE		
4	44406260	1	SUCTION HOSE C DN35		COMPLETE
5	62732020	1	CORD CELLULAR RUBBER		
6	69065120	1	FLOOR TOOL DN35		COMPLETE
7	64370260	1	AXLE		
8	69032770	1	SET SUCTION LIPS		
9	64352920	1	ROLLER ONLY FOR		
10	26396900	1	REPAIR SET		
11	50317030	1	TENSION RING C35		

Wiring Diagram / Diagrama de Cableado

120V	50/60 Hz
220/240V	50/60 Hz

C1	SUPPRESSION CAPACITOR
M1	VACUUM MOTOR
S1	MAINSWITCH
X1	POWER SUPPLY PLUG
X2	PLUG SOCKET



North American Machine Warranty

Effective on all products shipped *AFTER* December 6, 2013



Bold Innovation. Expert Results.

Limited Warranty

Windsor warrants new machines against defects in material and workmanship under normal use and service to the original purchaser. Any statutory implied warranties, including any warranty of merchantability or fitness for a particular purpose, are expressly limited to the duration of this written warranty. Windsor will not be liable for any other damages, including but not limited to indirect or special consequential damages arising out of or in connection with the furnishing, performance, use or inability to use the machine. This remedy shall be the exclusive remedy of the buyer. This warranty gives you specific legal rights and you may also have other rights which vary from state-to-state. The warranty period is subject to the conditions stated below.

10 / 3 Warranty: 10 Years Polyethylene (PE) Housings, 3 Years Parts, and Service Labor

Subject to conditions outlined below, Windsor warrants rotationally molded PE housings and parts on all of its machines to be free from defects in material and workmanship, under normal use and service for ten (10) years to the original owner.

Under this warranty we guarantee the performance of non-polyethylene parts and components to be free from defects for up to three (3) years to the original end user. Parts replaced or repaired under this warranty are guaranteed for the remainder of the original warranty period. (See table below)

Service labor charges are covered for up to three (3) years from the date of purchase through authorized Windsor service provider. No travel coverage is extended for cord-electric models. See table below for each general product model warranty coverage.

Upright Vacuums:

Product	Non- PE Parts	Service Labor
Versamatic®/Flexamatic®/Axxess	Belts (as long as the original user owns the product)	Lifetime
	Vacuum Motor, Swivel Neck and Chassis	3 years
	Brush Motor, and Bag Housing	5 years
Sensor®	Belts (as long as the original user owns the product)	Lifetime
	Vacuum Motor and Chassis	2 years
	Bag Housing	5 years

Upright Vacuums Exceptions and Exclusions:

Normal wear items not limited to brushes, foot pedal, cords, clutches, filters, gaskets, hoses, and bearings will be warranted for manufacturing defects for 90 days from the purchase date. All other items are 1 year parts and labor.

All Other Products:

Product	PE Housing & Parts	Non- PE Parts	Service Labor	Travel
Rider / Stand up Scrubbers, Extractors	10 years	3 years or 2000 hours	3 years or 2000 hours	6 Months
Rider/ Stand-up Vacuum, Burnishers	10 years	3 years or 2000 hours	3 years or 2000 hours	6 Months
Rider Sweepers	10 years	3 years	3 years	6 Months
Walk Behind Scrubbers / Escalator Cleaner	10 years	3 years or 2500 hours	3 years or 2500 hours	6 Months
Walk Behind Sweepers	10 years	3 years	3 years	6 Months
Battery Burnishers	10 years	3 years	3 years	6 Months
Extractors / Compass	10 years	3 years	3 years	-
Polishers / Elec. Burnishers / GH / iCapsol Mini / TAZ	10 years	3 years	3 years	-
Wide Areas Vacuums	10 years	3 years	3 years	-
VacPac Vacuums / Recover 18	10 years	1 year	1 year	-
Auto Mop	10 years	3 years	3 years	-
Saber Blade 12/16	3 years	3 years	3 years	-
Air Movers / Dri-matic / Priza	1 year	1 year	1 year	-
Canister Vacuum / Wet/Dry Vacuum	1 year	1 year	1 year	-
Broom/Steamer	1 year	1 year	1 year	-
Propane Burnishers / Strippers	-	2 years	1 year	-

Windsor reserves the right to change its warranty policy without notice.

Windsor • 1351 West Stanford Avenue • Englewood, CO 80110 USA
Tel 800-444-7654 • Financial Service 800-804-6804 • Fax 866-271-0520 • email: info@windsorind.com • www.windsorind.com

A member of KÄRCHER North America

North American Machine Warranty

Effective on all products shipped *AFTER* December 6, 2013



Bold Innovation. Expert Results.

Product Exceptions & Exclusions

- Walk behind extractor brush motors, one year coverage
- Pump & pump motors one year coverage (excludes non-electric pumps which have three year coverage)
- Electrical components, one year coverage
- Tank bags carry a one year parts and service labor warranty.
- Vacuum motors (see separate upright vacuum coverage on page one)
- Saber Blade 12/16® tanks have three (3) years coverage (parts and labor).
- Trojan and Discover batteries and Lester Electrical chargers are handled directly with the manufacturer.
- The Eagle-Robin® engines have three (3) year manufacturer's warranty. The Honda® and Kawasaki® engines have two (2) year manufacturer's warranty. **NOTE:** The engine warranty is administered through the engine manufacturer and must be repaired at an authorized service center.

Normal wear items and accessories including, but not limited to, belts, brushes, carbon brushes, clutches, cords, filters, finishes, gaskets, hoses, light bulbs, squeegees, bearings, actuating cables, tires, and propane tanks will be warranted for manufacturing defects for 90-days from the purchase date.

The warranty commences on the purchase date by the original end user from an authorized Windsor agent, subject to proof of purchase. If proof of purchase cannot be identified, the warranty start date is 90 days after the date of sale to an authorized Windsor distributor. Parts replaced or repaired under warranty are guaranteed for the remainder of the original warranty period.

90 Day Warranty Extension Available

Upon receipt of the Machine Registration, Windsor will extend by 90 days, from the date of purchase, by the original end user, all items included under the one-year provision. This applies only to one-year items and does not include 90-day wear items.

This Warranty Shall Not Apply To:

1. Any product that has been subject to abuse, misuse, neglect or unauthorized alteration (including the use of incompatible or corrosive chemicals or overloading of capacity).
2. Products that have experienced shipping or freight damage.
3. Repairs necessary to correct any failure due to improper pre-delivery service and inspection by the selling dealer.
4. Excessive time for cleaning units in preparation for repair.
5. Any repairs resulting from poor initial service work or improper diagnosis.
6. Tune-up parts such as plugs, plug wires and condensers.
7. Any design alterations performed by an organization not authorized or specified by Windsor.
8. Trojan and Discover batteries and Lester Electrical chargers are handled directly with the manufacturer.
9. High-pressure washing.
10. Electrical components exposed to moisture.

If difficulty develops during the warranty period, contact the authorized Windsor agent from whom the product was purchased. Windsor Industries may elect to require the return of components to validate a claim. Any defective part to be returned must be shipped freight prepaid to an authorized Windsor Distributor/Service Center or to the Windsor factory.

To insure a valid vacuum warranty, optimal performances, and improved indoor air quality, use genuine **Windsor** filters and bags.

Use of Parts Not Approved By Windsor Will Void All Warranties

This warranty is valid only for all products Shipped/Sold *AFTER* December 6, 2013. A product sold before that date shall be covered by the limited warranty in effect at the date of sale to the original purchaser.

Windsor reserves the right to change its warranty policy without notice.

Windsor • 1351 West Stanford Avenue • Englewood, CO 80110 USA
Tel 800-444-7654 • Financial Service 800-804-6804 • Fax 866-271-0520 • email: info@windsorind.com • www.windsorind.com

A member of KÄRCHER North America

Garantie des appareils vendus en Amérique du Nord

En vigueur sur tous les produits expédiés APRÈS le 6 décembre 2013



Bold Innovation. Expert Results.

Garantie limitée

Windsor garantit à l'acheteur initial que ses nouveaux appareils sont exempts de défaut de matériaux ou de fabrication, pourvu qu'ils aient été utilisés et entretenus de façon normale. Toute garantie implicite légale, y compris toute garantie de qualité marchande et de convenance à des fins particulières, est expressément restreinte à la durée de la présente garantie écrite. Windsor ne pourra être tenu responsable des dommages, y compris mais non de façon limitative les dommages indirects ou consécutifs spéciaux découlant directement ou indirectement de l'approvisionnement, du rendement, de l'utilisation de l'appareil ou d'une incapacité à utiliser celui-ci. La présente garantie constitue le seul recours de l'acheteur et confère des droits légaux précis. Il se peut également que l'acheteur bénéficie d'autres droits qui varient d'un État ou d'une province à l'autre.

Garantie 10 ans / 3 ans : 10 ans sur les boîtiers en polyéthylène et 3 ans sur les autres pièces (pièces et main-d'œuvre)

Sous réserve des conditions énoncées ci-dessous, Windsor garantit à l'acheteur initial que les boîtiers en polyéthylène moulés par rotation et les pièces de tous ses appareils sont exempts de défaut de matériaux ou de fabrication pendant une période de dix (10) ans, pourvu qu'ils aient été utilisés et entretenus de façon normale.

En vertu de la présente garantie, Windsor garantit à l'acheteur initial que les pièces et les composantes en matière autre que le polyéthylène sont exemptes de défaut pendant une période maximale de trois (3) ans. Les pièces remplacées ou réparées au titre de la présente garantie sont garanties pour le reste de la période de garantie initiale (voir le tableau ci-dessous).

Les frais de main-d'œuvre sont couverts par l'entremise du fournisseur de services autorisé par Windsor pendant une période maximale de trois (3) ans à partir de la date d'achat. Les frais relatifs aux déplacements ne sont pas couverts pour les modèles munis d'un cordon électrique. Consultez le tableau ci-dessous pour connaître la couverture de la garantie pour chaque produit.

Aspirateurs verticaux

Produit	Pièces en matière autre que le polyéthylène	Main-d'œuvre
Versamatic®/Flexamatic®/Axxess	Courroies (tant que l'utilisateur initial possède le produit)	À vie
	Moteur de l'aspirateur, tête pivotante et châssis	3 ans
	Moteur du balai et chambre à filtres	5 ans
Sensor®	Courroies (tant que l'utilisateur initial possède le produit)	À vie
	Moteur de l'aspirateur et châssis	2 ans
	Chambre à filtres	5 ans

Exceptions et exclusions – Aspirateurs verticaux

Les pièces d'usures normales, ce qui comprend les balais, la pédale, les cordons, les mécanismes d'embrayage, les filtres, les joints d'étanchéité, les boyaux et les coussinets, sont garanties contre les défauts de fabrication pendant une période de 90 jours suivant la date d'achat. Tous les autres articles sont garantis pendant 1 an (pièces et main-d'œuvre).

Autres produits

Produit	Bâtis et pièces en polyéthylène	Pièces en matière autre que le polyéthylène	Main-d'œuvre	Déplacement
Laveur à brosse à conducteur porté/marchant,	10 ans	3 ans ou 2 000 heures	3 ans ou 2 000 heures	6 mois
Aspirateur à conducteur porté/marchant, polisseuses	10 ans	3 ans ou 2 000 heures	3 ans ou 2 000 heures	6 mois
Balayeuses à conducteur porté	10 ans	3 ans	3 ans	6 mois
Laveurs à brosse à conducteur accompagnant/ Nettoyeur pour escalier	10 ans	3 ans ou 2 500 heures	3 ans ou 2 500 heures	6 mois
Balayeuses à conducteur accompagnant	10 ans	3 ans	3 ans	6 mois
Polisseuses alimentées par batterie	10 ans	3 ans	3 ans	6 mois
Extracteurs/Compass	10 ans	3 ans	3 ans	-
Cireuses/Polisseuses électriques /Modèles GH/ Mini iCapsol/Modèles TAZ	10 ans	3 ans	3 ans	-
Aspirateurs pour grandes surfaces	10 ans	3 ans	3 ans	-
Aspirateurs VacPac/Recover 18	10 ans	1 an	1 an	-
Vadrouille automatique	10 ans	3 ans	3 ans	-
Saber Blade 12/16	3 ans	3 ans	3 ans	-
Appareils de ventilation/Dri-matic/Priza	1 an	1 an	1 an	-

Windsor se réserve le droit de modifier sa politique de garantie sans préavis.

Windsor • 1351 West Stanford Avenue • Englewood, CO 80110 USA
Tél. : 1-800-444-7654 • Services financiers : 1-800-804-6804 • Téléc. : 1-866-271-0520 • Courriel : info@windsorind.com •
www.windsorind.com

Um membre de KÄRCHER North America

Garantie des appareils vendus en Amérique du Nord

En vigueur sur tous les produits expédiés *APRÈS* le 6 décembre 2013



Bold Innovation. Expert Results.

Aspirateur-chariot/Aspirateur industriel eaux et poussières	1 an	1 an	1 an	-
Balai/Vaporisateur	1 an	1 an	1 an	-
Polisseuses au propane/balayeurs	-	2 ans	1 an	-

Produits faisant l'objet d'exceptions et d'exclusions

- Moteurs de l'extracteur et du balai des appareils à conducteur accompagnant – couverture d'un (1) an.
- Pompe et moteur de la pompe – couverture d'un (1) an (à l'exclusion des pompes non électriques qui sont couvertes pendant trois (3) ans)
- Composantes électriques – couverture d'un (1) an.
- Sacs réservoirs – couverture d'un (1) an (pièces et main-d'œuvre).
- Moteurs d'aspirateurs (voir la couverture distincte des appareils verticaux sur la page précédente).
- Réservoirs des appareils Saber Blade 12/16^{MD} – couverture de trois (3) ans (pièces et main-d'œuvre).
- Pour ce qui est des batteries Trojan et Discover et des chargeurs Lester Electrical, les utilisateurs doivent traiter directement avec le fabricant.
- Moteurs Eagle-Robin^{MD} – garantie de trois (3) ans du fabricant. Les moteurs Honda^{MD} et Kawasaki^{MD} sont couverts par une garantie du fabricant de deux (2) ans. **NOTE:** La garantie est prise en charge par le fabricant du moteur, lequel doit être réparé à un centre de service autorisé.

Les pièces d'usures normales et les accessoires, y compris mais non de façon limitative les courroies, les balais, les balais de carbone, les mécanismes d'embrayage, les cordons, les filtres, les bagues, les joints d'étanchéité, les boyaux, les ampoules électriques, les racloirs, les coussinets, les câbles de commande, les pneus et les réservoirs à propane sont garantis contre les défauts de fabrication pendant 90 jours à partir de la date d'achat.

La période de garantie débute à la date à laquelle l'utilisateur initial a effectué l'achat auprès d'un agent autorisé de Windsor, sous réserve de la remise d'une preuve d'achat. Si une preuve d'achat ne peut être fournie, la période de garantie débute 90 jours suivant la date à laquelle le distributeur autorisé de Windsor a vendu le produit. Les pièces remplacées ou réparées au titre de la présente garantie sont garanties pour le reste de la période de garantie initiale.

Possibilité de prolonger la période de garantie de 90 jours

À la réception du statut d'enregistrement de l'appareil, Windsor prolongera la période de garantie de 90 jours suivant la date à laquelle l'utilisateur initial a effectué l'achat de l'appareil, y compris toutes les pièces couvertes en vertu du délai prescrit d'un an. Cette disposition s'applique uniquement aux pièces couvertes pendant une période d'un an et ne s'applique pas aux pièces d'usure normale garanties pendant une période de 90 jours.

La présente garantie ne s'applique pas à ce qui suit :

1. Tout produit ayant fait l'objet d'une utilisation abusive, d'une mauvaise utilisation, de négligence ou d'une modification non autorisée (y compris l'utilisation de produits chimiques non compatibles ou corrosifs ou toute pièce ayant subi une surcharge).
2. Les produits qui ont subi des dommages lors de l'expédition ou du transport.
3. Les réparations visant à corriger toute défectuosité causée par le service préalable à la livraison et l'inspection du produit qui n'ont pas été effectués correctement par le dépositaire.
4. Un délai trop long s'est écoulé entre le nettoyage des pièces et l'envoi de celles-ci au service de réparation.
5. Toute réparation attribuable à un mauvais service de maintenance ou à un diagnostic inadéquat.
6. Mise au point de certaines pièces telles que les fiches, les fils de connexion et les condenseurs.
7. Toute modification de la conception de l'appareil effectuée par une organisation non autorisée ou spécifiée par Windsor.
8. Pour ce qui est des batteries Trojan et Discover et des chargeurs Lester Electrical, les utilisateurs doivent traiter directement avec le fabricant.
9. Le lavage à haute pression.
10. Les composantes électriques exposées à l'humidité.

Si des problèmes surviennent durant la période de garantie, veuillez communiquer avec l'agent autorisé de Windsor qui a vendu le produit. Windsor Industries peut décider d'exiger le retour des composantes pour valider une réclamation. Toute pièce défectueuse à retourner doit être expédiée port payé à un distributeur ou à un centre de service autorisé par Windsor ou à une usine de Windsor.

Pour assurer la validité de la garantie, le rendement optimal de l'appareil et une meilleure qualité d'air ambiante, il est recommandé d'utiliser les filtres et les sacs **Windsor**.

L'utilisation de pièces non approuvées par Windsor annulera toutes les garanties

La présente garantie est uniquement valable pour les produits expédiés ou vendus *APRÈS* le 6 décembre 2013. Tout produit vendu avant cette date sera couvert par la garantie limitée qui prenait effet à partir de la date d'achat du produit par l'acheteur initial.

Windsor se réserve le droit de modifier sa politique de garantie sans préavis.

Windsor • 1351 West Stanford Avenue • Englewood, CO 80110 USA
Tél. : 1-800-444-7654 • Services financiers : 1-800-804-6804 • Téléc. : 1-866-271-0520 • Courriel : info@windsorind.com • www.windsorind.com

Garantía de máquina de América del Norte

Vigente para todos los productos enviados **DESPUÉS** del 06.12.13



Bold Innovation. Expert Results.

Garantía limitada

Windsor garantiza al comprador original las nuevas máquinas contra defectos en los materiales y en la fabricación, en condiciones de funcionamiento y uso normales. Todas las garantías implícitas establecidas, incluyendo cualquier garantía de comercialización o adecuación para un propósito en particular, están expresamente limitadas a la duración de esta garantía escrita. Windsor no será responsable de cualquier otro daño, que incluya, pero no se limite a, daños indirectos o especiales que sean el resultado de, o que tengan relación con el suministro, el funcionamiento, el uso o a la incapacidad de utilizar la máquina. Cualquier reparación resultante será exclusiva responsabilidad del comprador. *Esta garantía le otorga derechos legales específicos y usted también puede tener otros derechos que varían de estado a estado.* El período de garantía está sujeto a las condiciones descritas a continuación.

Garantía 10 / 3: 10 años para los alojamientos de polietileno (PE), 3 años para las piezas y mano de obra (servicio de reparaciones y mantenimiento)

Sujeto a las condiciones que se detallan a continuación, Windsor otorga al comprador original una garantía por los alojamientos de PE con moldes rotativos y las piezas de todas sus máquinas contra defectos en los materiales y en la fabricación en condiciones de uso y servicio normales durante diez (10) años.

Windsor, conforme a los términos y condiciones de la presente garantía, garantiza al usuario final original el funcionamiento de piezas y componentes sin polietileno contra defectos por un periodo de hasta tres (3) años. Las piezas reemplazadas o reparadas conforme a los términos y condiciones de la presente garantía están garantizadas por el resto del periodo de la garantía original. (Consulte la tabla que aparece a continuación)

Los costos por el servicio de mano de obra están cubiertos por hasta (3) años desde la fecha de compra a través de un proveedor de servicio técnico autorizado de Windsor. No se extiende ninguna cobertura por gastos de viaje para los modelos eléctricos con cable. Consulte la tabla que aparece a continuación para obtener más información sobre la cobertura de la garantía para cada modelo de producto.

Aspiradoras verticales:

Producto	Piezas fabricadas sin polietileno	Servicio de mano de obra
Versamatic®/Flexamatic®/Axxess	Correas (siempre y cuando el usuario original tenga el producto) Vida útil años	1 año
	Motor de aspiración, cuello giratorio y chasis	3 años
	Motor del cepillo y alojamiento de la bolsa	5 años
Sensor®	Correas (siempre y cuando el usuario original tenga el producto) Vida útil años	1 año
	Motor de aspiración y chasis	2 años
	Alojamiento de la bolsa	5 años

Excepciones y exclusiones para aspiradoras verticales:

Los productos que están sujetos a desgaste normal sin que esté limitado a cepillos, pedal de pie, cables, embragues, filtros, juntas, mangueras y cojinetes estarán cubiertos por una garantía contra defectos de fabricación durante 90 días desde la fecha de compra. Todos los otros productos están cubiertos por 1 año de garantía para las piezas y servicio de mano de obra.

Todos los otros productos:

Producto	Alojamiento & Piezas de polietileno	Piezas fabricadas sin polietileno	Servicio de mano de obra	Gastos de viaje
Fregadoras a bordo ("Rider") / de pie, extractores	10 años	3 años o 2000 horas	3 años o 2000 horas	6 meses
Aspiradora a bordo ("Rider") / de pie, bruñidoras	10 años	3 años o 2000 horas	3 años o 2000 horas	6 meses
Barredoras a bordo ("Rider")	10 años	3 años	3 años	6 meses
Fregadoras a pie / Limpiador de escalera	10 años	3 años o 2500 horas	3 años o 2500 horas	6 meses
Barredoras a pie	10 años	3 años	3 años	6 meses
Bruñidoras a batería	10 años	3 años	3 años	6 meses
Extractores / Compass	10 años	3 años	3 años	-
Pulidoras / Bruñidoras eléctricas /GH / iCapsol Mini / TAZ	10 años	3 años	3 años	-
Aspiradoras para áreas amplias	10 años	3 años	3 años	-
Aspiradoras VacPac / Recover 18	10 años	1 año	1 año	-
Estropajo automático	10 años	3 años	3 años	-
Saber Blade 12/16	3 años	3 años	3 años	-

Windsor se reserva el derecho a cambiar los términos y condiciones de las garantías sin previo aviso

Windsor • 1351 West Stanford Avenue • Englewood, CO 80110 USA
Tel 800-444-7654 • Financial Service 800-804-6804 • Fax 866-271-0520 • email: info@windsorind.com • www.windsorind.com

Un miembro de KÄRCHER North America

Garantía de máquina de América del Norte

Vigente para todos los productos enviados **DESPUÉS** del 06.12.13



Bold Innovation. Expert Results.

Garantía limitada

Windsor garantiza al comprador original las nuevas máquinas contra defectos en los materiales y en la fabricación, en condiciones de funcionamiento y uso normales. Todas las garantías implícitas establecidas, incluyendo cualquier garantía de comercialización o adecuación para un propósito en particular, están expresamente limitadas a la duración de esta garantía escrita. Windsor no será responsable de cualquier otro daño, que incluya, pero no se limite a, daños indirectos o especiales que sean el resultado de, o que tengan relación con el suministro, el funcionamiento, el uso o a la incapacidad de utilizar la máquina. Cualquier reparación resultante será exclusiva responsabilidad del comprador. *Esta garantía le otorga derechos legales específicos y usted también puede tener otros derechos que varían de estado a estado.* El período de garantía está sujeto a las condiciones descritas a continuación.

Garantía 10 / 3: 10 años para los alojamientos de polietileno (PE), 3 años para las piezas y mano de obra (servicio de reparaciones y mantenimiento)

Sujeto a las condiciones que se detallan a continuación, Windsor otorga al comprador original una garantía por los alojamientos de PE con moldes rotativos y las piezas de todas sus máquinas contra defectos en los materiales y en la fabricación en condiciones de uso y servicio normales durante diez (10) años.

Windsor, conforme a los términos y condiciones de la presente garantía, garantiza al usuario final original el funcionamiento de piezas y componentes sin polietileno contra defectos por un periodo de hasta tres (3) años. Las piezas reemplazadas o reparadas conforme a los términos y condiciones de la presente garantía están garantizadas por el resto del periodo de la garantía original. (Consulte la tabla que aparece a continuación)

Los costos por el servicio de mano de obra están cubiertos por hasta (3) años desde la fecha de compra a través de un proveedor de servicio técnico autorizado de Windsor. No se extiende ninguna cobertura por gastos de viaje para los modelos eléctricos con cable. Consulte la tabla que aparece a continuación para obtener más información sobre la cobertura de la garantía para cada modelo de producto.

Aspiradoras verticales:

Producto	Piezas fabricadas sin polietileno		Servicio de mano de obra
Versamatic®/Flexamatic®/Axxess	Correas (siempre y cuando el usuario original tenga el producto)	Vida útil años	1 año
	Motor de aspiración, cuello giratorio y chasis	3 años	3 años
	Motor del cepillo y alojamiento de la bolsa	5 años	5 años
Sensor®	Correas (siempre y cuando el usuario original tenga el producto)	Vida útil años	1 año
	Motor de aspiración y chasis	2 años	2 años
	Alojamiento de la bolsa	5 años	5 años

Excepciones y exclusiones para aspiradoras verticales:

Los productos que están sujetos a desgaste normal sin que esté limitado a cepillos, pedal de pie, cables, embragues, filtros, juntas, mangueras y cojinetes estarán cubiertos por una garantía contra defectos de fabricación durante 90 días desde la fecha de compra. Todos los otros productos están cubiertos por 1 año de garantía para las piezas y servicio de mano de obra.

Todos los otros productos:

Producto	Alojamiento & Piezas de polietileno	Piezas fabricadas sin polietileno	Servicio de mano de obra	Gastos de viaje
Fregadoras a bordo ("Rider") / de pie, extractores	10 años	3 años o 2000 horas	3 años o 2000 horas	6 meses
Aspiradora a bordo ("Rider") / de pie, bruñidoras	10 años	3 años o 2000 horas	3 años o 2000 horas	6 meses
Barredoras a bordo ("Rider")	10 años	3 años	3 años	6 meses
Fregadoras a pie / Limpiador de escalera	10 años	3 años o 2500 horas	3 años o 2500 horas	6 meses
Barredoras a pie	10 años	3 años	3 años	6 meses
Bruñidoras a batería	10 años	3 años	3 años	6 meses
Extractores / Compass	10 años	3 años	3 años	-
Pulidoras / Bruñidoras eléctricas /GH / iCapsol Mini / TAZ	10 años	3 años	3 años	-
Aspiradoras para áreas amplias	10 años	3 años	3 años	-
Aspiradoras VacPac / Recover 18	10 años	1 año	1 año	-
Estropajo automático	10 años	3 años	3 años	-
Saber Blade 12/16	3 años	3 años	3 años	-

Windsor se reserva el derecho a cambiar los términos y condiciones de las garantías sin previo aviso

Windsor • 1351 West Stanford Avenue • Englewood, CO 80110 USA

Tel 800-444-7654 • Financial Service 800-804-6804 • Fax 866-271-0520 • email: info@windsorind.com • www.windsorind.com

Un miembro de KÄRCHER North America



86350500 WET DRY VACUUM