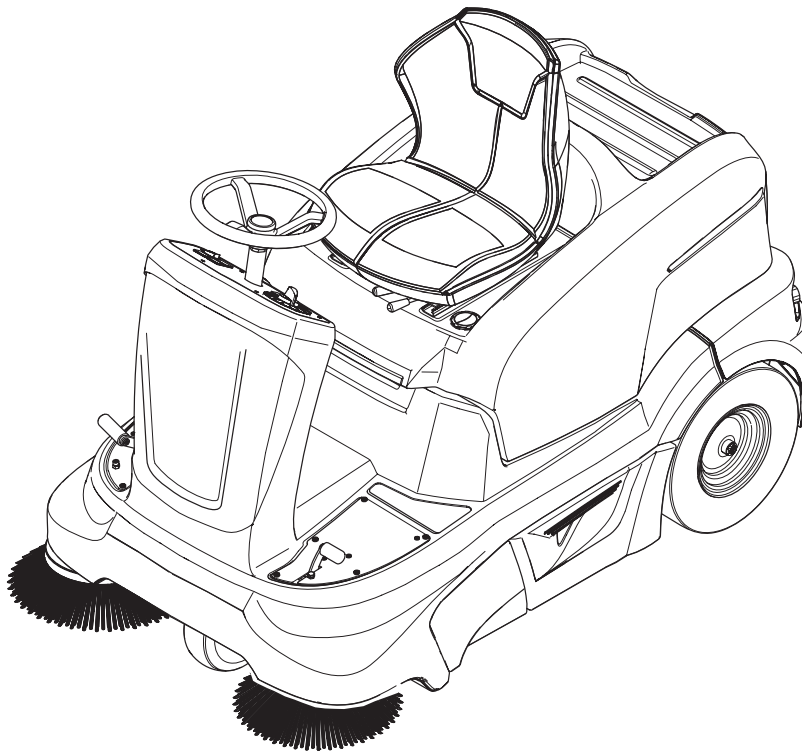




# RRB 360



|          |    |
|----------|----|
| English  | 3  |
| Français | 20 |
| Español  | 38 |





## Operator Qualifications

Only trained and authorized persons shall be permitted to operate a powered unit. Operators of powered units shall be qualified as to visual, auditory, physical, and mental ability to operate the equipment safely according to the following points.

## Operator Training

- Personnel who have not been trained to operate powered units may operate a unit for the purposes of training only, and only under the direct supervision of the trainer. This training should be conducted in an area away from other units, obstacles, and pedestrians.
- The operator training program should include the user's policies for the site where the trainee will operate the unit, the operating conditions for that location, and the specific unit the trainee will operate. The training program shall be presented to all new operators regardless of previous experience.

The training program shall inform the trainee that:

- A The primary responsibility of the operator is to use the unit safely following the instructions given in the training program.
- B Unsafe or improper operation of a powered unit can result in: death or serious injury to the operator or others; damage to the powered unit or other property.

The training program shall emphasize safe and proper operation to avoid injury to the operator and others and prevent property damage, and shall cover the following areas:

- A Fundamentals of the powered unit(s) the trainee will operate, including:
  - (1) characteristics of the powered unit(s), including variations between the units in the workplace;
  - (2) similarities and differences from automobiles;
  - (3) significance of nameplate data, warnings, and instructions affixed to the unit;
  - (4) operating instructions and warnings in the operating manual for the unit, and instructions for inspection and maintenance to be performed by the operator;
  - (5) type of motive power and its characteristics;
  - (6) method of steering;
  - (7) braking method and characteristics;
  - (8) visibility, forward and reverse;
  - (9) stability characteristics with and without load, with and without attachments;
  - (10) controls-location, function, method of operation, identification of symbols;
  - (11) battery charging;
  - (12) guards and protective devices for the specific type of unit;
  - (13) other characteristics of the specific unit;

- B Operating environment and its effect on unit operation, including:
  - (1) floor or ground conditions including temporary conditions;
  - (2) ramps and inclines;
  - (3) battery charging facilities;
  - (4) narrow aisles, doorways, overhead wires and piping, and other areas of limited clearance;
  - (5) areas where the unit may be operated near other powered units, other vehicles, or pedestrians;
  - (6) operation near edge of dock or edge of improved surface;
  - (7) other special operating conditions and hazards which may be encountered.
- C Operation of the powered unit, including:
  - (1) proper preshift inspection and approved method for removing from service a unit which is in need repair;
  - (2) parking and shutdown procedures;
  - (3) other special operating conditions for the specific application.
- D Operating safety rules and practices, including:
  - (1) provisions of the section „OPERATING SAFETY RULES AND PRACTICES“ in this document.
  - (2) other rules, regulations, or practices specified by the employer at the location where the unit will be used.
- E Operational training practice, including:
  - (1) if feasible, practice in the operation of a powered unit shall be conducted in an area separate from other workplace activities and personnel;
  - (2) training practice shall be conducted under the supervision of the trainer;
  - (3) training practice shall include the actual operation or simulated performance of all operating tasks such as maneuvering, traveling, stopping, starting, and other activities under the conditions which will be encountered in the use of the unit.

## Testing, Retraining, and Enforcement

- A During training, performance and oral and/or written tests shall be given by the employer to measure the skill and knowledge of the operator in meeting the requirements of the Standard. Employers may delegate such testing to others but shall remain responsible for the testing. Appropriate records shall be kept.
- B Operators shall be retrained when new equipment is introduced, existing equipment is modified, operating conditions change, or an operator's performance is unsatisfactory.
- C The user shall be responsible for enforcing the safe use of the powered unit according to the provisions of this manual.

NOTE: Information on operator training is available from such sources as powered unit manufacturers, government agencies dealing with employee safety, trade organizations of users of powered units, public and private organizations, and safety consultants.

## OPERATING SAFETY RULES AND PRACTICES

### Operator Responsibility

- Safe operation is in the responsibility of the operator.
- The operator shall develop safe working habits and also be aware of hazardous conditions in order to protect himself, other personnel, the unit, and other material.
- The operator shall be familiar with the operation and function of all controls and instruments before undertaking to operate the unit.
- Before operating the unit, operators shall have read and be familiar with the operator's manual for the particular unit being operated and they shall also abide by the safety rules and practices in the following paragraphs.
- Before operating any unit, the operator shall be familiar with unusual operating conditions which may require additional safety precautions or special operating instructions.

### General

Before starting to operate the unit:

- A be in operating position;
- B place directional controls in neutral;
- C turn switch to ON position.
- Do not start or operate the unit, any of its functions or attachments, from any place other than from the designated operator's position.
- Keep hands and feet inside the operator's designated area.

Understand unit limitations and operate the unit in a safe manner so as not to cause injury to personnel. Safeguard pedestrians at all times.

- A Do not drive a unit up to anyone standing in front of an object.
- B Ensure that personnel stand clear of rear swing area before conducting turns and maneuvers.
- C Exercise particular care at cross aisles, doorways, and other locations where pedestrians may step into the path of travel of the unit.
- Do not permit passengers to ride on powered units unless a safe place to ride has been provided by the manufacturer.
- A powered unit is attended when the operator is less than 25 ft (7.6 m) from the unit, which remains in his view.

- A powered unit is unattended when the operator is more than 25 ft (7.6 m) from the unit, which remains in his view, or whenever the operator leaves the unit and it is not in his view.

Before leaving the operator's position:

- A bring the unit to a complete stop;
- B place the directional controls in neutral;
- C apply the parking brake;

In addition, when leaving the unit unattended:

- A stop the engine or turn off the controls;
  - B if the unit must be on an incline, block the wheels.
- Maintain a safe distance from the edge of ramps, platforms, and other similar working surfaces.
  - When powered units are driven on and off highway trucks or trailers, the brakes on the highway trucks or trailers shall be applied and wheel chocks or other positive mechanical means shall be used to prevent unintentional movement of highway trucks and trailers.
  - When powered units are driven on and off semitrailers that are not coupled to a tractor, supports may be needed to prevent upending or corner dipping.
  - Care shall be taken not to contact overhead installations such as lights, wiring, pipes, sprinkler systems, etc.
  - Report all accidents involving personnel, building structures, and equipment to the supervisor or as directed.
  - Do not add to, or modify the unit.
  - Do not block access to fire aisles, stairways or fire equipment.

### Traveling

- Observe all traffic regulations including authorized plant speed limits. Under normal traffic conditions, keep to the right. Maintain a safe distance, based on speed of travel, from the unit ahead; keep the unit under control all times.
- Yield the right of way to pedestrians and emergency vehicles such as ambulances and fire trucks.
- Do not pass another unit traveling in the same direction at intersections, blind spots, or at other dangerous locations.
- Slow down and sound the audible warning device(s) at cross aisles and other locations where vision is obstructed.
- Cross railroad tracks at an angle whenever possible. Do not park closer than 6 ft (1800 mm) to the nearest rail of a railroad track.
- Keep a clear view of the path of travel and observe for other traffic, personnel, and safe clearances.
- Ascend or descend grades slowly, and with caution. Avoid turning, if possible, and use extreme caution on grades, ramps, or inclines; normally travel straight up and down.
- Under all travel conditions, operate the unit at a speed that will permit it to be brought to a stop in a safe manner.

- Make starts, stops, turns, or direction reversals in a smooth manner so as not shift load and/or overturn the unit.
- Do not indulge in stunt driving or horseplay.
- Slow down for wet and slippery floors.
- Before driving over a dockboard or bridge plate, be sure that it is properly secured. Drive carefully and slowly across the dockboard or bridge plate, and never exceed its rated capacity.
- Do not drive units onto any elevator unless specially authorized to do so. Do not exceed the capacity of the elevator. Approach elevators slowly, and then enter squarely after the elevator car is properly leveled. Once on the elevator, neutralize the controls, shut off power, and set brakes. It is advisable that all other personnel leave the elevator before the unit is allowed to enter or leave.
- When negotiating turns, reduce speed to a safe level consistent with the operating environment. Make the turns smoothly.

The operation of a counterbalanced, center control, high lift unit with a sit-down, non-elevating operator requires special safety considerations, as follows:

- A An unit may tip over if an operator fails to slow down to a safe speed before making turns. Indications that an unit is being driven at an excessive speed during turning maneuvers include:
  - (1) tire skidding;
  - (2) unit side sway;
  - (3) wheel lift; and
  - (4) the need to grip the steering wheel tightly to keep from sliding out of the seat.
- B The likelihood of lateral tipover is increased under any of the following conditions, or combinations of them:
  - (1) braking or accelerating sharply while turning;
  - (2) traveling on an uneven surface;
  - (3) traveling at excessive speed.
- C Tipping forward can occur and its likelihood is increased under the following condition: hard braking while traveling forward.
- D The operator should stay with the unit if it falls off a loading dock or ramp. The operator should hold on firmly and lean away from the point of impact.
- E Where the environment presents a severe hazard, or there are other unusual operating conditions, the user may need to establish different and/or additional safety precautions and special operating instructions appropriate for the conditions.

### Operator care of the unit

At the beginning of each shift and before operating the unit, check its condition, giving special attention to the following:

- A condition of tires

- B if pneumatic tires, check inflation pressures
- C warning and safety devices
- D lights
- E battery
- F controls
- G chains and cables
- H limit switches
- I steering mechanism
- J additional items or special equipment as specified by the user and/or manufacturer

If the unit is found to be in need of repair or in any way unsafe, or contributes to an unsafe condition, the matter shall be reported immediately to the user's designated authority, and the unit shall not be operated until it has been restored to safe operating condition.

- If during operation the unit becomes unsafe in any way, the matter shall be reported immediately to the user's designated authority, and the unit shall not be operated until it has been restored to safe operating condition.
- Do not make repairs or adjustments unless specifically authorized to do so.
- Do not use open flames when checking electrolyte level in storage batteries.

## MAINTENANCE AND REBUILD PRACTICES

- Operation of the unit may be hazardous if maintenance is neglected or repairs, rebuilds, or adjustments are not performed in accordance with the manufacturer's design criteria. Therefore, maintenance facilities (on or off premises), trained personnel, and detailed procedures shall be provided.
- Parts manuals and maintenance manuals may be obtained from the unit manufacturer.
- In unusual cases not covered by the manuals referred above, consult the unit manufacturer.

Maintenance and inspection of the unit shall be performed in conformance with the following practices:

- A a schedules planned maintenance, lubrication, and inspection system shall be followed; consult the manufacturer's recommendations;
- B only trained and authorized personnel shall be permitted to maintain, repair, adjust, and inspect the unit, and in accordance with manufacturer's specifications.

When lifting units for repair or inspection, units shall be lifted in a safe, secure, stable manner. Removal of components such as counterweights or uprights will change the center of gravity and may create an unstable condition.

Before starting inspection and repair of the unit:

- A raise drive wheels free of floor or disconnect battery and use chocks or other positive unit positioning devices;

- B block chassis before working on them;
- C disconnect battery before working on the electrical system;
- D the charger connector shall be plugged only into the battery connector and never into the unit connector.

Operation of the unit to check performance shall be conducted in an authorized area where safe clearance exists.

- A Before starting to operate the unit:
  - (1) be in operating position;
  - (2) place directional controls in neutral;
  - (3) turn switch to ON position;
  - (4) check function of steering, warning devices, and breaks;
- B Before leaving the unit:
  - (1) stop unit;
  - (2) place directional controls in neutral;
  - (3) stop the engine or turn off power;
  - (4) turn off the control circuit;
  - (5) if the unit must be left on an incline, block the wheels.
- Avoid fire hazards and have fire protection equipment present in the work area. Do not use any open flame to check the level or to check for leakage of any fluid, especially battery electrolyte. Do not use open pans of fuel or flammable cleaning fluids for cleaning parts.
- Properly ventilate work area, vent exhaust fumes, and keep shop clean and dry.
- Brakes, steering mechanisms, control mechanisms, warning devices, articulating axle stops, and frame members shall be carefully and regularly inspected and maintained in safe operating condition.

## FIRE SAFETY STANDARD

### Maintenance

- Any unit not in safe operating condition shall be removed from service.
- **Precautions.** Repairs shall not be made in Class I, Class II, and Class III locations.  
Repairs to the electrical system of battery-powered units shall be performed only after the battery has been disconnected.
- **Operating Temperature.** Where temperature of any part of the unit is found to be in excess of its normal operating temperature and creates a hazardous condition, the unit shall be removed from service and shall not be returned to service until the cause for such overheating has been eliminated.
- **Fire Prevention.** The unit shall be kept in a clean condition and reasonably free of lint, excess oil, and grease. Noncombustible agents are preferred for cleaning the unit. Flammable liquids [those having flash points at or above 100°F (37,8°C)] are not allowed. Precautions regarding toxicity, ventilation, and fire hazard shall be appropriate for the agent or solvent used.

- Nameplate Visibility: The unit type designations as shown on the nameplate and the type markers shall not be covered over with paint so that their identification information is obscured.
- The unit shall not be used in classified areas.

### Changing and Charging Storage Batteries

- This section shall apply to batteries used in electric units. The two types of batteries commonly used are lead and nickel-iron. They contain corrosive chemical solutions, either acid or alkali, and, therefore, present a chemical hazard. While being charged, they give off hydrogen and oxygen, which, in certain concentrates, are explosive.

Battery-charging installations shall be located in areas designated for that purpose; such areas shall be kept free of extraneous combustible materials. Facilities shall be provided for the following:

- A Flushing spilled electrolyte;
- B Fire protection;
- C Protecting charging apparatus from damage by trucks; and
- D Adequate ventilation for dispersal of fumes from gassing batteries.


Where on-board chargers are used, charging shall be accomplished at locations designated for that purpose, taking into account the electrical requirements of the charger and facilities for fire protection.

*Exception: Flushing facilities shall not be required if charging is accomplished without removing the battery from the vehicle.*

- Where handling acid concentrates greater than 50 percent acid (above 1.400 specific gravity), an eye-wash fountain shall be provided.
- A conveyor, overhead hoist, or equivalent material handling equipment shall be provided for handling batteries.
- Chain hoists shall be equipped with load-cabin containers. Where a hand hoist is used, uncovered batteries shall be covered with a sheet of plywood or other nonconducting material to prevent the hand chain from shorting on cell connectors or terminals. A properly insulated spreader bar shall be used with any overhead hoist.
- Reinstalled or new batteries shall meet or exceed the battery type marked on the unit. Reinstalled batteries shall be positioned properly and secured in the unit.
- A carboy tilter or siphon shall be provided where acid in carboys is used. When diluting concentrated sulfuric acid to make up electrolyte, the acid ALWAYS shall be added to the water - not the reverse. Battery maintenance personnel shall wear protective clothing such as eye protection, long sleeves, and gloves.

*Exception: Removal and replacement of batteries shall not require the use of protective clothing.*

- Electrical installations shall be in accordance with NFPA 70, *National Electrical Code*, and any local ordinances.
- Trained and authorized personnel shall change or charge batteries.
- Units shall be positioned properly and brakes shall be applied before attempting to change or charge batteries.
- Where charging batteries, the vent caps shall be kept in place to avoid electrolyte spray. Care shall be taken to ensure that vent caps are functioning. The battery (or compartment cover(s)) shall be open to dissipate heat and gas.
- Smoking shall be prohibited in the charging area.
- Precautions shall be taken to prevent open flames, sparks, or electric arcs in battery-charging areas.
- Tools and other metallic objects shall be kept away from the tops of uncovered batteries.

 Please read and comply with these instructions prior to the initial operation of your appliance. Retain these operating instructions for future reference or for subsequent possessors. Before first start-up it is definitely necessary to read the safety indications Nr. 5.956-250!

## Contents

|  |    |
|--|----|
| Safety instructions                              | 6  |
| Function   | 6  |
| Proper use                                       | 7  |
| Environmental protection                         | 7  |
| Operating and Functional Elements Before Startup | 8  |
| Start up   | 10 |
| Operation  | 11 |
| Shutdown   | 11 |
| Maintenance and care                             | 13 |
| Accessories                                      | 13 |
| Troubleshooting                                  | 16 |
| Technical specifications                         | 17 |
|  | 18 |

## Safety instructions

### General notes

Your sales outlet should be informed about any transit damage noted when unpacking the product.

- Warning and information plates on the machine provide important directions for safe operation.
- In addition to the information contained in the operating instructions, all statutory safety and accident prevention regulations must be observed.

### Drive mode

#### **Danger**

*Risk of injury!*

*Danger of tipping if gradient is too high.*

- *The gradient in the direction of travel should not exceed 12%.*

*Danger of tipping when driving round bends at high speed.*

- *Drive slowly when cornering.*

*Danger of tipping on unstable ground.*

- *Only use the machine on sound surfaces.*

*Danger of tipping with excessive sideways tilt.*

- *The gradient perpendicular to the direction of travel should not exceed 12%.*
- It is important to follow all safety instructions, rules and regulations applicable for driving motor vehicles.
- The operator must use the appliance properly. He must consider the local conditions and must pay attention to third parties, in particular children, when working with the appliance.
- The appliance may only be used by persons who have been instructed in handling the appliance or have proven qualification and expertise in operating the appliance or have been explicitly

assigned the task of handling the appliance.

- The appliance must not be operated by children, young persons or persons who have not been instructed accordingly.
- It is strictly prohibited to take co-passengers.
- Ride-on appliances may only be started after the operator has occupied the driver's seat.
- ➔ Please remove the key, when not in use, to avoid unauthorised use of the appliance.
- ➔ Never leave the machine unattended so long as the engine is running. The operator may leave the appliance only when the engine has come to a standstill, the appliance has been protected against accidental movement, and the key has been removed.

### Battery-operated machines

#### PROPOSITION 65

#### WARNING

Battery posts, terminals, and related accessories contain lead and lead compounds, chemicals known to the State of California to cause cancer and reproductive harm. Batteries also contain other chemicals known to the State of California to cause cancer. Wash hands after handling.

#### Note

*Warranty claims will be entertained only if you use batteries and chargers recommended by Windsor.*

- Always follow the instructions of the battery manufacturer and the charger manufacturer. Please follow the statutory requirements for handling and disposing batteries.
- Never leave the batteries in a discharged state; recharge them as soon as possible.
- Always keep the batteries clean and dry to avoid battery drain. Protect the batteries and avoid contact with impurities such as metal dust.
- Do not place tools or similar items on the battery. Risk of short-circuit and explosion.
- Do not work with open flames, generate sparks or smoke in the vicinity of a battery or a battery charging room. Danger of explosion.
- Do not touch hot parts of the machine such as the drive motor (risk of burns).
- Be careful while handling battery acid. Follow the respective safety instructions!
- Used batteries are to be disposed of properly.

### Accessories and Spare Parts

#### **Danger**

*To avoid risks, all repairs and replacement of spare parts may only be carried out by authorized customer service personnel.*

- Only use accessories and spare parts which have been approved by the manufacturer. The exclusive use of original accessories and original spare parts ensures that the appliance can be operated safely and troublefree.
- At the end of the operating instructions you will find a selected list of spare parts that are often required.

### Symbols on the appliance



*Please do not sweep away any burning substances such as cigarettes, match sticks or similar objects.*



*Risk of being squeezed or hurt at the belts, side-brushes, containers, machine cover.*

### Symbols in the operating instructions

#### **Danger**

*indicates an immediate threat of danger. Failure to observe the instruction may result in death or serious injuries.*

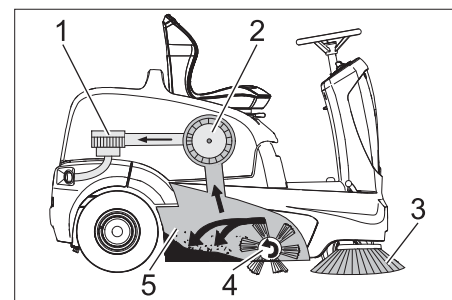
#### **Warning**

*indicates a possibly dangerous situation. Failure to observe the instruction may result in light injuries or damage to property.*

#### Note

*indicates useful tips and important information.*

## Function



The sweeper operates using the overthrow principle.

- The side brushes (3) clean the corners and edges of the surface, moving dirt and debris into the path of the roller brush.
- The rotating roller brush (4) moves the dirt and debris directly into the waste container (5).

- The dust raised in the container is separated by the dust filter (2) and the filtered clean air is drawn off by the suction fan (1).

## Proper use

Use this appliance only as directed in these operating instructions.

- The machine with working equipment must be checked to ensure that it is in proper working order and is operating safely prior to use. Otherwise, the appliance must not be used.
- This sweeper has been designed to sweep dirt and debris from indoor as well as outdoor surfaces.
- The machine is not suitable for being driven on public roads.
- The machine is not suitable for vacuuming dust which endangers health.
- The machine may not be modified.
- Never vacuum up explosive liquids, combustible gases or undiluted acids and solvents. This includes petrol, paint thinner or heating oil which can generate explosive fumes or mixtures upon contact with the suction air. Acetone, undiluted acids and solvents must also be avoided as they can harm the materials on the machine.
- Do not sweep/vacuum up any burning or glowing objects.
- The machine is only suitable for use on the types of surfaces specified in the operating instructions.
- The machine may only be operated on the surfaces approved by the company or its authorized representatives.
- The machine may not be used or stored in hazardous areas. It is not allowed to use the appliance in hazardous locations.
- The following applies in general: Keep highly-flammable substances away from the appliance (danger of explosion/fire).

## Suitable surfaces

- Asphalt
- Industrial floor
- Screed
- Concrete
- Paving stones
- Carpet

## Environmental protection

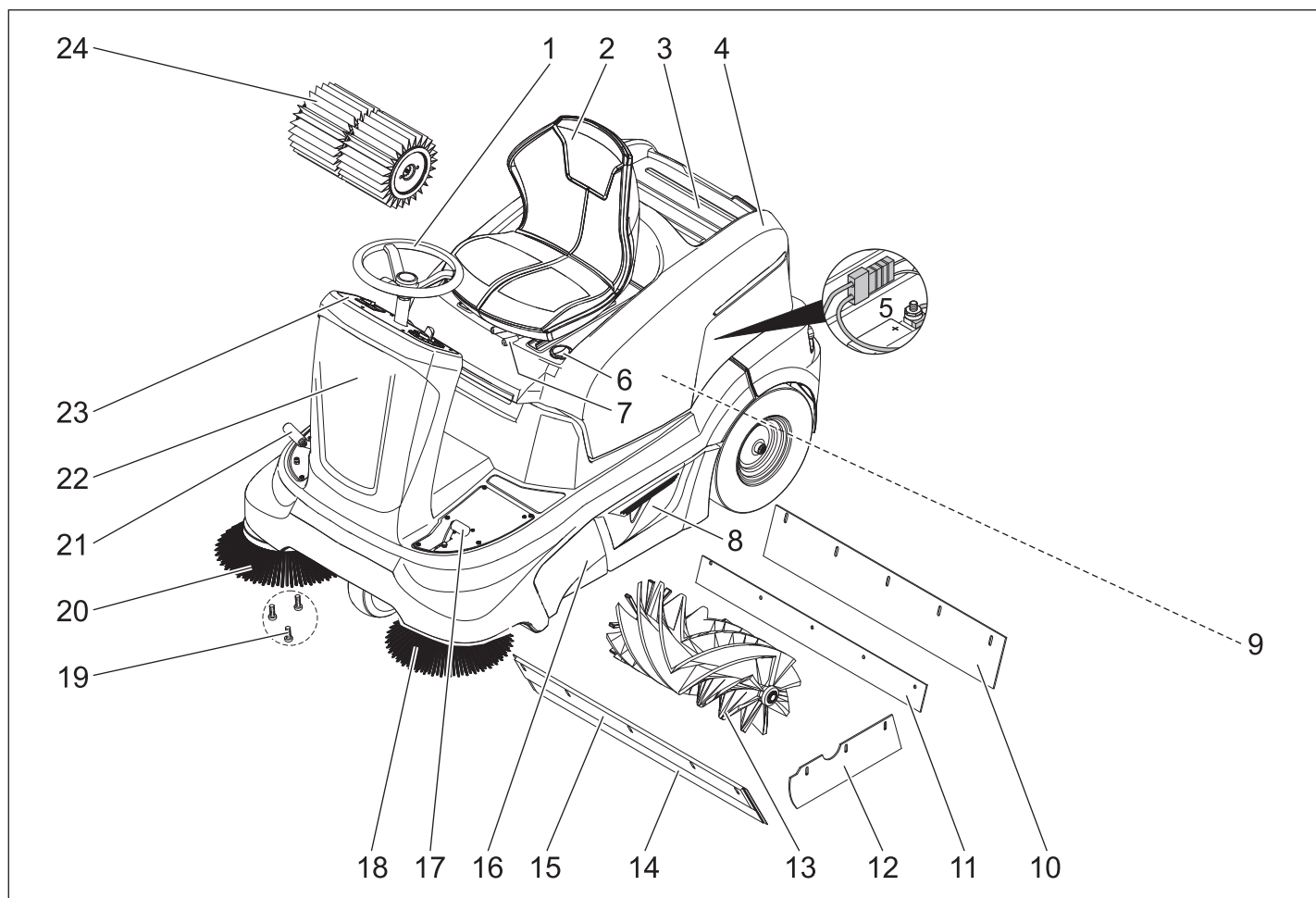


The packaging material can be recycled. Please do not throw the packaging material into household waste; please send it for recycling.



Old machines contain valuable materials that can be recycled; these should be sent for recycling. Batteries, oil, and similar substances must not enter the environment. Please dispose of your old machines using appropriate collection systems.

## Operating and Functional Elements



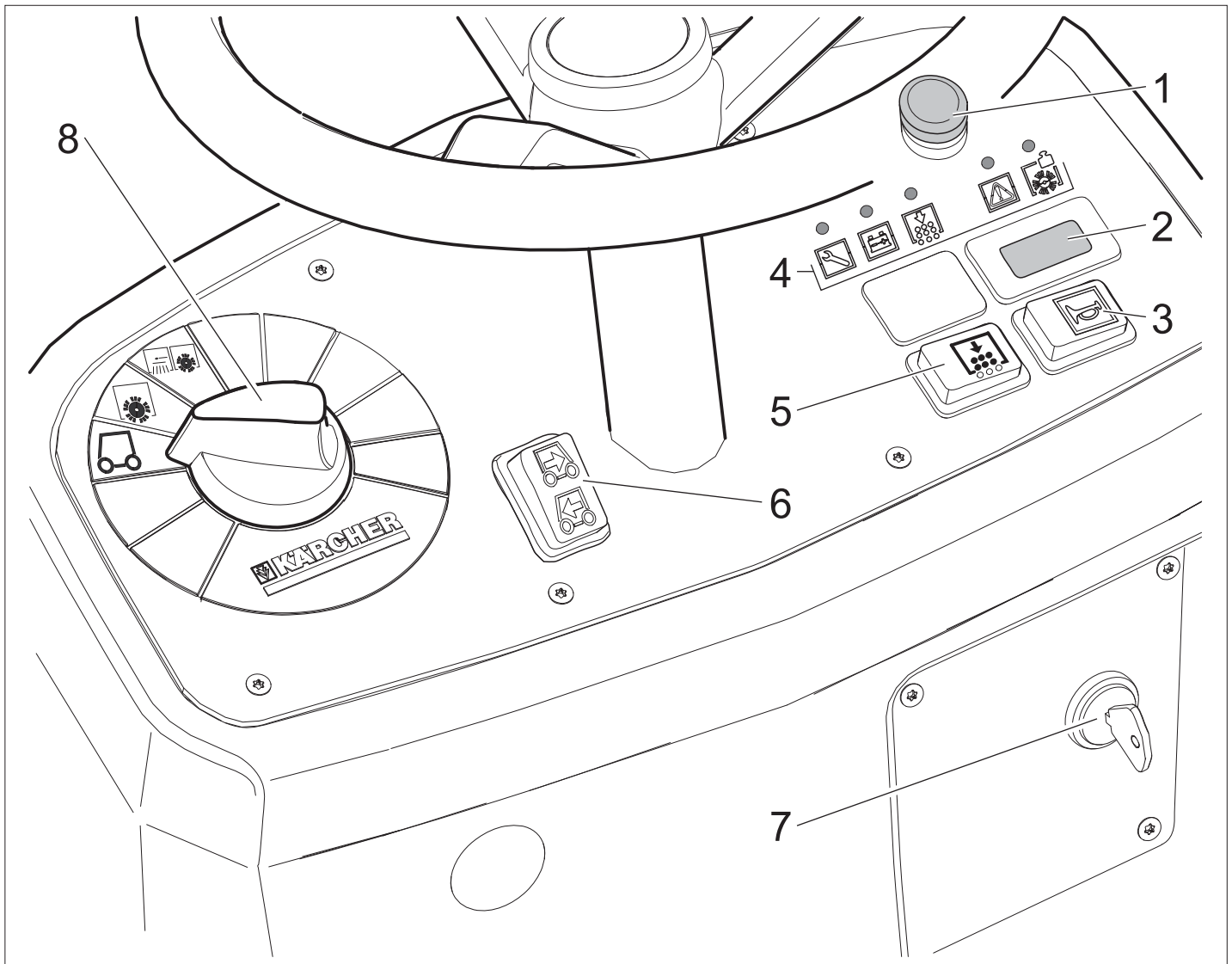
- 1 Steering wheel
- 2 Seat (with seat contact switch)
- 3 Storage area
- 4 Cover
- 5 Battery socket
- 6 Wet/dry flap
- 7 Lever for seat adjustment
- 8 Waste container (both sides)
- 9 Fuses (under the appliance hood)
- 10 Rear sealing strip
- 11 Rubber strip
- 12 Side sealing strip
- 13 Roller brush
- 14 Front sealing strip
- 15 Bulk waste flap
- 16 Side panels
- 17 Pedal for raising/lowering bulk waste flap
- 18 Left side brush (optional)
- 19 Fastener of the side brush
- 20 Right side brush
- 21 Drive pedal
- 22 Front panel
- 23 Operator console
- 24 Dust filter

### Open/ close device hood

#### **⚠ Danger**

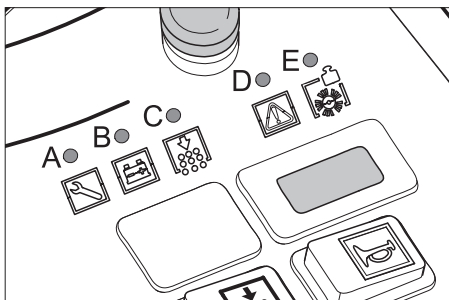
*Danger of crushing while closing the machine cover. Hence, lower the machine cover slowly.*





- 1 Emergency-stop button
- 2 Operating hour counter
- 3 Horn
- 4 Indicator lamps
- 5 Filter dedusting
- 6 Travel direction switch (forward/reverse)
- 7 Key switch
- 8 Progame switch

**Indicator lamps**








- A Service (yellow)
- B Battery charge status (red/yellow/green)
- C Overload of the filter cleaning (red)
- D Overload of the drive motor (red)
- E Overload of the sweep roller (red)

## Before Startup

### Batteries

#### Safety notes regarding the batteries

Please observe the following warning notes when handling batteries:

|   |   |
|---|---|
|    | Observe the directions on the battery, in the instructions for use and in the vehicle operating instructions! |
|    | Wear an eye shield!   |
|    | Keep away children from acid and batteries!   |
|    | Risk of explosion!  |
|    | Fire, sparks, open light, and smoking not allowed!  |
|  | Danger of caustic material!   |
|  | First aid!  |
|  | Warning note!   |
|  | Disposal!   |
|  | Do not throw the battery in the trash bin!  |

#### **⚠ Danger**

Risk of explosion! Do not put tools or similar on the battery, i.e. on the terminal poles and cell connectors.

#### **⚠ Danger**

Risk of injury! Ensure that wounds never come into contact with lead. Always clean your hands after having worked with batteries.

#### **⚠ Danger**

Risk of fire and explosion!

- Smoking and naked flames are strictly prohibited.
- Rooms where batteries are charged must have good ventilation because

highly explosive gas is emitted during charging.

- Batteries must not be stored outside.

#### **⚠ Danger**

Danger of caustic material!

- Rinse thoroughly with lots of clear water if acid gets into the eye or comes in contact with the skin.
- Then consult a doctor immediately.
- Wash off the acid if it comes in contact with the clothes.

#### Installing and connecting the batteries

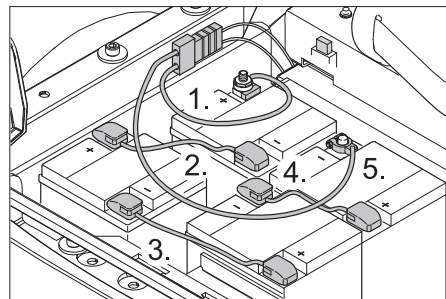
- ➔ Open the device hood.
- ➔ Insert batteries into the battery mount.
- ➔ Adjust the rubber buffers to hold the batteries properly.

#### **⚠ Warning**

Pay attention to correct poles.

#### **Note**

The connection lines are not included in the delivery scope.



- ➔ Connect pole terminal (red cable) to positive pole (+).
- ➔ Screw the connection lines onto the batteries.
- ➔ Connect pole terminal to negative pole (-).

#### **Note**

Before removing the battery, make sure that the negative pole lead is disconnected. Check that the battery pole and pole terminals are adequately protected with pole grease.

#### **⚠ Warning**

Charge the batteries before commissioning the machine.

#### Charge the batteries

#### **⚠ Danger**

Risk of injury! Comply with safety regulations on the handling of batteries. Observe the directions provided by the manufacturer of the charger.

#### **⚠ Danger**

Charge the battery only with an appropriate charger.

#### **Note**

When the batteries are charged, first remove the charger from the mains and then disconnect it from the batteries.

- ➔ Open the device hood.
- ➔ Separate the battery plug and connect the charger cable.
- ➔ Plug in power cord and switch on charger.

#### **Note**

The recommended chargers (matching the batteries used) are regulated electronically and will automatically switch off the charging process. All functions of the machine are automatically interrupted during the charging process.

#### Low maintenance batteries

- While charging maintenance-free batteries, it is necessary to tilt the appliance hood upward.
- While charging maintenance-free batteries, follow the specifications of the battery manufacturer.
- ➔ Add distilled water one hour before the end of the charging process; follow the correct acid level. There are corresponding indicators on the battery.

#### **⚠ Danger**

Danger of chemical burns. Adding water to the battery in its discharged state can cause the acid to leak! Use safety glasses while handling battery acid and follow the safety instructions to avoid personal injury or damage to clothes. Should the acid spray on to the skin or clothes, rinse immediately with lots of water.

#### **⚠ Warning**

Risk of damage. Use only distilled or de-salinated water (VDE 0510) for filling the battery. Do not add any substances (so-called performance improving agents), else warranty claims will not be entertained.

#### After charging

- ➔ Switch off the charger and remove the plug from the socket.
- ➔ Pull the battery cable from the charger cable and connect it to the appliance.

#### Check fluid level in the battery and adjust if required

#### **⚠ Warning**

Regularly check the fluid level in acid-filled batteries.

- The acid in a fully charged battery has a specific weight of 10.85 lbs/gal (1.28 kg/l) at a temperature of 68 °F (20 °C).
- The acid in a partially discharged battery has a specific weight between 8.46 and 10.85 lbs/gal (1.00 and 1.28 kg/l).
- The specific weight of the acid must be uniform in all cells.
- ➔ Unscrew all cell caps.
- ➔ Take a sample from each cell using the acid tester.
- ➔ Put the acid sample back into the same cell.
- ➔ Where fluid level is too low, top up cells to the mark provided with distilled water.
- ➔ Charge battery.
- ➔ Screw in cell caps.

### Unloading

#### **⚠ Warning**

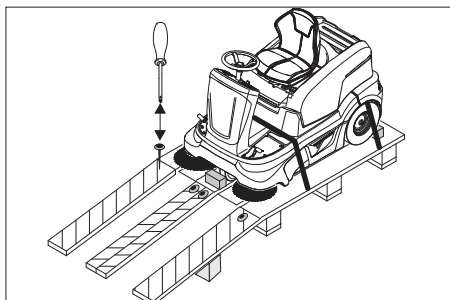
Do not use a forklift truck to unload the machine as this may damage it.

## Note

Press the emergency-stop button to immediately deactivate all functions and turn the key switch to the "0" position.

To unload the machine, proceed as follows:

- Cut plastic packing belt and remove foil.
- Remove the elastic tape fasteners at the stop points.
- Four indicated floor boards of the pallet are fastened with screws. Unscrew these boards.
- Place the boards on the edge of the pallet. Place the boards in such a way that they lie in front of the four wheels of the machine. Fasten the boards with screws.



- Slide the four support beams included in the packaging under the ramp.
- Remove the wooden blocks used for arresting the wheels and slide them under the ramp.

### (1) Machine without built-in battery

- Loosen immobilizing brake (see "move sweep machine").
- Slide the machine over the prepared ramp from the pallet.

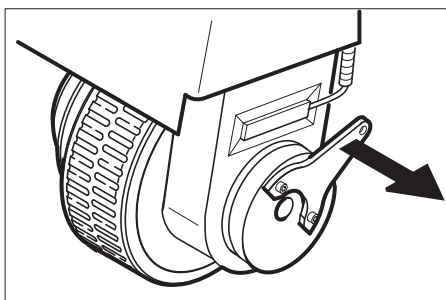
### (2) Machine with built-in battery

- Connect battery (see section on Care and maintenance)
- Release emergency-stop button by turning.
- Set main switch to "1".
- Press the drive direction switch and slowly move the machine down from the ramp.
- Set main switch back to "0".

## Move the sweep machine

### ⚠ Danger

- Risk of injury! Before releasing the immobilizing brake, the machine must be secured to prevent it rolling away. After releasing the emergency brake, the appliance will roll until a speed of 2.8 mph (4.5 km/h) is reached. After that, the electronics will brake the appliance.
- It is prohibited to release the emergency brake on an incline without using the stopper.



- Remove the brake level from the wheel and put it in its position.

The immobilizing brake is thus deactivated; the machine can now be moved.

## Start up

### General notes

The appliance will brake electrically while standing still, if one of the following conditions is met.

- Foot was removed from the pedal.
- Operator's seat was left for more than 1 second.
- Key switch was set to "0".

The automatic emergency brake will only work while the appliance is at a standstill.

- Park the sweeper on an even surface.
- Remove the key.

### Inspection and maintenance work

- Check charging status of battery.
- Check side brush.
- Check roller brush.
- Shake off dust filter.
- Empty waste container.
- Check tyre pressure.

### Note

For description, see section on Care and maintenance.

## Operation

### Adjusting driver's seat

- Pull seat adjustment lever inwards.
- Slide seat, release lever and lock in place.
- Check that the seat is properly locked in position by attempting to move it backwards and forwards.

### Check charging status of battery

- Indicator lamp glows green  
Battery is charged (100...40%).
- Indicator lamp glows yellow  
Battery is discharged to 40 ... 20%.
- Indicator lamp blinks red  
Battery is almost discharged. The sweeping mode will be shortly switched off automatically.
- Indicator lamp glows red  
Battery is discharged. The sweeping mode will be terminated automatically (the sweeping aggregates cannot be taken into operation until the battery is charged).
- Drive the machine directly to the charging station; avoid any steep gradients in the process.

- Charge battery.

## Check immobilizing brake

### ⚠ Danger

Danger of accident. The immobilizing brake must always be checked first on an even surface before starting the machine.

- Take the seating position.
- Release emergency-stop button by turning.
- Set main switch to "1".
- Activate the travel direction switch (forward/reverse).
- Gently depress drive pedal.
- You must hear the brake being released. The machine must roll slightly on a plane surface. When the pedal is released, the brake falls in in an audible manner. Switch off the machine and call the aftersales service if the above-mentioned events do not occur.

## Storage area

### Note

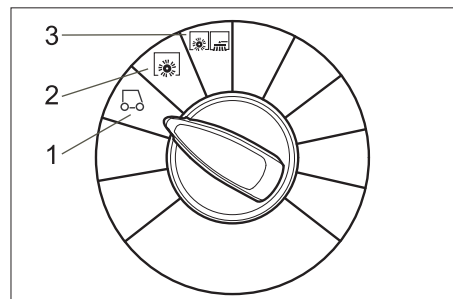
The max. load of the storage area is 44.1 lbs (20 kg).

- Fasten the load through appropriate fasteners at the 4 eyelets.

## Emergency-stop button

- The appliance has an emergency OFF switch. If this switch is pressed, the appliance will stop abruptly and the automatic emergency brake will be activated.
- In order to restart the appliance, first unlock the emergency OFF switch, then turn the key switch on and off.

## Programme selection



- 1 Driving  
Driving to the Place of Use.
- 2 Sweeping with sweep roller  
Roller brush is lowered. The roller brush and the side brush will rotate.
- 3 Sweeping using roller brush and side brushes  
Roller brush and side brushes are lowered.

## Turning on the Machine

### Note

The machine is equipped with a seat contact switch. When you quit the driver seat, the machine comes to a halt after a delay of approx. 1.5 seconds and the activated sweep function is switched off.

- Sit on the driver's seat.

- Do NOT press the accelerator pedal.
- Set programme switch to step 1 (driving).
- Set main switch to "1".

### Drive the machine

#### **⚠ Danger**

*Danger of accident. If the machine does not brake, then proceed as follows:*

- If the device does not come to a halt on a ramp with a gradient of 2% when you release the drive pedal, then the emergency-stop button may be pressed for safety reasons only if the mechanical functioning of the immobilizing brake has been checked properly before commissioning the device.
- Switch off the machine only after it comes to a complete halt (on an even surface) and call up the aftersales service!
- Further, follow all warning instructions for braking.
- Release emergency-stop button by turning.
- Sit on the seat and set main switch to "1".

#### **Drive forward**

- Set the travel direction switch to "forward".
- Press accelerator pedal down slowly.

#### **Reverse drive**

##### **⚠ Danger**

- *Risk of injury! While reversing, ensure that there is nobody in the way, ask them to move if somebody is around.*
- *During reverse drive, a pulsing warning sound will be heard.*
- *The reverse drive speed is lower than the forward speed for safety reasons.*
- Set the travel direction switch to "backwards".
- Press accelerator pedal down slowly.

#### **Note**

*Driving method*

- The accelerator pedal can be used to vary the driving speed infinitely.

#### **Brakes**

- Release the accelerator pedal, the machine brakes automatically and stops.

#### **Driving over obstacles**

Driving over fixed obstacles which are 2.0 in (50 mm) high or less:

- Drive forwards slowly and carefully.

Driving over fixed obstacles which are more than 2.0 in (50 mm) high:

- Only drive over these obstacles using a suitable ramp.

#### **Overload of the drive motor**

In case of overloading, the drive motor automatically switches off after a certain period. The indicator lamp "Overload of the drive motor" will illuminate red as soon as the drive motor current is limited. If the control is overheated, all drives (except for the horn and the filter cleaning) will be switched off.

- Allow machine to cool down at least for 15 minutes.
- Turn the main switch to "0" and turn it back to "1".

### Sweeping mode

#### **⚠ Danger**

*Risk of injury! If the bulk waste flap is open, stones or gravel may be flung forwards by the roller brush. Make sure that this does not endanger persons, animals or objects.*

#### **⚠ Warning**

*Do not sweep up packing strips, wire or similar objects as this may damage the sweeping mechanism.*

#### **⚠ Warning**

*To avoid damaging the floor, do not continue to operate the sweeping machine in the same position.*

#### **Note**

*To achieve an optimum cleaning result, the driving speed should be adjusted to take specific situations into account.*

#### **Note**

*During operation, the waste container should be emptied at regular intervals.*

#### **Note**

*When cleaning surfaces, only lower the roller brush.*

#### **Note**

*Also lower side brush when cleaning along edges.*

#### **Sweeping with sweep roller**

- Set programme switch to step 2. Roller brush is lowered. The roller brush and the side brush will rotate.

#### **Sweeping with bulk waste flap raised**

##### **Note**

*To sweep up larger items up to a height of 2.0 in (50 mm), e.g. cigarette packs, the bulk waste flap must be raised briefly.*

Raising bulk waste flap:

- Press the pedal for the bulk waste flap forwards and keep pressed down.
- To lower it, take foot off pedal.

##### **Note**

*An optimum cleaning result can only be achieved if the bulk waste flap has been lowered completely.*

#### **Sweeping with side brushes**

- Set programme switch to step 3. Side brushes and roller brush are lowered.

##### **Note**

*Roller brush and side brush start operating automatically.*

#### **Sweeping dry floors**

##### **Note**

*During operation, the waste container should be emptied at regular intervals.*

##### **Note**

*During operation, the dust filter should be shaken off and cleaned at regular intervals.*



- Close wet/dry flap

**Sweep in fibrous and dry waste (such as dry grass, hay)**

- Open wet/dry flap.

#### **Note**

*You can thus prevent the filter system from getting blocked.*

#### **Sweeping damp or wet floors**

- Open wet/dry flap.

#### **Note**

*This protects the filter from moisture.*

#### **Filter dedusting**

- Switch on manual filter shake off.



- Press Filter shake off button. The filter will be cleaned for 15 seconds.

### Emptying waste container

#### **Note**

*Wait until the filter shaking process is finished and the dust has settled before you open or empty the waste container.*

- Raise the waste container slightly and pull it out.
- Empty waste container.
- Push in the waste container and lock it.
- Empty opposite waste container.

### Turn off the appliance.

- Set programme switch to step 1 (driving). The side brush and roller brush are raised.

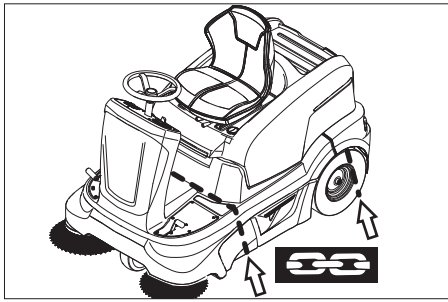
- Turn main key to "0" and remove it.

#### **Note**

- *Once the machine has been switched off, the dust filter is shaken automatically for approx. 15 seconds. Do not open the machine hood during this period.*
- *The appliance has an automatic switch-off function to protect the batteries from discharging. If the appliance is not in use (with the key switch turned on) for longer than 30 minutes, it will switch off automatically.*

### Transport

- Turn main key to "0" and remove it.
- Secure the wheels of the machine with wheel chocks.
- Secure the machine with tensioning straps or cables.



**Note**

Observe markings for fixing points on base frame (chain symbols). When loading or unloading the machine, it may only be operated on gradients of max. 12%.

**Shutdown**

If the sweeper is going to be out of service for a longer time period, observe the following points:

- Park the sweeper on an even surface.
- Set programme switch to step 1 (driving). The roller brush and side brushes are raised to prevent the bristles being damaged.
- Turn main key to "0" and remove it.
- Lock the sweeper to ensure that it does not roll off.
- Clean the inside and outside of the sweeper.

**Warning**

*Danger of damage to the machine because of water penetrating into the machine! The machine should not be sprayed using a high pressure water jet.*

- Park the machine in a safe and dry place.
- Disconnect battery.
- Charge battery and recharge it approx. every 2 months.

**Maintenance and care**

**General notes**

- First switch off the appliance and remove the key before performing any cleaning or maintenance tasks on the appliance, replacing parts or switching over to another function.
- Pull out the battery plug or clamp the battery while working on the electrical unit.
- Maintenance work may only be carried out by approved customer service outlets or experts in this field who are familiar with the respective safety regulations.
- Mobile appliances used for commercial purposes are subject to safety inspections according to VDE 0701.
- Use only roller brushes/ side-brushes that are provided with the appliance or specified in the Operations Manual. The use of other roller brushes/ side-brushes can affect the safety of the appliance.

**Cleaning**

**Warning**

*Risk of damage! Do not clean the appliance with a water hose or high-pressure water jet (danger of short circuits or other damage).*

**Cleaning the inside of the machine**

**Danger**

*Risk of injury! Wear dust mask and protective goggles.*

- Open the device hood.
- Clean machine with a cloth.
- Blow through machine with compressed air.
- Close cover.

**External cleaning of the appliance**

- Clean the machine with a damp cloth which has been soaked in mild detergent.

**Note**

*Do not use aggressive cleaning agents.*

**Maintenance intervals**

**Note**

*The elapsed-time counter shows the timing of the maintenance intervals.*

**Maintenance by the customer**

Daily maintenance:

- Check the sweeping roller and the side brush for wear and wrapped belts.
- Check tyre pressure.
- Check function of all operator control elements.

Weekly maintenance:

- Check fluid level of battery.
- Check moving parts for freedom of movement.
- Check the gasket in the sweeping area for position and wear.
- Check dust filter and clean filter box, if required.

Maintenance to be carried out every 100 operating hours:

- Check function of seat contact switch.
- Check battery acid level.
- Check tension, wear and function of drive belts (V-belt and circular belt).

Maintenance following wear:

- Replace sealing strips.
- Replace roller brush.
- Replace side brush.

**Note**

*For description, see section on Maintenance work.*

**Note**

*Where maintenance is carried out by the customer, all service and maintenance work must be undertaken by a qualified specialist. If required, a specialized Windsor dealer may be contacted at any time.*

**Maintenance by Customer Service**

Maintenance to be carried out after 5 operating hours:

- Carry out initial inspection.

Maintenance to be carried out every 50 operating hours

Maintenance to be carried out every 100 operating hours

**Note**

*In order to safeguard warranty claims, all service and maintenance work during the warranty period must be carried out by the authorized Windsor Customer Service in accordance with the maintenance booklet.*

**Maintenance Works**

Preparation:

- Park the sweeper on an even surface.
- Turn main key to "0" and remove it.
- Press emergency-stop button.

**General notes on safety**

**Danger**

*Risk of injury!*

*The engine requires 15 seconds to come to a standstill once it has been switched off. Do not open the appliance hood during that period.*

**Danger**

*Risk of injury! Allow the machine sufficient time to cool down before carrying out any maintenance and repair work.*

**Check fluid level in the battery and adjust if required**

**Warning**

*Regularly check the fluid level in acid-filled batteries.*

- Unscrew all cell caps.
- Where fluid level is too low, top up cells to the mark provided with distilled water.
- Charge battery.
- Screw in cell caps.

**Check the tyre pressure**

- Park the sweeper on an even surface.
- Connect air pressure testing device to tyre valve.
- Check air pressure and adjust if required.
- Set air pressure for the rear tyres to 90 psi (6 bar).

**Replacing wheel**

**Danger**

*Risk of injury!*

- Park the sweeper on an even surface.
- Remove the key.
- When carrying out repairs on public highways, wear warning clothing when working close to passing traffic.
- Check stability of ground. Also secure the machine with wheel chock(s) to prevent it rolling away.

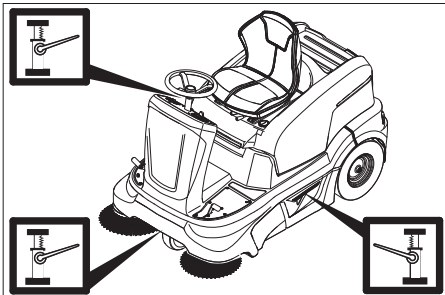
Check tyres

- Check tyre contact face for foreign objects.
- Remove objects found.
- Use suitable, commercially available materials to carry out tyre repairs.

### Note

Observe the manufacturer's recommendations. The journey may be resumed providing that the directions supplied by the product manufacturer have been observed. The tyre/wheel change should nonetheless be carried out as soon as possible.

- Raise slightly the waste container on the appropriate side and pull it out.



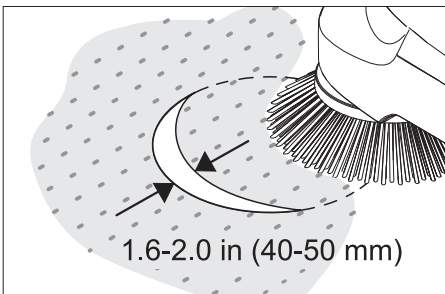
- Position vehicle jack at the appropriate mounting point for the front or rear wheel.
- Raise machine using vehicle jack.
- Remove the hexagonal screw (rear wheel only).
- Remove wheel.
- Mount spare wheel.
- Attach the hexagonal screw (rear wheel only).
- Lower machine using vehicle jack.
- Push in the waste container and lock it.

### Note

Use a suitable commercially available vehicle jack.

### Checking the sweeping mirror of the side-brushes

- Check tyre pressure.
- The side-brushes lift up.
- Drive sweeper on to a smooth, even surface covered with a visible layer of dust or chalk.
- Lower side-brushes and allow them to briefly rotate.
- The side-brushes lift up.
- Drive machine backwards.
- Park the sweeper on an even surface.
- Check sweeping mirror.



The width of the sweeping track should lie between 1.6-2.0 in (40-50 mm).

### Note

The side brush floating mounting adjusts the sweeping track as the bristles wear down. The side brush must be replaced if it becomes too worn.

### Replacing side brush

- Park the sweeper on an even surface.

- Set programme switch to step 1 (driving). Side brushes lift up.
- Turn main key to "0" and remove it.
- Loosen 3 fastening screws on the underside.
- Clip side brush on to driver and screw on.

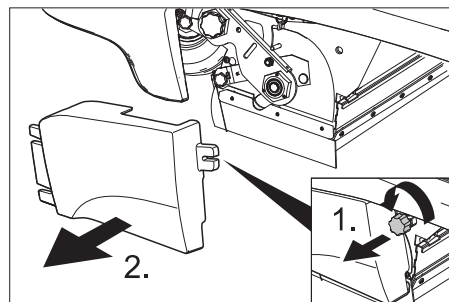
### Checking roller brush

- Park the sweeper on an even surface.
- Set programme switch to step 1 (driving). Roller brush is raised.
- Turn main key to "0" and remove it.
- Secure the machine with wheel chock(s) to prevent it from rolling away.
- Remove belts or cords from roller brush.

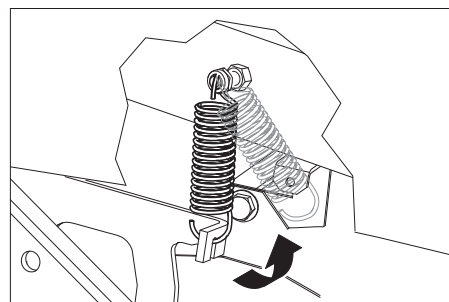
### Replacing roller brush

Replacement is due if a visible deterioration in sweeping performance caused by bristle wear is evident.

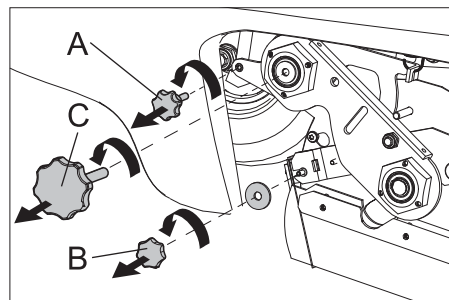
- Park the sweeper on an even surface.
- Set programme switch to step 1 (driving). Roller brush is raised.
- Turn main key to "0" and remove it.
- Secure the machine with wheel chock(s) to prevent it from rolling away.
- Raise slightly the waste container on the left side and pull it out.



- Loosen the fastening screw on the left side-panel.
- Remove side panel.

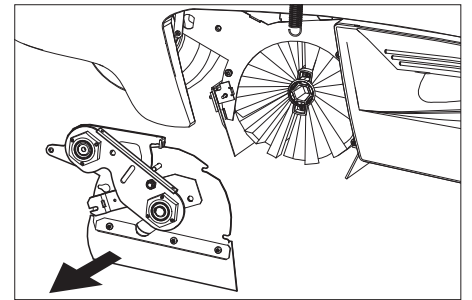


- Unhook pull spring.

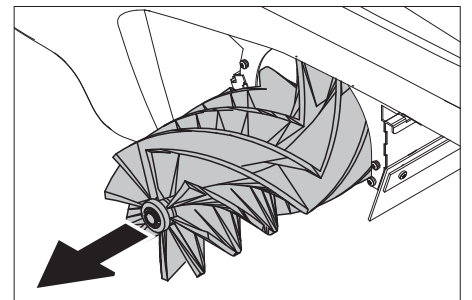


- A Fastening screw of the under-pressure can
- B Fastening nut of the bulk waste flap
- C Screw of the roller brush crank

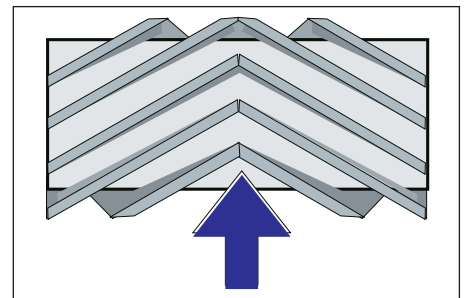
- Unscrew the fastening screws of the vacuum socket and release the lever.
- Turn the fastening nut of the bulk waste flap and unhook the bulk waste flap.
- Unscrew and withdraw bolt on the roller brush swinging arm.



- Push the roller brush cover backwards and remove it.



- Pull out roller brush.



Installation position of roller brush in direction of travel

- Push new roller brush into the roller brush housing and onto the drive pin.

### Note

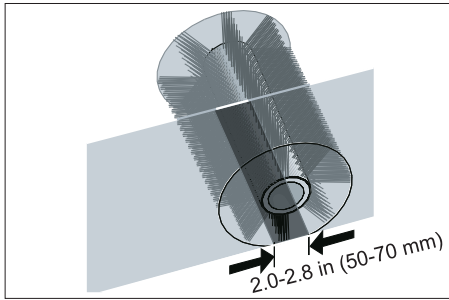
When installing the new roller brush, ensure correct positioning of the bristle assembly.

- Position roller brush cover.
- Fit the fastening screws and nuts.
- Hook the draw spring in.
- Screw on side panel.
- Push in the waste containers on both the sides and lock them.

### Check the sweeping mirror of the sweeping roller

- Set programme switch to step 1 (driving). The side brush and roller brush are raised.
- Drive sweeper on to a smooth, even surface covered with a visible layer of dust or chalk.
- Set programme switch to step 2. Roller brush is lowered. Slightly press down on the drive pedal and allow the sweep brush to briefly rotate.
- Raise roller brush.

- Press pedal which raises bulk waste flap and keep pressed.
- Drive machine backwards.



The sweeping track should have an even rectangular shape which is between 2.0 and 2.8 in (50 and 70 mm) wide.

#### Note

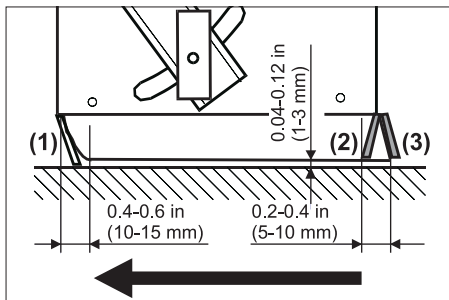
The side brush floating mounting of the roller brush adjusts the sweeping track as the bristles wear down. The roller brush must be replaced if it becomes too worn.

#### Adjusting and replacing sealing strips

- Park the sweeper on an even surface.
- Set programme switch to step 1 (driving). Roller brush is raised.
- Turn main key to "0" and remove it.
- Press emergency-stop button.
- Secure the machine with wheel chock(s) to prevent it from rolling away.
- Raise slightly the waste containers on both sides and pull them out.
- Open the fastening screws of the side panels on both sides.
- Remove side panels.

#### ■ Front sealing flap

- Loosen retaining nuts for the front sealing strip (1) slightly (to replace, unscrew).
- Screw on new sealing strip without fully tightening the nuts.



- Adjust side skirt.
- Set the distance between the sealing strip and the floor so that the bottom edge trails behind at a distance of between 0.4-0.6 in (10-15 mm).
- Tighten nuts.

#### ■ Rubber strip

- If worn, replace.
- Unscrew retaining nuts for the rubber strip (2).
- Screw on new rubber strip.

#### ■ Rear flap

- Set the distance between the sealing strip and the floor so that the bottom edge trails behind at a distance of between 0.2 and 0.4 in (5 and 10 mm).
- If worn, replace.

- Unscrew retaining nuts for rear sealing strip (3).

- Screw on new sealing strip.

#### ■ Side skirts

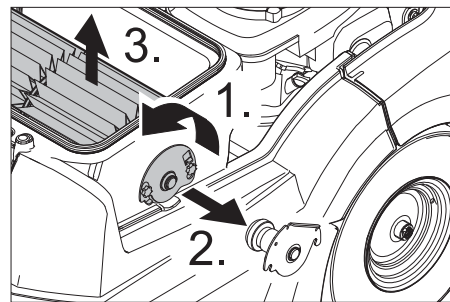
- Slightly loosen retaining nuts for the side sealing strip (to replace, unscrew).
- Screw on new sealing strip without fully tightening the nuts.
- To set the floor clearance, insert a sheet with a thickness of between 0.04 and 0.12 in (1 and 3 mm) under the sealing strip.
- Adjust side skirt.
- Tighten nuts.
- Screw on side panels.
- Push in the waste containers on both the sides and lock them.

#### Replacing dust filter

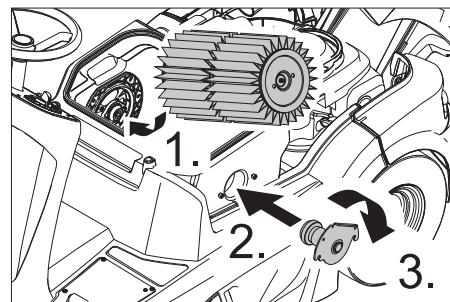
##### ⚠ Danger

Empty waste container before replacing dust filter. Wear a dust mask when working around the dust filter. Observe safety regulations on the handling of fine particulate material.

- Turn main key to "0" and remove it.
- Press emergency-stop button.
- Open the device hood.



- Loosen the fastening screws.
- Press the filter holder upwards and remove it.
- Remove the lamella filter.
- Insert new filter.

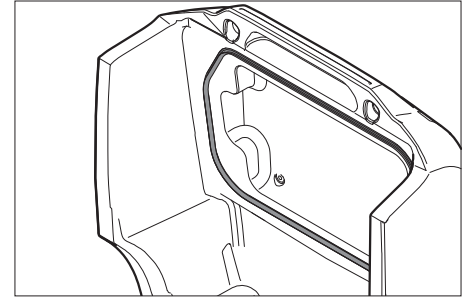


- Make sure driver engages with holes on drive side.
- Insert the filter holder and press downwards.
- Tighten the fastening screws.

#### Note

Make sure when installing the new filter that the fins are not damaged.

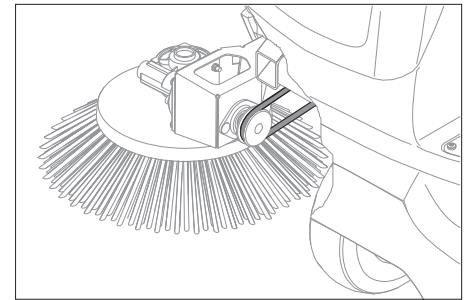
#### Replacing filter case seal



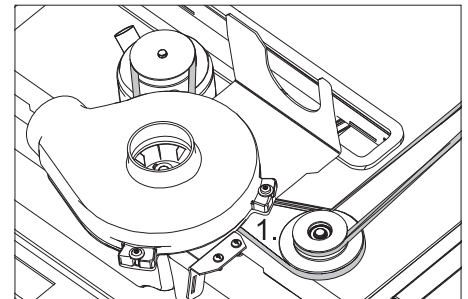
- Lift filter case seal out of groove in the cover.
- Insert new seal.

#### Checking drive belt

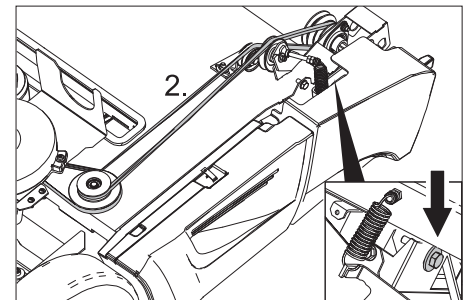
- Turn main key to "0" and remove it.
- Press emergency-stop button.
- Open the device hood.



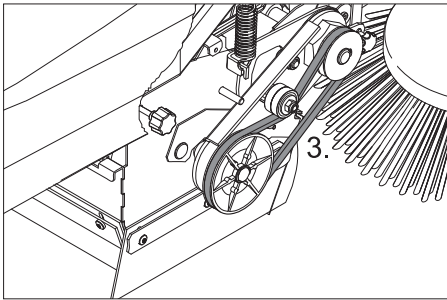
- Check tension of circular belt of the side-brush; also check for wear or damage.



- Check tension, wear and damages on the V-belt of the sweep roller drive.

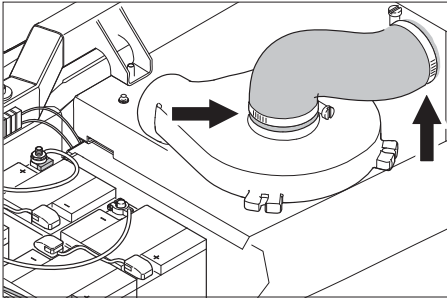


- Check tension, wear and damages on the V-belt of the sweep roller drive.
- Tighten the V-belt at the screw if necessary.



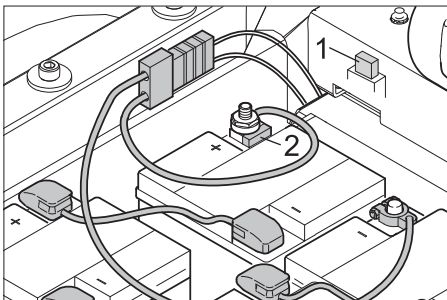
→ Check tension, wear and damages on the V-belt of the sweep roller drive.

#### Check suction blower



→ Check hose at the suction blower for tightness.

#### Replacing the fuse



1 Automotive flat plug fuse

2 Pole fuse

– Replace the automotive flat plug fuse with the following rating: 1 A (F2) - vacuum pump

→ Replace defective fuse.

#### Pole fuse

→ Replace defective fuse.

#### Note

*A defective pole fuse may only be replaced by a Windsor service technician or an authorised expert. If this fuse is defective, check the usage conditions and the entire control system.*

## Accessories

|  |                    |
|--|--------------------|
| <b>Side brushes</b>                                  | <b>6.905-626.0</b> |
| With standard bristles for indoor and outdoor areas. |                    |

|   |                    |
|---|--------------------|
| <b>Standard sweep roller</b>  | <b>4.762-430.0</b> |
| Resistant of wear and moisture. Universal bristles for inside and outside cleaning. |                    |

|   |                    |
|---|--------------------|
| <b>Roller-brush, soft</b>   | <b>4.762-442.0</b> |
| With natural bristles especially for fine dust sweeping on smooth indoor floors. Not resistant to wetness; not for abrasive surfaces. |                    |

|                    |                    |
|--------------------|--------------------|
| <b>Dust filter</b> | <b>6.414-576.0</b> |
|--------------------|--------------------|

|                                  |                    |
|----------------------------------|--------------------|
| <b>Roller brush, anti-static</b> | <b>4.762-441.0</b> |
|----------------------------------|--------------------|

|                             |                    |
|-----------------------------|--------------------|
| <b>Carpet sweeping unit</b> | <b>2.641-665.0</b> |
|-----------------------------|--------------------|



## Troubleshooting

### **Danger**

*Risk of injury! Before carrying out any tasks on the machine, set the main key to "0" and remove it. Press emergency-stop button.*

| Fault   | Remedy   |
|---|--|
| Appliance cannot be started                     | Sit on the driver seat, the seat contact switch gets activated                                   |
|   | Release emergency-stop button  |
|   | Insert battery plug.   |
|   | Set main switch to "1"   |
|   | Check fuse F1, have it replaced by Windsor customer service if required                          |
|   | Check battery; charge it, if needed<br>Inform Windsor Customer Service.                          |
| Machine is not sweeping properly                | Check roller brush and side brushes for wear, replace if necessary.                              |
|   | Check function of bulk waste flap  |
|   | Check sealing strips for wear, adjust or replace as required                                     |
|   | Check belts of sweeping drive.<br>Inform Windsor Customer Service.                               |
| Dust gathers in the machine                     | Empty waste container  |
|   | Check suction fan drive belt   |
|   | Check sealing cover on suction fan   |
|   | Check hoses of suction blower for absence of leakiness.  |
|   | Check dust filter, clean or replace  |
|   | Check filter case seal   |
|   | Close wet/dry flap   |
|   | Check sealing strips for wear, adjust or replace as required<br>Inform Windsor Customer Service. |
| Poor cleaning performance at edges              | Replace side brush   |
|   | Check sealing strips for wear, adjust or replace as required                                     |
|   | Inform Windsor Customer Service.   |
| Side brush or roller brush is not being lowered | Check fuse F2, replace if required.  |
|   | Inform Windsor Customer Service.   |
| Insufficient vacuum performance                 | Check filter case seal   |
|   | Check sealing cover on suction fan   |
|   | Check hoses of suction blower for absence of leakiness.  |
|   | Insert lamella filter correct; see Changing dust filter<br>Inform Windsor Customer Service.      |
| Roller brush does not turn.                     | Remove belts or cords from roller brush  |
|   | Inform Windsor Customer Service.   |
| Error code is displayed.                        | Completely switch of the appliance and turn it back on.  |
|   | If this error recurs, please contact the Windsor customer service department                     |

### Error code

| Indicator lamp - service | Indicator lamp - battery charge status indicator | Indicator lamp - Overload of the filter cleaning | Indicator lamp - overlaod of the drive motor | Indicator lamp - Overload of the sweep roller | Significance                            |
|--------------------------|--|--|--|---|---|
| yellow                   | green/yellow/red                                 | red  | red  | red   |   |
| blinking                 | --   | --   | --   | x   | Press emergency-stop button.            |
| blinking                 | --   | --   | x  | --  | Overtemperature on the circuit board    |
| blinking                 | --   | --   | x  | x   | Battery voltage defective               |
| blinking                 | --   | x  | --   | --  | Drive pedal error                       |
| blinking                 | --   | x  | --   | x   | Line interruption, electrical consumers |
| blinking                 | --   | x  | x  | --  | Short circuit, electrical consumers     |
| blinking                 | --   | x  | x  | x   | Error while charging                    |
| blinking                 | x  | --   | --   | --  | Performance module defective            |
| blinking                 | x  | --   | --   | x   | Built-in charging device defective      |
| blinking                 | x  | --   | x  | --  | General contactor does not open         |
| Off                      | Not important                                    | x  | --   | --  | Overload of the filter cleaning         |
| Off                      | Not important                                    | --   | x  | --  | Overlaod of the drive motor             |
| Off                      | Not important                                    | --   | --   | x   | Overlaod of the sweep roller            |

## Technical specifications

|   |  | RRB 360   |
|---|--|---|
| <b>Machine data</b>                               |  |   |
| Length x width x height                           | in (mm)                                | 64.4 x 38.6 x 49.6 (1635 x 980 x 1260)            |
| Unladen weight                                    | lbs (kg)                               | 440.9 (200)                                       |
| Permissible overall weight                        | lbs (kg)                               | 1168.4 (530)                                      |
| Driving speed                                     | mph (km/h)                             | 3.7 (6)   |
| Cleaning speed                                    | mph (km/h)                             | 3.7 (6)   |
| Climbing capability (max.)                        | %                                      | 12  |
| Roller brush diameter                             | in (mm)                                | 9.8 (250)   |
| Roller brush width                                | in (mm)                                | 24.2 (615)  |
| Side brush diameter                               | in (mm)                                | 16.1 (410)  |
| Surface cleaning performance without side brushes | ft <sup>2</sup> /h (m <sup>2</sup> /h) | 39720 (3690)                                      |
| Surface cleaning performance with 1 side brushes  | ft <sup>2</sup> /h (m <sup>2</sup> /h) | 58130 (5400)                                      |
| Surface cleaning performance with 2 side brushes  | ft <sup>2</sup> /h (m <sup>2</sup> /h) | 76530 (7110)                                      |
| Working width without side brushes                | in (mm)                                | 24.2 (615)  |
| Working width with 1 side brushes                 | in (mm)                                | 35.4 (900)  |
| Working width with 2 side brushes                 | in (mm)                                | 46.7 (1185)                                       |
| Volume of waste container                         | gal (l)                                | 15.8 (60)   |
| Protection type, drip-proof                       | --                                     | IPX 3   |
| <b>Motors</b>                                     |  |   |
| – <b>Drive motor</b>                              |  |   |
| Type  | --                                     | Inverse speed motor for forward and reverse drive |
| Type  | --                                     | Wheel hub motor in front wheel                    |
| Voltage   | V                                      | 24  |
| Rated current                                     | A                                      | 40  |
| Rated power (mechanical)                          | W                                      | 600   |
| Type of protection                                | --                                     | IP 54   |
| Speed   | 1/min                                  | Phaseless   |
| – <b>Sweeping aggregates and blower</b>           |  |   |
| Type  | --                                     | DC permanent solenoid motor                       |
| Type  | --                                     | B14   |
| Voltage   | V                                      | 24  |
| Rated current                                     | A                                      | 33  |
| Rated power (mechanical)                          | W                                      | 600   |
| Type of protection                                | --                                     | IP 20   |
| Speed   | 1/min                                  | 3600  |
| <b>Fuses</b>                                      |  |   |
| Fuse (F1) main fuse                               | A                                      | 150   |
| Fuse (F2) vacuum pump                             | A                                      | 1   |
| <b>Tyres</b>                                      |  |   |
| Size, rear  | --                                     | 4.00-8  |
| Air pressure, rear                                | psi (bar)                              | 90 (6)  |
| <b>Brake</b>                                      |  |   |
| Operating brake, emergency brake                  | --                                     | electronic  |
| <b>Filter and vacuum system</b>                   |  |   |
| Filter surface area, fine dust filter             | ft <sup>2</sup> (m <sup>2</sup> )      | 43.1 (4.0)  |
| Category of use – filter for non-hazardous dust   | --                                     | M   |
| Nominal vacuum, suction system                    | psi (kPa)                              | 0.12 (0.8)  |
| Nominal volume flow, suction system               | gpm (l/s)                              | 649.1 (41)  |
| <b>Working conditions</b>                         |  |   |
| Temperature                                       | °F (°C)                                | 41...113 (+5...+45)                               |
| Air humidity, non-condensing                      | %                                      | 0 - 90  |
| <b>Noise emission</b>                             |  |   |
| Sound pressure level (EN 60704-1)                 | dB(A)                                  | 69  |
| Guaranteed sound power level (2000/14/EC)         | dB(A)                                  | 87  |
| <b>Machine vibrations</b>                         |  |   |
| Vibration total value (ISO 5349)                  |  |   |
| Arms, steering wheel                              | m/s <sup>2</sup>                       | 1.15  |
| Feet, pedal                                       | m/s <sup>2</sup>                       | 0.93  |
| Seating   | m/s <sup>2</sup>                       | 0.35  |

## Maintenance Works

### After the first month or 5 operating hours

- 1 Check the sweeping roller and the side brush for wear and wrapped belts.
- 2 Check the sweeping track and the function of the roller brush and the side brush.
- 3 Check tension, wear and tear and functioning of the drive belts.
- 4 Check moving parts for freedom of movement.
- 5 Check functioning of all operating elements and control lamps.

### Every 50 operating hours

- 1 Check tension, wear and tear and functioning of the drive belts.
- 2 Check moving parts for freedom of movement.
- 3 Check the seal strips on the dust filter and the function of the filter shaker.
- 4 Check the gasket in the sweeping area for position and wear.
- 5 Check the sweeping track and the function of the roller brush and the side brush.
- 6 Clean and check the dust filter, replace if necessary.
- 7 Check the sweeping roller and the side brush for wear and wrapped belts.
- 8 Check functioning of all operating elements and control lamps.
- 9 Check the washers for wear, replace if required.
- 10 Check the acid level in the batteries (only for maintenance-free batteries).

### Additional maintenance work every 100 operating hours or semi-annually

- 1 Check current-carrying lines and contacts for damages and oxidation.
- 2 Check drum brake for function and setting.
- 3 Check the seal profile on the waste container and the brush roller box.
- 4 Check batteries.
- 5 Clean the battery surfaces.
- 6 Check carbon brushes for wear and tear.

### Additional maintenance work every 500 operating hours or annually

- 1 Replace belt.
- 2 Replace carbon brushes.
- 3 Check front wheel for wear, replace if required.

## Qualifications de l'opérateur

Seules les personnes formées et habilitées sont autorisées à utiliser une unité motorisée. Les opérateurs de ces unités doivent avoir les aptitudes visuelles et auditives ainsi que les capacités physiques et mentales requises pour utiliser cet équipement en toute sécurité.

## Formation de l'opérateur

- Les personnes n'ayant pas été formées à l'utilisation des unités motorisées sont autorisées à se servir de ce type d'appareil uniquement dans le cadre de formations, et ce sous la surveillance directe d'un formateur. En outre, les formations doivent être effectuées dans des zones exemptes de tout obstacle, d'autres unités et de piétons.
- Le programme de formation doit comprendre l'apprentissage du règlement et des conditions d'utilisation propres au site dans lequel les utilisateurs feront usage de l'unité ainsi qu'une initiation à l'emploi du modèle particulier d'unité qui sera utilisé. Le programme de formation sera proposé à tous les nouveaux utilisateurs, quelle que soit leur expérience antérieure.

Au cours de la formation, le stagiaire sera informé des points suivants :

- A Sa responsabilité principale est d'utiliser l'unité en toute sécurité, en respectant les instructions prescrites dans le cadre du programme de formation.
- B L'utilisation incorrecte d'une unité motorisée et le non-respect des mesures de sécurité peuvent provoquer : des blessures graves voire mortelles, l'endommagement de l'unité motorisée ou d'autres dégâts matériels.

Le programme de formation portera essentiellement sur l'utilisation correcte et en toute sécurité de l'appareil afin d'éviter toute blessure de l'utilisateur ou d'un tiers et de prévenir les dégâts matériels. Elle abordera en outre les aspects suivants :

- A Caractéristiques principales de l'unité ou des unités motorisées que le stagiaire utilisera, incluant :
  - (1) caractéristiques de l'unité/des unités motorisée(s), y compris variations entre les diverses unités présentes sur le poste de travail ;
  - (2) similitudes et différences avec les automobiles ;
  - (3) signification des données de plaque signalétique, des mises en garde et des instructions apposées sur l'unité motorisée ;
  - (4) consignes d'utilisation et mises en garde du manuel d'utilisation de l'unité motorisée et instructions relatives aux contrôles et opérations d'entretien incombant à l'utilisateur ;
  - (5) type de force motrice et ses caractéristiques ;
  - (6) méthode de conduite ;

- (7) méthode de freinage et ses caractéristiques ;
- (8) visibilité avant et arrière ;
- (9) caractéristiques de stabilité avec et sans chargement ainsi qu'avec et sans accessoires ;
- (10) emplacement des commandes, fonctions, instructions d'utilisation, identification des symboles ;
- (11) chargement de la batterie ;
- (12) dispositifs de protection et de sécurité pour le type d'unité précis ;
- (13) autres caractéristiques de l'unité précise ;

- B Environnement de mise en oeuvre et ses effets sur le fonctionnement de l'unité incluant :
  - (1) état du sol, avec prise en compte des conditions temporaires ;
  - (2) rampes et pentes ;
  - (3) dispositifs de chargement de la batterie ;
  - (4) allées étroites, portes, câbles aériens, tuyauterie et autres zones difficiles d'accès ;
  - (5) zones où l'unité est susceptible d'être utilisée près d'autres unités motorisées, d'autres véhicules ou des piétons ;
  - (6) utilisation à proximité d'un bord de quai ou d'un terrain viabilisé ;
  - (7) d'autres conditions d'utilisation et risques peuvent se présenter.
- C Fonctionnement de l'unité motorisée incluant :
  - (1) contrôle minutieux avant la prise de poste et méthode appropriée pour la mise hors service d'une unité motorisée nécessitant des réparations ;
  - (2) procédures relatives au stationnement et à l'arrêt ;
  - (3) autres conditions d'utilisation particulières pour l'application spécifique.
- D Règles de sécurité et pratiques relatives à l'utilisation, notamment :
  - (1) dispositions de la section "REGLES DE SECURITE ET PRATIQUES RELATIVES A L'UTILISATION" de ce document.
  - (2) autres règles, réglementations ou pratiques précisées par l'employeur pour l'endroit où l'unité sera utilisée.
- E Exercices pratiques d'utilisation, notamment :
  - (1) si possible, une utilisation pratique des unités motorisées doit être effectuée dans une zone éloignée du personnel et de toute autre activité exercée sur le lieu de travail ;
  - (2) cet exercice pratique sera réalisé sous la surveillance du formateur ;
  - (3) il consistera en l'utilisation concrète de l'appareil ou en des simulations de toutes les tâches telles que les manœuvres, le déplacement, l'arrêt, le démarrage et autres commandes réalisées dans des conditions similaires à celles

qui seront rencontrées lors de l'utilisation de l'unité.

## Tests, formation de reclassement et application

- A Au cours de la formation, des tests pratiques et tests écrits et/ou oraux seront proposés par l'employeur pour évaluer les compétences et les connaissances du stagiaire et s'assurer qu'elles répondent aux exigences des normes. Les employeurs pourront déléguer ces tests à d'autres membres du personnel. Cependant ils en seront toujours responsables. Des archives pertinentes seront tenues.
- B Les utilisateurs devront suivre de nouvelles formations en cas d'introduction de nouveaux équipements ou de modifications des équipements existants, en cas de changement des conditions d'utilisation ou si leurs performances ne se révèlent pas satisfaisantes.
- C L'utilisateur est tenu pour responsable du respect des précautions de sécurité lors de l'utilisation de l'autolaveuse motorisée, conformément aux exigences de ce manuel.

REMARQUE : des informations sur les formations des utilisateurs sont disponibles auprès de sources variées, comme les fabricants d'unités, les organismes administratifs chargés de la sécurité des employés, les organisations professionnelles d'utilisateurs d'unités motorisées, des organisations publiques et privées, ainsi que des spécialistes en matière de sécurité.

## REGLES DE SECURITE ET PRATIQUES RELATIVES A L'UTILISATION

### Responsabilité de l'utilisateur

- L'utilisateur est responsable de l'utilisation en toute sécurité de l'appareil.
- L'utilisateur devra mettre en œuvre des habitudes de travail fiables et être conscient des facteurs pouvant représenter des risques afin de prévenir toute mise en danger de sa propre personne, des tiers, de l'unité et de tout autre équipement.
- Avant d'utiliser l'appareil, l'utilisateur devra avoir acquis une connaissance approfondie des fonctions et du fonctionnement de toutes les commandes et de tous les instruments.
- Avant d'utiliser l'appareil, l'utilisateur devra avoir lu et s'être familiarisé avec le manuel d'utilisation de l'appareil en question. Il devra par ailleurs se conformer aux règles de sécurité et pratiques décrites dans les paragraphes suivants.

- Avant d'utiliser quelque appareil que ce soit, l'utilisateur doit être conscient des éventuelles conditions d'utilisation inhabituelles pouvant nécessiter des précautions de sécurité supplémentaires ou la mise en œuvre d'instructions d'utilisation particulières.

## Généralités

Avant d'utiliser l'autolaveuse motorisée :

- A se mettre en position de service ;
  - B régler les commandes de direction en position neutre ;
  - C mettre le commutateur sur ON.
- Ne pas démarrer ou utiliser l'appareil, ni aucune de ses fonctions ou accessoires, à partir d'un autre endroit que celui réservé à l'utilisateur.
  - Conserver les mains et les pieds à l'intérieur de la zone désignée pour l'opérateur.

Apprécier les limites de l'appareil et utiliser ce dernier en respectant les règles de sécurité de manière à ne pas blesser le personnel. Toujours protéger les piétons.

- A Ne pas diriger l'unité vers une personne se tenant devant un objet.
  - B S'assurer qu'aucun individu ne se trouve dans la zone située à l'arrière de l'appareil avant de procéder à des manœuvres et aux changements de direction.
  - C Être particulièrement attentif dans les croisements, à l'approche de portes et à tout autre endroit où des piétons risquent d'apparaître sur le parcours de l'unité.
- Ne jamais autoriser des passagers sur les unités motorisées sauf lorsqu'un emplacement sécurisé a été prévu par le fabricant à cet effet.
  - Une unité motorisée est sous la surveillance de l'utilisateur lorsque ce dernier se trouve à moins de 7,6 mètres et que l'unité ne quitte pas son champ de vision.
  - Une unité motorisée est considérée comme abandonnée lorsque l'utilisateur se trouve à plus de 7,6 mètres, même si l'unité est toujours dans son champ de vision ou lorsqu'il quitte son poste et que l'unité n'est plus dans son champ de vision.

Avant de quitter le poste de l'utilisateur :

- A arrêter l'appareil ;
  - B régler les commandes de direction en position neutre ;
  - C actionner le frein à main ;
- De plus, lorsque vous laissez l'unité sans surveillance :
- A éteindre le moteur ou arrêter toutes les commandes ;
  - B si l'appareil doit stationner sur une pente, caler les roues.
- Conserver une distance de sécurité avec les bords des rampes, des plates-formes et de toutes les autres surfaces de travail du même type.

- Lors du chargement et du déchargement des unités dans des camions ou remorques, les freins de ces derniers doivent être actionnés. En outre, installer des cales de roue ou tout autre dispositif de blocage mécanique similaire afin de prévenir les déplacements involontaires des camions ou des remorques.
- Lors du chargement et du déchargement d'unités motorisées dans des semi-remorques non tractées, des supports peuvent s'avérer nécessaires pour éviter tout renversement ou basculement sur les côtés.
- Faire particulièrement attention à ne pas entrer en contact avec des installations aériennes (dispositifs d'éclairage, câbles, tuyaux, extincteurs automatiques, etc.)
- Signaler tout incident affectant des membres du personnel, des bâtiments ou du matériel au chef d'équipe ou conformément aux instructions reçues.
- Ne pas ajouter d'accessoires à l'appareil ni le modifier de quelque manière que ce soit.
- Ne pas stationner à un endroit où l'appareil risque d'entraver les issues de secours, les cages d'escaliers ou les équipements de lutte contre l'incendie.

## Déplacement

- Respecter le code de la route, y compris les limites de vitesse des chantiers. Dans des conditions de circulation normales, serrer à droite. Maintenir une distance de sécurité avec le véhicule qui précède, en fonction de la vitesse. Garder le contrôle de l'unité en toutes circonstances.
- Céder la priorité aux piétons ainsi qu'aux véhicules d'urgence comme les ambulances et les camions de pompiers.
- Ne pas dépasser une autre unité circulant dans la même direction au niveau des croisements, des angles morts ou tout autre endroit dangereux.
- Ralentir et actionner le ou les avertisseur(s) sonore(s) aux croisements ou chaque fois que la visibilité est limitée.
- Traverser les voies ferrées à angle droit lorsque c'est possible. Ne pas garer l'appareil à moins de 1,8 m de la voie ferrée ou du rail le plus proche.
- Veiller à conserver une vue bien dégagée du trajet à emprunter et être attentif à la circulation des autres véhicules, aux déplacements des membres du personnel, ainsi qu'aux espaces de dégagement.
- Monter et descendre les côtes lentement et avec prudence. Si possible, éviter de tourner et faire particulièrement attention en côte et sur les rampes où il faut normalement se déplacer en ligne droite.

- Quelles que soient les conditions de circulation, conserver une vitesse permettant d'arrêter l'appareil en toute sécurité.
- Lors du démarrage et de l'arrêt, ainsi que dans les virages et lors des changements de direction, effectuer les manœuvres sans à-coups afin de ne pas renverser le chargement et/ou l'unité.
- Ne jamais adopter de conduite dangereuse (cascades, acrobaties etc.)
- Ralentir sur les sols mouillés et glissants.
- Avant de déplacer l'appareil sur un pont de chargement ou un pont de liaison, s'assurer que celui-ci est correctement sécurisé. Avancer prudemment et lentement sur le pont de chargement ou pont de liaison. Ne jamais dépasser la charge maximale autorisée.
- Ne pas monter des unités sur un élévateur à moins d'y avoir été spécialement autorisé. Ne pas dépasser la capacité de l'élévateur. Dans ce cas, approcher lentement de l'élévateur et entrer tout droit lorsque celui-ci est arrêté à niveau. Ensuite, placer les commandes de l'appareil en position neutre, couper le contact et serrer le frein de stationnement. Il est préférable que les membres du personnel éventuellement présents dans l'ascenseur en sortent avant l'entrée ou la sortie de l'unité.
- Dans les virages, ralentir et adopter une vitesse de sécurité adaptée à l'environnement d'utilisation. Les virages doivent être abordés sans à-coups.

Le fonctionnement d'une unité de levage élevée, à commande centrale, contrebalancées avec un opérateur assis ne montant pas requiert des consignes de sécurité spéciales comme suit :

- A L'utilisateur doit absolument ralentir suffisamment avant de procéder à des virages sous peine de renverser l'unité. Les phénomènes suivants indiquent que la vitesse d'une unité est trop élevée dans les virages :
  - (1) dérapages ;
  - (2) basculement du véhicule ;
  - (3) soulèvement des roues ; et
  - (4) nécessité de se retenir fermement au volant afin de ne pas glisser du siège.
- B Le risque de renversement latéral est accru dans les conditions suivantes (individuelles ou combinées) :
  - (1) freinage ou accélération brusque en virage ;
  - (2) conduite sur une surface non plane ;
  - (3) conduite à une vitesse trop élevée.
- C Le basculement vers l'avant peut se produire, sa probabilité augmentant dans les conditions suivantes : freinage fort lors du déplacement en avant.

- D Si l'unité tombe d'un pont de chargement ou d'une rampe. Dans ce cas, l'utilisateur ne doit pas quitter l'unité. Il doit se cramponner fermement et s'éloigner du point d'impact.
- E Lorsque l'environnement constitue un danger important ou en cas de conditions d'utilisation inhabituelles. L'utilisateur peut alors recourir à des mesures de sécurité différentes ou supplémentaires et respecter des instructions d'utilisation adaptées aux conditions particulières.

### Entretien de l'appareil par l'utilisateur

Au début de chaque prise de poste et avant chaque utilisation de l'unité, vérifier l'état de l'appareil, en inspectant tout particulièrement les éléments suivants :

- A état des pneus
- B sur les pneumatiques, vérifier la pression de gonflage
- C fonctionnement de l'avertisseur et autres dispositifs de sécurité
- D dispositifs d'éclairage
- E batterie
- F commandes
- G chaînes et câbles
- H interrupteurs de fin de course
- I mécanisme de direction
- J autres éléments ou dispositifs supplémentaires, conformément aux instructions de l'exploitant et/ou du fabricant.

Si le véhicule a besoin d'être réparé ou présente un risque quelconque, l'utilisateur doit le signaler immédiatement à son responsable et ne pas utiliser l'appareil avant résolution du problème.

- Si, en cours d'utilisation, le véhicule s'avère dangereux de quelque façon que ce soit, signaler immédiatement le problème au responsable concerné et cesser l'utilisation de l'appareil avant résolution du problème.
- Ne pas effectuer de réparations ou réglages à moins d'y être expressément autorisé.
- Ne pas éclairer les batteries à l'aide d'une flamme vive pour vérifier le niveau d'électrolyte.

### PROCEDURES D'ENTRETIEN ET DE REMISE EN ETAT

- L'utilisation de l'appareil peut devenir dangereuse si l'entretien est négligé ou si la remise en état ou les réglages nécessaires ne sont pas effectués en conformité avec les recommandations du fabricant. Par conséquent, il est nécessaire de prévoir des ateliers de maintenance, à l'intérieur ou l'extérieur des bâtiments, avec du personnel dûment formé, ainsi que d'établir des procédures détaillées.
- Il est possible d'obtenir des guides des pièces détachées ainsi que des manuels d'entretien auprès du fabricant de l'unité.

- Dans certains cas rares, non traités par ces manuels de référence, consulter directement le fabricant de l'unité.

La maintenance et l'inspection de l'appareil doivent être effectuées conformément aux procédures suivantes :

- A Les intervalles prescrits pour la maintenance, la lubrification et le contrôle du système doivent être respectés; se reporter aux instructions du fabricant ;
- B La maintenance, les réparations, les réglages et l'inspection de l'appareil doivent être confiés exclusivement à des personnes formées et habilitées et effectués conformément aux recommandations du fabricant.

Soulever l'unité de manière stable et sécurisée lorsque cela est nécessaire pour une réparation ou un contrôle. Le démontage de composants, tels que les masses d'équilibrage ou les montants, modifie le centre de gravité et risque de créer une instabilité de l'appareil.

Avant de commencer toute inspection ou réparation de l'unité :

- A soulever les roues motrices du sol ou débrancher la batterie et utiliser des cales de roues ou un autre procédé mécanique conçu pour assurer l'immobilisation de l'unité ;
- B bloquer le châssis avant toute intervention sur celui-ci ;
- C débrancher la batterie avant d'intervenir sur le système électrique ;
- D brancher le connecteur du chargeur exclusivement sur le connecteur de la batterie et jamais sur celui de l'appareil.

Le contrôle du fonctionnement de l'unité doit être effectué dans une zone autorisée et sécurisée.

- A Avant d'utiliser l'autolaveuse motorisée :
  - (1) se mettre en position de service ;
  - (2) régler les commandes de direction en position neutre ;
  - (3) mettre le commutateur sur ON ;
  - (4) contrôler le fonctionnement de la direction, des avertisseurs et des freins ;
- B Avant de quitter l'unité :
  - (1) arrêter l'unité ;
  - (2) régler les commandes de direction en position neutre ;
  - (3) couper le moteur ou mettre hors tension ;
  - (4) arrêter le circuit de commande ;
  - (5) si l'appareil doit stationner sur une pente, caler les roues.
- Eviter les risques d'incendie et s'assurer que les locaux sont dotés des équipements nécessaires pour la lutte contre l'incendie. Ne jamais éclairer les batteries à l'aide d'une flamme vive pour vérifier le niveau des liquides ou contrôler pour détecter une fuite, en particulier de l'électrolyte. Ne jamais utiliser de bacs ouverts contenant du carburant ou des produits de nettoyage inflammables pour nettoyer les composants de l'autolaveuse motorisée.

- Ventiler suffisamment la zone de travail, aérer pour évacuer les gaz d'échappement et veiller à ce que l'atelier soit toujours propre et sec.
- Inspecter régulièrement les freins, la direction, les mécanismes de commande et de direction, les avertisseurs et les maintenir en parfait état de marche pour qu'ils puissent être utilisés sans danger.

## NORMES DE SECURITE INCENDIE

### Entretien

- Tout appareil dont le fonctionnement présente un risque doit être mis hors service.
- **Précautions.** Les réparations ne doivent pas être effectuées dans les zones de classe I, II et III.  
La batterie doit être débranchée avant toute réparation sur le système électrique d'une unité motorisée.
- **Température de service.** Si la température d'un composant de l'unité dépasse la température de service normale et, par conséquent, devient source de danger, l'unité doit être mise hors service et ne pas être réutilisée tant que la source de surchauffe n'a pas été réparée.
- **Prévention des incendies.** L'unité doit être tenue propre et dans la mesure du possible, protégée des peluches, des déversements d'huile et de la graisse. L'utilisation de produits non inflammables est recommandée pour le nettoyage de l'autolaveuse motorisée. Les liquides inflammables dont le point d'ignition est égal ou supérieur à 37,8 °C (100 °F) ne sont pas autorisés. Prendre les mesures appropriées concernant la toxicité, l'aération, et les risques d'incendie selon le produit ou solvant utilisé.
- Visibilité de la plaque signalétique : Les données techniques figurant sur la plaque signalétique de l'appareil ne doivent pas être recouvertes de peinture et les informations d'identification doivent rester visibles.
- L'autolaveuse motorisée ne doit pas être utilisée dans les zones classées.

### Remplacement et chargement des batteries

- Cette section concerne les batteries utilisées sur des unités électriques. Les deux types de batteries généralement utilisées sont les batteries au plomb et les batteries au ferro-nickel. Elles contiennent des composants chimiques corrosifs (acide ou alcalin) et représentent donc un risque chimique. Lors du chargement, les batteries dégagent de l'hydrogène et de l'oxygène qui, dans certaines conditions, peuvent se combiner pour former un mélange explosif.

Le chargement des batteries doit être effectué dans des endroits désignés à cet effet, où aucune matière combustible ne doit être stockée. Des équipements doivent être prévus pour :

- A rincer les déversements d'électrolyte ;
- B lutter contre l'incendie ;
- C protéger le matériel de chargement des endommagements par des véhicules et
- D pour assurer une ventilation suffisante afin d'évacuer les fumées produites par les batteries à essence.

Lorsque des chargeurs embarqués sont utilisés, le chargement doit être effectué dans des endroits prévus à cet effet, en fonction des exigences électriques du chargeur et des équipements pour la lutte contre l'incendie.


*Exception : Les produits de rinçage ne sont pas nécessaires si le chargement est effectué sans retirer la batterie du véhicule.*

- Lors de la manipulation de concentrations d'acide supérieures à 50 % (densité au-delà de 1 400), une douche oculaire est indispensable.
- Un transporteur, un palan suspendu ou autre équipement de manutention doit être prévu pour la manipulation des batteries.
- Les appareils de levage à chaîne doivent être équipés de chaînes de levage. Lorsque des appareils de levage manuels sont utilisés, les batteries ouvertes doivent être recouvertes d'une feuille de contreplaqué ou autre matériau non conducteur afin d'éviter les courts-circuits de la chaîne de manœuvre au niveau des pontets de connexion ou des bornes. Un palonnier correctement isolé doit être utilisé avec les palans suspendus.
- La capacité des batteries rechargées ou batteries neuves doit être égale ou supérieure à celle indiquée sur l'appareil. Installer les batteries rechargées correctement dans l'appareil.
- Un vide-tourie ou un siphon devra être prévu dans les locaux où de l'acide en touries est utilisé. Lors de la dilution d'acide sulfurique concentré pour obtenir de l'électrolyte, l'acide doit TOUJOURS être ajouté à l'eau et non l'inverse. Les membres du personnel procédant à l'entretien des batteries doivent porter des vêtements de protection, tels que des verres protecteurs, des manches longues et des gants.

*Exception : Le démontage et le remplacement des batteries ne nécessite pas l'utilisation de vêtements de protection.*

- Les installations électriques doivent être conformes au NFPA 70 *code national électrique américain* ainsi qu'aux règlements locaux.
- Seules les personnes compétentes et habilitées sont autorisées à procéder au démontage et au chargement des batteries.

- L'unité doit être en position adéquate et les freins doivent être actionnés avant toute tentative de remplacement ou de chargement des batteries.
- Lors du chargement des batteries, le capuchon d'évacuation doit rester en place de façon à éviter toute projection d'électrolyte. Prendre soin de vérifier que les capuchons d'évacuation fonctionnent. Ouvrir le couvercle de la batterie (ou du compartiment de batterie) afin d'évacuer chaleur et gaz.
- Il est interdit de fumer dans la zone dédiée au chargement de la batterie.
- Les mesures nécessaires doivent être prises pour éviter les flammes vives, les étincelles et les arcs électriques dans les zones de chargement des batteries.
- Ne jamais poser des outils ou autres objets mécaniques sur des batteries ouvertes.

 Lisez attentivement ce mode d'emploi avant la première utilisation de l'appareil et respectez les conseils y figurant. Conservez ce mode d'emploi pour une utilisation ultérieure ou un éventuel repreneur de votre matériel. Avant la première mise en service, vous devez impérativement avoir lu les consignes de sécurité N° 5.956-250 !

## Table des matières

|                                     |    |
|-------------------------------------|----|
| Consignes de sécurité               | 24 |
| Fonction                            | 25 |
| Utilisation conforme                | 25 |
| Protection de l'environnement       | 25 |
| Éléments de commande et de fonction | 26 |
| Avant la mise en service            | 28 |
| Mise en service                     | 29 |
| Fonctionnement                      | 29 |
| Remisage                            | 31 |
| Entretien et maintenance            | 31 |
| Accessoires                         | 34 |
| Assistance en cas de panne          | 35 |
| Caractéristiques techniques         | 36 |

## Consignes de sécurité

### Consignes générales

Contactez le revendeur en cas de constatation d'une avarie de transport lors du déballage de l'appareil.

- Afin d'assurer un fonctionnement sans danger, observez les avertissements et consignes placés sur l'appareil.
- Outre les instructions figurant dans le mode d'emploi, il est important de prendre en considération les consignes générales de sécurité et de prévention contre les accidents imposées par la loi.

### Condition de roulage

#### **Danger**

*Risque de blessure !*

*Risque de basculement en cas de pente trop forte.*

- Dans le sens de la marche, ne pas monter des pentes supérieures à 12%.

*Risque de basculement en cas de conduite rapide dans les virages.*

- Roulez lentement dans les virages.

*Risque de basculement en cas de sol instable.*

- N'utilisez la machine que sur des sols stabilisés.

*Risque de basculement en cas de pente latérale trop importante.*

- N'empruntez aucune pente supérieure à 12% dans le sens perpendiculaire au sens de la marche.

- Doivent être respectées les mesures de règlement, les règles et les décrets qui sont valables pour les automobiles.

- L'utilisateur doit utiliser l'appareil de façon conforme. Dans la circulation, il doit prendre en considération les données locales et lors du maniement de l'appareil, il doit prendre garde aux tierces personnes, et en particulier aux enfants.

- L'appareil doit uniquement être utilisée par des spécialistes qui sont instruits dans la manoeuvre ou par des personnes qui peuvent justifier leur aptitude d'utilisation et qui sont explicitement mandatées pour l'utilisation.
- Ne jamais laisser des enfants ou des adolescents utiliser l'appareil.
- La prise de tierce personnes est interdit.
- Les appareils qu'arrivent en butée mécanique ne peuvent être mis seulement qu'à partir du siège.
- ➔ Pour éviter une utilisation non autorisée de l'appareil, la clé de contact doit être retirée.
- ➔ L'appareil ne doit pas rester sans surveillance pendant tout le temps où le moteur fonctionne. L'opérateur ne peut sortir de l'appareil que lorsque le moteur est arrêté, l'appareil assuré contre des mouvements involontaires et la clé retirée.

### Appareils fonctionnant avec une batterie

#### PROPOSITION 65

#### AVERTISSEMENT

Les supports de batteries, les bornes et les accessoires liés contiennent du plomb et des composés du plomb ; ces produits chimiques sont connus de l'Etat de Californie comme étant cancérigènes et toxiques pour la reproduction. Les batteries contiennent aussi d'autres produits chimiques connus comme cancérigènes par l'Etat de Californie. Laver les mains après la manipulation.

#### Remarque

*La garantie n'est valide qu'en cas d'utilisation des batteries et chargeurs recommandés par Windsor.*

- Il est impératif de respecter les instructions de service du fabricant de batterie et du fabricant du chargeur. Il convient également d'observer la législation en vigueur en matière d'utilisation des batteries.
- Ne jamais laisser les batteries déchargées. Les recharger le plus tôt possible.
- Pour éviter les fuites de courants, les batteries doivent toujours être propres et sèches. Protéger les batteries contre l'encrassement, par exemple contre les poussières métalliques.
- Ne pas poser d'outils ou d'objets similaires sur la batterie. Risque de court-circuit et d'explosion.
- Ne jamais approcher une flamme, émettre d'étincelles ou fumer à proximité d'une batterie ou d'une station de charge pour batteries. Risque d'explosion.
- Ne toucher aucune pièce chaude, telle que le moteur (risque de brûlure).
- Prendre garde lors de la manipulation de l'acide de batterie. Respecter les consignes de sécurité qui s'appliquent !

- Toute batterie usée doit être éliminée conformément à la directive CE 91/ 157 CEE relative à la de protection de l'environnement.

### Accessoires et pièces de rechange

#### **Danger**

*Afin d'éviter tout danger, seul le service après-vente agréé est habilité à effectuer des réparations ou à monter des pièces de rechange sur l'appareil.*

- Utiliser uniquement des accessoires et des pièces de rechange autorisés par le fabricant. Des accessoires et des pièces de rechange d'origine garantissent un fonctionnement sûr et parfait de l'appareil.
- Une sélection des pièces de rechange utilisées le plus se trouve à la fin du mode d'emploi.

### Symboles sur l'appareil



*Ne pas balayer d'objets en feu ou brûlants, comme par.ex. des cigarettes, des allumettes ou autre.*



*Risque d'écrasement et de cisaillement à la courroie, au balai latéral, au réservoir, au capot de l'appareil.*

### Symboles utilisés dans le mode d'emploi

#### **Danger**

*Signale un danger imminent. Le non-respect de cette consigne peut être source d'accidents mortels ou de blessures graves.*

#### **Avertissement**

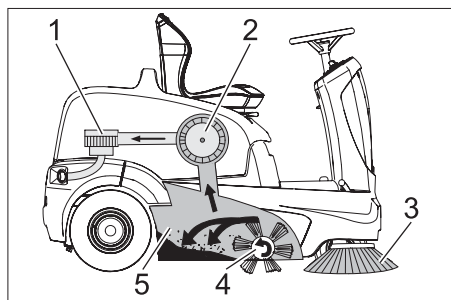
*Signale une situation potentiellement dangereuse. Le non-respect de cette consigne peut entraîner des blessures légères ou des dégâts matériels.*

#### Remarque

*Signale des conseils d'utilisation et d'importantes informations.*



## Fonction



La balayeuse fonctionne selon le principe du balayage par soulèvement et projection.

- Les balais latéraux (3) nettoient les angles et les bordures de la surface à balayer et acheminent les déchets dans la zone d'action de la brosse rotative.
- La brosse rotative (4) rejette directement les déchets dans le bac à poussières (5).
- La poussière qui se soulève dans le réservoir est recueillie par le filtre à poussières (2) et l'air filtré est aspiré par l'aspirateur (1).

## Utilisation conforme

L'utilisation de l'appareil doit être faite en conformité avec les consignes figurant dans les instructions de service.

- ➔ Il est nécessaire de contrôler l'état et la sécurité du fonctionnement de l'appareil et de ses équipements avant toute utilisation. Ne pas utiliser l'appareil si son état n'est pas irréprochable.
- Cette balayeuse est conçue pour le balayage de surfaces encrassées en intérieur et en extérieur.
- L'appareil n'est pas homologué pour la circulation routière.
- Cet appareil n'est pas conçu pour aspirer des poussières nocives.
- Aucune transformation ne doit être effectuée sur la machine.
- Ne jamais aspirer ni balayer de liquides explosifs, de gaz inflammables, ni d'acides ou de solvants non dilués ! Il s'agit notamment de substances telles que l'essence, les diluants pour peintures, ou le fuel, qui, en tourbillonnant avec l'air aspiré, risqueraient de produire des vapeurs ou des mélanges, ou de substances telles que l'acétone, les acides ou les solvants non dilués, qui pourraient altérer les matériaux constitutifs de l'appareil.
- N'aspirer ou ne balayer aucun objet en flamme ou incandescent.
- Cet appareil convient uniquement pour les revêtements de sol mentionnés dans le mode d'emploi.
- Il doit exclusivement être utilisé sur des surfaces autorisées par l'entrepreneur ou son représentant.
- Il est interdit de séjourner dans la zone à risque. Il est interdit d'exploiter l'appareil dans des pièces présentant des risques d'explosion.

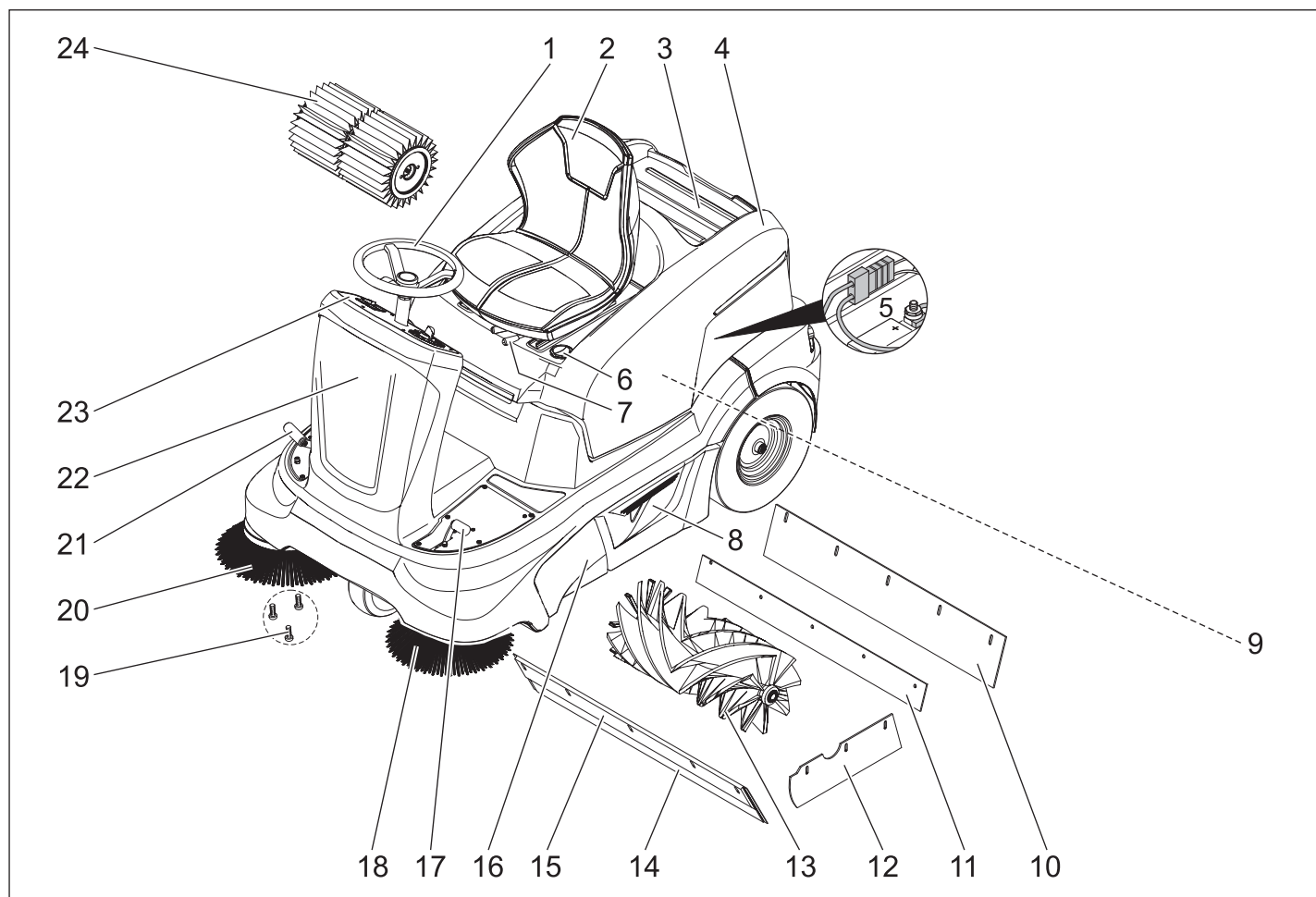
- En règle générale, il convient : d'éloigner les matériaux facilement inflammables de la machine (risque d'explosion ou d'incendie).

## Revêtements appropriés

- Asphalte
- Sol industriel
- Chape coulée
- Béton
- Pavé
- Tapis

## Protection de l'environnement

|  |  |
|--|--|
|  | Les matériaux constitutifs de l'emballage sont recyclables. Ne pas jeter les emballages dans les ordures ménagères, mais les remettre à un système de recyclage.   |
|  | Les appareils usés contiennent des matériaux précieux recyclables lesquels doivent être apportés à un système de recyclage. Il est interdit de jeter les batteries, l'huile et les substances similaires dans l'environnement. Pour cette raison, utiliser des systèmes de collecte adéquats afin d'éliminer les appareils hors d'usage. |

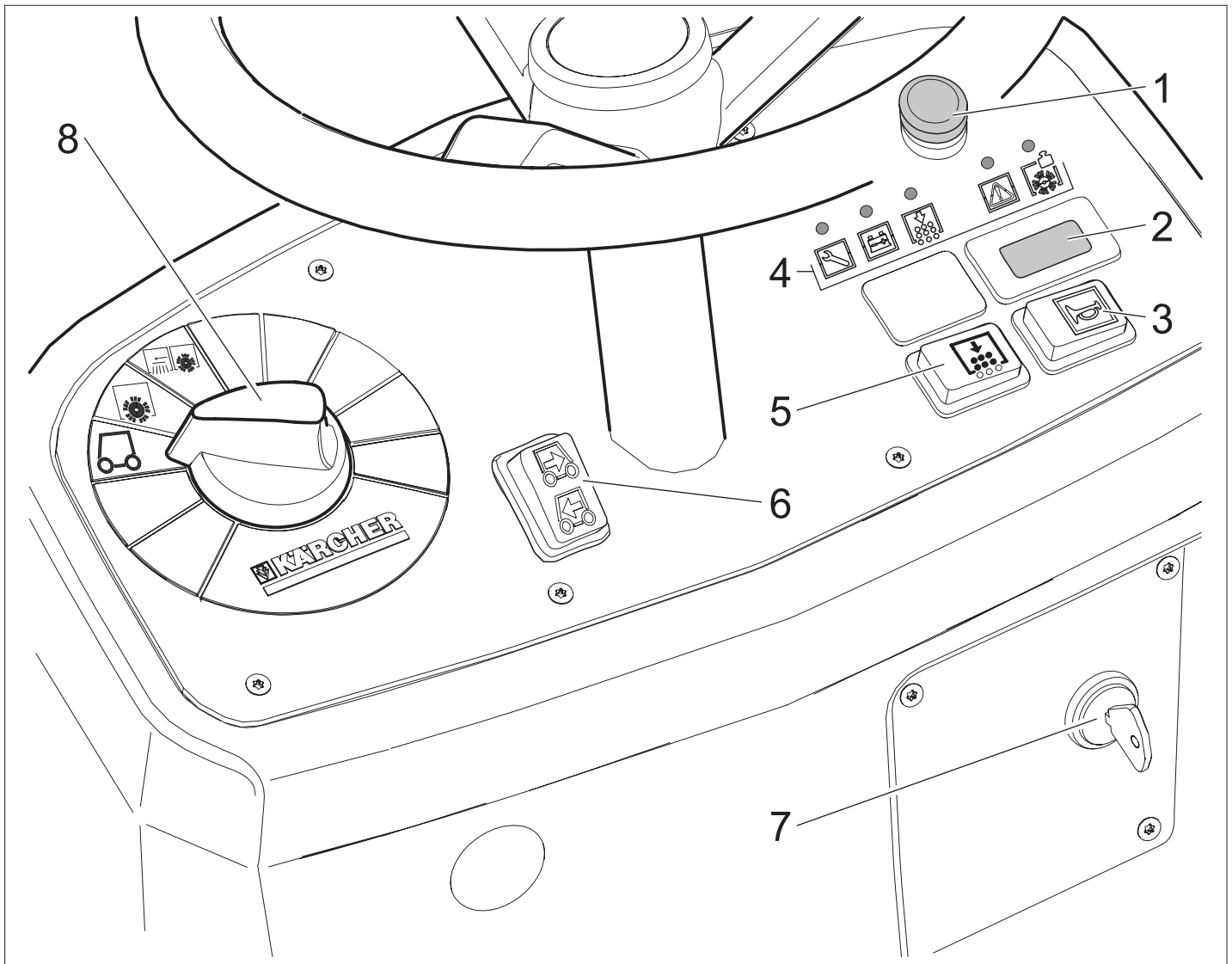


- 1 Volant
- 2 Siège (avec contacteur de siège)
- 3 Surface d'appui
- 4 Capot
- 5 Connecteurs de la batterie
- 6 Clapet sol sec/sol humide
- 7 Levier de réglage du siège
- 8 Bac à poussières (des deux côtés)
- 9 Fusibles (sous le capot de l'appareil)
- 10 Baguette d'étanchéité arrière
- 11 barre de caoutchouc
- 12 Bague d'étanchéité arrière
- 13 Brosse rotative
- 14 Baguette d'étanchéité avant
- 15 Trappe à gros déchets
- 16 Revêtement latéral
- 17 Pédale d'actionnement de la trappe à gros déchets (lever/abaisser)
- 18 Balai latéral gauche (en option)
- 19 Fixation du balai latéral
- 20 Balai latéral droit
- 21 Pédale de marche
- 22 Revêtement frontal
- 23 Pupitre de commande
- 24 Filtre à poussières

### Ouvrir/fermer le capot de l'appareil

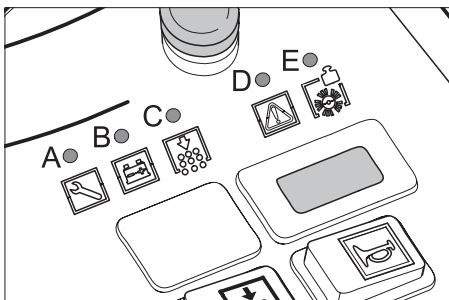
#### **⚠ Danger**

*Risque d'écrasement lors de la fermeture du capot de l'appareil. C'est pourquoi il faut abaisser lentement le capot de l'appareil.*



- 1 Touche d'arrêt d'urgence
- 2 Compteur d'heures de service
- 3 Avertisseur sonore
- 4 Témoins de contrôle
- 5 Nettoyage du filtre
- 6 Commutateur de sens de marche (avant/arrière)
- 7 Interrupteur à clé
- 8 Commutateur de programmes

**Témoins de contrôle**



- A Service (jaune)
- B Etat de charge de la batterie (rouge, jaune, vert)
- C Surcharge du nettoyage du filtre (rouge)
- D Surcharge du nettoyage du moteur de déplacement (rouge)
- E Surcharge de la brosse rotative (rouge)

## Avant la mise en service

### Batteries

#### Consignes de sécurité

Respecter impérativement ces consignes en cas de manipulation des batteries :

|  |  |
|--|--|
|  | Respecter les consignes situées sur la batterie, dans les instructions de service et dans le mode d'emploi du véhicule ! |
|  | Porter des lunettes de protection !  |
|  | Tenir les enfants à l'écart des acides et des batteries !  |
|  | Risque d'explosion !   |
|  | Toute flamme, matière incandescente, étincelle ou cigarette est interdite à proximité de la batterie !                   |
|  | Risque de brûlure!   |
|  | Premiers soins !   |
|  | Attention !  |
|  | Mise au rebut !  |
|  | Ne pas mettre la batterie au rebut dans le vide-ordures !  |

#### **⚠ Danger**

Risque d'explosion ! Ne jamais déposer d'outils ou d'objets similaires sur les bornes et les barrettes de connexion de la batterie.

#### **⚠ Danger**

Risque de blessure ! Ne jamais mettre en contact des plaies avec le plomb. Prendre soin de toujours se laver les mains après avoir manipulé la batterie.

#### **⚠ Danger**

Risque d'incendie et d'explosion!

- Il est interdit de fumer ou de faire brûler des objets.
- Les espaces dans lesquelles sont chargées les batteries doivent être bien aérés,

puisque au chargement peut apparaître du gaz très explosif.

- Les batteries ne doivent pas être chargées en extérieur

#### **⚠ Danger**

Risque de brûlure!

- Des éclaboussures d'acide dans l'œil ou sur la peau laver avec l'eau.
- Après voir immédiatement le médecin.
- Laver les vêtements salés avec l'eau.

#### **Montage et branchement des batteries**

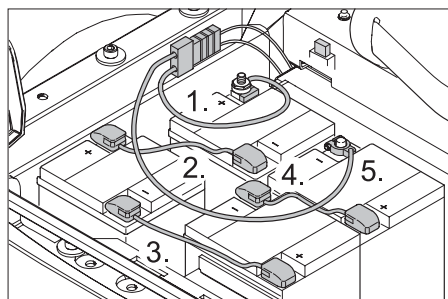
- Ouvrir le capot de l'appareil.
- Placer les batteries dans leur support de batterie.
- Régler le tampon de caoutchouc pour la fixation des batteries en conséquence.

#### **⚠ Avertissement**

Veiller à respecter les polarités appropriées.

#### **Remarque**

Les conduites de connexion ne sont pas inclus dans la fourniture.



- Monter la cosse (câble rouge) sur le pôle plus (+) de la batterie.
- Visser les lignes de connexion sur les batteries.
- Monter la cosse sur le pôle moins (-) de la batterie.

#### **Remarque**

Il convient de toujours débrancher le pôle moins en premier lors du démontage de la batterie. Enduire les pôles de la batterie et les cosses de graisse pour les protéger.

#### **⚠ Avertissement**

Charger les batteries avant de mettre l'appareil en service.

#### **Charger les batteries**

#### **⚠ Danger**

Risque de blessure ! Respecter les consignes de sécurité pour l'utilisation de batteries. Lire avec attention le mode d'emploi du chargeur de batterie.

#### **⚠ Danger**

Charger les batteries uniquement avec un chargeur approprié.

#### **Remarque**

Lorsque les batteries sont chargées, débrancher en premier le chargeur du réseau, puis séparer de la batterie.

- Ouvrir le capot de l'appareil.
- Séparer les connecteurs de batterie et raccorder le câble de charge du chargeur.
- Brancher la fiche secteur et mettre le chargeur en service.

#### **Remarque**

Les chargeurs recommandés (adaptables à toutes les batteries) disposent d'une réglage électronique et mettent fin automatiquement à la procédure de charge. Lors de la procédure de charge, toutes les fonctions de l'appareil sont automatiquement interrompues.

#### **Batteries à maintenance réduite**

- Relever le capot de l'appareil pour recharger les batteries à maintenance réduite.
- Respecter impérativement les consignes du fabricant de batterie pour recharger une batterie à maintenance réduite.
- Ajouter de l'eau distillée une heure avant la fin de la procédure de charge. Respecter le niveau d'acidité approprié. Les mentions correspondantes figurent sur la batterie.

#### **⚠ Danger**

Risque de brûlure. Des fuites d'acide peuvent survenir lors du remplissage de la batterie déchargée ! Porter impérativement des lunettes de protection lors de toute manipulation d'acide de batterie et respecter les consignes afin d'éviter les blessures et l'endommagement des vêtements. En cas de projection d'acide sur la peau ou les vêtements, rincer immédiatement et abondamment à l'eau.

#### **⚠ Avertissement**

Risque d'endommagement. Pour remplir la batterie, utiliser uniquement de l'eau distillée ou désalée (spécification VDE 0510). N'employer aucun additif (produit dit d'amélioration) sous peine d'annulation de toute garantie.

#### **Après la procédure de charge**

- Mettre le chargeur hors tension et le débrancher du secteur.
- Débrancher le connecteur de la batterie du câble du chargeur et le raccorder à l'appareil.

#### **Vérifier le niveau de remplissage de la batterie et faire l'appoint**

#### **⚠ Avertissement**

Pour les batteries contenant de l'acide, contrôler régulièrement le niveau de liquide.

- L'acide d'une batterie complètement chargée a à 68 °F (20 °C) le poids spécifique de 10.85 lbs/gal (1.28 kg/l).
- L'acide d'une batterie en partie déchargée a le poids spécifique entre 8.46 et 10.85 lbs/gal (1.00 et 1.28 kg/l).
- Dans toutes les cellules le poids spécifique de l'acide doit être le même.
- Ouvrir tous les orifices d'alimentation des compartiments.
- Faire des prélèvements de chaque cellule avec le pèse-acide.
- Redonner le prélèvement d'acide à la même cellule.
- Si le niveau de liquide est trop bas, remplir d'eau distillée jusqu'au repère.
- Recharger la batterie.

- Fermer les orifices des compartiments.

## Déchargement de la machine

### ⚠ Avertissement

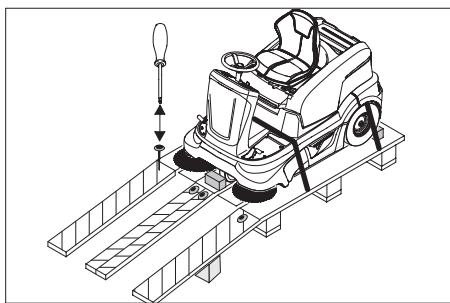
N'utiliser en aucun cas un élévateur pour décharger cette machine sous peine de l'endommager.

### Remarque

Pour mettre l'appareil immédiatement hors service, appuyer sur la touche d'arrêt d'urgence et mettre l'interrupteur à clé sur la position "0".

Pour décharger cet appareil, procéder comme suit :

- Retirer le film plastique après avoir déchiré l'adhésif.
- Retirer les sangles de fixation des points d'ancrage.
- Quatre planches de fond identifiées de la palette sont vissées. Dévisser ces planches.
- Poser les planches sur le bord de la palette. Orienter les planches de manière à ce qu'elles reposent en amont des roues de l'appareil. Fixer les planches à l'aide des vis.



- Pousser les barre de soutien contenue dans l'emballage sous la rampe.
- Retirer le billot servant au blocage des roues et le pousser sous la rampe.

### (1) Appareil sans batterie intégrée

- Desserrer le frein de stationnement (voir la section Pousser la balayeuse).
- Pousser l'appareil hors de la palette sur la rampe ainsi installée.

### (2) Appareil avec batterie intégrée

- Brancher la batterie (voir chapitre Entretien et maintenance).
- Tourner la touche d'arrêt d'urgence pour la déverrouiller.
- Mettre l'interrupteur à clé sur "1".
- Actionner le commutateur de direction et faire descendre doucement l'appareil sur la rampe.
- Mettre de nouveau l'interrupteur à clé sur "0".

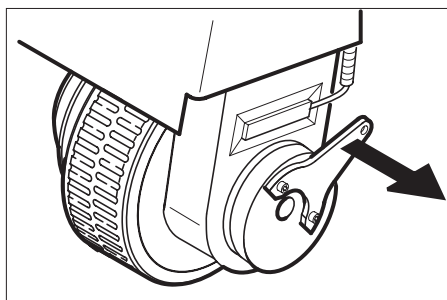
## Pousser la balayeuse

### ⚠ Danger

- Risque de blessure ! Avant de desserrer manuellement le frein de stationnement, il convient de sécuriser la machine afin qu'elle ne puisse rouler librement. Après avoir desserré le frein de stationnement, l'appareil roule jusqu'à ce qu'il atteigne une vitesse de

2.8 mph (4.5 km/h) environ. L'électronique freine ensuite l'appareil.

- Il est interdit de desserrer le frein de stationnement sur une pente sans cale.



- Écarter le levier de frein de la roue et le maintenir dans cette position.

Ainsi, le frein de stationnement est hors service et l'appareil peut être poussé.

## Mise en service

### Consignes générales

L'appareil freine électriquement jusqu'à l'arrêt quand une des conditions suivantes est remplie.

- Le pied a été retiré de la pédale d'accélérateur.
- Le siège du conducteur a été quitté pendant plus d'une seconde.
- L'interrupteur à clé a été mis sur "0".

Le frein de stationnement automatique agit uniquement à l'arrêt.

- Garer la balayeuse sur une surface plane.
- Retirer la clé.

### Travaux de contrôle et de maintenance

- Vérifier le niveau de charge de la batterie.
- Contrôler les balais latéraux.
- Vérifier la brosse rotative.
- Nettoyer le filtre à poussières.
- Vider le bac à poussières.
- Vérifier la pression des pneus.

### Remarque

Voir description au chapitre Entretien et maintenance.

## Fonctionnement

### Réglage du siège du conducteur

- Tirer le levier de réglage du siège vers l'intérieur.
- Déplacer le siège, relâcher le levier et enclencher le siège.
- Essayer de pousser le siège vers l'avant ou vers l'arrière afin de vérifier qu'il est bien enclenché.

### Vérifier le niveau de charge de la batterie

- La lampe témoin est allumée en vert. La batterie est chargée (100 ... 40%).
- La lampe témoin est allumée en jaune. La batterie est déchargée à 40...20%.
- La lampe témoin clignote en rouge.

La batterie est quasiment déchargée. Le mode Balayage sera interrompu automatiquement très bientôt.

- La lampe témoin est allumée en rouge. La batterie est déchargée. Le mode Balayage est automatiquement terminé (remise en service des blocs de balayage uniquement possible après avoir chargé la batterie).

- Amener immédiatement l'appareil à la station de charge en évitant les pentes.
- Recharger la batterie.

## Contrôler le frein d'immobilisation

### ⚠ Danger

Risque d'accident. Avant toute mise en service, il convient de vérifier le fonctionnement du frein d'immobilisation sur une surface plane.

- Régler la position du siège.
- Tourner la touche d'arrêt d'urgence pour la déverrouiller.
- Mettre l'interrupteur à clé sur "1".
- Actionner le commutateur de sens de marche (avant/arrière).
- Appuyer légèrement sur la pédale d'accélérateur.
- Le frein doit se déverrouiller de manière audible. Sur une surface plane, l'appareil doit avancer légèrement. Lorsque la pédale est relâchée, le frein se déclenche de manière audible. Dans le cas contraire, mettre l'appareil hors service et contacter le service après-vente.

## Surface d'appui

### Remarque

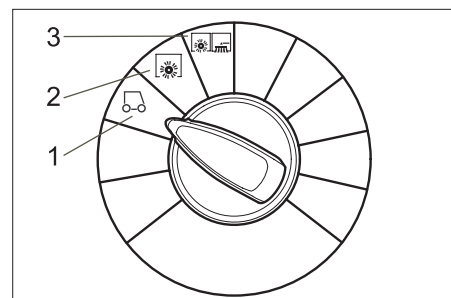
La charge maximale admissible de la surface d'appui est de 44.1 lbs (20 kg).

- Fixer la charge par un moyen de fixation approprié aux 4 oeillets.

## Touche d'arrêt d'urgence

- L'appareil dispose d'un bouton d'arrêt d'urgence. Si ce bouton est actionné, l'appareil s'arrête de manière abrupte et le frein de stationnement automatique agit.
- Pour remettre l'appareil en service, déverrouiller en premier la touche d'arrêt d'urgence puis mettre le commutateur à clé brièvement hors puis de nouveau en service.

## Choix des programmes



- 1 Déplacement  
Déplacer l'appareil vers le lieu d'utilisation.

- 2 Balayage avec brosse rotative  
La brosse rotative est abaissée. La brosse rotative et le balai latéral tournent.
- 3 Balayer avec la brosse rotative et les balais latéraux  
Les balais latéraux et la brosse rotative sont abaissés.

### Mettre l'appareil en marche

#### Remarque

L'appareil est équipé d'un siège avec contact de sécurité. Lorsque le conducteur quitte l'appareil, l'appareil freine automatiquement au terme d'un temporisation d'environ 1,5 seconde et les fonctions de balayage activées sont stoppées.

- Prendre place sur le siège du conducteur.
- NE PAS actionner la pédale d'accélérateur.
- Régler le commutateur de programmes sur 1 (déplacement).
- Mettre l'interrupteur à clé sur "1".

### Déplacer la balayeuse

#### ⚠ Danger

Risque d'accident. Si l'appareil ne développe plus aucun effet de freinage, procéder comme suit :

- Pour des raisons de sécurité, si l'appareil ne s'immobilise pas sur une rampe dont l'inclinaison est supérieure à 2 % lorsque la pédale d'accélérateur est relâchée, n'appuyer sur la touche d'arrêt d'urgence que si le fonctionnement mécanique du frein de stationnement a préalablement été vérifié et déclaré opérationnel à chaque mise en service de l'appareil.
- Lorsque l'appareil est à l'arrêt (sur une surface plane), le mettre hors service et contacter le service après-vente !
- De plus, respecter les consignes d'entretien relatives aux freins.
- Tourner la touche d'arrêt d'urgence pour la déverrouiller.
- S'asseoir et mettre l'interrupteur à clé sur "1".

#### Avancer

- Mettre le commutateur de sens de marche sur "Avant".
- Appuyer lentement sur la pédale d'accélérateur.

#### Reculer

#### ⚠ Danger

- Risque de blessure ! En reculant, aucun danger ne peut exister pour des troisièmes, le cas échéant laisser vous guider.
- Un ton avertisseur à impulsions retentit lors de la marche arrière.
- La vitesse de déplacement en marche arrière est inférieure à la vitesse de déplacement en avant pour des raisons de sécurité.
- Mettre le commutateur de sens de marche sur "Arrière".

- Appuyer lentement sur la pédale d'accélérateur.

#### Remarque

Pour la conduite

- Le pédale d'accélérateur permet de régler la vitesse de déplacement de façon continu.

#### Freinage

- La machine freine automatiquement et s'immobilise lorsque la pédale d'accélérateur avant est relâchée.

#### Franchissement des obstacles

Franchir des obstacles fixes jusqu'à 2.0 in (50 mm) de hauteur :

- Franchir l'obstacle avec précaution en avançant lentement.

Franchir des obstacles fixes de plus de 2.0 in (50 mm) de hauteur :

- Le véhicule ne peut franchir ces obstacles qu'avec une rampe appropriée.

#### Surcharge du moteur de déplacement

En cas de surcharge, le moteur de traction est désactivé après une durée définie. La lampe témoin "Surcharge du moteur de traction" est allumé en rouge dès que le courant du moteur de traction est limité. En cas de surchauffe de la commande, tous les entraînements en dehors de la sirène et du nettoyage du filtre sont mis hors service.

- Laisser refroidir l'appareil au moins 15 minutes.
- Positionner l'interrupteur à clé sur "0", attendre quelques secondes puis le positionner de nouveau sur "1".

### Balayage

#### ⚠ Danger

Risque de blessure ! Lorsque la trappe à gros déchets est ouverte, la brosse rotative peut projeter des pierres ou des graviers vers l'avant. Veiller à ne mettre en danger aucune personne, animal ou objet.

#### ⚠ Avertissement

Ne balayer ni bandes adhésives, ni fils de fer ou autres matériaux risquant de détériorer le mécanisme de balayage.

#### ⚠ Avertissement

Afin d'éviter d'endommager le sol, ne pas utiliser la balayeuse sans qu'elle ne se déplace.

#### Remarque

Adapter la vitesse du véhicule en fonction du lieu pour obtenir un résultat de balayage optimal.

#### Remarque

Le bac à poussières doit être vidé régulièrement pendant l'utilisation de la balayeuse.

#### Remarque

Pour un nettoyage de surface, abaisser seulement la brosse rotative.

#### Remarque

Pour le nettoyage de bordures, abaisser également les balais latéraux.

#### Balayage avec brosse rotative

- Tourner le commutateur de programmes sur 2 . La brosse rotative est abais-

sée. La brosse rotative et le balai latéral tournent.

#### Balayage avec trappe à gros déchets relevée

#### Remarque

La trappe à gros déchets doit être brièvement levée pour permettre l'aspiration d'objets pouvant aller jusqu'à 2.0 in (50 mm) de hauteur, comme les paquets de cigarettes. Relever la trappe à gros déchets :

- Maintenir la pédale de la trappe à gros déchets enfoncée.
- Pour l'abaisser, relâcher la pédale.

#### Remarque

Pour obtenir un résultat optimal, la trappe à gros déchets doit être intégralement abaissée.

#### Balayage avec balais latéraux

- Tourner le commutateur de programmes sur 3 . Les balais latéraux ainsi que la brosse rotative sont abaissés.

#### Remarque

La brosse rotative et les balais latéraux fonctionnent de manière automatique.

#### Balayage de sols secs

#### Remarque

Le bac à poussières doit être vidé régulièrement pendant l'utilisation de la balayeuse.

#### Remarque

Le filtre à poussières doit être nettoyé régulièrement pendant l'utilisation de la balayeuse.



- Fermer le clapet sol sec/sol humide

#### Balayer les poussières fibreuses et sèches (par ex. herbe sèche, paille)

- Ouvrir le clapet sol sec/sol humide

#### Remarque

On empêche ainsi que le système de filtration ne se bouche.

#### Balayage de sols humides ou mouillés

- Ouvrir le clapet sol sec/sol humide

#### Remarque

Le filtre est ainsi protégé de l'humidité.

#### Nettoyage du filtre

- Activer le nettoyage manuel du filtre.



- Appuyer sur le bouton Nettoyage du filtre. Le filtre est nettoyé pendant 15 secondes.

### Vider le bac à poussières.

#### Remarque

Attendre la fin du nettoyage du filtre et le dépôt des poussières avant d'ouvrir et de vider le bac à poussières.

- Soulever légèrement et retirer le bac à poussières.
- Vider le bac à poussières.

- Insérer et enclencher le bac à poussières.
- Vider le bac à poussières du côté opposé.

### Mise hors service de l'appareil

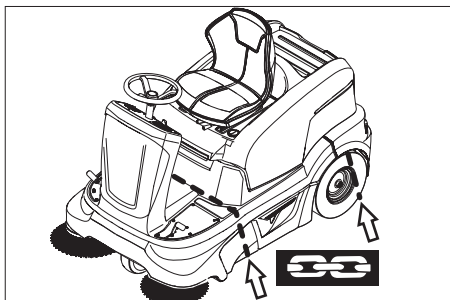
- Régler le commutateur de programmes sur 1 (déplacement). Relever les balais latéraux et la brosse rotative.
- Positionner l'interrupteur à clé sur "0" et retirer la clé.

#### Remarque

- Après l'arrêt de la machine, le filtre à poussières est automatiquement nettoyé pendant 15 secondes. Ne pas ouvrir le capot de l'appareil pendant cette durée.
- L'appareil dispose d'une mise hors service automatique pour protéger les batteries de la décharge. Si l'appareil n'est pas utilisé pendant plus de 30 minutes avec le commutateur à clé en service, il se met hors service de manière autonome.

### Transport

- Positionner l'interrupteur à clé sur "0" et retirer la clé.
- Sécuriser le véhicule à l'aide de cales sous les roues.
- Arrimer la machine avec des sangles ou des cordes.



#### Remarque

Respecter les points d'arrimage symbolisés par des chaînes situés sur le châssis. Ne pas charger ni décharger la machine sur des pentes supérieures à 12%.

### Remisage

Respecter les instructions suivantes si la machine doit rester inutilisée pendant un certain temps :

- Garer la balayeuse sur une surface plane.
- Régler le commutateur de programmes sur 1 (déplacement). Relever la brosse rotative et les balais latéraux afin de prévenir l'endommagement des brosses.
- Positionner l'interrupteur à clé sur "0" et retirer la clé.
- Sécuriser la balayeuse afin qu'elle ne puisse rouler librement.
- Nettoyer l'intérieur et l'extérieur de la balayeuse.

### ⚠ Avertissement

Risque d'endommagement dû à des infiltrations d'eau ! L'appareil ne doit en aucun cas être exposé à un nettoyeur haute pression.

- Garer la machine dans un endroit protégé et sec.
- Débrancher la batterie.
- Charger la batterie tous les 2 mois environ.

## Entretien et maintenance

### Consignes générales

- Avant de nettoyer ou d'entretenir l'appareil, de changer des pièces ou le basculer sur une autre fonction, l'appareil doit être arrêté et la clé retirée.
- Débrancher ou couper la fiche de la batterie en cas de travaux à la machine électrique
- Les maintenances doivent être uniquement effectuées par des services d'assurances au client autorisés ou par des spécialistes.
- Les appareils utilisés industriellement à des locaux différents doivent être avoir effectués une révision de protection selon VDE 0701.
- Utiliser uniquement le rouleau balayeur qui est livré avec l'appareil ou celui-ci qui est fixé dans le manuel d'utilisation. L'utilisation d'autres rouleaux balayeurs peut préjudicé la sécurité.

### Nettoyage

#### ⚠ Avertissement

Risque d'endommagement ! L'appareil ne peut être nettoyé à l'eau avec un flexible ou au jet haute pression (Danger de court-circuits ou autres dégâts).

#### Nettoyage intérieur du véhicule.

#### ⚠ Danger

Risque de blessure ! Porter un masque et des lunettes de protection.

- Ouvrir le capot de l'appareil.
- Essuyer le véhicule avec un chiffon.
- Nettoyer le véhicule à l'air comprimé.
- Fermer le capot.

#### Nettoyage extérieur de l'appareil

- Nettoyer l'extérieur du véhicule avec un chiffon humide et un détergent doux.

#### Remarque

N'utiliser aucun détergent corrosif.

### Fréquence de maintenance

#### Remarque

Le compteur d'heures de service indique la fréquence des travaux de maintenance.

#### Maintenance par le client

Maintenance quotidienne :

- Contrôler le degré d'usure du balai-brosse et de la balayeuse latérale et vérifier l'enroulement des bandes.
- Vérifier la pression des pneus.
- Vérifier le fonctionnement de tous les éléments de commande.

Maintenance hebdomadaire :

- Vérifier le niveau de liquide de la batterie.
- Vérifier la maniabilité des pièces mobiles.
- Vérifier le réglage et le degré d'usure des joints dans le domaine de balayage.
- Contrôler le filtre à poussière et le cas échéant nettoyer le logement de filtre.

Maintenance toutes les 100 heures de service :

- Vérifier le fonctionnement du contacteur du siège.
- Vérifier le niveau d'acide de la batterie.
- Vérifier la tension, l'usure et le bon fonctionnement des courroies (trapézoïdale et ronde).

Maintenance en fonction de l'usure :

- Changer les baguettes d'étanchéité.
- Changer la brosse rotative.
- Changer les balais latéraux.

#### Remarque

Pour la description, voir chapitre Travaux de maintenance.

#### Remarque

Tous les travaux d'entretien qui relèvent du client doivent être effectués par une personne qualifiée. A tout moment, celle-ci peut faire appel à un technicien Windsor.

#### Maintenance par le service après-vente

Maintenance après 5 heures de service :

- Effectuer la première inspection.

Maintenance toutes les 50 heures de service :

Maintenance toutes les 100 heures de service :

#### Remarque

Pour éviter de perdre le bénéfice de la garantie, veuillez confier au service après-vente Windsor agréé tous les travaux de maintenance et d'entretien pendant la durée de la garantie.

### Travaux de maintenance

Préparation :

- Garer la balayeuse sur une surface plane.
- Positionner l'interrupteur à clé sur "0" et retirer la clé.
- Appuyer sur la touche d'arrêt d'urgence.

#### Consignes de sécurité générales

#### ⚠ Danger

Risque de blessure !

Le moteur du nettoyage du filtre continue de tourner 15 secondes après l'arrêt. Ne pas ouvrir le capot de l'appareil pendant cette période.

#### ⚠ Danger

Risque de blessure ! Laisser suffisamment refroidir la machine avant d'entreprendre des travaux de maintenance ou des réparations.

#### Vérifier le niveau de remplissage de la batterie et faire l'appoint

#### ⚠ Avertissement

Pour les batteries contenant de l'acide, contrôler régulièrement le niveau de liquide.

- Ouvrir tous les orifices d'alimentation des compartiments.
- Si le niveau de liquide est trop bas, remplir d'eau distillée jusqu'au repère.
- Recharger la batterie.
- Fermer les orifices des compartiments.

### Contrôler la pression des pneus

- Garer la balayeuse sur une surface plane.
- Brancher le manomètre sur la valve du pneu.
- Vérifier la pression et corriger si nécessaire.
- La pression des pneus arrière doit être de 90 psi (6 bar).

### Changement de roue

#### ⚠ Danger

Risque de blessure !

- Garer la balayeuse sur une surface plane.
- Retirer la clé.
- Si les réparations doivent être effectuées sur la voie publique lors de circulation fréquente, il convient de porter des vêtements de sécurité.
- Vérifier la stabilité du sol. Sécuriser le véhicule à l'aide de cales afin qu'il ne puisse rouler.

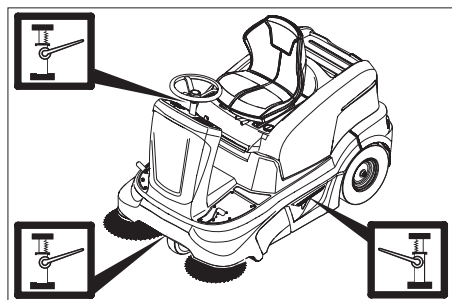
#### Vérifier les pneus

- Vérifier que la surface du pneu est exempte de corps étrangers.
- Le cas échéant, retirer les corps étrangers.
- Utiliser un set de réparation de pneus approprié et standard.

#### Remarque

Tenir compte des conseils du fabricant. Observer les données du fabricant concernant une éventuelle reprise du service. Changer la roue ou le pneu le plus rapidement possible.

- Soulever légèrement et retirer le bac à poussière sur le côté correspondant.



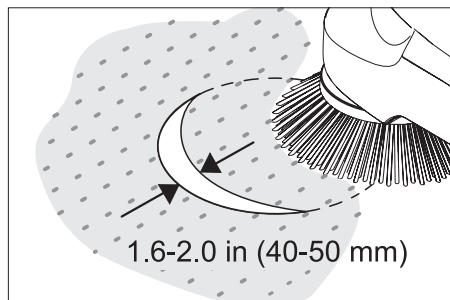
- Positionner le cric sous le point de levage correspondant à la roue avant ou arrière à démonter.
- Lever le véhicule à l'aide du cric.
- Retirer la vis à six pans (uniquement roue arrière).
- Enlever la roue.
- Mettre la roue de rechange.
- Monter la vis à six pans (uniquement roue arrière).
- Abaisser le véhicule à l'aide du cric.
- Insérer et enclencher le bac à poussières.

#### Remarque

Utiliser un cric standard approprié.

### Vérifier la surface de balayage du balai latéral

- Vérifier la pression des pneus.
- Lever les balais latéraux.
- Déplacer la balayeuse sur un sol plan et lisse, recouvert de poussière ou de craie.
- Abaisser le balai latéral et laisser tourner un court laps de temps.
- Lever les balais latéraux.
- Déplacer le véhicule en marche arrière.
- Garer la balayeuse sur une surface plane.
- Contrôler la surface de balayage.



La largeur de la trace de balayage doit être entre 1.6 et 2.0 in (40 et 50 mm).

#### Remarque

La position des crins des balais latéraux s'ajustent automatiquement grâce aux fixations flottantes. En cas d'usure trop importante, il convient de remplacer les balais.

### Remplacer les balais latéraux

- Garer la balayeuse sur une surface plane.
- Régler le commutateur de programmes sur 1 (déplacement). Les balais latéraux sont relevés.
- Positionner l'interrupteur à clé sur "0" et retirer la clé.
- Desserrer les 3 vis de fixation sur le côté inférieur.
- Fixer un nouveau balai et serrer les écrous.

### Contrôler la brosse rotative.

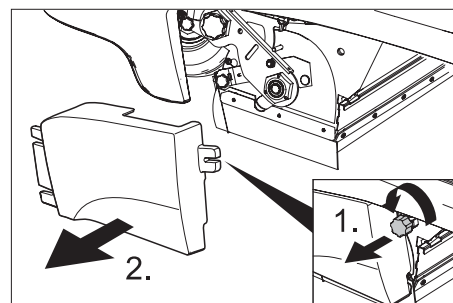
- Garer la balayeuse sur une surface plane.
- Régler le commutateur de programmes sur 1 (déplacement). La brosse rotative est relevée.
- Positionner l'interrupteur à clé sur "0" et retirer la clé.
- Sécuriser le véhicule à l'aide de cales afin qu'il ne puisse rouler.
- Ôter les fils et bandes de la brosse rotative.

### Changer la brosse rotative

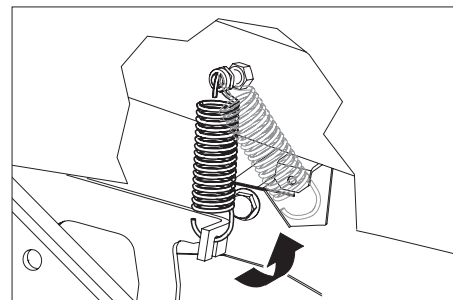
Il est nécessaire de remplacer la brosse lorsque le nettoyage devient moins efficace à cause de l'usure des crins.

- Garer la balayeuse sur une surface plane.
- Régler le commutateur de programmes sur 1 (déplacement). La brosse rotative est relevée.

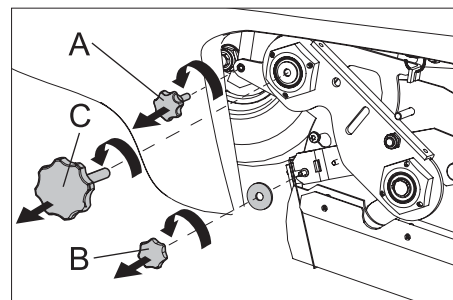
- Positionner l'interrupteur à clé sur "0" et retirer la clé.
- Sécuriser le véhicule à l'aide de cales afin qu'il ne puisse rouler.
- Soulever légèrement et retirer le bac à poussière sur le côté gauche.



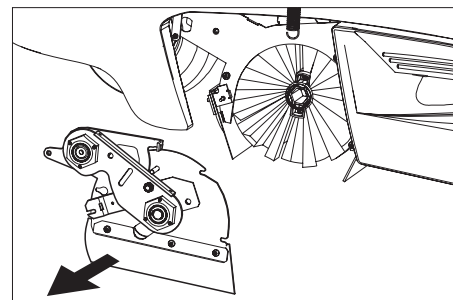
- Desserrer la vis de fixation de l'habillage latéral gauche.
- Déposer l'habillage latéral.



- Décrocher le ressort de traction.

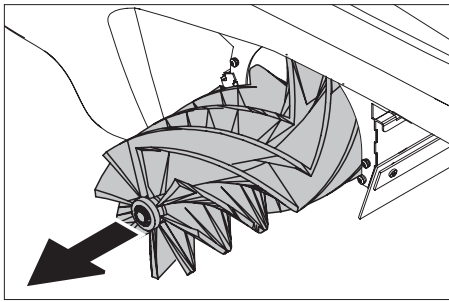


- A Vis de fixation du boîtier de dépression
- B Ecrou de fixation de la trappe à gros déchets
- C Vis du dispositif de basculement de la brosse rotative
- Dévisser la vis de fixation de la boîte de dépression et desserrer le levier.
- Dévisser l'écrou de fixation de la trappe à gros déchets et décrocher cette dernière.
- Dévisser les vis du dispositif de basculement de la brosse rotative.

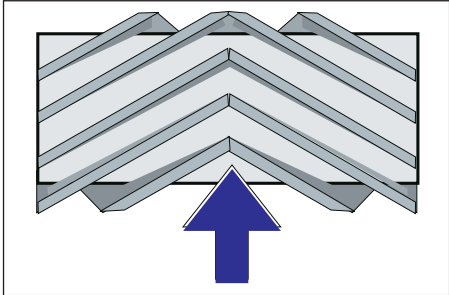


- Pousser le couvercle de brosse rotative vers la gauche et le retirer.





→ Extraire la brosse rotative.



Positionner la brosse rotative dans le sens de la marche.

→ Pousser la brosse rotative dans son support et l'enclencher sur les tenons d'entraînement.

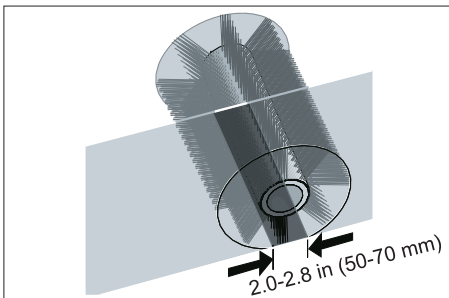
#### Remarque

Veiller au bon positionnement de la brosse lors du montage.

- Monter le cache de la brosse.
- Visser les vis et les écrous de fixation.
- Accrocher le ressort de traction.
- Fixer l'habillage latéral.
- Insérer et enclencher le bac à poussières des deux côtés.

#### Vérifier la surface de balayage de la brosse rotative

- Régler le commutateur de programmes sur 1 (déplacement). Les balais latéraux et la brosse rotative sont relevés.
- Déplacer la balayeuse sur un sol plan et lisse, recouvert de poussière ou de craie.
- Tourner le commutateur de programmes sur 2. La brosse rotative est abaissée. Actionner légèrement la pédale d'accélérateur et faire tourner la brosse rotative pendant un court moment.
- Remonter la brosse.
- Maintenir la pédale d'actionnement de la trappe à gros déchets enfoncée.
- Déplacer le véhicule en marche arrière.



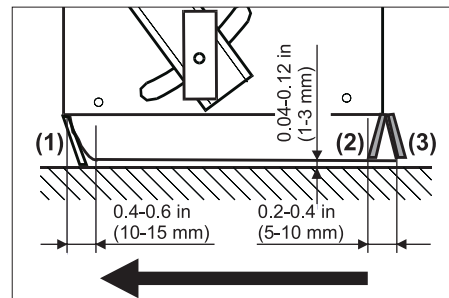
La trace de balayage doit former un rectangle régulier d'une largeur de 2.0 à 2.8 in (50 à 70 mm).

#### Remarque

La position des crins de balayage s'ajuste automatiquement grâce à la fixation flottante de la brosse rotative. En cas d'usure trop importante, il convient de changer la brosse rotative.

#### Régler et remplacer les baguettes d'étanchéité

- Garer la balayeuse sur une surface plane.
- Régler le commutateur de programmes sur 1 (déplacement). La brosse rotative est relevée.
- Positionner l'interrupteur à clé sur "0" et retirer la clé.
- Appuyer sur la touche d'arrêt d'urgence.
- Sécuriser le véhicule à l'aide de cales afin qu'il ne puisse rouler.
- Soulever légèrement et retirer le bac à poussière des deux côtés.
- Ôter les vis de fixation des habillages latéraux sur les deux côtés.
- Déposer les habillages latéraux.
- **Baguette d'étanchéité avant**
- Desserrer les boulons de la baguette d'étanchéité avant (1) puis les dévisser pour procéder à l'échange.
- Fixer la nouvelle baguette à l'aide des boulons sans les serrer.



- Orienter la baguette d'étanchéité.
- Régler la baguette avant de sorte qu'elle s'incurve et présente une traîne de 0.4 à 0.6 in (10 à 15 mm).
- Serrer les boulons.
- **barre de caoutchouc**
- La remplacer en cas d'usure.
- Dévisser les écrous de fixation de la barre en caoutchouc (2).
- Fixer la nouvelle barre de caoutchouc.
- **Baguette d'étanchéité arrière**
- Régler la baguette arrière de sorte qu'elle s'incurve et présente une traîne de 0.2 à 0.4 in (5 à 10 mm).
- La remplacer en cas d'usure.
- Dévisser les boulons de la baguette d'étanchéité arrière (3).
- Fixer la nouvelle baguette d'étanchéité.
- **Baguettes d'étanchéité latérales**
- Desserrer les boulons des baguettes d'étanchéité latérales puis les dévisser pour procéder à l'échange.
- Fixer la nouvelle baguette à l'aide des boulons sans les serrer.
- Insérer une cale d'épaisseur de 0.04 à 0.12 in (1 à 3 mm) afin de régler l'écartement avec le sol.
- Orienter la baguette d'étanchéité.

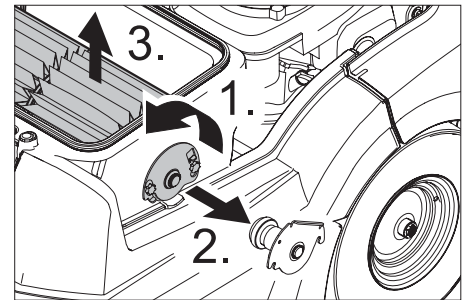
- Serrer les boulons.
- Fixer les habillages latéraux.
- Insérer et enclencher le bac à poussières des deux côtés.

#### Remplacer le filtre à poussières

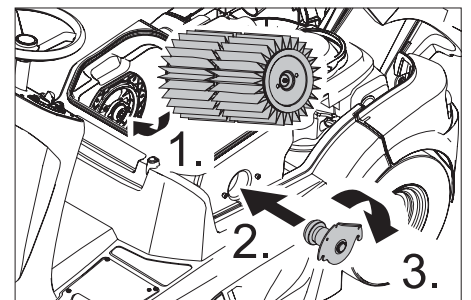
##### ⚠ Danger

Vider le bac à poussières avant de procéder au remplacement du filtre. Porter un masque de protection pour effectuer des travaux de maintenance sur le système de filtration. Respecter les consignes de sécurité concernant la manipulation de fines poussières.

- Positionner l'interrupteur à clé sur "0" et retirer la clé.
- Appuyer sur la touche d'arrêt d'urgence.
- Ouvrir le capot de l'appareil.



- Desserrer les vis de fixation.
- Pousser le support de filtre vers le haut et le retirer.
- Retirer le filtre à lamelles.
- Insérer le nouveau filtre.

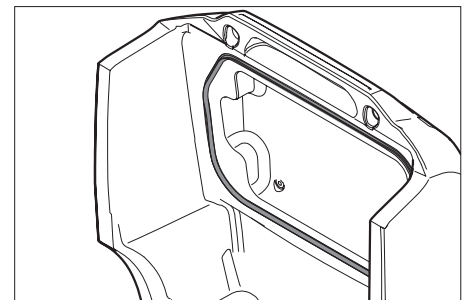


- Enclencher l'entraîneur dans les rainures du côté de l'entraînement.
- Remettre le support de filtre en place et le pousser vers le bas.
- Serrer les vis de fixation.

#### Remarque

Lors du montage du nouveau filtre, veiller à ne pas endommager les lamelles.

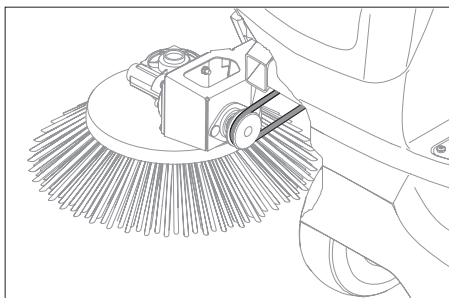
#### Remplacement du joint d'étanchéité du boîtier du filtre



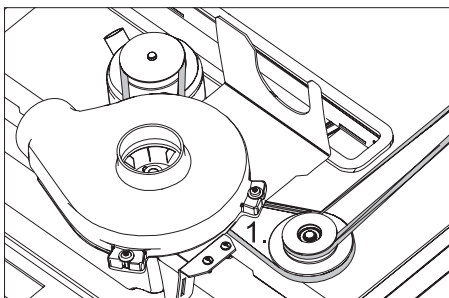
- Sous le capot, extraire le joint d'étanchéité du boîtier de la rainure.
- Mettre un nouveau joint en place.

### Vérifier les courroies d'entraînement

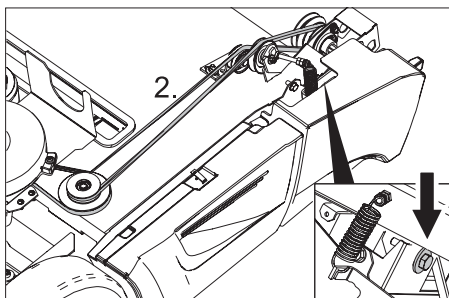
- Positionner l'interrupteur à clé sur "0" et retirer la clé.
- Appuyer sur la touche d'arrêt d'urgence.
- Ouvrir le capot de l'appareil.



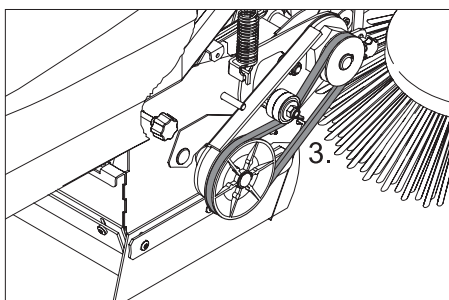
- Vérifier la tension, l'usure et le bon état de la courroie ronde du balai latéral.



- Vérifier la tension, l'usure et le bon état de la courroie trapézoïdale de l'entraînement de brosse rotative.

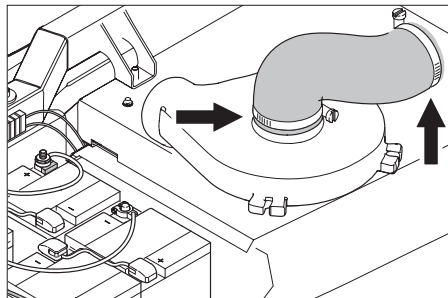


- Vérifier la tension, l'usure et le bon état de la courroie trapézoïdale de l'entraînement de brosse rotative.
- Le cas échéant, retendre la courroie trapézoïdale avec la vis.



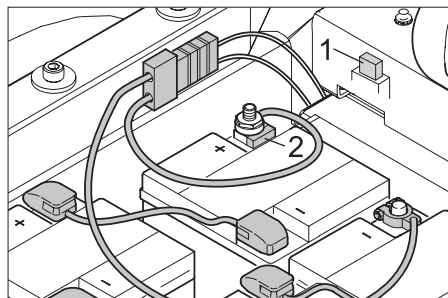
- Vérifier la tension, l'usure et le bon état de la courroie trapézoïdale de l'entraînement de brosse rotative.

### Contrôler le ventilateur d'aspiration



- Contrôler l'étanchéité du flexible sur le ventilateur d'aspiration.

### Remplacer le fusible



- 1 Fusibles à raccord plat véhicule
  - 2 Fusible à broche
- KFZ-Flachstecksicherung mit folgendem Wert ersetzen: 1 A (F2) - Vakuum-pumpe
  - Remplacer les fusibles défectueux.

### Fusible à broche

- Remplacer les fusibles défectueux.

### Remarque

Le fusible à broche défectueux ne peut être remplacé que par le service après-vente Windsor ou un spécialiste agréé. En cas de dysfonctionnement de ce fusible, vérifier les conditions d'utilisation ainsi que l'intégrité du système de commande.

## Accessoires

|   |                    |
|---|--------------------|
| <b>Balai latéral</b>  | <b>6.905-626.0</b> |
| Avec crins standard pour les surfaces intérieures et extérieures. |                    |

|   |                    |
|---|--------------------|
| <b>Brosse rotative standard</b>   | <b>4.762-430.0</b> |
| Résistante à l'usure et à l'humidité Crin universel pour le nettoyage intérieur et extérieur. |                    |

|  |                    |
|--|--------------------|
| <b>Brosse rotative, souple</b>   | <b>4.762-442.0</b> |
| Avec crin naturel spécial pour le balayage des poussières fines sur des sols lisses en intérieur. Pas résistant à l'humidité, par pour les surfaces abrasives. |                    |

|                            |                    |
|----------------------------|--------------------|
| <b>Filtre à poussières</b> | <b>6.414-576.0</b> |
|----------------------------|--------------------|

|                                      |                    |
|--------------------------------------|--------------------|
| <b>Brosse rotative, antistatique</b> | <b>4.762-441.0</b> |
|--------------------------------------|--------------------|

|                                |                    |
|--------------------------------|--------------------|
| <b>Tapis unité de balayage</b> | <b>2.641-665.0</b> |
|--------------------------------|--------------------|

## Assistance en cas de panne

### ⚠ Danger

Risque de blessure ! Avant d'effectuer des travaux sur l'appareil, positionner l'interrupteur à clé sur "0" et retirer la clé. Appuyer sur la touche d'arrêt d'urgence.

| Panne  | Remède   |
|--|--|
| Il est impossible de mettre l'appareil en marche   | S'asseoir sur le siège conducteur, le contact de sécurité du siège est activé                  |
|  | Déverrouiller la touche d'arrêt d'urgence  |
|  | Brancher la fiche de batterie.   |
|  | Mettre l'interrupteur à clé sur "1".   |
|  | Contrôler le fusible F1, si nécessaire le faire remplacer par le SAV Windsor                   |
|  | Vérifier les batteries, les recharger si nécessaire  |
| Le balayage n'est pas effectif   | Contacteur le service après-vente Windsor.   |
|  | Vérifier l'usure de la brosse rotative et des balais latéraux, les remplacer si nécessaire.    |
|  | Vérifier le fonctionnement de la trappe à gros déchets   |
|  | Contrôler l'usure des baguettes d'étanchéité, régler la hauteur si nécessaire ou les remplacer |
|  | Contrôler la courroie de l'entraînement de balayage.   |
| De la poussière s'échappe de l'appareil  | Contacteur le service après-vente Windsor.   |
|  | Vider le bac à poussières  |
|  | Vérifier la courroie d'entraînement de l'aspirateur  |
|  | Vérifier la garniture d'étanchéité de l'aspirateur   |
|  | Contrôler l'étanchéité des flexibles sur le ventilateur d'aspiration.                          |
|  | Vérifier le filtre à poussières, le nettoyer ou l'échanger                                     |
|  | Vérifier l'étanchéité du boîtier du filtre   |
|  | Fermer le clapet sol sec/sol humide  |
| Contrôler l'usure des baguettes d'étanchéité, régler la hauteur si nécessaire ou les remplacer |  |
| Le balayage des bordures n'est pas satisfaisant  | Contacteur le service après-vente Windsor.   |
|  | Changer les balais latéraux  |
|  | Contrôler l'usure des baguettes d'étanchéité, régler la hauteur si nécessaire ou les remplacer |
| L'abaissement des balais latéraux ou de la brosse rotative ne fonctionne pas.                  | Contacteur le service après-vente Windsor.   |
|  | Contrôler le fusible F2, si nécessaire le remplacer  |
| Puissance d'aspiration insuffisante  | Contacteur le service après-vente Windsor.   |
|  | Installer correctement le filtre lamellaire, voir Remplacer le filtre à poussières             |
|  | Contrôler l'étanchéité des flexibles sur le ventilateur d'aspiration.                          |
|  | Vérifier la garniture d'étanchéité de l'aspirateur   |
|  | Vérifier l'étanchéité du boîtier du filtre   |
| La brosse rotative ne tourne pas   | Contacteur le service après-vente Windsor.   |
|  | Ôter les fils et bandes de la brosse rotative  |
| Le code de défaut est affiché  | Mettre l'appareil complètement hors service et le remettre en service                          |
|  | Si le code d'erreur se reproduit, informer le service client Windsor                           |

### Code erreur

| Lampe témoin - Service | Lampe témoin - état de charge de la batterie | Lampe témoin - surcharge du nettoyage du filtre | Lampe témoin - Surcharge du moteur de traction | Lampe témoin - Surcharge de la brosse rotative | Signification                                  |
|------------------------|--|---|--|--|--|
| jaune                  | vert/jaune/rouge                             | Rouge   | Rouge  | Rouge  |  |
| clignotante            | --   | --  | --   | x  | La touche d'arrêt d'urgence est enfoncée.      |
| clignotante            | --   | --  | x  | --   | Surtempérature sur la platine                  |
| clignotante            | --   | --  | x  | x  | Tension de la batterie erronée                 |
| clignotante            | --   | x   | --   | --   | Défaut de la pédale d'accélérateur             |
| clignotante            | --   | x   | --   | x  | Interruption de ligne, consommateur électrique |
| clignotante            | --   | x   | x  | --   | Court-circuit, consommateur électrique         |
| clignotante            | --   | x   | x  | x  | Défaut lors du processus de charge             |
| clignotante            | x  | --  | --   | --   | Module de puissance défectueux                 |
| clignotante            | x  | --  | --   | x  | Chargeur intégré défectueux                    |
| clignotante            | x  | --  | x  | --   | Le contacteur général ne s'ouvre pas           |
| désactivé              | sans signification                           | x   | --   | --   | Surcharge du nettoyage du filtre               |
| désactivé              | sans signification                           | --  | x  | --   | Surcharge du moteur de déplacement             |
| désactivé              | sans signification                           | --  | --   | x  | Surcharge de la brosse rotative                |

## Caractéristiques techniques

|  |  | RRB 360                                      |
|--|--|--|
| <b>Caractéristiques de la machine</b>                          |  |  |
| Longueur x largeur x hauteur                                   | in (mm)                                | 64.4 x 38.6 x 49.6 (1635 x 980 x 1260)       |
| Poids à vide   | lbs (kg)                               | 440.9 (200)                                  |
| Poids total admissible   | lbs (kg)                               | 1168.4 (530)                                 |
| Vitesse de déplacement   | mph (km/h)                             | 3.7 (6)                                      |
| Vitesse de balayage  | mph (km/h)                             | 3.7 (6)                                      |
| Pente (max.)   | %                                      | 12   |
| Diamètre de la brosse rotative                                 | in (mm)                                | 9.8 (250)                                    |
| Largeur de la brosse rotative                                  | in (mm)                                | 24.2 (615)                                   |
| Diamètre des balais latéraux                                   | in (mm)                                | 16.1 (410)                                   |
| Capacité de balayage sans brosses latérales                    | ft <sup>2</sup> /h (m <sup>2</sup> /h) | 39720 (3690)                                 |
| Capacité de balayage avec 1 balai latéral                      | ft <sup>2</sup> /h (m <sup>2</sup> /h) | 58130 (5400)                                 |
| Capacité de balayage avec balais latéraux                      | ft <sup>2</sup> /h (m <sup>2</sup> /h) | 76530 (7110)                                 |
| Largeur de balayage sans balais latéraux                       | in (mm)                                | 24.2 (615)                                   |
| Largeur de balayage avec 1 balai latéral                       | in (mm)                                | 35.4 (900)                                   |
| Largeur de balayage avec 2 balais latéraux                     | in (mm)                                | 46.7 (1185)                                  |
| Volume du bac à poussières                                     | gal (l)                                | 15.8 (60)                                    |
| Type de protection contre la pluie                             | --                                     | IPX 3  |
| <b>Moteurs</b>   |  |  |
| – <b>Moteur de traction</b>                                    |  |  |
| Type   | --                                     | Moteur en série pour marche avant et arrière |
| Conception   | --                                     | Moteur de moyeu sur la roue avant            |
| Tension  | V                                      | 24   |
| Courant nominal  | A                                      | 40   |
| Puissance nominale (mécanique)                                 | W                                      | 600  |
| Type de protection   | --                                     | IP 54  |
| Vitesse de rotation  | 1/min                                  | réglable en continu                          |
| – <b>Blocs de balayage et ventilateur</b>                      |  |  |
| Type   | --                                     | Moteur à courant continu et aimant permanent |
| Conception   | --                                     | B14  |
| Tension  | V                                      | 24   |
| Courant nominal  | A                                      | 33   |
| Puissance nominale (mécanique)                                 | W                                      | 600  |
| Type de protection   | --                                     | IP 20  |
| Vitesse de rotation  | 1/min                                  | 3600   |
| <b>Fusibles</b>  |  |  |
| Fusible (F1) fusible principal                                 | A                                      | 150  |
| Fusible (F2) pompe à vide                                      | A                                      | 1  |
| <b>Pneumatiques</b>  |  |  |
| Dimensions, arrière  | --                                     | 4.00-8                                       |
| Pression, arrière  | psi (bar)                              | 90 (6)                                       |
| <b>Frein</b>   |  |  |
| Frein de service, frein de stationnement                       | --                                     | électronique                                 |
| <b>Système de filtration et d'aspiration</b>                   |  |  |
| Surface de filtrage pour poussières fines                      | ft <sup>2</sup> (m <sup>2</sup> )      | 43.1 (4.0)                                   |
| Catégorie d'utilisation du filtre pour poussières non toxiques | --                                     | M  |
| Dépression nominale du système d'aspiration                    | psi (kPa)                              | 0.12 (0.8)                                   |
| Débit volumique nominal du système d'aspiration                | gpm (l/s)                              | 649.1 (41)                                   |
| <b>Conditions environnement</b>                                |  |  |
| Température  | °F (°C)                                | 41...113 (+5...+45)                          |
| Hygrométrie, non-condensée                                     | %                                      | 0 - 90                                       |
| <b>Emissions sonores</b>                                       |  |  |
| Niveau de pression acoustique (EN 60704-1)                     | dB(A)                                  | 69   |
| Niveau de puissance sonore garanti (2000/14/EC)                | dB(A)                                  | 87   |
| <b>Vibrations de l'appareil</b>                                |  |  |
| Valeur globale de vibrations (ISO 5349)                        |  |  |
| Bras, volant   | m/s <sup>2</sup>                       | 1.15   |
| Pieds, pédale  | m/s <sup>2</sup>                       | 0.93   |
| Surface d'assise   | m/s <sup>2</sup>                       | 0.35   |

**Travaux de maintenance**

**Après le premier mois ou 5 heures de service**

- 1 Contrôler le degré d'usure du balai-brosse et de la balayeuse latérale et vérifier l'enroulement des bandes.
- 2 Contrôler la trace de balayage et le fonctionnement de la brosse rotative.
- 3 Contrôler la tension, l'usure et la fonction des courroies d'entraînements.
- 4 Vérifier la maniabilité des pièces mobiles.
- 5 Vérifier le fonctionnement de tous les éléments de commande et des lampes témoins.

**Toutes les 50 heures de service**

- 1 Contrôler la tension, l'usure et la fonction des courroies d'entraînements.
- 2 Vérifier la maniabilité des pièces mobiles.
- 3 Contrôler les baguettes d'étanchéité sur le filtre à poussières et le fonctionnement du vibreur de filtre.
- 4 Vérifier le réglage et le degré d'usure des joints dans le domaine de balayage.
- 5 Contrôler la trace de balayage et le fonctionnement de la brosse rotative.
- 6 Nettoyer le filtre à poussières et le contrôler, si nécessaire le remplacer.
- 7 Contrôler le degré d'usure du balai-brosse et de la balayeuse latérale et vérifier l'enroulement des bandes.
- 8 Vérifier le fonctionnement de tous les éléments de commande et des lampes témoins.
- 9 Contrôler le degré d'usure des joints et si nécessaire, les remplacer.
- 10 Contrôler le niveau d'acide des batteries (uniquement en cas de batteries avec un minimum de entretien).

**Travaux d'entretien supplémentaires toutes les 100 heures de fonctionnement ou semestriellement.**

- 1 Contrôler le degré d'endommagement et d'oxydation des conduites et des contacts .
- 2 Contrôler le fonctionnement et le réglage du frein de stationnement.
- 3 Contrôler les profilés d'étanchéité sur le bac à poussières et le bloc de brosse rotative.
- 4 Contrôler les batteries.
- 5 Nettoyer la surface des batteries.
- 6 Contrôler l'usure des brosses de charbon.

**Travaux d'entretien supplémentaires toutes les 500 heures de service ou annuellement.**

- 1 Remplacer la courroie.
- 2 Remplacer les balais de charbon.
- 3 Contrôler le degré d'usure de la roue avant et le cas échéant, les remplacer.

## Formación del operario

Sólo se permitirá operar un aparato motorizado a personas formadas y autorizadas. Los operarios de aparatos motorizados deberán estar cualificados y tener la capacidad visual, auditiva, física y mental para operar equipos de forma segura de acuerdo con los siguientes puntos.

## Formación del operario

- Aquel personal que no haya sido formado para trabajar con aparatos motorizados solamente podrán utilizarlos para fines de entrenamiento, y sólo bajo supervisión directa del entrenador. Este entrenamiento deberá ser llevado a cabo en un área alejada de otros aparatos, obstáculos y peatones.
- El programa de entrenamiento de operarios incluirá las políticas de usuario del lugar en que la persona que esté haciendo el curso vaya a trabajar con el aparato, las condiciones de funcionamiento de dicha ubicación, y el aparato con el que este trabajará. El curso se ofrecerá a todos los operarios sin tener en cuenta la experiencia previa.

El programa de entrenamiento informará al participante del curso de:

- A la principal responsabilidad del operario es usar el aparato de forma segura según las instrucciones del programa de entrenamiento.
- B El uso inseguro o incorrecto de un aparato motorizado puede tener como consecuencia: la muerte o lesión grave del operario o terceros; daño del aparato motorizado u otras propiedades.

El programa de entrenamiento deberá hacer especial hincapié en la operación segura y correcta para evitar lesiones al operario y a terceros y evitar daños materiales, y cubrirá las siguientes áreas.

- A Principios fundamentales de aparato(s) motorizados que el participante al curso operará, incluido:
  - (1) características de los aparato(s) motorizado(s), incluidas las variaciones entre los aparatos en el lugar de trabajo;
  - (2) similitudes y diferencias con respecto a automóviles;
  - (3) importancia de los datos de la placa identificadora, advertencias e instrucciones aplicables al aparato motorizado;
  - (4) instrucciones de funcionamiento y advertencias del manual de funcionamiento para el aparato e instrucciones para la inspección y mantenimiento que deba realizar el operario;
  - (5) tipo de energía motriz y sus características;
  - (6) método de control;
  - (7) método de freno y características;
  - (8) visibilidad delantera y trasera;
  - (9) características de estabilidad con y sin carga, con o sin complementos;

- (10) ubicación de controles, funcionamiento, método de operación, identificación de símbolos;
- (11) recarga de batería;
- (12) dispositivos de seguridad y protección para el tipo de aparato específico;
- (13) otras características de la unidad específica;

- B Ambiente de trabajo y su efecto sobre el funcionamiento del aparato, incluido:
  - (1) condiciones del pavimento osuelo incluidas condiciones temporales;
  - (2) rampas e inclinaciones;
  - (3) dispositivos de recarga de batería;
  - (4) pasillos estrechos, entradas, cableado elevado y tuberías, y otras áreas de acceso limitado;
  - (5) áreas en las que el aparato trabaje cerca de otros aparatos motorizados, otros vehículos o peatones;
  - (6) trabajo cerca del borde de muelle o superficie elevada;
  - (7) otras condiciones especiales de funcionamiento y problemas que se puedan encontrar.
- C Funcionamiento del aparato motorizado, incluido:
  - (1) inspección correcta previa al comienzo del turno y método autorizado para retirar de funcionamiento un aparato que necesite ser reparado o revisado;
  - (2) procedimientos de aparcamiento y apagado;
  - (3) otras condiciones especiales de funcionamiento para el dispositivo específico.
- D Normas y prácticas de seguridad para el funcionamiento, incluido:
  - (1) disposiciones de la sección "Normas y prácticas de seguridad para el funcionamiento" en este documento.
  - (2) otras normas, reglas o prácticas especificadas por el empleador en el lugar donde se vaya a poner en funcionamiento el aparato motorizado.
- E Prácticas de entrenamiento de funcionamiento, incluido:
  - (1) si es posible, se practicará el funcionamiento del aparato motorizado en un área separada del personal y del lugar donde se realicen actividades de trabajo;
  - (2) las prácticas de entrenamiento se llevarán a cabo bajo la supervisión del entrenador;
  - (3) la práctica de entrenamiento incluirá el funcionamiento en sí o un funcionamiento simulado de todas las tareas tales como maniobra, avance, parada, arranque y otras actividades que se encontrarán en el uso del aparato motorizado.

## Pruebas, nuevo entrenamiento y refuerzo

- A Durante el entrenamiento, el empleador llevará a cabo pruebas de aptitud y exá-

menes orales y/o escritos para medir las habilidades y conocimientos del operario de los requisitos de la norma. Los empleadores pueden delegar la realización de las pruebas a terceros pero seguirán siendo responsables de las mismas. Se guardarán archivos correspondientes.

- B Los operarios volverán a recibir información cuando se introduzca nuevos equipos, se modifique el equipo actual, cambien las condiciones de funcionamiento o el trabajo del operario no sea satisfactorio.
- C El usuario será responsable de reforzar el uso seguro del aparato motorizado de acuerdo con las disposiciones de este manual.

NOTA: para más información sobre entrenamiento de operarios consulte por ejemplo, a los fabricantes de aparatos motorizados, agencias gubernamentales relaciones con la seguridad laboral, organizaciones comerciales de usuarios de aparatos motorizados, organizaciones públicas y privadas, y consultores de seguridad.

## NORMAS Y PRÁCTICAS DE SEGURIDAD PARA EL FUNCIONAMIENTO

### Responsabilidad del operario

- El operario es responsable de un funcionamiento seguro.
- El operario creará unos hábitos de trabajo seguros y estará al tanto de condiciones peligrosas para protegerse a sí mismo, a otros miembros del personal, el aparato motorizado y otros materiales.
- El operario estará familiarizado con el trabajo y funcionamiento de todos los controles e instrumentos antes de poner en funcionamiento el equipo.
- Antes de poner el funcionamiento el aparato, los operarios tendrán que leer y estar familiarizados con el manual del operario de la unidad en concreto y también cumplirán con las normas y prácticas de seguridad indicadas en los siguientes párrafos.
- Antes de poner en funcionamiento cualquier unidad, el operario se familiarizará con las condiciones inusuales de funcionamiento que puedan requerir precauciones de seguridad adicionales o instrucciones de funcionamiento especiales.

### Generalidades

- Antes de poner el marcha el equipo:
- A colocar en la posición de funcionamiento;
  - B colocar los controles de dirección en posición neutra;
  - C poner el interruptor en posición ON.

- No arrancar ni poner en funcionamiento la unidad, cualquiera de sus funciones o complementos, en otro sitio que no sea la posición designada de operario.
- Mantener las manos y los pies dentro del área de operario designada.

Comprender las limitaciones de la unidad y poner en funcionamiento la unidad de forma segura para no causar daño al personal. Salvaguardar peatones en todo momento.

- A No conducir el aparato motorizado en dirección a una persona que se encuentre en frente de un objeto.
- B Asegurarse de que el personal se mantiene apartado del área de giro trasera antes de realizar vueltas y maniobras.
- C Poner especial cuidado a la hora de cruzar pasillos, entragas, y otros lugares por los que los peatones puedan pasar poner la ruta del aparato.
- No permitir pasajeros en los aparatos motorizados a no ser que el fabricante haya previsto un lugar seguro para ellos.
- Un aparato está vigilado cuando el operario no está a más de 7,6 m del equipo, que sigue a la vista.
- Un aparato motorizado no está vigilado cuando el operario está a más de 7,6 m del equipo, que sigue a la vista, o cuando el operario abandona el aparato y no lo tiene a la vista.

Antes de dejar la posición del operario:

- A parar completamente el equipo;
  - B colocar los controles de dirección en posición neutra;
  - C poner el freno de estacionamiento;
- Además de esto, cuando se deja el aparato desatendido:
- A parar el motor o apagar los controles;
  - B si el equipo tiene que estar en una inclinación, bloquear las ruedas.
  - Mantenerse a una distancia segura del borde de rampas, plataformas y otras superficies de trabajo.
  - Cuando se suba o baje aparatos motorizados a camiones o remolques de carretera, poner frenos, cuñas a las ruedas u otro tipo de mecanismo para evitar que los camiones o remolques de carretera se muevan de forma no intencionada.
  - Siempre que se suba o baje aparatos motorizados a tráilers que no estén acoplados a un tractor, puede que sea necesario utilizar apoyos para evitar que se tumbe o vaya hacia una esquina.
  - Se debe poner especial cuidado en no entrar en contacto con instalaciones elevadas como luces, cableado, tuberías, sistema de regadío etc.
  - Informe al supervisor o a la persona indicada de todos los accidentes en el que hayan estado involucrados personal, estructuras del edificio, y equipamiento.
  - No realice modificaciones ni añadidos al equipo.

- No bloquear el acceso a las salidas de emergencias de incendios, escaleras o equipo antiincendios.

### Transporte

- Respetar todas las normas de circulación incluidos los límites de velocidad autorizados en la planta. En condiciones de tráfico normales, manténgase a la derecha. Mantenerse a una distancia segura, basada en la velocidad de conducción, de la parte delantera del equipo; y tener la unidad bajo control en todo momento.
- Ceder el paso a peatones y vehículos de emergencias como ambulancias o camiones de bomberos.
- No adelante otro aparato que vaya en la misma dirección en cruces, puntos ciegos u otros lugares peligrosos.
- Reduzca la velocidad y el sonido de dispositivo(s) de emergencia en cruces y otros lugares donde la visión sea reducida.
- Cruce vías de tren en ángulo siempre que sea posible. No aparcarse a menos de 1800 mm de la vía del tren.
- Mantener una buena vista del camino por el que conduce y preste atención al tráfico, personal y seguridad.
- Subir o bajar inclinaciones lentamente, y con precaución. Evitar dar la vuelta, si es posible, y tener especial precaución en cuestas, rampas o inclinaciones; conducir normalmente en línea recta.
- Operar el equipo siempre a una velocidad que permita parar de manera segura.
- Arrancar, parar, dar la vuelta y cambiar de dirección con cuidado para no ladear y/o volcar el aparato.
- No permita realizar escenas peligrosas ni jugar con el equipo.
- Reducir la velocidad en suelos húmedos y resbaladizos.
- Antes de conducir sobre un muelle o puente, asegúrese de que esté bien seguro. Conducta con cuidado y lentamente por el muelle o puente, y no exceda nunca la capacidad indicada.
- No conducir el aparato en ningún ascensor a no ser que se haya autorizado específicamente. No exceda la capacidad del ascensor. Acérquese lentamente al ascensor, y entre de forma directa cuando la caja del ascensor esté correctamente en posición. Cuando esté dentro del ascensor, neutralice los controles, apague el interruptor, y ponga los frenos. Se recomienda que todo el personal salga del ascensor antes de que entre el aparato motorizado.
- Al sortear curvas, reduzca la velocidad a un nivel seguro de acuerdo con el ambiente de funcionamiento. Sortear las curvas con cuidado.

El manejo de una unidad descompensada con control central y elevación con un ope-

rador sentado que no se eleva, requiere una serie de medidas de seguridad especiales:

- A Un aparato puede volcar si el operario no reduce la velocidad para sortear curvas de forma segura. Los siguientes signos indican que el aparato va a una velocidad excesiva a la hora de sortear curvas:
  - (1) las ruedas derrapan;
  - (2) la unidad se balancea hacia un lateral;
  - (3) las ruedas se levantan; y
  - (4) se necesita agarrar el volante fuertemente para evitar salir despedido del asiento.
- B La posibilidad de volcar aumenta en cualquiera de las siguientes situaciones o en una combinación de ellas:
  - (1) frenar o acelerar bruscamente al torcer;
  - (2) conducir en una superficie irregular;
  - (3) conducir a velocidad excesiva.
- C Se puede volcar hacia delante y aumentan la probabilidades bajo las siguientes condiciones: frenar bruscamente al avanzar hacia delante.
- D El operario debe permanecer junto al aparato si cae por un muelle de carga o rampa. El operario debe sujetarse bien y alejarse del punto de impacto.
- E Cuando el ambiente resulta muy peligroso, o hay unas condiciones de uso inusuales, el usuario puede necesitar tomar unas precauciones diferentes y/o adicionales e instrucciones de funcionamiento especiales de acuerdo con las condiciones.

### Cuidados del equipo realizados por el operario

Al comienzo de cada turno y antes de poner en funcionamiento el aparato motorizado, comprobar su estado, prestar especial atención a lo siguiente:

- A estado de las ruedas
- B si las ruedas son neumáticas, comprobar la presión del aire
- C dispositivos de advertencia y seguridad
- D luces
- E batería
- F controles
- G cadenas y cables
- H interruptores de límites
- I mecanismo de control
- J objetos adicionales o equipo especial tal y como especifica el usuario y/o fabricante

Si el equipo necesita ser reparado o es inseguro, o favorece una situación insegura, se deberá informar del problema inmediatamente al encargado designado por el usuario, y no se pondrá en funcionamiento el equipo hasta que se recupere el estado de funcionamiento seguro.

- Si el equipo se vuelve inseguro de cualquier modo durante su funcionamiento, se deberá informar del problema inmediatamente al encargado designado por el usuario, y no se pondrá en funcionamiento el equipo hasta que se recupere el estado de funcionamiento seguro.
- No realizar reparaciones o ajustes a no ser que se autorizó específicamente.
- No usar llamas directas cuando se comprueba el nivel de electrolitos en las baterías de almacén.

## MANTENIMIENTO Y PRÁCTICAS DE RECONSTRUCCIÓN

- El funcionamiento del equipo puede resultar peligros si no realiza el mantenimiento o se llevan a cabo reparaciones, reconstrucciones o ajustes que no correspondan con los criterios de diseño del fabricante. Por lo tanto, se deben poner a disposición lugares de mantenimiento (en el mismo local o en otro lugar), personal cualificado, y procedimientos detallados.
- El fabricante del aparato motorizado puede suministrar manuales de piezas y mantenimiento.
- En casos excepcionales, no incluidos en los manuales anteriormente mencionados, consulte al fabricante del aparato motorizado.

El mantenimiento e inspección de la unidad se realizará de acuerdo con las siguientes prácticas:

- A a un mantenimiento planificado, le seguirán lubricación e inspección del sistema: consulte las recomendaciones del fabricante.
- B sólo se permitirá realizar mantenimiento, reparaciones, ajustes e inspecciones del equipo a personal formado y autorizado y de acuerdo con las especificaciones del fabricante.

Al elevar aparatos para reparar o inspeccionar, se elevarán con cuidado, de modo seguro y estable. Si se quitan componentes tales como contrapesos o montantes se cambiará el centro de gravedad y puede crear una condición inestable.

Antes de comenzar la inspección y reparación del aparato motorizado:

- A elevar las ruedas del suelo o desconectar la batería y usar cuñas u otros mecanismos positivos para para posicionar el aparato;
- B bloquear el chasis antes de trabajar en él;
- C desconectar la batería antes de trabajar en el sistema eléctrico;
- D el conector del cargador sólo se enchufará en el conector de la batería y nunca en el conector de la unidad.

La puesta en marcha del aparato motorizado para comprobar el funcionamiento se llevará a cabo en un área autorizada segura.

- A Antes de poner el marcha el equipo:

- (1) colocar en la posición de funcionamiento;
- (2) colocar los controles de dirección en posición neutra;
- (3) poner el interruptor en posición ON;
- (4) comprobar el funcionamiento de los dispositivos de control y advertencia, y de los frenos;

B Antes de dejar el equipo:

- (1) parar el equipo;
- (2) colocar los controles de dirección en posición neutra;
- (3) parar el motor o apagar el interruptor;
- (4) apagar el circuito de control;
- (5) si se tiene que dejar el equipo en una inclinación, bloquear las ruedas.

- Evitar los riesgos de incendios y tener equipo de protección de incendios en el área de trabajo. No usar cualquier llama directa para comprobar el nivel que cualquier fluido o comprobar la fuga de cualquier fluido, especialmente electrolitos de la batería. No usar recipientes abiertos de fuel o líquidos inflamables de limpieza para las limpiar las piezas.
- Ventilar correctamente el área de trabajo, dejar salir humos de escape, y mantener la tienda limpia y seca.
- Los frenos, mecanismos de dirección, control, dispositivos de advertencia, toques de eje articulados, y componentes del bastidor serán inspeccionados cuidadosamente y con regularidad y se mantendrán en condiciones de funcionamiento seguras.

## NORMA DE SEGURIDAD CONTRA INCENDIOS

### Mantenimiento

- Cualquier unidad que no esté en un estado de funcionamiento seguro será retirada de servicio.
- **Precauciones.** No se realizarán reparaciones en ubicaciones de clase I, clase II y clase III. Sólo se realizarán reparaciones del sistema eléctrico de aparatos a batería cuando esta se haya desconectado.
- **Temperatura de funcionamiento.** Cuando la temperatura de cualquier pieza de un aparato motorizado es superior a la normal y supone un peligro, se retirará el aparato de servicio y no se volverá a poner en funcionamiento hasta que no se haya solucionado la causa del sobrecalentamiento.
- **Prevención de incendios.** Se mantendrá el equipo limpio y sin pelusas, exceso de aceite y grasa en la medida de lo posible. Es preferible utilizar productos no combustibles para limpiar el equipo. No está permitido utilizar líquidos inflamables [aquellos que tengan puntos de inflamación de o superior a 37,8°C (100°F)]. Se deberá tomar precauciones ante la toxicidad, ventilación e in-

ciendios con el producto o disolvente usado.

- Visibilidad de la placa identificadora: Las denominaciones de tipo de equipo se indican en la placa identificadora y no se deben cubrir las marcas de tipo con pintura para que no se vea la información de identificación.
- No se usará la unidad en áreas clasificadas.

### Cambiar y cargar las baterías de almacén

- Esta sección se refiere a las baterías usadas en los aparatos eléctricos. Los dos tipos de baterías más usados son plomo y níquel-hierro. Contienen soluciones químicas corrosivas, como ácido o álcali y, por lo tanto, representan un peligro químico. Mientras se cargan, emiten hidrógeno y oxígeno, que, en determinadas concentraciones, son explosivos.

La instalación de carga de batería debe estar ubicada en áreas designadas para este fin; dichas áreas deben estar libres de materiales combustibles externos. Se deberán ofrecer lugares para:

- A tirar electrolitos derramados;
- B Protección anti incendios;
- C proteger el cuerpo de carga de daños ocasionados por el vehículo, y
- D ventilación adecuada para dispersión de humos de baterías gaseantes.

Cuando se usan cargadores a bordo, se deberá realizar la recarga en los lugares designados para ello, y se deberán tener en cuenta las exigencias eléctricas del cargador y los servicios de protección anti incendios.

*Excepción: No será necesario disponer de servicio de eliminación si se recarga sin retirar la batería del vehículo.*

- En los casos en que la concentración de ácido es superior al 50% (por encima de 1400 de gravedad específica) se debe suministrar una fuente para lavar los ojos.
- Se deberá suministrar un montacargas elevado de transporte, o un dispositivo de manipulación de materiales similar para manipular las baterías.
- Los montacargas de cadena deben estar equipados con contenedores de cadena de carga. Cuando se usa un montacargas manula, se cubrirán las baterías descubiertas con una hoja de contrachapado u otro material no conductor para evitar que la cadena manual provoque un cortacircuito en conectores de células o terminales. Se usará una barra esparcidora aislada correctamente con cualquier montacargas elevado.
- Las baterías reinstaladas o nuevas deberán cumplir o superar el tipo de batería indicado en la unidad. Las baterías reinstaladas deben ser colocadas y aseguradas correctamente en la unidad.



- Se suministrará un inclinador de garrafón o sifón cuando se use ácido en garrafones. Cuando se diluya ácido sulfúrico concentrado para hacer electrolitos, SIEMPRE se añadirá el ácido al agua, no a la inversa. El personal de mantenimiento de batería utilizará ropa y gafas de seguridad, manga larga y guantes.  
*Excepción: quitar y sustituir baterías no requiere el uso de ropa de seguridad.*
- Las instalaciones eléctricas deben cumplir el NFPA 70, *el código eléctrico nacional*, y todas las normativas locales.
- Sólo personal formado y autorizado cambiará o cargará las baterías.
- Colocar correctamente el aparato motorizado y poner los frenos antes de cambiar o cargar baterías.
- Al cambiar baterías, los tapones de ventilación deben estar en su sitio para evitar pulverizar electrolitos. Se debe poner especial cuidado en asegurar que los tapones de ventilación funcionen. La(s) tapa(s) de la batería (o compartimento) deben estar abiertas para dejar salir el calor y el gas.
- Está prohibido fumar en la zona de carga.
- Se deben tomar precauciones para evitar llamas directas, chispas o arcos eléctricos en las zonas de carga de baterías.
- Las herramientas y otros objetos metálicos se mantendrán alejados de las partes superiores de las baterías descubiertas.



Antes de poner en marcha por primera vez el aparato, lea el presente manual de instrucciones y siga las instrucciones que figuran en el mismo. Conserve estas instrucciones para su uso posterior o para propietarios ulteriores. ¡Antes de la primera puesta en marcha lea sin falta las instrucciones de uso y las instrucciones de seguridad n.º 5.956-250!

## Índice de contenidos

|   |    |
|---|----|
| Indicaciones de seguridad               | 42 |
| Función                                 | 42 |
| Uso previsto                            | 43 |
| Protección del medio ambiente           | 43 |
| Elementos de operación y funcionamiento | 44 |
| Antes de la puesta en marcha            | 46 |
| Puesta en marcha                        | 47 |
| Funcionamiento                          | 47 |
| Parada                                  | 49 |
| Cuidados y mantenimiento                | 49 |
| Accesorios                              | 52 |
| Ayuda en caso de avería                 | 53 |
| Datos técnicos                          | 54 |

## Indicaciones de seguridad

### Indicaciones generales

Si al desembalar el aparato comprueba daños atribuibles al transporte, rogamos se dirija a su vendedor.

- Las placas de advertencia e indicadoras colocadas en el aparato proporcionan indicaciones importantes para un funcionamiento seguro.
- Además de las indicaciones contenidas en este manual de instrucciones, deben respetarse las normas generales vigentes de seguridad y prevención de accidentes.

### Manejo

#### ⚠ Peligro

*Peligro de lesiones*

*Peligro de vuelco ante pendientes demasiado acentuadas.*

- En la dirección de marcha sólo se admiten pendientes de hasta 12%.

*Peligro de vuelco al tomar las curvas a velocidad rápida.*

- Tome las curvas a baja velocidad.

*Peligro de vuelco ante una base inestable.*

- Mueva el aparato únicamente sobre una base firme.

*Peligro de vuelco ante una inclinación lateral demasiado pronunciada.*

- En sentido transversal a la marcha sólo se admiten pendientes de hasta 12%.
- Deben tenerse en cuenta básicamente las especificaciones y los reglamentos que rigen para los automóviles.
- El usuario debe utilizar el aparato conforme a las instrucciones. Durante los trabajos con el aparato, debe tener en cuenta las condiciones locales y evitar causar daños a terceras personas, sobre todo a niños.

- El aparato sólo debe ser utilizado por personas que hayan sido instruidas en el manejo o hayan probado su capacidad al respecto y a las que se les haya encargado expresamente su utilización.
- Los niños y los adolescentes no deben utilizar el aparato.
- No se admite la presencia de acompañantes.
- Las máquinas con asiento sólo deben ponerse en movimiento desde dicha posición.
- ➔ Para evitar un uso no autorizado, saque la llave.
- ➔ El aparato no debe permanecer jamás sin vigilar mientras el motor esté en marcha. El usuario debe abandonar el equipo sólo con el motor parado, el seguro contra movimientos accidentales colocado y la llave sacada.

### Aparatos operados con batería

|  |
|--|
| PROPOSITION 65   |
| ADVERTENCIA  |
| Los enganches de las baterías, terminales y accesorios relacionados contienen plomo y compuestos de plomo, productos químicos que según el estado de California provocan cáncer y dañan la capacidad reproductiva. Las baterías también contienen otras sustancias químicas que según el estado California provocan cáncer. Lávese las manos después de cada manipulación. |

#### Nota

*Tendrá derecho de garantía sólo si utiliza baterías y cargadores recomendados por Windsor.*

- Es imprescindible respetar las indicaciones de funcionamiento del fabricante de la batería y del cargador. Es imprescindible respetar las recomendaciones vigentes para la manipulación de baterías.
- No dejar las baterías descargadas, cargarlas de nuevo tan pronto como sea posible.
- Para evitar corrientes de fuga, mantener las baterías siempre limpias y secas. Proteger de suciedades, por ejemplo con polvo de metal.
- No colocar herramientas o similares sobre la batería. Riesgo de cortocircuito y explosión.
- No manipular con llama directa, ni generar chispas o fumar cerca de una batería o en el lugar donde se cargue la batería. Peligro de explosiones.
- No toque componentes calientes, como el motor de accionamiento (peligro de quemaduras).
- Tenga precaución cuando trate con ácido de baterías. ¡Es imprescindible respetar las normativas de seguridad correspondientes!
- Se deben eliminar las baterías usadas respetando el medioambiente y de

acuerdo con la normativa de la UE 91/150 CEE.

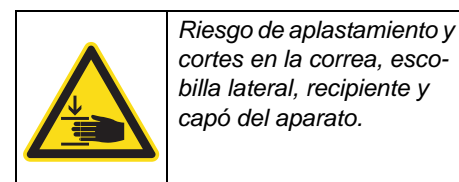
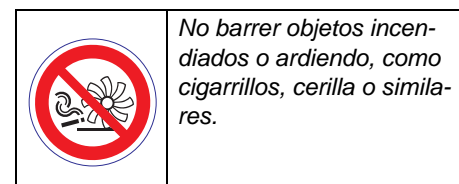
### Accesorios y piezas de repuesto

#### ⚠ Peligro

*Para evitar riesgos, es necesario que las reparaciones y el montaje de piezas de repuesto sean realizados únicamente por el servicio técnico autorizado.*

- Sólo deben emplearse accesorios y piezas de repuesto originales o autorizados por el fabricante. Los accesorios y piezas de repuesto originales garantizan el funcionamiento seguro y sin averías del aparato.
- Podrá encontrar una selección de las piezas de repuesto usadas con más frecuencia al final de las instrucciones de uso.

### Símbolos en el aparato



### Símbolos del manual de instrucciones

#### ⚠ Peligro

*Indica la presencia de un peligro inminente. El incumplimiento de las indicaciones puede provocar la muerte o lesiones muy graves.*

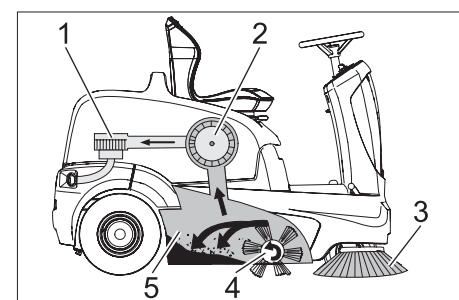
#### ⚠ Advertencia

*Hace alusión a una situación potencialmente peligrosa. El incumplimiento de las indicaciones puede provocar lesiones leves o daños materiales.*

#### Nota

*Muestra consejos de manejo y ofrece información importante.*

## Función



La escoba mecánica funciona según el principio de rosca.

- Las escobas laterales (3) limpian rincones y bordes de la superficie de barrido y transportan la suciedad hacia la banda del cepillo rotativo.

- El cepillo rotativo (4) transporta la suciedad directamente hacia el depósito de basura (5).
- El polvo arremolinado en el depósito se separa a través del filtro (2), y el aire puro filtrado es succionado por el aspirador (1).

### Uso previsto



Utilice el aparato únicamente de conformidad con las indicaciones del presente manual de instrucciones.

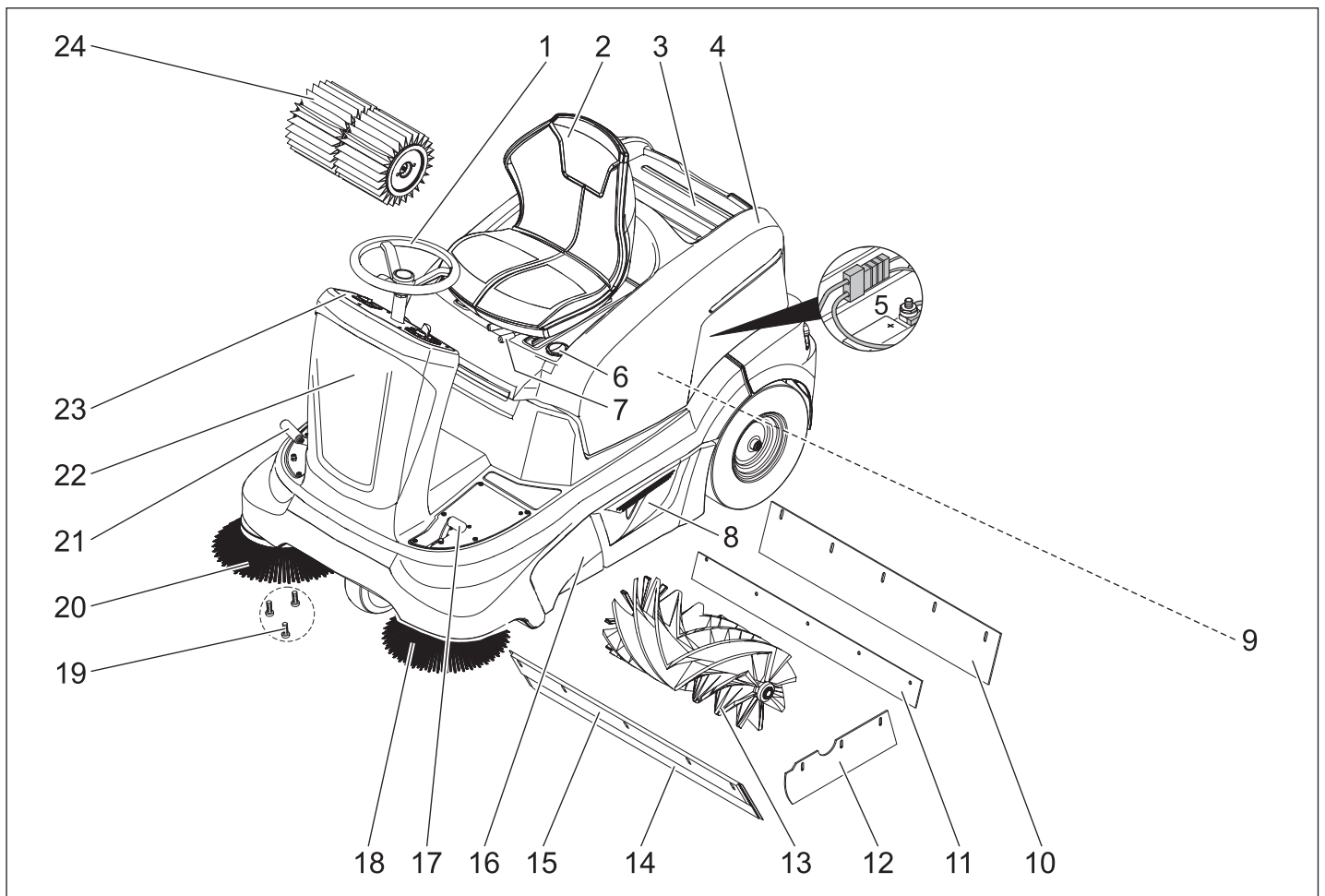
- ➔ Antes de utilizar el equipo con sus dispositivos de trabajo, compruebe que esté en perfecto estado y que garantice la seguridad durante el servicio. Si no está en perfecto estado, no debe utilizarse.
- Esta escoba mecánica está diseñada para barrer superficies sucias en la zona interior y exterior.
- El aparato no está apto para el uso en la vía pública.
- El aparato no es apto para aspirar polvos nocivos para la salud.
- No se debe efectuar ningún tipo de modificación en el aparato.
- ¡No aspire/barra nunca líquidos explosivos, gases inflamables ni ácidos o disolventes sin diluir! Entre éstos se encuentran la gasolina, los diluyentes o el fuel, que pueden mezclarse con el aire aspirado dando lugar a combinaciones o vapores explosivos. No utilice tampoco acetona, ácidos ni disolventes sin diluir, ya que ellos atacan los materiales utilizados en el aparato.
- No aspire/barra objetos incandescentes, con o sin llama.
- El aparato es apto únicamente para los revestimientos indicados en el manual de instrucciones.
- La máquina debe ser conducida únicamente sobre las superficies especificadas por la empresa o su representante.
- Está prohibido permanecer en la zona de peligro. Está prohibido usar el aparato en zonas en las que exista riesgo de explosiones.
- Norma de validez general: Mantenga lejos del aparato los materiales fácilmente inflamables (peligro de explosión/incendio).

### Revestimientos adecuados

- Asfalto
- Piso industrial
- Pavimento
- Hormigón
- Adoquín
- Alfombra

## Protección del medio ambiente

|   |   |
|---|---|
|  | <p>Los materiales empleados para el embalaje son reciclables y recuperables. No tire el embalaje a la basura doméstica y entréguelo en los puntos oficiales de recogida para su reciclaje o recuperación.</p>   |
|  | <p>Los aparatos viejos contienen materiales valiosos reciclables que deberían ser entregados para su aprovechamiento posterior. Evite el contacto de baterías, aceites y materias semejantes con el medioambiente. Por este motivo, entregue los aparatos usados en los puntos de recogida previstos para su reciclaje.</p> |

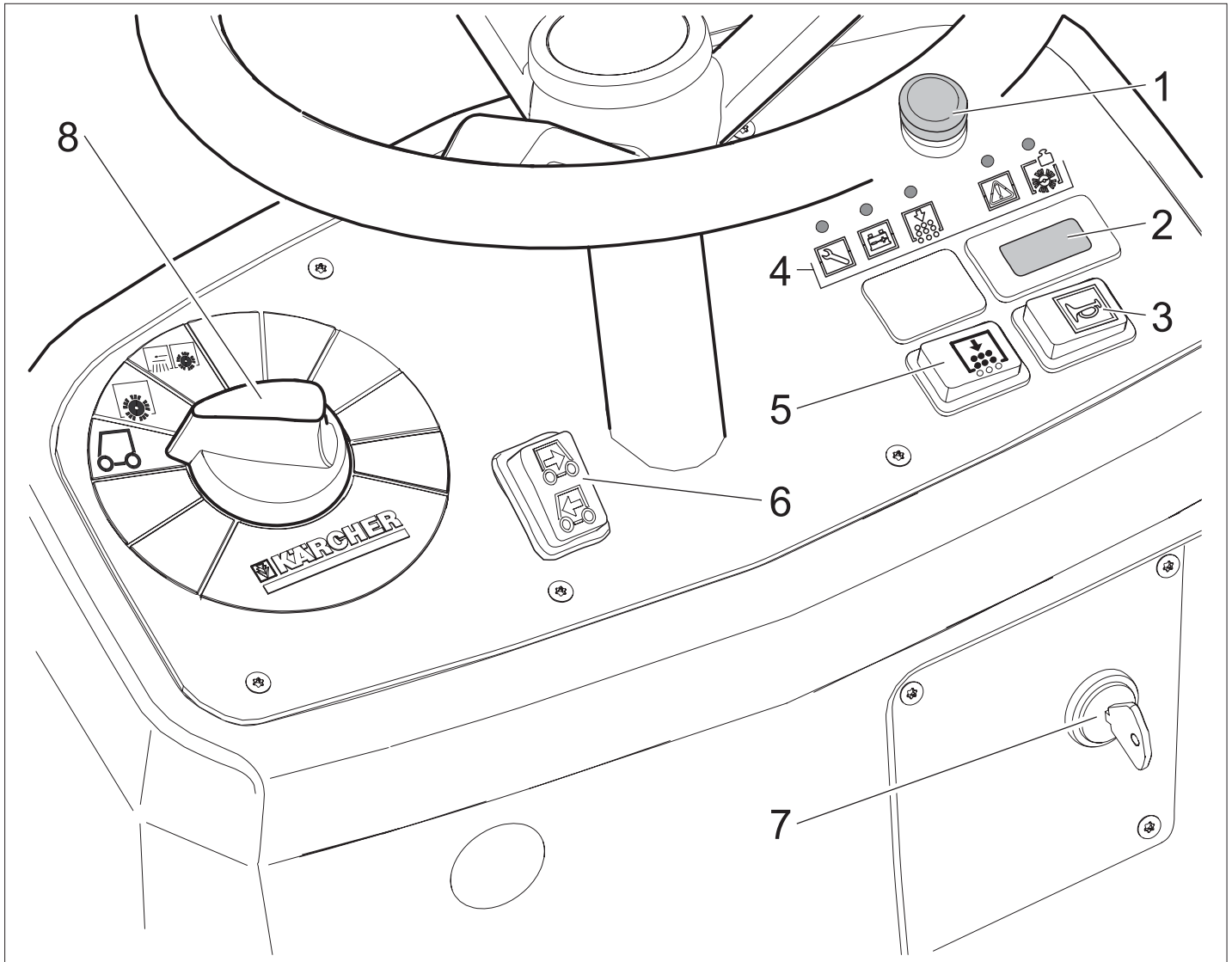


- 1 Volante
- 2 Asiento (con interruptor de contacto del asiento)
- 3 Superficie de apoyo
- 4 Capó del aparato
- 5 enchufe de batería
- 6 Tapa de variante en húmedo/en seco
- 7 Palanca de regulación del asiento
- 8 Depósito de basura (ambos laterales)
- 9 Fusibles (debajo del capó del aparato)
- 10 Cubrejuntas trasero
- 11 Listón de goma
- 12 Cubrejuntas laterales
- 13 Cepillo rotativo
- 14 Cubrejuntas delantero
- 15 Tapa de suciedad basta
- 16 Revestimiento lateral
- 17 Pedal de tapa de suciedad basta (subir/bajar)
- 18 Escoba lateral izquierda (opcional)
- 19 Fijación de la escoba lateral
- 20 Escoba lateral derecha
- 21 Pedal acelerador
- 22 Revestimiento delantero
- 23 Pupitre de mando
- 24 filtro de polvo

### Abrir/cerrar capó del aparato

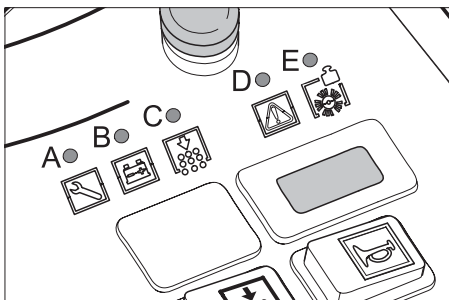
#### **⚠ Peligro**

*Peligro de aplastamiento al cerrar el capó del aparato. Bajar lentamente el capó del aparato.*



- 1 Tecla de desconexión de emergencia
- 2 contador de horas de servicio
- 3 claxon
- 4 Pilotos de control
- 5 Limpieza de filtro
- 6 Interruptor de dirección de marcha (hacia delante/hacia atrás)
- 7 Interruptor de llave
- 8 Programador

**Pilotos de control**



- A Servicio (amarillo)
- B Nivel de carga de la batería (rojo/amarillo/verde)
- C Sobrecarga de la limpieza de filtro (rojo)
- D Sobrecarga del motor de tracción (rojo)
- E Sobrecarga del cepillo rotativo (rojo)

## Antes de la puesta en marcha

### Baterías

#### Indicaciones de seguridad para las baterías

Al manipular baterías, tenga siempre en cuenta las siguientes advertencias:

|  |  |
|--|--|
|  | Tenga en cuenta las indicaciones presentes en la batería, en las instrucciones de uso y en el manual del vehículo. |
|  | Use protección para los ojos   |
|  | Mantenga a los niños alejados del ácido y las baterías   |
|  | Peligro de explosiones   |
|  | Prohibido hacer fuego, producir chispas, aplicar una llama directa y fumar   |
|  | ¡Peligro de causticación!  |
|  | Primeros auxilios  |
|  | Nota de advertencia  |
|  | Eliminación de desechos  |
|  | No tire la batería al cubo de la basura  |

#### ⚠ Peligro

Peligro de explosiones. No coloque herramientas u otros objetos similares sobre la batería, es decir, sobre los terminales y el conector de elementos.

#### ⚠ Peligro

Peligro de lesiones No deje nunca que el plomo entre en contacto con las heridas. Luego de trabajar con las baterías, límpiese siempre las manos.

#### ⚠ Peligro

¡Peligro de incendios y explosiones!  
 – Está prohibido fumar y exponer el lugar a una llama directa.

– Los lugares en los que se cargue baterías tienen que estar bien ventilador ya que se genera un gas muy explosivo a la hora de cargar.

– Las baterías no deben cargarse al aire libre.

#### ⚠ Peligro

¡Peligro de causticación!

– Enjuagar con agua las salpicaduras de ácido en los ojos o en la piel.

– A continuación llamar inmediatamente al médico.

– Lavar la ropa sucia con agua.

#### Montaje y conexión de las baterías

→ Abrir el capó del aparato.

→ Colocar las baterías en el respectivo soporte.

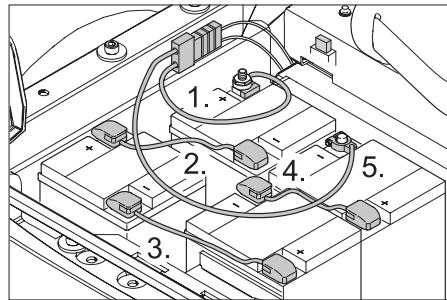
→ Ajustar según corresponda el tope de caucho para fijación de las baterías.

#### ⚠ Advertencia

Asegúrese de colocar la polaridad correctamente.

#### Nota

Los conductos de conexión no están incluidos en el volumen de suministro.



→ Conecte el borne de polo (cable rojo) al polo positivo (+).

→ Enroscar los conductos de conexión a las baterías.

→ Conecte el borne de polo al polo negativo (-).

#### Nota

Al desmontar la batería, verifique que primero se desemborne el cable del polo negativo. Controle que los polos y los respectivos bornes tengan suficiente protección mediante grasa.

#### ⚠ Advertencia

Cargar las baterías antes de poner el aparato en funcionamiento.

#### Cargar las baterías

#### ⚠ Peligro

Peligro de lesiones Al manipular baterías, tenga en cuenta las normas de seguridad. Observe las instrucciones del fabricante del cargador.

#### ⚠ Peligro

Cargar las baterías exclusivamente con un cargador apto.

#### Nota

Cuando las baterías estén cargadas, desconectar primero el cargador de la red y después de las baterías.

→ Abrir el capó del aparato.

→ Retirar el enchufe de la batería y conectar cable de carga del cargador.

→ Enchufe la clavija de red y encienda el cargador.

#### Nota

Los cargadores recomendados (adaptados a las baterías que se usen) se regulan electrónicamente y finalizan el proceso de carga automáticamente. Todas las funciones del aparato se interrumpen automáticamente durante el proceso de carga.

#### Baterías que no requieren mantenimiento

– Al cargar baterías que no precisen mantenimiento, el capó del aparato tiene que estar inclinado hacia arriba.

– Al cargar baterías que no precisen mantenimiento se tienen que respetar las normativas del fabricante de baterías.

→ Una hora antes de que se acabe el proceso de carga, añadir agua destilada, tener en cuenta el nivel de ácido correcto. La batería está marcada de la forma correspondiente.

#### ⚠ Peligro

Peligro de causticación. ¡Rellenar con agua cuando la batería está descargada puede provocar una salida de ácido! Cuando trate con ácido de baterías, lleve siempre unas gafas de seguridad y respetar las normas, para evitar lesiones y daños a la ropa. Lavar inmediatamente con mucha agua las posibles salpicaduras de ácido sobre la piel o la ropa.

#### ⚠ Advertencia

Peligro de daños en la instalación. Utilizar únicamente agua destilada o desalada (VDE 0510) para rellenar las baterías. No utilizar más sustancias (los llamados agentes de mejora), de lo contrario desaparecerá la garantía.

#### Después del proceso de carga

→ Apagar el cargador y desenchufar.

→ Separar el enchufe de la batería del cable de carga y conectar con el aparato.

#### Verificación y corrección del nivel de líquido de la batería

#### ⚠ Advertencia

En el caso de las baterías llenas de ácido, verifique con regularidad el nivel de líquido.

– El ácido de una batería cargada totalmente tiene un peso específico de 10.85 lbs/gal (1.28 kg/l) a 68 °F (20 °C).

– El ácido de una batería descargada totalmente tiene un peso específico entre 8.46 y 10.85 lbs/gal (1.00 y 1.28 kg/l).

– En todas las células el peso específico tiene que ser el mismo que el ácido.

→ Desenrosque las tapas de todos los elementos.

→ Sacar una prueba de cada célula con el comprobador de ácido.

→ Devolver la prueba de ácido a la misma célula.

→ Si el nivel de líquido es demasiado bajo, llene hasta la marca con agua destilada.

→ Cargue la batería.

→ Enrosque las tapas de los elementos.

## Descarga

### ⚠ Advertencia

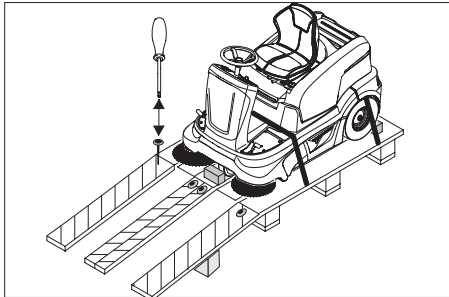
No utilice carretillas elevadoras para la descarga, ya que el aparato podría dañarse.

### Nota

Pulsar la tecla de desconexión de emergencia para poner fuera de servicio inmediatamente todas las funciones y girar el interruptor de llave a la posición "0".

Durante la descarga, proceda como se indica a continuación:

- Corte la cinta de embalaje de plástico y retire la lámina.
- Quite la cinta de sujeción ubicada en los puntos de enganche.
- Las cuatro tablas de suelo marcadas del palet están sujetas mediante tornillos. Desatornille dichas tablas.
- Coloque las tablas sobre el borde del palet. Verifique que queden ubicadas delante de las ruedas del equipo. Fije las tablas con los tornillos.



- Coloque las vigas incluidas en el embalaje debajo de la rampa a modo de soporte.
- Retire los tacos de madera destinados al bloqueo de las ruedas y colóquelos debajo de la rampa.

### (1) Aparato sin batería integrada

- Soltar el freno de estacionamiento (véase empujar escoba mecánica).
- Empujar el aparato por la rampa creada del palet.

### (2) Aparato con batería integrada

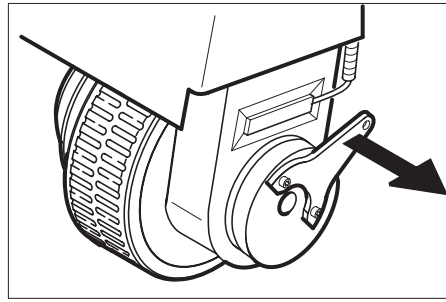
- Conecte la batería (véase el capítulo "Cuidado y mantenimiento")
- El pulsador de parada de emergencia, se desbloquea girándolo.
- Coloque el interruptor de llave en la posición "1".
- Pulsar el interruptor de dirección y bajar lentamente el aparato de la rampa.
- Coloque el interruptor de llave de nuevo en la posición "0".

## Empujar escoba mecánica

### ⚠ Peligro

- Peligro de lesiones Antes de soltar el freno de estacionamiento manualmente, asegure el equipo contra movimientos accidentales. Tras soltar el freno de estacionamiento el aparato rueda hasta alcanzar una velocidad de aprox. 2.8 mph (4.5 Km/h). Después el sistema electrónico frena el aparato.

- Está prohibido soltar el freno de estacionamiento en pendiente sin seguro contra movimientos accidentales.



- Tirar de la palanca de freno en dirección contraria de la rueda y fijar en esta posición.

El freno de estacionamiento se desactiva por lo que se puede empujar el aparato.

## Puesta en marcha

### Indicaciones generales

El aparato frena eléctricamente y se para, cuando se cumple alguna de las siguientes condiciones.

- El pedal acelerador ha enganchado un pie.
- El asiento del conductor quedó vacío durante más de 1 segundo.
- El interruptor de llave se puso en la posición "0".

El freno de estacionamiento automático actúa solo en parada.

- Coloque la escoba mecánica sobre una superficie plana.
- Retire la llave.

## Trabajos de inspección y mantenimiento

- Comprobar el estado de carga de la batería.
- Controle las escobas laterales.
- Controle el cepillo rotativo.
- Limpiar el filtro de polvo.
- Vacíe el depósito de basura.
- Controle la presión de los neumáticos.

### Nota

Descripción, véase el capítulo "Cuidado y mantenimiento"

## Funcionamiento

### Ajuste del asiento del conductor

- Tire de la palanca de regulación del asiento hacia el interior.
- Mueva el asiento, suelte la palanca y asegure el encaje.
- Moviendo el asiento hacia atrás y hacia delante, verifique si está fijo.

## Comprobar el estado de carga de la batería

- El piloto de control se ilumina en verde La batería está cargada (100...40%).
- El piloto de control está iluminado en amarillo

La batería está descargada en 40...20%.

- El piloto de control parpadea en rojo

La batería está casi descargada. El servicio de barrido se finalizará en breve automáticamente.

- Piloto de control se ilumina en rojo La batería está descargada. El servicio de barrido se finaliza automáticamente (El mecanismo de barrido solo puede volver a ponerse en funcionamiento después de cargar la batería)

→ Conducir el aparato directamente a la estación de carga, evitar subidas.

- Cargue la batería.

## Comprobar el freno de estacionamiento

### ⚠ Peligro

Peligro de accidentes. Antes de cada uso se tiene que comprobar el funcionamiento del freno de estacionamiento en una superficie llana.

- Tomar la posición de asiento.
- El pulsador de parada de emergencia, se desbloquea girándolo.
- Coloque el interruptor de llave en la posición "1".
- Accionar el interruptor de dirección de marcha (hacia delante/hacia atrás)
- Pulsar ligeramente el pedal acelerador.
- Se debe oír desencajar el freno. El aparato tiene que rodar ligeramente en una superficie llana. Si se suelta el pedal, se oír el freno. Si esto no sucede se debe poner el aparato fuera de servicio y llamar al servicio técnico.

## Superficie de apoyo

### Nota

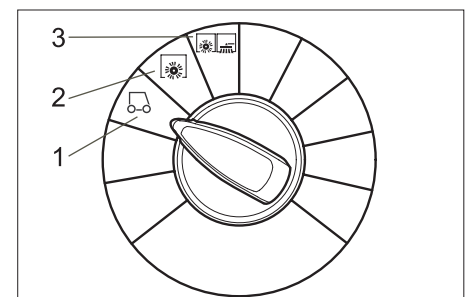
La carga máxima permanente de la superficie de apoyo es de 44.1 lbs (20 kg).

- Fijar la carga mediante una fijación apta en los 4 ojales.

## Tecla de desconexión de emergencia

- El aparato cuenta con un pulsador de parada de emergencia. Si se presiona, el aparato se detiene abruptamente y el freno de estacionamiento automático actúa.
- Para volver a poner en funcionamiento el aparato, primero desencajar el pulsador de parada de emergencia, después desconectar y volver a conectar el interruptor de llave.

## Selección de programas



- 1 Conducción Conducir hasta el lugar de empleo.

- 2 Barrido con cepillo rotativo  
El cepillo rotativo se mueve hacia abajo. El cepillo rotativo y las escobas laterales giran.
- 3 Barrer con cepillo rotativo y escobas laterales  
El cepillo rotativo y las escobas laterales se bajan.

### Conexión del aparato

#### Nota

El aparato está dotado de un interruptor de contacto del asiento. Al levantarse del asiento, el aparato frena y se para con un retraso de aprox. 1,5 segundos y desconecta las funciones de barrido activas.

- Tome asiento en la plaza del conductor.
- NO accione el pedal acelerador.
- Coloque el programador en el nivel 1 (Conducción)
- Coloque el interruptor de llave en la posición "1".

### Conducción del aparato

#### ⚠ Peligro

Peligro de accidentes. Si el aparato no muestra signos de frenar, proceder de la siguiente forma:

- Por razones de seguridad, si el aparato no se para al soltar el acelerador frente a una inclinación de más de 2%, sólo se puede pulsar la tecla de desconexión de emergencia si se ha comprobado el correcto funcionamiento mecánico del freno de estacionamiento antes de cada puesta en marcha.
- ¡Se debe poner el aparato fuera de servicio una vez parado (en una superficie llana) y se debe llamar al servicio técnico!
- También se deben respetar las indicaciones de mantenimiento de los frenos.
- El pulsador de parada de emergencia, se desbloquea girándolo.
- ¡Siéntese y coloque el interruptor de llave en la posición "1".

#### Avance

- Poner el interruptor de dirección de marcha en "Avanzar"
- Presione lentamente el pedal acelerador.

#### Retroceso

#### ⚠ Peligro

- Peligro de lesiones Al dar marcha atrás no puede correr nadie peligro, si es necesario pedir que alguien dé indicaciones.
- Al dar marcha atrás suena un tono de advertencia vibrante.
- La velocidad de marcha de marcha atrás es, por razones de seguridad, menor que la velocidad de marcha de marcha adelante.
- Poner el interruptor de dirección de marcha en "Retroceder"
- Presione lentamente el pedal acelerador.

#### Nota

Comportamiento en marcha

- El pedal acelerador permite regular la velocidad de forma escalonada.

#### Freno

- Suelte el pedal acelerador. El aparato frena automáticamente y se queda parado.

#### Pasaje por encima de obstáculos

Pasaje por encima de obstáculos fijos de hasta 2.0 in (50 mm):

- Pase hacia delante lenta y cuidadosamente.

Pasaje por encima de obstáculos fijos de más de 2.0 in (50 mm):

- Los obstáculos deben superarse sólo con una rampa adecuada.

#### Sobrecarga del motor de tracción

En caso de sobrecarga, el motor se apaga tras un tiempo determinado. El piloto de control "sobrecarga del motor de tracción" se ilumina de color rojo en cuanto se limita la corriente del motor de tracción. En caso de sobrecalentamiento del motor se desconectan todos los accionamientos excepto bocina y limpieza del filtro.

- Dejar enfriar el aparato al menos durante 15 minutos.
- Gire el interruptor de llave a la posición "0", espere brevemente y gire de nuevo a "1".

### Servicio de barrido

#### ⚠ Peligro

Peligro de lesiones Cuando la tapa de suciedad basta está abierta, el cepillo rotativo puede arrojar piedras o gravilla hacia delante. Cerciórese de que no exista riesgo para personas, animales u objetos.

#### ⚠ Advertencia

No barra cintas de embalaje, alambres o similares, ya que ello puede provocar daños en el sistema mecánico.

#### ⚠ Advertencia

Para no dañar el piso, evite accionar la escoba mecánica en el lugar.

#### Nota

Para obtener un óptimo resultado de limpieza, hay que adaptar la velocidad a las particularidades.

#### Nota

Durante el funcionamiento, el depósito de basura debe vaciarse a intervalos regulares.

#### Nota

Al limpiar superficies, baje sólo el cepillo rotativo.

#### Nota

Al limpiar bordes, baje también las escobas laterales.

#### Barrido con cepillo rotativo

- Coloque el programador en el nivel 2. El cepillo rotativo se mueve hacia abajo. El cepillo rotativo y las escobas laterales giran.

#### Barrido con tapa de suciedad basta levantada

#### Nota

Para barrer elementos más grandes, con una altura de hasta 2.0 in (50 mm), por ejemplo, cajetillas de tabaco, es necesario levantar brevemente la tapa de suciedad gruesa.

Levante la tapa de suciedad basta:

- Oprima el pedal de la tapa hacia delante y mantenga presionado.
- Para vaciar, quite el pie del pedal.

#### Nota

Sólo podrá obtenerse un resultado de limpieza óptimo cuando la tapa de suciedad basta esté completamente abajo.

#### Barrido con escobas laterales

- Coloque el programador en el nivel 3. Las escobas laterales y el cepillo rotativo se mueven hacia abajo.

#### Nota

El cepillo rotativo y las escobas laterales se ponen en marcha automáticamente.

#### Barrido de pisos secos

#### Nota

Durante el funcionamiento, el depósito de basura debe vaciarse a intervalos regulares.

#### Nota

Durante el funcionamiento, el filtro de polvo debe limpiarse a intervalos regulares.



- Cerrar la tapa de variante en húmedo/en seco.

#### Barrer suciedad fibrosa y seca (p.ej. hierba seca)

- Abrir la tapa de variante en húmedo/en seco.

#### Nota

Así se evita un atasco del sistema de filtro.

#### Barrido en pisos húmedos o mojados

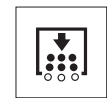
- Abrir la tapa de variante en húmedo/en seco.

#### Nota

De este modo, el filtro está protegido contra la humedad.

#### Limpieza de filtro

- Conectar la limpieza de filtro manual.



- Pulsar la tecla de limpieza del filtro. El filtro se limpia aprox. durante 15 segundos.

### Vaciado del depósito de basura

#### Nota

Antes de abrir o vaciar el depósito de basura, espere a que finalice la limpieza del filtro y a que se deposite el polvo.

- Levantar y extraer ligeramente el recipiente de suciedad.



- Vacíe el depósito de basura.
- Introducir y encajar el recipiente de suciedad.
- Vacíe el depósito de basura opuesto.

### Desconexión del aparato

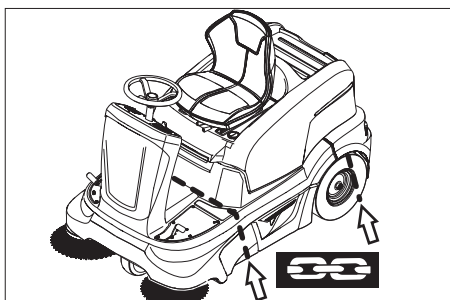
- Coloque el programador en el nivel 1 (Conducción) Las escobas laterales y el cepillo rotativo se elevan.
- Gire el interruptor de llave a "0" y retire la llave.

#### Nota

- Tras la detención del aparato, el filtro de polvo recibe una limpieza automática durante aprox. 15 segundos. Durante este tiempo, no abrir el capó del aparato.
- El aparato dispone de una desconexión automática para proteger las baterías contra descarga. Si el aparato no se utiliza durante más de 30 minutos con el interruptor de llave conectado, se desconecta automáticamente.

### Transporte

- Gire el interruptor de llave a "0" y retire la llave.
- Fije el aparato con calzos en las ruedas.
- Asegure el aparato con cinturones de sujeción o cuerdas.



#### Nota

Tenga en cuenta las marcas de sujeción en el bastidor base (símbolos de cadenas). Para las funciones de carga o descarga, el aparato sólo admite pendientes de hasta 12%.

### Parada

Cuando la escoba mecánica no se usa durante un periodo prolongado, tenga en cuenta los siguientes puntos:

- Coloque la escoba mecánica sobre una superficie plana.
- Coloque el programador en el nivel 1 (Conducción) El cepillo rotativo y las escobas laterales se elevan para no dañar las cerdas.
- Gire el interruptor de llave a "0" y retire la llave.
- Asegurar la escoba mecánica contra movimientos accidentales.
- Limpie el aparato por dentro y por fuera.

#### ⚠ Advertencia

¡Peligro de daños por la entrada de agua! No se puede dirigir el chorro de agua a presión hacia el aparato.

- Coloque el aparato en un lugar seco y protegido.

- Desemborne la batería.
- Cargar la batería y volver a cargar cada aprox. 2 meses.

## Cuidados y mantenimiento

### Indicaciones generales

- Antes de realizar las tareas de limpieza y mantenimiento, de reemplazar alguna pieza o reajustar otra función, desconecte el aparato y, en caso necesario, saque la llave.
- Al trabajar en la instalación eléctrica, saque el enchufe de batería o desemborne la batería.
- El mantenimiento correctivo debe ser llevado a cabo únicamente por una oficina autorizada de servicio al cliente o por personal especializado, familiarizado con todas las normas de seguridad pertinentes.
- Los equipos ambulantes de uso industrial deben someterse al control de seguridad según la norma VDE 0701.
- Utilice únicamente cepillos rotativos/escobas laterales que forman parte del equipo o que figuran en el manual de instrucciones. El uso de otros elementos puede afectar la seguridad.

### Limpieza

#### ⚠ Advertencia

¡Peligro de daños en la instalación! La limpieza del aparato nunca se debe llevar a cabo con una manguera o un chorro de agua a alta presión (peligro de cortocircuitos y otros daños).

#### Limpieza interna del equipo

##### ⚠ Peligro

Peligro de lesiones Utilice máscara antipolvo y gafas protectoras.

- Abrir el capó del aparato.
- Limpie el aparato con un trapo.
- Aplique aire comprimido.
- Cierre el capó del aparato.

#### Limpieza externa del equipo

- Limpie el aparato con un trapo húmedo, embebido en una solución jabonosa suave.

#### Nota

No utilice detergentes agresivos.

### Intervalos de mantenimiento

#### Nota

El contador de horas de servicio indica los intervalos de mantenimiento.

#### Mantenimiento a cargo del cliente

Mantenimiento diario:

- Comprobar el desgaste de los cepillos rotativos y la escoba lateral y si hay cintas enrolladas.
- Controle la presión de los neumáticos.
- Compruebe el funcionamiento de todos los elementos de mando.

Mantenimiento semanal:

- Comprobar el nivel de líquido de la batería.

- Compruebe la facilidad de movimiento de las piezas móviles.
- Compruebe el ajuste y el grado de desgaste de los cubrejuntas en la zona de barrido.
- Comprobar el filtro de polvo y limpiar la caja del filtro.

Mantenimiento cada 100 horas de servicio:

- Comprobar el funcionamiento del interruptor de contacto del asiento.
- Controle el nivel de ácido de la batería.
- Controle la tensión, el grado de desgaste y el funcionamiento de las correas de accionamiento (correas trapezoidales y cordones de cuero).

Mantenimiento tras el desgaste:

- Reemplace los cubrejuntas.
- Reemplace el cepillo rotativo.
- Reemplace las escobas laterales.

#### Nota

Descripción, véase el capítulo "Trabajos de mantenimiento".

#### Nota

Todos los trabajos de servicio y mantenimiento a cargo del cliente deben ser realizados por personal especializado con la debida cualificación. En caso de necesidad, un distribuidor de Windsor siempre estará a disposición para cualquier consulta.

#### Mantenimiento a cargo del servicio de atención al cliente

Mantenimiento tras 5 horas de servicio:

- Realización de la primera inspección

Mantenimiento cada 50 horas de servicio

Mantenimiento cada 100 horas de servicio

#### Nota

Para conservar la garantía, es necesario que durante el tiempo de su vigencia todos los trabajos de servicio y mantenimiento sean llevados a cabo por un servicio técnico autorizado de Windsor conforme al cuaderno de mantenimiento.

### Trabajos de mantenimiento

Preparativos:

- Coloque la escoba mecánica sobre una superficie plana.
- Gire el interruptor de llave a "0" y retire la llave.
- Pulsar la tecla de desconexión de emergencia

#### Indicaciones generales de seguridad

##### ⚠ Peligro

Peligro de lesiones

El motor de la limpieza de filtro requiere aprox. 15 segundos de marcha por inercia tras la detención. No abra durante ese lapso el capó del aparato.

##### ⚠ Peligro

Peligro de lesiones Antes de realizar cualquier trabajo de mantenimiento y reparación, deje que el aparato se enfríe lo suficiente.

## Verificación y corrección del nivel de líquido de la batería

### ⚠ Advertencia

En el caso de las baterías llenas de ácido, verifique con regularidad el nivel de líquido.

- Desenrosque las tapas de todos los elementos.
- Si el nivel de líquido es demasiado bajo, llene hasta la marca con agua destilada.
- Cargue la batería.
- Enrosque las tapas de los elementos.

## Control de la presión de los neumáticos

- Coloque la escoba mecánica sobre una superficie plana.
- Conecte el manómetro a la válvula del neumático.
- Controle la presión de aire y, en caso de necesidad, ajústela.
- La presión de aire de la rueda trasera se debe ajustar a 90 psi (6 bares).

## Cambio de la rueda

### ⚠ Peligro

*Peligro de lesiones*

- Coloque la escoba mecánica sobre una superficie plana.
- Retire la llave.
- Si realiza trabajos de reparación en la vía pública y constituye un peligro debido a la circulación del tráfico, utilice ropa reflectante.
- Compruebe la estabilidad de la base. Asegure el equipo contra movimientos accidentales con un calzo adicional.

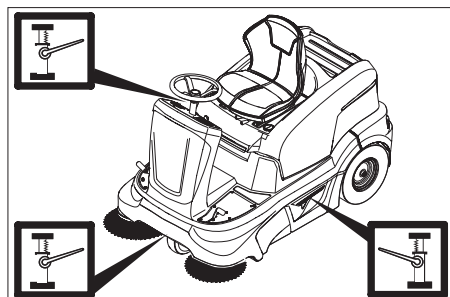
### Control de neumáticos

- Controle la superficie de rodadura de los neumáticos sobre objetos.
- Retire los objetos.
- Utilice productos de los habituales en el mercado que sean adecuados para la reparación de neumáticos.

### Nota

Tenga en cuenta las recomendaciones del respectivo fabricante. Sólo es posible continuar en el uso del producto si se respetan las indicaciones del fabricante. Realice el cambio de neumáticos/ruedas tan pronto como sea posible.

- Levantar y extraer el recipiente de suciedad en el lateral correspondiente.



- Coloque el gato en la posición correspondiente de la rueda delantera o trasera.
- Eleve el equipo con el gato.
- Retirar tornillo hexagonal (sólo en la rueda trasera).

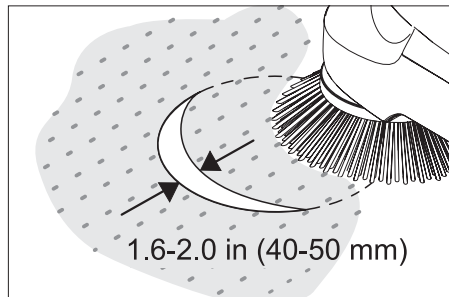
- Quite la rueda.
- Coloque la rueda de repuesto.
- Montar tornillo de seguridad (sólo en la rueda trasera).
- Baje el equipo con el gato.
- Introducir y encajar el recipiente de suciedad.

### Nota

Utilice un gato adecuado de los habituales en el mercado.

## Comprobar el nivel de barrido de la escoba lateral

- Controle la presión de los neumáticos.
- Elevar la escoba lateral.
- Trabaje con la escoba mecánica sobre un suelo liso y plano, que esté cubierto de forma visible con polvo o arcilla.
- Baje la escoba lateral y deje girar durante un breve lapso.
- Elevar la escoba lateral.
- Salga con el equipo marcha atrás.
- Coloque la escoba mecánica sobre una superficie plana.
- Comprobar el nivel de barrido.



El ancho de la superficie de barro debe estar entre 1.6-2.0 in (40-50 mm).

### Nota

Gracias al cojinete flotante de la escoba lateral, la superficie de barrido se reajusta automáticamente ante un desgaste de las cerdas. Si el desgaste es excesivo, habrá que cambiar dicha escoba.

## Reemplazo de la escoba lateral

- Coloque la escoba mecánica sobre una superficie plana.
- Coloque el programador en el nivel 1 (Conducción). Las escobas laterales se elevan.
- Gire el interruptor de llave a "0" y retire la llave.
- Afloje 3 tornillos de fijación en la parte inferior.
- Coloque la escoba lateral en el arrastador y atornille.

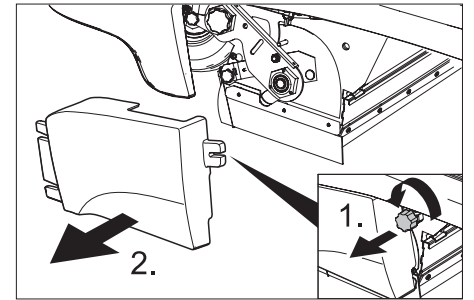
## Control del cepillo rotativo

- Coloque la escoba mecánica sobre una superficie plana.
- Coloque el programador en el nivel 1 (Conducción). El cepillo rotativo se eleva.
- Gire el interruptor de llave a "0" y retire la llave.
- Asegure el equipo contra movimientos accidentales con un calzo.
- Extraiga las cintas y los cordones del cepillo rotativo.

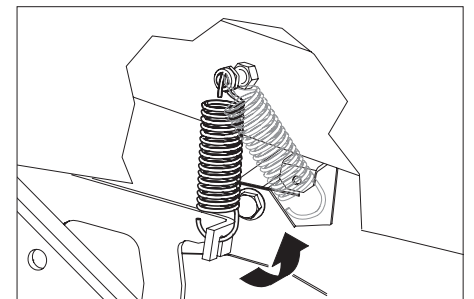
## Reemplazo del cepillo rotativo

Es necesario realizar el cambio cuando el resultado del barrido empeora ostensiblemente debido al desgaste de las cerdas.

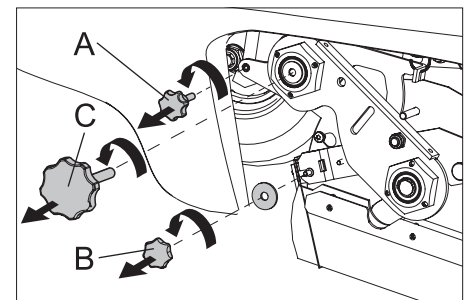
- Coloque la escoba mecánica sobre una superficie plana.
- Coloque el programador en el nivel 1 (Conducción). El cepillo rotativo se eleva.
- Gire el interruptor de llave a "0" y retire la llave.
- Asegure el equipo contra movimientos accidentales con un calzo.
- Levantar y extraer el recipiente de suciedad en el lateral izquierdo.



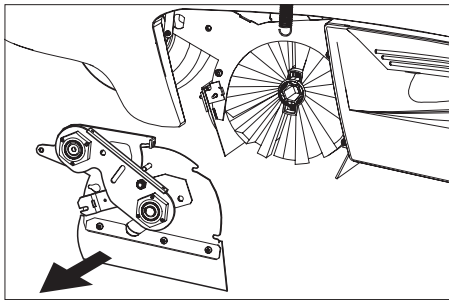
- Aflojar el tornillo de fijación del revestimiento lateral izquierdo.
- Quite el revestimiento lateral.



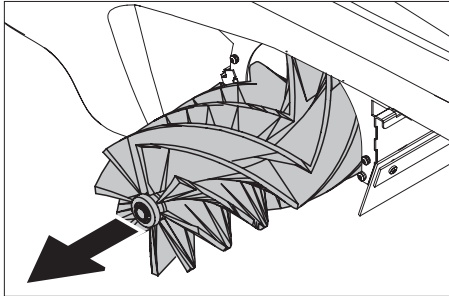
- Descolgar el muelle de resorte.



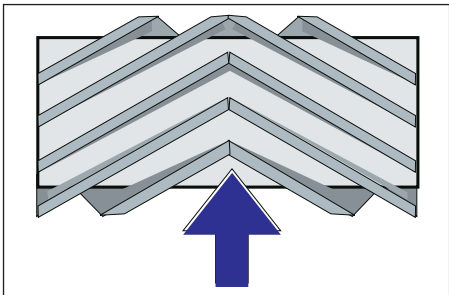
- A Tornillo de fijación del diafragma controlado por vacío
- B Tuerca de fijación de la tapa de suciedad gruesa
- C Tornillo de la biela del cepillo rotativo
- Desenroscar el tornillo de fijación del diafragma controlado por vacío y suelte la palanca.
- Desenroscar la tuerca de fijación de la tapa de suciedad gruesa y colgar la tapa de suciedad gruesa.
- Quite el tornillo de la biela del cepillo rotativo.



→ Desplazar hacia la izquierda y extraer la cubierta del cepillo rotativo.



→ Quite el cepillo rotativo.



Montaje del cepillo rotativo en la dirección de marcha

→ Lleve el nuevo cepillo rotativo hacia la respectiva caja y colóquelo sobre la espiga de transmisión.

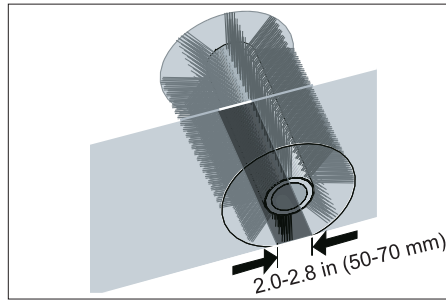
#### Nota

Al montar el nuevo cepillo, tenga en cuenta la posición de las cerdas.

- Coloque la cubierta del cepillo rotativo.
- Enroscar los tornillos y tuercas de fijación.
- Colgar el muelle de resorte.
- Fije el revestimiento lateral.
- Desplazar hacia dentro y encajar el recipiente de suciedad en ambos laterales.

#### Comprobar el nivel de barrido del cepillo rotativo

- Coloque el programador en el nivel 1 (Conducción). El cepillo rotativo y las escobas laterales se elevan.
- Trabaje con la escoba mecánica sobre un suelo liso y plano, que esté cubierto de forma visible con polvo o arcilla.
- Coloque el programador en el nivel 2. El cepillo rotativo se mueve hacia abajo. Accionar ligeramente el pedal acelerador y dejar girar el cepillo rotativo durante un breve lapso.
- Levante el cepillo rotativo.
- Accione el pedal para levantar la tapa de suciedad basta y manténgalo presionado.
- Salga con el equipo marcha atrás.



La superficie de barrido forma un rectángulo regular, que tiene entre 2.0 y 2.8 in (50 y 70 mm) de ancho.

#### Nota

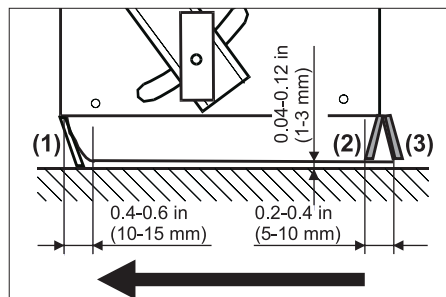
Gracias al cojinete flotante del cepillo rotativo, la superficie de barrido se reajusta automáticamente ante un desgaste de las cerdas. Si el desgaste es excesivo, habrá que cambiar dicho cepillo.

#### Ajuste y cambio de los cubrejuntas

- Coloque la escoba mecánica sobre una superficie plana.
- Coloque el programador en el nivel 1 (Conducción). El cepillo rotativo se eleva.
- Gire el interruptor de llave a "0" y retire la llave.
- Pulsar la tecla de desconexión de emergencia
- Asegure el equipo contra movimientos accidentales con un calzo.
- Levantar y extraer el recipiente de suciedad en ambos laterales.
- Afloje los tornillos de fijación del revestimiento lateral en ambos lados.
- Quite los revestimientos laterales.

#### ■ Cubrejuntas delantero

- Afloje un poco las tuercas de fijación del cubrejuntas delantero (1), quítelas para realizar el cambio.
- Fije el nuevo cubrejuntas sin apretar aún las tuercas.



- Alinee el cubrejuntas.
- Ajuste la distancia al suelo de manera tal que se pliegue hacia atrás con un juego de 0.4-0.6 in (10-15 mm).
- Apriete las tuercas.

#### ■ Listón de goma

- Reemplace en caso de desgaste.
- Quite las tuercas de fijación del listón de gomas (2).
- Fijar el nuevo listón de goma.

#### ■ Cubrejuntas trasero

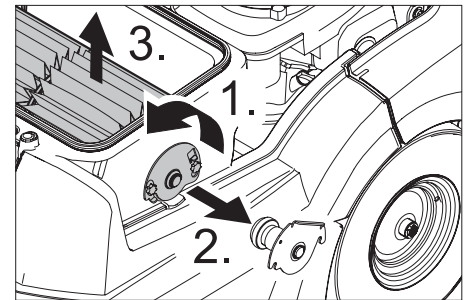
- Ajuste la distancia al suelo de manera tal que se pliegue hacia atrás con un juego de 0.2-0.4 in (5-10 mm).
- Reemplace en caso de desgaste.

- Quite las tuercas de fijación del cubrejuntas trasero (3).
- Fije el nuevo cubrejuntas.
- **Cubrejuntas laterales**
- Afloje un poco las tuercas de fijación del cubrejuntas lateral, quítelas para realizar el cambio.
- Fije el nuevo cubrejuntas sin apretar aún las tuercas.
- Para ajustar la distancia al suelo, intercale un elemento de 0.04-0.12 in (1-3 mm) de espesor.
- Alinee el cubrejuntas.
- Apriete las tuercas.
- Fije los revestimientos laterales.
- Desplazar hacia dentro y encajar el recipiente de suciedad en ambos laterales.

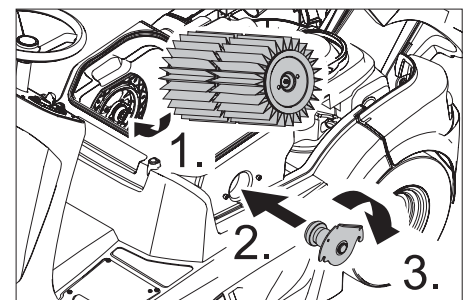
#### Cambio del filtro de polvo

##### ⚠ Peligro

- Antes de cambiar el filtro de polvo, vacíe el depósito de basura. Para efectuar trabajos en el sistema de filtro, utilice una máscara antipolvo. Observe las normas de seguridad referidas al tratamiento de polvos finos.
- Gire el interruptor de llave a "0" y retire la llave.
  - Pulsar la tecla de desconexión de emergencia
  - Abrir el capó del aparato.



- Suelte los tornillos de fijación.
- Presione hacia arriba y extraiga el soporte del filtro.
- Extraer el filtro de lamelas.
- Coloque el nuevo filtro.

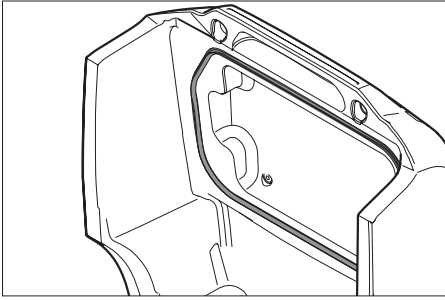


- Verifique que el arrastrador encaje en orificios (lado de accionamiento).
- Colocar el soporte del filtro y presionar hacia abajo.
- Apriete los tornillos de fijación.

#### Nota

En el montaje del nuevo filtro, evitar que se dañen las láminas.

## Cambio del sellado de la caja del filtro



→ Retire el elemento de sellado de la caja del filtro de la ranura ubicada en el capó del aparato.

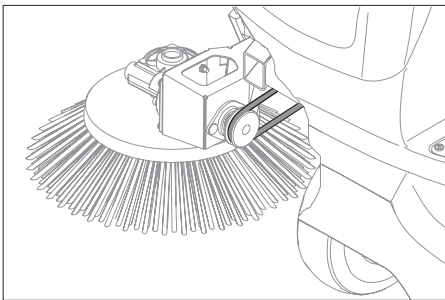
→ Coloque el nuevo elemento de sellado.

## Control de las correas de accionamiento

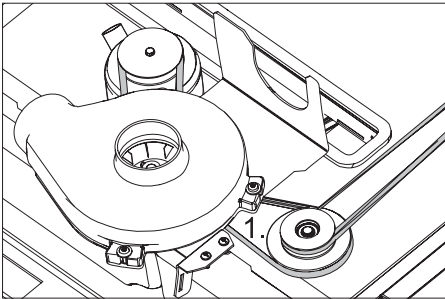
→ Gire el interruptor de llave a "0" y retire la llave.

→ Pulsar la tecla de desconexión de emergencia

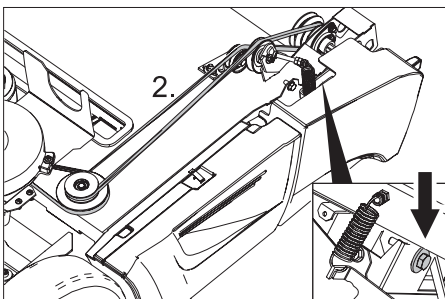
→ Abrir el capó del aparato.



→ Comprobar la tensión de las correas redondas de la escoba lateral, si están desgastadas o dañadas.

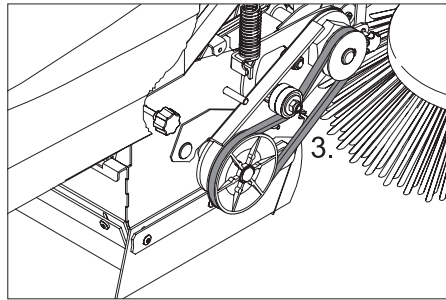


→ Comprobar si las correas trapezoidales del accionamiento del eje están bien tensas, desgastadas o dañadas.



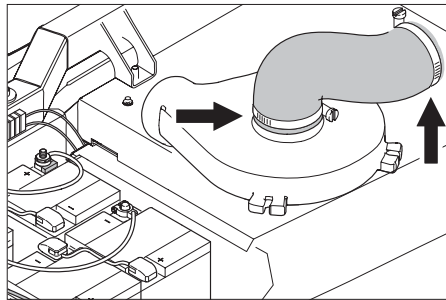
→ Comprobar si las correas trapezoidales del accionamiento del eje están bien tensas, desgastadas o dañadas.

→ Si es necesario volver a tensar las correas trapezoidales en el tornillo.



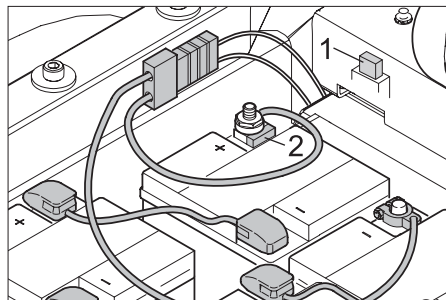
→ Comprobar si las correas trapezoidales del accionamiento del eje están bien tensas, desgastadas o dañadas.

## Comprobar el ventilador de absorción



→ Comprobar si el tubo del ventilador de absorción es estanco.

## Cambiar el fusible.



1 Fusible plano de automóvil

2 Fusibles de polos

– Sustituir fusible plano de automóvil con los siguientes valores: 1 A (F2) - Bomba de vacío

→ Sustituya el fusible defectuoso.

## Fusibles de polos

→ Sustituya el fusible defectuoso.

## Nota

Sólo puede cambiar los fusibles de polos defectuosos el servicio técnico de Windsor o un especialista autorizado. Si estos fusibles están defectuosos, se deben comprobar las condiciones de aplicación y todo el control.

## Accesorios

|   |                    |
|---|--------------------|
| <b>escoba lateral</b>   | <b>6.905-626.0</b> |
| Con cerdas estándar para las superficies interiores y exteriores. |                    |

|   |                    |
|---|--------------------|
| <b>Cepillo rotativo estándar</b>  | <b>4.762-430.0</b> |
| Resistente al desgaste y la humedad. Cerdas universales para la limpieza interior y exterior. |                    |

|   |                    |
|---|--------------------|
| <b>Rodillo rotativo suave</b>   | <b>4.762-442.0</b> |
| Con cerdas naturales especialmente para barrer polvo fino en suelos lisos en interiores. No es resistente a la humedad, no apto para superficies abrasivos. |                    |

|                        |                    |
|------------------------|--------------------|
| <b>filtro de polvo</b> | <b>6.414-576.0</b> |
|------------------------|--------------------|

|                                       |                    |
|---------------------------------------|--------------------|
| <b>Cepillo rotativo, antiestático</b> | <b>4.762-441.0</b> |
|---------------------------------------|--------------------|

|   |                    |
|---|--------------------|
| <b>Unidad de barrido para alfombras</b> | <b>2.641-665.0</b> |
|---|--------------------|

## Ayuda en caso de avería

### ⚠ Peligro

Peligro de lesiones Gire el interruptor de llave a la posición "0" y saque la llave. Pulsar la tecla de desconexión de emergencia

| Avería   | Modo de subsanarla  |
|--|---|
| No se puede poner en marcha el aparato   | Tome asiento en la plaza del conductor, el interruptor de contacto del asiento se activa                                |
|  | Desbloquear la tecla de desconexión de emergencia   |
|  | Conectar el enchufe de la batería.  |
|  | Coloque el interruptor de llave en la posición "1"  |
|  | Comprobar el fusible F1, si es necesario, ponerse en contacto con el servicio técnico de Windsor para que lo sustituyan |
|  | Comprobar las baterías y si es necesario recargar   |
| El aparato no barre bien   | Póngase en contacto con el servicio técnico de Windsor.   |
|  | Compruebe el grado de desgaste en el cepillo rotativo y las escobas laterales; en caso necesario, realice el cambio     |
|  | Compruebe el funcionamiento de la tapa de suciedad basta  |
|  | Compruebe el grado de desgaste en los cubrejuntas; en caso necesario, realice el ajuste o el cambio                     |
| El aparato levanta polvo   | Compruebe el grado de desgaste en los cubrejuntas; en caso necesario, realice el ajuste o el cambio                     |
|  | Compruebe el grado de desgaste en los cubrejuntas; en caso necesario, realice el ajuste o el cambio                     |
|  | Compruebe el grado de desgaste en los cubrejuntas; en caso necesario, realice el ajuste o el cambio                     |
|  | Compruebe el grado de desgaste en los cubrejuntas; en caso necesario, realice el ajuste o el cambio                     |
|  | Compruebe el grado de desgaste en los cubrejuntas; en caso necesario, realice el ajuste o el cambio                     |
|  | Compruebe el grado de desgaste en los cubrejuntas; en caso necesario, realice el ajuste o el cambio                     |
|  | Compruebe el grado de desgaste en los cubrejuntas; en caso necesario, realice el ajuste o el cambio                     |
| Barrido deficiente en los costados   | Reemplace las escobas laterales   |
|  | Compruebe el grado de desgaste en los cubrejuntas; en caso necesario, realice el ajuste o el cambio                     |
| El mecanismo de descenso de las escobas laterales o del cepillo rotativo no funciona | Póngase en contacto con el servicio técnico de Windsor.   |
|  | Compruebe el fusible F2, si es necesario cambiar  |
| Potencia de aspiración insuficiente  | Póngase en contacto con el servicio técnico de Windsor.   |
|  | Compruebe el grado de desgaste en los cubrejuntas; en caso necesario, realice el ajuste o el cambio                     |
|  | Compruebe el grado de desgaste en los cubrejuntas; en caso necesario, realice el ajuste o el cambio                     |
|  | Compruebe el grado de desgaste en los cubrejuntas; en caso necesario, realice el ajuste o el cambio                     |
|  | Compruebe el grado de desgaste en los cubrejuntas; en caso necesario, realice el ajuste o el cambio                     |
| El cepillo rotativo no gira  | Extraiga las cintas y los cordones del cepillo rotativo   |
|  | Póngase en contacto con el servicio técnico de Windsor.   |
| Se muestra el código de error  | Desconectar y volver a conectar el aparato  |
|  | Si vuelve a aparecer el código de error, diríjase al servicio técnico de Windsor  |

### Código de error

| Piloto de control - Servicio | Piloto de control - Nivel de carga de batería | Piloto de control - Sobrecarga de la limpieza de filtro | Piloto de control - Sobrecarga del motor de tracción | Piloto de control - Sobrecarga del cepillo rotativo | Significado   |
|------------------------------|---|---|--|---|---|
| amarillo                     | verde/amarillo/rojo                           | rojo  | rojo   | rojo  |   |
| parpadea                     | --  | --  | --   | x   | Tecla de desconexión de emergencia pulsada.             |
| parpadea                     | --  | --  | x  | --  | Exceso de temperatura en la platina                     |
| parpadea                     | --  | --  | x  | x   | Fallos en la tensión de batería                         |
| parpadea                     | --  | x   | --   | --  | Error en pedal acelerador                               |
| parpadea                     | --  | x   | --   | x   | Interrupción de línea, dispositivo consumidor eléctrico |
| parpadea                     | --  | x   | x  | --  | Cortocircuito, dispositivo consumidor eléctrico         |
| parpadea                     | --  | x   | x  | x   | Error durante proceso de carga                          |
| parpadea                     | x   | --  | --   | --  | Fallos en el módulo de potencia                         |
| parpadea                     | x   | --  | --   | x   | Fallos en el cargador incorporado                       |
| parpadea                     | x   | --  | x  | --  | Protección general no se abre                           |
| apagado                      | sin significado                               | x   | --   | --  | Sobrecarga de la limpieza de filtro                     |
| apagado                      | sin significado                               | --  | x  | --  | Sobrecarga del motor de tracción                        |
| apagado                      | sin significado                               | --  | --   | x   | Sobrecarga del cepillo rotativo                         |

## Datos técnicos

|  |  | RRB 360   |
|--|--|---|
| <b>Datos del equipo</b>  |  |   |
| Longitud x anchura x altura  | in (mm)                                | 64.4 x 38.6 x 49.6 (1635 x 980 x 1260)                |
| Peso en vacío  | lbs (kg)                               | 440.9 (200)   |
| Peso total admisible   | lbs (kg)                               | 1168.4 (530)  |
| Velocidad de marcha  | mph (km/h)                             | 3.7 (6)   |
| Velocidad de barrido   | mph (km/h)                             | 3.7 (6)   |
| Capacidad ascensional (máx.)   | %                                      | 12  |
| Diámetro del cepillo rotativo  | in (mm)                                | 9.8 (250)   |
| Ancho del cepillo rotativo   | in (mm)                                | 24.2 (615)  |
| Diámetro de las escobas laterales                                    | in (mm)                                | 16.1 (410)  |
| Potencia sin escobas laterales                                       | ft <sup>2</sup> /h (m <sup>2</sup> /h) | 39720 (3690)  |
| Potencia con 1 escobas laterales                                     | ft <sup>2</sup> /h (m <sup>2</sup> /h) | 58130 (5400)  |
| Potencia con 2 escobas laterales                                     | ft <sup>2</sup> /h (m <sup>2</sup> /h) | 76530 (7110)  |
| Anchura de trabajo sin escobas laterales                             | in (mm)                                | 24.2 (615)  |
| Anchura de trabajo con 1 escobas laterales                           | in (mm)                                | 35.4 (900)  |
| Anchura de trabajo con 2 escobas laterales                           | in (mm)                                | 46.7 (1185)   |
| Capacidad del depósito de basura                                     | gal (l)                                | 15.8 (60)   |
| Clase de protección contra caída de gotas de agua                    | --                                     | IPX 3   |
| <b>Motores</b>   |  |   |
| – <b>motor de tracción</b>   |  |   |
| Modelo   | --                                     | Motor con excitación en serie para avance y retroceso |
| Modelo   | --                                     | Motor en el centro del motor de la rueda delantera    |
| Tensión  | V                                      | 24  |
| Corriente nominal  | A                                      | 40  |
| Potencia nominal (mecánica)  | W                                      | 600   |
| Clase de protección  | --                                     | IP 54   |
| Número de revoluciones   | 1/min                                  | con progresión continua                               |
| – <b>Mecanismo de barrido y ventilador</b>                           |  |   |
| Modelo   | --                                     | Motor de reluctancia permanente de c.c.               |
| Modelo   | --                                     | B14   |
| Tensión  | V                                      | 24  |
| Corriente nominal  | A                                      | 33  |
| Potencia nominal (mecánica)  | W                                      | 600   |
| Clase de protección  | --                                     | IP 20   |
| Número de revoluciones   | 1/min                                  | 3600  |
| <b>Fusibles</b>  |  |   |
| Fusible (F1) Fusible principal                                       | A                                      | 150   |
| Fusible (F2) Bomba de vacío  | A                                      | 1   |
| <b>Equipo de neumáticos</b>  |  |   |
| Tamaño, tras.  | --                                     | 4.00-8  |
| Presión de aire, tras.   | psi (bar)                              | 90 (6)  |
| <b>Freno</b>   |  |   |
| Freno de servicio, freno de estacionamiento                          | --                                     | electrónico   |
| <b>Sistema de filtrado y aspiración</b>                              |  |   |
| Superficie activa del filtro para polvo fino                         | ft <sup>2</sup> (m <sup>2</sup> )      | 43.1 (4.0)  |
| Categoría de aplicación: filtro para polvos no nocivos para la salud | --                                     | M   |
| Depresión nominal del sistema de aspiración                          | psi (kPa)                              | 0.12 (0.8)  |
| Caudal volumétrico nominal del sistema de aspiración                 | gpm (l/s)                              | 649.1 (41)  |
| <b>Condiciones ambientales</b>                                       |  |   |
| Temperatura  | °F (°C)                                | 41...113 (+5...+45)                                   |
| Humedad del aire, sin condensación                                   | %                                      | 0 - 90  |
| <b>Emisión sonora</b>  |  |   |
| Nivel de presión acústica (EN 60704-1)                               | dB(A)                                  | 69  |
| Nivel de potencia acústica garantizado (2000/14/CE)                  | dB(A)                                  | 87  |
| <b>Vibraciones del aparato</b>                                       |  |   |
| Valor total de la vibración (ISO 5349)                               |  |   |
| Brazos, volante  | m/s <sup>2</sup>                       | 1.15  |
| Pies, pedal  | m/s <sup>2</sup>                       | 0.93  |
| Superficie de asiento  | m/s <sup>2</sup>                       | 0.35  |

**Trabajos de mantenimiento**

**Tras el primer mes o 5 horas de servicio**

- 1 Comprobar el desgaste de los cepillos rotativos y la escoba lateral y si hay cintas enrolladas.
- 2 Comprobar la superficie de barrido y el funcionamiento del cepillo rotativo y la escoba lateral.
- 3 control de la tensión, grado de desgaste y funcionamiento de las correas de accionamiento.
- 4 Compruebe la facilidad de movimiento de las piezas móviles.
- 5 Compruebe el funcionamiento de todos los elementos de mando y los pilotos de control.

**Cada 50 horas de servicio**

- 1 control de la tensión, grado de desgaste y funcionamiento de las correas de accionamiento.
- 2 Compruebe la facilidad de movimiento de las piezas móviles.
- 3 Comprobar las cubrejuntas del filtro de polvo y el funcionamiento del vibrador de filtros.
- 4 Compruebe el ajuste y el grado de desgaste de los cubrejuntas en la zona de barrido.
- 5 Comprobar la superficie de barrido y el funcionamiento del cepillo rotativo y la escoba lateral.
- 6 Limpiar el filtro de polvo e inspeccionar, cambiar si fuese necesario.
- 7 Comprobar el desgaste de los cepillos rotativos y la escoba lateral y si hay cintas enrolladas.
- 8 Compruebe el funcionamiento de todos los elementos de mando y los pilotos de control.
- 9 Comprobar el grado de desgaste de los cubrejuntas y si es necesario cambiar
- 10 Comprobar el nivel de ácido de las baterías (sólo en las baterías que apenas requieran mantenimiento).

**Trabajos de mantenimiento adicionales cada 100 horas de servicio o semianualmente**

- 1 Comprobar si los cables conductores de corriente y los contactos están dañados u oxidados.
- 2 Comprobar el funcionamiento y ajuste del freno de ajuste.
- 3 Comprobar los perfiles de junta del depósito de suciedad y la caja de cepillos rotativos.
- 4 Comprobar las baterías.
- 5 Limpiar la parte superior de las baterías.
- 6 Comprobar el desgaste de las escobillas de carbón.

**Trabajos de mantenimiento adicionales cada 500 horas de servicio o anualmente**

- 1 Cambiar las correas.
- 2 Cambiar las escobillas de carbón.

- 3 Compruebe si la rueda delantera presenta desgaste y, en caso necesario, cámbiela.

# WINDSOR INDUSTRIES

## North American New Machine Warranty

### Effective on all products shipped AFTER March 31, 2010

#### Limited Warranty

Windsor warrants new machines against defects in material and workmanship under normal use and service to the original purchaser. Any statutory implied warranties, including any warranty of merchantability or fitness for a particular purpose, are expressly limited to the duration of this written warranty. Windsor will not be liable for any other damages, including but not limited to indirect or special consequential damages arising out of or in connection with the furnishing, performance, use or inability to use the machine. This remedy shall be the exclusive remedy of the buyer.

The warranty period is subject to the conditions stated below.

#### 10 / 3 Warranty: 10 Years Polyethylene (PE) Housings, 3 Years Parts, and Service Labor

Subject to conditions outlined below, Windsor warrants rotationally molded PE housings and parts on all of its machines to be free from defects in material and workmanship, under normal use and service for ten (10) years to the original owner.

Under this warranty we guarantee the performance of non-polyethylene parts and components to be free from defects for up

to three (3) years to the original end user. Parts replaced or repaired under this warranty are guaranteed for the remainder of the original warranty period. (See table below)

Service labor charges are covered for up to three (3) years from the date of purchase through authorized Windsor service provider. No travel coverage is extended for cord-electric models. See table below for each general product model warranty coverage.

#### Upright Vacuums:

| Product                            | Non- PE Parts                         |          | Service Labor |
|------------------------------------|---------------------------------------|----------|---------------|
| Versamatic® / Flexamatic® / Access | Belts                                 | Lifetime | 1 year        |
|                                    | Vacuum Motor, Swivel Neck and Chassis | 3 years  | 3 years       |
|                                    | Brush Motor and Bag Housing           | 5 years  | 5 years       |
| SENSOR®                            | Belts                                 | Lifetime | 1 year        |
|                                    | Vacuum Motor and Chassis              | 2 years  | 2 years       |
|                                    | Bag Housing                           | 5 years  | 5 years       |

#### Upright Vacuums Exceptions and Exclusions:

Normal wear items not limited to brushes, foot pedal, cords, clutches, filters, gaskets, hoses, and bearings will be warranted for

manufacturing defects for 90 days from the purchase date. All other items are 1 year parts and labor.

#### All Other Products:

| Product  | PE Housing & Parts | Non- PE Parts         | Service Labor         | Travel   |
|--|--------------------|-----------------------|-----------------------|----------|
| Rider / Stand up Scrubbers                       | 10 years           | 3 years or 2000 hours | 3 years or 2000 hours | 6 Months |
| Rider Sweepers                                   | 10 years           | 3 years               | 3 years               | 6 Months |
| Walk Behind Scrubbers                            | 10 years           | 3 years or 2500 hours | 3 years or 2500 hours | 6 Months |
| Walk Behind Sweepers                             | 10 years           | 3 years               | 3 years               | 6 Months |
| Battery Burnishers                               | 10 years           | 3 years               | 3 years               | 6 Months |
| Extractors / Compass                             | 10 years           | 3 years               | 3 years               | -        |
| Polishers / Elec. Burnishers / GH / iCapsol Mini | 10 years           | 3 years               | 3 years               | -        |
| Wide Areas Vacuums                               | 10 years           | 3 years               | 3 years               | -        |
| VacPak Vacuums                                   | 10 years           | 1 year                | 1 year                | -        |
| Tracer/Flex Sweepers/Scrubbers                   | 10 years           | 3 years               | 3 months              | 90 days  |
| Air Movers / Dri-matic / TITAN™ /Rombus/Priza    | 1 year             | 1 year                | 1 year                | -        |
| Canister Vacuum                                  | 1 year             | 1 year                | 1 year                | -        |
| Wet/Dry Vacuum                                   | 1 year             | 1 year                | 1 year                | -        |
| Broom  | 1 year             | 1 year                | 1 year                | -        |
| Steamer  | 1 year             | 1 year                | 1 year                | -        |
| Propane Burnishers / Strippers                   | -                  | 2 years               | 1 year                | -        |

#### Product exceptions and Exclusions:

- Extractor brush motors, **ALL** pump motors, **ALL** PC boards and electronics, **ALL** Vacuum motors, **ALL** pumps, and diaphragms/Tank bags carry a one (1) year parts and service labor warranty.
- The Eagle-Robin® engines have three (3) year manufacturer's warranty. The Honda® and Kawasaki® engines have

two (2) year manufacturer's warranty.

**NOTE:** The engine warranty is administered through the engine manufacturer and must be repaired at an authorized service center.

Normal wear items and accessories including, but not limited to, belts, brushes, carbon brushes, clutches, cords, filters, finishes, gaskets, hoses, light bulbs,

squeegees, bearings, actuating cables, tires, and propane tanks will be warranted for manufacturing defects for 90-days from the purchase date. The warranty commences on the purchase date by the original end user from an authorized Windsor agent, subject to proof of purchase. The Machine Registration Card must be completed and returned immediately at the time of purchase. If proof of purchase cannot be



identified, the warranty start date is 90 days after the date of sale to an authorized Windsor distributor. Parts replaced or repaired under warranty are guaranteed for the remainder of the original warranty period.

#### **90 Day Warranty Extension Available**

Upon receipt of the Machine Registration Card, Windsor will extend by 90 days, from the date of purchase, all items included under the one-year provision. This applies only to one-year items and does not include 90-day wear items.

#### **This Warranty Shall Not Apply To:**

- 1 Any product that has been subject to abuse, misuse, neglect or unauthorized alteration (including the use of incompatible or corrosive chemicals or overloading of capacity).
- 2 Products that have experienced shipping or freight damage.
- 3 Repairs necessary to correct any failure due to improper pre-delivery service and inspection by the selling dealer.
- 4 Excessive time for cleaning units in preparation for repair.
- 5 Any repairs resulting from poor initial service work or improper diagnosis.
- 6 Tune-up parts such as plugs, plug wires and condensers.
- 7 Any design alterations performed by an organization not authorized or specified by Windsor.
- 8 Battery and charger warranties are handled directly with the manufacturer (Trojan® batteries and Lester® chargers).
- 9 High-pressure washing
- 10 Electrical components exposed to moisture.

If difficulty develops during the warranty period, contact the authorized Windsor agent from whom the product was purchased. Windsor Industries, Inc. may elect to require the return of components to validate a claim. Any defective part to be returned must be shipped freight prepaid to an authorized Windsor Distributor/Service Center or to the Windsor factory.

#### **Use Of Parts Not Approved By Windsor Industries, Inc. Will Void All Warranties**

This warranty is valid only for all products Shipped/Sold **AFTER** March 31, 2010. A product sold before that date shall be covered by the limited warranty in effect at the date of sale to the original purchaser.

#### ***Windsor Industries reserves the right to change its warranty policy without notice – 86019540 Rev 107***

Windsor - 1351 West Stanford Avenue - Englewood, CO 80110 USA  
Tel 800-444-7654 • Financial Service 800-804-6804 • Fax 866-271-0520 • email: info@windsorind.com • www.windsorind.com

A member of KÄRCHER North America

