

**Spare parts list**  
**(5.972-644.0) Spare parts list Radius 360 T**

## Table of contents

---

<b>Spare parts list Radius 360 T (5.972-644.0)</b>	<b>3</b>
10 Basic machinery	4
11 Basic machinery individual parts	5
12 Cover battery	7
20 Steering battery	9
16 Wheel drive motor 600W (6.613-206.0)	12
26 Spare part set bearing (4.641-045.0)	14
30 Pedal	15
31 Pedal bulk waste flap	16
27 Dust protection vacuum diaphragm unit ov (4.040-815.0)	19
32 Pedal battery	20
25 Dust protection vacuum diaphragm unit ov (4.040-815.0)	22
33 Pedal battery	23
25 Dust protection vacuum diaphragm unit ov (4.040-815.0)	26
40 Filter box	27
18 Valve block complete (4.582-021.0)	31
50 Sweep roller chest	33
64 Reversing rolling mill complete KM 90 /6 (4.762-430.0)	38
66 Sheet metal component bulk waste flap kp (4.040-701.0)	39
93 Sheet metal component sweep roller chang (4.040-824.0)	40
60 Operating unit	41
61 Control panel battery	42
62 Operating unit key switch	44
70 Transmission battery	46
14 Direct current motor (6.613-288.0)	49
80 Battery box completely	50
90 Side broom right	52
34 Dust protection vacuum diaphragm unit ov (4.040-815.0)	55
100 Electronics battery	56
110 Accessories	59
111 ABS side broom left	60
112 Add-on kit revolving signal light	63
113 Add-on kit filter box double APFC	65
114 Add-on kit carpet sweep	68
21 Reversing rolling mill complete antistat (4.762-441.0)	70
115 Add-on kit tire equipment solid rubber	72
120 Set holder broom Homebase	74
130 Set bulk waste gripper	76

**Spare parts list Radius 360 T (5.972-644.0)**

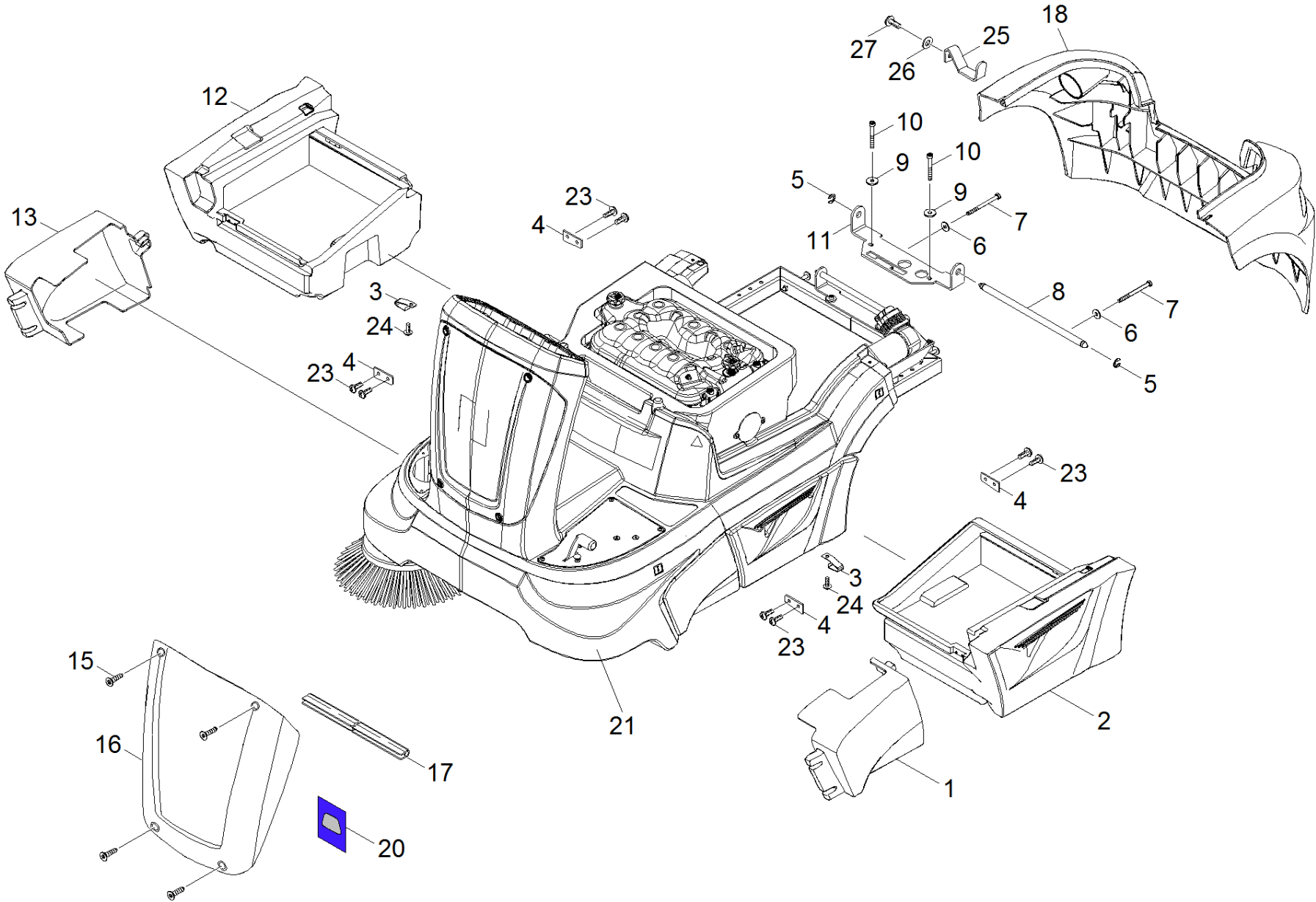
<b>Pos</b>	<b>Name</b>	<b>Qty.</b>	<b>Unit</b>
10	Basic machinery	1.000	ST
20	Steering battery	1.000	ST
30	Pedal	1.000	ST
40	Filter box	1.000	ST
50	Sweep roller chest	1.000	ST
60	Operating unit	1.000	ST
70	Transmission battery	1.000	ST
80	Battery box completely	1.000	ST
90	Side broom right	1.000	ST
100	Electronics battery	1.000	ST
110	Accessories	1.000	ST
120	Set holder broom Homebase	1.000	ST
130	Set bulk waste gripper	1.000	ST

## 10 Basic machinery

---

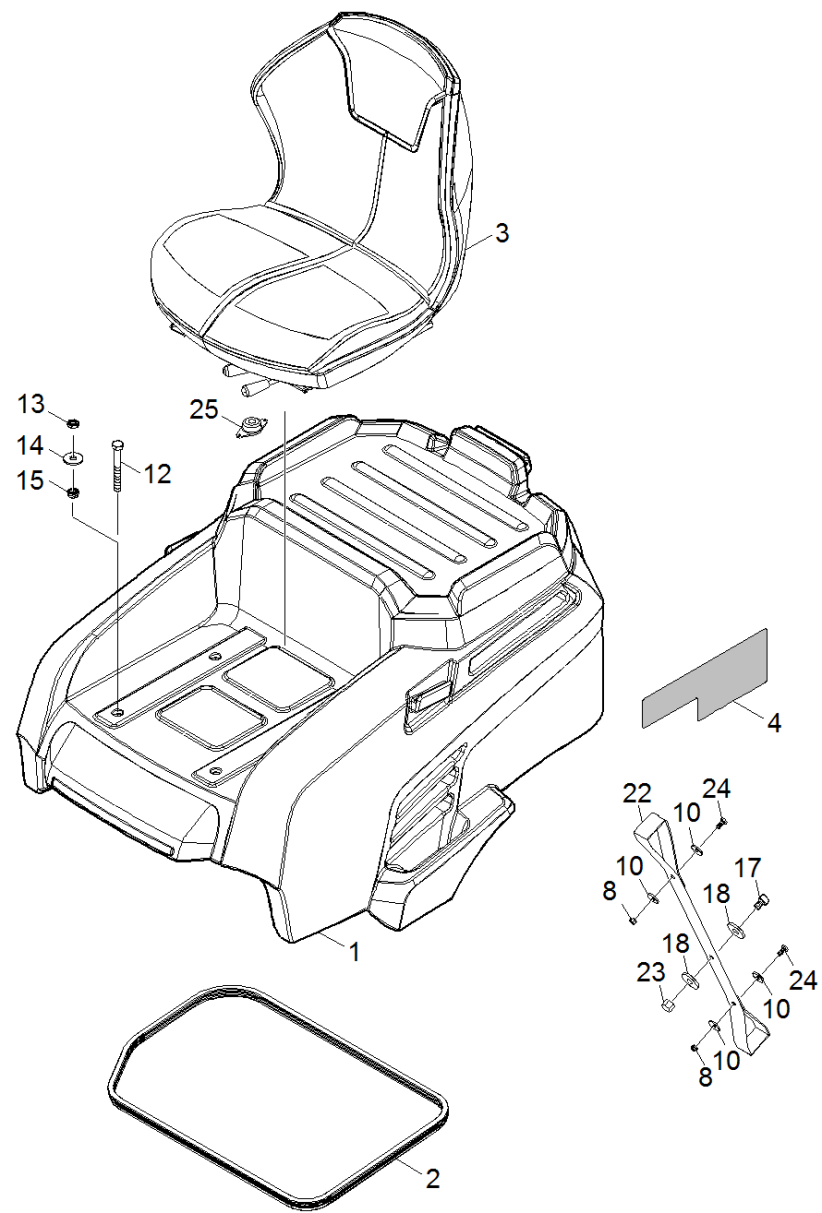
Pos	Name	Qty.	Unit
11	Basic machinery individual parts	1.000	ST
12	Cover battery	1.000	ST

11 Basic machinery individual parts



## 11 Basic machinery individual parts

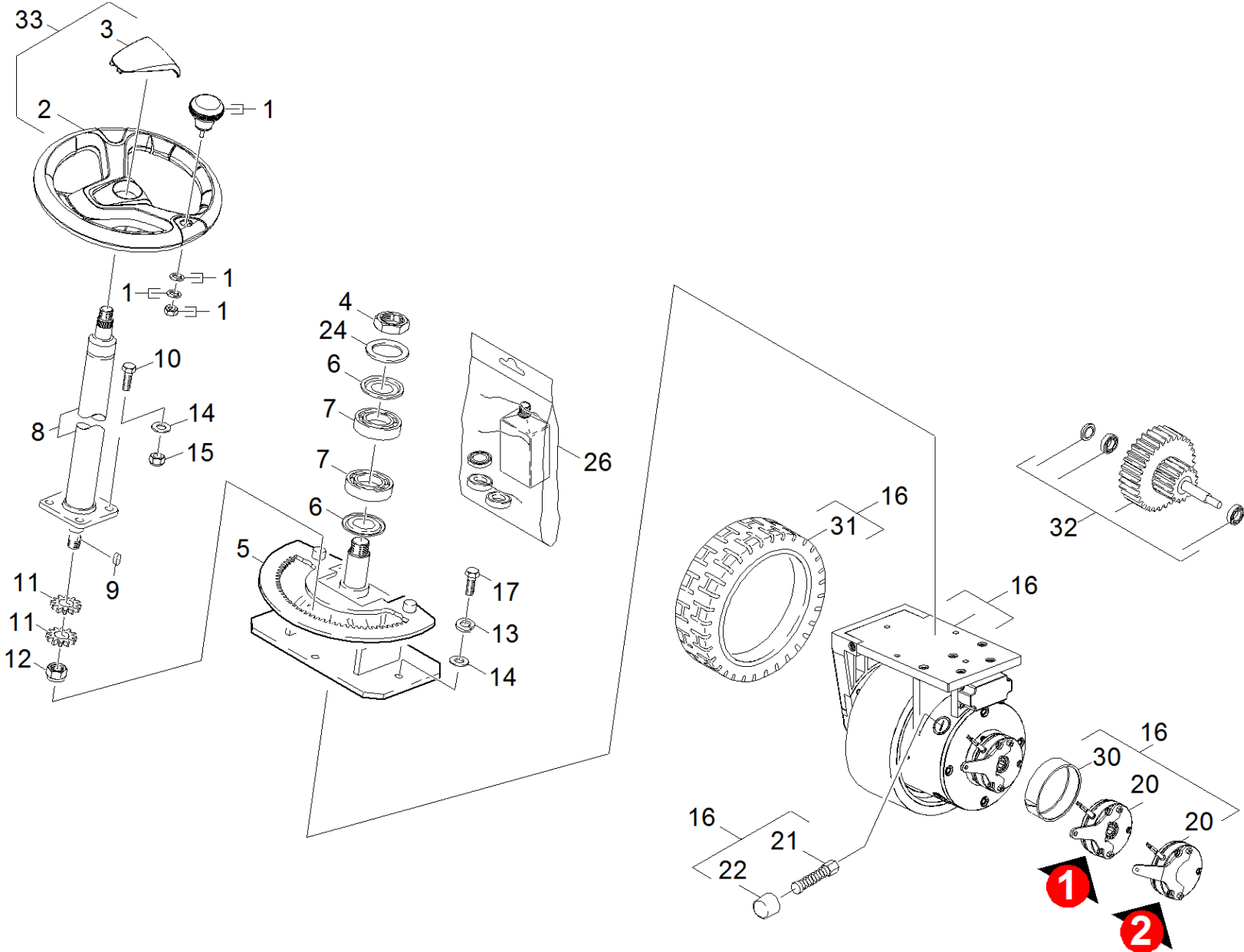
ET/VT (spare/wear parts)	Pos	Material #	Name	Qty.	Unit	Footnote text
	1	5.033-213.0	Covering side left	1.000	ST	
	2	5.033-165.0	Sweep tank left KM 90/60 R	1.000	ST	
	3	5.337-031.0	Plate spring stop	2.000	ST	
X	4	5.009-418.0	Plate locking bar sweep tank	4.000	ST	
	5	7.343-306.0	Lock washer 12-St-A2E DIN 6799	2.000	ST	
X-X	6	7.312-289.0	Washer 8 -A2 ISO 7093-1	2.000	ST	
	7	7.304-033.0	Hexagonal head screw M 8X100-A4-70 ISO 4	2.000	ST	
	8	5.317-230.0	Bearing pin cover KM90/60R	1.000	ST	
	9	7.312-261.0	Washer 8 -100HV-A3E ISO 7094	2.000	ST	
	10	7.306-151.0	Cylinder head screw M8x65 -8.8-A2E ISO4	2.000	ST	
	11	5.061-627.0	Sheet metal component hinge cover	1.000	ST	
	12	5.033-166.0	Sweep tank right KM 90/60 R	1.000	ST	
	13	5.033-214.0	Covering side right	1.000	ST	
X-X	15	6.304-121.0	Oval head screw M 5X12	4.000	ST	
	16		Cover front panel RRB 360 Blau	1.000	ST	
	17	6.365-371.0	Profile gasket	1.000	M	TO ORDER AS CUT GOODS
	18	5.033-164.0	Covering rear KM 90/60 R P	1.000	ST	
	20	5.395-041.0	Adhesive label Windsor	1.000	ST	
	21	5.033-163.0	Front component filter box KM 90/60 R	1.000	ST	
	23	6.303-125.0	Screw 5x20-Sonder In6Rd+Spitze	8.000	ST	
	24	7.303-030.0	Screw M4x8 -St-P2R (In6Rd)	4.000	ST	
	25	5.062-463.0	Sheet metal component angle rope	1.000	ST	
X-X	26	7.312-002.0	Washer 5-200HV-A3E ISO 7090	1.000	ST	
	27	7.303-076.0	Sheet metal screw ST4,8X13 -St-R2R (In6	1.000	ST	



## 12 Cover battery

ET/VT (spare/wear parts)	Pos	Material #	Name	Qty.	Unit
	1	5.069-368.0	Cover RRB 360 T	1.000	ST
X	2	6.366-058.0	Sealing profile	1.000	M
X	3	6.394-729.0	Seat COBO PS48	1.000	ST
	4	5.395-040.0	Adhesive label Radius 360T	2.000	ST
X	5	6.365-413.0	Sealing profile	1.000	M
X-X	8	7.311-421.0	Hexagon nut M 5-04-A2E ISO 10511	2.000	ST
X	9	7.306-443.0	Cylinder head screw M5x12-4.8-A2E ISO 1	2.000	ST
X	10	7.312-264.0	Washer 5-100HV-A3E ISO 7094	4.000	ST
	12	7.304-402.0	Hexagonal head screw M8x65-8.8-A2E ISO	4.000	ST
X-X	13	7.311-224.0	Hexagon nut M 8-04-A2E ISO 4035	4.000	ST
X	14	7.312-277.0	Washer 8-200HV-A2E ISO7093-1	4.000	ST
X-X	15	7.311-427.0	Hexagon nut M8 -04-A2E ISO 10511	4.000	ST
X	17	7.306-119.0	Cylinder head screw M8x12 -A2-70 ISO 47	1.000	ST
	18	7.312-261.0	Washer 8 -100HV-A3E ISO 7094	2.000	ST
	19	7.311-337.0	Cap nut M 8-5-A2J DIN 917	1.000	ST
	22	6.373-969.0	Belt strap cover support	1.000	ST
	23	7.311-337.0	Cap nut M 8-5-A2J DIN 917	1.000	ST
X-X	24	7.306-076.0	Screw M 5x12-ST- 8.8-A2R (IN6RD)	1.000	ST
	25	6.630-495.0	Contact switch seat	1.000	ST





## 20 Steering battery

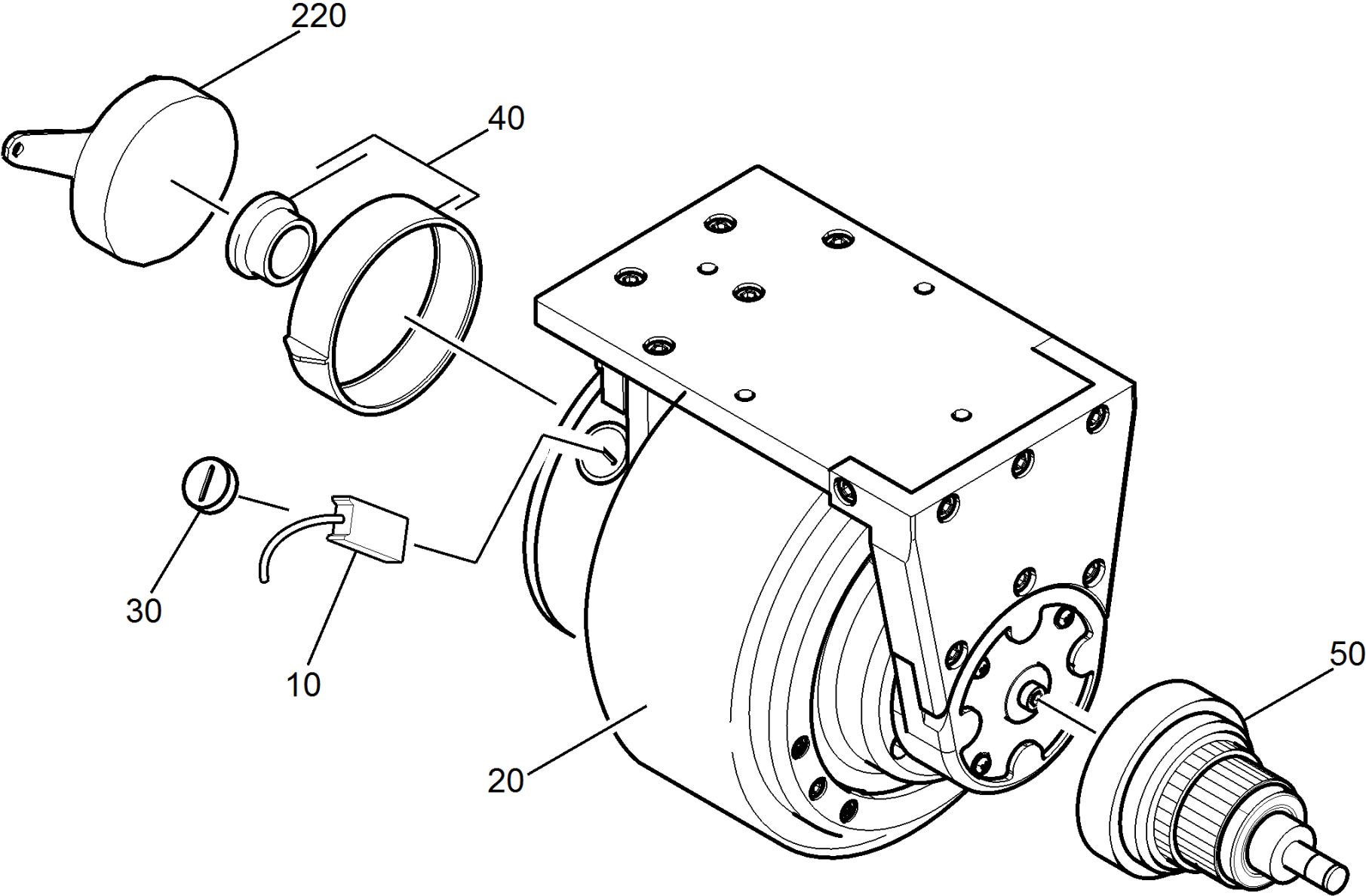
ET/VT (spare/wear parts)	Pos	Material #	Name	Qty.	Unit	var. information
X-X	1	6.640-354.0	Handle	1.000	ST	
X-X	2	6.435-795.0	Steering wheel	1.000	ST	
	3	6.640-352.0	Cap steering wheel WINDSOR	1.000	ST	
	4	7.311-122.0	Hexagon nut M24X1,5-22H-A2E DIN 936	1.000	ST	
	5	4.520-164.0	Wheel fork complete Bp	1.000	ST	
X	6	6.401-263.0	Slip ring	2.000	ST	
	7	6.401-260.0	Angular contact ball bearing	2.000	ST	
	8	6.439-201.0	Steering KM 90/60 R	1.000	ST	
X-X	9	7.318-090.0	Parallel key A5x5x10-C45R DIN 6885	1.000	ST	
X-X	10	7.304-414.0	Hexagonal head screw M10x20-8.8-A3E ISO	4.000	ST	
X-X	11	5.352-000.0	Gear wheel	2.000	ST	
X-X	12	7.311-059.0	Hexagon nut M16x1,5 -8-A2E ISO10512	1.000	ST	
X	13	7.313-030.0	Spring washer A10-FST DIN 128	4.000	ST	
X-X	14	7.312-005.0	Washer 10-200HV-A3E ISO 7090	4.000	ST	
X-X	15	7.311-423.0	Hexagon nut M10 -04-A2E ISO 10511	4.000	ST	
	16	6.613-206.0	Wheel drive motor 600W	1.000	ST	KC 801-001A
	17	7.304-415.0	Hexagonal head screw M10x25-8.8-A3E ISO	4.000	ST	
X	20	4.467-000.0	Brake adjustable complete	1.000	ST	Version 2
X-X	20	4.467-002.0	Brake adjustable complete	1.000	ST	Version 1
X-X	21	6.613-231.0	Carbon brush set	1.000	ST	
X	22	6.961-924.0	Cover closure	1.000	ST	
	24	7.312-010.0	Washer 24 -200HV-A3E ISO 7090	1.000	ST	
	26	4.641-045.0	Spare part set bearing	1.000	ST	
X-X	30	6.467-039.0	Retrofit kit brake	1.000	ST	
X-X	31	6.435-854.0	Tire wheel drive motor	1.000	ST	

## 20 Steering battery

---

ET/VT (spare/wear parts)	Pos	Material #	Name	Qty.	Unit	var. information
	32	6.550-040.0	Set armature shaft fuer Fahrmotor	1.000	ST	
	33	4.040-819.0	Spare part set steering wheel complete	1.000	ST	

---



**16 Wheel drive motor 600W (6.613-206.0)**

ET/VT (spare/wear parts)	Pos	Material #	Name	Qty.	Unit
X-X	10	6.613-231.0	Carbon brush set	1.000	ST
X-X	20	6.435-854.0	Tire wheel drive motor	1.000	ST
X	30	6.961-924.0	Cover closure	1.000	ST
X	40	6.961-925.0	Dust protection brake	1.000	ST
X	50	6.550-042.0	Set armature shaft wheel drive motor	1.000	ST
X	220	4.467-000.0	Brake adjustable complete	1.000	ST

**26 Spare part set bearing (4.641-045.0)**

---

ET/VT (spare/wear parts)	Pos	Material #	Name	Qty.	Unit
X-X	1	7.401-134.0	Ball bearing 6203-2RS-WAELZLAGST DIN 625	1.000	ST
	2	7.401-133.0	Ball bearing 6004-2RS -Wälzl.St. DIN 625	1.000	ST
	4	6.997-364.0	Synthesis oil CLP150	1.000	ST

---

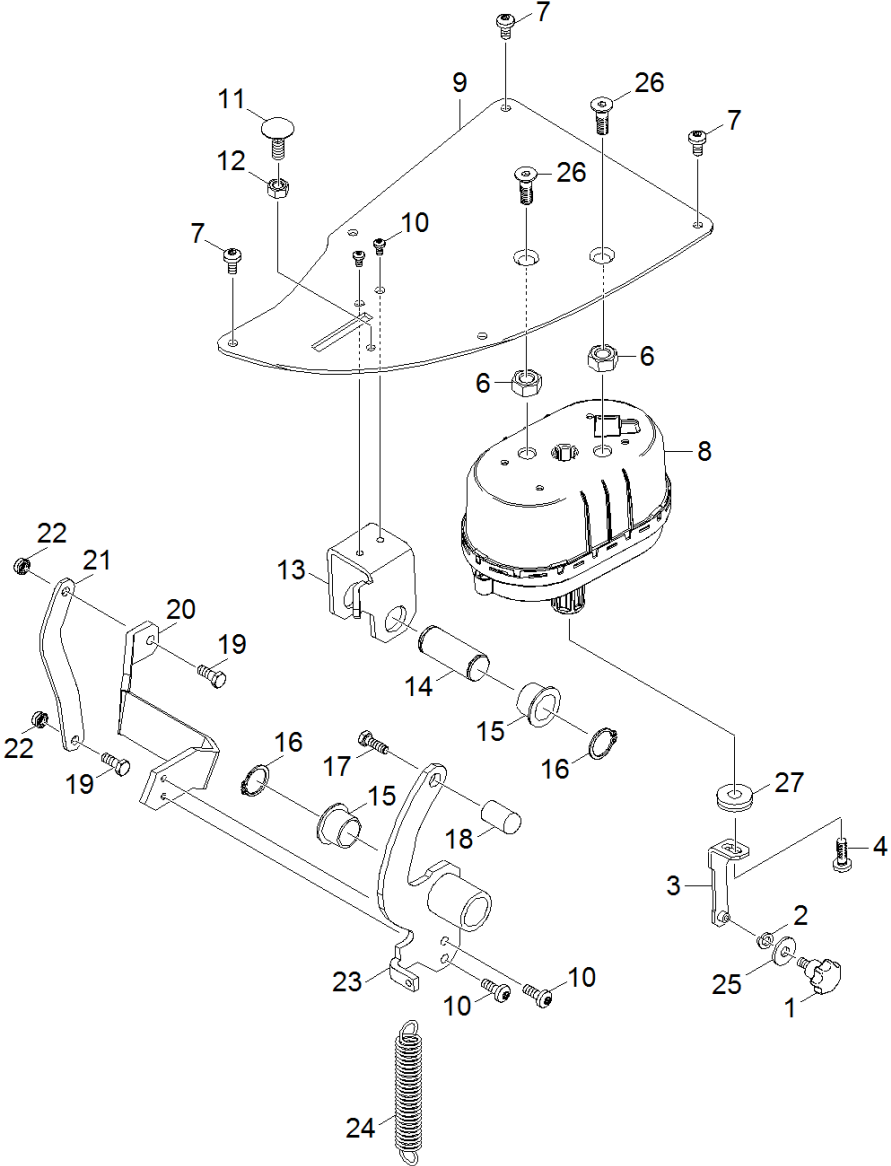
### 30 Pedal

---

Pos	Name	Qty.	Unit	var. information
31	Pedal bulk waste flap	1.000	ST	
32	Pedal battery	1.000	ST	VERSION 1
33	Pedal battery	1.000	ST	VERSION 2

---

31 Pedal bulk waste flap





### 31 Pedal bulk waste flap

ET/VT (spare/wear parts)	Pos	Material #	Name	Qty.	Unit
	1	6.321-196.0	Star grip M5x10	1.000	ST
X-X	2	7.313-002.0	Spring washer B 5-FSt-A3E DIN 127	1.000	ST
	3	4.040-709.0	Lever lifting reversing rolling mill	1.000	ST
X-X	4	7.306-230.0	Screw M8x25 -A4-70 (In6Rd)	1.000	ST
X-X	6	7.311-010.0	Hexagon nut M16-8-A3E ISO 4032	2.000	ST
X-X	7	7.306-089.0	Screw M6x12 -8.8-R2R (In6Rd)	3.000	ST
X-X	8	6.421-331.0	Vacuum diaphragm unit oval lift 45 mm	1.000	ST
	9	5.009-184.0	Plate plate pedal	1.000	ST
	10	7.306-090.0	Screw M6x16 -8.8-R3R (In6Rd)	4.000	ST
	11	7.303-273.0	Saucer-head screw M8x25 -St-P2R DIN 603	1.000	ST
	12	7.311-093.0	Hexagon nut M8 -8-R2R ISO 4032	1.000	ST
	13	5.061-449.0	Sheet metal component holder pedal	1.000	ST
	14	5.317-211.0	Bolt pedal GSK	1.000	ST
	15	6.403-047.0	Plain bearing	2.000	ST
X-X	16	7.343-007.0	Locking ring 20x1,2-FST-RF DIN 471	2.000	ST
	17	7.306-224.0	Screw M10x35-A2-70 DIN 7984	1.000	ST
	18	5.321-701.0	Handhold	1.000	ST
X-X	19	7.304-521.0	Hexagonal head screw M 6x16-A4-70 ISO 4	2.000	ST
	20	5.061-448.0	Sheet metal component lever GSK	1.000	ST
	21	5.061-442.0	Sheet metal component connection GSK-Ped	1.000	ST
X-X	22	7.311-425.0	Hexagon nut M6 -04-A2E ISO 10511	2.000	ST
	23	4.040-617.0	Sheet metal component complete pedal GSK	1.000	ST
	24	6.330-091.0	Extension spring	1.000	ST
X	25	7.312-264.0	Washer 5-100HV-A3E ISO 7094	1.000	ST
X-X	26	7.305-104.0	Countersunk screw M8x25 -8.8-R3R ISO 10	2.000	ST

### 31 Pedal bulk waste flap

---

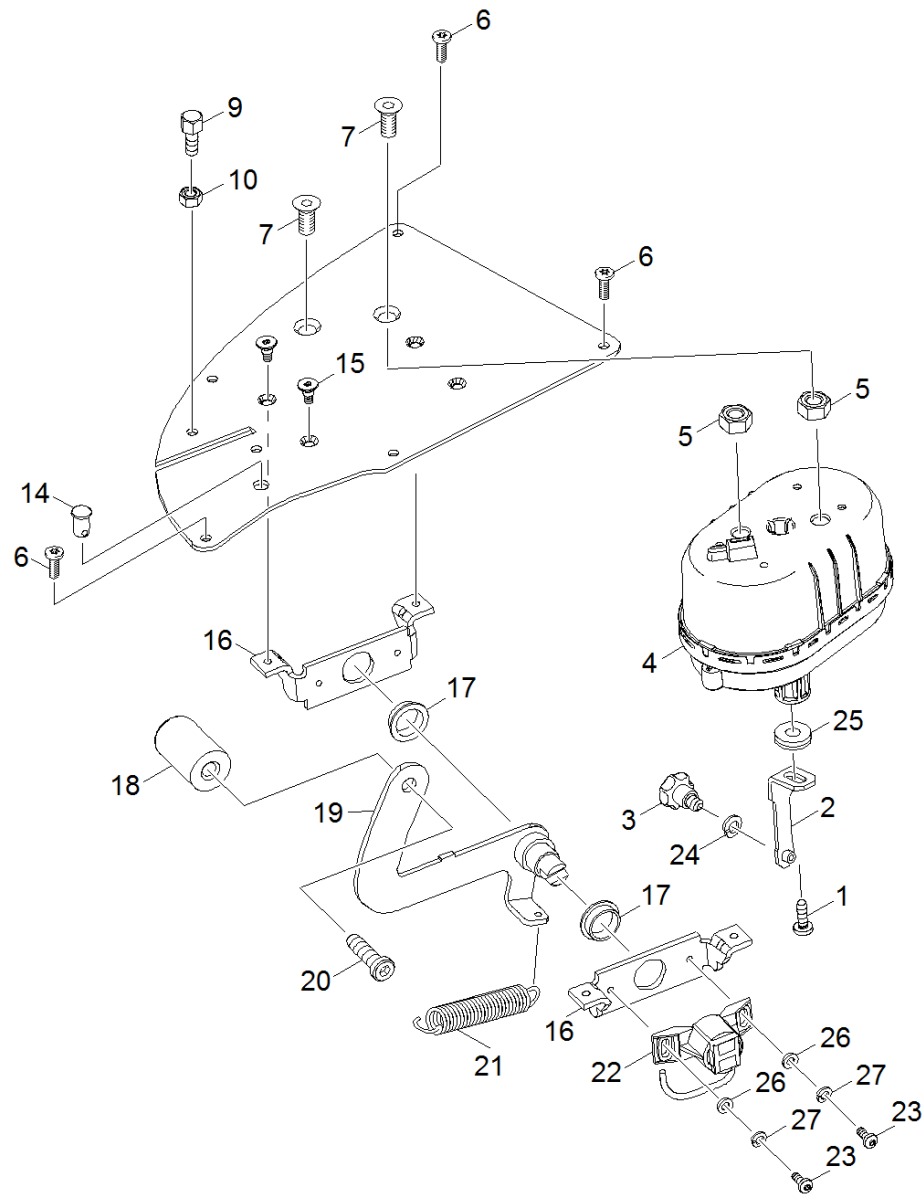
ET/VT (spare/wear parts)	Pos	Material #	Name	Qty.	Unit
X-X	27	4.040-815.0	Dust protection vacuum diaphragm unit ov	1.000	ST

**27 Dust protection vacuum diaphragm unit ov (4.040-815.0)**

---

Pos	Material #	Name	Qty.	Unit
1	5.062-199.0	Washer D 34	1.000	ST

---



### 32 Pedal battery

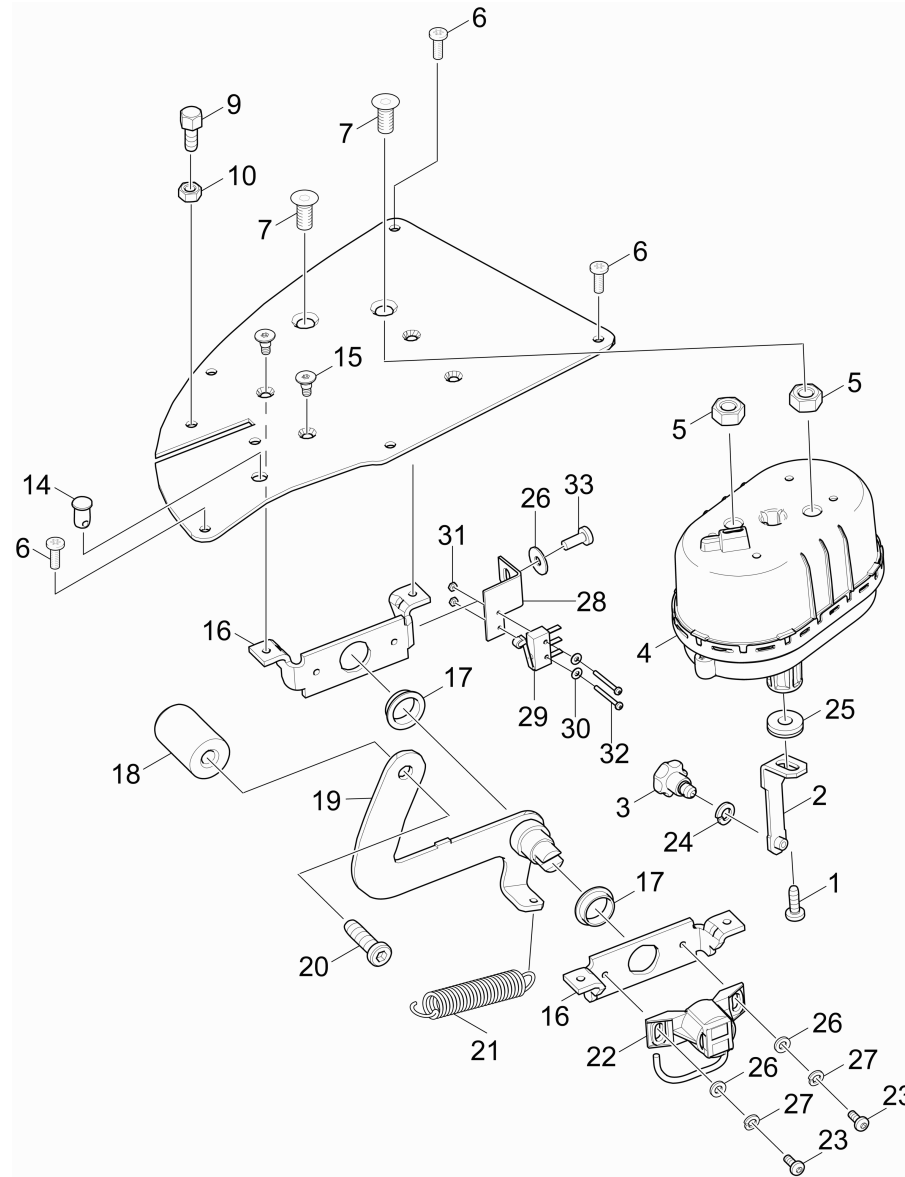
ET/VT (spare/wear parts)	Pos	Material #	Name	Qty.	Unit
X-X	1	7.306-230.0	Screw M8x25 -A4-70 (In6Rd)	1.000	ST
	2	4.040-709.0	Lever lifting reversing rolling mill	1.000	ST
	3	6.321-004.0	Star grip M5x10	1.000	ST
X-X	4	6.421-331.0	Vacuum diaphragm unit oval lift 45 mm	1.000	ST
X-X	5	7.311-010.0	Hexagon nut M16-8-A3E ISO 4032	2.000	ST
X-X	6	7.306-089.0	Screw M6x12 -8.8-R2R (In6Rd)	3.000	ST
X-X	7	7.305-104.0	Countersunk screw M8x25 -8.8-R3R ISO 10	2.000	ST
	9	7.303-273.0	Saucer-head screw M8x25 -St-P2R DIN 603	1.000	ST
	10	7.311-093.0	Hexagon nut M8 -8-R2R ISO 4032	1.000	ST
X-X	14	5.317-086.0	Bolt power brush	1.000	ST
	15	7.305-030.0	Countersunk screw M6x12 -8.8-R2R (In6Rd)	4.000	ST
	16	5.061-804.0	Sheet metal component bearing pedal KM90	2.000	ST
X-X	17	6.403-031.0	Plain bearing 20/28	2.000	ST
	18	5.321-701.0	Handhold	1.000	ST
	19	4.040-730.0	Sheet metal component pedal completely K	1.000	ST
	20	7.306-224.0	Screw M10x35-A2-70 DIN 7984	1.000	ST
	21	6.330-091.0	Extension spring	1.000	ST
	22	6.600-300.0	Tachograph sensor B	1.000	ST
X	23	7.306-443.0	Cylinder head screw M5x12-4.8-A2E ISO 1	2.000	ST
X-X	24	7.312-002.0	Washer 5-200HV-A3E ISO 7090	1.000	ST
X-X	25	4.040-815.0	Dust protection vacuum diaphragm unit ov	1.000	ST
X	26	7.312-278.0	Washer 5-200HV-A2E ISO7093-1	2.000	ST
X-X	27	7.313-002.0	Spring washer B 5-FSt-A3E DIN 127	2.000	ST

**25 Dust protection vacuum diaphragm unit ov (4.040-815.0)**

---

Pos	Material #	Name	Qty.	Unit
1	5.062-199.0	Washer D 34	1.000	ST

---



### 33 Pedal battery

ET/VT (spare/wear parts)	Pos	Material #	Name	Qty.	Unit
X-X	1	7.306-230.0	Screw M8x25 -A4-70 (In6Rd)	1.000	ST
	2	4.040-709.0	Lever lifting reversing rolling mill	1.000	ST
	3	6.321-004.0	Star grip M5x10	1.000	ST
X-X	4	6.421-331.0	Vacuum diaphragm unit oval lift 45 mm	1.000	ST
X-X	5	7.311-010.0	Hexagon nut M16-8-A3E ISO 4032	2.000	ST
X-X	6	7.306-089.0	Screw M6x12 -8.8-R2R (In6Rd)	3.000	ST
X-X	7	7.305-104.0	Countersunk screw M8x25 -8.8-R3R ISO 10	2.000	ST
	9	7.303-273.0	Saucer-head screw M8x25 -St-P2R DIN 603	1.000	ST
	10	7.311-093.0	Hexagon nut M8 -8-R2R ISO 4032	1.000	ST
X-X	14	5.317-086.0	Bolt power brush	1.000	ST
	15	7.305-030.0	Countersunk screw M6x12 -8.8-R2R (In6Rd)	4.000	ST
	16	5.061-804.0	Sheet metal component bearing pedal KM90	2.000	ST
X-X	17	6.403-031.0	Plain bearing 20/28	2.000	ST
	18	5.321-701.0	Handhold	1.000	ST
	19	4.040-730.0	Sheet metal component pedal completely K	1.000	ST
	20	7.306-224.0	Screw M10x35-A2-70 DIN 7984	1.000	ST
	21	6.330-091.0	Extension spring	1.000	ST
	22	6.600-300.0	Tachograph sensor B	1.000	ST
X	23	7.306-443.0	Cylinder head screw M5x12-4.8-A2E ISO 1	2.000	ST
X-X	24	7.312-002.0	Washer 5-200HV-A3E ISO 7090	1.000	ST
X-X	25	4.040-815.0	Dust protection vacuum diaphragm unit ov	1.000	ST
X	26	7.312-278.0	Washer 5-200HV-A2E ISO7093-1	3.000	ST
X-X	27	7.313-002.0	Spring washer B 5-FSt-A3E DIN 127	2.000	ST
	28	5.095-982.0	Sheet metal component holder micro switc	1.000	ST
	29	6.635-560.0	Micro switch with roller lever IP 67	1.000	ST



### 33 Pedal battery

---

ET/VT (spare/wear parts)	Pos	Material #	Name	Qty.	Unit
	30	7.312-053.0	Washer 2,5-200HV-A3E ISO 7089	2.000	ST
	31	7.311-074.0	Hexagon nut M 2-8-A2E ISO 4032	2.000	ST
	32	7.306-045.0	Screw M2x20 -8.8-A2R (In6Rd)	2.000	ST
X-X	33	7.306-076.0	Screw M 5x12-ST- 8.8-A2R (IN6RD)	1.000	ST

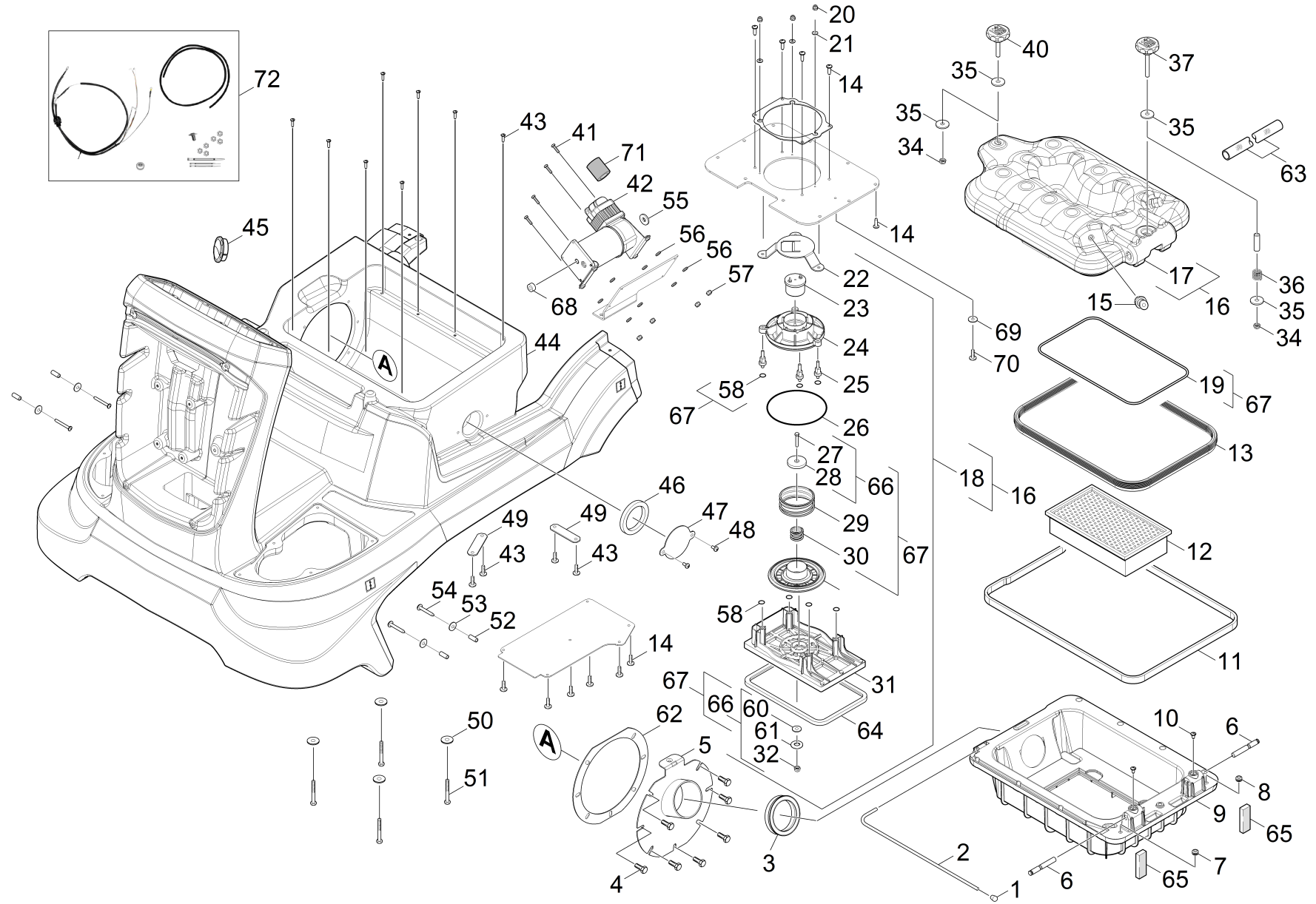
---

**25 Dust protection vacuum diaphragm unit ov (4.040-815.0)**

---

Pos	Material #	Name	Qty.	Unit
1	5.062-199.0	Washer D 34	1.000	ST

---



**40 Filter box**

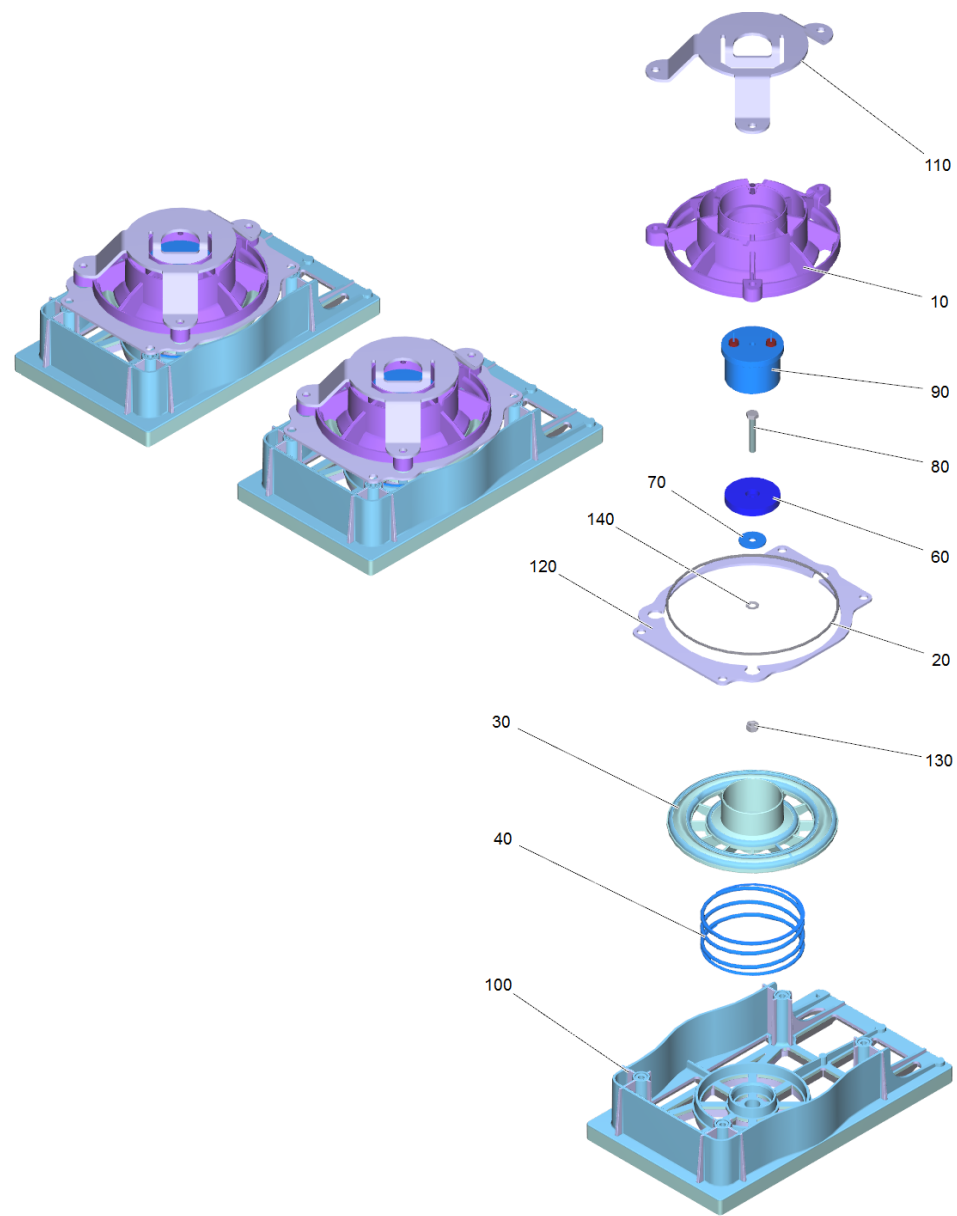
ET/VT (spare/wear parts)	Pos	Material #	Name	Qty.	Unit
	1	6.368-294.0	Protecting cap black 1/4" PVC	1.000	ST
	2	5.107-315.0	Bar box pressure	1.000	ST
X-X	3	6.365-374.0	Sealing profile	1.000	M
	5	4.040-879.0	Flange filter box complete	1.000	ST
	6	5.111-361.0	Bolt hinge	2.000	ST
	7	6.648-739.0	Rubber bushing	1.000	ST
	8	6.641-422.0	Wire protecting sleeve	1.000	ST
	9	5.069-363.0	Holder flat filter single	1.000	ST
	10	7.303-134.0	Screw 4x8 -10.9-R2R (K-In6Rd)	2.000	ST
	11	6.273-123.0	Sealing tape 16X6	1.000	M
X	12	6.907-352.0	Flat filter PES	1.000	ST
X	13	6.366-058.0	Sealing profile	1.000	M
X-X	14	7.303-112.0	Screw 6x20 -10.9-R2R (In6Rd)	14.000	ST
	15	6.512-011.0	Plug-in connection nipple G1/8"	1.000	ST
	16	4.058-457.0	Tank pressure complete 1-fach	1.000	ST
	17	5.033-861.0	Tank pressure KM 90/60 R Adv	1.000	ST
	18	4.582-021.0	Valve block complete	1.000	ST
	19	6.363-640.0	Cellular rubber seal string d=7mm	1.000	M
X-X	20	7.311-424.0	Hexagon nut M4 -8-A2E ISO 7040	3.000	ST
X	21	7.312-001.0	Washer 4 -200HV-A3E ISO 7089	3.000	ST
	22	5.095-538.0	Downholder magnet	1.000	ST
	23	6.653-017.0	Magnet dedusting filter 12 VDC	1.000	ST
X	24	5.044-838.0	Holder magnet	1.000	ST
	25	5.111-288.0	Distance pin short	3.000	ST
X-X	26	6.362-447.0	O-Ring seal 115,0 X 1,78-NBR 70	1.000	ST

#### 40 Filter box

ET/VT (spare/wear parts)	Pos	Material #	Name	Qty.	Unit
	27	7.304-157.0	Hexagonal head screw M5x30 -8.8-A2E ISO	1.000	ST
	28	5.005-381.0	Plate magnet	1.000	ST
	29	5.332-556.0	Spring soft	1.000	ST
	30	5.332-555.0	Spring hard	1.000	ST
	31	5.069-336.0	Holder spring	1.000	ST
	32	7.311-029.0	Hexagon nut M 5-A4-70 ISO 7042	1.000	ST
X-X	34	7.311-510.0	Hexagon nut M 8-8-A2E ISO 7040	2.000	ST
X-X	35	7.312-268.0	Washer 8 -A2 ISO 7094	4.000	ST
	36	5.332-222.0	Helical spring	1.000	ST
	37	6.321-256.0	Star grip grey M8x63	1.000	ST
	40	6.321-257.0	Star grip grey M8x43	1.000	ST
	41	6.304-122.0	Oval head screw M 5x25-A2-70	4.000	ST
	42	6.476-041.0	Air pump 12 V	1.000	ST
X-X	43	7.303-108.0	Screw 5x20 -10.9-R2R (In6Rd)	8.000	ST
	44	5.033-163.0	Front component filter box KM 90/60 R	1.000	ST
X-X	45	6.415-896.0	Air flap	1.000	ST
	46	5.363-150.0	Joint ring	1.000	ST
	47	5.095-501.0	Plate covering cap filter box	1.000	ST
X-X	48	7.306-089.0	Screw M6x12 -8.8-R2R (In6Rd)	2.000	ST
	49	5.009-426.0	Plate fixing cable	2.000	ST
X	50	7.312-277.0	Washer 8-200HV-A2E ISO7093-1	4.000	ST
	51	7.304-401.0	Hexagonal head screw M 8x60-8.8-A2E ISO	4.000	ST
	52	5.112-805.0	Spacer sleeve	4.000	ST
X-X	53	7.312-260.0	Washer 6 -100HV-A3E ISO 7094	4.000	ST
X-X	54	7.303-209.0	Screw 6x50 -10.9-R2R (K-In6Rd)	4.000	ST

**40 Filter box**

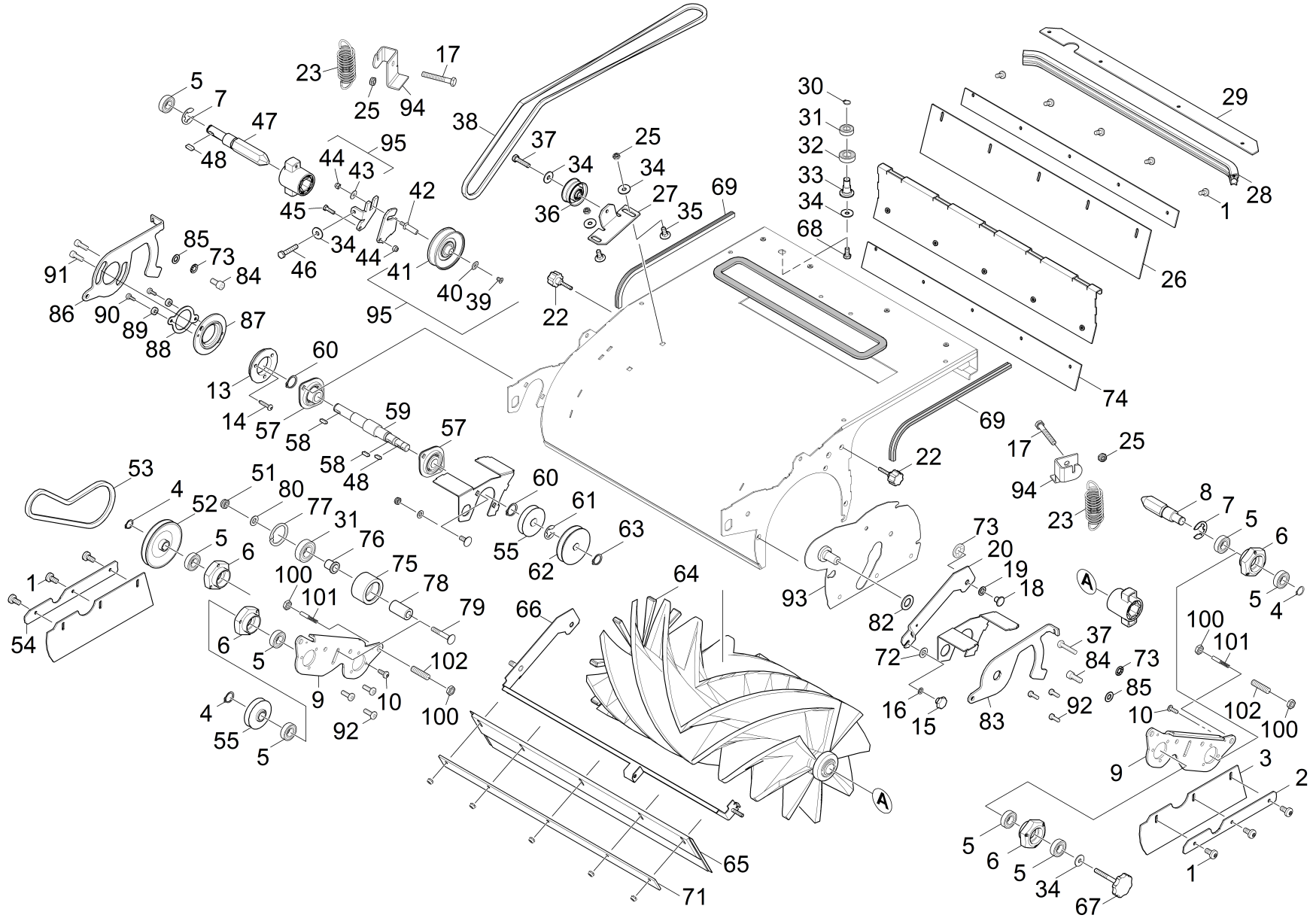
ET/VT (spare/wear parts)	Pos	Material #	Name	Qty.	Unit
	55	7.312-287.0	Washer 12-200HV-A2E ISO7093-1	1.000	ST
X	56	7.312-264.0	Washer 5-100HV-A3E ISO 7094	4.000	ST
X-X	57	7.311-431.0	Hexagon nut M 5-1.4305 ISO 10511	4.000	ST
X-X	58	6.362-703.0	O-Ring seal 6,0x1,5-NBR 70	7.000	ST
	60	6.312-147.0	Washer TOLDIN522-C-A2-5,3x20x1,5	1.000	ST
	61	7.333-008.0	Disc spring A10 -St DIN 2093	1.000	ST
	62	5.363-811.0	Seal flange filter box	1.000	ST
	63	6.391-299.0	Hose	1.000	M
X-X	64	6.368-089.0	Edge protection	1.000	M
	65	6.273-120.0	Adhesiv cloth tape Zellkautschuk	1.000	M
	66	4.582-022.0	Spare part valve	1.000	ST
X	67	4.641-054.0	Spare part set valve	1.000	ST
	68	6.346-036.0	Ring	1.000	ST
	69	5.115-794.0	Washer	1.000	ST
X-X	70	6.304-142.0	Oval head screw M 5X 8	1.000	ST
X	71	6.476-047.0	Filter air pump	1.000	ST
	72	2.643-480.0	Conversion kit cable TACT KM 90/60 R Adv	1.000	ST



**18 Valve block complete (4.582-021.0)**

ET/VT (spare/wear parts)	Pos	Material #	Name	Qty.	Unit
X	10	5.044-838.0	Holder magnet	1.000	ST
X-X	20	6.362-447.0	O-Ring seal 115,0 X 1,78-NBR 70	1.000	ST
	30	5.582-161.0	Valve disc	1.000	ST
	40	5.332-556.0	Spring soft	1.000	ST
	60	5.005-381.0	Plate magnet	1.000	ST
	70	6.312-147.0	Washer TOLDIN522-C-A2-5,3x20x1,5	1.000	ST
	80	7.304-157.0	Hexagonal head screw M5x30 -8.8-A2E ISO	1.000	ST
	90		Magnet dedusting filter 12 VDC	1.000	ST
	100	5.069-336.0	Holder spring	1.000	ST
	110	5.095-538.0	Downholder magnet	1.000	ST
	120	5.095-546.0	Sheet metal component holder-up O-Ring s	1.000	ST
	130	7.311-029.0	Hexagon nut M 5-A4-70 ISO 7042	1.000	ST
	140	7.333-008.0	Disc spring A10 -St DIN 2093	1.000	ST
	150	6.869-070.0	Metal bonding agent	1.000	ZST





## 50 Sweep roller chest

ET/VT (spare/wear parts)	Pos	Material #	Name	Qty.	Unit
X-X	1	7.306-089.0	Screw M6x12 -8.8-R2R (In6Rd)	14.000	ST
	2	5.009-373.0	Plate apron left	1.000	ST
X-X	3	5.394-833.0	Skirting side	2.000	ST
	4	7.343-006.0	Locking ring 17x1-St-ph DIN 471	3.000	ST
X-X	5	7.401-105.0	Ball bearing 6003-2RS Wälzl.St DIN 625	10.000	ST
X-X	6	5.122-189.0	Flange cast	4.000	ST
X	7	7.343-073.0	Locking ring 19 -FST-PHR DIN 6799	2.000	ST
	8	5.105-588.0	Shaft carrier left	1.000	ST
	9	5.061-430.0	Sheet metal component lever	2.000	ST
X	10	7.303-047.0	Screw M6x16 -St-R3R (In6Rd)	6.000	ST
	14	7.303-066.0	Screw M6x30 -St-R3R (In6Rd)	6.000	ST
X-X	15	6.321-238.0	Star grip	1.000	ST
X-X	16	7.313-002.0	Spring washer B 5-FSt-A3E DIN 127	1.000	ST
	17	7.304-031.0	Hexagonal head screw M8x55-8.8-A2E ISO	2.000	ST
X-X	18	5.316-320.0	Bolt	2.000	ST
X-X	19	7.312-074.0	Washer 10 -CuZn ISO 7092	2.000	ST
	20	5.061-427.0	Sheet metal component bulk waste flap le	1.000	ST
X-X	22	6.321-237.0	Star grip	2.000	ST
X	23	6.630-738.0	Extension spring Z-162FX	2.000	ST
X-X	24	7.311-004.0	Hexagon nut M8 -8-A3E ISO 4032	4.000	ST
X-X	25	7.311-427.0	Hexagon nut M8 -04-A2E ISO 10511	10.000	ST
X-X	26	5.394-834.0	Rear skirting	1.000	ST
	27	5.061-428.0	Sheet metal component deflection pulley	1.000	ST
X-X	28	6.365-375.0	Sealing profile	1.000	M
	29	5.009-610.0	Plate blank holder seal	1.000	ST

## 50 Sweep roller chest

ET/VT (spare/wear parts)	Pos	Material #	Name	Qty.	Unit
X-X	30	7.343-003.0	Locking ring 12x1-Rf-St DIN 471	1.000	ST
X-X	31	6.401-363.0	Ball bearing	2.000	ST
X-X	32	7.401-115.0	Ball bearing 6002-2RS -WAE LZLAGST DIN 62	1.000	ST
	33	5.317-210.0	Bolt	1.000	ST
X	34	7.312-277.0	Washer 8-200HV-A2E ISO7093-1	7.000	ST
	35	7.303-230.0	Saucer-head screw M8x20 -8.8-A2E DIN603	1.000	ST
X-X	36	6.348-276.0	Deflection pulley	1.000	ST
X-X	37	7.304-406.0	Hexagonal head screw M 8x35-8.8-A2E IS	1.000	ST
X-X	38	6.348-449.0	V-Belt XPZ LW1500	1.000	ST
	39	7.305-030.0	Countersunk screw M6x12 -8.8-R2R (In6Rd	1.000	ST
X-X	40	5.115-361.0	Washer	1.000	ST
X-X	41	6.348-297.0	Deflection pulley	1.000	ST
X-X	42	5.317-229.0	Bolt bearing deflection pulley	1.000	ST
X-X	43	7.312-276.0	Washer 6 -200HV-A2E ISO7093-1	1.000	ST
X-X	44	7.311-512.0	Hexagon nut M 6-8-A2E ISO 7040	2.000	ST
X-X	45	7.304-536.0	Hexagonal head screw M 6x20-A4-70 ISO 4	1.000	ST
X-X	46	7.304-407.0	Hexagonal head screw M 8x45-8.8-A2E ISO	1.000	ST
	47	5.105-587.0	Shaft carrier right	1.000	ST
X-X	48	7.318-065.0	Parallel key 5x5x14-C45R DIN 6885	2.000	ST
	49	5.111-062.0	Sleeve spacer belt stretcher	1.000	ST
	50	7.303-165.0	Saucer-head screw M8x55-ST-A0P DIN 603	1.000	ST
X-X	51	7.311-510.0	Hexagon nut M 8-8-A2E ISO 7040	1.000	ST
X-X	52	5.625-380.0	Belt pulley	1.000	ST
X-X	53	6.348-448.0	V-Belt X10 LW 622	1.000	ST
X	54	5.009-372.0	Plate apron right	1.000	ST

## 50 Sweep roller chest

ET/VT (spare/wear parts)	Pos	Material #	Name	Qty.	Unit
	55	5.625-489.0	Belt pulley	2.000	ST
X-X	57	6.401-231.0	Flanged bearing	2.000	ST
X-X	58	7.318-002.0	Parallel key 5x5x16 -C45R DIN 6885-1	2.000	ST
	59	5.105-664.0	Shaft transmission	1.000	ST
X-X	60	7.343-040.0	Locking ring 20x1,2 -St-ph DIN 471	2.000	ST
X-X	61	7.343-304.0	Lock washer 15 -A2 DIN 6799	1.000	ST
	62	5.625-477.0	Belt pulley	1.000	ST
X-X	63	7.343-004.0	Locking ring 15x1-FST-PHR DIN 471	1.000	ST
X-X	64	4.762-430.0	Reversing rolling mill complete KM 90 /6	1.000	ST
X-X	65	5.394-832.0	Skirting front	1.000	ST
	66	4.040-701.0	Sheet metal component bulk waste flap kp	1.000	ST
X-X	67	6.321-236.0	Star grip	1.000	ST
	68	7.304-395.0	Hexagonal head screw M8x16-8.8-A2E ISO	1.000	ST
	69	6.365-371.0	Profile gasket	1.000	M
	70	5.061-430.0	Sheet metal component lever	1.000	ST
	71	5.009-573.0	Plate holder skirting	1.000	ST
X-X	72	7.312-260.0	Washer 6 -100HV-A3E ISO 7094	1.000	ST
X	73	6.343-149.0	Quick-fastener	2.000	ST
X-X	74	5.394-843.0	Skirting sweep roller chest rear	1.000	ST
X-X	75	5.317-126.0	Tension roller gear BR 40/25	1.000	ST
X-X	76	5.110-995.0	Spacer sleeve roller	1.000	ST
X	77	7.343-151.0	Locking ring 28x1,2-FST-RF DIN 472	1.000	ST
	78	5.129-224.0	Sleeve	1.000	ST
X	79	7.303-009.0	Saucer-head screw M8x50-8.8-A2E DIN 603	1.000	ST
X-X	80	7.312-017.0	Washer 8-A2 ISO 7089	1.000	ST

**50 Sweep roller chest**

ET/VT (spare/wear parts)	Pos	Material #	Name	Qty.	Unit
	82	5.116-420.0	Spacer washer 30x17.5x2.5	1.000	ST
	83	5.062-208.0	Sheet metal component left	1.000	ST
X-X	84	7.306-061.0	Cylinder head screw M10X 20-8.8-A2R ISO	2.000	ST
X-X	85	7.312-005.0	Washer 10-200HV-A3E ISO 7090	2.000	ST
	86	5.062-209.0	Sheet metal component right	1.000	ST
	87	5.114-563.0	Guide ring	1.000	ST
	88	5.094-412.0	Sheet metal component cover	1.000	ST
	89	5.114-569.0	Sleeve	2.000	ST
X-X	90	6.304-121.0	Oval head screw M 5X12	2.000	ST
X	91	7.306-042.0	Cylinder head screw M8x25 -8.8-A2E ISO4	2.000	ST
X	92	7.303-047.0	Screw M6x16 -St-R3R (In6Rd)	6.000	ST
	93	4.040-824.0	Sheet metal component sweep roller chang	1.000	ST
	94	5.062-446.0	Sheet metal component hang in spring	1.000	ST

**64 Reversing rolling mill complete KM 90 /6 (4.762-430.0)**

---

ET/VT (spare/wear parts)	Pos	Material #	Name	Qty.	Unit
X-X	30	7.303-107.0	Screw 5x16 -10.9-P2R (K-In6Rd)	4.000	ST

---

**66 Sheet metal component bulk waste flap kp (4.040-701.0)**

---

ET/VT (spare/wear parts)	Pos	Material #	Name	Qty.	Unit
X-X	20	7.305-091.0	Countersunk screw M5x25 -A2-70 (In6Rd)	5.000	ST
X	30	7.305-050.0	Countersunk screw M5x20 -A2-70-s (In6Rd)	1.000	ST

**93 Sheet metal component sweep roller chang (4.040-824.0)**

---

ET/VT (spare/wear parts)	Pos	Material #	Name	Qty.	Unit
X-X	20	7.304-406.0	Hexagonal head screw M 8x35-8.8-A2E IS	1.000	ST

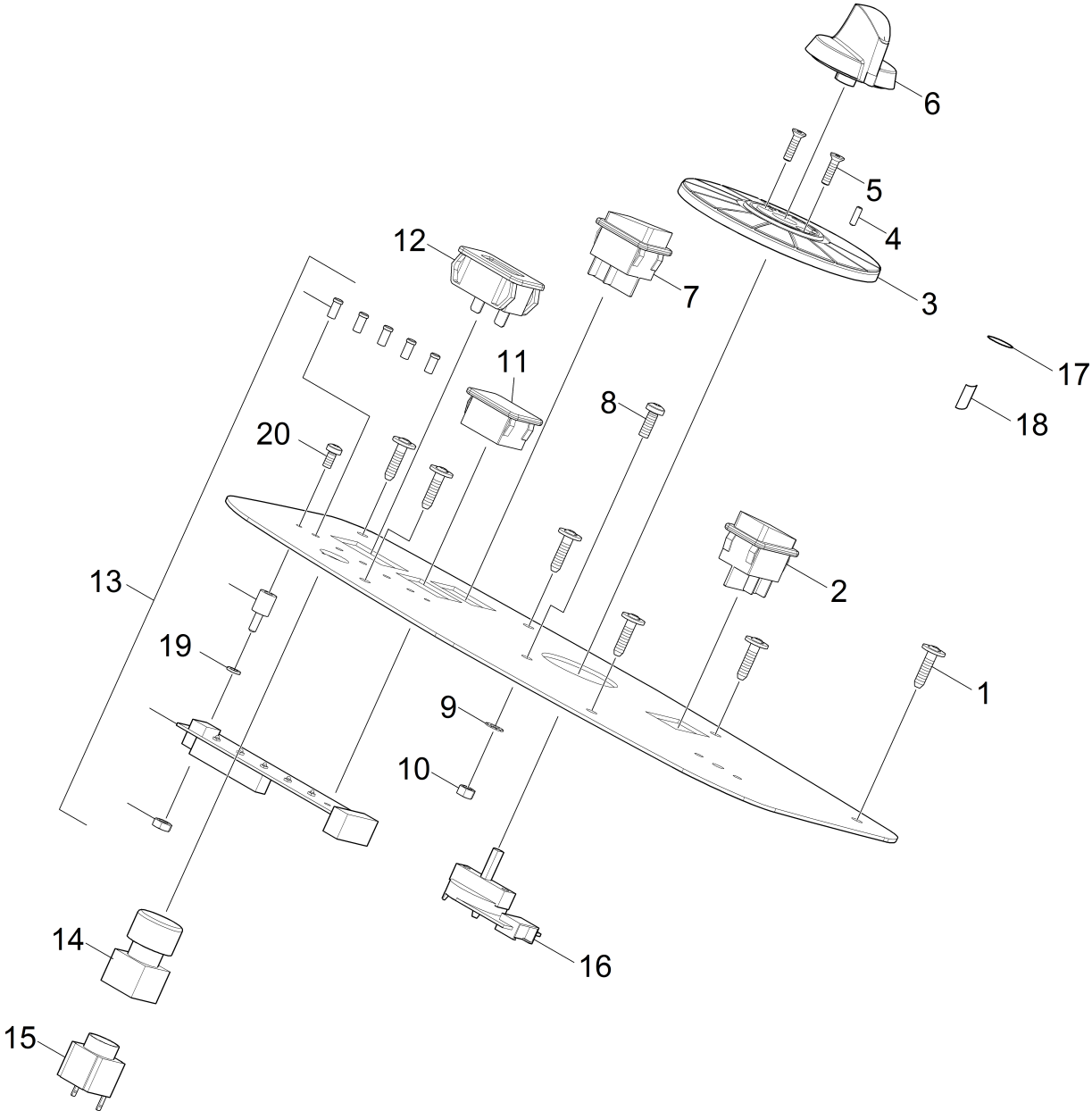
---



## 60 Operating unit

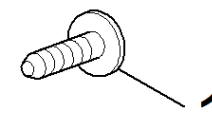
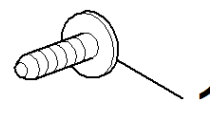
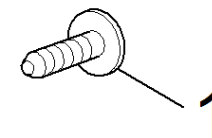
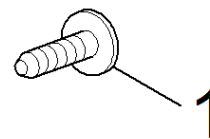
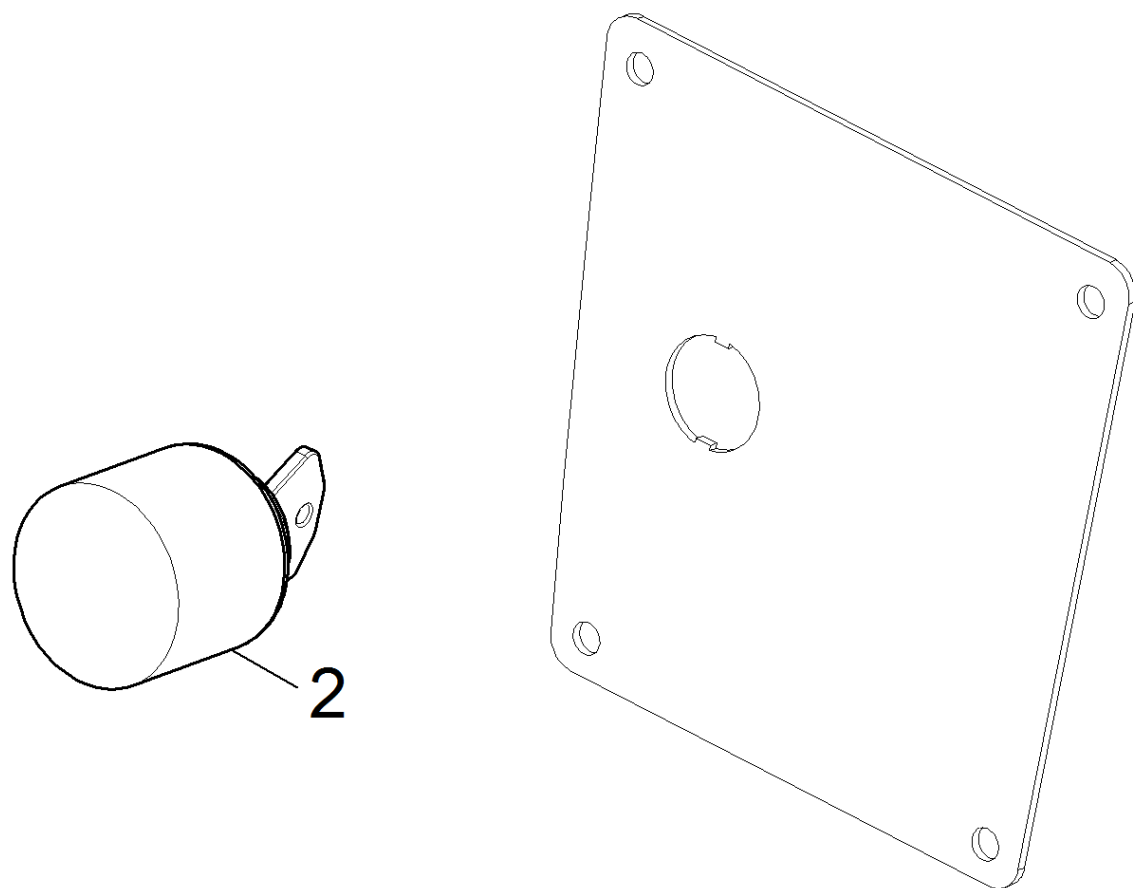
---

Pos	Name	Qty.	Unit
61	Control panel battery	1.000	ST
62	Operating unit key switch	1.000	ST



## 61 Control panel battery

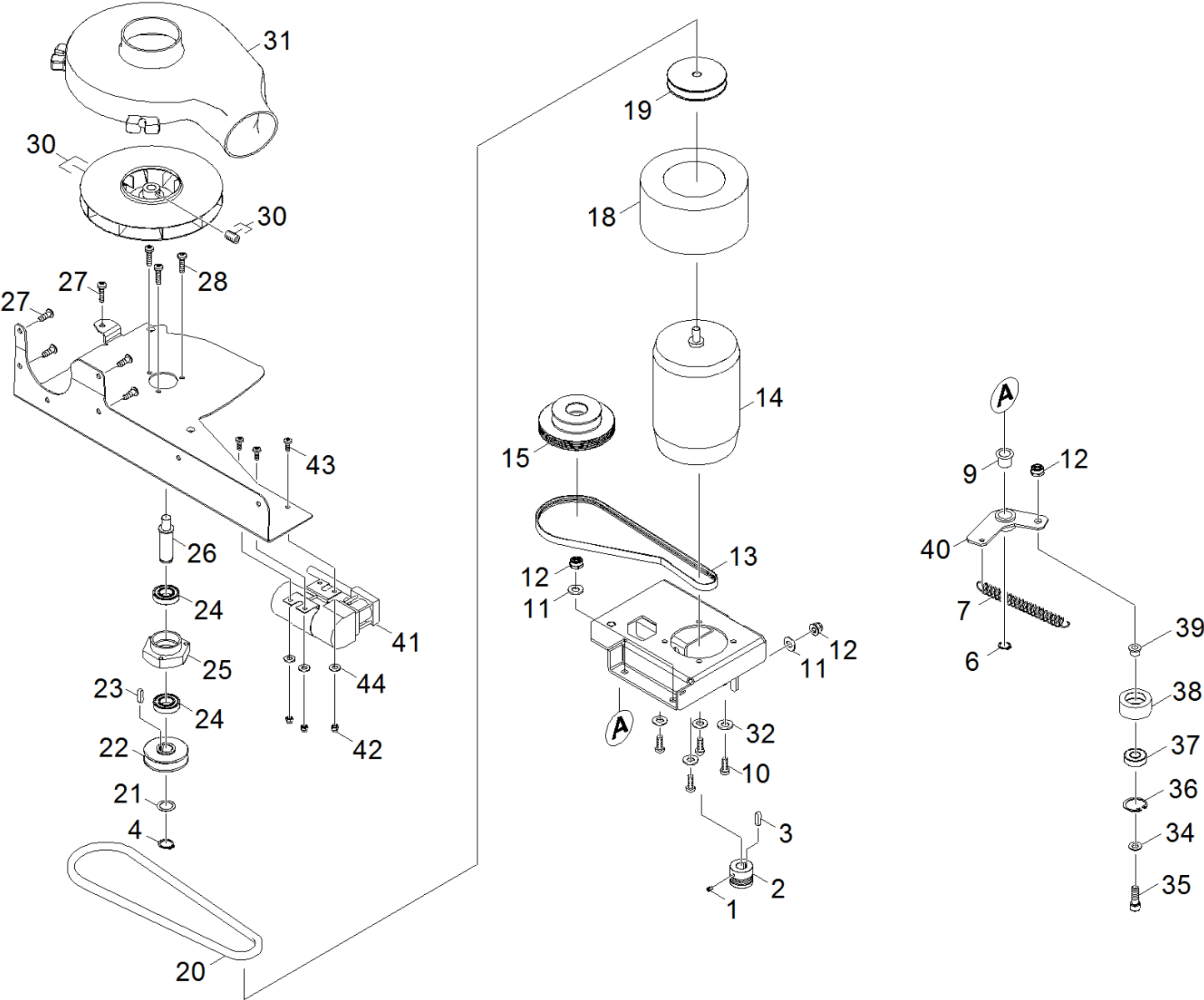
ET/VT (spare/wear parts)	Pos	Material #	Name	Qty.	Unit
	1	6.303-125.0	Screw 5x20-Sonder In6Rd+Spitze	6.000	ST
	2	6.632-367.0	Switch 2-polig Fahrtrichtung	1.000	ST
	3	5.033-409.0	Moulded part symbol washer RRB 360	1.000	ST
	4	7.307-025.0	Threaded pin M3x10 St-45H ISO 4029	1.000	ST
	5	7.305-019.0	Countersunk screw M4x16 -8.8-R2R (In6Rd)	2.000	ST
X-X	6	5.321-738.0	Handhold operational concept	1.000	ST
	7		Pushbutton two-pole hooter	1.000	ST
	8	7.306-217.0	Screw M5x14 -8.8-R2R (In6Rd)	1.000	ST
	9	7.312-231.0	Serrated lock washer A5,3 -FSt-A3E DIN6	1.000	ST
X-X	10	7.311-002.0	Hexagon nut M5 -8-A2E ISO 4032	1.000	ST
X-X	11	6.631-736.0	Blind plug	1.000	ST
X	12	6.681-108.0	Hour counter 5-80V	1.000	ST
	13	2.885-057.0	Set control panel circuit board	1.000	ST
X-X	14	6.600-113.0	Pushbutton emergency stop	1.000	ST
X-X	15	6.600-114.0	Switch	1.000	ST
X-X	16	2.630-001.0	Switch program selection	1.000	ST
X	17	6.362-410.0	O-Ring seal 40,4x1,5	1.000	ST
X-X	18	6.313-014.0	Spring element	1.000	ST
	19	7.312-015.0	Washer 3 -Kunststoff ISO 7089	1.000	ST



## 62 Operating unit key switch

---

ET/VT (spare/wear parts)	Pos	Material #	Name	Qty.	Unit
	1	6.303-125.0	Screw 5x20-Sonder In6Rd+Spitze	4.000	ST
X-X	2	6.630-106.0	Key switch	1.000	ST



## 70 Transmission battery

ET/VT (spare/wear parts)	Pos	Material #	Name	Qty.	Unit
X-X	1	7.307-304.0	Threaded pin M4x6 -A2-21H ISO 4028	1.000	ST
X	2	5.625-485.0	Belt pulley transmission motor Bp	1.000	ST
X-X	3	7.318-070.0	Parallel key 5x5x20-C45R DIN 6885-1	1.000	ST
	4	7.343-006.0	Locking ring 17x1-St-ph DIN 471	1.000	ST
X-X	6	7.343-004.0	Locking ring 15x1-FST-PHR DIN 471	1.000	ST
	7	6.330-173.0	Extension spring	1.000	ST
X-X	9	6.403-028.0	Plain bearing	1.000	ST
X-X	10	7.304-521.0	Hexagonal head screw M 6x16-A4-70 ISO 4	4.000	ST
X-X	11	7.312-004.0	Washer 8 -200HV-A3E ISO 7090	4.000	ST
X-X	12	7.311-510.0	Hexagon nut M 8-8-A2E ISO 7040	4.000	ST
X-X	13	6.348-452.0	Ribbed band 4PJ L=660mm	1.000	ST
X-X	14	6.613-288.0	Direct current motor	1.000	ST
	15	5.625-486.0	Belt pulley sweep roller chest Bp	1.000	ST
X-X	16	7.311-421.0	Hexagon nut M 5-04-A2E ISO 10511	1.000	ST
X-X	17	7.306-079.0	Screw M5x25 -8.8-R2R (In6Rd)	1.000	ST
X	18	4.570-010.0	Ring complete	1.000	ST
	19	5.625-487.0	Belt pulley transmission blower Bp	1.000	ST
X-X	20	6.348-453.0	Round belt d=8 L=600mm	1.000	ST
X-X	21	7.343-079.0	Shim ring 17x24x0,5 -A2 DIN 988	1.000	ST
	22	5.625-488.0	Belt pulley blower wheel Bp	1.000	ST
X-X	23	7.318-084.0	Parallel key 5x5x12 -C45R DIN 6885-1	1.000	ST
X-X	24	7.401-105.0	Ball bearing 6003-2RS Wälzl.St DIN 625	2.000	ST
X-X	25	5.122-189.0	Flange cast	1.000	ST
	26	5.105-622.0	Shaft holder blower Bp	1.000	ST
X-X	27	7.303-112.0	Screw 6x20 -10.9-R2R (In6Rd)	7.000	ST

## 70 Transmission battery

ET/VT (spare/wear parts)	Pos	Material #	Name	Qty.	Unit
X	28	7.303-047.0	Screw M6x16 -St-R3R (In6Rd)	3.000	ST
X	30	6.484-330.0	Blower wheel	1.000	ST
	31	5.033-321.0	Housing cover blower KM90/60R	1.000	ST
X-X	32	7.312-276.0	Washer 6 -200HV-A2E ISO7093-1	4.000	ST
X-X	34	7.312-017.0	Washer 8-A2 ISO 7089	1.000	ST
X	35	7.306-042.0	Cylinder head screw M8x25 -8.8-A2E ISO4	1.000	ST
X	36	7.343-151.0	Locking ring 28x1,2-FST-RF DIN 472	1.000	ST
	37	7.401-111.0	Ball bearing 6001-2RS -WAE LZLAGST DIN 6	1.000	ST
	38	5.317-672.0	Tension roller	1.000	ST
X-X	39	5.110-995.0	Spacer sleeve roller	1.000	ST
	40	4.040-875.0	Cocking lever complete	1.000	ST
X-X	41	6.474-075.0	Vacuum pump 24V	1.000	ST
X-X	42	7.311-512.0	Hexagon nut M 6-8-A2E ISO 7040	3.000	ST
	43	7.306-090.0	Screw M6x16 -8.8-R3R (In6Rd)	3.000	ST
	44	7.312-291.0	Washer 6-200HV-A2R ISO7093-1	3.000	ST

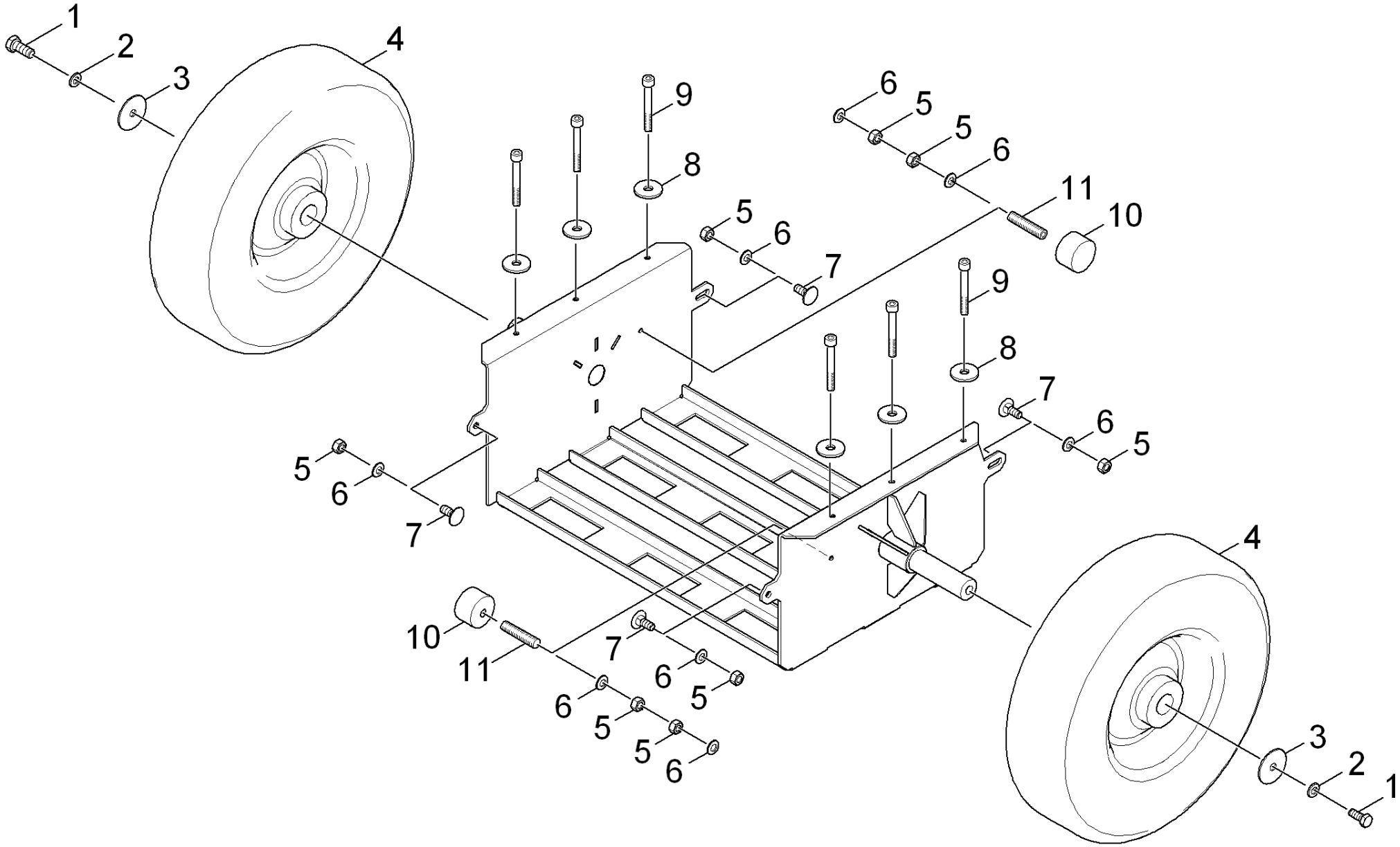


**14 Direct current motor (6.613-288.0)**

---

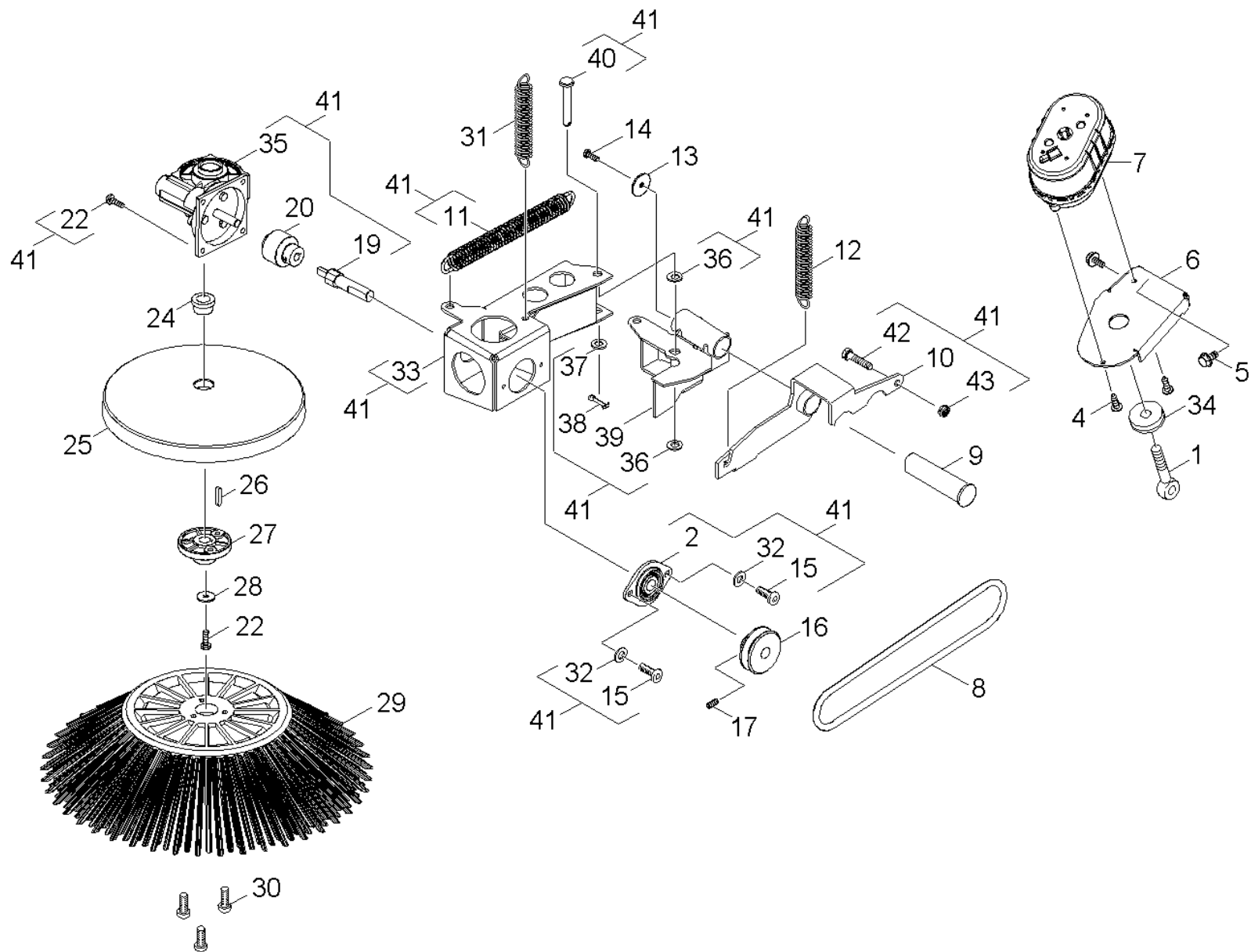
ET/VT (spare/wear parts)	Pos	Material #	Name	Qty.	Unit
X-X	999	6.610-239.0	Carbon brush set ATAS	1.000	ST

---



**80 Battery box completely**

ET/VT (spare/wear parts)	Pos	Material #	Name	Qty.	Unit
X-X	1	7.304-801.0	Hexagonal head screw M10x25-A4-70 ISO 4	2.000	ST
	2	5.116-060.0	Washer	2.000	ST
X-X	3	7.312-066.0	Washer 10 -A2 ISO 7090	2.000	ST
	4	6.435-840.0	Wheel complete 4.00-8, 6PR	2.000	ST
X-X	4	6.435-698.0	Wheel solid rubber non-chalking	2.000	ST
X-X	5	7.311-004.0	Hexagon nut M8 -8-A3E ISO 4032	4.000	ST
X-X	6	7.312-004.0	Washer 8 -200HV-A3E ISO 7090	4.000	ST
X-X	7	7.303-204.0	Saucer-head screw M8x20 -St-A2R DIN 603	4.000	ST
	8	7.312-261.0	Washer 8 -100HV-A3E ISO 7094	7.000	ST
	9	7.306-151.0	Cylinder head screw M8x65 -8.8-A2E ISO4	7.000	ST
	10	6.339-065.0	Rubber buffer	2.000	ST
X-X	11	7.307-015.0	Threaded pin M8x50-St-45H-A2E ISO 4026	2.000	ST



**90 Side broom right**

ET/VT (spare/wear parts)	Pos	Material #	Name	Qty.	Unit
	1	7.303-262.0	Eye screw LBM 8x30-1.4571 DIN 444	1.000	ST
X-X	2	6.401-242.0	Flanged bearing	1.000	ST
X-X	4	7.303-107.0	Screw 5x16 -10.9-P2R (K-In6Rd)	2.000	ST
	5	6.303-031.0	Screw M8x16-ST-A2R DIN 7500-1	2.000	ST
	6	5.061-410.0	Sheet metal component vacuum diaphragm u	1.000	ST
X-X	7	6.421-331.0	Vacuum diaphragm unit oval lift 45 mm	1.000	ST
X-X	8	6.348-409.0	Round belt	1.000	ST
	9	5.105-591.0	Shaft bearing side brush	1.000	ST
	10	4.040-866.0	Lifting right complete	1.000	ST
X-X	11	6.330-456.0	Extension spring RZ-177I m=5	1.000	ST
X-X	12	6.330-200.0	Extension spring	1.000	ST
	13	5.115-150.0	Washer	1.000	ST
X-X	14	7.306-031.0	Screw M 6x16-A2-70 DIN 7984	1.000	ST
	15	7.306-092.0	Screw M6x20-ST- 8.8-R3R (IN6RD)	2.000	ST
	16	5.625-360.0	Belt pulley	1.000	ST
X	17	7.307-352.0	Threaded pin M 6X 14-45H ISO 4029	1.000	ST
X-X	19	5.105-590.0	Shaft transmission side brush	1.000	ST
X-X	20	6.465-020.0	Coupler	1.000	ST
	22	7.306-092.0	Screw M6x20-ST- 8.8-R3R (IN6RD)	5.000	ST
X	24	5.110-703.0	Sleeve	1.000	ST
X-X	25	5.064-252.0	Rejecting plate	1.000	ST
X-X	26	7.318-079.0	Parallel key A 5x5x25-C45R DIN 6885	1.000	ST
X-X	27	5.120-305.0	Hub	1.000	ST
X-X	28	7.312-260.0	Washer 6 -100HV-A3E ISO 7094	1.000	ST
X-X	29	6.906-132.0	Side broom standard	1.000	ST

**90 Side broom right**

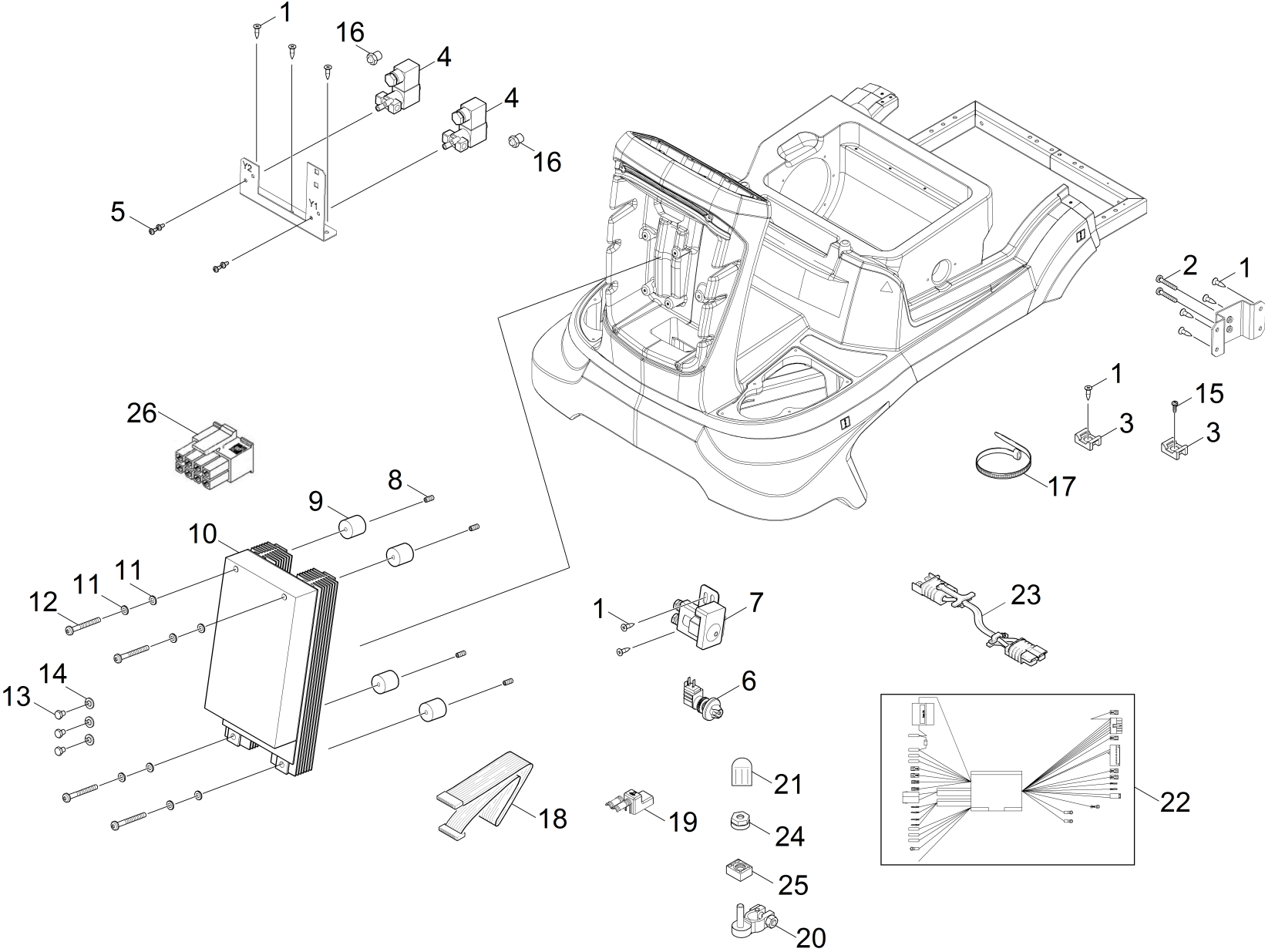
ET/VT (spare/wear parts)	Pos	Material #	Name	Qty.	Unit
X-X	29	6.905-625.0	Side broom hard	1.000	ST
X-X	29	6.905-626.0	Side broom soft	1.000	ST
X-X	30	7.306-500.0	Cylinder head screw M6x12-8.8-A2E DIN 6	3.000	ST
X-X	31	6.330-079.0	Extension spring	1.000	ST
X-X	32	7.312-276.0	Washer 6 -200HV-A2E ISO7093-1	2.000	ST
X-X	33	4.040-867.0	Arm side broom right	1.000	ST
X-X	34	4.040-815.0	Dust protection vacuum diaphragm unit ov	1.000	ST
X-X	35	6.454-079.0	Worm gearing	1.000	ST
X	36	7.312-062.0	Washer 10-Kunststoff ISO7089	2.000	ST
X-X	37	7.312-005.0	Washer 10-200HV-A3E ISO 7090	1.000	ST
X-X	38	7.316-341.0	Cotter 3,2x16-St-A2E ISO 1234	1.000	ST
	39	4.040-865.0	Suspension side broom complete	1.000	ST
X	40	7.316-225.0	Bolt B10,0x65-ST-A2E ISO 2341	1.000	ST
X-X	41	2.642-695.0	Conversion kit side broom right KM 90/60	1.000	ST
X-X	42	7.304-406.0	Hexagonal head screw M 8x35-8.8-A2E IS	1.000	ST
X-X	43	7.311-427.0	Hexagon nut M8 -04-A2E ISO 10511	1.000	ST

**34 Dust protection vacuum diaphragm unit ov (4.040-815.0)**

---

Pos	Material #	Name	Qty.	Unit
1	5.062-199.0	Washer D 34	1.000	ST

---





**100 Electronics battery**

ET/VT (spare/wear parts)	Pos	Material #	Name	Qty.	Unit
	1	6.303-109.0	Screw SPAX 5x20-ST-A2E	12.000	ST
X-X	2	7.306-184.0	Screw M5x30 -A2-70 (In6Rd)	2.000	ST
	3	6.648-602.0	Holder	4.000	ST
X-X	4	6.472-979.0	Solenoid valve	2.000	ST
	5	7.303-030.0	Screw M4x8 -St-P2R (In6Rd)	4.000	ST
X-X	6	6.635-566.0	Pressure switch	1.000	ST
X-X	7	6.633-389.0	Relay	1.000	ST
X	8	7.307-352.0	Threaded pin M 6X 14-45H ISO 4029	4.000	ST
	9	6.339-208.0	Rubber buffer	4.000	ST
X-X	10	6.686-543.0	Control system KM 90/60 R Adv Bp/Pack	1.000	ST
X-X	11	7.312-003.0	Washer 6 -200HV-A3E ISO 7090	8.000	ST
X-X	12	7.306-201.0	Screw M 6x55-A2-70 (IN6RD)	4.000	ST
	13	7.304-540.0	Hexagonal head screw M 6x8-A4-70 ISO 40	3.000	ST
X-X	14	7.313-018.0	Spring washer B 6-1.4310 DIN 127	3.000	ST
X-X	15	7.303-037.0	Screw M5x10 -St-P2R (In6Rd)	3.000	ST
X-X	16	6.761-336.0	Filter pneumatic	2.000	ST
X-X	17	6.647-081.0	Cable tape	5.000	ST
X	18	6.768-360.0	Ribbon cable 34 pol. 300mm	1.000	ST
X	19	5.394-852.0	Covering cap batterie terminal	1.000	ST
X-X	20	6.643-948.0	Pole binder single	1.000	ST
	21	6.368-294.0	Protecting cap black 1/4" PVC	1.000	ST
	22	6.650-287.0	Cable harness KM 90/60 R Bp Adv	1.000	ST
X-X	23	6.649-303.0	Supply cable adapter BR/BD 45-55/40	1.000	ST
X-X	24	6.644-348.0	Nut with flange	1.000	ST
X-X	25	6.644-360.0	Fuse 125A	1.000	ST

**100 Electronics battery**

---

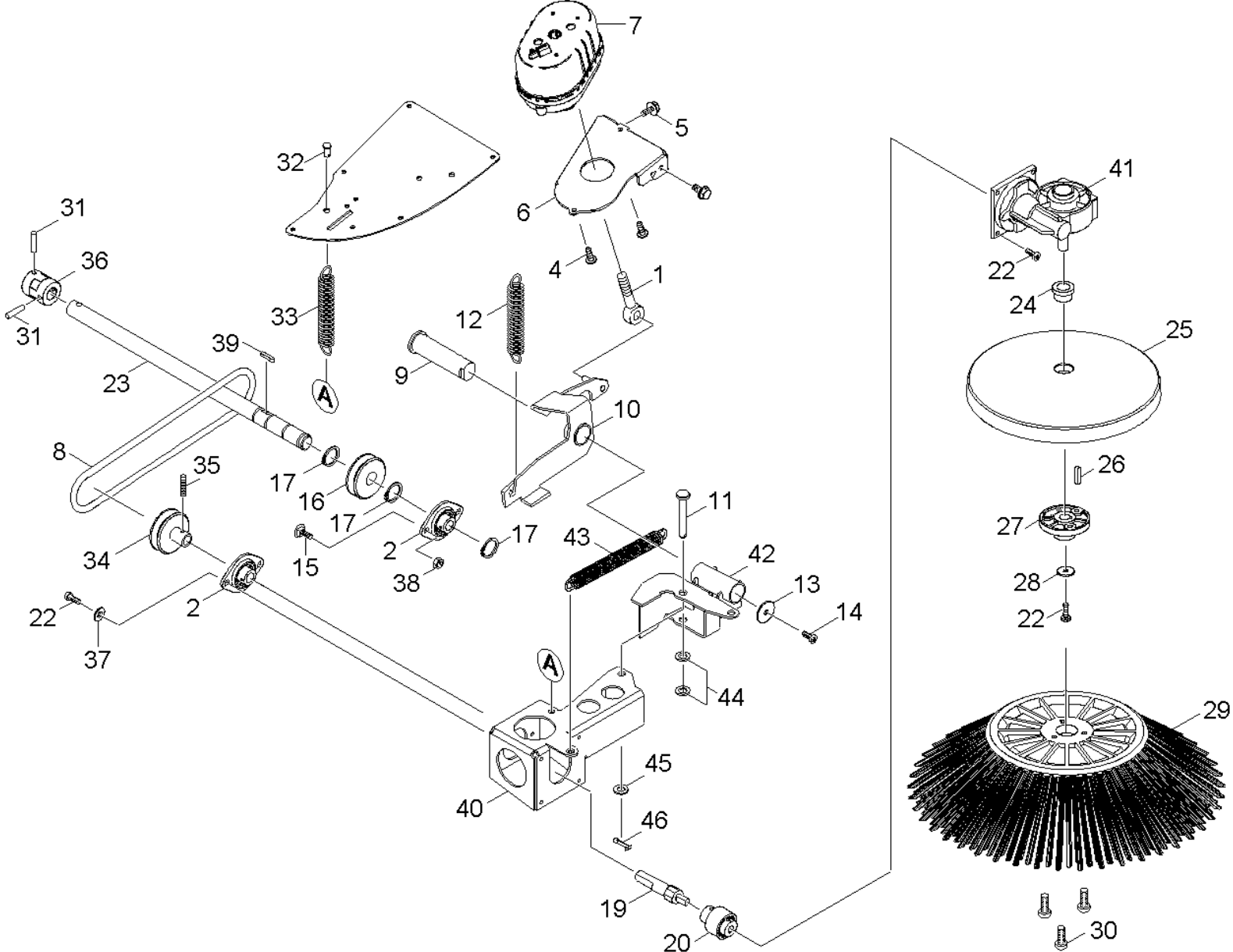
ET/VT (spare/wear parts)	Pos	Material #	Name	Qty.	Unit
	26	6.650-416.0	Adapter control system single TACT	1.000	ST

## 110 Accessories

---

Pos	Name	Qty.	Unit
111	ABS side broom left	1.000	ST
112	Add-on kit revolving signal light	1.000	ST
113	Add-on kit filter box double APFC	1.000	ST
114	Add-on kit carpet sweep	1.000	ST
115	Add-on kit tire equipment solid rubber	1.000	ST

---



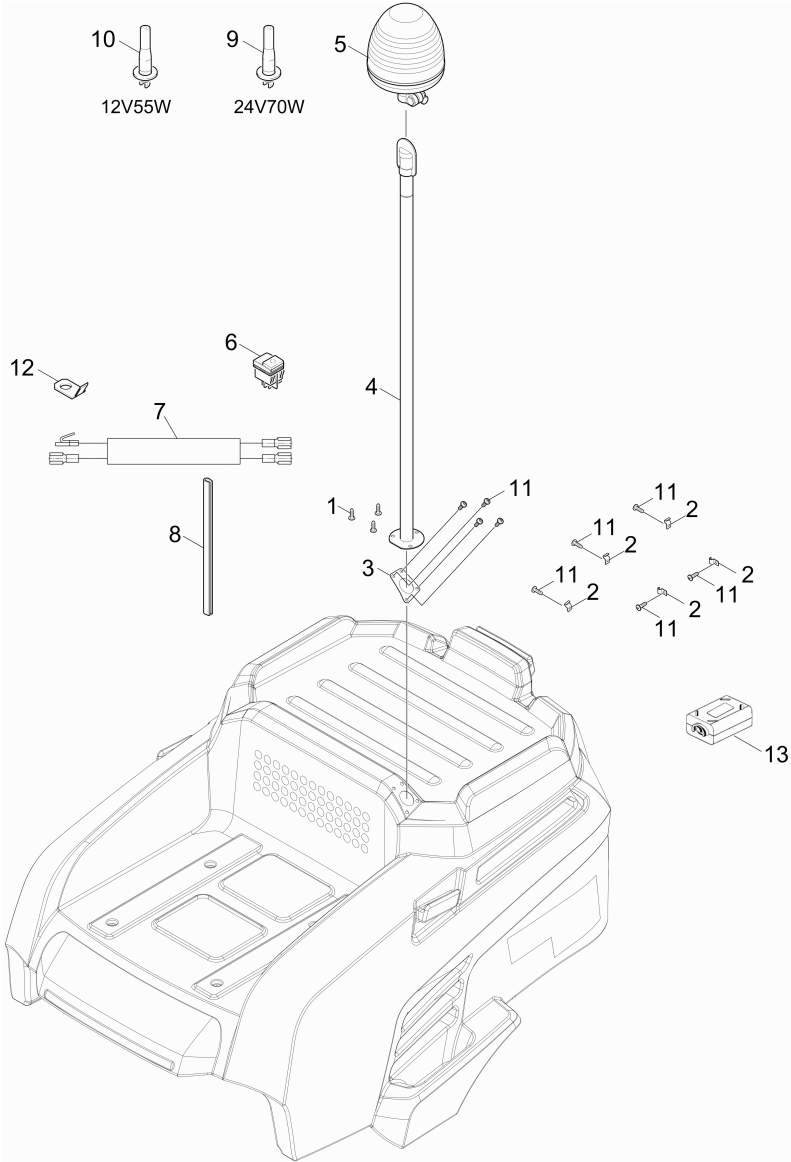
**111 ABS side broom left**

ET/VT (spare/wear parts)	Pos	Material #	Name	Qty.	Unit	var. information
	1	7.303-262.0	Eye screw LBM 8x30-1.4571 DIN 444	1.000	ST	
X-X	2	6.401-242.0	Flanged bearing	2.000	ST	
X-X	3	7.311-004.0	Hexagon nut M8 -8-A3E ISO 4032	1.000	ST	
X-X	4	7.303-107.0	Screw 5x16 -10.9-P2R (K-In6Rd)	2.000	ST	
	5	6.303-031.0	Screw M8x16-ST-A2R DIN 7500-1	2.000	ST	
	6	5.061-444.0	Sheet metal component holder UDD links	1.000	ST	
X-X	7	6.421-331.0	Vacuum diaphragm unit oval lift 45 mm	1.000	ST	
X-X	8	6.348-409.0	Round belt	1.000	ST	
	9	5.105-591.0	Shaft bearing side brush	1.000	ST	
	10	4.040-869.0	Lifting left complete	1.000	ST	
X	11	7.316-225.0	Bolt B10,0x65-ST-A2E ISO 2341	1.000	ST	
X-X	12	6.330-200.0	Extension spring	1.000	ST	
	13	5.115-150.0	Washer	1.000	ST	
X-X	14	7.306-031.0	Screw M 6x16-A2-70 DIN 7984	1.000	ST	
X-X	15	7.303-139.0	Saucer-head screw M6x20 -A2 DIN 603	2.000	ST	
	16	5.625-477.0	Belt pulley	1.000	ST	
X-X	17	7.343-004.0	Locking ring 15x1-FST-PHR DIN 471	4.000	ST	
X-X	19	5.105-590.0	Shaft transmission side brush	1.000	ST	
X-X	20	6.465-020.0	Coupler	1.000	ST	
	22	7.306-092.0	Screw M6x20-ST- 8.8-R3R (IN6RD)	7.000	ST	
	23	5.105-618.0	Shaft transmission left SB	1.000	ST	
X	24	5.110-703.0	Sleeve	1.000	ST	
X-X	25	5.064-252.0	Rejecting plate	1.000	ST	
X-X	26	7.318-079.0	Parallel key A 5x5x25-C45R DIN 6885	1.000	ST	
X-X	27	5.120-305.0	Hub	1.000	ST	

**111 ABS side broom left**

ET/VT (spare/wear parts)	Pos	Material #	Name	Qty.	Unit	var. information
X-X	28	7.312-260.0	Washer 6 -100HV-A3E ISO 7094	1.000	ST	
X-X	29	6.905-626.0	Side broom soft	1.000	ST	
X-X	29	6.906-132.0	Side broom standard	1.000	ST	
X-X	30	7.306-500.0	Cylinder head screw M6x12-8.8-A2E DIN 6	3.000	ST	
X-X	31	7.314-945.0	Spring pin 5,0x28-St ISO 8752	1.000	ST	VERSION 2 (l = 28mm)
X-X	31	6.491-557.0	Spring pin	2.000	ST	VERSION 1 (l = 25,4mm)
X-X	32	5.317-086.0	Bolt power brush	1.000	ST	
X-X	33	6.330-079.0	Extension spring	1.000	ST	
	34	5.625-360.0	Belt pulley	1.000	ST	
X	35	7.307-352.0	Threaded pin M 6X 14-45H ISO 4029	1.000	ST	
X-X	36	6.465-027.0	Coupler	1.000	ST	
X-X	37	7.312-276.0	Washer 6 -200HV-A2E ISO7093-1	2.000	ST	
X-X	38	7.311-425.0	Hexagon nut M6 -04-A2E ISO 10511	2.000	ST	
X-X	39	7.318-065.0	Parallel key 5x5x14-C45R DIN 6885	1.000	ST	
X	40	4.040-870.0	Arm side brush left	1.000	ST	
	41	6.454-036.0	Worm gearing	1.000	ST	
	42	4.040-868.0	Suspension side brush left	1.000	ST	
X-X	43	6.330-456.0	Extension spring RZ-1771 m=5	1.000	ST	
X	44	7.312-062.0	Washer 10-Kunststoff ISO7089	2.000	ST	
X-X	45	7.312-005.0	Washer 10-200HV-A3E ISO 7090	1.000	ST	
X-X	46	7.316-341.0	Cotter 3,2x16-St-A2E ISO 1234	1.000	ST	

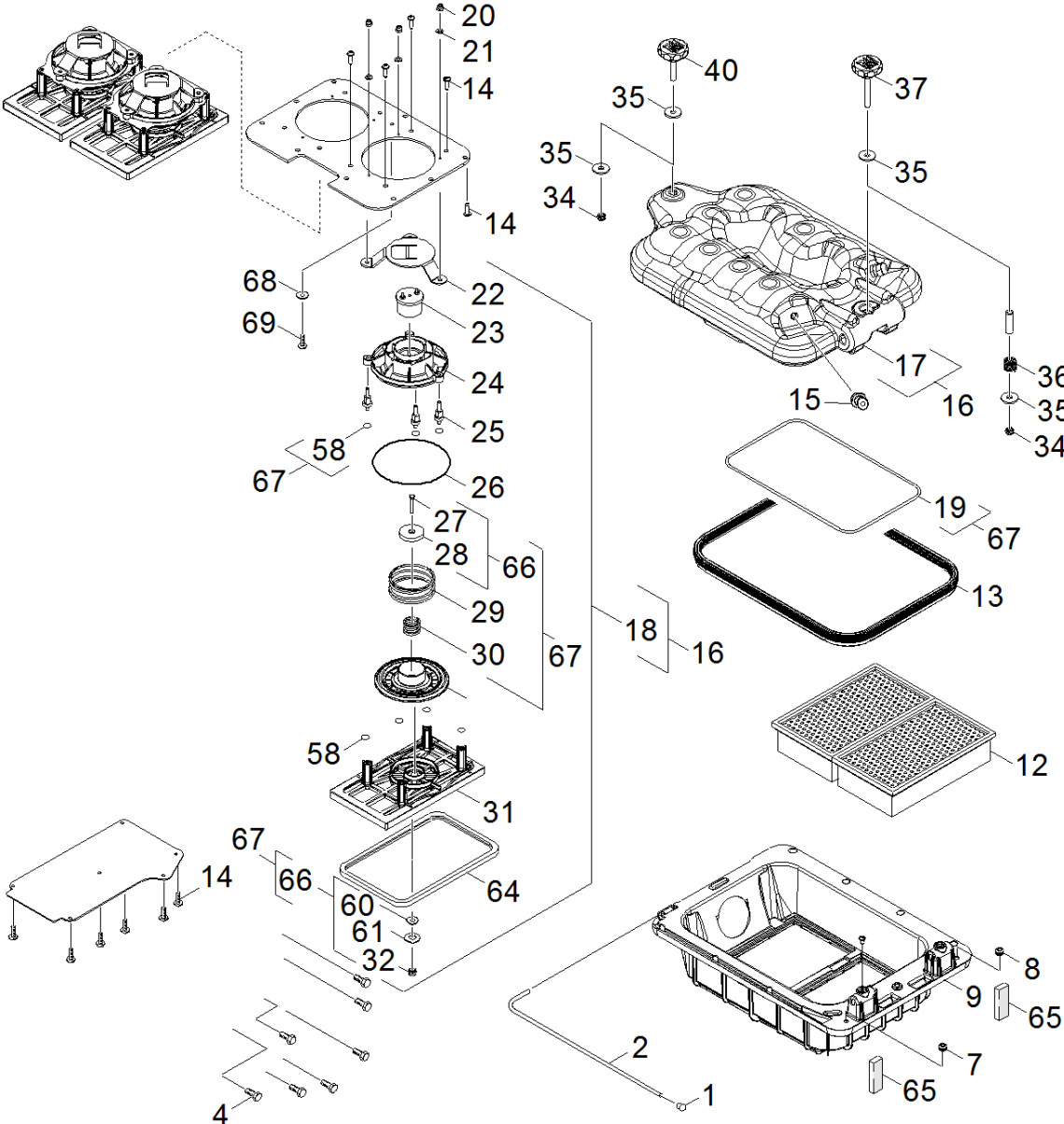
112 Add-on kit revolving signal light



**112 Add-on kit revolving signal light**

ET/VT (spare/wear parts)	Pos	Material #	Name	Qty.	Unit
X-X	1	7.303-112.0	Screw 6x20 -10.9-R2R (In6Rd)	3.000	ST
	2	7.373-000.0	Clamp 1-6-W1-2 DIN 72571	5.000	ST
	3	5.062-430.0	Plate covering cap revolving signal ligh	1.000	ST
	4	4.040-889.0	Tube holder complete ABS RKL KM90/60R Ad	1.000	ST
X-X	5	4.058-595.0	Revolving signal light 12/24V	1.000	ST
	6	6.632-476.0	Switch two-pole lamp	1.000	ST
	7	2.820-271.0	Cable set revolving signal light	1.000	ST
	8	6.368-106.0	Edge protection	1.000	M
	9	6.651-295.0	Halogen lamp 24V70W	1.000	ST
X-X	10	6.651-284.0	Halogen lamp 12V55W	1.000	ST
X-X	11	7.303-107.0	Screw 5x16 -10.9-P2R (K-In6Rd)	9.000	ST
	12	6.647-577.0	Tab	1.000	ST
	13	6.640-295.0	Ferrite core	1.000	ST





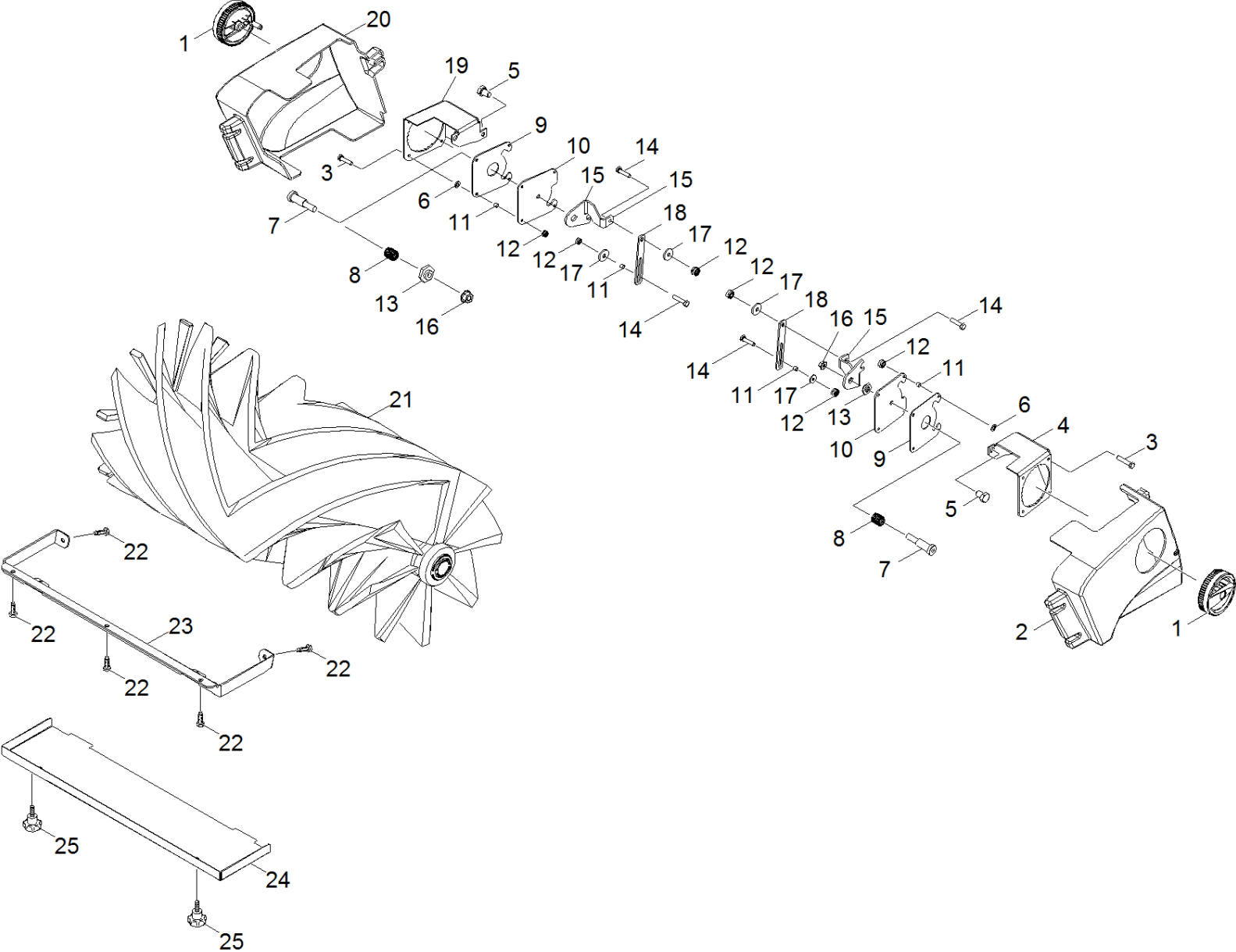
**113 Add-on kit filter box double APFC**

ET/VT (spare/wear parts)	Pos	Material #	Name	Qty.	Unit
	1	6.368-294.0	Protecting cap black 1/4" PVC	1.000	ST
	2	5.107-315.0	Bar box pressure	1.000	ST
	7	6.648-739.0	Rubber bushing	1.000	ST
	8	6.641-422.0	Wire protecting sleeve	1.000	ST
	9	5.069-366.0	Holder flat filter double	1.000	ST
X	12	6.907-352.0	Flat filter PES	2.000	ST
X	13	6.366-058.0	Sealing profile	1.000	M
X-X	14	7.303-112.0	Screw 6x20 -10.9-R2R (In6Rd)	17.000	ST
	15	6.512-011.0	Plug-in connection nipple G1/8"	1.000	ST
	16	4.058-458.0	Tank pressure complete 2-fach	1.000	ST
	17	5.033-861.0	Tank pressure KM 90/60 R Adv	1.000	ST
	18	4.582-023.0	Valve block without dividing wall	1.000	ST
	19	6.363-640.0	Cellular rubber seal string d=7mm	1.000	M
X-X	20	7.311-424.0	Hexagon nut M4 -8-A2E ISO 7040	6.000	ST
X	21	7.312-001.0	Washer 4 -200HV-A3E ISO 7089	6.000	ST
	22	5.095-538.0	Downholder magnet	2.000	ST
	23	6.653-017.0	Magnet dedusting filter 12 VDC	2.000	ST
X	24	5.044-838.0	Holder magnet	2.000	ST
	25	5.111-288.0	Distance pin short	6.000	ST
X-X	26	6.362-447.0	O-Ring seal 115,0 X 1,78-NBR 70	2.000	ST
	27	7.304-157.0	Hexagonal head screw M5x30 -8.8-A2E ISO	2.000	ST
	28	5.005-381.0	Plate magnet	2.000	ST
	29	5.332-556.0	Spring soft	2.000	ST
	30	5.332-555.0	Spring hard	2.000	ST
	31	5.069-429.0	Holder spring	1.000	ST

**113 Add-on kit filter box double APFC**

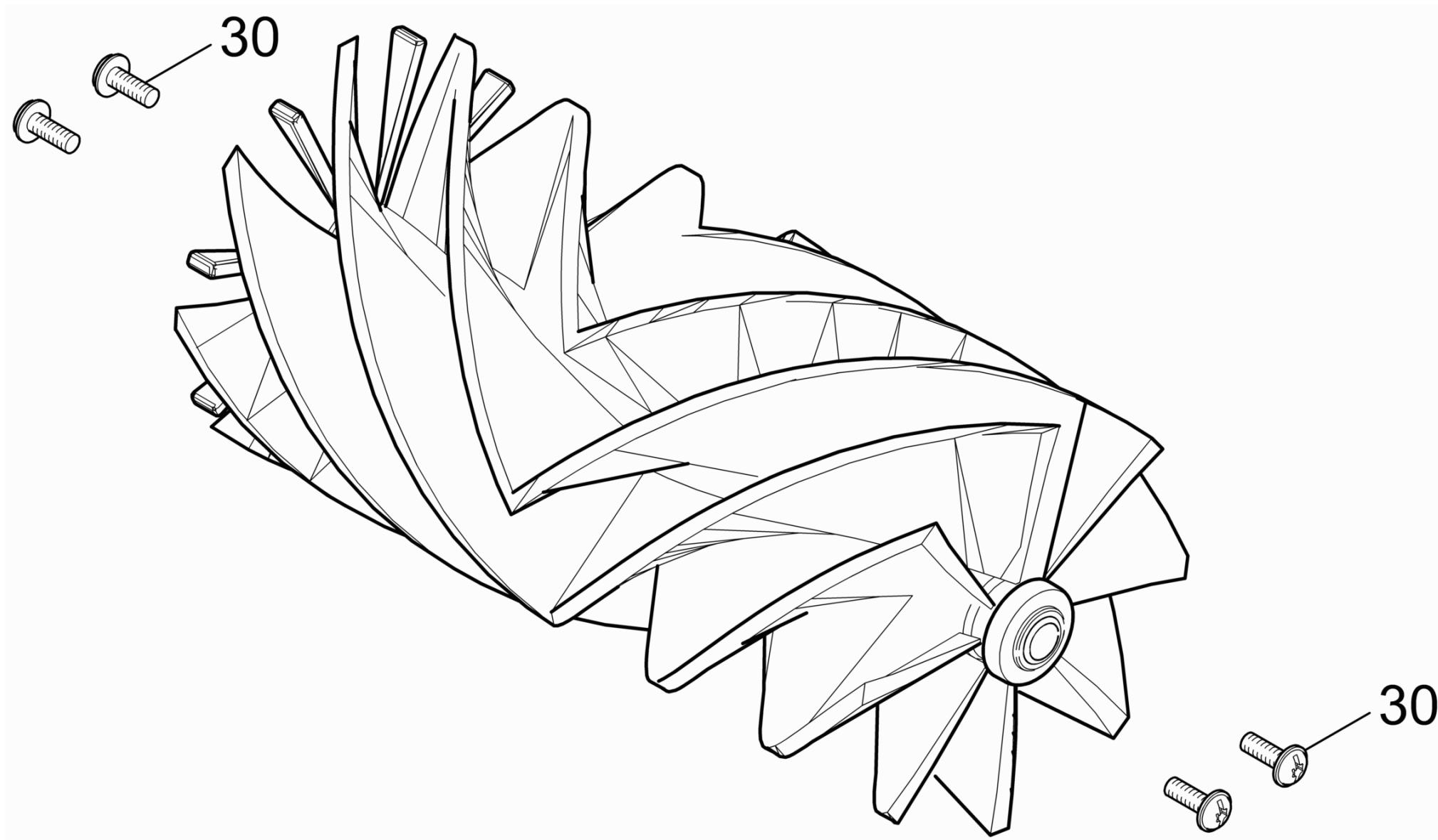
ET/VT (spare/wear parts)	Pos	Material #	Name	Qty.	Unit
	32	7.311-029.0	Hexagon nut M 5-A4-70 ISO 7042	2.000	ST
X-X	34	7.311-427.0	Hexagon nut M8 -04-A2E ISO 10511	2.000	ST
X-X	35	7.312-268.0	Washer 8 -A2 ISO 7094	4.000	ST
	36	5.332-222.0	Helical spring	1.000	ST
	37	6.321-256.0	Star grip grey M8x63	1.000	ST
	40	6.321-257.0	Star grip grey M8x43	1.000	ST
X-X	58	6.362-703.0	O-Ring seal 6,0x1,5-NBR 70	7.000	ST
	60	6.312-147.0	Washer TOLDIN522-C-A2-5,3x20x1,5	1.000	ST
	61	7.333-008.0	Disc spring A10 -St DIN 2093	1.000	ST
X-X	64	6.368-089.0	Edge protection	1.000	M
	65	6.273-120.0	Adhesiv cloth tape Zellkautschuk	1.000	M
	66	4.582-022.0	Spare part valve	1.000	ST
X	67	4.641-054.0	Spare part set valve	1.000	ST
	68	5.115-794.0	Washer	1.000	ST
X-X	69	6.304-142.0	Oval head screw M 5X 8	1.000	ST

114 Add-on kit carpet sweep



**114 Add-on kit carpet sweep**

ET/VT (spare/wear parts)	Pos	Material #	Name	Qty.	Unit
	1	5.050-403.0	Handle carriage adjustment	2.000	ST
	2	5.033-831.0	Covering left	1.000	ST
X-X	3	7.304-375.0	Hexagonal head screw M 5x25-8.8-A2E IS	8.000	ST
	4	5.062-361.0	Sheet metal component holder left	1.000	ST
	5	7.304-394.0	Hexagonal head screw M8x12 -8.8-A2E ISO	2.000	ST
	6	7.312-052.0	Washer 5 -A2 ISO 7089	8.000	ST
	7	5.105-673.0	Bolt handle	2.000	ST
X	8	5.332-207.0	Helical spring	2.000	ST
	9	5.062-363.0	Sheet metal component support	2.000	ST
	10	5.062-362.0	Sheet metal component fixing	2.000	ST
	11	5.110-315.0	Sleeve	12.000	ST
X-X	12	7.311-421.0	Hexagon nut M 5-04-A2E ISO 10511	12.000	ST
	13	5.116-439.0	Sleeve belt stretcher	2.000	ST
	14	7.304-374.0	Hexagonal head screw M 5x20-8.8-A2E IS	4.000	ST
	15	5.062-357.0	Sheet metal component adjustment	2.000	ST
X-X	16	7.311-060.0	Hexagon nut M 8-A2-70 EN 1661	2.000	ST
X	17	7.312-264.0	Washer 5-100HV-A3E ISO 7094	4.000	ST
	18	5.062-356.0	Sheet metal component carrier	2.000	ST
	19	5.062-358.0	Sheet metal component holder right	1.000	ST
	20	5.033-830.0	Covering right	1.000	ST
	21	4.762-441.0	Reversing rolling mill complete antistat	1.000	ST
	22	6.303-183.0	Self-drilling screw ST4,8X16-K-ST-A2E D	5.000	ST
	23	5.061-845.0	Sheet metal component holder perforated	1.000	ST
	24	5.061-846.0	Sheet metal component perforated grid	1.000	ST
	25	6.321-004.0	Star grip M5x10	2.000	ST

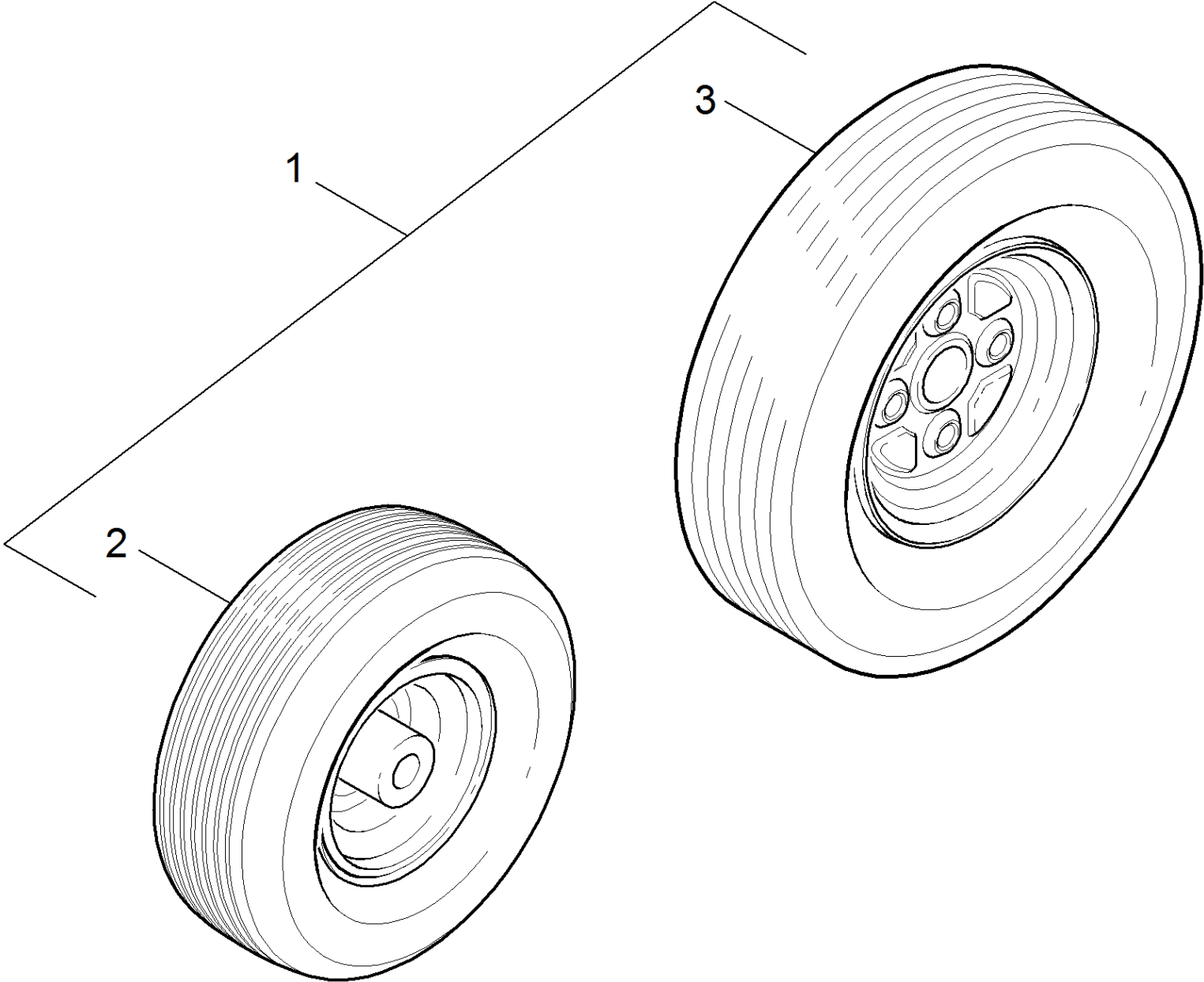


**21 Reversing rolling mill complete antistat (4.762-441.0)**

---

ET/VT (spare/wear parts)	Pos	Material #	Name	Qty.	Unit
X-X	30	7.303-107.0	Screw 5x16 -10.9-P2R (K-In6Rd)	4.000	ST

---



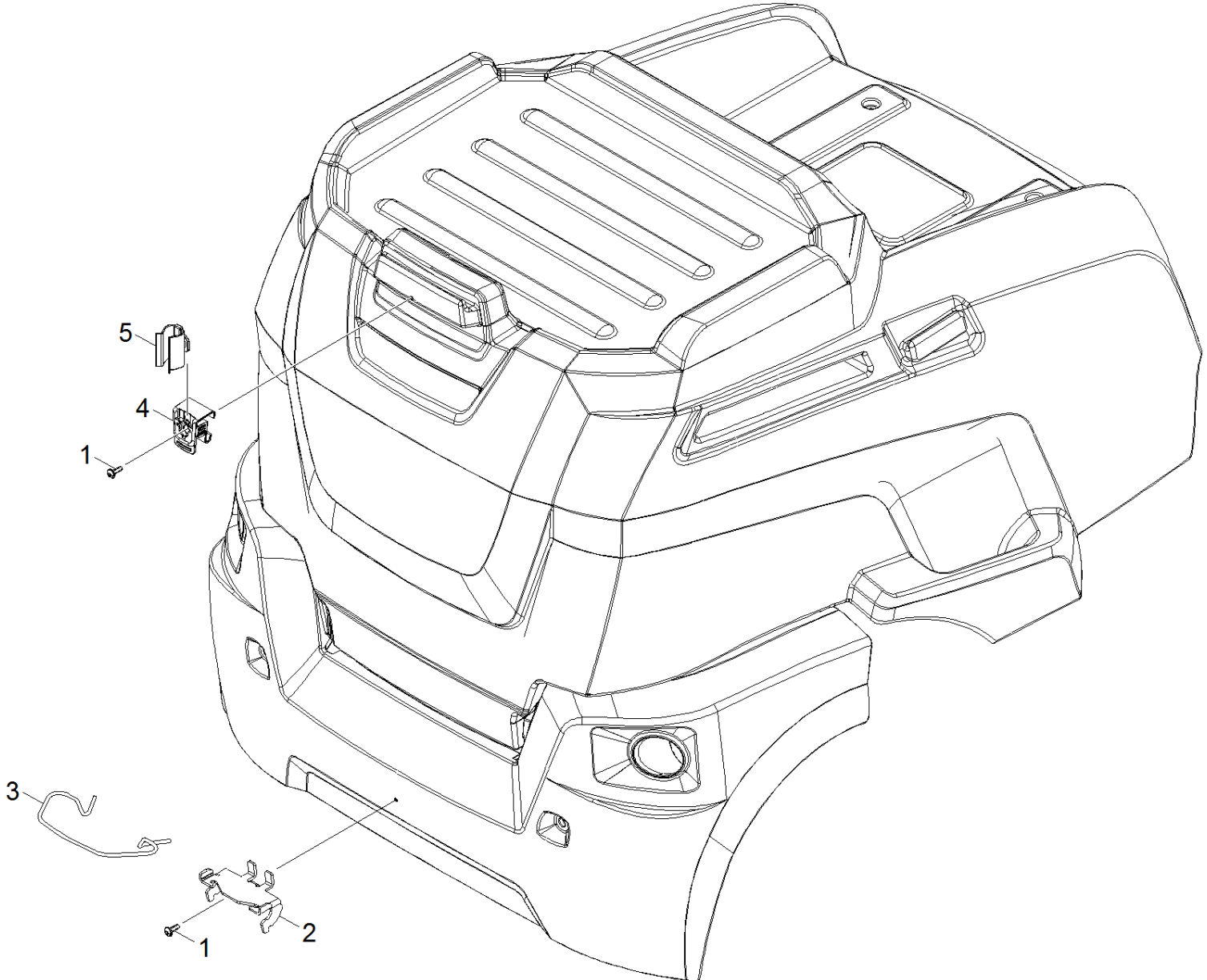


**115 Add-on kit tire equipment solid rubber**

---

ET/VT (spare/wear parts)	Pos	Material #	Name	Qty.	Unit
	1	2.642-936.0	Add-on kit tire equipment solid rubber	1.000	ST
X-X	2	6.435-811.0	Wheel breakdown surely	1.000	ST
X-X	3	6.435-439.0	Wheel solid rubber	2.000	ST

---

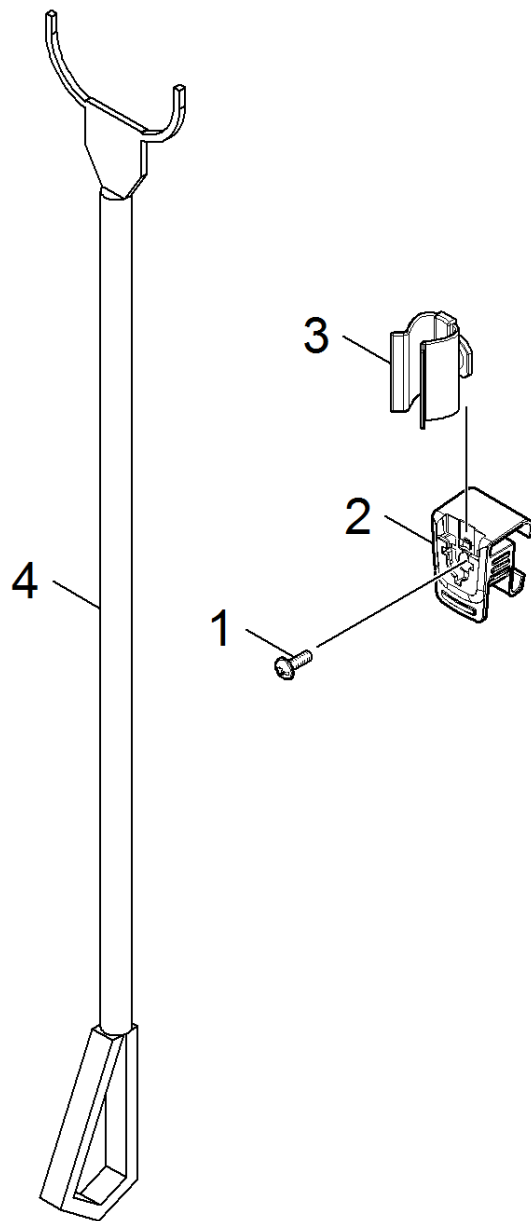


**120 Set holder broom Homebase**

---

ET/VT (spare/wear parts)	Pos	Material #	Name	Qty.	Unit
	1	6.303-200.0	Screw 5x25-IN6RD	2.000	ST
	2	5.095-554.0	Plate holder broom	1.000	ST
X-X	3	5.035-656.0	Retaining bracket mop bracket	1.000	ST
X-X	4	5.035-488.0	Adapter Homebase	1.000	ST
X-X	5	6.980-078.0	Holder handhold grey	1.000	ST

---



### 130 Set bulk waste gripper

---

ET/VT (spare/wear parts)	Pos	Material #	Name	Qty.	Unit
	1	6.303-200.0	Screw 5x25-IN6RD	1.000	ST
X-X	2	5.035-488.0	Adapter Homebase	1.000	ST
X-X	3	6.980-078.0	Holder handhold grey	1.000	ST
	4	6.369-931.0	Accessories waste gripper Greifboy	1.000	ST