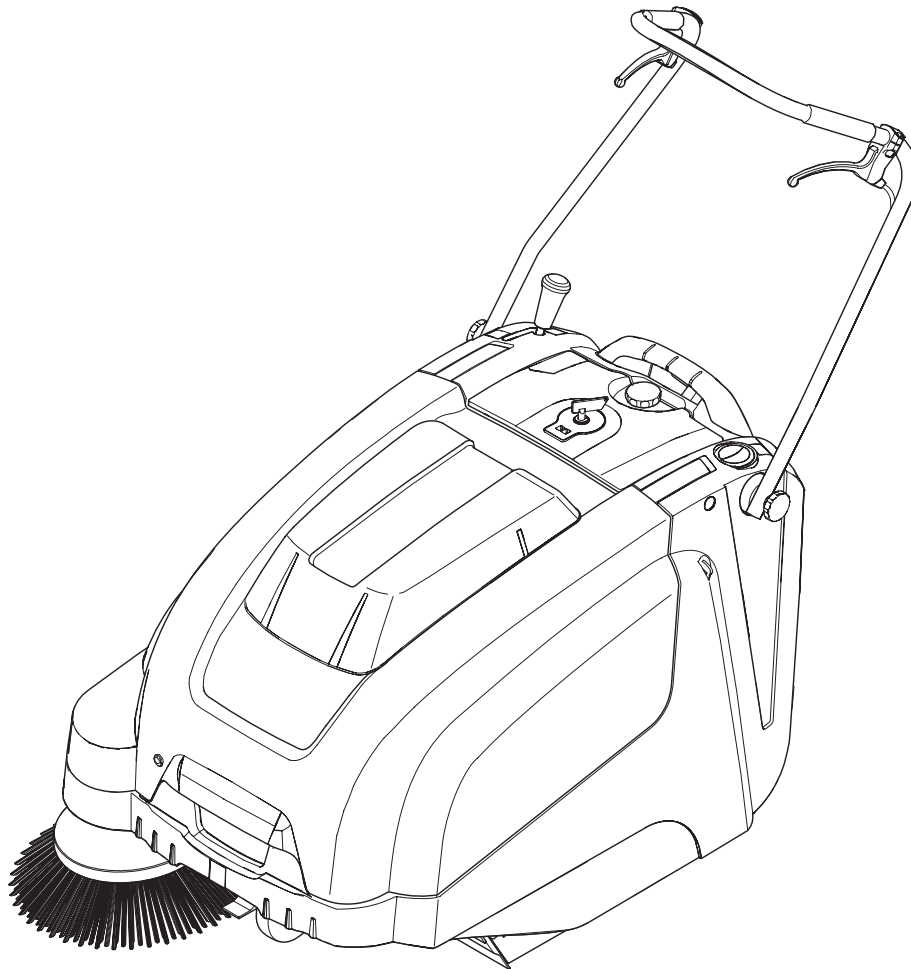


Radius 30



English	3
Français	17
Español	31



Operator Qualifications

Only trained and authorized persons shall be permitted to operate a powered unit. Operators of powered units shall be qualified as to visual, auditory, physical, and mental ability to operate the equipment safely according to the following points.

Operator Training

Personnel who have not been trained to operate powered units may operate a unit for the purposes of training only, and only under the direct supervision of the trainer. This training should be conducted in an area away from other units, obstacles, and pedestrians.

The operator training program should include the user's policies for the site where the trainee will operate the unit, the operating conditions for that location, and the specific unit the trainee will operate. The training program shall be presented to all new operators regardless of previous experience.

The training program shall inform the trainee that:

The primary responsibility of the operator is to use the unit safely following the instructions given in the training program.

The training program shall emphasize safe and proper operation to avoid injury to the operator and others and prevent property damage, and shall cover the following areas:

- A Fundamentals of the powered units(s) the trainee will operate, including:
 - (1) characteristics of the powered unit(s), including variations between the units in the workplace;
 - (2) similarities and differences from automobiles;
 - (3) significance of nameplate data, warnings, and instructions affixed to the unit;
 - (4) operating instructions and warnings in the operating manual for the unit, and instructions for inspection and maintenance to be performed by the operator;
 - (5) type of motive power and its characteristics;
 - (6) method of steering;
 - (7) braking method and characteristics;
 - (8) visibility, forward and reverse;
 - (9) stability characteristics with and without load, with and without attachments;
 - (10) controls-location, function, method of operation, identification of symbols;
 - (11) battery charging;
 - (12) guards and protective devices for the specific type of unit;
 - (13) other characteristics of the specific unit;
- B Operating environment and its effect on unit operation, including:
 - (1) floor or ground conditions including temporary conditions;
 - (2) ramps and inclines;

- (3) battery charging facilities;
- (4) narrow aisles, doorways, overhead wires and piping, and other areas of limited clearance;
- (5) areas where the unit may be operated near other powered units, other vehicles, or pedestrians;
- (6) operation near edge of dock or edge of improved surface;
- (7) other special operating conditions and hazards which may be encountered.

- C Operation of the powered unit, including:
 - (1) proper preshift inspection and approved method for removing from service a unit which is in need repair;
 - (2) parking and shutdown procedures;
 - (3) other special operating conditions for the specific application.
- D Operating safety rules and practices, including:
 - (1) provisions of the section „OPERATING SAFETY RULES AND PRACTICES“ in this document.
 - (2) other rules, regulations, or practices specified by the employer at the location where the unit will be used.
- E Operational training practice, including:
 - (1) if feasible, practice in the operation of a powered unit shall be conducted in an area separate from other workplace activities and personnel:
 - (2) training practice shall be conducted under the supervision of the trainer;
 - (3) training practice shall include the actual operation or simulated performance of all operating tasks such as maneuvering, traveling, stopping, starting, and other activities under the conditions which will be encountered in the use of the unit.

OPERATING SAFETY RULES AND PRACTICES

Operator Responsibility

Safe operation is in the responsibility of the operator.

The operator shall develop safe working habits and also be aware of hazardous conditions in order to protect himself, other personnel, the unit, and other material.

The operator shall be familiar with the operation and function of all controls and instruments before undertaking to operate the unit.

Before operating the unit, operators shall have read and be familiar with the operator's manual for the particular unit being operated and they shall also abide by the safety rules and practices in the following paragraphs.

Before operating any unit, the operator shall be familiar with unusual operating conditions which may require additional safety precautions or special operating instructions.

General

Before starting to operate the unit:

- A be in operating position;
- B place directional controls in neutral;
- C turn switch to ON position.

Do not start or operate the unit, any of its functions or attachments, from any place other than from the designated operator's position.

Keep hands and feet inside the operator's designated area.

Understand unit limitations and operate the unit in a safe manner so as not to cause injury to personnel. Safeguard pedestrians at all times.

- A Do not drive a unit up to anyone standing in front of an object.
- B Ensure that personnel stand clear of rear swing area before conducting turns and maneuvers.
- C Exercise particular care at cross aisles, doorways, and other locations where pedestrians may step into the path of travel of the unit.

Before leaving the operator's position:

- A bring the unit to a complete stop;
- B place the directional controls in neutral;
- C apply the parking brake;

In addition, when leaving the unit unattended:

- A stop the engine or turn off the controls;
- B if the unit must be on an incline, block the wheels.

Maintain a safe distance from the edge of ramps, platforms, and other similar working surfaces.

When powered units are driven on and off highway trucks or trailers, the brakes on the highway trucks or trailers shall be applied and wheel chocks or other positive mechanical means shall be used to prevent unintentional movement of highway trucks and trailers.

When powered units are driven on and off semitrailers that are not coupled to a tractor, supports may be needed to prevent upending or corner dipping.

Report all accidents involving personnel, building structures, and equipment to the supervisor or as directed.

Do not add to, or modify the unit.

Do not block access to fire aisles, stairways or fire equipment.

Traveling

Observe all traffic regulations including authorized plant speed limits. Under normal traffic conditions, keep to the right. Maintain a safe distance, based on speed of travel, from the unit ahead; keep the unit under control all times.

Yield the right of way to pedestrians and emergency vehicles such as ambulances and fire trucks.

Do not pass another unit traveling in the same direction at intersections, blind spots, or at other dangerous locations.

Cross railroad tracks at an angle wherever possible. Do not park closer than 6 ft (1800 mm) to the nearest rail of a railroad track. Keep a clear view of the path of travel and observe for other traffic, personnel, and safe clearances.

Ascend or descend grades slowly, and with caution. Avoid turning, if possible, and use extreme caution on grades, ramps, or inclines; normally travel straight up and down.

Under all travel conditions, operate the unit at a speed that will permit it to be brought to a stop in a safe manner.

Make starts, stops, turns, or direction reversals in a smooth manner so as not shift load and/or overturn the unit.

Do not indulge in stunt driving or horseplay. Slow down for wet and slippery floors.

Before driving over a dockboard or bridge plate, be sure that it is properly secured.

Drive carefully and slowly across the dockboard or bridge plate, and never exceed its rated capacity.

Do not drive units onto any elevator unless specially authorized to do so. Do not exceed the capacity of the elevator. Approach elevators slowly, and then enter squarely after the elevator car is properly leveled.

Once on the elevator, neutralize the controls, shut off power, and set brakes. It is advisable that all other personnel leave the elevator before the unit is allowed to enter or leave.

When negotiating turns, reduce speed to a safe level consistent with the operating environment. Make the turns smoothly.

Motorized hand unit operation requires special safety considerations as follows:

- A never operate with greasy hands;
- B foot protection is recommended;
- C do not ride on the unit;
- D keep feet clear of unit frame while operating.
- E always keep hands and fingers inside the protected area of the control handle;
- F be cautious when traveling in reverse due to steering characteristics;
- G use caution when turning into an aisle;
- H never travel at a speed greater than normal walking speed (approximately 3.5 mph [5.6 km/h]);
- I always place both hands on the control handle when operating;
- J always operate with one hand on controls.

Operator care of the unit

At the beginning of each shift and before operating the unit, check its condition, giving special attention to the following:

- A condition of tires
- B if pneumatic tires, check inflation pressures
- C warning and safety devices
- D lights
- E battery
- F controls
- G chains and cables

H limit switches

I steering mechanism

J additional items or special equipment as specified by the user and/or manufacturer

If the unit is found to be in need of repair or in any way unsafe, or contributes to an unsafe condition, the matter shall be reported immediately to the user's designated authority, and the unit shall not be operated until it has been restored to safe operating condition.

If during operation the unit becomes unsafe in any way, the matter shall be reported immediately to the user's designated authority, and the unit shall not be operated until it has been restored to safe operating condition.

Do not use open flames when checking electrolyte level in storage batteries.

Do not make repairs or adjustments unless specifically authorized to do so.

MAINTENANCE AND RE-BUILD PRACTICES

Operation of the unit may be hazardous if maintenance is neglected or repairs, rebuilds, or adjustments are not performed in accordance with the manufacturer's design criteria. Therefore, maintenance facilities (on or off premises), trained personnel, and detailed procedures shall be provided. Parts manuals and maintenance manuals may be obtained from the unit manufacturer.

In unusual cases not covered by the manuals referred above, consult the unit manufacturer.

Maintenance and inspection of the unit shall be performed in conformance with the following practices:

- A a schedule planned maintenance, lubrication, and inspection system shall be followed; consult the manufacturer's recommendations;
- B only trained and authorized personnel shall be permitted to maintain, repair, adjust, and inspect the unit, and in accordance with manufacturer's specifications.

Before starting inspection and repair of the unit:

- A raise drive wheels free of floor or disconnect battery and use chocks or other positive unit positioning devices;
- B block chassis before working on them;
- C disconnect battery before working on the electrical system;
- D the charger connector shall be plugged only into the battery connector and never into the unit connector.

Operation of the unit to check performance shall be conducted in an authorized area where safe clearance exists.

- A Before starting to operate the unit:
 - (1) be in operating position;
 - (2) place directional controls in neutral;
 - (3) turn switch to ON position;

(4) check function of steering, warning devices, and breaks;

B Before leaving the unit:

- (1) stop unit;
- (2) place directional controls in neutral;
- (3) stop the engine or turn off power;
- (4) turn off the control circuit;
- (5) if the unit must be left on an incline, block the wheels.

Avoid fire hazards and have fire protection equipment present in the work area. Do not use any open flame to check the level or to check for leakage of any fluid, especially battery electrolyte. Do not use open pans of fuel or flammable cleaning fluids for cleaning parts.

Properly ventilate work area, vent exhaust fumes, and keep shop clean and dry.

Brakes, steering mechanisms, control mechanisms, warning devices, articulating axle stops, and frame members shall be carefully and regularly inspected and maintained in safe operating condition.

FIRE SAFETY STANDARD

Maintenance

Any unit not in safe operating condition shall be removed from service.

Precautions. Repairs shall not be made in Class I, Class II, and Class III locations. Repairs to the electrical system of battery-powered units shall be performed only after the battery has been disconnected.

Operating Temperature. Where temperature of any part of the unit is found to be in excess of its normal operating temperature and creates a hazardous condition, the unit shall be removed from service and shall not be returned to service until the cause for such overheating has been eliminated.

Fire Prevention. The unit shall be kept in a clean condition and reasonably free of lint, excess oil, and grease. Noncombustible agents are preferred for cleaning the unit. Flammable liquids [those having flash points at or above 100°F (37,8°C)] are not allowed. Precautions regarding toxicity, ventilation, and fire hazard shall be appropriate for the agent or solvent used.

Nameplate Visibility: The unit type designations as shown on the nameplate and the type markers shall not be covered over with paint so that their identification information is obscured.

Changing and Charging Storage Batteries

This section shall apply to batteries used in electric units. The two types of batteries commonly used are lead and nickel-iron.

They contain corrosive chemical solutions, either acid or alkali, and, therefore, present a chemical hazard. While being charged, they give off hydrogen and oxygen, which, in certain concentrations, are explosive.

Battery-charging installations shall be located in areas designated for that purpose; such areas shall be kept free of extraneous combustible materials. Facilities shall be provided for the following:

- A Flushing spilled electrolyte;
- B Fire protection;
- C Protecting charging apparatus from damage by trucks; and
- D Adequate ventilation for dispersal of fumes from gassing batteries.

Where on-board chargers are used, charging shall be accomplished at locations designated for that purpose, taking into account the electrical requirements of the charger and facilities for fire protection.

Exception: Flushing facilities shall not be required if charging is accomplished without removing the battery from the vehicle.

Where handling acid concentrates greater than 50 percent acid (above 1.400 specific gravity), an eye-wash fountain shall be provided.

A conveyor, overhead hoist, or equivalent material handling equipment shall be provided for handling batteries.

Chain hoists shall be equipped with load-cabin containers. Where a hand hoist is used, uncovered batteries shall be covered with a sheet of plywood or other nonconducting material to prevent the hand chain from shorting on cell connectors or terminals. A properly insulated spreader bar shall be used with any overhead hoist.

Reinstalled or new batteries shall meet or exceed the battery type marked on the unit. Reinstalled batteries shall be positioned properly and secured in the unit.

A carboy tilter or siphon shall be provided where acid in carboys is used. When diluting concentrated sulfuric acid to make up electrolyte, the acid ALWAYS shall be added to the water - not the reverse. Battery maintenance personnel shall wear protective clothing such as eye protection, long sleeves, and gloves.

Exception: Removal and replacement of batteries shall not require the use of protective clothing.

Trained and authorized personnel shall change or charge batteries.

Electrical installations shall be in accordance with NFPA 70, *National Electrical Code*, and any local ordinances.

Units shall be positioned properly and brakes shall be applied before attempting to change or charge batteries.

Where charging batteries, the vent caps shall be kept in place to avoid electrolyte

spray. Care shall be taken to ensure that vent caps are functioning. The battery (or compartment cover(s)) shall be open to dissipate heat and gas.

Smoking shall be prohibited in the charging area.

Precautions shall be taken to prevent open flames, sparks, or electric arcs in battery-charging areas.

Tools and other metallic objects shall be kept away from the tops of uncovered batteries.



Please read and comply with these instructions prior to the initial operation of your appliance. Retain these operating instructions for future reference or for subsequent possessors. Before first start-up it is definitely necessary to read the safety indications Nr. 5.956-250!

Contents

Safety instructions	6
Function	6
Proper use	7
Environmental protection	7
Operating and Functional Elements Before Startup	8
Start up	9
Operation	10
Shutdown	11
Maintenance and care	11
Accessories	13
Troubleshooting	14
Technical specifications	15

Safety instructions

General notes

Your sales outlet should be informed about any transit damage noted when unpacking the product.

- Warning and information plates on the machine provide important directions for safe operation.
- In addition to the information contained in the operating instructions, all statutory safety and accident prevention regulations must be observed.

Drive mode

Danger

Risk of injury!

Danger of tipping if gradient is too high.

- *The gradient in the direction of travel should not exceed 12%.*

Danger of tipping on unstable ground.

- *Only use the machine on sound surfaces.*

Danger of tipping with excessive sideways tilt.

- *The gradient perpendicular to the direction of travel should not exceed 12%.*
- It is important to follow all safety instructions, rules and regulations applicable for driving motor vehicles.
- The operator must use the appliance properly. He must consider the local conditions and must pay attention to third parties, in particular children, when working with the appliance.
- The appliance may only be used by persons who have been instructed in handling the appliance or have proven qualification and expertise in operating the appliance or have been explicitly assigned the task of handling the appliance.
- The appliance must not be operated by children, young persons or persons

who have not been instructed accordingly.

- Never leave the machine unattended so long as the engine is running. The operator may leave the appliance only when the engine has come to a standstill, the appliance has been protected against accidental movement, if necessary, by applying the immobilization brake and the ignition key has been removed.

Battery-operated machines

Note

Warranty claims will be entertained only if you use batteries and chargers recommended by Windsor.

- Always follow the instructions of the battery manufacturer and the charger manufacturer. Please follow the statutory requirements for handling and disposing batteries.
- Never leave the batteries in a discharged state; recharge them as soon as possible.
- Always keep the batteries clean and dry to avoid battery drain. Protect the batteries and avoid contact with impurities such as metal dust.
- Do not place tools or similar items on the battery. Risk of short-circuit and explosion.
- Do not work with open flames, generate sparks or smoke in the vicinity of a battery or a battery charging room. Danger of explosion.
- Do not touch hot parts of the machine such as the drive motor (risk of burns).
- Be careful while handling battery acid. Follow the respective safety instructions!
- Used batteries are to be disposed according to the EC guideline 91/ 157 EWG or the corresponding national regulations in an environment-friendly manner.

Accessories and Spare Parts

Danger

To avoid risks, all repairs and replacement of spare parts may only be carried out by authorized customer service personnel.

- Only use accessories and spare parts which have been approved by the manufacturer. The exclusive use of original accessories and original spare parts ensures that the appliance can be operated safely and troublefree.
- At the end of the operating instructions you will find a selected list of spare parts that are often required.

Symbols on the appliance



Please do not sweep away any burning substances such as cigarettes, match sticks or similar objects.



Risk of being squeezed or hurt at the belts, side-brushes, containers, pushing handle.

Symbols in the operating instructions

Danger

indicates an immediate threat of danger. Failure to observe the instruction may result in death or serious injuries.

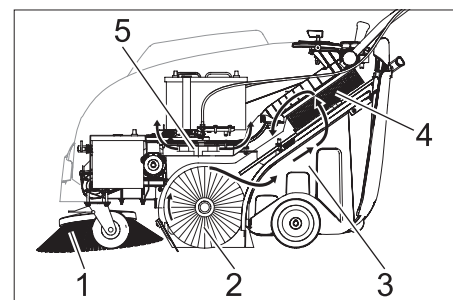
Warning

indicates a possibly dangerous situation. Failure to observe the instruction may result in light injuries or damage to property.

Note

indicates useful tips and important information.

Function



The sweeper operates using the overthrow principle.

- The side brushes (1) clean the corners and edges of the surface and move dirt and debris into the path of the roller brush.
- The rotating roller brush (2) moves the dirt and debris directly into the waste container (3).
- The dust raised in the container is separated by the dust filter (4) and the filtered clean air is drawn off by the suction fan (5).

Proper use



Use this appliance only as directed in these operating instructions.

- The machine with working equipment must be checked to ensure that it is in proper working order and is operating safely prior to use. Otherwise, the appliance must not be used.
- This sweeper has been designed to sweep dirt and debris from indoor as well as outdoor surfaces.
- The appliance is not intended for street cleaning.
- The machine is not suitable for vacuuming dust which endangers health.
- The machine may not be modified.
- Never vacuum up explosive liquids, combustible gases or undiluted acids and solvents. This includes petrol, paint thinner or heating oil which can generate explosive fumes or mixtures upon contact with the suction air. Acetone, undiluted acids and solvents must also be avoided as they can harm the materials on the machine.
- Do not sweep/vacuum up any burning or glowing objects.
- The machine is only suitable for use on the types of surfaces specified in the operating instructions.
- The machine may only be operated on the surfaces approved by the company or its authorized representatives.
- The machine may not be used or stored in hazardous areas. It is not allowed to use the appliance in hazardous locations.
- The following applies in general: Keep highly-flammable substances away from the appliance (danger of explosion/fire).

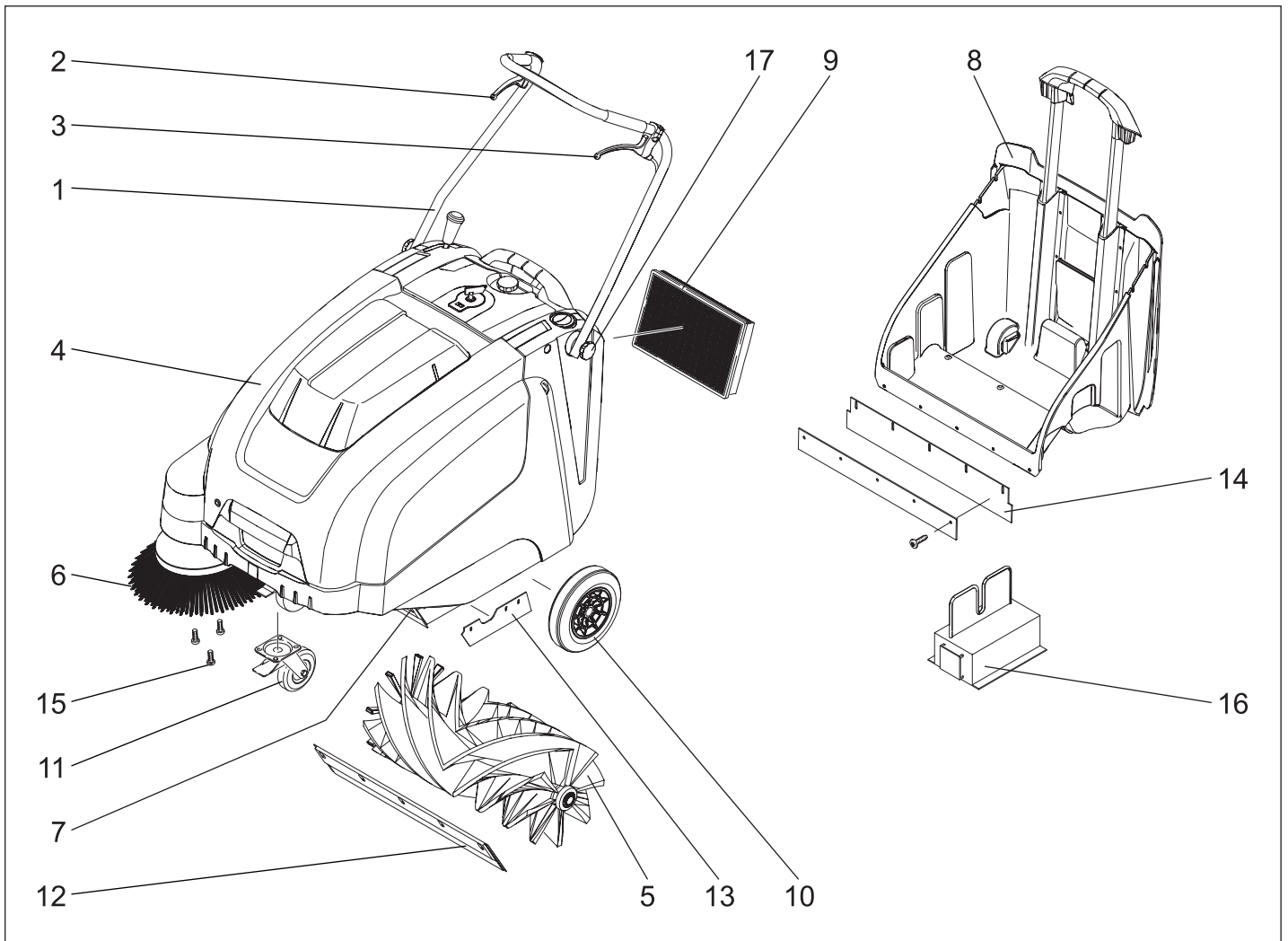
Suitable surfaces

- Asphalt
- Industrial floor
- Screed
- Concrete
- Paving stones
- Carpet

Environmental protection

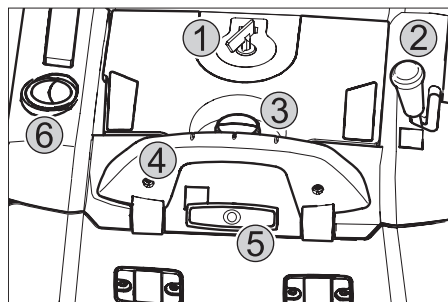
	The packaging material can be recycled. Please do not throw the packaging material into household waste; please send it for recycling.
	Old appliances contain valuable materials that can be recycled; these should be sent for recycling.. Batteries and accumulators contain substances that must not enter the environment. Please dispose off old devices, batteries and rechargeable batteries properly.

Operating and Functional Elements



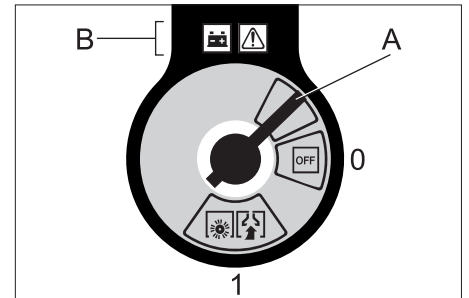
- 1 Push handle
- 2 Lever to raise and lower the bulk waste flap
- 3 Lever for forward drive
- 4 Cover
- 5 Roller brush
- 6 Side brushes
- 7 Bulk waste flap
- 8 Waste container
- 9 Dust filter
- 10 Drive wheels
- 11 Guiding roll with fixed position brake
- 12 Front sealing strip
- 13 Side sealing strip
- 14 Rear sealing strip (at the waste container)
- 15 Fastener of the side brush
- 16 Charger
- 17 Fastening screw for slider

Operating field



- 1 Main switch
- 2 Lever for lowering and raising the side-brush
- 3 Locking screw of the dust filter cover
- 4 Locking bow of the waste container
- 5 Filter cleaning for dust filter
- 6 Wet/dry flap

Main switch



0/OFF	Motor off
1	Motor on
A	Remove the key
B	Battery display

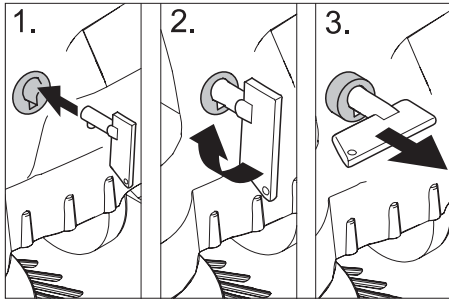
Remove the key:

Turn the main switch using "0" position and pull it out.

Open the device hood.

Note

The hood is unlocked with the same key as the main switch. The key can be removed now, when the hood is unlocked.



- ➔ Insert the key for the main switch into the hood lock and rotate in a clockwise direction by 90°.
- ➔ Pull the hood lock out by the key.
- ➔ Open the device hood.

Close device hood

- ➔ Close cover.
- ➔ Close the device hood with the main switch key.

Before Startup

Unloading

To unload the machine, proceed as follows:

- ➔ Remove the cardboard.
- ➔ Remove the wooden blocks that secure the wheels and raise the device from the pallette by hand.
- ➔ Release parking brake.

Installing the pushing handle

- ➔ Loosen the fastening screws.
- ➔ Align the pushing handle.
- ➔ Tighten the fastening screws.

Install side brush

Note

Remove the waste container and move the pushing handle to the front prior to tilting the appliance. Do not rest the appliance on the pushing handle.

- ➔ Clip side brush on to driver and screw on.

Batteries

Safety notes regarding the batteries

Please observe the following warning notes when handling batteries:

	Observe the directions on the battery, in the instructions for use and in the vehicle operating instructions!
	Wear an eye shield!

	Keep away children from acid and batteries!
	Risk of explosion!
	Fire, sparks, open light, and smoking not allowed!
	Danger of caustic material!
	First aid!
	Warning note!
	Disposal!
	Do not throw the battery in the trash bin!

⚠ Danger

Risk of explosion! Do not put tools or similar on the battery, i.e. on the terminal poles and cell connectors.

⚠ Danger

Risk of injury! Ensure that wounds never come into contact with lead. Always clean your hands after having worked with batteries.

⚠ Danger

Risk of fire and explosion!

- Smoking and naked flames are strictly prohibited.
- Rooms where batteries are charged must have good ventilation because highly explosive gas is emitted during charging.

⚠ Danger

Danger of caustic material!

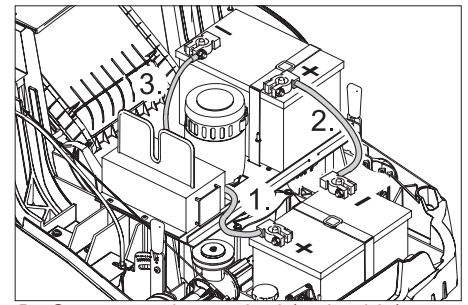
- Rinse thoroughly with lots of clear water if acid gets into the eye or comes in contact with the skin.
- Then consult a doctor immediately.
- Wash off the acid if it comes in contact with the clothes.

Installing and connecting the batteries

- ➔ Open the device hood.
- ➔ Set the batteries on to the motor carrier.
- ➔ Secure the batteries with the holding strap.

⚠ Warning

Pay attention to correct poles.



- ➔ Connect pole terminal (red cable) to positive pole (+).
- ➔ Fit the connection wires to the batteries.
- ➔ Connect pole terminal to negative pole (-).

Note

Before removing the battery, make sure that the negative pole lead is disconnected. Check that the battery pole and pole terminals are adequately protected with pole grease.

⚠ Warning

Charge the batteries before commissioning the machine.

Charge the batteries

⚠ Danger

Risk of electric shock. Observe supply network and fuse protection. Only use the charger in dry rooms with sufficient ventilation.

⚠ Danger

Risk of injury! Comply with safety regulations on the handling of batteries. Observe the directions provided by the manufacturer of the charger.

⚠ Danger

Risk of injury! The charger should be used only if the mains cable is in an undamaged state. Get the manufacturer, the customer service agent or a qualified person to immediately replace a damaged mains cable.

Note

Normally, the machine is equipped with maintenance-free batteries.

- ➔ Open the device hood.
- ➔ Insert the plug of the charger into the socket.

Note

The charger has electronic controls and automatically switches off the charging process. All functions of the machine are automatically shut down during the charging process.

The battery display shows the progress of the charging process when the plug is inserted:



Batteries are being charged	glows yellow
Batteries are charged	glows green



Charger is defective	glows red
Battery poled or is not connected	slowly blinks red
Battery defective	blinks red fast

After charging

- Disconnect the mains plug.
- Wrap the mains cord around the handle of the charger.
- Close cover.

Start up

General notes

Note

Start the appliance only when the hood is closed.

- Park the sweeper on an even surface.
- Switch off engine.
- Lock parking brake.

Inspection and maintenance work

- Check charging status of battery.
- Check side brush.
- Check roller brush.
- Shake off dust filter.
- Empty waste container.

Note

For description, see section on Care and maintenance.

Operation

Starting the machine

- Release parking brake.
- Start the motor.
- Turn the main switch to position "1".

Note

The sweep roller and the side-brushes start rotating.

Drive the machine

Drive forward

- Pull the lever for forward drive.

Note

The drive speed for forward drive can be adjusted steplessly depending on the position of the lever.

Dry run

- Release the lever for forward drive. Device comes to a halt.

Driving over obstacles

Driving over fixed obstacles which are 1.2 in (30 mm) high or less:

- Raise bulk waste flap.
- Drive forwards slowly and carefully.

Driving over fixed obstacles which are more than 1.2 in (30 mm) high:

- Only drive over these obstacles using a suitable ramp.

Sweeping mode

⚠ Danger

Risk of injury! If the bulk waste flap is open, stones or gravel may be flung forwards by the roller brush. Make sure that this does not endanger persons, animals or objects.

⚠ Warning

Do not sweep up packing strips, wire or similar objects as this may damage the sweeping mechanism.

Note

To achieve an optimum cleaning result, the driving speed should be adjusted to take specific situations into account.

Sweeping with bulk waste flap raised

Note

To sweep up larger items up to a height of 2.0 in (50 mm), e.g. cigarette packs, the bulk waste flap must be raised briefly.

Raising bulk waste flap:

- Pull the lever for raising the bulk waste flap.

Lowering the bulk waste flap:

- Release the lever for raising the bulk waste flap.

Note

An optimum cleaning result can only be achieved if the bulk waste flap has been lowered completely.

Sweeping with side brushes



- Move the lever to lower the side brush to the front. The side brush will be lowered.

Sweeping dry floors

Note

During operation, the waste container should be emptied at regular intervals.

Note

During operation, the dust filter should be shaken off and cleaned at regular intervals.



- Close wet/dry flap

Sweeping damp or wet floors

- Open wet/dry flap.

Note

This protects the filter from moisture.

Battery display

The battery display shows the charging status of the batteries during operation:



full	glows green
30% capacity remaining	glows yellow
10% capacity remaining	blinks red
Protection against total discharge; the appliance is switched off	glows red

Cleaning the dust filter



- Pull the handle of the filter clean-off out several times and reinsert it.

Emptying waste container

Note

- Make sure the seal strip is not damaged while emptying the waste container.
- The max. load of the waste container is 88.2 lbs (40 kg).
- Shake off dust filter.
- Pull lock bow of the waste container upward.
- Pull out the waste container.
- Empty waste container.
- Push in the waste container.
- Push lock bow of the waste container downward.

Turn off the appliance.

Switch off engine.

- Turn the main switch to position "0".



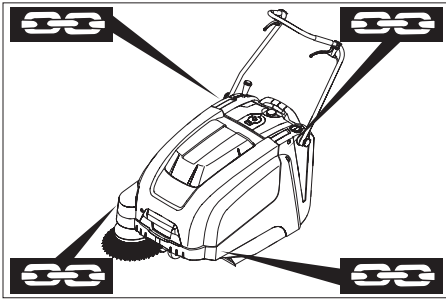
- The side-brushes lift up.
- Lock parking brake.
- Turn the main switch using "0" position and pull it out.

Transport

⚠ Warning

The appliance must be secured against slippage during transport.

- Switch off engine.
- Turn the main switch using "0" position and pull it out.
- Lock parking brake.
- Secure the wheels of the machine with wheel chocks.
- Secure the machine with tensioning straps or cables.



- 1 Tie-down area above the pushing handle
- 2 Tie-down area under the device hood

Note

- Observe markings for fixing points on base frame (chain symbols).
- Do not kink the bowden or sheathed cables.

Shutdown

If the sweeper is going to be out of service for a longer time period, observe the following points:

- Park the sweeper on an even surface.
- Switch off engine.
- Turn the main switch using "0" position and pull it out.
- Lock parking brake.
- Lock the sweeper to ensure that it does not roll off.
- Raise roller brush. Thus, engage both adjustment levers in the top boring.
- The side-brushes lift up.
- Clean the inside and outside of the sweeper.
- Park the machine in a safe and dry place.
- Disconnect batteries.
- Charge batteries and recharge approx. every 2 months.

Maintenance and care

General notes

- Maintenance work may only be carried out by approved customer service outlets or experts in this field who are familiar with the respective safety regulations.
- Mobile appliances used for commercial purposes are subject to safety inspections according to VDE 0701.

Cleaning

⚠ Warning

Risk of damage! Do not clean the appliance with a water hose or high-pressure water jet (danger of short circuits or other damage).

Cleaning the inside of the machine

⚠ Danger

Risk of injury! Wear dust mask and protective goggles.

- Open the device hood.
- Clean machine with a cloth.
- Blow through machine with compressed air.

- Close cover.

External cleaning of the appliance

- Clean the machine with a damp cloth which has been soaked in mild detergent.

Note

Do not use aggressive cleaning agents.

Maintenance intervals

Maintenance by the customer

Daily maintenance:

- Check the sweeping roller and the side brush for wear and wrapped belts.
 - Check function of all operator control elements.
 - Check functioning of all indicator lamps.
- Weekly maintenance:
- Check tension, wear and tear and functioning of the drive belts.
 - Check the smooth running of the brush cables and the moveable parts
 - Check the gasket in the sweeping area for position and wear.
 - Check the sweeping track of the sweeping roller.
 - Clean the dust filter.

Note

For description, see section on Care and maintenance.

Note

Where maintenance is carried out by the customer, all service and maintenance work must be undertaken by a qualified specialist. If required, a specialized Windsor dealer may be contacted at any time.

Maintenance by Customer Service

Maintenance to be carried out after 20 operating hours:

- Carry out initial inspection.

Maintenance to be carried out every 100 operating hours

Maintenance to be carried out every 300 operating hours

Maintenance to be carried out every 500 operating hours

Note

In order to safeguard warranty claims, all service and maintenance work during the warranty period must be carried out by the authorized Windsor Customer Service in accordance with the maintenance booklet.

Maintenance Works

Preparation:

- Park the sweeper on an even surface.
- Turn the main switch using "0" position and pull it out.
- Lock parking brake.

General notes on safety

⚠ Danger

Risk of injury!

The engine requires approx. 3-4 seconds to come to a standstill once it has been switched off. During this time, stay well clear of the working area.

- Pull out the battery plug or clamp the batteries while working on the electrical unit.
- Allow the machine sufficient time to cool down before carrying out any maintenance and repair work.
- Do not touch any hot parts, such as the drive motor.

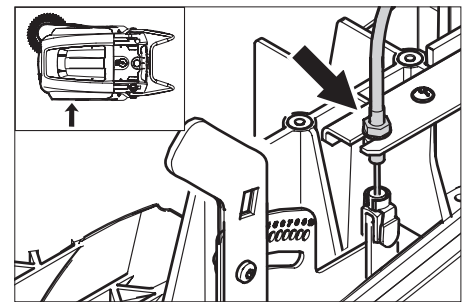
Note

Remove the waste container and move the pushing handle to the front prior to tilting the appliance. Do not rest the appliance on the pushing handle.

- Switch off the appliance prior to cleaning and performing any maintenance tasks or replacing parts.

Adjust the Bowden cable of the acceleration drive

This must be adjusted if the drive performance of the appliance becomes insufficient when driving uphill.



- Loosen counter-nut.
- Adjust the adjustment screw.
- Tighten the counter-nut.

Checking roller brush

- Lock parking brake.
- Remove the waste container.
- Remove belts or cords from roller brush.

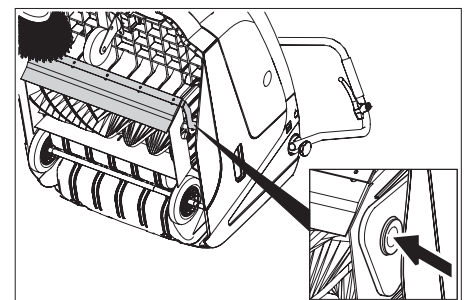
Replacing roller brush

Replacement is due if a visible deterioration in sweeping performance caused by bristle wear is evident.

Note

Remove the waste container and move the pushing handle to the front prior to tilting the appliance. Do not rest the appliance on the pushing handle.

- Lock parking brake.
- Remove the waste container.
- Tilt the appliance rearward.



- Lift the waste flap, press in the bearing cap and swivel the roller brush toward the front.
- Pull out roller brush.

- Attach the new roller brush to the drive pin (left).
- Engage the bearing cup into the boring of the roller brush swinging arm on the opposite side.

⚠ Warning

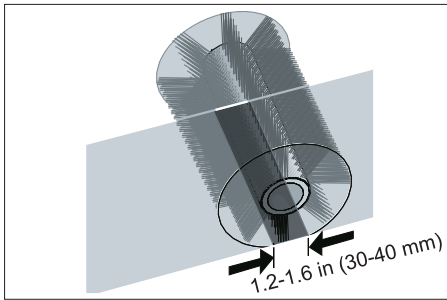
Risk of damage! Make sure that no bristles are jammed into the boring of the roller brush swinging arm.

Note

Once the new roller brush has been installed, the sweeping track must readjusted.

Check and adjust roller brush sweeping track

- Raise the sweeper from the front and drive it on to a smooth, even surface covered with a visible layer of dust or chalk.
- Lock parking brake.
- Let the sweeping roller rotate for approx. 15-30 seconds.
- Raise the sweeper at the front and drive it towards the side.

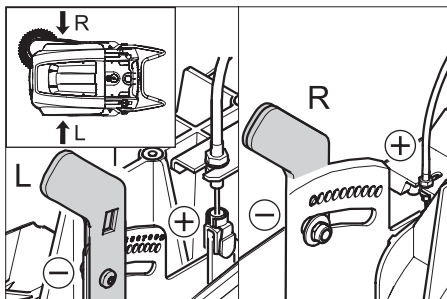


The sweeping track should have an even rectangular shape which is between 1.2 and 1.6 in (30 and 40 mm) wide.

Setting range	(-) 1...10 (+)
Minimum sweeping track	1
Maximum sweeping track	10
New roller brush	1...3

Adjust sweeping track:

- Adjust the left and right adjustment levers and engage into the same boring.



- Engage adjustment lever into the lower boring (+): Sweeping track becomes bigger
- Engage the adjustment lever into the upper boring (-): Sweeping track becomes smaller
- Check sweeping mirror.

Replacing side brush

Replacement is due if a visible deterioration in sweeping performance caused by bristle wear is evident.

Note

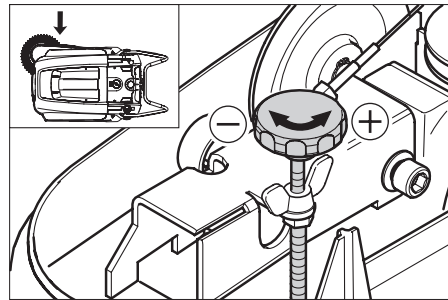
Remove the waste container and move the pushing handle to the front prior to tilting the appliance. Do not rest the appliance on the pushing handle.

- Unscrew 3 screws from the underside of the side brush.
- Remove the wiper blade.
- Clip new side brushes on to driver and screw on.

Adjust side-brush lowering

Adjustment is necessary if a visible deterioration in sweeping performance caused by side-brush is evident.

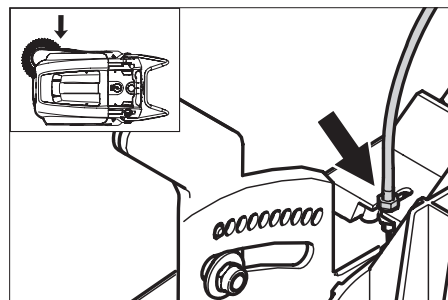
- Release the wing nut.



- Adjust the adjustment screw.
- Tighten the wing nut.

Adjust the raising of the front waste flap

- Adjustment is necessary if the front waste flap cannot be raised wide enough.
- The Bowden cable needs to be released a little if the sweeper results become poorer, for e.g. due to the wearing of the front lip.



- Loosen counter-nut.
- Adjust the adjustment screw.
- Tighten the counter-nut.

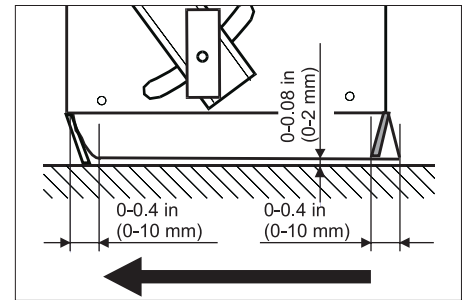
Adjusting and replacing sealing strips

Note

Remove the waste container and move the pushing handle to the front prior to tilting the appliance. Do not rest the appliance on the pushing handle.

■ Front sealing flap

- Loosen the fastening screws of the side skirt.
- Adjust or replace sealing strip.



- Set the distance between the sealing strip and the floor so that the bottom edge trails behind at a distance of between 0-0.4 in (0-10 mm).

- Adjust side skirt.
- Tighten the fastening of the side skirt.

■ Rear flap

- Remove the waste container.
- Loosen the fastening screws of the side skirt.

- Adjust or replace sealing strip.
- Set the distance between the sealing strip and the floor so that the bottom edge trails behind at a distance of between 0-0.4 in (0-10 mm).

- Tighten the fastening of the side skirt.

■ Side skirts

- Loosen the fastening screws of the side skirt.

- Adjust or replace sealing strip.
- To set the floor clearance, insert a sheet with a thickness of max. 0.08 in (2 mm) under the sealing strip.

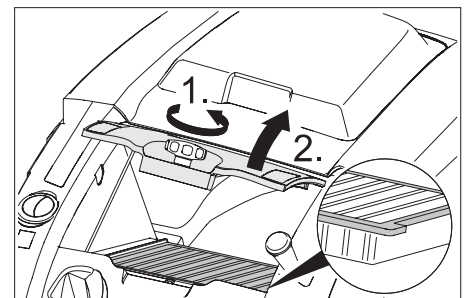
- Adjust side skirt.
- Tighten the fastening of the side skirt.

Replacing dust filter

⚠ Danger

Empty waste container before replacing dust filter. Wear a dust mask when working around the dust filter. Observe safety regulations on the handling of fine particulate material.

- Lock parking brake.
- Shake off dust filter.



- Open the locking screw of the dust filter cover in a counterclockwise direction.

- Lift the dust filter cover.
- Replace dust filter Make sure the dust filter is inserted correctly (see figure).
- Screw in the locking screw all the way.

⚠ Warning

If the locking screw is not tightened all the way, there may be damages.

Note

Make sure when installing the new filter that the fins are not damaged.

Replacing fuses

The fuses are located in the charger.

Accessories

Hard side-brushes	6.905-625.0
For removing stubborn dirt in the external area; resistant to moisture.	

Roller-brush, soft	6.906-886.0
With natural bristles especially for fine dust sweeping on smooth indoor floors. Not resistant to wetness; not for abrasive surfaces.	

Roller-brush, hard	6.906-885.0
For removing stubborn dirt in the external area; resistant to moisture.	

Roller brush, anti-static	6.906-950.0
----------------------------------	--------------------

Carpet sweeping unit	2.641-571.0
Includes: Lint trap, antistatic roller brush, triple steering roller	

Troubleshooting

Fault	Remedy
Appliance cannot be started	Close appliance hood
	Charge the batteries
	Check overload fuse
	Inform Windsor Customer Service.
Engine is running but machine is not moving	Adjust the Bowden cable of the acceleration drive
	Checking the V-Belt
	Inform Windsor Customer Service.
Device comes to halt while climbing a slope	Drive over a path with lesser slope
	Check overload fuse
	Adjust the Bowden cable of the acceleration drive
	Checking the V-Belt
	Inform Windsor Customer Service.
Machine is not sweeping properly	Check roller brush and side brushes for wear, replace if necessary.
	Check function of bulk waste flap
	Release the Bowden cable of the bulk waste flap (adjustment screw)
	Check belts for tension and functioning; replace, if required
	Adjust roller mirror
	Replacing roller brush
	Inform Windsor Customer Service.
Dust gathers in the machine	Check function of bulk waste flap
	Release the Bowden cable of the bulk waste flap (adjustment screw)
	Check dust filter, clean or replace
	Empty waste container
	Replace sealing profile at the waste container
	Check the seal on the dust filter
Poor cleaning performance at edges	Adjust side-brush lowering
	Replace side brush
	Lower the side brushes
	Check the drive belt of the side brush
	Inform Windsor Customer Service.
Side-brush raising does not function	Check Bowden cable of the side-brush raising
	Inform Windsor Customer Service.
The new roller brush brushes against the waste container	Correct the setting of the sweep track; for this, engage both adjustment levers into the upper boring (1...3)

Technical specifications

		Radius 30
Machine data		
Length x width x height (pushing handle unfolded)	in (mm)	56.3 x 29.5 x 46.9 (1430 x 750 x 1190)
Length x width x height (pushing handle folded in)	in (mm)	45.7 x 29.5 x 36.6 (1160 x 750 x 930)
Weight (without batteries)	lbs (kg)	174.2 (79)
Weight (with batteries)	lbs (kg)	275.6 (125)
Driving and sweeping speed	mph (km/h)	2.8 (4.5)
Climbing capability (max.)	%	12
Roller brush diameter	in (mm)	10.4 (265)
Side brush diameter	in (mm)	16.1 (410)
Surface area, max.	ft ² /h (m ² /h)	36600 (3400)
Working width without side brushes	in (mm)	21.7 (550)
Working width with side-brush	in (mm)	29.5 (750)
Volume of waste container	gal (l)	10.6 (40)
Protection type, drip-proof	--	IPX 3
Engine		
Type	--	DC permanent solenoid motor Direction of rotation, right
Voltage	V	24
Rated current	A	22
Rated power	W	400
Speed	1/min	2750
Type of protection	--	IP 20
Electrical fuses		
Central	A	50
Protection against total discharge	--	via relay
Filter and vacuum system		
Filter surface area, fine dust filter	ft ² (m ²)	19.4 (1.8)
Category of use – filter for non-hazardous dust	--	L
Nominal vacuum, suction system	psi (kPa)	0.07 (0.5)
Nominal volume flow, suction system	gpm (l/s)	712.4 (45)
Working conditions		
Temperature	°F (°C)	23...104 (-5...+40)
Air humidity, non-condensing	%	0 - 90
Noise emission		
Sound pressure level (EN 60704-1)	dB(A)	64
Guaranteed sound power level (2000/14/EC)	dB(A)	81
Machine vibrations		
Vibration total value (ISO 5349)		
Upper limbs	m/s ²	1.19

Maintenance Works

After the first month or 5 operating hours

- 1 Check the sweeping roller/sweeping belt for wear and wrapped belts.
- 2 Check the sweeping track and the function of the roller brush and the side brush/sweeping band.
- 3 Check tension, wear and tear and functioning of the drive belts/drive chain.
- 4 Check the smooth running of the brush cables and the moveable parts
- 5 Check functioning of all operating elements and control lamps.

Every 50 operating hours

- 1 Check tension, wear and tear and functioning of the drive belts/drive chain.
- 2 Check the smooth running of the brush cables and the moveable parts
- 3 Check the seal strips on the dust filter and the function of the filter shaker.
- 4 Check the gasket in the sweeping area for position and wear.
- 5 Check the sweeping track and the function of the roller brush and the side brush/sweeping band.
- 6 Clean and check the dust filter, replace if necessary.
- 7 Check the sweeping roller/sweeping belt for wear and wrapped belts.
- 8 Check functioning of all operating elements and control lamps.

Additional maintenance work every 100 operating hours or semi-annually

- 1 Check current-carrying lines and contacts for damages and oxidation.
- 2 Check the differential axle for play.
- 3 Check drum brake for function and setting.
- 4 Check the seal profile on the waste container and the brush roller box.
- 5 Grease the drive chain.
- 6 Check the batteries as required by manufacturer.
- 7 Clean the battery surfaces.

Additional maintenance work every 500 operating hours or annually

- 1 Check the carbon brushes in the engine.

Qualifications de l'opérateur

Seules les personnes formées et habilitées sont autorisées à utiliser une unité motorisée. Les opérateurs de ces unités doivent avoir les aptitudes visuelles et auditives ainsi que les capacités physiques et mentales requises pour utiliser cet équipement en toute sécurité.

Formation de l'opérateur

Les personnes n'ayant pas été formées à l'utilisation des unités motorisées sont autorisées à se servir de ce type d'appareil uniquement dans le cadre de formations, et ce sous la surveillance directe d'un formateur. En outre, les formations doivent être effectuées dans des zones exemptes de tout obstacle, d'autres unités et de piétons.

Le programme de formation doit comprendre l'apprentissage du règlement et des conditions d'utilisation propres au site dans lequel les utilisateurs feront usage de l'unité ainsi qu'une initiation à l'emploi du modèle particulier d'unité qui sera utilisé. Le programme de formation sera proposé à tous les nouveaux utilisateurs, quelle que soit leur expérience antérieure.

Au cours de la formation, le stagiaire sera informé des points suivants :

Sa responsabilité principale est d'utiliser l'unité en toute sécurité, en respectant les instructions prescrites dans le cadre du programme de formation.

Le programme de formation portera essentiellement sur l'utilisation correcte et en toute sécurité de l'appareil afin d'éviter toute blessure de l'utilisateur ou d'un tiers et de prévenir les dégâts matériels. Elle abordera en outre les aspects suivants :

A Caractéristiques principales de l'unité ou des unités motorisées que le stagiaire utilisera, incluant :

(1) caractéristiques de l'unité/des unités motorisée(s), y compris variations entre les diverses unités présentes sur le poste de travail ;

(2) similitudes et différences avec les automobiles ;

(3) signification des données de plaque signalétique, des mises en garde et des instructions apposées sur l'unité motorisée ;

(4) consignes d'utilisation et mises en garde du manuel d'utilisation de l'unité motorisée et instructions relatives aux contrôles et opérations d'entretien incombant à l'utilisateur ;

(5) type de force motrice et ses caractéristiques ;

(6) méthode de conduite ;

(7) méthode de freinage et ses caractéristiques ;

(8) visibilité avant et arrière ;

(9) caractéristiques de stabilité avec et sans chargement ainsi qu'avec et sans accessoires ;

(10) emplacement des commandes, fonctions, instructions d'utilisation, identification des symboles ;

(11) chargement de la batterie ;

(12) dispositifs de protection et de sécurité pour le type d'unité précis ;

(13) autres caractéristiques de l'unité précise ;

B Environnement de mise en oeuvre et ses effets sur le fonctionnement de l'unité incluant :

(1) état du sol, avec prise en compte des conditions temporaires ;

(2) rampes et pentes ;

(3) dispositifs de chargement de la batterie ;

(4) allées étroites, portes, câbles aériens, tuyauterie et autres zones difficiles d'accès ;

(5) zones où l'unité est susceptible d'être utilisée près d'autres unités motorisées, d'autres véhicules ou des piétons ;

(6) utilisation à proximité d'un bord de quai ou d'un terrain viabilisé ;

(7) d'autres conditions d'utilisation et risques peuvent se présenter.

C Fonctionnement de l'unité motorisée incluant :

(1) contrôle minutieux avant la prise de poste et méthode appropriée pour la mise hors service d'une unité motorisée nécessitant des réparations ;

(2) procédures relatives au stationnement et à l'arrêt ;

(3) autres conditions d'utilisation particulières pour l'application spécifique.

D Règles de sécurité et pratiques relatives à l'utilisation, notamment :

(1) dispositions de la section "REGLES DE SECURITE ET PRATIQUES RELATIVES A L'UTILISATION" de ce document.

(2) autres règles, réglementations ou pratiques précisées par l'employeur pour l'endroit où l'unité sera utilisée.

E Exercices pratiques d'utilisation, notamment :

(1) si possible, une utilisation pratique des unités motorisées doit être effectuée dans une zone éloignée du personnel et de toute autre activité exercée sur le lieu de travail ;

(2) cet exercice pratique sera réalisé sous la surveillance du formateur ;

(3) il consistera en l'utilisation concrète de l'appareil ou en des simulations de toutes les tâches telles que les manœuvres, le déplacement, l'arrêt, le démarrage et autres commandes réalisées dans des conditions similaires à celles qui seront rencontrées lors de l'utilisation de l'unité.

REGLES DE SECURITE ET PRATIQUES RELATIVES A L'UTILISATION

Responsabilité de l'utilisateur

L'utilisateur est responsable de l'utilisation en toute sécurité de l'appareil.

L'utilisateur devra mettre en œuvre des habitudes de travail fiables et être conscient des facteurs pouvant représenter des risques afin de prévenir toute mise en danger de sa propre personne, des tiers, de l'unité et de tout autre équipement.

Avant d'utiliser l'appareil, l'utilisateur devra avoir acquis une connaissance approfondie des fonctions et du fonctionnement de toutes les commandes et de tous les instruments.

Avant d'utiliser l'appareil, l'utilisateur devra avoir lu et s'être familiarisé avec le manuel d'utilisation de l'appareil en question. Il devra par ailleurs se conformer aux règles de sécurité et pratiques décrites dans les paragraphes suivants.

Avant d'utiliser quelque appareil que ce soit, l'utilisateur doit être conscient des éventuelles conditions d'utilisation inhabituelles pouvant nécessiter des précautions de sécurité supplémentaires ou la mise en œuvre d'instructions d'utilisation particulières.

Généralités

Avant d'utiliser l'autolaveuse motorisée :

A se mettre en position de service ;

B régler les commandes de direction en position neutre ;

C mettre le commutateur sur ON.

Ne pas démarrer ou utiliser l'appareil, ni aucune de ses fonctions ou accessoires, à partir d'un autre endroit que celui réservé à l'utilisateur.

Conservé les mains et les pieds à l'intérieur de la zone désignée pour l'opérateur. Apprécier les limites de l'appareil et utiliser ce dernier en respectant les règles de sécurité de manière à ne pas blesser le personnel. Toujours protéger les piétons.

A Ne pas diriger l'unité vers une personne se tenant devant un objet.

B S'assurer qu'aucun individu ne se trouve dans la zone située à l'arrière de l'appareil avant de procéder à des manœuvres et aux changements de direction.

C Être particulièrement attentif dans les croisements, à l'approche de portes et à tout autre endroit où des piétons risquent d'apparaître sur le parcours de l'unité.

Avant de quitter le poste de l'utilisateur :

A arrêter l'appareil ;

B régler les commandes de direction en position neutre ;

C actionner le frein à main ;

De plus, lorsque vous laissez l'unité sans surveillance :

A éteindre le moteur ou arrêter toutes les commandes ;

B si l'appareil doit stationner sur une pente, caler les roues.

Conservé une distance de sécurité avec les bords des rampes, des plates-formes et de toutes les autres surfaces de travail du même type.

Lors du chargement et du déchargement des unités dans des camions ou remorques, les freins de ces derniers doivent être actionnés. En outre, installer des cales de roue ou tout autre dispositif de blocage mécanique similaire afin de prévenir les déplacements involontaires des camions ou des remorques.

Lors du chargement et du déchargement d'unités motorisées dans des semi-remorques non tractées, des supports peuvent s'avérer nécessaires pour éviter tout renversement ou basculement sur les côtés. Signaler tout incident affectant des membres du personnel, des bâtiments ou du matériel au chef d'équipe ou conformément aux instructions reçues.

Ne pas ajouter d'accessoires à l'appareil ni le modifier de quelque manière que ce soit. Ne pas stationner à un endroit où l'appareil risque d'entraver les issues de secours, les cages d'escaliers ou les équipements de lutte contre l'incendie.

Déplacement

Respecter le code de la route, y compris les limites de vitesse des chantiers. Dans des conditions de circulation normales, serrer à droite. Maintenir une distance de sécurité avec le véhicule qui précède, en fonction de la vitesse. Garder le contrôle de l'unité en toutes circonstances.

Céder la priorité aux piétons ainsi qu'aux véhicules d'urgence comme les ambulances et les camions de pompiers.

Ne pas dépasser une autre unité circulant dans la même direction au niveau des croisements, des angles morts ou tout autre endroit dangereux.

Traverser les voies ferrées à angle droit lorsque c'est possible. Ne pas garer l'appareil à moins de 1,8 m de la voie ferrée ou du rail le plus proche.

Veiller à conserver une vue bien dégagée du trajet à emprunter et être attentif à la circulation des autres véhicules, aux déplacements des membres du personnel, ainsi qu'aux espaces de dégagement.

Monter et descendre les côtes lentement et avec prudence. Si possible, éviter de tourner et faire particulièrement attention en côte et sur les rampes où il faut normalement se déplacer en ligne droite.

Quelles que soient les conditions de circulation, conserver une vitesse permettant d'arrêter l'appareil en toute sécurité.

Lors du démarrage et de l'arrêt, ainsi que dans les virages et lors des changements de direction, effectuer les manœuvres sans à-coups afin de ne pas renverser le chargement et/ou l'unité.

Ne jamais adopter de conduite dangereuse (cascades, acrobaties etc.)

Ralentir sur les sols mouillés et glissants.

Avant de déplacer l'appareil sur un pont de chargement ou un pont de liaison, s'assurer que celui-ci est correctement sécurisé.

Avancer prudemment et lentement sur le pont de chargement ou pont de liaison. Ne jamais dépasser la charge maximale autorisée.

Ne pas monter des unités sur un élévateur à moins d'y avoir été spécialement autorisé. Ne pas dépasser la capacité de l'élévateur. Dans ce cas, approcher lentement de l'élévateur et entrer tout droit lorsque celui-ci est arrêté à niveau. Ensuite, placer les commandes de l'appareil en position neutre, couper le contact et serrer le frein de stationnement. Il est préférable que les membres du personnel éventuellement présents dans l'ascenseur en sortent avant l'entrée ou la sortie de l'unité.

Dans les virages, ralentir et adopter une vitesse de sécurité adaptée à l'environnement d'utilisation. Les virages doivent être abordés sans à-coups.

Le fonctionnement manuel de l'unité motorisée requiert la prise en compte des consignes de sécurité qui suivent :

- A ne jamais l'utiliser en ayant les mains grasses ;
- B il est recommandé de revêtir une protection pour les pieds ;
- C ne pas chevaucher l'unité ;
- D garder les jambes à distance du châssis de l'unité pendant le fonctionnement.
- E toujours conserver les mains et les doigts dans la zone protégée de la poignée de contrôle ;
- F faire attention lors du déplacement en marche arrière en raison des caractéristiques de direction ;
- G faire attention lors du changement de direction ;
- H ne jamais dépasser la vitesse normale d'un piéton (env. 5,6 km/h - 3,5 mph) ;
- I toujours placer les deux mains sur la poignée de contrôle lors du fonctionnement ;
- J piloter avec toujours une main sur les commandes.

Entretien de l'appareil par l'utilisateur

Au début de chaque prise de poste et avant chaque utilisation de l'unité, vérifier l'état de l'appareil, en inspectant tout particulièrement les éléments suivants :

- A état des pneus
- B sur les pneumatiques, vérifier la pression de gonflage
- C fonctionnement de l'avertisseur et autres dispositifs de sécurité
- D dispositifs d'éclairage
- E batterie
- F commandes
- G chaînes et câbles
- H interrupteurs de fin de course
- I mécanisme de direction
- J autres éléments ou dispositifs supplémentaires, conformément aux instructions de l'exploitant et/ou du fabricant.

Si le véhicule a besoin d'être réparé ou présente un risque quelconque, l'utilisateur doit le signaler immédiatement à son responsable et ne pas utiliser l'appareil avant résolution du problème.

Si, en cours d'utilisation, le véhicule s'avère dangereux de quelque façon que ce soit, signaler immédiatement le problème au res-

pensable concerné et cesser l'utilisation de l'appareil avant résolution du problème.

Ne pas éclairer les batteries à l'aide d'un flamme vive pour vérifier le niveau d'électrolyte.

Ne pas effectuer de réparations ou réglages à moins d'y être expressément autorisé.

PROCEDURES D'ENTRETIEN ET DE REMISE EN ETAT

L'utilisation de l'appareil peut devenir dangereuse si l'entretien est négligé ou si la remise en état ou les réglages nécessaires ne sont pas effectués en conformité avec les recommandations du fabricant. Par conséquent, il est nécessaire de prévoir des ateliers de maintenance, à l'intérieur ou l'extérieur des bâtiments, avec du personnel dûment formé, ainsi que d'établir des procédures détaillées.

Il est possible d'obtenir des guides des pièces détachées ainsi que des manuels d'entretien auprès du fabricant de l'unité.

Dans certains cas rares, non traités par ces manuels de référence, consulter directement le fabricant de l'unité.

La maintenance et l'inspection de l'appareil doivent être effectuées conformément aux procédures suivantes :

- A Les intervalles prescrits pour la maintenance, la lubrification et le contrôle du système doivent être respectés; se reporter aux instructions du fabricant ;
- B La maintenance, les réparations, les réglages et l'inspection de l'appareil doivent être confiés exclusivement à des personnes formées et habilitées et effectués conformément aux recommandations du fabricant.

Avant de commencer toute inspection ou réparation de l'unité :

- A soulever les roues motrices du sol ou débrancher la batterie et utiliser des cales de roues ou un autre procédé mécanique conçu pour assurer l'immobilisation de l'unité ;
- B bloquer le châssis avant toute intervention sur celui-ci ;
- C débrancher la batterie avant d'intervenir sur le système électrique ;
- D brancher le connecteur du chargeur exclusivement sur le connecteur de la batterie et jamais sur celui de l'appareil.

Le contrôle du fonctionnement de l'unité doit être effectué dans une zone autorisée et sécurisée.

- A Avant d'utiliser l'autolaveuse motorisée :
 - (1) se mettre en position de service ;
 - (2) régler les commandes de direction en position neutre ;
 - (3) mettre le commutateur sur ON ;
 - (4) contrôler le fonctionnement de la direction, des avertisseurs et des freins ;

B Avant de quitter l'unité :

- (1) arrêter l'unité ;
- (2) régler les commandes de direction en position neutre ;
- (3) couper le moteur ou mettre hors tension ;
- (4) arrêter le circuit de commande ;
- (5) si l'appareil doit stationner sur une pente, caler les roues.

Éviter les risques d'incendie et s'assurer que les locaux sont dotés des équipements nécessaires pour la lutte contre l'incendie. Ne jamais éclairer les batteries à l'aide d'une flamme vive pour vérifier le niveau des liquides ou contrôler pour détecter une fuite, en particulier de l'électrolyte. Ne jamais utiliser de bacs ouverts contenant du carburant ou des produits de nettoyage inflammables pour nettoyer les composants de l'autolaveuse motorisée.

Ventiler suffisamment la zone de travail, aérer pour évacuer les gaz d'échappement et veiller à ce que l'atelier soit toujours propre et sec.

Inspecter régulièrement les freins, la direction, les mécanismes de commande et de direction, les avertisseurs et les maintenir en parfait état de marche pour qu'ils puissent être utilisés sans danger.

NORMES DE SECURITE INCENDIE

Entretien

Tout appareil dont le fonctionnement représente un risque doit être mis hors service.

Précautions. Les réparations ne doivent pas être effectuées dans les zones de classe I, II et III.

La batterie doit être débranchée avant toute réparation sur le système électrique d'une unité motorisée.

Température de service. Si la température d'un composant de l'unité dépasse la température de service normale et, par conséquent, devient source de danger, l'unité doit être mise hors service et ne pas être réutilisée tant que la source de surchauffe n'a pas été réparée.

Prévention des incendies. L'unité doit être tenue propre et dans la mesure du possible, protégée des peluches, des déversements d'huile et de la graisse. L'utilisation de produits non inflammables est recommandée pour le nettoyage de l'autolaveuse motorisée. Les liquides inflammables dont le point d'ignition est égal ou supérieur à 37,8 °C (100 °F) ne sont pas autorisés. Prendre les mesures appropriées concernant la toxicité, l'aération, et les risques d'incendie selon le produit ou solvant utilisé.

Visibilité de la plaque signalétique : Les données techniques figurant sur la plaque signalétique de l'appareil ne doivent pas être recouvertes de peinture et les informations d'identification doivent rester visibles.

Remplacement et chargement des batteries

Cette section concerne les batteries utilisées sur des unités électriques. Les deux types de batteries généralement utilisées sont les batteries au plomb et les batteries au ferro-nickel. Elles contiennent des composants chimiques corrosifs (acide ou alcalin) et représentent donc un risque chimique. Lors du chargement, les batteries dégagent de l'hydrogène et de l'oxygène qui, dans certaines conditions, peuvent se combiner pour former un mélange explosif. Le chargement des batteries doit être effectué dans des endroits désignés à cet effet, où aucune matière combustible ne doit être stockée. Des équipements doivent être prévus pour :

- A rincer les déversements d'électrolyte ;
- B lutter contre l'incendie ;
- C protéger le matériel de chargement des endommagements par des véhicules et
- D pour assurer une ventilation suffisante afin d'évacuer les fumées produites par les batteries à essence.

Lorsque des chargeurs embarqués sont utilisés, le chargement doit être effectué dans des endroits prévus à cet effet, en fonction des exigences électriques du chargeur et des équipements pour la lutte contre l'incendie.

Exception : Les produits de rinçage ne sont pas nécessaires si le chargement est effectué sans retirer la batterie du véhicule.

Lors de la manipulation de concentrations d'acide supérieures à 50 % (densité au-delà de 1 400), une douche oculaire est indispensable. Un transporteur, un palan suspendu ou autre équipement de manutention doit être prévu pour la manipulation des batteries. Les appareils de levage à chaîne doivent être équipés de chaînes de levage. Lorsque des appareils de levage manuels sont utilisés, les batteries ouvertes doivent être recouvertes d'une feuille de contreplaqué ou autre matériau non conducteur afin d'éviter les courts-circuits de la chaîne de manœuvre au niveau des pontets de connexion ou des bornes. Un palonnier correctement isolé doit être utilisé avec les palans suspendus.

La capacité des batteries rechargées ou batteries neuves doit être égale ou supérieure à celle indiquée sur l'appareil. Installer les batteries rechargées correctement dans l'appareil.

Un vide-tourie ou un siphon devra être prévu dans les locaux où de l'acide en touries est utilisé. Lors de la dilution d'acide sulfurique concentré pour obtenir de l'électrolyte, l'acide doit TOUJOURS être ajouté à l'eau et non l'inverse. Les membres du personnel procédant à l'entretien des batteries doivent porter des vêtements de protection, tels que des verres protecteurs, des manches longues et des gants.

Exception : Le démontage et le remplacement des batteries ne nécessite pas l'utilisation de vêtements de protection.

Seules les personnes compétentes et habilitées sont autorisées à procéder au démontage et au chargement des batteries.

Les installations électriques doivent être conformes au NFPA 70 *code national électrique américain* ainsi qu'aux règlements locaux.

L'unité doit être en position adéquate et les freins doivent être actionnés avant toute tentative de remplacement ou de chargement des batteries.

Lors du chargement des batteries, le capuchon d'évacuation doit rester en place de façon à éviter toute projection d'électrolyte. Prendre soin de vérifier que les capuchons d'évacuation fonctionnent. Ouvrir le couvercle de la batterie (ou du compartiment de batterie) afin d'évacuer chaleur et gaz.

Il est interdit de fumer dans la zone dédiée au chargement de la batterie.

Les mesures nécessaires doivent être prises pour éviter les flammes vives, les étincelles et les arcs électriques dans les zones de chargement des batteries.

Ne jamais poser des outils ou autres objets mécaniques sur des batteries ouvertes.


 Lisez attentivement ce mode d'emploi avant la première utilisation de l'appareil et respectez les conseils y figurant. Conservez ce mode d'emploi pour une utilisation ultérieure ou un éventuel repreneur de votre matériel. Avant la première mise en service, vous devez impérativement avoir lu les consignes de sécurité N° 5.956-250 !

Table des matières

Consignes de sécurité	20
Fonction	20
Utilisation conforme	21
Protection de l'environnement	21
Éléments de commande et de fonction	22
Avant la mise en service	23
Mise en service	24
Fonctionnement	24
Remisage	25
Entretien et maintenance	25
Accessoires	27
Assistance en cas de panne	28
Caractéristiques techniques	29

Consignes de sécurité

Consignes générales

Contactez le revendeur en cas de constatation d'une avarie de transport lors du déballage de l'appareil.

- Afin d'assurer un fonctionnement sans danger, observez les avertissements et consignes placés sur l'appareil.
- Outre les instructions figurant dans le mode d'emploi, il est important de prendre en considération les consignes générales de sécurité et de prévention contre les accidents imposées par la loi.

Condition de roulage

Danger

Risque de blessure !

Risque de basculement en cas de pente trop forte.

- Dans le sens de la marche, ne pas monter des pentes supérieures à 12%.

Risque de basculement en cas de sol instable.

- N'utilisez la machine que sur des sols stabilisés.

Risque de basculement en cas de pente latérale trop importante.

- N'empruntez aucune pente supérieure à 12% dans le sens perpendiculaire au sens de la marche.
- Doivent être respectées les mesures de règlement, les règles et les décrets qui sont valables pour les automobiles.
- L'utilisateur doit utiliser l'appareil de façon conforme. Dans la circulation, il doit prendre en considération les données locales et lors du maniement de l'appareil, il doit prendre garde aux tiers personnes, et en particulier aux enfants.
- L'appareil doit uniquement être utilisé par des spécialistes qui sont instruits dans la manoeuvre ou par des person-

nes qui peuvent justifier leur aptitude d'utilisation et qui sont explicitement mandatées pour l'utilisation.

- Ne jamais laisser des enfants ou des adolescents utiliser l'appareil.
- ➔ Pendant le fonctionnement du moteur, l'appareil doit être tout le temps surveillé. L'utilisateur ne peut sortir de l'appareil que lorsque le moteur s'arrête, l'appareil est assurée contre des mouvements involontaires, le frein d'arrêt, en cas écheant est actionné et la clé de contact est retirée.

Appareils fonctionnant avec une batterie

Remarque

La garantie n'est valide qu'en cas d'utilisation des batteries et chargeurs recommandés par Windsor.

- Il est impératif de respecter les instructions de service du fabricant de batterie et du fabricant du chargeur. Il convient également d'observer la législation en vigueur en matière d'utilisation des batteries.
- Ne jamais laisser les batteries déchargées. Les recharger le plus tôt possible.
- Pour éviter les fuites de courants, les batteries doivent toujours être propres et sèches. Protéger les batteries contre l'encrassement, par exemple contre les poussières métalliques.
- Ne pas poser d'outils ou d'objets similaires sur la batterie. Risque de court-circuit et d'explosion.
- Ne jamais approcher une flamme, émettre d'étincelles ou fumer à proximité d'une batterie ou d'une station de charge pour batteries. Risque d'explosion.
- Ne toucher aucune pièce chaude, telle que le moteur (risque de brûlure).
- Prendre garde lors de la manipulation de l'acide de batterie. Respecter les consignes de sécurité qui s'appliquent !
- Toute batterie usée doit être éliminée conformément à la directive CE 91/ 157 CEE ou les directives nationales respectives relatives à la de protection de l'environnement.

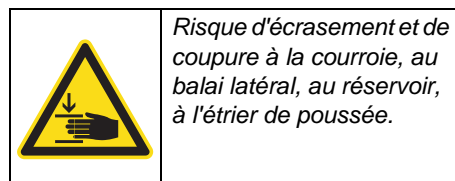
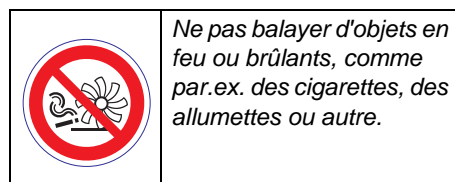
Accessoires et pièces de rechange

Danger

Afin d'éviter tout danger, seul le service après-vente agréé est habilité à effectuer des réparations ou à monter des pièces de rechange sur l'appareil.

- Utiliser uniquement des accessoires et des pièces de rechange autorisés par le fabricant. Des accessoires et des pièces de rechange d'origine garantissent un fonctionnement sûr et parfait de l'appareil.
- Une sélection des pièces de rechange utilisées le plus se trouve à la fin du mode d'emploi.

Symboles sur l'appareil



Symboles utilisés dans le mode d'emploi

Danger

Signale un danger imminent. Le non-respect de cette consigne peut être source d'accidents mortels ou de blessures graves.

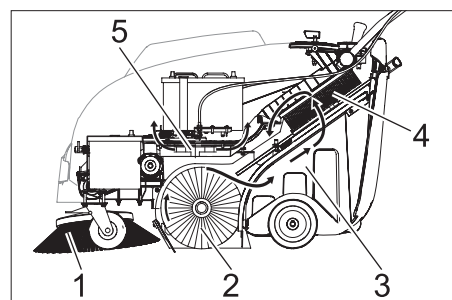
Avertissement

Signale une situation potentiellement dangereuse. Le non-respect de cette consigne peut entraîner des blessures légères ou des dégâts matériels.

Remarque

Signale des conseils d'utilisation et d'importantes informations.

Fonction



La balayeuse fonctionne selon le principe du balayage par soulèvement et projection.

- Le balai latéral (1) nettoie les angles et les bordures de la surface à balayer et achemine les déchets dans la zone d'action de la brosse rotative.
- La brosse rotative (2) rejette directement les déchets dans le bac à poussières (3).
- La poussière qui se soulève dans le réservoir est recueillie par le filtre à poussières (4) et l'air filtré est aspiré par l'aspirateur (5).

Utilisation conforme


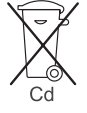
L'utilisation de l'appareil doit être faite en conformité avec les consignes figurant dans les instructions de service.

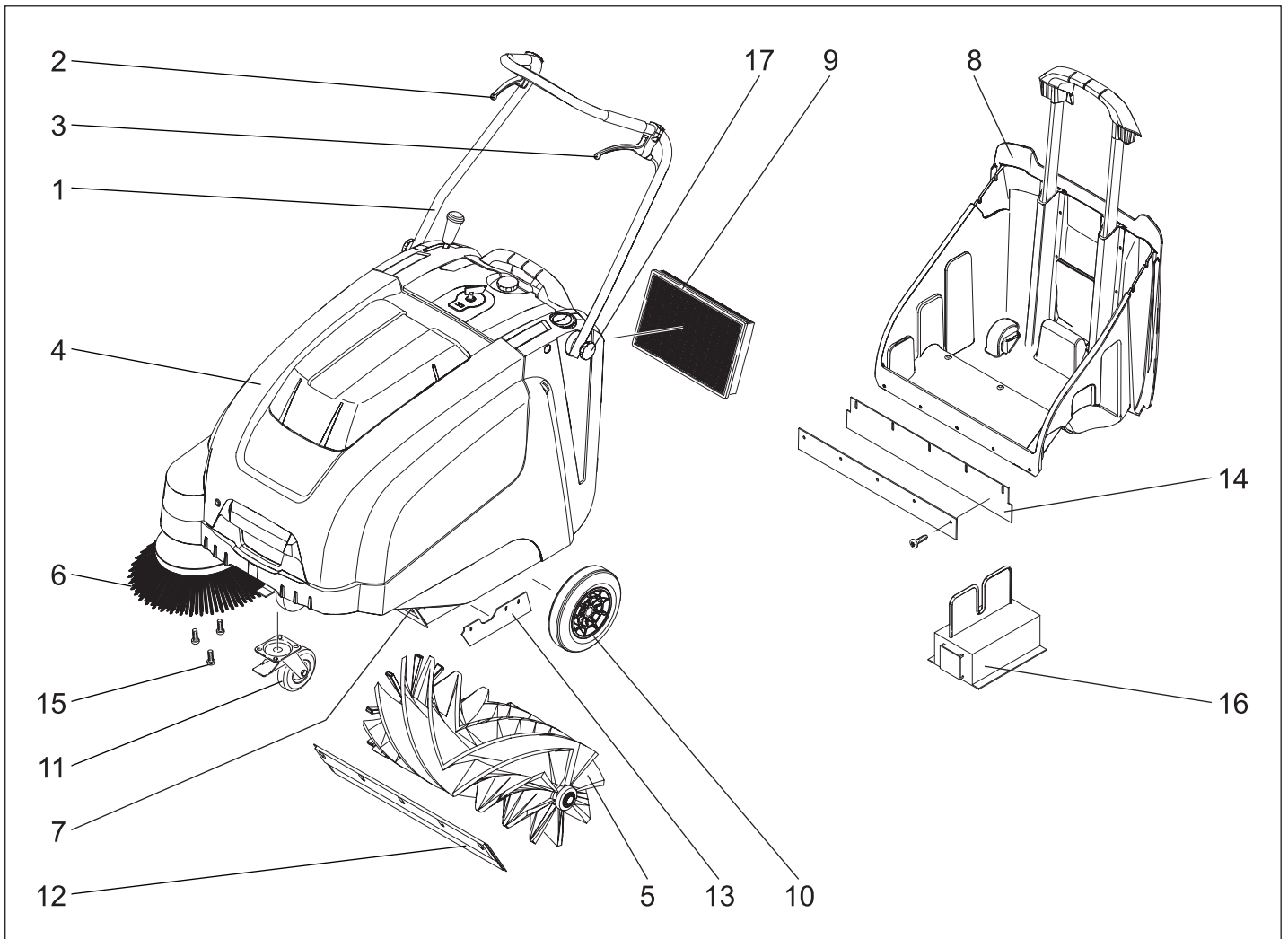
- ➔ Il est nécessaire de contrôler l'état et la sécurité du fonctionnement de l'appareil et de ses équipements avant toute utilisation. Ne pas utiliser l'appareil si son état n'est pas irréprochable.
- Cette balayeuse est conçue pour le balayage de surfaces encrassées en intérieur et en extérieur.
- L'appareil n'est pas destiné au nettoyage de voies publiques.
- Cet appareil n'est pas conçu pour aspirer des poussières nocives.
- Aucune transformation ne doit être effectuée sur la machine.
- Ne jamais aspirer ni balayer de liquides explosifs, de gaz inflammables, ni d'acides ou de solvants non dilués ! Il s'agit notamment de substances telles que l'essence, les diluants pour peintures, ou le fuel, qui, en tourbillonnant avec l'air aspiré, risqueraient de produire des vapeurs ou des mélanges, ou de substances telles que l'acétone, les acides ou les solvants non dilués, qui pourraient altérer les matériaux constitutifs de l'appareil.
- N'aspirer ou ne balayer aucun objet en flamme ou incandescent.
- Cet appareil convient uniquement pour les revêtements de sol mentionnés dans le mode d'emploi.
- Il doit exclusivement être utilisé sur des surfaces autorisées par l'entrepreneur ou son représentant.
- Il est interdit de séjourner dans la zone à risque. Il est interdit d'exploiter l'appareil dans des pièces présentant des risques d'explosion.
- En règle générale, il convient : d'éloigner les matériaux facilement inflammables de la machine (risque d'explosion ou d'incendie).

Revêtements appropriés

- Asphalte
- Sol industriel
- Chape coulée
- Béton
- Pavé
- Tapis

Protection de l'environnement

	Les matériaux constitutifs de l'emballage sont recyclables. Ne pas jeter les emballages dans les ordures ménagères, mais les remettre à un système de recyclage.
	Les appareils usés contiennent des matériaux précieux recyclables lesquels doivent être apportés à un système de recyclage. Les batteries et les accumulateurs contiennent des substances ne devant pas être tout simplement jetées. Pour cette raison, utiliser des systèmes de collecte adéquats afin d'éliminer les batteries et les accumulateurs.



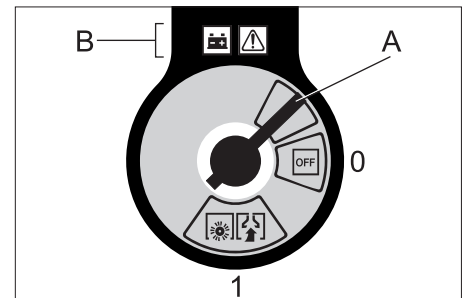
- 1 Guidon de poussée
- 2 Levier pour relever ou bien abaisser la trappe de salissures grossières
- 3 Levier pour la marche avant
- 4 Capot
- 5 Brosse rotative
- 6 Balai latéral
- 7 Trappe à gros déchets
- 8 Bac à poussières
- 9 Filtre à poussières
- 10 Roues d'entraînement
- 11 Roulettes pivotantes et frein de stationnement
- 12 Baguette d'étanchéité avant
- 13 Bague d'étanchéité arrière
- 14 Couteau d'étanchéité arrière (à la poubelle)
- 15 Fixation du balai latéral
- 16 Chargeur
- 17 Vis de fixation de l'anse de poussée

Zone de commande



- 1 Interrupteur principal
- 2 Levier pour abaisser et lever le balai latéral
- 3 Vis de serrage du capot du filtre à poussière
- 4 Etrier de fermeture du bac à poussière
- 5 Nettoyage pour le filtre à poussières
- 6 Clapet sol sec/sol humide

Interrupteur principal



0/OFF	Moteur hors de service
1	Moteur marche
A	Retirer la clé
B	Affichage de la batterie

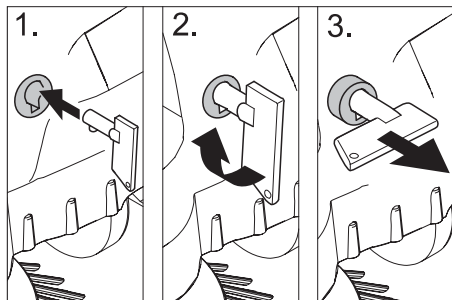
Retirer la clé :

Tourner la clé du sectionneur général au-delà de la position "0" et la retirer.

Ouvrir le capot de l'appareil

Remarque

Le capot de l'appareil est verrouillé avec la clé de l'interrupteur principal. La clé ne peut être retirée que lorsque le capot de l'appareil est verrouillé.



- Insérer la clé de l'interrupteur principal dans la fermeture du capot et tourner de 90° dans le sens horaire.
- Retirer la clé de la fermeture du capot.
- Ouvrir le capot de l'appareil.

Fermer le capot de l'appareil

- Fermer le capot.
- Fermer le capot de l'appareil avec la clé du sectionneur général.

Avant la mise en service

Déchargement de la machine

Pour décharger cet appareil, procéder comme suit :

- Retirer le carton.
- Retirer les cales de bois bloquant les roues et soulever l'appareil de la palette à la main.
- Desserrer le frein.

Monter le guidon de poussée

- Desserrer les vis de fixation.
- Redresser le guidon de poussée.
- Serrer les vis de fixation.

Monter les balais latéraux

Remarque

Avant de basculer l'appareil, retirer le bac à poussières et pivoter le guidon de poussée vers l'avant. Ne pas poser l'appareil sur le guidon de poussée.

- Fixer un nouveau balai et serrer les écrous.

Batteries

Consignes de sécurité

Respecter impérativement ces consignes en cas de manipulation des batteries :

	Respecter les consignes situées sur la batterie, dans les instructions de service et dans le mode d'emploi du véhicule !
	Porter des lunettes de protection !

	Tenir les enfants à l'écart des acides et des batteries !
	Risque d'explosion !
	Toute flamme, matière incandescente, étincelle ou cigarette est interdite à proximité de la batterie !
	Risque de brûlure!
	Premiers soins !
	Attention !
	Mise au rebut !
	Ne pas mettre la batterie au rebut dans le vide-ordures !

⚠ Danger

Risque d'explosion ! Ne jamais déposer d'outils ou d'objets similaires sur les bornes et les barrettes de connexion de la batterie.

⚠ Danger

Risque de blessure ! Ne jamais mettre en contact des plaques avec le plomb. Prendre soin de toujours se laver les mains après avoir manipulé la batterie.

⚠ Danger

Risque d'incendie et d'explosion!

- Il est interdit de fumer ou de faire brûler des objets.
- Les espaces dans lesquelles sont chargées les batteries doivent être bien aérés, puisque au chargement peut apparaître du gaz très explosif.

⚠ Danger

Risque de brûlure!

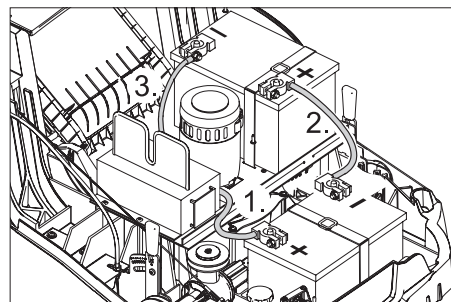
- Des éclaboussures d'acide dans l'oeil ou sur la peau laver avec l'eau.
- Après avoir immédiatement le médecin.
- Laver les vêtements salés avec l'eau.

Montage et branchement des batteries

- Ouvrir le capot de l'appareil.
- Disposer les batteries sur le support moteur.
- Sécuriser les batteries avec une bande de maintien.

⚠ Avertissement

Veiller à respecter les polarités appropriées.



- Monter la cosse (câble rouge) sur le pôle plus (+) de la batterie.
- Visser la ligne de connexion à la batterie.
- Monter la cosse sur le pôle moins (-) de la batterie.

Remarque

Il convient de toujours débrancher le pôle moins en premier lors du démontage de la batterie. Enduire les pôles de la batterie et les cosses de graisse pour les protéger.

⚠ Avertissement

Charger les batteries avant de mettre l'appareil en service.

Charger les batteries

⚠ Danger

Risque d'électrocution. Faire attention au réseau de conduction de courant et à la protection par fusibles. Utiliser le chargeur seulement dans des pièces sèches et suffisamment aérées.

⚠ Danger

Risque de blessure ! Respecter les consignes de sécurité pour l'utilisation de batteries. Lire avec attention le mode d'emploi du chargeur de batterie.

⚠ Danger

Risque de blessure ! Le chargeur peut être uniquement mis en service, lorsque le câble secteur n'est pas endommagé. Un câble secteur endommagé doit être substitué immédiatement par le fabricant, le service après-vente ou une personne qualifiée.

Remarque

L'appareil est équipé en série de batteries sans maintenance.

- Ouvrir le capot de l'appareil.
- Brancher la fiche secteur du chargeur dans la prise.

Remarque

Le chargeur dispose d'un réglage électronique et met fin automatiquement à la procédure de charge. Lors de la procédure de charge, toutes les fonctions de l'appareil sont automatiquement interrompues. Le témoin de contrôle de la batterie indique la progression de la procédure de charge lorsque la fiche secteur est branchée :



Les batteries sont chargées	Le témoin s'allume (jaune)
Les batteries sont chargées	Le témoin s'allume (vert)



Le chargeur est en panne	Le témoin s'allume (rouge)
La batterie n'est pas bien pôle ou n'est pas branchée	Le témoin clignote lentement (rouge)
Batterie défectueuse	Le témoin clignote rapidement (rouge)

Après la procédure de charge

- Débrancher le câble d'alimentation.
- Enrouler le câble d'alimentation autour de la poignée du chargeur.
- Fermer le capot.

Mise en service

Consignes générales

Remarque

Mise en service uniquement avec le capot fermé.

- Garer la balayeuse sur une surface plane.
- Couper le moteur.
- Serrer le frein de stationnement.

Travaux de contrôle et de maintenance

- Vérifier le niveau de charge de la batterie.
- Contrôler les balais latéraux.
- Vérifier la brosse rotative.
- Nettoyer le filtre à poussières.
- Vider le bac à poussières.

Remarque

Voir description au chapitre Entretien et maintenance.

Fonctionnement

Démarrage de la machine

- Desserrer le frein.
- Lancer le moteur.
- Tourner le sectionneur général sur la position "1".

Remarque

La brosse rotative et le balai latéral tournent.

Déplacer la balayeuse

Avancer

- Tirer le levier pour la marche avant.

Remarque

La vitesse de translation peut être réglée en continu pour l'avancée vers l'avant selon la position du levier.

Ralenti

- Relâcher le levier pour la marche avant. L'appareil reste immobile.

Franchissement des obstacles

Franchir des obstacles fixes jusqu'à 1.2 in (30 mm) de hauteur :

- Relever la trappe à gros déchets.
 - Franchir l'obstacle avec précaution en avançant lentement.
- Franchir des obstacles fixes de plus de 1.2 in (30 mm) de hauteur :
- Le véhicule ne peut franchir ces obstacles qu'avec une rampe appropriée.

Balayage

⚠ Danger

Risque de blessure ! Lorsque la trappe à gros déchets est ouverte, la brosse rotative peut projeter des pierres ou des graviers vers l'avant. Veiller à ne mettre en danger aucune personne, animal ou objet.

⚠ Avertissement

Ne balayer ni bandes adhésives, ni fils de fer ou autres matériaux risquant de détériorer le mécanisme de balayage.

Remarque

Adapter la vitesse du véhicule en fonction du lieu pour obtenir un résultat de balayage optimal.

Balayage avec trappe à gros déchets relevée

Remarque

La trappe à gros déchets doit être brièvement levée pour permettre l'aspiration d'objets pouvant aller jusqu'à 2.0 in (50 mm) de hauteur, comme les paquets de cigarettes. Relever la trappe à gros déchets :

- Tirer le levier pour soulever la trappe à gros déchets.

Abaisser la trappe à gros déchets :

- Relâcher le levier pour soulever la trappe à gros déchets.

Remarque

Pour obtenir un résultat optimal, la trappe à gros déchets doit être intégralement abaissée.

Balayage avec balais latéraux



- Positionner le levier pour abaisser le balai latéral vers l'avant. Les balais latéraux sont abaissés.

Balayage de sols secs

Remarque

Le bac à poussières doit être vidé régulièrement pendant l'utilisation de la balayeuse.

Remarque

Le filtre à poussières doit être nettoyé régulièrement pendant l'utilisation de la balayeuse.



- Fermer le clapet sol sec/sol humide

Balayage de sols humides ou mouillés

- Ouvrir le clapet sol sec/sol humide

Remarque

Le filtre est ainsi protégé de l'humidité.

Affichage de la batterie

L'affichage de la batterie affiche pendant le fonctionnement l'état de charge des batteries :



plein	Le témoin s'allume (vert)
30% de capacité restante	Le témoin s'allume (jaune)
10% de capacité restante	le témoin clignote (rouge)
Protection contre un bas déchargement, l'appareil s'arrête	Le témoin s'allume (rouge)

Nettoyer le filtre à poussières



- Tirer plusieurs fois la poignée du nettoyage du filtre et la glisser à l'intérieur.

Vider le bac à poussières.

Remarque

- En vidant le réservoir à poussière, faire attention à ce que la barre d'étanchéité ne soit pas endommagée.
- La charge maximale autorisée du récipient à poussière est de 88.2 lbs (40 kg).
- Nettoyer le filtre à poussières.
- Tirer l'anse de fermeture du réservoir à poussière vers le haut.
- Retirer le bac à poussières.
- Vider le bac à poussières.
- Insérer le bac à poussières.
- Pousser l'anse de fermeture du réservoir à poussière vers le bas.

Mise hors service de l'appareil

Couper le moteur.

- Tourner le sectionneur général sur la position "0".



- Lever les balais latéraux.
- Serrer le frein de stationnement.
- Tourner la clé du sectionneur général au-delà de la position "0" et la retirer.

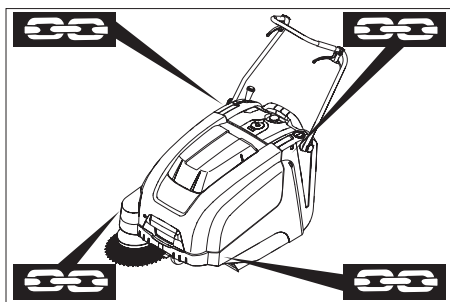
Transport

⚠ Avertissement

Au transport, l'appareil doit être assuré contre un déplacement.

- Couper le moteur.
- Tourner la clé du sectionneur général au-delà de la position "0" et la retirer.
- Serrer le frein de stationnement.

- Sécuriser le véhicule à l'aide de cales sous les roues.
- Arrimer la machine avec des sangles ou des cordes.



- 1 Zone de fixation au-dessus du guidon de poussée
- 2 Zone de fixation en dessous du capot de l'appareil

Remarque

- Respecter les points d'arrimage symbolisés par des chaînes situées sur le châssis (symboles de chaîne).
- Ne pas plier de câble sous gaine ou Bowden.

Remisage

Respecter les instructions suivantes si la machine doit rester inutilisée pendant un certain temps :

- Garer la balayeuse sur une surface plane.
- Couper le moteur.
- Tourner la clé du sectionneur général au-delà de la position "0" et la retirer.
- Serrer le frein de stationnement.
- Sécuriser la balayeuse afin qu'elle ne puisse rouler librement.
- Relever la brosse. Pour cela, enclencher les deux leviers de réglage dans le perçage supérieur.
- Lever les balais latéraux.
- Nettoyer l'intérieur et l'extérieur de la balayeuse.
- Garer la machine dans un endroit protégé et sec.
- Débrancher les batteries.
- Charger les batteries tous les 2 mois environ.

Entretien et maintenance

Consignes générales

- Les maintenances doivent être uniquement effectuées par des services d'assurances au client autorisés ou par des spécialistes.
- Les appareils utilisés industriellement à des locaux différents doivent être avoir effectués une révision de protection selon VDE 0701.

Nettoyage

⚠ Avertissement

Risque d'endommagement ! L'appareil ne peut être nettoyé à l'eau avec un flexible ou au jet haute pression (Danger de court-circuits ou autres dégâts).

Nettoyage intérieur du véhicule.

⚠ Danger

Risque de blessure ! Porter un masque et des lunettes de protection.

- Ouvrir le capot de l'appareil.
- Essuyer le véhicule avec un chiffon.
- Nettoyer le véhicule à l'air comprimé.
- Fermer le capot.

Nettoyage extérieur de l'appareil

- Nettoyer l'extérieur du véhicule avec un chiffon humide et un détergent doux.

Remarque

N'utiliser aucun détergent corrosif.

Fréquence de maintenance

Maintenance par le client

Maintenance quotidienne :

- Contrôler le degré d'usure du balai-brosse et de la balayeuse latérale et vérifier l'enroulement des bandes.
- Vérifier le fonctionnement de tous les éléments de commande.
- Vérifier le fonctionnement de toutes les lampes témoin.

Maintenance hebdomadaire :

- Contrôler la tension, l'usure et la fonction des courroies d'entraînements.
- Contrôler la manoeuvrabilité des câbles sous gaine et des pièces mobiles.
- Vérifier le réglage et le degré d'usure des joints dans le domaine de balayage.
- Vérifier la surface de balayage de la brosse rotative.
- Nettoyer le filtre à poussières.

Remarque

Voir description au chapitre Entretien et maintenance.

Remarque

Tous les travaux d'entretien qui relèvent du client doivent être effectués par une personne qualifiée. A tout moment, celle-ci peut faire appel à un technicien Windsor.

Maintenance par le service après-vente

Maintenance après 20 heures de service :

- Effectuer la première inspection.

Maintenance toutes les 100 heures de service :

Maintenance toutes les 300 heures de service :

Maintenance toutes les 500 heures de service :

Remarque

Pour éviter de perdre le bénéfice de la garantie, veuillez confier au service après-vente Windsor agréé tous les travaux de maintenance et d'entretien pendant la durée de la garantie.

Travaux de maintenance

Préparation :

- Garer la balayeuse sur une surface plane.
- Tourner la clé du sectionneur général au-delà de la position "0" et la retirer.
- Serrer le frein de stationnement.

Consignes de sécurité générales

⚠ Danger

Risque de blessure !

Le moteur continue à tourner 3 ou 4 secondes après l'arrêt. Ne pas s'approcher de la zone de travail pendant ce laps de temps.

- Débrancher ou couper la fiche des batteries en cas de travaux à la machine électrique
- Laisser suffisamment refroidir la machine avant d'entreprendre des travaux de maintenance ou des réparations.
- Ne toucher aucune pièce chaude, telles que le moteur.

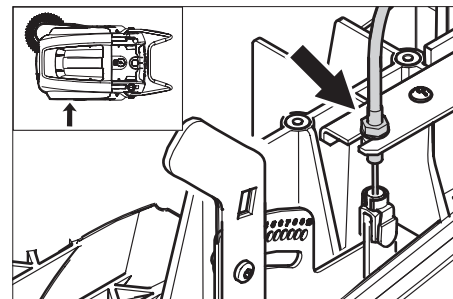
Remarque

Avant de basculer l'appareil, retirer le bac à poussières et pivoter le guidon de poussée vers l'avant. Ne pas poser l'appareil sur le guidon de poussée.

- Avant de nettoyer et de procéder à a maintenance de la machine et de changer des pièces, la machine doit être mise hors tension.

Régler le câble Bowden du mécanisme d'entraînement

Un réglage est nécessaire lorsque l'énergie motrice de la machine est insuffisante lors de montées.



- Desserrer le contre-écrou
- Régler la vis de réglage.
- Serrer le contre-écrou.

Contrôler la brosse rotative.

- Serrer le frein de stationnement.
- Retirer le bac à poussières.
- Ôter les fils et bandes de la brosse rotative.

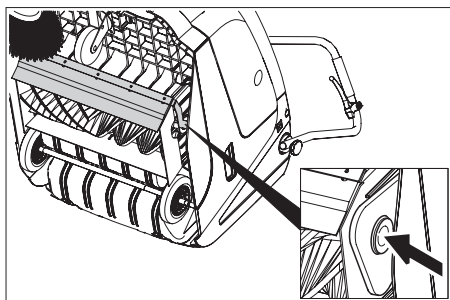
Changer la brosse rotative

Il est nécessaire de remplacer la brosse lorsque le nettoyage devient moins efficace à cause de l'usure des crins.

Remarque

Avant de basculer l'appareil, retirer le bac à poussières et pivoter le guidon de poussée vers l'avant. Ne pas poser l'appareil sur le guidon de poussée.

- Serrer le frein de stationnement.
- Retirer la poubelle.
- Verser l'appareil en avant.



- Lever la trappe à gros déchets, enfoncer le coussinet et pivoter la brosse rotative vers l'avant.
- Extraire la brosse rotative.
- Placer une nouvelle brosse rotative sur les tenons d'entraînement (à gauche).
- Enclencher le coussinet dans l'orifice du dispositif de basculement de brosse rotative sur le côté en face.

⚠ **Avertissement**

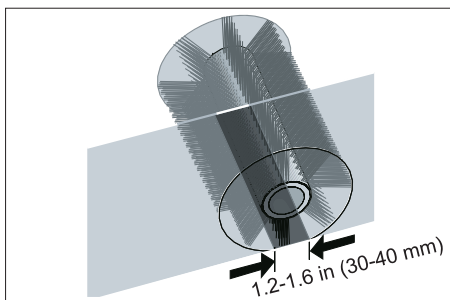
Risque d'endommagement ! Faire attention, à ce qu'aucun poil ne soit pris dans l'orifice du basculement de brosse rotative.

Remarque

Après le montage de la nouvelle brosse rotative, il convient de régler à nouveau la trace de balayage.

Contrôler et régler la trace de balayage

- Soulever la balayeuse à l'avant et la faire avancer sur un sol plan et lisse, visiblement recouvert de poussière ou de craie.
- Serrer le frein de stationnement.
- Faire tourner la brosse rotative pendant 15 à 30 secondes.
- Soulever la balayeuse à l'avant et la mener sur le côté.

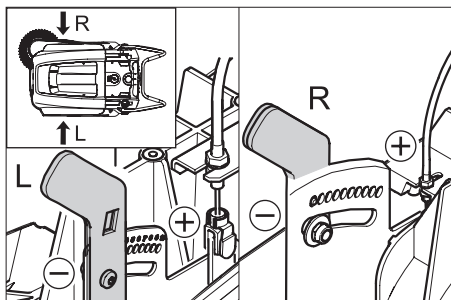


La trace de balayage doit former un rectangle régulier d'une largeur de 1.2 à 1.6 in (30 à 40 mm).

Plage de réglage	(-) 1...10 (+)
Trace de balayage minimale	1
Trace de balayage maximale	10
Nouvelle brosse rotative	1...3

Régler la trace de balayage :

- Régler les leviers de réglage gauche et droit et les enclencher dans le même orifice.



- Enclencher le levier de réglage dans l'orifice le plus profond (+): la trace de balayage gagne en largeur
- Enclencher le levier de réglage dans l'orifice le plus haut (-): la trace de balayage devient plus étroite
- Contrôler la surface de balayage.

Remplacer les balais latéraux

Il est nécessaire de remplacer la brosse lorsque le nettoyage devient moins efficace à cause de l'usure des crins.

Remarque

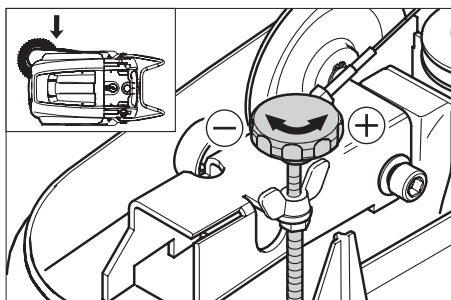
Avant de basculer l'appareil, retirer le bac à poussières et pivoter le guidon de poussée vers l'avant. Ne pas poser l'appareil sur le guidon de poussée.

- Dévisser 3 vis sur le côté inférieur du balai latéral.
- Enlever le balai latéral.
- Fixer un nouveau balai sur l'entraîneur et serrer les écrous.

Régler l'abaissement du balai latéral

Il est nécessaire de procéder à un réglage lorsque le nettoyage devient moins efficace à cause de l'usure des crins.

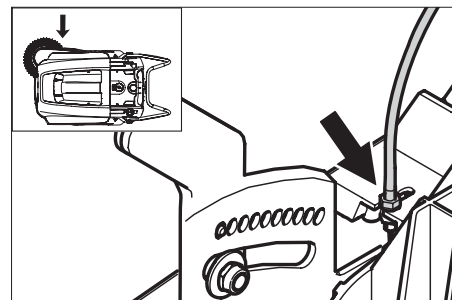
- Desserrer les écrous-papillons.



- Régler la vis de réglage.
- Serrer à fond les écrous-papillons.

Régler le levage de la trappe à gros déchets

- Un réglage est nécessaire quand la trappe à gros déchets ne peut plus être suffisamment levée.
- Lorsque le balayage perd en efficacité, par ex. par usure de la lèvre frontale, le câble Bowden doit être légèrement relâché.



- Desserrer le contre-écrou
- Régler la vis de réglage.
- Serrer le contre-écrou.

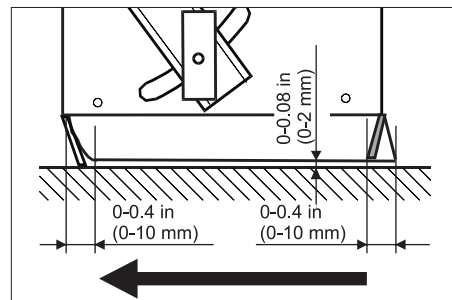
Régler et remplacer les baguettes d'étanchéité

Remarque

Avant de basculer l'appareil, retirer le bac à poussières et pivoter le guidon de poussée vers l'avant. Ne pas poser l'appareil sur le guidon de poussée.

■ **Baguette d'étanchéité avant**

- Dévisser la fixation de la barre d'étanchéité.
- Régler la barre d'étanchéité ou bien la changer



- Régler la baguette avant de sorte qu'elle s'incurve et présente une traînée de 0 à 0.4 in (0 à 10 mm).
- Orienter la baguette d'étanchéité.
- Serrer la fixation de la barre d'étanchéité.

■ **Baguette d'étanchéité arrière**

- Retirer le bac à poussières.
- Dévisser la fixation de la barre d'étanchéité.
- Régler la barre d'étanchéité ou bien la changer
- Régler la baguette avant de sorte qu'elle s'incurve et présente une traînée de 0 à 0.4 in (0 à 10 mm).

- Serrer la fixation de la barre d'étanchéité.

■ **Baguettes d'étanchéité latérales**

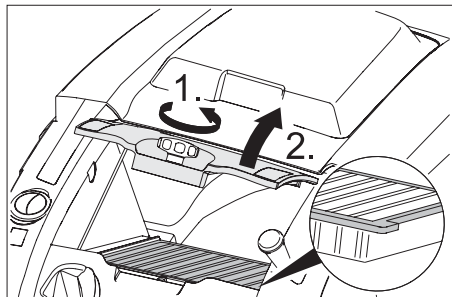
- Dévisser la fixation de la barre d'étanchéité.
- Régler la barre d'étanchéité ou bien la changer
- Insérer une cale d'épaisseur de 0.08 in (2 mm) afin de régler l'écartement avec le sol.
- Orienter la baguette d'étanchéité.
- Serrer la fixation de la barre d'étanchéité.

Remplacer le filtre à poussières

⚠ Danger

Vider le bac à poussières avant de procéder au remplacement du filtre. Porter un masque de protection pour effectuer des travaux de maintenance sur le système de filtration. Respecter les consignes de sécurité concernant la manipulation de fines poussières.

- Serrer le frein de stationnement.
- Nettoyer le filtre à poussières.



- Tourner la vis de serrage du couvercle de filtre à poussière dans le sens inverse aux aiguilles d'une montre.
- Relever le couvercle du filtre à poussière
- Remplacer le filtre à poussières. Respecter la position de montage correcte du filtre à poussière (voir illustration).
- Visser la vis de serrage jusqu'en butée.

⚠ Avertissement

Si la vis de serrage n'est pas vissée jusqu'en butée, des détériorations peuvent survenir.

Remarque

Lors du montage du nouveau filtre, veiller à ne pas endommager les lamelles.

Remplacer les fusibles

Les fusibles se trouvent dans le chargeur.

Accessoires

Balais latéraux, durs	6.905-625.0
------------------------------	--------------------

Pour retirer les salissures adhérant fortement en extérieur, résistante à l'humidité.

Brosse rotative, souple	6.906-886.0
--------------------------------	--------------------

Avec crin naturel spécial pour le balayage des poussières fines sur des sols lisses en intérieur. Pas résistant à l'humidité, par pour les surfaces abrasives.

Brosse rotative, dure	6.906-885.0
------------------------------	--------------------

Pour retirer les salissures adhérant fortement en extérieur, résistante à l'humidité.

Brosse rotative, antistatique	6.906-950.0
--------------------------------------	--------------------

Tapis unité de balayage	2.641-571.0
--------------------------------	--------------------

Comporte : Tamis à peluches, brosse rotative antistatique, 3 fois galets de guidage

Assistance en cas de panne

Panne	Remède
Il est impossible de mettre l'appareil en marche	Fermer le capot.
	Charger les batteries
	Contrôler le fusible de surcharge
	Contacteur le service après-vente Windsor.
Le moteur tourne mais le véhicule reste sur place.	Régler le câble Bowden du mécanisme d'entraînement
	Contrôler la courroie trapézoïdale.
	Contacteur le service après-vente Windsor.
L'appareil s'arrête lors de déplacement sur une montée	Prendre un chemin avec une pente moins abrupte
	Contrôler le fusible de surcharge
	Régler le câble Bowden du mécanisme d'entraînement
	Contrôler la courroie trapézoïdale.
	Contacteur le service après-vente Windsor.
Le balayage n'est pas effectif	Vérifier l'usure de la brosse rotative et des balais latéraux, les remplacer si nécessaire.
	Vérifier le fonctionnement de la trappe à gros déchets
	Relâcher le câble Bowden de la trappe à gros déchets (vis de réglage)
	Contrôler la tension et le fonctionnement des courroies, si nécessaire, les remplacer
	Régler la trace de balayage
	Changer la brosse rotative
	Contacteur le service après-vente Windsor.
De la poussière s'échappe de l'appareil	Vérifier le fonctionnement de la trappe à gros déchets
	Relâcher le câble Bowden de la trappe à gros déchets (vis de réglage)
	Vérifier le filtre à poussières, le nettoyer ou l'échanger
	Vider le bac à poussières
	Remplacer le profilé d'étanchéité sur le bac à poussières
	Contrôler le joint du filtre à poussière
	Contrôler l'usure des baguettes d'étanchéité, régler la hauteur si nécessaire ou les remplacer
Le balayage des bordures n'est pas satisfaisant	Régler l'abaissement du balai latéral
	Changer les balais latéraux
	Abaisser les balayeuses latérales.
	Contrôler les courroies de transmission de la balayeuse latérale
	Contacteur le service après-vente Windsor.
Le levage des balais latéraux ne fonctionne pas	Contrôler le câble Bowden du levage des balais latéraux
	Contacteur le service après-vente Windsor.
Une nouvelle brosse rotative effleure le bac à poussière	Corriger le réglage de la trace de balayage, pour cela enclencher les deux leviers de réglage dans chaque orifice le plus haut (1...3)

Caractéristiques techniques

		Radius 30
Caractéristiques de la machine		
Longueur x largeur x hauteur (anse de poussée relevée)	in (mm)	56.3 x 29.5 x 46.9 (1430 x 750 x 1190)
Longueur x largeur x hauteur (anse de poussée relevée)	in (mm)	45.7 x 29.5 x 36.6 (1160 x 750 x 930)
Poids (sans batteries)	lbs (kg)	174.2 (79)
Poids (avec batteries)	lbs (kg)	275.6 (125)
Vitesse de conduite et de balayage	mph (km/h)	2.8 (4.5)
Pente (max.)	%	12
Diamètre de la brosse rotative	in (mm)	10.4 (265)
Diamètre des balais latéraux	in (mm)	16.1 (410)
Capacité de balayage max.	ft ² /h (m ² /h)	36600 (3400)
Largeur de balayage sans balais latéraux	in (mm)	21.7 (550)
Largeur de travail avec les balais latéraux	in (mm)	29.5 (750)
Volume du bac à poussières	gal (l)	10.6 (40)
Type de protection contre la pluie	--	IPX 3
Moteur		
Type	--	Moteur à courant continu et aimant permanent Sens de rotation droit
Tension	V	24
Courant nominal	A	22
Puissance nominale	W	400
Vitesse de rotation	1/min	2750
Type de protection	--	IP 20
Sécurité électrique		
Central	A	50
Protection anti-déchargement	--	via relais
Système de filtration et d'aspiration		
Surface de filtrage pour poussières fines	ft ² (m ²)	19.4 (1.8)
Catégorie d'utilisation du filtre pour poussières non toxiques	--	L
Dépression nominale du système d'aspiration	psi (kPa)	0.07 (0.5)
Débit volumique nominal du système d'aspiration	gpm (l/s)	712.4 (45)
Conditions environnement		
Température	°F (°C)	23...104 (-5...+40)
Hygrométrie, non-condensée	%	0 - 90
Emissions sonores		
Niveau de pression acoustique (EN 60704-1)	dB(A)	64
Niveau de puissance sonore garanti (2000/14/EC)	dB(A)	81
Vibrations de l'appareil		
Valeur globale de vibrations (ISO 5349)		
Dimensions des membres supérieurs	m/s ²	1.19

Travaux de maintenance

Après le premier mois ou 5 heures de service

- 1 Contrôler le degré d'usure de la brosse rotative et du balai latéral /de la bande de balayage et vérifier l'enroulement des bandes.
- 2 Contrôler la trace de balayage et le fonctionnement de la brosse rotative et du balai latéral / de la bande de balayage.
- 3 Contrôler la tension, l'usure et la fonction des courroies d'entraînement / de la chaîne d'entraînement.
- 4 Contrôler la manoeuvrabilité des câbles sous gaine et des pièces mobiles.
- 5 Vérifier le fonctionnement de tous les éléments de commande et des lampes témoins.

Toutes les 50 heures de service

- 1 Contrôler la tension, l'usure et la fonction des courroies d'entraînement / de la chaîne d'entraînement.
- 2 Contrôler la manoeuvrabilité des câbles sous gaine et des pièces mobiles.
- 3 Contrôler les baguettes d'étanchéité sur le filtre à poussières et le fonctionnement du vibreur de filtre.
- 4 Vérifier le réglage et le degré d'usure des joints dans le domaine de balayage.
- 5 Contrôler la trace de balayage et le fonctionnement de la brosse rotative et du balai latéral / de la bande de balayage.
- 6 Nettoyer le filtre à poussières et le contrôler, si nécessaire le remplacer.
- 7 Contrôler le degré d'usure de la brosse rotative et du balai latéral /de la bande de balayage et vérifier l'enroulement des bandes.
- 8 Vérifier le fonctionnement de tous les éléments de commande et des lampes témoins.

Travaux d'entretien supplémentaires toutes les 100 heures de fonctionnement ou semestriellement.

- 1 Contrôler le degré d'endommagement et d'oxydation des conduites et des contacts .
- 2 Contrôler le jeu de l'axe de différentiel.
- 3 Contrôler le fonctionnement et le réglage du frein de stationnement.
- 4 Contrôler les profilés d'étanchéité sur le bac à poussières et le bloc de brosse rotative.
- 5 Graisser la chaîne d'entraînement.
- 6 Contrôler les batteries selon les indications du fabricant.
- 7 Nettoyer la surface des batteries.

Travaux d'entretien supplémentaires toutes les 500 heures de service ou annuellement.

- 1 Contrôler les balais de charbon du moteur.

Formación del operario

Sólo se permitirá operar un aparato motorizado a personas formadas y autorizadas. Los operarios de aparatos motorizados deberán estar cualificados y tener la capacidad visual, auditiva, física y mental para operar equipos de forma segura de acuerdo con los siguientes puntos.

Formación del operario

Aquel personal que no haya sido formado para trabajar con aparatos motorizados solamente podrán utilizarlos para fines de entrenamiento, y sólo bajo supervisión directa del entrenador. Este entrenamiento deberá ser llevado a cabo en un área alejada de otros aparatos, obstáculos y peatones.

El programa de entrenamiento de operarios incluirá las políticas de usuario del lugar en que la persona que esté haciendo el curso vaya a trabajar con el aparato, las condiciones de funcionamiento de dicha ubicación, y el aparato con el que este trabajará. El curso se ofrecerá a todos los operarios sin tener en cuenta la experiencia previa.

El programa de entrenamiento informará al participante del curso de:

la principal responsabilidad del operario es usar el aparato de forma segura según las instrucciones del programa de entrenamiento.

El programa de entrenamiento deberá hacer especial hincapié en la operación segura y correcta para evitar lesiones al operario y a terceros y evitar daños materiales, y cubrirá las siguientes áreas.

- A Principios fundamentales de aparato(s) motorizados que el participante al curso operará, incluido:
- (1) características de los aparato(s) motorizado(s), incluidas las variaciones entre los aparatos en el lugar de trabajo;
 - (2) similitudes y diferencias con respecto a automóviles;
 - (3) importancia de los datos de la placa identificadora, advertencias e instrucciones aplicables al aparato motorizado;
 - (4) instrucciones de funcionamiento y advertencias del manual de funcionamiento para el aparato e instrucciones para la inspección y mantenimiento que deba realizar el operario;
 - (5) tipo de energía motriz y sus características;
 - (6) método de control;
 - (7) método de freno y características;
 - (8) visibilidad delantera y trasera;
 - (9) características de estabilidad con y sin carga, con o sin complementos;
 - (10) ubicación de controles, funcionamiento, método de operación, identificación de símbolos;
 - (11) recarga de batería;
 - (12) dispositivos de seguridad y protección para el tipo de aparato específico;
 - (13) otras características de la unidad específica;

- B Ambiente de trabajo y su efecto sobre el funcionamiento del aparato, incluido:
- (1) condiciones del pavimento o suelo incluidas condiciones temporales;
 - (2) rampas e inclinaciones;
 - (3) dispositivos de recarga de batería;
 - (4) pasillos estrechos, entradas, cableado elevado y tuberías, y otras áreas de acceso limitado;
 - (5) áreas en las que el aparato trabaje cerca de otros aparatos motorizados, otros vehículos o peatones;
 - (6) trabajo cerca del borde de muelle o superficie elevada;
 - (7) otras condiciones especiales de funcionamiento y problemas que se puedan encontrar.
- C Funcionamiento del aparato motorizado, incluido:
- (1) inspección correcta previa al comienzo del turno y método autorizado para retirar de funcionamiento un aparato que necesite ser reparado o revisado;
 - (2) procedimientos de aparcamiento y apagado;
 - (3) otras condiciones especiales de funcionamiento para el dispositivo específico.
- D Normas y prácticas de seguridad para el funcionamiento, incluido:
- (1) disposiciones de la sección "Normas y prácticas de seguridad para el funcionamiento" en este documento.
 - (2) otras normas, reglas o prácticas especificadas por el empleador en el lugar donde se vaya a poner en funcionamiento el aparato motorizado.
- E Prácticas de entrenamiento de funcionamiento, incluido:
- (1) si es posible, se practicará el funcionamiento del aparato motorizado en un área separada del personal y del lugar donde se realicen actividades de trabajo;
 - (2) las prácticas de entrenamiento se llevarán a cabo bajo la supervisión del entrenador;
 - (3) la práctica de entrenamiento incluirá el funcionamiento en sí o un funcionamiento simulado de todas las tareas tales como maniobra, avance, parada, arranque y otras actividades que se encontrarán en el uso del aparato motorizado.

NORMAS Y PRÁCTICAS DE SEGURIDAD PARA EL FUNCIONAMIENTO

Responsabilidad del operario

El operario es responsable de un funcionamiento seguro.

El operario creará unos hábitos de trabajo seguros y estará al tanto de condiciones peligrosas para protegerse a sí mismo, a otros miembros del personal, el aparato motorizado y otros materiales.

El operario estará familiarizado con el trabajo y funcionamiento de todos los controles e instrumentos antes de poner en funcionamiento el equipo.

Antes de poner en funcionamiento el aparato, los operarios tendrán que leer y estar familiarizados con el manual del operario de la unidad en concreto y también cumplirán con las normas y prácticas de seguridad indicadas en los siguientes párrafos.

Antes de poner en funcionamiento cualquier unidad, el operario se familiarizarán con las condiciones inusuales de funcionamiento que puedan requerir precauciones de seguridad adicionales o instrucciones de funcionamiento especiales.

Generalidades

Antes de poner en marcha el equipo:

- A colocar en la posición de funcionamiento;
- B colocar los controles de dirección en posición neutra;
- C poner el interruptor en posición ON.
- No arrancar ni poner en funcionamiento la unidad, cualquiera de sus funciones o complementos, en otro sitio que no sea la posición designada de operario.
- Mantener las manos y los pies dentro del área de operario designada.
- Comprender las limitaciones de la unidad y poner en funcionamiento la unidad de forma segura para no causar daño al personal. Salvaguardar peatones en todo momento.
- A No conducir el aparato motorizado en dirección a una persona que se encuentre en frente de un objeto.
- B Asegurarse de que el personal se mantiene apartado del área de giro trasera antes de realizar vueltas y maniobras.
- C Poner especial cuidado a la hora de cruzar pasillos, entragas, y otros lugares por los que los peatones puedan pasar poner la ruta del aparato.

Antes de dejar la posición del operario:

- A parar completamente el equipo;
- B colocar los controles de dirección en posición neutra;
- C poner el freno de estacionamiento;
- Además de esto, cuando se deja el aparato desatendido:
- A parar el motor o apagar los controles;
- B si el equipo tiene que estar en una inclinación, bloquear las ruedas.

Mantenerse a una distancia segura del borde de rampas, plataformas y otras superficies de trabajo.

Cuando se suba o baje aparatos motorizados a camiones o remolques de carretera, poner frenos, cuñas a las ruedas u otro tipo de mecanismo para evitar que los camiones o remolques de carretera se muevan de forma no intencionada.

Siempre que se suba o baje aparatos motorizados a tráileres que no estén acoplados a un tractor, puede que sea necesario utilizar apoyos para evitar que se tumben o vaya hacia una esquina.

Informe al supervisor o a la persona indicada de todos los accidentes en el que hayan estado involucrados personal, estructuras del edificio, y equipamiento.

No realice modificaciones ni añadidos al equipo.

No bloquear el acceso a las salidas de emergencias de incendios, escaleras o equipo antiincendios.

Transporte

Respetar todas las normas de circulación incluidos los límites de velocidad autorizados en la planta. En condiciones de tráfico normales, manténgase a la derecha. Mantenerse a una distancia segura, basada en la velocidad de conducción, de la parte delantera del equipo; y tener la unidad bajo control en todo momento.

Ceder el paso a peatones y vehículos de emergencias como ambulancias o camiones de bomberos.

No adelante otro aparato que vaya en la misma dirección en cruces, puntos ciegos u otros lugares peligrosos.

Cruce vías de tren en ángulo siempre que sea posible. No aparcar a menos de 1800 mm de la vía del tren.

Mantener una buena vista del camino por el que conduce y preste atención al tráfico, personal y seguridad.

Subir o bajar inclinaciones lentamente, y con precaución. Evitar dar la vuelta, si es posible, y tener especial precaución en cuestas, rampas o inclinaciones; conducir normalmente en línea recta.

Operar el equipo siempre a una velocidad que permita parar de manera segura.

Arrancar, parar, dar la vuelta y cambiar de dirección con cuidado para no ladear y/o volcar el aparato.

No permita realizar escenas peligrosas ni jugar con el equipo.

Reducir la velocidad en suelos húmedos y resbaladizos.

Antes de conducir sobre un muelle o puente, asegúrese de que esté bien seguro.

Conducta con cuidado y lentamente por el muelle o puente, y no exceda nunca la capacidad indicada.

No conducir el aparato en ningún ascensor a no ser que se haya autorizado específicamente. No exceda la capacidad del ascensor. Acérquese lentamente al ascensor, y entre de forma directa cuando la caja del ascensor esté correctamente en posición. Cuando esté dentro del ascensor, neutralice los controles, apague el interruptor, y ponga los frenos. Se recomienda que todo el personal salga del ascensor antes de que entre el aparato motorizado.

Al sortear curvas, reduzca la velocidad a un nivel seguro de acuerdo con el ambiente de funcionamiento. Sortear las curvas con cuidado.

El funcionamiento manual motorizado requiere una serie de consideraciones de seguridad tal y como se indica a continuación:

A no trabaje nunca con manos engrasadas;

B se recomienda utilizar calzado de seguridad;

C no montarse en el aparato;

D mantenga los pies alejados del bastidor del aparato mientras esté en funcionamiento.

E mantener siempre las manos y los dedos dentro del área protegida del mango de control;

F tenga cuidado cuando avance marcha atrás debido a las características de maniobra;

G tenga cuidado cuando de la vuelta en un pasillo;

H no avance nunca con una velocidad superior a la velocidad de paseo normal (aprox. 3.5 mph [5.6 km/h]);

I coloque siempre ambas manos en el mango de control mientras esté en funcionamiento;

J opere siempre con una mano en los controles.

Cuidados del equipo realizados por el operario

Al comienzo de cada turno y antes de poner en funcionamiento el aparato motorizado, comprobar su estado, prestar especial atención a lo siguiente:

A estado de las ruedas

B si las ruedas son neumáticas, comprobar la presión del aire

C dispositivos de advertencia y seguridad

D luces

E batería

F controles

G cadenas y cables

H interruptores de límites

I mecanismo de control

J objetos adicionales o equipo especial tal y como especifica el usuario y/o fabricante

Si el equipo necesita ser reparado o es inseguro, o favorece una situación insegura, se deberá informar del problema inmediatamente al encargado designado por el usuario, y no se pondrá en funcionamiento el equipo hasta que se recupere el estado de funcionamiento seguro.

Si el equipo se vuelve inseguro de cualquier modo durante su funcionamiento, se deberá informar del problema inmediatamente al encargado designado por el usuario, y no se pondrá en funcionamiento el equipo hasta que se recupere el estado de funcionamiento seguro.

No usar llamas directas cuando se comprueba el nivel de electrolitos en las baterías de almacén.

No realizar reparaciones o ajustes a no ser que se autorizado específicamente.

MANTENIMIENTO Y PRÁCTICAS DE RECONSTRUCCIÓN

El funcionamiento del equipo puede resultar peligroso si no realiza el mantenimiento o se llevan a cabo reparaciones, reconstrucciones o ajustes que no correspondan con

los criterios de diseño del fabricante. Por lo tanto, se deben poner a disposición lugares de mantenimiento (en el mismo local o en otro lugar), personal cualificado, y procedimientos detallados.

El fabricante del aparato motorizado puede suministrar manuales de piezas y mantenimiento.

En casos excepcionales, no incluidos en los manuales anteriormente mencionados, consulte al fabricante del aparato motorizado.

El mantenimiento e inspección de la unidad se realizará de acuerdo con las siguientes prácticas:

A a un mantenimiento planificado, le seguirán lubricación e inspección del sistema: consulte las recomendaciones del fabricante.

B sólo se permitirá realizar mantenimiento, reparaciones, ajustes e inspecciones del equipo a personal formado y autorizado y de acuerdo con las especificaciones del fabricante.

Antes de comenzar la inspección y reparación del aparato motorizado:

A elevar las ruedas del suelo o desconectar la batería y usar cuñas u otros mecanismos positivos para para posicionar el aparato;

B bloquear el chasis antes de trabajar en él;

C desconectar la batería antes de trabajar en el sistema eléctrico;

D el conector del cargador sólo se enchufará en el conector de la batería y nunca en el conector de la unidad.

La puesta en marcha del aparato motorizado para comprobar el funcionamiento se llevará a cabo en un área autorizada segura.

A Antes de poner el marcha el equipo:

(1) colocar en la posición de funcionamiento;

(2) colocar los controles de dirección en posición neutra;

(3) poner el interruptor en posición ON;

(4) comprobar el funcionamiento de los dispositivos de dirección, advertencia y frenos;

B Antes de dejar el equipo:

(1) parar el equipo;

(2) colocar los controles de dirección en posición neutra;

(3) parar el motor o apagar el interruptor;

(4) apagar el circuito de control;

(5) si se tiene que dejar el equipo en una inclinación, bloquear las ruedas.

Evitar los riesgos de incendios y tener equipo de protección de incendios en el área de trabajo. No usar cualquier llama directa para comprobar el nivel que cualquier fluido o comprobar la fuga de cualquier fluido, especialmente electrolitos de la batería. No usar recipientes abiertos de fuel o líquidos inflamables de limpieza para las limpiar las piezas.

Ventilar correctamente el área de trabajo, dejar salir humos de escape, y mantener la tienda limpia y seca.

Los frenos, mecanismos de dirección, control, dispositivos de advertencia, topes de eje articulados, y componentes del bastidor serán inspeccionados cuidadosamente y con regularidad y se mantendrán en condiciones de funcionamiento seguras.

NORMA DE SEGURIDAD CONTRA INCENDIOS

Mantenimiento

Cualquier unidad que no esté en un estado de funcionamiento seguro será retirada de servicio.

Precauciones. No se realizarán reparaciones en ubicaciones de clase I, clase II y clase III.

Sólo se realizarán reparaciones del sistema eléctrico de aparatos a batería cuando esta se haya desconectado.

Temperatura de funcionamiento.. Cuando la temperatura de cualquier pieza de un aparato motorizado es superior a la normal y supone un peligro, se retirará el aparato de servicio y no se volverá a poner en funcionamiento hasta que no se haya solucionado la causa del sobrecalentamiento.

Prevención de incendios. Se mantendrá el equipo limpio y sin pelusas, exceso de aceite y grasa en la medida de lo posible. Es preferible utilizar productos no combustibles para limpiar el equipo. No está permitido utilizar líquidos inflamables [aquellos que tengan puntos de inflamación de o superior a 37,8°C (100°F)]. Se deberá tomar precauciones ante la toxicidad, ventilación e incendios con el producto o disolvente usado.

Visibilidad de la placa identificadora: Las denominaciones de tipo de equipo se indican en la placa identificadora y no se deben cubrir las marcas de tipo con pintura para que no se vea la información de identificación.

Cambiar y cargar las baterías de almacén

Esta sección se refiere a las baterías usadas en los aparatos eléctricos. Los dos tipos de baterías más usados son plomo y níquel-hierro. Contienen soluciones químicas corrosivas, como ácido o álcali y, por lo tanto, representan un peligro químico.

Mientras se cargan, emiten hidrógeno y oxígeno, que, en determinadas concentraciones, son explosivos.

La instalación de carga de batería debe estar ubicada en áreas designadas para este fin; dichas áreas deben estar libres de materiales combustibles externos. Se deberán ofrecer lugares para:

- A tirar electrolitos derramados;
- B Protección anti incendios;
- C proteger el cuerpo de carga de daños ocasionados por el vehículo, y
- D ventilación adecuada para dispersión de humos de baterías gaseantes.

Cuando se usan cargadores a bordo, se deberá realizar la recarga en los lugares designados para ello, y se deberán tener en cuenta las exigencias eléctricas del cargador y los servicios de protección anti incendios.

Excepción: No será necesario disponer de servicio de eliminación si se recarga sin retirar la batería del vehículo.

En los casos en que la concentración de ácido es superior al 50% (por encima de 1400 de gravedad específica) se debe suministrar una fuente para lavar los ojos. Se deberá suministrar un montacargas elevado de transporte, o un dispositivo de manipulación de materiales similar para manipular las baterías.

Los montacargas de cadena deben estar equipados con contenedores de cadena de carga. Cuando se usa un montacargas manual, se cubrirán las baterías descubiertas con una hoja de contrachapado u otro material no conductor para evitar que la cadena manual provoque un cortacircuito en conectores de células o terminales. Se usará una barra esparcidora aislada correctamente con cualquier montacargas elevado. Las baterías reinstaladas o nuevas deberán cumplir o superar el tipo de batería indicado en la unidad. Las baterías reinstaladas deben ser colocadas y aseguradas correctamente en la unidad.

Se suministrará un inclinador de garrafón o sifón cuando se use ácido en garrafones. Cuando se diluya ácido sulfúrico concentrado para hacer electrolitos, SIEMPRE se añadirá el ácido al agua, no a la inversa. El personal de mantenimiento de batería utilizará ropa y gafas de seguridad, manga larga y guantes.

Excepción: quitar y sustituir baterías no requiere el uso de ropa de seguridad.


Sólo personal formado y autorizado cambiará o cargará las baterías.

Las instalaciones eléctricas deben cumplir el NFPA 70, *el código eléctrico nacional*, y todas las normativas locales.

Colocar correctamente el aparato motorizado y poner los frenos antes de cambiar o cargar baterías.

Al cambiar baterías, los tapones de ventilación deben estar en su sitio para evitar pulverizar electrolitos. Se debe poner especial cuidado en asegurar que los tapones de ventilación funcionan. La(s) tapa(s) de la batería (o compartimento) deben estar abiertas para dejar salir el calor y el gas. Está prohibido fumar en la zona de carga. Se deben tomar precauciones para evitar llamas directas, chispas o arcos eléctricos en las zonas de carga de baterías.

Las herramientas y otros objetos metálicos se mantendrán alejados de las partes superiores de las baterías descubiertas.

 Antes de poner en marcha por primera vez el aparato, lea el presente manual de instrucciones y siga las instrucciones que figuran en el mismo. Conserve estas instrucciones para su uso posterior o para propietarios ulteriores. ¡Antes de la primera puesta en marcha lea sin falta las instrucciones de uso y las instrucciones de seguridad n.º 5.956-250!

Índice de contenidos

Indicaciones de seguridad	34
Función	34
Uso previsto	35
Protección del medio ambiente	35
Elementos de operación y funcionamiento	36
Antes de la puesta en marcha	37
Puesta en marcha	38
Funcionamiento	38
Parada	39
Cuidados y mantenimiento	39
Accesorios	41
Ayuda en caso de avería	42
Datos técnicos	43

Indicaciones de seguridad

Indicaciones generales

Si al desembalar el aparato comprueba daños atribuibles al transporte, rogamos se dirija a su vendedor.

- Las placas de advertencia e indicadoras colocadas en el aparato proporcionan indicaciones importantes para un funcionamiento seguro.
- Además de las indicaciones contenidas en este manual de instrucciones, deben respetarse las normas generales vigentes de seguridad y prevención de accidentes.

Manejo

Peligro

Peligro de lesiones

Peligro de vuelco ante pendientes demasiado acentuadas.

- En la dirección de marcha sólo se admiten pendientes de hasta 12%.

Peligro de vuelco ante una base inestable.

- Mueva el aparato únicamente sobre una base firme.

Peligro de vuelco ante una inclinación lateral demasiado pronunciada.

- En sentido transversal a la marcha sólo se admiten pendientes de hasta 12%.
- Deben tenerse en cuenta básicamente las especificaciones y los reglamentos que rigen para los automóviles.
- El usuario debe utilizar el aparato conforme a las instrucciones. Durante los trabajos con el aparato, debe tener en cuenta las condiciones locales y evitar causar daños a terceras personas, sobre todo a niños.
- El aparato sólo debe ser utilizado por personas que hayan sido instruidas en el manejo o hayan probado su capaci-

dad al respecto y a las que se les haya encargado expresamente su utilización.

- Los niños y los adolescentes no deben utilizar el aparato.
- El aparato no debe permanecer jamás sin vigilar mientras el motor esté en marcha. El usuario debe abandonar el equipo sólo con el motor parado, el seguro contra movimientos accidentales colocado y, en caso necesario, con el freno de estacionamiento accionado y sin la llave de encendido.

Aparatos operados con batería

Nota

Tendrá derecho de garantía sólo si utiliza baterías y cargadores recomendados por Windsor.

- Es imprescindible respetar las indicaciones de funcionamiento del fabricante de la batería y del cargador. Es imprescindible respetar las recomendaciones vigentes para la manipulación de baterías.
- No dejar las baterías descargadas, cargarlas de nuevo tan pronto como sea posible.
- Para evitar corrientes de fuga, mantener las baterías siempre limpias y secas. Proteger de suciedades, por ejemplo con polvo de metal.
- No colocar herramientas o similares sobre la batería. Riesgo de cortocircuito y explosión.
- No manipular con llama directa, ni generar chispas o fumar cerca de una batería o en el lugar donde se cargue la batería. Peligro de explosiones.
- No toque componentes calientes, como el motor de accionamiento (peligro de quemaduras).
- Tenga precaución cuando trate con ácido de baterías. ¡Es imprescindible respetar las normativas de seguridad correspondientes!
- Se deben eliminar las baterías usadas respetando el medioambiente y de acuerdo con la normativa de la UE 91/150 CEE o la normativa nacional vigente correspondiente.

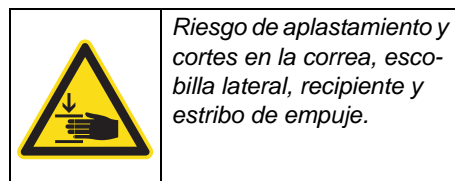
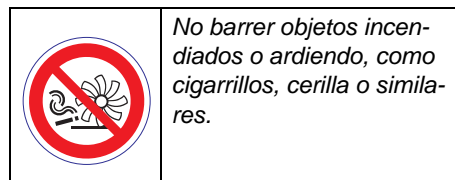
Accesorios y piezas de repuesto

Peligro

Para evitar riesgos, es necesario que las reparaciones y el montaje de piezas de repuesto sean realizados únicamente por el servicio técnico autorizado.

- Sólo deben emplearse accesorios y piezas de repuesto originales o autorizados por el fabricante. Los accesorios y piezas de repuesto originales garantizan el funcionamiento seguro y sin averías del aparato.
- Podrá encontrar una selección de las piezas de repuesto usadas con más frecuencia al final de las instrucciones de uso.

Símbolos en el aparato



Símbolos del manual de instrucciones

Peligro

Indica la presencia de un peligro inminente. El incumplimiento de las indicaciones puede provocar la muerte o lesiones muy graves.

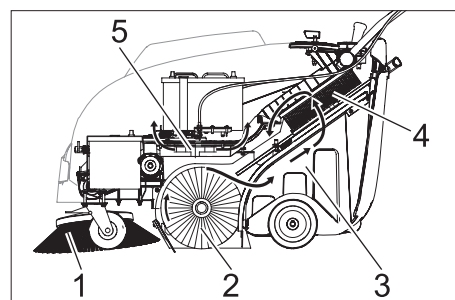
Advertencia

Hace alusión a una situación potencialmente peligrosa. El incumplimiento de las indicaciones puede provocar lesiones leves o daños materiales.

Nota

Muestra consejos de manejo y ofrece información importante.

Función



La escoba mecánica funciona según el principio de rosca.

- Las escobas laterales (1) limpian rincones y bordes de la superficie de barrido y transportan la suciedad hacia la banda del cepillo rotativo.
- El cepillo rotativo (2) transporta la suciedad directamente hacia el depósito de basura (3).
- El polvo arremolinado en el depósito se separa a través del filtro (4), y el aire puro filtrado es succionado por el aspirador (5).

Uso previsto


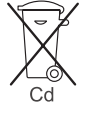
Utilice el aparato únicamente de conformidad con las indicaciones del presente manual de instrucciones.

- ➔ Antes de utilizar el equipo con sus dispositivos de trabajo, compruebe que esté en perfecto estado y que garantice la seguridad durante el servicio. Si no está en perfecto estado, no debe utilizarse.
- Esta escoba mecánica está diseñada para barrer superficies sucias en la zona interior y exterior.
- El aparato no está creado para la limpieza de calles.
- El aparato no es apto para aspirar polvos nocivos para la salud.
- No se debe efectuar ningún tipo de modificación en el aparato.
- ¡No aspire/barra nunca líquidos explosivos, gases inflamables ni ácidos o disolventes sin diluir! Entre éstos se encuentran la gasolina, los diluyentes o el fuel, que pueden mezclarse con el aire aspirado dando lugar a combinaciones o vapores explosivos. No utilice tampoco acetona, ácidos ni disolventes sin diluir, ya que ellos atacan los materiales utilizados en el aparato.
- No aspire/barra objetos incandescentes, con o sin llama.
- El aparato es apto únicamente para los revestimientos indicados en el manual de instrucciones.
- La máquina debe ser conducida únicamente sobre las superficies especificadas por la empresa o su representante.
- Está prohibido permanecer en la zona de peligro. Está prohibido usar el aparato en zonas en las que exista riesgo de explosiones.
- Norma de validez general: Mantenga lejos del aparato los materiales fácilmente inflamables (peligro de explosión/incendio).

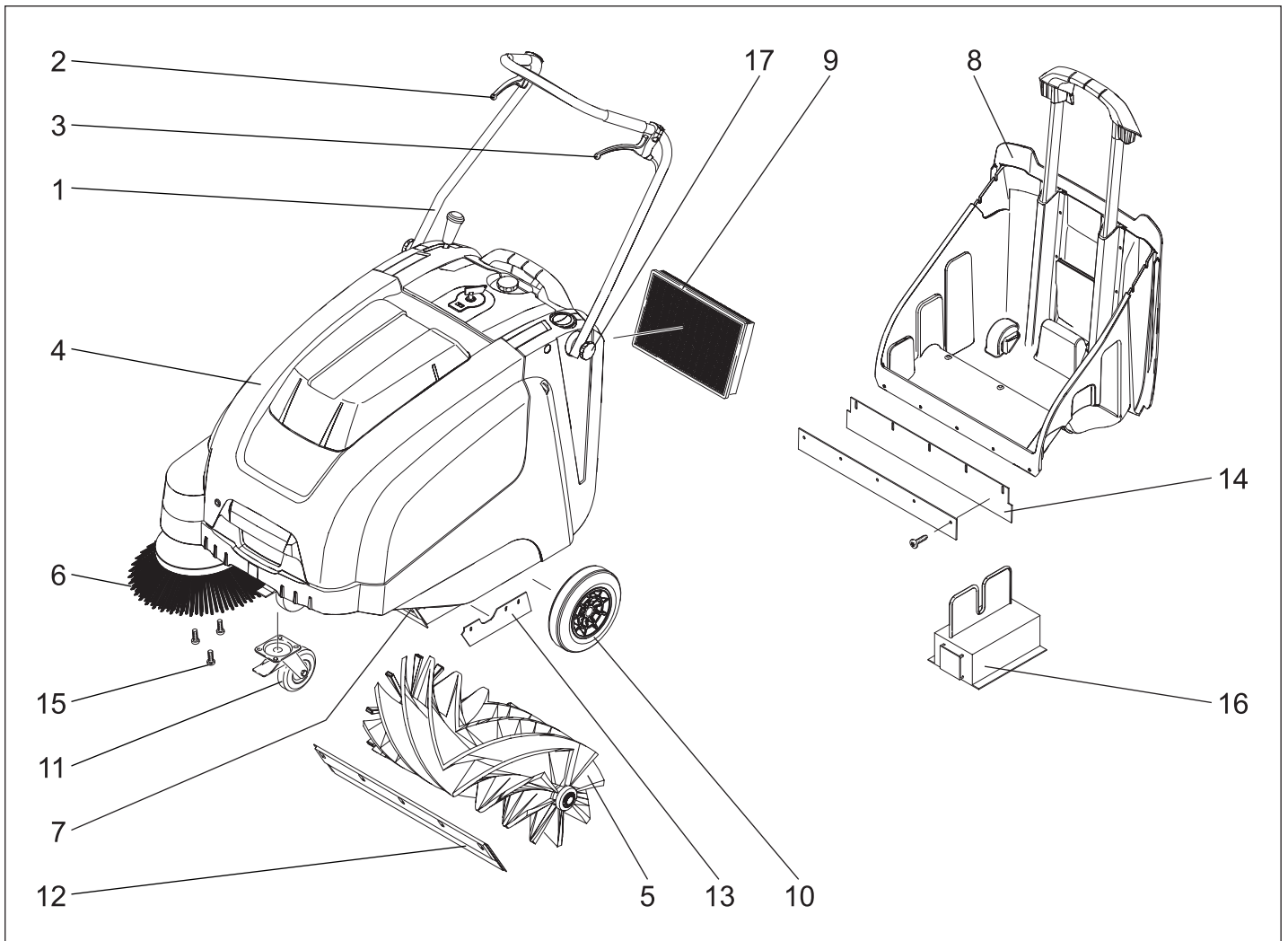
Revestimientos adecuados

- Asfalto
- Piso industrial
- Pavimento
- Hormigón
- Adoquín
- Alfombra

Protección del medio ambiente

	Los materiales empleados para el embalaje son reciclables y recuperables. No tire el embalaje a la basura doméstica y entréguelo en los puntos oficiales de recogida para su reciclaje o recuperación.
	Los aparatos viejos contienen materiales valiosos reciclables que deberían ser entregados para su aprovechamiento posterior. Las baterías y los acumuladores contienen sustancias que no deben entrar en contacto con el medio ambiente. Por este motivo, entregue los aparatos usados, las baterías y acumuladores en los puntos de recogida previstos para su reciclaje.

Elementos de operación y funcionamiento



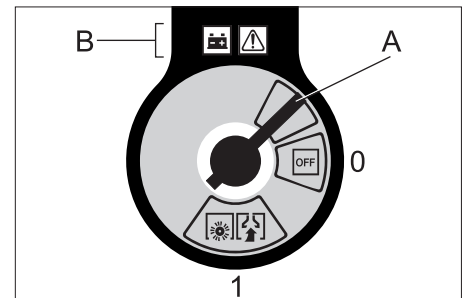
- 1 estribo de empuje
- 2 Palanca para elevar y bajar la tapa para suciedad gruesa
- 3 Palanca para avance hacia delante
- 4 Capó del aparato
- 5 Cepillo rotativo
- 6 escoba lateral
- 7 Tapa de suciedad basta
- 8 Depósito de basura
- 9 filtro de polvo
- 10 Ruedas de accionamiento
- 11 Rodillo-guía con freno de estacionamiento
- 12 Cubrejuntas delantero
- 13 Cubrejuntas laterales
- 14 Cubrejuntas trasera (en el depósito de suciedad)
- 15 Fijación de la escoba lateral
- 16 cargador
- 17 Tornillo de fijación del estribo de empuje

Panel de control



- 1 Interruptor principal
- 2 Palanca para bajar y elevar la escoba lateral
- 3 Tornillo de cierre de la tapa del filtro de polvo
- 4 Estribo de cierre del depósito de basura
- 5 Limpieza de filtro para filtro de polvo
- 6 Tapa de variante en húmedo/en seco

Interruptor principal



0/OFF	Motor desconectado
1	Motor encendido
A	Retire la llave
B	Indicación de batería

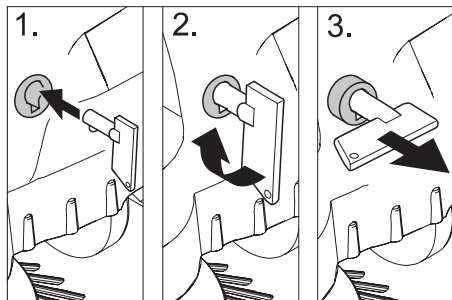
Retire la llave:

Girar hacia afuera la llave del interruptor principal por la posición "0" y extraer.

Abrir el capó del aparato

Nota

El capó del aparato se bloquea con la llave del interruptor principal. La llave sólo se puede quitar cuando el capó del aparato está bloqueado.



- ➔ Introducir la llave del interruptor principal en el cierre del capó y girar 90° en el sentido de las agujas del reloj.
- ➔ Extraer la llave del cierre del capó.
- ➔ Abrir el capó del aparato.

Cierre el capó del aparato

- ➔ Cierre el capó del aparato.
- ➔ Cierre el capó del aparato con la llave del interruptor principal.

Antes de la puesta en marcha

Descarga

Durante la descarga, proceda como se indica a continuación:

- ➔ Retirar la caja.
- ➔ Retirar las cuñas para asegurar las ruedas y elevar el aparato con mano del palet.
- ➔ Suelte el freno de estacionamiento.

Montar el estribo de empuje

- ➔ Suelte los tornillos de fijación.
- ➔ Alinear el estribo de empuje.
- ➔ Apretar los tornillos de fijación.

Montar la escoba lateral

Nota

Antes de bascular el aparato y extraer el depósito de suciedad y girar hacia delante el estribo de empuje. No colocar el aparato sobre el estribo de empuje.

- ➔ Coloque la escoba lateral en el arrastrador y atornille.

Baterías

Indicaciones de seguridad para las baterías

Al manipular baterías, tenga siempre en cuenta las siguientes advertencias:

	Tenga en cuenta las indicaciones presentes en la batería, en las instrucciones de uso y en el manual del vehículo.
	Use protección para los ojos

	Mantenga a los niños alejados del ácido y las baterías
	Peligro de explosiones
	Prohibido hacer fuego, producir chispas, aplicar una llama directa y fumar
	¡Peligro de causticación!
	Primeros auxilios
	Nota de advertencia
	Eliminación de desechos
	No tire la batería al cubo de la basura

⚠ Peligro

Peligro de explosiones. No coloque herramientas u otros objetos similares sobre la batería, es decir, sobre los terminales y el conector de elementos.

⚠ Peligro

Peligro de lesiones. No deje nunca que el plomo entre en contacto con las heridas. Luego de trabajar con las baterías, límpiese siempre las manos.

⚠ Peligro

¡Peligro de incendios y explosiones!

- Está prohibido fumar y exponer el lugar a una llama directa.
- Los lugares en los que se cargue baterías tienen que estar bien ventilador ya que se genera un gas muy explosivo a la hora de cargar.

⚠ Peligro

¡Peligro de causticación!

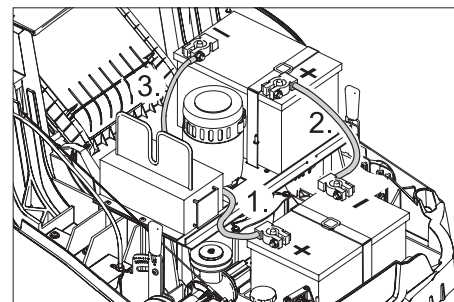
- Enjuagar con agua las salpicaduras de ácido en los ojos o en la piel.
- A continuación llamar inmediatamente al médico.
- Lavar la ropa sucia con agua.

Montaje y conexión de las baterías

- ➔ Abrir el capó del aparato.
- ➔ Colocar las baterías sobre el soporte del motor.
- ➔ Asegurar las baterías con la cinta de sujeción correspondiente.

⚠ Advertencia

Asegúrese de colocar la polaridad correctamente.



- ➔ Conecte el borne de polo (cable rojo) al polo positivo (+).
- ➔ Atornillar el conducto de conexión con las baterías.
- ➔ Conecte el borne de polo al polo negativo (-).

Nota

Al desmontar la batería, verifique que primero se desborne el cable del polo negativo. Controle que los polos y los respectivos bornes tengan suficiente protección mediante grasa.

⚠ Advertencia

Cargar las baterías antes de poner el aparato en funcionamiento.

Cargar las baterías

⚠ Peligro

Peligro por descarga eléctrica. Tener en cuenta la línea eléctrica la protección por fusible. ¡Utilice el cargador únicamente en cuartos secos dotados de suficiente ventilación!

⚠ Peligro

¡Peligro de lesiones! Al manipular baterías, tenga en cuenta las normas de seguridad. Observe las instrucciones del fabricante del cargador.

⚠ Peligro

¡Peligro de lesiones! El aparato sólo se puede poner en funcionamiento si el cable no está dañado. Si el cable está dañado, tiene que ser sustituido inmediatamente por el fabricante, servicio técnico o una persona cualificada.

Nota

El aparato está dotado de serie con baterías que no precisa mantenimiento.

- ➔ Abrir el capó del aparato.
- ➔ Enchufar el cargador en la clavija.

Nota

El cargador está regulado electrónicamente y finaliza el proceso de carga automáticamente. Todas las funciones del aparato se interrumpen automáticamente durante el proceso de carga.

El indicador de la batería muestra el avance del proceso de carga si se tiene el enchufe conectado:



Se están cargando las baterías	se ilumina en amarillo
Las baterías están cargadas	se ilumina en verde



el cargador está defectuoso	se ilumina en rojo
batería de polarización inversa o no conectada	parpadea lentamente en rojo
batería defectuosa	parpadea rápidamente en rojo

Después del proceso de carga

- Desenchufe el cable de red.
- Enrollar el cable sobre el asa del cargador.
- Cierre el capó del aparato.

Puesta en marcha

Indicaciones generales

Nota

Puesta en marcha sólo con el capó del aparato cerrado.

- Coloque la escoba mecánica sobre una superficie plana.
- Apague el motor.
- Active el freno de estacionamiento.

Trabajos de inspección y mantenimiento

- Comprobar el estado de carga de la batería.
- Controle las escobas laterales.
- Controle el cepillo rotativo.
- Limpiar el filtro de polvo.
- Vacíe el depósito de basura.

Nota

Descripción, véase el capítulo "Cuidado y mantenimiento"

Funcionamiento

Puesta en marcha del aparato

- Suelte el freno de estacionamiento.
- Arrancar el motor.
- Girar el interruptor principal en la posición "1".

Nota

Los cepillos rotativos y las escobas laterales giran.

Conducción del aparato

Avance

- Tirar de la palanca para avance hacia delante.

Nota

La velocidad de desplazamiento se puede regular por niveles según la posición de la palanca para desplazamiento hacia delante.

Marcha en vacío

- Soltar de la palanca para avance hacia delante. El aparato se para.

Pasaje por encima de obstáculos

Pasaje por encima de obstáculos fijos de hasta 1.2 in (30 mm):

- Levante la tapa de suciedad basta.
- Pase hacia delante lenta y cuidadosamente.

Pasaje por encima de obstáculos fijos de más de 1.2 in (30 mm):

- Los obstáculos deben superarse sólo con una rampa adecuada.

Servicio de barrido

⚠ Peligro

Peligro de lesiones Cuando la tapa de suciedad basta está abierta, el cepillo rotativo puede arrojar piedras o gravilla hacia delante. Cerciórese de que no exista riesgo para personas, animales u objetos.

⚠ Advertencia

No barra cintas de embalaje, alambres o símilares, ya que ello puede provocar daños en el sistema mecánico.

Nota

Para obtener un óptimo resultado de limpieza, hay que adaptar la velocidad a las particularidades.

Barrido con tapa de suciedad basta levantada

Nota

Para barrer elementos más grandes, con una altura de hasta 2.0 in (50 mm), por ejemplo, cajetillas de tabaco, es necesario levantar brevemente la tapa de suciedad gruesa.

Levante la tapa de suciedad basta:

- Tirar de la palanca para levantar la tapa de suciedad gruesa.

Bajar la tapa de suciedad gruesa:

- Soltar la palanca para levantar la tapa de suciedad gruesa.

Nota

Sólo podrá obtenerse un resultado de limpieza óptimo cuando la tapa de suciedad basta esté completamente abajo.

Barrido con escobas laterales



- Poner la palanca hacia delante para bajar la escoba lateral. La escoba lateral se baja.

Barrido de pisos secos

Nota

Durante el funcionamiento, el depósito de basura debe vaciarse a intervalos regulares.

Nota

Durante el funcionamiento, el filtro de polvo debe limpiarse a intervalos regulares.



- Cerrar la tapa de variante en húmedo/en seco.

Barrido en pisos húmedos o mojados

- Abrir la tapa de variante en húmedo/en seco.

Nota

De este modo, el filtro está protegido contra la humedad.

Indicación de batería

El indicador de la batería muestra el estado de carga de las baterías durante el funcionamiento:



lleno	se ilumina en verde
30% de capacidad restante	se ilumina en amarillo
10% de capacidad restante	parpadeo en rojo
protección contra descarga total, el aparato se apaga	se ilumina en rojo

Limpiar el filtro de polvo



- Mover varias veces el mango de limpieza de filtro de un lado a otro.

Vaciado del depósito de basura

Nota

- Al vaciar el depósito de basura se debe procurar no dañar el cubrejuntas.
- La carga máxima permanente del depósito de suciedad es de 88.2 lbs (40 kg).
- Limpiar el filtro de polvo.
- Tirar hacia arriba del estribo de cierre del depósito de suciedad.
- Extraiga el depósito de suciedad.
- Vacíe el depósito de basura.
- Introducir el depósito de suciedad.
- Presionar hacia abajo el estribo de cierre del depósito de suciedad.

Desconexión del aparato

Apague el motor.

- Girar el interruptor principal en la posición "0".



- Elevar la escoba lateral.

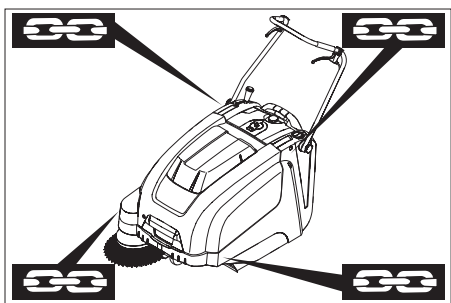
- Active el freno de estacionamiento.
- Girar hacia afuera la llave del interruptor principal por la posición "0" y extraer.

Transporte

⚠ Advertencia

El aparato se debe asegurar para que no se deslice durante el transporte.

- Apague el motor.
- Girar hacia afuera la llave del interruptor principal por la posición "0" y extraer.
- Active el freno de estacionamiento.
- Fije el aparato con calzos en las ruedas.
- Asegure el aparato con cinturones de sujeción o cuerdas.



- 1 Área de fijación sobre el estribo de empuje.
- 2 Área de fijación bajo el capó del aparato

Nota

- Tenga en cuenta las marcas de sujeción en el bastidor base (símbolos de cadenas).
- No doblar los cables Bowden ni los cables de mando.

Parada

Cuando la escoba mecánica no se usa durante un periodo prolongado, tenga en cuenta los siguientes puntos:

- Coloque la escoba mecánica sobre una superficie plana.
- Apague el motor.
- Girar hacia afuera la llave del interruptor principal por la posición "0" y extraer.
- Active el freno de estacionamiento.
- Asegurar la escoba mecánica contra movimientos accidentales.
- Levante el cepillo rotativo. Encajar para ello ambas palancas de ajuste en el orificio superior.
- Elevar la escoba lateral.
- Limpie el aparato por dentro y por fuera.
- Coloque el aparato en un lugar seco y protegido.
- Desemborne las baterías.
- Cargue las baterías aproximadamente cada dos meses.

Cuidados y mantenimiento

Indicaciones generales

- El mantenimiento correctivo debe ser llevado a cabo únicamente por una oficina autorizada de servicio al cliente o por personal especializado, familiarizado con todas las normas de seguridad pertinentes.

- Los equipos ambulantes de uso industrial deben someterse al control de seguridad según la norma VDE 0701.

Limpieza

⚠ Advertencia

¡Peligro de daños en la instalación! La limpieza del aparato nunca se debe llevar a cabo con una manguera o un chorro de agua a alta presión (peligro de cortocircuitos y otros daños).

Limpieza interna del equipo

⚠ Peligro

Peligro de lesiones Utilice máscara antipolvo y gafas protectoras.

- Abrir el capó del aparato.
- Limpie el aparato con un trapo.
- Aplique aire comprimido.
- Cierre el capó del aparato.

Limpieza externa del equipo

- Limpie el aparato con un trapo húmedo, embebido en una solución jabonosa suave.

Nota

No utilice detergentes agresivos.

Intervalos de mantenimiento

Mantenimiento a cargo del cliente

Mantenimiento diario:

- Comprobar el desgaste de los cepillos rotativos y la escoba lateral y si hay cintas enrolladas.
- Compruebe el funcionamiento de todos los elementos de mando.
- Compruebe el funcionamiento de todos los pilotos de control.

Mantenimiento semanal:

- control de la tensión, grado de desgaste y funcionamiento de las correas de accionamiento.
- Compruebe la facilidad de movimiento de las piezas móviles y los cables Bowden.
- Compruebe el ajuste y el grado de desgaste de los cubrejuntas en la zona de barrido.
- Comprobar el nivel de barrido del cepillo rotativo.
- Limpiar el filtro de polvo.

Nota

Descripción, véase el capítulo "Cuidado y mantenimiento"

Nota

Todos los trabajos de servicio y mantenimiento a cargo del cliente deben ser realizados por personal especializado con la debida cualificación. En caso de necesidad, un distribuidor de Windsor siempre estará a disposición para cualquier consulta.

Mantenimiento a cargo del servicio de atención al cliente

Mantenimiento tras 20 horas de servicio:

- Realización de la primera inspección
- Mantenimiento cada 100 horas de servicio
- Mantenimiento cada 300 horas de servicio
- Mantenimiento cada 500 horas de servicio

Nota

Para conservar la garantía, es necesario que durante el tiempo de su vigencia todos los trabajos de servicio y mantenimiento sean llevados a cabo por un servicio técnico autorizado de Windsor conforme al cuaderno de mantenimiento.

Trabajos de mantenimiento

Preparativos:

- Coloque la escoba mecánica sobre una superficie plana.
- Girar hacia afuera la llave del interruptor principal por la posición "0" y extraer.
- Active el freno de estacionamiento.

Indicaciones generales de seguridad

⚠ Peligro

Peligro de lesiones

El motor requiere aprox. 3-4 segundos de marcha por inercia tras la detención. Durante este intervalo de tiempo es imprescindible mantenerse alejado de la zona de accionamiento.

- Al trabajar en la instalación eléctrica, saque el enchufe de batería o desemborne las baterías.
- Antes de realizar cualquier trabajo de mantenimiento y reparación, deje que el aparato se enfríe lo suficiente.
- No toque componentes calientes, como el motor de accionamiento.

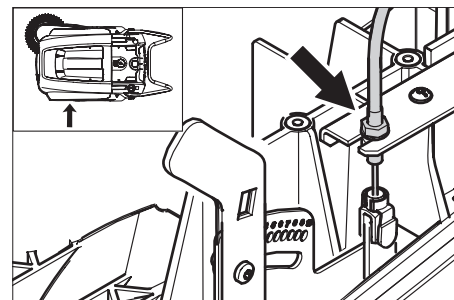
Nota

Antes de bascular el aparato y extraer el depósito de suciedad y girar hacia delante el estribo de empuje. No colocar el aparato sobre el estribo de empuje.

- Antes de realizar tareas de limpieza y mantenimiento o cambiar piezas, se debe desconectar el aparato.

Ajustar el cable Bowden del accionamiento de avance.

Es necesario ajustar cuando al subir una cuesta la fuerza propulsora del aparato no es suficiente.



- Suelte las contratuercas.
- Ajustar el tornillo de ajuste.
- Apriete la contratuerca.

Control del cepillo rotativo

- Active el freno de estacionamiento.
- Extraer el depósito de basura.
- Extraiga las cintas y los cordones del cepillo rotativo.

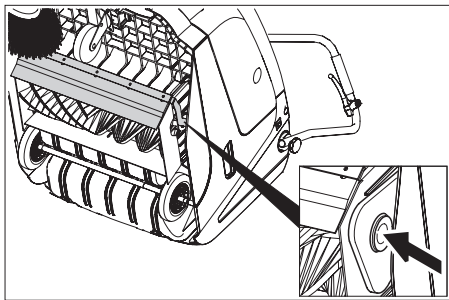
Reemplazo del cepillo rotativo

Es necesario realizar el cambio cuando el resultado del barrido empeora ostensiblemente debido al desgaste de las cerdas.

Nota

Antes de bascular el aparato y extraer el depósito de suciedad y girar hacia delante el estribo de empuje. No colocar el aparato sobre el estribo de empuje.

- Active el freno de estacionamiento.
- Extraer el depósito de basura.
- Inclinar el aparato hacia atrás.



- Levantar la tapa para suciedad gruesa, presionar los cuencos sobre rodamientos y girar hacia delante el cepillo rotativo.
- Quite el cepillo rotativo.
- Insertar un nuevo cepillo rotativo sobre la espiga de transmisión (izquierda).
- Encajar el cuenco sobre rodamientos en el lado opuesto en el orificio de la biela del cepillo rotativo.

⚠ Advertencia

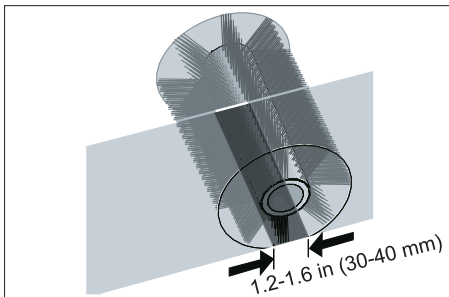
¡Peligro de daños en la instalación! Prestar atención para que no entre ninguna cerda en el orificio de la biela del cepillo rotativo y quede atascada.

Nota

Tras el montaje del nuevo cepillo rotativo, la superficie de barrido debe reajustarse.

Control y ajuste de la superficie de barrido del cepillo rotativo

- Elevar la parte delantera y trabajar con la escoba mecánica sobre un suelo liso y plano, que esté cubierto de forma visible con polvo o arcilla.
- Active el freno de estacionamiento.
- Girar el cepillo rotativo aprox. 15-30 segundos.
- Elevar la parte delantera de la escoba mecánica y desplazar hacia el lateral.

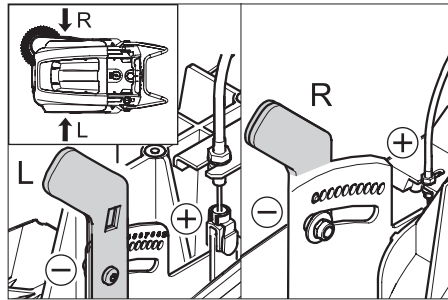


La superficie de barrido forma un rectángulo regular, que tiene entre 1.2 y 1.6 in (30 y 40 mm) de ancho.

Zona de ajuste	(-) 1...10 (+)
Zona de barrido mínimo	1
Zona de barrido máximo	10
Nuevo cepillo rotativo	1...3

Ajuste la superficie de barrido:

- Reajustar la palanca de ajuste izquierda y derecha y encajar en el mismo orificio.



- Encajar la palanca de ajuste en el orificio profundo (+): La superficie de barrido aumenta
 - Encajar la palanca de ajuste en el orificio superior (-): La superficie de barrido disminuye
- Comprobar el nivel de barrido.

Reemplazo de la escoba lateral

Es necesario realizar el cambio cuando el resultado del barrido empeora ostensiblemente debido al desgaste de las cerdas.

Nota

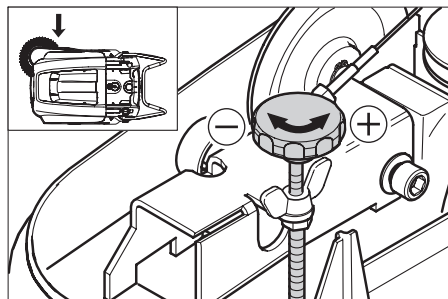
Antes de bascular el aparato y extraer el depósito de suciedad y girar hacia delante el estribo de empuje. No colocar el aparato sobre el estribo de empuje.

- desenroscar 3 tornillos de la parte inferior de la escobilla lateral.
- Extraer la escoba lateral.
- Coloque la escoba lateral nueva en el arrastrador y atornille.

Ajustar la bajada de la escoba lateral

Es necesario reajustar cuando el resultado del barrido empeora ostensiblemente debido al desgaste de las cerdas.

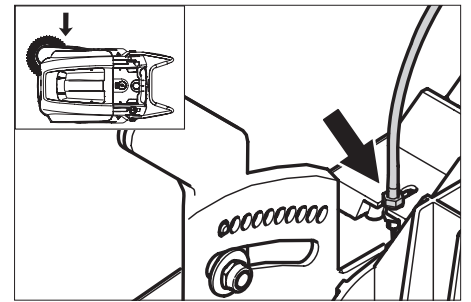
- Suelte las tuercas de mariposa.



- Ajustar el tornillo de ajuste.
- Apriete las tuercas de mariposa.

Ajustar la elevación de la tapa de suciedad gruesa.

- Es necesario reajustar cuando no se puede elevar lo suficiente la tapa de suciedad gruesa.
- Si el resultado de barrido empeora, p.ej. por desgaste del labio delantero, se debe soltar ligeramente el cable Bowden.



- Suelte las contratuercas.
- Ajustar el tornillo de ajuste.
- Apriete la contratuerca.

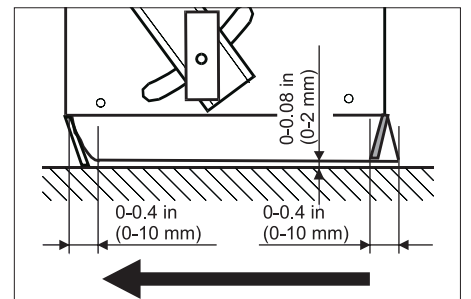
Ajuste y cambio de los cubrejuntas

Nota

Antes de bascular el aparato y extraer el depósito de suciedad y girar hacia delante el estribo de empuje. No colocar el aparato sobre el estribo de empuje.

■ Cubrejuntas delantero

- Aflojar la fijación de la lámina de estanqueidad.
- Reajustar el cubrejuntas o cambiarlo.



- Ajuste la distancia al suelo de manera tal que se pliegue hacia atrás con un juego de 0-0.4 in (0-10 mm).

- Alinee el cubrejuntas.
- Apretar la fijación de la lámina de estanqueidad.

■ Cubrejuntas trasero

- Extraer el depósito de basura.
- Aflojar la fijación de la lámina de estanqueidad.

- Reajustar el cubrejuntas o cambiarlo.
- Ajuste la distancia al suelo de manera tal que se pliegue hacia atrás con un juego de 0-0.4 in (0-10 mm).

- Apretar la fijación de la lámina de estanqueidad.

■ Cubrejuntas laterales

- Aflojar la fijación de la lámina de estanqueidad.

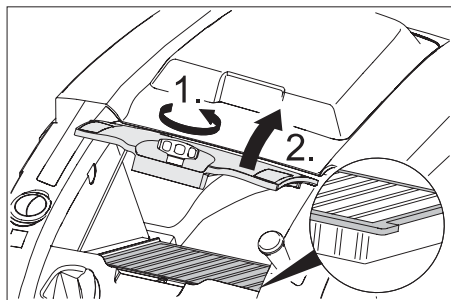
- Reajustar el cubrejuntas o cambiarlo.
- Para ajustar la distancia al suelo, intercale un elemento de máx. 0.08 in (2 mm) de espesor.
- Alinee el cubrejuntas.
- Apretar la fijación de la lámina de estanqueidad.

Cambio del filtro de polvo

⚠ Peligro

Antes de cambiar el filtro de polvo, vacíe el depósito de basura. Para efectuar trabajos en el sistema de filtro, utilice una máscara antipolvo. Observe las normas de seguridad referidas al tratamiento de polvos finos.

- Active el freno de estacionamiento.
- Limpiar el filtro de polvo.



- Girar el tornillo de cierre de la tapa del filtro de polvo en la dirección contraria a las agujas del reloj.
- Levantar la tapa del filtro de polvo.
- Cambio del filtro de polvo. Procurar montar correctamente el filtro de polvo (véase figura).
- Girar el tornillo de cierre hasta el tope.

⚠ Advertencia

Si no se gira el tornillo de cierre hasta el tope, se pueden producir daños.

Nota

En el montaje del nuevo filtro, evitar que se dañen las láminas.

Cambiar el fusibles

Los fusibles se encuentran en el cargador.

Accesorios

Escobilla lateral, dura	6.905-625.0
Para eliminar la suciedad resistente en exteriores, resistente a la humedad.	

Rodillo rotativo suave	6.906-886.0
Con cerdas naturales especialmente para barrer polvo fino en suelos lisos en interiores. No es resistente a la humedad, no apto para superficies abrasivos.	

Rodillo rotativo duro	6.906-885.0
Para eliminar la suciedad resistente en exteriores, resistente a la humedad.	

Cepillo rotativo, antiestático	6.906-950.0
---------------------------------------	--------------------

Unidad de barrido para alfombras	2.641-571.0
Contiene: filtro para pelusas, rodillo rotativo antiestático, rueda triple	

Ayuda en caso de avería

Avería	Modo de subsanarla
No se puede poner en marcha el aparato	Cierre el capó del aparato
	Cargar las baterías
	Comprobar el fusible de sobrecarga
	Póngase en contacto con el servicio técnico de Windsor.
El motor funciona, pero el equipo no se pone en marcha	Ajustar el cable Bowden del accionamiento de avance.
	Comprobar las correas trapezoidales.
	Póngase en contacto con el servicio técnico de Windsor.
El aparato se para al subir por una cuesta	Desplazarse por un camino menos inclinado
	Comprobar el fusible de sobrecarga
	Ajustar el cable Bowden del accionamiento de avance.
	Comprobar las correas trapezoidales.
	Póngase en contacto con el servicio técnico de Windsor.
El aparato no barre bien	Compruebe el grado de desgaste en el cepillo rotativo y las escobas laterales; en caso necesario, realice el cambio
	Compruebe el funcionamiento de la tapa de suciedad basta
	Soltar el cable de Bowden de la tapa de suciedad gruesa (tornillo de ajuste)
	Comprobar la tensión de la correa y su funcionamiento, cambiar si es necesario
	Reajuste la superficie de barrido
	Reemplazo del cepillo rotativo
	Póngase en contacto con el servicio técnico de Windsor.
El aparato levanta polvo	Compruebe el funcionamiento de la tapa de suciedad basta
	Soltar el cable de Bowden de la tapa de suciedad gruesa (tornillo de ajuste)
	Revise el filtro de polvo; límpielo o cámbielo
	Vacíe el depósito de basura
	Cambiar el perfil obturador del depósito de suciedad
	Comprobar la junta del filtro de polvo.
	Compruebe el grado de desgaste en los cubrejuntas; en caso necesario, realice el ajuste o el cambio
Barrido deficiente en los costados	Reajustar la bajada de la escoba lateral
	Reemplace las escobas laterales
	Bajar las escobas laterales
	Comprobar las correas trapezoidales de la escoba lateral
	Póngase en contacto con el servicio técnico de Windsor.
La elevación de la escoba lateral no funciona	Comprobar el cable Bowden de la elevación de la escoba lateral
	Póngase en contacto con el servicio técnico de Windsor.
El nuevo cepillo rotativo roza el depósito de basura	Corregir el ajuste de la zona de barrido, encajar para ello ambas palancas de ajuste en el orificio inmediatamente superior de cada uno (1...3)

Datos técnicos

		Radius 30
Datos del equipo		
Longitud x anchura x altura (estribo de empuje abierto)	in (mm)	56.3 x 29.5 x 46.9 (1430 x 750 x 1190)
Longitud x anchura x altura (estribo de empuje cerrado)	in (mm)	45.7 x 29.5 x 36.6 (1160 x 750 x 930)
Peso (sin baterías)	lbs (kg)	174.2 (79)
Peso (con baterías)	lbs (kg)	275.6 (125)
Velocidad de desplazamiento y barrido	mph (km/h)	2.8 (4.5)
Capacidad ascensional (máx.)	%	12
Diámetro del cepillo rotativo	in (mm)	10.4 (265)
Diámetro de las escobas laterales	in (mm)	16.1 (410)
Potencia máx.	ft ² /h (m ² /h)	36600 (3400)
Anchura de trabajo sin escobas laterales	in (mm)	21.7 (550)
Ancho de trabajo con escoba lateral	in (mm)	29.5 (750)
Capacidad del depósito de basura	gal (l)	10.6 (40)
Clase de protección contra caída de gotas de agua	--	IPX 3
Motor		
Modelo	--	Motor de reluctancia permanente de c.c. Dirección de giro derecha
Tensión	V	24
Corriente nominal	A	22
Potencial nominal	W	400
Número de revoluciones	1/min	2750
Clase de protección	--	IP 20
Fusible de red eléctrico		
Central	A	50
Protección contra la descarga total	--	mediante relé
Sistema de filtrado y aspiración		
Superficie activa del filtro para polvo fino	ft ² (m ²)	19.4 (1.8)
Categoría de aplicación: filtro para polvos no nocivos para la salud	--	L
Depresión nominal del sistema de aspiración	psi (kPa)	0.07 (0.5)
Caudal volumétrico nominal del sistema de aspiración	gpm (l/s)	712.4 (45)
Condiciones ambientales		
Temperatura	°F (°C)	23...104 (-5...+40)
Humedad del aire, sin condensación	%	0 - 90
Emisión sonora		
Nivel de presión acústica (EN 60704-1)	dB(A)	64
Nivel de potencia acústica garantizado (2000/14/CE)	dB(A)	81
Vibraciones del aparato		
Valor total de la vibración (ISO 5349)		
Miembros superiores	m/s ²	1.19

Trabajos de mantenimiento

Tras el primer mes o 5 horas de servicio

- 1 Comprobar el desgaste de los cepillos rotativos y la escoba lateral/cinta barredora y si hay cintas enrolladas.
- 2 Comprobar la superficie de barrido y el funcionamiento del cepillo rotativo y la escoba lateral/cinta barredora.
- 3 control de la tensión, grado de desgaste y funcionamiento de las correas/cadenas de accionamiento.
- 4 Compruebe la facilidad de movimiento de las piezas móviles y los cables Bowden.
- 5 Compruebe el funcionamiento de todos los elementos de mando y los pilotos de control.

Cada 50 horas de servicio

- 1 control de la tensión, grado de desgaste y funcionamiento de las correas/cadenas de accionamiento.
- 2 Compruebe la facilidad de movimiento de las piezas móviles y los cables Bowden.
- 3 Comprobar las cubrejuntas del filtro de polvo y el funcionamiento del vibrador de filtros.
- 4 Compruebe el ajuste y el grado de desgaste de los cubrejuntas en la zona de barrido.
- 5 Comprobar la superficie de barrido y el funcionamiento del cepillo rotativo y la escoba lateral/cinta barredora.
- 6 Limpiar el filtro de polvo e inspeccionar, cambiar si fuese necesario.
- 7 Comprobar el desgaste de los cepillos rotativos y la escoba lateral/cinta barredora y si hay cintas enrolladas.
- 8 Compruebe el funcionamiento de todos los elementos de mando y los pilotos de control.

Trabajos de mantenimiento adicionales cada 100 horas de servicio o semianualmente

- 1 Comprobar si los cables conductores de corriente y los contactos están dañados u oxidados.
- 2 Comprobar la holgura del eje diferencial.
- 3 Comprobar el funcionamiento y ajuste del freno de ajuste.
- 4 Comprobar los perfiles de junta del depósito de suciedad y la caja de cepillos rotativos.
- 5 Engrasar la cadena de accionamiento.
- 6 Inspeccionar las baterías de acuerdo con las indicaciones del fabricante.
- 7 Limpiar la parte superior de las baterías.

Trabajos de mantenimiento adicionales cada 500 horas de servicio o anualmente

- 1 Comprobar las escobillas del motor.

WINDSOR INDUSTRIES

North American New Machine Warranty

Effective on all products shipped AFTER January 24, 2007

Limited Warranty

Windsor Industries, Inc. warrants new machines against defects in material and workmanship under normal use and service to the original purchaser. Any statutory implied warranties, including any warranty of merchantability or fitness for a particular purpose, are expressly limited to the duration of this written warranty. Windsor will not be liable for any other damages, including but not limited to indirect or special consequential damages arising out of or in connection with the furnishing, performance, use or inability to use the machine. This remedy shall be the exclusive remedy of the

buyer. The warranty period is subject to the conditions stated below.

10 / 3 Warranty: 10 Years Polyethylene (PE) Housings, 3 Years Parts, and Service Labor

Subject to conditions outlined below, Windsor Industries warrants rotationally molded PE housings and parts on all of its machines to be free from defects in material and workmanship, under normal use and service for ten (10) years to the original owner.

Under this warranty we guarantee the performance of non-polyethylene parts and components to be free from defects for up

to three (3) years or up to 2,500 hours of operation, whichever comes first, to the original end user. Parts replaced or repaired under this warranty are guaranteed for the remainder of the original warranty period. (See table below)

Service labor charges are covered for up to three (3) years or up to 2,500 hours of operation, whichever comes first, from the date of purchase through authorized Windsor service provider. No travel coverage is extended for cord-electric models. See table below for each general product model warranty coverage.

Product	PE Housing & Parts	Non- PE Parts	Service Labor	Travel
Rider / Stand up Scrubbers	10 years	3 years or 2000 hours	3 years or 2000 hours	6 Months
Rider Sweepers	10 years	3 years	3 years	6 Months
Walk Behind Scrubbers	10 years	3 years or 2500 hours	3 years or 2500 hours	6 Months
Walk Behind Sweepers	10 years	3 years	3 years	6 Months
Battery Burnishers	10 years	3 years	3 years	6 Months
Extractors / Compass	10 years	3 years	3 years	-
Polishers / Elec. Burnishers / GH	10 years	3 years	3 years	-
Wide Areas Vacuums	10 years	3 years	3 years	-
VacPak Vacuums	10 years	1 year	1 year	-
Tracer/Flex Sweepers/Scrubbers	10 years	3 years	3 months	90 days
Air Movers / Dri-matic / TITAN™ /Rombus/Priza	1 year	1 year	1 year	-
Canister Vacuum	1 year	1 year	1 year	-
Wet/Dry Vacuum	1 year	1 year	1 year	-
Broom	1 year	1 year	1 year	-
Steamer	1 year	1 year	1 year	-
Propane Burnishers / Strippers	-	2 years	1 year	-

VERSAMATIC® / FLEXAMATIC®	Brush motor, Vacuum motor, Belts, Swivel Neck – 3 years	All other parts/Labor – 1 year
SENSOR®	Vacuum motor, Belts – 2 years	All other parts/Labor – 1 year

Product exceptions and Exclusions:

- Extractor brush motors, **ALL** pump motors, **ALL** PC boards and electronics, **ALL** Vacuum motors (other than VERSAMATIC®, SENSOR® and FLEXAMATIC®), **ALL** pumps, and diaphragms/Tank bags carry a one (1) year parts and service labor warranty.
- The Eagle-Robin® engines have three (3) year manufacturer's warranty. The Honda® and Kawasaki® engines have two (2) year manufacturer's warranty. **NOTE:** The engine warranty is administered through the engine manufacturer

and must be repaired at an authorized service center.

Normal wear items and accessories including, but not limited to, belts, brushes, FLEXAMATIC® foot pedal, capacitors, carbon brushes, casters, clutches, cords, filters, finishes, gaskets, hoses, light bulbs, rectifiers, switches, squeegees, bearings, pulleys, relays, actuating cables, wheels, tires, and propane tanks will be warranted for manufacturing defects for 90-days from the purchase date. The warranty commences on the purchase date by the original end user from an authorized Windsor agent,

subject to proof of purchase. The Machine Registration Card must be completed and returned immediately at the time of purchase. If proof of purchase cannot be identified, the warranty start date is 90 days after the date of sale to an authorized Windsor distributor. Parts replaced or repaired under warranty are guaranteed for the remainder of the original warranty period.

90 Day Warranty Extension Available

Upon receipt of the Machine Registration Card, Windsor will extend by 90 days, from the date of purchase, all items included under the one-year provision. This applies only to one-year items and does not include 90-day wear items.

This Warranty Shall Not Apply To:

- 1 Any product that has been subject to abuse, misuse, neglect or unauthorized alteration (including the use of incompatible or corrosive chemicals or overloading of capacity).
- 2 Products that have experienced shipping or freight damage.
- 3 Repairs necessary to correct any failure due to improper pre-delivery service and inspection by the selling dealer.
- 4 Excessive time for cleaning units in preparation for repair.
- 5 Any repairs resulting from poor initial service work or improper diagnosis.
- 6 Tune-up parts such as plugs, plug wires and condensers.
- 7 Any design alterations performed by an organization not authorized or specified by Windsor.
- 8 Battery and charger warranties are handled directly with the manufacturer (Trojan® batteries and Lester® chargers).
- 9 High-pressure washing
- 10 Electrical components exposed to moisture.

If difficulty develops during the warranty period, contact the authorized Windsor agent from whom the product was purchased. Windsor Industries, Inc. may elect to require the return of components to validate a claim. Any defective part to be returned must be shipped freight prepaid to an authorized Windsor Distributor/Service Center or to the Windsor factory.

Use Of Parts Not Approved By Windsor Industries, Inc. Will Void All Warranties

This warranty is valid only for all products Shipped/Sold **AFTER** January 24, 2007. A product sold before that date shall be covered by the limited warranty in effect at the date of sale to the original purchaser.

Windsor Industries reserves the right to change its warranty policy without notice – 98864-Rev7 01/24/07

Windsor Industries, Inc. - a Castle Rock Industries company - 1351 W. Stanford Ave.
/ (303) 762-1800 / 800-444-7654 / FAX
(303) 865-2775

Radius 30

Radius 30
1.049-203.0

