

# NUWAVE

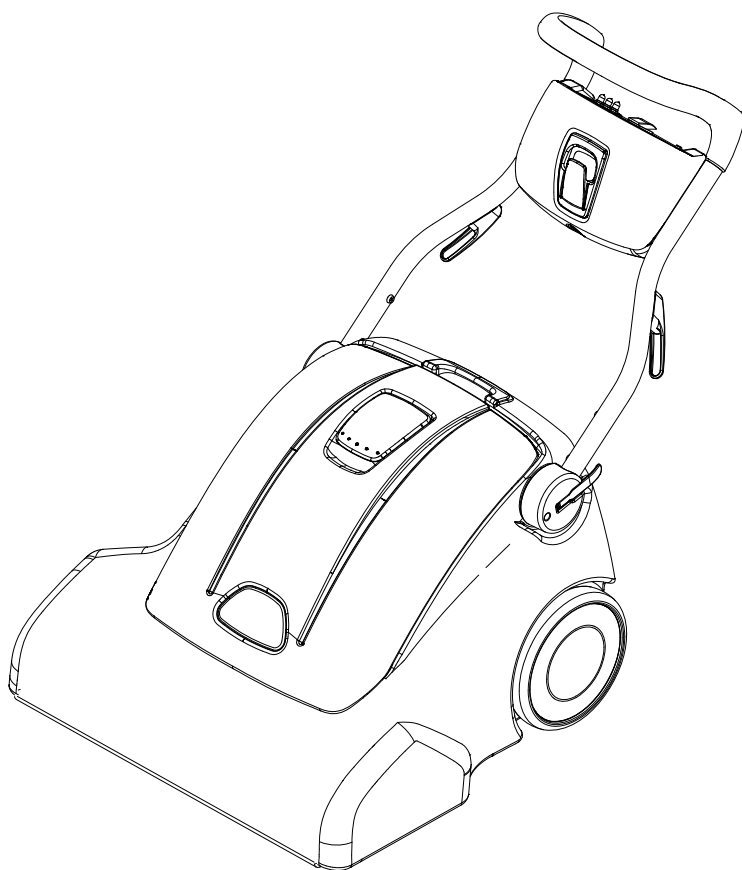


## Wide Area Vacuum

Operating instructions (ENG)

**MODELS:**

- NW**  
**10125330**
- NWIFE**  
**10125340**
- NUWAV UA**  
**10125360**



Read these instructions before using the machine.



Model: \_\_\_\_\_

Date of Purchase: \_\_\_\_\_

Serial Number: \_\_\_\_\_

Dealer: \_\_\_\_\_

Address: \_\_\_\_\_

Phone Number: \_\_\_\_\_

Sales Representative: \_\_\_\_\_

**Overview**

The **NuWave™** is a electric motor powered, wide area vacuum intended for commercial use. The **NuWave™** brushes and vacuums debris from carpeted surfaces and stores the collected debris in vacuum bags.

**Warranty Registration**

Thank you for purchasing a Windsor product. Warranty registration is quick and easy. Your registration will allow us to serve you better over the lifetime of the product.

To register you product go to :  
[www.windsorind.com/WarrantyRegistration.aspx](http://www.windsorind.com/WarrantyRegistration.aspx)

For customer assistance:  
1-800-444-7654



**Machine Data Log/Overview** . . . . . 2  
  Overview . . . . . 2  
**Table of Contents** . . . . . 3  
**How To Use This Manual** . . . . . 4

**Safety**

IMPORTANT SAFETY INSTRUCTIONS . . . . . 5  
HAZARD INTENSITY LEVEL . . . . . 7  
GROUNDING INSTRUCTIONS . . . . . 9  
SAFETY LABEL LOCATION . . . . . 10

**Operations**

Technical Specifications . . . . . 11  
Controls & Componets . . . . . 12  
Set Up . . . . . 14  
How It Operates . . . . . 15  
Cleaning . . . . . 15

**Maintenance**

Components . . . . . 16  
Brush Deck . . . . . 17  
Brush Replacement . . . . . 17  
Belt Replacement . . . . . 18  
Remove Vac Motor And Filters . . . . . 20  
Daily Maintenance . . . . . 21  
Regular/periodic Maintenance . . . . . 21  
Service Schedule . . . . . 22

**Parts**

Brush Deck . . . . . 24  
Brush Motor . . . . . 26  
Control Panel . . . . . 28  
Cover . . . . . 30  
Decal . . . . . 32  
Frame . . . . . 34  
Handle . . . . . 36  
Housing . . . . . 38  
Vacuum . . . . . 40  
Wiring Diagram - 120V . . . . . 42  
Wiring Diagram - 230V . . . . . 44  
Suggested Spare Parts . . . . . 46  
Holster - Optional . . . . . 48  
Serial Numbers . . . . . 50

## How To Use This Manual

This manual contains the following sections:

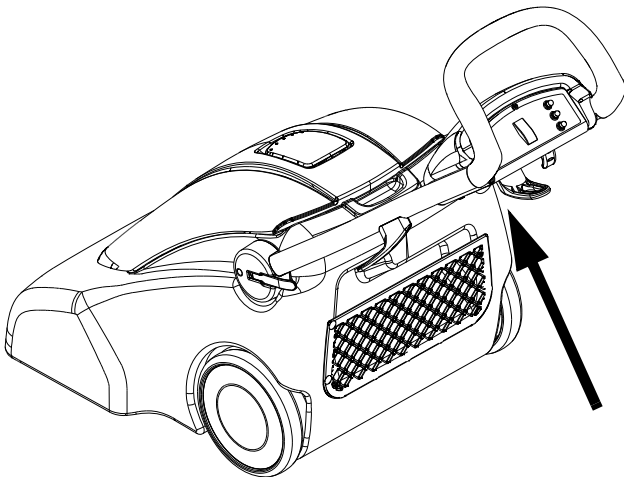
- -HOW TO USE THIS MANUAL
- -SAFETY
- -OPERATIONS
- -MAINTENANCE
- -PARTS LIST

The HOW TO USE THIS MANUAL section will tell you how to find important information for ordering correct repair parts.

Parts may be ordered from authorized Windsor dealers. When placing an order for parts, the machine model and machine serial number are important. Refer to the MACHINE DATA box which is filled out during the installation of your machine. The MACHINE DATA box is located on the inside of the front cover of this manual.

Model:	_____
Date of Purchase:	_____
Serial Number:	_____
Dealer:	_____
Address:	_____
Phone Number:	_____
Sales Representative:	_____

The model and serial number of your machine are located on the underside of the control panel.



The SAFETY section contains important information regarding hazard or unsafe practices of the machine. Levels of hazards are identified that could

result in product or personal injury, or severe injury resulting in death.

The OPERATIONS section is to familiarize the operator with the operation and function of the machine.

The MAINTENANCE section contains preventive maintenance to keep the machine and its components in good working condition. They are listed in this general order:

- -Belt/Brush Motor
- -Vac Motor and Filters
- -Vac Motor Carbon Brushes
- -Daily Maintenance
- -Regular/Periodic Maintenance

The PARTS LIST section contains assembled parts illustrations and corresponding parts list. The parts lists include a number of columns of information:

- REF - column refers to the reference number on the parts illustration.
- PART NO. - column lists the part number for the part.
- PRV NO. - Reference number.
- QTY - column lists the quantity of the part used in that area of the machine.
- DESCRIPTION - column is a brief description of the part.
- SERIAL NO. FROM - If this column has an (\*) and a Reference number, see the SERIAL NUMBERS page in the back of your manual. If column has two asterisk (\*\*), call manufacturer for serial number. The serial number indicates the first machine the part number is applicable to. The main illustration shows the most current design of the machine. When a boxed illustration is shown, it displays the older design.
- NOTES - column for information not noted by the other columns.

**NOTE:** If a service or option kit is installed on your machine, be sure to keep the KIT INSTRUCTIONS which came with the kit. It contains replacement parts numbers needed for ordering future parts.

**NOTE:** The manual part number is located on the lower left corner of the front cover.

## IMPORTANT SAFETY INSTRUCTIONS

**When using an electrical appliance, basic precaution must always be followed, including the following:**

**READ ALL INSTRUCTIONS BEFORE USING THIS MACHINE.**

** WARNING:** To reduce the risk of fire, electric shock, or injury:

Use only indoors. Do not use outdoors or expose to rain. This machine is for dry use only.

Use only as described in this manual. Use only manufacturer's recommended components and attachments.

If the machine is not working properly, has been dropped, damaged, left outdoors, or dropped into water, return it to an authorized service center.

Do not operate the machine with any openings blocked. Keep openings free of debris that may reduce airflow.

This machine is not suitable for picking up hazardous dust.

Machine can cause a fire when operating near flammable vapors or materials. Do not operate this machine near flammable fluids, dust or vapors.

This machine is suitable for commercial use, for example in hotels, schools, hospitals, factories, shops and offices for more than normal housekeeping purposes.

Maintenance and repairs must be done by qualified personnel.

During operation, attention shall be paid to other persons, especially children.

The machine shall only be operated by instructed and authorized persons.

Do not handle the plug or machine with wet hands.

Do not unplug machine by pulling on cord. To unplug, grasp the plug, not the cord.

Do not use with damaged cord or plug. Follow all instructions in this manual concerning grounding the machine.

Do not pull or carry by cord, use cord as a handle, close a door on cord, or pull cord around sharp edges or corners.

Do not pull/run machine over cord. Keep cord away from heated surfaces.

Do not use to pick up flammable or combustible liquids, such as gasoline, or use in areas where they may be present.

Do not operate without dust bag and filter in place.

Do not pick up anything that is burning or smoking, such as cigarettes, matches, or hot ashes.

Connect to a properly grounded outlet. See Grounding Instructions.

## SAVE THESE INSTRUCTIONS

## IMPORTANTES MESURES DE SÉCURITÉ

### L'utilisation d'un appareil électrique demande certaines précautions:

LIRE TOUTES LES INSTRUCTIONS AVANT DE FAIRE FONCTIONNER (CET APPAREIL).

**⚠ Avertissement:** Pour réduire les risques d'incendie, de choc électrique ou de blessure:

N'utiliser cette machine qu'en intérieur. Ne jamais l'utiliser à l'extérieur ou dans la pluie.

N'utiliser cette machine que comme décrit dans le présent manuel. N'utiliser que les composants et les accessoires conseillés par le fabricant.

Lorsque la machine ne fonctionnant pas correctement, a fait l'objet d'une chute ou d'une détérioration, a été laissée à l'extérieur, est tombée dans l'eau, la retourner au centre de service agréé.

Ne pas opérer la machine lorsque les conduits de ventilation sont bloqués. Débarrasser les débris des conduits, car ils peuvent réduire l'écoulement d'air.

Cette machine n'est pas adaptée au ramassage de poussières dangereuses.

Cette machine peut provoquer un incendie lorsqu'elle est utilisée près de vapeurs ou de matériaux inflammables. Ne pas l'utiliser près de liquides, de poussières ou de vapeurs inflammables.

Cette machine est destinée à un usage commercial. Elle est recommandée davantage pour les domaines hôtelier, scolaire, hospitalier, industriel ou pour les bureaux, les chaînes de magasin, que pour un usage domestique normal.

L'entretien et les réparations de la machine doivent être effectuées par un personnel qualifié.

Durant la manoeuvre de la machine, prendre garde aux personnes environnantes et notamment aux enfants.

Lorsque la machine est laissée sans surveillance, s'assurer qu'elle ne se déplace pas de manière accidentelle.

Cette machine ne doit être manoeuvrée que par un personnel expérimenté et qualifié.

Lorsque la machine est laissée sans surveillance, la mettre hors tension ou verrouiller l'interrupteur principal afin d'empêcher un emploi non autorisé.

Ne pas toucher la fiche ou l'appareil lorsque vos mains sont humides.

Ne pas débrancher en tirant sur le cordon. Tirer plutôt la fiche.

Ne pas utiliser si le cordon ou la fiche est endommagé

Ne pas tirer soulever ou traîner l'appareil par le cordon. Ne pas utiliser le cordon comme une poignée, le coincer dans l'embrasure d'une porte ou l'appuyer contre des arêtes vives ou des coins.

Ne pas faire rouler l'appareil sur le cordon. Garder le cordon à l'écart des surfaces chaudes.

Ne pas utiliser pour ramasser des liquides inflammables ou combustibles, tels que l'essence ; ne pas utiliser dans les zones où ceux-ci peuvent être présents.

Ne pas utiliser sans sac à poussière et filtre en place.

Ne pas ramasser quelque chose qui brûle ou fume, comme des cigarettes, des allumettes ou des cendres chaudes.

Cet appareil ne doit être connecter qu'à des prises ayant une sortie de terre. Se reporter aux instructions de mise

## CONSERVER CES INSTRUCTIONS

The following symbols are used throughout this guide as indicated in their descriptions:

## HAZARD INTENSITY LEVEL

There are three levels of hazard intensity identified by signal words **-WARNING** and **CAUTION** and **FOR SAFETY**. The level of hazard intensity is determined by the following definitions:

### **WARNING:**

**WARNING** - Hazards or unsafe practices which COULD result in severe personal injury or death.

### **CAUTION:**

**CAUTION** - Hazards or unsafe practices which could result in minor personal injury or product or property damage.

### ***FOR SAFETY: To Identify actions which must be followed for safe operation of equipment.***

Report machine damage or faulty operation immediately. Do not use the machine if it is not in proper operating condition. Following is information that signals some potentially dangerous conditions to the operator or the equipment. Read this information carefully. Know when these conditions can exist. Locate all safety devices on the machine. Please take the necessary steps to train the machine operating personnel.

### ***FOR SAFETY:***

**DO NOT OPERATE MACHINE:**

Unless Trained and Authorized.

Unless Operation Guide is Read and understood.

In Flammable or Explosive areas.

In areas with possible falling objects

### ***WHEN SERVICING MACHINE:***

Avoid moving parts. Do not wear loose clothing; jackets, shirts, or sleeves when working on the machine. Use Windsor approved replacement parts.

Les symboles ci-dessous sont utilisés à travers ce manuel comme illustré dans leurs descriptions :

## DEGRÉS DE RISQUES EN CAS DE DANGER

Il existe trois degrés de risques identifiés par les termes signalétiques -**AVERTISSEMENT** et **ATTENTION** et **POUR VOTRE SÉCURITÉ**. Le degré de risque est défini de la manière suivante :

### **AVERTISSEMENT:**

**AVERTISSEMENT** - Dangers ou méthodes dangereuses qui **POURRAIENT** provoquer de graves blessures ou entraîner la mort.

### **ATTENTION:**

**ATTENTION** - Dangers ou méthodes dangereuses qui pourraient provoquer des blessures légères ou une détérioration du produit ou des biens immobiliers.

### ***POUR VOTRE SÉCURITÉ : ce signe permet d'identifier les mesures de précaution à prendre pour assurer un bon fonctionnement du matériel.***

Rendre compte immédiatement d'une défaillance ou d'une détérioration de la machine. Ne pas utiliser la machine si celle-ci ne fonctionne pas correctement. Lire soigneusement les informations ci-dessous signalant certains dangers potentiels pour l'opérateur de la machine. L'opérateur doit être absolument au courant de ces dangers potentiels. Localiser tous les dispositifs de sécurité sur la machine. Il est conseillé de prendre les mesures nécessaires pour former le personnel opérateur.

### ***POUR VOTRE SÉCURITÉ :***

**NE PAS MANOEUVRER LA MACHINE :**

Lorsqu'on n'est pas expérimenté ou qualifié.

Lorsque le guide d'utilisation n'est pas été lu ou compris.

Dans des zones inflammables ou explosives.

Dans des zones où des objets peuvent tomber.

### ***LORS DE L'ENTRETIEN DE LA MACHINE :***

Éviter les parties amovibles. Ne pas porter de vêtements amples, tels que des vestes, des chemises ou des vêtements avec manches lors de l'utilisation de la machine. Utiliser les pièces détachées Windsor homologuées.



## GROUNDING INSTRUCTIONS

### THIS PRODUCT IS FOR COMMERCIAL USE ONLY.

#### ELECTRICAL:

The amp, hertz, and voltage are listed on the data label found on each machine. Using voltages above or below those indicated on the data label will cause serious damage to the motors.

#### EXTENSION CORDS:

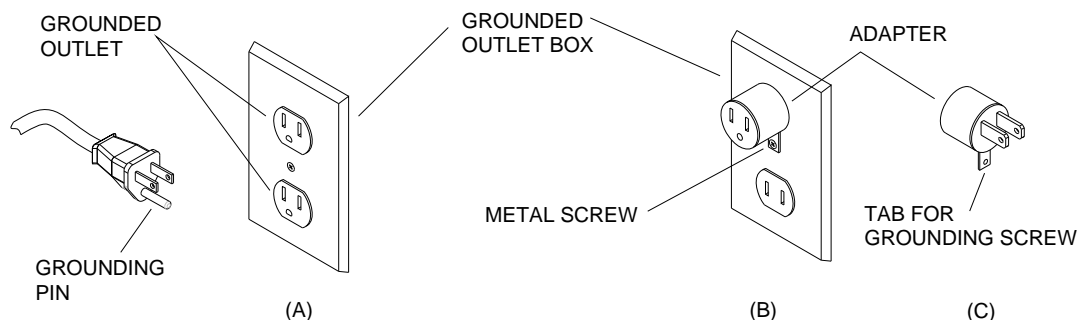
If an extension cord is used, the wire size must be at least one size larger than the power cord on the machine, and must be limited to 50 feet (15.5m) in length.

#### GROUNDING INSTRUCTIONS:

This appliance must be grounded. If it should malfunction or break down, grounding provides a path of least resistance for electric current to reduce the risk of electric shock. This appliance is equipped with a cord having an equipment-grounding conductor and grounding plug. The plug must be inserted into an appropriate outlet that is properly installed and grounded in accordance with all local codes and ordinances.

#### 120 VOLT MODELS:

This appliance is for use on a nominal 120-volt circuit, and has a grounded plug that looks like the plug in "Fig. A". A temporary adaptor that looks like the adaptor in "Fig. C" may be used to connect this plug to a 2-pole receptacle as shown in "Fig. B", if a properly grounded outlet is not available. The temporary adaptor should be used only until a properly grounded outlet (Fig. A) can be installed by a qualified electrician. The green colored rigid ear, lug, or wire extending from the adaptor must be connected to a permanent ground such as a properly grounded outlet box cover. Whenever the adaptor is used, it must be held in place by a metal screw.



### ⚠ WARNING:

*Improper connection of the equipment-grounding conductor can result in a risk of electric shock. Check with a qualified electrician or service person if you are in doubt as to whether the outlet is properly grounded. Do not modify the plug provided with the appliance - if it will not fit the outlet, have a proper outlet installed by a qualified electrician.*

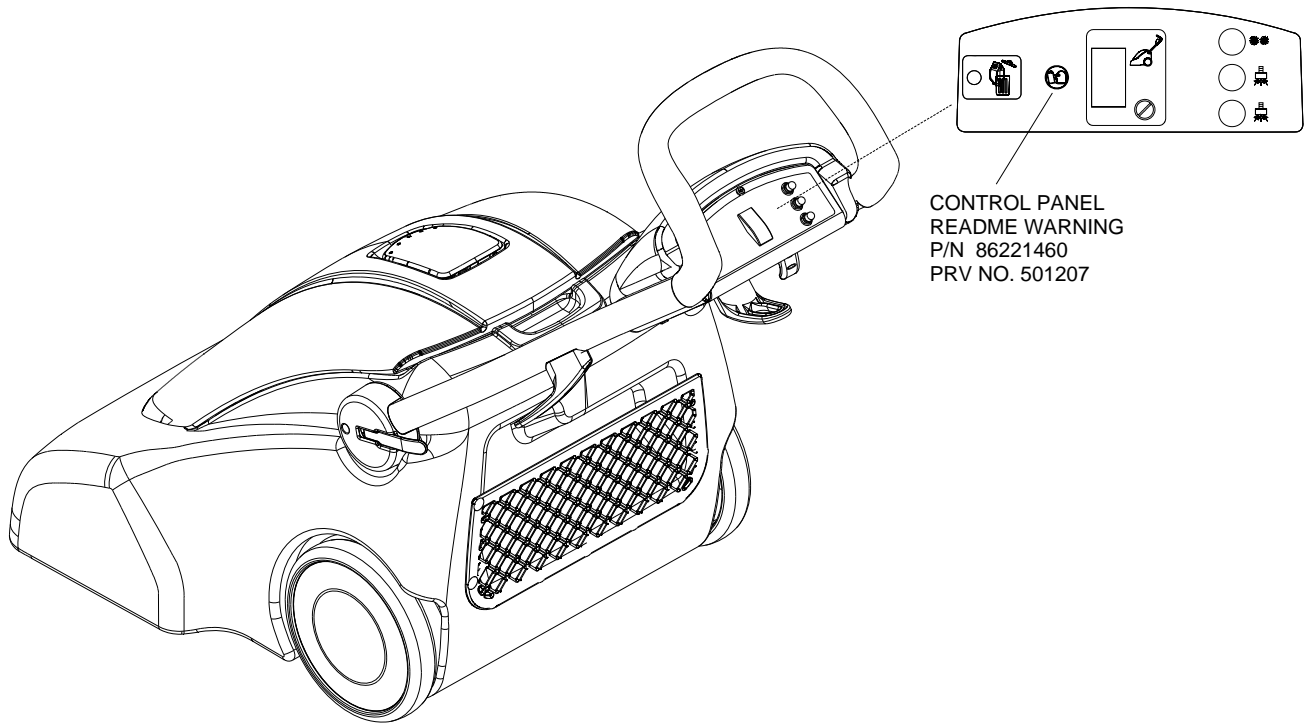
### ⚠ AVERTISSEMENT:

*Une connexion non conforme du conducteur de mise à la terre de l'appareil peut provoquer une décharge électrique. Consulter un électricien qualifié ou une personne du service après vente si vous suspectez que la prise de courant n'est pas correctement mise à la terre. Ne pas modifier la fiche fournie avec l'appareil - si elle ne rentre pas dans la prise, faites installer une prise appropriée par un électricien qualifié.*

### SAFETY LABEL LOCATION

The following WARNING LABEL(S) are found on your cleaning unit. These labels point out important Warnings and Cautions which should be followed at all times. Failure to follow warnings and cautions could result in fatality, personal injury to yourself and/or others, or property damage. Follow these instructions carefully! DO NOT remove these labels.

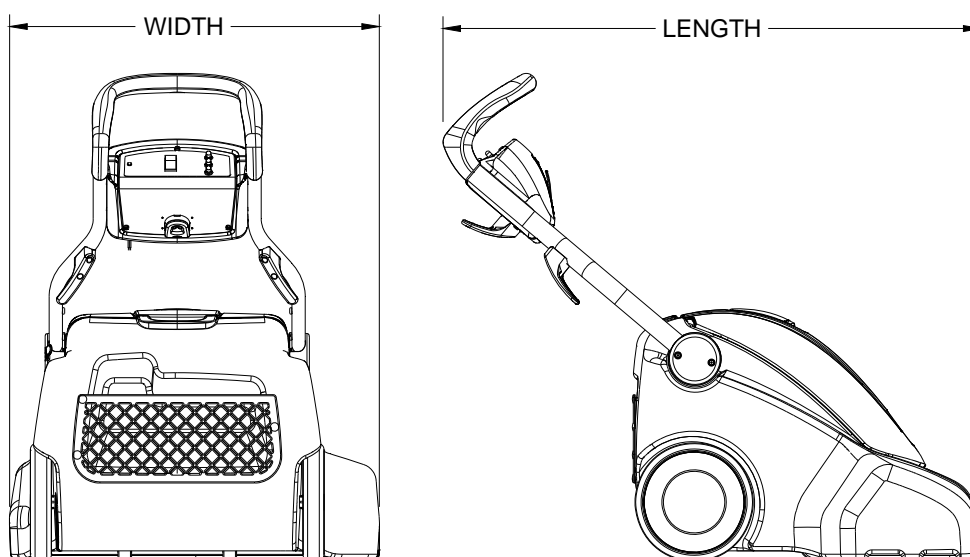
NOTE: If at any time the labels become illegible, promptly replace them.



### Technical Specifications

ITEM	DIMENSION/CAPACITY
Rated Amperage (120V)	15 AMPS
Rated Amperage (230V)	7.5 AMPS
Brush Motor	0.5 HP (373 W)
Bag Capacity	792 in <sup>3</sup> (13 L)
Brush	Two 25.5 in. (647mm) by 4 in. (10 mm) diameter
Brush Speed (120 V)	1550 RPM
Brush Speed (230 V)	1350 RPM
Maximum flow rate of machine	129 cfm (61 L/sec)
Maximum suction of machine	20 inches of water ( 4.97 kPa)
Weight Empty	151 lbs (68 kg)
Tires	9.75 in. (247mm) non-marking
Frame Construction	Powder coated steel

all



ITEM	MAXIMUM	STORAGE
Height	44 inches (1120 mm)	21 inches (530 mm)
Length	51.5 inches (1310 mm)	33 inches (840 mm)
Width	30.5 inches (770 mm)	30.5 inches (770 mm)

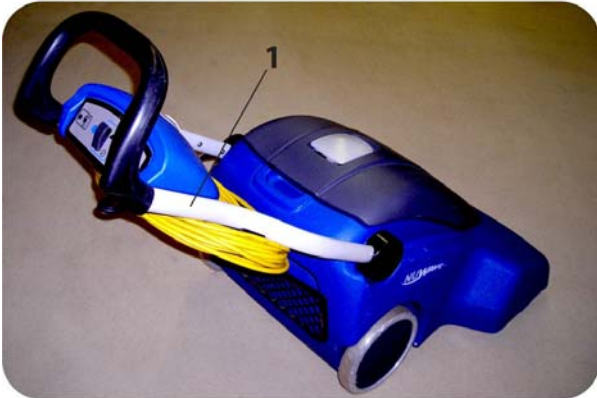
#### SPECIAL NOTES:

The sound pressure level at the operator's ear was measured to be 74dBA . This was a nearfield, broad-band measurement taken on a carpeted floor. This appliance contains no possible source of impact noise. The instantaneous sound pressure level is below 63 Pa.

The weighted root mean square acceleration at the operator's arms was measured to be below 2.5m/s<sup>2</sup> . This was a tri-axial, third-octave-band measurement made during normal operation on a composite tile floor. The measurement and related calculations were made in accordance with ANSI S3.34-1986.

This appliance is not intended for use by persons (including children) with reduced physical, sensory or mental capabilities, or lack of experience and knowledge, unless they have been given supervision or instruction concerning use of the appliance by a person responsible for their safety. Children should be supervised to ensure that they do not play with the appliance.

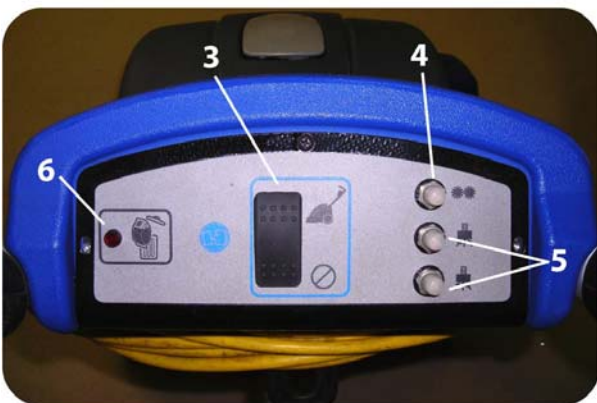
## Controls & Components



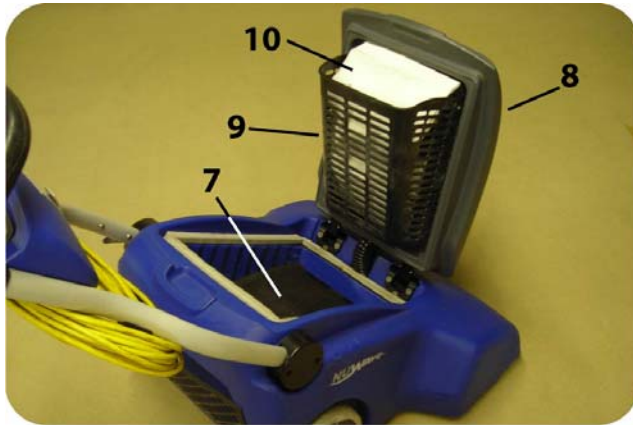
1. Main handle  
Adjust for operator comfort and storage



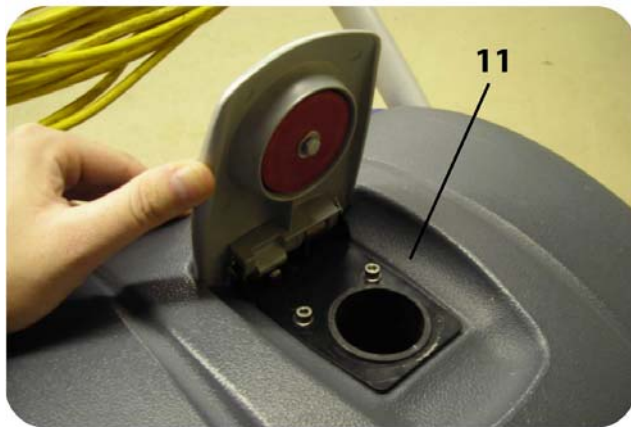
2. Handle Adjustment Lever  
Adjusts for operator comfort and storage.



3. Vac on/off switch.  
Turns on and off vac motor.
4. Brush Motor Circuit Breaker  
Protects brush motor from overheating.
5. Vac Motor Circuit Breakers  
Protects the vac motors from overheating.
6. Bag full Indicator Light  
Indicates when filter bag requires replacement or a clog in the vacuum system ducting.



- 7. Intake Filter  
Filters intake air for extend vacuum motor life.
- 8. Filter Bag Cover  
Raises to allow access to filter bag and vacuum motors.
- 9. Filter Bag Basket  
Locates filter bag for maximum fill efficiency and easy changing.
- 10. Filter Bag  
Lift out easily for service.



- 11. Accessory Port  
Lift port to attach optional accessory hose. Brush motor will be deactivated during accessory use.

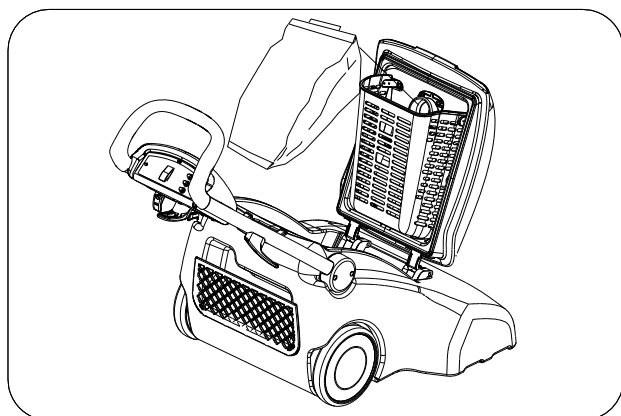
## Set Up



1. Take machine out of storage position by lowering onto all four wheels.



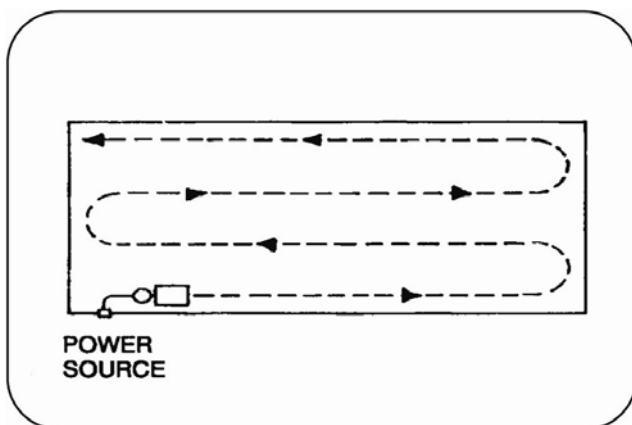
2. Adjust handle to comfortable position at waist level by opening adjustment lever on left side of machine and moving handle. Lock back into position by closing adjustment lever.



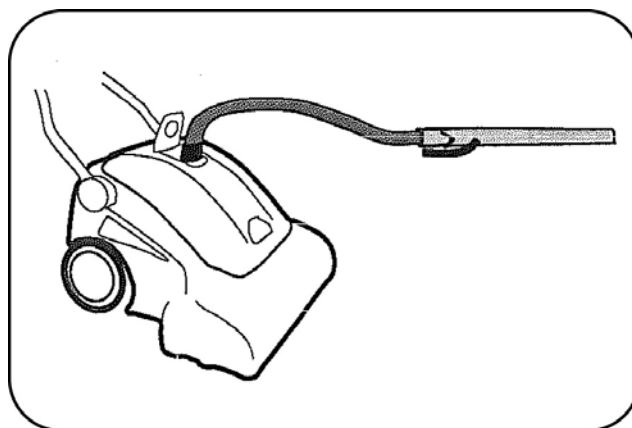
3. Install filter bag inside the main body by pushing the rubber collar over the chute.



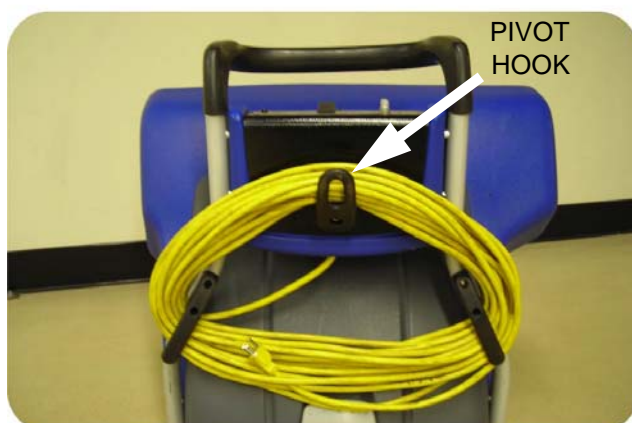
### Cleaning Route



### Accessory port



### Cord Hooks



### How It Operates

This machine is a portable, easy to use wide area vacuum designed for use indoors, in a commercial or light industrial environment.

When operating as a carpet vacuum, soil is lifted from the carpet surface by two counter-rotating brushes and carried into a removable bag by the vacuum motors.

1. Large debris such as paper cups, plates, string, etc., should be picked up before starting the cleaning process.
2. Plan your cleaning route to work away from the electrical source. Move machine forward at a steady pace.

### Cleaning

1. Adjust handle to comfortable position at waist level or higher.
2. Use your finger to depress the Vacuum switch on the control panel to activate the vacuum.
3. When using optional accessory tool, brushes will be deactivated when accessory port is lifted.

### **⚠ WARNING:**

Keep machine moving while brush engaged. Damage to carpet could occur if not moving.

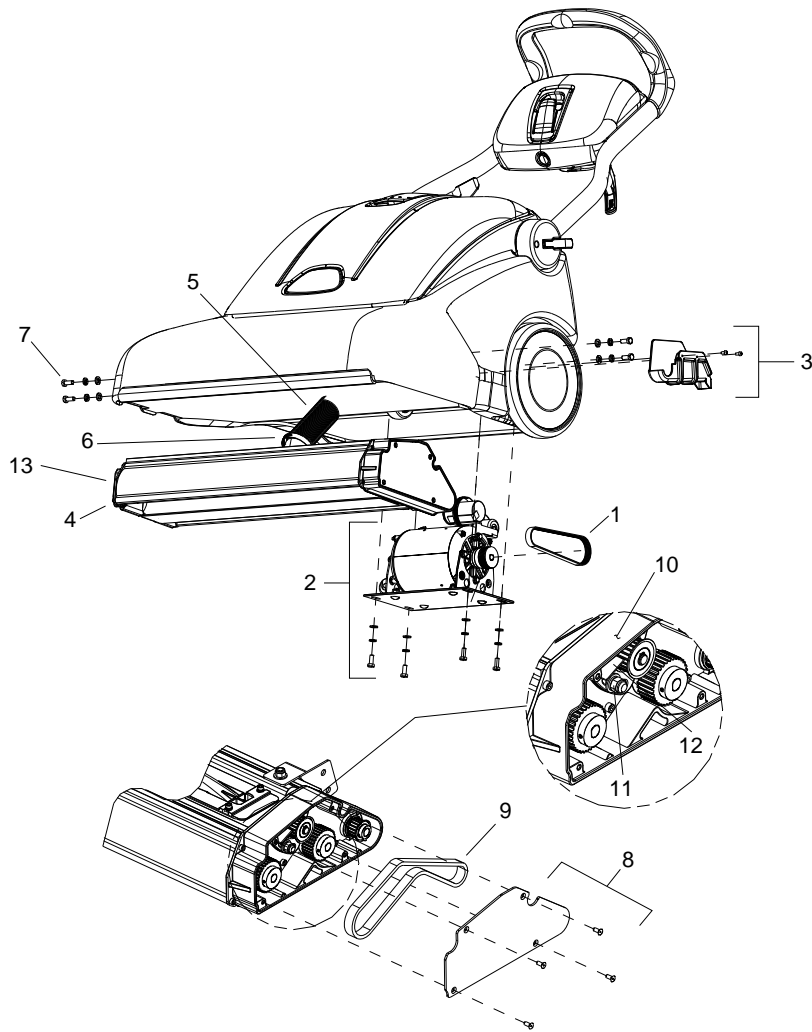
### **⚠ AVERTISSIMENT:**

Gardez la machine en mouvement lorsque la brosse est engagée. Sinon, des dommages peuvent se produire au tapis.

4. Move forward or backwards at a steady pace for thorough cleaning. Run machine more slowly over extremely soiled areas.
5. Use the right side of the machine for edge cleaning.
6. To keep the vacuum operating at maximum efficiency, check the filter bag regularly. Use the upper and lower access holes in basket to feel level of fullness. Empty when 1/2 to 3/4 full.
7. When finished vacuuming, coil the cord by wrapping around the three cord hooks provided on the handle tubes and control panel. The upper hook pivots for easy release of the cord.



Components



- |                              |                              |
|------------------------------|------------------------------|
| 1. Primary Drive Belt        | 8. Drive Housing Cover Plate |
| 2. Brush Motor Assembly      | 9. Secondary Timing Belt     |
| 3. Belt Guard                | 10. Drive Housing            |
| 4. Brush Deck Assembly       | 11. Belt Tensioning Nut      |
| 5. Vacuum Hose               | 12. Belt Tensioning Bracket  |
| 6. Hose Clamp                | 13. Retaining Clips          |
| 7. Brush Deck Mounting Bolts |                              |



**NOTE:** The following service items should be performed by an authorized service facility or authorized service personnel. All parts referred to in these instructions can be identified by using the parts lists and illustrations on the following pages.

## ⚠ WARNING:

Remove machine power cord from electrical source before making any repairs or adjustments to the machine.

## ⚠ AVERTISSEMENT:

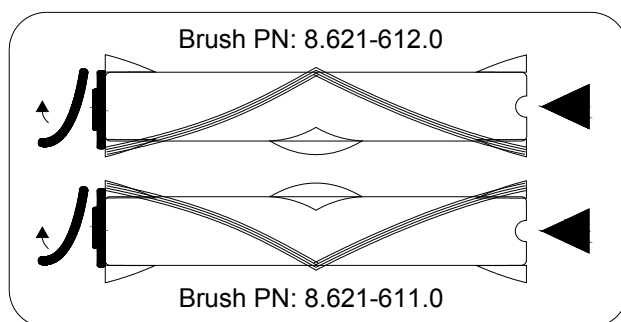
Retirez le cordon d'alimentation de la machine de la source électrique avant de procéder à des réparations ou des ajustements de la machine.

### Brush Deck

The dual cylindrical brush deck is designed to efficiently extract dirt from the carpet. Please note the differences between the front/rear brushes. Installing them in reverse position will significantly reduce the performance of the machine. The brush part numbers are marked on drive ends of the brush core as follows:

8.621-612.0 (12543) - Front Brush

8.621-611.0 (12540) - Rear Brush



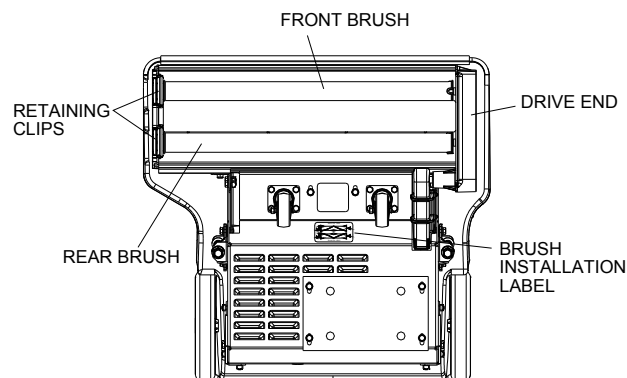
Brushes should be replaced as a set when bristle length wears to height of yellow PerformAlert™ bristles.

### Brush Removal

The brushes are removed from the right side of the machine.

1. Adjust handle into the vertical position and lock the cam lever. Tilt machine on its back using handle to support its position.
2. Pull out on the bottom of the retaining clip.

3. The brush assembly and end cap should drop down. Then pull the brush down far enough to clear the bottom of the housing.
4. Pull brush out with a rocking motion to free brush from drive hub.



### Bearing Cleaning

1. Remove bearing cap from end of brush.
2. Clean cap and bearings.



### Brush Replacement

1. Make sure the brushes are in the correct position (front/rear) by following the brush installation label on the underside of the machine. Lift the drive side of the brush and push it onto drive hub until a positive stop is felt. The brush cannot be installed until the brush is fully seated on the drive hub.
2. Pull out on the bottom of the retaining clip.
3. Line up end cap with the flats to each side.
4. Slide brush up into retaining clip until it clicks in place.

### Belt Replacement

The primary drive belt and secondary belt should be replaced if they are damaged or broken. To determine if a belt is damaged or broken, there will be a noticeable drop in the performance of the machine or the brushes will not spin when the machine is turned on.

#### Primary Drive Belt Replacement

The primary drive belt is removed from the under side of the machine.

1. Unplug power cord.
2. Adjust handle into vertical position and lock cam lever. Tilt machine on it's back using handle to support it's position.
3. Remove belt guard by loosening the (2) mounting screws.
4. Remove brush motor assembly by loosening the (4) mounting bolts.
5. Remove damaged or broken belt from drive pulleys and replace with a new drive belt. Be sure the grooves in the drive belt match the grooves in the drive pulleys.
6. Install brush motor assembly with new drive belt to the machine by using the (4) mounting bolts. With mounting bolts in place but not fully tightened, use weight of the brush motor assembly to apply proper tension to the drive belt. Once the belt is properly tensioned, fully tighten the mounting bolts.
7. Attach belt guard to the frame by using the (2) mounting screws.
8. Plug machine into a power supply and turn it on to assure the machine is running properly.

### Secondary Belt Replacement

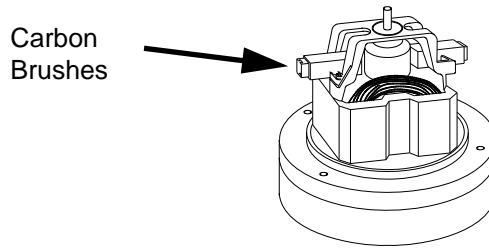
The secondary belt can be accessed from the under side of the machine.

1. Unplug power cord.
2. Adjust handle into the vertical position and lock the cam lever. Tilt machine on it's back using the handle to support it's position..
3. Remove belt guard by loosening the (2) mounting screws.
4. Loosen the 4 mounting bolts for brush motor assembly to relieve primary drive belt tension. Do not fully remove the (4) mounting bolts. Remove primary drive belt from the brush deck pulley.
5. Remove brush deck assembly by loosening the 4 mounting bolts that attach it to the linkage arms (2) bolts on the right side and (2) on the left side). With the brush deck assembly removed, detach vacuum hose from the nozzle by loosening hose clamp.
6. The secondary belt can now be accessed on the right side of brush deck assembly by removing the (4) screws that mount the drive housing cover/plate.
7. Loosen nut on the belt tensioning bracket and remove damaged/broken belt. Install new secondary belt in the same configuration.
8. Apply tension to belt by pressing thumb tab on belt tensioning bracket. Tighten the nut on belt tensioning bracket until proper tension is achieved. Test belt by spinning brushes. Brushes should spin easily without excessive friction.
9. Replace drive housing cover/plate, reattach the vacuum hose to nozzle, and reassemble brush deck to machine by using the (4) mounting bolts (2) on right side and (2) on left side.
10. Reattach primary drive belt to brush deck pulley making sure the grooves line up properly. Apply proper tension to primary drive belt and tighten the (4) mounting bolts on brush motor assembly. Reattach primary belt guard.
11. Plug machine into a power supply and turn it on to assure the machine is running properly.

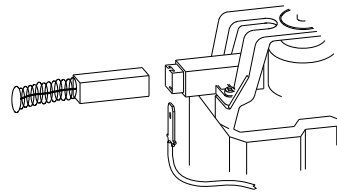
## Remove Vac Motor And Filters

1. Unplug power cord.
2. Open cover.
3. Remove (6) screws from vacuum motor retaining plate.
4. Remove (8) screws from vac motor brackets, (4) each bracket.
5. Lift vacuum motors out of machine body.

## Vacuum Motor Carbon Brushes Replacement

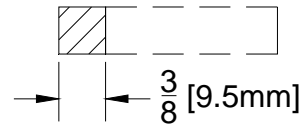


If armature commutator is grooved, extremely pitted or not concentric, the motor will need to be replaced or sent to a qualified service center.



### Important:

These brushes wear quicker as the length shortens due to increased heat. Spring inside brush housing will damage motor if brushes are allowed to wear away completely.



Periodically check the length of the carbon brushes. Replace both carbon brushes when either is less than  $\frac{3}{8}$ " (9.5mm) long.

## Daily Maintenance

1. Unplug power cord.
2. Shake down the contents of the bag daily.
3. Check power cord for damaged or frayed insulation.
4. Check for and remove any lint or debris around brush and brush housing.

## Regular/periodic Maintenance

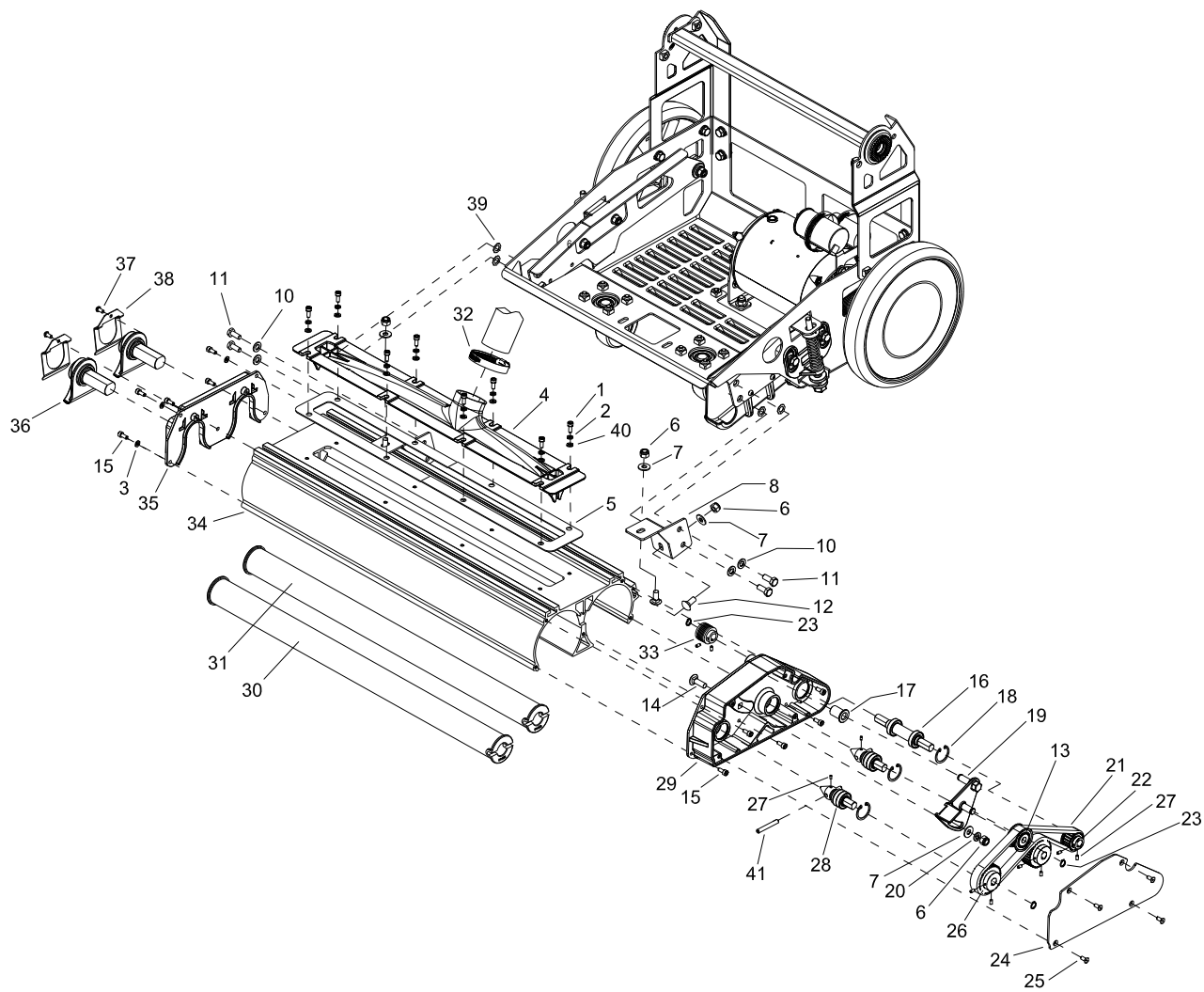
1. Unplug power cord.
2. Every 4 to 6 months remove wheels, clean axles, and apply a thin coat of silicone lubricant to axles.
3. Inspect and clean vac motor filters.
4. Periodically inspect all hoses, electrical cables, filters, gaskets and connections on your machine. Frayed or cracked hoses should be repaired or replaced to eliminate vacuum loss.
5. The electrical cable must be well insulated, if the cable insulation is broken or frayed, repair or replace it immediately. Don't take chances with electrical fire or shock.

## Maintenance

### Service Schedule

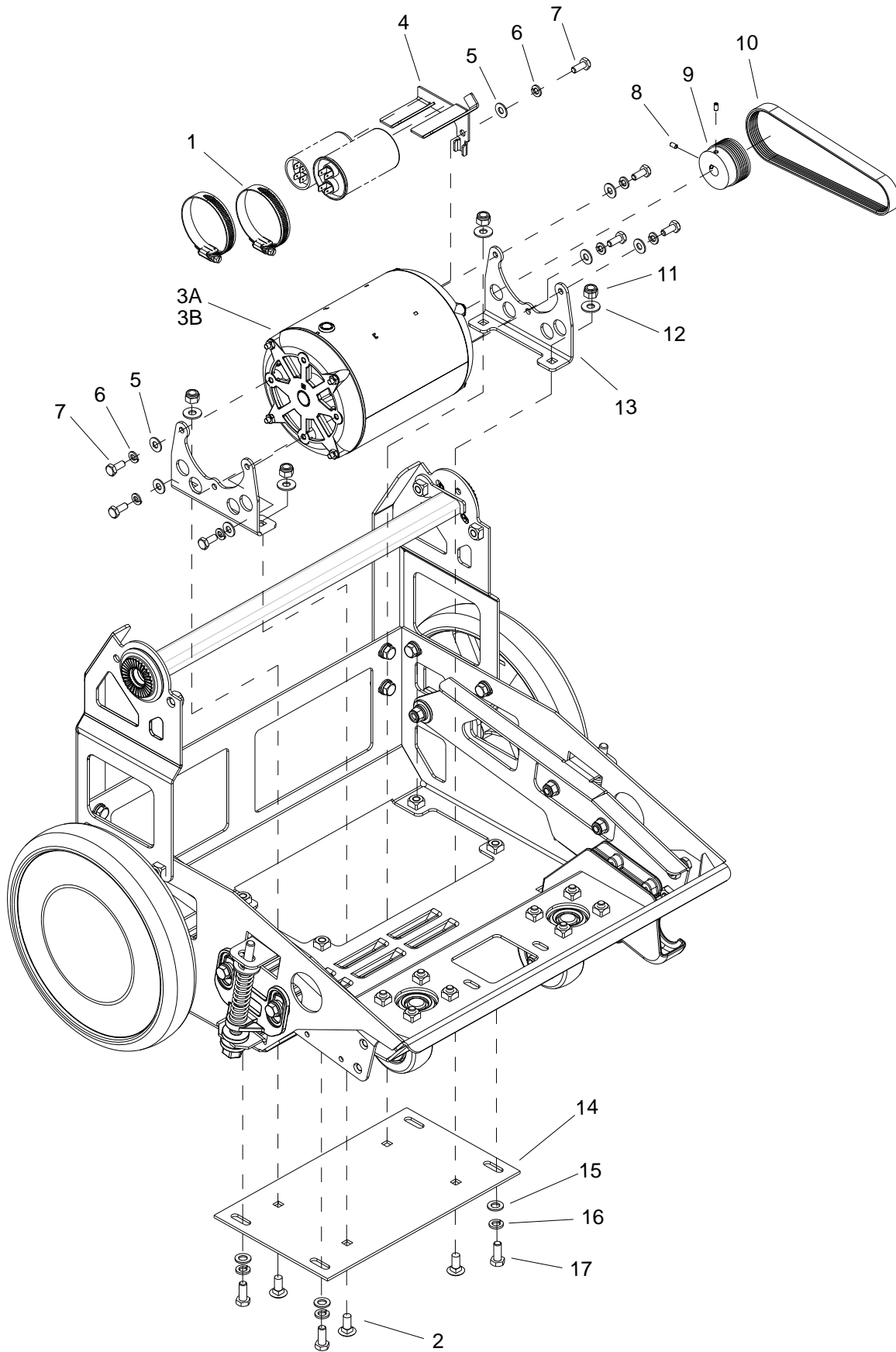
MAINTENANCE	DAILY	WEEKLY	MONTHLY	QUARTERLY
Check bag and replace if necessary	*			
Check filters and replace if necessary	*			
Check hoses for wear, blockages, or damage	*			
Inspect base for clogs	*			
Check vac nozzle for clogs; remove clogs with fingers (if appropriate)	*			
Check major gaskets for leakage	*			
Check brush-should be clean with no lint or strings attached	*			
Wind cord and store in upright position	*			
Remove bearing cap from end of brush. Clean bearing and cap.	*			
Check hoses for cracks or holes		*		
Check all cords and handles for damage or cracks; replace as necessary		*		
Check brushes for wear; replace if necessary		*		
Check brush strip for wear; replace if necessary		*		
Inspect and replace all filters including exhaust, intake			*	
Inspect, clean, and repair power head - including brush housing			*	
Check all bearings for fiber build-up and noise			*	
Check all gaskets for wear and leakage			*	
Check belts for wear; replace if necessary			*	
Check vac motor carbon brushes				*
Check for arcing and pitting on any electrical contacts; replace if found				*
Inspect and clean vac deck; check for dents and damage which would detrimentally effect vacuum and brush movement				*
Check overall performance of machine				*

# PARTS

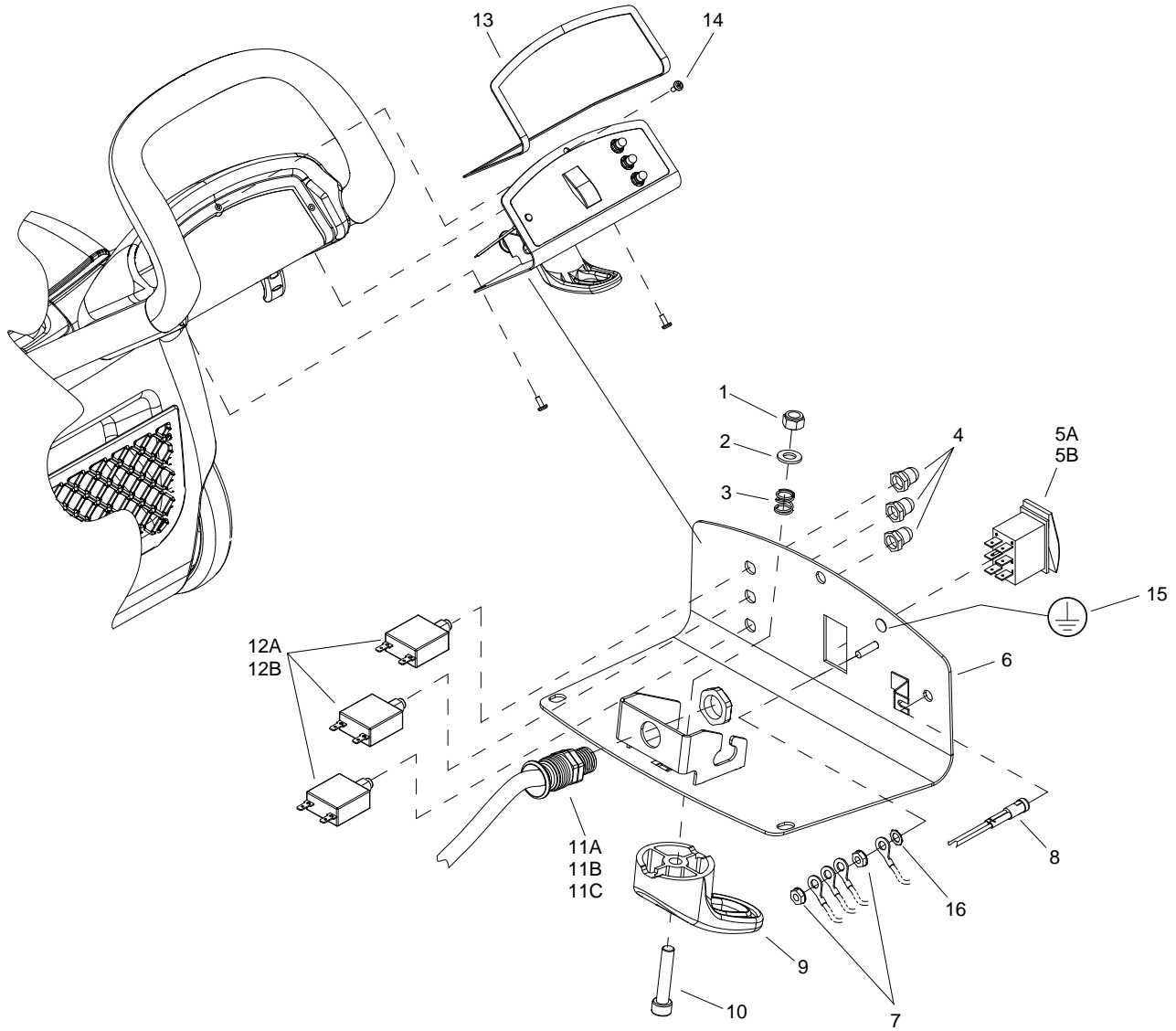




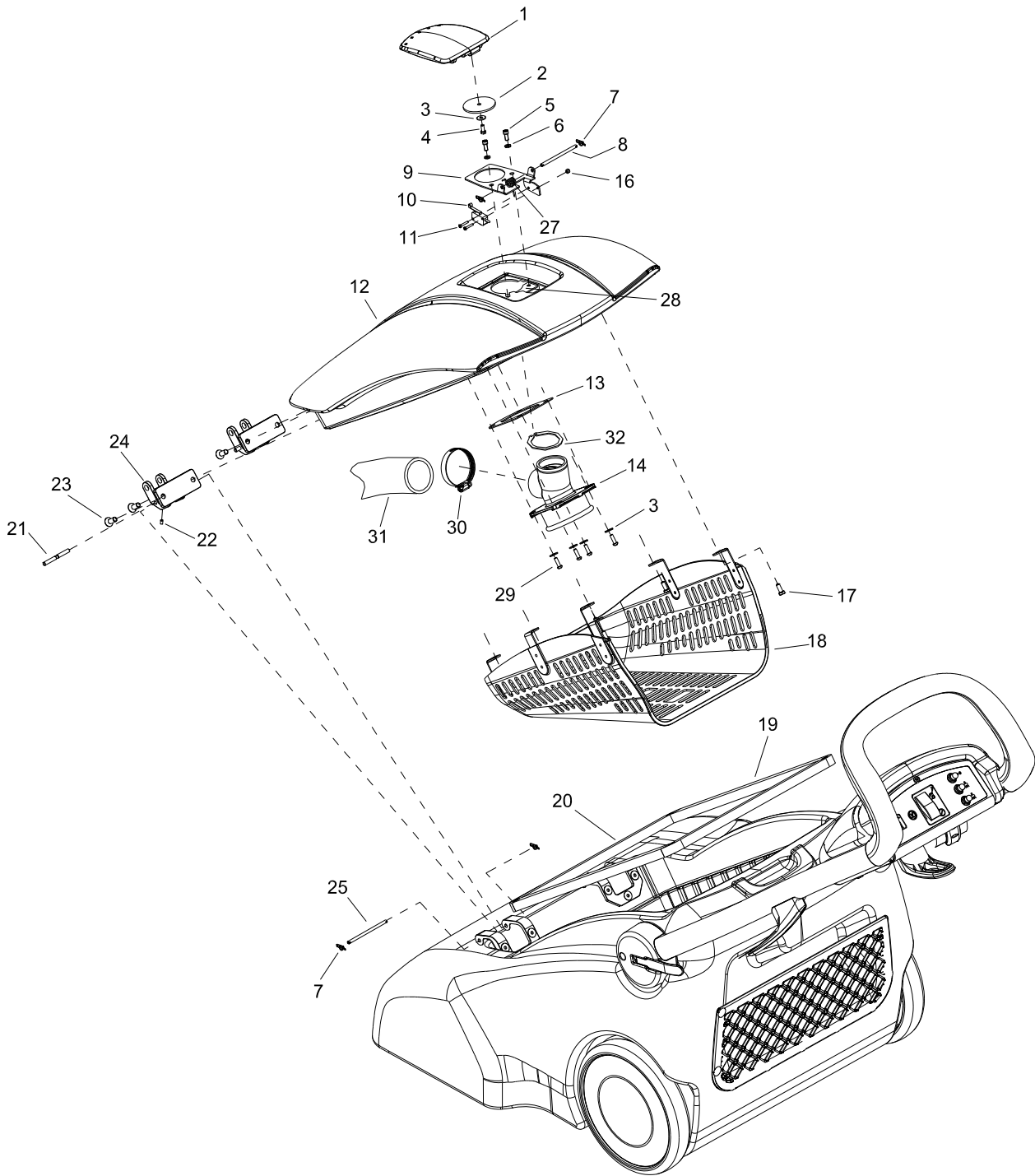
REF	PART NO.	QTY	DESCRIPTION	SERIAL NO. FROM	NOTES
1	86293390	8	SCR, M5 X .8 X 15 SHCS GR 10.9 BLK		
2	86137300	8	WASHER, M8 FLAT DIN125A PLT		
3	86173350	5	WASHER, M5, FLAT, ISO7089, SS		
4	86290110	1	NOZZLE, VACUUM, DECK		
5	86218140	2	GASKET, VAC NOZZLE		
6	86270830	5	NUT, 5/16-18 HEX NYLOCK SS		
7	86010670	5	WASHER, 5/16 FLAT SS		
8	86292460	2	WELMENT, DECK LEVELING BRKT		
9	OPEN	-	-		
10	86010720	4	WASHER, M10 X 30 PLTD		
11	86295960	4	SCR, M10 X 20 HHMS GR 8.8 PLT		
12	86293380	4	SCR, 5/16-18 X 3/4 CARR GR 10.9		
13	86012780	1	PULLEY ASM, 5MM HTD 22T		
14	86277130	1	SCR, 5/16 X 1.00 CARRAGE SS		
15	86293400	10	SCR, M5X12 SHCS GR 10.9 PLT		
16	86293200	1	ASSY, JACK SHAFT DRIVE		
17	86215230	1	BEARING, BRONZE FLANGED		
18	86223520	3	RING, 28MM INT SNAP PHOSPHATE		
19	86215530	1	BRACKET, BELT TENSIONER		
20	86279130	1	WASHER, 5/16 SPLIT LOCK PLTD		
21	86215310	1	BELT, TIMING, 5MM X 15MM X 575		
22	86223310	1	PULLEY, 5MM HTD, 18T, 12.7ID		
23	86223490	2	RING, 10MM EXT SNAP, DIN 471		
24	86222890	1	PLATE, BRUSH DRIVE COVER		
25	86172970	4	SCR, M5X12, PHLP PHMS, ISO 7046, SS		
26	86223320	2	PULLEY, 32T, 5MM HTD		
27	86223780	10	SCR, M4X8, SET, ISO4029, CP, BLK		
28	86012790	2	ASSY, BRSH END CAP SHFT		
29	86219400	1	HOUSING, BRUSH DRIVE		
30	86216120	1	BRUSH, 25.5 X 4.0 OD, FRONT		
31	86216110	1	BRUSH, 25.5 X 4.0 OD, REAR		
32	86216750	1	CLAMP, WORM GEAR 40-64MM		
33	86291140	1	PULLEY, MICRO-V, 1.125 OD		
34	86217810	1	EXTRUSION, DUAL BRUSH DECK		
35	86219410	1	HOUSING, BRUSH RELEASE CLIP		
36	86293230	2	ASSY, BRSH END CAP SHFT		
37	86172980	2	SCR, KA50X10, PT OHS, WN1412, PLTD		
38	86224630	2	SPRING, BRUSH CLIP		
39	86295970	4	WASHER, M10 EXT STAR LOCK		
40	86173330	8	WASHER, M5 FLAT, ISO7093, SS		
41	86224170	2	SHAFT, 6.2MM BRUSH DRIVE		



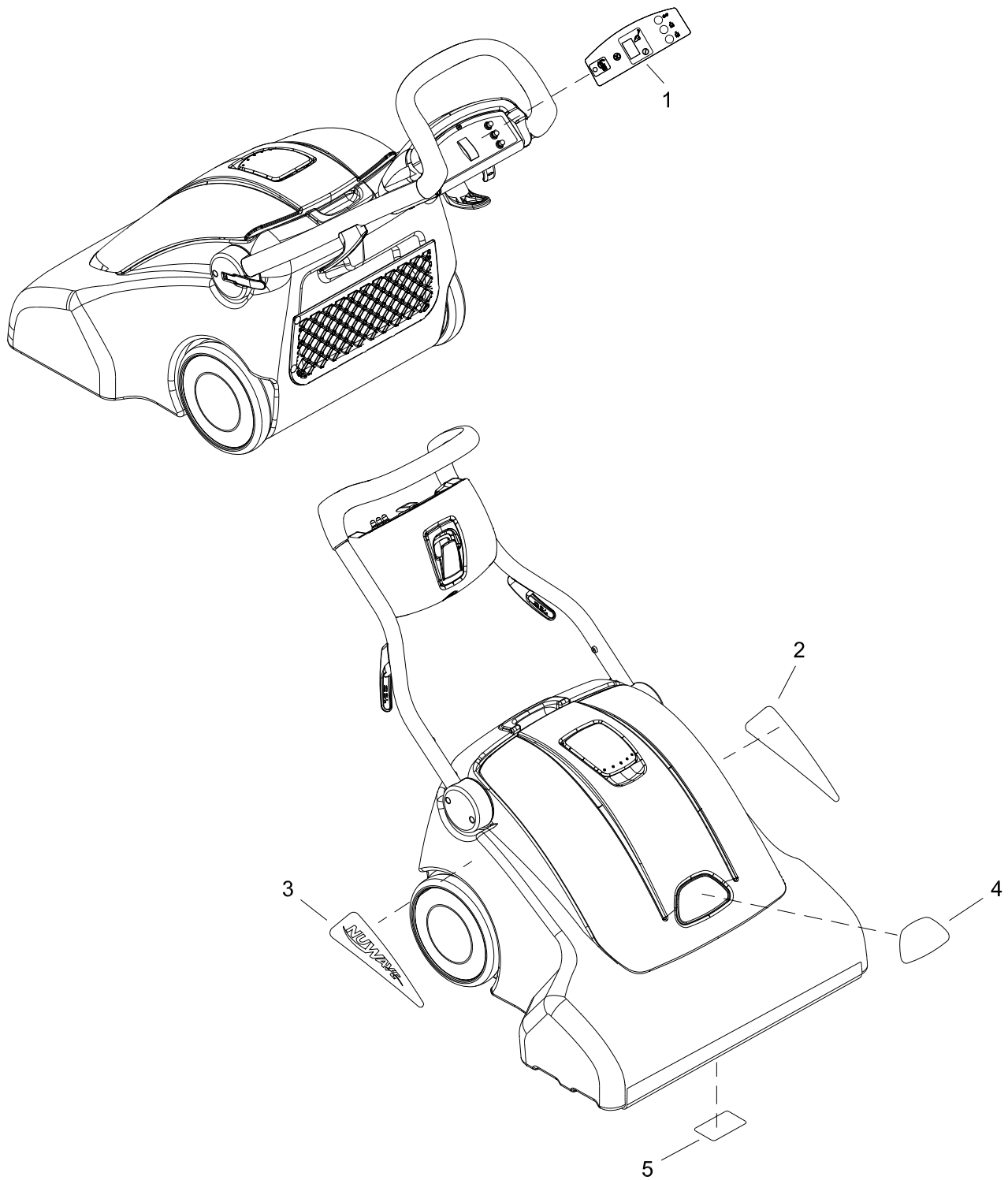
REF	PART NO.	QTY	DESCRIPTION	SERIAL NO. FROM	NOTES
1	86216750	2	CLAMP, WORM GEAR 40-64MM		
2	86293380	4	SCR, 5/16-18 X 3/4, CARR GR 10.9		
3A	86222120	1	MOTOR, 115V, 0.5HP, INDUCTION		INCLUDES #18, 19 CAPACITORS
3B	86222150	1	MOTOR, 230V, .5HP, INDUCTION		INCLUDES #20, 21 CAPACITORS
4	86012580	1	BRACKET, CAPACITOR, MOTOR MNT		
5	86010630	7	WASHER, 1/4 ID X 5/8 OD SS		
6	86173340	7	WASHER, SPLIT LOCK, 1/4, SS		
7	86293270	7	SCR, 1/4-20 X 5/8 HHCS 10.9		
8	86223780	2	SCR, M4X8, ISO4029, CP, BLK		
9	86291150	1	PULLEY, MICRO-V, 1.80 OD		
10	86291380	1	BELT, 290J6, MICRO-V		
11	86270830	4	NUT, 5/16-18 HEX NYLOCK SS		
12	86010670	4	WASHER, 5/16 FLAT SS		
13	86215550	2	BRACKET, MOTOR MOUNT		
14	86222900	1	PLATE, MOTOR BASE		
15	86137280	4	WASHER, M8 FLAT DIN125A PLT		
16	86279130	4	WASHER, 5/16 SPLT STL ZNPLT		
17	86274860	4	SCR, M8X20 HHMS		
18	86332820	-	RUN CAPACITOR 25 UF		
19	86332830	-	START CAPACITOR 150 UF		
20	86332870	-	RUN CAPACITOR 6 UF		
21	86332880	-	START CAPACITOR 50 UF		



REF	PART NO.	QTY	DESCRIPTION	SERIAL NO. FROM	NOTES
1	86172640	1	NUT, M8, NYLOCK, ISO7040, SST		
2	86173300	1	WASHER, M8, FLAT ISO7089, SST		
3	86224730	1	SPRING, COMP, 12MM OD X 12.7MM		
4	86215410	3	BOOT, CIRCUIT BREAKER MP/MB		
5A	86348660	1	SWITCH, 2 POSN, BRUSH		230V ONLY
5B	86007130	1	SWITCH DPDT 2-POSITION ROCKER		120V ONLY
6	86225960	1	WELDMENT, ELECTRICAL PANEL		
7	86005700	2	NUT, 10-32 W/STAR		
8	86221820	1	LIGHT, INDICATOR, RED, 120VAC		
9	86218960	1	HOOK, UPPER, CORD		
10	86223830	1	SCR, M8X40, SHCS, ISO 4762, SST		
11A	86217150	1	CORD ASM, 14/3 SJT X 75' YLW		
11B	86217160	1	CORD ASM, EURO 1.5 MM X 75 BLK		
11C	86217170	1	CORD ASM, AUST 1.5MM X 75 BLK		
12A	86215670	3	BREAKER, 8A VDE CIRCUIT		120V ONLY
12B	86215710	3	BREAKER, 5A VDE CIRCUIT		230V ONLY
13	86218290	4	GASKET, CONSOLE, HANDLE		
14	86276820	3	SCR, 10-32 X 1/2 PTHMS BLK NP		
15	86299320	1	LABEL, GROUND SYMBOL		230V ONLY
16	86010640	1	WASHER, #10 LOCK EXT STAR SS		

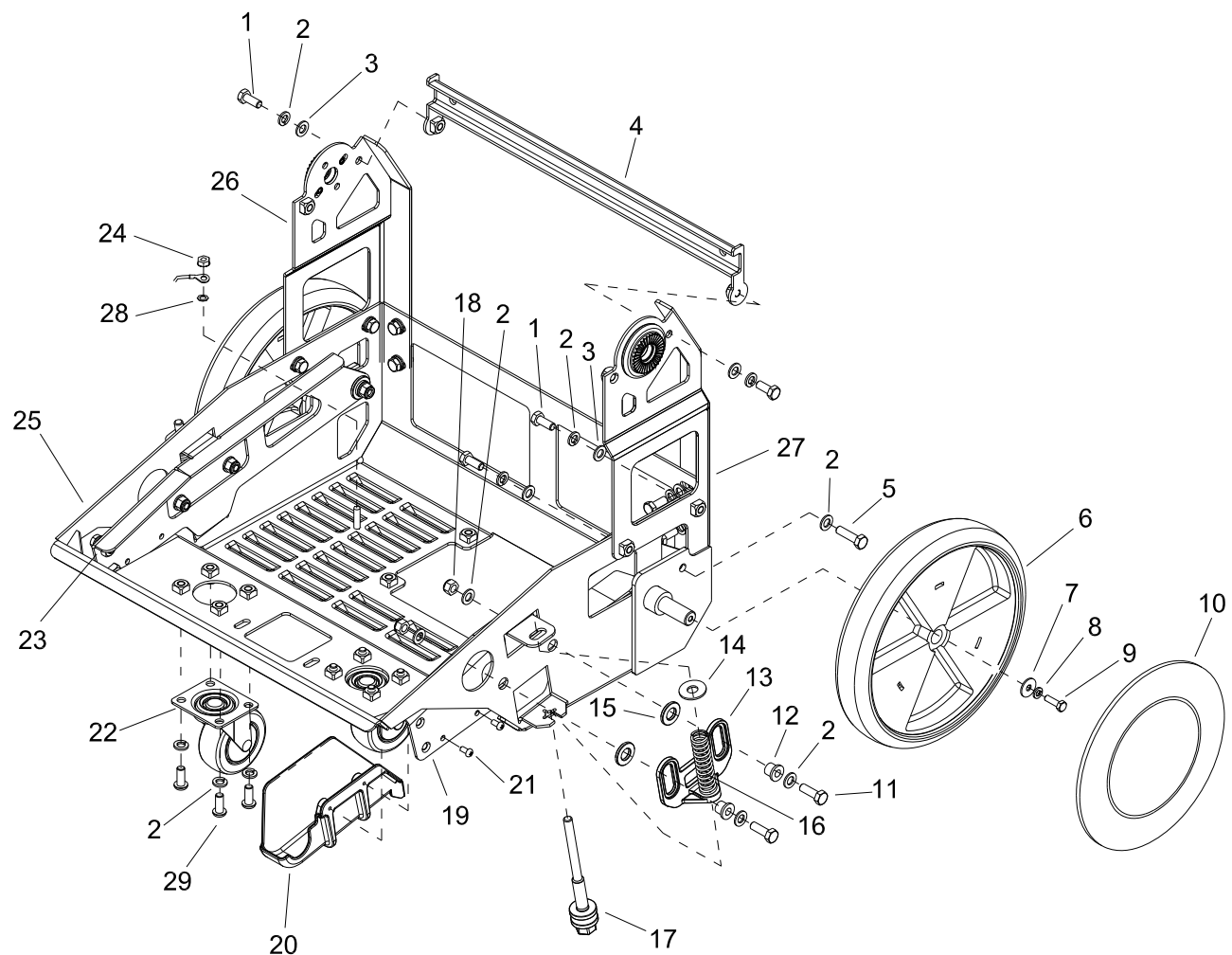


REF	PART NO.	QTY	DESCRIPTION	SERIAL NO. FROM	NOTES
1	86217470	1	COVER, ACCESSORY PORT		
2	86218300	1	GASKET, ACCESSORY PORT COVER		
3	86173330	5	WASHER, M5, FLAT, ISO7093, SS		
4	86293360	1	SCR, M5X12 GR 8.8, PLT		
5	86293390	2	SCR, M5X15 SHCS, GR 10.9 BLK		
6	86173350	2	WASHER, M5, FLAT, ISO7089, SS		
7	86008650	6	COTTER, 1/4" RING		
8	86222620	1	PIN, 5MM DIA X 85MM L		
9	86216030	1	BRKT, ACCESSORY PORT HINGE		
10	86225080	1	SWITCH, 125 VAC SP NC ROLLER		
11	86173110	2	SCR, M3X16, BSHCS, ISO7380, SST		
12	86225630	1	VACUUM LID, TRIM		
13	86218200	1	GASKET, FITTING ACCESSORY PORT		
14	86217880	1	FITTING, ACCESSORY PORT		
15	OPEN	-	-		
16	86295530	1	NUT, HEX, M3, PLT		
17	86274340	6	SCR, M6 X 16 PH		
18	86215160	1	BASKET, FILTER BAG MOLDED		
19	86238080	2	GASKET, 1 W X 5/8 FOAM, M		
20	86238070	2	GASKET, 1 W X 5/8 FOAM, F		
21	86222640	2	PIN, 6 MM DIA X 60 MM LG		
22	86223780	2	SCR, M4X8, SET, ISO4029, CP, BLK		
23	86293420	4	SCR, M8X20 FHCS BR 10.9 BLK		
24	86218930	2	HINGE, LID		
25	86222630	2	PIN, 6MM DIA X 95 MM LG		
26	OPEN	-	-		
27	86224770	1	SPRING, TORSION		
28	86222960	1	PLATE, ACCESSORY PORT		
29	86014530	4	SCR, KA50X16, PT, WN1412, PL		
30	86216750	1	CLAMP, WORM GEAR 40-64MM		
31	86219120	1	HOSE, 2.0 ID X 15.75L, 3.5:1		
32	86311920	1	SNAP RING, 50MM ID, BLACK		
-	86215090	-	BAG, PAPER WIDE AREA VAC		NOT SHOWN



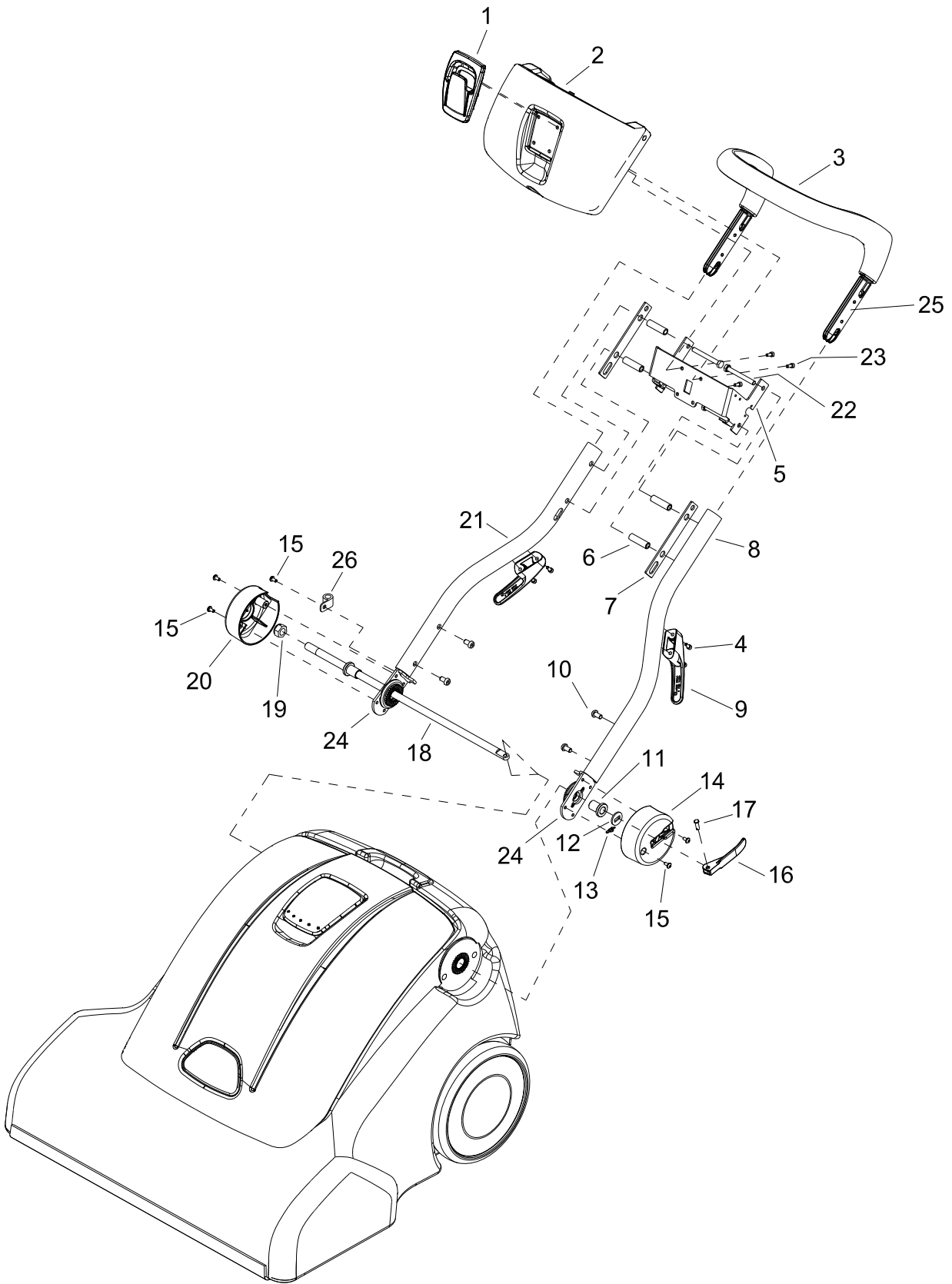


REF	PART NO.	QTY	DESCRIPTION	SERIAL NO. FROM	NOTES:
1	86221460	1	LABEL, CONTROL PANEL VACUUM		
2	86221530	1	LABEL, NUWAVE RT		
3	86221540	1	LABEL, NUWAVE LT		
4	86004970	1	LABEL, WINDSOR LOGO DOMED		
5	86012590	1	LABEL, BRUSH INSTALLATION		



REF	PART NO.	QTY	DESCRIPTION	SERIAL NO. FROM	NOTES
1	86274860	10	SCR. M8X20 HHMS		
2	86279130	18	WASHER, 5/16 SPLT STL ZNPLT		
3	86137280	22	WASHER, M8 FLAT DIN125A PLT		
4	86295660	1	WELDMENT, HANDLE BRACE		
5	86295780	2	M8X40 HHCS GR 8.8 PLT		
6	86226050	2	WHEEL, 9.75" X 1.5"		
7	86225730	2	WASHER, M6 (20.5 ODX1.6T) PLT		
8	86173310	2	WASHER, SPRING LK, M6, DIN127B, SST		
9	86293430	2	SCR, M6 X 16 HHMS GR 10.9 PLT		
10	86219480	2	HUBCAP, 9.75 WHEEL		
11	86293440	4	SCR, M8X25 HHCS BR 8.8 PLT		
12	86228840	6	BEARING, FLANGED .314IDX.502OD		
13	86215890	2	BRKT, SPRING ADJUST		
14	86010720	2	WASHER, M10 X 30 PLTD		
15	86259400	8	WASHER, THRUST .51 ID X 1 ODBRO		
16	86224690	2	SPRING, .718OD X 3.41L X .091W		
17	86223810	2	SCR, ADJUSTMENT DECK SPRING		
18	86196610	6	NUT, M8 HEX NYLOCK		
19	86216020	1	BRKT, DECK LINGAGE, LEFT		
20	86218430	1	GUARD, BELT BRUSH DRIVE		
21	86172980	2	SCR, KA50X10, PT OHS, WN1412, PLTD		
22	86343450	2	SWIVEL CASTER, 3.7"	*	
23	86216010	1	BRKT, DECK LINKAGE, RIGHT		
24	86005700	1	NUT, 10-32 W/STAR		
25	86217980	1	FRAME, WELDMENT		
26	86225970	1	WELDMENT, HANDLE BRKT, RIGHT		
27	86225980	1	WELDMENT, HANDLE BRKT, LEFT		
28	86010640	1	WASHER, #10 EXT STAR LOCK SS		
29	86277530	8	SCR, M8X1.25 X 20 LG BSHCS SS	*	

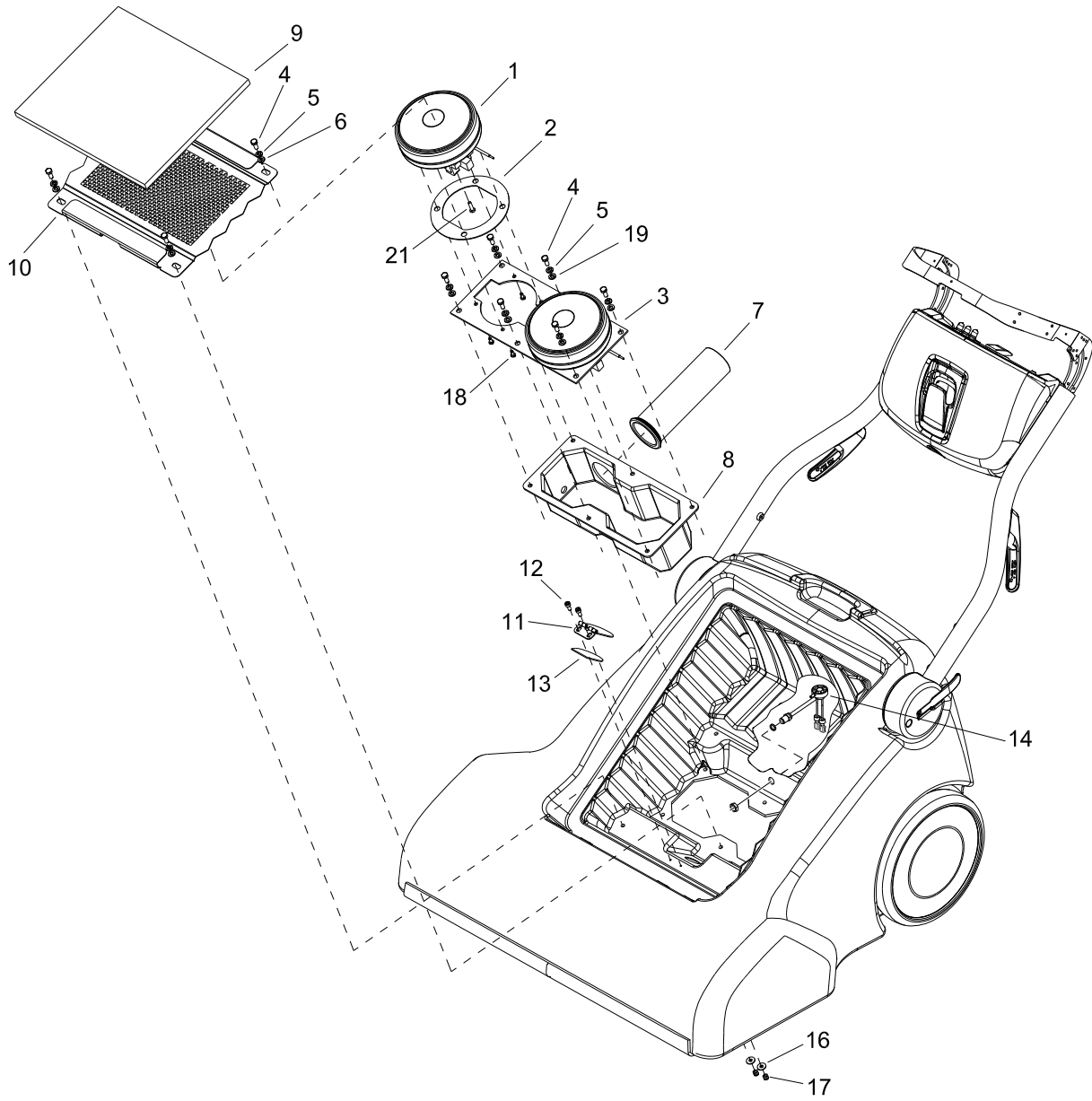
\*CALL MANUFACTURER FOR SERIAL NUMBER.



REF	PART NO.	QTY	DESCRIPTION	SERIAL NO. FROM	NOTES:
1	86218970	1	HOOK, CORD, CONSOLE		
2	86298140	1	CONSOLE, TRIMMED, BLU		
3	86218600	1	HANDLE, MAIN, MOLDED GRIP		
4	86293400	4	SCR, M5X12 SHCS GR 10.9 PLT		
5	86215630	1	BRACKET, LEVER, CONSOLE		
6	86224540	4	SPACER, 8.5 ID X 45L		
7	86218190	2	GASKET, CONSOLE, TUBE		
8	86218720	1	HANDLE, EXTRUSION, LEFT		
9	86218950	2	HOOK, LOWER, CORD		
10	86293410	4	SCR, M8X15 BHCS GR 8.8 PLT		
11	86216460	2	BUSHING, AXLE, LEVER		
12	86225860	1	WASHER, LEVER, CAM HANDLE		
13	86008650	1	COTTER, 1/4" RING		
14	86216580	1	CAP, END, HANDLE, LEFT		
15	86173020	5	SCR, M5 X 10, PPHMS, ISO7045, SS		
16	86221770	1	LEVER, CAM HANDLE		
17	86292910	1	PIN, COTTER, LEVER, 6MM		
18	86224180	1	AXLE, PIVOT, HANDLE		
19	86294660	1	NUT, M14 X 2.0 LOCK, ISO7040, DIN985		
20	86216560	1	CAP, END, HANDLE, RIGHT		
21	8621570	1	HANDLE, EXTRUSION, RIGHT		
22	86293370	4	SCR, M8 X 70, HHCS, GR 10.9 PLT		
23	86293390	4	SCR, M5 X 15 SHCS GR 10.9 BLK		
24	86225990	2	WLDMNT, MNTG PLATE, HANDLE		
25	86224500	4	SPACER, HANDLE EXTRUSION		
26	86198450	1	CLAMP, 5/16 DIA NYLON		



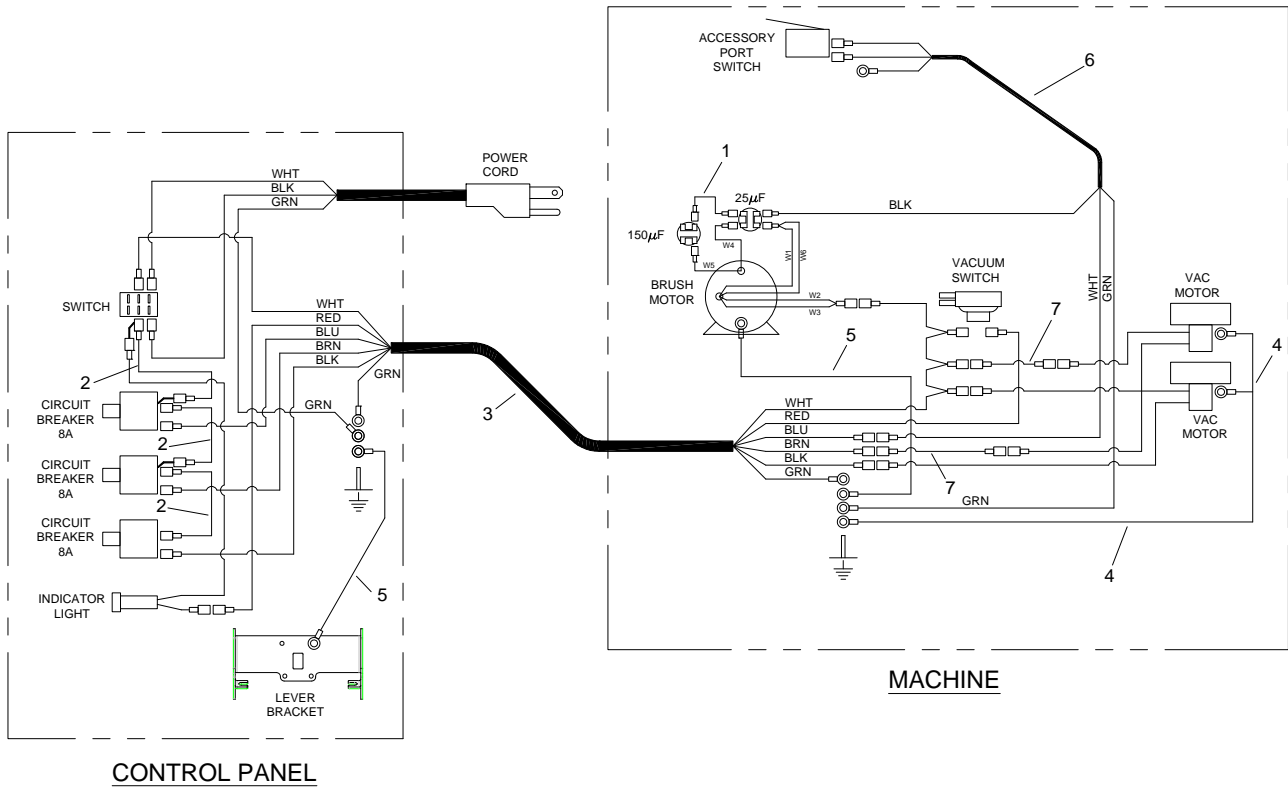
REF	PART NO.	QTY	DESCRIPTION	SERIAL NO. FROM	NOTES
1	86222230	1	NET, CARGO, MOLDED		
2	86292430	11	CLIP, TREE, FASTENER		
3	86297590	6	SCR, M8X25 FHCS, BLK		
4	86218940	2	HINGE, BODY		
5	86291240	1	RAIL, GLIDE, EXTRUDED		
6	86215900	1	BRKT, BODY/HINGE MOUNT		
7	86137280	4	WASHER, M8 FLAT DIN125A PLT		
8	86279130	2	WASHER, 5/16 SPLT STL ZNPLT		
9	86274860	2	SCR,M8X20 HHMS		
10	86225610	1	VACUUM BODY, TRIM		
11	86295940	2	BRACKET, CLIP, ROTOMOLD		
12	86223680	2	SCR, M5X.8X10 PHMS BLK		
13	86369510	2	SCREW, KA50X13, PT, OHS, STL, ZNPLTD		
14	86303870	2	SCR, M8 X 20, BHCS, BLK		





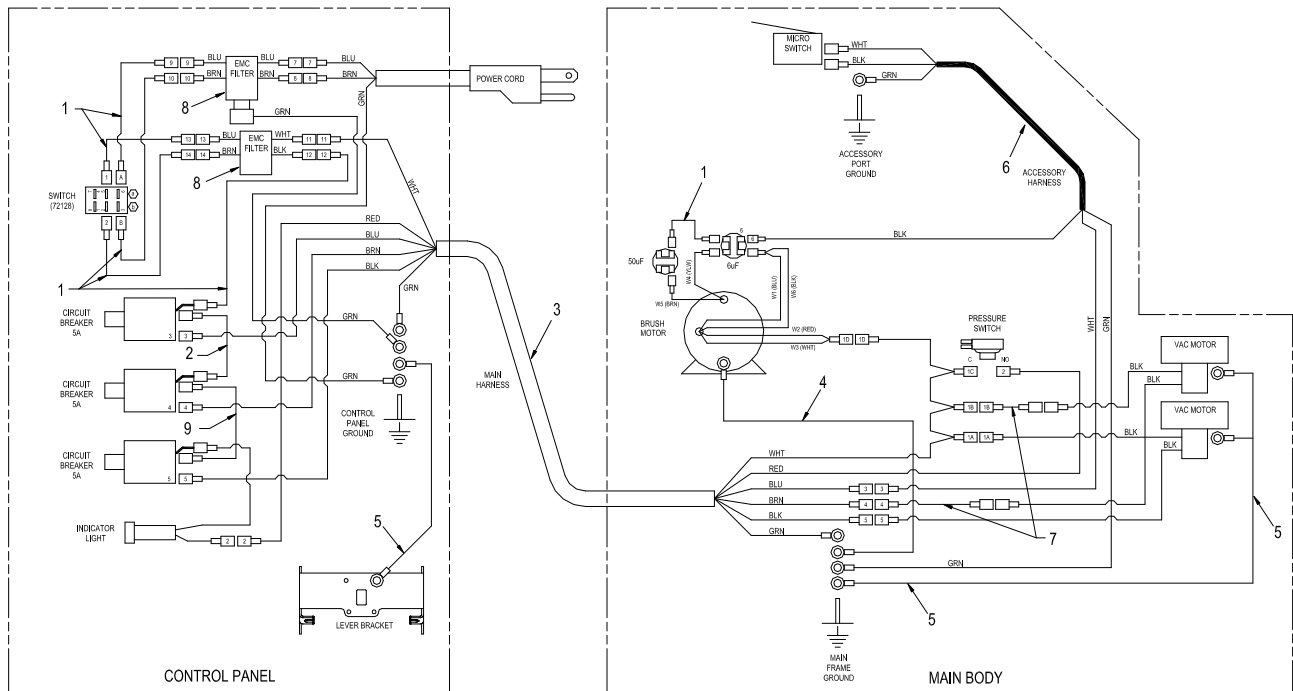
REF	PART NO.	QTY	DESCRIPTION	SERIAL NO. FROM	NOTES
1A	86225510	2	VAC MOTOR, 120V 5.7 1ST TF		120V ONLY
1B	86225520	2	VAC MOTOR, 230V 5.7 1ST TF		230V ONLY
2	86218310	2	GASKET, 5.50OD X 3.85ID X .06		
3	86223070	1	PLATE, MOUNT, VAC MOTOR		
4	86293430	10	SCR, M6X16 HHMS GR 10.9 PLT		
5	86173310	10	WASHER, SPRING LK, M6, DIN127B, SST		
6	86279070	4	WASHER, M6 FLAT		
7	86290450	1	TUBE, EXHAUST, VAC CHAMBER		
8	86290120	1	BOX, ENCLOSURE, VAC MOTOR		
9	86217850	1	FILTER, VAC CHAMBER		
10	86223960	1	SCREEN, VAC CHAMBER		
11	86234760	1	COVER, ACCESSORY PORT		
12	86293390	2	SCR, M5X15 SHCS GR10.9 BLK		
13	86003780	1	GASKET, ACCESSORY PORT		
14	86343510	1	SWITCH, VACUUM, 250VAC, 15" H2O		
15	OPEN	-	-		
16	86173330	2	WASHER, M5, FLAT, ISO7093, SS		
17	86024750	2	NUT, M5 HEX NYLOCK		
18	86277380	8	SCR, M4.8 X 16 PHTF		
19	86225730	6	WASHER, M6 (20.5 OD X 1.6 T) PLT		
20	OPEN	-	-		
21	86288450	2	SCR, M4.8 X 10 HHTF TYPE B		

# Wiring Diagram - 120V



REF	PART NO.	QTY	DESCRIPTION	SERIAL NO. FROM	NOTES
1	86266900	1	WIRE, 5" BLK/14 76029 X 76029		
2	86268400	3	WIRE, 3" BLK/14 76029 X 76050		
3	86218860	1	HARNESS, MAIN VACUUM		
4	86267290	2	WIRE, 14" GRN/18 76008 X 76011		
5	86268210	2	WIRE, 15" GRN/18 76008 X 76008		
6	86218850	1	HARNESS, SWITCH VACUUM		
7	86295540	2	WIRE, JUMPER, 130L X 14GA BLK		

# Wiring Diagram - 230V

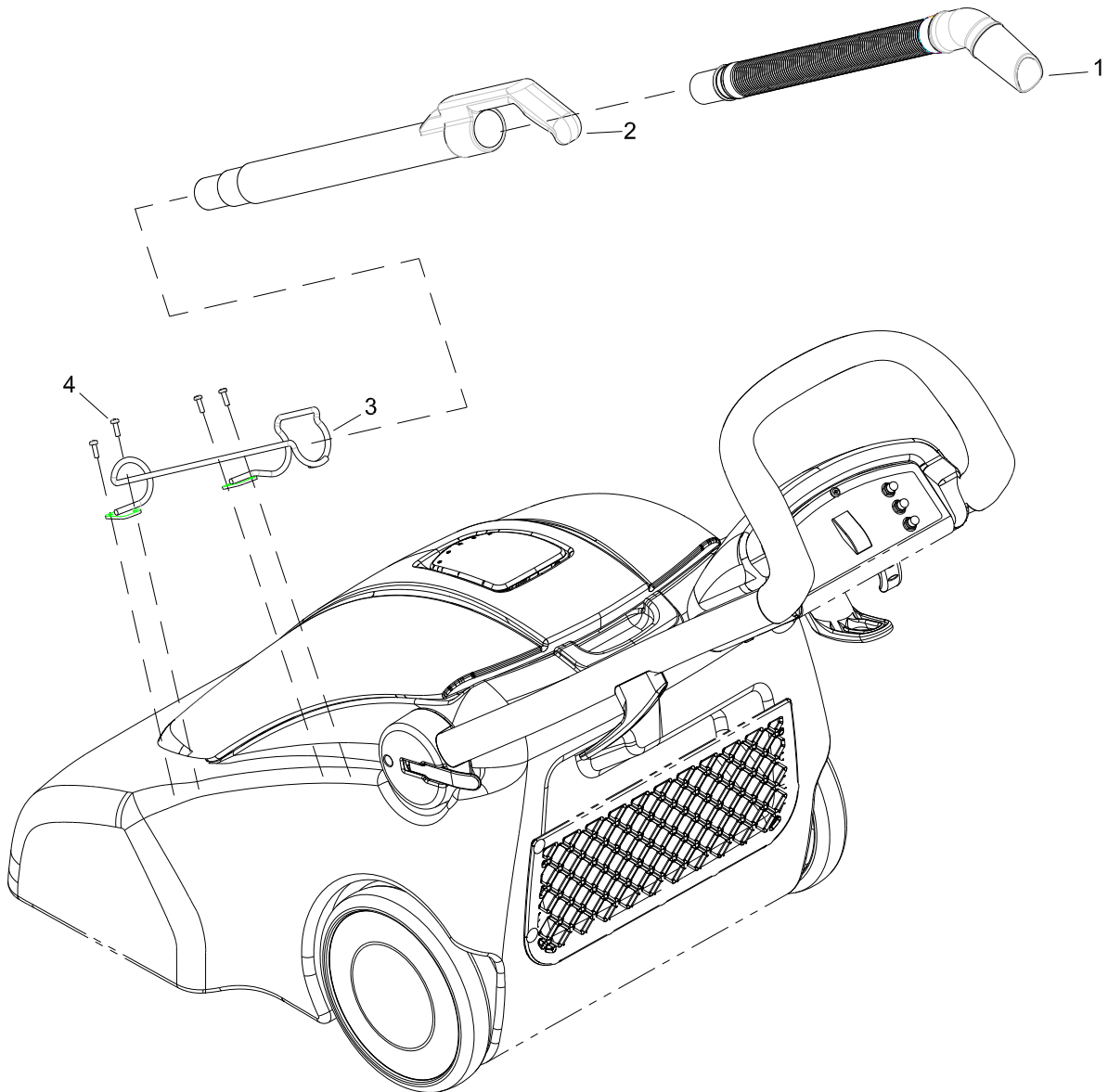


REF	PART NO.	QTY	DESCRIPTION	SERIAL NO. FROM	NOTES:
1	86266900	6	WIRE, 5" BLK/14 76029 X 76029		
2	86268400	2	WIRE, 3" BLK/14 76029 X 76050		
3	86218860	1	HARNESS, MAIN, VACUUM		
4	86267290	1	WIRE, 14" GRN.18 76008 X 76011		
5	86268210	3	WIRE, 15" GRN/18 76008 X 76008		
6	86218850	1	HARNESS, SWITCH VACUUM		
7	86295540	2	WIRE, JUMPER, 130L X 14GA BLK		
8	86217770	1	EMC TILTER ASSY		
9	86303880	1	WIRE, 3" BLK/14 76050X76050		

## Suggested Spare Parts

PART NO.	DESCRIPTION	SERIAL NO. FROM	NOTES:
86216120	BRUSH, 25.5 X 4.0 OD, FRONT		
86216110	BRUSH, 25.5 X 4.0 OD, REAR		
86215310	BELT, TIMING, 5MM X 15MM X 575		
86291380	BELT, 290J6, MICRO-V		
86215670	BREAKER, 8A VDE CIRCUIT		120V ONLY
86215710	BREAKER, 5A VDE CIRCUIT		230V ONLY
86348660	SWITCH, 2 POSN, BRUSH		
86135320	BRUSH SET		120V & 230V
86215090	BAG, PAPER WIDE AREA VAC		
86224630	SPRING, BRUSH CLIP		
86012790	SHAFT ASM, BRUSH DRIVE		
86217850	FILTER, VAC CHAMBER		
86292930	GASKET, BASE PLATE		
86218290	GASKET, CONSOLE, HANDLE		
86238080	GASKET, 1 W X 5/8 FOAM, M		
86238070	GASKET, 1 W X 5/8 FOAM, F		
86218200	GASKET, FITTING ACCESSORY PORT		
86218190	GASKET, CONSOLE, TUBE		
86003780	GASKET, ACCESSORY PORT		
86218310	GASKET, 5.50OD X 3.85ID X .06		







<b>REF</b>	<b>PART NO.</b>	<b>QTY</b>	<b>DESCRIPTION</b>	<b>SERIAL NO. FROM</b>	<b>NOTES</b>
1	86308710	1	ASSY, HOSE		
2	86141550	1	EXTENSION TUBE		
3	86305100	1	WIRE FORM, HOLSTER		
4	86276850	4	SCR, #10 X 5/8 PPHST HI LO BLK		

*Serial Numbers*

---

REF. NO.	MODEL: SERIAL #
1	