

Spare Parts List

(1.009-020.0, 1.009-021.0, 1.009-062.0, 1.009-019.0)

High Speed Burnisher

From Serial Number (Ref No1*)

*See Serial Number Page
or call manufacturer

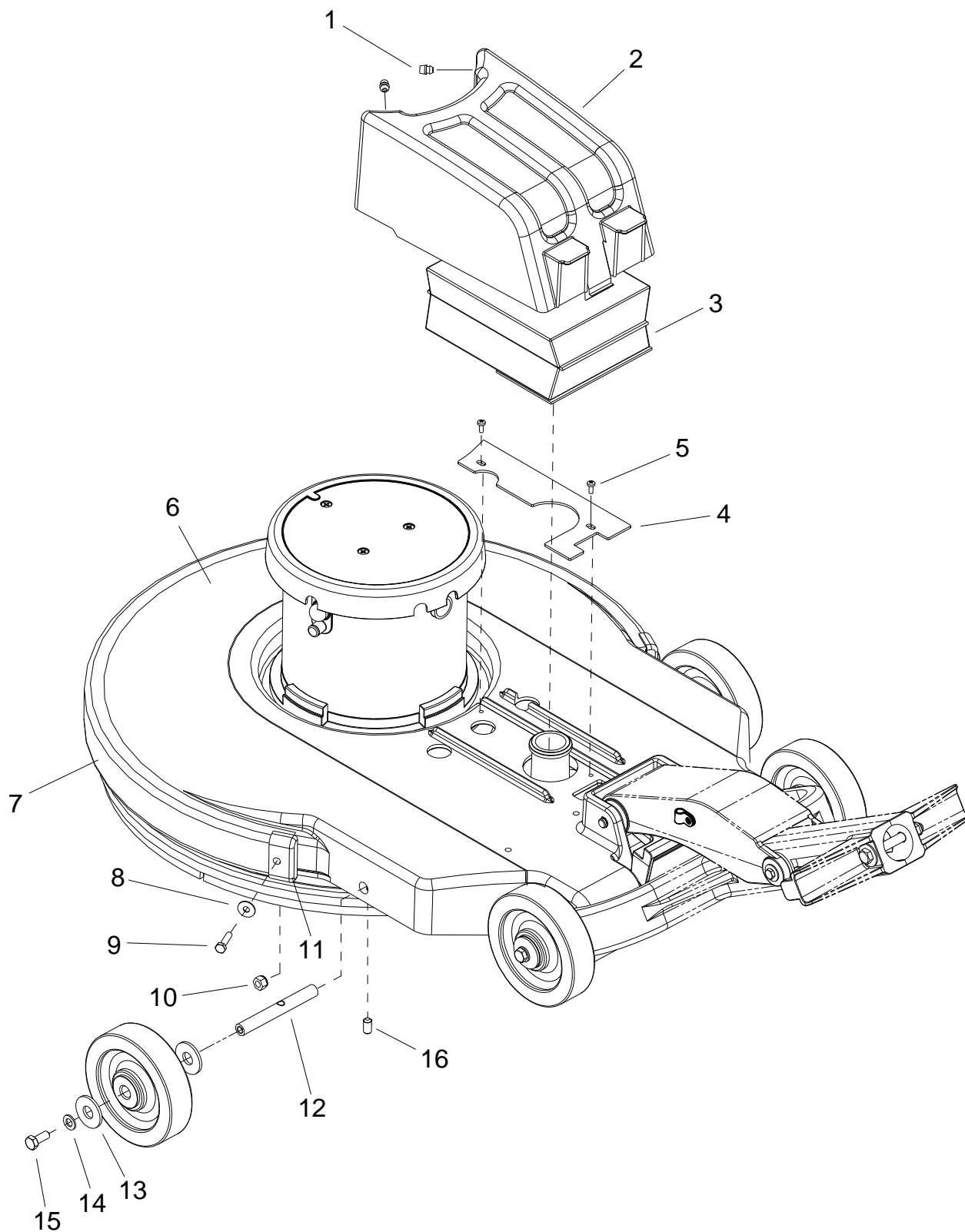
How to Use this Spare Parts List

The PARTS LIST section contains assembled parts illustrations and corresponding parts list. The parts lists include a number of columns of information:

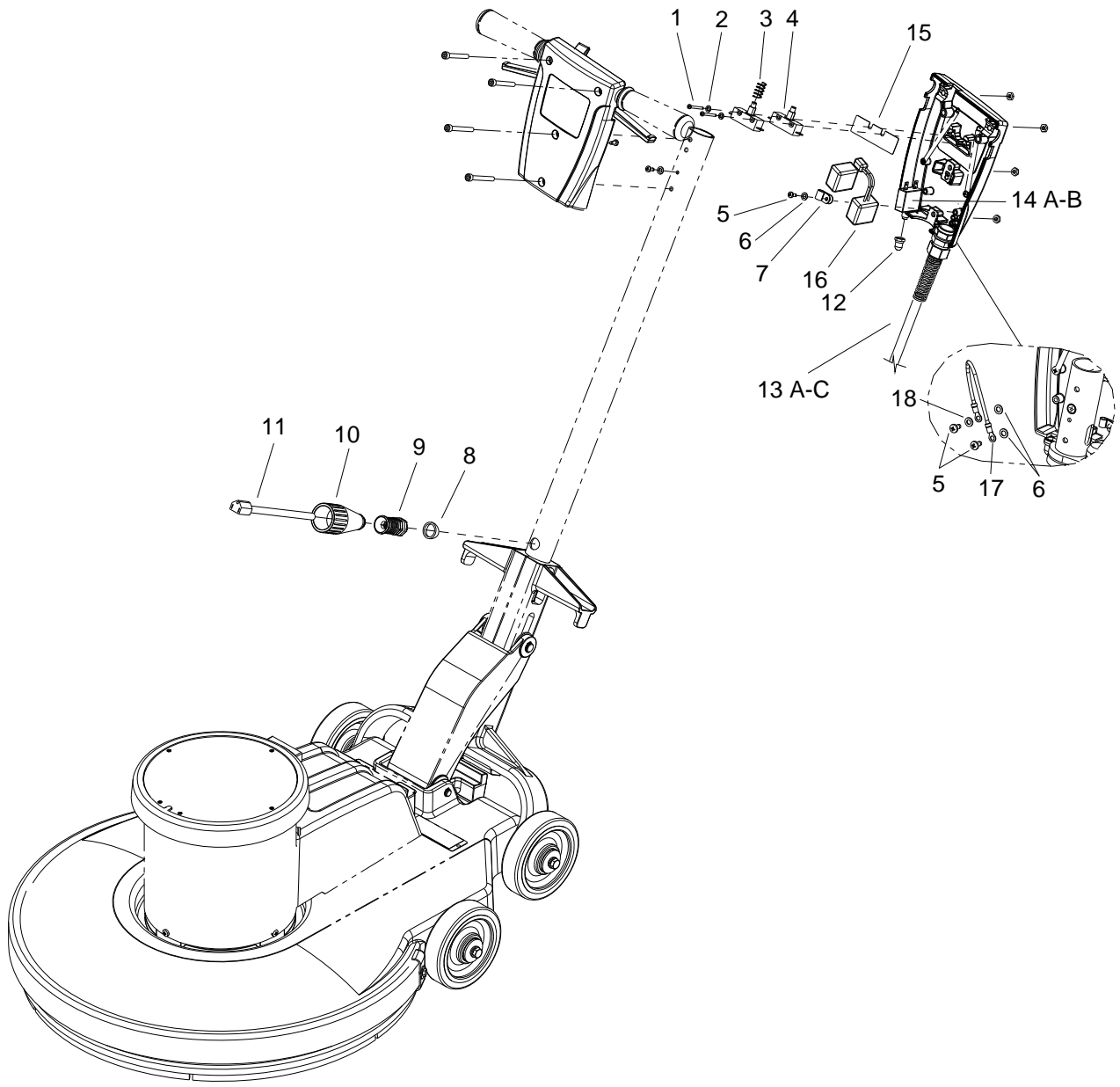
- REF - column refers to the reference number on the parts illustration.
- PART NO. - column lists the part number for the part.
- QTY - column lists the quantity of the part used in that area of the machine.
- DESCRIPTION - column is a brief description of the part.
- SERIAL NO. FROM - If this column has an (*) and a Reference number, see the SERIAL NUMBERS page in the back of your manual. If column has two asterisk (**), call manufacturer for serial number. The serial number indicates the first machine the part number is applicable to. The main illustration shows the most current design of the machine. When a boxed illustration is shown, it displays the older design.
- NOTES - column for information not noted by the other columns.

NOTE: *If a service or option kit is installed on your machine, be sure to keep the KIT INSTRUCTIONS which came with the kit. It contains replacement parts numbers needed for ordering future parts.*

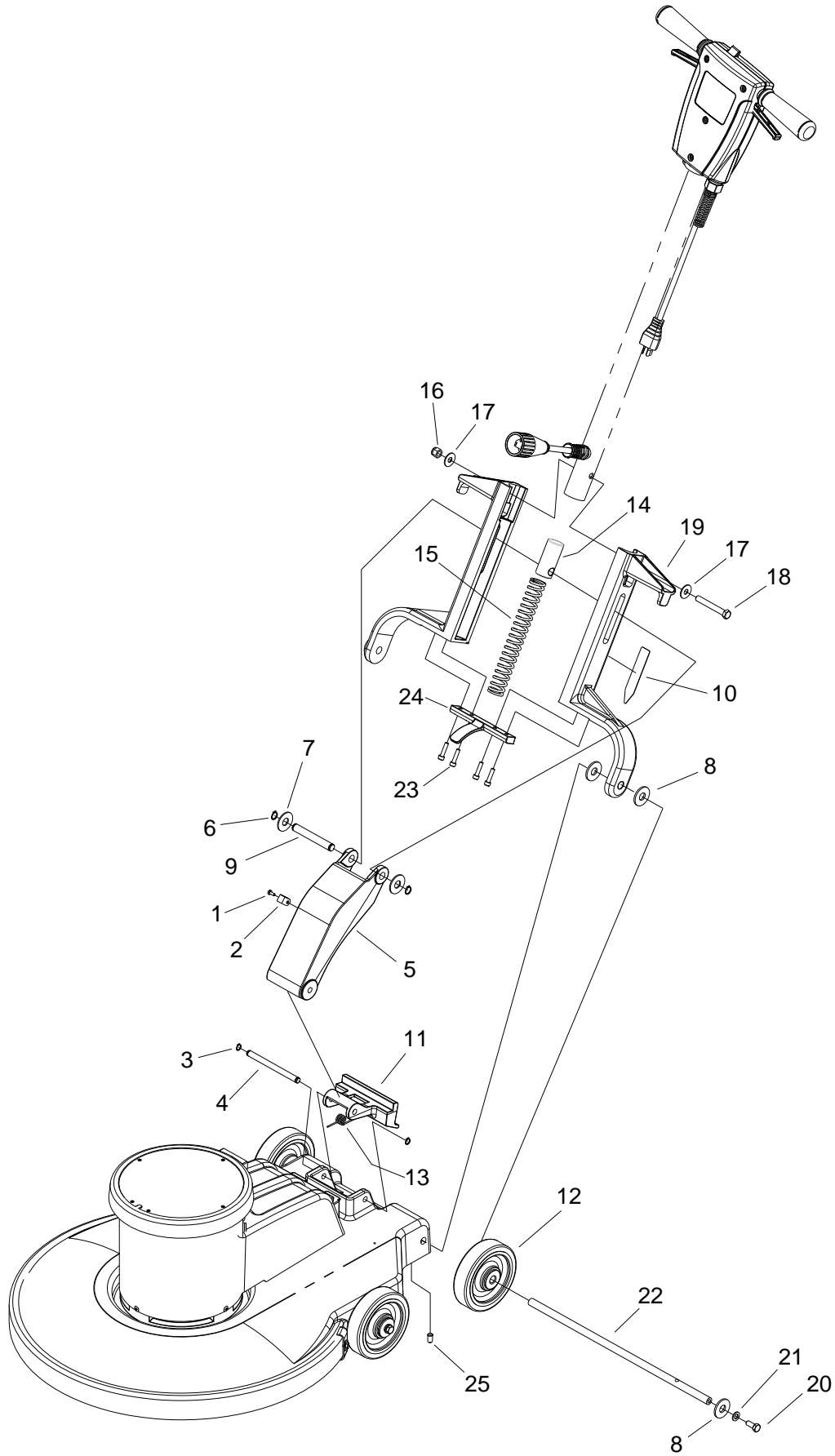
How to Use this Spare Parts List 2
Table of Contents 3
Deck 4
Electrical 6
Handle - Lower 8
Handle - Upper 10
Motor 12
Pad / Driver 14
Wiring - 120V 16
Wiring - 230V 17
Serial Number 18



REF	PART NO.	QTY	DESCRIPTION	SERIAL NO. FROM	NOTES
1	86216280	4	BUMPER, RUBBER		
2	86217520	1	COVER, FILTER BAG		
3	86001390	1	BAG, DUST (PACKAGE OF 10 BAGS)		
4	86223430	1	RETAINER, CORD		
5	86276810	2	SCR, M5 X .8MM X 10 MM PPHMS BLK		
6	86289010	1	DECK, 20 IN BURNISHER, GRY		
7	86216270	1	BUMPER, EXTRUSION		
8	86137340	2	WASHER, M6 FLAT BLK		
9	86372780	2	SCREW, M6-1 X 22, HHCS, BLK		
10	86271550	2	NUT, M6 X 1 HEX NYLOCK PLTD		
11	86216600	2	CAP EXTRUSION		
12	86215020	2	AXLE, FRONT		
13	86225720	4	WASHER, 14MM ID X 36 MM OD		
14	86137280	2	WASHER, M8 FLAT DIN125A PLT		
15	86136640	2	SCR, M8-1.25 X 20 HHMS PLTD		
16	86288740	2	SCR, SET M8 X 1.25 X 8MM CUP POINT		

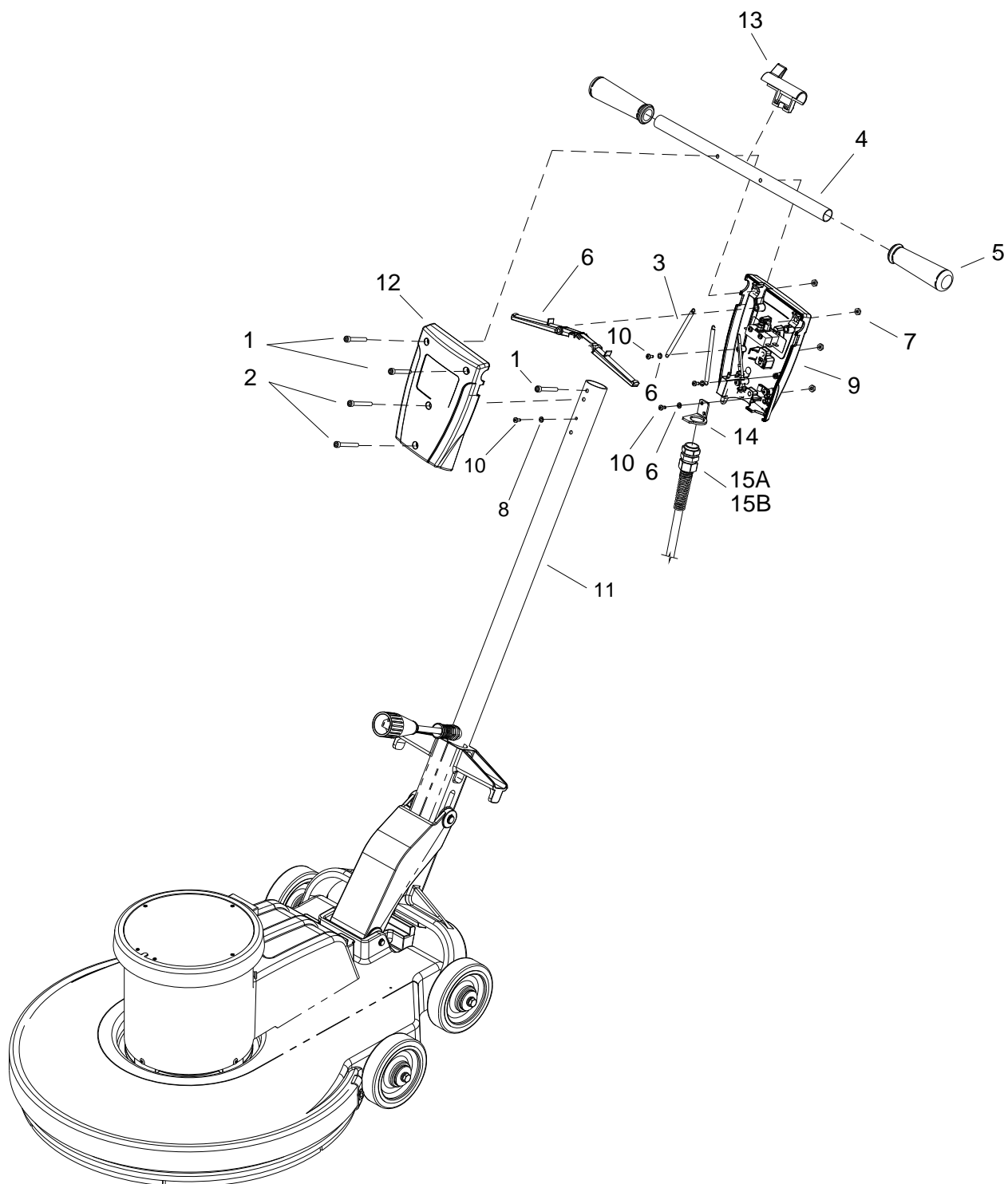


REF	PART NO.	QTY	DESCRIPTION	SERIAL NO. FROM	NOTES
1	86136780	2	SCR, M 3.5 X 40 PHTF TYPE B		
2	86137290	2	WASHER, M4 SHAKEPROOF		
3	86224750	1	SPRING, COMP, .48OD X .91L		
4	86007110	2	SWITCH, 25A SPST 125-250V SNAP		
5	86288450	3	SCR, M4.8 X 10 HHTF TYPE B		
6	86137330	3	WASHER, M5 SHAKEPROOF PLTD		
7	86198450	1	CLAMP, 5/16 NYLON		
8	86227300	1	SPACER, POLISHER HANDLE		
9	86224930	1	STRAIN RELIEF, 14/3 STRAIGHT		
10	86215430	1	BOOT, CORD END		
11	86216940	1	CORD SET, 14/3 X 38 IN,SJT, BLK		
12	86002010	1	BOOT, 3/8 CIRCUIT BREAKER		
13A	86369100	1	CORD SET, ST, 14/75', YLW		LB2000, UB2000F
13B	86369110	1	CORD SET, EURO,75', BLK		LB2000I
13C	86369120	1	CORD SET, AS/NZ, 75', BLK		LB2000IA
14A	86312460	1	BREAKER, 14A, VDE CIRCUIT		LB2000, UB2000F
14B	86291460	1	BREAKER, 11A, VDE CIRCUIT		LB2000I, LB2000IA
15	86215140	1	BARRIER SHEET		
16	86217770	1	EMC FILTER ASSY, MB2000I		230V
17	86352480	1	WIRE, 14AWG, #10R X #10R, YLW W/GRN		
18	86173350	1	WASHER, M5, FLAT, ISO7089, SS		

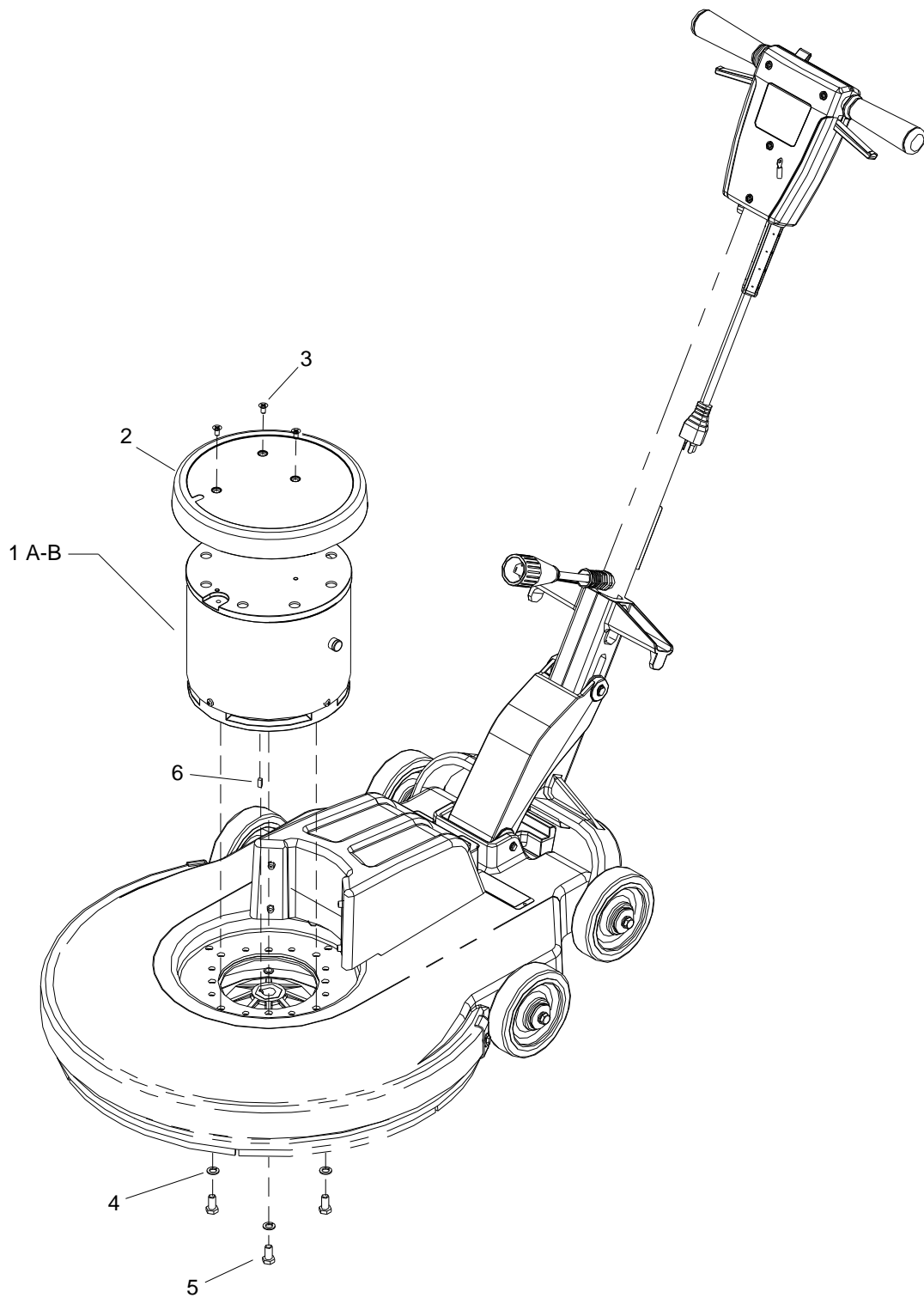


REF	PART NO.	QTY	DESCRIPTION	SERIAL NO. FROM	NOTES
1	86276810	1	SCR, M5 X .8MM X 10 MM PPHMS BLK		
2	86198450	1	CLAMP, 5/16 NYLON		
3	86223490	2	RING, 10MM EXT SNAP, DIN 471		
4	86222570	1	PIN, DOWEL 10MM DIA X 124 MM LG		
5	86215480	1	BRACKET, HANDLE LINK		
6	86223500	2	RING, 13MM EXTERNAL SNAP		
7	86288760	2	WASHER, 14MM ID X 36MM OD X 2MM		
8	86225720	6	WASHER, 14MM ID X 36 MM OD		
9	86224310	1	SPACER, LINKAGE		
10	86288770	1	LABEL, HANDLE RELEASE		
11	86221720	1	LATCH, HANDLE		
12	86226020	2	WHEEL, 5D X 1.25 X 13MM ID GRY		
13	86224590	1	SPRING, 180 DEGREE TORSION		
14	86215390	1	BLOCK, SPRING COMPRESSION		
15	86224580	1	SPRING, COMP 1.140 OD X 8.40 L X .150 W		
16	86005770	1	NUT, 3/8-16 HEX NYLOCK		
17	86279510	2	WASHER, 3/8 FLAT		
18	86274000	1	SCR, 3/8-16 X 3 HHCS GR5		
19	86215470	2	BRACKET, HANDLE MOUNT		
20	86136640	2	SCR, M8-1.25 X 20 HHMS PLTD		
21	86137280	2	WASHER, M8 FLAT DIN125A PLT		
22	86215030	1	AXLE, REAR		
23	86223710	4	SCR, M6 X 25 SHCS PLTD		
24	86225010	1	STRIKER, LATCH		
25	86288740	2	SET SCR, 8MMX1.25MM CUP PT		

NOTE: Grease contact surfaces of Items 14 and 15 as necessary when servicing.



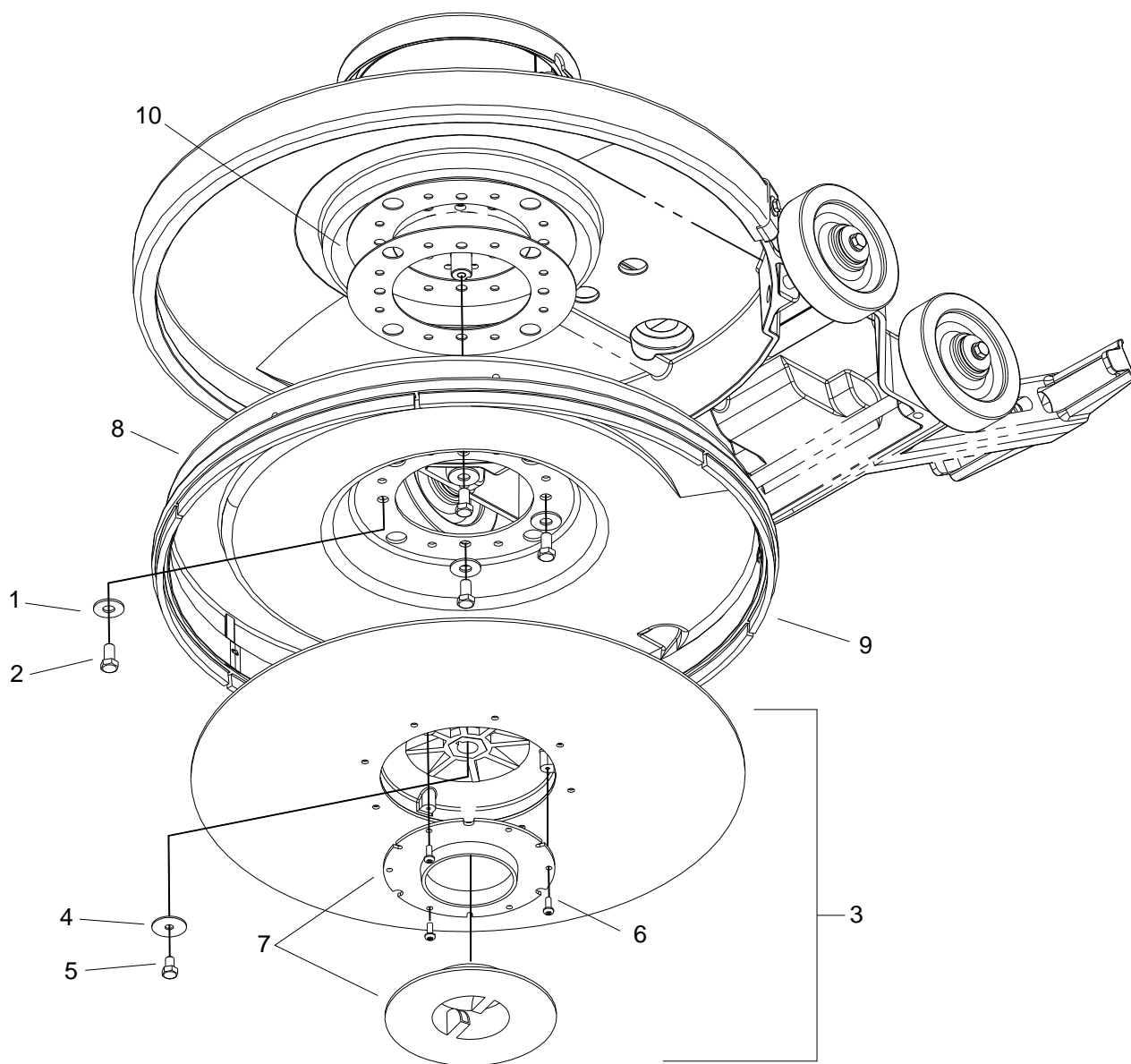
REF	PART NO.	QTY	DESCRIPTION	SERIAL NO. FROM	NOTES
1	86136670	2	SCR, M6 X 45 SHCS BLK		
2	86136680	2	SCR, M6 X 50 SHCS BLK		
3	86224740	2	SPRING, EXT, .50D X 3.5L		
4	86225370	1	TUBE, GRIP HANDLE		
5	86004070	2	GRIP, POLISHER HANDLE		
6	86005160	2	LEVER, SWITCH		
7	86136350	4	NUT, M6 HEX FINISH		
8	86279080	3	WASHER, M4 FLAT DIN125A PLT		
9	86365950	1	HOUSING, FM HANDLE, REAR		
10	86288450	3	SCR, M4.8 X 10 HHTF TYPE B		
11	86225390	1	TUBE, HANDLE		
12	86365960	1	HOUSING, FM HANDLE, FRONT		
13	86005150	1	LOCK, SAFETY HANDLE		
14	86368870	1	BRKT, STRAIN RELIEF MT		
15A	86365780	1	STRAIN RELIEF, METAL, LARGE		120V ONLY
15B	86365760	1	STRAIN RELIEF, METAL, SMALL		230V ONLY



REF	PART NO.	QTY	DESCRIPTION	SERIAL NO. FROM	NOTES
1A	86312260	1	MOTOR, 115V 1.5HP 20000RPM		LB2000, UB20000F
1B	86312250	1	MOTOR, 230V 1.5HP 20000RPM		LB2000I, LB2000IA
2	86217490	1	COVER, MOTOR 1.25HP		
3	86223690	3	SCR, M5 X .8 X15MM BLK		
4	86010790	4	WASHER, 3/8 SPLIT LOCK PLTD		
5	86006740	4	SCREW 3/8-16 X 1" HHCSGR5PLT DL		
6	86219610	1	KEY, 3/16 SQ X .85 LG CRS		

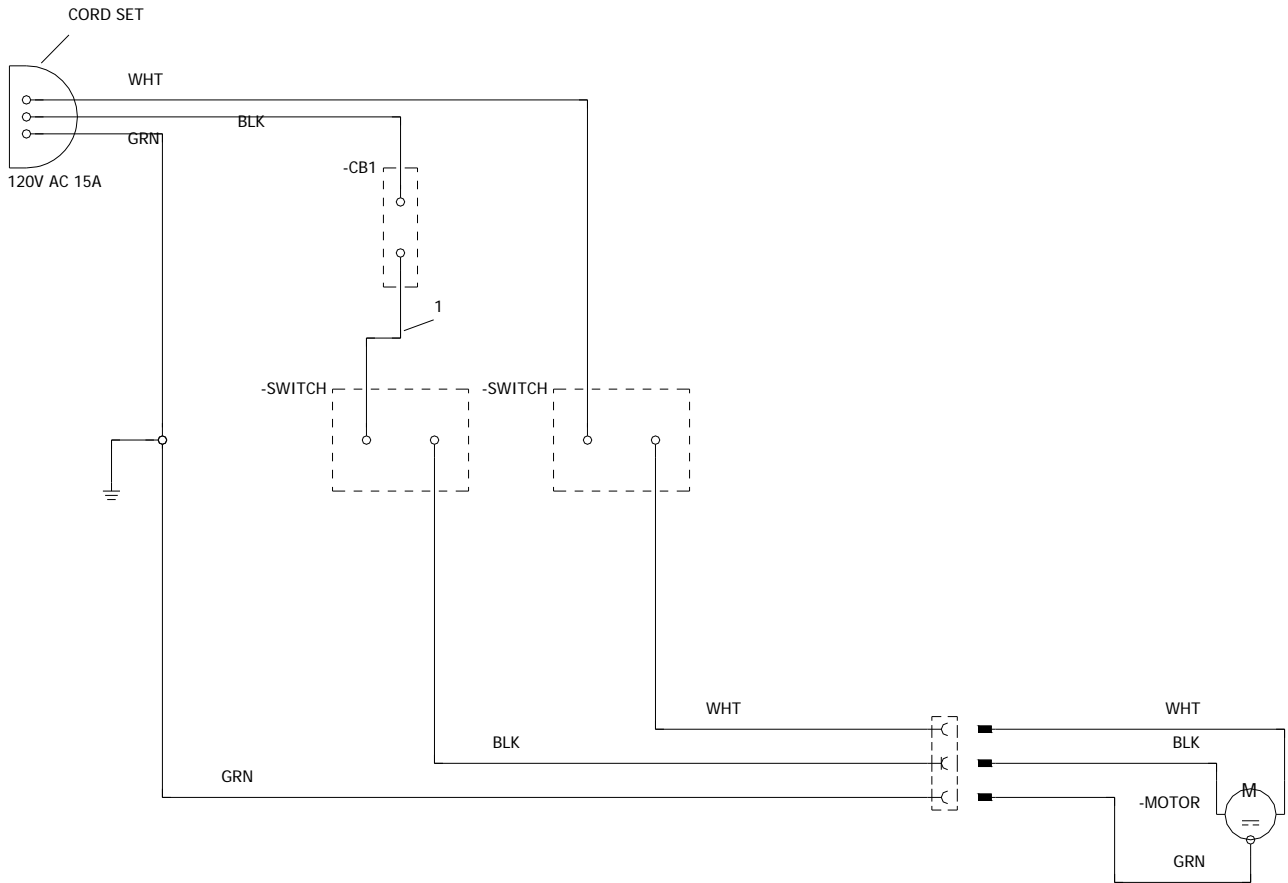
Motor Components (NOT SHOWN)

PART NO.	QTY	DESCRIPTION	SERIAL NO. FROM	NOTES
86223460	1	RECTIFIER, 50A 1000V BRIDGE		
86001720	1	BRUSH SET (PKG OF 4)		
86003660	1	FUSE		
86003670	1	FUSE HOLDER		
86335550	1	BALL BEARING, 6005Z		BOTTOM MOTOR BEARING
86001020	1	BALL BEARING, 6203ZZ		TOP MOTOR BEARING

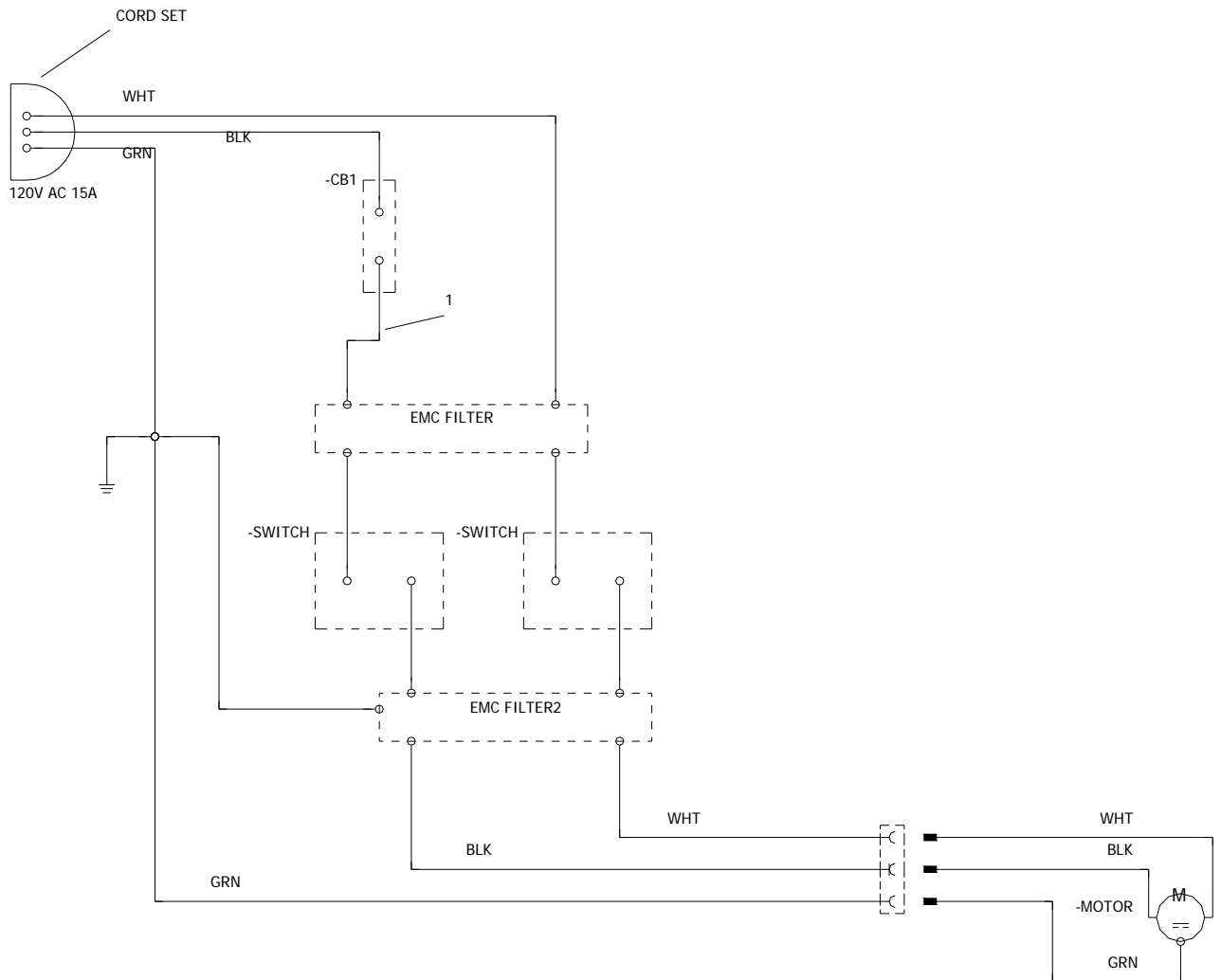


REF	PART NO.	QTY	DESCRIPTION	SERIAL NO. FROM	NOTES
1	86010720	4	WASHER, M10 X 30 PLTD		
2	86006740	4	SCREW 3/8-16 X 1" HHCSGR5PLT DL		
3	86222470	1	PAD DRIVER, 20 INCH BURNISHER		INCLUDES ITEMS 6 & 7
4	86279210	1	WASHER, 5/16 ID X 1-1/4 OD		
5	86274590	1	SCR, 5/16-24 X 1/2 HHMS SS		
6	86276740	3	SCR, #10 X 3/8 PPHST TYPE B		
7	86246740	1	LOCK, PAD DRIVER BLUE		
8	86223660	1	SHROUD, ASM. 20 IN BURNISHER		INCLUDES ITEM 9
9	86216230	1	BRUSH, STRIP (PACKAGE OF 6)		
10	86356840	2	SHIM, BURNISHER, 1,5MM		

Wiring - 120V



REF	PART NO.	QTY	DESCRIPTION	SERIAL NO. FROM	NOTES:
1	86311830	1	WIRE, 125MM, BLK/14, 76029X76029		



REF	PART NO.	QTY	DESCRIPTION	SERIAL NO. FROM	NOTES:
1	86311830	1	WIRE, 125MM, BLK/14, 76029X76029		

Serial Number

REF. NO.	MODEL: SERIAL #
1	**

