

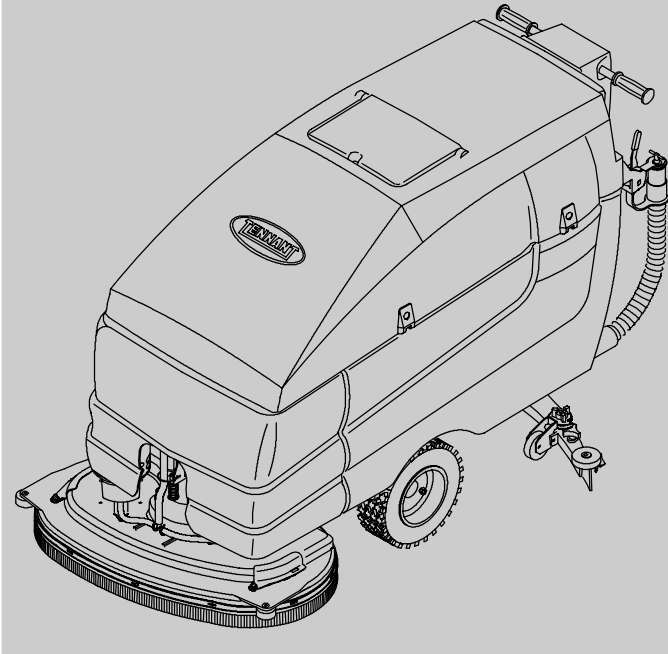
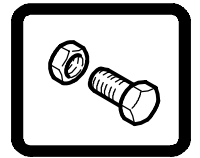


5680

(Electric)

(000000-029999)

Walk-Behind Scrubber Parts Manual



FAST
Foam Scrubbing Technology[®]
The Safe Scrubbing Alternative[®]

North America / International

www.tennantco.com

330450
Rev. 08 (09-2006)



When ordering replacement parts, use the illustrated parts list section in this manual. Before ordering parts or supplies, be sure to have your machine model number and serial number available. Only use TENNANT Company supplied or equivalent parts. Parts and supplies may be ordered online, by phone, or mail from any authorized parts and service center, distributor or from any of the manufacturer's subsidiaries.

This machine will provide excellent service. However, the best results will be obtained at minimum costs if:

- The machine is operated with reasonable care.
- The machine is maintained regularly - per the machine maintenance instructions provided.
- The machine is maintained with manufacturer supplied or equivalent parts.

MACHINE DATA

Please fill out at time of installation for future reference.

Model No. - _____

Serial No. - _____

Machine Options - _____

Sales Rep. - _____

Sales Rep. phone no. - _____

Customer Number - _____

Installation Date - _____

Tennant Company

PO Box 1452

Minneapolis, MN 55440

Phone: (800) 553-8033 or (763) 513-2850

www.tennantco.com

FaST-PAK is a US registered and unregistered trademark of Tennant Company.

Specifications and parts are subject to change without notice.

Copyright © 2000, 2002, 2004, 2005, 2006 TENNANT Company, Printed in U.S.A.

HOW TO USE THIS MANUAL

This section on *HOW TO USE THIS MANUAL* will tell you how to:

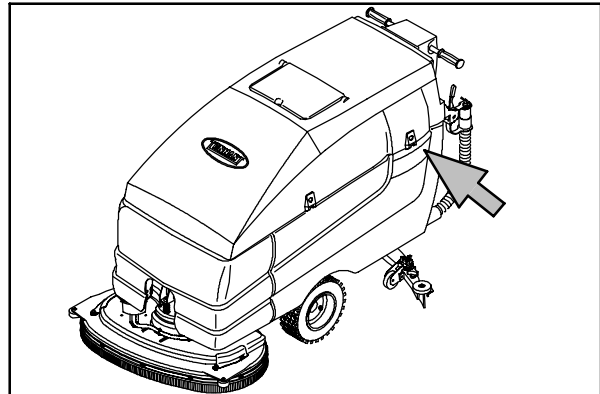
- Find important machine information for ordering correct repair parts.
- Find TENNANT part numbers.
- Order TENNANT parts and supplies.

IMPORTANT INFORMATION

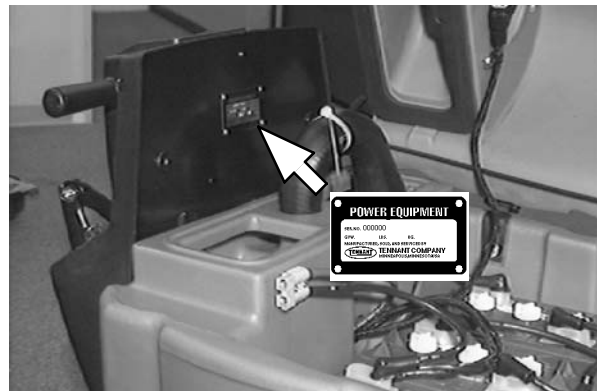
When placing an order for parts, the machine model and machine serial number are important. Refer to the *MACHINE DATA* box which is filled out during the installation of your machine. The *MACHINE DATA* box is located on the inside of the front cover of this manual.

MACHINE DATA	
<i>Please fill out at time of installation for future reference.</i>	
Machine Model Number -	5680
Machine Serial Number -	_____
Machine Options -	_____
TENNANT Representative/phone no. -	_____
Customer ID Number -	_____
Date of Installation -	_____
Manual Number -	330450
Revision:	00
Published:	6-00

The model number of your machine is on the side of the machine.



The serial number of your machine is printed on the machine data plate located as shown.



HOW TO USE THIS MANUAL

FINDING A TENNANT PART NUMBER

This manual contains the following sections:

- HOW TO USE THIS MANUAL
- STANDARD PARTS
- OPTIONS
- BREAKDOWNS
- CROSS REFERENCE

The STANDARD PARTS section lists repair parts for standard machines. They are grouped in this general order:

- General wear parts.
- Machine frame and related parts.
- Machine propelling system.
- Scrubbing components.
- Electrical parts.

The OPTION section lists repair parts of options.

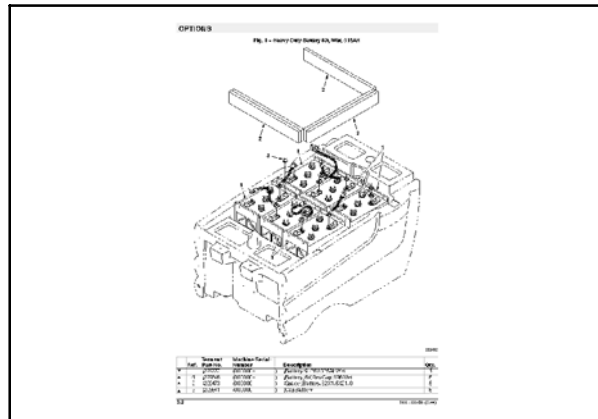
The BREAKDOWN section lists available repair parts of major components.

All sections in this manual consist of parts illustrations and corresponding parts lists.

The parts illustrations are numbered with **Ref** numbers which refer to corresponding parts lists.

The parts lists include a number of columns of information:

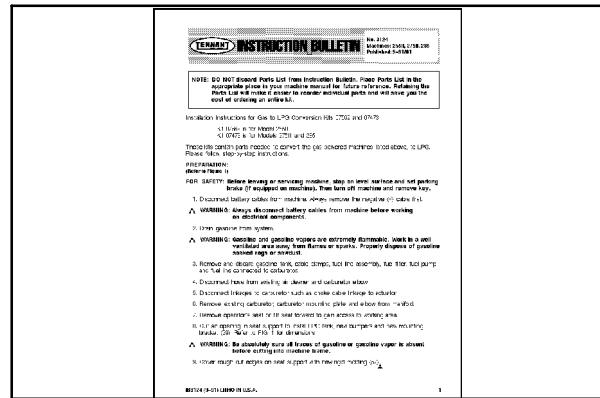
- **Ref** - column refers to the reference number on the parts illustration.
- ∇ - indicates the part is an assembly.
- ▲ - indicates the part is included in the assembly listed just before it.
- **Part No.** - column lists the TENNANT part number for the part.
- **Serial Number** - column indicates the set of machines the part number is applicable to. Serial numbers change when the machine design has been modified. The most current design of the machine is shown in the main illustration, older designs are boxed in a corner of the illustration.
- **Description** - column is a brief description of the part.
- **Qty.** - column lists the quantity of that part used in that area of the machine.



Tennant Ref.	Part No.	Machine Serial	Description	Qty.
1	222029	000000-	Frame, WH, Main, [6700]	1
2	12273	000000-	Screw, Hex, M06 X 1.25 X 20, Ss, Ni	4
3	01866	000000-	Washer, Flt., .31 Ss	20
4	397707	000000-	Transaxle, Ele, W/1.25hp Motor	1
▲	5	222371	Motor, Ele, .36vdc, .50hp 1500rpm	1
8	222035	000000-	Isolator, Vib, Transaxle	2
7	222036	000000-	Bracket, Mtg, Isolator	2
9	09011	000000-	Screw, Hex, M06 X 1.25 X 30, Ss	6
9	09713	000000-	Nut, Hex, Lock, M06 X 1.25, Ni, Ss	9
10	222039	000000-	Bracket, Mtg, Transaxle	1
11	43600	000000-	Chain, Col, Str, #210, 09.00 07 Link	1
12	30406	000000-	Clip, Keeper	1
13	09010	000000-	Screw, Hex, M06 X 1.25 X 25, Ss	1
14	09026	000000-	Screw, Hex, M06 X 1.25 X 40, Ss	2
15	32662	000000-	Washer, 0.36x 1.25x .06, Ss	2
16	69658	000000-	Screw, Hex, M06 X 1.25 X 35, Ss, Ni	1
17	61558	000000-	Tire Assy, Foam, 410/3.5-06 3.5x3/8 Bolt	2
18	11109	000000-	Nut, Wheel, .44-20 X 60 Angle	6
19	337605	000000-	Plate, Castor	1
20	04843	000000-	Bushing, Flng, 0.63x 0.72x 0.25	2
21	222467	000000-	Castor, 6.0 D Wheel	2
22	12333	000000-	Screw, Hex, M06 X 1.25 X 25, Ss, Ni	6
23	41196	000000-	Washer, Belleville, .31	6
24	222469	000000-	Spring, Flt, Centering	1

NOTE: If a service kit is installed on your machine, be sure to keep the **INSTRUCTION BULLETIN** which came with the kit. It contains repair parts numbers needed for ordering future parts.

NOTE: Fasteners used in this machine may be metric or non-metric. Take care when replacing hardware to replace with same thread size.



PLACING AN ORDER

Orders may be placed by phone, fax, or by mail. Phone orders may need written confirmation. Follow the steps below to insure prompt delivery:

1. Identify the model number of your machine.
2. Identify the serial number of your machine.
3. Find the part number of the part you need. Do not order by page number or reference number. If you are not able to find the part number, call your TARRANT representative for help or send the old part as a sample.
4. Determine the quantity of the part you need.
5. Provide the following company information:
 - Company name
 - Customer ID Number
 - Shipping address
 - Billing address
 - First and last name of person ordering parts
 - Telephone number
 - Purchase order number
6. Provide definitive shipping instructions.

HOW TO USE THIS MANUAL

Any claim for loss or damage to a shipment in transit should be filed promptly with the transportation company making the delivery. Shipments will be complete unless the packing list or order acknowledgement indicates items back ordered.

If parts received are suspected to be incorrect or defective, please contact the TENNANT representative from whom you ordered the part. They will give authorization for return and/or handle replacement shipments when required.

SECTION 2

Contents	Page
Fig. 1 - General Recommended Maintenance Items	2-3
Fig. 2 - Brushes, Replacement, Model 700, 700 mm (28 in)	2-4
Fig. 3 - Brushes, Replacement, Model 800, 800 mm (32 in)	2-6
Fig. 4 - Brushes, Replacement, Model 900, 900 mm (36 in)	2-8
Fig. 5 - Main Frame and Drive Group	2-10
Fig. 6 - Scrub Head Lift Group	2-12
Fig. 7 - Scrub Head Kit, Model 700D, 700 mm (28 in)	2-14
Fig. 8 - Scrub Head Kit, Model 800D, 800 mm (32 in)	2-16
Fig. 9 - Scrub Head Kit, Model 900D, 900 mm (36 in)	2-18
Fig. 10 - Recovery Tank Group (000000-014333)	2-20
Fig. 11 - Recovery Tank Group (014334-)	2-22
Fig. 12 - Solution Tank Group	2-24
Fig. 13 - Vacuum Fan Group	2-26
Fig. 14 - Solution Control Group (000000-011001)	2-28
Fig. 15 - Solution Control Group (011002-)	2-30
Fig. 16 - Battery Group	2-32
Fig. 17 - Steering Control Group	2-34
Fig. 18 - Operator Console Group	2-36
Fig. 19 - Electrical Panel Group	2-38
Fig. 20 - Squeegee Lift Group	2-40
Fig. 21 - Squeegee Linkage Group	2-42
Fig. 22 - Squeegee Group, Model 700, 700 mm (28 in)	2-44
Fig. 23 - Squeegee Group, Model 800, 800 mm (32 in)	2-46
Fig. 24 - Squeegee Group, Model 900, 900 mm (36 in)	2-48
Fig. 25 - Electrical Schematic (000000-012929)	2-50
Fig. 26 - Electrical Schematic (012930-)	2-52
Fig. 27 - Electrical Wire Harness Group	2-54
Fig. 28 - Label Group	2-60

Fig. 1 - General Recommended Maintenance Items

Ref.	Part No.	Serial Number	Description	Qty.
	222381	(000000-) Blade, Squeegee,Front, 28"	1
	222382	(000000-) Blade, Squeegee,Rear, 28"	1
▽	222422	(000000-) Squeegee Kit F/Tile Gumrbr 700	1
▲	222385	(000000-) Blade, Squeegee,Tile, 28"	1
▲	222387	(000000-) Blade, Sqge,Rear,Gum, 28"	1
▽	222428	(000000-) Squeegee Kit Oil Rs Urethn 700	1
▲	222391	(000000-) Blade, Sqge, Front, 28", Oil Rst	1
▲	222389	(000000-) Blade, Sqge, Rear, 28", Oil Rst	1
	222241	(000000-) Blade, Squeegee,Front, 32"	1
	222242	(000000-) Blade, Squeegee,Rear, 32"	1
▽	222423	(000000-) Squeegee Kit F/Tile Gumrbr 800	1
▲	222384	(000000-) Blade, Squeegee,Tile, 32"	1
▲	222386	(000000-) Blade, Sqge,Rear,Gum, 32"	1
▽	222429	(000000-) Squeegee Kit Oil Rs Urethn 800	1
▲	222392	(000000-) Blade, Sqge, Front, 32", Oil Rst	1
▲	222388	(000000-) Blade, Sqge, Rear, 32", Oil Rst	1
	222413	(000000-) Blade, Squeegee,Front, 36"	1
	222415	(000000-) Blade, Squeegee,Rear, 36"	1
▽	222424	(000000-) Squeegee Kit F/Tile Gumrbr 900	1
▲	222414	(000000-) Blade, Squeegee,Tile, 36"	1
▲	222416	(000000-) Blade, Sqge,Rear,Gum, 36"	1
▽	222433	(000000-) Squeegee Kit Oil Rs Urethn 900	1
▲	222434	(000000-) Blade, Sqge, Front, 36", Oil Rst	1
▲	222435	(000000-) Blade, Sqge, Rear, 36", Oil Rst	1
	222066	(000000-) Wheel, 3.0 Dia	4
	82138	(000000-) Nut Speed,Retainer, .25-20 Thd	2
	222178	(000000-) Roller, Bumper	2
	222403	(000000-) Wheel, 2.0 Dia	2
	397769	(000000-) Skirt Assy, 28 Inch Disk Head	1
	397763	(000000-) Skirt Assy, 32 Inch Disk Head	1
	397771	(000000-) Skirt Assy, 36 Inch Disk Head	1
	1017015	(000000-) Detergent Pkg, 2 Liter, Sgl, 365	-
	1017022	(000000-) Detergent Pkg, 2 Liter, Sgl, 665	-
	9002021	(000000-) Detergent, 2 Liter [Fast 965]	-

Fig. 2 - Brushes, Replacement, Model 700, 700 mm (28 in)

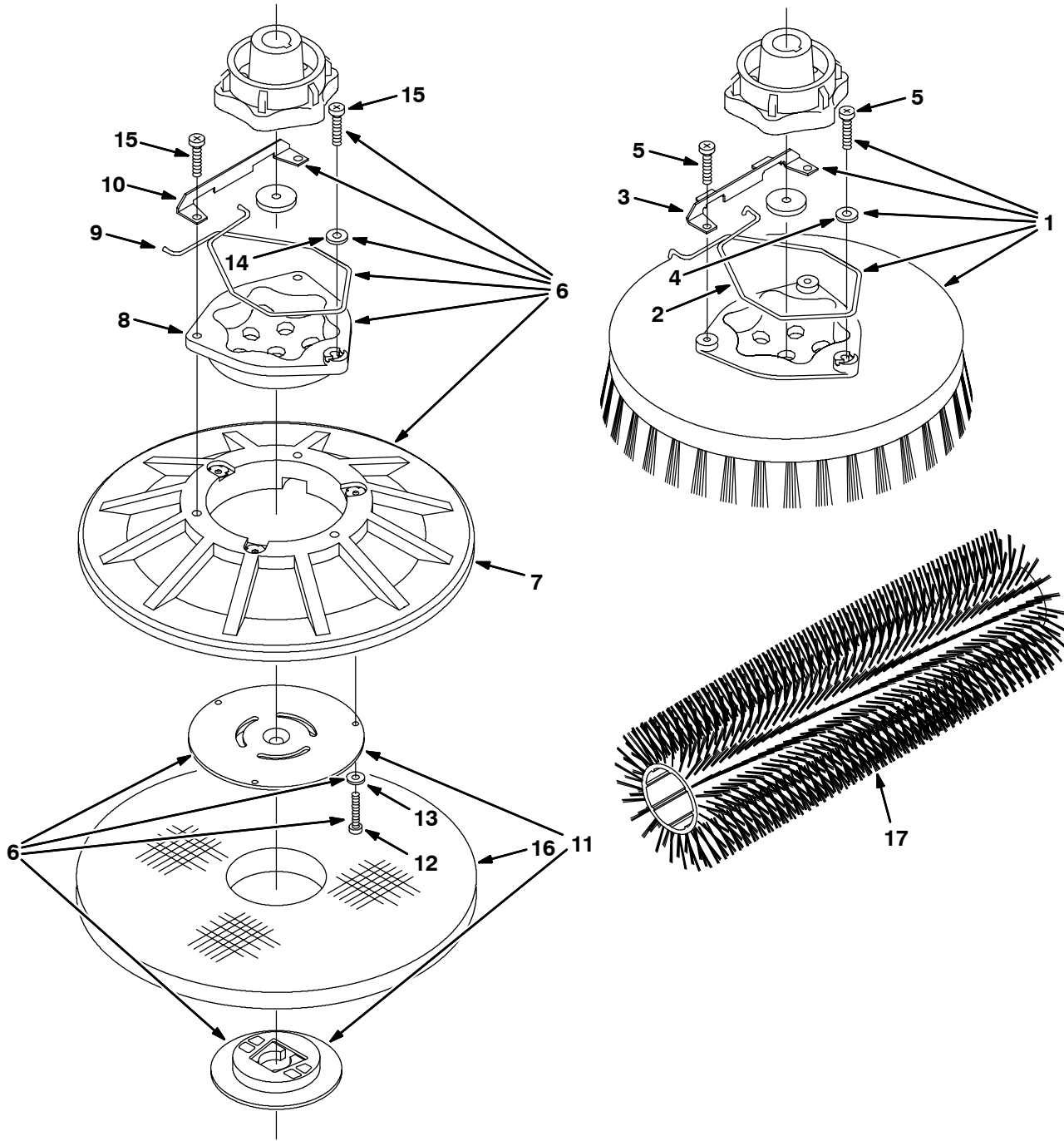


Fig. 2 - Brushes, Replacement, Model 700, 700 mm (28 in)

Ref.	Part No.	Serial Number	Description	Qty.
▽	1	222321	(000000-) Brush-Disk Scr 14 D Assy-Nylon	2
▲	2	14838	(000000-) Spring, Brush Retaining	1
▲	3	24299	(000000-) Bracket, Spring Retainer	1
▲	4	01684	(000000-) Washer, Flat, 0.25 Ss	1
▲	5	32746	(000000-) Screw, Pan, M6 X 1.0 X 35, Ss	3
▽	1	222320	(000000-) Brush-Disk Scr 14 D Assy-Poly	2
▲	2	14838	(000000-) Spring, Brush Retaining	1
▲	3	24299	(000000-) Bracket, Spring Retainer	1
▲	4	01684	(000000-) Washer, Flat, 0.25 Ss	1
▲	5	32746	(000000-) Screw, Pan, M6 X 1.0 X 35, Ss	3
▽	1	222322	(000000-) Brush-Disk Scr 14 D-Assy-Ab	2
▲	2	14838	(000000-) Spring, Brush Retaining	1
▲	3	24299	(000000-) Bracket, Spring Retainer	1
▲	4	01684	(000000-) Washer, Flat, 0.25 Ss	1
▲	5	32746	(000000-) Screw, Pan, M6 X 1.0 X 35, Ss	3
▽	6	397914	(000000-) Driver Assy, Pad, 14d	2
▲	7	397974	(000000-) Disk, Pad Driver, W/ Face, 14d	1
▲	8	15539	(000000-) Adaptor, Brush	1
▲	9	14838	(000000-) Spring, Brush Retaining	1
▲	10	24299	(000000-) Bracket, Spring Retainer	1
▲	11	370095	(000000-) Device, Centering	1
▲	12	09198	(000000-) Screw, Pan, M4 X 0.7 X 35, Ss	3
▲	13	41579	(000000-) Washer, Flat, #8, Ss	3
▲	14	01684	(000000-) Washer, Flat, 0.25 Ss	1
▲	15	32746	(000000-) Screw, Pan, M6 X 1.0 X 35, Ss	3
	16	222324	(000000-) Pad, Polish 14D White	2
	16	222325	(000000-) Pad, Buff 14D Red	2
	16	222326	(000000-) Pad, Scrub 14D Blue	2
	16	222327	(000000-) Pad, Strip 14D Brown	2
	16	370091	(000000-) Pad, Strip-Hd 14D Black	2
	17	222304	(000000-) Brush, Scb, 28l, 18 Sr, Pyp Grout, Spl	2
	17	374041	(000000-) Brush, Scb, 28l, 18 Sr, Pyp, Spl	2
	17	222305	(000000-) Brush, Scb, 28l, 18 Sr, Nyl, Spl	2
	17	222306	(000000-) Brush, Scb, 28l, 18 Sr, Abr, Spl	2

Fig. 3 - Brushes, Replacment, Model 800, 800 mm (32 in)

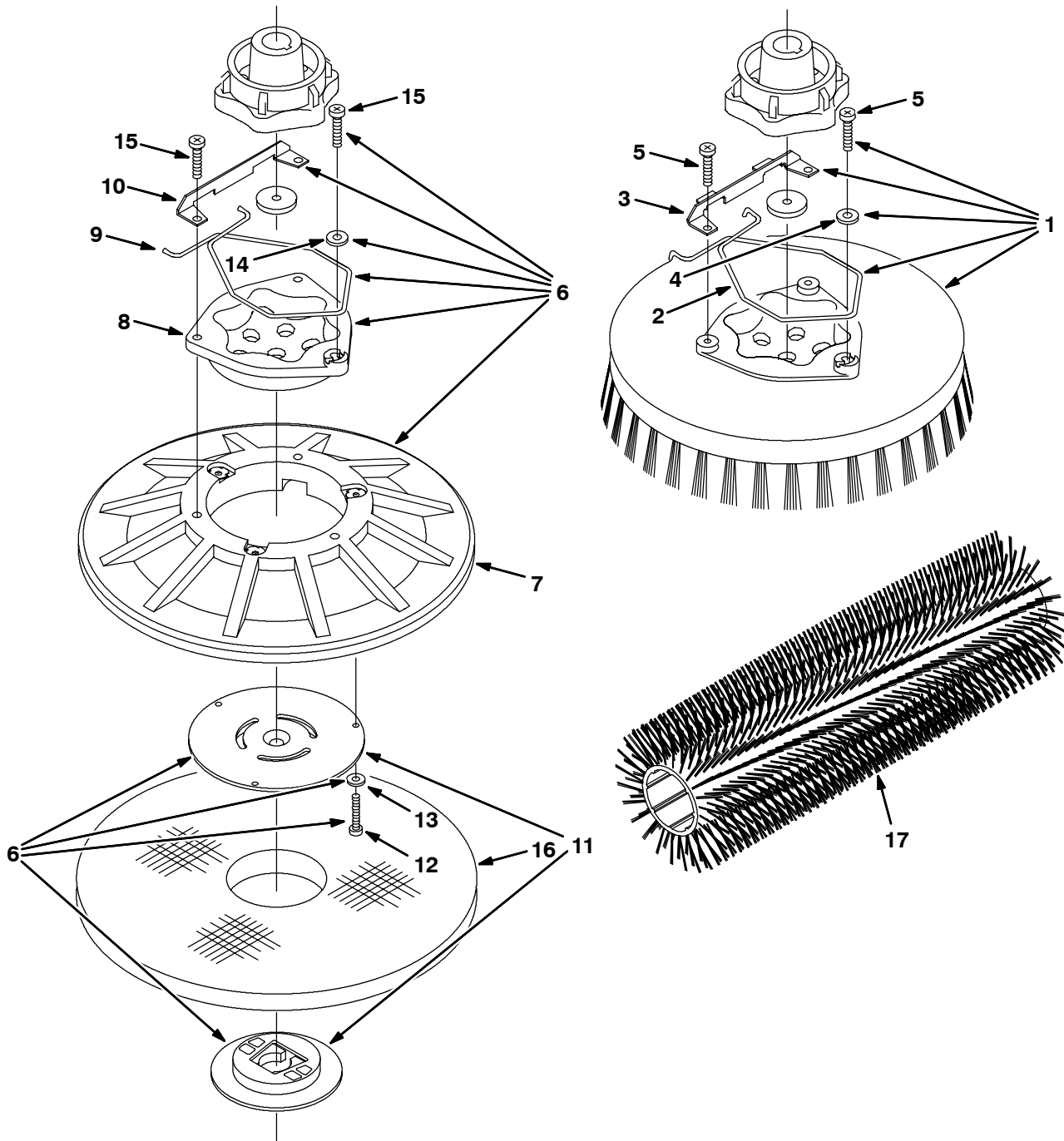


Fig. 3 - Brushes, Replacment, Model 800, 800 mm (32 in)

Ref.	Part No.	Serial Number	Description	Qty.
▽	1	05724	(000000-) Brush-Disk Scr 16 D-Assy-Nyl	2
▲	2	14838	(000000-) Spring, Brush Retaining	1
▲	3	24299	(000000-) Bracket, Spring Retainer	1
▲	4	01684	(000000-) Washer, Flat, 0.25 Ss	1
▲	5	32746	(000000-) Screw, Pan, M6 X 1.0 X 35, Ss	3
▽	1	30241	(000000-) Brush-Disk Scr 16 D Assy Poly	2
▲	2	14838	(000000-) Spring, Brush Retaining	1
▲	3	24299	(000000-) Bracket, Spring Retainer	1
▲	4	01684	(000000-) Washer, Flat, 0.25 Ss	1
▲	5	32746	(000000-) Screw, Pan, M6 X 1.0 X 35, Ss	3
▽	1	05726	(000000-) Brush-Disk Scr 16 D-Assy-S Ab	2
▲	2	14838	(000000-) Spring, Brush Retaining	1
▲	3	24299	(000000-) Bracket, Spring Retainer	1
▲	4	01684	(000000-) Washer, Flat, 0.25 Ss	1
▲	5	32746	(000000-) Screw, Pan, M6 X 1.0 X 35, Ss	3
▽	6	397916	(000000-) Driver Assy, Pad, 16d	2
▲	7	397976	(000000-) Disk, Pad Driver, W/ Face, 16d	1
▲	8	15539	(000000-) Adaptor, Brush	1
▲	9	14838	(000000-) Spring, Brush Retaining	1
▲	10	24299	(000000-) Bracket, Spring Retainer	1
▲	11	370095	(000000-) Device, Centering	1
▲	12	09198	(000000-) Screw, Pan, M4 X 0.7 X 35, S	3
▲	13	41579	(000000-) Washer, Flat, #8, Ss	3
▲	14	01684	(000000-) Washer, Flat, 0.25 Ss	1
▲	15	32746	(000000-) Screw, Pan, M6 X 1.0 X 35, Ss	3
	16	63248-1	(000000-) Pad, Strip 16D Brown	2
	16	63248-2	(000000-) Pad, Scrub 16D Blue	2
	16	63248-3	(000000-) Pad, Buff 16D Red	2
	16	63248-4	(000000-) Pad, Polish 16D White	2
	16	370092	(000000-) Pad, Strip-Hd 16D Black	2
	17	222307	(000000-) Brush, Scb, 32l, 18 Sr, Pyp Grout, Spl	2
	17	374042	(000000-) Brush, Scb, 32l, 18 Sr, Pyp, Spl	2
	17	222308	(000000-) Brush, Scb, 32l, 18 Sr, Nyl, Spl	2
	17	222309	(000000-) Brush, Scb, 32l, 18 Sr, Abr, Spl	2

Fig. 4 - Brushes, Replacement, Model 900, 900 mm (36 in)

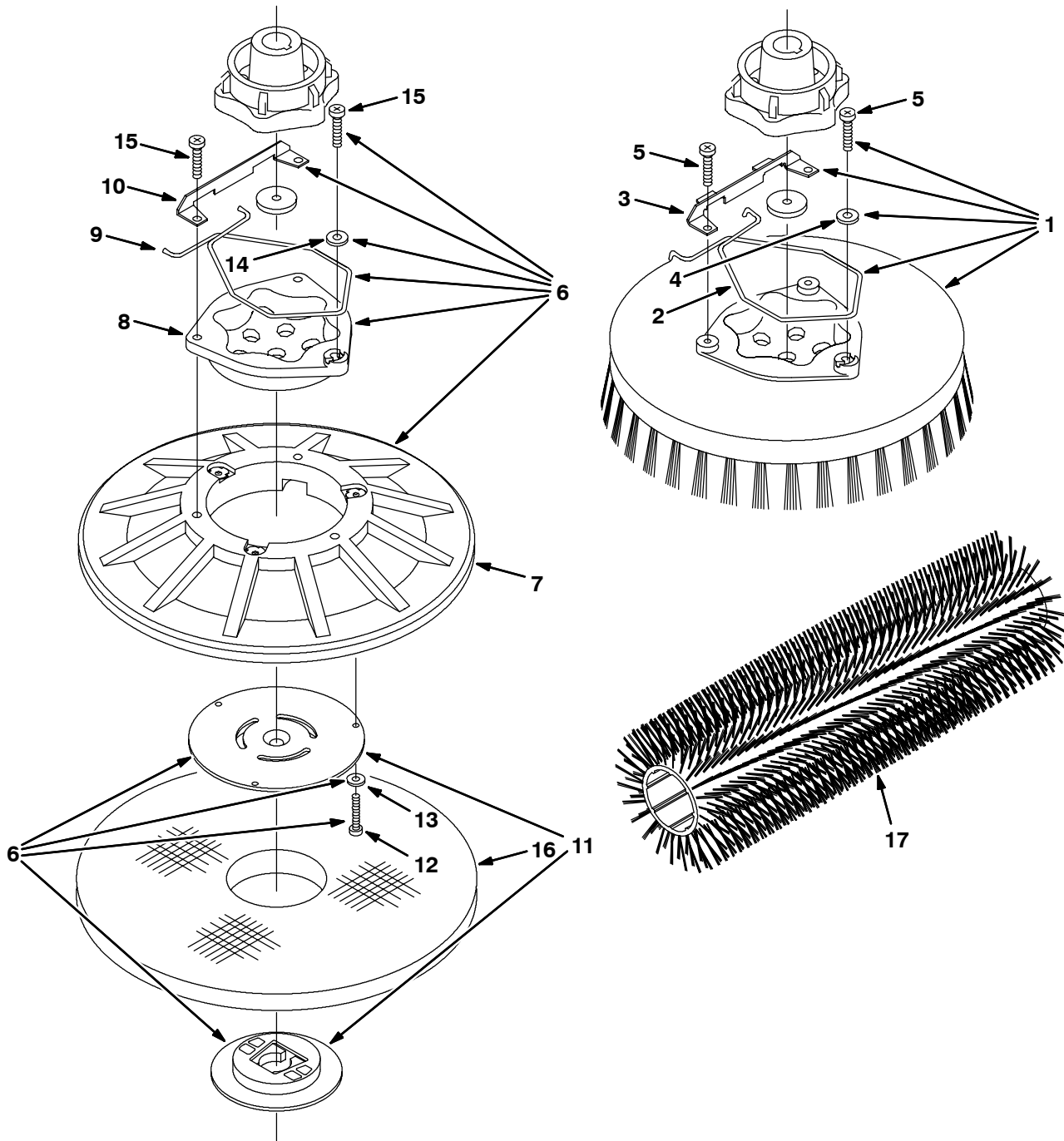


Fig. 4 - Brushes, Replacement, Model 900, 900 mm (36 in)

Ref.	Part No.	Serial Number	Description	Qty.
▽	1	11773	(000000-) Brush-Disk Scr 18 D Assy Nylon	2
▲	2	14838	(000000-) Spring, Brush Retaining	1
▲	3	24299	(000000-) Bracket, Spring Retainer	1
▲	4	01684	(000000-) Washer, Flat, 0.25 Ss	1
▲	5	32746	(000000-) Screw, Pan, M6 X 1.0 X 35, Ss	3
▽	1	11771	(000000-) Brush-Disk Scr-18 D-Assy-Poly	2
▲	2	14838	(000000-) Spring, Brush Retaining	1
▲	3	24299	(000000-) Bracket, Spring Retainer	1
▲	4	01684	(000000-) Washer, Flat, 0.25 Ss	1
▲	5	32746	(000000-) Screw, Pan, M6 X 1.0 X 35, Ss	3
▽	1	11772	(000000-) Brush-Disk Scr-18 D Assy Ab	2
▲	2	14838	(000000-) Spring, Brush Retaining	1
▲	3	24299	(000000-) Bracket, Spring Retainer	1
▲	4	01684	(000000-) Washer, Flat, 0.25 Ss	1
▲	5	32746	(000000-) Screw, Pan, M6 X 1.0 X 35, Ss	3
▽	6	397918	(000000-) Driver Assy, Pad, 18d	2
▲	7	397978	(000000-) Disk, Pad Driver, W/ Face, 18d	1
▲	8	15539	(000000-) Adaptor, Brush	1
▲	9	14838	(000000-) Spring, Brush Retaining	1
▲	10	24299	(000000-) Bracket, Spring Retainer	1
▲	11	370095	(000000-) Device, Centering	1
▲	12	09198	(000000-) Screw, Pan, M4 X 0.7 X 35, S	3
▲	13	41579	(000000-) Washer, Flat, #8, Ss	3
▲	14	01684	(000000-) Washer, Flat, 0.25 Ss	1
▲	15	32746	(000000-) Screw, Pan, M6 X 1.0 X 35, Ss	3
	16	11777	(000000-) Pad, Strip 18D Brown	2
	16	370093	(000000-) Pad, Strip-Hd 18D Black	2
	16	11778	(000000-) Pad, Scrub 18D Blue	2
	16	11780	(000000-) Pad, Buff 18D Red	2
	16	11781	(000000-) Pad, Polish 18D White	2
	17	222310	(000000-) Brush, Scb, 36l, 18 Sr, Pyp Grout, Spl	2
	17	374043	(000000-) Brush, Scb, 36l, 18 Sr, Pyp, Spl	2
	17	222311	(000000-) Brush, Scb, 36l, 18 Sr, Nyl, Spl	2
	17	222312	(000000-) Brush, Scb, 36l, 18 Sr, Abr, Spl	2

Fig. 5 - Main Frame and Drive Group

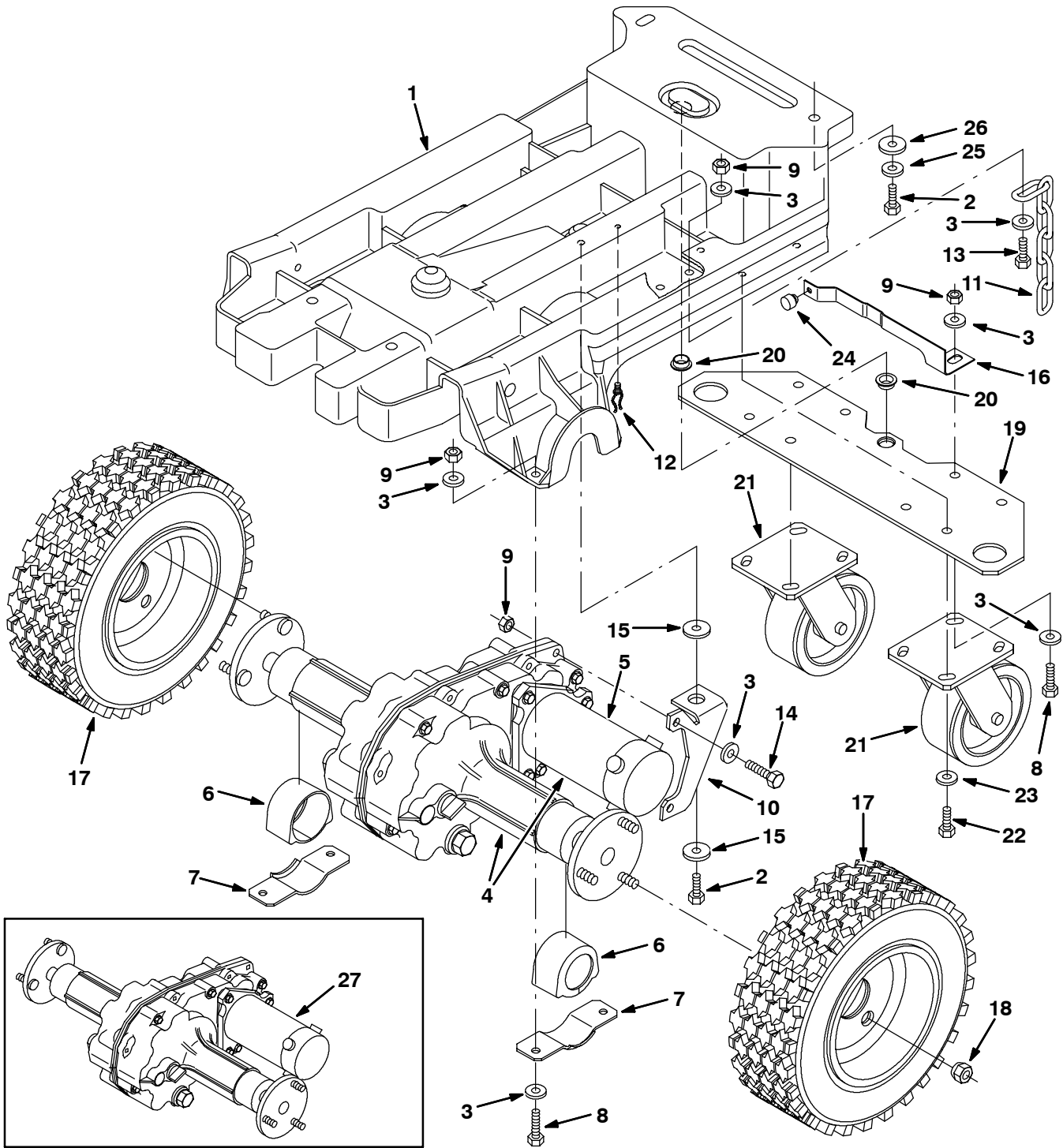


Fig. 5 - Main Frame and Drive Group

Ref.	Part No.	Serial Number	Description	Qty.	
1	398311	(000000-) Frame, Main [5700]	1	
2	12273	(000000-) Screw, Hex, M08 X 1.25 X 20, Ss, NI	5	
3	01685	(000000-) Washer, Flt, .31 Ss	16	
▽	4	397707AM	(000000-) Transaxle, Ele, W/.50hp Motor (See Breakdowns)	1
▲	5	374265AM	(xxxxxx-) Motor, Ele, 36Vdc 0.50Hp 2000Rpm (See Breakdowns)	1
6	222035	(000000-) Isolator, Vib, Transaxle	2	
7	222036	(000000-) Bracket, Mtg, Isolator	2	
8	09010	(000000-) Screw, Hex, M08 X 1.25 X 25, Ss	6	
9	08713	(000000-) Nut, Hex, Lock, M08 X 1.25,NI, Ss	9	
10	222039	(000000-) Bracket, Mtg, Transaxle	1	
11	43500	(000000-) Chain, Coil, Str, #210, 09.0l 07 Link	1	
12	30406	(000000-) Clip, Keeper	1	
13	09010	(000000-) Screw, Hex, M08 X 1.25 X 25, Ss	1	
14	09026	(000000-) Screw, Hex, M08 X 1.25 X 40, Ss	2	
15	32662	(000000-) Washer, 0.38b 1.22d .06, Ss	2	
16	222469AM	(000000-) Spring, Flat, Centering	1	
17	61598	(000000-) Tire Assy, Foam, 410/3.5-06 3.5bc/3bolt	2	
18	11109	(000000-) Nut, Wheel, .44-20 X 60 Angle	6	
19	397805	(000000-) Plate, Caster	1	
20	04843	(000000-) Bushing, Flng, 0.63b 0.72d 0.25l	2	
21	222467	(000000-) Caster, 5.0 D Wheel	2	
22	12333	(000000-) Screw, Hex, M08 X 1.25 X 25, Ss, NI	6	
23	41186	(000000-) Washer, Belleville, .31	6	
24	51787	(000000-) Bumper, Rbr	1	
25	1017218	(000000-) Washer, Flt, 0.321b 1.00d .12, Ss	4	
26	1014563	(000000-) Washer, Flt, 0.40b 1.12d .12, Ss	4	
27	222371	(000000-xxxxxx) Motor, Ele, 36vdc .50hp 1900rpm (Replaced By 374265) (See Breakdowns)	1	

Fig. 6 - Scrub Head Lift Group

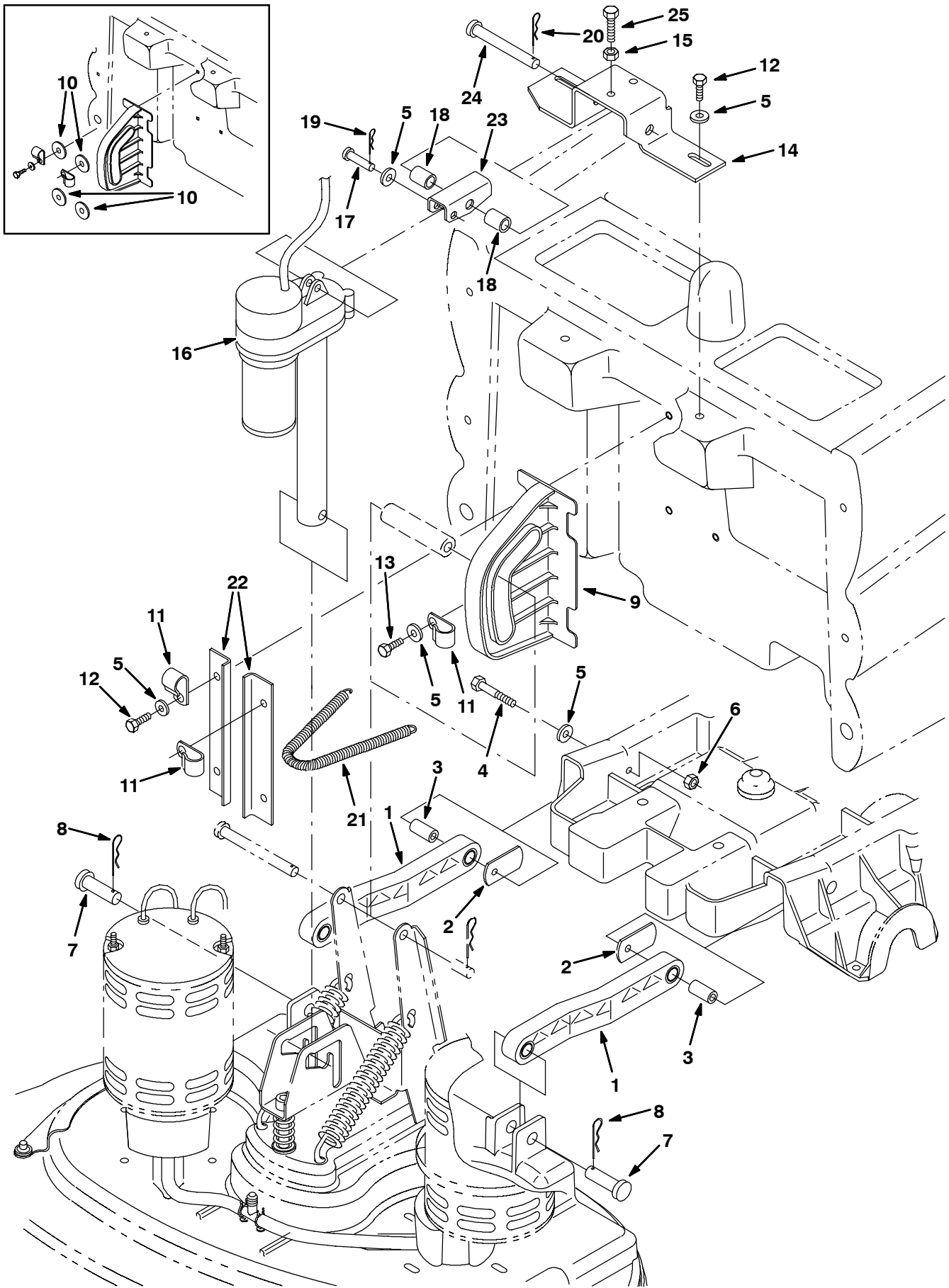


Fig. 6 - Scrub Head Lift Group

Ref.	Part No.	Serial Number	Description	Qty.
1	222027	(000000-) Arm, Lift, Head	2
2	222099	(000000-) Spacer, Lift Arm	2
3	222028	(000000-) Sleeve, .344B .62D1.3 Bronze	2
4	222504	(000000-) Screw, Hex, M08 X 1.25 X 55, Ss	2
5	01685	(000000-) Washer, Flt, .31 Ss	12
6	08713	(000000-) Nut, Hex, Lock, M08 X 1.25,NI, Ss	2
7	222210	(000000-) Pin, Clevis, 0.62 D X 2.12I	2
8	02942	(000000-) Pin, Hair Cotter, 0.62 D .120 Wir	2
9	222034	(000000-) Bracket, Guide, Roller	1
10	51564	(000000-012557) Washer, 0.53b 1.75d .12, Stl, PI	4
11	30407	(000000-) Clip, Keeper, Open	3
12	12273	(000000-) Screw, Hex, M08 X 1.25 X 20, Ss, NI	6
13	49826	(000000-) Screw, Hex, M08 X 1.25 X 16, Ss, NI	1
14	397765	(000000-) Bracket, Mtg, Actuator	1
15	07786	(000000-) Nut, Hex, Std, M08 X 1.25, Ss	2
16	397721	(000000-) Actuator, 36vdc, 5.25strk 600lb	1
17	29558	(000000-) Pin, Clevis, 0.37 D X 1.50I	1
18	397768	(000000-) Spacer, .532Id X .75Od X 1.00L	2
19	86866	(000000-) Pin, Hair Cotter, 0.38 D .072 Wir	1
20	44906	(000000-) Pin, Hair Cotter, 0.69 D .092 Wir	1
21	397818	(000000-) Spring, Extn, 0.25 Od .02 Wire 8.0 L	1
22	222054	(012558-) Bracket, Roller Guide	2
23	397766	(000000-) Channel, Mtg, Actuator	1
24	222196	(000000-) Pin, Clevis, 0.50 D X 4.00I	1
25	09023	(000000-) Screw, Hex, M08 X 1.25 X 35, Ss	2

STANDARD PARTS

Fig. 7 - Scrub Head Kit, Model 700D, 700 mm (28 in)

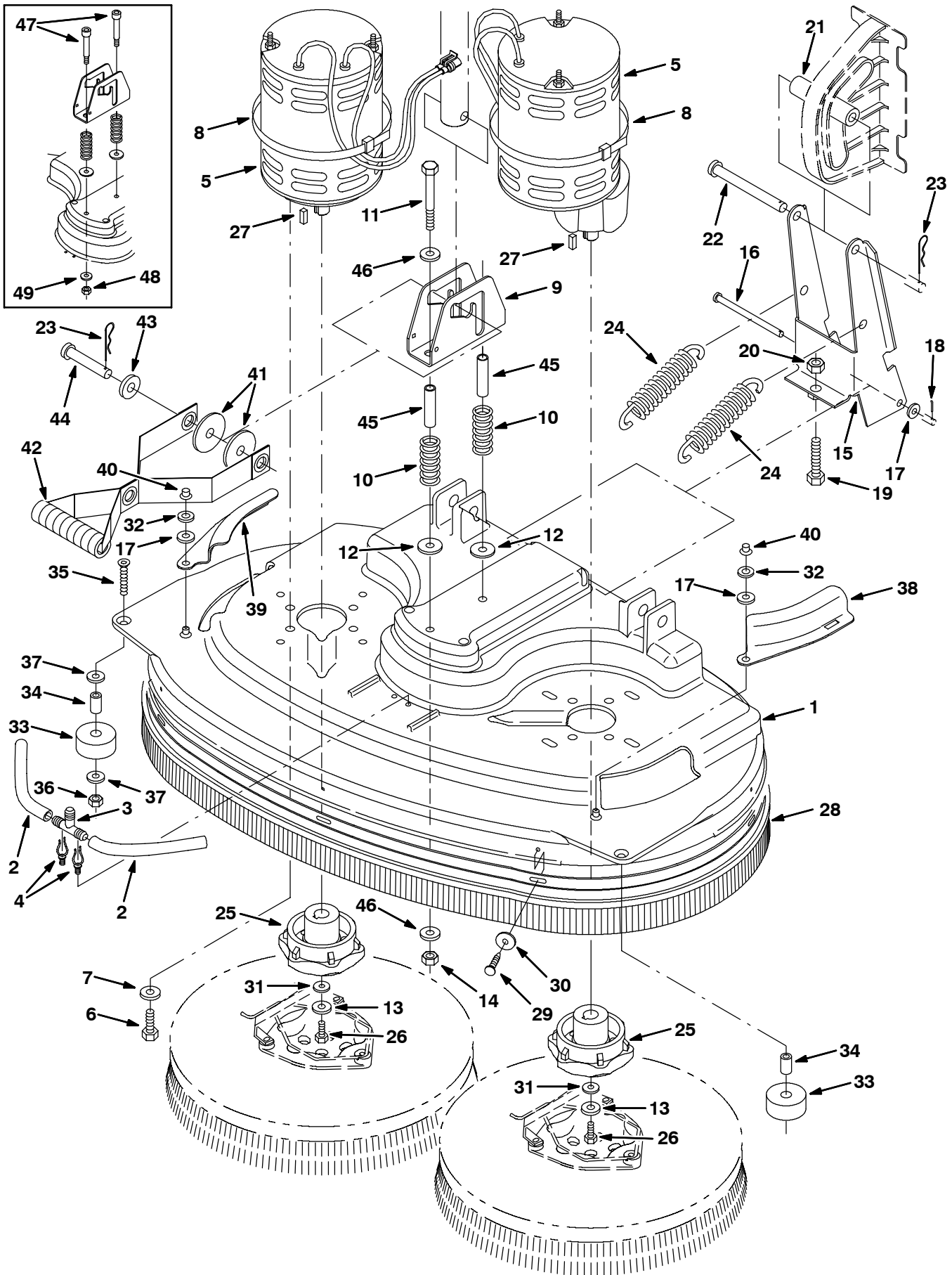


Fig. 7 - Scrub Head Kit, Model 700D, 700 mm (28 in)

Ref.	Part No.	Serial Number	Description	Qty.
▽	397745	(000000-) Kit, Ci, Head, Scrbr, [5680] [700d]	1
▲	1 222221	(000000-) Cover, Head, Scrbr, Disc [28]	1
▲	2 222535	(000000-) Hose, Pvc, Clr, 0.38id 0.56od 08.00l	2
▲	3 222536	(000000-) Fitting, Plstc, Tee, Bm06/Bm06/Bm08	1
▲	4 30406	(000000-) Clip, Keeper	2
▲	5 397815	(000000-) Motor, Ele, 36vdc .75hp Gear (See Breakdowns)	2
▲	6 12317	(000000-) Screw, Hex, M10 X 1.5 X 30, Ss	8
▲	7 41187	(000000-) Washer, Belleville, .38	8
▲	8 44961	(000000-) Tie, Cable, Nyl, 14.5l .30w 4.0 Max D	4
▲	9 397813	(000000-) Bracket, Head, Actuator	1
▲	10 45261	(000000-) Spring, Cmpr, 0.97od .11wir 2.5l	2
▲	11 35709	(018648-) Screw, Hex, .38-16 X 3.50, G5	2
▲	12 32662	(000000-) Washer, 0.38b 1.22d .06, Ss	2
▲	13 01686	(000000-) Washer, Flat, 0.44b 1.00d .08, Ss	2
▲	14 59156	(018648-) Nut, Hex, Lock, .38-16, NI, Ss	2
▲	15 222838	(000000-) Bracket, Pivot	1
▲	16 222207	(000000-) Pin, Clevis, 0.31 D X 4.74l	1
▲	17 01685	(000000-) Washer, Flat, 0.38b 0.88d .08, Ss	3
▲	18 08346	(000000-) Pin, Cotter, .125 X 0.75	1
▲	19 05720	(000000-) Screw, Hex, M10-1.5 X 40, Ss	1
▲	20 39312	(000000-) Nut, Hex, Std, M10 X 1.5	1
▲	21 222055	(000000-) Roller, Linkage, Head	1
▲	22 222197	(000000-) Pin, Clevis, 0.50 D X 4.75l	1
▲	23 02942	(000000-) Pin, Hair Cotter, 0.62 D .120 Wir	2
▲	24 222363	(000000-) Spring, Extn, 1.23od X 0.15wir, 6.5l	2
▲	25 377374	(000000-) Hub, Drive, Brush, Disk, 0.75b 6t	2
▲	26 09023	(000000-) Screw, Hex, M08 X 1.25 X 35, Ss	2
▲	27 00926	(000000-) Key, Sq, 0.25 X 0.25, 00.75l	2
▲▽	397828	(000000-) Kit, Ci, Skirt, 700 mm, [5680]	1
▲▲	28 397769	(000000-) Skirt Assy, 28 Inch Disk Head	1
▲▲	29 397780	(000000-) Plug, Plstc	7
▲▲	30 397779	(000000-) Washer, 0.28b 1.00d .06t, Stl, Blk, Znc	7
▲	31 41186	(000000-) Washer, Belleville, .31	2
▲	32 32713	(000000-) Washer, 0.41b 0.81d .09, Ure	2
▲	33 222403	(000000-) Wheel, 2.0d 0.88w 0.50b	2
▲	34 222496	(000000-) Sleeve	2
▲	35 33943	(000000-) Screw, Flat, M08 X 1.25 X 40, 10.9	2
▲	36 08713	(000000-) Nut, Hex, Lock, M08 X 1.25, NI, Ss	2
▲	37 32490	(000000-) Washer, Flt, .25 Std	4
▲	38 222404	(000000-) Door, Scb Head, Lh	1
▲	39 222405	(000000-) Door, Scb Head, Rh	1
▲	40 59849	(000000-) Nut, Retainer, .312 Dia	2
▲	41 57048	(000000-) Washer, Flat, 0.53b 2.13d .11, Stl, Pl	2
▲	42 397816	(000000-) Strap Assy, Handle	1
▲	43 23996	(000000-) Washer, Flat, 0.53b 0.84d .06, Stl, Pl	1
▲	44 397817	(000000-) Pin, Clevis, 0.50 D X 2.88l	1
▲	45 1029425	(018648-) Tube, Rnd, 0.40id 0.50od 02.3l, Ss	2
▲	46 01685	(018648-) Washer, Flat, 0.38b 0.88d .08, Ss	4
	47 9002023	(000000-018647) Bolt Kit, Shld, F/ 10964, Replmt	1
	48 36643	(000000-018647) Nut, Hex, Lock, .38-16, NI, Thin	2
	49 01686	(000000-018647) Washer, Flat, 0.44b 1.00d .08, Ss	2

Fig. 8 - Scrub Head Kit, Model 800D, 800 mm (32 in)

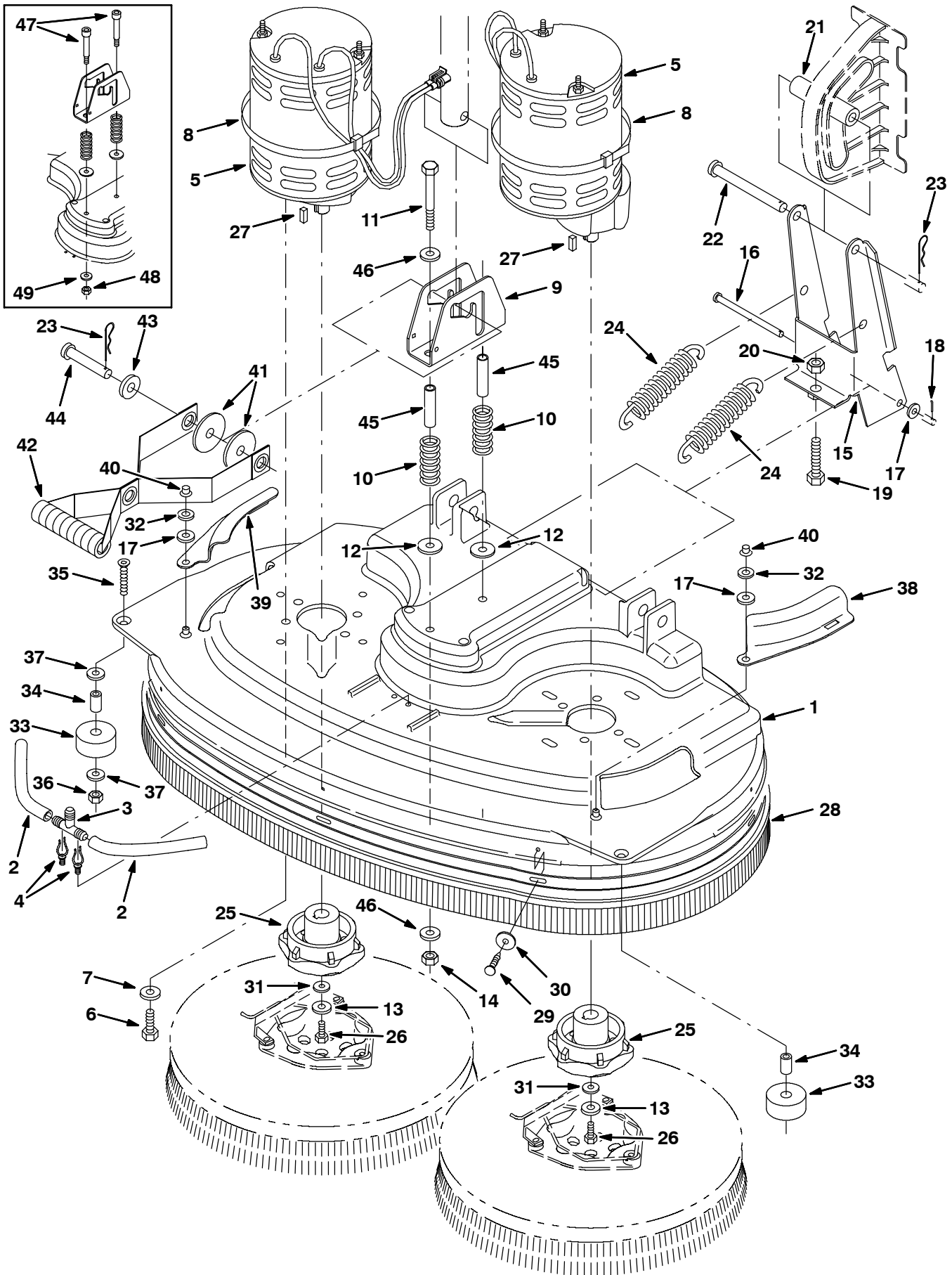


Fig. 8 - Scrub Head Kit, Model 800D, 800 mm (32 in)

Ref.	Part No.	Serial Number	Description	Qty.
▽	397740	(000000-) Kit, Ci, Head, Scrbr, [5680] [800d]	1
▲	1 222222	(000000-) Cover, Head, Scrbr, Disc [32]	1
▲	2 222535	(000000-) Hose, Pvc, Clr, 0.38id 0.56od 08.00l	2
▲	3 222536	(000000-) Fitting, Plstc, Tee, Bm06/Bm06/Bm08	1
▲	4 30406	(000000-) Clip, Keeper	2
▲	5 397815	(000000-) Motor, Ele, 36vdc .75hp Gear (See Breakdowns)	2
▲	6 12317	(000000-) Screw, Hex, M10 X 1.5 X 30, Ss	8
▲	7 41187	(000000-) Washer, Belleville, .38	8
▲	8 44961	(000000-) Tie, Cable, Nyl, 14.5l .30w 4.0 Max D	4
▲	9 397813	(000000-) Bracket, Head, Actuator	1
▲	10 45261	(000000-) Spring, Cmpr, 0.97od .11wir 2.5l	2
▲	11 35709	(018648-) Screw, Hex, .38-16 X 3.50, G5	2
▲	12 32662	(000000-) Washer, 0.38b 1.22d .06, Ss	2
▲	13 01686	(000000-) Washer, Flat, 0.44b 1.00d .08, Ss	2
▲	14 59156	(018648-) Nut, Hex, Lock, .38-16, NI, Ss	2
▲	15 222838	(000000-) Bracket, Pivot	1
▲	16 222207	(000000-) Pin, Clevis, 0.31 D X 4.74l	1
▲	17 01685	(000000-) Washer, Flat, 0.38b 0.88d .08, Ss	3
▲	18 08346	(000000-) Pin, Cotter, .125 X 0.75	1
▲	19 05720	(000000-) Screw, Hex, M10-1.5 X 40, Ss	1
▲	20 39312	(000000-) Nut, Hex, Std, M10 X 1.5	1
▲	21 222055	(000000-) Roller, Linkage, Head	1
▲	22 222197	(000000-) Pin, Clevis, 0.50 D X 4.75l	1
▲	23 02942	(000000-) Pin, Hair Cotter, 0.62 D .120 Wir	2
▲	24 222363	(000000-) Spring, Extn, 1.23od X 0.15wir, 6.5l	2
▲	25 377374	(000000-) Hub, Drive, Brush, Disk, 0.75b 6t	2
▲	26 09023	(000000-) Screw, Hex, M08 X 1.25 X 35, Ss	2
▲	27 00926	(000000-) Key, Sq, 0.25 X 0.25, 00.75l	2
▲▽	397832	(000000-) Kit, Ci, Skirt, 800 mm, [5680]	1
▲▲	28 397763	(000000-) Skirt Assy, 32 Inch Disk Head	1
▲▲	29 397780	(000000-) Plug, Plstc	7
▲▲	30 397779	(000000-) Washer, 0.28b 1.00d .06t, Stl, Blk, Znc	7
▲	31 41186	(000000-) Washer, Belleville, .31	2
▲	32 32713	(000000-) Washer, 0.41b 0.81d .09, Ure	2
▲	33 222403	(000000-) Wheel, 2.0d 0.88w 0.50b	2
▲	34 222496	(000000-) Sleeve	2
▲	35 33943	(000000-) Screw, Flat, M08 X 1.25 X 40, 10.9	2
▲	36 08713	(000000-) Nut, Hex, Lock, M08 X 1.25, NI, Ss	2
▲	37 32490	(000000-) Washer, Flt, .25 Std	4
▲	38 222404	(000000-) Door, Scb Head, Lh	1
▲	39 222405	(000000-) Door, Scb Head, Rh	1
▲	40 59849	(000000-) Nut, Retainer, .312 Dia	2
▲	41 57048	(000000-) Washer, Flat, 0.53b 2.13d .11, Stl, Pl	2
▲	42 397816	(000000-) Strap Assy, Handle	1
▲	43 23996	(000000-) Washer, Flat, 0.53b 0.84d .06, Stl, Pl	1
▲	44 397817	(000000-) Pin, Clevis, 0.50 D X 2.88l	1
▲	45 1029425	(018648-) Tube, Rnd, 0.40id 0.50od 02.3l, Ss	2
▲	46 01685	(018648-) Washer, Flat, 0.38b 0.88d .08, Ss	4
	47 9002023	(000000-018647) Bolt Kit, Shld, F/ 10964, Replmt	1
	48 36643	(000000-018647) Nut, Hex, Lock, .38-16, NI, Thin	2
	49 01686	(000000-018647) Washer, Flat, 0.44b 1.00d .08, Ss	2

Fig. 9 - Scrub Head Kit, Model 900D, 900 mm (36 in)

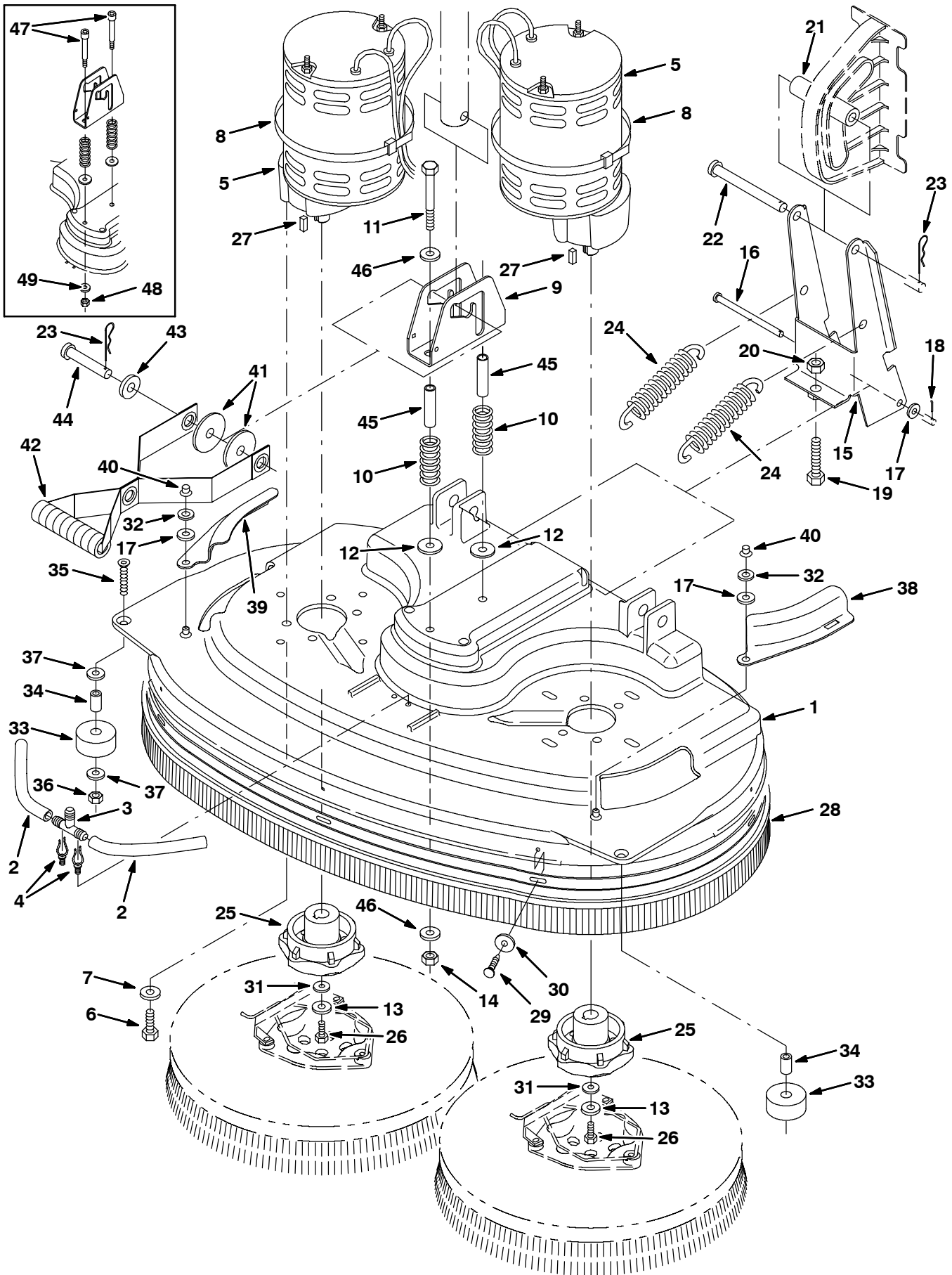


Fig. 9 - Scrub Head Kit, Model 900D, 900 mm (36 in)

Ref.	Part No.	Serial Number	Description	Qty.
▽	397744	(000000-) Kit, Ci, Head, Scrbr, [5680] [900d]	1
▲	1 222223	(000000-) Cover, Head, Scrbr, Disc [36]	1
▲	2 222535	(000000-) Hose, Pvc, Clr, 0.38id 0.56od 08.00l	2
▲	3 222536	(000000-) Fitting, Plstc, Tee, Bm06/Bm06/Bm08	1
▲	4 30406	(000000-) Clip, Keeper	2
▲	5 397815	(000000-) Motor, Ele, 36vdc .75hp Gear (See Breakdowns)	2
▲	6 12317	(000000-) Screw, Hex, M10 X 1.5 X 30, Ss	8
▲	7 41187	(000000-) Washer, Belleville, .38	8
▲	8 44961	(000000-) Tie, Cable, Nyl, 14.5l .30w 4.0 Max D	4
▲	9 397813	(000000-) Bracket, Head, Actuator	1
▲	10 45261	(000000-) Spring, Cmpr, 0.97od .11wir 2.5l	2
▲	11 35709	(018648-) Screw, Hex, .38-16 X 3.50, G5	2
▲	12 32662	(000000-) Washer, 0.38b 1.22d .06, Ss	2
▲	13 01686	(000000-) Washer, Flat, 0.44b 1.00d .08, Ss	2
▲	14 59156	(018648-) Nut, Hex, Lock, .38-16, NI, Ss	2
▲	15 222838	(000000-) Bracket, Pivot	1
▲	16 222207	(000000-) Pin, Clevis, 0.31 D X 4.74l	1
▲	17 01685	(000000-) Washer, Flat, 0.38b 0.88d .08, Ss	3
▲	18 08346	(000000-) Pin, Cotter, .125 X 0.75	1
▲	19 05720	(000000-) Screw, Hex, M10-1.5 X 40, Ss	1
▲	20 39312	(000000-) Nut, Hex, Std, M10 X 1.5	1
▲	21 222055	(000000-) Roller, Linkage, Head	1
▲	22 222197	(000000-) Pin, Clevis, 0.50 D X 4.75l	1
▲	23 02942	(000000-) Pin, Hair Cotter, 0.62 D .120 Wir	2
▲	24 222363	(000000-) Spring, Extn, 1.23od X 0.15wir, 6.5l	2
▲	25 377374	(000000-) Hub, Drive, Brush, Disk, 0.75b 6t	2
▲	26 09023	(000000-) Screw, Hex, M08 X 1.25 X 35, Ss	2
▲	27 00926	(000000-) Key, Sq, 0.25 X 0.25, 00.75l	2
▲▽	397836	(000000-) Kit, Ci, Skirt, 900 mm, [5680]	1
▲▲	28 397771	(000000-) Skirt Assy, 36 Inch Disk Head	1
▲▲	29 397780	(000000-) Plug, Plstc	7
▲▲	30 397779	(000000-) Washer, 0.28b 1.00d .06t, Stl, Blk, Znc	7
▲	31 41186	(000000-) Washer, Belleville, .31	2
▲	32 32713	(000000-) Washer, 0.41b 0.81d .09, Ure	2
▲	33 222403	(000000-) Wheel, 2.0d 0.88w 0.50b	2
▲	34 222496	(000000-) Sleeve	2
▲	35 33943	(000000-) Screw, Flat, M08 X 1.25 X 40, 10.9	2
▲	36 08713	(000000-) Nut, Hex, Lock, M08 X 1.25, NI, Ss	2
▲	37 32490	(000000-) Washer, Flt, .25 Std	4
▲	38 222404	(000000-) Door, Scb Head, Lh	1
▲	39 222405	(000000-) Door, Scb Head, Rh	1
▲	40 59849	(000000-) Nut, Retainer, .312 Dia	2
▲	41 57048	(000000-) Washer, Flat, 0.53b 2.13d .11, Stl, PI	2
▲	42 397816	(000000-) Strap Assy, Handle	1
▲	43 23996	(000000-) Washer, Flat, 0.53b 0.84d .06, Stl, PI	1
▲	44 397817	(000000-) Pin, Clevis, 0.50 D X 2.88l	1
▲	45 1029425	(018648-) Tube, Rnd, 0.40id 0.50od 02.3l, Ss	2
▲	46 01685	(018648-) Washer, Flat, 0.38b 0.88d .08, Ss	4
	47 9002023	(000000-018647) Bolt Kit, Shld, F/ 10964, Replmt	1
	48 36643	(000000-018647) Nut, Hex, Lock, .38-16, NI, Thin	2
	49 01686	(000000-018647) Washer, Flat, 0.44b 1.00d .08, Ss	2

Fig. 10 - Recovery Tank Group (00000-014333)

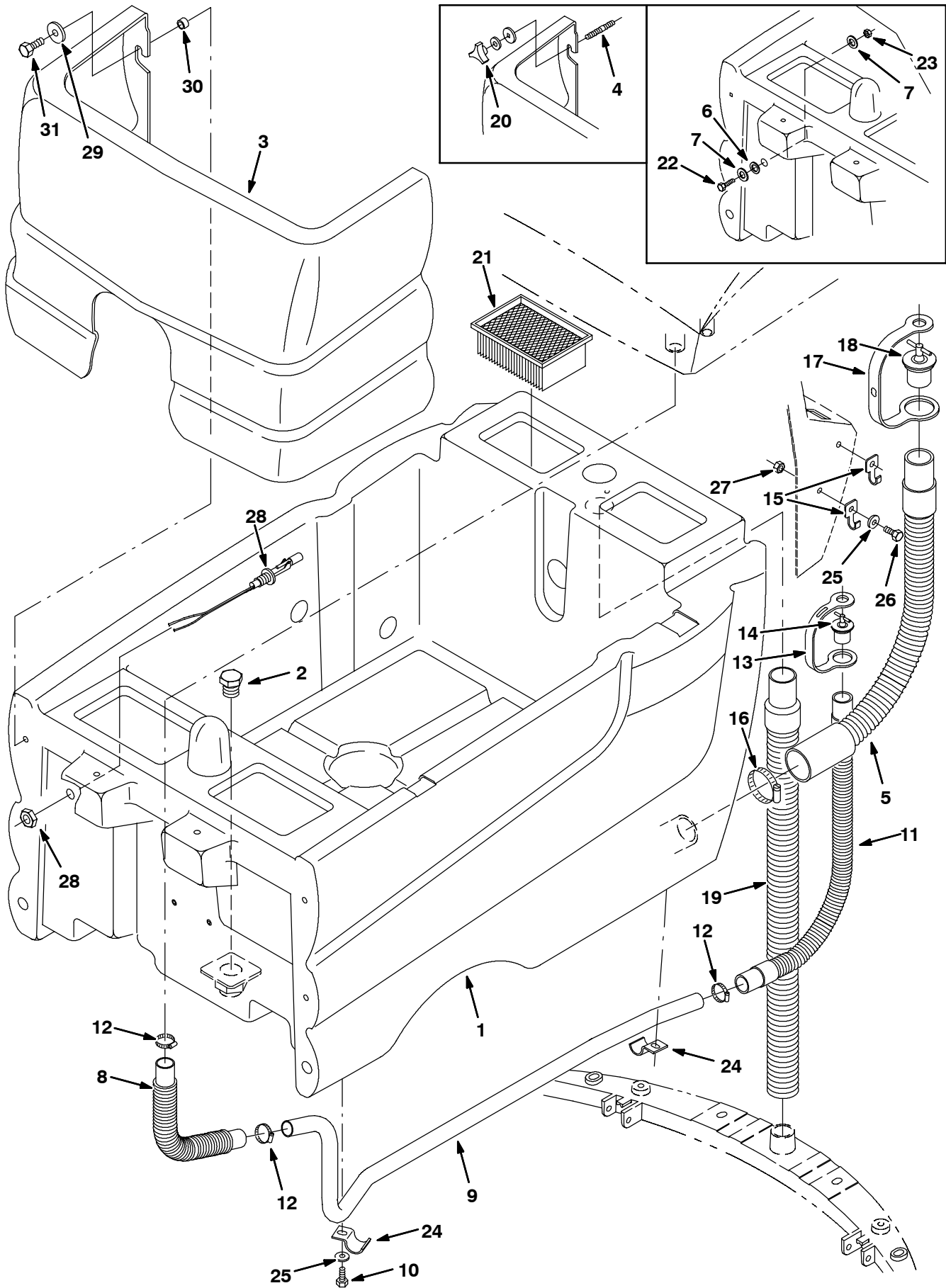


Fig. 10 - Recovery Tank Group (000000-014333)

Ref.	Part No.	Serial Number	Description	Qty.
1	398440	(000000-014333)	Tank, Recovery	1
2	75611	(000000-014333)	Ftg-Plug Npt 12Pm Rd Hd Plstc.	1
3	398446	(000000-014333)	Cover, Front	1
4	30324	(000000- xxxxxx)	Stud, M08 X 1.25 20 8.8 Pltd	4
5	374059	(000000-014333)	Hose & Cuff Assy, Drain .5ld 27.5L	1
6	01316	(000000-012026)	Washer, .660B 1.00D .12 Rbr	1
7	04400	(000000-012026)	Washer- Flt 17 X30X3 Ss M16	2
8	222194	(000000-014333)	Hose, Drain, Flex	1
9	222151	(000000-014333)	Tube, Drain	1
10	12273	(000000-014333)	Screw, Hex, M08 X 1.25 X 20, Ss, NI	2
11	222788	(000000-014333)	Hose, Drain, Tank, Solution	1
12	11399	(000000-014333)	Clamp-Wormdrive, 0.81- 1.50D	3
13	222517	(000000-014333)	Strap, Cap Retainer	1
14	374111	(000000-014333)	Plug, Expandable 1.00 Dia	1
15	222793	(000000-014333)	Clip, Hose, Hanger	2
16	14432	(000000-014333)	Clamp-Wormdrive, 1.81- 2.75D	1
17	222383	(000000-014333)	Strap, Drainhose	1
18	398850	(000000-014333)	Plug, Expandable 1.5D X 1.75L	1
19	374060	(000000-014333)	Hose & Cuff Assy, Vacuum 1.51D 32L	1
20	222470	(000000- xxxxxx)	Knob, M08 X 1.25 Insert	4
21	370113	(000000-014333)	Filter, Vac Fan	1
22	06980	(000000-012026)	Screw, Hex, M16 X 2.0 X 35, 8.8	1
23	33342	(000000-012026)	Nut, Hex, Lock, M16 X 2.0, NI	1
24	69234	(000000-014333)	Clamp, Cable, 1.00D 0.62W Stl	2
25	01685	(000000-014333)	Washer Flt .31 Ss	4
26	15675	(000000-014333)	Scr Hexssm 8X1.25	2
27	08713	(000000-014333)	Nut-Hxlocnyln M 8X1.25 Reg Ss	2
28	222822	(000000-014333)	Switch, Float	1
29	30013	(000000-014333)	Washer, Flat, .31 Fender	4
30	222516	(xxxxxx-014333)	Sleeve, P/M, 0.496d 0.318b 0.31l 430ss	4
31	12273	(xxxxxx-014333)	Screw, Hex, M08 X 1.25 X 20, Ss, NI	4

STANDARD PARTS

Fig. 11 - Recovery Tank Group (014334-)

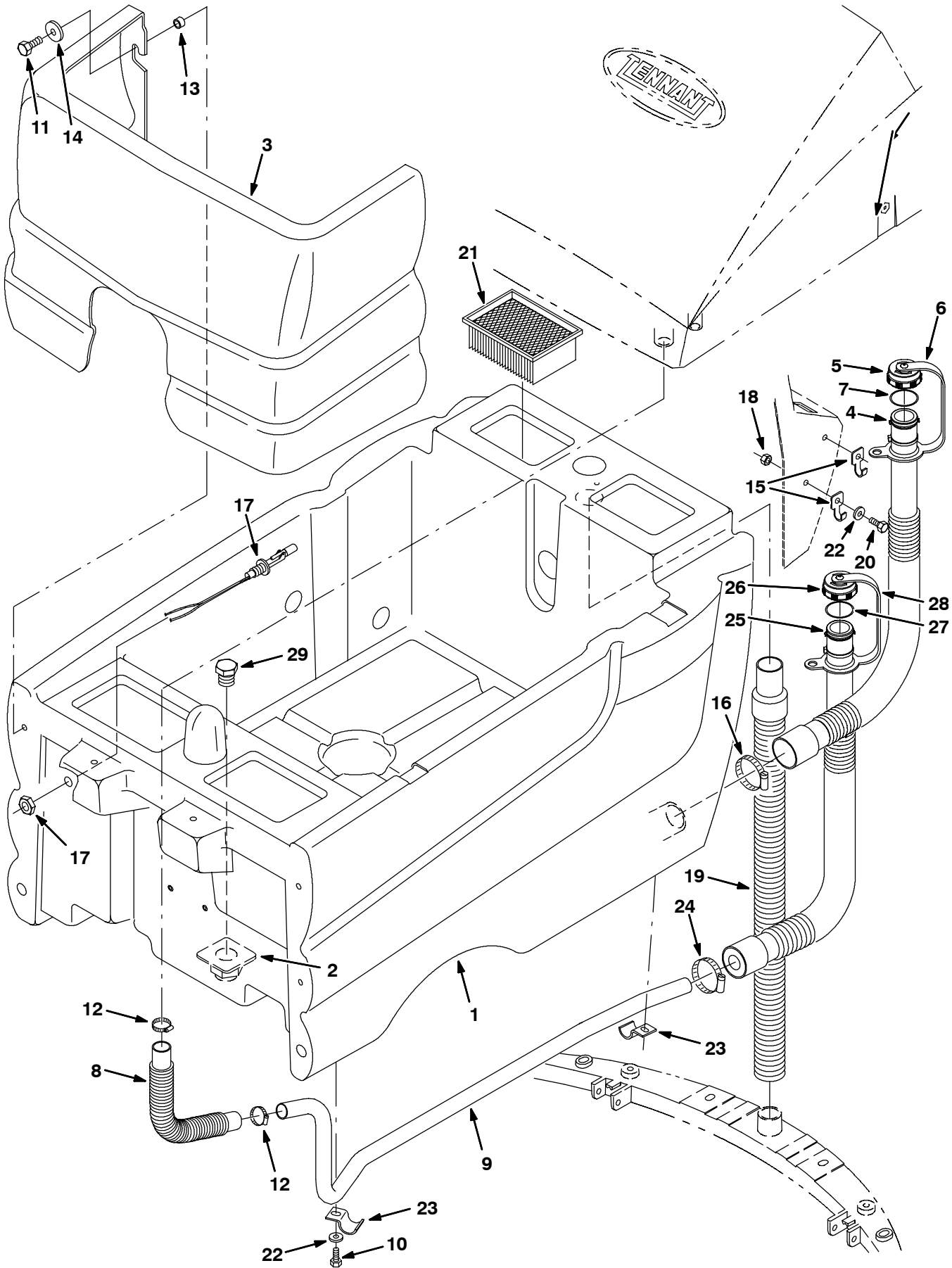


Fig. 11 - Recovery Tank Group (014334-)

Ref.	Part No.	Serial Number	Description	Qty.
▽	1	398440	(014334-) Tank, Recovery	1
▲	2	377349	(014334-) Fitting, Plstc, Pf12/Pf12, Bh	1
	3	398446	(014334-) Cover, Front	1
▽	4	1011168	(014334-) Hose, Assembly, Drain, 25.7	1
▲▽	5	1008639	(014334-) Cap, Drain Assembly	1
▲▲	6	1019563	(014334-) Strap, Drain Cap	1
▲▲	7	1008637	(014334-) O Ring, 1.48" ID, 1.76" Od	1
	8	222194	(014334-) Hose, Drain, Flex	1
	9	222151	(014334-) Tube, Drain	1
	10	12273	(014334-) Screw, Hex, M08 X 1.25 X 20, Ss, NI	2
	11	12273	(014334-) Screw, Hex, M08 X 1.25 X 20, Ss, NI	4
	12	11399	(014334-) Clamp-Wormdrive, 0.81- 1.50D	2
	13	222516	(014334-) Sleeve, P/M, 0.496d 0.318b 0.31l 430ss	4
	14	30013	(014334-) Washer, Flat, .31 Fender	4
	15	222793	(014334-) Clip, Hose, Hanger	2
	16	22297	(014334-) Clamp, Hose, Wormdrive, 1.56-2.50d	1
	17	222822	(014334-) Switch, Float	1
	18	08713	(014334-) Nut-Hxlocnyln M 8X1.25 Reg Ss	2
	19	374060	(014334-) Hose & Cuff Assy, Vacuum 1.51D 32L	1
	20	15675	(014334-) Screw, Hex, M8 X 1.25 X 16, Ss	2
	21	370113	(014334-) Filter, Vac Fan	1
	22	01685	(014334-) Washer Flt .31 Ss	4
	23	69234	(014334-) Clamp, Cable, 1.00D 0.62W Stl	2
	24	11531	(014334-) Clamp, Hose, Wormdrive, 1.06-2.00d	1
▽	25	1011167	(014334-) Hose, Assembly, Drain, 26.7	1
▲▽	26	1008639	(014334-) Cap, Drain Assembly	1
▲▲	27	1019563	(014334-) Strap, Drain Cap	1
▲▲	28	1008637	(014334-) O Ring, 1.48" ID, 1.76" Od	1
	29	75611	(014334-) Ftg-Plug Npt 12Pm Rd Hd Plstc.	1

Fig. 12 - Solution Tank Group

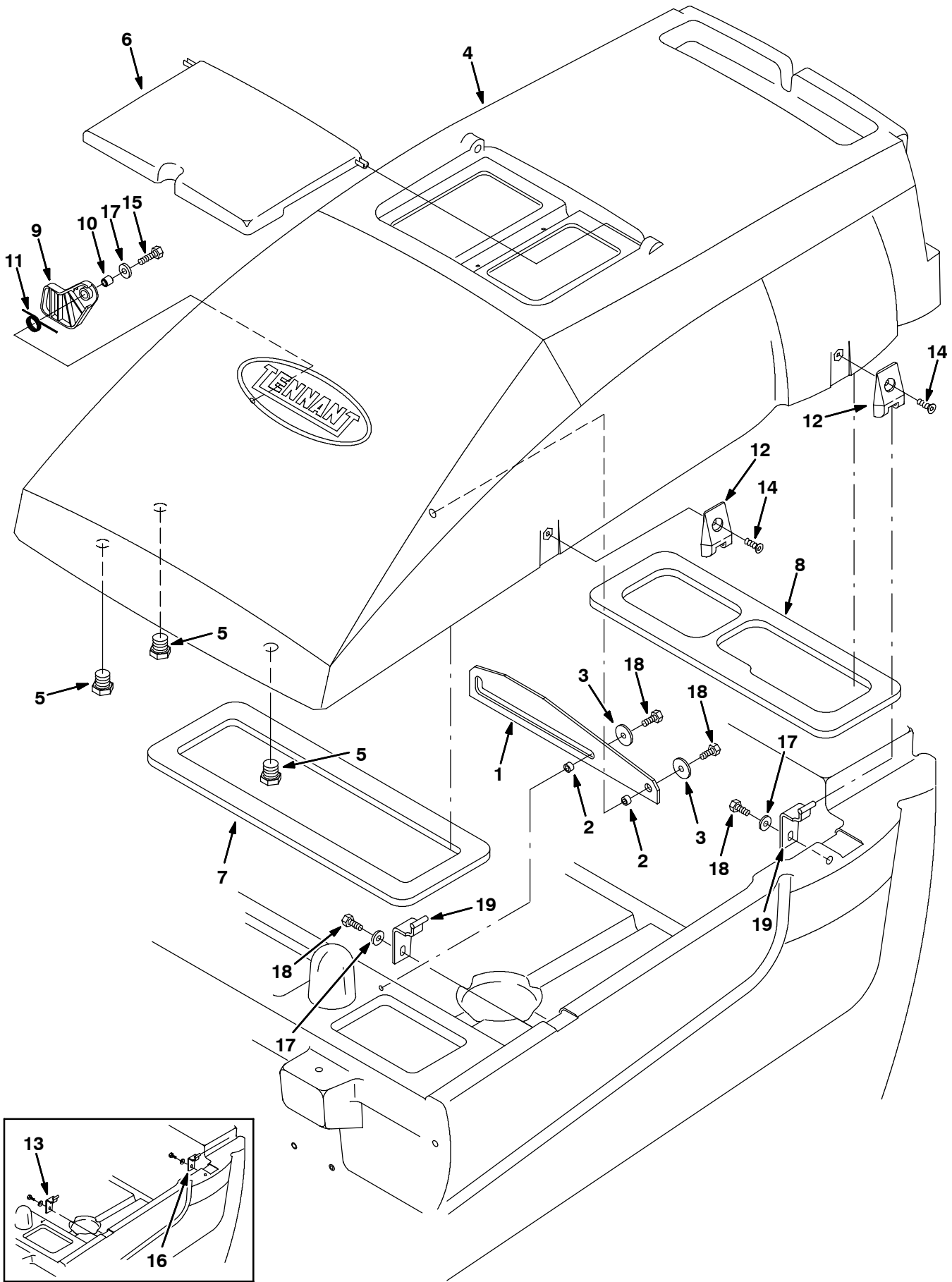


Fig. 12 - Solution Tank Group

Ref.	Part No.	Serial Number	Description	Qty.
1	397705	(000000-) Bracket, Prop, Arm	1
2	222516	(000000-) Sleeve, .318B .496D .312 Ss	2
3	30013	(000000-) Washer-Flt .31 Fender Pltd	2
398430AM	222713	(000000-) Tank, Solution, w/Label	1
5	75611	(000000-) Ftg-Plug Npt 12Pm Rd Hd Plstc.	3
6	222712	(000000-) Cover, Solution Tank, w/Label	1
7	222120	(000000-) Gasket, Tank, Front	1
8	222121	(000000-) Gasket, Tank, Rear	1
9	222406	(000000-) Stop, Tank	1
10	222460	(000000-) Sleeve	1
11	222462	(000000-) Spring, Torsion	1
12	222529	(000000-) Hinge Leaf	2
13	222527	(000000-011842) Hinge Wldt, Leaf	1
14	222463	(000000-) Scr-Fit M 8X1.25 20 Blk Nyloc	2
15	12333	(000000-) Scr-Hexssm 8X1.25 25 Nynloc	1
16	222689	(000000-011842) Hinge Wldt, Leaf, Rear	1
17	01685	(000000-) Washer Flt .31 Ss	3
18	12273	(000000-) Screw, Hex, M08 X 1.25 X 20, Ss, NI	4
19	398485	(011843-) Hinge Wldt, Leaf	2

Fig. 13 - Vacuum Fan Group

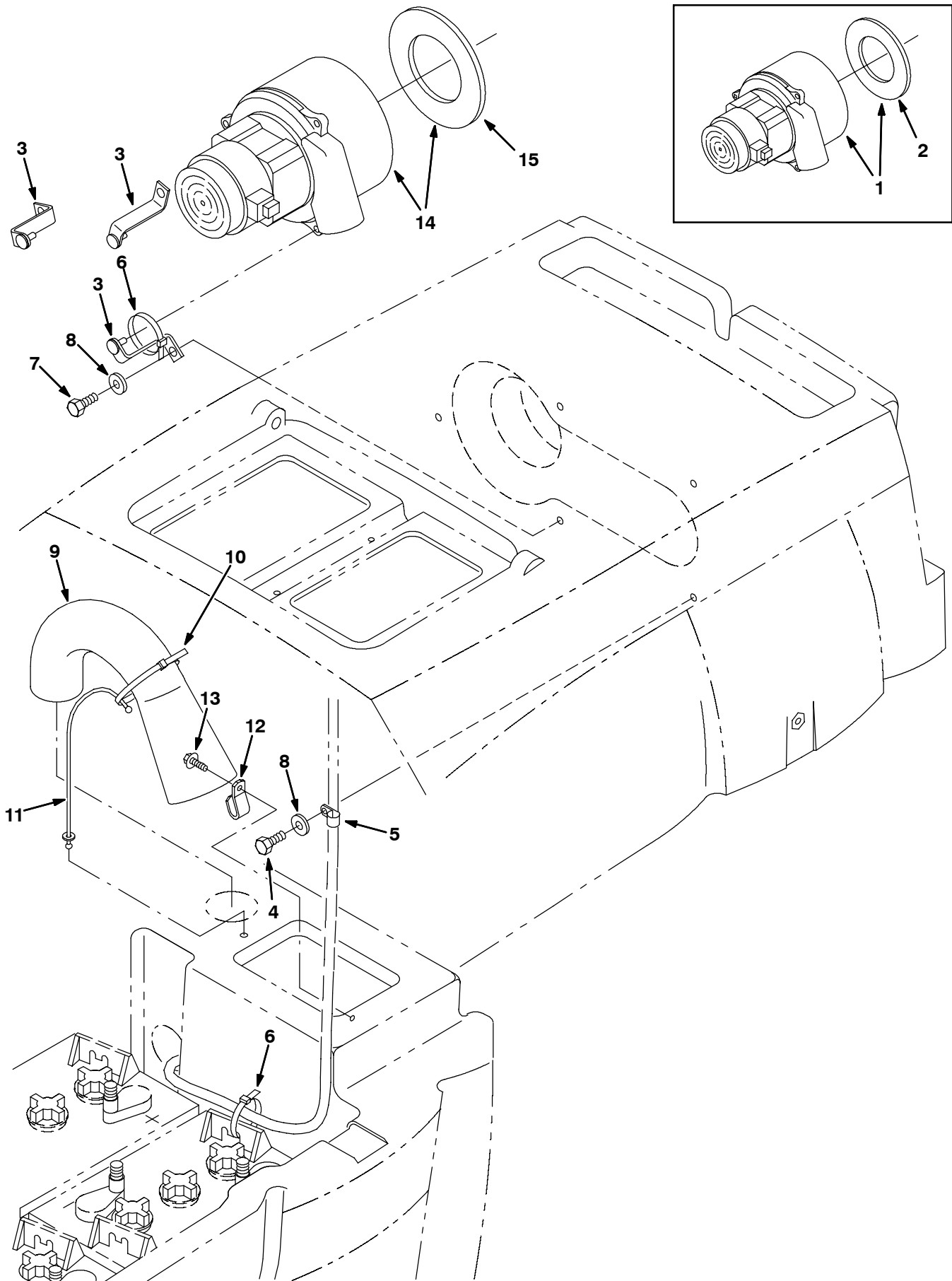


Fig. 13 - Vacuum Fan Group

	Ref.	Part No.	Serial Number	Description	Qty.
▽	1	17363	(000000-012225)	Fan, Vac (See Breakdowns)	1
▲	2	223264	(000000-012225)	Seal, Vac Fan	1
	3	222122	(000000-) Bracket, Mounting, Vac Fan	3
	4	15675	(000000-) Scr Hexssm 8X1.25 16	1
	5	40678	(000000-) Clamp-Cable, 0.44D 0.62W	1
	6	49266	(000000-) Tie, Cable 1.75D Max 7.50Lg	2
	7	12273	(000000-) Screw, Hex, M08 X 1.25 X 20, Ss, NI	3
	8	01685	(000000-) Washer Flt .31 Ss	4
	9	222361	(000000-) Hose, Inlet Recovery Tank	1
	10	49263	(000000-) Tie, Cable, Nyl, 11.4l .19w 3.0 Max D	1
	11	222667	(000000-) Cable, .06d, .06.8l, .25ball/.25ball	1
	12	222793	(000000-) Clip, Hose, Hanger	1
	13	20395	(000000-) Screw, Hex, #10-16 X 0.75, Fmg, [Ab]	1
▽	14	398520	(012226-) Fan, Vac (See Breakdowns)	1
▲	15	223264	(012226-) Seal, Vac Fan	1

Fig. 14 - Solution Control Group (000000-011001)

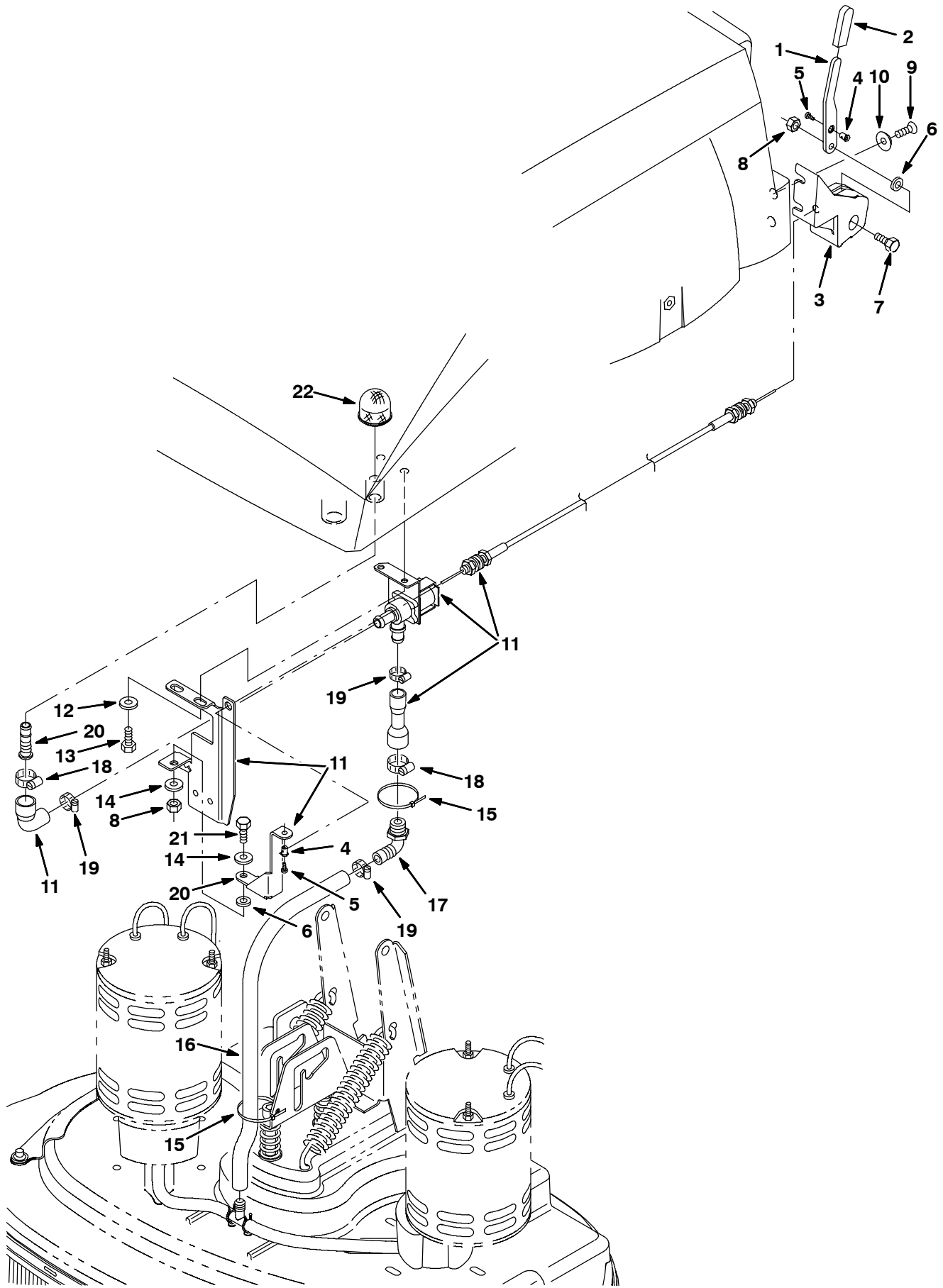


Fig. 14 - Solution Control Group (000000-011001)

Ref.	Part No.	Serial Number	Description	Qty.
1	222185	(000000-011001)	Lever, Control	1
2	222190	(000000-011001)	Grip, Handle	1
3	222186	(000000-011001)	Housing, Cntrl Lever	1
4	43242	(000000-011001)	Swivel	2
5	32515	(000000-011001)	Screw, Pan, #08-32 X 0.38, 1	2
6	43454	(000000-011001)	Washer, 0.34b 0.69d .06, Nyl	2
7	09011	(000000-011001)	Screw, Hex, M08 X 1.25 X 30, Ss	1
8	08713	(000000-011001)	Nut, Hex, Lock, M08 X 1.25, Ni, Ss	1
9	222463	(000000-011001)	Screw, Flat, M08 X 1.25 X 20, Blk	2
10	222466	(000000-011001)	Washer, Finish, M08, Blk	2
11	374754	(000000-011001)	Kit, Ci, Sol Valve [5680]	1
12	32490	(000000-011001)	Washer, Flt, .25 Std	2
13	15675	(000000-011001)	Screw, Hex, M08 X 1.25 X 16, Ss	2
14	01685	(000000-011001)	Washer, Flt, .31 Ss	2
15	49266	(000000-011001)	Tie, Cable, Nyl, 07.3l .19w 1.8 Max D	1
16	63184-4	(000000-011001)	Hose, Pvc, Wir, 0.50id 0.75od 27.00l	1
17	86509	(000000-011001)	Fitting, Plstc, E90, Bm08/Pm08	1
18	63810	(000000-011001)	Clamp, Hose, Wormdrive, 0.56-1.06d, .56w	2
19	54333	(000000-011001)	Clamp, Hose, Wormdrive, 0.31-0.88d	3
20	222728	(000000-011001)	Fitting, Plstc, Str, Bm08/FIng	1
21	09740	(000000-011001)	Screw, Hex, M08 X 1.25 X 20, Ss	1
22	222742	(000000-011001)	Screen, Drain	1

Fig. 15 - Solution Control Group (011002-)

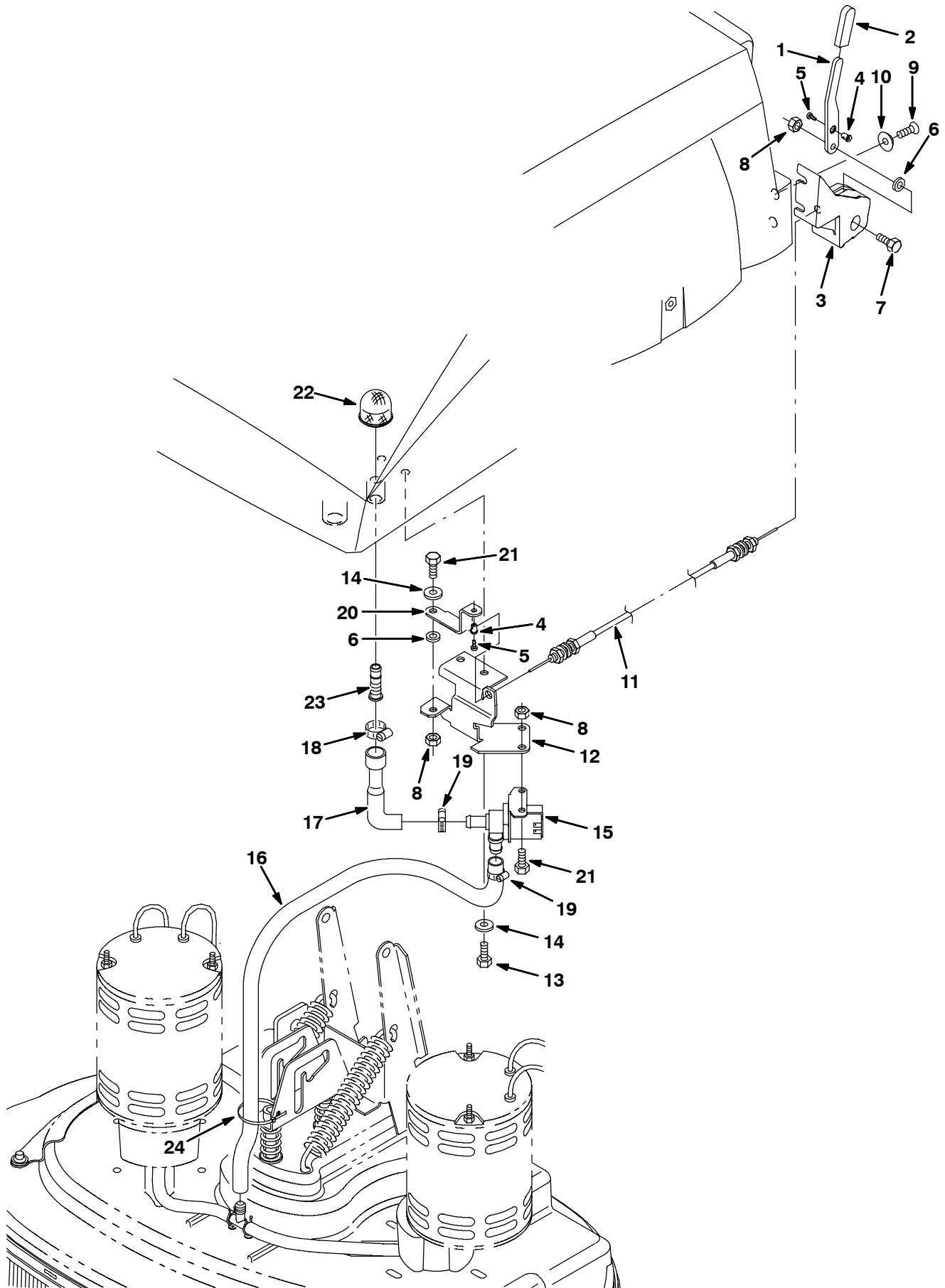


Fig. 15 - Solution Control Group (011002-)

Ref.	Part No.	Serial Number	Description	Qty.
1	222185	(011002-) Lever, Control	1
2	222190	(011002-) Grip, Handle	1
3	222186	(011002-) Housing, Cntrl Lever	1
4	43242	(011002-) Swivel	2
5	32515	(011002-) Screw, Pan, #08-32 X 0.38, 1	2
6	43454	(011002-) Washer, 0.34b 0.69d .06, Nyl	2
7	09011	(011002-) Screw, Hex, M08 X 1.25 X 30, Ss	1
8	08713	(011002-) Nut, Hex, Lock, M08 X 1.25, NI, Ss	4
9	222463	(011002-) Screw, Flat, M08 X 1.25 X 20, Blk	2
10	222466	(011002-) Washer, Finish, M08, Blk	2
11	222188	(011002-) Cable, Push/Pull, 51.5L, 1.3 .075	1
12	397787	(011002-) Bracket, Mtg, Valve	1
13	15675	(011002-) Screw, Hex, M08 X 1.25 X 16, Ss	2
14	01685	(011002-) Washer, Flt, .31 Ss	3
15	374752	(011002-) Valve, Solenoid	1
16	374753	(011002-) Hose, Pvc	1
17	397777	(011002-) Hose, Rbr, E90, 0.62ID 0.81ID (Valve)	1
18	63810	(011002-) Clamp, Hose, Wormdrive, 0.56-1.06d, .56w	1
19	54333	(011002-) Clamp, Hose, Wormdrive, 0.31-0.88d	2
20	222097	(011002-) Lever, Valve	1
21	09740	(011002-) Screw, Hex, M08 X 1.25 X 20, Ss	3
22	222742	(011002-) Screen, Drain	1
23	222728	(011002-) Fitting, Plstc, Str, Bm08/FIng	1
24	49266	(011002-) Tie, Cable, Nyl, 07.3l .19w 1.8 Max D	1

Fig. 16 - Battery Group

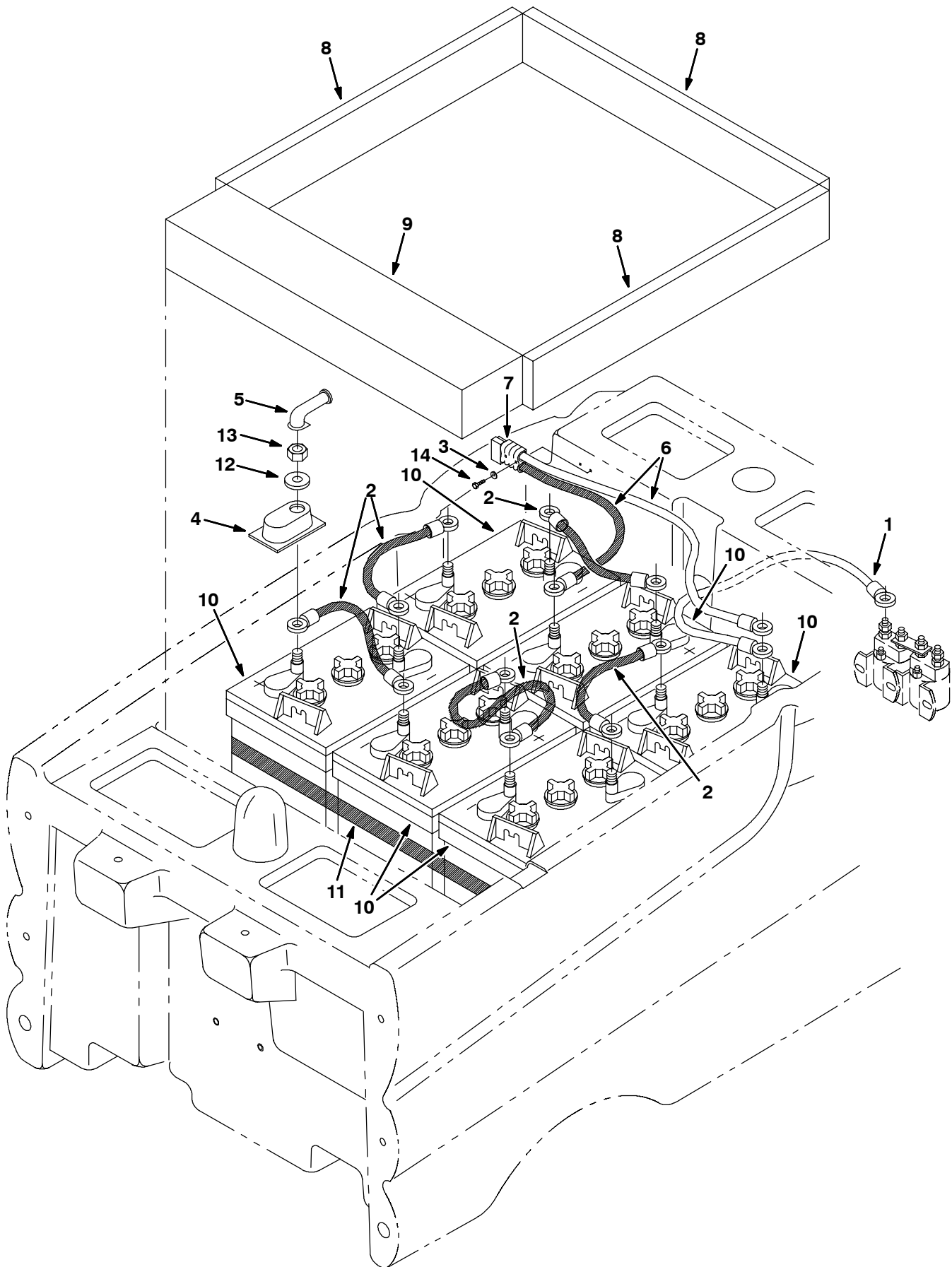


Fig. 16 - Battery Group

Ref.	Part No.	Serial Number	Description	Qty.	
1	222218	(000000-) Cable, Battery	1	
2	63735	(000000-) Wire, 06ga 11.0l Blk .38ring /.38ring	5	
3	01757	(000000-) Washer, Lock, Int, M03, Ss	2	
4	45962	(000000-) Cover, Terminal, Poly	12	
5	02076	(000000-) Boot, 90Deg .50D .57X .84	12	
▽	6	222217	(000000-) Harness, Cable, Battery	1
▲	7	24881	(000000-) Connector, Grey, SB50	1
▽		222778	(000000-) Battery Kit 36V 235Ah Wet	1
▲	8	222473	(000000-) Spacer, Battery .62X1.5X21.0	3
▲	9	222474	(000000-) Spacer, Battery 3.0X4.3X21.0	1
▲	10	222280	(000000-) Battery, 6V, Res Cap: 129 Wet	6
	11	222682	(000000-) Strap, Poly, Webbing, 100" L	1
	12	01685	(000000-) Washer, Flt, .31 Ss	12
	13	87435	(000000-) Nut, Hex, Flexlock, .31-18	12
	14	06922	(000000-) Screw, Pan, M03 X 0.5 X 20, 4.8	2

Fig. 17 - Steering Control Group

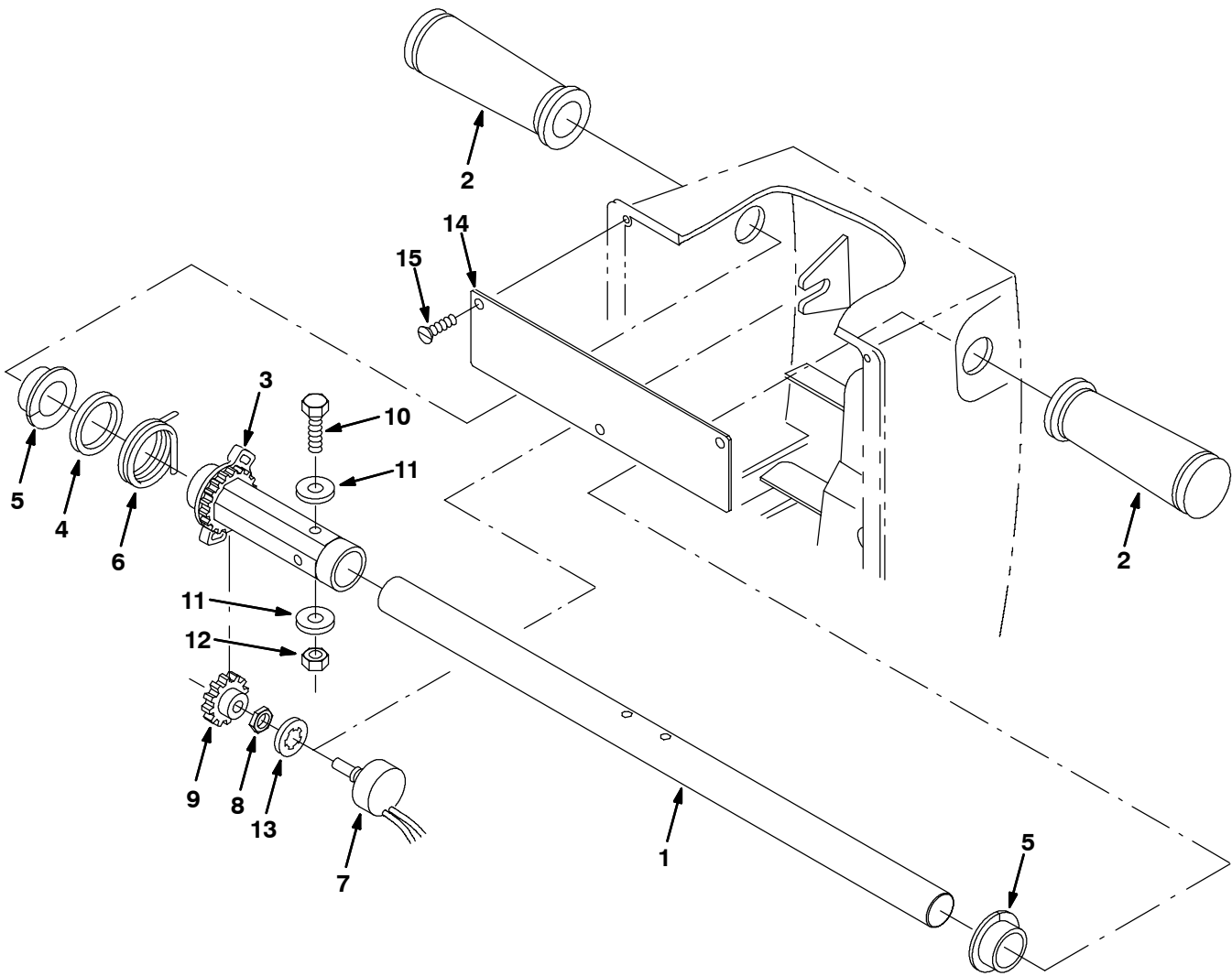


Fig. 17 - Steering Control Group

Ref.	Part No.	Serial Number	Description	Qty.
1	222740	(000000-) Handle, Speed Control	1
2	222648	(000000-) Grip, Handle, Round	2
3	222079	(000000-) Gear, Speed Control	1
4	222501	(000000-) Washer, Spacer, Speed Control	1
5	49514	(000000-) Bearing, Snap .875 Bore	2
6	222081	(000000-) Spring, Torsion Centering	1
7	397736	(000000-) Harness, Switch, Potentiometer	1
8	222607	(000000-) Nut-Hx Thin .38-32	1
9	27974	(000000-) Gear, 28 T. 24P	1
10	06947	(000000-) Screw, Hex, M06 X 1.0 X 40, 8.8	1
11	32483	(000000-) Washer, Flt, .25 Sae	2
12	08708	(000000-) Nut, Hex, Lock, M06 X 1.0, NI	1
13	32988	(000000-) Washer, Lock, Int, .38	1
14	222083	(000000-) Plate, Shield	1
15	222465	(000000-) Screw, Flt, M03 X 0.5 X 06, Ss	2

Fig. 18 - Operator Console Group

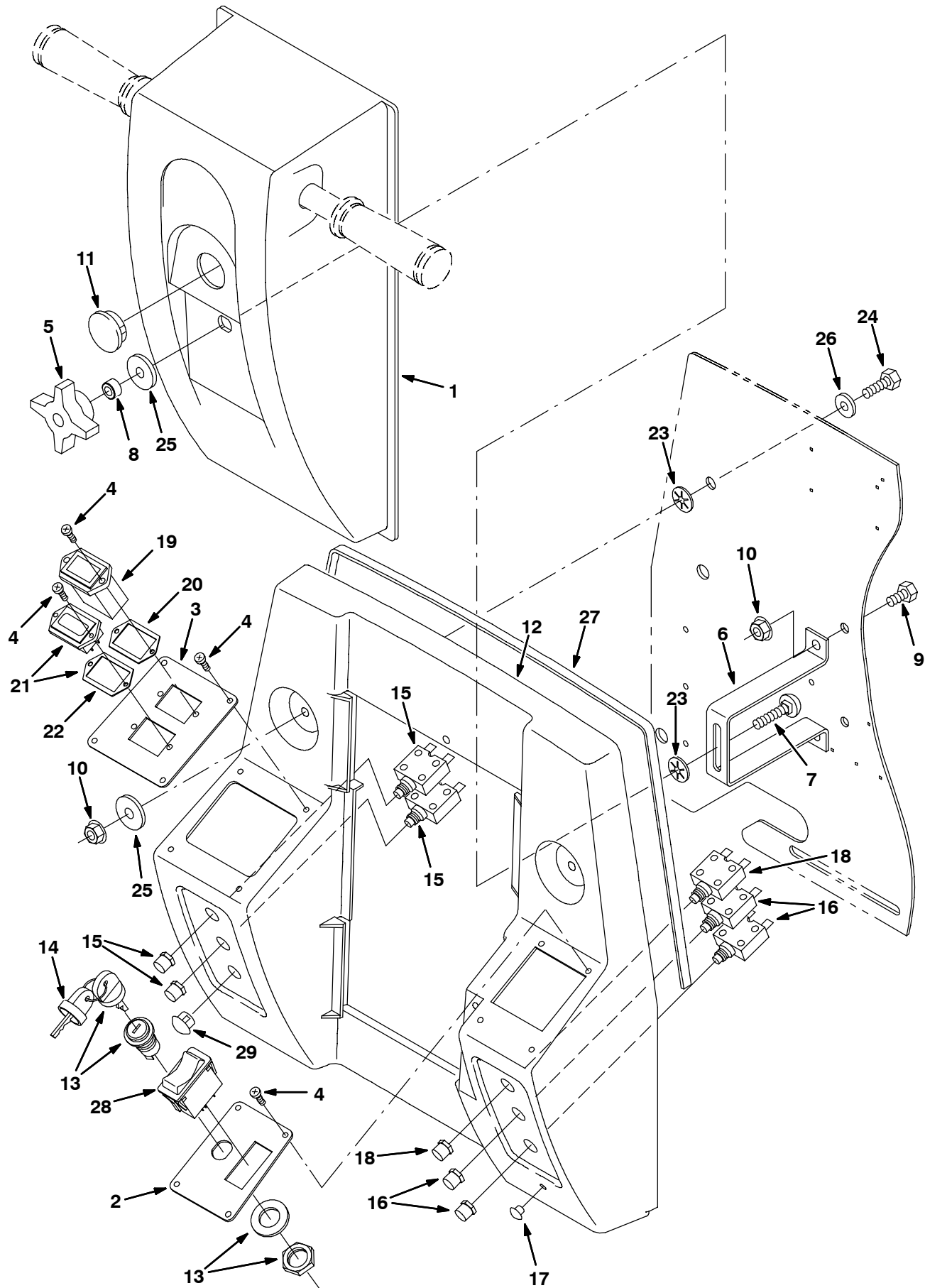


Fig. 18 - Operator Console Group

Ref.	Part No.	Serial Number	Description	Qty.	
1	397716	(000000-) Shroud, Steering, Adj, Rwk	1	
2	397761	(000000-) Cover, Ele, Rh	1	
3	397760	(000000-) Cover, Ele, Lh	1	
4	222267	(000000-) Screw, Pan, #06-20 X 0.50, Fmg, [Ab]	12	
5	370100	(000000-) Knob, 4-Prong W/.31-18, Insert	1	
6	397717	(000000-) Bracket, Shroud, Adj	1	
7	32968	(000000-) Bolt, Carriage, .31-18 X 2.00	1	
8	222248	(000000-) Sleeve	1	
9	15675	(000000-) Screw, Hex, M08 X 1.25 X 16, Ss	2	
10	07791	(000000-) Nut, Hex, Flng, M08 X 1.25	4	
11	76888	(000000-) Button, Plug, 1.25h .00-.12 [Black Nyl]	1	
12	368591	(000000-) Kit, Ci, Replmt, Rear Panel, [5680]	1	
▽	13	222282	(000000-) Switch	1
▲	14	222684	(000000-) Key, Set Of Two	1
	15	383725	(000000-) Circuitbreaker, 30.0a	2
	16	383724	(000000-) Circuitbreaker, 25.0a	2
	17	379000	(000000-) Button, Plug, 0.22h .00-.06 [Black Nyl]	1
	18	383721	(000000-) Circuitbreaker, 10.0a	1
	19	377324	(000000-017305)	Gauge Kit, Hourmeter, F/31988 [10k]	1
	19	377433	(017306-) Gauge, Hourmeter, 12-80vdc, Analog,Rt,.1	1
	20	222683	(000000-) Gasket, Hourmeter	1
▽	21	222115	(000000-) Gauge, Battery, 36vdc, 2.1 X 1.2	1
▲	22	222683	(000000-) Gasket, Hourmeter	1
	23	222768	(000000-) Pushnut, Fastener	3
	24	09023	(000000-) Screw, Hex, M08 X 1.25 X 35, Ss	2
	25	30013	(000000-) Washer, Flat, .31 Fender	3
	26	01685	(000000-) Washer, Flt, .31 Ss	2
	27	222639	(000000-) Seal, Rubber	1
	28	397889	(000000-) Switch, Rocker, Dpst	1
	29	56992	(000000-) Button, Plug, 0.50h .03-.12 [Black Nyl]	1

Fig. 19 - Electrical Panel Group

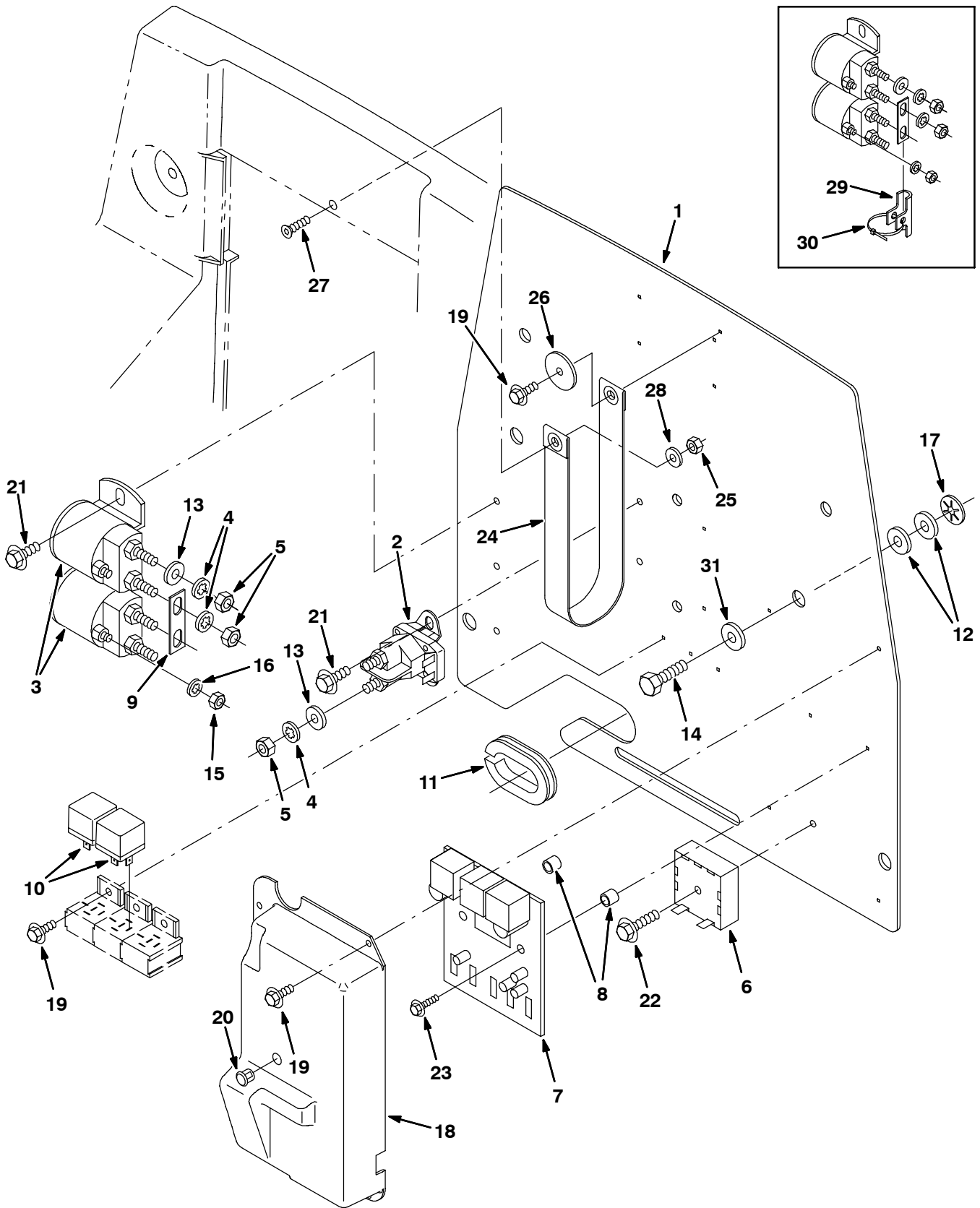


Fig. 19 - Electrical Panel Group

Ref.	Part No.	Serial Number	Description	Qty.
1	1002660	(000000-) Plate, Mtg, Electronic	1
2	383731	(000000-) Contactor, 36vdc, No	1
3	45405	(000000-) Contactor, 36vdc	2
4	32984	(000000-) Washer, Lock, Int, .31	6
5	20170	(000000-) Nut, Hex, Jam, .31-24	6
6	49047	(000000-) Module, Delay	1
7	397785	(000000-) Controller, Propel, 40 Amp	1
8	222104	(000000-) Spacer	2
9	769251	(000000-) Busbar, Contactor	1
10	398526	(000000-) Relay, 36vdc, 5a, Spdt	2
11	10632-13	(000000-) Grommet, Rbr, 1.50id, F/ 1.8h, .31matl	1
12	13248	(000000-) Washer, 0.40b 1.12d .12, Stl, Pl	8
13	39349	(000000-) Washer, Flt, .31 Sae	4
14	12333	(000000-) Screw, Hex, M08 X 1.25 X 25, Ss, NI	4
15	01713	(000000-) Nut, Hex, Std, #10-32, 2	2
16	32980	(000000-) Washer, Lock, Int, #10	2
17	222768	(000000-) Pushnut, Fastener	4
18	222472	(000000-) Cover, Electronic Board	1
19	16944	(000000-) Screw, Hex, M04 X 0.7 X 10, Fmg	7
20	01314	(000000-) Button, Plug, 0.38h .03-.12 [Black Nyl]	1
21	222158	(000000-) Screw, Hex, M06 X 1.0 X 10, Fmg	5
22	222159	(000000-) Screw, Hex, M06 X 1.0 X 25, Fmg	1
23	71026	(000000-) Screw, Hex, Fmg, M04-0.7 X 20	2
24	222450	(000000-) Strap	1
25	08712	(000000-) Nut, Hex, Lock, M06 X 1.0, NI, Ss	1
26	41178	(000000-) Washer, Flat, .25 Fender	1
27	09163	(000000-) Screw, Flt, M06 X 1.0 X 16, Ss	1
28	01684	(000000-) Washer, Flt, .25 Ss	1
29	1002447	(000000- xxxxxx) Insulator, Rbr, Flt, Busbar	1
30	49266	(000000- xxxxxx) Tie, Cable, Nyl, 07.3l .19w 1.8 Max D	1
31	01685	(000000-) Washer, Flat, .31 Ss	4

Fig. 20 - Squeegee Lift Group

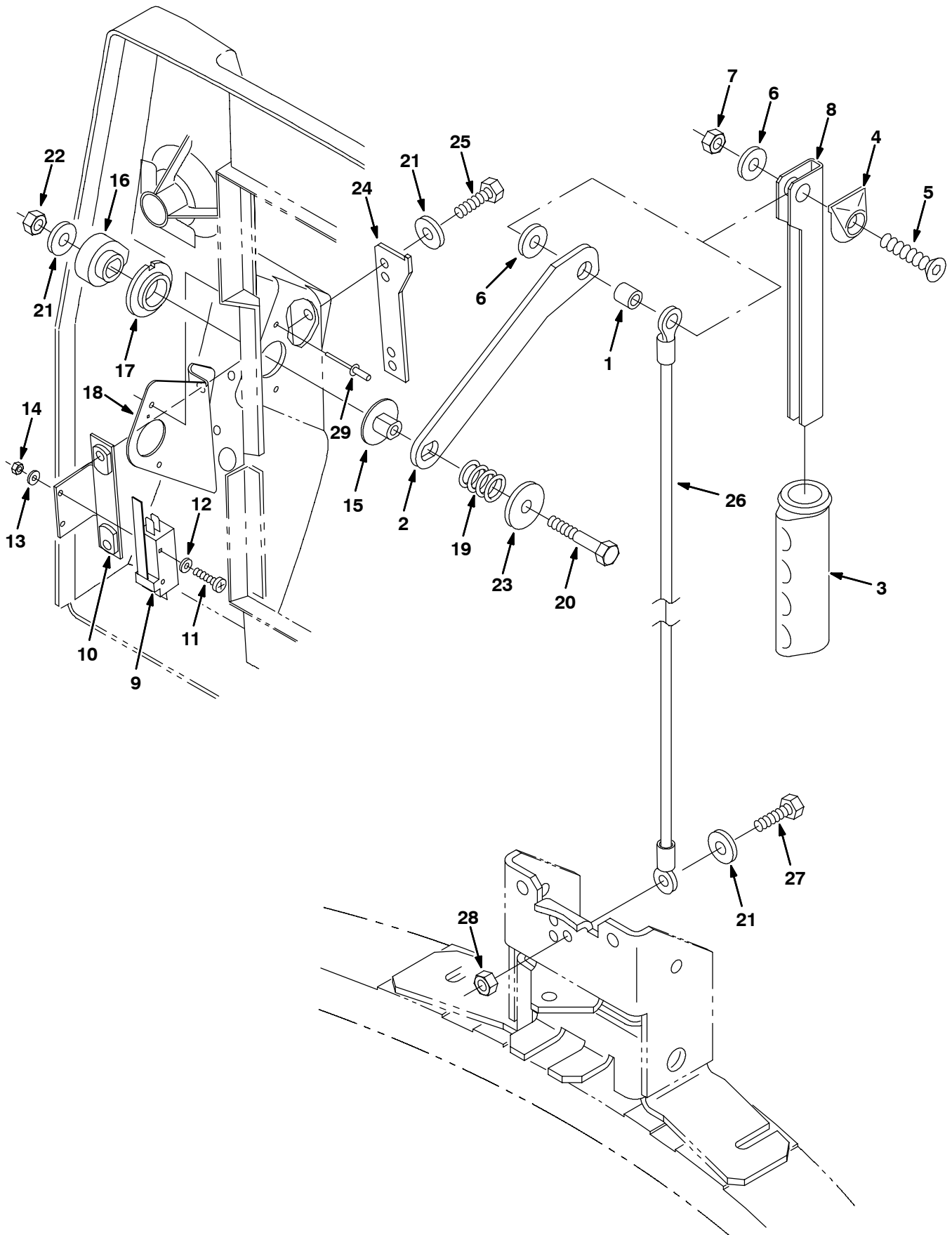


Fig. 20 - Squeegee Lift Group

Ref.	Part No.	Serial Number	Description	Qty.
1	222460	(000000-) Sleeve	1
2	222139	(000000-) Lever, Squeegee Lift	1
3	222647	(000000-) Grip, Handle [Oblong]	1
4	222665	(000000-) Bumper, Handle	1
5	79506	(000000-) Screw, Flat, M08-1.25x 30, Ss	1
6	01685	(000000-) Washer, Flt, .31 Ss	2
7	08713	(000000-) Nut, Hex, Lock, M08 X 1.25, NI, Ss	1
8	222448	(000000-) Lever, Squeegee Lift, Upper	1
9	1008142	(000000-) Switch, Micro, Spdt	1
10	222402	(000000-) Bracket, Switch, Fan	1
11	06923	(000000-) Screw, Pan, M03 X 0.5 X 25, 4.8	2
12	19064	(000000-) Washer, Flt, #06	2
13	01757	(000000-) Washer, Lock, Int, M03, Ss	2
14	01754	(000000-) Nut, Hex, Std, M03 X 0.5	2
15	374745	(000000-) Pivot	1
16	222400	(000000-) Cam, Switch, Fan	1
17	222868	(000000-) Bushing, Flng, 0.75b 1.00d 0.28l, Bnz	1
18	222867	(000000-) Plate, Sqge, Pivot	1
19	57889	(000000-) Spring, Cmpr, 0.69od .05wir 0.6l	1
20	06948	(000000-) Screw, Hex, M06 X 1.0 X 45, 8.8	1
21	01684	(000000-) Washer, Flt, .25 Ss	4
22	08708	(000000-) Nut, Hex, Lock, M06 X 1.0, NI	1
23	41178	(000000-) Washer, Flat, .25 Fender	2
24	222138	(000000-) Bracket, Catch	1
25	11329	(000000-) Screw, Hex, M06 X 1.0 X 16, Ss, NI	2
26	222227	(000000-) Cable, .13d, 26.7l, .50eye /.25eye	1
27	15678	(000000-) Screw, Hex, M06 X 1.0 X 16, Ss	1
28	08712	(000000-) Nut, Hex, Lock, M06 X 1.0, NI, Ss	1
29	34738	(000000-) Rivet, Blind, .125d X 0.32 X .25d, Stl	2

Fig. 21 - Squeegee Linkage Group

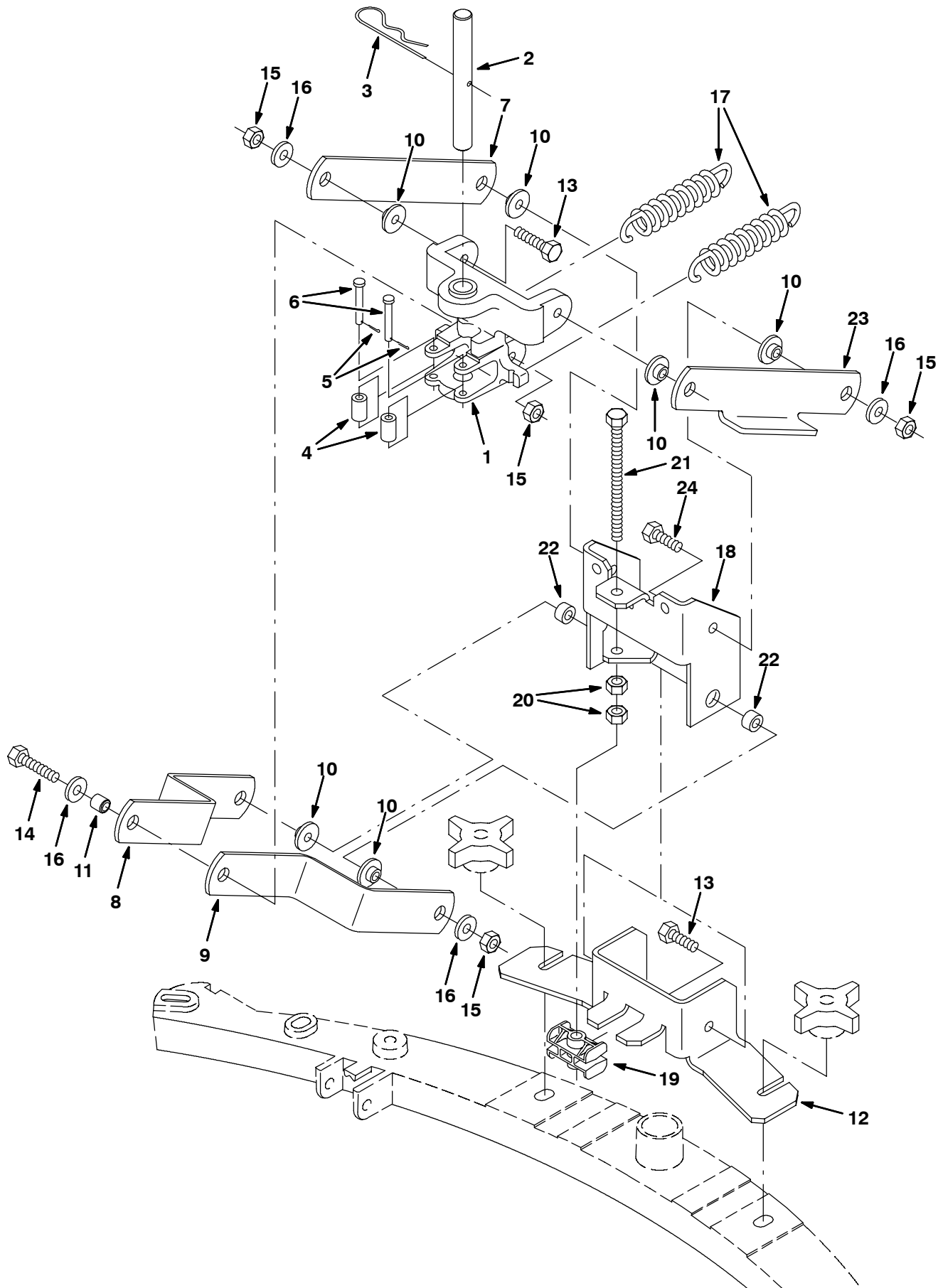


Fig. 21 - Squeegee Linkage Group

Ref.	Part No.	Serial Number	Description	Qty.
1	222399	(000000-) Block, Mach, Pivot	1
2	222239	(000000-) Pin, 0.62d 05.4l 1/.16h 2/Cham	1
3	02942	(000000-) Pin, Hair Cotter, 0.62 D .120 Wir	1
4	222468	(000000-) Roller	2
5	08178	(000000-) Pin, Cotter, .062 X 0.75	2
6	05283	(000000-) Pin, Clevis, 6mm D X 40mm	2
7	397820	(000000-) Link, Sqge, Upper	1
8	397821	(000000-) Link, Sqge, Lower, Rh	1
9	397822	(000000-) Link, Sqge, Lower, Lh	1
10	80950	(000000-) Bushing, Flng, 0.32b 0.50d 0.26l, Bnz	6
11	222460	(000000-) Sleeve	2
12	222230	(000000-) Bracket, Linkage, Lower	1
13	09023	(000000-) Screw, Hex, M08 X 1.25 X 35, Ss	4
14	09026	(000000-) Screw, Hex, M08 X 1.25 X 40, Ss	1
15	08713	(000000-) Nut, Hex, Lock, M08 X 1.25, Ni, Ss	7
16	01685	(000000-) Washer, Flt, .31 Ss	7
17	222236	(000000-) Spring, Extn, 1.00od X 0.12wir, 5.0l	2
18	222231	(000000-) Bracket, Linkage, Upper	1
19	222233	(000000-) Block, Sqge, Adj	1
20	07786	(000000-) Nut, Hex, Std, M08 X 1.25, Ss	2
21	49883	(000000-) Screw, Hex, M08 X 1.25 X 120, Fl	1
22	360460	(000000-) Spacer	2
23	1018718	(000000-) Link, Sqge, Upper, Lh	1
24	09010	(000000-) Screw, Hex, M08 X 1.25 X 25, Ss	2

Fig. 22 - Squeegee Group, Model 700, 700 mm (28 in)

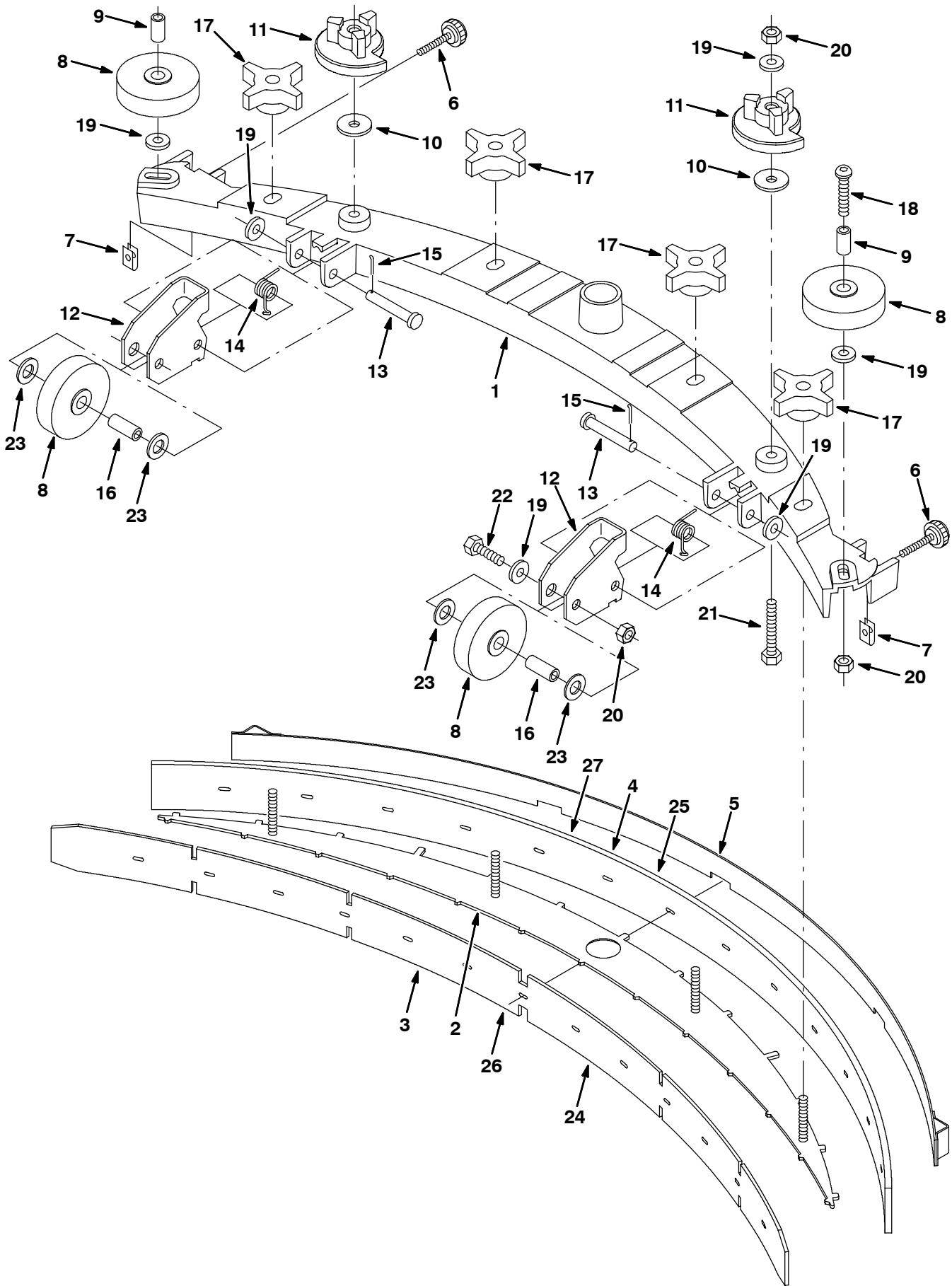


Fig. 22 - Squeegee Group, Model 700, 700 mm (28 in)

Ref.	Part No.	Serial Number	Description	Qty.
▽	397751	(000000-) Kit, Ci, Sqge, Assy, [5680] [700d]	1
▲	1 222131	(000000-) Frame, Sqge 28"	1
▲	2 222368	(000000-) Plate, Blade Retainer 28"	1
▲	3 222381	(000000-) Blade, Squeegee,Front, 28"	1
▲	4 222382	(000000-) Blade, Squeegee,Rear, 28"	1
▲	5 222378	(000000-) Band Wldt, Sqge 28	1
▲	6 222794	(000000-) Knob, W1.25-20X1.5Lg Stud	2
▲	7 82138	(000000-) Nut Speed,Retainer, .25-20 Thd	2
▲	8 222066	(000000-) Wheel, 3.0 Dia	4
▲	9 222496	(000000-) Sleeve	2
▲	10 222268	(000000-) Washer, .375B 1.25D .12Neopre	2
▲	11 222244	(000000-) Cam, Adj, Sqge	2
▲	12 222245	(000000-) Bracket, Mtg, Wheel	2
▲	13 222260	(000000-) Pin, Clevis, 0.37 Dia 2.25Lg	2
▲	14 222130	(000000-) Spring, Torsion, Wheel	2
▲	15 39005	(000000-) Pin, Cotter .094X0.75	2
▲	16 222497	(000000-) Sleeve	2
▲	17 370100	(000000-) Knob, 4 Prongs w/.31-8 Insert	4
▲	18 397826	(000000-) Screw, Btn, M8 X 1.25 X 40, Ss18-8	2
▲	19 01685	(000000-) Washer Flt .31 Ss	8
▲	20 08713	(000000-) Nut-Hxlocnyln M 8X1.25 Reg Ss	6
▲	21 09767	(000000-) Scr Hexssm 8X1.25 70	2
▲	22 49694	(000000-) Scr Hex Ssm 8X1.25 50	2
▲	23 32486	(000000-) Washer, Flt, .50 Sae	4
▽	222422	(000000-) Squeegee Kit, F/Tile Gumrbr700	1
▲	24 222385	(000000-) Blade, Squeegee, Tile 28"	1
▲	25 222387	(000000-) Blade, Squeegee, Rear, Gum 28"	1
▽	222428	(000000-) Squeegee Kit Oil Rs Urethan700	1
▲	26 222391	(000000-) Blade, Sqge, Front 28" Oil Rst	1
▲	27 222389	(000000-) Blade, Sqge, Rear 28"Oil Resis	1

Fig. 23 - Squeegee Group, Model 800, 800 mm (32 in)

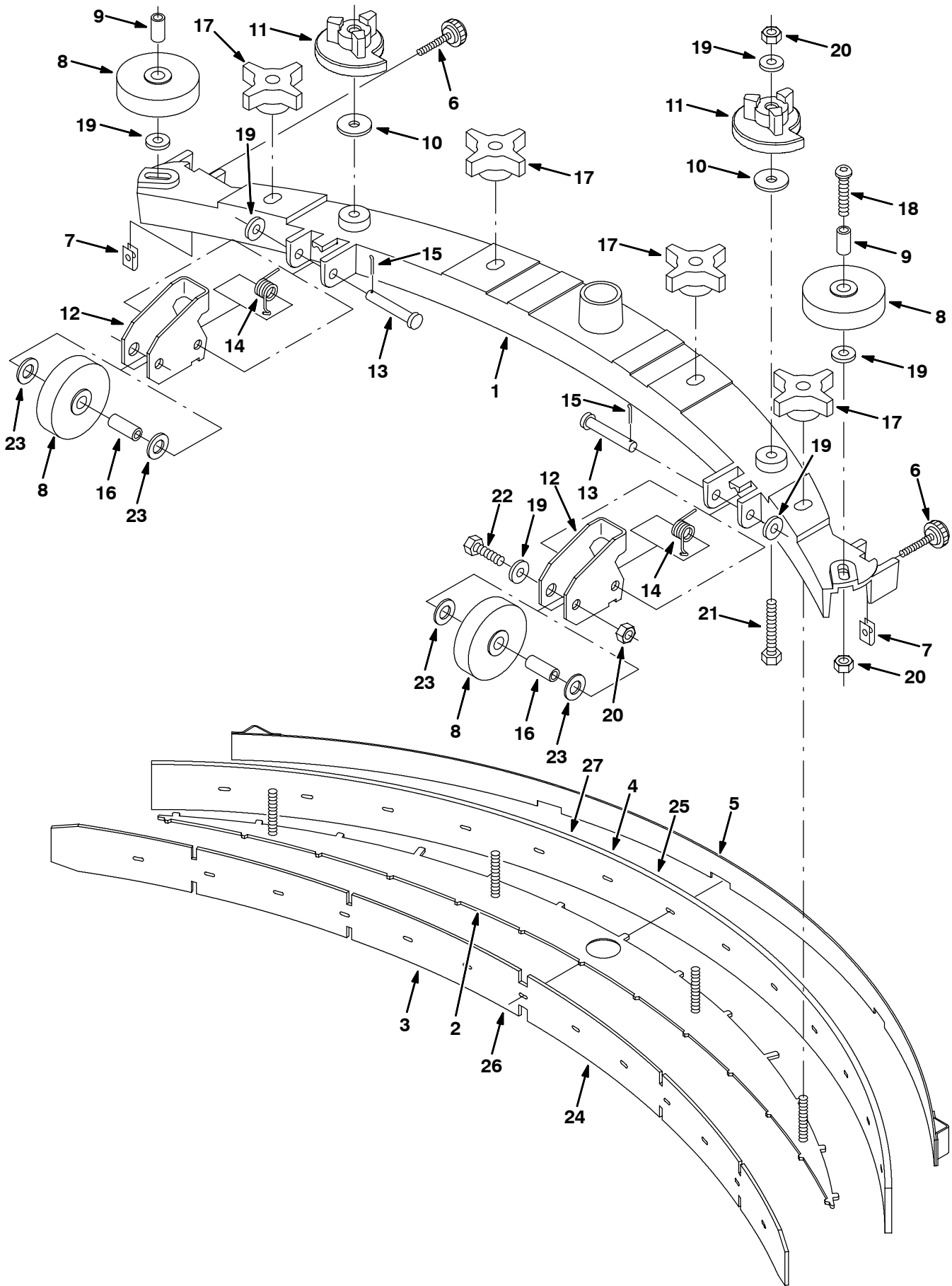


Fig. 23 - Squeegee Group, Model 800, 800 mm (32 in)

Ref.	Part No.	Serial Number	Description	Qty.
▽	397749	(000000-) Kit, Ci, Sqge, Assy, [5680] [800d]	1
▲	1 222134	(000000-) Frame, Squeegee 32"	1
▲	2 222240	(000000-) Plate, Blade Retainer 32	1
▲	3 222241	(000000-) Blade, Squeegee,Front, 32"	1
▲	4 222242	(000000-) Blade, Squeegee,Rear, 32"	1
▲	5 222243	(000000-) Band Wldt, Sqge 32	1
▲	6 222794	(000000-) Knob, W1.25-20X1.5Lg Stud	2
▲	7 82138	(000000-) Nut Speed,Retainer, .25-20 Thd	2
▲	8 222066	(000000-) Wheel, 3.0 Dia	4
▲	9 222496	(000000-) Sleeve	2
▲	10 222268	(000000-) Washer, .375B 1.25D .12Neopre	2
▲	11 222244	(000000-) Cam, Adj, Sqge	2
▲	12 222245	(000000-) Bracket, Mtg, Wheel	2
▲	13 222260	(000000-) Pin, Clevis, 0.37 Dia 2.25Lg	2
▲	14 222130	(000000-) Spring, Torsion, Wheel	2
▲	15 39005	(000000-) Pin, Cotter .094X0.75	2
▲	16 222497	(000000-) Sleeve	2
▲	17 370100	(000000-) Knob, 4 Prongs w/.31-8 Insert	4
▲	18 397826	(000000-) Screw, Btn, M8 X 1.25 X 40, Ss18-8	2
▲	19 01685	(000000-) Washer Flt .31 Ss	8
▲	20 08713	(000000-) Nut-Hxlocnyln M 8X1.25 Reg Ss	6
▲	21 09767	(000000-) Scr Hexssm 8X1.25 70	2
▲	22 49694	(000000-) Scr Hex Ssm 8X1.25 50	2
▲	23 32486	(000000-) Washer, Flt, .50 Sae	4
▽	222423	(000000-) Squeegee Kit F/Tile Gumrbr 800	1
▲	24 222384	(000000-) Blade, Squeegee, Tile, 32"	1
▲	25 222386	(000000-) Blade, Squeegee, Rear,Gum 32"	1
▽	222429	(000000-) Squeegee Kit Oil Rs Urethn 800	1
▲	26 222392	(000000-) Blade, Sqge Front,32" Oil Rst	1
▲	27 222388	(000000-) Blade, Sqge, Rear 32" Oil Resi	1

Fig. 24 - Squeegee Group, Model 900, 900 mm (36 in)

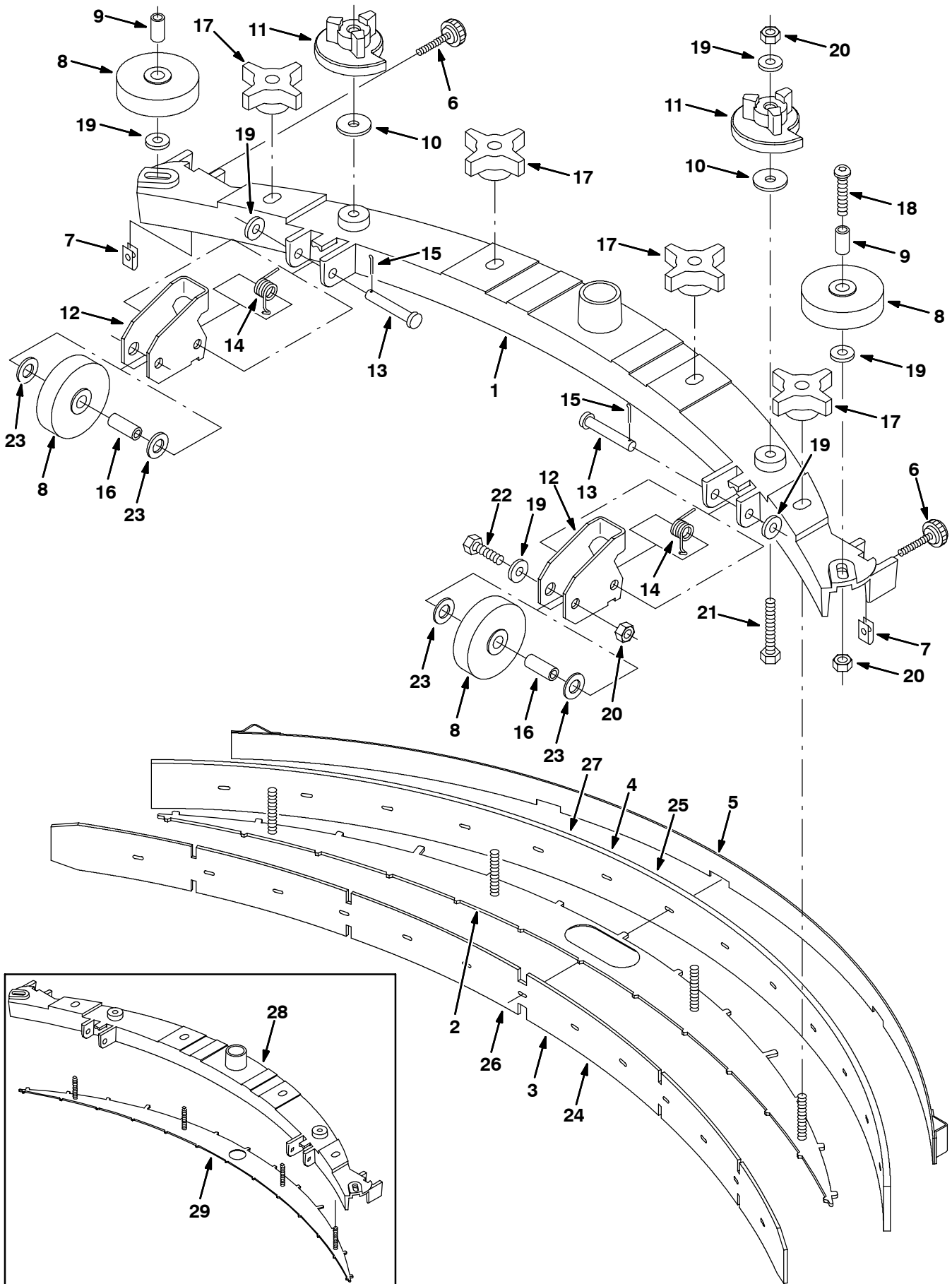
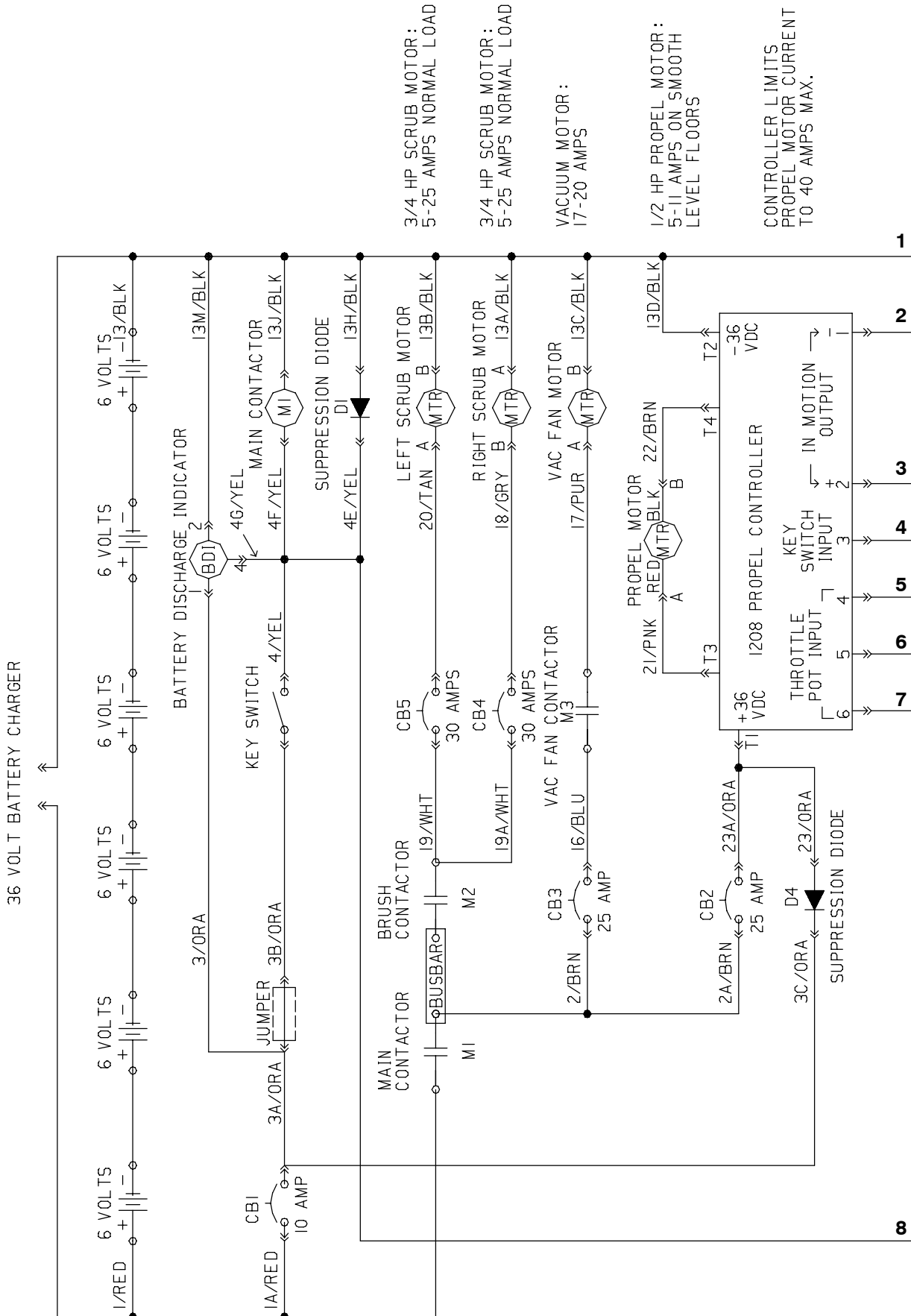


Fig. 24 - Squeegee Group, Model 900, 900 mm (36 in)

Ref.	Part No.	Serial Number	Description	Qty.
▽	397750	(000000-) Kit, Ci, Sqge, Assy, [5680] [900d]	1
▲	1 392206	(xxxxxx-) Frame, Squeegee 36"	1
▲	2 392211	(xxxxxx-) Plate, Blade Retainer 36"	1
▲	3 222413	(000000-) Blade, Squeegee,Front, 36"	1
▲	4 222415	(000000-) Blade, Squeegee,Rear, 36"	1
▲	5 222417	(000000-) Band Wldt, Sqge 36	1
▲	6 222794	(000000-) Knob, W1.25-20X1.5Lg Stud	2
▲	7 82138	(000000-) Nut Speed,Retainer, .25-20 Thd	2
▲	8 222066	(000000-) Wheel, 3.0 Dia	4
▲	9 222496	(000000-) Sleeve	2
▲	10 222268	(000000-) Washer, .375B 1.25D .12Neopre	2
▲	11 222244	(000000-) Cam, Adj, Sqge	2
▲	12 222245	(000000-) Bracket, Mtg, Wheel	2
▲	13 222260	(000000-) Pin, Clevis, 0.37 Dia 2.25Lg	2
▲	14 222130	(000000-) Spring, Torsion, Wheel	2
▲	15 39005	(000000-) Pin, Cotter .094X0.75	2
▲	16 222497	(000000-) Sleeve	2
▲	17 370100	(000000-) Knob, 4 Prongs w/.31-8 Insert	4
▲	18 397826	(000000-) Screw, Btn, M8 X 1.25 X 40, Ss18-8	2
▲	19 01685	(000000-) Washer Flt .31 Ss	8
▲	20 08713	(000000-) Nut-Hxlocnyln M 8X1.25 Reg Ss	6
▲	21 09767	(000000-) Scr Hexssm 8X1.25 70	2
▲	22 49694	(000000-) Scr Hex Ssm 8X1.25 50	2
▲	23 32486	(000000-) Washer, Flt, .50 Sae	4
▽	222424	(000000-) Squeegee Kit F/Tile Gumbr 900	1
▲	24 222414	(000000-) Blade, Squeegee, Tile, 36"	1
▲	25 222416	(000000-) Blade, Squeegee, Rear Gum, 36"	1
▽	222433	(000000-) Squeegee Kit Oil Rs Urethn 900	1
▲	26 222434	(000000-) Blade, Sqge, Front, 36"Oil Rst	1
▲	27 222435	(000000-) Blade, Sqge, Rear 36" Oil Rst	1
	28 392221	(000000- xxxxxx)	Kit, Replmt, Sqge Frame, F/222411	1
	29 222412	(000000- xxxxxx)	Plate, Blade Retainer 36"	1

Fig. 25 - Electrical Schematic (000000-012929)



3/4 HP SCRUB MOTOR:
5-25 AMPS NORMAL LOAD

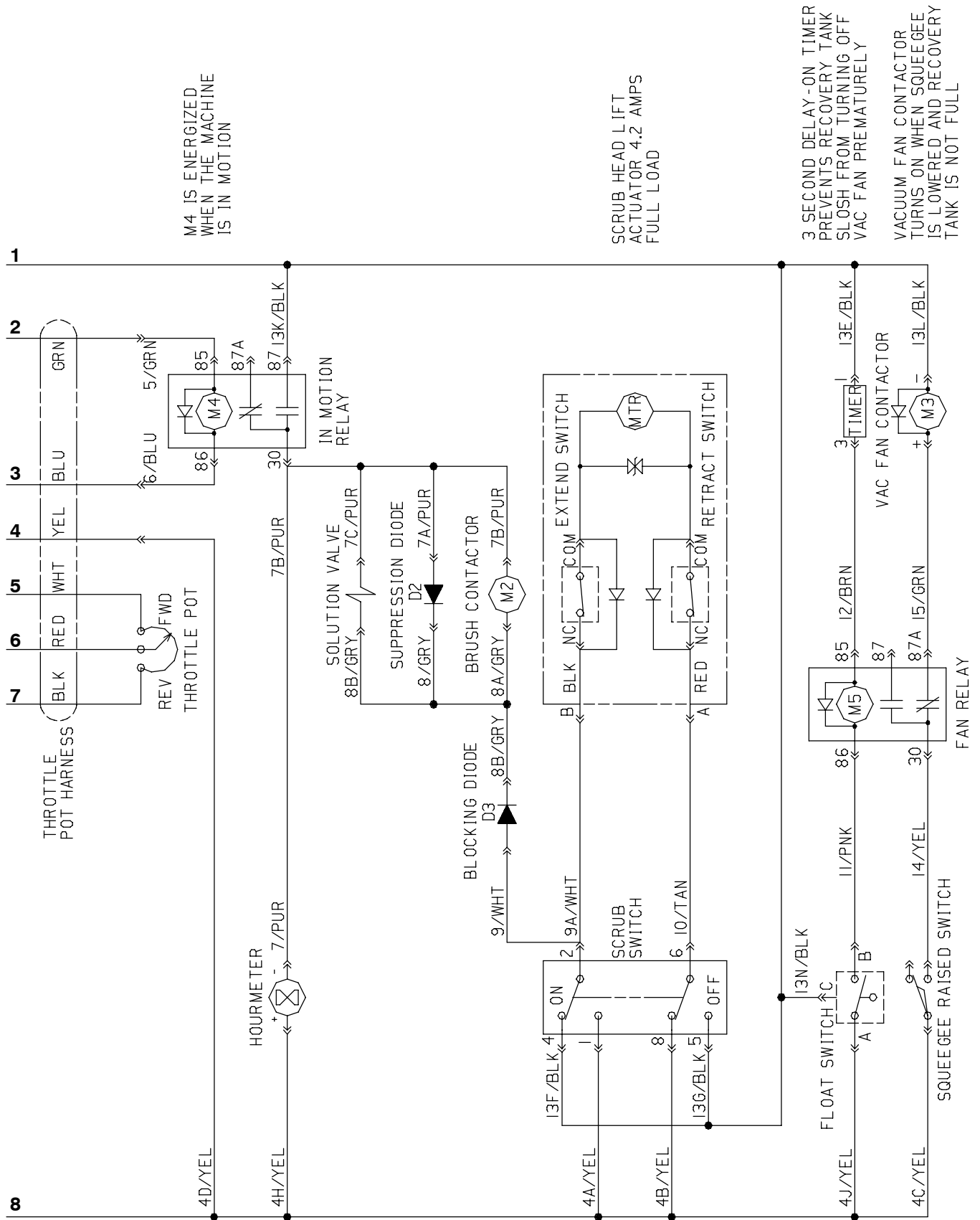
3/4 HP SCRUB MOTOR:
5-25 AMPS NORMAL LOAD

VACUUM MOTOR:
17-20 AMPS

1/2 HP PROPEL MOTOR:
5-11 AMPS ON SMOOTH
LEVEL FLOORS

CONTROLLER LIMITS
PROPEL MOTOR CURRENT
TO 40 AMPS MAX.

Fig. 25 - Electrical Schematic (000000-012929)

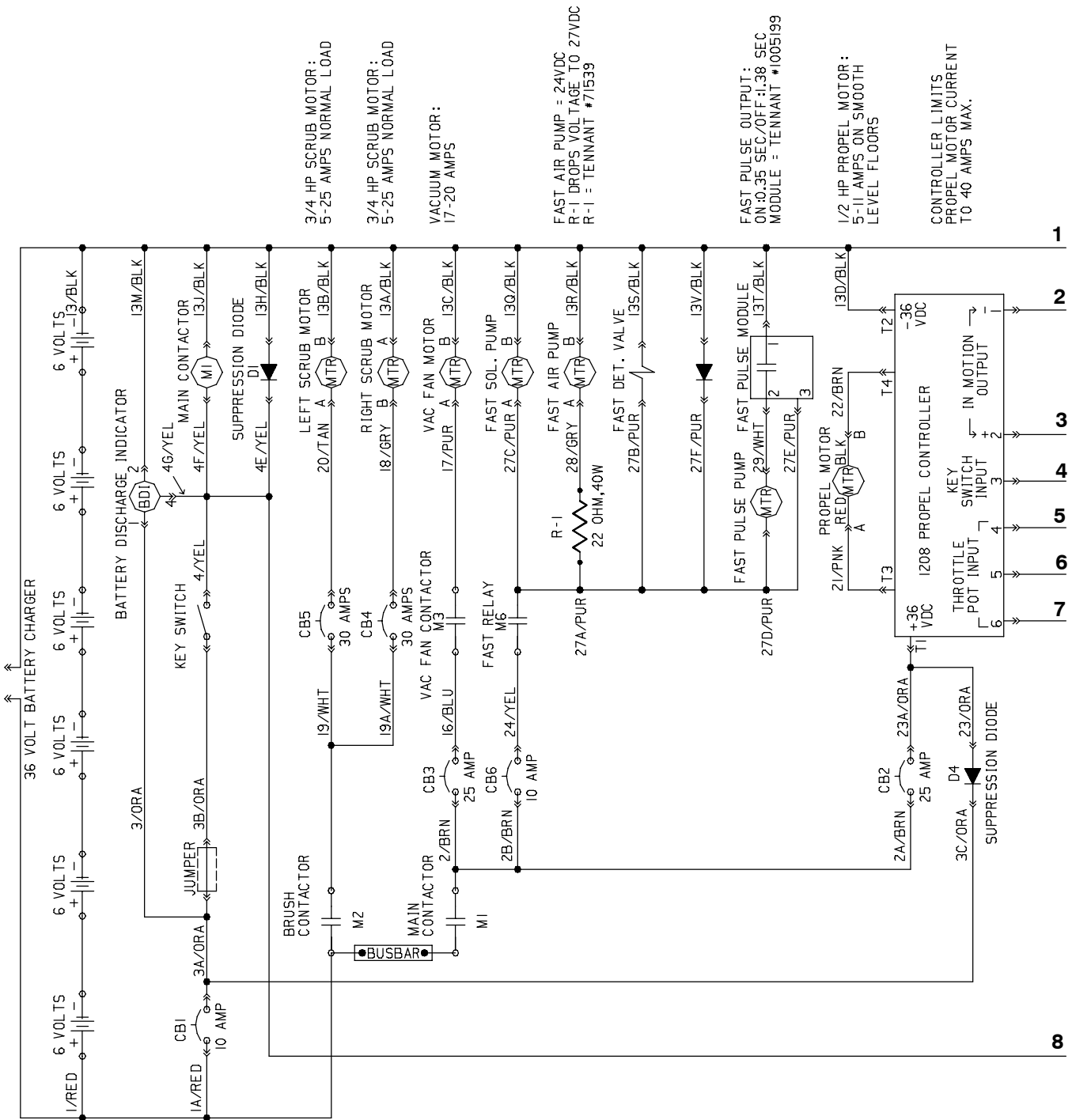


M4 IS ENERGIZED WHEN THE MACHINE IS IN MOTION

SCRUB HEAD LIFT ACTUATOR 4.2 AMPS FULL LOAD

3 SECOND DELAY - ON TIMER PREVENTS RECOVERY TANK SLOSH FROM TURNING OFF VAC FAN PREMATURELY
 VACUUM FAN CONTACTOR TURNS ON WHEN SQUEEGEE IS LOWERED AND RECOVERY TANK IS NOT FULL

Fig. 26 - Electrical Schematic (012930-)



3/4 HP SCRUB MOTOR :
5-25 AMPS NORMAL LOAD

3/4 HP SCRUB MOTOR :
5-25 AMPS NORMAL LOAD

VACUUM MOTOR :
17-20 AMPS

FAST AIR PUMP = 24VDC
R-1 DROPS VOLTAGE TO 27VDC
R-1 = TENNANT #71539

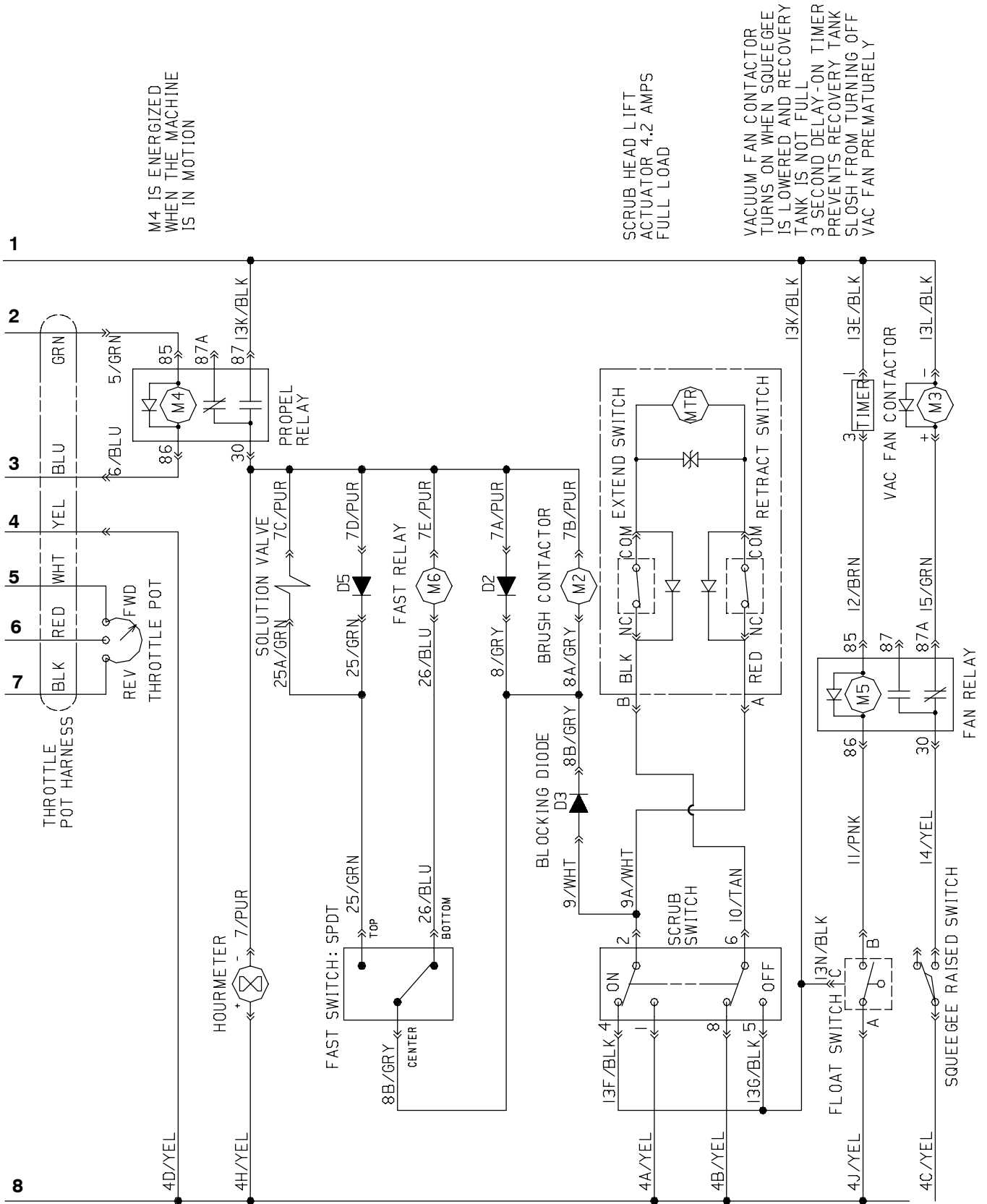
FAST PULSE OUTPUT :
ON 0.35 SEC/OFF 1.38 SEC
MODULE = TENNANT #1005199

1/2 HP PROPPEL MOTOR :
5-II AMPS ON SMOOTH
LEVEL FLOORS

CONTROLLER LIMITS
PROPPEL MOTOR CURRENT
TO 40 AMPS MAX.

1
2
3
4
5
6
7
8

Fig. 26 - Electrical Schematic (012930-)



M4 IS ENERGIZED WHEN THE MACHINE IS IN MOTION

SCRUB HEAD LIFT ACTUATOR 4.2 AMPS FULL LOAD

VACUUM FAN CONTACTOR TURNS ON WHEN SQUEEGEE IS LOWERED AND RECOVERY TANK IS NOT FULL 3 SECONDS DELAY - ON TIMER PREVENTS RECOVERY TANK SLOSH FROM TURNING OFF VAC FAN PREMATURELY

Fig. 27 - Electrical Wire Harness Group

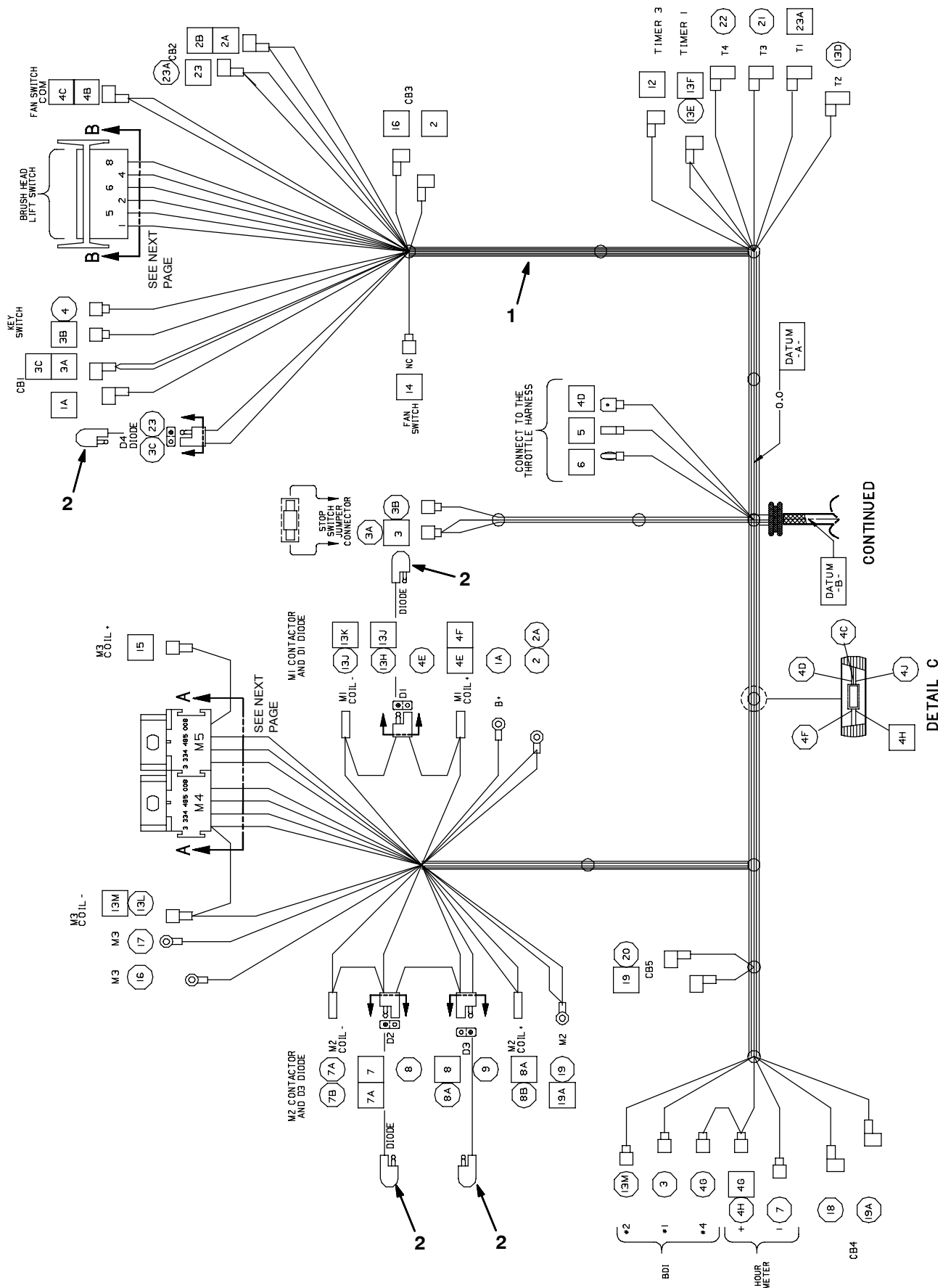


Fig. 27 - Electrical Wire Harness Group

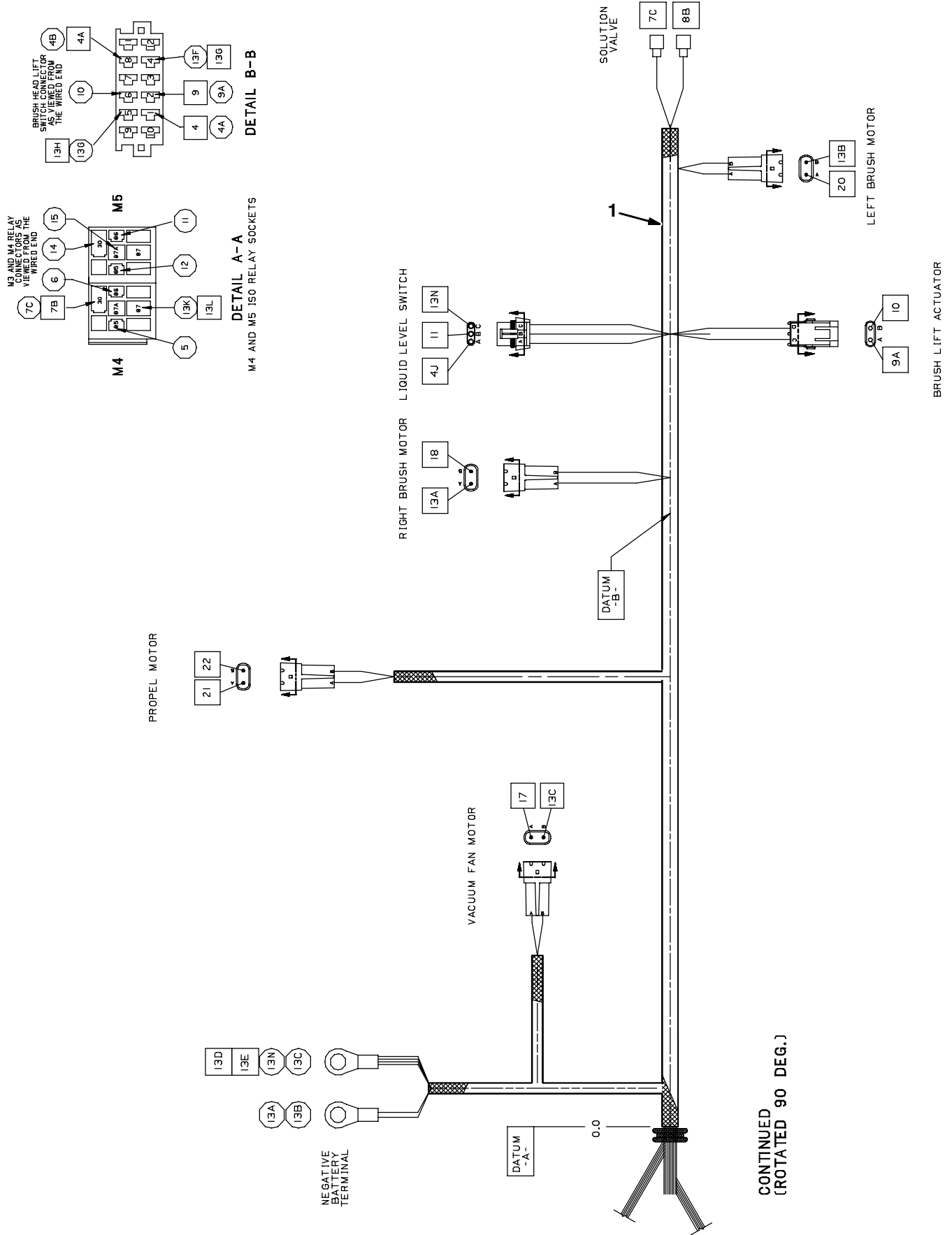


Fig. 27 - Electrical Wire Harness Group

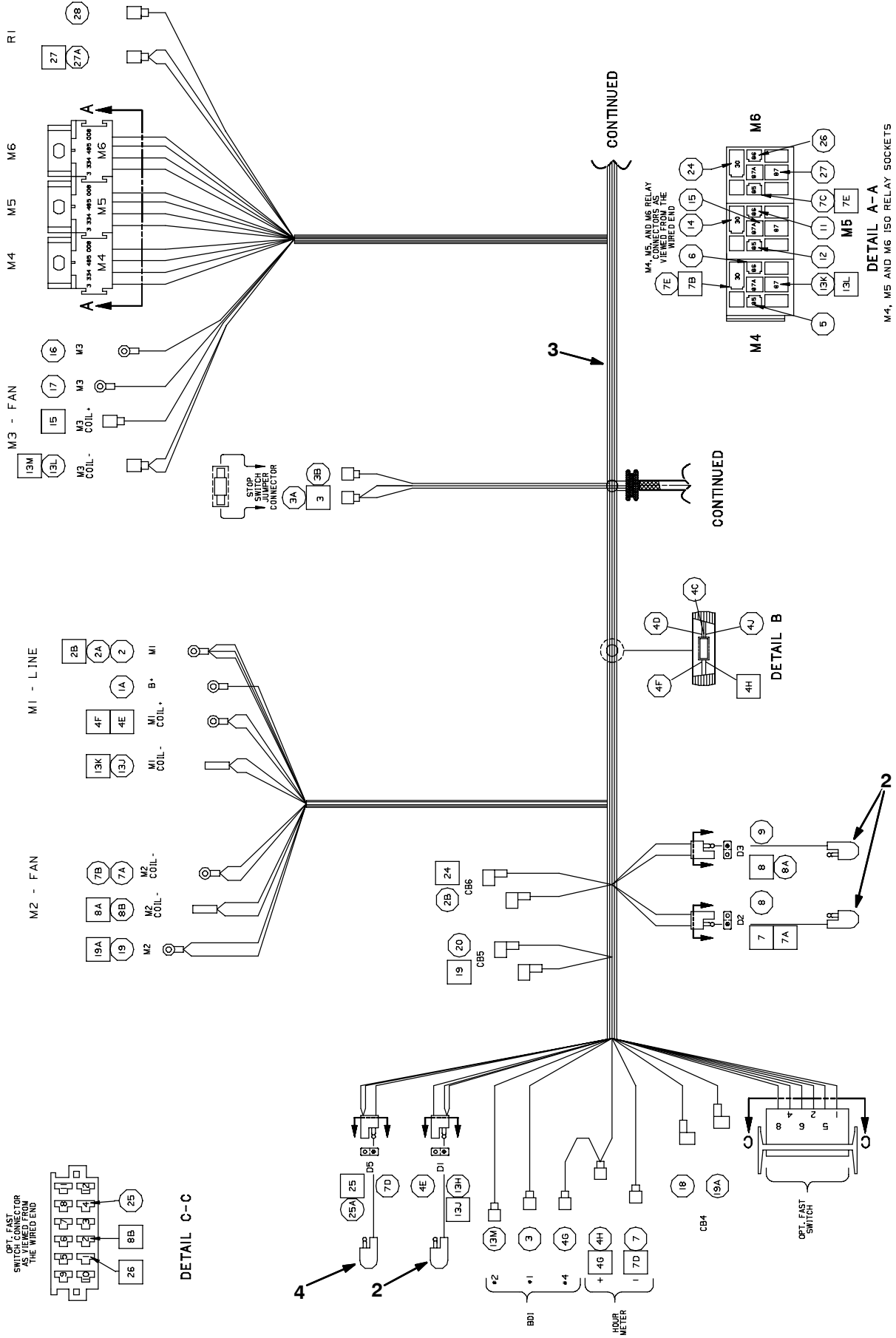


Fig. 27 - Electrical Wire Harness Group

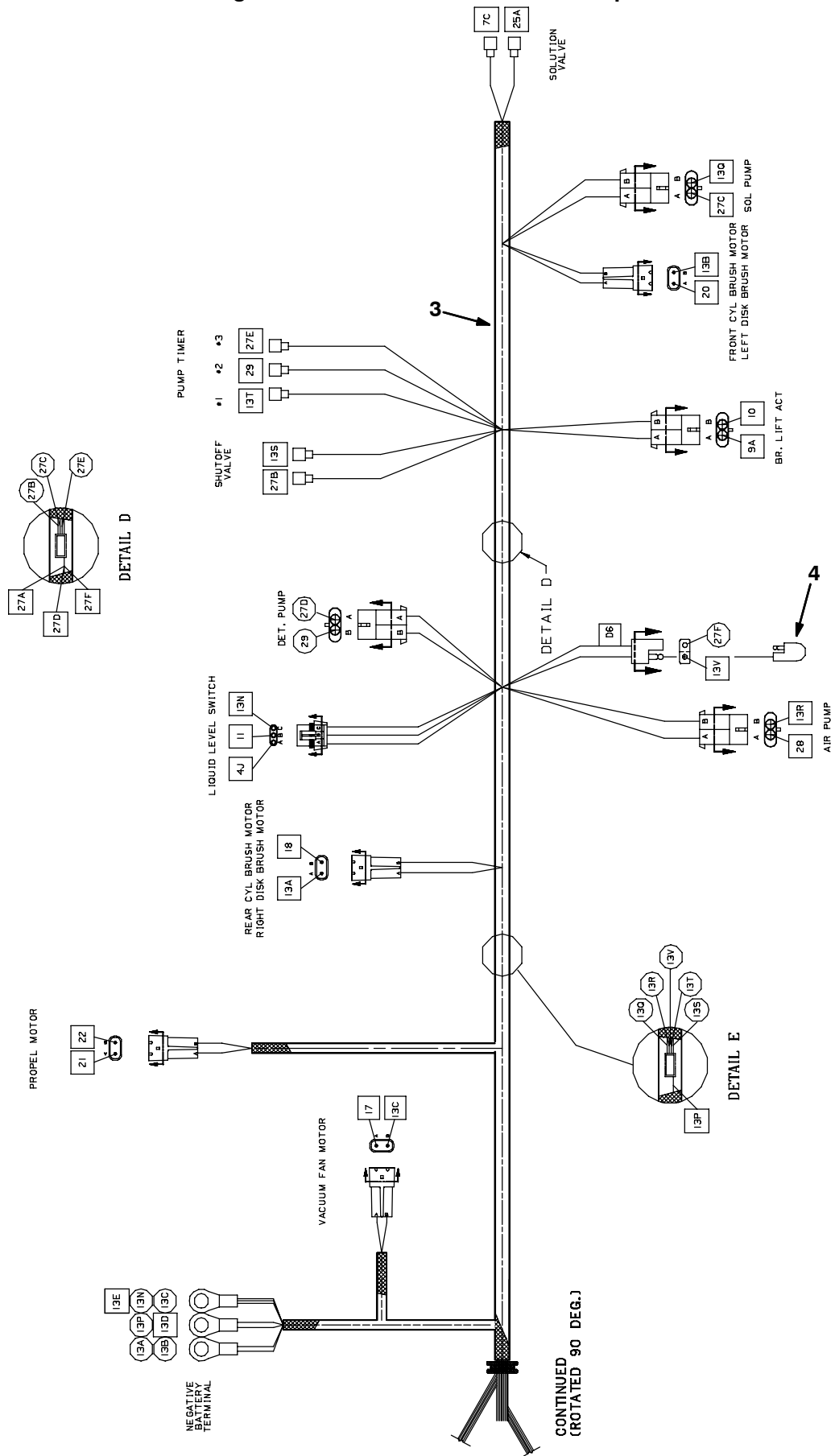


Fig. 27 - Electrical Wire Harness Group

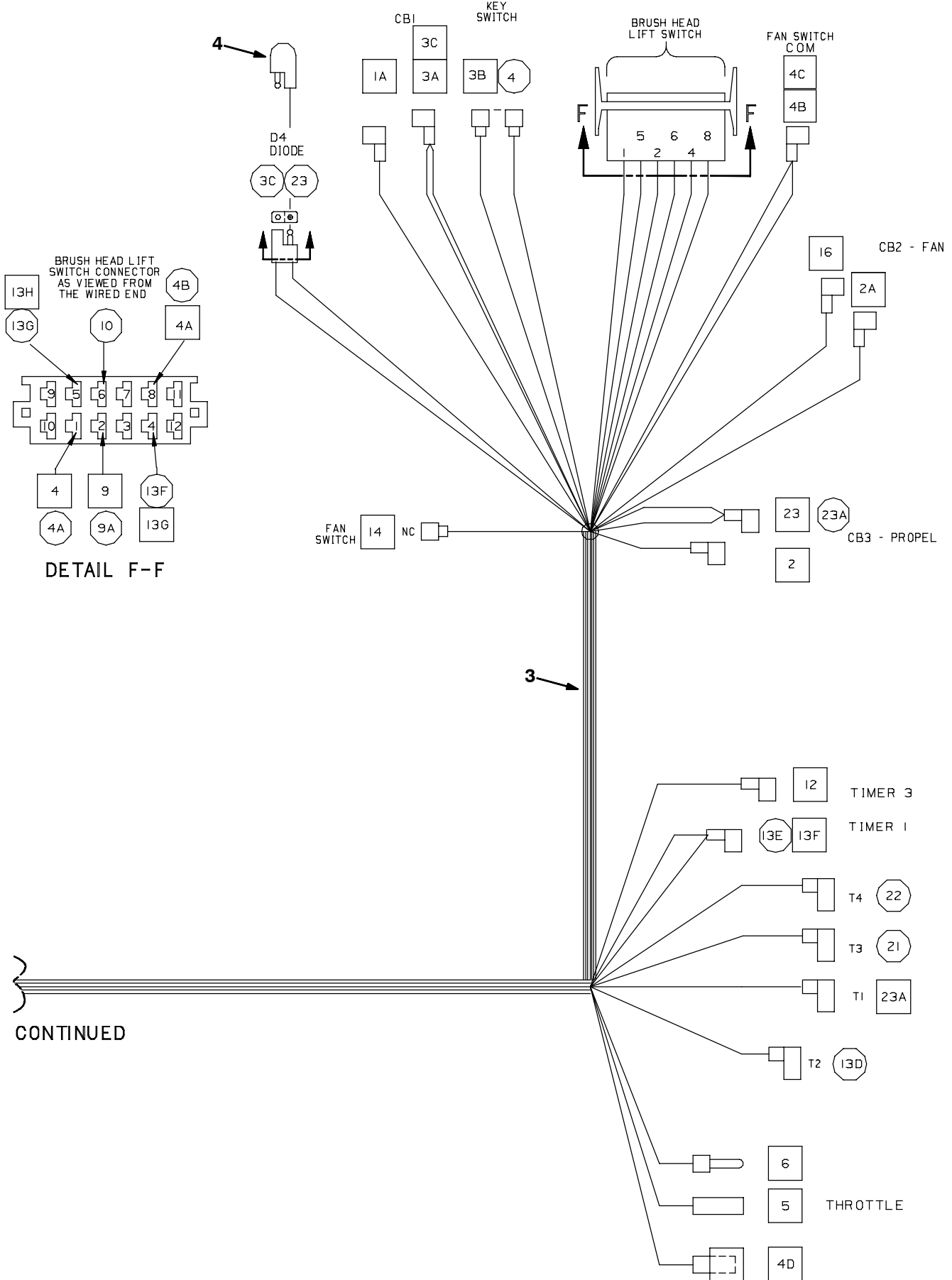
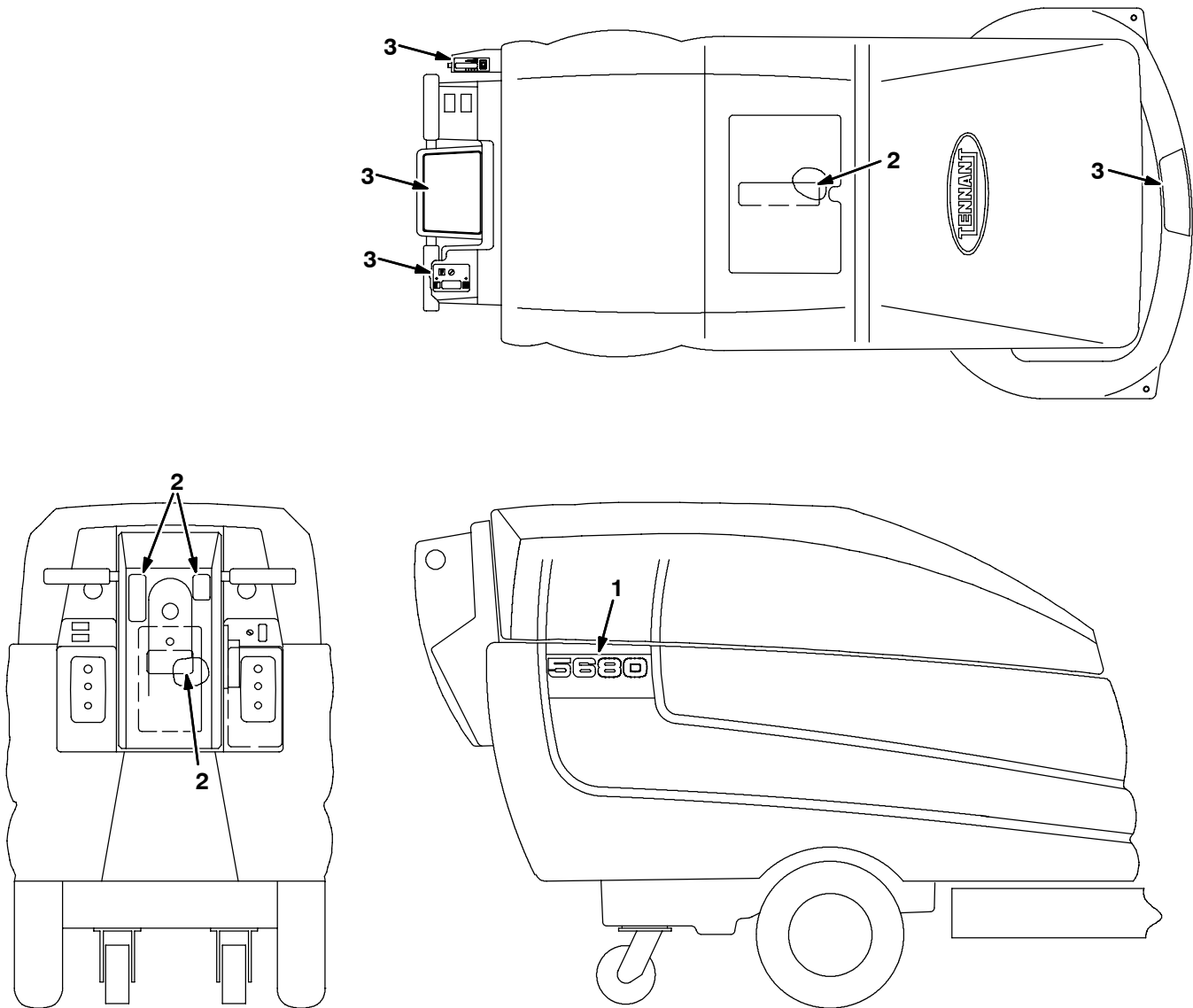


Fig. 27 - Electrical Wire Harness Group

Ref.	Part No.	Serial Number	Description	Qty.
1	397735	(000000-012929)	Harness, Main, [5680]	1
2	222290	(000000-	Diode, Elec, Plug	4
3	374221	(012930-	Harness, Main, [5680]	1
4	222290	(012930-	Diode, Elec, Plug (FaST)	2
	222666	(012930-	Clamp, Cable, Ribbon, 1.25w 0.25h Plstc	2

Fig. 28 - Label Group



353414

Ref.	Part No.	Serial Number	Description	Qty.
1	397758	(000000-) Label, Numerals, [5680]	2
2	222578	(000000-) Label Set, Info & Hzd 5700	1
3	397729	(000000-) Label Set, Orertnl, [5680]	1

SECTION 3

Contents	Page
Fig. 1 - FaST Air Pump and Detergent Group (000000-015146)	3-2
Fig. 2 - FaST Air Pump and Detergent Group (015147-016745)	3-4
Fig. 3 - FaST Air Pump and Detergent Group (016746-)	3-6
Fig. 4 - FaST Solution Supply Group, Disk Scrub Head	3-8
Fig. 5 - FaST Solution Supply Group, Model 700C / 800C Scrub Head	3-10
Fig. 6 - FaST Foam Filter Group	3-12
Fig. 7 - FaST Solution Pump Group	3-14
Fig. 8 - FaST Operator Console Group	3-16
Fig. 9 - Scrub Head Drive Group, Model 700C, 700 mm (28 in)	3-18
Fig. 10 - Scrub Head Frame Group, Model 700C, 700 mm (28 in)	3-20
Fig. 11 - Scrub Head Drive Group, Model 800C, 800 mm (32 in)	3-22
Fig. 12 - Scrub Head Frame Group, Model 800C, 800 mm (32 in)	3-24
Fig. 13 - Scrub Head Drive Group, Model 900C, 900 mm (36 in)	3-26
Fig. 14 - Scrub Head Frame Group, Model 900C, 900 mm (36 in)	3-28
Fig. 15 - Battery Kit, Heavy Duty Wet, 335AH ..	3-30
Fig. 16 - Battery Charger Group	3-31
Fig. 17 - Transport Group	3-32
Fig. 18 - Documentation Group	3-33

Fig. 1 - FaST Air Pump and Detergent Group (000000-015146)

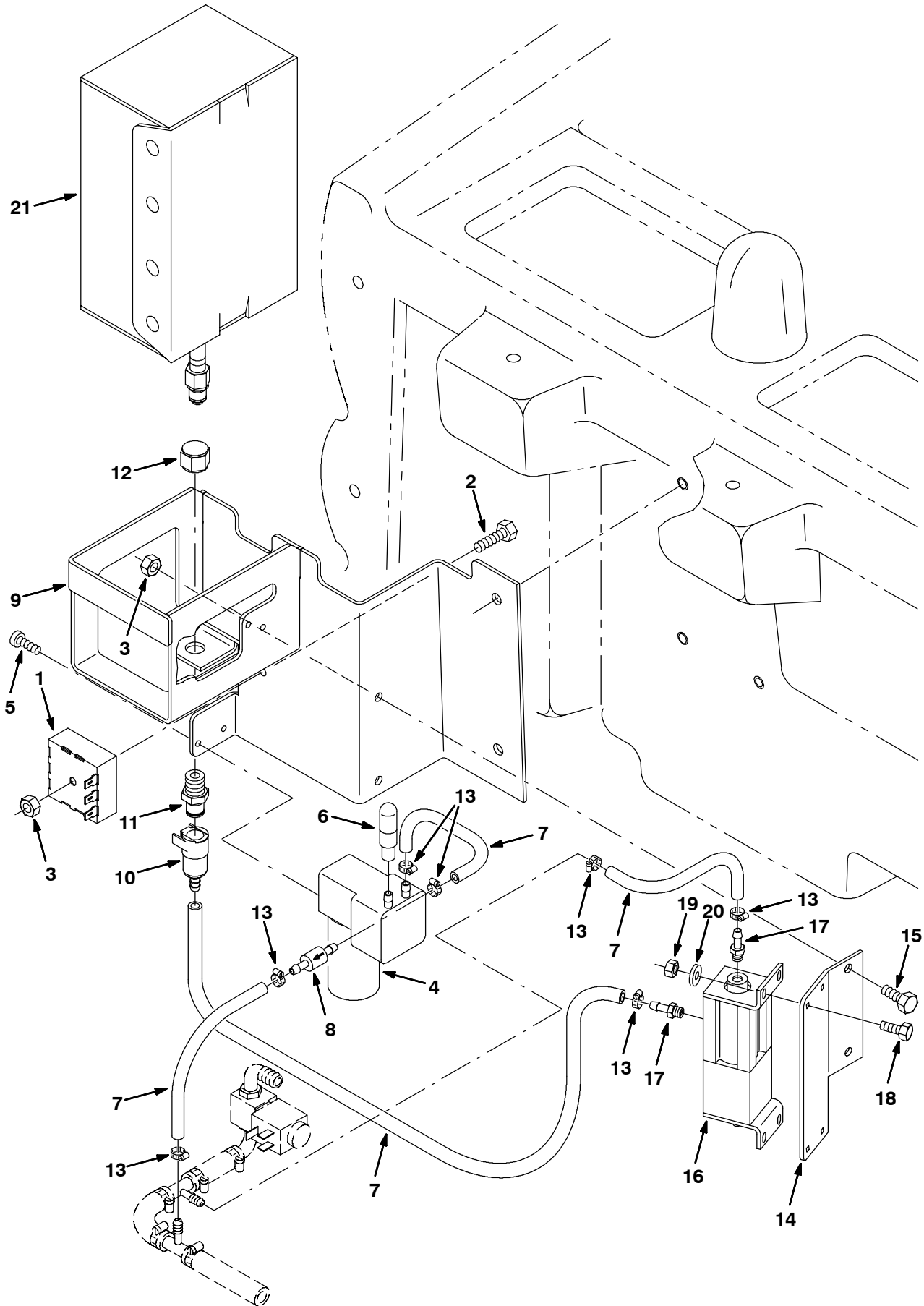


Fig. 1 - FaST Air Pump and Detergent Group (000000-015146)

Ref.	Part No.	Serial Number	Description	Qty.	
1	1028487	(000000-015146)	Timer, 36vdc, Detgt [.35on/1.38off]	1	
2	06945	(000000-015146)	Screw, Hex, M06 X 1.0 X 30, 8.8	1	
3	08708	(000000-015146)	Nut, Hex, Lock, M06 X 1.0, NI	3	
▽	4	1002344	(000000-015146)	Pump, Air, Ele, 24vdc	1
▲	391449	(000000-015146)	Kit, Repair, Diaphragm, Air Compressor	1	
5	49162	(000000-015146)	Screw, Pan, #08-10 X 0.50, F/Plstc	2	
6	1005255	(000000-015146)	Filter Assy, Air, Molded Ure	1	
7	1006420	(000000-015146)	Hose, Afmkt Replmt, Clr, 0.19id 3Ft	1	
8	1005327	(000000-015146)	Fitting, Plstc, Cvalve, Bm03/Bm03	1	
9	1002750	(000000-015146)	Brkt Wldt, Box, Dtrgt	1	
10	1002898	(000000-015146)	Coupling, Fem, W/ Valve, .25 Brb	1	
11	1002899	(000000-015146)	Coupling, Mal, .25 Npt	1	
12	1005435	(000000-015146)	Fitting, Plstc, Piep, Cap, Pf04	1	
13	43844	(000000-015146)	Clamp, Hose, Wormdrive, 0.25-0.62d	7	
14	1006132	(000000-015146)	Plate, Mtg, Pump	1	
15	08716	(000000-015146)	Screw, Hex, M06 X 1.0 X 20, Ss	2	
16	9000548	(000000-015146)	Pump Kit, Detgt, Replmt, [5680/5700]	1	
17	1005739	(000000-015146)	Fitting, Plstc, Str, Bm03, 1/4-28, Kynar	2	
18	09206	(000000-015146)	Screw, Hex, M04 X 0.7 X 12, 8.8	4	
19	42368	(000000-015146)	Nut, Hex, Std, M04 X 0.7	4	
20	19065	(000000-015146)	Washer, Flat, #08	4	
21	1017015	(000000-015146)	Detergent Pkg, 2 Liter, Sgl, 365	-	

Fig. 2 - FaST Air Pump and Detergent Group (015147-016745)

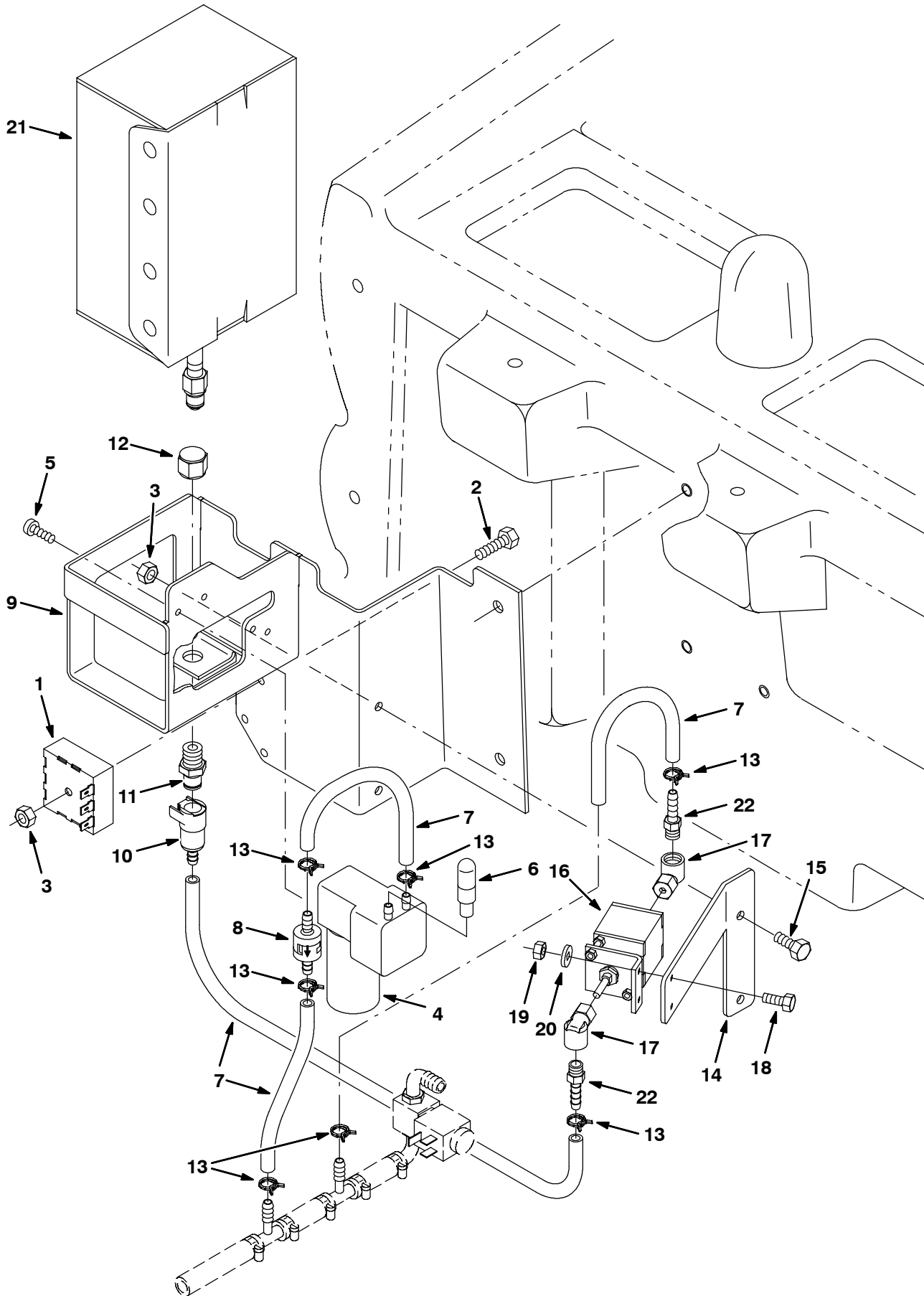


Fig. 2 - FaST Air Pump and Detergent Group (015147-016745)

Ref.	Part No.	Serial Number	Description	Qty.	
1	1028487	(015147-016745)	Timer, 36vdc, Detgt [.35on/1.38off]	1	
2	06945	(015147-016745)	Screw, Hex, M06 X 1.0 X 30, 8.8	1	
3	08708	(015147-016745)	Nut, Hex, Lock, M06 X 1.0, NI	3	
▽	4	1008211	(015147-016745)	Pump, Air, Ele, 24vdc	1
▲	391449	(015147-016745)	Kit, Repair, Diaphragm, Air Compressor	1	
5	49162	(015147-016745)	Screw, Pan, #08-10 X 0.50, F/Plstc	2	
6	1005255	(015147-016745)	Filter Assy, Air, Molded Ure	1	
7	1014985	(015147-016745)	Hose, Afmkt, Pvc, Clr 0.25id 8ft	1	
8	1013902	(015147-016745)	Valve, Check, 2 Gpm 2 Psi Bm04/Bm04	1	
9	1008349	(015147-016745)	Brkt Wldt, Box, Dtrgt	1	
10	1002898	(015147-016745)	Coupling, Fem, W/ Valve, .25 Brb	1	
11	1002899	(015147-016745)	Coupling, Mal, .25 Npt	1	
12	1005435	(015147-016745)	Fitting, Plstc, Piep, Cap, Pf04	1	
13	613735	(015147-016745)	Clamp, Hose, Wire, .40 - .42	7	
14	1015042	(015147-016745)	Plate, Mtg, Detgt Pump	1	
15	08716	(015147-016745)	Screw, Hex, M06 X 1.0 X 20, Ss	2	
16	1014553	(015147-016745)	Pump, Detgt, [560s]	1	
17	1014082	(015147-016745)	Fitting, Brs, E90, Cf03/Pf02	2	
18	09206	(015147-016745)	Screw, Hex, M04 X 0.7 X 12, 8.8	4	
19	02850	(015147-016745)	Nut, Hex, Lock, M4 X 0.7, NI	2	
20	19065	(015147-016745)	Washer, Flat, #08	4	
21	1017015	(015147-016745)	Detergent Pkg, 2 Liter, Sgl, 365	-	
22	150525	(015147-016745)	Fitting, Brs, Str, Pm02/Bm04	2	

Fig. 3 - FaST Air Pump and Detergent Group (016746-)

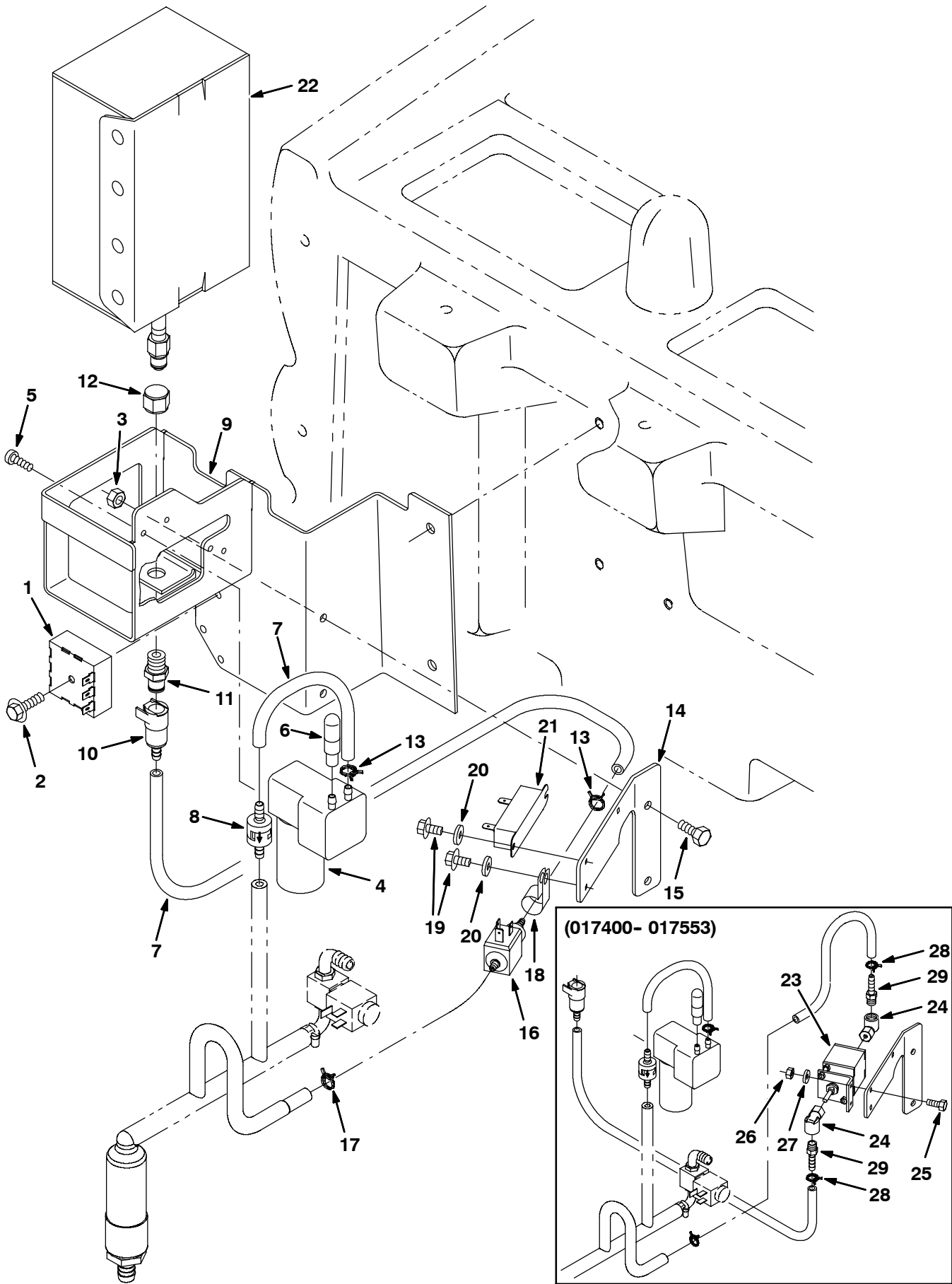


Fig. 3 - FaST Air Pump and Detergent Group (016746-)

Ref.	Part No.	Serial Number	Description	Qty.
	1	1028487	(016746-) Timer, 36vdc, Detgt [.35on/1.38off]	1
	2	222159	(016746-) Screw, Hex, M6 X 1.0 X 25, Fmg	1
	3	08708	(016746-) Nut, Hex, Lock, M06 X 1.0, NI	2
▽	4	1008211	(016746-) Pump, Air, Ele, 36vdc	1
▲		391449	(016746-) Kit, Repair, Diaphragm, Air Compressor	1
	5	49162	(016746-) Screw, Pan, #08-10 X 0.50, F/Plstc	2
	6	1005255	(016746-) Filter Assy, Air, Molded Ure	1
	7	1014985	(016746-) Hose, Afmkt, Pvc, Clr 0.25id 8ft	1
	8	1013902	(016746-) Valve, Check, 2 Gpm 2 Psi Bm04/Bm04	1
	9	1008349	(016746-) Brkt Wldt, Box, Dtrgt	1
	10	1002898	(016746-) Coupling, Fem, W/ Valve, .25 Brb	1
	11	1002899	(016746-) Coupling, Mal, .25 Npt	1
	12	1005435	(016746-) Fitting, Plstc, Piep, Cap, Pf04	1
	13	613735	(016746-) Clamp, Hose, Wire, .40 - .42	2
	14	1015042	(016746-) Plate, Mtg, Detgt Pump	1
	15	08716	(016746-) Screw, Hex, M06 X 1.0 X 20, Ss	2
	16	1005413	(016746-) Pump, Detgt, [560s]	1
	17	1031375	(016746-) Clamp, Hose, Wir, .29 - .31 [Dbl Wire]	1
	18	67767	(016746-) Clamp, Cable, Stl, 0.69d X 0.62w, 1h	1
	19	16944	(016746-) Screw, Hex, M4 X 0.7 X 10, Fmg	3
	20	19065	(016746-) Washer, Flat, #08	3
	21	1020542	(016746-) Resistor, 011.00ohm, 40watt	1
	22	1017015	(016746-) Detergent Pkg, 2 Liter, Sgl, 365	-
	22	1017022	(016746-) Detergent Pkg, 2 Liter, Sgl, 665	-
	22	9002021	(016746-) Detergent, 2 Liter [Fast 965]	-
	23	1014553	(017400-017553) Pump, Detgt, [560s]	1
	24	1014082	(017400-017553) Fitting, Brs, E90, Cf03/Pf02	2
	25	09206	(017400-017553) Screw, Hex, M04 X 0.7 X 12, 8.8	2
	26	02850	(017400-017553) Nut, Hex, Lock, M4 X 0.7, NI	2
	27	19065	(017400-017553) Washer, Flat, #08	2
	28	613735	(017400-017553) Clamp, Hose, Wire, .40 - .42	2
	29	150525	(017400-017553) Fitting, Brs, Str, Pm02/Bm04	2

Fig. 4 - FaST Solution Supply Group, Disk Scrub Head

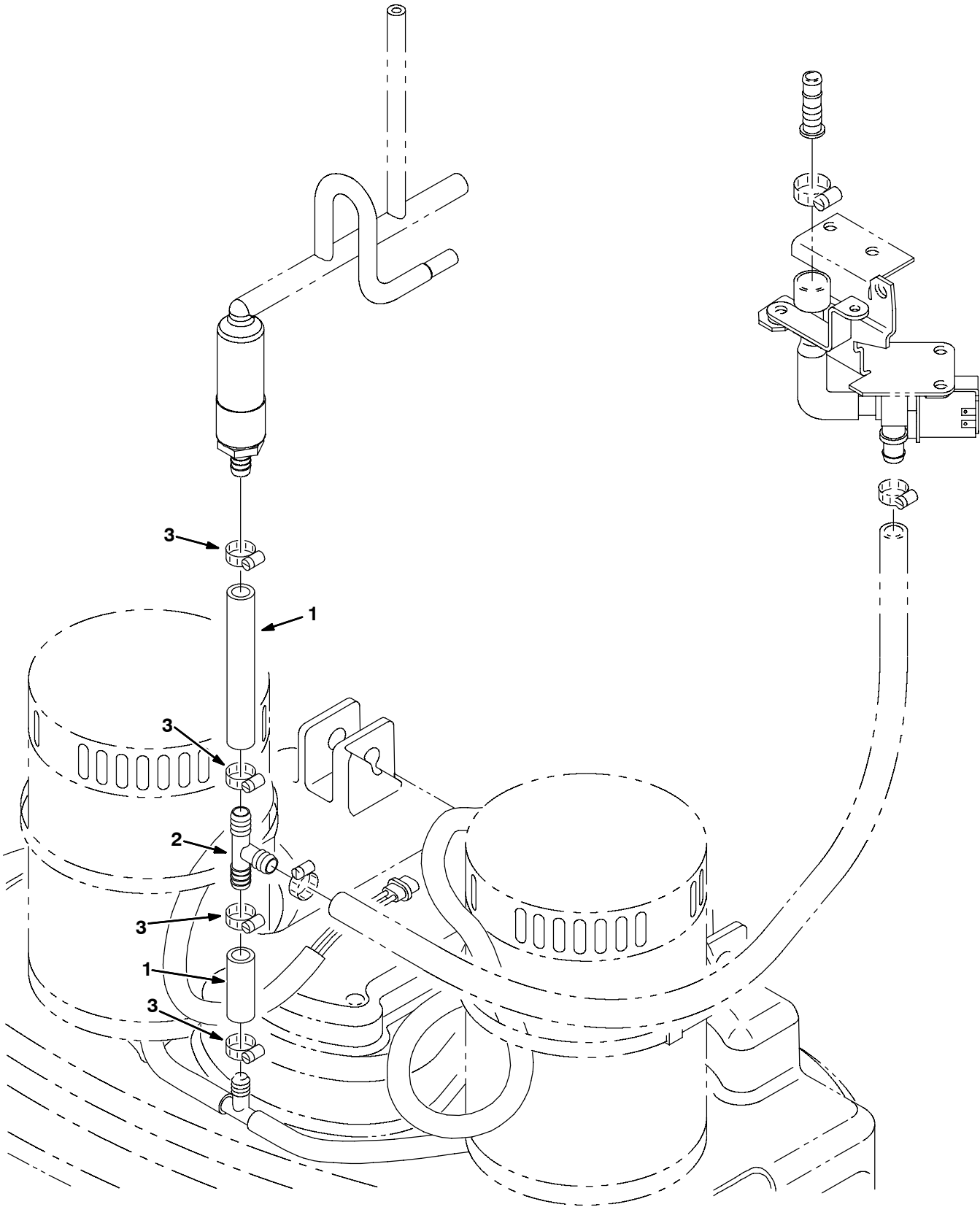


Fig. 4 - FaST Solution Supply Group, Disk Scrub Head

Ref.	Part No.	Serial Number	Description	Qty.
1	1006401	(000000-) Hose, Afmkt, Replmt, Brd, 0.50ld 3Ft	1
2	63245-1	(000000-) Fitting, Plstc, Tee, Bm08/Bm08/Bm08	1
3	54333	(000000-) Clamp, Hose, Wormdrive, 0.31-0.88D	4

Fig. 5 - FaST Solution Supply Group, Model 700C / 800C Scrub Head

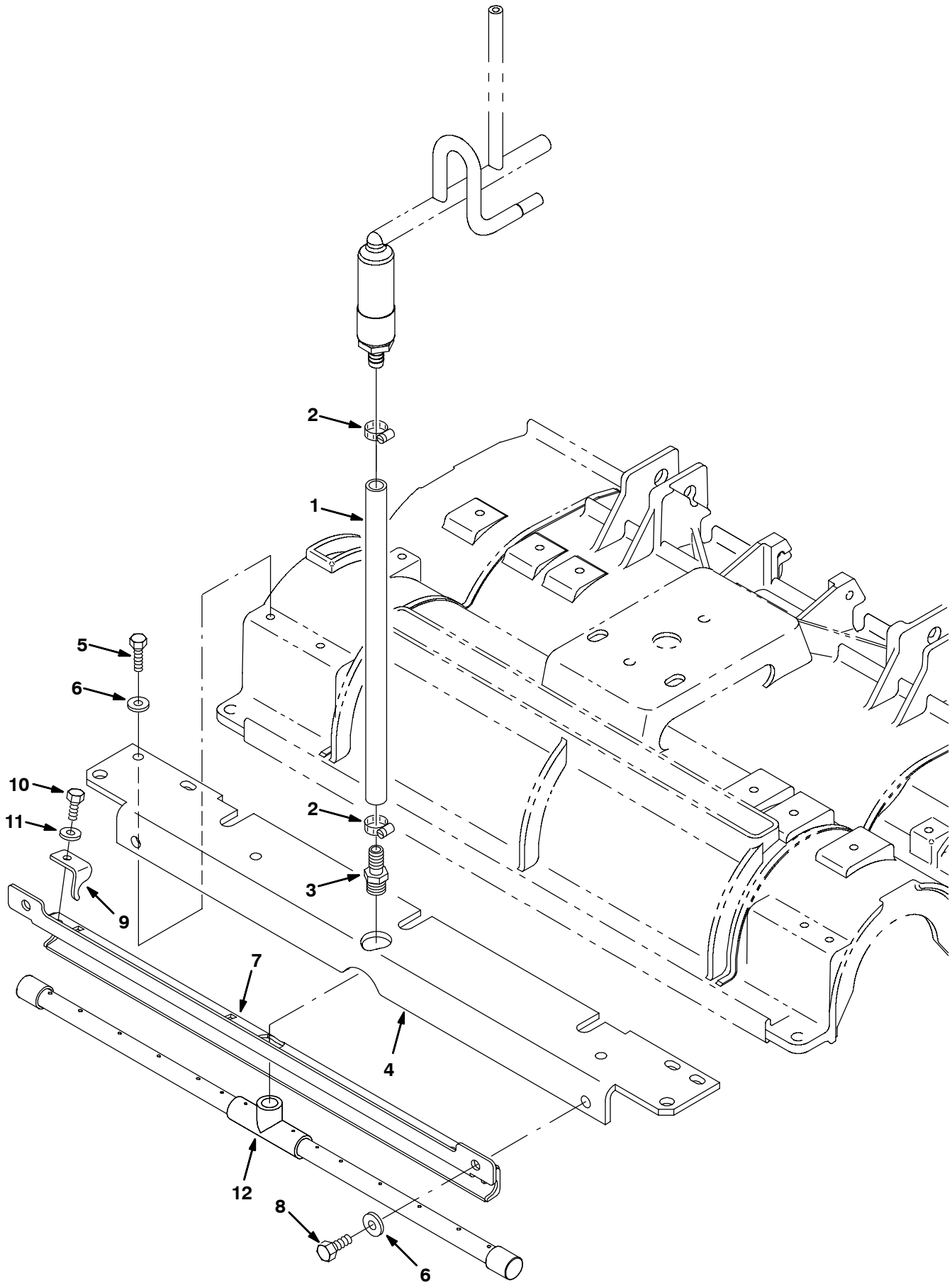


Fig. 5 - FaST Solution Supply Group, Model 700C / 800C Scrub Head

Ref.	Part No.	Serial Number	Description	Qty.
1	1006401	(000000-) Hose, Afmkt, Replmt, Brd, 0.50ld 3Ft	1
2	54333	(000000-) Clamp, Hose, Wormdrive, 0.31-0.88d, .31w	2
3	64743	(000000-) Fitting, Plstc, Str, Bm08/Pm06	1
4	1019314	(000000-) Angle, Head, Cyl, 700mm	1
4	1019440	(000000-) Angle, Head, Cyl, 800mm	1
5	76099	(000000-) Screw, Hex, M8 X 1.25 X 25, Fmg	4
6	01685	(000000-) Washer, Flat, 0.31 Ss	6
7	1014993	(000000-) Bracket Wldt, Bar, Spray, 700mm	1
7	1014957	(000000-) Bracket Wldt, Bar, Spray, 800mm	1
8	12273	(000000-) Screw, Hex, M8 X 1.25 X 20, Ss, NI	2
9	1014673	(000000-) Bracket, Bar, Spray	3
10	11635	(000000-) Screw, Hex, M6 X 1.0 X 12, Ss, NI	3
11	01684	(000000-) Washer, Flat, 0.25 Ss	3
12	1014791	(000000-) Tube Assy, Bar, Spray 700mm	1
12	1013079	(000000-) Tube Assy, Spray, Cyl, 800mm	1

Fig. 6 - FaST Foam Filter Group

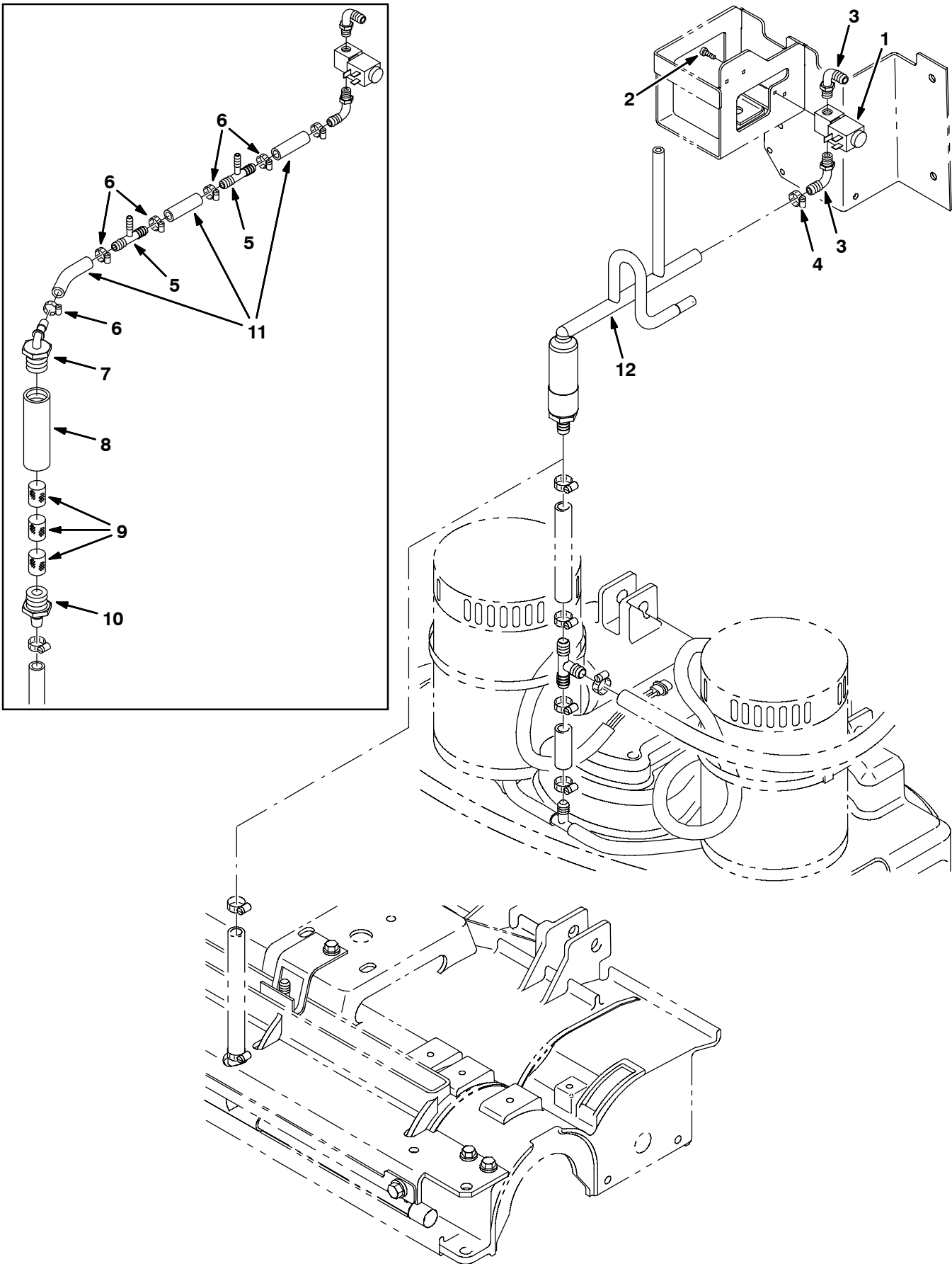


Fig. 6 - FaST Foam Filter Group

Ref.	Part No.	Serial Number	Description	Qty.
1	1028578	(000000-) Valve, Water, Solenoid, 36vdc Pf02	1
2	49162	(000000-) Screw, Pan, #08-10 X 0.50, F/Plstc	2
3	1005564	(000000-) Fitting, Plstc, E90, Bm06/Pm02, Nyl	2
4	43844	(000000-) Clamp, Hose, Wormdrive, 0.25-0.62D, .31W	1
5	61456	(000000-015146) Fitting, Plstc, Tee, Bm06/Bm03/Bm06	2
5	50895	(015147-016745) Fitting, Plstc, Tee, Bm06/Bm04/Bm06	2
6	43844	(000000-016745) Clamp, Hose, Wormdrive, 0.25-0.62d	5
7	79484	(000000-016745) Fitting, Plstc, E90, Bm06/Pm12, Nyl	1
8	1005086	(000000-016745) Tube, Plastic, 25mm Id	1
9	1002789	(000000-016745) Filter, Foam	3
10	79273-1	(000000-016745) Fitting, Plstc, Str, Bm08/Pm12	1
11	1006400	(000000-016745) Hose, Afmkt Replmt, Brd, 0.38id 3Ft	1
12	1020364	(0016746-) Manifold	1

Fig. 7 - FaST Solution Pump Group

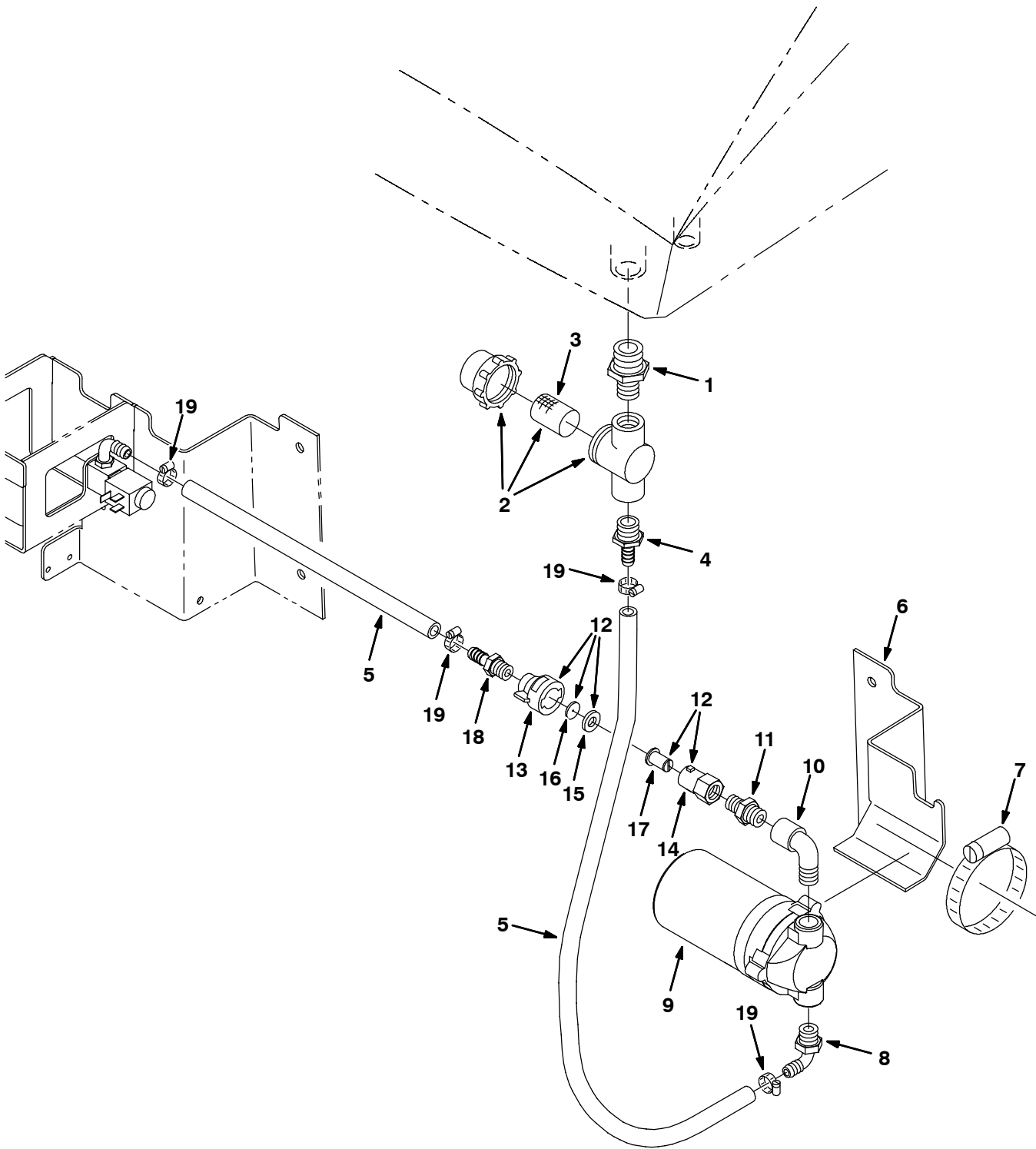


Fig. 7 - FaST Solution Pump Group

Ref.	Part No.	Serial Number	Description	Qty.
	1	1005218	(000000-) Fitting, Plstc, Str, Pm08/Pm12	1
▽	2	1005388	(000000-) Filter, Inline, Pf08/Pf08, 80 Mesh	1
▲	3	1005304	(000000-) Screen, Filter, 80 Mesh	1
	4	79273	(000000-) Fitting, Plstc, Str, Bm06/Pm08	1
	5	1006400	(000000-) Hose, Afmkt Replmt, Brd, 0.38id 3Ft	1
	6	1002603	(000000-) Brkt, Pump, Solution	1
	7	43555	(000000-) Clamp, Hose, Wormdrive, 1.62-3.50d	1
	8	1005630	(000000-) Fitting, Plstc, E90, Bm06/Pm06, Nyl	1
▽	9	1005866	(000000-) Pump, Solution, Ele, 36vdc	1
▲		391433	(000000-) Head, Pump, Kit	1
	10	1005318	(000000-) Fitting, Plstc, E90, Pf06/Pm06, Nyl	1
	11	1005219	(000000-) Fitting, Plstc, Str, Pm04/Pm06	1
▽	12	1005522	(000000-) Fitting, Plstc, Cap Assy, 0.040b, Pf04	1
▲	13	1005506	(000000-) Fitting, Plstc, Cap, Spray, Pf04	1
▲	14	1005507	(000000-) Fitting, Plstc, Body, Spray, Pf04	1
▲	15	1005508	(000000-) Washer, 0.34b 0.75d 0.12, Epdm	1
▲	16	1005510	(000000-) Plate, Orifice, 0.040id	1
▲	17	1006447	(000000-) Screen, 50 Mesh, Ss	1
	18	49186	(000000-) Fitting, Plstc, Str, Bm06/Pm04	1
	19	43844	(000000-) Clamp, Hose, Wormdrive, 0.25-0.62d	4

Fig. 8 - FaST Operator Console Group

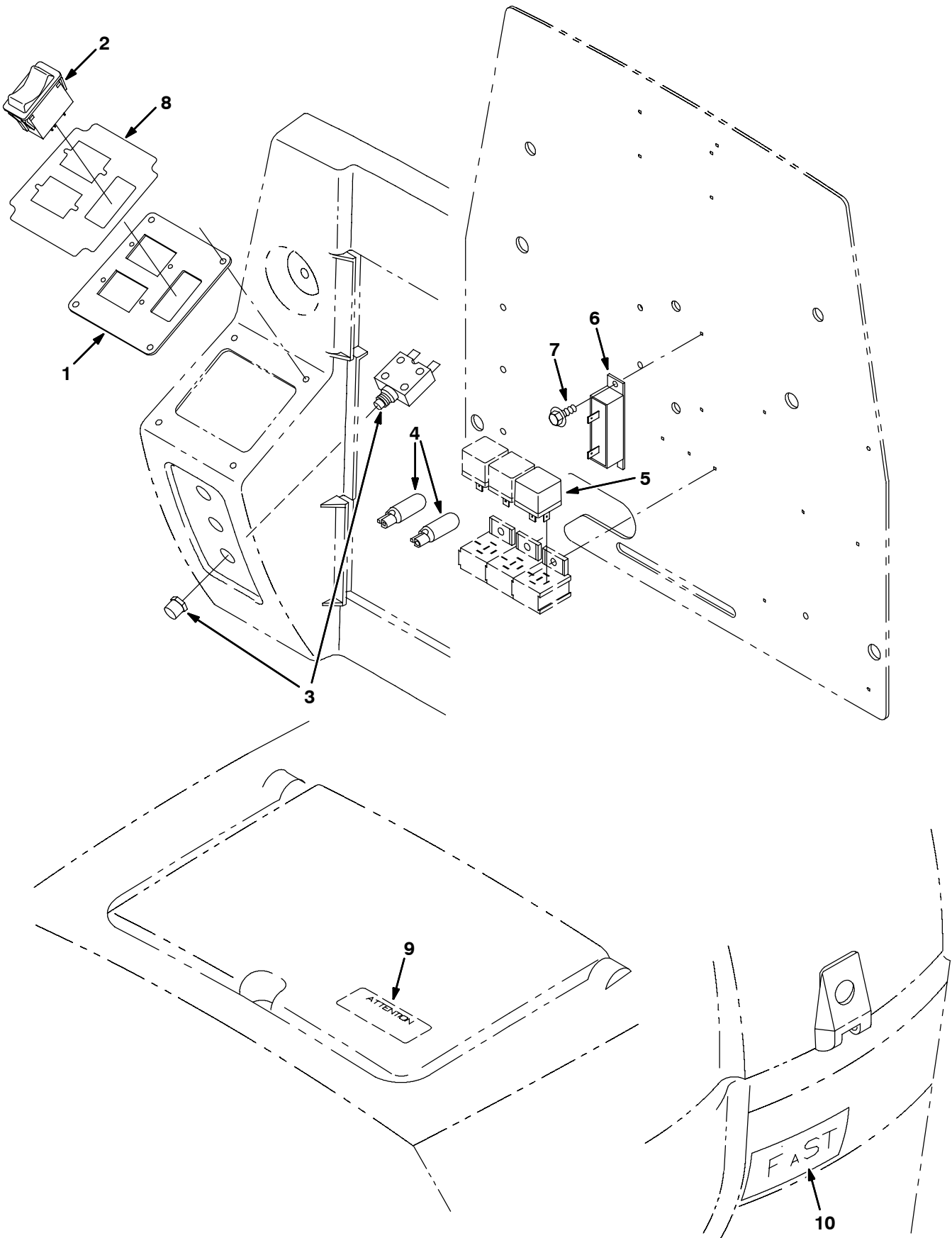


Fig. 8 - FaST Operator Console Group

Ref.	Part No.	Serial Number	Description	Qty.
1	1002326	(000000-) Plate, Ele, Cover	1
2	397889	(000000-) Switch, Rocker, 36vdc 05a Dpst On/N/On	1
3	383721	(000000-) Circuitbreaker, 10.0a	1
4	222290	(000000-) Diode, Ele, Plug	2
5	398526	(000000-) Relay, 36vdc, 05a, Spdt N/O	1
6	71539	(000000-) Resistor, 022.00ohm, 40watt	1
7	16944	(000000-) Screw, Hex, M04 X 0.7 X 10, Fmg	2
▽	1005425	(000000-) Label Set, Fast [5680]	1
▲	8 1005335	(000000-) Label, Switch, Fast [5680]	1
9	391451	(000000-) Label, Attention, Fast	1
10	1005416	(000000-) Label, Fast [5680]	2

OPTIONS

Fig. 9 - Scrub Head Drive Group, Model 700C, 700 mm (28 in)

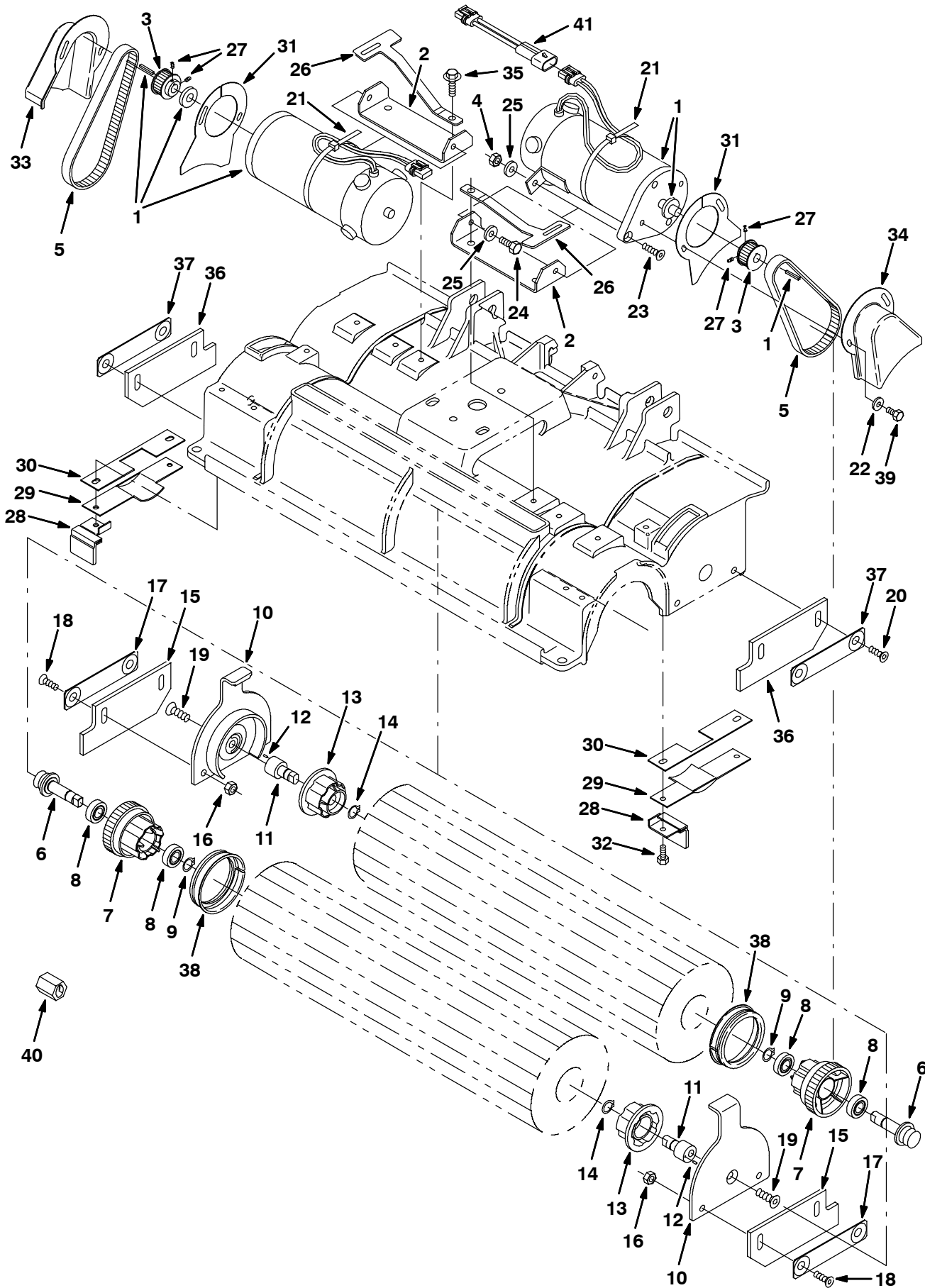


Fig. 9 - Scrub Head Drive Group, Model 700C, 700 mm (28 in)

NOTE: Scrub Head Kit, Tennant Part Number 9002722, includes Fig. 9, and Fig. 10.

Ref.	Part No.	Serial Number	Description	Qty.
1	375175AM	(000000-) Motor Assy, Ele, 36V, 0.75Hp, 1700Rpm (See Breakdowns)	2
2	223564	(000000-) Bracket, Mounting, Motor	2
3	375195	(000000-) Sprocket, Drive	2
4	08713	(000000-) Nut-Hxlocnyln M 8X1.25 Reg Ss	4
5	377505	(000000-) Belt, Replmt, Brush Drive, F/222201	2
▽	222751	(000000-) Plug Drive Assy	2
▲	6 222176	(000000-) Shaft, Drive Plug	1
▲	7 377333	(000000-) Plug, Drive, Brush, [48 Tooth - Gt/2]	1
▲	8 41360AM	(000000-) Bearing, Ball, 0.59b 1.26d 0.35w	2
▲	9 01516	(000000-) Ring,Retain,Ex,0.59Od,Basic	1
▽	374082	(000000-) Door Assy, Brush	2
▲	10 369460	(000000-) Door, Brush	1
▲▽	222752	(000000-) Plug Idler Assy	1
▲▲	11 222177	(000000-) Shaft, Idler Plug	1
▲▲	12 222184	(000000-) Pin, Roll	1
▲▲	13 379202	(000000-) Plug, Brush	1
▲▲	14 01516	(000000-) Ring,Retain,Ex,0.59Od,Basic	1
▲	15 222180	(000000-) Skirt, Scrub Head	1
▲	16 08713	(000000-) Nut-Hxlocnylon M 8X1.25 Reg Ss	2
▲	17 222182	(000000-) Bar, Support	1
▲	18 74077	(000000-) Scr-Flt M8 X 1.25 25 Ss	2
▲	19 390996	(000000-) Scr-Flt M10 X 1.5 20, Ss NI	1
	20 07810	(000000-) Scr Flt M8 x 1.25 25	4
	21 44961	(000000-) Tie, Cable 4.00D Max 14.50 Lg	2
	22 01684	(000000-) Washer Flt .25 Ss	4
	23 74077	(000000-) Screw, Flat,M 8X1.25 Ss	2
	24 09740	(000000-) Scr Hexssm 8X1.25	2
	25 01685	(000000-) Washer, Flat, 0.38b 0.88d .08, Ss	6
	26 222209	(000000-) Spring, Door	2
	27 222818	(000000-) Scr-Set 8-32 X .25 Nylon Loc	4
	28 223568	(000000-) Skirt, Deflector	2
	29 223566	(000000-) Bracket, Shield	2
	30 223569	(000000-) Gasket, Shield	2
	31 223563	(000000-) Shield, Belt	2
	32 15678	(000000-) Screw, Hex, M06 X 1.0 X 16, Ss	4
	33 223560	(000000-) Guard, Belt, Rh	1
	34 223561	(000000-) Guard, Belt, Lh	1
	35 76099	(000000-) Scr-Hxfmg M8 X 1.25 25	4
	36 222180	(000000-) Skirt, Scrub Head	2
	37 222182	(000000-) Bar, Support	2
	38 222820	(000000-) Seal, Ring	2
	39 06942	(000000-) Screw, Hex, M06-1.0 X 16	4
	40 1010506	(000000-) Tool, Removal, Shaft, F/ 222176	1
	41 1025065	(000000-) Harness, Motor, Brush	1

Fig. 10 - Scrub Head Frame Group, Model 700C, 700 mm (28 in)

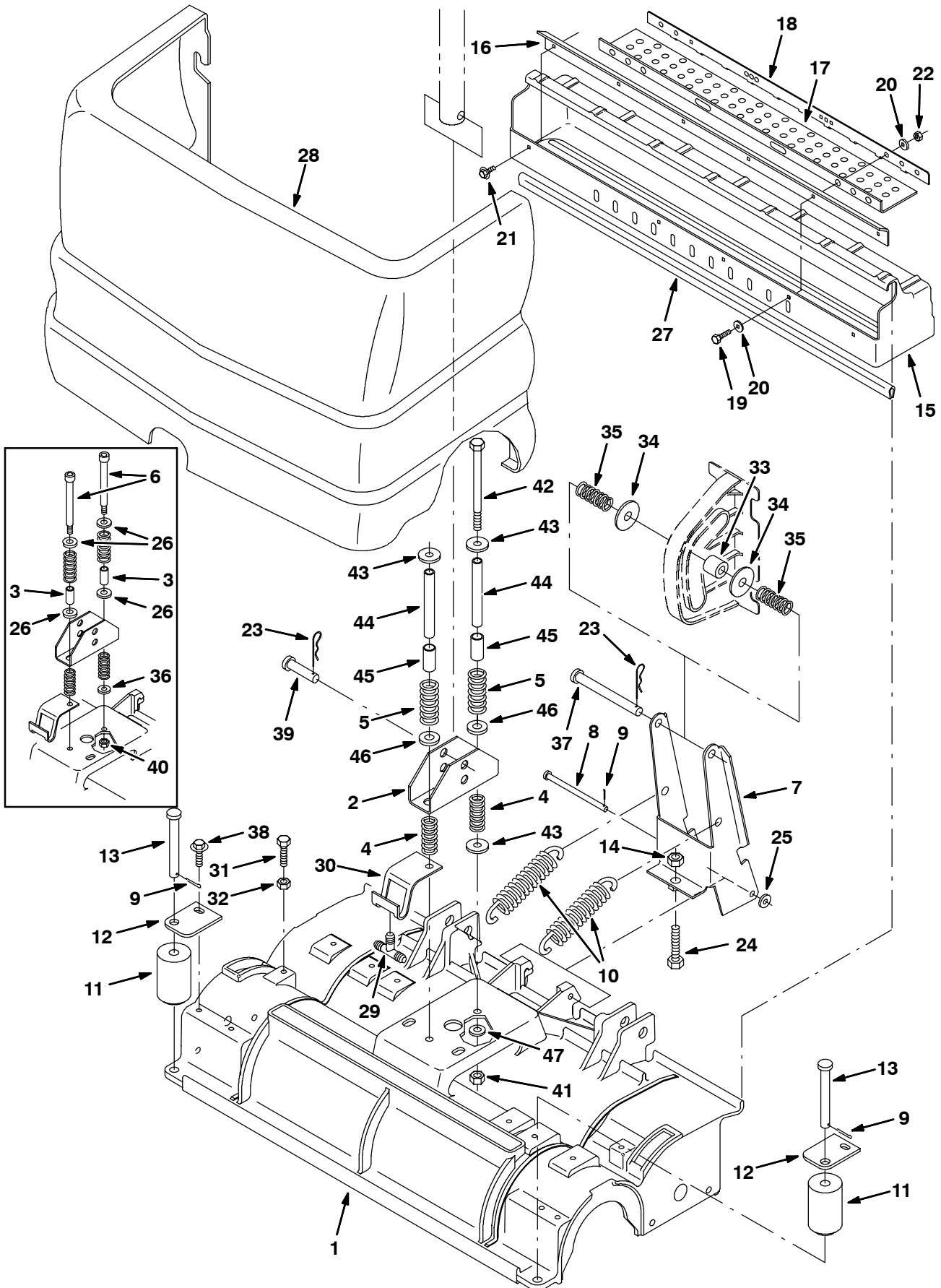


Fig. 10 - Scrub Head Frame Group, Model 700C, 700 mm (28 in)

NOTE: Scrub Head Kit, Tennant Part Number 9002722, includes Fig. 9, and Fig. 10.

Ref.	Part No.	Serial Number	Description	Qty.	
1	1022254	(000000-	Housing, Cyl, Mach, 700mm	1	
2	1012088	(000000-	Bracket, Mtg, Spring	1	
3	50682	(000000-018647	Sleeve, .500B .62D1.31 Stl	2	
4	63185	(000000-	Spring,Comp,.84Odx.10Wire 2.0L	2	
5	45261	(000000-	Sprng,Comp,0.74Idx.11Wire 2.5L	2	
6	9002024	(000000-018647	Bolt Kit, Shld, F/ 45960, Replmt	1	
7	222838	(000000-	Bracket, Pivot	1	
8	222207	(000000-	Pin, Clevis, 0.31Dia X4.5Lg	1	
9	08346	(000000-	Pin, Cotter .125X0.75	3	
10	222363	(000000-	Spring, Tension	2	
11	222178	(000000-	Roller, Bumper	2	
12	222179	(000000-	Bracket, Mounting, Roller	2	
13	222196	(000000-	Pin, Roller	2	
14	39312	(000000-	Nut, Hex, Std, M10 X 1.5	1	
▽	222824	(000000-	Debris Tray Kit, 28 in	1	
▲	15	222167	(000000-	Tray, Debris, 28	1
▲	16	222203	(000000-	Lip, Debris Tray, 28"	1
▲	17	222669	(000000-	Skirt, Debris Tray	1
▲	18	222670	(000000-	Strip, Debris Tray	1
▲	19	09007	(000000-	Scr-Hexssm6X1.0 25	4
▲	20	01684	(000000-	Washer Flt .25 Ss	8
▲	21	74455	(000000-	Scr-Hxfmg M6 X 1.0 20	2
▲	22	08708	(000000-	Nut, Hex, Lock, M6 X 1.0, NI	4
	23	02942	(000000-	Pin, Cotter, Hair, 0.62d .120 Wir	2
	24	05720	(000000-	Scr-Hexssm10X1.5 40 Full Thd	1
	25	01685	(000000-	Washer, Flat, 0.38b 0.88d .08, Ss	1
	26	32486	(000000-018647	Washer, Flat, 0.50 Sae	4
	27	374006	(000000-	Channel	1
	28	397794	(000000-	Cover, Front, Trim, [5700 Cyl]	1
	29	222536	(000000-	Fitting-Plastic Tee 06Bm/06Bm/	1
	30	222523	(000000-	Bracket, Hose Guide	1
	31	09023	(000000-	Screw, Hex, M08 X 1.25 X 35, Ss	2
	32	08713	(000000-	Nut, Hex, Lock, M08 X 1.25, NI, Ss	2
	33	374162	(000000-	Roller, Rwk	1
	34	51564	(000000-	Washer, 0.53b 1.75d .12, Stl, PI	2
	35	397255	(000000-	Spring, Cmpr, 0.85od .08wir 2.0l	2
	36	01685	(000000-018647	Washer, Flat, 0.38b 0.88d .08, Ss	1
	37	222197	(000000-	Pin, Clevis 0.50 Dia X 4.75Lg	1
	38	76099	(000000-	Screw, Hex, M8 X 1.25 X 25, Fmg	2
	39	51534	(000000-	Pin, Clevis, 0.50 D X 2.00l	1
	40	36643	(000000-018647	Nut, Hex, Lock, .38-16, NI, Thin	2
	41	59156	(018648-	Nut, Hex, Lock, .38-16, NI, Ss	2
	42	20178	(018648-	Screw, Hex, .38-16 X 5.50, 5	2
	43	32662	(018648-	Washer, Flat, 0.38b 1.22d .06, Ss	3
	44	1029426	(018648-	Tube, Rnd, 0.50d 0.40b 04.3l, Ss	2
	45	140148	(018648-	Sleeve, P/M, 0.50b 0.63d 1.4l, Stl PI	2
	46	32486	(018648-	Washer, Flat, 0.50 Sae	2
	47	01685	(018648-	Washer, Flat, 0.38b 0.88d .08, Ss	2

OPTIONS

Fig. 11 - Scrub Head Drive Group, Model 800C, 800 mm (32 in)

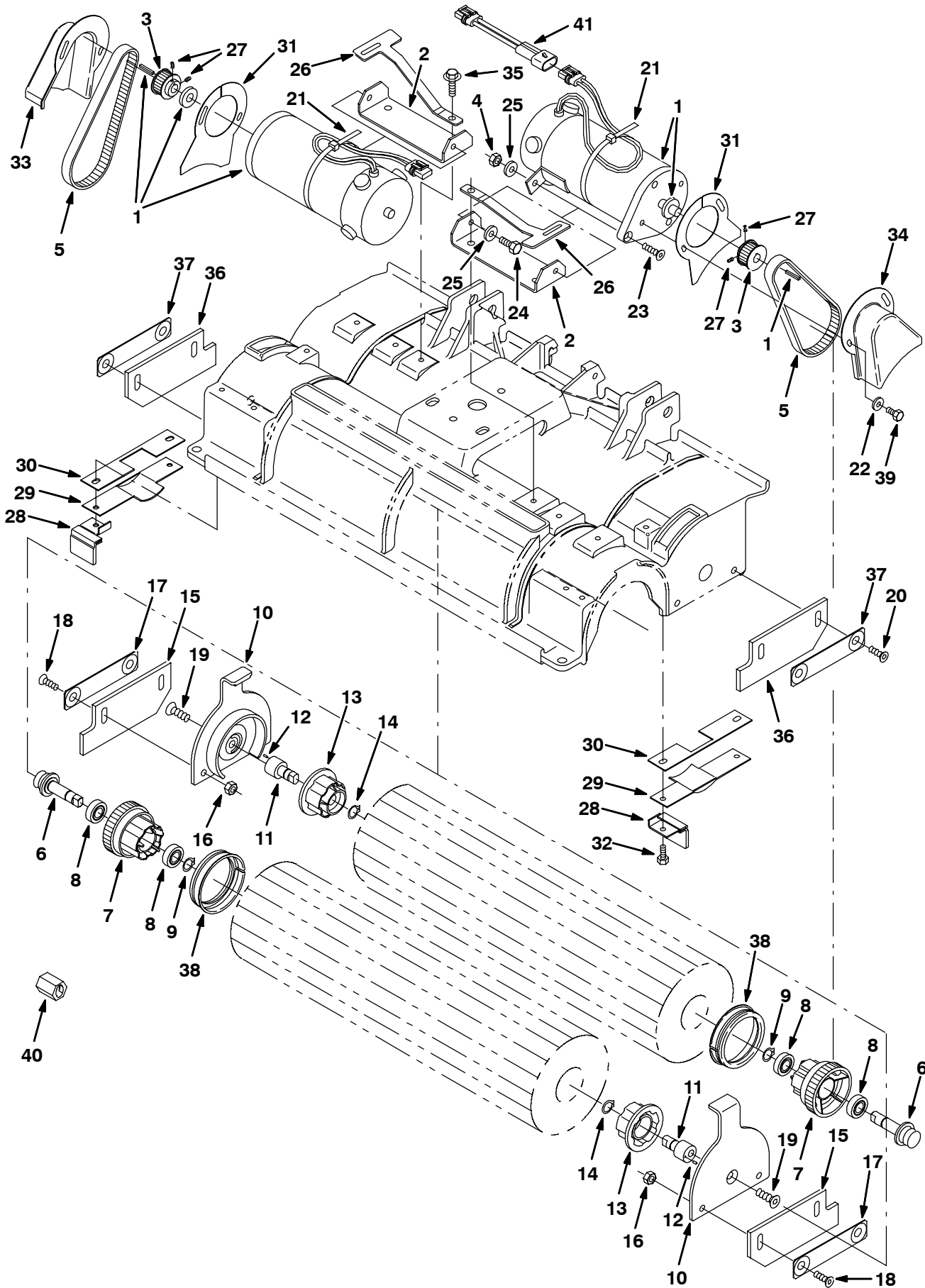


Fig. 11 - Scrub Head Drive Group, Model 800C, 800 mm (32 in)

NOTE: Scrub Head Kit, Tennant Part Number 9002723, includes Fig. 9, and Fig. 10.

Ref.	Part No.	Serial Number	Description	Qty.
1	375175AM	(000000-) Motor Assy, Ele, 36V, 0.75Hp, 1700Rpm (See Breakdowns)	2
2	223564	(000000-) Bracket, Mounting, Motor	2
3	375195	(000000-) Sprocket, Drive	2
4	08713	(000000-) Nut-Hxlocnyln M 8X1.25 Reg Ss	4
5	377505	(000000-) Belt, Replmt, Brush Drive, F/222201	2
▽	222751	(000000-) Plug Drive Assy	2
▲	6 222176	(000000-) Shaft, Drive Plug	1
▲	7 377333	(000000-) Plug, Drive, Brush, [48 Tooth - Gt/2]	1
▲	8 41360AM	(000000-) Bearing-Ball,0.59B 1.26D 0.35W	2
▲	9 01516	(000000-) Ring,Retain,Ex,0.59Od,Basic	1
▽	374082	(000000-) Door Assy, Brush	2
▲	10 369460	(000000-) Door, Brush	1
▲▽	222752	(000000-) Plug Idler Assy	1
▲▲	11 222177	(000000-) Shaft, Idler Plug	1
▲▲	12 222184	(000000-) Pin, Roll	1
▲▲	13 379202	(000000-) Plug, Brush	1
▲▲	14 01516	(000000-) Ring,Retain,Ex,0.59Od,Basic	1
▲	15 222180	(000000-) Skirt, Scrub Head	1
▲	16 08713	(000000-) Nut-Hxlocnylon M 8X1.25 Reg Ss	2
▲	17 222182	(000000-) Bar, Support	1
▲	18 74077	(000000-) Scr-Flt M8 X 1.25 25 Ss	2
▲	19 390996	(000000-) Scr-Flt M10 X 1.5 20, Ss NI	1
	20 07810	(000000-) Scr Flt M8 x 1.25 25	4
	21 44961	(000000-) Tie, Cable 4.00D Max 14.50 Lg	2
	22 01684	(000000-) Washer Flt .25 Ss	4
	23 74077	(000000-) Screw, Flat,M 8X1.25 Ss	2
	24 09740	(000000-) Scr Hexssm 8X1.25	2
	25 01685	(000000-) Washer, Flat, 0.38b 0.88d .08, Ss	6
	26 222209	(000000-) Spring, Door	2
	27 222818	(000000-) Scr-Set 8-32 X .25 Nylon Loc	4
	28 223568	(000000-) Skirt, Deflector	2
	29 223566	(000000-) Bracket, Shield	2
	30 223569	(000000-) Gasket, Shield	2
	31 223563	(000000-) Shield, Belt	2
	32 15678	(000000-) Screw, Hex, M06 X 1.0 X 16, Ss	4
	33 223560	(000000-) Guard, Belt, Rh	1
	34 223561	(000000-) Guard, Belt, Lh	1
	35 76099	(000000-) Scr-Hxfmg M8 X 1.25 25	4
	36 222180	(000000-) Skirt, Scrub Head	2
	37 222182	(000000-) Bar, Support	2
	38 222820	(000000-) Seal, Ring	2
	39 06942	(000000-) Screw, Hex, M06-1.0 X 16	4
	40 1010506	(000000-) Tool, Removal, Shaft, F/ 222176	1
	41 1025065	(000000-) Harness, Motor, Brush	1

Fig. 12 - Scrub Head Frame Group, Model 800C, 800 mm (32 in)

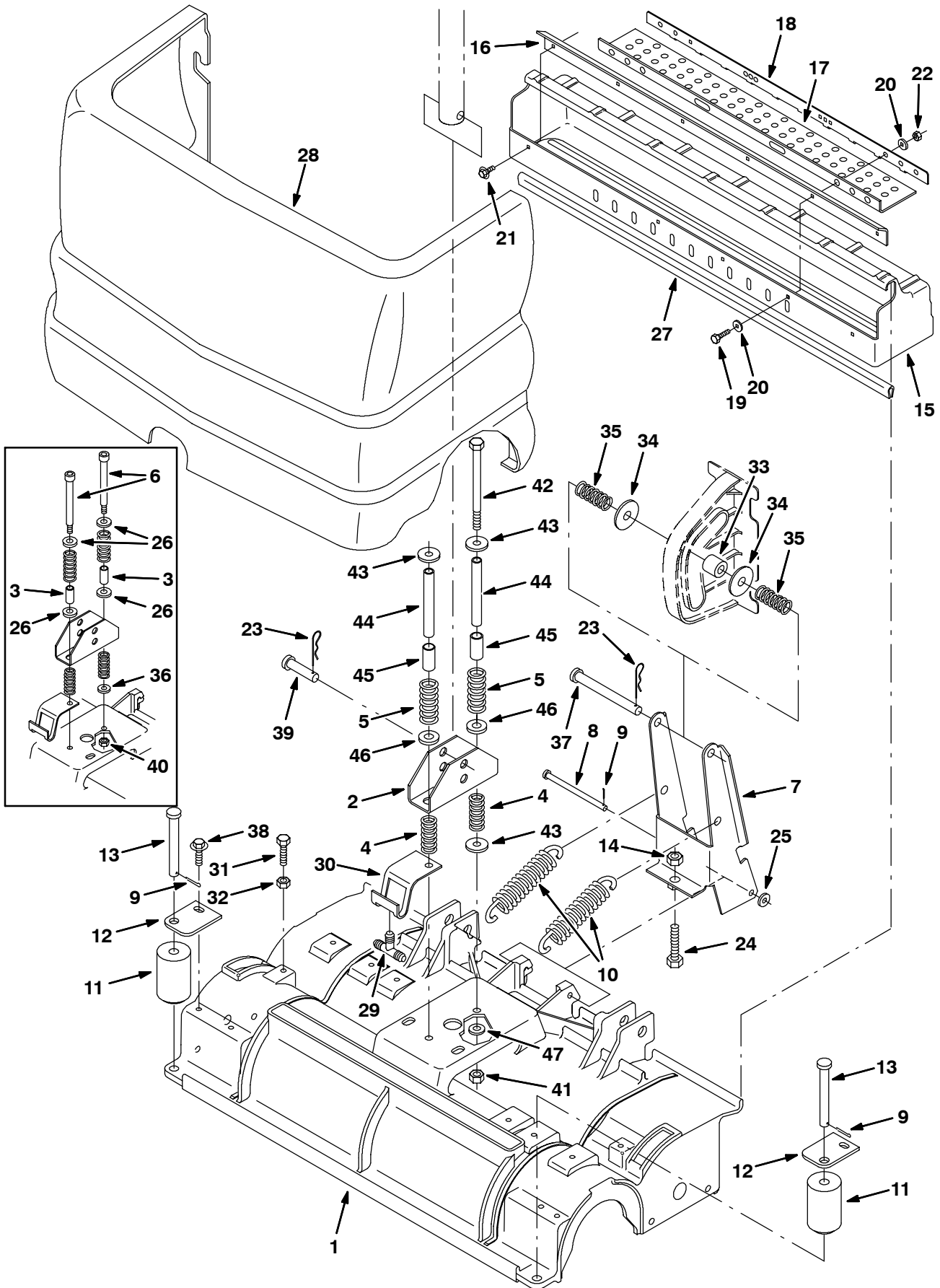


Fig. 12 - Scrub Head Frame Group, Model 800C, 800 mm (32 in)

NOTE: Scrub Head Kit, Tennant Part Number 9002723, includes Fig. 12, and Fig. 13.

Ref.	Part No.	Serial Number	Description	Qty.	
1	1022253	(000000-	Housing, Cyl, Mach, 800mm	1	
2	1012088	(000000-	Bracket, Mtg, Spring	1	
3	50682	(000000-018647	Sleeve, .500B .62D1.31 Stl	2	
4	63185	(000000-	Spring,Comp,.84Odx.10Wire 2.0L	2	
5	45261	(000000-	Sprng,Comp,0.74ldx.11Wire 2.5L	2	
6	9002024	(000000-018647	Bolt Kit, Shld, F/ 45960, Replmt	1	
7	222838	(000000-	Bracket, Pivot	1	
8	222207	(000000-	Pin, Clevis, 0.31Dia X4.5Lg	1	
9	08346	(000000-	Pin, Cotter .125X0.75	3	
10	222363	(000000-	Spring, Tension	2	
11	222178	(000000-	Roller, Bumper	2	
12	222179	(000000-	Bracket, Mounting, Roller	2	
13	222196	(000000-	Pin, Roller	2	
14	39312	(000000-	Nut, Hex, Std, M10 X 1.5	1	
▽	222825	(000000-	Debris Tray Kit, 32 in	1	
▲	15	391330	(000000-	Tray, Debris, 32	1
▲	16	222204	(000000-	Lip, Debris Tray, 32"	1
▲	17	222669	(000000-	Skirt, Debris Tray	1
▲	18	222670	(000000-	Strip, Debris Tray	1
▲	19	09007	(000000-	Scr-Hexssm6X1.0 25	4
▲	20	01684	(000000-	Washer Flt .25 Ss	8
▲	21	74455	(000000-	Scr-Hxfmg M6 X 1.0 20	2
▲	22	08708	(000000-	Nut, Hex, Lock, M6 X 1.0, NI	4
	23	02942	(000000-	Pin, Cotter, Hair, 0.62d .120 Wi	2
	24	05720	(000000-	Scr-Hexssm10X1.5 40 Full Thd	1
	25	01685	(000000-	Washer, Flat, 0.38b 0.88d .08, Ss	1
	26	32486	(000000-018647	Washer, Flat, 0.50 Sae	4
	27	374006	(000000-	Channel	1
	28	397794	(000000-	Cover, Front, Trim, [5700 Cyl]	1
	29	222536	(000000-	Fitting-Plastic Tee 06Bm/06Bm/	1
	30	222523	(000000-	Bracket, Hose Guide	1
	31	09023	(000000-	Screw, Hex, M08 X 1.25 X 35, Ss	2
	32	08713	(000000-	Nut, Hex, Lock, M08 X 1.25, NI, Ss	2
	33	374162	(000000-	Roller, Rwk	1
	34	51564	(000000-	Washer, 0.53b 1.75d .12, Stl, PI	2
	35	397255	(000000-	Spring, Cmpr, 0.85od .08wir 2.0l	2
	36	01685	(000000-018647	Washer, Flat, 0.38b 0.88d .08, Ss	1
	37	222197	(000000-	Pin, Clevis 0.50 Dia X 4.75Lg	1
	38	76099	(000000-	Screw, Hex, M8 X 1.25 X 25, Fmg	2
	39	51534	(000000-	Pin, Clevis, 0.50 D X 2.00l	1
	40	36643	(000000-018647	Nut, Hex, Lock, .38-16, NI, Thin	2
	41	59156	(018648-	Nut, Hex, Lock, .38-16, NI, Ss	2
	42	20178	(018648-	Screw, Hex, .38-16 X 5.50, 5	2
	43	32662	(018648-	Washer, Flat, 0.38b 1.22d .06, Ss	3
	44	1029426	(018648-	Tube, Rnd, 0.50d 0.40b 04.3l, Ss	2
	45	140148	(018648-	Sleeve, P/M, 0.50b 0.63d 1.4l, Stl PI	2
	46	32486	(018648-	Washer, Flat, 0.50 Sae	2
	47	01685	(018648-	Washer, Flat, 0.38b 0.88d .08, Ss	2

Fig. 13 - Scrub Head Drive Group, Model 900C, 900 mm (36 in)

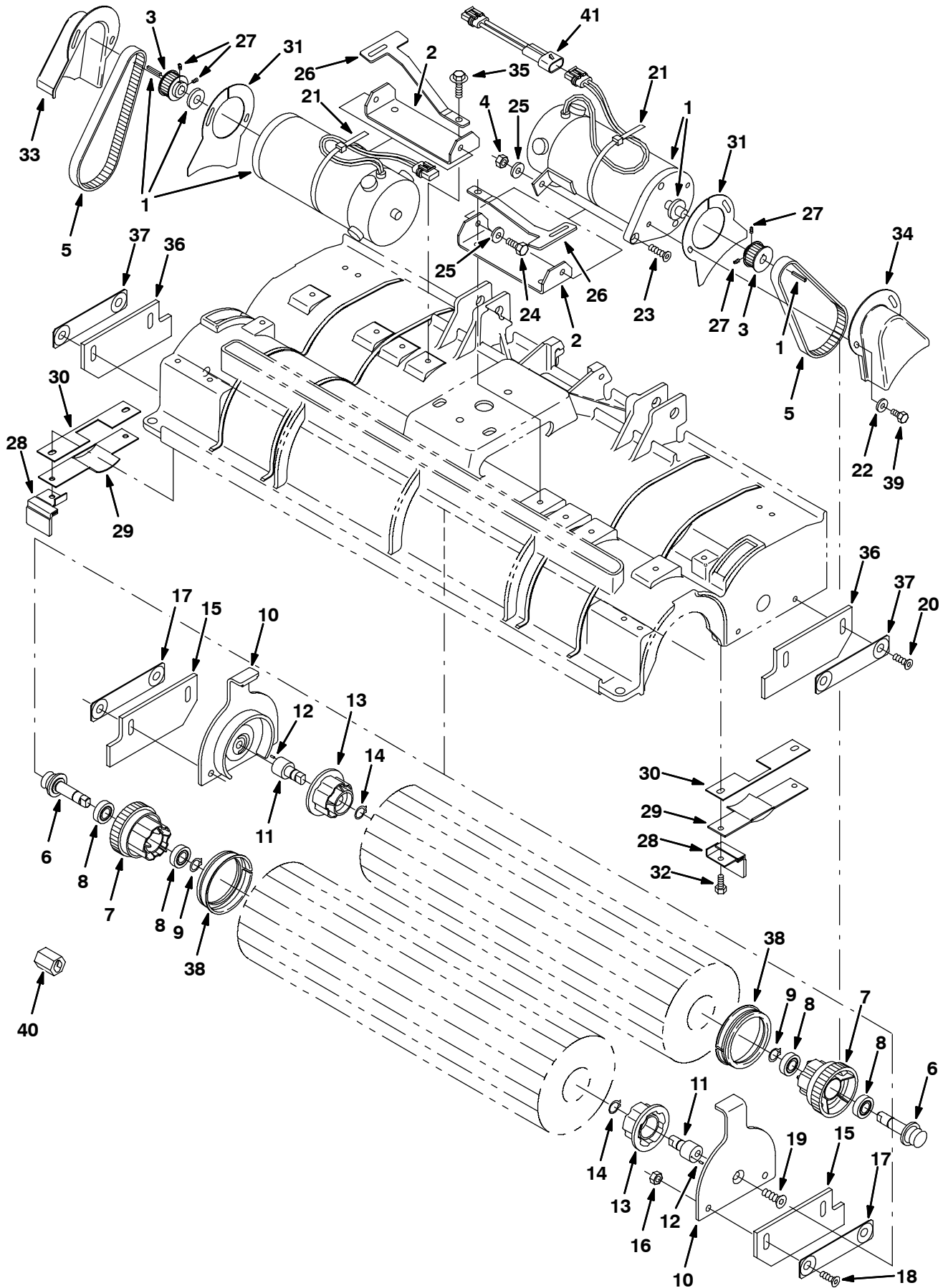


Fig. 13 - Scrub Head Drive Group, Model 900C, 900 mm (36 in)

NOTE: Scrub Head Kit, Tennant Part Number 9002724, includes Fig. 13, and Fig. 14.

Ref.	Part No.	Serial Number	Description	Qty.
1	374175AM	(000000-) Motor Assy, Ele, 36V, 0.75Hp, 1700Rpm (See Breakdowns)	2
2	223564	(000000-) Bracket, Mounting, Motor	2
3	375195	(000000-) Sprocket, Drive	2
4	08713	(000000-) Nut-Hxlocnyln M 8X1.25 Reg Ss	4
5	377505	(000000-) Belt, Replmt, Brush Drive, F/222201	2
▽	222751	(000000-) Plug Drive Assy	2
▲	6 222176	(000000-) Shaft, Drive Plug	1
▲	7 377333	(000000-) Plug, Drive, Brush, [48 Tooth - Gt/2]	1
▲	8 41360AM	(000000-) Bearing-Ball,0.59B 1.26D 0.35W	2
▲	9 01516	(000000-) Ring,Retain,Ex,0.59Od,Basic	1
▽	374082	(000000-) Door Assy, Brush	2
▲	10 369460	(000000-) Door, Brush	1
▲▽	222752	(000000-) Plug Idler Assy	1
▲▲	11 222177	(000000-) Shaft, Idler Plug	1
▲▲	12 222184	(000000-) Pin, Roll	1
▲▲	13 379202	(000000-) Plug, Brush	1
▲▲	14 01516	(000000-) Ring,Retain,Ex,0.59Od,Basic	1
▲	15 222180	(000000-) Skirt, Scrub Head	1
▲	16 08713	(000000-) Nut-Hxlocnylon M 8X1.25 Reg Ss	2
▲	17 222182	(000000-) Bar, Support	1
▲	18 74077	(000000-) Scr-Flt M8 X 1.25 25 Ss	2
▲	19 390996	(000000-) Scr-Flt M10 X 1.5 20, Ss NI	1
	20 07810	(000000-) Scr Flt M8 x 1.25 25	4
	21 44961	(000000-) Tie, Cable 4.00D Max 14.50 Lg	2
	22 01684	(000000-) Washer Flt .25 Ss	4
	23 74077	(000000-) Screw, Flat,M 8X1.25 Ss	2
	24 09740	(000000-) Scr Hexssm 8X1.25	2
	25 01685	(000000-) Washer, Flat, 0.38b 0.88d .08, Ss	6
	26 222209	(000000-) Spring, Door	2
	27 222818	(000000-) Scr-Set 8-32 X .25 Nylon Loc	4
	28 223568	(000000-) Skirt, Deflector	2
	29 223566	(000000-) Bracket, Shield	2
	30 223569	(000000-) Gasket, Shield	2
	31 223563	(000000-) Shield, Belt	2
	32 15678	(000000-) Screw, Hex, M06 X 1.0 X 16, Ss	4
	33 223560	(000000-) Guard, Belt, Rh	1
	34 223561	(000000-) Guard, Belt, Lh	1
	35 76099	(000000-) Scr-Hxfmg M8 X 1.25 25	4
	36 222180	(000000-) Skirt, Scrub Head	2
	37 222182	(000000-) Bar, Support	2
	38 222820	(000000-) Seal, Ring	2
	39 06942	(000000-) Screw, Hex, M06-1.0 X 16	4
	40 1010506	(000000-) Tool, Removal, Shaft, F/ 222176	1
	41 1025065	(000000-) Harness, Motor, Brush	1

Fig. 14 - Scrub Head Frame Group, Model 900C, 900 mm (36 in)

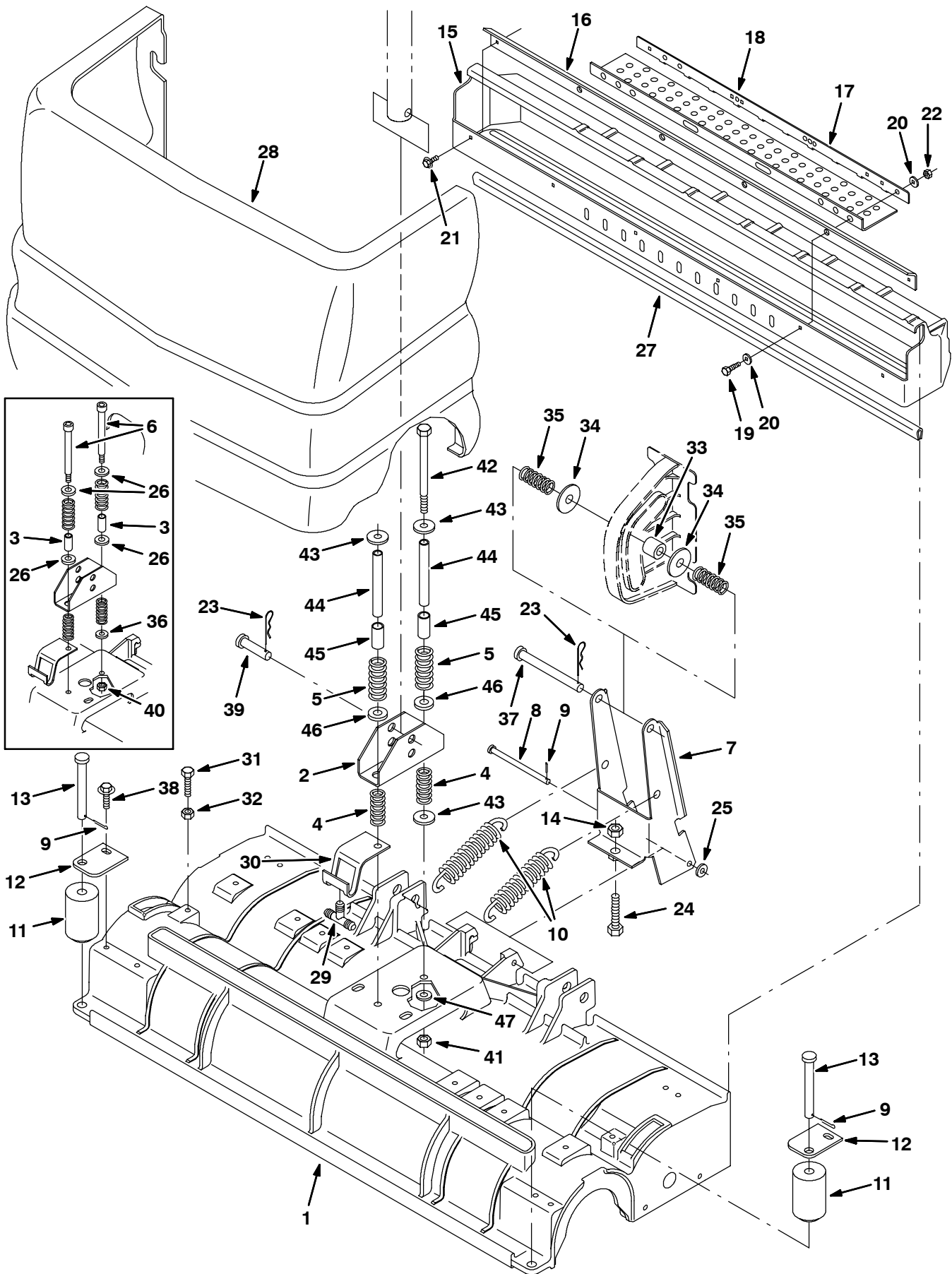
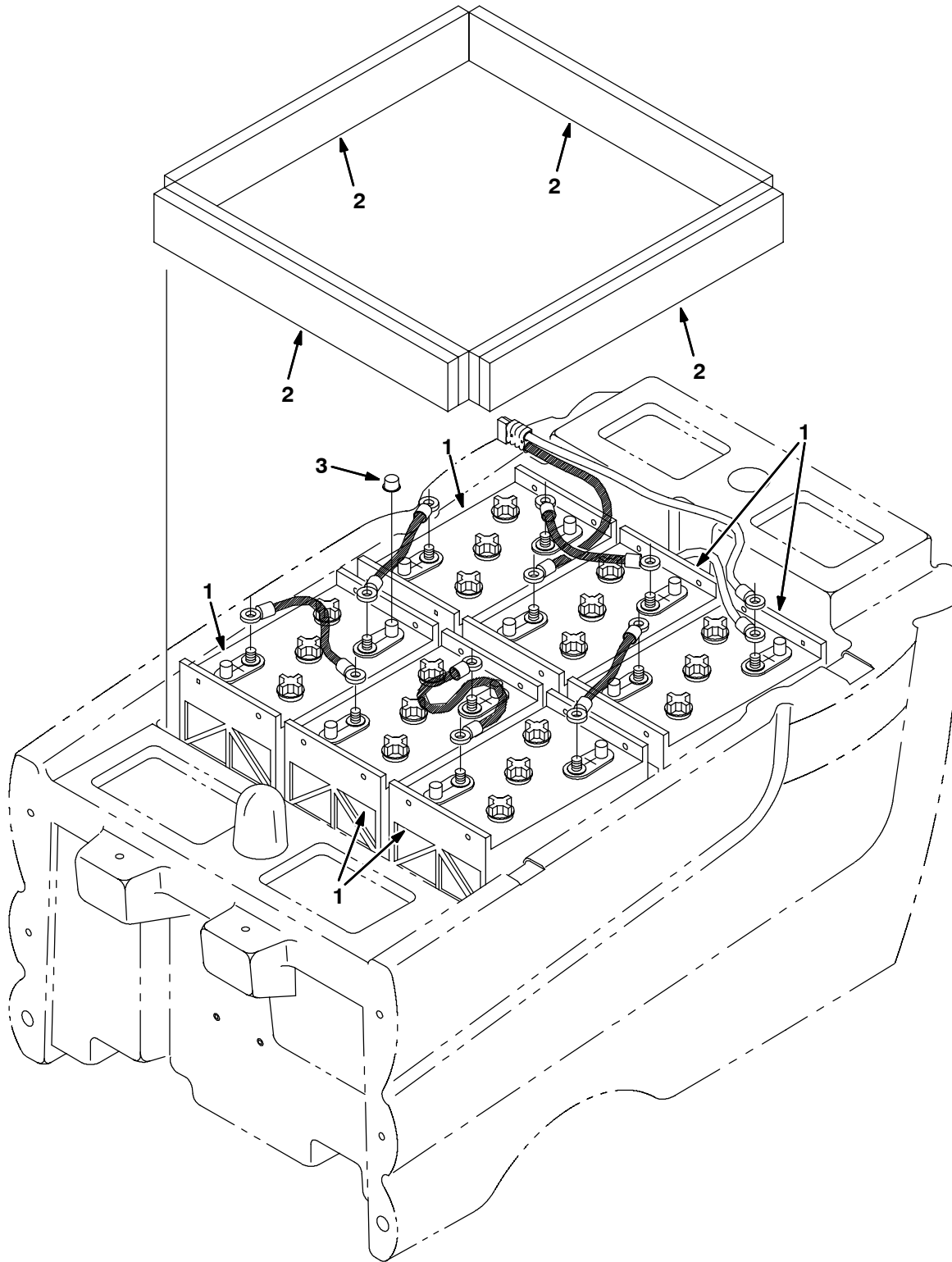


Fig. 14 - Scrub Head Frame Group, Model 900C, 900 mm (36 in)

NOTE: Scrub Head Kit, Tennant Part Number 9002724, includes Fig. 13, and Fig. 14.

Ref.	Part No.	Serial Number	Description	Qty.	
1	1022252	(000000-	Housing, Cyl, Mach, 900mm	1	
2	1012088	(000000-	Bracket, Mtg, Spring	1	
3	50682	(000000-018647	Sleeve, .500B .62D1.31 Stl	2	
4	63185	(000000-	Spring,Comp,.84Odx.10Wire 2.0L	2	
5	45261	(000000-	Sprng,Comp,0.74ldx.11Wire 2.5L	2	
6	9002024	(000000-018647	Bolt Kit, Shld, F/ 45960, Replmt	1	
7	222838	(000000-	Bracket, Pivot	1	
8	222207	(000000-	Pin, Clevis, 0.31Dia X4.5Lg	1	
9	08346	(000000-	Pin, Cotter .125X0.75	3	
10	222363	(000000-	Spring, Tension	2	
11	222178	(000000-	Roller, Bumper	2	
12	222179	(000000-	Bracket, Mounting, Roller	2	
13	222196	(000000-	Pin, Roller	2	
14	39312	(000000-	Nut, Hex, Std, M10 X 1.5	1	
▽	222826	(000000-	Debris Tray Kit, 36 in	1	
▲	15	223400	(000000-	Tray, Debris, 36	1
▲	16	222205	(000000-	Lip, Debris Tray, 36"	1
▲	17	222669	(000000-	Skirt, Debris Tray	1
▲	18	222670	(000000-	Strip, Debris Tray	1
▲	19	09007	(000000-	Scr-Hexssm6X1.0 25	4
▲	20	01684	(000000-	Washer Flt .25 Ss	8
▲	21	74455	(000000-	Scr-Hxfmg M6 X 1.0 20	2
▲	22	08708	(000000-	Nut, Hex, Lock, M6 X 1.0, NI	4
	23	02942	(000000-	Pin, Cotter, Hair, 0.62d .120 Wi	2
	24	05720	(000000-	Scr-Hexssm10X1.5 40 Full Thd	1
	25	01685	(000000-	Washer, Flat, 0.38b 0.88d .08, Ss	1
	26	32486	(000000-018647	Washer, Flat, 0.50 Sae	4
	27	374006	(000000-	Channel	1
	28	397794	(000000-	Cover, Front, Trim, [5700 Cyl]	1
	29	222536	(000000-	Fitting-Plastic Tee 06Bm/06Bm/	1
	30	222523	(000000-	Bracket, Hose Guide	1
	31	09023	(000000-	Screw, Hex, M08 X 1.25 X 35, Ss	2
	32	08713	(000000-	Nut, Hex, Lock, M08 X 1.25, NI, Ss	2
	33	374162	(000000-	Roller, Rwk	1
	34	51564	(000000-	Washer, 0.53b 1.75d .12, Stl, PI	2
	35	397255	(000000-	Spring, Cmpr, 0.85od .08wir 2.0l	2
	36	01685	(000000-018647	Washer, Flat, 0.38b 0.88d .08, Ss	1
	37	222197	(000000-	Pin, Clevis 0.50 Dia X 4.75Lg	1
	38	76099	(000000-	Screw, Hex, M8 X 1.25 X 25, Fmg	2
	39	51534	(000000-	Pin, Clevis, 0.50 D X 2.00l	1
	40	36643	(000000-018647	Nut, Hex, Lock, .38-16, NI, Thin	2
	41	59156	(018648-	Nut, Hex, Lock, .38-16, NI, Ss	2
	42	20178	(018648-	Screw, Hex, .38-16 X 5.50, 5	2
	43	32662	(018648-	Washer, Flat, 0.38b 1.22d .06, Ss	3
	44	1029426	(018648-	Tube, Rnd, 0.50d 0.40b 04.3l, Ss	2
	45	140148	(018648-	Sleeve, P/M, 0.50b 0.63d 1.4l, Stl PI	2
	46	32486	(018648-	Washer, Flat, 0.50 Sae	2
	47	01685	(018648-	Washer, Flat, 0.38b 0.88d .08, Ss	2

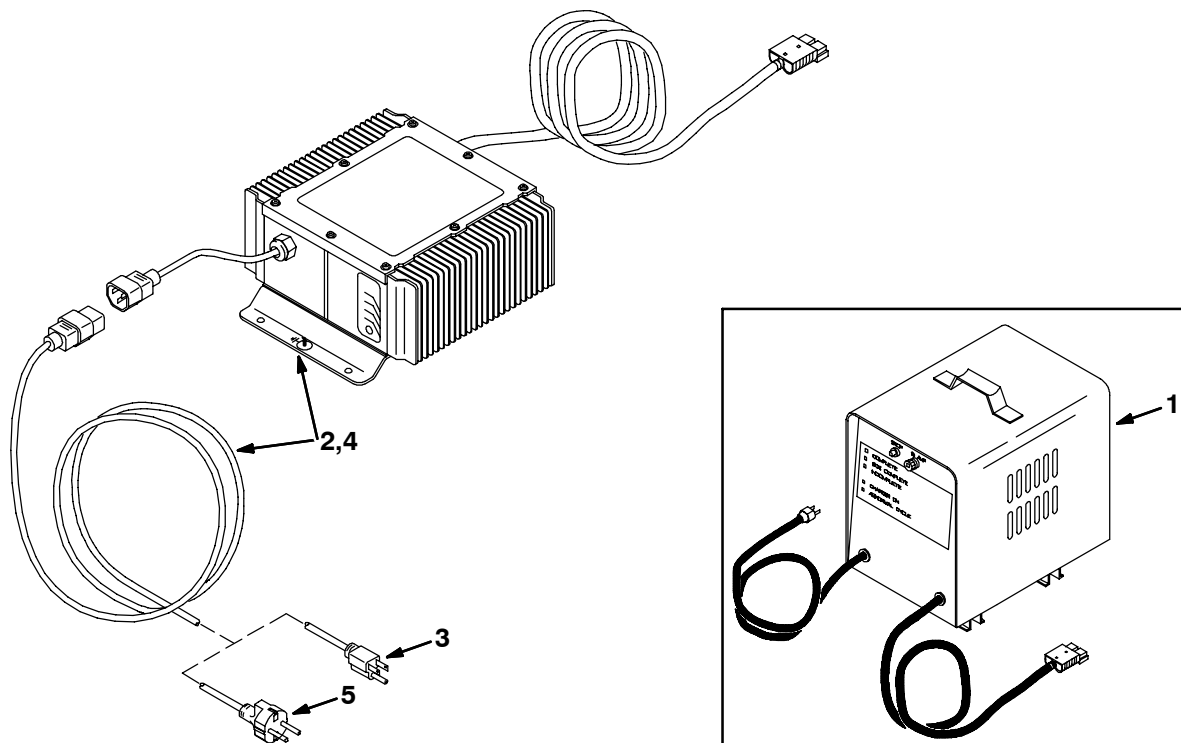
Fig. 15 - Battery Kit, Heavy Duty Wet, 335AH



353415

Ref.	Part No.	Serial Number	Description	Qty.
▽	222777	(000000-) Battery Kit 36V 335Ah Wet	1
▲	1 222846	(000000-) Battery, 6V, Res Cap:196 Wet	6
▲	2 222473	(000000-) Spacer, Battery .62X1.5X21.0	6
▲	3 223641	(000000-) Cap, Battery	6

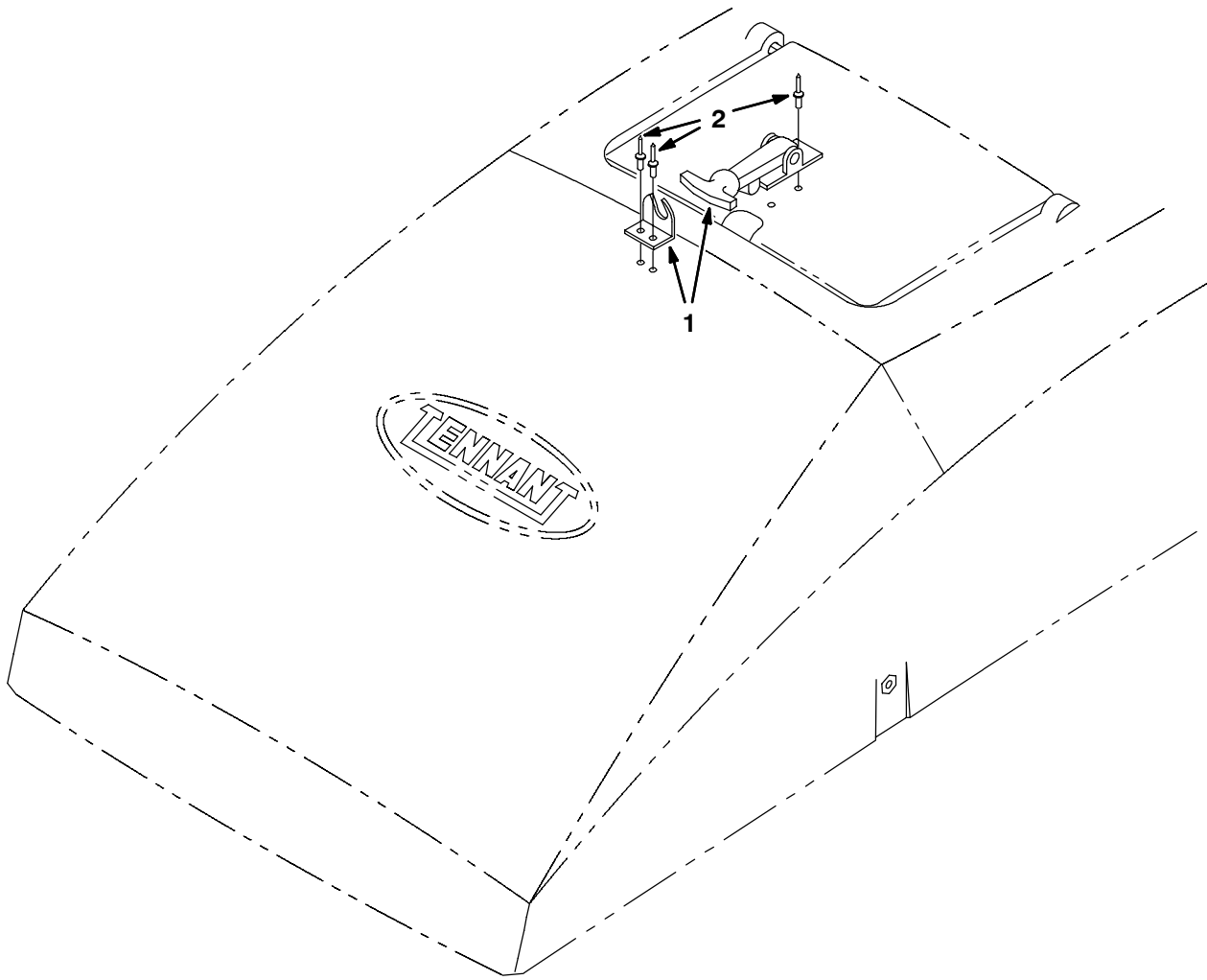
Fig. 16 - Battery Charger Group



354318, 08080

Ref.	Part No.	Serial Number	Description	Qty.
1	374014	(000000-xxxxxx)	Charger, 36V/20A/60H/1Ph/115V	1
1	374015	(000000-xxxxxx)	Charger, 36V/30A/60H/1Ph/115V	1
▽	2	9001055	(xxxxxx-) Charger Kit, Battery, Ci [Domestic]	1
▲	3	1017079	(xxxxxx-) Cord, Ele, Chrgr [Onboard]	1
International Only				
Ref.	Part No.	Serial Number	Description	Qty.
▽	4	9001054	(xxxxxx-) Charger Kit, Ci [Export/Euro/Asai]	1
▲	5	1019242	(xxxxxx-) Cord, Ele, Chrgr [European]	1

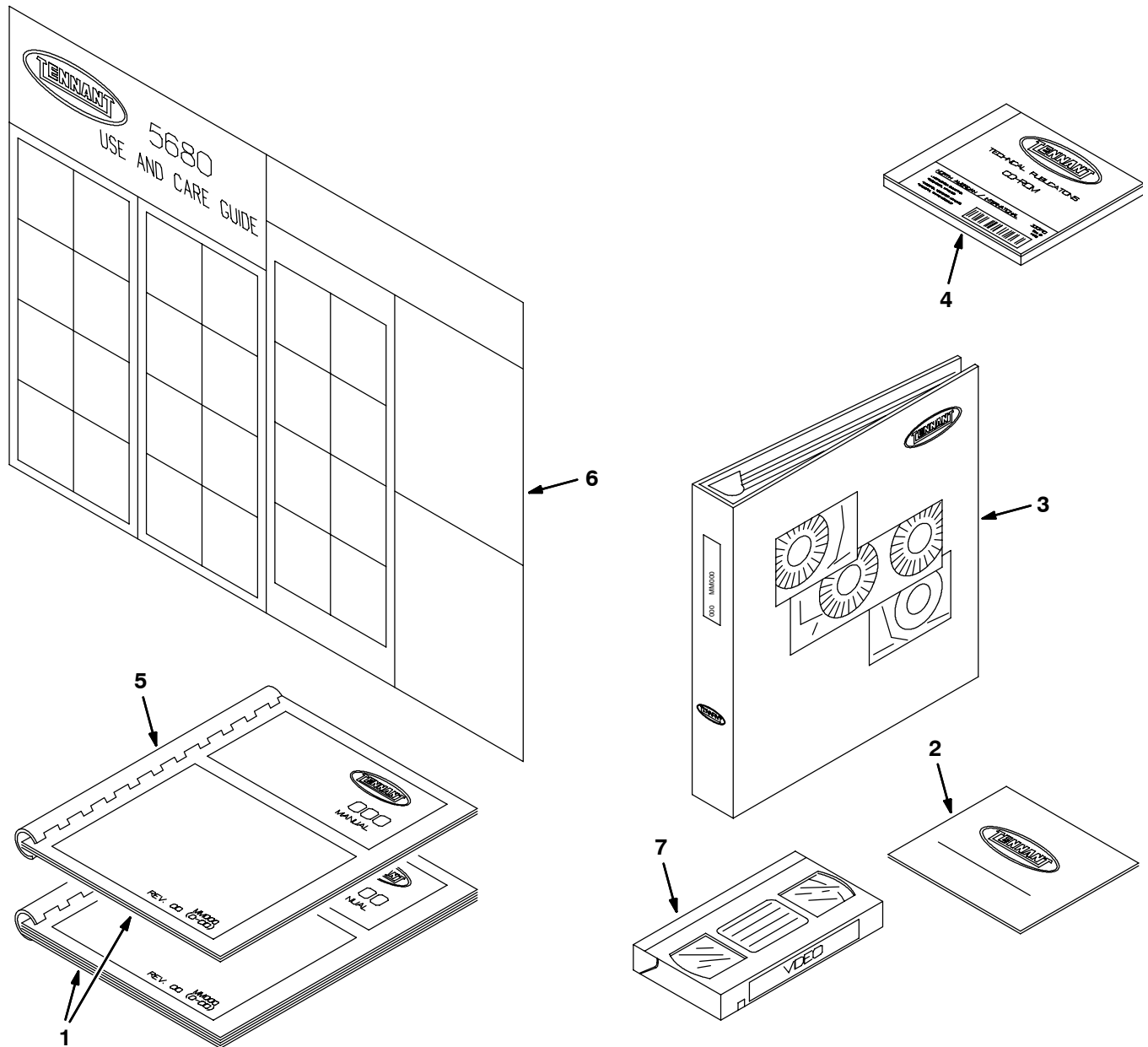
Fig. 17 - Transport Group



10289

	Ref.	Part No.	Serial Number	Description	Qty.
▽		398030	(000000-) Kit, Ci, Demo, [5680]	1
▲	1	11636	(000000-) Latch, Draw, Flexible	1
▲	2	01335	(000000-) Rivet, Pop-.125Dx.44X.25Dhd Al	4

Fig. 18 - Documentation Group



07501 - 5680

Ref.	Part No.	Serial Number	Description	Qty.
1	330450	(000000-) Manual Pkg, [5680 Ele Na]	1
2	374361	(000000-) Cd-Rom, Oprtr, Training [5680]	1
3	MM406	(000000-) Manual, Service	1
4	330710	(000000-) Manual, Cd-Rom, Oprtr & Parts, All (NA)	1
5	330452	(000000-) Manual Oprtr, [5680 Ele Es Na]	1
5	330453	(000000-) Manual Oprtr, [5680 Ele Fr Na]	1
6	398477	(000000-) Instr, Mach, Wall Chart [5680]	1
7	374360	(000000-) Video, Oprtr, Vhs, Training [5680]	1

SECTION 4

Contents	Page
Fig. 1 - Electric Motor Breakdown, 17363	4-2
Fig. 2 - Electric Motor Breakdown, 398520	4-4
Fig. 3 - Electric Motor Breakdown, 397815	4-6
Fig. 4 - Electric Motor Breakdown, 375175AM	4-7
Fig. 5 - Transaxle Drive Breakdown, 397707AM	4-8
Fig. 6 - Transaxle Motor Breakdown, 222371	4-10
Fig. 7 - Transaxle Motor Breakdown, 374265	4-11
Fig. 8 - Battery Charger Breakdown, 60 Hz, 115V (235 Ah batteries), 374014	4-12
Fig. 9 - Battery Charger Breakdown, 60 Hz, 115V (305 Ah batteries), 374015	4-13

Fig. 1 - Electric Motor Breakdown, 17363

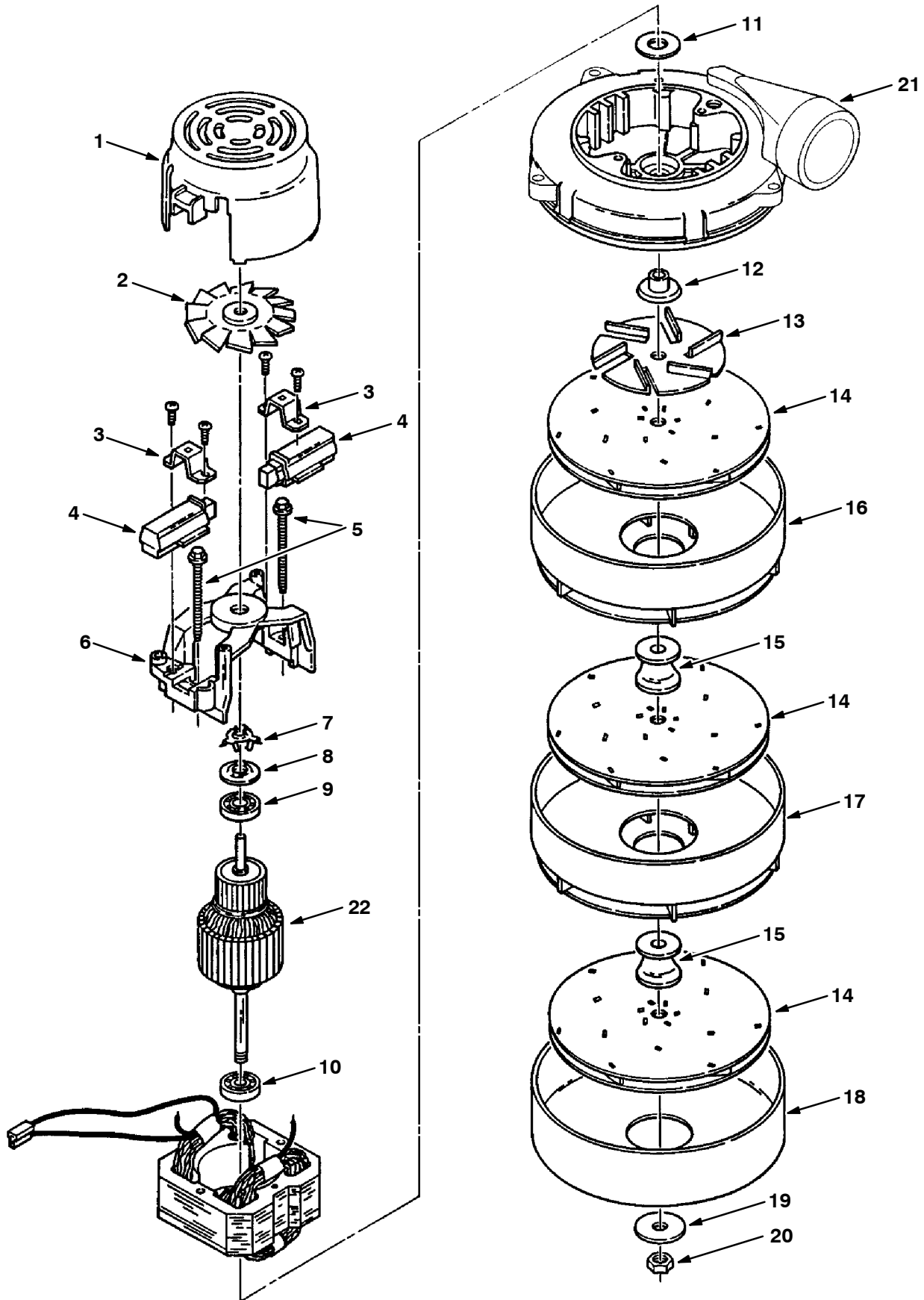


Fig. 1 - Electric Motor Breakdown, 17363

	Ref.	Part No.	Serial Number	Description	Qty.
▽		17363	(000000-) Fan, Vacuum	1
▲	1	37926	(000000-) Housing	1
▲	2	61298	(000000-) Fan	1
▲	3	01982	(000000-) Clamp	2
▲	4	11756	(000000-) Brush Mechanism	2
▲	5	01969	(000000-) Screw	2
▲	6	01983	(000000-) Comm. Bracket	1
▲	7	01856	(000000-) Spring	1
▲	8	37909	(000000-) Disc	1
▲	9	01842	(000000-) Bearing	1
▲	10	01837	(000000-) Bearing	1
▲	11	37912	(000000-) Washer, Neo.	1
▲	12	18627	(000000-) Spacer	1
▲	13	01971	(000000-) Fan	1
▲	14	18628	(000000-) Vacuum Fan	3
▲	15	18630	(000000-) Spacer	2
▲	16	61300	(000000-) Stationary Fan	1
▲	17	61297	(000000-) Stationary Fan	1
▲	18	18631	(000000-) Shell	1
▲	19	378983	(000000-) Washer	1
▲	20	37929	(000000-) Nut	1
▲	21	60386	(000000-) Bracket, Fan End	1
▲	22	21765	(000000-) Armature	1
▲		223264	(000000-) Seal, Fan	1
▲		10925	(000000-) Connector, 2 Conductor	1
▲		10926	(000000-) Terminal, Female	2

Fig. 2 - Electric Motor Breakdown, 398520

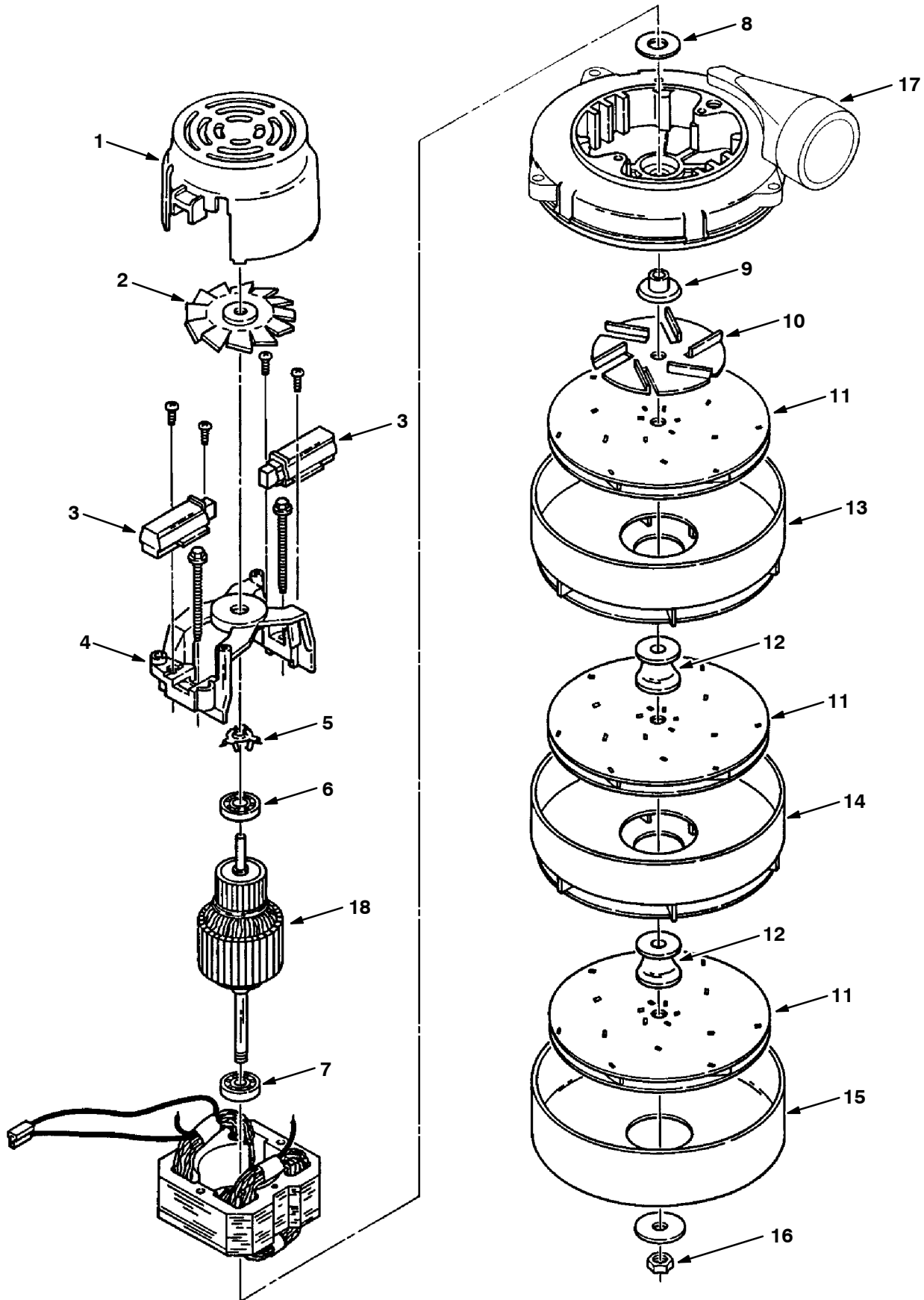
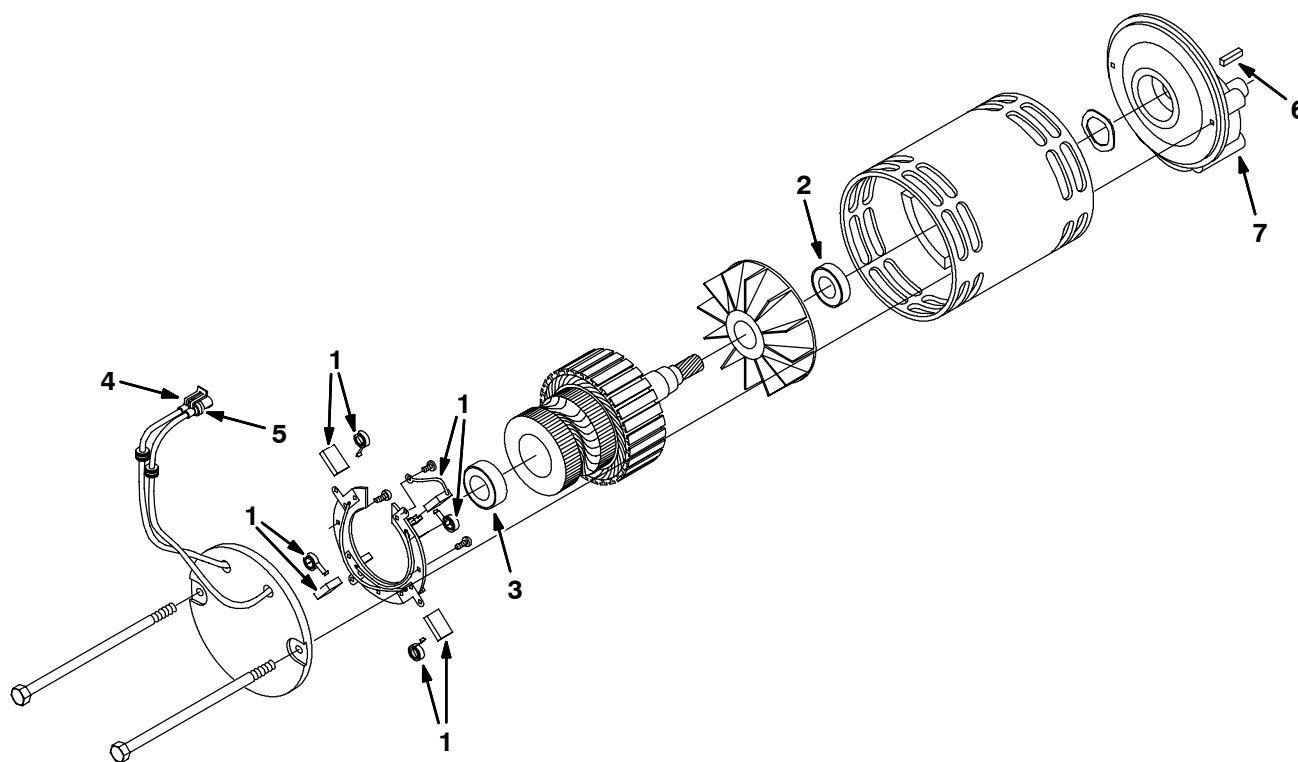


Fig. 2 - Electric Motor Breakdown, 398520

	Ref.	Part No.	Serial Number	Description	Qty.
▽		398520	(000000-) Fan, Vacuum	1
▲	1	398511	(000000-) Housing	1
▲	2	398512	(000000-) Fan	1
▲	3	398513	(000000-) Brush Mechanism	2
▲	4	398514	(000000-) Comm. Bracket	1
▲	5	01856	(000000-) Spring	1
▲	6	398515	(000000-) Bearing	1
▲	7	01837	(000000-) Bearing	1
▲	8	37912	(000000-) Washer, Neo.	1
▲	9	398516	(000000-) Spacer	1
▲	10	01971	(000000-) Fan	1
▲	11	18628	(000000-) Vacuum Fan	3
▲	12	398517	(000000-) Spacer	2
▲	13	61300	(000000-) Stationary Fan	1
▲	14	61297	(000000-) Stationary Fan	1
▲	15	398518	(000000-) Shell	1
▲	16	37929	(000000-) Nut	1
▲	17	60386	(000000-) Bracket, Fan End	1
▲	18	398519	(000000-) Armature	1
▲		223264	(000000-) Seal, Fan	1
▲		10925	(000000-) Connector, 2 Conductor	1
▲		10926	(000000-) Terminal, Female	2

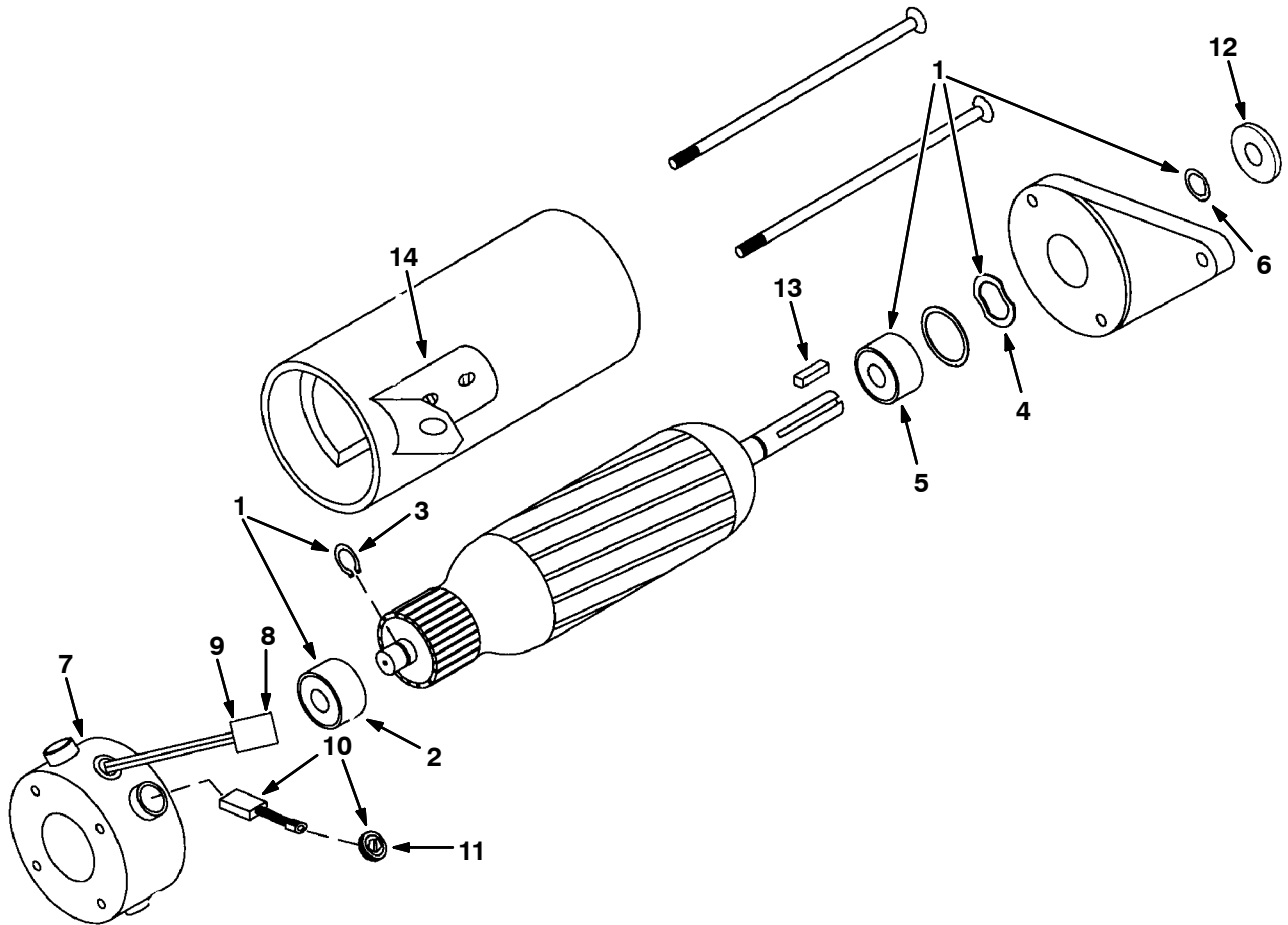
Fig. 3 - Electric Motor Breakdown, 397815



354094 - 5680

Ref.	Part No.	Serial Number	Description	Qty.	
▽	397815	(000000-) Motor, Ele, 36vdc 0.75hp 0200rpm . A	1	
▲	1	222606	(000000-) Brush Kit	1
▲	2	222618	(000000-) Bearing	1
▲	3	222617	(000000-) Bearing	1
▲	4	10925	(000000-) Connector, Fem, 2cav [Mp630 Sealed]	1
▲	5	24537	(000000-) Terminal, Fem, 10/12ga [Mp630 P2s]	2
▲	6	00928	(000000-) Key Square 0.25 0.25 01.00 Lg	1
▲	7	374005	(000000-) Gearbox, Motor	1

Fig. 4 - Electric Motor Breakdown, 375175AM



Ref.	Part No.	Serial Number	Description	Qty.
▽	375175AM	(000000-) Motor Assy, Ele, 36Vdc, 0.75Hp, 1700Rpm	1
▲▽	1 375176	(000000-) Kit, Motor Bearing	1
▲▲	2 222635	(000000-) Bearing	1
▲▲	3 222637	(000000-) Ring, Snap	1
▲▲	4 375177	(000000-) Washer, Spring	1
▲▲	5 375178	(000000-) Bearing, Drive End	1
▲▲	6 375179	(000000-) Seal	1
▲▽	7 374004	(000000-) Endbell, Brush End, Motor-Ele	1
▲▲	8 10925	(000000-) Connector, 2-Conductor	1
▲▲	9 24537	(000000-) Terminal, Female	2
▲▽	10 222625	(000000-) Kit, Brush	1
▲▲	11 222629	(000000-) Cap, Brush Holder	4
▲	12 20536-2	(000000-) Washer, 0.47b 1.19d .03, Nyl	1
▲	13 00954	(000000-) Key, Sq, 0.12 X 0.12, 01.00l	1
▲	14 222877	(000000-) Kit, Brace	1

Fig. 5 - Transaxle Drive Breakdown, 397707AM

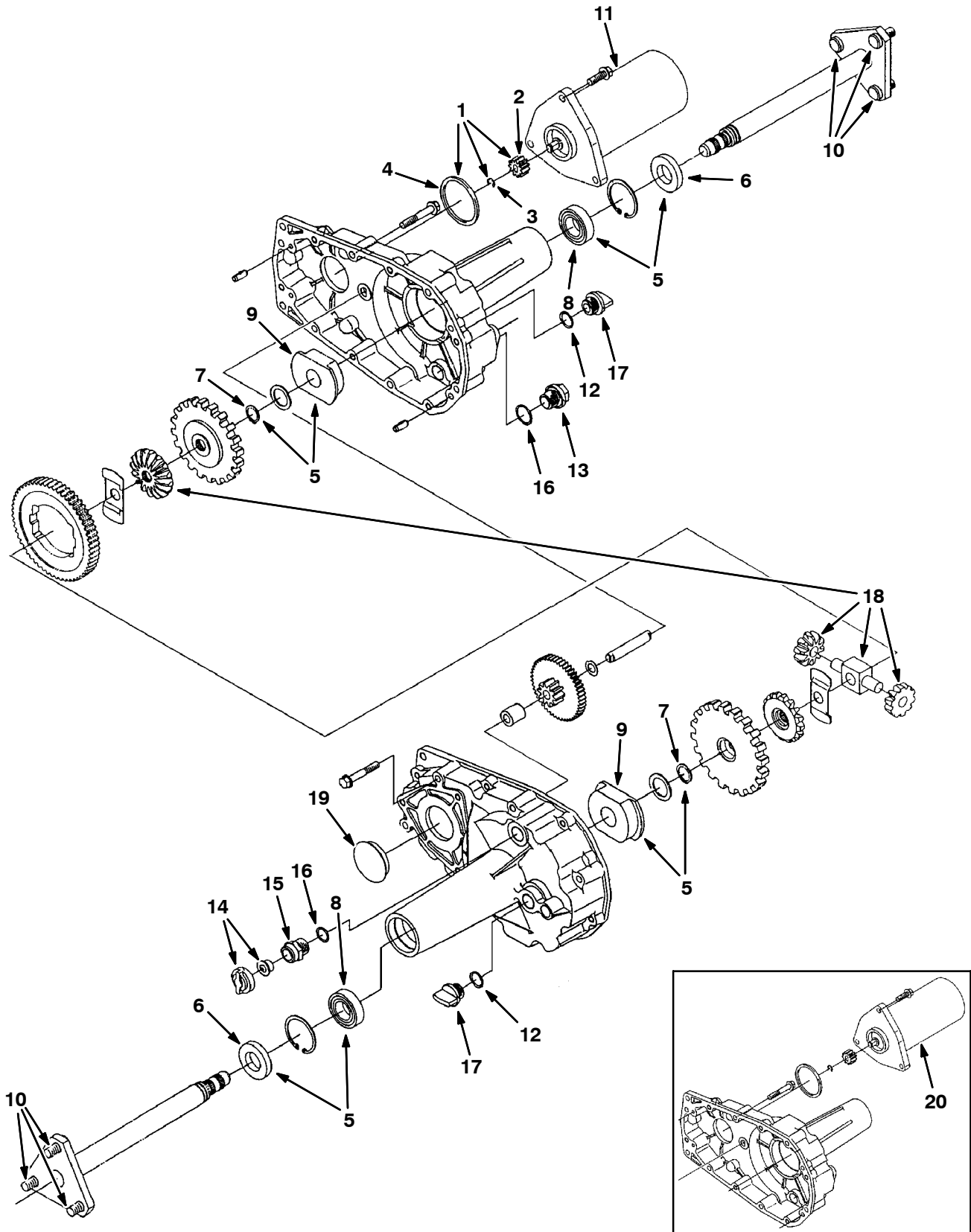
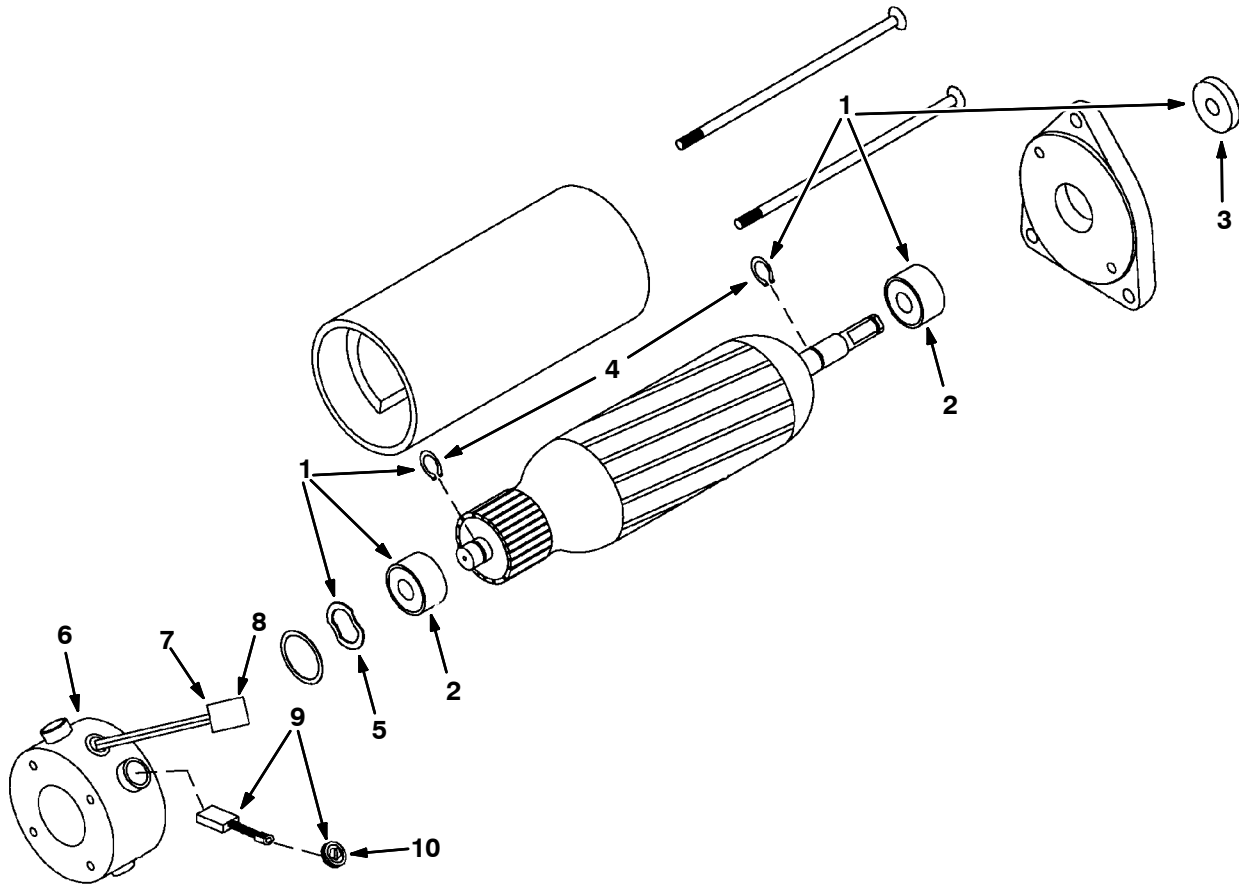


Fig. 5 - Transaxle Drive Breakdown, 397707AM

Ref.	Part No.	Serial Number	Description	Qty.
▽	397707AM	(000000-) Transaxle, Single Drive	1
▲▽	1 222640	(000000-) Mtr Gear Kit	1
▲▲	2 222599	(000000-) Pinion Gear	1
▲▲	3 222656	(000000-) Clip	1
▲▲	4 222657	(000000-) O-Ring	1
▲▽	5 222641	(000000-) Brg&Seal Kit	1
▲▲	6 222658	(000000-) Seal	2
▲▲	7 222659	(000000-) Snap Ring	2
▲▲	8 222660	(000000-) Bearing	2
▲▲	9 222661	(000000-) Bushing	2
▲	10 11117	(000000-) Stud, Wheel .44-20 X1.22	6
▲	11 374265AM	(000000-) Motor, Ele, 36vdc 0.50hp 2000rpm (See Breakdowns)	1
▲	12 374057	(000000-) Packing, Cap	2
▲	13 374058	(000000-) Plug, Drain	1
▲	14 374053	(000000-) Vent, Valve	1
▲	15 374054	(000000-) Plug, Breather	1
▲	16 374055	(000000-) Packing, Breather	2
▲	17 375056	(000000-) Cap, Oil	2
▲	18 388499	(000000-) Kit, Gear, Differential	1
▲	19 388485	(000000-) Plug	1
	20 222371	(000000-) Motor,Elec 0.5Hp36V.Dc,1900Rpm (Replaced By 374265AM) (See Breakdowns)	1

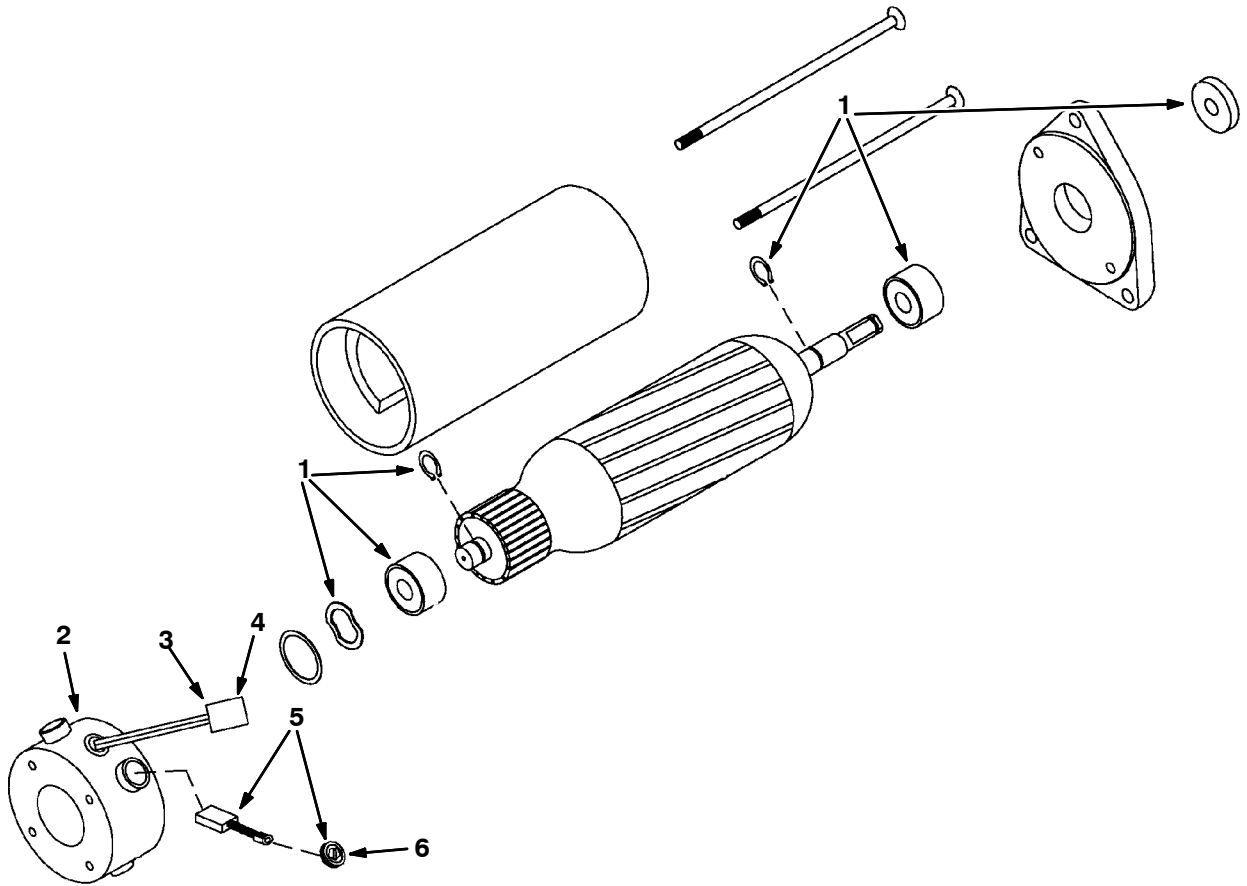
Fig. 6 - Transaxle Motor Breakdown, 222371



5680

Ref.	Part No.	Serial Number	Description	Qty.	
▽	222371	(000000-) Motor,Elec 0.5Hp36V.Dc,1900Rpm	1	
▲▽	1	222622	(000000-) Bearing & Seal Kit	1
▲▲	2	222635	(000000-) Bearing	2
▲▲	3	222634	(000000-) Seal	1
▲▲	4	222637	(000000-) Snap Ring	2
▲▲	5	222638	(000000-) Wavy Washer	1
▲▽	6	374003	(000000-) End Ass'y, Brush	1
▲▲	7	10925	(000000-) Connector, 2 Conductor	1
▲▲	8	24537	(000000-) Terminal, Female	2
▲▽	9	222625	(000000-) Brush Kit	1
▲▲	10	222629	(000000-) Brush Holder Cap	4

Fig. 7 - Transaxle Motor Breakdown, 374265AM

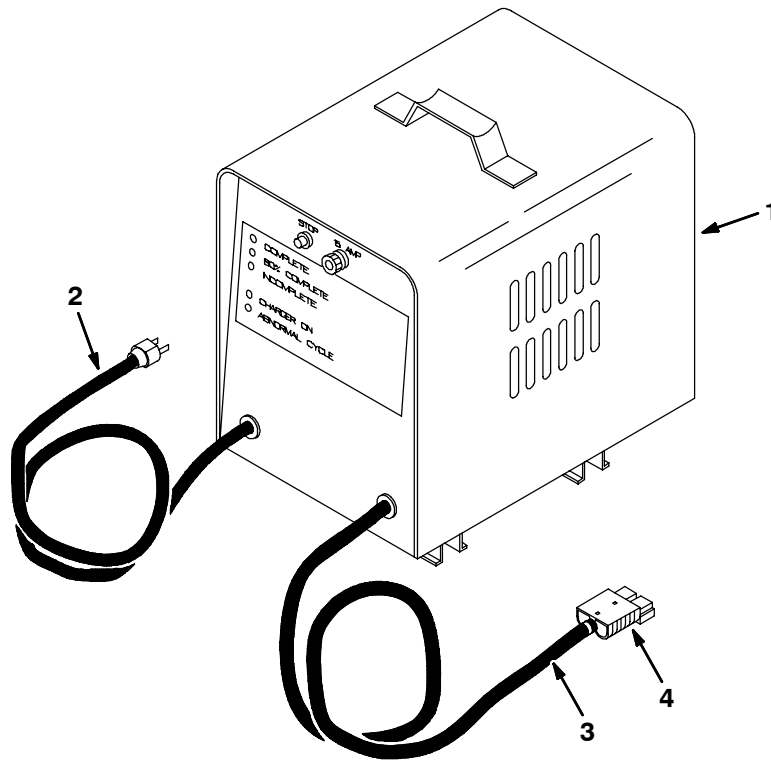


5680

Ref.	Part No.	Serial Number	Description	Qty.
▽	374265AM	(000000-) Motor, Ele, 36vdc 0.50hp 1900rpm	1
▲▽	1 374271	(000000-) Bearing Kit, Motor, Ele	1
▲▽	2 374003	(000000-) End Ass'y, Brush	1
▲▲	3 10925	(000000-) Connector, 2 Conductor	1
▲▲	4 24537	(000000-) Terminal, Female	2
▲▽	5 222625	(000000-) Brush Kit	1
▲▲	6 222629	(000000-) Brush Holder Cap	4

BREAKDOWNS

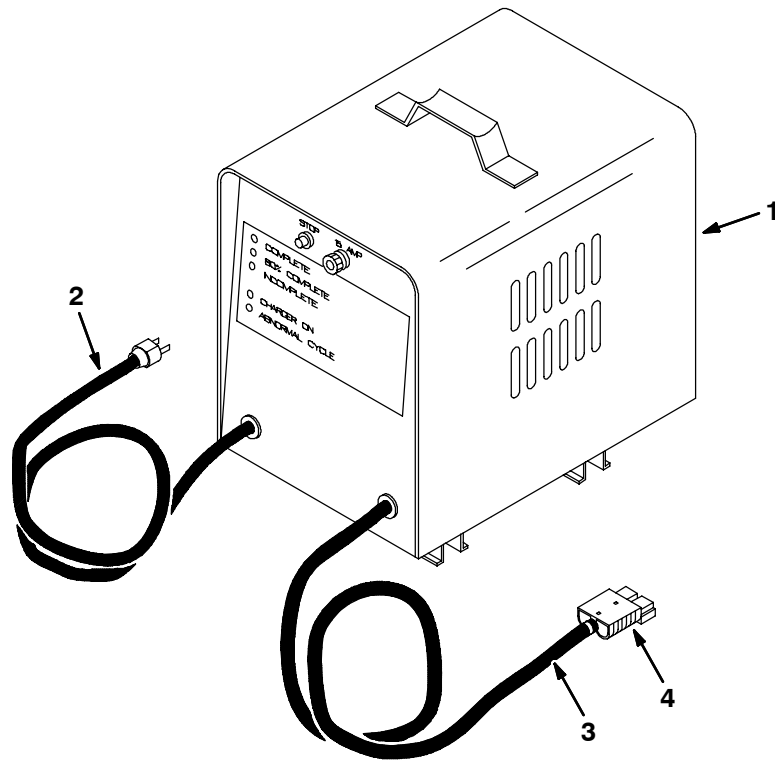
Fig. 8 - Battery Charger Breakdown, 60 Hz, 115V (235 Ah batteries), 374014



5680

Ref.	Part No.	Serial Number	Description	Qty.
▽	1	374014	(000000-) Charger 36V/20A/60Hz/1Ph/115V	1
▲	2	374020	(000000-) Cord Assy A.C.	1
▲	3	374019	(000000-) Cord Assy D.C.	1
▲	4	24881	(000000-) Connector, Grey, SB50	1
▲		374017	(000000-) Circuit Breaker 15A	1
▲		65954	(000000-) Circuit Breaker	1
▲		374018	(000000-) Control Circuit	1
▲		374021	(000000-) Rectifier Assy	2
▲		374022	(000000-) Rectifier Scr 20A	2
▲		21776	(000000-) D.C.Strain Relief	1
▲		21775	(000000-) A.C.Strain Relief	1
▲		374023	(000000-) Switch, Red Stop	1
▲		65630	(000000-) Varistor	1

Fig. 9 - Battery Charger Breakdown, 60 Hz, 115V (305 Ah batteries), 374015



5680

Ref.	Part No.	Serial Number	Description	Qty.
▽	1	374015	(000000-) Charger 36V/30A/60Hz/1Ph/115V	1
▲	2	374028	(000000-) Cord Assy A.C.	1
▲	3	374019	(000000-) Cord Assy D.C.	1
▲	4	24881	(000000-) Connector, Grey, SB50	1
▲		374025	(000000-) Circuit Breaker 20A/AC	1
▲		374026	(000000-) Fuse, D.C. 80Amp	1
▲		374027	(000000-) Control Circuit 36V/30A	1
▲		374029	(000000-) Rectifier Assy	2
▲		374030	(000000-) Rectifier Scr 35A	2
▲		21776	(000000-) D.C.Strain Relief	1
▲		21775	(000000-) A.C.Strain Relief	1
▲		374023	(000000-) Switch, Red Stop	1
▲		65630	(000000-) Varistor	1

SECTION 5

CONTENTS	PAGE
PART NUMBER TO PAGE NUMBER CROSS REFERENCE LIST	5-2
PART DESCRIPTION TO PAGE NUMBER CROSS REFERENCE LIST	5-7

CROSS REFERENCE

PART NUMBER TO PAGE NUMBER CROSS REFERENCE LIST

Part Number	Page Number	Part Number	Page Number	Part Number	Page Number
MM406	3-33	08708	2-35, 2-41, 3-3, 3-5, 3-7, 3-21, 3-25, 3-29, 3-3	1006400	3-13, 3-15
00926	2-15, 2-17, 2-19			1006401	3-9, 3-11
00928	4-6			1006420	3-3
00954	4-7	08712	2-39, 2-41	1006447	3-15
01314	2-39	08713	2-11, 2-13, 2-15, 2-17, 2-19, 2-21, 2-23, 2-29, 2-31, 2-41, 2-43, 2-45, 2-47, 2-49, 3-19, 3-21, 3-23, 3-25, 3-27, 3-29	1008142	2-41
01316	2-21			1008211	3-5, 3-7, 3-3
01335	3-32			1008349	3-5, 3-7, 3-3
01516	3-19, 3-23, 3-27			1008637	2-23
01684	2-5, 2-7, 2-9, 2-39, 2-41, 3-11, 3-19, 3-21, 3-23, 3-25, 3-27, 3-29	08716	3-3, 3-5, 3-7, 3-3	1008639	2-23
01685	2-11, 2-13, 2-15, 2-17, 2-19, 2-21, 2-23, 2-25, 2-27, 2-29, 2-31, 2-33, 2-37, 2-39, 2-41, 2-43, 2-45, 2-47, 2-49, 3-11, 3-19, 3-21, 3-23, 3-25, 3-27, 3-29	09007	3-21, 3-25, 3-29	1010506	3-19, 3-23, 3-27
01686	2-15, 2-17, 2-19	09010	2-11, 2-43	1011167	2-23
01713	2-39	09011	2-29, 2-31	1011168	2-23
01754	2-41	09023	2-13, 2-15, 2-17, 2-19, 2-37, 2-43, 3-21, 3-25, 3-29	1012088	3-21, 3-25, 3-29
01757	2-33, 2-41	09026	2-11, 2-43	1013079	3-11
01837	4-3, 4-5	09163	2-39	1013902	3-5, 3-7, 3-3
01842	4-3	09198	2-5, 2-7, 2-9	1014082	3-5, 3-7, 3-3
01856	4-3, 4-5	09206	3-3, 3-5, 3-7, 3-3	1014553	3-5, 3-7, 3-3
01969	4-3	09740	2-29, 2-31, 3-19, 3-23, 3-27	1014563	2-11
01971	4-3, 4-5			1014673	3-11
01982	4-3	09767	2-45, 2-47, 2-49	1014791	3-11
01983	4-3	1002326	3-17	1014957	3-11
02076	2-33	1002344	3-3	1014985	3-5, 3-7, 3-3
02850	3-5, 3-7, 3-3	1002447	2-39	1014993	3-11
02942	2-13, 2-15, 2-17, 2-19, 2-43, 3-21, 3-25, 3-29	1002603	3-15	1015042	3-5, 3-7, 3-3
04400	2-21	1002660	2-39	1017015	2-3, 3-3, 3-5, 3-7, 3-3
04843	2-11	1002750	3-3	1017022	2-3, 3-7, 3-3
05283	2-43	1002789	3-13	1017079	3-31
05720	2-15, 2-17, 2-19, 3-21, 3-25, 3-29	1002898	3-3, 3-5, 3-7, 3-3	1017218	2-11
05724	2-7	1002899	3-3, 3-5, 3-7, 3-3	1018718	2-43
05726	2-7	1005086	3-13	1019242	3-31
06922	2-33	1005199	3-3	1019314	3-11
06923	2-41	1005218	3-15	1019440	3-11
06942	3-19, 3-23, 3-27	1005219	3-15	1019563	2-23
06945	3-3, 3-5, 3-3	1005255	3-3, 3-5, 3-7, 3-3	1020364	3-13
06947	2-35	1005304	3-15	1020542	3-7
06948	2-41	1005318	3-15	1021045	3-3
06980	2-21	1005327	3-3	1022252	3-29
07786	2-13, 2-43	1005335	3-17	1022253	3-25
07791	2-37	1005388	3-15	1022254	3-21
07810	3-19, 3-23, 3-27	1005413	3-7	1025065	3-19, 3-23, 3-27
08178	2-43	1005416	3-17	1028487	3-3, 3-5, 3-7
08346	2-15, 2-17, 2-19, 3-21, 3-25, 3-29	1005425	3-17	1028578	3-13
		1005435	3-3, 3-5, 3-7, 3-3	1029425	2-15, 2-17, 2-19
		1005506	3-15	1029426	3-21, 3-25, 3-29
		1005507	3-15	1031375	3-7
		1005508	3-15	10632-13	2-39
		1005510	3-15	10925	4-3, 4-5, 4-6, 4-7, 4-10, 4-11
		1005522	3-15	10926	4-3, 4-5
		1005564	3-13	11109	2-11
		1005630	3-15	11117	4-9
		1005739	3-3	11329	2-41
		1005866	3-15	11399	2-21, 2-23
		1006132	3-3	11531	2-23
				11635	3-11
				11636	3-32
				11756	4-3

CROSS REFERENCE

Part Number	Page Number	Part Number	Page Number	Part Number	Page Number
11771	2-9	222139	2-41	222312	2-9
11772	2-9	222151	2-21, 2-23	222320	2-5
11773	2-9	222158	2-39	222321	2-5
11777	2-9	222159	2-39, 3-7	222322	2-5
11778	2-9	222167	3-21	222324	2-5
11780	2-9	222176	3-19, 3-23, 3-27	222325	2-5
11781	2-9	222177	3-19, 3-23, 3-27	222326	2-5
12273	2-11, 2-13, 2-21, 2-23, 2-25, 2-27, 3-11	222178	2-3, 3-21, 3-25, 3-29	222327	2-5
12317	2-15, 2-17, 2-19	222179	3-21, 3-25, 3-29	222361	2-27
12333	2-11, 2-25, 2-39	222180	3-19, 3-23, 3-27	222363	2-15, 2-17, 2-19, 3-21, 3-25, 3-29
13248	2-39	222182	3-19, 3-23, 3-27	222368	2-45
140148	3-21, 3-25, 3-29	222184	3-19, 3-23, 3-27	222371	2-11, 4-9, 4-10
14432	2-21	222185	2-29, 2-31	222378	2-45
14838	2-5, 2-7, 2-9	222186	2-29, 2-31	222381	2-3, 2-45
150525	3-5, 3-7, 3-3	222188	2-31	222382	2-3, 2-45
15539	2-5, 2-7, 2-9	222190	2-29, 2-31	222383	2-21
15675	2-21, 2-23, 2-27, 2-29, 2-31, 2-37	222194	2-21, 2-23	222384	2-3, 2-47
15678	2-41, 3-19, 3-23, 3-27	222196	2-13, 3-21, 3-25, 3-29	222385	2-3, 2-45
16944	2-39, 3-7, 3-17	222197	2-15, 2-17, 2-19, 3-21, 3-25, 3-29	222386	2-3, 2-47
17363	2-27, 4-3	222203	3-21	222387	2-3, 2-45
18627	4-3	222204	3-25	222388	2-3, 2-47
18628	4-3, 4-5	222205	3-29	222389	2-3, 2-45
18630	4-3	222207	2-15, 2-17, 2-19, 3-21, 3-25, 3-29	222391	2-3, 2-45
18631	4-3	222209	3-19, 3-23, 3-27	222392	2-3, 2-47
19064	2-41	222210	2-13	222399	2-43
19065	3-3, 3-5, 3-7, 3-3	222217	2-33	222400	2-41
20170	2-39	222218	2-33	222402	2-41
20178	3-21, 3-25, 3-29	222221	2-15	222403	2-3, 2-15, 2-17, 2-19
20395	2-27	222222	2-17	222404	2-15, 2-17, 2-19
20536-2	4-7	222223	2-19	222405	2-15, 2-17, 2-19
21765	4-3	222227	2-41	222406	2-25
21775	4-12, 4-13	222230	2-43	222412	2-49
21776	4-12, 4-13	222231	2-43	222413	2-3, 2-49
222027	2-13	222233	2-43	222414	2-3, 2-49
222028	2-13	222236	2-43	222415	2-3, 2-49
222034	2-13	222239	2-43	222416	2-3, 2-49
222035	2-11	222240	2-47	222417	2-49
222036	2-11	222241	2-3, 2-47	222422	2-3, 2-45
222039	2-11	222242	2-3, 2-47	222423	2-3, 2-47
222054	2-13	222243	2-47	222424	2-3, 2-49
222055	2-15, 2-17, 2-19	222244	2-45, 2-47, 2-49	222428	2-3, 2-45
222066	2-3, 2-45, 2-47, 2-49	222245	2-45, 2-47, 2-49	222429	2-3, 2-47
222079	2-35	222248	2-37	222433	2-3, 2-49
222081	2-35	222260	2-45, 2-47, 2-49	222434	2-3, 2-49
222083	2-35	222267	2-37	222435	2-3, 2-49
222097	2-31	222268	2-45, 2-47, 2-49	222448	2-41
222099	2-13	222280	2-33	222450	2-39
222104	2-39	222282	2-37	222460	2-25, 2-41, 2-43
222115	2-37	222290	2-59, 3-17	222462	2-25
222120	2-25	222304	2-5	222463	2-25, 2-29, 2-31
222121	2-25	222305	2-5	222465	2-35
222122	2-27	222306	2-5	222466	2-29, 2-31
222130	2-45, 2-47, 2-49	222307	2-7	222467	2-11
222131	2-45	222308	2-7	222468	2-43
222134	2-47	222309	2-7	222469AM	2-11
222138	2-41	222310	2-9	222470	2-21
		222311	2-9	222472	2-39
				222473	2-33, 3-30
				222474	2-33

CROSS REFERENCE

Part Number	Page Number	Part Number	Page Number	Part Number	Page Number
222496	2-15, 2-17, 2-19, 2-45, 2-47, 2-49	222820	3-19, 3-23, 3-27	36643	2-15, 2-17, 2-19, 3-21, 3-25, 3-29
222497	2-45, 2-47, 2-49	222822	2-21, 2-23	368591	2-37
222501	2-35	222824	3-21	369460	3-19, 3-23, 3-27
222504	2-13	222825	3-25	370091	2-5
222516	2-21, 2-23, 2-25	222826	3-29	370092	2-7
222517	2-21	222838	2-15, 2-17, 2-19, 3-21, 3-25, 3-29	370093	2-9
222523	3-21, 3-25, 3-29	222846	3-30	370095	2-5, 2-7, 2-9
222527	2-25	222867	2-41	370100	2-37, 2-45, 2-47, 2-49
222529	2-25	222868	2-41	370113	2-21, 2-23
222535	2-15, 2-17, 2-19	222877	4-7	374003	4-10, 4-11
222536	2-15, 2-17, 2-19, 3-21, 3-25, 3-29	22297	2-23	374004	4-7
222578	2-60	223264	2-27, 4-3, 4-5	374005	4-6
222599	4-9	223400	3-29	374006	3-21, 3-25, 3-29
222606	4-6	223560	3-19, 3-23, 3-27	374014	3-31, 4-12
222607	2-35	223561	3-19, 3-23, 3-27	374015	3-31, 4-13
222617	4-6	223563	3-19, 3-23, 3-27	374017	4-12
222618	4-6	223564	3-19, 3-23, 3-27	374018	4-12
222622	4-10	223566	3-19, 3-23, 3-27	374019	4-12, 4-13
222625	4-7, 4-10, 4-11	223568	3-19, 3-23, 3-27	374020	4-12
222629	4-7, 4-10, 4-11	223569	3-19, 3-23, 3-27	374021	4-12
222634	4-10	223641	3-30	374022	4-12
222635	4-7, 4-10	23996	2-15, 2-17, 2-19	374023	4-12, 4-13
222637	4-7, 4-10	24299	2-5, 2-7, 2-9	374025	4-13
222638	4-10	24537	4-6, 4-7, 4-10, 4-11	374026	4-13
222639	2-37	24881	2-33, 4-12, 4-13	374027	4-13
222640	4-9	27974	2-35	374028	4-13
222641	4-9	29558	2-13	374029	4-13
222647	2-41	30013	2-21, 2-23, 2-25, 2-37	374030	4-13
222648	2-35	30241	2-7	374041	2-5
222656	4-9	30324	2-21	374042	2-7
222657	4-9	30406	2-11, 2-15, 2-17, 2-19	374043	2-9
222658	4-9	30407	2-13	374053	4-9
222659	4-9	32483	2-35	374054	4-9
222660	4-9	32486	2-45, 2-47, 2-49, 3-21, 3-25, 3-29	374055	4-9
222661	4-9	32490	2-15, 2-17, 2-19, 2-29	374057	4-9
222665	2-41	32515	2-29, 2-31	374058	4-9
222666	2-59	32662	2-11, 2-15, 2-17, 2-19, 3-21, 3-25, 3-29	374059	2-21
222667	2-27	32713	2-15, 2-17, 2-19	374060	2-21, 2-23
222669	3-21, 3-25, 3-29	32746	2-5, 2-7, 2-9	374082	3-19, 3-23, 3-27
222670	3-21, 3-25, 3-29	32968	2-37	374111	2-21
222682	2-33	32980	2-39	374162	3-21, 3-25, 3-29
222683	2-37	32984	2-39	374175AM	3-27
222684	2-37	32988	2-35	374221	2-59
222689	2-25	330450	3-33	374265AM	2-11, 4-9, 4-11
222712	2-25	330452	3-33	374271	4-11
222713	2-25	330453	3-33	374360	3-33
222728	2-29, 2-31	330710	3-33	374361	3-33
222740	2-35	33342	2-21	374745	2-41
222742	2-29, 2-31	33943	2-15, 2-17, 2-19	374752	2-31
222751	3-19, 3-23, 3-27	34738	2-41	374753	2-31
222752	3-19, 3-23, 3-27	35709	2-15, 2-17, 2-19	374754	2-29
222768	2-37, 2-39	360460	2-43	375056	4-9
222777	3-30			375175AM	3-19, 3-23, 4-7
222778	2-33			375176	4-7
222788	2-21			375177	4-7
222793	2-21, 2-23, 2-27			375178	4-7
222794	2-45, 2-47, 2-49			375179	4-7
222818	3-19, 3-23, 3-27			375195	3-19, 3-23, 3-27

CROSS REFERENCE

Part Number	Page Number	Part Number	Page Number	Part Number	Page Number
377324	2-37	397794	3-21, 3-25, 3-29	49162	3-3, 3-5, 3-7, 3-13, 3-3
377333	3-19, 3-23, 3-27	397805	2-11	49186	3-15
377349	2-23	397813	2-15, 2-17, 2-19	49263	2-27
377374	2-15, 2-17, 2-19	397815	2-15, 2-17, 2-19, 4-6	49266	2-27, 2-29, 2-31, 2-39
377433	2-37	397816	2-15, 2-17, 2-19	49514	2-35
377505	3-19, 3-23, 3-27	397817	2-15, 2-17, 2-19	49694	2-45, 2-47, 2-49
378983	4-3	397818	2-13	49826	2-13
379000	2-37	397820	2-43	49883	2-43
37909	4-3	397821	2-43	50682	3-21, 3-25, 3-29
37912	4-3, 4-5	397822	2-43	50895	3-13
379202	3-19, 3-23, 3-27	397826	2-45, 2-47, 2-49	51534	3-21, 3-25, 3-29
37926	4-3	397828	2-15	51564	2-13, 3-21, 3-25, 3-29
37929	4-3, 4-5	397832	2-17	51787	2-11
383721	2-37, 3-17	397836	2-19	54333	2-29, 2-31, 3-9, 3-11
383724	2-37	397889	2-37, 3-17	56992	2-37
383725	2-37	397914	2-5	57048	2-15, 2-17, 2-19
383731	2-39	397916	2-7	57889	2-41
388485	4-9	397918	2-9	59156	2-15, 2-17, 2-19, 3-21, 3-25, 3-29
388499	4-9	397974	2-5	59849	2-15, 2-17, 2-19
39005	2-45, 2-47, 2-49	397976	2-7	60386	4-3, 4-5
390996	3-19, 3-23, 3-27	397978	2-9	61297	4-3, 4-5
391330	3-25	398030	3-32	61298	4-3
391433	3-15	398311	2-11	61300	4-3, 4-5
391449	3-3, 3-5, 3-7, 3-3	398440	2-21, 2-23	613735	3-5, 3-7, 3-3
391451	3-17	398446	2-21, 2-23	61456	3-13
392206	2-49	398477	3-33	61598	2-11
392211	2-49	398485	2-25	63184-4	2-29
392221	2-49	398511	4-5	63185	3-21, 3-25, 3-29
39312	2-15, 2-17, 2-19, 3-21, 3-25, 3-29	398512	4-5	63245-1	3-9
39349	2-39	398513	4-5	63248-1	2-7
397255	3-21, 3-25, 3-29	398514	4-5	63248-2	2-7
397705	2-25	398515	4-5	63248-3	2-7
397707AM	2-11, 4-9	398516	4-5	63248-4	2-7
397716	2-37	398517	4-5	63735	2-33
397717	2-37	398518	4-5	63810	2-29, 2-31
397721	2-13	398519	4-5	64743	3-11
397729	2-60	398520	2-27, 4-5	65630	4-12, 4-13
397729	2-60	398526	2-39, 3-17	65954	4-12
397735	2-59	398850	2-21	67767	3-7
397736	2-35	40678	2-27	69234	2-21, 2-23
397740	2-17	41178	2-39, 2-41	71026	2-39
397744	2-19	41186	2-11, 2-15, 2-17, 2-19	71539	3-17
397745	2-15	41187	2-15, 2-17, 2-19	74077	3-19, 3-23, 3-27
397749	2-47	41360AM	3-19, 3-23, 3-27	74455	3-21, 3-25, 3-29
397750	2-49	41579	2-5, 2-7, 2-9	75611	2-21, 2-23, 2-25
397751	2-45	42368	3-3	76099	3-11, 3-19, 3-21, 3-23, 3-25, 3-27, 3-29
397758	2-60	43242	2-29, 2-31	76888	2-37
397760	2-37	43454	2-29, 2-31	769251	2-39
397761	2-37	43500	2-11	79273-1	3-13
397763	2-3, 2-17	43555	3-15	79273	3-15
397765	2-13	43844	3-3, 3-13, 3-15	79484	3-13
397766	2-13	44906	2-13	79506	2-41
397768	2-13	44961	2-15, 2-17, 2-19, 3-19, 3-23, 3-27	80950	2-43
397769	2-3, 2-15	45261	2-15, 2-17, 2-19, 3-21, 3-25, 3-29	82138	2-3, 2-45, 2-47, 2-49
397771	2-3, 2-19	45405	2-39		
397777	2-31	45962	2-33		
397779	2-15, 2-17, 2-19	49047	2-39		
397780	2-15, 2-17, 2-19				
397785	2-39				
397787	2-31				

CROSS REFERENCE

Part Number	Page Number
86509	2-29
86866	2-13
87435	2-33
9000548	3-3
9001054	3-31
9001055	3-31
9002021	2-3,3-7
9002023	2-15, 2-17, 2-19
9002024	3-21, 3-25, 3-29

PART DESCRIPTION TO PAGE NUMBER CROSS REFERENCE LIST

A

A.C.Strain Relief, 4-12, 4-13
 Actuator, 36vdc, 5.25strk 600lb, 2-13
 Adaptor, Brush, 2-5, 2-7, 2-9
 Angle, Head, Cyl, 700mm, 3-11
 Angle, Head, Cyl, 800mm, 3-11
 Arm, Lift, Head, 2-13
 Armature, 4-3, 4-5

B

Band Wldt, Sqge 28, 2-45
 Band Wldt, Sqge 32, 2-47
 Band Wldt, Sqge 36, 2-49
 Bar, Support, 3-19, 3-23, 3-27
 Battery Kit 36V 235Ah Wet, 2-33
 Battery Kit 36V 335Ah Wet, 3-30
 Battery, 6V, Res Cap: 129 Wet, 2-33
 Battery, 6V, Res Cap:196 Wet, 3-30
 Bearing & Seal Kit, 4-10
 Bearing Kit, Motor, Ele, 4-11
 Bearing, Ball, 0.59b 1.26d 0.35w, 3-19
 Bearing, Drive End, 4-7
 Bearing, Snap .875 Bore, 2-35
 Bearing-Ball,0.59B 1.26D 0.35W, 3-23, 3-27
 Bearing, 4-3, 4-5, 4-6, 4-7, 4-9, 4-10
 Belt, Replmt, Brush Drive, F/222201, 3-19, 3-23, 3-27
 Blade, Sqge Front,32" Oil Rst, 2-47
 Blade, Sqge, Front 28" Oil Rst, 2-45
 Blade, Sqge, Front, 28", Oil Rst, 2-3
 Blade, Sqge, Front, 32", Oil Rst, 2-3
 Blade, Sqge, Front, 36", Oil Rst, 2-3
 Blade, Sqge, Front, 36"Oil Rst, 2-49
 Blade, Sqge, Rear 28"Oil Resis, 2-45
 Blade, Sqge, Rear 32" Oil Resi, 2-47
 Blade, Sqge, Rear 36" Oil Rst, 2-49
 Blade, Sqge, Rear, 28", Oil Rst, 2-3
 Blade, Sqge, Rear, 32", Oil Rst, 2-3
 Blade, Sqge, Rear, 36", Oil Rst, 2-3
 Blade, Sqge,Rear,Gum, 28", 2-3
 Blade, Sqge,Rear,Gum, 32", 2-3
 Blade, Sqge,Rear,Gum, 36", 2-3
 Blade, Squeegee, Rear Gum, 36", 2-49
 Blade, Squeegee, Rear, Gum 28", 2-45
 Blade, Squeegee, Rear,Gum 32", 2-47
 Blade, Squeegee, Tile 28", 2-45
 Blade, Squeegee, Tile, 32", 2-47
 Blade, Squeegee, Tile, 36", 2-49
 Blade, Squeegee,Front, 28", 2-3, 2-45
 Blade, Squeegee,Front, 32", 2-3, 2-47
 Blade, Squeegee,Front, 36", 2-3, 2-49
 Blade, Squeegee,Rear, 28", 2-3, 2-45
 Blade, Squeegee,Rear, 32", 2-3, 2-47
 Blade, Squeegee,Rear, 36", 2-3, 2-49
 Blade, Squeegee,Tile, 28", 2-3
 Blade, Squeegee,Tile, 32", 2-3
 Blade, Squeegee,Tile, 36", 2-3
 Block, Mach, Pivot, 2-43
 Block, Sqge, Adj, 2-43

Bolt Kit, Shld, F/ 10964, Replmt, 2-15, 2-17, 2-19
 Bolt Kit, Shld, F/ 45960, Replmt, 3-21, 3-25, 3-29
 Bolt, Carriage, .31-18 X 2.00, 2-37
 Boot, 90Deg .50D .57X .84, 2-33
 Bracket Wldt, Bar, Spray, 800mm, 3-11
 Bracket Wldt, Bar, Spray, 700mm, 3-11
 Bracket, Bar, Spray, 3-11
 Bracket, Catch, 2-41
 Bracket, Fan End, 4-3, 4-5
 Bracket, Guide, Roller, 2-13
 Bracket, Head, Actuator, 2-15, 2-17, 2-19
 Bracket, Hose Guide, 3-21, 3-25, 3-29
 Bracket, Linkage, Lower, 2-43
 Bracket, Linkage, Upper, 2-43
 Bracket, Mounting, Motor, 3-19, 3-23, 3-27
 Bracket, Mounting, Roller, 3-21, 3-25, 3-29
 Bracket, Mounting, Vac Fan, 2-27
 Bracket, Mtg, Actuator, 2-13
 Bracket, Mtg, Isolator, 2-11
 Bracket, Mtg, Spring, 3-21, 3-25, 3-29
 Bracket, Mtg, Transaxle, 2-11
 Bracket, Mtg, Valve, 2-31
 Bracket, Mtg, Wheel, 2-45, 2-47, 2-49
 Bracket, Pivot, 2-15, 2-17, 2-19, 3-21, 3-25, 3-29
 Bracket, Prop, Arm, 2-25
 Bracket, Roller Guide, 2-13
 Bracket, Shield, 3-19, 3-23, 3-27
 Bracket, Shroud, Adj, 2-37
 Bracket, Spring Retainer, 2-5, 2-7, 2-9
 Bracket, Switch, Fan, 2-41
 Brg&Seal Kit, 4-9
 Brkt Wldt, Box, Dtrgt, 3-3, 3-5, 3-7, 3-3
 Brkt, Pump, Solution, 3-15
 Brush Holder Cap, 4-10, 4-11
 Brush Kit, 4-6, 4-10, 4-11
 Brush Mechanism, 4-3, 4-5
 Brush, Scb, 28l, 18 Sr, Abr, Spl, 2-5
 Brush, Scb, 28l, 18 Sr, Nyl, Spl, 2-5
 Brush, Scb, 28l, 18 Sr, Pyp Grout, Spl, 2-5
 Brush, Scb, 28l, 18 Sr, Pyp, Spl, 2-5
 Brush, Scb, 32l, 18 Sr, Abr, Spl, 2-7
 Brush, Scb, 32l, 18 Sr, Nyl, Spl, 2-7
 Brush, Scb, 32l, 18 Sr, Pyp Grout, Spl, 2-7
 Brush, Scb, 32l, 18 Sr, Pyp, Spl, 2-7
 Brush, Scb, 36l, 18 Sr, Abr, Spl, 2-9
 Brush, Scb, 36l, 18 Sr, Nyl, Spl, 2-9
 Brush, Scb, 36l, 18 Sr, Pyp Grout, Spl, 2-9
 Brush, Scb, 36l, 18 Sr, Pyp, Spl, 2-9
 Brush-Disk Scr 14 D-Assy-Ab, 2-5
 Brush-Disk Scr 14 D Assy-Nylon, 2-5
 Brush-Disk Scr 14 D Assy-Poly, 2-5
 Brush-Disk Scr 16 D Assy Poly, 2-7
 Brush-Disk Scr 16 D-Assy-Nyl, 2-7

Brush-Disk Scr 16 D-Assy-S Ab, 2-7
 Brush-Disk Scr 18 D Assy Nylon, 2-9
 Brush-Disk Scr-18 D Assy Ab, 2-9
 Brush-Disk Scr-18 D-Assy-Poly, 2-9
 Bumper, Handle, 2-41
 Bumper, Rbr, 2-11
 Busbar, Contactor, 2-39
 Bushing, Flng, 0.32b 0.50d 0.26l, Bnz, 2-43
 Bushing, Flng, 0.63b 0.72d 0.25l, 2-11
 Bushing, Flng, 0.75b 1.00d 0.28l, Bnz, 2-41
 Bushing, 4-9
 Button, Plug, 0.22h .00-.06 [Black Nyl], 2-37
 Button, Plug, 0.38h .03-.12 [Black Nyl], 2-39
 Button, Plug, 0.50h .03-.12 [Black Nyl], 2-37
 Button, Plug, 1.25h .00-.12 [Black Nyl], 2-37

C

Cable, .06d, 06.8l, .25ball/.25ball, 2-27
 Cable, .13d, 26.7l, .50eye /.25eye, 2-41
 Cable, Battery, 2-33
 Cable, Push/Pull, 51.5L, 1.3 .075, 2-31
 Cam, Adj, Sqge, 2-45, 2-47, 2-49
 Cam, Switch, Fan, 2-41
 Cap, Battery, 3-30
 Cap, Brush Holder, 4-7
 Cap, Drain Assembly, 2-23
 Cap, Oil, 4-9
 Caster, 5.0 D Wheel, 2-11
 Cd-Rom, Oprtr, Training [5680], 3-33
 Chain, Coil, Str, #210, 09.0l 07 Link, 2-11
 Channel, Mtg, Actuator, 2-13
 Channel, 3-21, 3-25, 3-29
 Charger 36V/20A/60Hz/1Ph/115V, 4-12
 Charger 36V/30A/60Hz/1Ph/115V, 4-13
 Charger Kit, Battery, Ci [Domestic], 3-31
 Charger Kit, Ci [Export/Euro/Asai], 3-31
 Charger, 36V/20A/60H/1Ph/115V, 3-31
 Charger, 36V/30A/60H/1Ph/115V, 3-31
 Circuit Breaker 15A, 4-12
 Circuit Breaker 20A/AC, 4-13
 Circuit Breaker, 4-12
 Circuitbreaker, 10.0a, 2-37, 3-17
 Circuitbreaker, 25.0a, 2-37
 Circuitbreaker, 30.0a, 2-37
 Clamp, Cable, 1.00D 0.62W Stl, 2-21, 2-23
 Clamp, Cable, Ribbon, 1.25w 0.25h Plstc, 2-59
 Clamp, Cable, Stl, 0.69d X 0.62w, 1h, 3-7
 Clamp, Hose, 6.35mm I.D., 3-3
 Clamp, Hose, Wir, .29 - .31 [Dbl Wire], 3-7

CROSS REFERENCE

Clamp, Hose, Wire, .40 - .42, 3-5, 3-7, 3-3
Clamp, Hose, Wormdrive, 0.25-0.62D, .31W, 3-13
Clamp, Hose, Wormdrive, 0.25-0.62d, 3-3, 3-13, 3-15
Clamp, Hose, Wormdrive, 0.31-0.88d, .31w, 3-11
Clamp, Hose, Wormdrive, 0.31-0.88D, 3-9
Clamp, Hose, Wormdrive, 0.31-0.88d, 2-29, 2-31
Clamp, Hose, Wormdrive, 0.56-1.06d, .56w, 2-29, 2-31
Clamp, Hose, Wormdrive, 1.06-2.00d, 2-23
Clamp, Hose, Wormdrive, 1.56-2.50d, 2-23
Clamp, Hose, Wormdrive, 1.62-3.50d, 3-15
Clamp-Cable, 0.44D 0.62W, 2-27
Clamp-Wormdrive, 0.81- 1.50D, 2-21, 2-23
Clamp-Wormdrive, 1.81- 2.75D, 2-21
Clamp, 4-3
Clip, Hose, Hanger, 2-21, 2-23, 2-27
Clip, Keeper, Open, 2-13
Clip, Keeper, 2-11, 2-15, 2-17, 2-19
Clip, 4-9
Comm. Bracket, 4-3, 4-5
Connector, 2 Conductor, 4-3, 4-5, 4-10, 4-11
Connector, 2-Conductor, 4-7
Connector, Fem, 2cav [Mp630 Sealed], 4-6
Connector, Grey, SB50, 2-33, 4-12, 4-13
Contactor, 36vdc, No, 2-39
Contactor, 36vdc, 2-39
Control Circuit 36V/30A, 4-13
Control Circuit, 4-12
Controller, Propel, 40 Amp, 2-39
Cord Assy A.C., 4-12, 4-13
Cord Assy D.C., 4-12, 4-13
Cord, Ele, Chrgr [European], 3-31
Cord, Ele, Chrgr [Onboard], 3-31
Coupling, Fem, W/ Valve, .25 Brb, 3-3, 3-5, 3-7, 3-3
Coupling, Mal, .25 Npt, 3-3, 3-5, 3-7, 3-3
Cover, Ele, Lh, 2-37
Cover, Ele, Rh, 2-37
Cover, Electronic Board, 2-39
Cover, Front, Trim, [5700 Cyl], 3-21, 3-25, 3-29
Cover, Front, 2-21, 2-23
Cover, Head, Scrbr, Disc [28], 2-15
Cover, Head, Scrbr, Disc [32], 2-17
Cover, Head, Scrbr, Disc [36], 2-19
Cover, Solution Tank, w/Label, 2-25
Cover, Terminal, Poly, 2-33

D

D.C. Strain Relief, 4-12, 4-13
Debris Tray Kit, 28 in, 3-21
Debris Tray Kit, 32 in, 3-25
Debris Tray Kit, 36 in, 3-29
Detergent Pkg, 2 Liter, Sgl, 365, 2-3, 3-3, 3-5, 3-7, 3-3
Detergent Pkg, 2 Liter, Sgl, 665, 2-3, 3-7, 3-3
Detergent, 2 Liter [Fast 965], 2-3, 3-7
Device, Centering, 2-5, 2-7, 2-9
Diode, Ele, Plug, 3-17
Diode, Elec, Plug (FaST), 2-59
Diode, Elec, Plug, 2-59
Disc, 4-3
Disk, Pad Driver, W/ Face, 14d, 2-5
Disk, Pad Driver, W/ Face, 16d, 2-7
Disk, Pad Driver, W/ Face, 18d, 2-9
Door Assy, Brush, 3-19, 3-23, 3-27
Door, Brush, 3-19, 3-23, 3-27
Door, Scb Head, Lh, 2-15, 2-17, 2-19
Door, Scb Head, Rh, 2-15, 2-17, 2-19
Driver Assy, Pad, 14d, 2-5
Driver Assy, Pad, 16d, 2-7
Driver Assy, Pad, 18d, 2-9

E

End Ass'y, Brush, 4-10, 4-11
Endbell, Brush End, Motor-Ele, 4-7

F

Fan, Vac (See Breakdowns), 2-27
Fan, Vacuum, 4-3, 4-5
Fan, 4-3, 4-5
Filter Assy, Air, Molded Ure, 3-3, 3-5, 3-7, 3-3
Filter, Foam, 3-13
Filter, Inline, Pf08/Pf08, 80 Mesh, 3-15
Filter, Vac Fan, 2-21, 2-23
Fitting, Brs, E90, Cf03/Pf02, 3-5, 3-7, 3-3
Fitting, Brs, Str, Pm02/Bm04, 3-5, 3-7, 3-3
Fitting, Plstc, Body, Spray, Pf04, 3-15
Fitting, Plstc, Cap Assy, 0.040b, Pf04, 3-15
Fitting, Plstc, Cap, Spray, Pf04, 3-15
Fitting, Plstc, Cvalve, Bm03/Bm03, 3-3
Fitting, Plstc, E90, Bm06/Pm02, Nyl, 3-13
Fitting, Plstc, E90, Bm06/Pm06, Nyl, 3-15
Fitting, Plstc, E90, Bm06/Pm12, Nyl, 3-13
Fitting, Plstc, E90, Bm08/Pm08, 2-29
Fitting, Plstc, E90, Pf06/Pm06, Nyl, 3-15
Fitting, Plstc, Pf12/Pf12, Bh, 2-23
Fitting, Plstc, Piep, Cap, Pf04, 3-3, 3-5, 3-7, 3-3
Fitting, Plstc, Str, Bm03, 1/4-28, Kynar, 3-3

Fitting, Plstc, Str, Bm06/Pm04, 3-15
Fitting, Plstc, Str, Bm06/Pm08, 3-15
Fitting, Plstc, Str, Bm08/FIng, 2-29, 2-31
Fitting, Plstc, Str, Bm08/Pm06, 3-11
Fitting, Plstc, Str, Bm08/Pm12, 3-13
Fitting, Plstc, Str, Pm04/Pm06, 3-15
Fitting, Plstc, Str, Pm08/Pm12, 3-15
Fitting, Plstc, Tee, Bm06/Bm03/Bm06, 3-13
Fitting, Plstc, Tee, Bm06/Bm04/Bm06, 3-13
Fitting, Plstc, Tee, Bm06/Bm06/Bm08, 2-15, 2-17, 2-19
Fitting, Plstc, Tee, Bm08/Bm08/Bm08, 3-9
Fitting-Plastic Tee 06Bm/06Bm/, 3-21, 3-25, 3-29
Frame, Main [5700], 2-11
Frame, Sqge 28", 2-45
Frame, Squeegee 32", 2-47
Frame, Squeegee 36", 2-49
Ftg-Plug Npt 12Pm Rd Hd Plstc., 2-21, 2-23, 2-25
Fuse, D.C. 80Amp, 4-13

G

Gasket, Hourmeter, 2-37
Gasket, Shield, 3-19, 3-23, 3-27
Gasket, Tank, Front, 2-25
Gasket, Tank, Rear, 2-25
Gauge Kit, Hourmeter, F/31988 [10k], 2-37
Gauge, Battery, 36vdc, 2.1 X 1.2, 2-37
Gauge, Hourmeter, 12-80vdc, Analog, Rt., 1, 2-37
Gear, 28 T. 24P, 2-35
Gear, Speed Control, 2-35
Gearbox, Motor, 4-6
Grip, Handle [Oblong], 2-41
Grip, Handle, Round, 2-35
Grip, Handle, 2-29, 2-31
Grommet, Rbr, 1.50id, F/ 1.8h, .31matl, 2-39
Guard, Belt, Lh, 3-19, 3-23, 3-27
Guard, Belt, Rh, 3-19, 3-23, 3-27

H

Handle, Speed Control, 2-35
Harness, Cable, Battery, 2-33
Harness, Main, [5680], 2-59
Harness, Motor, Brush, 3-19, 3-23, 3-27
Harness, Switch, Potentiometer, 2-35
Head, Pump, Kit, 3-15
Hinge Leaf, 2-25
Hinge Wldt, Leaf, Rear, 2-25
Hinge Wldt, Leaf, 2-25
Hose & Cuff Assy, Drain .5ld 27.5L, 2-21
Hose & Cuff Assy, Vacuum 1.51D 32L, 2-21, 2-23

Hose, Afrmkt Replmt, Brd, 0.38id 3Ft, 3-13, 3-15
 Hose, Afrmkt Replmt, Clr, 0.19id 3Ft, 3-3
 Hose, Afrmkt, Pvc, Clr 0.25id 8ft, 3-5, 3-7, 3-3
 Hose, Afrmkt, Replmt, Brd, 0.50ld 3Ft, 3-9, 3-11
 Hose, Assembly, Drain, 25.7, 2-23
 Hose, Assembly, Drain, 26.7, 2-23
 Hose, Drain, Flex, 2-21, 2-23
 Hose, Drain, Tank, Solution, 2-21
 Hose, Inlet Recovery Tank, 2-27
 Hose, Pvc, Clr, 0.38id 0.56od 08.00l, 2-15, 2-17, 2-19
 Hose, Pvc, Wir, 0.50id 0.75od 27.00l, 2-29
 Hose, Pvc, 2-31
 Hose, Rbr, E90, 0.62ID 0.81ID (Valve), 2-31
 Housing, Cntrl Lever, 2-29, 2-31
 Housing, Cyl, Mach, 700mm, 3-21
 Housing, Cyl, Mach, 800mm, 3-25
 Housing, Cyl, Mach, 900mm, 3-29
 Housing, 4-3, 4-5
 Hub, Drive, Brush, Disk, 0.75b 6t, 2-15, 2-17, 2-19

I

Instr, Mach, Wall Chart [5680], 3-33
 Insulator, Rbr, Flt, Busbar, 2-39
 Isolator, Vib, Transaxle, 2-11

K

Key Square 0.25 0.25 01.00 Lg, 4-6
 Key, Set Of Two, 2-37
 Key, Sq, 0.12 X 0.12, 01.00l, 4-7
 Key, Sq, 0.25 X 0.25, 00.75l, 2-15, 2-17, 2-19
 Kit, Brace, 4-7
 Kit, Brush, 4-7
 Kit, Ci, Demo, [5680], 3-32
 Kit, Ci, Head, Scrbr, [5680] [700d], 2-15
 Kit, Ci, Head, Scrbr, [5680] [800d], 2-17
 Kit, Ci, Head, Scrbr, [5680] [900d], 2-19
 Kit, Ci, Replmt, Rear Panel, [5680], 2-37
 Kit, Ci, Skirt, 700 mm, [5680], 2-15
 Kit, Ci, Skirt, 800 mm, [5680], 2-17
 Kit, Ci, Skirt, 900 mm, [5680], 2-19
 Kit, Ci, Sol Valve [5680], 2-29
 Kit, Ci, Sqge, Assy, [5680] [700d], 2-45
 Kit, Ci, Sqge, Assy, [5680] [800d], 2-47
 Kit, Ci, Sqge, Assy, [5680] [900d], 2-49
 Kit, Gear, Differential, 4-9
 Kit, Motor Bearing, 4-7
 Kit, Repair, Diaphragm, Air Compressor, 3-3, 3-5, 3-7, 3-3
 Kit, Replmt, Sqge Frame, F/222411, 2-49
 Knob, 4 Prongs w/.31-8 Insert, 2-45, 2-47, 2-49
 Knob, 4-Prong W/.31-18, Insert, 2-37

Knob, M08 X 1.25 Insert, 2-21
 Knob, W1.25-20X1.5Lg Stud, 2-45, 2-47, 2-49

L

Label Set, Fast [5680], 3-17
 Label Set, Info & Hzd 5700, 2-60
 Label Set, Orerntnl, [5680], 2-60
 Label, Attention, Fast, 3-17
 Label, Fast [5680], 3-17
 Label, Numerals, [5680], 2-60
 Label, Switch, Fast [5680], 3-17
 Latch, Draw, Flexible, 3-32
 Lever, Control, 2-29, 2-31
 Lever, Squeegee Lift, Upper, 2-41
 Lever, Squeegee Lift, 2-41
 Lever, Valve, 2-31
 Link, Sqge, Lower, Lh, 2-43
 Link, Sqge, Lower, Rh, 2-43
 Link, Sqge, Upper, Lh, 2-43
 Link, Sqge, Upper, 2-43
 Lip, Debris Tray, 28", 3-21
 Lip, Debris Tray, 32", 3-25
 Lip, Debris Tray, 36", 3-29

M

Manifold, 3-13
 Manual Oprtr, [5680 Ele Es Na], 3-33
 Manual Oprtr, [5680 Ele Fr Na], 3-33
 Manual Pkg, [5680 Ele Na], 3-33
 Manual, Cd-Rom, Oprtr & Parts, All (NA), 3-33
 Manual, Service, 3-33
 Module, Delay, 2-39
 Module, Timer, Detergent, 36v, 3-3
 Motor Assy, Ele, 36V, 0.75Hp, 1700Rpm (See Breakdowns), 3-19, 3-23, 3-27
 Motor Assy, Ele, 36Vdc, 0.75Hp, 1700Rpm, 4-7
 Motor, Ele, 36vdc .75hp Gear (See Breakdowns), 2-15, 2-17, 2-19
 Motor, Ele, 36vdc .50hp 1900rpm (Replaced By 374265) (See Breakdowns), 2-11
 Motor, Ele, 36vdc 0.50hp 1900rpm, 4-11
 Motor, Ele, 36Vdc 0.50Hp 2000Rpm (See Breakdowns), 2-11
 Motor, Ele, 36vdc 0.50hp 2000rpm (See Breakdowns), 4-9
 Motor, Ele, 36vdc 0.75hp 0200rpm . A, 4-6
 Motor, Elec 0.5Hp36V.Dc, 1900Rpm (Replaced By 374265AM) (See Breakdowns), 4-9
 Motor, Elec 0.5Hp36V.Dc, 1900Rpm, 4-10
 Mtr Gear Kit, 4-9

N

Nut Speed, Retainer, .25-20 Thd, 2-3, 2-45, 2-47, 2-49
 Nut, Hex, Flexlock, .31-18, 2-33
 Nut, Hex, Flng, M08 X 1.25, 2-37
 Nut, Hex, Jam, .31-24, 2-39
 Nut, Hex, Lock, .38-16, NI, Ss, 2-15, 2-17, 2-19, 3-21, 3-25, 3-29
 Nut, Hex, Lock, .38-16, NI, Thin, 2-15, 2-17, 2-19, 3-21, 3-25, 3-29
 Nut, Hex, Lock, M06 X 1.0, NI, Ss, 2-39, 2-41
 Nut, Hex, Lock, M06 X 1.0, NI, 2-35, 2-41, 3-3, 3-5, 3-7, 3-3
 Nut, Hex, Lock, M08 X 1.25, NI, Ss, 3-21, 3-25, 3-29
 Nut, Hex, Lock, M08 X 1.25, NI, Ss, 2-11, 2-13, 2-15, 2-17, 2-19, 2-29, 2-31, 2-41, 2-43
 Nut, Hex, Lock, M16 X 2.0, NI, 2-21
 Nut, Hex, Lock, M4 X 0.7, NI, 3-5, 3-7, 3-3
 Nut, Hex, Lock, M6 X 1.0, NI, 3-21, 3-25, 3-29
 Nut, Hex, Std, #10-32, 2, 2-39
 Nut, Hex, Std, M03 X 0.5, 2-41
 Nut, Hex, Std, M04 X 0.7, 3-3
 Nut, Hex, Std, M08 X 1.25, Ss, 2-13, 2-43
 Nut, Hex, Std, M10 X 1.5, 2-15, 2-17, 2-19, 3-21, 3-25, 3-29
 Nut, Retainer, .312 Dia, 2-15, 2-17, 2-19
 Nut, Wheel, .44-20 X 60 Angle, 2-11
 Nut-Hx Thin .38-32, 2-35
 Nut-Hxlocnyln M 8X1.25 Reg Ss, 2-21, 2-23, 2-45, 2-47, 2-49, 3-19, 3-23, 3-27
 Nut-Hxlocnylon M 8X1.25 Reg Ss, 3-19, 3-23, 3-27
 Nut, 4-3, 4-5

O

O Ring, 1.48" ID, 1.76" Od, 2-23
 O-Ring, 4-9

P

Packing, Breather, 4-9
 Packing, Cap, 4-9
 Pad, Buff 14D Red, 2-5
 Pad, Buff 16D Red, 2-7
 Pad, Buff 18D Red, 2-9
 Pad, Polish 14D White, 2-5
 Pad, Polish 16D White, 2-7
 Pad, Polish 18D White, 2-9
 Pad, Scrub 14D Blue, 2-5
 Pad, Scrub 16D Blue, 2-7
 Pad, Scrub 18D Blue, 2-9
 Pad, Strip 14D Brown, 2-5
 Pad, Strip 16D Brown, 2-7
 Pad, Strip 18D Brown, 2-9

CROSS REFERENCE

Pad, Strip-Hd 14D Black, 2-5
Pad, Strip-Hd 16D Black, 2-7
Pad, Strip-Hd 18D Black, 2-9
Pin, 0.62d 05.4l 1/.16h 2/Cham, 2-43
Pin, Clevis 0.50 Dia X 4.75Lg, 3-21, 3-25, 3-29
Pin, Clevis, 6mm D X 40mm, 2-43
Pin, Clevis, 0.31 D X 4.74l, 2-15, 2-17, 2-19
Pin, Clevis, 0.31Dia X4.5Lg, 3-21, 3-25, 3-29
Pin, Clevis, 0.37 D X 1.50l, 2-13
Pin, Clevis, 0.37 Dia 2.25Lg, 2-45, 2-47, 2-49
Pin, Clevis, 0.50 D X 2.00l, 3-21, 3-25, 3-29
Pin, Clevis, 0.50 D X 2.88l, 2-15, 2-17, 2-19
Pin, Clevis, 0.50 D X 4.00l, 2-13
Pin, Clevis, 0.50 D X 4.75l, 2-15, 2-17, 2-19
Pin, Clevis, 0.62 D X 2.12l, 2-13
Pin, Cotter .125X0.75, 3-21, 3-25, 3-29
Pin, Cotter .094X0.75, 2-45, 2-47, 2-49
Pin, Cotter, .062 X 0.75, 2-43
Pin, Cotter, .125 X 0.75, 2-15, 2-17, 2-19
Pin, Cotter, Hair, 0.62d .120 Wi, 3-25, 3-29
Pin, Cotter, Hair, 0.62d .120 Wir, 3-21
Pin, Hair Cotter, 0.38 D .072 Wir, 2-13
Pin, Hair Cotter, 0.62 D .120 Wir, 2-13, 2-15, 2-17, 2-19, 2-43
Pin, Hair Cotter, 0.69 D .092 Wir, 2-13
Pin, Roll, 3-19, 3-23, 3-27
Pin, Roller, 3-21, 3-25, 3-29
Pinion Gear, 4-9
Pivot, 2-41
Plate, Ele, Cover, 3-17
Plate, Blade Retainer 28", 2-45
Plate, Blade Retainer 32, 2-47
Plate, Blade Retainer 36", 2-49
Plate, Caster, 2-11
Plate, Mtg, Detgt Pump, 3-5, 3-7, 3-3
Plate, Mtg, Electronic, 2-39
Plate, Mtg, Pump, 3-3
Plate, Orifice, 0.040id, 3-15
Plate, Shield, 2-35
Plate, Sqge, Pivot, 2-41
Plug Drive Assy, 3-19, 3-23, 3-27
Plug Idler Assy, 3-19, 3-23, 3-27
Plug, Breather, 4-9
Plug, Brush, 3-19, 3-23, 3-27
Plug, Drain, 4-9
Plug, Drive, Brush, [48 Tooth - Gt/2], 3-19, 3-23, 3-27
Plug, Expandable 1.00 Dia, 2-21
Plug, Expandable 1.5D X 1.75L, 2-21
Plug, Plstc, 2-15, 2-17, 2-19
Plug, 4-9
Pump Kit, Detgt, Replmt, [5680/5700], 3-3
Pump, Air, Ele, 24vdc, 3-3, 3-5, 3-3
Pump, Air, Ele, 36vdc, 3-7

Pump, Detgt, [560s], 3-5, 3-7, 3-3
Pump, Solution, Ele, 36vdc, 3-15
Pushnut, Fastener, 2-37, 2-39

R

Rectifier Assy, 4-12, 4-13
Rectifier Scr 20A, 4-12
Rectifier Scr 35A, 4-13
Relay, 36vdc, 05a, Spdt N/O, 3-17
Relay, 36vdc, 5a, Spdt, 2-39
Resistor, 011.00ohm, 40watt, 3-7
Resistor, 022.00ohm, 40watt, 3-17
Ring, Snap, 4-7
Ring, Retain, Ex, 0.59Od, Basic, 3-19, 3-23, 3-27
Rivet, Blind, .125d X 0.32 X .25d, Stl, 2-41
Rivet, Pop-.125Dx.44X.25Dhd Al, 3-32
Roller, Bumper, 2-3, 3-21, 3-25, 3-29
Roller, Linkage, Head, 2-15, 2-17, 2-19
Roller, Rwk, 3-21, 3-25, 3-29
Roller, 2-43

S

Scr Flt M8 x 1.25 25, 3-19, 3-23, 3-27
Scr Hex Ssm 8X1.25 50, 2-45, 2-47, 2-49
Scr Hexssm 8X1.25 70, 2-45, 2-47, 2-49
Scr Hexssm 8X1.25 16, 2-27
Scr Hexssm 8X1.25, 2-21, 3-19, 3-23, 3-27
Scr-Flt M 8X1.25 20 Blk Nyloc, 2-25
Scr-Flt M10 X 1.5 20, Ss NI, 3-19, 3-23, 3-27
Scr-Flt M8 X 1.25 25 Ss, 3-19, 3-23, 3-27
Scr-Hexssm 8X1.25 25 Nyloc, 2-25
Scr-Hexssm10X1.5 40 Full Thd, 3-21, 3-25, 3-29
Scr-Hexssm6X1.0 25, 3-21, 3-25, 3-29
Scr-Hxfmg M6 X 1.0 20, 3-21, 3-25, 3-29
Scr-Hxfmg M8 X 1.25 25, 3-19, 3-23, 3-27
Scr-Set 8-32 X .25 Nylon Loc, 3-19, 3-23, 3-27
Screen, 50 Mesh, Ss, 3-15
Screen, Drain, 2-29, 2-31
Screen, Filter, 80 Mesh, 3-15
Screw, Btn, M8 X 1.25 X 40, Ss18-8, 2-45, 2-47, 2-49
Screw, Flat, M08 X 1.25 X 20, Blk, 2-29, 2-31
Screw, Flat, M08 X 1.25 X 40, 10.9, 2-15, 2-17, 2-19
Screw, Flat, M08-1.25x 30, Ss, 2-41
Screw, Flat, M 8X1.25 Ss, 3-19, 3-23, 3-27
Screw, Flt, M03 X 0.5 X 06, Ss, 2-35
Screw, Flt, M06 X 1.0 X 16, Ss, 2-39

Screw, Hex, .38-16 X 3.50, G5, 2-15, 2-17, 2-19
Screw, Hex, .38-16 X 5.50, 5, 3-21, 3-25, 3-29
Screw, Hex, #10-16 X 0.75, Fmg, [Ab], 2-27
Screw, Hex, Fmg, M04-0.7 X 20, 2-39
Screw, Hex, M04 X 0.7 X 10, Fmg, 2-39, 3-17
Screw, Hex, M04 X 0.7 X 12, 8.8, 3-3, 3-5, 3-7, 3-3
Screw, Hex, M06 X 1.0 X 10, Fmg, 2-39
Screw, Hex, M06 X 1.0 X 16, Ss, NI, 2-41
Screw, Hex, M06 X 1.0 X 16, Ss, 2-41
Screw, Hex, M06 X 1.0 X 20, Ss, 3-3, 3-5, 3-7, 3-3
Screw, Hex, M06 X 1.0 X 25, Fmg, 2-39
Screw, Hex, M06 X 1.0 X 30, 8.8, 3-3, 3-5, 3-3
Screw, Hex, M06 X 1.0 X 40, 8.8, 2-35
Screw, Hex, M06 X 1.0 X 45, 8.8, 2-41
Screw, Hex, M06 X 1.0 X 16, Ss, 3-19, 3-23, 3-27
Screw, Hex, M06-1.0 X 16, 3-19, 3-23, 3-27
Screw, Hex, M08 X 1.25 X 16, Ss, NI, 2-13
Screw, Hex, M08 X 1.25 X 16, Ss, 2-29, 2-31, 2-37
Screw, Hex, M08 X 1.25 X 20, Ss, NI, 2-11, 2-13, 2-21, 2-23, 2-25, 2-27
Screw, Hex, M08 X 1.25 X 20, Ss, 2-29, 2-31
Screw, Hex, M08 X 1.25 X 25, Ss, NI, 2-11, 2-39
Screw, Hex, M08 X 1.25 X 25, Ss, 2-11, 2-43
Screw, Hex, M08 X 1.25 X 30, Ss, 2-29, 2-31
Screw, Hex, M08 X 1.25 X 35, Ss, 2-13, 2-15, 2-17, 2-19, 2-37, 2-43
Screw, Hex, M08 X 1.25 X 40, Ss, 2-11, 2-43
Screw, Hex, M08 X 1.25 X 55, Ss, 2-13
Screw, Hex, M08 X 1.25 X 120, Fl, 2-43
Screw, Hex, M08 X 1.25 X 35, Ss, 3-21, 3-25, 3-29
Screw, Hex, M10 X 1.5 X 30, Ss, 2-15, 2-17, 2-19
Screw, Hex, M10-1.5 X 40, Ss, 2-15, 2-17, 2-19
Screw, Hex, M16 X 2.0 X 35, 8.8, 2-21
Screw, Hex, M4 X 0.7 X 10, Fmg, 3-7
Screw, Hex, M6 X 1.0 X 12, Ss, NI, 3-11
Screw, Hex, M6 X 1.0 X 25, Fmg, 3-7
Screw, Hex, M8 X 1.25 X 16, Ss, 2-23
Screw, Hex, M8 X 1.25 X 20, Ss, NI, 3-11
Screw, Hex, M8 X 1.25 X 25, Fmg, 3-11, 3-21, 3-25, 3-29
Screw, Pan, #06-20 X 0.50, Fmg, [Ab], 2-37

Screw, Pan, #08-10 X 0.50, F/Plstc, 3-3, 3-5, 3-7, 3-13, 3-3
 Screw, Pan, #08-32 X 0.38, 1, 2-29, 2-31
 Screw, Pan, M03 X 0.5 X 20, 4.8, 2-33
 Screw, Pan, M03 X 0.5 X 25, 4.8, 2-41
 Screw, Pan, M4 X 0.7 X 35, S, 2-7, 2-9
 Screw, Pan, M4 X 0.7 X 35, Ss, 2-5
 Screw, Pan, M6 X 1.0 X 35, Ss, 2-5, 2-7, 2-9
 Screw, 4-3
 Seal, Fan, 4-3, 4-5
 Seal, Ring, 3-19, 3-23, 3-27
 Seal, Rubber, 2-37
 Seal, Vac Fan, 2-27
 Seal, 4-7, 4-9, 4-10
 Shaft, Drive Plug, 3-19, 3-23, 3-27
 Shaft, Idler Plug, 3-19, 3-23, 3-27
 Shell, 4-3, 4-5
 Shield, Belt, 3-19, 3-23, 3-27
 Shroud, Steering, Adj, Rwk, 2-37
 Skirt Assy, 28 Inch Disk Head, 2-3, 2-15
 Skirt Assy, 32 Inch Disk Head, 2-3, 2-17
 Skirt Assy, 36 Inch Disk Head, 2-3, 2-19
 Skirt, Debris Tray, 3-21, 3-25, 3-29
 Skirt, Deflector, 3-19, 3-23, 3-27
 Skirt, Scrub Head, 3-19, 3-23, 3-27
 Sleeve, .318B .496D .312 Ss, 2-25
 Sleeve, .344B .62D1.3 Bronze, 2-13
 Sleeve, .500B .62D1.31 Stl, 3-21, 3-25, 3-29
 Sleeve, P/M, 0.496d 0.318b 0.31l 430ss, 2-21, 2-23
 Sleeve, P/M, 0.50b 0.63d 1.4l, Stl Pl, 3-21, 3-25, 3-29
 Sleeve, 2-15, 2-17, 2-19, 2-25, 2-37, 2-41, 2-43, 2-45, 2-47, 2-49
 Snap Ring, 4-9, 4-10
 Spacer, .532ld X .75Od X 1.00L, 2-13
 Spacer, Battery .62X1.5X21.0, 2-33, 3-30
 Spacer, Battery 3.0X4.3X21.0, 2-33
 Spacer, Lift Arm, 2-13
 Spacer, 2-39, 2-43, 4-3, 4-5
 Spring, Brush Retaining, 2-5, 2-7, 2-9
 Spring, Cmpr, 0.69od .05wir 0.6l, 2-41
 Spring, Cmpr, 0.97od .11wir 2.5l, 2-15, 2-17, 2-19
 Spring, Cmpr, 0.85od .08wir 2.0l, 3-21, 3-25, 3-29
 Spring, Door, 3-19, 3-23, 3-27
 Spring, Extn, 1.00od X 0.12wir, 5.0l, 2-43
 Spring, Extn, 1.23od X 0.15wir, 6.5l, 2-15, 2-17, 2-19
 Spring, Extn, 0.25 Od .02 Wire 8.0 L, 2-13
 Spring, Flat, Centering, 2-11
 Spring, Tension, 3-21, 3-25, 3-29
 Spring, Torsion Centering, 2-35
 Spring, Torsion, Wheel, 2-45, 2-47, 2-49
 Spring, Torsion, 2-25
 Spring,Comp.,.84Odx.10Wire 2.0L, 3-21, 3-25, 3-29
 Spring, 4-3, 4-5

Sprng,Comp,0.74ldx.11Wire 2.5L, 3-21, 3-25, 3-29
 Sprocket, Drive, 3-19, 3-23, 3-27
 Squeegee Kit F/Tile Gumrbr 700, 2-3
 Squeegee Kit F/Tile Gumrbr 800, 2-3, 2-47
 Squeegee Kit F/Tile Gumrbr 900, 2-3, 2-49
 Squeegee Kit Oil Rs Urethan700, 2-45
 Squeegee Kit Oil Rs Urethn 700, 2-3
 Squeegee Kit Oil Rs Urethn 800, 2-3, 2-47
 Squeegee Kit Oil Rs Urethn 900, 2-3, 2-49
 Squeegee Kit, F/Tile Gumrbr700, 2-45
 Stationary Fan, 4-3, 4-5
 Stop, Tank, 2-25
 Strap Assy, Handle, 2-15, 2-17, 2-19
 Strap, Cap Retainer, 2-21
 Strap, Drain Cap, 2-23
 Strap, Drainhose, 2-21
 Strap, Poly, Webbing, 100" L, 2-33
 Strap, 2-39
 Strip, Debris Tray, 3-21, 3-25, 3-29
 Stud, M08 X 1.25 20 8.8 Pltd, 2-21
 Stud, Wheel .44-20 X1.22, 4-9
 Switch, Float, 2-21, 2-23
 Switch, Micro, Spdt, 2-41
 Switch, Red Stop, 4-12, 4-13
 Switch, Rocker, 36vdc 05a Dpst On/N/On, 3-17
 Switch, Rocker, Dpst, 2-37
 Switch, 2-37
 Swivel, 2-29, 2-31

T

Tank, Recovery, 2-21, 2-23
 Tank, Solution, w/Label, 2-25
 Terminal, Fem, 10/12ga [Mp630 P2s], 4-6
 Terminal, Female, 4-3, 4-5, 4-7, 4-10, 4-11
 Tie, Cable 1.75D Max 7.50Lg, 2-27
 Tie, Cable 4.00D Max 14.50 Lg, 3-19, 3-23, 3-27
 Tie, Cable, Nyl, 07.3l .19w 1.8 Max D, 2-29, 2-31, 2-39
 Tie, Cable, Nyl, 11.4l .19w 3.0 Max D, 2-27
 Tie, Cable, Nyl, 14.5l .30w 4.0 Max D, 2-15, 2-17, 2-19
 Timer, 36vdc, Detgt [.35on/1.38off], 3-3, 3-5, 3-7
 Tire Assy, Foam, 410/3.5-06 3.5bc/3bolt, 2-11
 Tool, Removal, Shaft, F/ 222176, 3-19, 3-23, 3-27
 Transaxle, Ele, W/.50hp Motor (See Breakdowns), 2-11
 Transaxle, Single Drive, 4-9
 Tray, Debris, 28, 3-21
 Tray, Debris, 32, 3-25

Tray, Debris, 36, 3-29
 Tube Assy, Bar, Spray 700mm, 3-11
 Tube Assy, Spray, Cyl, 800mm, 3-11
 Tube, Drain, 2-21, 2-23
 Tube, Plastic, 25mm Id, 3-13
 Tube, Rnd, 0.40id 0.50od 02.3l, Ss, 2-15, 2-17, 2-19
 Tube, Rnd, 0.50d 0.40b 04.3l, Ss, 3-21, 3-25, 3-29

V

Vacuum Fan, 4-3, 4-5
 Valve, Check, 2 Gpm 2 Psi Bm04/Bm04, 3-5, 3-7, 3-3
 Valve, Solenoid, 2-31
 Valve, Water, Solenoid, 36vdc Pf02, 3-13
 Varistor, 4-12, 4-13
 Vent, Valve, 4-9
 Video, Oprtr, Vhs, Training [5680], 3-33

W

Washer Flt .25 Ss, 3-19, 3-21, 3-23, 3-25, 3-27, 3-29
 Washer Flt .31 Ss, 2-21, 2-23, 2-25, 2-27, 2-45, 2-47, 2-49
 Washer, 0.28b 1.00d .06t, Stl, Blk, Znc, 2-15, 2-17, 2-19
 Washer, .375B 1.25D .12Neopre, 2-45, 2-47, 2-49
 Washer, .660B 1.00D .12 Rbr, 2-21
 Washer, 0.34b 0.69d .06, Nyl, 2-29, 2-31
 Washer, 0.34b 0.75d 0.12, Epdm, 3-15
 Washer, 0.38b 1.22d .06, Ss, 2-11, 2-15, 2-17, 2-19
 Washer, 0.40b 1.12d .12, Stl, Pl, 2-39
 Washer, 0.41b 0.81d .09, Ure, 2-15, 2-17, 2-19
 Washer, 0.47b 1.19d .03, Nyl, 4-7
 Washer, 0.53b 1.75d .12, Stl, Pl, 2-13, 3-21, 3-25, 3-29
 Washer, Belleville, .31, 2-11, 2-15, 2-17, 2-19
 Washer, Belleville, .38, 2-15, 2-17, 2-19
 Washer, Finish, M08, Blk, 2-29, 2-31
 Washer, Flat, .25 Fender, 2-39, 2-41
 Washer, Flat, .31 Fender, 2-21, 2-23, 2-37
 Washer, Flat, .31 Ss, 2-39
 Washer, Flat, #08, 3-3, 3-5, 3-7, 3-3
 Washer, Flat, #8, Ss, 2-5, 2-7, 2-9
 Washer, Flat, 0.25 Ss, 2-5, 2-7, 2-9, 3-11
 Washer, Flat, 0.31 Ss, 3-11
 Washer, Flat, 0.38b 0.88d .08, Ss, 2-15, 2-17, 2-19, 3-19, 3-21, 3-23, 3-25, 3-27, 3-29
 Washer, Flat, 0.38b 1.22d .06, Ss, 3-21, 3-25, 3-29
 Washer, Flat, 0.44b 1.00d .08, Ss, 2-15, 2-17, 2-19
 Washer, Flat, 0.50 Sae, 3-21, 3-25, 3-29

CROSS REFERENCE

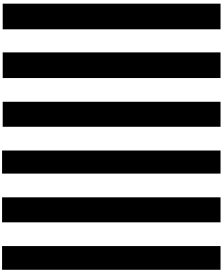
Washer, Flat, 0.53b 0.84d .06, Stl, Pl,
2-15, 2-17, 2-19
Washer, Flat, 0.53b 2.13d .11, Stl, Pl,
2-15, 2-17, 2-19
Washer, Flt, .25 Sae, 2-35
Washer, Flt, .25 Ss, 2-39, 2-41
Washer, Flt, .25 Std, 2-15, 2-17, 2-19,
2-29
Washer, Flt, .31 Sae, 2-39
Washer, Flt, .31 Ss, 2-11, 2-13, 2-29,
2-31, 2-33, 2-37, 2-41, 2-43
Washer, Flt, .50 Sae, 2-45, 2-47, 2-49
Washer, Flt, #06, 2-41
Washer, Flt, 0.321b 1.00d .12, Ss, 2-11
Washer, Flt, 0.40b 1.12d .12, Ss, 2-11
Washer, Lock, Int, .31, 2-39
Washer, Lock, Int, .38, 2-35
Washer, Lock, Int, #10, 2-39
Washer, Lock, Int, M03, Ss, 2-33, 2-41
Washer, Neo., 4-3, 4-5
Washer, Spacer, Speed Control, 2-35
Washer, Spring, 4-7
Washer- Flt 17 X30X3 Ss M16, 2-21
Washer-Flt .31 Fender Pltd, 2-25
Washer, 4-3
Wavy Washer, 4-10
Wheel, 2.0 Dia, 2-3
Wheel, 2.0d 0.88w 0.50b, 2-15, 2-17,
2-19
Wheel, 3.0 Dia, 2-3, 2-45, 2-47, 2-49
Wire, 06ga 11.0l Blk .38ring /.38ring,
2-33



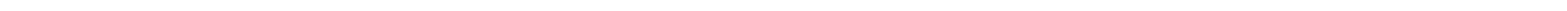
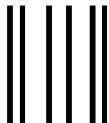
TENNANT COMPANY
 Technical Publications #15
 701 North Lilac Drive
 P.O. Box 1452
 Minneapolis, MN 55440-9947

POSTAGE WILL BE PAID BY ADDRESSEE

BUSINESS REPLY MAIL
 FIRST CLASS MAIL PERMIT NO. 94 MINNEAPOLIS, MN

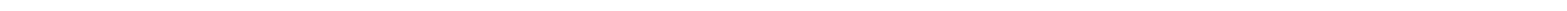


NO POSTAGE
 NECESSARY
 IF MAILED
 IN THE
 UNITED STATES



Fold along dotted lines

Tape here





We Need Your Help...

As part of Tennant's Zero Defects Program, we want to know about errors you have found or suggestions you may have regarding our machine manuals. If you find an error or have a suggestion, please complete this postage-paid form and mail it to us. Thank you for helping us make zero defects a way of life at Tennant.

Manual No. _____ Rev. No. _____ Publish Date _____ Page _____
 Machine _____ Report Error Suggestion

Name _____ Date _____

Customer Number _____

Company _____

Address _____

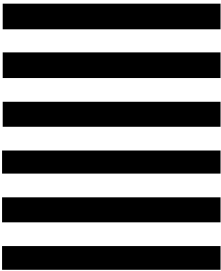
City/State/Zip Code _____



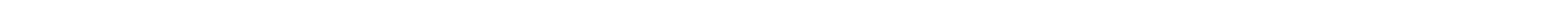
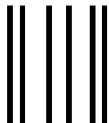
TENNANT COMPANY
 Technical Publications #15
 701 North Lilac Drive
 P.O. Box 1452
 Minneapolis, MN 55440-9947

POSTAGE WILL BE PAID BY ADDRESSEE

BUSINESS REPLY MAIL
 FIRST CLASS MAIL PERMIT NO. 94 MINNEAPOLIS, MN



NO POSTAGE
 NECESSARY
 IF MAILED
 IN THE
 UNITED STATES



Fold along dotted lines

Tape here

