



Spare Parts List

(1.006-670.0)

DOMINATOR 150 PSI 17 Gallon

From Serial Number (Ref No. 1*)

*** See Serial number page or
call manufacturer.**

How to Use this Spare Parts List

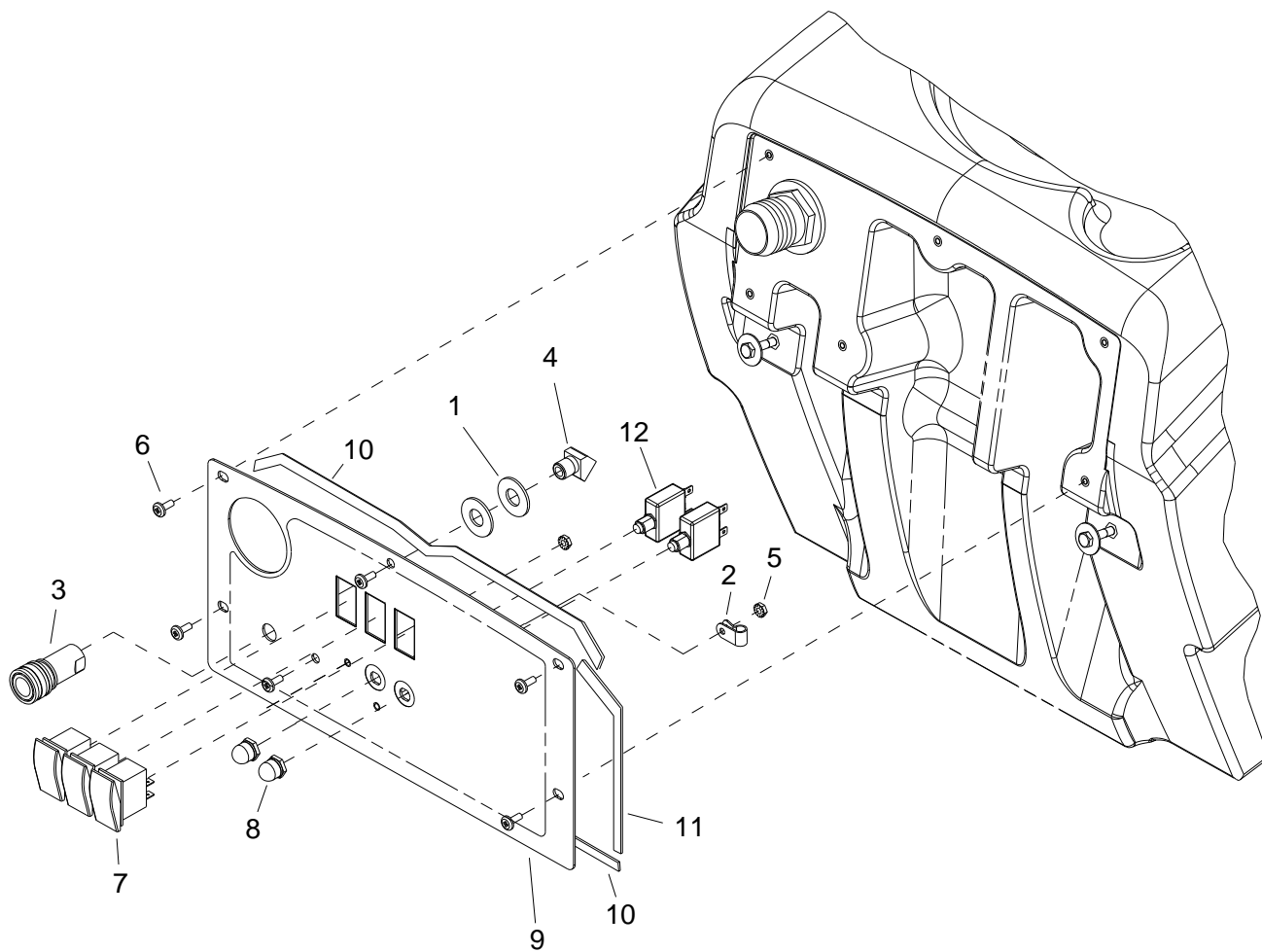
The PARTS LIST section contains assembled parts illustrations and corresponding parts list. The parts lists include a number of columns of information:

- REF - column refers to the reference number on the parts illustration.
- PART NO. - column lists the part number for the part.
- QTY - column lists the quantity of the part used in that area of the machine.
- DESCRIPTION - column is a brief description of the part.
- SERIAL NO. FROM - If this column has an (*) and a Reference number, see the SERIAL NUMBERS page in the back of your manual. If column has two asterisk (**), call manufacturer for serial number. The serial number indicates the first machine the part number is applicable to. The main illustration shows the most current design of the machine. When a boxed illustration is shown, it displays the older design.
- NOTES - column for information not noted by the other columns.

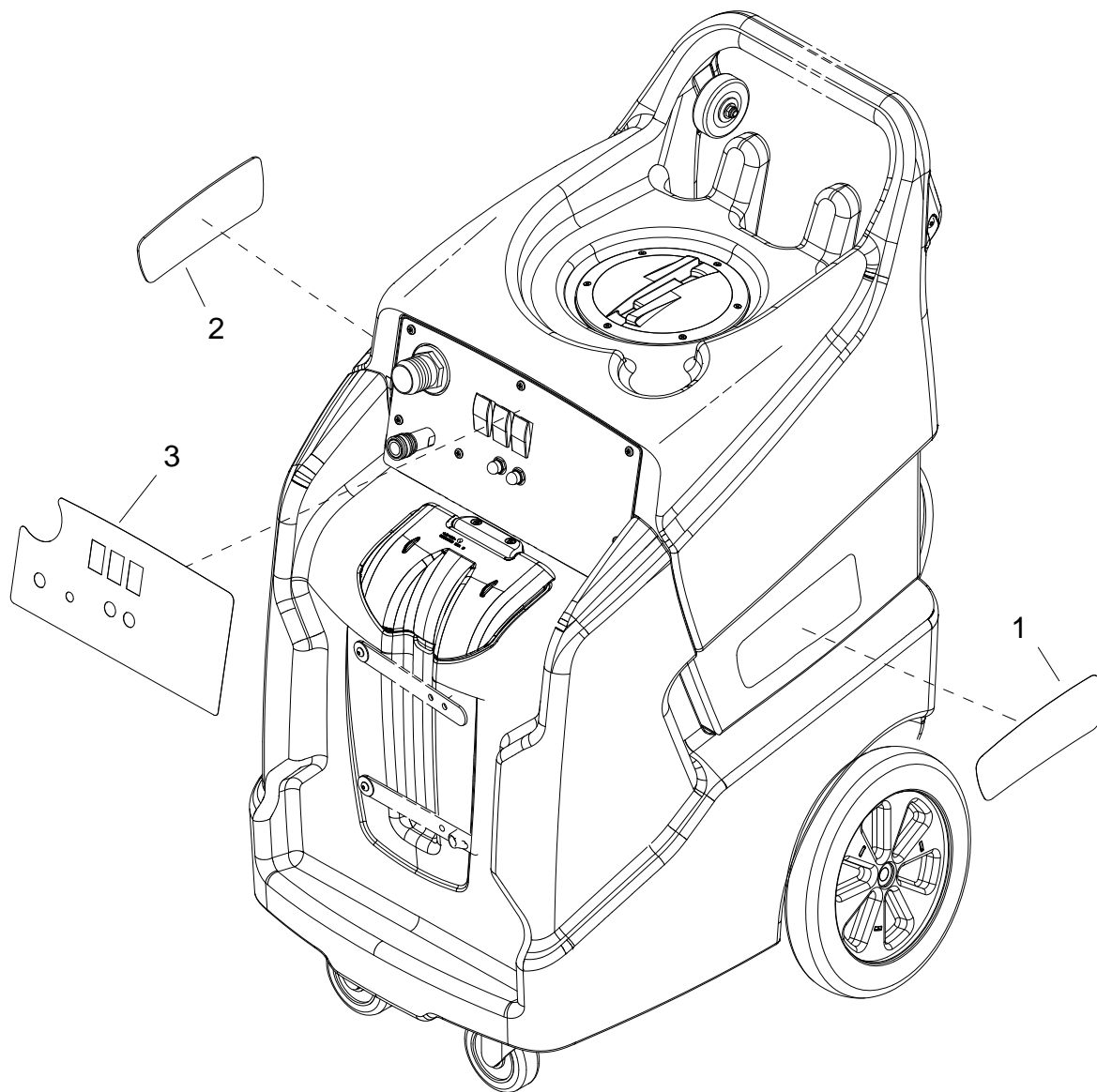
NOTE: *If a service or option kit is installed on your machine, be sure to keep the KIT INSTRUCTIONS which came with the kit. It contains replacement parts numbers needed for ordering future parts.*

How to Use this Spare Parts List	2
Table of Contents	3
Control Panel	4
Decals	6
Electrical	8
Frame	10
Pump	12
Recovery	14
Solution	16
Vacuum	18
Wiring Diagram	20
Serial Number	22
Notes	23

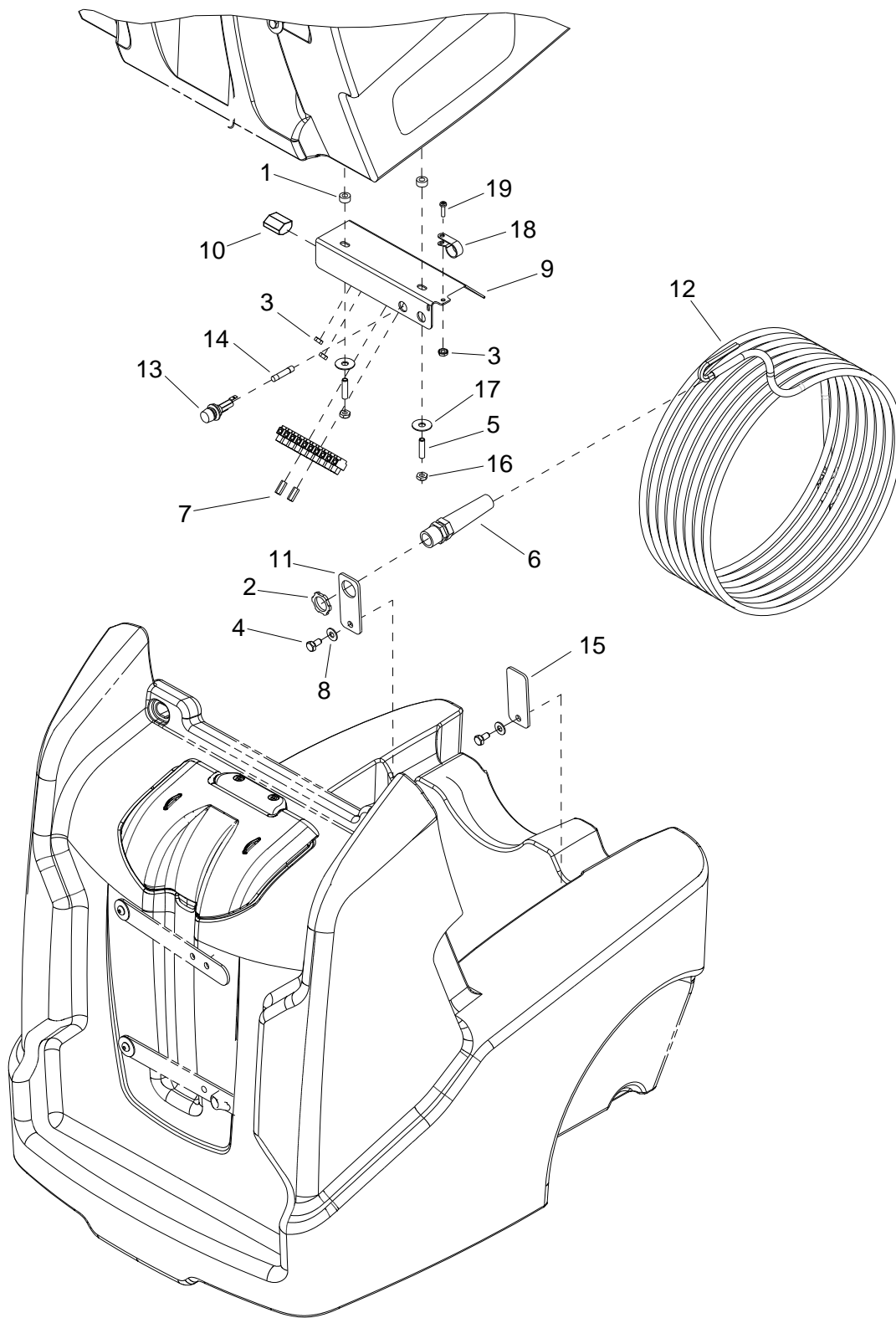
Control Panel



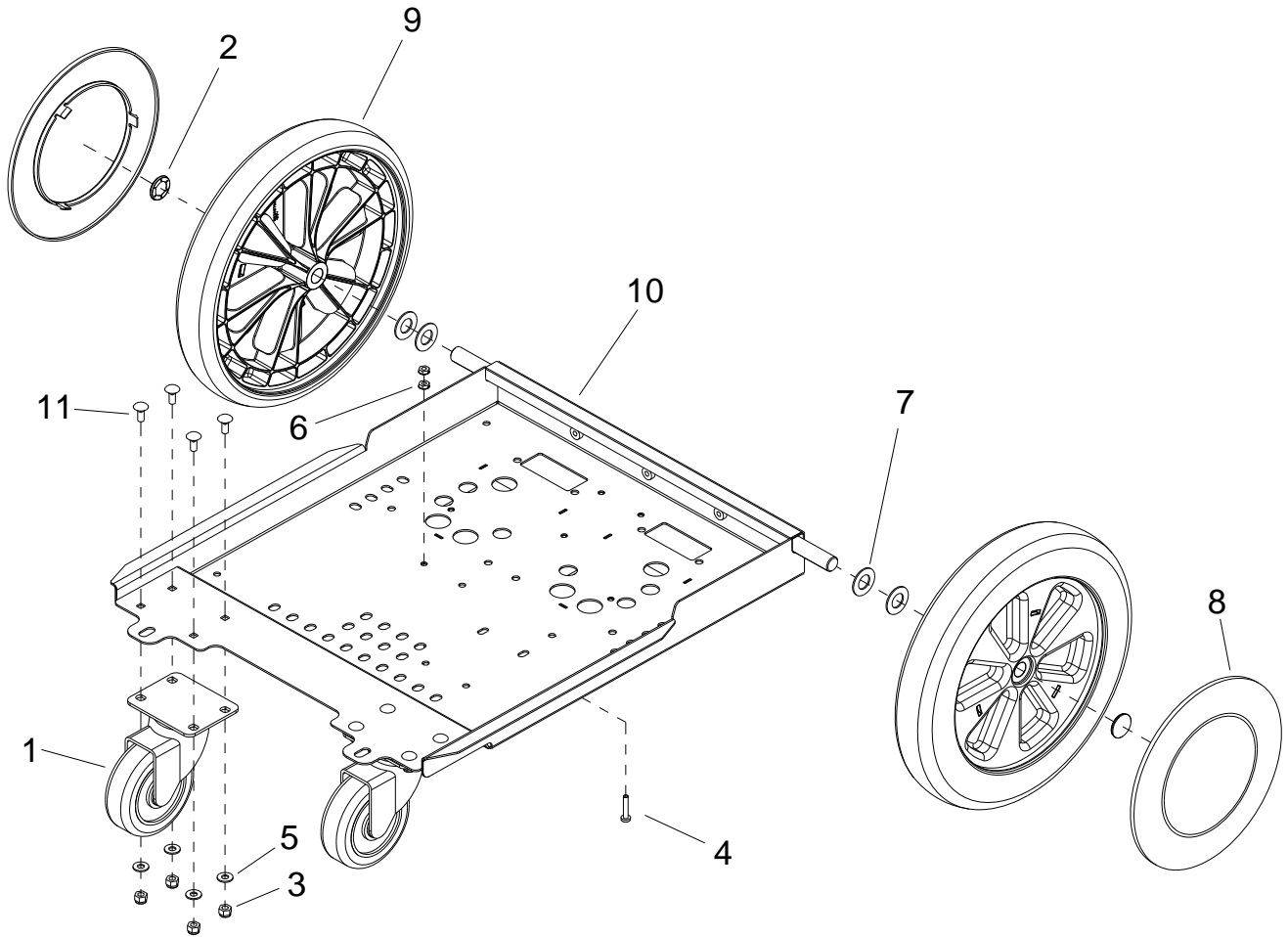
REF	PART NO.	QTY	DESCRIPTION	SERIAL NO. FROM	NOTES
1	86202230	2	WASHER 9/16 S/S USS THICK		
2	86002370	1	CLAMP, 7/16 DIA NYLON UL		
3	86002450	1	COUPLER, 1/4 QD		
4	86197390	1	ELBOW, 1/4NPT 45D STREET		
5	86005700	2	NUT, 10-32 HEX W/ STAR		
6	86276820	6	SCR, 10-32 X 1/2 PTHMS BLK NP		
7	86007140	3	SWITCH, SPST 2-POSITION ROCKER		
8	86008900	2	BOOT, SEAL PUSH BUTTON 7/16		
9	86323520	1	PANEL, CONTROL, 150		
10	86313020	2	GASKET, .125 T X .25 W X 15.6		
11	86313030	4	GASKET, .125 T X .25 W X 7.2		
12	86318320	2	BREAKER, 13A, 250VAC, 32VDC		



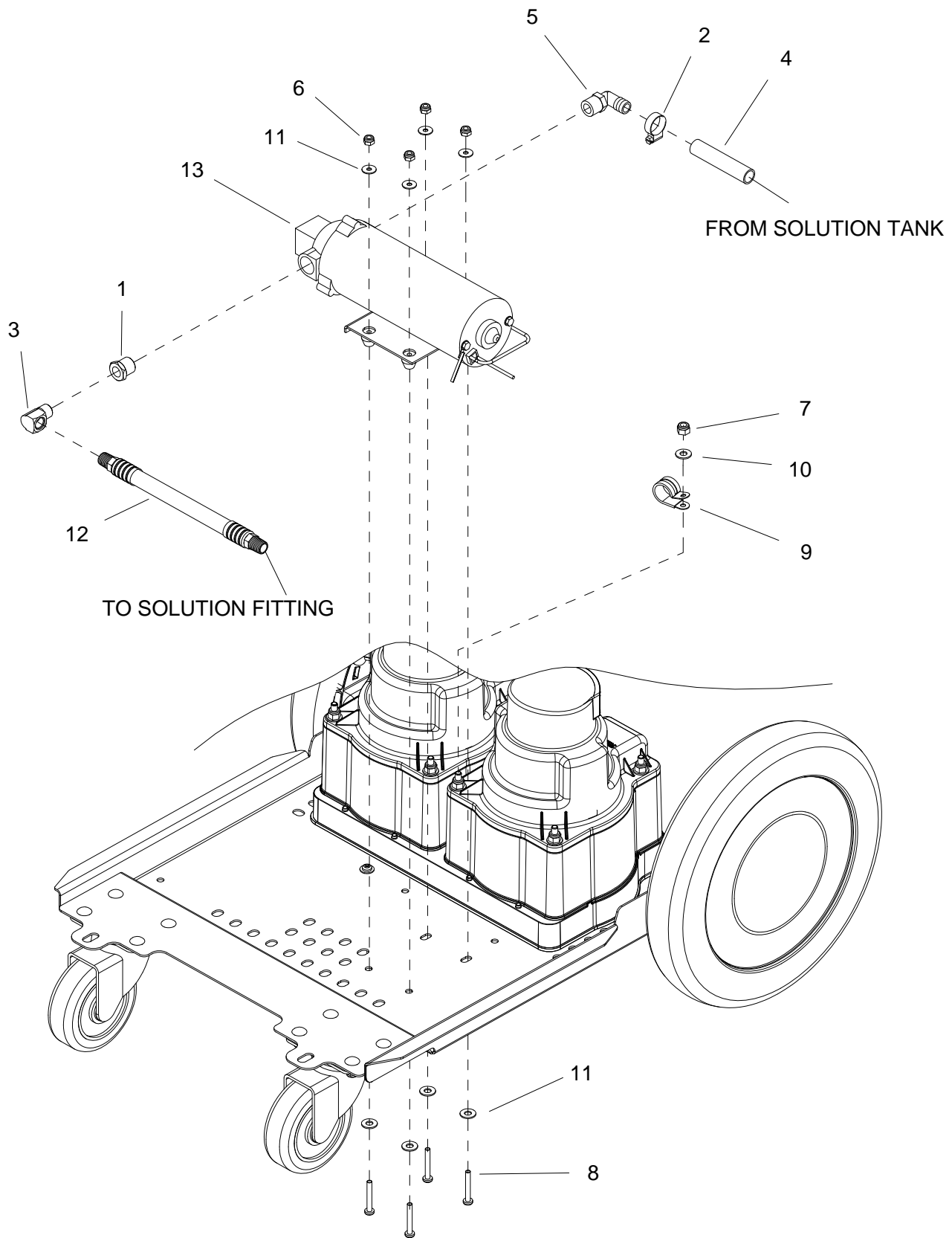
REF	PART NO.	QTY	DESCRIPTION	SERIAL NO. FROM	NOTES
1	86395950	1	LABEL, DOM, LH		
2	86395960	1	LABEL, DOM, RH		
3	86395990	1	LABEL, DOM, 150		



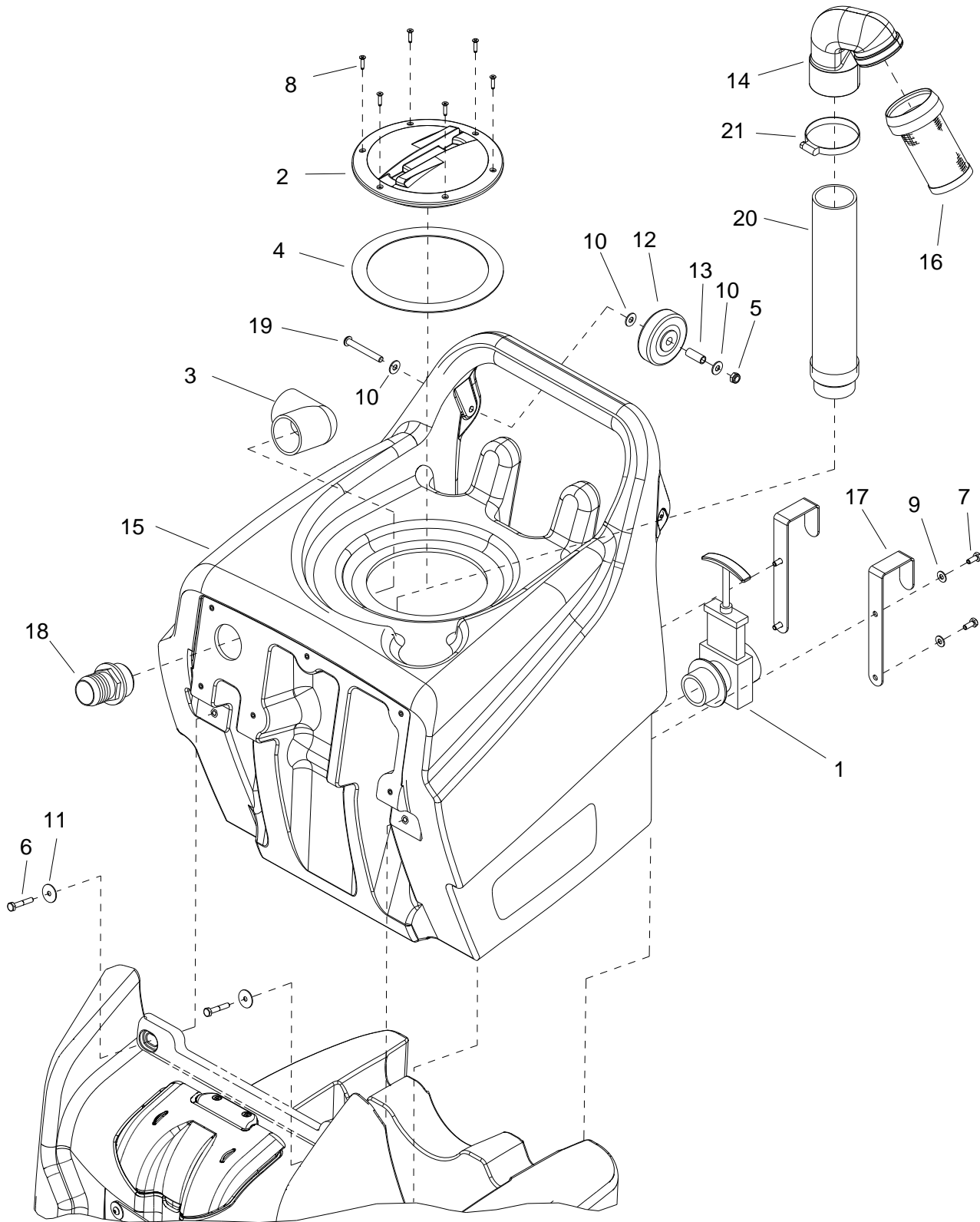
REF	PART NO.	QTY	DESCRIPTION	SERIAL NO. FROM	NOTES
1	86201510	2	SPACER NYLON 1/4ID X 1/2 OD		
2	86005670	1	NUT, 1/2 NPT CONDUIT		
3	86005700	3	NUT, 10-32 W/STAR WASHER PLTD		
4	86273830	2	SCR, 1/4-20 X 1/2 HHCS SS		
5	86006850	2	SET SCR, 1/4-20 X 1.25L		
6	86256200	1	STRAIN RELEIF, 1/2 NPT FLEX		
7	86255900	2	STANDOFF, 6-32 X 5/8 HEX NYL		
8	86010630	2	WASHER, 1/4 X 5/8 FLAT SS		
9	86316460	1	BRKT, ELECTRICAL		
10	86316540	1	CONNECTOR, 5 POS, PUSH WIRE		
11	86316700	1	BRKT, CORD STRAIN RELIEF		
12	86318620	1	CORD ASM, 14/3 SJT X 25' BLK		
13	86319090	1	FUSE HOLDER, PANEL MNT		
14	86319110	1	FUSE, 1/4" X 1 1/4", 4A		
15	86317580	1	BRKT, CORD, BLANK		
16	86005810	2	NUT, 1/4-20 NYLOCK		
17	86323330	2	WASHER, 1/4" ID X 1.0D FLAT BLK		
18	86198460	1	CLAMP, 5/8 NYLON UL/CSA		
19	86006590	1	SCREW 10-32 X 1/2 PPHMS SS NP		



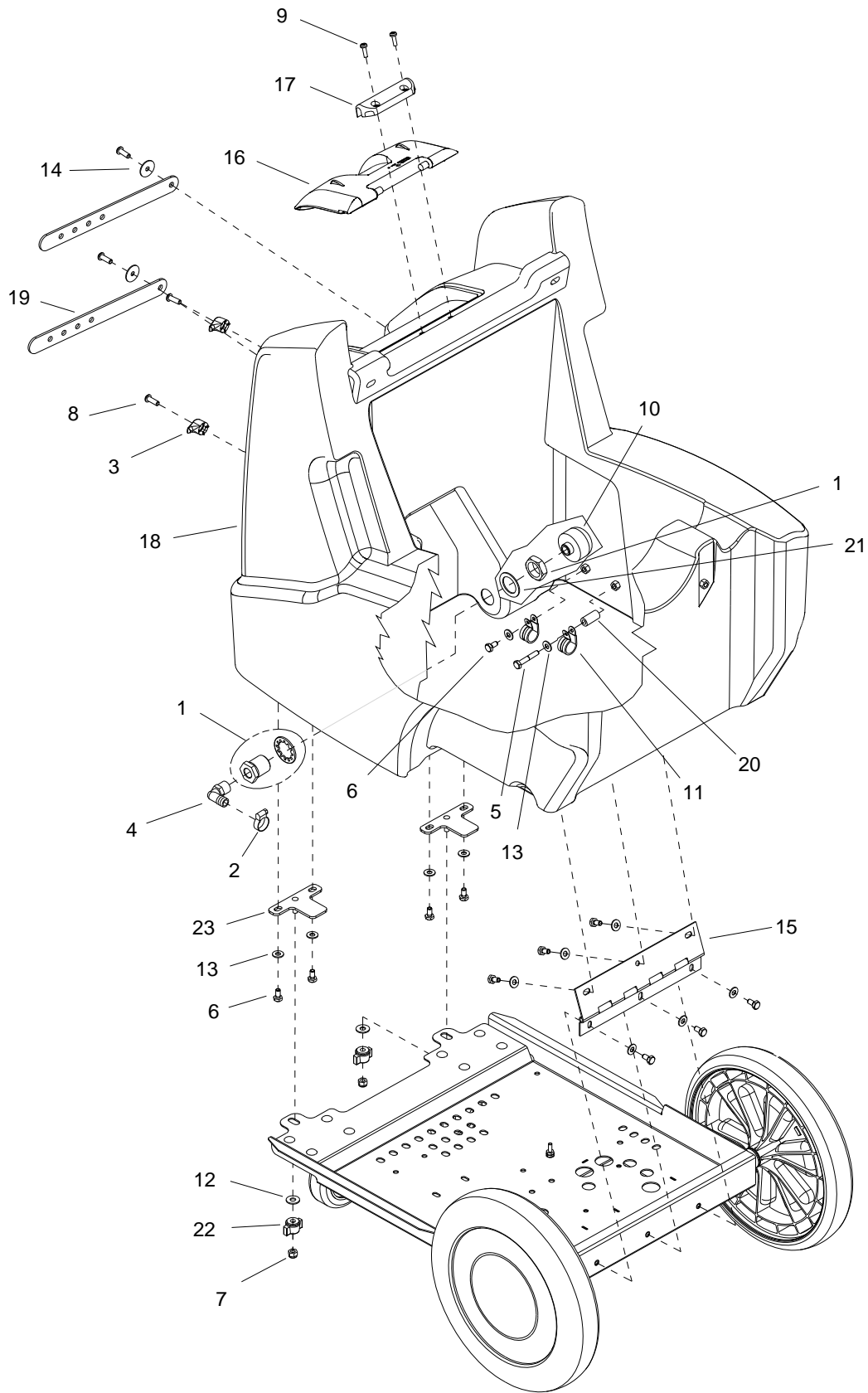
REF	PART NO.	QTY	DESCRIPTION	SERIAL NO. FROM	NOTES
1	86199430	2	CASTER, SWIVEL 4" 250# CPCTY		
2	86001660	2	HUBCAP, 5/8 SHAFT		
3	86005810	8	NUT, 1/4-20 HEX NYLOCK SS		
4	86276080	1	SCR, 10-32 X 1" PPHMS GRN		
5	86010630	8	WASHER, 1/4 X 5/8 FLAT SS		
6	86005700	2	NUT, 10-32 HEX W/STAR		
7	86010730	4	WASHER, 5/8 X 1-3/16 FLAT SS		
8	86300070	2	HUBCAP, 9.75" WHEEL, BLACK		
9	86309790	2	WHEEL, 12" X 2.25"		
10	86312830	1	FRAME, 5/8" AXLE, DUAL VAC		
11	86277500	8	SCR, 1/4-20 X 5/8 CARR SS		



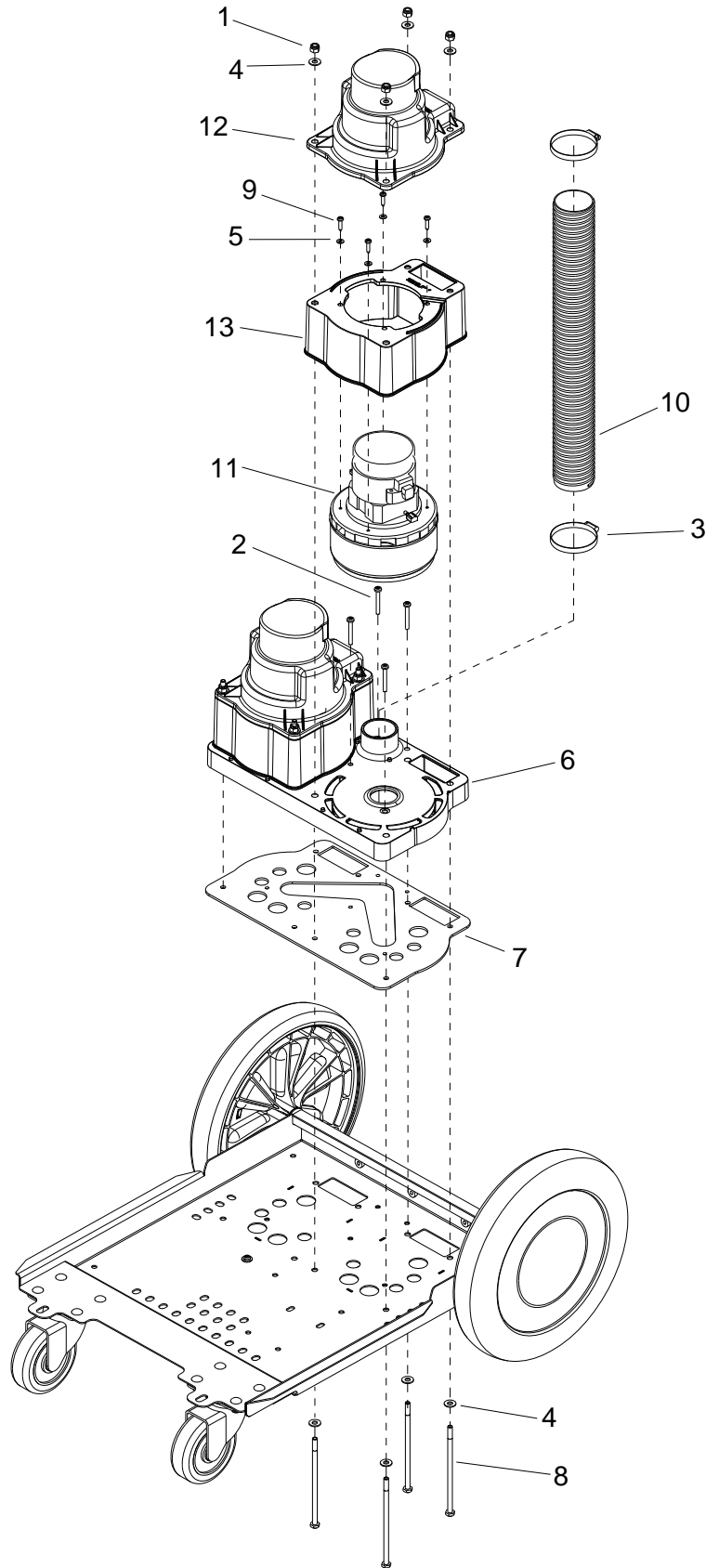
REF	PART NO.	QTY	DESCRIPTION	SERIAL NO. FROM	NOTES
1	86197290	1	BUSHING, 3/8 MPT X 1/4 FPT HEX		
2	86233150	1	CLAMP, 3/8 WORM GEAR		
3	86197360	1	ELBOW, 1/4 NPT STREET		
4	86282320	1	HOSE, 1/2ID WIRE BOUND X 26"		
5	86197940	1	HOSEBARB, 3/8 MPT X 1/2 HOSE 90		
6	86005640	4	NUT, 10-32 HEX NYLOCK		
7	86005710	1	NUT, 1/4-20 HEX W/STAR WASHER		
8	86274450	4	SCR, 10-32 X 1.25 HHMS PLTD		
9	86233410	1	CLAMP, 3/4 DIA CUSHION .406 DIA		
10	86010630	1	WASHER, 1/4 X 5/8 FLAT SS		
11	86010650	8	WASHER, #10 X 9/16 FLAT		
12	86317880	1	HOSE, 49.0 GRY 3/8 1/4MPT X 1/4MPT		
13	86318630	1	PUMP, 115V 150PSI BYPASS		



REF	PART NO.	QTY	DESCRIPTION	SERIAL NO. FROM	NOTES
1	86161460	1	DUMP VALVE, 1 1/2"		
2	86334490	1	DECK PLATE ASM, 6", YLW		
3	86197820	1	ELBOW, 1.5 FPT X FS PVC		
4	86004000	1	GASKET, TANK LID		
5	86197040	2	NUT, 5/16-18 HEX ACORN PLTD		
6	86273740	2	SCR, 1/4-20 X 1.50 HHCS SS		
7	86273750	4	SCR, 1/4-20 X 5/8 HHCS SS		
8	86275800	6	SCR, 8 X 3/4 PFHT/S BLK ZINC		
9	86010630	4	WASHER, 1/4 X 5/8 FLAT SS		
10	86010670	6	WASHER, 5/16 X 3/4 SS		
11	86323330	2	WASHER, 1/4 ID X 1.0 OD FLAT BLK		
12	86011020	2	WHEEL, 3" DIA. CUSHION RUBBER		
13	86001350	2	BUSHING, SPANNER .435 X 1.10		
14	86311510	1	ADAPTER, FLOAT 30 DEG, 2"		
15	86324960	1	TANK, RECOVERY, TRIMMED		
16	86313040	1	SCRN, FLOAT, SHTOFF, 2"		
17	86316710	2	BRKT, CORD, MOUNT		
18	86317230	1	HOSEBARB, 1.5MPT X 1.5 W/FLNG		
19	86317720	2	SCR, 5/16-18 X 2.50 BSHCS SS		
20	86320790	1	PIPE ASM, 2", VACUUM		
21	86233120	1	CLAMP, 2.75" WORM GEAR		

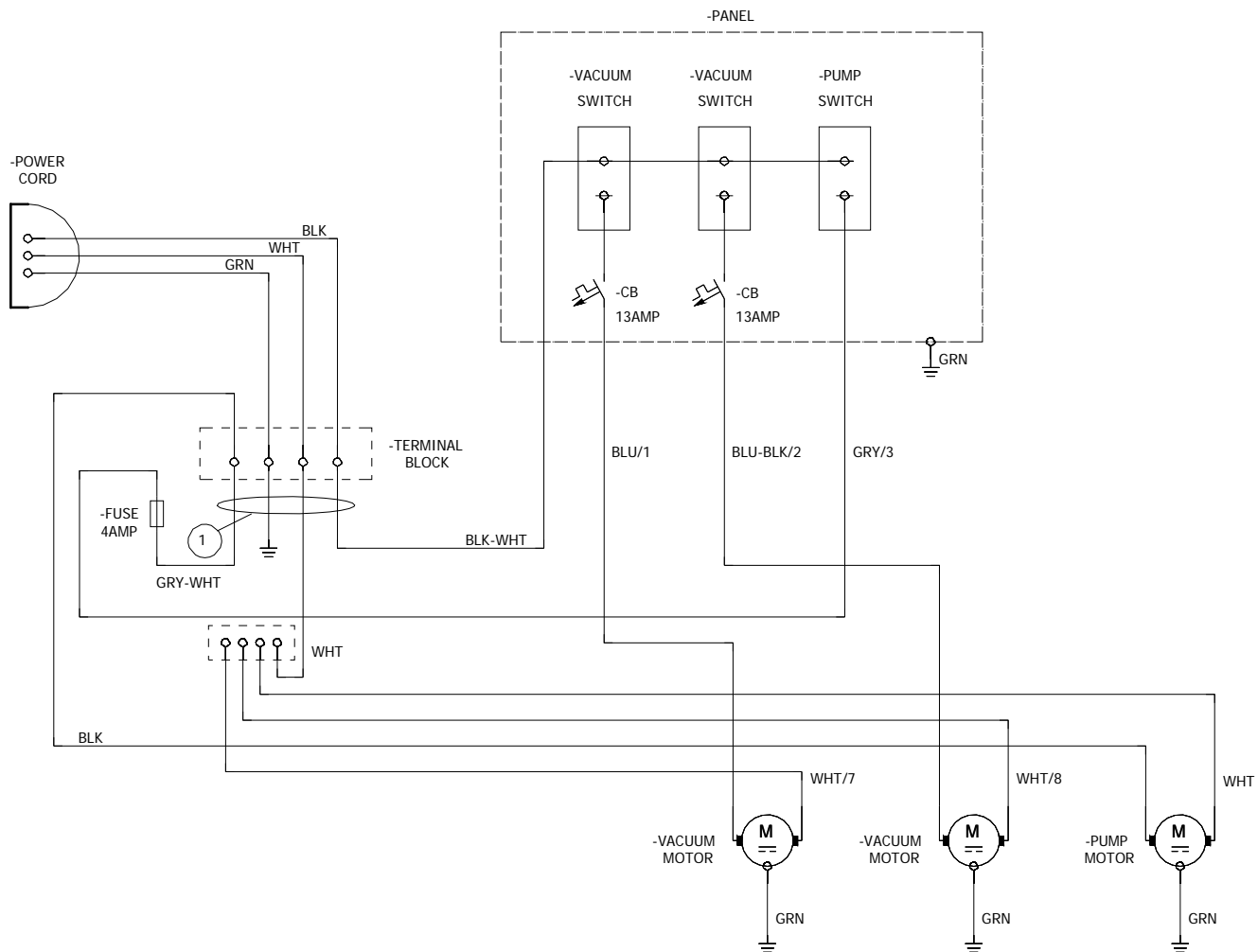


REF	PART NO.	QTY	DESCRIPTION	SERIAL NO. FROM	NOTES
1	86173640	1	ADPT,3/8 BLKHD		COMPLETE
2	86233150	1	CLAMP, 3/8 WORM GEAR		
3	86238460	2	HOOK, STRAP		
4	86197940	1	HOSEBARB, 3/8 MPT X 1/2 HOSE 90		
5	86273740	1	SCR, 1/4-20 X 1.50 HHCS SS		
6	86273830	11	SCR, 1/4-20 X 1/2 HHCS SS		
7	86005810	2	NUT, 1/4-20 HEX NYLOCK SS		
8	86324210	4	SCR, 1/4-20 X 5/8 BHCS BLK		
9	86276160	2	SCR, 10-32 X 5/8 PPHMS BLK		
10	86007970	1	STRAINER, 3/8 IN. NPT 60 MESH		
11	86233410	2	CLAMP, 3/4 DIA CUSHION .406 DIA		
12	86010670	2	WASHER, 5/16 X 3/4 SS		
13	86010630	12	WASHER, 1/4 X 5/8 FLAT SS		
14	86323330	2	WASHER, 1/4 ID X 1.0 OD FLAT BLK		
15	86311990	1	HINGE, 9.5" LG X .074 THK		
16	86312000	1	LID, SOLUTION, COVER		
17	86312010	1	LID, SOLUTION, HINGE BRKT		
18	86330160	1	TANK, 17G SOL, 150 TRIM, BLU		
19	86297620	2	STRAP, HAND TOOL		
20	86317560	1	SPACER, .50 ODX .28 ID X 1.0L		
21	86318790	1	WASHER, 1.032ID X 1.5OD X .062THK		
22	86242130	2	KNOB, 1/4 HEX PRESS-LOC WING		
23	86324030	2	PLATE, MOUNTING, SOLUTION		



REF	PART NO.	QTY	DESCRIPTION	SERIAL NO. FROM	NOTES
1	86005810	8	NUT, 1/4-20 HEX NYLOCK SS		
2	86274090	5	SCR, 10-32 X 1.5 PPHMS		
3	86233430	2	CLAMP, 2.50 WORM GEAR		
4	86010630	16	WASHER, 1/4 X 5/8 FLAT SS		
5	86278990	8	WASHER, #8 X 3/8 FLAT		
6	86311520	1	MANIFOLD, VACUUM, DUAL		
7	86312990	1	GASKET, VAC MANIFOLD, DUAL		
8	86314710	8	SCR, 1/4-20 X 5.50 HHCS PLT		
9	86317630	8	SCR, #8 X 3/4" PPHSMS TYPE AB		
10	86318300	1	HOSE, VAC, 2.0 ID X 18"L		
11	86318760	2	VAC ASM, 2-STAGE, 120V		
-	86135320	-	SP BRUSHES SET (120V VAC)		
12	86312080	2	COVER, VAC MOTOR		
13	86312220	2	BASE, VAC MOTOR, 2 STAGE		
-	86319020	-	VAC HOUSING, 2 STAGE		INCLUDES 12, 13

Wiring Diagram



REF	PART NO.	QTY	DESCRIPTION	SERIAL NO. FROM	NOTES
1	98407900	1	HARNESS KIT, SINGLE CORD		

Serial Number

REF. NO.	MODEL: SERIAL #
1	N/A

