



Spare Parts List

(1.006-139.0, 1.006-675.0)

Dominator 200 PSI 13 Gallon

From Serial Number (Ref No.1*)

*** See Serial number page or
call manufacturer**

How to Use this Spare Parts List

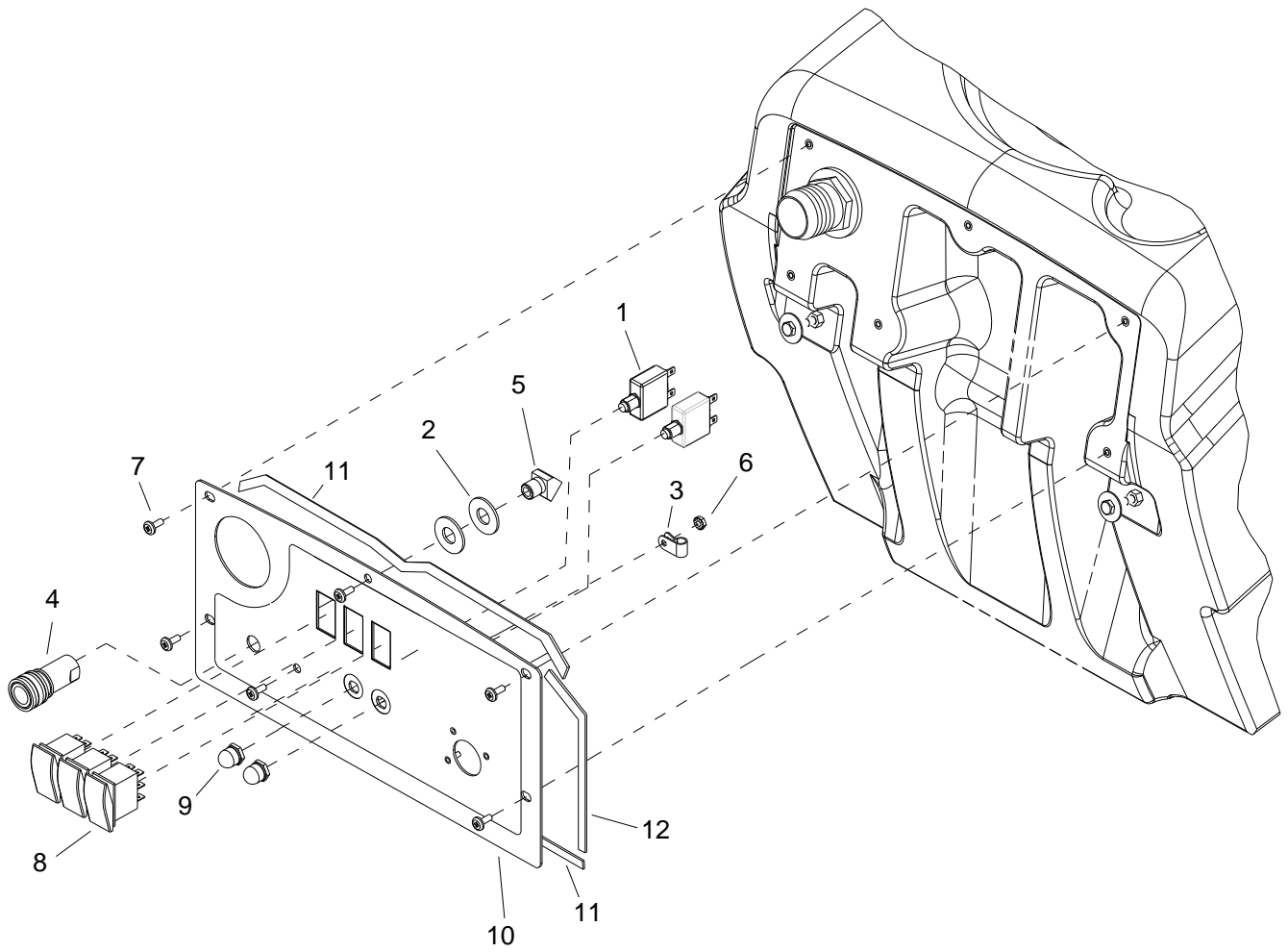
The PARTS LIST section contains assembled parts illustrations and corresponding parts list. The parts lists include a number of columns of information:

- REF - column refers to the reference number on the parts illustration.
- PART NO. - column lists the part number for the part.
- QTY - column lists the quantity of the part used in that area of the machine.
- DESCRIPTION - column is a brief description of the part.
- SERIAL NO. FROM - If this column has an (*) and a Reference number, see the SERIAL NUMBERS page in the back of your manual. If column has two asterisk (**), call manufacturer for serial number. The serial number indicates the first machine the part number is applicable to. The main illustration shows the most current design of the machine. When a boxed illustration is shown, it displays the older design.
- NOTES - column for information not noted by the other columns.

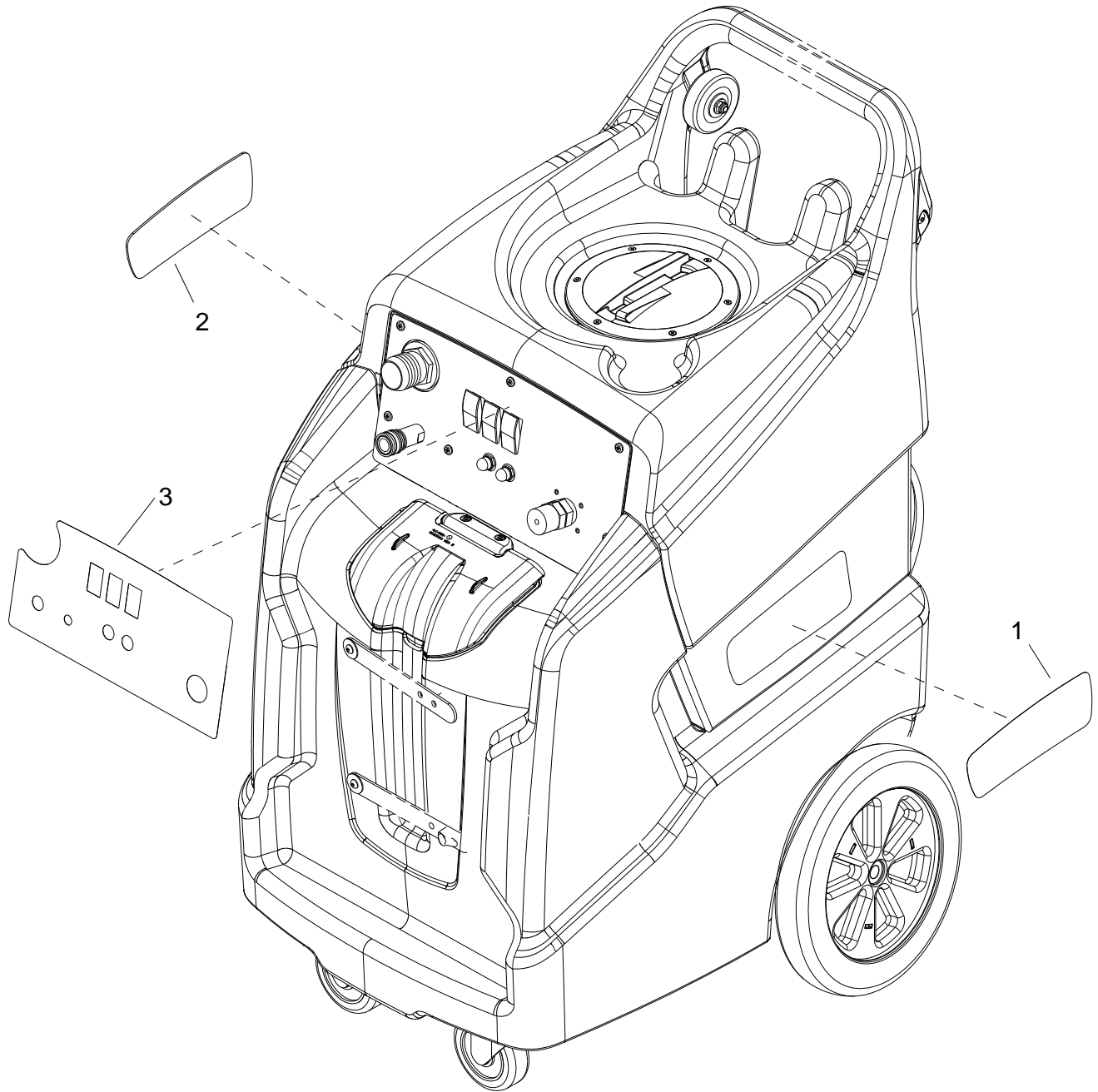
NOTE: *If a service or option kit is installed on your machine, be sure to keep the KIT INSTRUCTIONS which came with the kit. It contains replacement parts numbers needed for ordering future parts.*

How to Use this Spare Parts List	2
Table of Contents	3
Control Panel	4
Decals	6
Electrical	8
Frame	10
Pump	12
Recovery	14
Solution	16
Vacuum	18
Wand / Hoses - Optional	20
Wiring	22
Serial Number	24
Notes	25

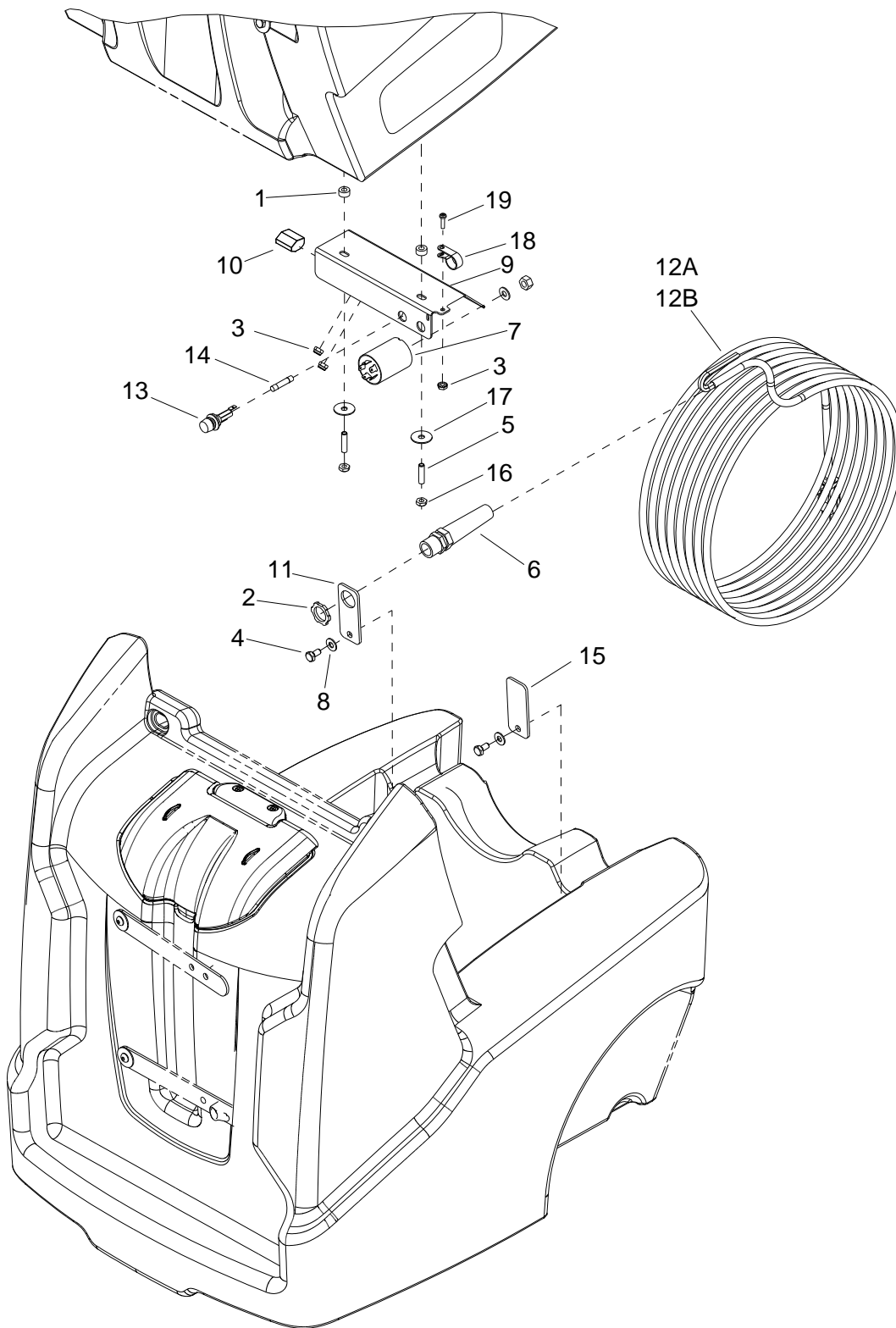
Control Panel



REF	PART NO.	QTY	DESCRIPTION	SERIAL NO. FROM	NOTES
1	86230110	2	BREAKER, 7A CIRCUIT		
2	86202230	2	WASHER 9/16 S/S USS THICK		
3	86002370	1	CLAMP, 7/16 DIA NYLON UL		
4	86002450	1	COUPLER, 1/4 QD		
5	86197390	1	ELBOW, 1/4NPT 45D STREET		
6	86005700	2	NUT, 10-32 HEX W/STAR		
7	86276820	6	SCR, 10-32 X 1/2 PTHMS BLK NP		
8	86007130	3	SWITCH DPDT 2-POSITION ROCKER		
9	86002010	2	BOOT, 3/8 CIRCUIT BREAKER		
10	86323510	1	PANEL CONTROL, 200		
11	86313020	2	GASKET, .125 T X .25 W X 15.6"		
12	86313030	4	GASKET, .125 T X .25 W X 7.2"		

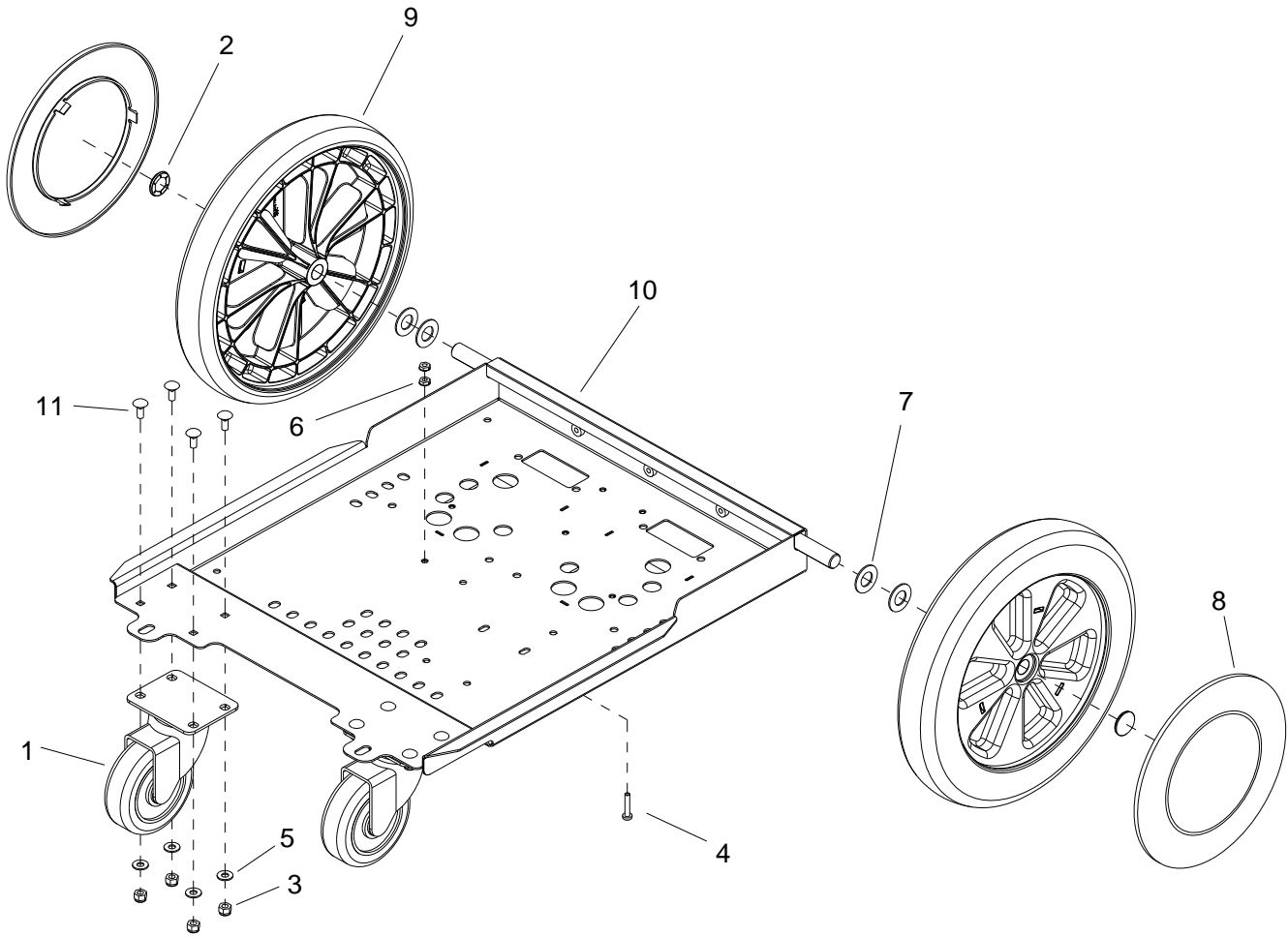


REF	PART NO.	QTY	DESCRIPTION	SERIAL NO. FROM	NOTES
1	86395950	1	LABEL, DOM, LH		
2	86395960	1	LABEL, DOM, RH		
3	86395990	1	LABEL, DOM, 150		

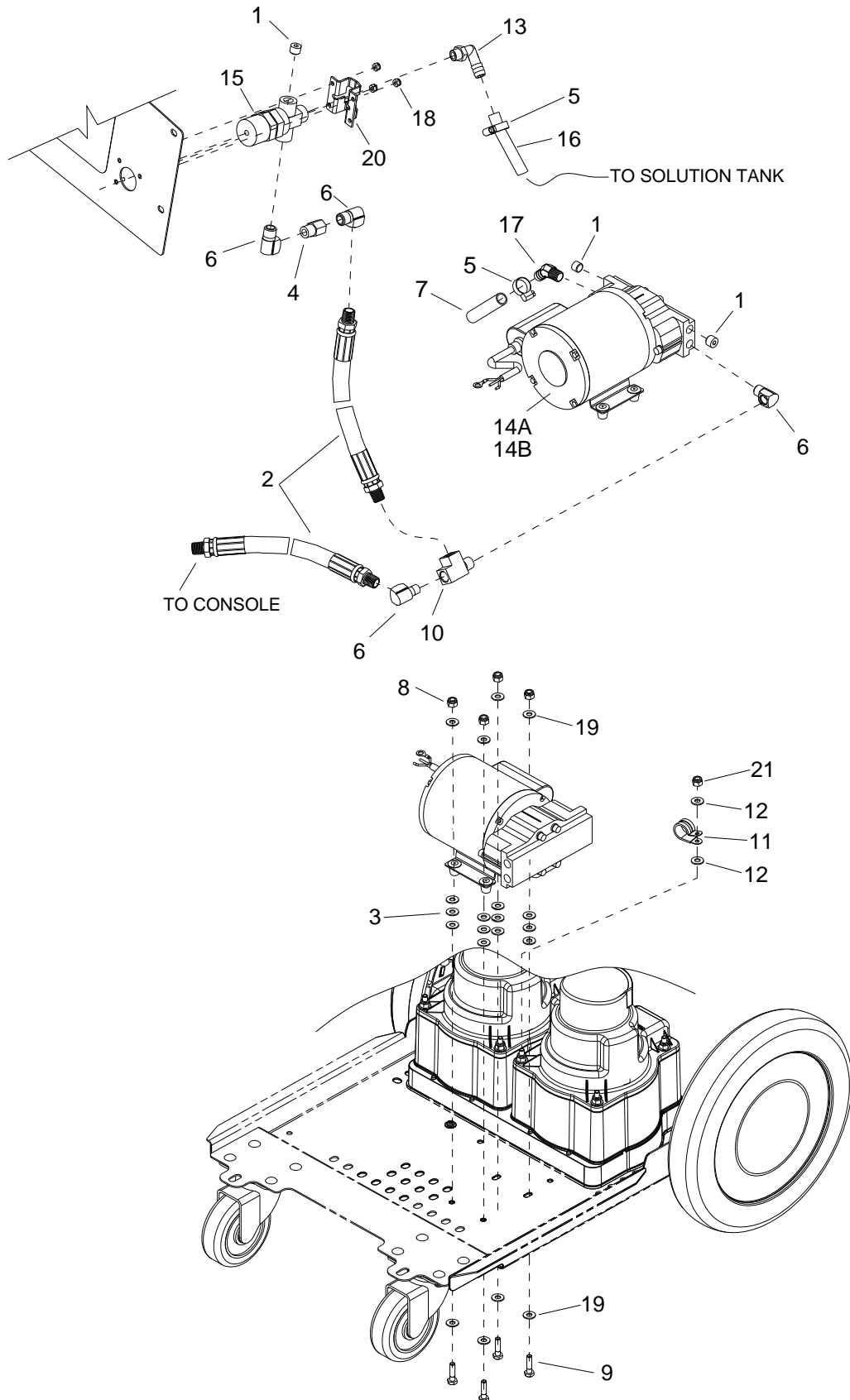


REF	PART NO.	QTY	DESCRIPTION	SERIAL NO. FROM	NOTES
1	86201510	2	SPACER NYLON 1/4ID X 1/2 OD		
2	86005670	1	NUT, 1/2 NPT CONDUIT		
3	86005700	3	NUT, 10-32 W/STAR WASHER PLTD		
4	86273830	2	SCR, 1/4-20 X 1/2 HHCS SS		
5	86006850	2	SET SCR, 1/4-20 X 1.25L		
6	86256200	1	STRAIN RELIEF, 1/2 NPT FLEX		
7	86161480	1	FLTR, INLINE 16A		
8	86010630	2	WASHER, 1/4 X 5/8 FLAT SS		
9	86316460	1	BRKT, ELECTRICAL		
10	86316540	1	CONNECTOR, 5 POS, PUSH WIRE		
11	86316700	1	BRKT, CORD STRAIN RELIEF		
12A	86199550	1	CORDSET, 1.5MM2X25 SAA/3, BLK1A		AUSTRALIA
12B	86311950	1	CORDSET, EURO, IPX4, 1.5MMX40FT		EUROPE
13	86319090	1	FUSE HOLDER, PANEL MNT		
14	86236940	1	FUSE, 2 AMP TYPE MDA		
15	86317580	1	BRKT, CORD, BLANK		
16	86005810	2	NUT, 1/4-20 NYLOCK		
17	86323330	2	WASHER, 1/4" ID X 1.0D FLAT BLK		
18	86198460	1	CLAMP, 5/8 NYLON UL/CSA		
19	86006590	1	SCREW, 10-32 X 1/2 PPHMS SS NP		

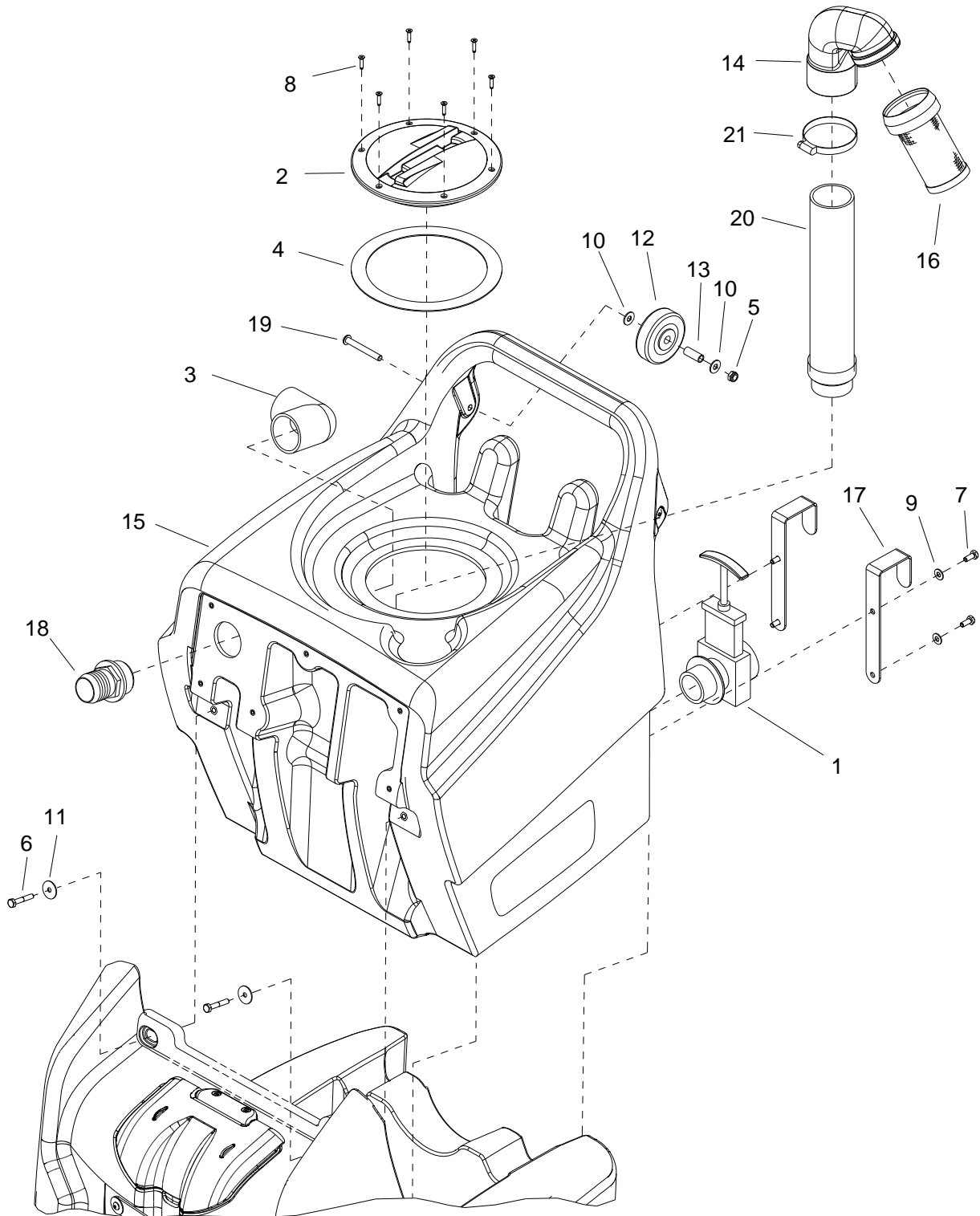
Frame



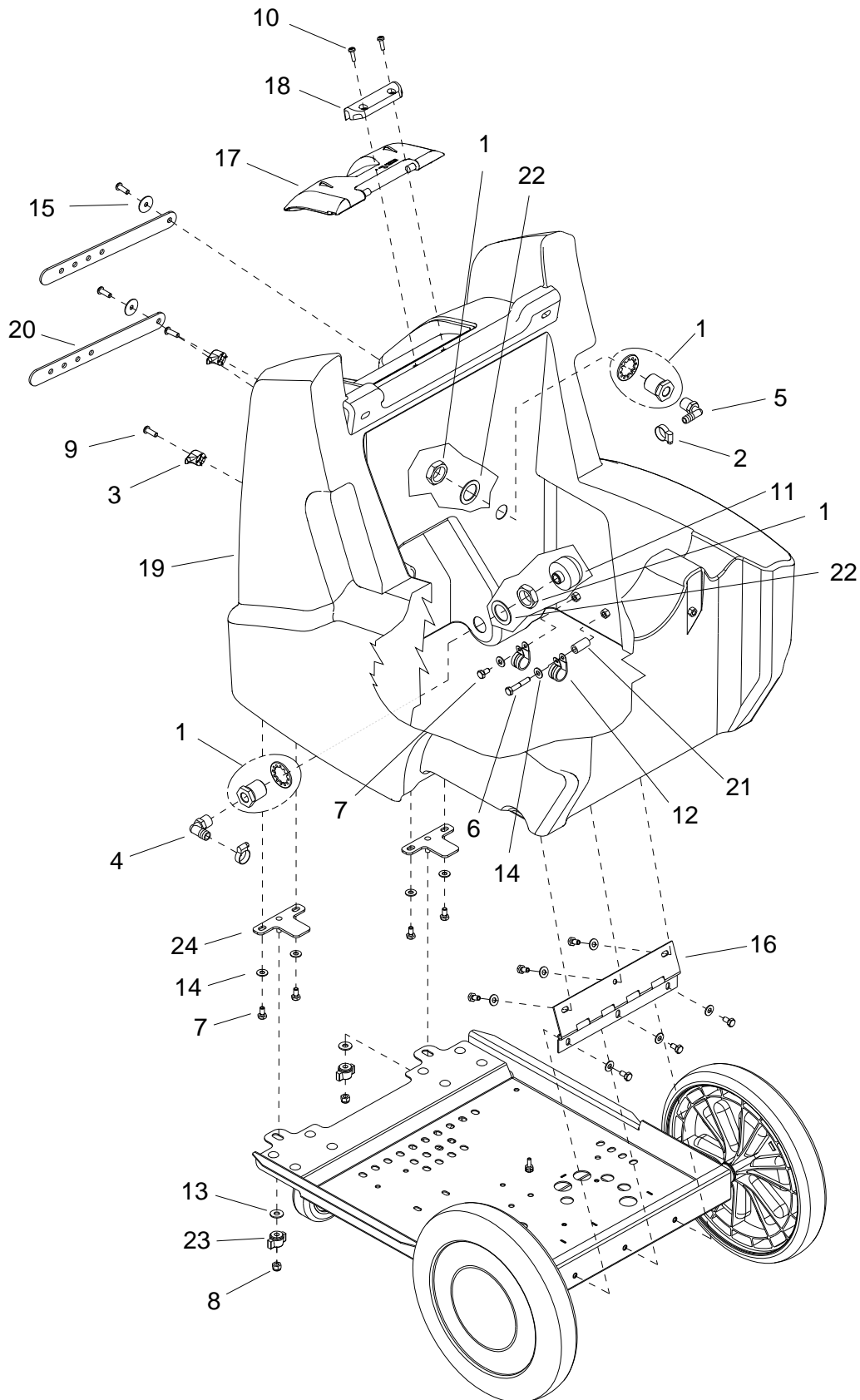
REF	PART NO.	QTY	DESCRIPTION	SERIAL NO. FROM	NOTES
1	86199430	2	CASTER, SWIVEL 4" 250# CPCTY		
2	86001660	2	HUBCAP, 5/8 SHAFT		
3	86005810	8	NUT, 1/4-20 HEX NYLOCK SS		
4	86276080	1	SCR, 10-32 X 1" PPHMS GRN		
5	86010630	8	WASHER, 1/4 X 5/8 FLAT SS		
6	86005700	2	NUT, 10-32 HEX W/STAR		
7	86010730	4	WASHER, 5/8 X 1-3/16 FLAT SS		
8	86300070	2	HUBCAP, 9.75" WHEEL, BLACK		
9	86309790	2	WHEEL, 12" X 2.25"		
10	86312830	1	FRAME, 5/8" AXLE, DUAL VAC		
11	86277500	8	SCR, 1/4-20 X 5/8 CARR SS		



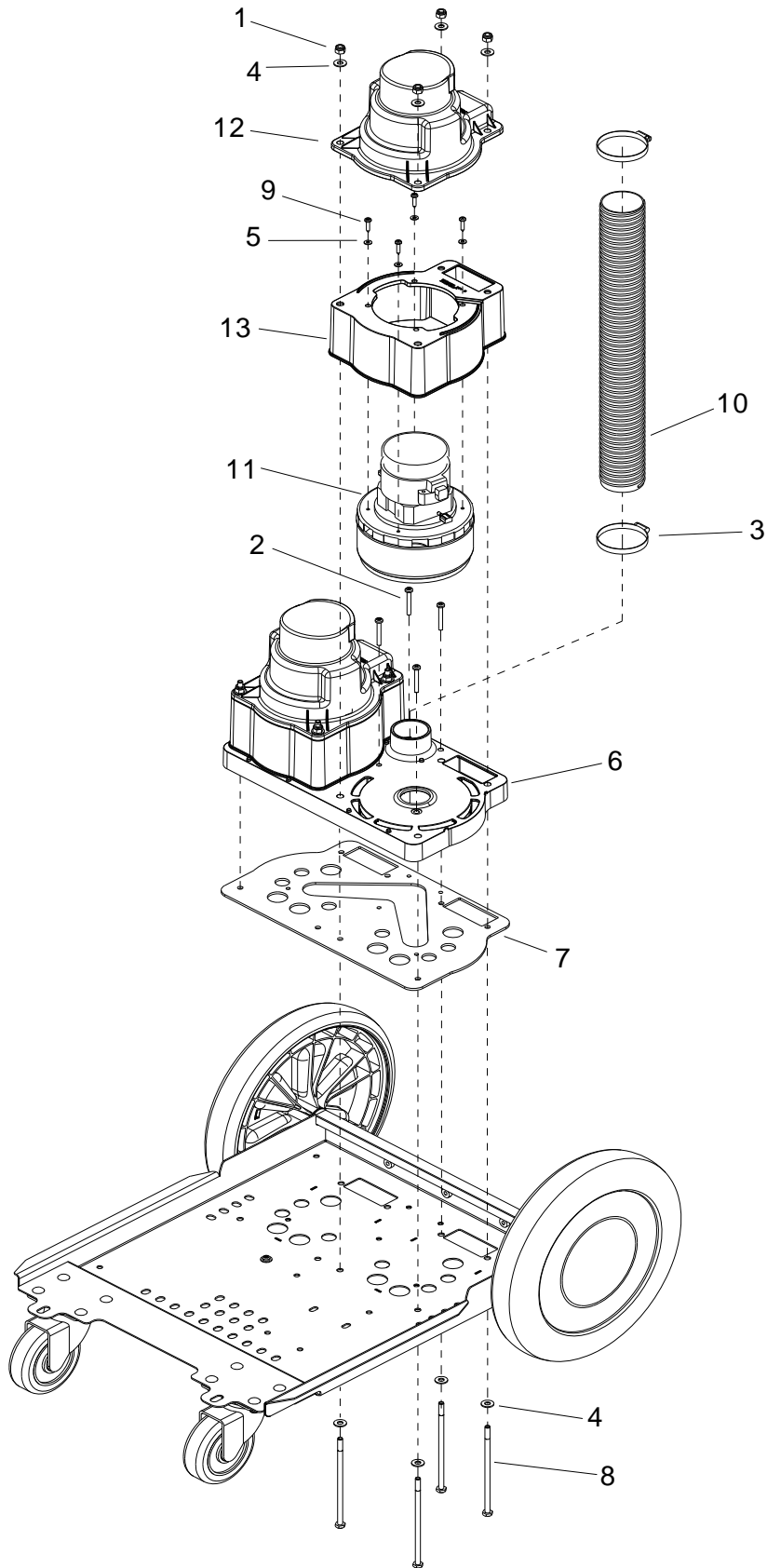
REF	PART NO.	QTY	DESCRIPTION	SERIAL NO. FROM	NOTES
1	86272730	3	PLUG, 1/4 BRASS PIPE		
2	86200260	2	HOSE,PULSE 47.0 1/4MPT X 1/4MPT		
3	86323300	12	WASHER, 1/4" RUBBER		
4	86197270	1	ADPTR, 1/4MPT X 1/4FPT BR		
5	86233150	2	CLAMP, 3/8 WORM GEAR		
6	86197360	4	ELBOW, 1/4 NPT STREET		
7	86318390	1	HOSE, 1/2" ID WIRE BOUND X 42"		
8	86270990	4	NUT 10-32 HEX NYLOCK SS		
9	86274450	4	SCR, 10-32 X 1.25 HHMS PLTD		
10	86197760	1	TEE, 1/4 STREET		
11	86233410	1	CLAMP, 3/4 DIA CUSHION .406 DIA		
12	86010630	2	WASHER, 1/4 X 5/8 FLAT SS		
13	86240500	1	HOSEBARB, 1/4MPT X 3/8 9OD NYL		
14A	86200940	1	PMP & MTR,200PSI 230V AC NINJA		AUSTRALIA
14B	86349970	1	PUMP AND MOTOR 200PSI 230V PM		EUROPE
15	86199580	1	D/B BPR 200PSI		
16	86321470	1	HOSE, 3/8ID WIRE BOUND X 26"		
17	86184900	1	HOSEBARB, 1/4MPT X 1/2H 45 BR		
18	86270850	3	NUT, 8-32 HEX NYLOCK		
19	86010650	8	WASHER #10 X 9/16 OD		
20	86355740	1	BRKT, P/P BPR		
21	86005710	1	NUT, 1/4-20 HEX W/STAR WASHER		



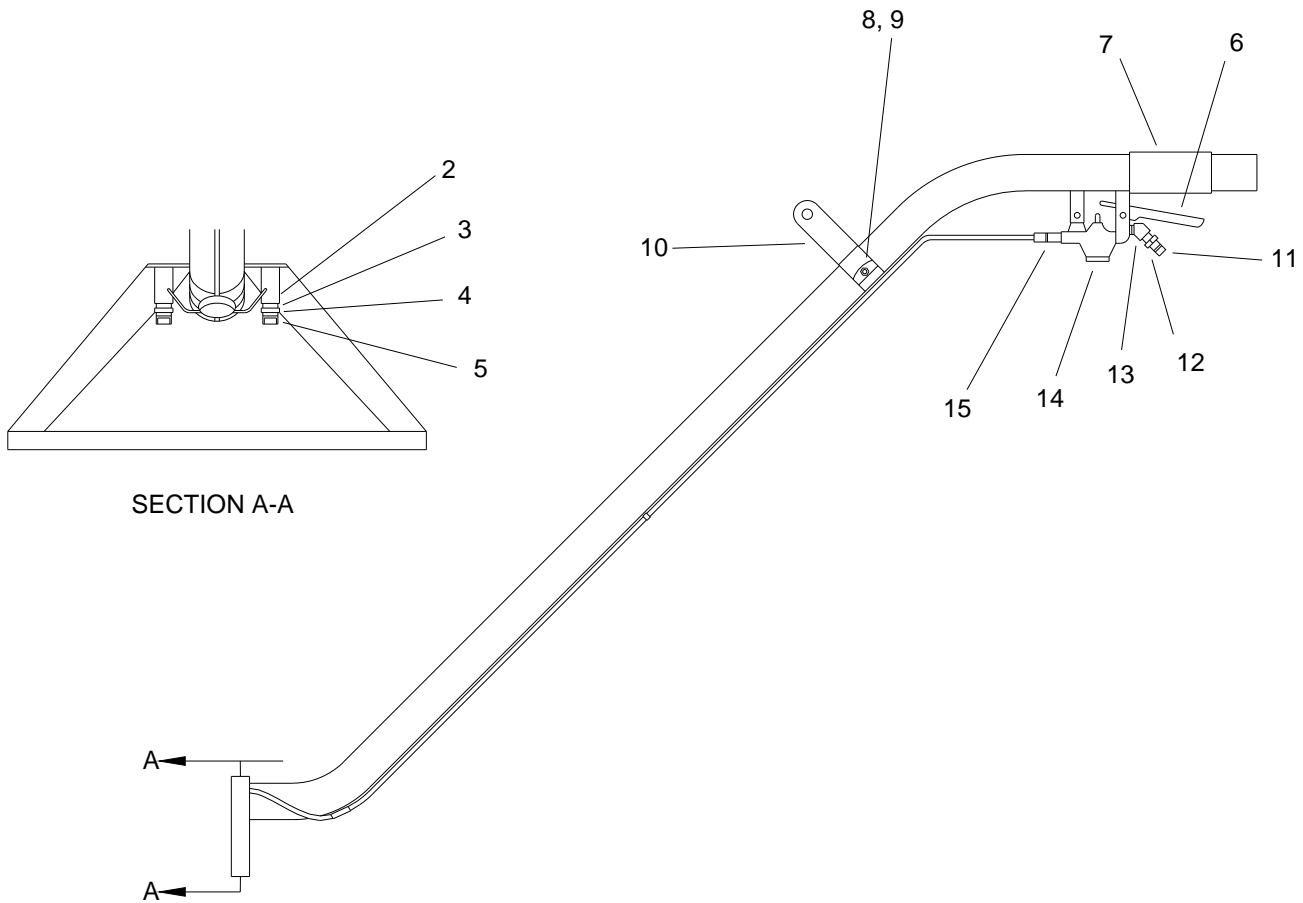
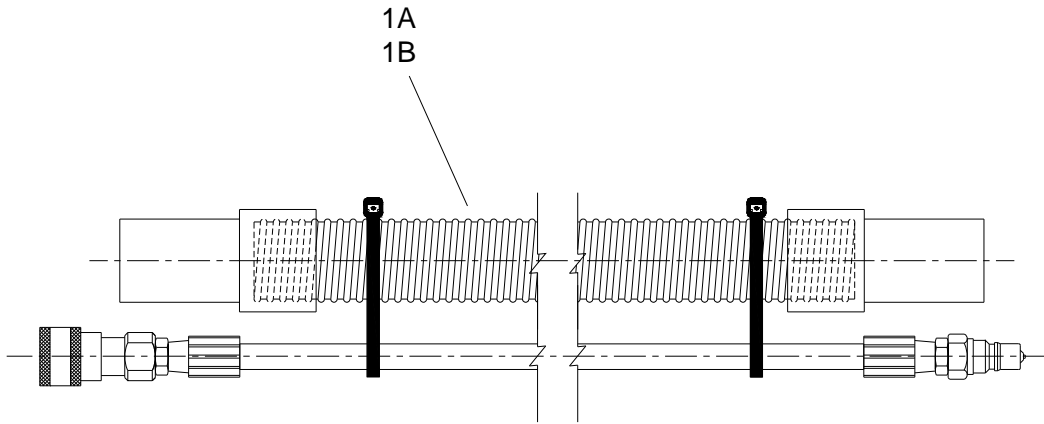
REF	PART NO.	QTY	DESCRIPTION	SERIAL NO. FROM	NOTES
1	86161460	1	DUMP VALVE, 1 1/2		
2	86334990	1	DECK PLATE ASM, 6", YLW		
3	86197820	1	ELBOW, 1.5 FPT X FS PVC		
4	86004000	1	GASKET, TANK LID		
5	86197040	2	NUT, 5/16-18 HEX ACORN PLTD		
6	86273740	2	SCR, 1/4-20 X 1.50 HHCS SS		
7	86273750	4	SCR, 1/4-20 X 5/8 HHCS SS		
8	86275800	6	SCR, 8 X 3/4 PFHT/S BLK ZINC		
9	86010630	4	WASHER, 1/4 X 5/8 FLAT SS		
10	86010670	6	WASHER, 5/16 X 3/4 SS		
11	86323330	2	WASHER, 1/4 ID X 1.0 OD FLAT BLK		
12	86011020	2	WHEEL, 3" DIA. CUSHION RUBBER		
13	86001350	2	BUSHING, SPANNER .435 X 1.10		
14	86311510	1	ADAPTER, FLOAT 30 DEG, 2		
15	86312360	1	TANK, RECOVERY, TRIMMED		
16	86313040	1	SCRN, FLOAT, SHTOFF, 2		
17	86316710	2	BRKT, CORD, MOUNT		
18	86317230	1	HOSEBARB, 1.5MPT X 1.5 W/FLNG		
19	86317720	2	SCR, 5/16-18 X 2.50 BSHCS SS		
20	86320790	1	PIPE ASM, 2", VACUUM		
21	86233120	1	CLAMP, 2.75" WORM GEAR		



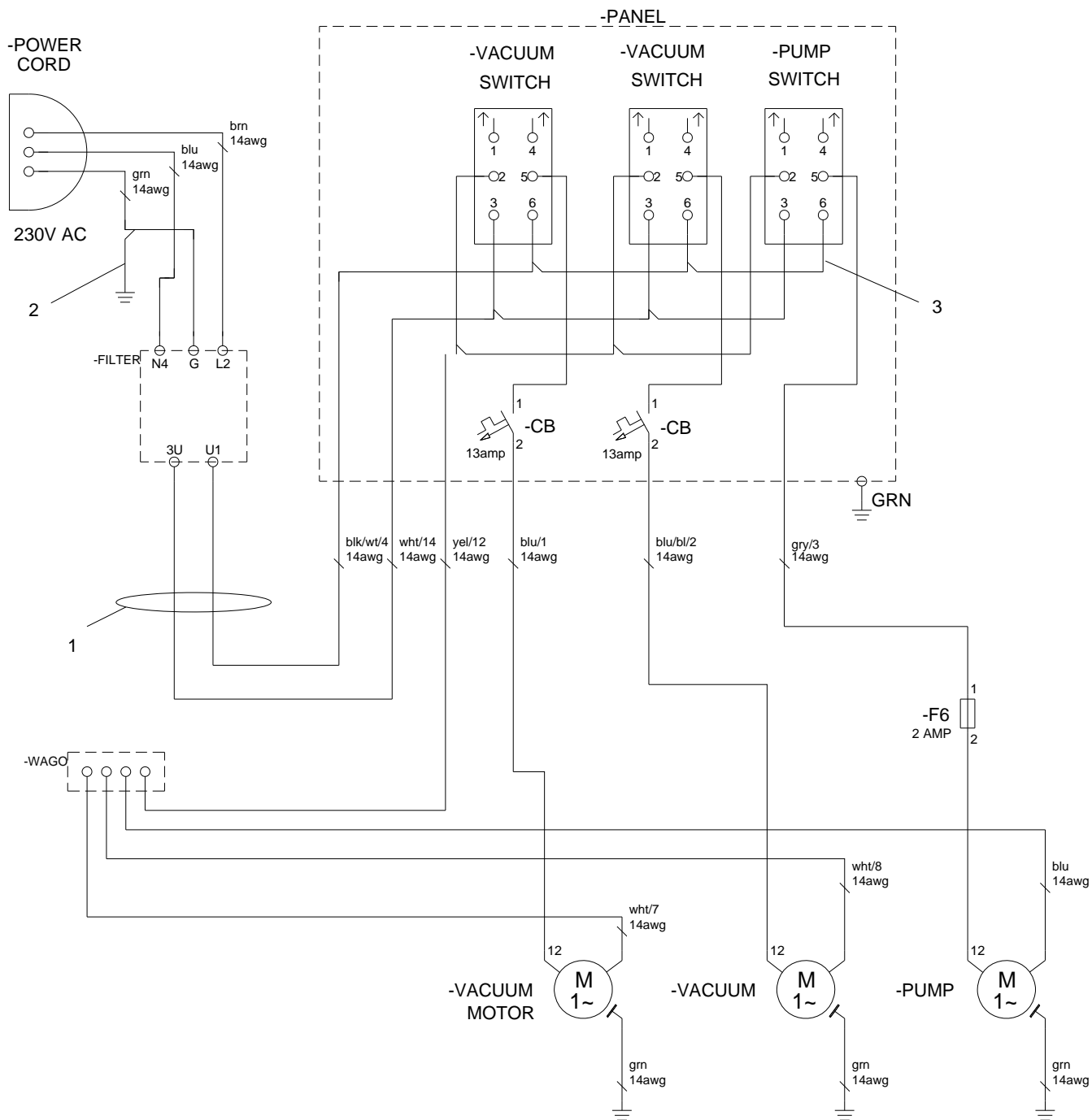
REF	PART NO.	QTY	DESCRIPTION	SERIAL NO. FROM	NOTES
1	86173640	2	ADPT,3/8 BLKHD		COMPLETE
2	86233150	2	CLAMP, 3/8 WORM GEAR		
3	86238460	2	HOOK, STRAP		
4	86197940	1	HOSEBARB, 3/8 MPT X 1/2 HOSE 90°		
5	86001550	1	HOSEBARB, 3/8 MPT X 3/8 HOSE 90°		
6	86273740	1	SCR, 1/4-20 X 1.50 HHCS SS		
7	86273830	11	SCR, 1/4-20 X 1/2 HHCS SS		
8	86005810	2	NUT, 1/4-20 HEX NYLOCK SS		
9	86324210	4	SCR, 1/4-20 X 5/8 BHCS BLK		
10	86276160	2	SCR, 10-32 X 5/8 PPHMS BLK		
11	86007970	1	STRAINER, 3/8 IN. NPT 60 MESH		
12	86233410	2	CLAMP, 3/4 DIA CUSHION .406 DIA		
13	86010670	2	WASHER, 5/16 X 3/4 SS		
14	86010630	12	WASHER, 1/4 X 5/8 FLAT SS		
15	86323330	2	WASHER, 1/4 ID X 1.0 OD FLAT BLK		
16	86311990	1	HINGE, 9.5" LG X .074 THK		
17	86312000	1	LID, SOLUTION, COVER		
18	86312010	1	LID, SOLUTION, HINGE BRKT		
19	86321370	1	TANK, SOL, TRIM		
20	86297620	2	STRAP, HAND TOOL		
21	86317560	1	SPACER, .50 ODX .28 ID X 1.0L		
22	86318790	2	WASHER, 1.032ID X 1.5OD X .062THK		
23	86242130	2	KNOB, 1/4 HEX PRESS-LOC WING		
24	86324030	2	PLATE, MOUNTING, SOLUTION		



REF	PART NO.	QTY	DESCRIPTION	SERIAL NO. FROM	NOTES
1	86005810	8	NUT, 1/4-20 HEX NYLOCK SS		
2	86274090	5	SCR, 10-32 X 1.5 PPHMS		
3	86233430	2	CLAMP, 2.50 WORM GEAR		
4	86010630	16	WASHER, 1/4 X 5/8 FLAT SS		
5	86278990	8	WASHER, #8 X 3/8 FLAT		
6	86311520	1	MANIFOLD, VACUUM, DUAL		
7	86312990	1	GASKET, VAC MANIFOLD, DUAL		
8	86314710	8	SCR, 1/4-20 X 5.50 HHCS PLT		
9	86317630	8	SCR, #8 X 3/4" PPHSMS TYPE AB		
10	86318300	1	HOSE, VAC, 2.0 ID X 18.5"L		
11	86348730	2	VAC ASM, 2-STAGE, 230V		
-	86135330	-	BRUSH SET, 230V VAC MTR WINDSOR		
12	86312080	2	COVER, VAC MOTOR		
13	86312220	2	BASE, VAC MOTOR, 2-STAGE		
-	86319020	-	VAC HOUSING, 2-STAGE		INCLUDES 12, 13



REF	PART NO.	QTY	DESCRIPTION	SERIAL NO. FROM	NOTES
1A	86241890		KIT, HOSE ASM 25' HP/1.5"-VAC		
1B	86260740		HOSE ASM,16.5' HP-M/1/5"-VAC		
2	86241500		JET BODY, 1/4MPT		
3	86201720		TEE-JET CHECK VALVE FINE		
4	86002820		CAP NOZZLE		
5	86201670		TEE JET TIP 9501 S/S		
6	86136900		SOLUTION LEVER/DIP W/HDWR		
7	86202200		WAND GRIP 1 1/2 X 6		
8	86273750		SCR, 1/4-20 X 5/8 HHCS SS NP		
9	86005710		NUT 1/4-20 HEX W/STAR WASHER		
10	86135760		HANDLE GRIP ASSEMBLY 1.5"T		
11	86005580		NIPPLE 1/4 FPT QD		
12	86005590		NIPPLE 1/4 CLOSE		
13	86197390		ELBOW, 1/4NPT 45D STREET		
14	86137260		VALVE, SOLUTION		
15	86197320		CONNECTOR, 1/4MPT X 1/4 TUBE		
-	86000600		DELUXE PROFESSIONAL WAND		COMPLETE



REF	PART NO.	QTY	DESCRIPTION	SERIAL NO. FROM	NOTES
1	86327730	1	HARNESS, MAIN HEATED		
2	86349610	1	WIRE 8" GRN/14 #10 RING X PIG-BK SPADE		
3	86308760	1	WIRE, 4", BLK/14 76050 X 76029		

Serial Number

REF. NO.	MODEL: SERIAL #
1	N/A

