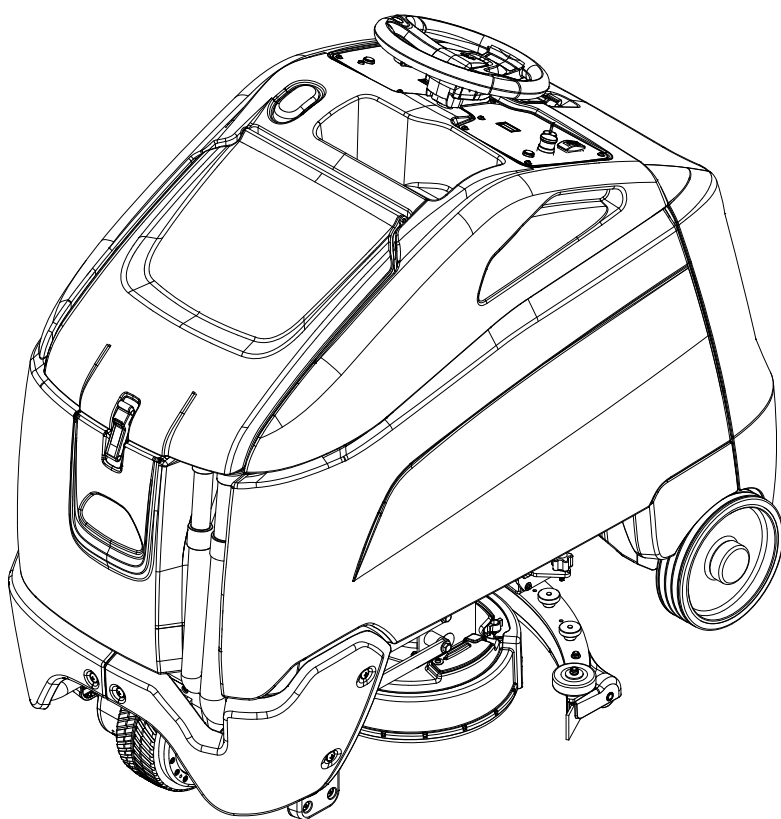


Chariot 3



iScrub 26

Operating Instructions (ENG)



MODELS:	CS26 1.006-150.0
	CSC26 1.006-151.0
	CSM26 1.006-158.0
	CSCM26 1.006-159.0
	CS26SP 1.006-152.0
	CSC26SP 1.006-153.0
	CSM26SP 1.006-160.0
	CSCM26SP 1.006-161.0

*Prior To Serial Number
(Ref No 5)*

** See Serial number page or
call manufacturer.*

Read these instructions before using the machine.



Machine Data Label / Overview

Model: _____

Date of Purchase: _____

Serial Number: _____

Dealer: _____

Address: _____

Phone Number: _____

Sales Representative: _____

Overview

The Chariot Scrubber is a battery powered, stand-on, hard floor scrubber intended for commercial use. The appliance applies a cleaning solution onto a hard floor, scrubs the floor with brushes or pads, and then vacuums the soiled water back into the recovery tank.

Warranty Registration

Thank you for purchasing a Windsor product. Warranty registration is quick and easy. Your registration will allow us to serve you better over the lifetime of the product.

To register your product go to:

www.windsorind.com/WarrantyRegistration.aspx

For customer assistance:

1-800-444-7654



Machine Data Label / Overview	2	To Repair or Replace Vacuum Motor	47
Table of Contents	3	Drive Motor	48
 		Electric Parking Brake Engagement	49
Safety		Drive Motor Carbon Brush Replacement	49
IMPORTANT SAFETY INSTRUCTIONS	5	Transporting	50
HAZARD INTENSITY LEVEL	7	Troubleshooting	51
Safety Label Locations	9	Controller Fault Codes	53
 		Parts	
Operations		Bumper	56
Technical Specifications	10	Console	58
How This Machine Works	12	Console Mounting	60
Components	13	Control Panel - Upper	62
Drive Controls	15	Control Panel-Lower	64
Scrub Controls	18	Control Panel Mounting	66
Pre-Run Machine Inspection	20	Decals	68
Starting Machine	20	Drive Mounting	70
Emergency Stop Procedures	20	Frame	72
Filling Solution Tank	20	Platform	74
Normal Scrubbing	21	Platform Footbox & Rear Wheels	76
To Begin Scrubbing	22	Rear Cover	78
To Stop Scrubbing	22	Scrub Deck - Disk	80
Double Scrub	22	Scrub Deck - Cylindrical	82
Emptying and Cleaning Tanks	23	Scrub Deck Lift - Disk	84
Solution Tank	23	Scrub Deck Lift - Cylindrical	86
Optional Chemical Metering System	23	Scrub Deck Skirts	88
Squeegee Disk	24	Scrub Deck Mounting - Disk	90
Squeegee - Cylindrical	25	Scrub Deck Mounting - Cylindrical	92
 		Scrub Brush/Pads Driver - Disk	94
Maintenance		Scrub Brush/Pads Driver - Cylindrical	96
Service Schedule	27	Solution System - Disk	98
Batteries	28	Solution System - Cylindrical	100
Changing Batteries	32	Squeegee - Disk	102
Battery Charger Programming	33	Squeegee - Cylindrical	104
Squeegee - Disk	34	Squeegee Lift	106
Squeegee - Cylindrical	34	Squeegee Swing - Disk	108
Squeegee Blades	35	Squeegee Swing - Cylindrical	110
Scrub Deck - Disk	36	Steering	112
Scrub Brushes	37	Tank	114
Finished Floors	37	Vacuum	116
Replacing or Installing Scrub Brushes - Disk	38	Wiring-Batteries	118
To Replace Scrub Brush Motors	39	Wiring-Components	120
Brush Motor Carbon Brush Replacement	39	Wiring 1	122
Scrub Deck - Cylindrical	40	 	
Replacing or Installing Scrub Brushes - Cylindrical	41	Options	
Actuator Scrub Deck Removal / Replacement	42	Chemical Metering Solution System - Disk	138
Scrub Deck Actuator Adjustment	42	Chemical Metering Solution System - Cylindrical	140
Circuit Protection	43	Control Panel - Chemical Solution Metering	142
Solution	44	Onboard Charger	144
Solution Strainer	45	Battery Exchange - 1	146
Solenoid Valve	45	Battery Exchange - 2	148
Chemical Bottle (Optional)	45	Battery Exchange - 3	150
Flow Meter (Optional)	45	Suggested Spare Parts	152
Vacuum	46	Serial Numbers	153
Recovery Tank Float Shut-off	47		

How To Use This Manual

This manual contains the following sections:

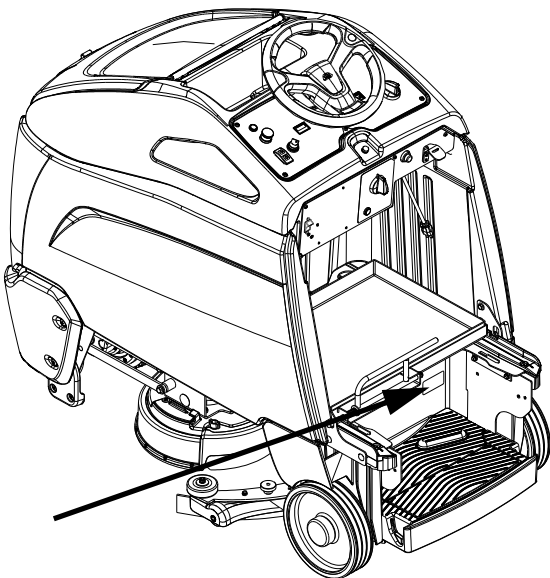
- How to Use This Manual
- Safety
- Operations
- Maintenance
- Parts List

The HOW TO USE THIS MANUAL section will tell you how to find important information for ordering correct repair parts.

Parts may be ordered from authorized dealers. When placing an order for parts, the machine model and machine serial number are important. Refer to the MACHINE DATA box which is filled out during the installation of your machine. The MACHINE DATA box is located on the inside of the front cover of this manual.

Model:	_____
Date of Purchase:	_____
Serial Number:	_____
Dealer:	_____
Address:	_____
Phone Number:	_____
Sales Representative:	_____

The model and serial number of your machine is located on the back of the machine.



The SAFETY section contains important information regarding hazardous or unsafe practices of the machine. Levels of hazards are identified that could result in product damage, personal injury, or severe injury resulting in death.

The OPERATIONS section is to familiarize the operator with the operation and function of the machine.

The MAINTENANCE section contains preventive maintenance to keep the machine and its components in good working condition. They are listed in this general order:

- Service Schedule
- Batteries
- Squeegee
- Scrub Brush
- Vacuum
- Drive Motor
- Troubleshooting

The PARTS LIST section contains assembled parts illustrations and corresponding parts list. The parts lists include a number of columns of information:

- **REF** – column refers to the reference number on the parts illustration.
- **PART NO.** – column lists the part number for the part.
- **QTY** – column lists the quantity of the part used in that area of the machine.
- **DESCRIPTION** – column is a brief description of the part.
- **SERIAL NO. FROM** – If this column has an (*) and a Reference number, see the SERIAL NUMBERS page in the back of your manual. If column has two asterisk (**), call manufacturer for serial number. The serial number indicates the first machine the part number is applicable to. The main illustration shows the most current design of the machine. When a boxed illustration is shown, it displays the older design.
- **NOTES** – column for information not noted by the other columns.

NOTE: If a service or option kit is installed on your machine, be sure to keep the KIT INSTRUCTIONS which came with the kit. It contains replacement parts numbers needed for ordering future parts.

NOTE: The manual part number is located on the lower left corner of the front cover.

IMPORTANT SAFETY INSTRUCTIONS

When using this machine, basic precaution
must always be followed, including the following:

READ ALL INSTRUCTIONS BEFORE USING THIS MACHINE.

⚠ WARNING:

To reduce the risk of fire, electric shock, or injury:

Use only indoors. Do not use outdoors or expose to rain.

Use only as described in this manual. Use only manufacturer's recommended components and attachments.

If the machine **is not working properly**, has been dropped, damaged, left outdoors, or dropped into water, return it to an authorized service center.

Do not operate the machine with any openings blocked. Keep openings free of debris that may reduce airflow.

This machine **is not** suitable for picking up hazardous dust.

Do not operate this machine near flammable fluids, dust or vapors.

Maintenance and repairs **must be done** by qualified personnel.

If foam or liquid comes out of machine, **switch off immediately**.

Disconnect battery before cleaning or servicing.

Before the machine is discarded, the batteries **must be removed** and properly disposed of.

Make sure all warning and caution labels **are legible and properly attached** to the machine.

During operation, attention shall be paid to other persons, especially children.

Before use, all covers and doors shall be put in the positions specified in the instructions.

When leaving unattended, secure against unintentional movement.

The machine shall only be operated by instructed and authorized persons.

When leaving unattended, switch off or lock the main power switch to prevent unauthorized use.

Only chemicals recommended by the manufacturer shall be used.

This appliance has been designed for use with the brushes specified by the manufacturer. The fitting of other brushes may affect its safety.

Do not use on surfaces having a gradient of over 10% (6 degrees).

READ AND SAVE THESE INSTRUCTIONS

MESURES DE SÉCURITÉ IMPORTANTES

Lors de l'utilisation d'un appareil à batteries, il est nécessaire de respecter systématiquement des mesures de sécurité de base, comme suit:

PRENEZ NOTE DE TOUTES CES MESURES AVANT D'UTILISER CETTE MACHINE.

⚠ AVERTISSEMENT:

Pour réduire les risques d'incendie, de chocs électriques, ou de blessures:

N'utiliser cette machine qu'en intérieur. Ne jamais l'utiliser à l'extérieur ou dans la pluie.

Utiliser cet appareil conformément aux instructions du présent manuel uniquement. N'utiliser que les composants et les accessoires conseillés par le fabricant.

Lorsque la machine ne fonctionnant pas correctement, a fait l'objet d'une chute ou d'une détérioration, a été laissée à l'extérieur, est tombée dans l'eau, la retourner au centre de service agréé.

Ne pas opérer la machine lorsque les conduits de ventilation sont bloquées. Débarrasser les débris des conduits, car ils peuvent réduire l'écoulement d'air.

Cette machine n'est pas adaptée au ramassage de poussières dangereuses

Ne pas l'utiliser près de liquides, de poussières ou de vapeurs inflammables.

L'entretien et les réparations de la machine doivent être effectuées par un personnel qualifié.

Si de la mousse ou du liquide sort de la machine, la mettre hors tension immédiatement.

Déconnecter les batteries avant de nettoyer la machine ou de la soumettre à un entretien.

Avant de se débarrasser de la machine, il est nécessaire de retirer les batteries et de les jeter correctement.

S'assurer que toutes les plaques d'avertissement ou de précaution sont lisibles et fixées correctement sur la machine.

Durant la manoeuvre de la machine, prendre garde aux personnes environnantes et notamment aux enfants.

Avant l'utilisation de la machine, veiller à positionner tous les couvercles et portes comme indiqué dans les instructions.

Lorsque la machine est laissée sans surveillance, s'assurer qu'elle ne se déplace pas de manière accidentelle.

Cette machine ne doit être manoeuvrée que par un personnel expérimenté et qualifié.

Lorsque la machine est laissée sans surveillance, la mettre hors tension ou verrouiller l'interrupteur principal afin d'empêcher un emploi non autorisé.

Seuls les produits chimiques recommandés par le fabricant doivent être utilisés.

Cette machine a été conçue pour être utilisée avec des brosses spécifiées par le fabricant.

L'utilisation d'autres brosses peut affecter sa sûreté.

N'employez pas sur des surfaces ayant un gradient de plus de 10% (6 degrés).

CONSERVER CES INSTRUCTIONS

The following symbols are used throughout this guide as indicated in their descriptions:

HAZARD INTENSITY LEVEL

There are three levels of hazard intensity identified by signal words -**WARNING** and **CAUTION** and **FOR SAFETY**. The level of hazard intensity is determined by the following definitions:

WARNING:

WARNING - Hazards or unsafe practices which COULD result in severe personal injury or death.

CAUTION:

CAUTION - Hazards or unsafe practices which could result in minor personal injury or product or property damage.

FOR SAFETY: To Identify actions which must be followed for safe operation of equipment.

Report machine damage or faulty operation immediately. Do not use the machine if it is not in proper operating condition. Following is information that signals some potentially dangerous conditions to the operator or the equipment. Read this information carefully. Know when these conditions can exist. Locate all safety devices on the machine. Please take the necessary steps to train the machine operating personnel.

FOR SAFETY:

DO NOT OPERATE MACHINE:

Unless Trained and Authorized.

Unless Operation Guide is Read and understood.

In Flammable or Explosive areas.

In areas with possible falling objects.

WHEN SERVICING MACHINE:

Avoid moving parts. Do not wear loose clothing; jackets, shirts, or sleeves when working on the machine. Use Karcher approved replacement parts.

WARNING:

Batteries emit hydrogen gas. Explosion or fire can result. Keep sparks and open flame away. Keep battery compartment open during charging. Keep sparks and flames away from the batteries. Do not smoke around batteries.

WARNING:

Disconnect batteries before working on machine. Only qualified personnel should work inside machine. Always wear eye protection and protective clothing when working on or near batteries. Avoid skin contact with the acid contained in the batteries.

WARNING:

Never allow metal to lie across battery tops.

Les symboles ci-dessous sont utilisés à travers ce manuel comme illustré dans leurs descriptions:

DEGRÉS DE RISQUES EN CAS DE DANGER

Il existe trois degrés de risques identifiés par les termes signalétiques -AVERTISSEMENT et ATTENTION et POUR VOTRE SÉCURITÉ. Le degré de risque est défini de la manière suivante:

⚠ AVERTISSEMENT:

AVERTISSEMENT - Dangers ou méthodes dangereuses qui POURRAIENT provoquer de graves blessures ou entraîner la mort.

⚠ ATTENTION:

ATTENTION - Dangers ou méthodes dangereuses qui pourraient provoquer des blessures légères ou une détérioration du produit ou des biens immobiliers.

POUR VOTRE SÉCURITÉ: ce signe permet d'identifier les mesures de précaution à prendre pour assurer un bon fonctionnement du matériel.

Rendre compte immédiatement d'une défaillance ou d'une détérioration de la machine. Ne pas utiliser la machine si celle-ci ne fonctionne pas correctement. Lire soigneusement les informations ci-dessous signalant certains dangers potentiels pour l'opérateur de la machine. L'opérateur doit être absolument au courant de ces dangers potentiels. Localiser tous les dispositifs de sécurité sur la machine. Il est conseillé de prendre les mesures nécessaires pour former le personnel opérateur.

POUR VOTRE SÉCURITÉ:

NE PAS MANOEUVRER LA MACHINE:

Lorsqu'on n'est pas expérimenté ou qualifié.

Lorsque le guide d'utilisation n'est pas été lu ou compris.

Dans des zones inflammables ou explosives.

Dans des zones où des objets peuvent tomber.

LORS DE L'ENTRETIEN DE LA MACHINE:

Éviter les parties amovibles. Ne pas porter de vêtements amples, tels que des vestes, des chemises ou des vêtements avec manches lors de l'utilisation de la machine. Utiliser les pièces détachées Karcher homologuées.

⚠ AVERTISSEMENT:

Les batteries émettent le gaz d'hydrogène. L'explosion ou le feu peut résulter. Étincelles de subsistance et flamme nue loin. Compartiment de batterie de subsistance ouvert en chargeant. Étincelles et flammes de subsistance loin des batteries. Ne fumez pas autour des batteries.

⚠ AVERTISSEMENT:

Déconnecter les batteries avant de travailler sur la machine. La machine ne doit être confiée qu'à un personnel qualifié. Porter systématiquement des lunettes et des vêtements de protection lors d'une intervention sur les batteries ou aux alentours. Éviter tout contact de la peau avec l'acide contenu dans les batteries.

⚠ AVERTISSEMENT:

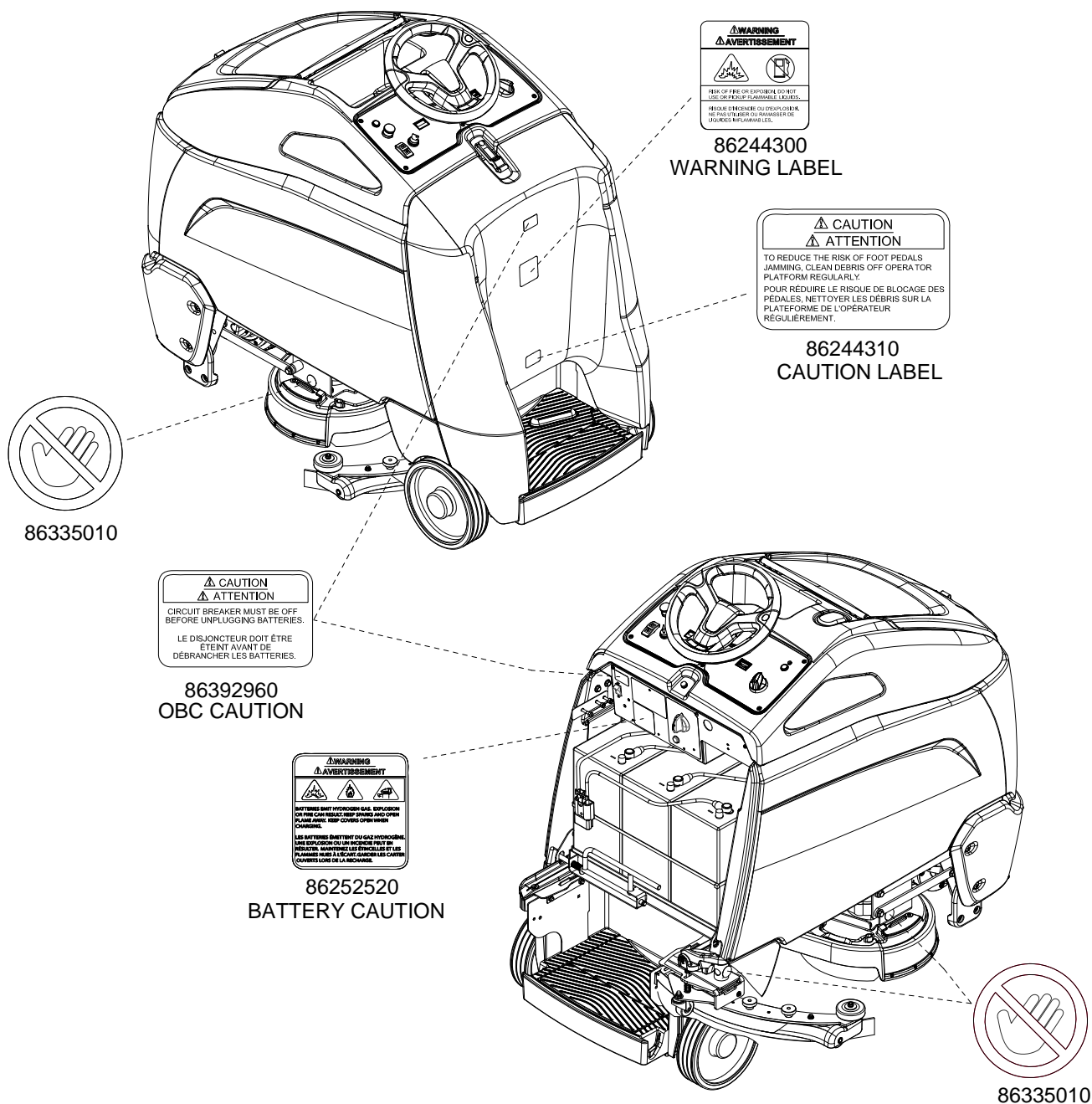
Ne jamais placer d'objets métalliques sur le dessus des batteries.

Safety Label Locations

These drawings indicate the location of safety labels on the machine. If at any time the labels become illegible, promptly replace them.

EMPLACEMENT DE L'ÉTIQUETTE DE SÉCURITÉ

REMARQUE : Ces dessins indiquent l'emplacement des étiquettes de sécurité sur la machine. Si, à tout moment, les étiquettes deviennent illisibles, contactez votre représentant autorisé pour un remplacement rapide

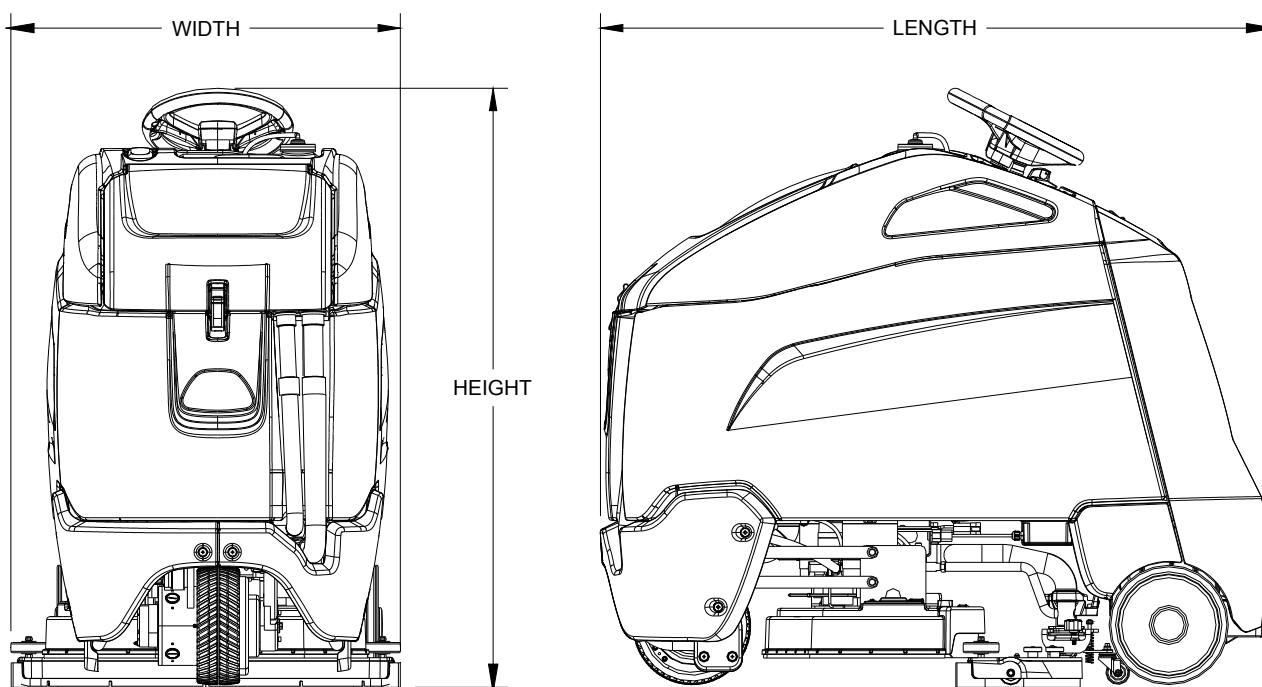


Operations

Technical Specifications

ITEM	DIMENSION/CAPACITY
Nominal power	1800 W
Rated Voltage	36 Volts DC
Rated Amperage	50 amps
Batteries	3 X12 Volt 205-234 AH @ 20 hr. rate
Battery Compartment Dimensions	21 in. x 16 in. x 17 in. tall (533mm x 406mm x 432mm)
Scrub Brush Motors - Disk Machine	2 x.5 HP (350 W)
Scrub Brush Motors - Cylindrical Machine	2 x .75 HP (560W)
Vacuum Motor(s)	.63 HP (470 W)
Maximum flow rate of vacuum motor	72 cfm (33.98 liters per second)
Maximum suction of vacuum motor	47.3 inches of water (11.7 kPa)
Propelling Motor	0.8 HP (600 W) 36V DC motor
Mass (GVW)	1274 lbs (578 kg)
Weight empty without batteries	420 lbs (191 kg)
Solution Control	Variable with automatic shut-off in neutral
Solution capacity	25 gal (95 L)
Recovery capacity	27 gal (102 L)
Scrub brush diameter - Disk Machine	13 inch (330 mm)
Scrub brush diameter - Cylindrical Machine	4.1 inch (105 mm)
Scrub brush pressure	0 -150lbs (0-667N)
Scrub brush pressure - Cylindrical Machine	0 - 44 lbs
Scrub brush speed - Disk Machine	300 rpm
Scrub brush speed - Cylindrical Machine	720 - 950 rpm
Tires	10 in. (254mm) Solid scrubber compound rear, urethane front
Foundation Pressure	135 psi (928 Kpa)
Maximum Speed	4.1 miles/hour (6.5 Km/hour)
Frame Construction	Powder coated steel
Brake	Electrical parking brake,sets automatically whenever operator steps off platform or engages emergency stop.
Minimum aisle u-turn width	60 in. (1524 mm)
Maximum rated climb and descent angle	10% (6 degrees)
Sound Pressure Level	66 dBA

ITEM	MEASURE
Height	50.0 inches (1270 mm)
Length	56.1 inches (1425 mm)
Width without squeegee	29.5 inches (749 mm)
Width of squeegee - Disk Machine	32.7 inches (830 mm)
Width of squeegee - Cylindrical Machine	33.5 inches (850 mm)
Width of scrub path	26 inches (660mm)



⚠ CAUTION:

This appliance is not intended for use by persons (including children) with reduced physical, sensory or mental capabilities, or lack of experience and knowledge, unless they have been given supervision or instruction concerning use of the appliance by a person responsible for their safety. Children should be supervised to ensure that they do not play with the appliance.

⚠ AVERTISSEMENT:

Cet appareil n'est pas prévu à l'usage des personnes (enfants y compris) avec des possibilités physiques, sensorielles ou mentales réduites, ou le manque d'expérience et de connaissance, à moins qu'ils aient été donnés la surveillance ou l'instruction au sujet de l'utilisation de l'appareil par une personne chargée de leur sûreté. Des enfants devraient être dirigés pour s'assurer qu'ils ne jouent pas avec l'appareil.

How This Machine Works

The Chariot® is a battery powered, self-propelled, hard floor scrubber intended for commercial use. The appliance applies a cleaning solution onto a hard floor, scrubs the floor with brushes, and then vacuums the soiled water back into the recovery tank.

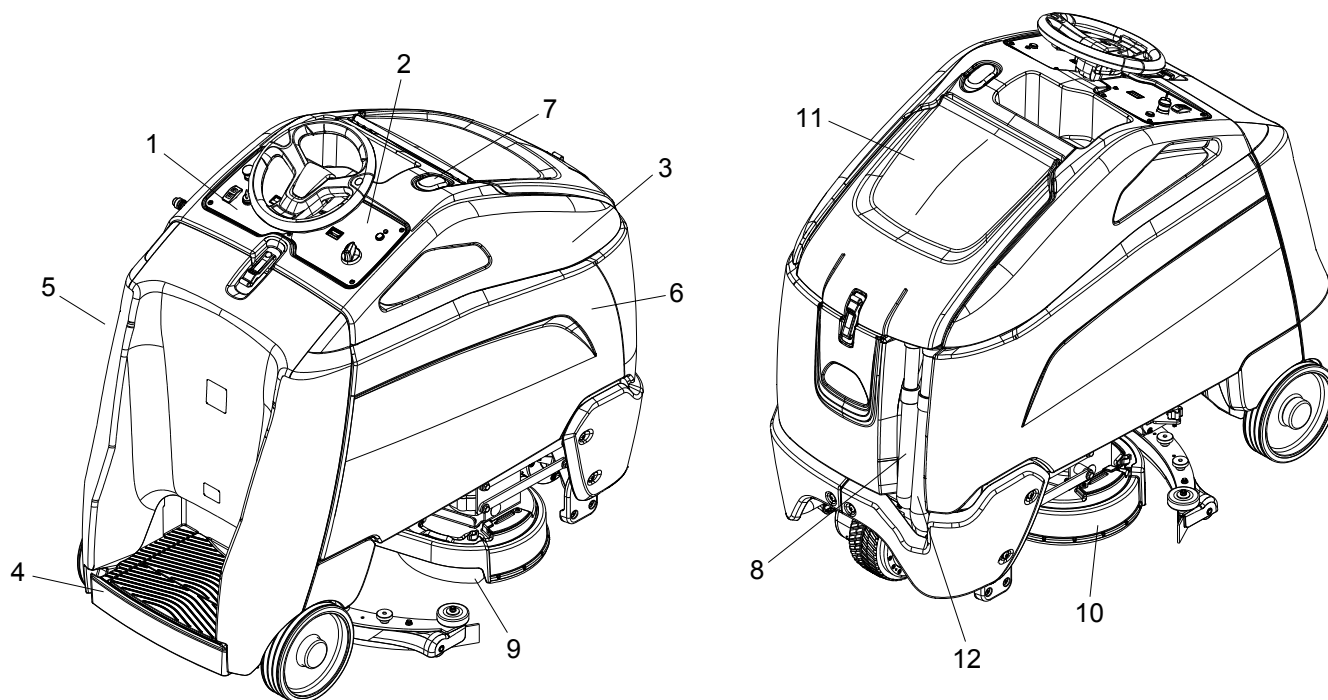
The machine's primary systems are the solution system, scrub system, recovery system, and operator control system.

The function of the solution system is to store cleaning solution and deliver it to the scrub system. The solution system consists of the solution tank, strainer, valve and an optional chemical metering pump and reservoir are available. The solution tank stores cleaning solution (water and detergent) until it is delivered to the scrub system. The strainer protects the valve from debris. The valve automatically prevents solution flow unless the scrub brushes are turned on and the machine is being propelled.

The function of the scrub system is to scrub the floor. The disk scrub system consists of two rotary type disk scrub brushes, motors, scrub deck skirt and lift actuator. The brushes scrub the floor as the motors drive the brushes. The brush drive hubs allow the scrub brushes to follow irregularities and changes in the floor without losing contact with the floor. The scrub deck skirt controls the cleaning solution on the floor so that the squeegee can pick it up.

The function of the recovery system is to vacuum the soiled water back into the recovery tank. The recovery system consists of the squeegee, vacuum motor, float ball filter, recovery tank. The squeegee wipes the dirty solution off the floor as the machine moves forward. The vacuum motor provides suction to draw the dirty solution off the floor and into the recovery tank. The float ball filter protects the vacuum fan from debris and shuts off suction to the tank when tank is full. The recovery tank stores the dirty solution.

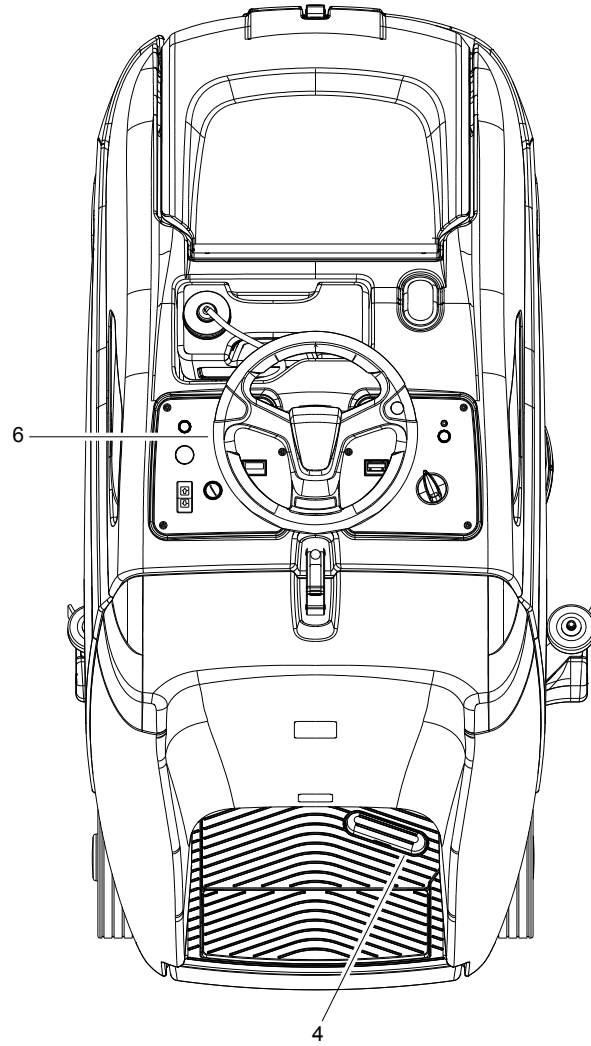
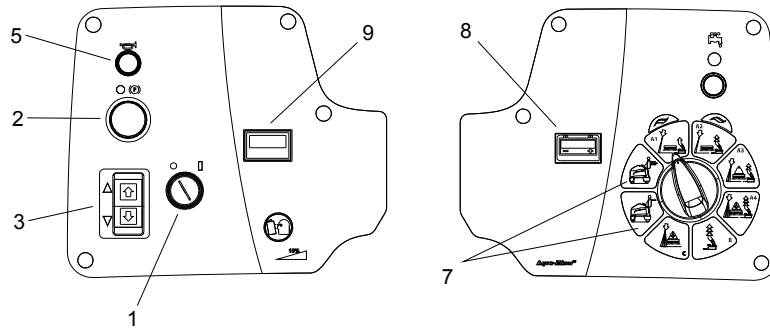
The function of the operator control system is to control the direction and speed of the machine. The directional control system consists of the direction control drive reset switch, throttle pedal, emergency stop/brake switch, steering wheel, propel controller, and drive wheel. The directional control drive reset switch signals forward or reverse direction and makes sure the operator is on platform before machine will propel. The controller interprets signals from the throttle pedal to command the drive wheel to propel or slow the machine. The steering wheel points the drive wheel in the direction desired by the operator. The parking brake automatically engages when the operator steps off the platform. The emergency stop/brake can be used to hold the machine on slopes.



Components

- 1. Control Panel-Drive
- 2. Control Panel-Scrub
- 3. Console
- 4. Pedal Platform
- 5. Rear Cover
- 6. Tank
- 7. Recovery Sight Dome
- 8. Solution Drain Hose
- 9. Scrub Deck Aqua-Mizer™
- 10. Scrub Deck Skirt
- 11. Recovery Lid
- 12. Recovery Drain Hose

Operations



Drive Controls

- 1. Key Switch**
- 2. Emergency Stop/Brake Switch**
- 3. Directional Control / Drive Reset Switch**
- 4. Throttle Pedal**
- 5. Horn Button**
- 6. Steering Wheel**
- 7. Speed Control**
- 8. Battery Discharge Indicator**
- 9. Hour Meter**

1. KEY SWITCH

Controls the power for machine functions.

To turn the machine power on, rotate key clockwise.

To turn the machine off, rotate key counterclockwise.

When the key is turned on the battery symbol will flash while the system runs self-diagnostics and returns scrub deck and squeegee to their raised positions, if necessary. The controller will not respond to other commands until this routine is complete.

2. EMERGENCY STOP/BRAKE SWITCH

This safety feature is designed to cut all power to the machine at any time and apply parking brake.

To shut the machine power off, push the Emergency Stop Switch, this will also engage the parking brake and cause the machine to stop immediately. Excessive emergency stop usage can cause premature brake wear; use only when necessary.

To reset the machine, rotate the switch clockwise.

3. DIRECTIONAL CONTROL / DRIVE RESET SWITCH

This safety feature is designed to ensure safe engagement of propel drive. Each time the machine power is turned on, or each time an operator steps on to the platform, the Drive Reset Switch must be pushed before machine will propel.

Controls the direction of travel of the vehicle. The lit arrow on the switch indicates direction of travel.

To travel forward, press the top of the switch.

To travel in reverse, press the bottom of the switch.

Operations

4. THROTTLE PEDAL

Controls the speed of the vehicle within the speed control setting selected. Pressing the pedal causes the machine to travel in the direction selected by the Directional Control Switch.

To increase speed, increase pressure on the pedal.

To decrease speed, decrease pressure on the pedal.

5. HORN BUTTON

The horn is activated by pressing the horn button.

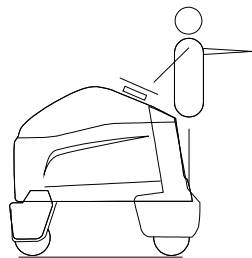
6. STEERING WHEEL

The steering wheel turns the front wheel causing the machine to change direction.

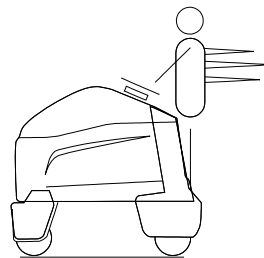
7. SPEED CONTROL

Controls the maximum speed of the machine. There are two transport settings, slow and fast.

To change speed, rotate the dial to either slow or fast position. The speed for fast and slow are as indicated on the control panel by the symbols shown below. The throttle pedal will always regulate the speed between 0 and maximum.



SLOW



FAST

8. BATTERY CHARGE LEVEL INDICATOR

Indicates the charge level of the batteries.

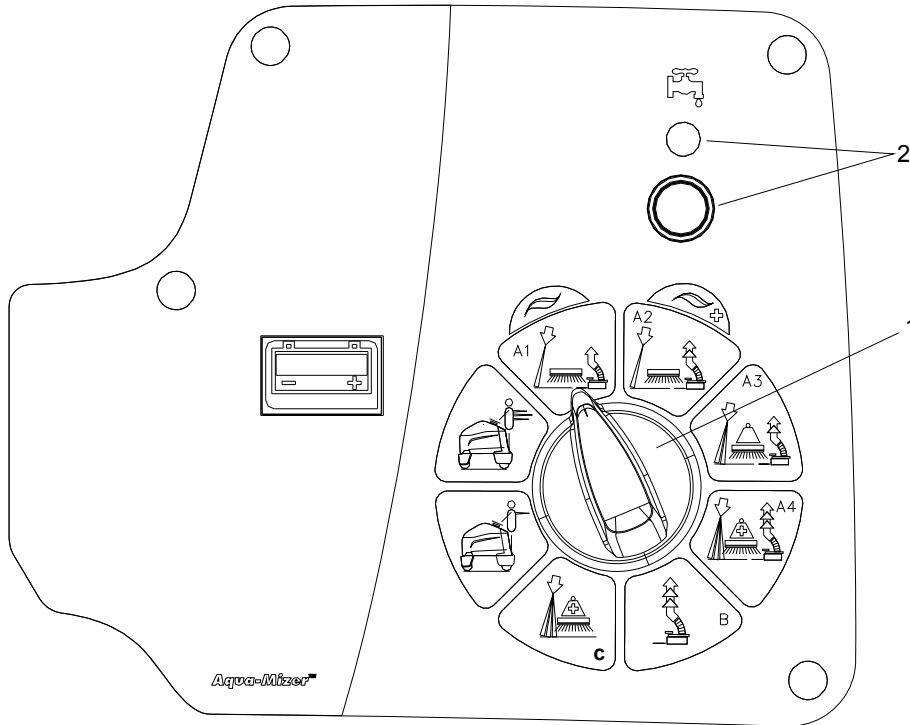
The meter display is divided into 10 bars. Bars illuminated on the far right indicate full charge. Bars flashing near the left side indicate the batteries should be recharged. Further operation of the machine could damage the machine or the batteries.

When the machine is left overnight with less than a full charge, the display may initially indicate a full charge. It will also indicate a full charge if the batteries are disconnected, then reconnected. After a few minutes of operation the meter will give the correct charge level.

9. HOUR METER

Records the number of hours the machine has been in scrubbing operation. This information is useful in determining when to service the machine.

Scrub Controls



1. Function Mode Dial

The first two positions are for transport only. See drive controls section.

A1 - Daytime cleaning/light cleaning

This mode is used for light cleaning. In this mode the machine will propel at a maximum of medium speed. The scrub deck will automatically lower to a lower down pressure setting. The water will flow at a low rate. Water will automatically shut off in neutral and restart when pressure resumes. The squeegee will automatically lower and vacuum will flow at a slow rate. (Squeegee will continue to lower and the vacuum will continue to run in neutral. The squeegee will raise in reverse.)

A2-Daytime Plus cleaning/light cleaning

This mode is used for light cleaning. In this mode the machine will propel at a maximum of medium speed. The scrub deck will automatically lower to a lower down pressure setting. The water will flow at a low rate. Water will automatically shut off in neutral and restart when pressure resumes. The squeegee will automatically lower and vacuum will flow at a medium rate.

A3 - Medium scrub level cleaning

This mode is used for medium level cleaning. In this mode the machine will propel at a maximum of medium. The scrub deck will lower at a medium down pressure. The water will flow at a medium rate. The vacuum will flow at a medium rate.

A4 - Heavy scrub level cleaning

This mode is used for heavy level cleaning. In this mode the machine will propel at a maximum of slow speed. The scrub deck will lower to a heavy down pressure. The water will flow at a high rate. The vacuum will flow at a high rate.

B - Vacuum only mode

This mode is used for picking up solution only. The brushes and water will both be up and off. In this mode the machine will propel at a maximum of slow speed. The squeegee will automatically lower and the vacuum will flow at a high rate. The squeegee will raise in reverse. The squeegee and vacuum will remain down and on in neutral propel.

C - Double Scrub cleaning

This mode is used for putting down solution and scrubbing without picking it back up. In this mode the machine will propel at a maximum speed of slow. The scrub deck will automatically lower to a heavy scrub level. The solution will flow at a high rate. The brushes and water will shut off and raise when the machine is in neutral. They will resume when propelling is resumed.

2. Solution Button and Indicator

The button enables and disables solution flow. When the green indicator is illuminated, solution flow is enabled.

Machine Operation

Pre-Run Machine Inspection

Do a pre-run inspection to find possible problems that could cause poor performance or lost time from breakdown. Follow the same procedure each time to avoid missing steps.

NOTE: Perform Pre-run Machine Check before operating machine listed in Service Schedule in Maintenance Section.

Starting Machine

FOR SAFETY: Before starting machine, make sure that all safety devices are in place and operating properly.

1. The operator should be on the pedal platform. The throttle pedal must be in the neutral position.
2. Turn the machine power on by turning key switch clockwise to the "ON" position.
3. Press the Drive Reset Directional Control Switch to reset and set the intended direction for travel.
4. Press lightly on the throttle pedal with right foot.

Emergency Stop Procedures

1. Push in emergency stop button. This will also engage the parking brake and cause the machine to stop immediately.

Filling Solution Tank

FOR SAFETY: Before leaving or servicing machine; stop on level surface, turn off machine and remove key.

1. Turn the machine power off.
2. Remove solution cover.
3. Fill the solution tank with clean water, leaving enough room for the required amount of detergent. The solution tank capacity filled to fill inlet is 25 gallons (95 liters). The water must not be hotter than 140° F (60°C) to prevent damage to the tank.
4. Measure the chemical into the solution tank. The solution cover is also a 2 oz. (60 ml) measuring cup. Liquid chemicals should be added to the solution tank after filling with water. Dry chemicals should be thoroughly mixed before being added into solution tank. Commercially available, high alkaline floor cleaners, are suitable for use in the solution system.

NOTE: Read the chemical manufacturers recommended proportion instructions.

5. Replace solution tank cover.

⚠ WARNING:

Flammable materials can cause an explosion or fire. Do not use flammable materials in the tanks.

⚠ AVERTISSEMENT:

Les matières inflammables peuvent provoquer une explosion ou un incendie. Ne pas utiliser de matériaux inflammables dans les réservoirs.

Optional Chemical Metering System

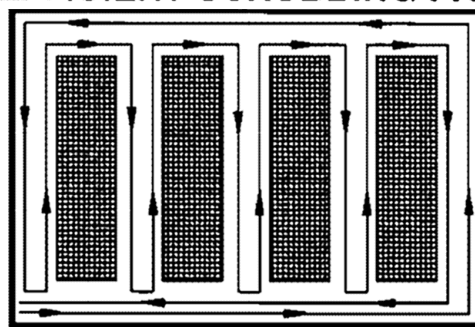
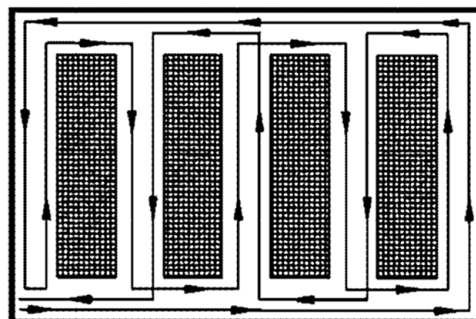
1. Fill chemical container and place into console recess. Attach lid.
2. Open rear cover and turn chemical selection knob to chemical manufacturers recommended dilution.
3. Press and hold prime button for 30 seconds or until chemical has filled line to scrub deck.

Normal Scrubbing

Plan the scrubbing pattern in advance. The longest track is around the perimeter of the area to be cleaned. For efficient operation, the runs should be the longest possible without turning, stopping, or raising or lowering scrub deck/squeegee.

In order to achieve the best possible results, the area which is to be cleaned should be swept before scrubbing. Large debris, strings and wire must be removed to prevent being caught in brushes or squeegee.

If the machine is allowed to stand in neutral with the scrub deck down, the solutions flow stops and brush motors stop. If either forward or reverse travel is selected, the solution flow will continue in the same setting and the scrub brush motors will continue in their same setting once movement of machine begins. Overlap the brush path and avoid transporting over previously cleaned areas.

INEFFICIENT SCRUBBING PATH**RECOMMENDED SCRUBBING PATH**

Operations

To Begin Scrubbing

⚠ WARNING:

When operating the machine around people, pay close attention for unexpected movement. Use extra caution around children.

⚠ AVERTISSEMENT:

Lorsque vous utilisez la machine en présence de gens, portez une attention particulière aux mouvements inattendus. Soyez plus prudent, surtout en présence d'enfants.

⚠ WARNING:

Flammable liquids and/or reactive metals can cause explosions or fire! Do not pick up.

⚠ AVERTISSEMENT:

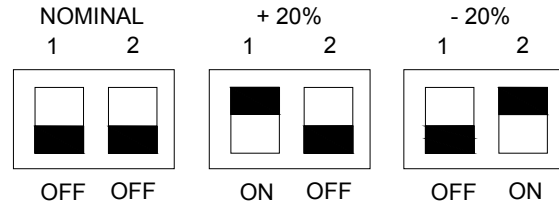
Les liquides inflammables et / ou les métaux réactifs peuvent provoquer des explosions ou un incendie! Ne les ramassez pas.

1. Stand on the operator platform. Throttle pedal must be in neutral position.
2. Turn machine power on.
3. Press the Drive Reset / Directional Control Switch, selecting the desired travel direction.
4. Position the function control knob to the desired operation. The scrub deck and squeegee will lower, and the vacuum will turn on.
5. Drive machine forward to begin scrubbing. The scrub brush motors will run and solution will flow when the throttle is depressed.

NOTE: Shut machine off immediately if water or foam is expelled from the machine.

NOTE: Solution flow is automatically shut off when brush motors stop. When brush motors are activated, flow automatically resumes.

NOTE: The solution flow can be adjusted up or down approximately 10 percent by changing the dip switch settings on the control board. The dip switches are located on the left side of the control board, mounted on the lower control panel.



To Stop Scrubbing

1. Rotate the function knob to either transport position. The brush motors will stop and the scrub deck will rise to the park position. After 10 seconds the squeegee will raise, and 10 seconds later the vacuum motor will turn off. This delay is to clear the vacuum hose of recovered solution.
2. Allow the throttle pedal to return to neutral.
3. Turn machine power off.

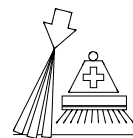
FOR SAFETY: Before leaving or servicing machine: stop on level surface, turn off machine and remove key.

Double Scrub

For floors which are heavily soiled or have thick accumulations of floor finish, may not clean sufficiently with one pass. In these cases it may be necessary to double scrub.

Rotate the knob to the double scrub position.

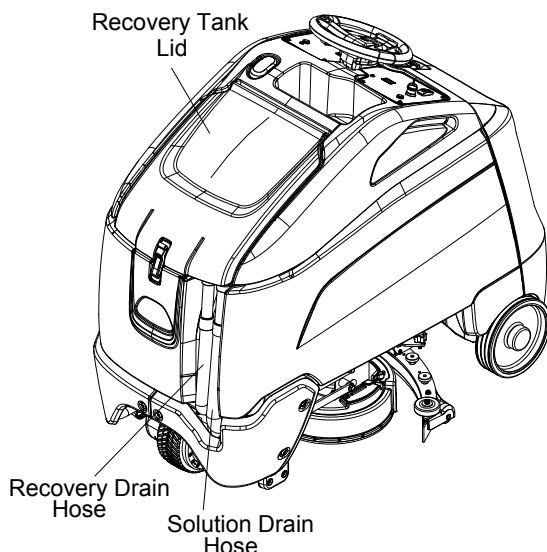
Make the first pass over the surface being cleaned with



the squeegee up, vacuum off and the solution on. For best results also remove the Aqua-mizer™, this will allow the solution to stay in contact with the soil while loosening the surface accumulation with the brushes. Allow time for the first application to stay in contact with the floor. Length of time between the first and second pass depends on amount of accumulation and the type of chemical being used. A second scrubbing with the function knob in one of the normal scrubbing modes will lower the squeegee and will keep the solution on and

brushes down to further loosen soil. The additional application of solution will further assist the difficult cleaning job.

FOR SAFETY: When using machine, go slow on inclines and slippery services.



Emptying and Cleaning Tanks

1. Park the machine next to a floor drain. Drain hoses are at the front of the machine.
2. Turn the machine power off.

Recovery Tank

1. Open the recovery tank lid. Pull the recovery drain hose from the mounting bracket. Open cap, then lower hose in direction of the drain. Do not stand in front of end of hose. Recovered solution will come out with force.
2. Flush the recovery tank out with clean water. Do not use water hotter than 140°F (60°C) to clean tank. Damage may occur.
3. Clean debris bin.
4. Clean off the float shut-off system and inspect for free movement of float.
5. Replace the drain hose cap and secure drain hose.
6. If machine is to be stored, leave the recovery tank lid propped open.

Solution Tank

1. Remove the recovery tank lid.
2. Pull the solution drain hose from its mounting pocket. Unscrew the cap, then lower hose in direction of drain.
3. Remove the solution tank cap.
4. Flush the solution tank out with clean water and run several gallons of clean water through systems. Do not use water hotter than 140°F (60°C) to clean tank. Damage may occur.
5. If machine is to be stored, leave solution cap off.

NOTE: Never allow solution to remain in tank. Damage to tank, seals and valves could occur.

Optional Chemical Metering System

1. Remove chemical container from machine and store unused chemical. Flush chemical container with water.
2. Fill chemical container partway with clean water. Press and hold prime button for 1 minute.
3. Empty chemical container. press and hold prime button for 30 seconds to purge chemical lines.

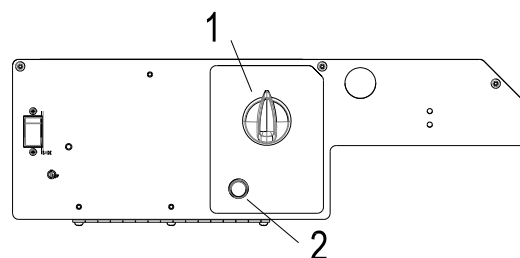
Chemical Metering Controls

1. CHEMICAL METERING SYSTEM SELECTION DIAL (OPTIONAL)

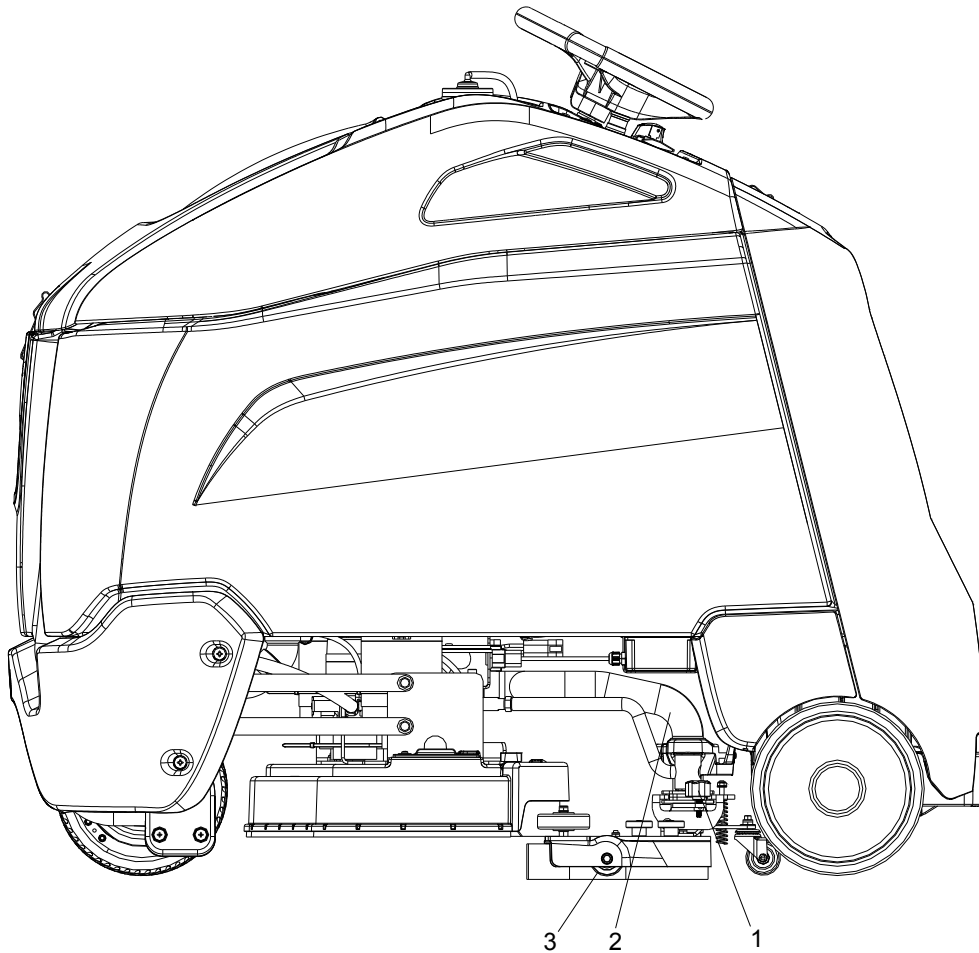
Eight position dial which controls chemical system operation. Upper five positions turn chemical system on and controls dilution from .5 to 4.0 oz/gal. Three lower positions turn chemical system off.

2. CHEMICAL METERING SYSTEM PRIME BUTTON (OPTIONAL)

Runs chemical pump when pressed. Press for 30 seconds to prime empty chemical system. Fill chemical reservoir with clean water and press prime button for one minute to flush chemical system.



Squeegee Disk



1. Squeegee Handle

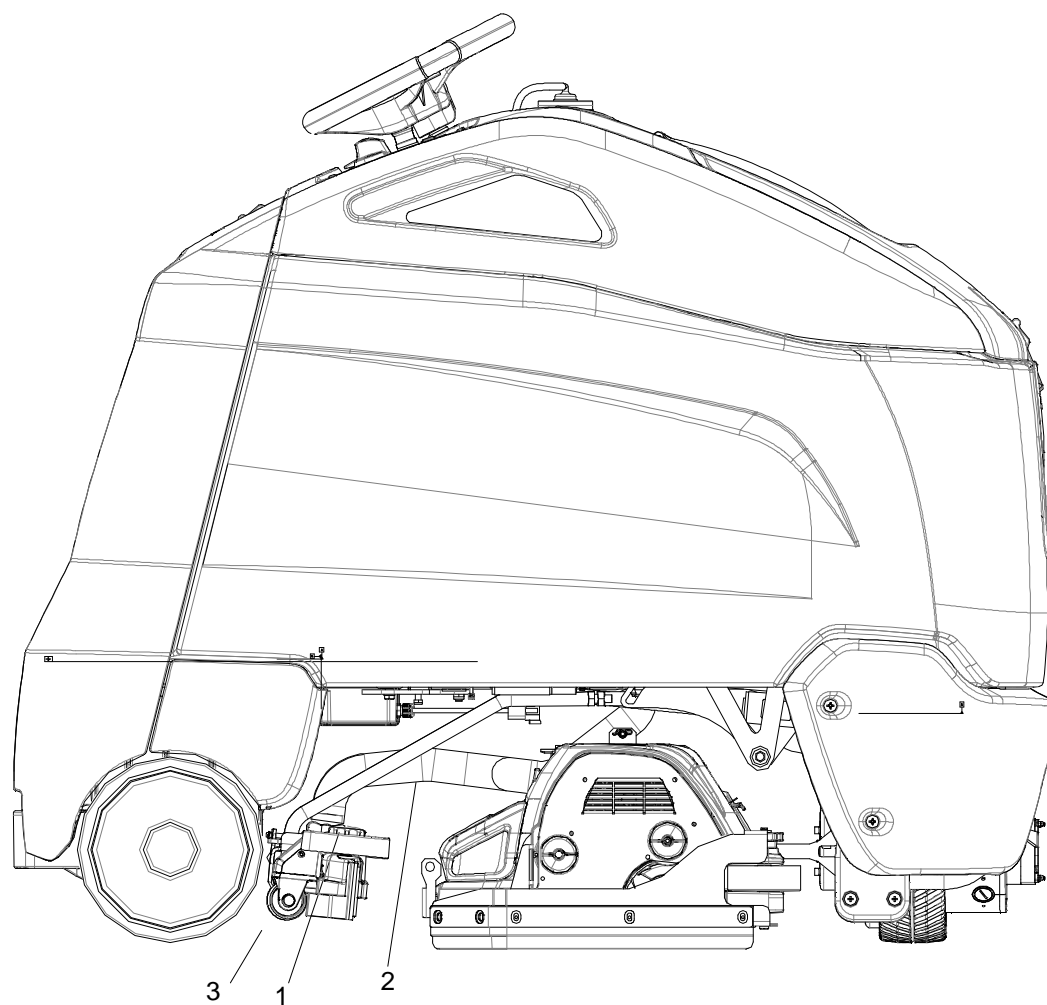
The squeegee handle holds the squeegee in place.

2. Squeegee Hose and Tube

The squeegee hose and tube carry the recovered solution to the recovery tank.

3. Squeegee Wheels

The squeegee wheels support the squeegee at the correct height and angle to automatically obtain optimum suction. The squeegee requires no adjustment.

Squeegee - Cylindrical**1. Squeegee Knobs**

The squeegee knobs hold the squeegee in place.

2. Squeegee Hose and Tube

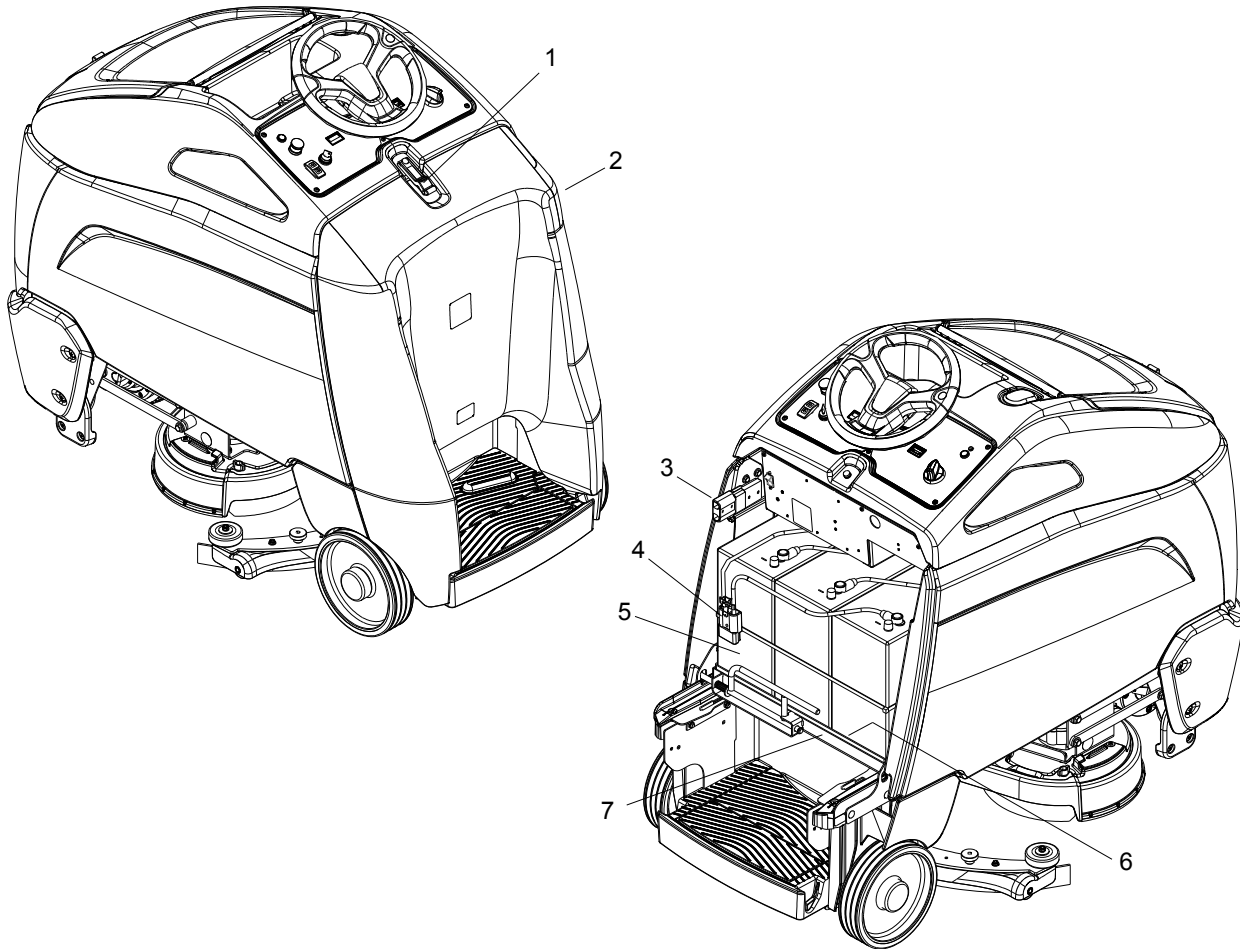
The squeegee hose and tube carry the recovered solution to the recovery tank.

3. Squeegee Wheels

The squeegee wheels support the squeegee. The height can be adjusted by turning the knobs.

Service Schedule

MAINTENANCE	BEFORE EACH WORK PERIOD	AFTER EACH WORK PERIOD	50 HRS	100 HRS	200 HRS
Check water level of batteries after charging; add distilled water if necessary. (Wet cell only)	*				
Check that recovery lid seals tightly.	*				
Visually check for damaged or worn wheels.	*				
Check brushes or pads for proper installation.	*				
Check vacuum hose connections.	*				
Check that squeegee is securely attached.	*				
Check for securely attached drain hoses, plug and cap.	*				
Check pedal, brake and steering for proper operation.	*				
Clean out recovery tank and debris bin.		*			
Clean and inspect float shutoff.		*			
Clean out solution tank.		*			
Clean and inspect solution filter strainer.		*			
Run vacuum motors to dry.		*			
Clean brushes or pads and check wear.		*			
Clean squeegee blades and check wear.		*			
Clean outside of tanks, check for damage.		*			
Store with recovery lid propped open.		*			
Charge batteries if needed.		*			
Flush chemical system (if equipped).		*			
Clean off top of batteries.			*		
Check battery cells with hydrometer. (Wet cell only)			*		
Inspect scrub deck skirts and Aqua-Mizers.			*		
Check battery connections are tight.			*		
Clean battery cases and battery compartment.				*	
Check parking brake.					*
Clean cables and pulleys for squeegee lift.					*
Clean pivot points on squeegee and scrub deck.					*
Check all motors for carbon brush wear.					*
Check motor commutators.					*
Check steering chain tension.					*
Check chemical pump peristaltic tube					*



Batteries

1. Rear Cover Latch
2. Rear Cover
3. Battery Connector-Machine
4. Battery Connector-Battery
5. Batteries
6. Battery Tray Liner
7. Battery Tray

Batteries (Wet Cell Only)

The batteries provide the power to operate the machine. The batteries require regular maintenance to keep them operating at peak efficiency.

The machine batteries will hold their charge for long periods of time, but they can only be charged a certain number of times. To get the greatest life from the batteries, charge them when their charge level reaches 25% of a full charge. Use a hydrometer to check the charge level.

Do not allow the batteries to remain in a discharged condition for any length of time. Never expose a discharged battery to temperatures below freezing. Discharged batteries will freeze causing cracked cases. Do not operate the machine if the batteries are in poor condition or if they have a charge level below 25% (specific gravity below 1.155).

Keep all metallic objects off the top of the batteries, as they may cause a short circuit. Replace worn or damaged cables and terminals.

Check the electrolyte level in each battery cell before and after charging the batteries. Never add acid to the batteries, use distilled water. Do not allow water level to fall below the battery plates. Portions of plates exposed to air will be destroyed. Do not overfill. Keep plugs firmly in place at all times.

⚠ CAUTION:

When servicing machine, avoid contact with battery acid.

⚠ ATTENTION:

Lors de l'entretien de la machine, évitez tout contact avec l'acide de batterie.

⚠ WARNING:

Batteries emit hydrogen gas. Explosion or fire can result. Keep sparks and open flame away. Keep covers open when charging.

⚠ AVERTISSEMENT:

Les batteries émettent du gaz hydrogène. Une explosion ou un incendie peut en résulter. Maintenez les étincelles et les flammes nues à l'écart. Gardez les carters ouverts lors du chargement.

⚠ WARNING:

Wear eye protection and protective clothing when working with batteries.

⚠ AVERTISSEMENT:

Portez des lunettes de protection et des vêtements de protection lorsque vous travaillez avec des batteries.

⚠ WARNING:

Charge batteries in a well ventilated area.

⚠ AVERTISSEMENT:

Chargez les batteries dans un endroit bien ventilé.

Battery Maintenance

1. When cleaning the batteries, use a solution of baking soda and water. Do not allow the cleaning fluid to enter the battery cells, electrolyte will be neutralized.
2. Maintain the proper electrolyte level in each battery cell. If a cell should accidentally overflow, clean immediately.
3. Wipe off the top of the batteries at least once a week.
4. Test battery condition with a hydrometer at least once a week.
5. Ensure that all connections are tight and all corrosion removed.
6. Every 4 to 6 months, remove that batteries from the machine and clean the battery cases and battery compartment.

⚠ WARNING:

Not all batteries require maintenance. AGM batteries are maintenance free. Do not attempt to remove sealed caps from AGM batteries. Warranty is void if caps are removed from AGM battery.

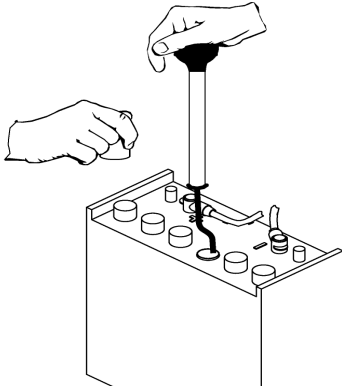
⚠ AVERTISSEMENT:

L'entretien n'est pas nécessaire pour toutes les batteries. Les batteries AGM ne nécessitent pas d'entretien. N'essayez pas d'enlever les bouchons scellés des batteries AGM. La garantie est annulée si les bouchons sont retirés des batteries AGM.

Maintenance

Checking Battery Specific Gravity

Use a hydrometer to check the battery specific gravity.



CHECKING GRAVITY

- Hydrometer Battery
- Battery

NOTE: Do not take readings immediately after adding distilled water, if the water and acid are not thoroughly mixed, the reading may not be accurate.

Check the hydrometer readings against this chart.

SPECIFIC GRAVITY @ 80° F (27°C)	BATTERY CONDITION
1.265	100% CHARGED
1.225	75% CHARGED
1.190	50% CHARGED
1.155	25% CHARGED
1.120	DISCHARGED

NOTE: If the readings are taken when the battery electrolyte is any temperature other than 80°F (27°C), the reading must be temperature corrected.

To find the corrected specific gravity reading when the temperature of the battery electrolyte is other than 80°F (27°C): Add (+) to the specific gravity reading 0.004 (4 points), for each 10°F (6°C) above 80° (27°C). Subtract (-) from the specific reading 0.004 (4 points), for each 10°F (6°C) below 80°F (27°C).

Charging Batteries

⚠ CAUTION:

When servicing machine, avoid contact with battery acid.

⚠ ATTENTION:

Lors de l'entretien de la machine, évitez tout contact avec l'acide de batterie.

⚠ WARNING:

Batteries emit hydrogen gas. Explosion or fire can result. Keep sparks and open flame away. Keep covers open when charging.

⚠ AVERTISSEMENT:

Les batteries émettent du gaz hydrogène. Une explosion ou un incendie peut en résulter. Maintenez les étincelles et les flammes nues à l'écart. Gardez les carters ouverts lors du chargement.

⚠ WARNING:

Wear eye protection and protective clothing when working with batteries.

⚠ AVERTISSEMENT:

Portez des lunettes de protection et des vêtements de protection lorsque vous travaillez avec des batteries.

⚠ WARNING:

Charge batteries in a well ventilated area.

⚠ AVERTISSEMENT:

Chargez les batteries dans un endroit bien ventilé.

⚠ CAUTION:

Switch main circuit breaker off before charging.

Use a 36 volt, 20 amp maximum output DC charger which will automatically shut off when the batteries are fully charged.

1. Stop the machine in a clean, well ventilated area next to the charger.
2. Turn "OFF" machine.

FOR SAFETY: Before leaving or servicing machine; stop on level surface, turn off machine and remove key.

3. Open rear cover, unplug batteries from machine, unlatch battery tray and pull out to expose batteries.

⚠ WARNING:

Batteries emit hydrogen gas. Explosion or fire can result. Keep sparks and open flame away. Keep covers open when charging.

⚠ AVERTISSEMENT:

Les batteries émettent du gaz hydrogène. Une explosion ou un incendie peut en résulter. Maintenez les étincelles et les flammes nues à l'écart. Gardez les carters ouverts lors du chargement.

4. Check the electrolyte level in each battery cell. Before charging, add just enough distilled water to cover the plates. After charging is complete, add just enough distilled water to bring up the level to the indicator ring. If the water level is too high before charging, normal expansion rate of the electrolyte may cause an overflow resulting in a loss of battery acid balance and damage the machine.
5. Replace the battery caps, and leave them in place while charging.

FOR SAFETY: When charging, connect the charger to the batteries before connecting the charger to the AC wall outlet. Never connect the charger to the AC wall outlet first. Hazardous sparks may result.

6. Plug the charger connector into the battery connector. Connect the charger AC plug to a wall outlet. The charger gauge should indicate that the batteries are charging.
7. When the batteries are fully charged, disconnect the charger from the AC wall outlet, then disconnect the charger from the batteries.
8. Connect the batteries to the machine connector.
9. Check the electrolyte level. It should be up to the indicator ring. If necessary, add distilled water.
10. Close the rear cover.

Maintenance

Changing Batteries

Stop the machine in a clean area next to the charger.
Turn off machine.

FOR SAFETY: Before leaving or servicing the machine; stop on level surface, turn off machine and remove key.

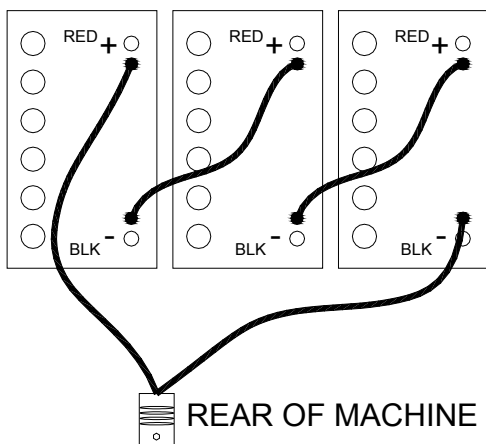
1. Remove the rear cover.
2. Disconnect battery pack from machine.
3. Unlatch battery tray from machine and pull out to expose batteries.
4. Use the proper size open end wrench to disconnect main ground wire first and secure cable terminal away from batteries.
5. Disconnect main positive lead and secure cable terminals away from batteries.
6. Loosen both terminals on each jumper cable and remove one at a time.
7. Prepare a suitable site to place the batteries.

! WARNING:

Attach suitable battery lifting device and lift batteries from the machine. Batteries are a potential environmental hazard. Consult your battery supplier for safe disposal methods.

! AVERTISSEMENT:

Fixez le dispositif de levage de batterie approprié et levez les batteries de la machine. Les batteries constituent un danger potentiel pour l'environnement. Consultez le fournisseur de votre batterie pour connaître les méthodes d'élimination sûres.



Onboard Charger (Optional)

⚠ CAUTION:

Circuit Breaker must be off before unplugging batteries.

Onboard Charger Programming

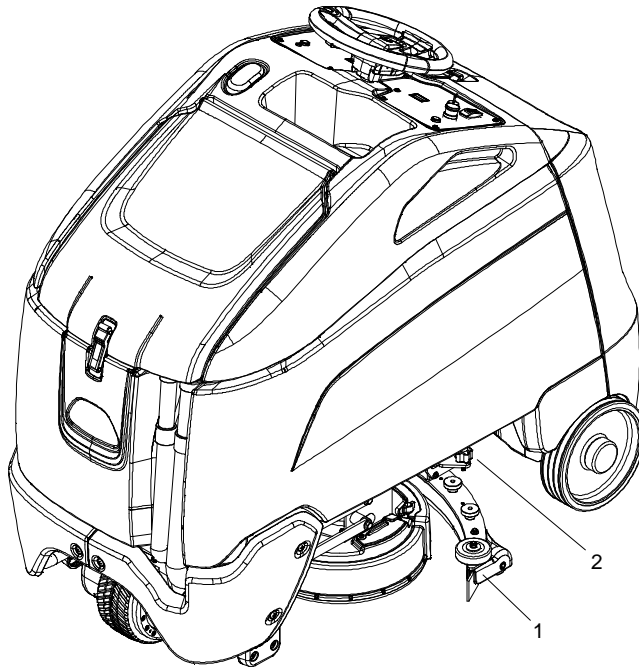
For machines equipped with optional on-board charger. When replacing batteries, charger programming changes may be required. If replacing batteries with same type, (e.g. maintenance free batteries with maintenance free) no programming is required. When batteries with different type (e.g. maintenance free with wet cell), programming change are required. Failure to make programming changes may lead to reduced battery life.



1. Remove upper control panel.
2. Peel back label on charger to access dip switches.
3. Change switches to correct battery type.

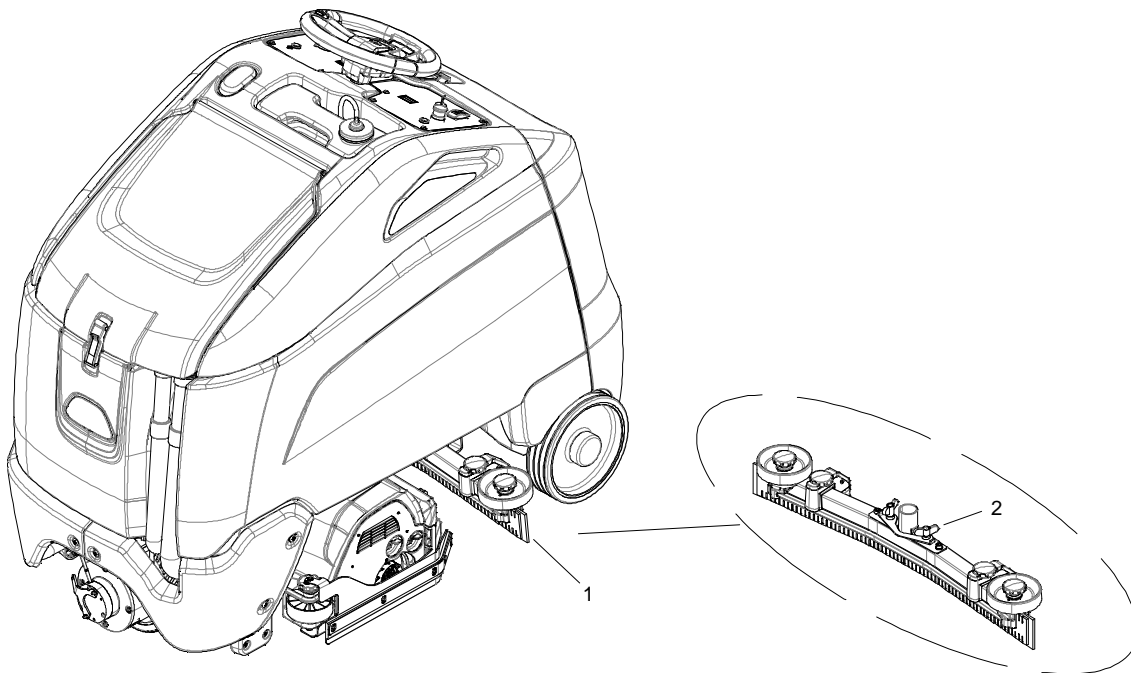
	DIP 1	DIP 2	DIP 3	DIP 4	DIP 5	DIP 6	DIP 7	DIP 8
LEAD ACID	OFF	ON	ON	ON	OFF	ON	ON	OFF
DISCOVER AGM	ON	OFF	OFF	OFF	OFF	ON	ON	OFF

4. Replace charger label and install upper control panel.



Squeegee - Disk

- 1. Squeegee
- 2. Squeegee Retainer Knob



Squeegee - Cylindrical

- 1. Squeegee
- 2. Squeegee Retainer Knob

Squeegee Blades

The front squeegee blade allows solution to pass through channels in the blade into the squeegee assembly while maintaining vacuum to provide lift. The front blade has four wear surfaces and can be rotated for extended life. The front blade should not require regular replacement under normal use. The squeegee is self adjusting.

The rear blade wipes the floor to a near dry condition. It is important the rear blade be in good condition to properly do its job. As with the front, each squeegee blade assembly has four wear surfaces for extended service.

Check both the front and rear squeegee blades for damage and wear each day in the pre-run check. Change the front blade if it is torn or has an uneven edge. Change the rear blade if it is less than half the original thickness.

To Remove Squeegee Assembly

FOR SAFETY: Before leaving or servicing machine; stop on level surface, turn off machine and remove key.

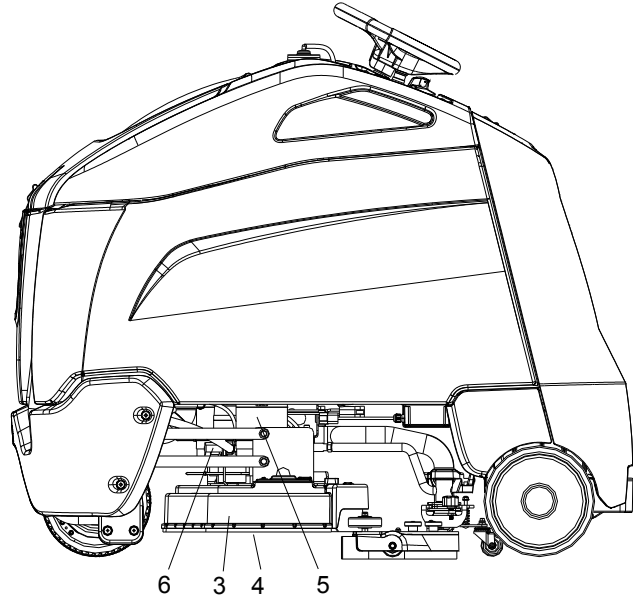
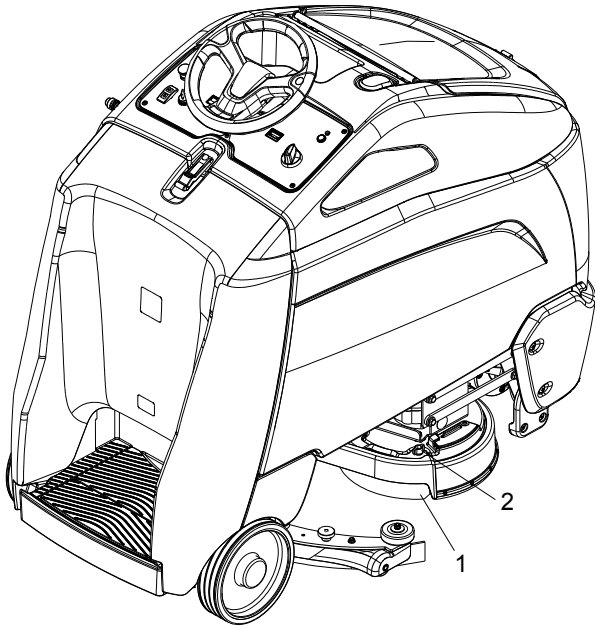
1. With the squeegee in the up position, turn key switch "OFF".
2. Disconnect vacuum hose from squeegee and loosen retainer knob on left side of squeegee lifting carrier.
3. Pull squeegee assembly from the lifting carrier.
4. Inspect or repair as necessary and reinstall.

To Replace or Rotate Squeegee Blades - Disk

1. With the squeegee in the up position, turn key switch "OFF".
2. Remove the squeegee assembly from the machine.
3. Unscrew each of the four knobs until they are nearly removed from the squeegee assembly. Grasp the squeegee assembly and push on the knobs to remove the blade retention plate.
Remove the knobs and pull the retention plate out.
4. Remove blades from squeegee housing. Rotate the squeegee blade to a new edge position or replace as required. Each blade has four new edge positions.
5. Install the blades in the squeegee housing by hooking blades on retention features.
6. Install blade retention plate in squeegee housing and assemble knobs.

To Replace or Rotate Squeegee Blades - Cylindrical

1. With the squeegee in the up position, turn key switch "OFF".
2. Remove end-cap from squeegee assembly.
3. Pull blades out of Squeegee.
4. Rotate or Replace squeegee blades and insert into squeegee assembly.
5. Replace end-cap on squeegee assembly.



Scrub Deck - Disk

1. Scrub Deck Aqua-mizer™
2. Aqua-mizer™ Retainer Knob
3. Scrub Deck Skirt
4. Scrub Deck Skirt Brush Strip
5. Scrub Brush Motor
6. Scrub Deck Lift Actuator

Scrub Brushes

There are four different types of brushes available to cover applications from cleaning heavily soiled floors to polishing. A pad driver is also available to take advantage of the many cleaning pads on the market. Please refer to the following to assist in selecting the proper brush or pad for the work at hand.

Uncoated Floors

Aggressive Grit is a nylon fiber impregnated with silicone carbide grit. It grinds away stain, soil, and removes surface material.

Mild Grit is a less aggressive silicone carbide grit suitable for cleaning medium soil conditions. Advantages are faster ground speed than nylon bristles on light solid applications.

Polypropylene is a general-purpose scrub brush with stiff bristles. Polypropylene works well for maintaining concrete, wood and tile floors.

Finished Floors

Nylon bristles are used in a variety of applications on coated or uncoated surfaces.

White Pads (Polishing) are used for dry polishing to achieve a high-gloss appearance, or surface washing on highly polished or burnished floors.

Red Pads (Buffing) are used for light-duty scrubbing. When used with a mild detergent they will provide surface cleaning without removing the finish.

Blue Pads (Scrubbing) are used for heavy-duty scrubbing and light stripping. The blue pads remove less finish than brown stripping pads, yet will remove black marks, stains and dirt.

Black Pads (Stripping) are used for easy and complete removal of old floor waxes/finishes. They will quickly remove ground in dirt, black heel marks, and spills. When used with the proper stripper, this pad leaves the floor clean and ready for finishing.

The scrub brushes should be checked before each days work for wire, string, wear and damage.

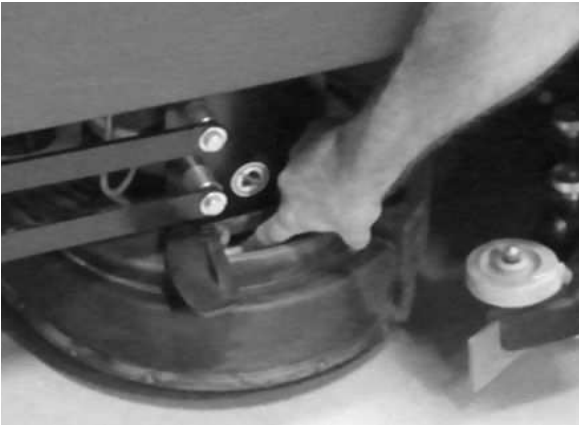
Maintenance

Replacing or Installing Scrub Brushes - Disk

NOTE: Damage to driver or brush could occur if not securely attached.

FOR SAFETY: Before leaving or servicing the machine; stop on level surface, turn OFF machine and remove key.

1. Turn machine power off.
2. Open access cover on deck shroud.
3. Locate release lever, press release lever towards front of machine to release brush pad. The pad will drop down when released. Lift deck shroud up and slide brush/pad assembly out.



4. Remove brush/pad from holder and replace with new brush/pad.
5. To reinstall, lift deck shroud upward as shown.

Center the brush/pad driver under the brush drive hub. Raise brush/pad until it contacts brush driver assembly. Turn clockwise until release lever plate locks into position.



6. Check that release lever/plate is completely closed and pad/brush is securely attached.

⚠ WARNING:

Do not use a pressure washer to clean around the brush motors. Use tap pressure only.

⚠ AVERTISSEMENT:

N'utilisez pas de nettoyeur haute pression pour nettoyer autour des moteurs des brosses. Utilisez seulement la pression du robinet.

To Replace Scrub Brush Motors

With the scrub deck in the raised position, disconnect brush motor wiring connector from harness.

1. Remove skirt from scrub deck.
2. Remove retaining bolt, lock washer, flat washer and star drive from brush motor shaft.
3. Remove 4 brush motor mounting bolts located under scrub deck.
4. Lower scrub deck.
5. Remove brush motor.
6. Reverse steps to install.

Brush Motor Carbon Brush Replacement

1. Scribe alignment mark on motor barrel to motor cap. Remove two bolts.
2. Remove end cap from motor.

NOTE: Motors contain two wave washers in cap. Do not lose these.

3. Release brush from spring tension. Remove screw connecting brush wire lead to brush holder. Clean brush holder to insure free movement.
4. Retract spring and install new brush. Install connector screw and lead.
5. When all new brushes are installed. Place all in retracted position, held into brush holder by spring tension.
6. Carefully place end cap onto bearing on motor shaft.

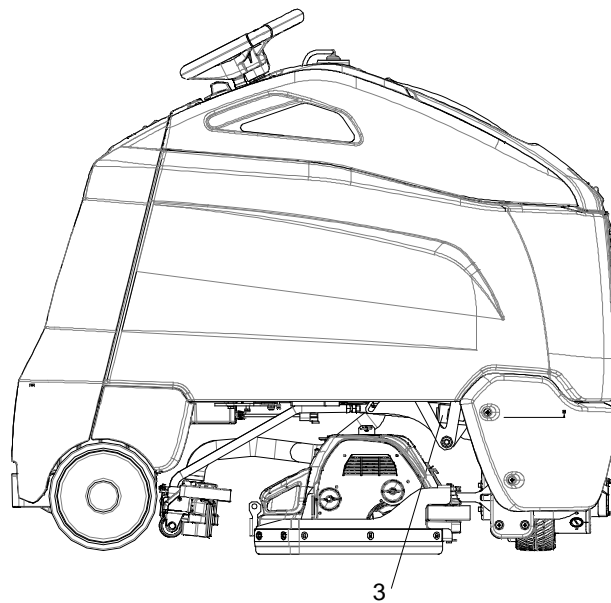
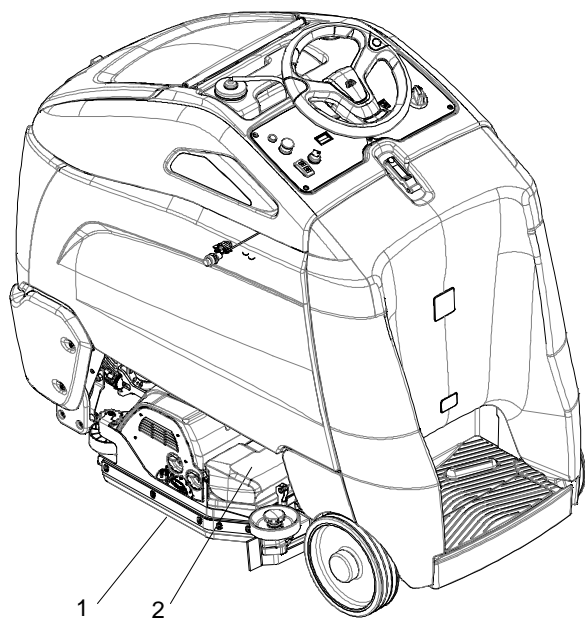
NOTE: Use care to assure wave washer alignment.

7. With end cap in partially installed position, release all brushes to contact position with motor commutator.

NOTE: Failure to insure all brushes are released will result in motor failure.

8. Reset end cap and realign with scribe marks on motor barrel. Reinstall the two attach bolts from cap into base.

Maintain alignment between motor barrel base and cap.



Scrub Deck - Cylindrical

1. Scrub Deck Skirt
2. Debris Hopper
3. Scrub Deck Lift Actuator

Replacing or Installing Scrub Brushes - Cylindrical

1. Turn machine function dial to transport mode, allowing deck to return to “up” position. Turn the machine power off.

FOR SAFETY: Before leaving or servicing the machine; stop on level surface, turn OFF machine and remove key.

2. On right and left sides of deck, turn both brush and skirt releases 1/4 turn counter-clockwise.
3. Swing deck skirts out. Remove brush end caps. Slide brushes out the sides of deck.
4. To reinstall, slide brushes into deck. Replace brush end caps. Lift end cap up and turn brush release 1/4 turn clockwise, locking brush in place. Swing deck skirt back to deck. Turn skirt release 1/4 turn clockwise, locking skirt into place.

NOTE: Check that brush end cap is properly secured into deck housing. Check that brush is suspended off ground while deck is in “up” position.

Actuator Scrub Deck Removal / Replacement

FOR SAFETY: Before leaving or servicing machine, stop on a level surface. Turn off machine.

1. Remove the two screws that secure actuator spring plate and pull actuator barrel from stud on actuator spring bracket.
2. Remove clevis pin from upper bracket of actuator.
3. Disconnect actuator from wiring harness.
4. Reverse steps to install.

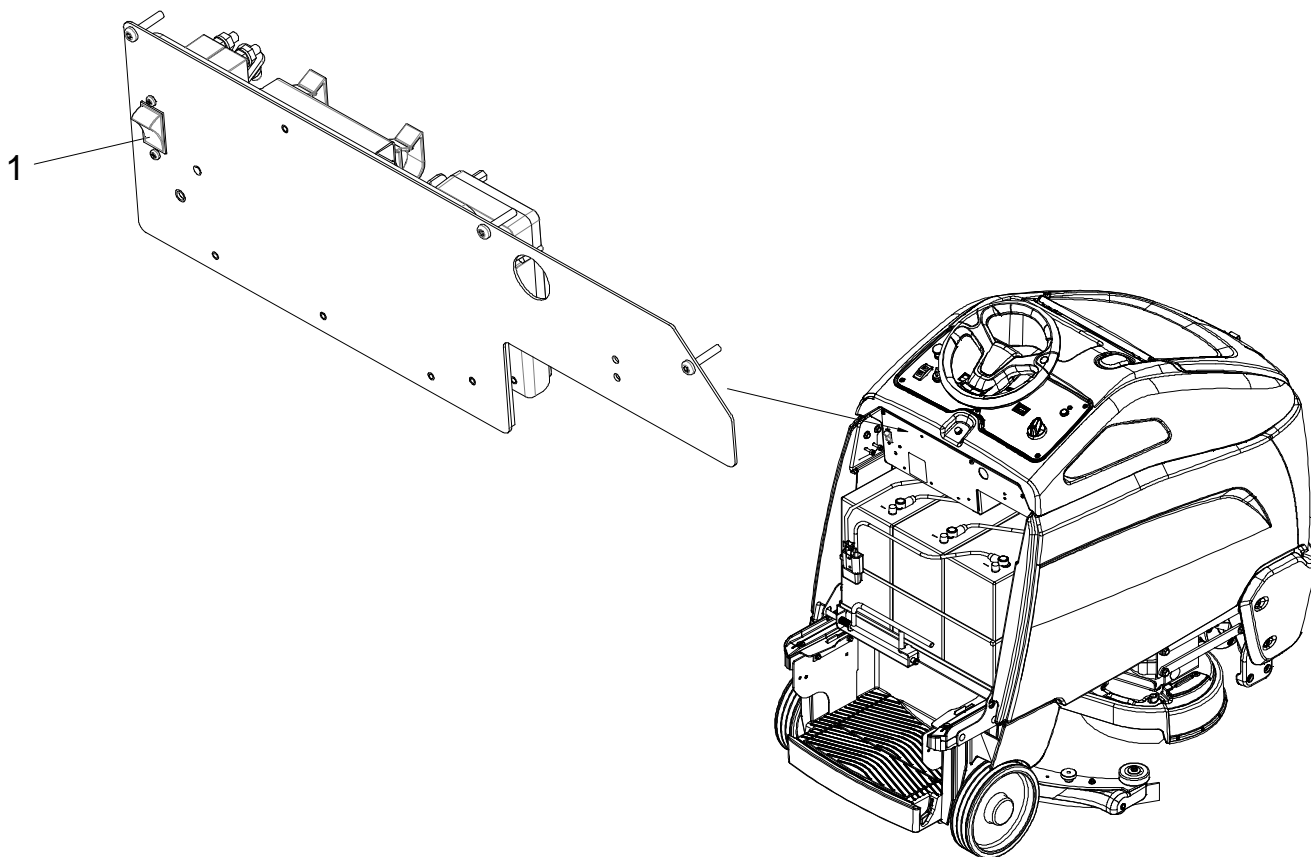
Scrub Deck Actuator Adjustment

The actuator will need to be adjusted when replaced.

To adjust the actuator:

1. While holding actuator barrel to prevent it from spinning, apply power to the actuator such that it is fully extended. Positive power to white wire, and negative/ground to black. Limit switch within actuator will stop it.
2. Turn barrel out one or more full turns to assure that when it is retracted it will not bind against itself.
3. While holding actuator barrel to prevent it from spinning, apply power to the actuator such that it is fully retracted. Positive power to black wire, and negative/ground to white wire. Limit switch within actuator will stop it.
4. With actuator fully retracted, turn barrel in until it touches the base of the threaded shaft.
5. At the bottomed out position, turn the barrel one full turn, then enough more to allow connection to lift linkage.
6. Connect actuator to lift linkage.
7. Check travel of actuator during operation.

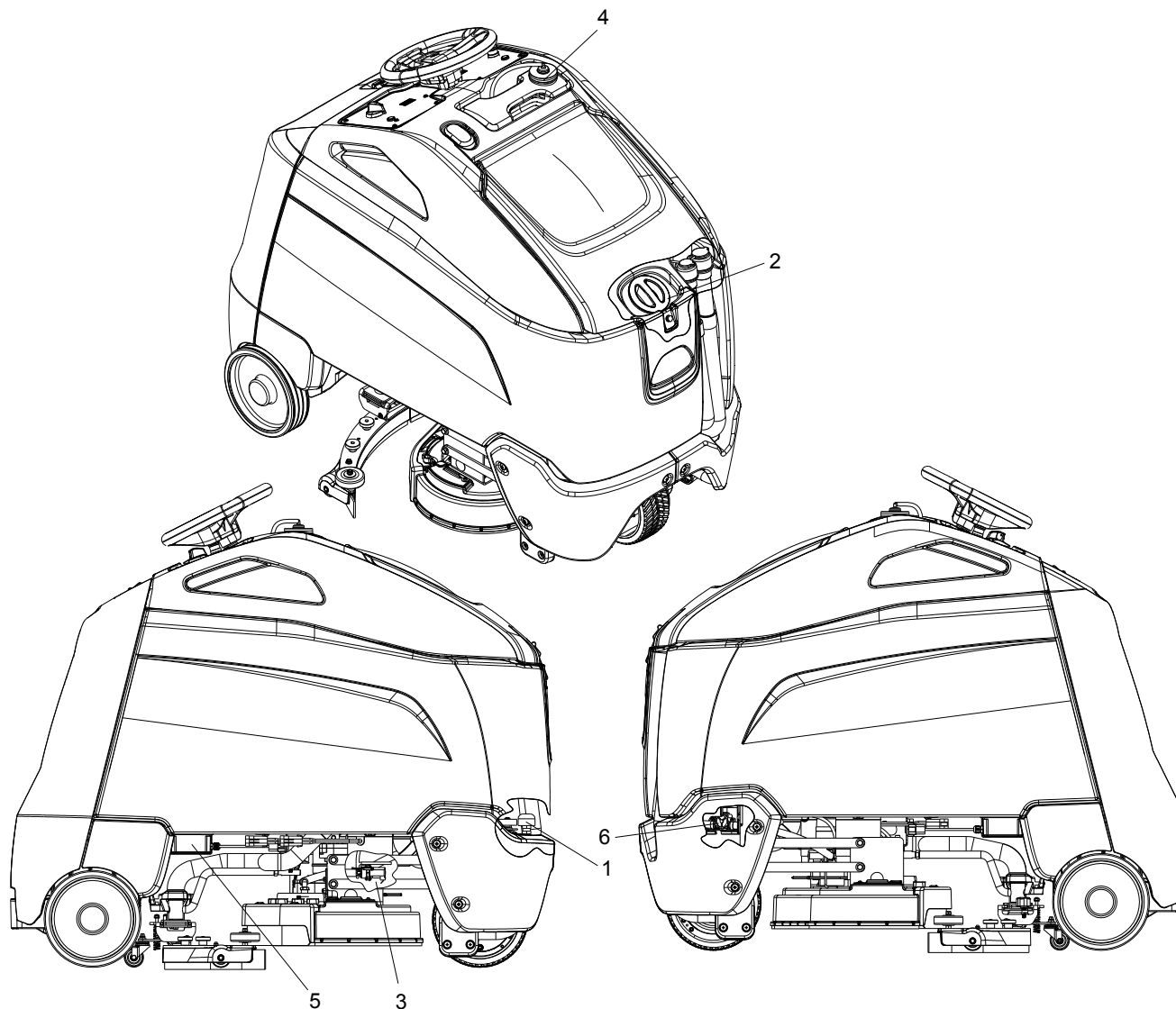
Circuit Protection



Circuit Breakers

1. MAIN CIRCUIT BREAKER

Interrupts the flow of power from batteries in the event of an electrical overload. When the circuit breaker is tripped, it can be reset by pressing the toggle switch. If the circuit breaker continues to trip, the cause of the electrical overload must be corrected.



Solution

1. Strainer
2. Solution Cap
3. Solenoid Valve
4. Chemical Bottle (Optional)
5. Chemical Pump (Optional)
6. Flow Meter (Optional)

Solution Strainer

Located in bottom of tank. Protects system from debris.

Solenoid Valve

The solenoid valve is mounted on the front of the scrub deck, on left side. The solenoid valve opens and closes to meter the correct amount of solution to the scrub deck.

The solenoid valve shuts off solution flow to scrub deck whenever scrubbing stops. To repair or replace solenoid valve, remove screws that secure it to deck.

Chemical Bottle (Optional)

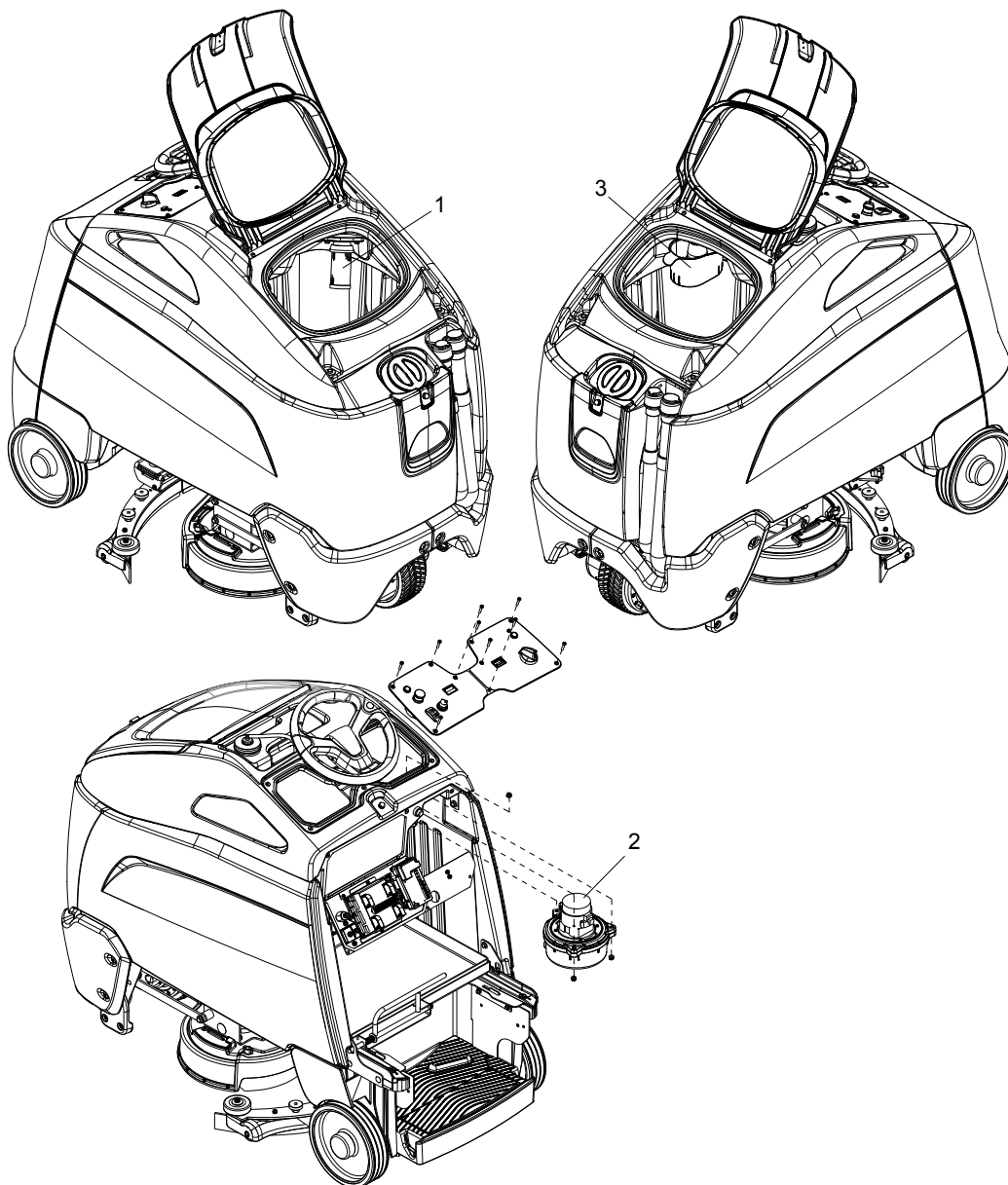
Holds chemical for optional metering system.

Chemical Pump (Optional)

Located in front of operator platform on left side. Pump meters chemical into water flow from solution tank.

Flow Meter (Optional)

Located front left side of machine. Measure water flow being delivered to scrub deck for accurate chemical dilution.



Vacuum

1. Recovery Tank Float Shut-off
2. Vacuum Motor
3. Debris Bin

Recovery Tank Float Shut-off

When water is no longer being vacuumed from the floor and the vacuum fan is operating, the ball float has engaged. The vacuum motor will not vacuum water with recovery tank full. The recovery tank must be drained.

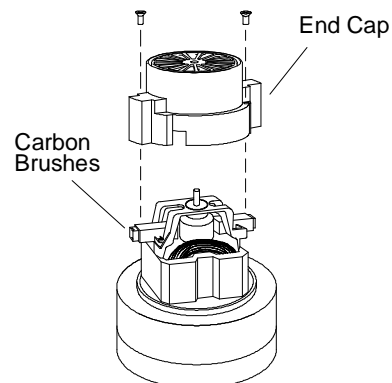
1. The float shut-off screen can be cleaned in or out of the machine.
2. To clean the float shut-off while it is inside the machine wipe material off screen then rinse. Check that the ball is also clean and moves freely.
3. To remove the float shut-off, tilt and pull the float screen assembly off the tank fitting barb.
4. To install, tilt and push the float screen assembly over the tank fitting barb.

FOR SAFETY: Before leaving or servicing machine, stop on a level surface, turn off machine and disconnect power.

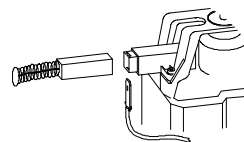
To Repair or Replace Vacuum Motor

1. Remove rear cover from machine.
2. Remove upper control panel.
3. Remove three screws on lower panel and hinge panel down.
4. Disconnect electrical connector from the vacuum motor.
5. From topside, remove one nut in front of vacuum motor.
6. From backside, support vacuum motor and remove two remaining nuts on vacuum housing.
7. Lower vacuum motor, remove front rubber isolator from stub. Pull vacuum motor and upper housing out of machine. Lower housing and hoses stay with machine.
8. Remove upper housing from vacuum motor by removing four screws.
9. Reverse steps to install. Make sure that gasket is on vacuum so that vacuum seals against tank.

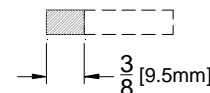
Vacuum Motor Carbon Brushes



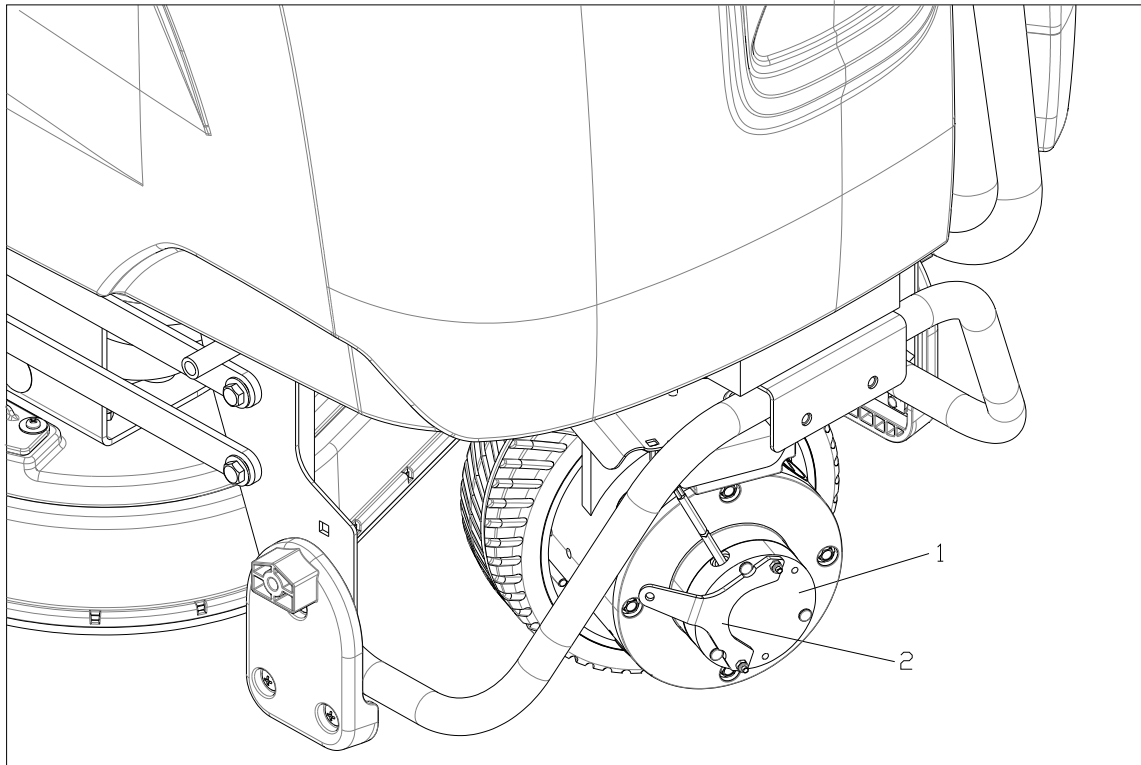
If armature commutator is grooved, extremely pitted or not concentric, the motor will need to be replaced or sent to a qualified service center.



Important:
These brushes wear quicker as the length shortens due to increased heat. Spring inside brush housing will damage motor if brushes are allowed to wear away completely.



Periodically check the length of the carbon brushes. Replace both carbon brushes when either is less than 3/8" (9.5mm) long.



Drive Motor

- 1. Drive Motor
- 2. Parking Brake

Electric Parking Brake Engagement

FOR SAFETY: Before leaving or servicing machine, stop on a level surface, turn off machine and remove key.

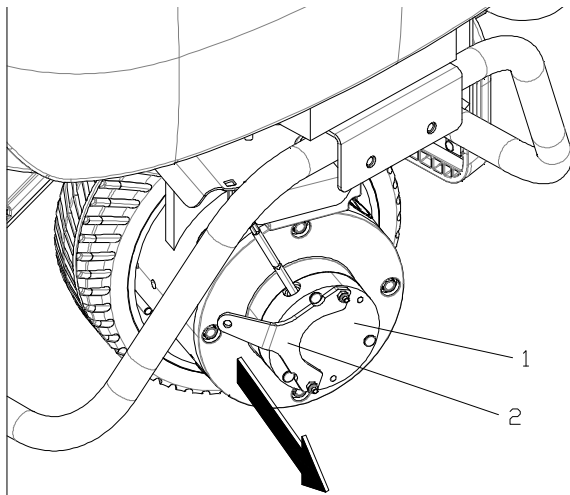
Electric Brake Engagement

This machine is equipped with an electric parking brake.

The brake automatically engages and keeps the machine from moving whenever the operator steps off the platform or when emergency stop is engaged.

The brake has a mechanical over-ride that can be engaged so machine can be pushed or towed (slowly).

To disengage brake:



1. Pull lever away from brake housing.
2. Insert material to hold brake lever in place.

⚠ WARNING:

Do not operate machine with brake disengaged.

⚠ AVERTISSEMENT:

N'actionnez pas la machine avec le frein désengagé.

Drive Motor Carbon Brush Replacement

⚠ WARNING:

Do not use a pressure washer to clean around the motors. Use tap pressure only.

⚠ AVERTISSEMENT:

N'utilisez pas de nettoyeur haute pression pour nettoyer autour des moteurs des brosses. Utilisez seulement la pression du robinet.

FOR SAFETY: Before leaving or servicing machine, stop on a level surface, turn off machine and remove key.

1. Disconnect batteries from machine.
2. Remove brush caps from motor housing.
3. Replace brushes.
4. Install brush caps to motor housing.

Maintenance

Transporting

Pushing Machine

The machine may be pushed for short distances at speeds not to exceed 5 mph. Be careful to avoid damaging machine. The machine may be pushed by hand from the rear.

NOTE: To avoid damage caused by regenerative voltage, disconnect traction motor before towing or pushing machine.

Machine Tie-Downs

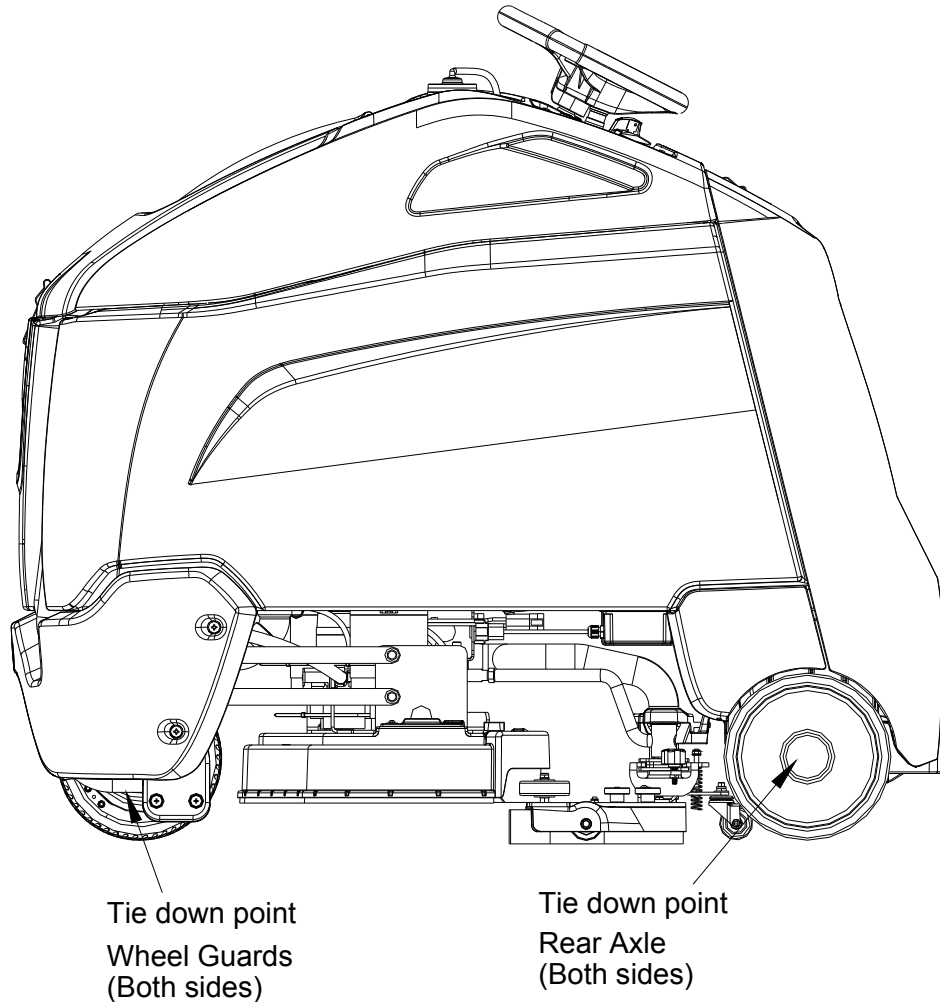
There are four tie down points, two on the front wheel guards, and two on the rear axle located on either side of the foot box.

Preparation for Loading/Unloading Trailer

Before loading or unloading machine from trailer, remove squeegee, scrub deck, side skirts or side squeegees, Aqua-Mizers and scrub brushes (pads) to eliminate interference with tie-downs.

Scrub head must be in the up position before loading.

When transporting the machine on a trailer or in a truck, in addition to using tie-downs, be sure to set the parking brake, and block the tires to prevent the machine from rolling













Troubleshooting

PROBLEM	CAUSE	SOLUTION
No power to machine	Battery disconnected	Check all battery cable connections
	Emergency shut-off activated	Reset
	Battery cables corroded	Clean connections
	Faulty key switch	Replace switch
	On board charger plugged in	Unplug and stow cord
	Main circuit breaker tripped	Reset circuit breaker
Little or no propel	Low battery charge	Charge batteries
	Machine turned on with pedal not in neutral position	Allow pedal to return to neutral. Restart.
	Tripped circuit breaker	Reset circuit breaker
	Wheels spin	Decrease brush pressure
	Controller overheated	Allow cool down period
	Loose motor connection	Check wires and connections from controller to motor
	Faulty throttle circuit or potentiometer	Check wires and connections from and potentiometer resistance
	Faulty drive reset circuit or switch	Check wires, connections and switch
	Faulty platform circuit or switch	Check wires, connections and switch
Machine does not change speeds	Faulty speed control circuit or switch	Check wires & connections
Forward speed only Reverse speed only	Faulty forward/reverse circuit	Check wires & connections
Poor or no water pickup	Debris caught on squeegee	Remove debris
	Worn squeegee blades	Rotate or replace squeegee blades
	Vacuum hose clogged	Clear obstruction from hose
	Vacuum hose disconnected from squeegee or recovery tank dome	Reconnect vacuum hose
	Recovery tank float system dirty	Clean float system
	Recovery tank not sealed	Latch recovery tank lid to tank. Replace damaged gaskets
	Float-ball shut-off engaged, tank full	Empty recovery tank
	Foam filling recovery tank	Empty recovery tank. Use less or different detergent. Use defoamer.

Maintenance

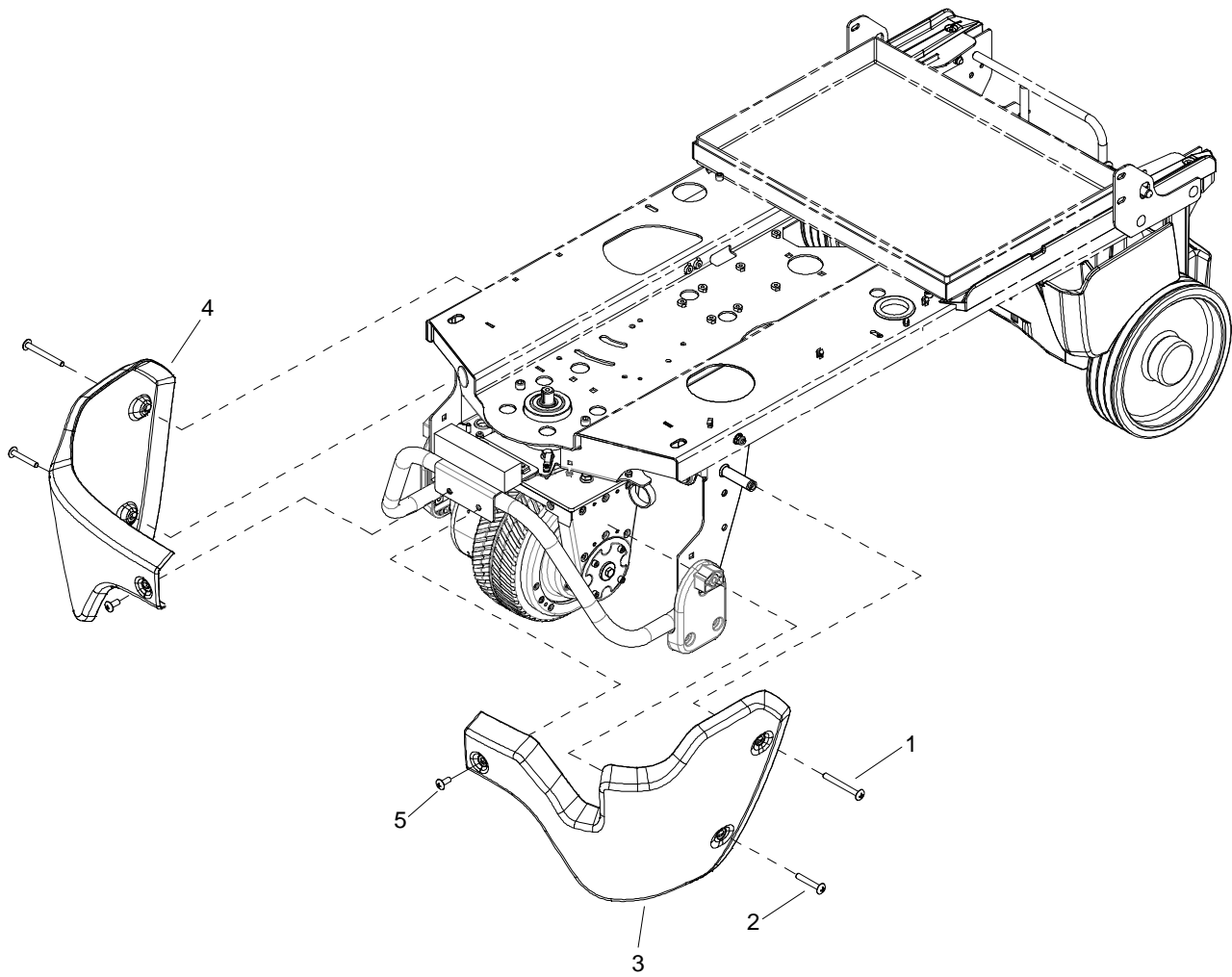
PROBLEM	CAUSE	SOLUTION
Vacuum motor does not run, or runs slowly	Faulty vacuum circuit or switch	Check wires connections and motor
	Worn vacuum motor brushes	Replace brushes, check commutator
Squeegee will not go up/down	Faulty circuit or actuator	Check wires, connectors and actuator
	Faulty cables or pulleys	Repair/replace cables or pulleys
Poor scrubbing performance	Debris caught in scrub brushes	Remove debris
	Worn brushes or pads	Replace brushes or pads
	Improper detergent, brush or pad used	Contact equipment or application specialists
	Low battery charge	Charge batteries
Little or no solution flow to the floor	Solution tank empty	Fill solution tank
	Solution strainer plugged	Clean solution strainer
	Solution system plumbing obstructed	Clear obstruction from plumbing
	Solution solenoid valve obstructed or faulty	Repair or replace solenoid valve
Brush motors do not run, or run slowly	Low battery charge	Charge battery
	Faulty brush circuit or motor	Check wires, connections and motor
	Worn brush motor brushes	Replace brushes, check commutator
Scrub deck goes down, then raises	Faulty actuator circuit or actuator	Check wire connections and actuator
	No brushes or pad drivers on machine	Install brushes or pad drivers
Chemical Metering System does not operate	Chemical Reservoir empty	Fill reservoir
	Chemical Cap Strainer clogged	Clean strainer
	Chemical System plumbing obstructed	Clear obstruction
	Faulty Flow Meter	Press prime button. If chemical flows, Repair/replace flow meter.
	Faulty Chemical Pump	Press prime button. If chemical does not flow, repair/replace pump.

Controller Fault Codes

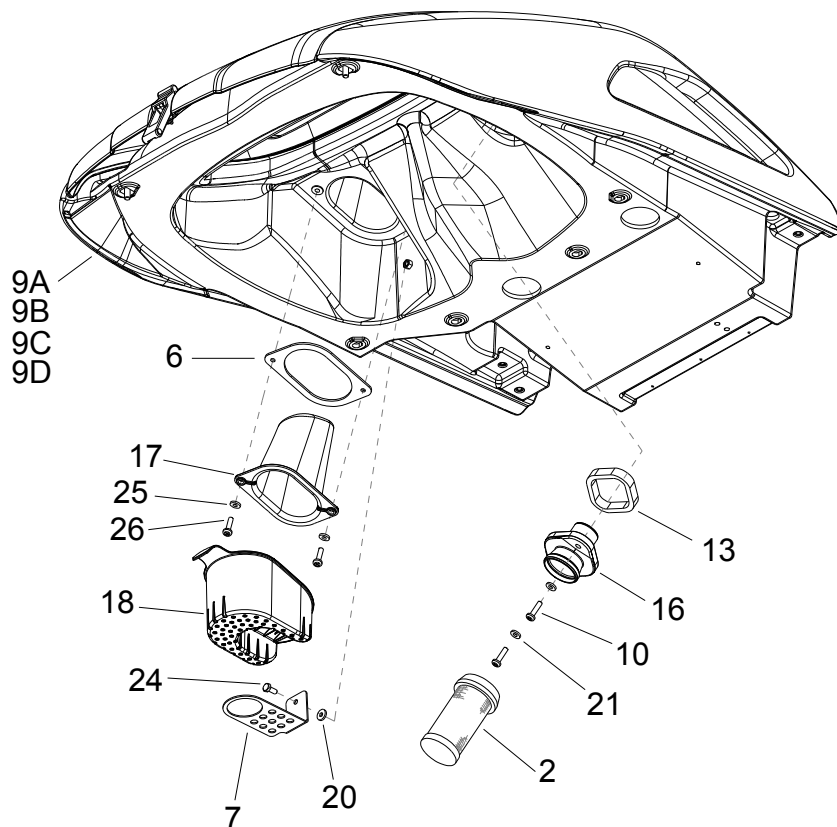
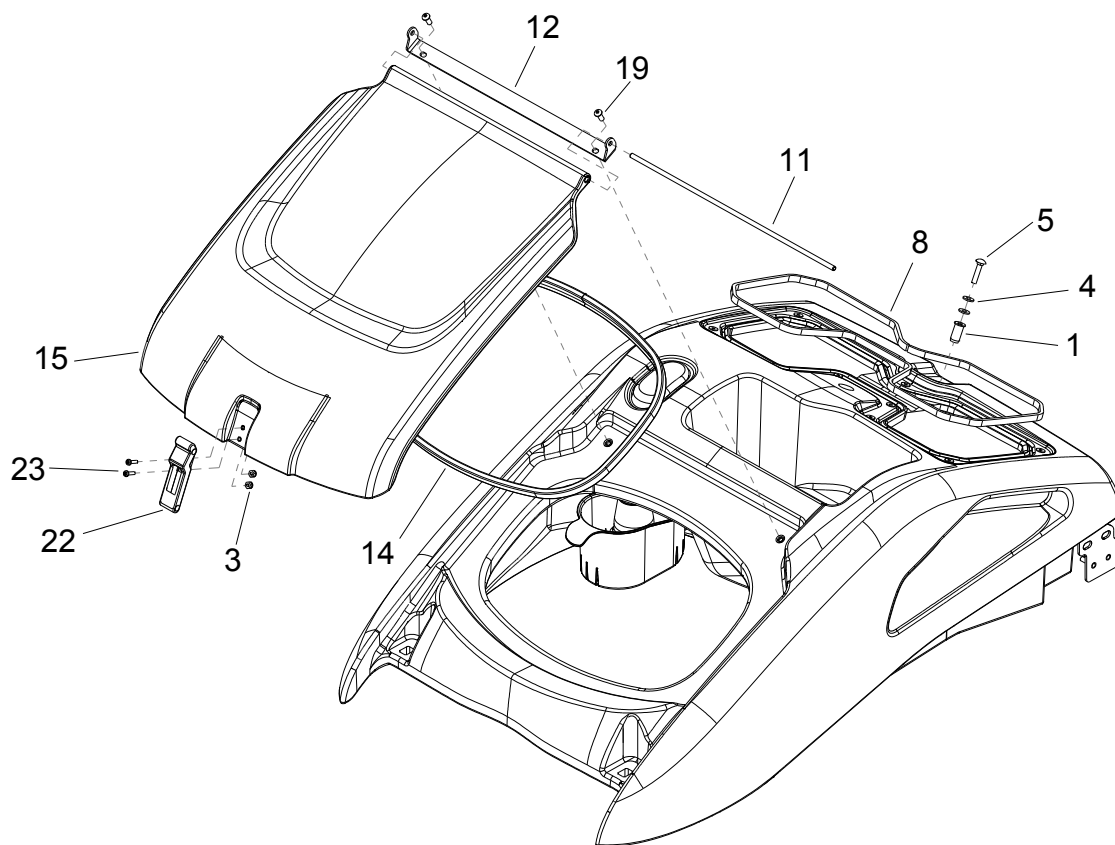
ERROR CODE DELUXE	PROBLEM	SOLUTION
	LOW BATTERY VOLTAGE	THE BATTERY NEEDS CHARGING OR THERE IS A BAD CONNECTION TO THE BATTERY
	TRACTION MOTOR DISCONNECTED	THE TRACTION MOTOR HAS A BAD CONNECTION, CHECK CONNECTIONS TO MOTOR
	TRACTION MOTOR SHORT CIRCUIT	THE TRACTION MOTOR HAS A SHORT CIRCUIT TO THE BATTERY
	AUX FAULT or ACTUATOR (DECK or SQUE) OVERCURRENT	CHECK AUX OUTPUT DEVICES, CHECK ALL ASSOCIATED WIRING TO AUX DEVICES
	VACUUM MOTOR TRIP	THE VACUUM MOTOR HAS EXCESSIVE CURRENT. CHECK FOR SHOR CIRCUITS OR OTHER DAMAGE.
	BRUSH MOTOR TRIP	THE BRUSH MOTOR HAS EXCESSIVE CURRENT, CHECK FOR SHORT CIRCUITS, PADS OR OTHER DAMAGE.
	THROTTLE TRIP ERROR	THE THROTTLE IS DEFLECTED OR ASSOCIATED WIRING HAS A BREAK OR SHORT CIRCUIT
	CONTROL SYSTEM TRIP	THE CONTROL SYSTEM IS IN ERROR, CHECK ALL CONNECTIONS TO CONTROLLER
	SOLENOID BRAKE	THE SOLENOID HAS A BAD CONNECTION, CHECK CONNECTION TO BRAKE
	HIGH BATTERY VOLTAGE	EXCESSIVE BATTERY VOLTAGE, CHECK FOR POOR BATTERY CONDITION

Parts

Bumper

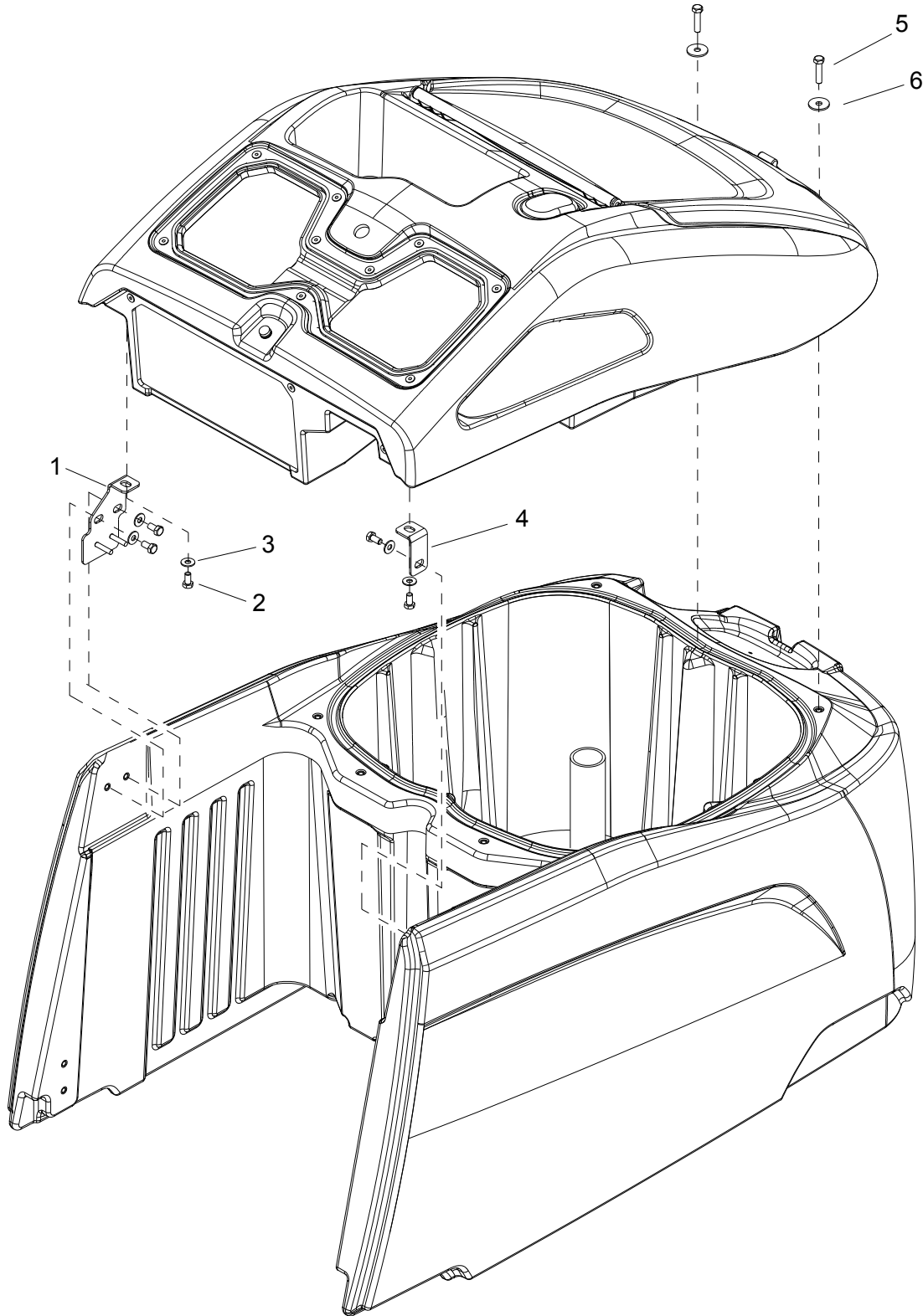


REF	PART NO.	QTY	DESCRIPTION	SERIAL NO. FROM	NOTES
1	86361960	2	SCR, 5/16-18 X 3.0 PTHMS SS		
2	86361950	2	SCR, 5/16-18 X 2.0 PTHMS SS		
3	86359000	1	BUMPER, LEFT, GRAY		
4	86358960	1	BUMPER, RIGHT, GRAY		
5	86276890	2	SCREW 5/16-18X3/4 PTHMS SS		



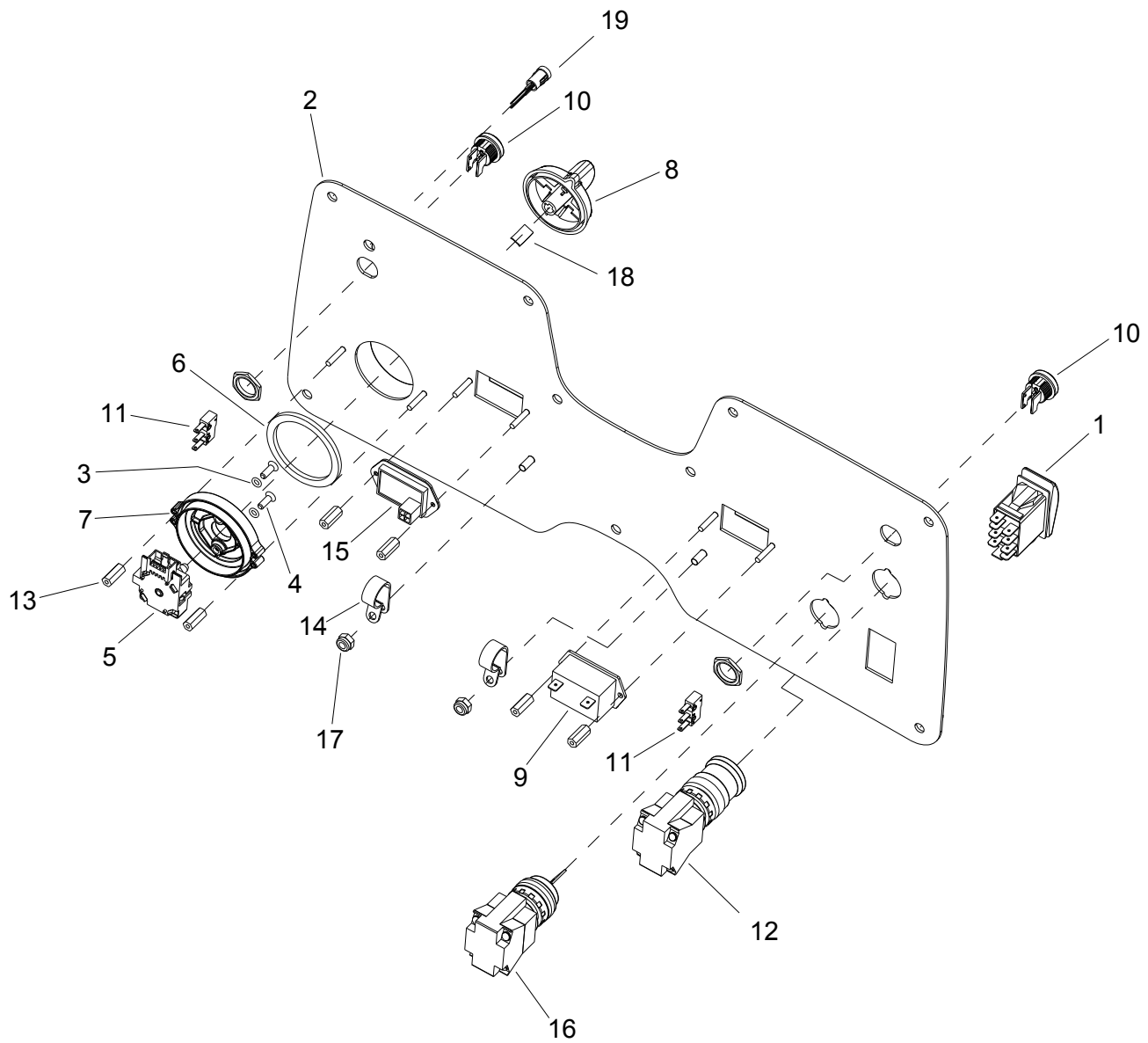
REF	PART NO.	QTY	DESCRIPTION	SERIAL NO. FROM	NOTES
1	86005620	1	NUT, 1/4-20 X .962 WELL		
2	86199840	1	FLOAT SCREEN CAGE ASSY (SLIP)		
3	86272020	2	NUT, 8-32 HEXTHIN NYLOCK SS		
4	86361770	2	WASHER, 1/4 SAE FLAT SS		
5	86361760	1	SCR, 1/4-20 X 1.25 CARRIAGE SS		
6	86361410	1	GASKET, SIGHT GLASS DOME		
7	86360770	1	BRKT, RECOVERY TUBE		
8	86360700	1	GASKET, .188 X .37 X 53.2		
9A	86367990	1	CONSOLE, BLUE, CS26		
9B	86368010	1	CONSOLE, BLUE, MC, CS26		OPTIONAL -CSM26
9C	86368000	1	CONSOLE, BLUE, OBC, CS26		OPTIONAL-CSC26
9D	86359210	1	CONSOLE, BLUE, OBC/MC, CS26		OPTIONAL-CSCM26
10	86006530	2	SCR, 1/4-20 X 1 PPHMS SS		
11	86360260	1	SHAFT, .25 X 15.80, SS		
12	86360140	1	BRKT, LID HINGE		
13	86359560	1	GASKET, FLOAT SCREEN ADAPTER		
14	86359220	1	GASKET, LID, 48.5"		
15	86359100	1	LID, RECOVERY		
16	86359090	1	ADAPTER, FLOAT SCREEN		
17	86359050	1	DOME, SIGHT GLASS		
18	86359020	1	BASKET, FILTER, RECOVERY TANK		
19	86324210	2	SCR, 1/4-20 X 5/8 BHCS BLK		
20	86323300	1	WASHER, 1/4" RUBBER		
21	86279610	2	WASHER, SEAL 1/4X5/8OD SS		
22	86161800	1	LATCH, CONCEALED KEEPER		
23	86277620	2	SCR, 8-32 X .5 HHCS SS		
24	86273750	1	SCR, 1/4-20 X 5/8 HHCS SS		
25	86010650	2	WASHER, #10 X 9/16 OD		
26	86329570	2	SCR, 10-32 X 1.0 TORX SS BLK PLTD		

Console Mounting



REF	PART NO.	QTY	DESCRIPTION	SERIAL NO. FROM	NOTES
1	86360300	1	BRKT, CONSOLE MT LT		
2	86276490	5	SCREW 5/16-18 X 5/8 HHCS SS		
3	86010670	5	WASHER 5/16 FLAT SS		
4	86360290	1	BRKT, CONSOLE MT RT		
5	86367960	2	SCR, 5/16-18 X 1.38 HHCS SS		
6	86367250	2	WASHER, .344ID X 1.13OD X .09T SS		

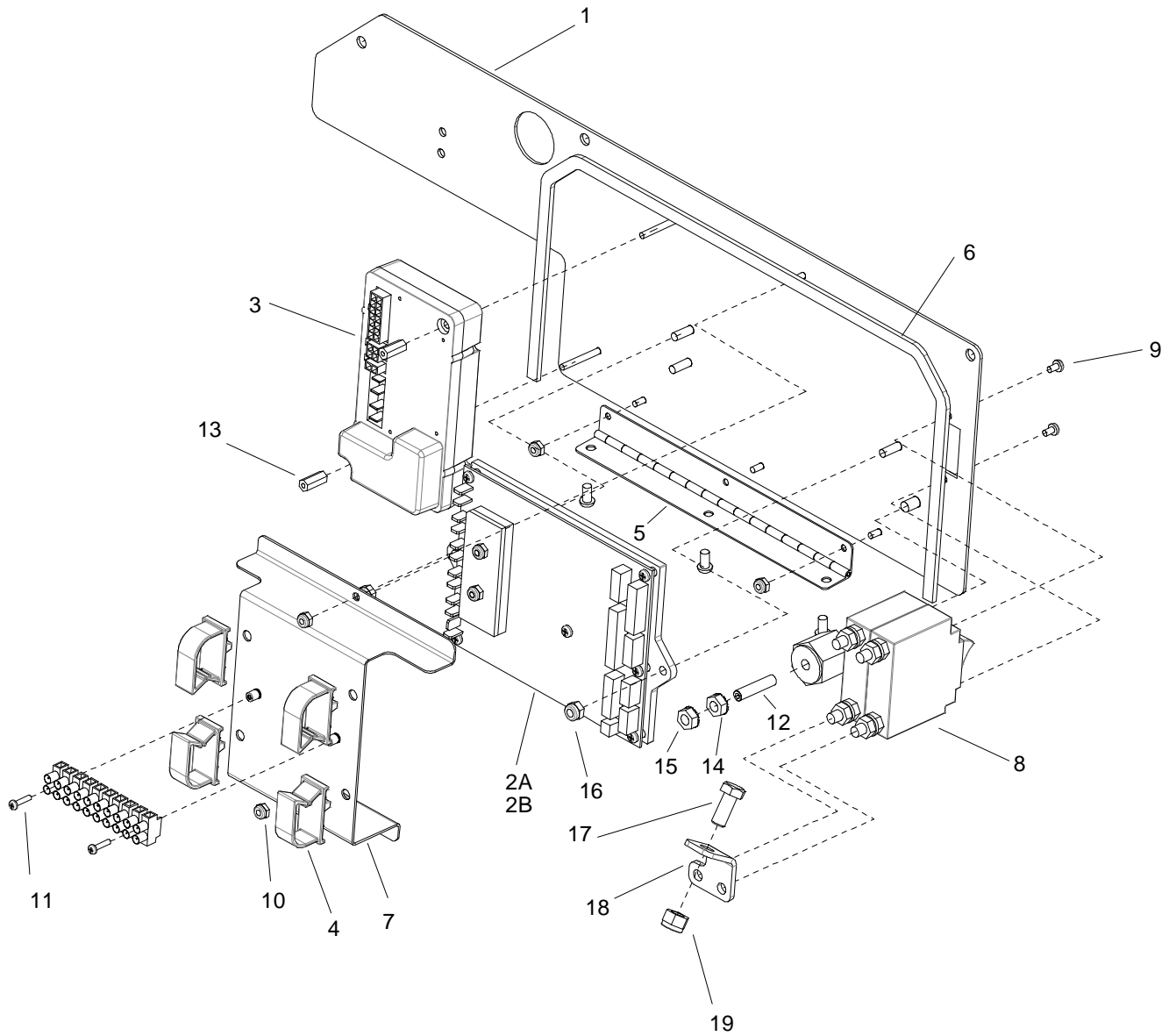
Control Panel - Upper



Control Panel - Upper

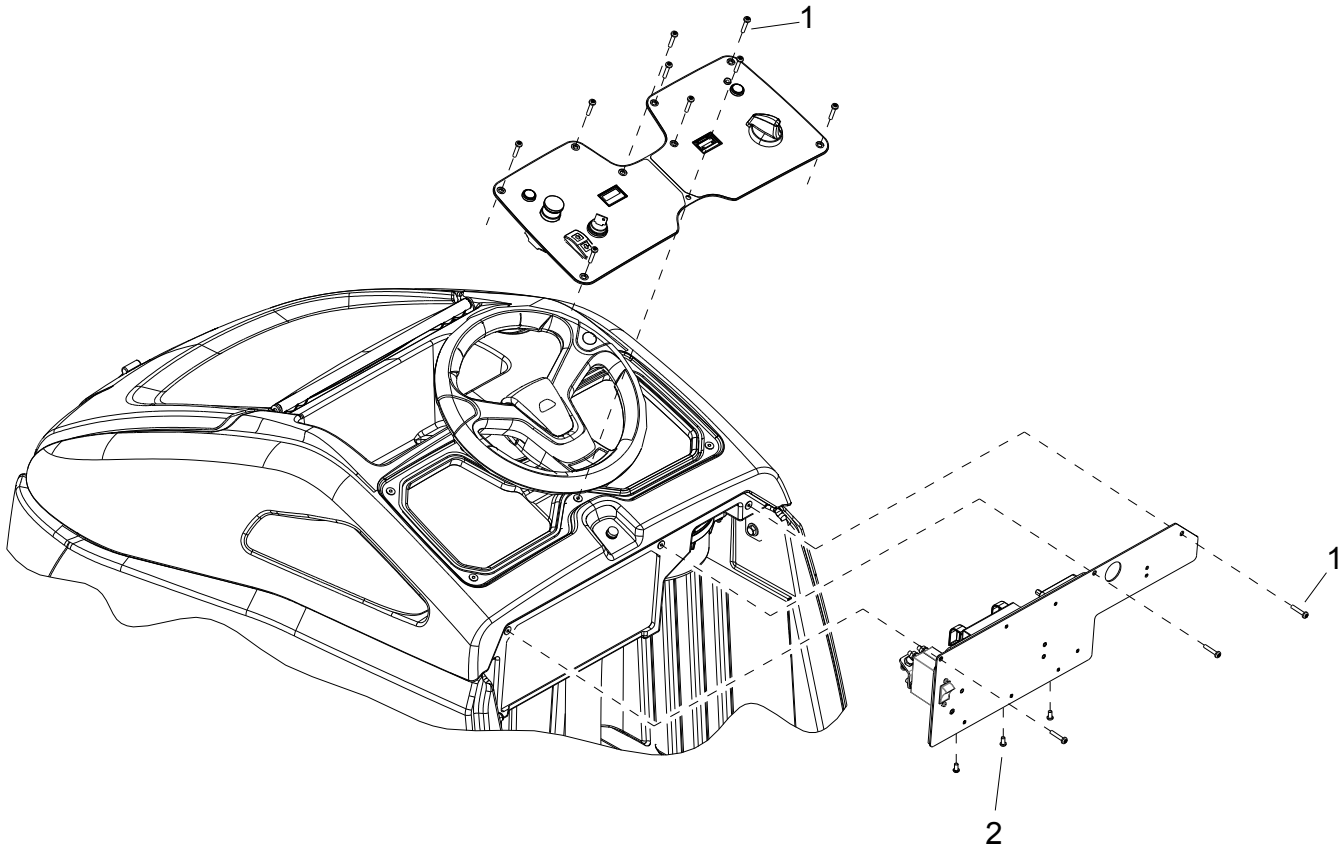
REF	PART NO.	QTY	DESCRIPTION	SERIAL NO. FROM	NOTES
1	86362590	1	SWITCH, SPDT 3 POSN MOM, ARROW		
2	86360690	1	PANEL, CONTROL UPPER, CS26		
3	86358440	2	O-RING, 4MM ID, 1.5MM THK, BUNA-N		
4	86358430	2	SCR, M4X12, FHMS, ISO7046, SS NP		
5	86354870	1	SWITCH, ROTARY		
6	86354810	1	GASKET, ROTARY SWITCH		
7	86354560	1	BEZEL, ROTARY SWITCH		
8	53217380	1	KNOB, SELECTION		
9	86315470	1	METER, HOUR, LCD		
10	86295200	2	ASM, BUTTON, BLACK, W/BEZEL		
11	86292780	2	SWITCH,MICRO		
12	86292590	1	SWITCH, E-STOP AKW CHARIOT		
13	86255900	6	STANDOFF, 6-32 X 5/8 HEX NYL		
14	86198460	2	CLAMP, 5/8 NYLON		
15	86012670	1	METER, 36V BATTERY		
16	86007190	1	SWITCH, KEY DPST		
17	86005640	2	NUT, 10-32 HEX NYLOCK		
18	63130140	1	SPRING ELEMENT		
19	86367100	1	LED, WATER INDICATOR		

Control Panel-Lower



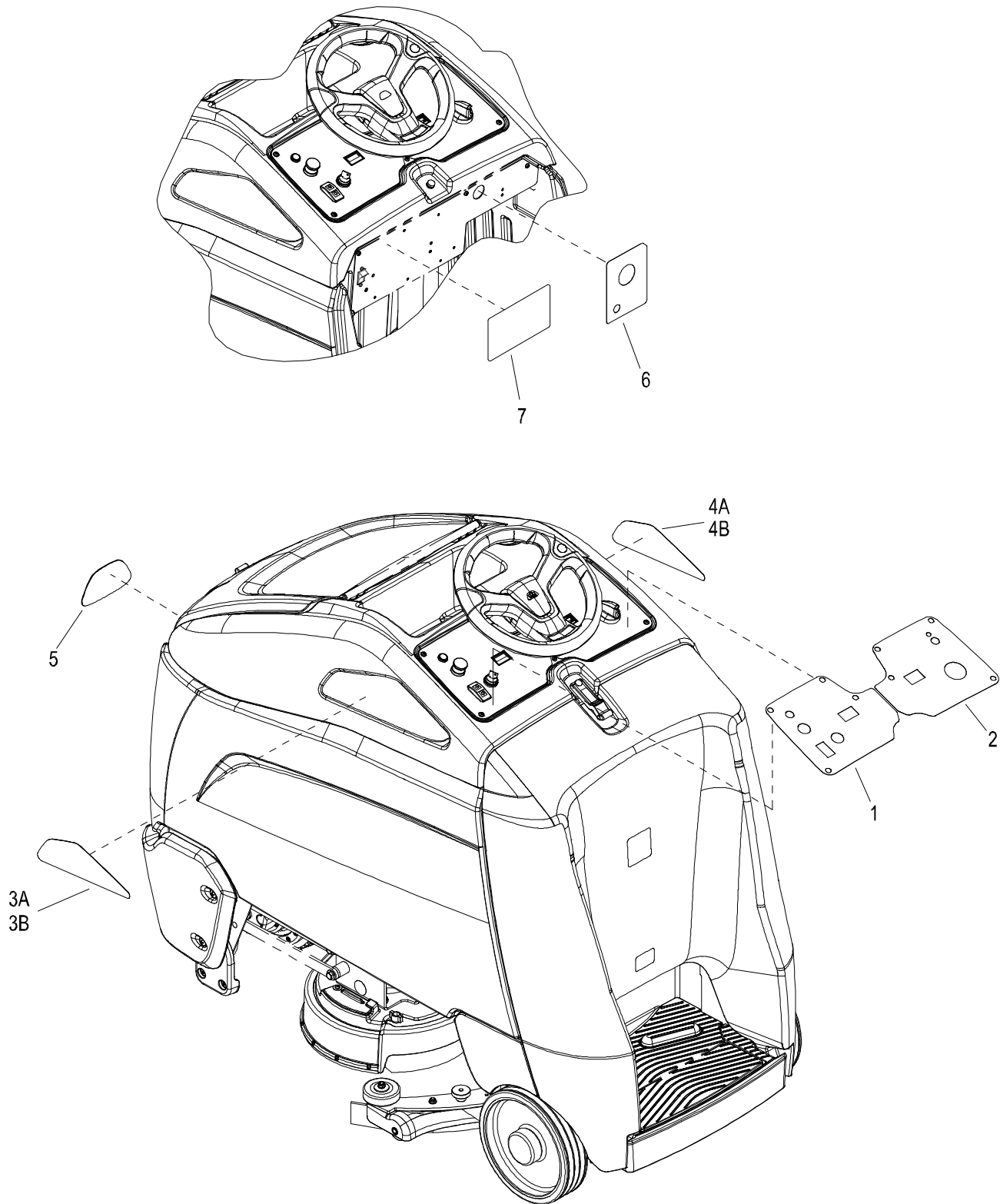
REF	PART NO.	QTY	DESCRIPTION	SERIAL NO. FROM	NOTES
1	86366910	1	PANEL, LOWER. CS26		
2A	86370780	1	KIT, PICDUO CONTROLLER		DISK
2B	86370510	1	PICDUO ASSEMBLY, MC, CS26SP		CYLINDRICAL
3	86361870	1	CONTROLLER, I-DRIVE CS26		
4	86361520	4	CLIP, CABLE ENTRY		
5	86361420	1	HINGE, PANEL		
6	86360890	1	GASKET, .125 X .31 X 23.6		
7	86360880	1	COVER, CONTROL BOARD		
8	86369020	1	BREAKER, 60A 2 - POLE		
9	86006620	2	SCREW, 6-32 X 1/4 PPHMS SS		
10	86270920	4	NUT, 6-32 HEX NYLOCK SS		
11	86275260	2	SCR, 4-40 X 1/2 PPHMS		
12	86255910	1	STANDOFF, 1/4-20 X 1.0 HEX INS		
13	86255900	2	STANDOFF, 6-32 X 5/8 HEX NYL		
14	86006850	1	SCR, 1/4-20 X 1.25 SSSCU		
15	86005710	4	NUT, 1/4-20 HEX W/STAR		
16	86005640	2	NUT, 10-32 HEX NYLOCK		
17	86006760	1	SCREW, 5/16-18 X .75 HHCS GR5 ZNPLT NP		
18	86369480	1	BRKT, CABLE ATTACHMENT		
19	86271910	1	NUT, 5/16-18 FLEX LK STL GRA CDPLT		

Control Panel Mounting



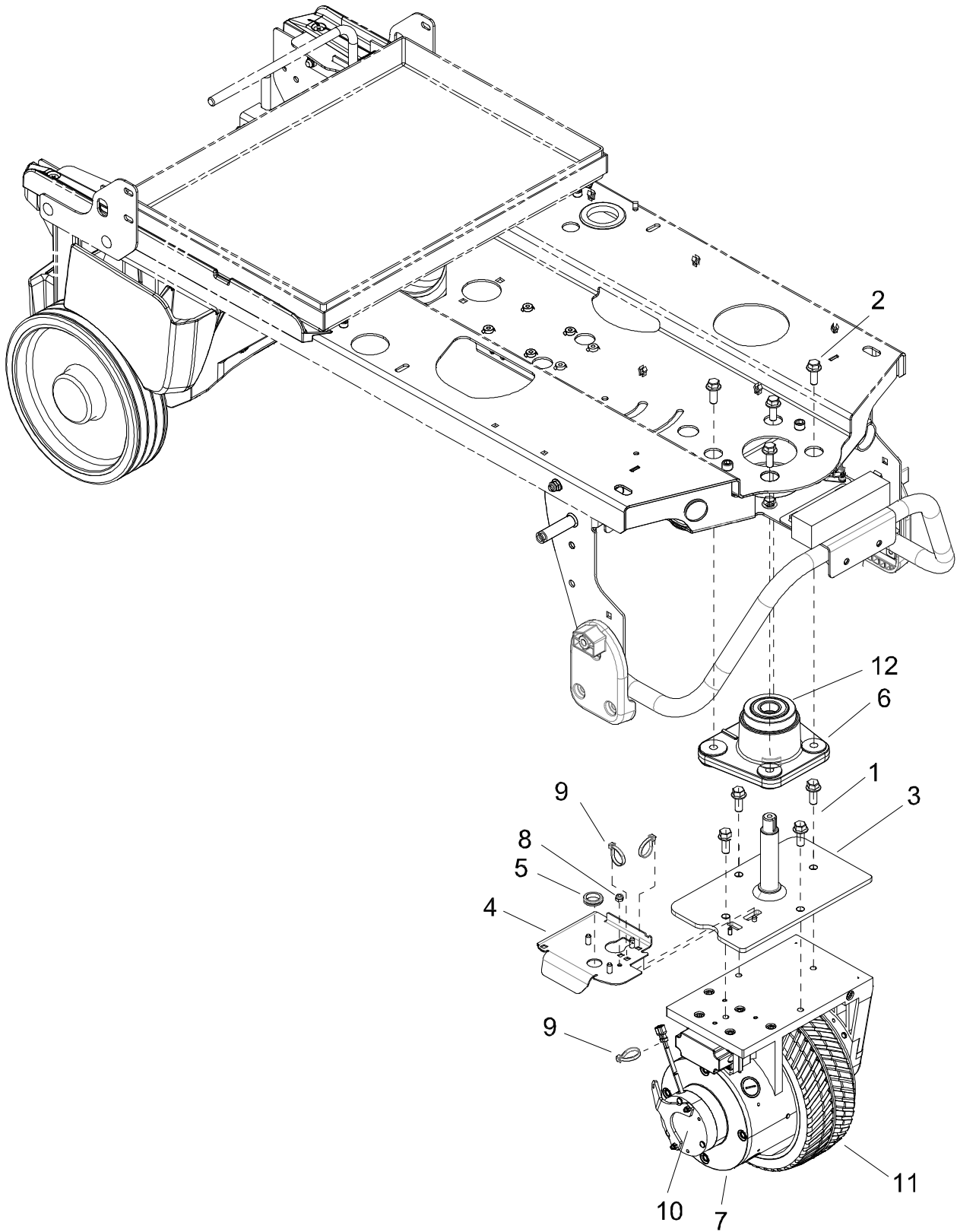
Control Panel Mounting

REF	PART NO.	QTY	DESCRIPTION	SERIAL NO. FROM	NOTES
1	86371410	12	SCR, 10-32 X .75 TMS SS BLK		
2	86172980	3	SCR, KA50X10,PT OHS,WN1412,PLTD		

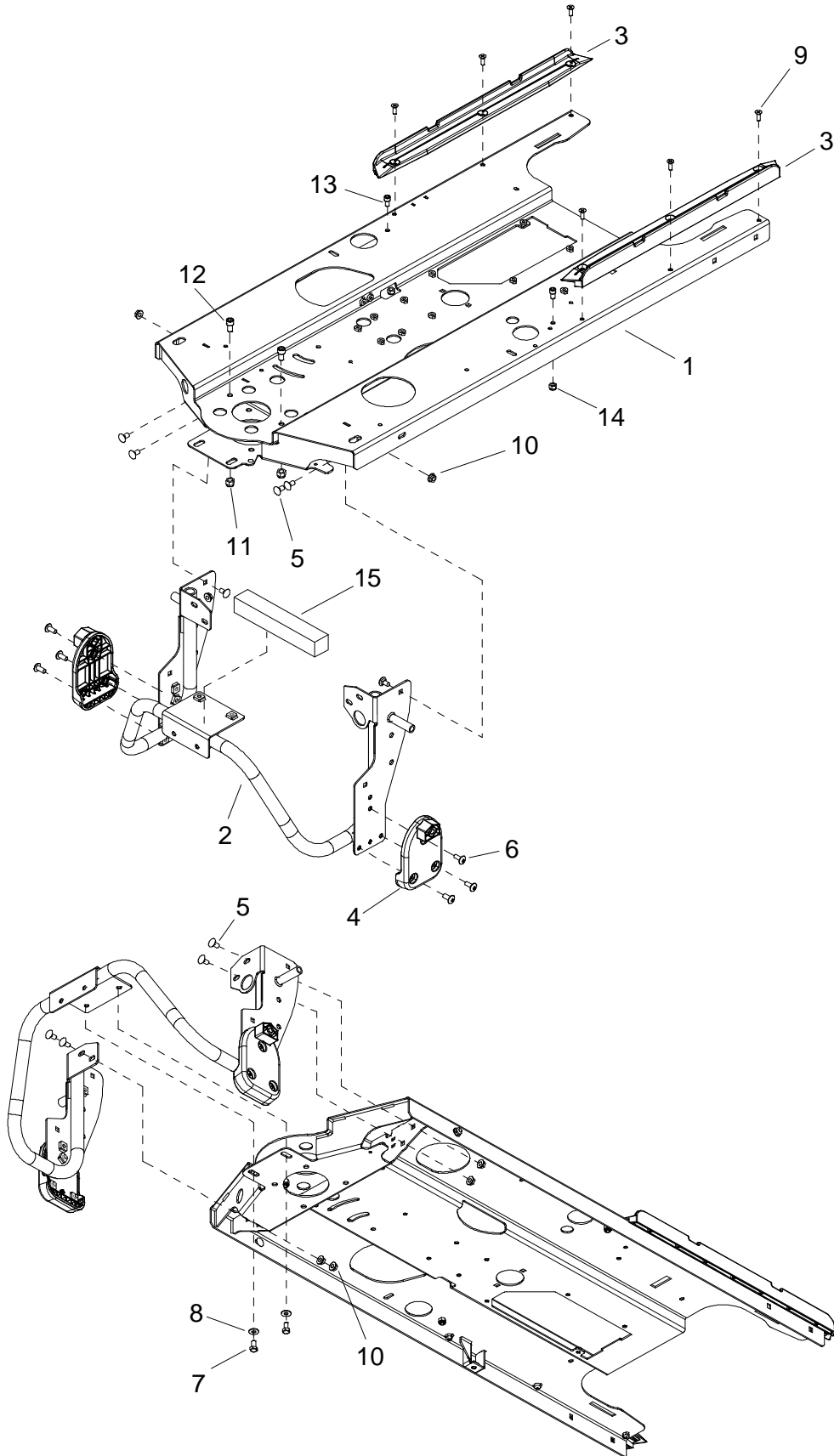


REF	PART NO.	QTY	DESCRIPTION	SERIAL NO. FROM	NOTES
1	86361790	1	LABEL, CS26, CONTROL, LEFT		
2	86361800	1	LABEL, CS26 CONTROL, RIGHT		
3A	86362780	1	LABEL, CS26, SIDE, LEFT		DISK
3B	86370090	1	LABEL, CS26SP, SIDE, LEFT		CYLINDRICAL
4A	86362790	1	LABEL, CS26, SIDE, RIGHT		DISK
4B	86370100	1	LABEL, CS26SP, SIDE, RIGHT		CYLINDRICAL
5	86004970	1	LABEL WINDSOR LOGO DOMED		
6	86362160	1	LABEL, CHEMICAL METERING		OPTIONAL
7	86362940	1	LABEL, BATTERY CABLING		

Drive Mounting

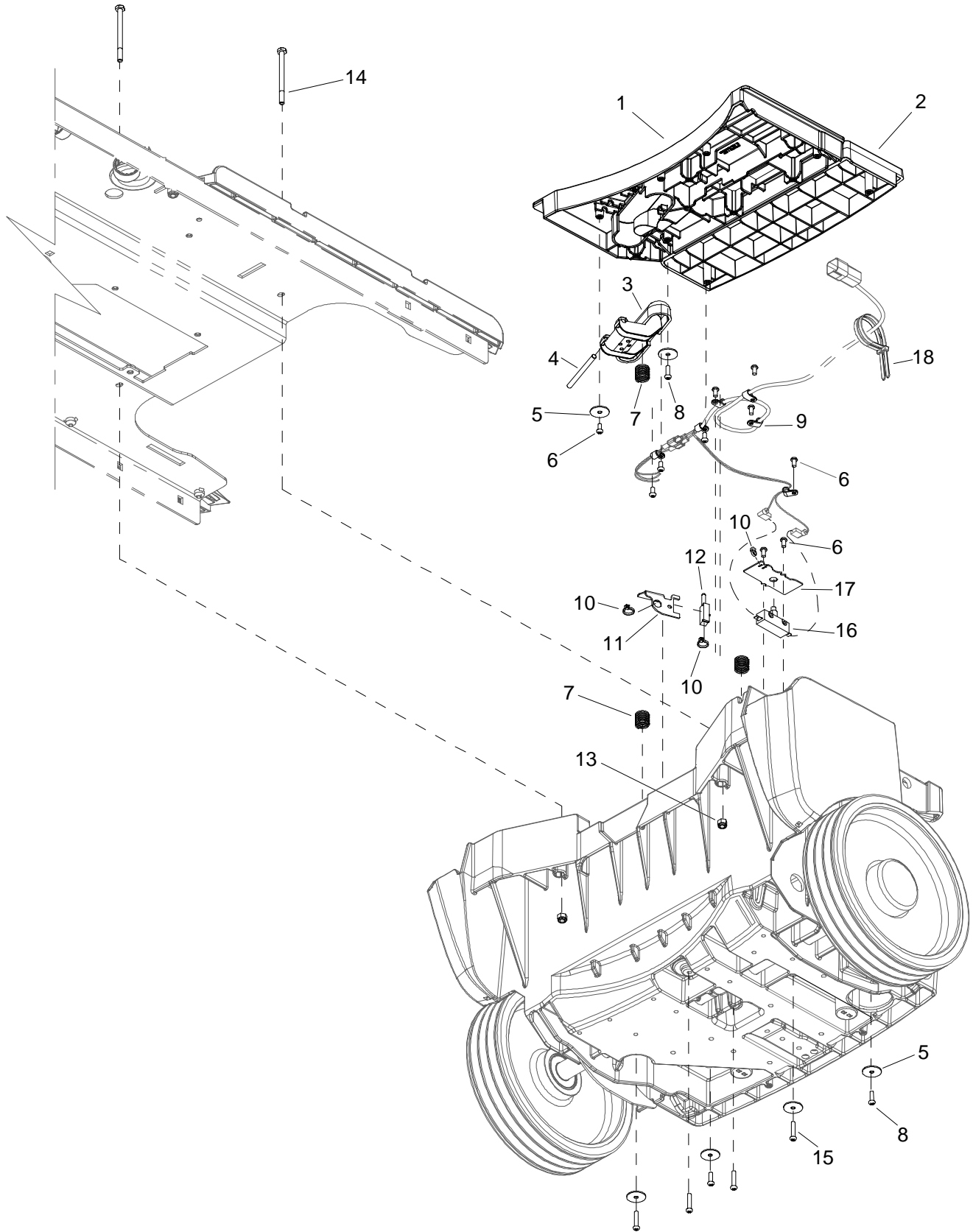


REF	PART NO.	QTY	DESCRIPTION	SERIAL NO. FROM	NOTES
1	86366140	4	M10 X 25MM, FLANGE HH BOLT, GR 10.9		
2	86366130	4	3/8-16 X 1, FLANGE HH BOLT, GR 8		
3	86364130	1	ASM, SHAFT DRIVE MOTOR		
4	86361070	1	BRKT, WIRING, DRIVE UNIT		
5	86218360	1	GROMMET, 3/4 ID X 7/8 GROOVE		
6	86357870	1	ASM, BEARING BLOCK, FRT DRIVE		COMPLETE
7	86357120	1	HUB, DRIVE WHEEL MOTOR, 36V		COMPLETE
8	86270990	1	NUT, 10-32 HEX NYLOCK SS		
9	86264940	3	CABLE TIE, 11.38" UL/CSA		
10	86357130	1	BRAKE		
11	64358540	1	WHEEL DRIVE WHEEL MOTOR		
12	86223980	2	BEARING, SEALED BALL, 25MM X 52MM		
-	66132310	-	CARBON BRUSH SET		



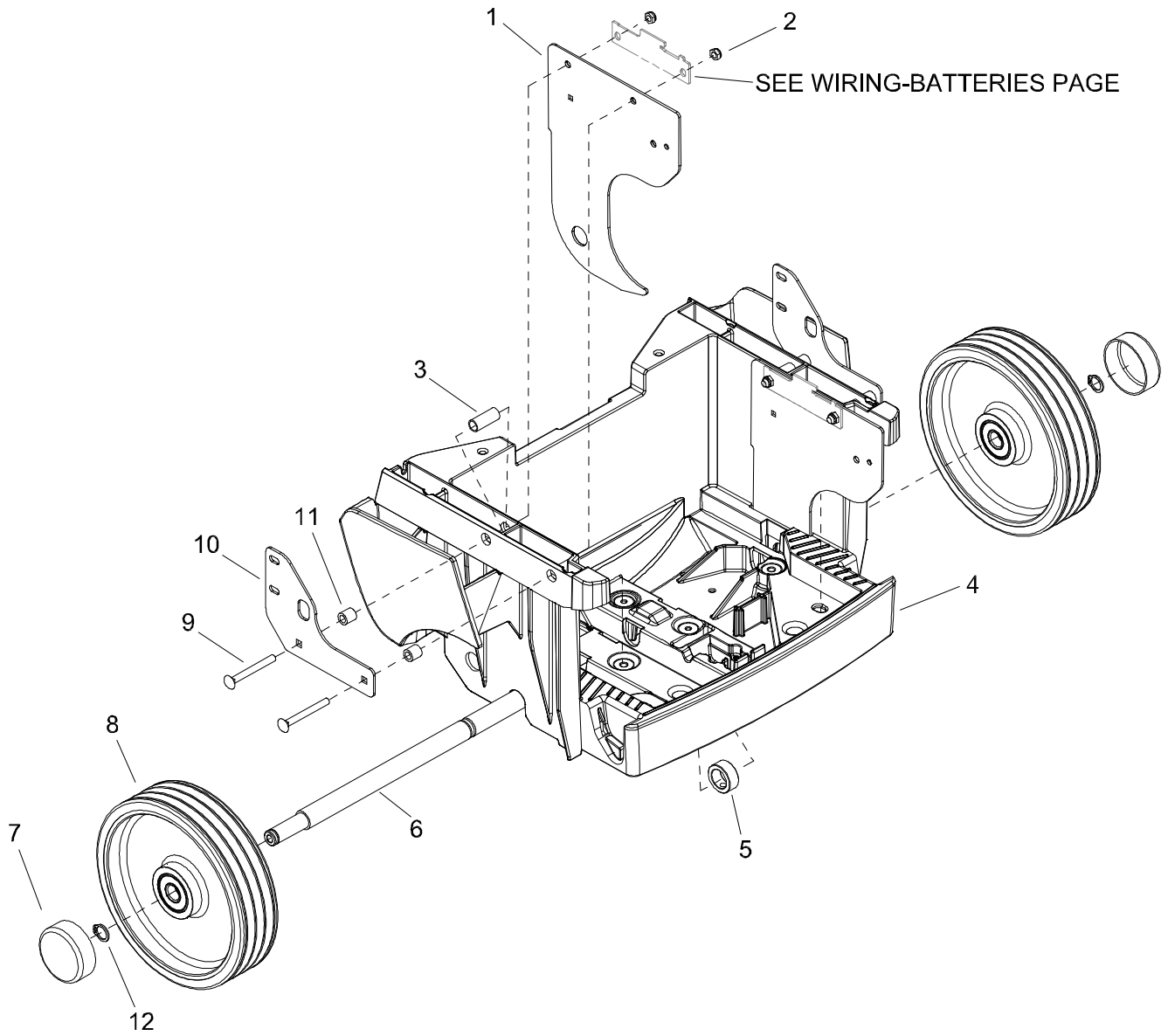
REF	PART NO.	QTY	DESCRIPTION	SERIAL NO. FROM	NOTES
1	86360820	1	ASSY, MAIN SUPPORT, CS26		
2	86360710	1	ASM, WHEEL GUARD		
3	86358190	2	GLIDE, BATTERY TRAY		
4	86357950	2	PAD, TIP		
5	86277410	6	SCR, 5/16-18 X 5/8 CARRIAGE SS		
6	86276890	6	SCREW 5/16-18X3/4 PTHMS SS		
7	86276490	2	SCREW 5/16-18 X 5/8 HHCS SS		
8	86010670	2	WASHER 5/16 FLAT SS		
9	86400810	6	SCREW, 1/4-20 X .75 PHFLHMS SS	(4)*	
10	86368240	6	NUT,5/16-18, FLGNYLOCK,SS		
11	86361210	2	SCR, 3/8-16 X 0.625 SHCS		
12	86005770	2	NUT 3/8-16 HEX NYLOCK		
13	86006640	2	SCREW 5/16-18 X 1/2 SHCS NP		
14	86270830	2	NUT 5/16-18 HEX NYLOCK SS		
15	86368730	1	FOAM, ADH BACKED 1-SIDE, 6X1.5 X1.5		

* SEE SERIAL NUMBER PAGE



REF	PART NO.	QTY	DESCRIPTION	SERIAL NO. FROM	NOTES
1	86359080	1	PLATFORM, OPERATOR		
2	86318010	1	PEDAL, HEEL		
3	86318000	1	PEDAL, ACCELERATOR		
4	86361170	1	PIN, DOWEL, .25D X 3.125", STEEL		
5	86279170	6	WASHER, #10 X 1.0 FLAT		
6	86172980	10	SCR, KA50X10,PT OHS,WN1412,PLTD		
7	86254970	3	SPRING, COMP 18MMOD X 83 X 2		
8	86327510	3	SCR, KA50 x 16, WN1412 A2 SS		
9	86198440	6	CLAMP, 1/4 PLASTIC CABLE		
10	86264930	2	CABLE TIE, 3.5" UL/CSA		
11	86361060	1	BRKT, POT. ACCEL PEDAL		
12	86311560	1	POTENTIOMETER ASM, LINEAR		
13	86005810	2	NUT 1/4-20 HEX NYLOCK SS		
14	86007010	2	SCREW 1/4-20 X 3 1/4 HHCS PLT		
15	86327910	4	SCR, KA50X25, PT OHS, WN1412, PLTD		
16	86007110	1	SWITCH, 25A SPST 125-250V SNAP		
17	86361160	1	PLATE, SWITCH COVER		
18	86264940	2	CABLE TIE, 11.38" UL/CSA		

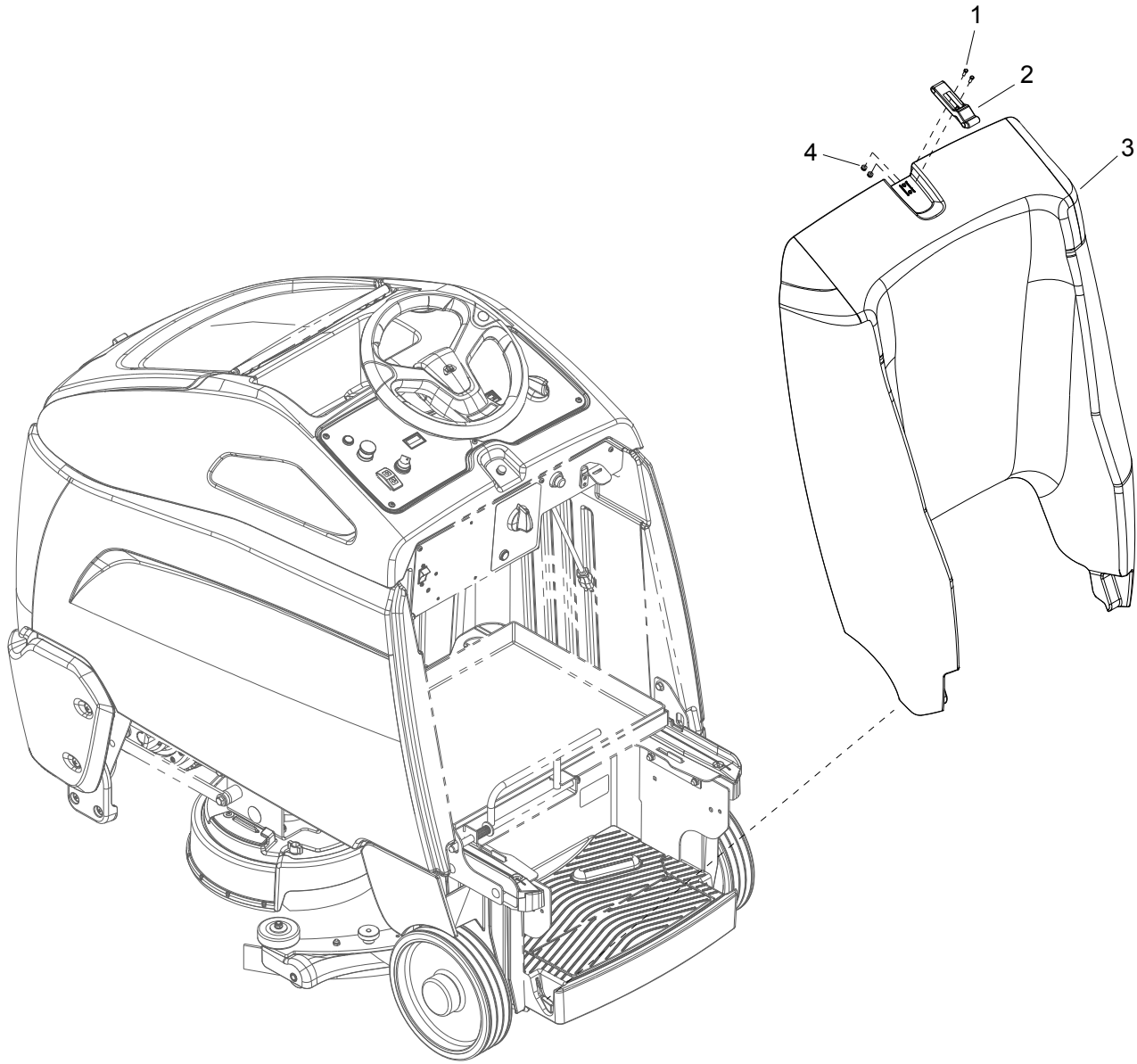
Platform Footbox & Rear Wheels



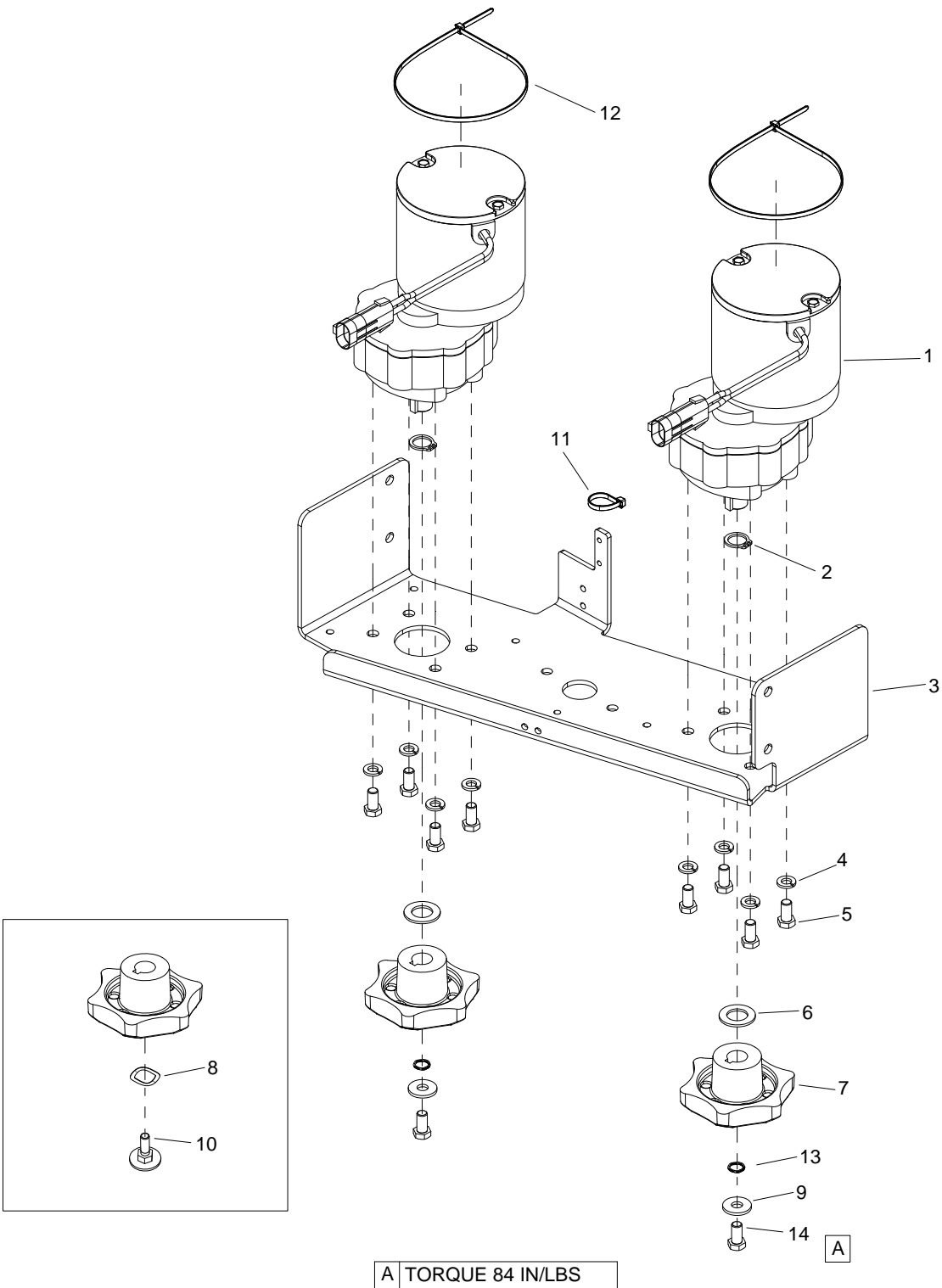
Platform Footbox & Rear Wheels

REF	PART NO.	QTY	DESCRIPTION	SERIAL NO. FROM	NOTES
1	86361130	2	PLATE, PLATFORM SUPPORT		
2	86271840	4	NUT 5/16-18 HEX NYLOCK THIN SS		
3	86361140	4	SPACER, 1.50 X .625OD X .065" WALL		
4	86358000	1	FOOTBOX, OPERATOR PLATFORM		
5	86361120	1	COLLAR, SHFT 1"ID X 1-5/8"OD X 5/8"		
6	86357990	1	AXLE, REAR		
7	86232130	2	CAP 2.75 ID X 1.0 L BLK VINYL		
8	86335520	2	WHEEL, 10 X 2.5, PLSTC HUB, W/BEARINGS		
9	86326490	4	SCR, 5/16+18 X 3.0 CARRIAGE, SS		
10	86361150	2	PLATE, TANK SUPPORT		
11	86224320	4	SPACER, .63 OD X .385ID X .64L		
12	86008710	2	RING 3/4" EXT SNAP H-D		

Rear Cover



REF	PART NO.	QTY	DESCRIPTION	SERIAL NO. FROM	NOTES
1	86277620	2	SCR, 8-32 X 1/2 HHCS SS		
2	86161800	1	LATCH & CONCEALED KEEPER		
3	86359070	1	PANEL, REAR COVER		
4	86272020	2	NUT, 8-32 HEX THIN NYLOCK SS		

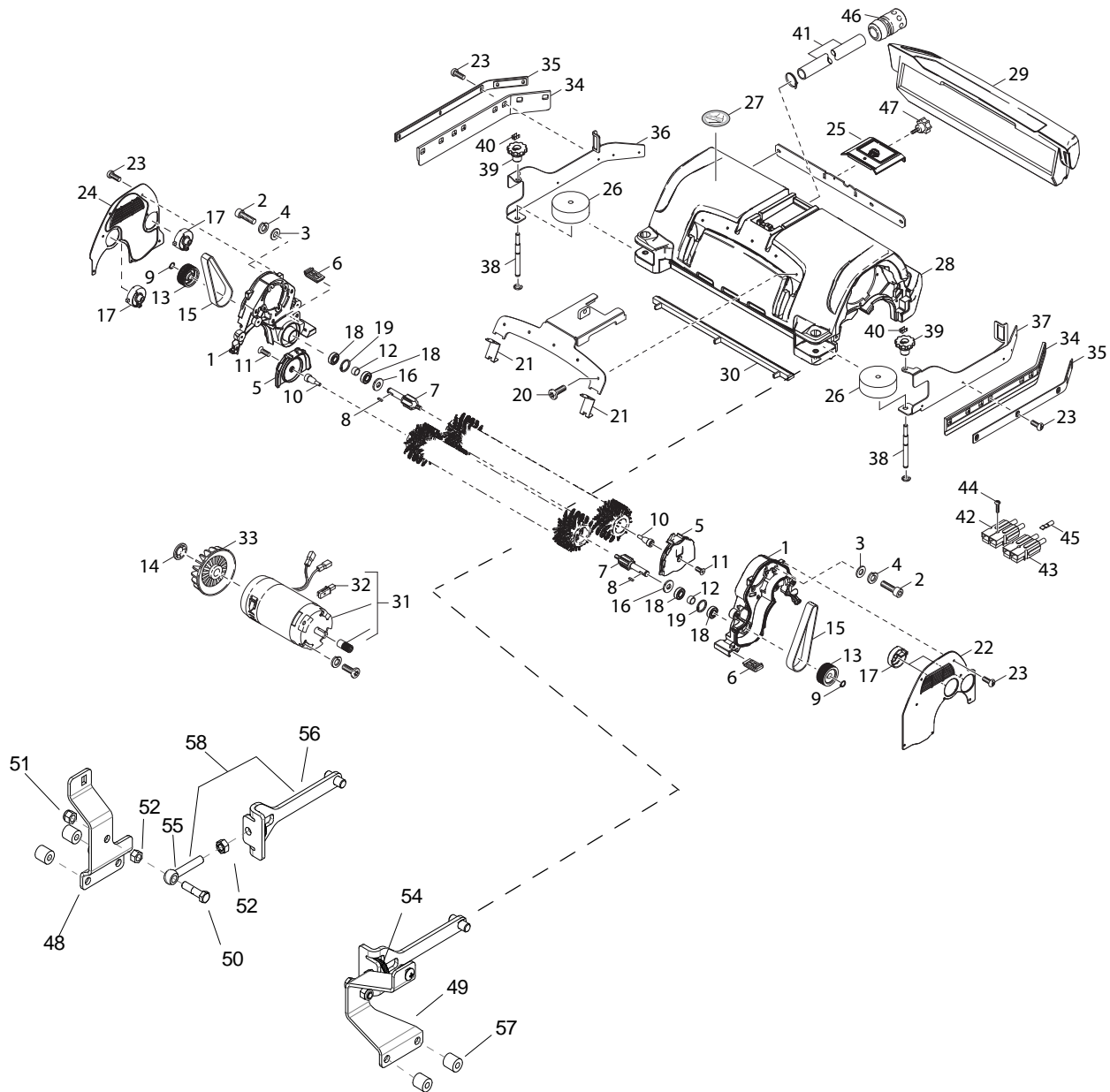


REF	PART NO.	QTY	DESCRIPTION	SERIAL NO. FROM	NOTES
1	86361810	2	MOTOR ASM, 36VDC 300RPM GEAR		
-	86368290	-	BRUSH SET, 86361810 MOTOR		
2	86008710	2	RING 3/4" EXT SNAP H-D		
3	86361580	1	PLATE, MOTOR MOUNT		
4	86010790	8	WASHER 3/8 SPLIT LOCK PLTD		
5	86276970	8	SCREW 3/8-16 X 3/4 HHCS		
6	86279530	2	WASHER .765IDX1.31ODX.09T SS		
7	86003420	2	DRIVER, BRUSH SD		
8	86392260	2	WASHER, WAVE, 3/4, STL	(2)*	
9	86279630	2	WASHER, 5/16 X 1.13 X .09 FLT		▲
10	86392270	2	ASM, SCR, TENSION, 5/16	(2)*	
11	86264940	1	CABLE TIE 11.38" UL/CSA		
12	86002830	2	CABLE TIE .375 X 24.7		
13	86397820	2	SPRING, 25 X 30 X 4.19mm WV		▲
14	86276780	2	SCREW, 5/16-18 X .75 HHCS SS		▲

* SEE SERIAL NUMBER PAGE

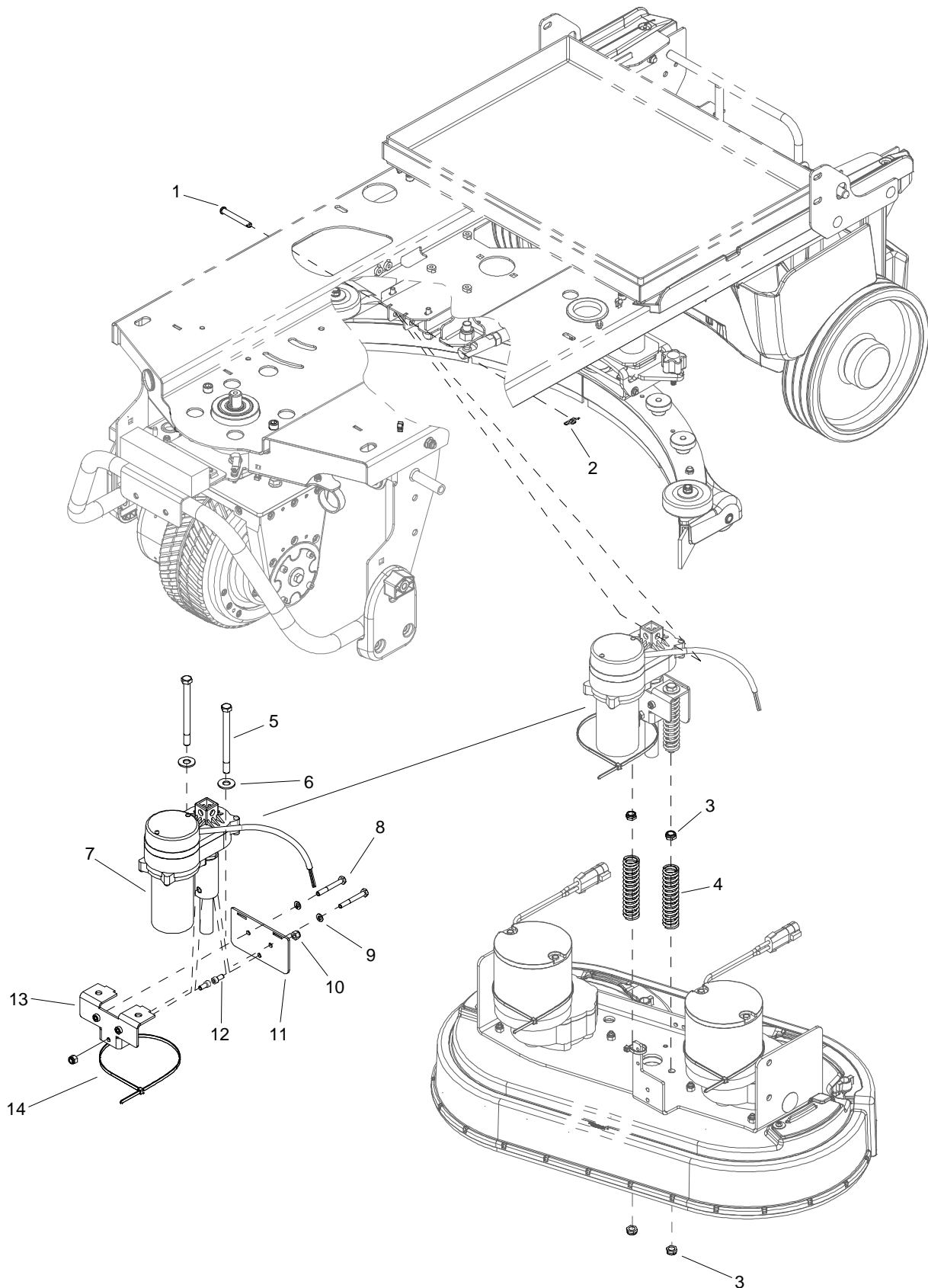
▲ ORDER THESE PARTS IF YOU REPLACE MOTOR ASSEMBLY 86361810

Scrub Deck - Cylindrical



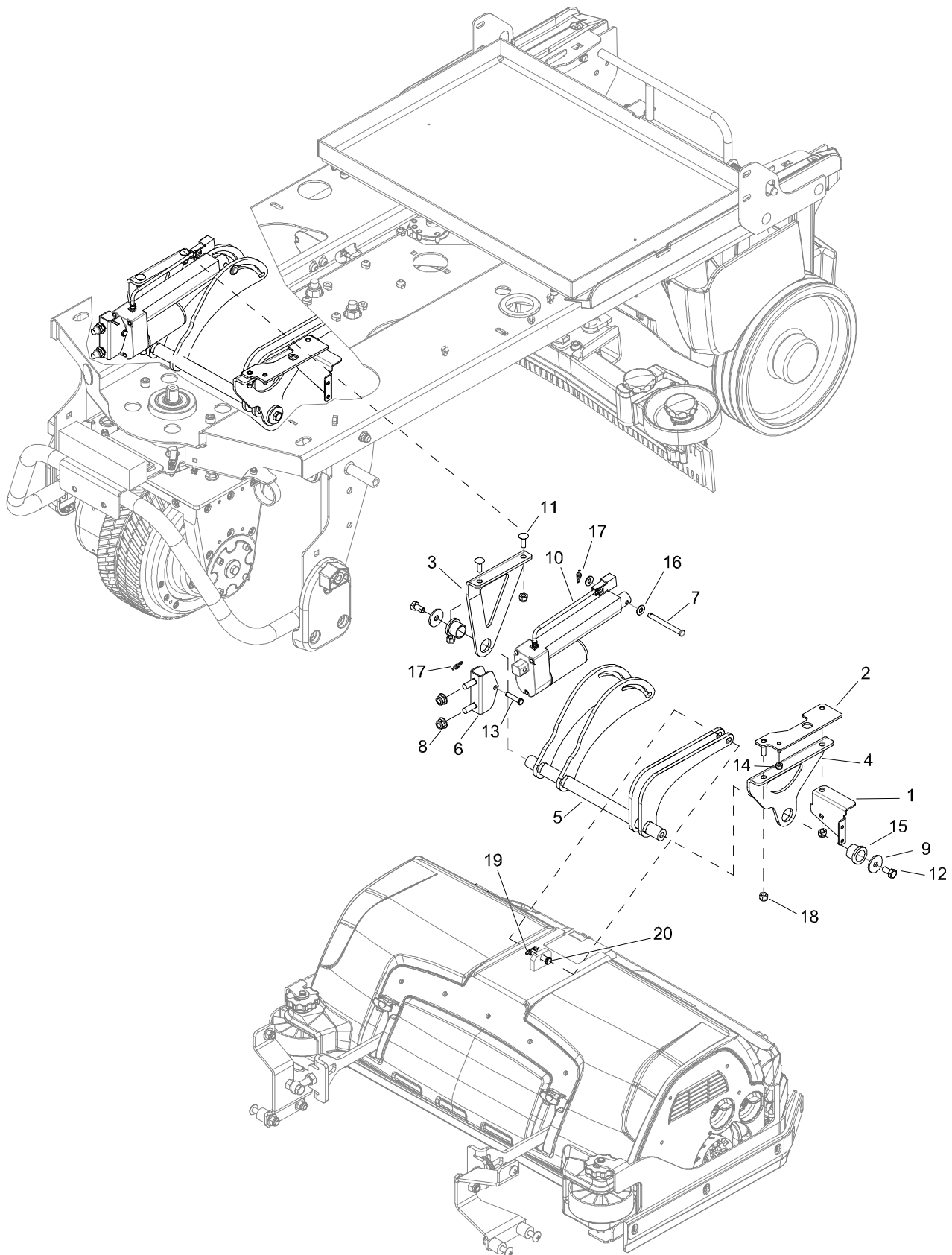
REF	PART NO.	QTY	DESCRIPTION	SERIAL NO. FROM	NOTES:
1	50448660	2	RETAINER PLATE TRANSMISSION		
2	73060310	10	SCREW M 6X16-A2-70 DIN 7984		
3	73120260	10	WASHER 6-A2 ISO 7090		
4	73130030	10	SPRING WASHER B 6FST-A3E DIN 127		
5	50448580	2	HOLDER-UP		
6	50560100	2	ROCKER BR-VS		
7	51005530	2	DRIVESHAFT BR 65/90		
8	73180020	2	PARALLEL KEY 5X5X16-C45R DIN 6885-1		
9	73430150	2	LOCKING RING 15X1-FST-RF DIN 471		
10	51163400	2	BOLT HOLDER-UP		
11	73056370	2	COUNTERSUNK SCREW M8X16-A2-70 ISO 10642		
12	51163540	2	BRUSH TRANSMISSION BR		
13	56254830	2	BELT PULLEY 57MM		
14	63431490	2	QUICK-FASTENER		
15	63484420	2	RIBBED V-BELT		
16	63631580	2	JOINT RING NILOSRING		
17	50332060	4	LOCKING PART		
18	74011150	4	BALL BEARING 6002-2RS-WAELZLAGST DIN 62		
19	73432310	2	LOCKING RING 32X1,2-ST-PH DIN 472		
20	73030470	5	SCREW M6X16-ST-R3R (IN6RD)		
21	50333940	2	LOCKING PART		
22	50332410	1	COVERING CAP LEFT		
23	73030370	28	SCREW M5X10-ST-P2R (IN6RD)		
24	50332420	1	COVERING CAP RIGHT		
25	50334030	1	COVER PLATE		
26	55150960	2	ROLLER		
27	53830970	1	DECAL		
28	50615800	1	BRUSH HOUSING BR 65		
29	50707530	1	TANK REFUSE 65		
30	51902610	1	STRIP WATER DISTRIBUTOR		
31	46239200	2	MOTOR COMPLETE 24V/600W		
32	66102160	1	CARBON BRUSHES		
33	66130250	2	BLOWER WHEEL		
34	53948230	2	SPLASH GUARD		
35	50448670	2	RETAINER STRIP SPLASH GUARD		
36	50094010	1	BRACKET RIGHT SCRAPER LIP		
37	50094020	1	BRACKET LEFT SCRAPER LIP		
38	51163390	2	THREADED BOLT		
39	50332400	2	HAND WHEEL		
40	63304070	2	SPRING CLIP		
41	63908920	1	SPIRAL HOSE		
42	66463290	2	RED PLUG		
43	66463300	2	BLUE PLUG		
44	73031070	3	SCREW 5X16-10.9-P2R (K-IN6RD)		
45	66469790	4	SWITCH CONTACT		
46	63884820	1	HOSE COUPLING		
47	63211960	1	STAR GRIP M5X10		
48	86370230	1	BRKT, DECK MOUNT, RH		
49	86370220	1	BRKT, DECK MOUNT, LH		
50	86274660	2	SCREW, 3/8-16 X 1.5 HHCS STL GR5 ZNPLT		
51	86005770	2	NUT, 3/8-16 HEX NYLOCK STL GR2 ZNPLT		
52	86005730	2	NUT, 3/8-16 HEX STL GRA ZNPLT		
53	73110060	2	HEXAGON NUT M10 -8-A3E ISO 4032		
54	73100410	2	KNURLED NUT M10- St-E2E DIN 467		
55	64014750	2	EYE SCREW LB-5.6 M10x70	(3)*	
56	44812950	2	TIE ROD	(3)*	
57	86370120	4	SPACER, .319DX.75DX.75L,AL		
58	86394860	-	ADD-ON KIT, TENSION ROD	(3)*	
-	27630040	-	BRUSH HEAD R 65 CM W/SIDE		DECK, COMPLETE

Scrub Deck Lift - Disk



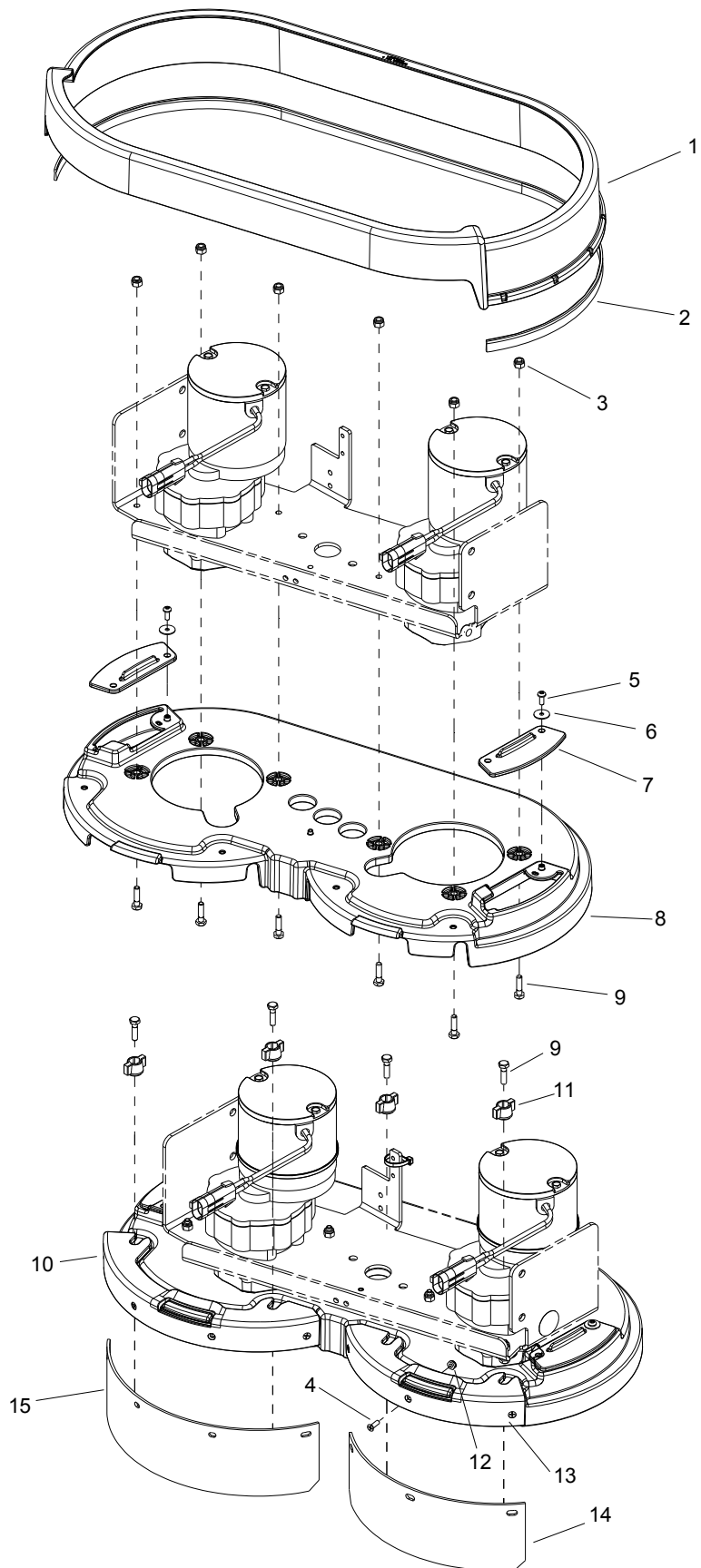
REF	PART NO.	QTY	DESCRIPTION	SERIAL NO. FROM	NOTES
1	86365440	1	PIN, CLEVIS 5/16 X 2.25 PL		
2	86008660	1	COTTER 5/16" RING		
3	86005630	4	NUT 3/8-16 HEX NYLOCK THIN SS		
4	86255450	2	SPRING .96D X 4.0L X.135W		
5	86275510	2	SCREW 3/8-16 X 4.5" HHCS GR5		
6	86010770	2	WASHER 7/16ID X1DX.08 FLT SS		
7	86011950	1	ACTUATOR, 36VDC 3.5 STRK		
8	86273850	2	SCREW 1/4-20 X 2 HHCS SS		
9	86010780	2	WASHER 1/4 SPLIT LOCK PLTD		
10	86005810	2	NUT 1/4-20 HEX NYLOCK SS		
11	86361710	1	PLATE, ACT SPG, DECK, CS26		
12	86274110	2	SCR, 1/4-20 X 1/2 SHCS		
13	86361720	1	BRKT, ACT SPGS, DECK, CS26		
14	86002830	1	CABLE TIE .375 X 24.7		

Scrub Deck Lift - Cylindrical



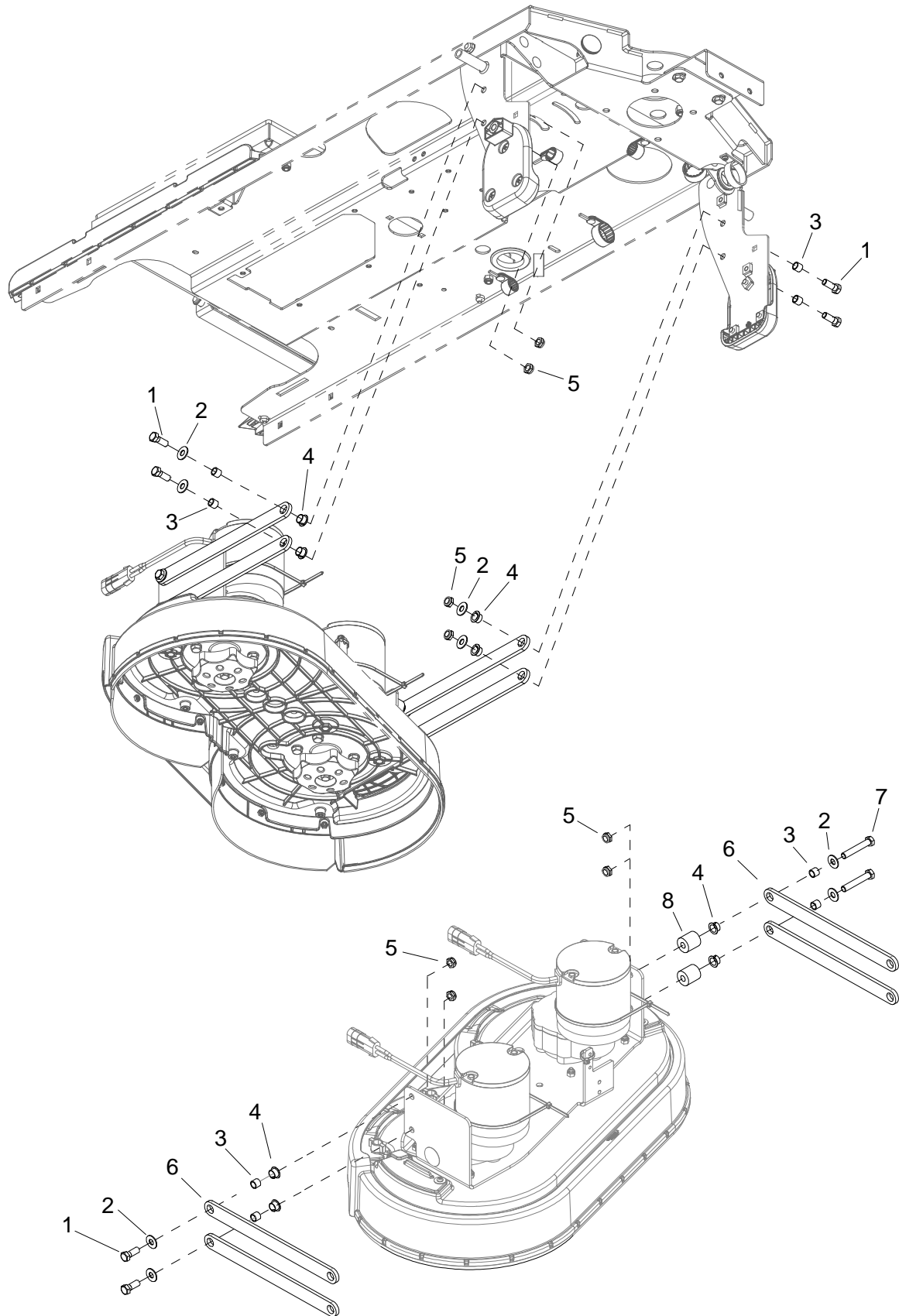
REF	PART NO.	QTY	DESCRIPTION	SERIAL NO. FROM	NOTES
1	86370800	1	BRKT, SOLENOID CS26 SP		
2	86370720	1	PLATE, CYL DECK ATTACHMENT		
3	86370280	1	BRKT, LIFT MOUNT, RH		
4	86370270	1	BRKT, LIFT MOUNT, LH		
5	86370260	1	ASM, DECK LIFT		
6	86270250	1	BRKT, ACTUATOR MOUNT		
7	86370240	1	PIN, CLEVIS 1/4 X 2.75 STL ZNPLT		
8	86368240	2	NUT, 5/16-18 FLGNLOCK, SS		
9	86367250	2	WASHER, .344 X 1.13 X .09 SS		
10	86320880	1	ACTUATOR, 36 VDC, 3.0" STK, 8.74 LNG		
11	86276950	2	SCR, 1/4-20 X 3.4 CARRIAGE SS		
12	86276490	2	SCR, 5/16-18 X 5.8 HHCS SS		
13	86272620	1	PIN, CLEVIS 1/4 X 1.125 STL ZNPLT		
14	86270990	1	NUT, 10-32 HEX NYLOCK SS		
15	86228790	2	BEARING, FLG. .88 OD X .75 ID X .75		
16	86010630	2	WASHER, 1/4 X 5/8 FLAT SS		
17	86008650	2	COTTER, 1/4 RING		
18	86360310	4	NUT, 1/4-20 FLG SS NYL		
19	86008660	1	COTTER, 5/16 RING		
20	86006200	1	PIN, CLEVIS 5/16 X 1.5 STL ZNPLT		

Scrub Deck Skirts



REF	PART NO.	QTY	DESCRIPTION	SERIAL NO. FROM	NOTES
1	86358580	1	SKIRT, SCRUB DECK, 26" IN		
2	86361590	1	FLEX STRIP BRUSH, 26" SKIRT		
3	86005810	6	NUT 1/4-20 HEX NYLOCK SS		
4	86364880	7	SCREW, 10-32 X 5/8, PH, CSKH, SS		
5	86006870	2	SCREW #10B X 1/2 PHSM BLK		
6	86335450	2	WASHER, #10 X.75ODX.040, NYL, BLK		
7	86358570	2	ACCESS COVER, DECK		
8	86358560	1	DECK, SCRUB, 26" IN		
9	86273810	10	SCREW, 1/4-20 X 1 HHCS SS		
10	86358620	1	MOUNT, AQUAMIZER, DECK, LH		
11	86242130	4	KNOB, HEX PRESS-LOC WING		
12	86270990	7	NUT 10-32 HEX NYLOCK SS		
13	86358630	1	MOUNT, AQUAMIZER, DECK, RH		
14	86361670	1	BLADE, AQUAMIZER, RH		
15	86361680	1	BLADE, AQUAMIZER, LH		

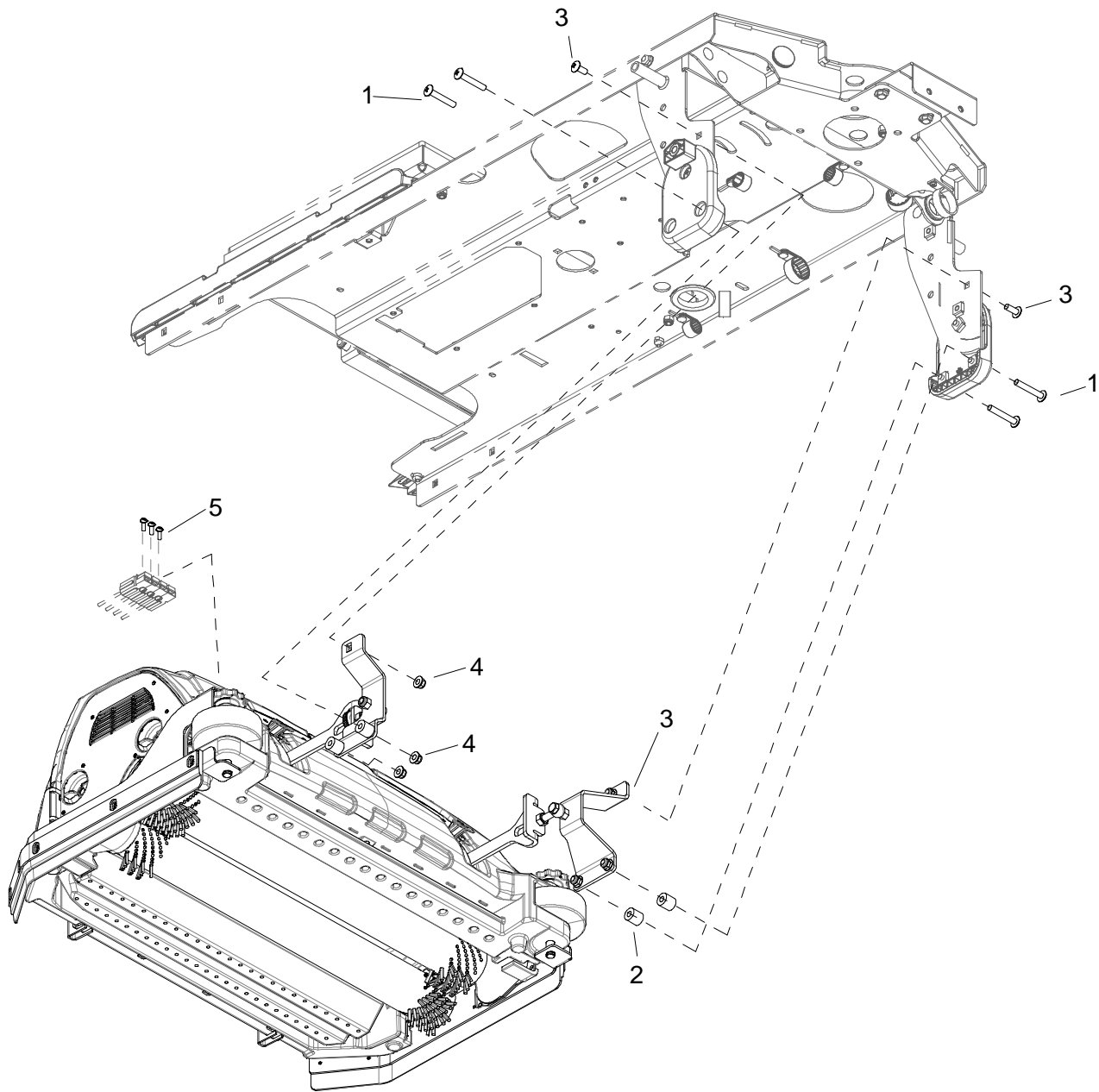
Scrub Deck Mounting - Disk



Scrub Deck Mounting - Disk

REF	PART NO.	QTY	DESCRIPTION	SERIAL NO. FROM	NOTES
1	86276920	6	SCREW 3/8-16X1		
2	86278910	8	WASHER,3/8IDX7/8ODSS		
3	86008460	8	SPACER, .500OD X .391ID X .400		
4	86009050	8	BEARING 1/2 ID X 11/32L NYLON		
5	86005630	8	NUT 3/8-16 HEX NYLOCK THIN SS		
6	86361570	4	LINKAGE, DECK, 1.00 X .25THK		
7	86276470	2	SCREW, 3/8-16 X 2.25 HHCS SS		
8	86224380	2	SPACER, 1 OD X .391 ID X 1.063		

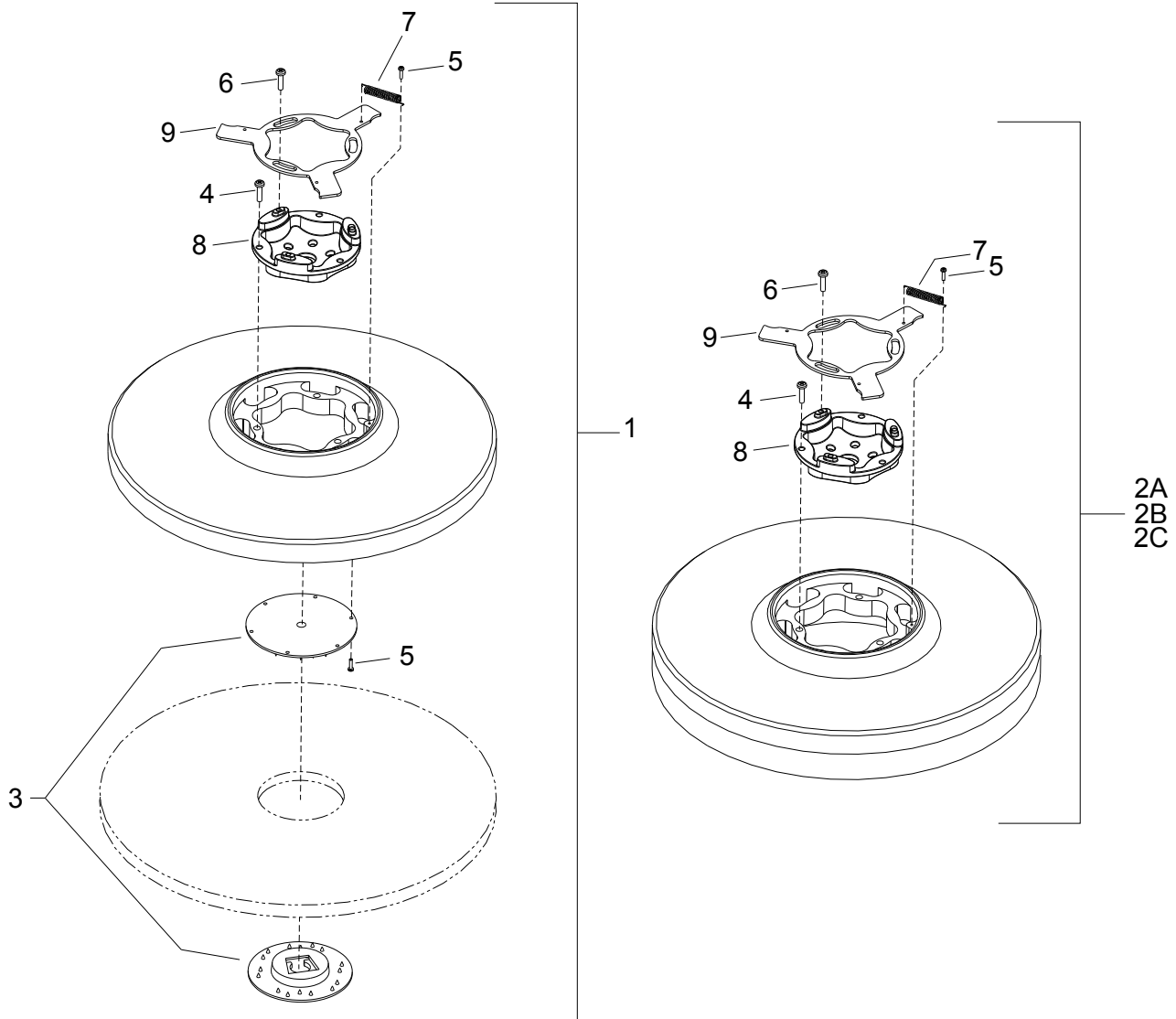
Scrub Deck Mounting - Cylindrical



Scrub Deck Mounting - Cylindrical

REF	PART NO.	QTY	DESCRIPTION	SERIAL NO. FROM	NOTES
1	86370830	4	SCREW, 5/16-18 X 2.0, PNH, MS, SS		
2	86370120	4	SPACER, .32 ID X .75D X .75L, AL		
3	86276890	2	SCREW, 5/16-18 X .75 PHTRHMS SS		
4	86368240	6	NUT, 5/16-18, FLGNYLOCK,SS		
5	73031070	3	SCREW, 5x16 -10.9-P2R (K-In6Rd)		

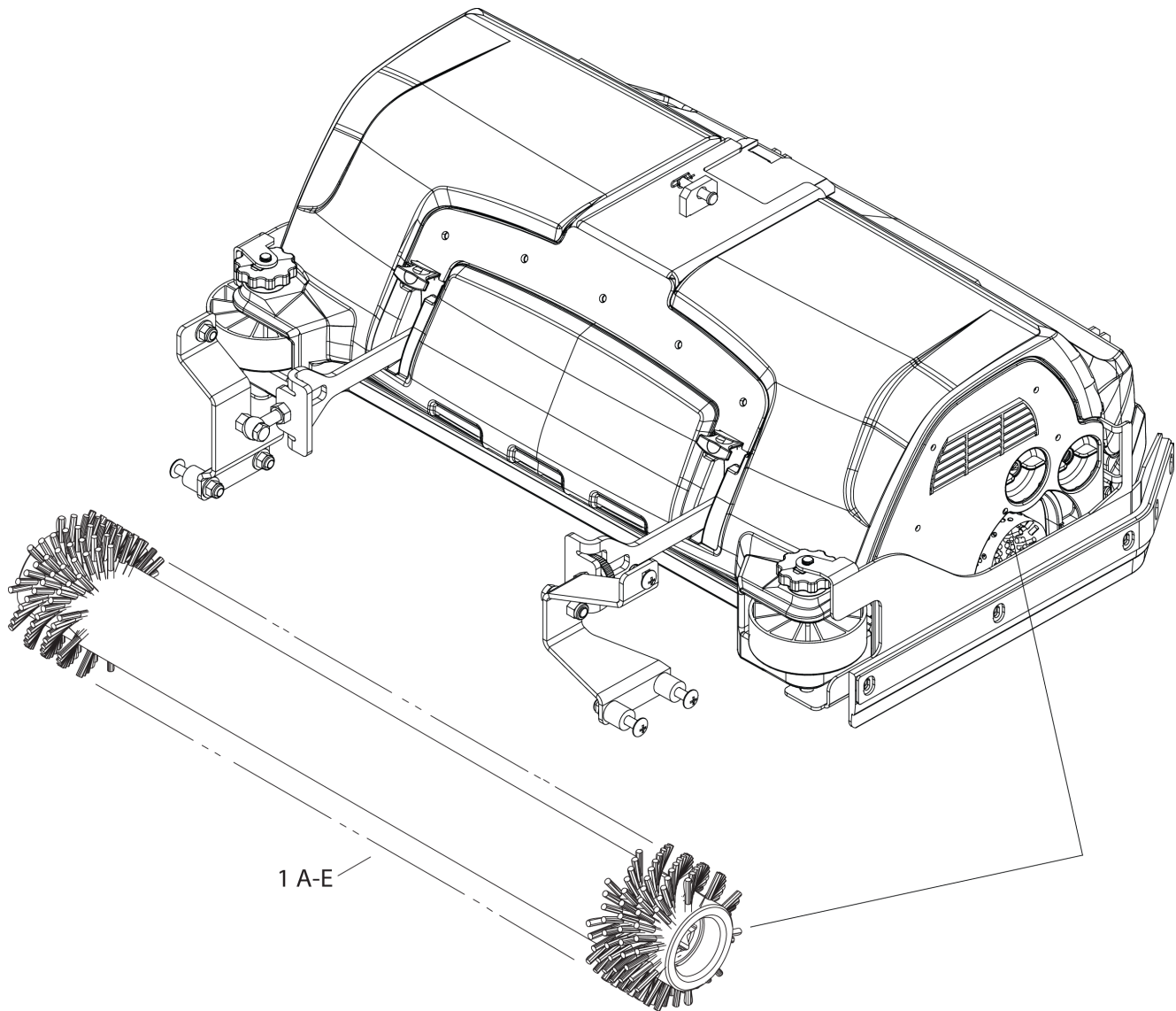
Scrub Brush/Pads Driver - Disk



Scrub Brush/Pads Driver - Disk

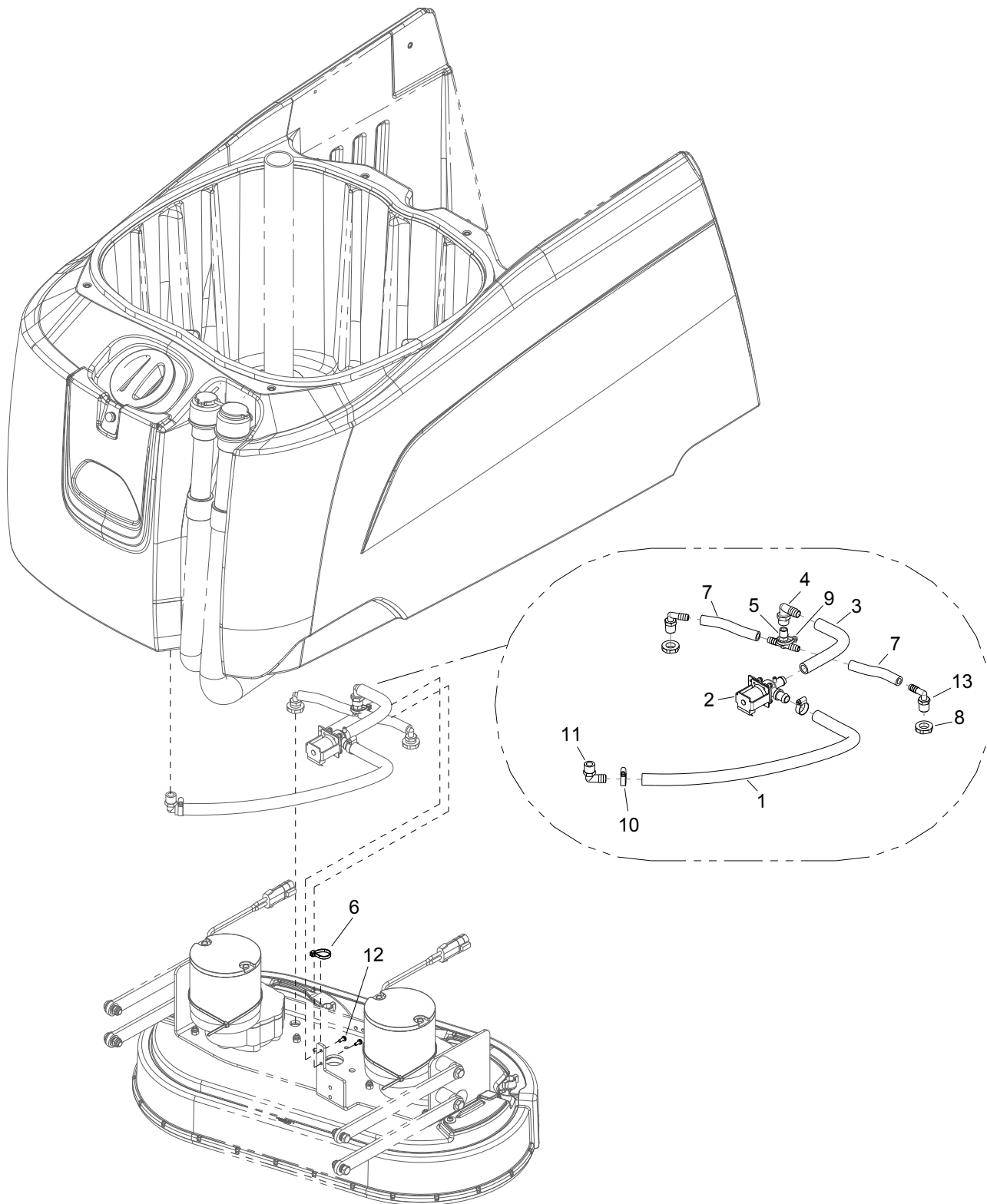
REF	PART NO.	QTY	DESCRIPTION	SERIAL NO. FROM	NOTES
1	86000210	2	PAD DRIVER, 13" SD		
2A	86000220	2	BRUSH, 13" POLY SD		
2B	86000230	2	BRUSH, 13" NYLON SD		
2C	86000240	2	BRUSH 13" MILD GRIT SD		
3	86005070	1	LOCK PAD CENTER SNAP,TWO STEP		
4	86276590	3	SCR, #12X1 PPHSMS SS		
5	86276580	4	SCR, 8-32 X 3/4 PTHMS SS		
6	86276600	3	SCR, #10 X 3/4 PTHSMS SS		
7	86007910	1	SPRING EXT .31D X 2.0L X .03W		
8	86007280	1	SOCKET, DRIVE BRUSH		
9	86005940	1	PLATE BRUSH RELEASE		

Scrub Brush/Pads Driver - Cylindrical



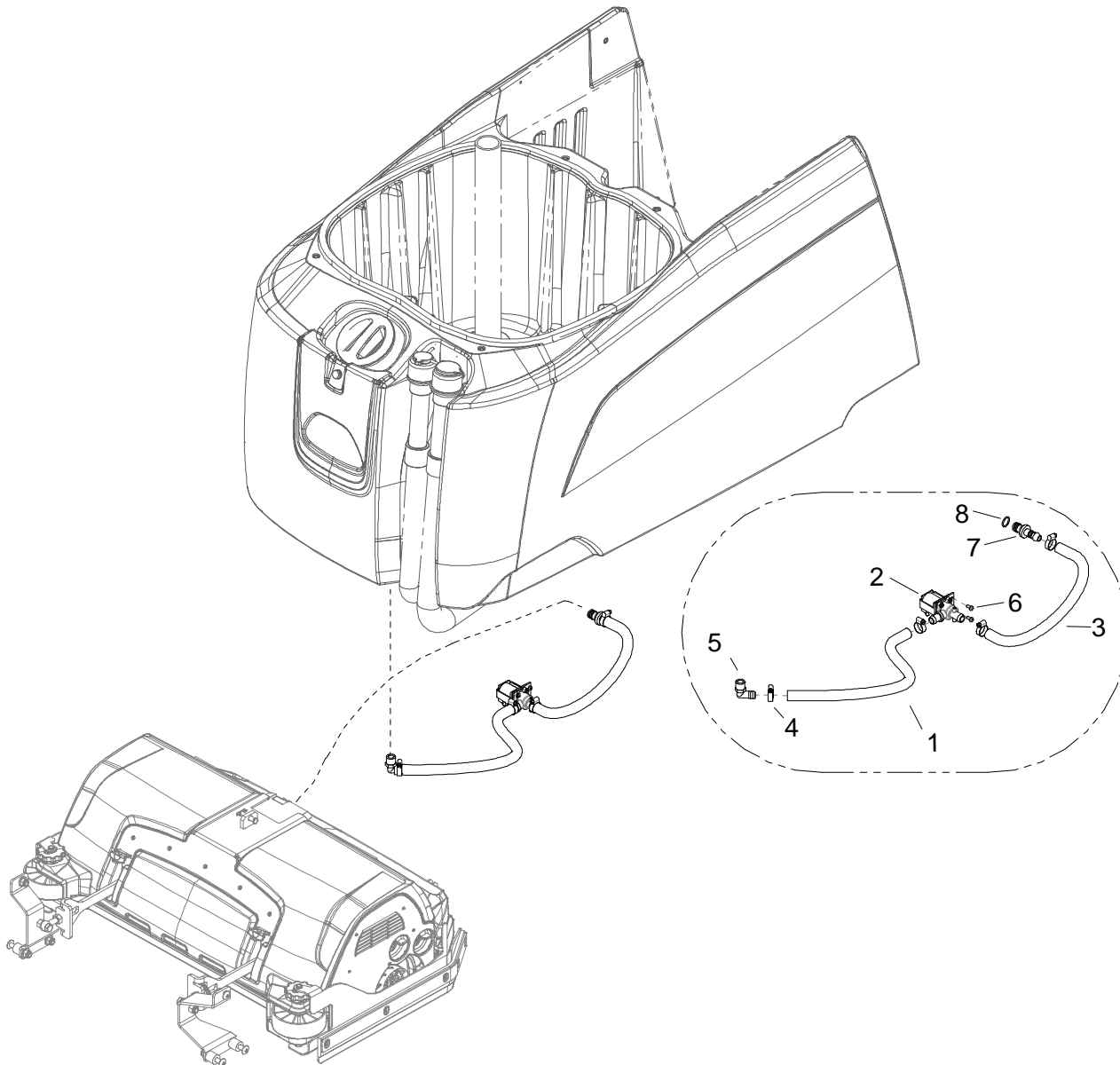
Scrub Brush/Pads Driver - Cylindrical

REF	PART NO.	PRV NO.	QTY	DESCRIPTION	SERIAL NO. FROM	NOTES:
1A	69069350	-	-	ROLLER BRUSH RED-BR 65		
1B	69069810	-	-	ROLLER BRUSH WHITE-BR 65		
1C	69069820	-	-	ROLLER BRUSH ORANGE-BR 65		
1D	69069830	-	-	ROLLER BRUSH GREEN-BR 65		
1E	69069840	-	-	ROLLER BRUSH BLACK-BR 65		



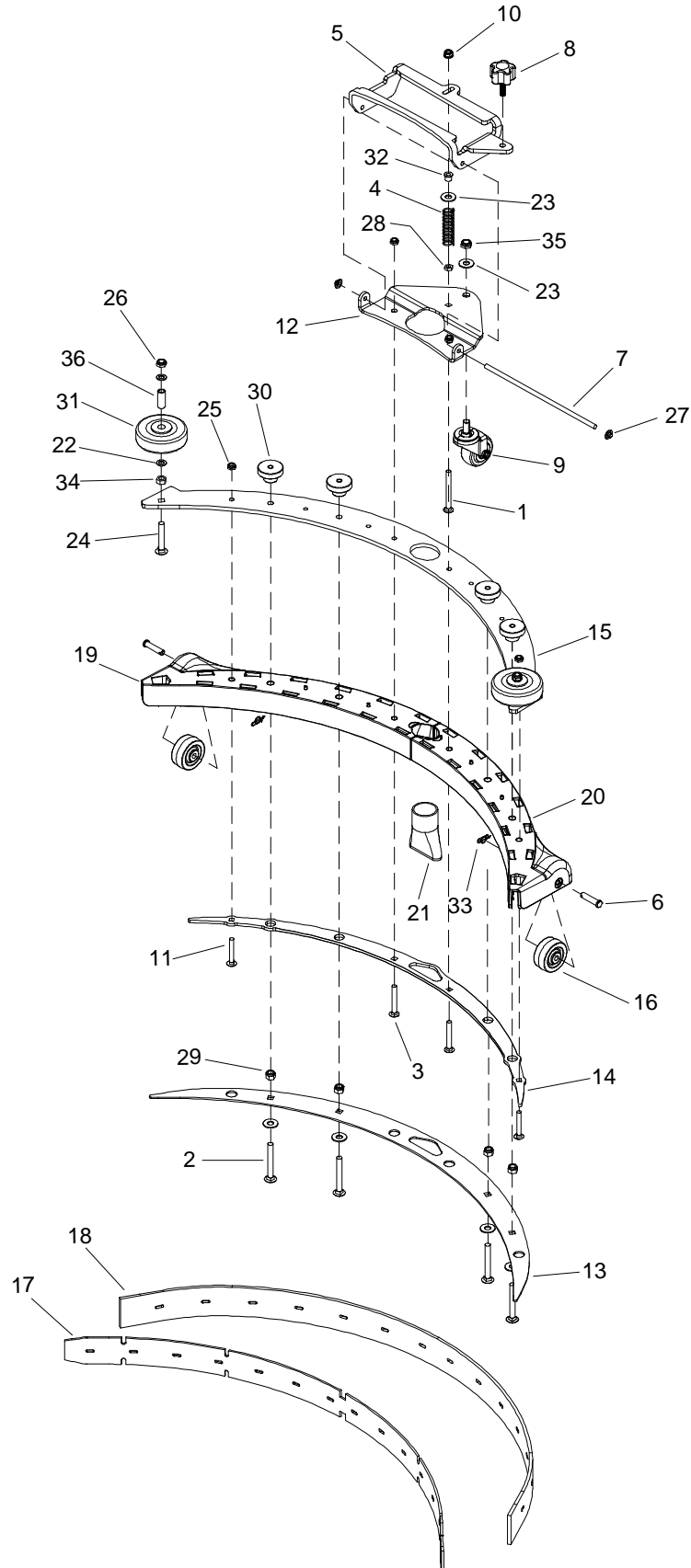
REF	PART NO.	QTY	DESCRIPTION	SERIAL NO. FROM	NOTES
1	86280910	1	HOSE, 1/2ID WIREBOUND X 23"		
2	86366100	1	VALVE, 36V SOL, 1/2 BARB		
3	86363970	1	HOSE, 1/2ID WIREBOUND X 8.25"		
4	86362980	1	ELBOW, 1/4FPT X 1/2BARB 90 DEG NYL		
5	86362970	1	TEE, 1/4 MPT X 3/8 BARBS, NYL		
6	86264940	1	CABLE TIE 11.38" UL/CSA		
7	86281330	2	HOSE, 3/8ID WIREBOUND X 4"		
8	86271830	2	NUT, 3/8 NPT PLASTIC		
9	86264940	1	CABLE TIE, 11.38" UL/CSA		
10	86233150	2	CLAMP, 3/8 WORM GEAR		
11	86197940	1	HOSEBARB, 3/8 MPT X 1/2 HOSE 90		
12	86006520	2	SCR, 8-32 X 3/8 PPHMS SS		
13	86001550	2	HOSEBARB, 3/8MPT X 3/8HOSE 90		

Solution System - Cylindrical



REF	PART NO.	QTY	DESCRIPTION	SERIAL NO. FROM	NOTES
1	86368310	1	HOSE, 1/2ID WIREBOUND X 17.25"		
2	86366100	1	VALVE, 36V SOL, 1/2 BARB		
3	86302770	1	HOSE, 1/2ID WIREBOUND X 14"		
4	86233150	4	CLAMP, 3/8 MPT X 1/2 HOSE 90		
5	86197940	1	HOSEBARB, 3/8 MPT X 1/2 HOSE 90		
6	86006520	2	SCR, 8-32 X 3/8 PPHMS SS		
7	54433750	1	HOSE STEM		
8	63621700	1	O-RING SEAL 11,3 X 2,4-NBR 70		

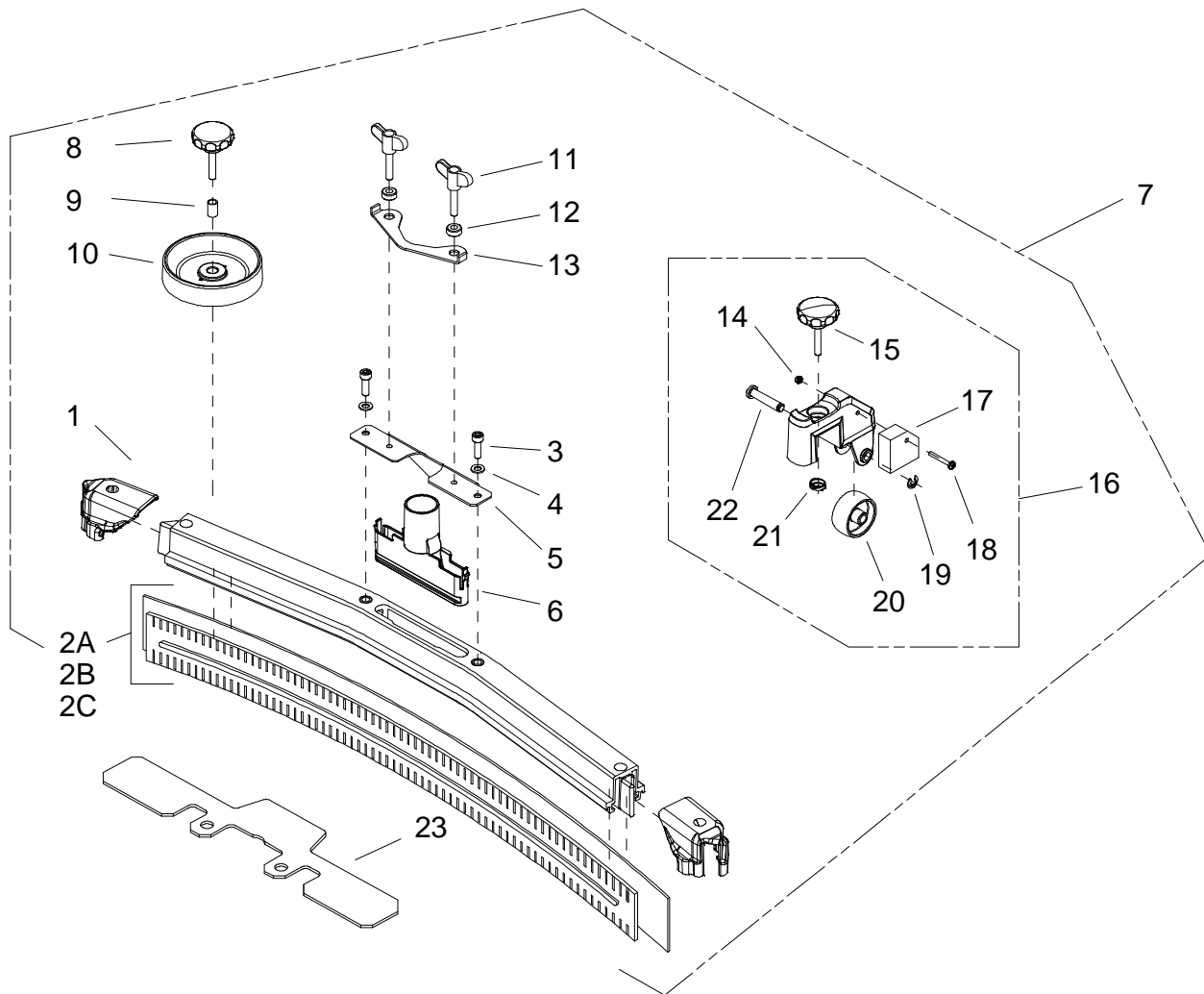
Squeegee - Disk



REF	PART NO.	QTY	DESCRIPTION	SERIAL NO. FROM	NOTES
1	86367800	1	SCR, 1/4-20 X 3.00 CARRIAGE SS		
2	86364090	4	SCR, 5/16-18 X 2.50 CARRIAGE, SS		
3	86364080	2	SCR, 1/4-20 X 2.00 CARRIAGE, SS		
4	86363100	1	SPRING, 2.5" X .66 OD COMP		
5	86363070	1	PLATE, SLIDE, SQUEEGEE BASE		
6	86006200	2	PIN, CLEVIS, 5/16 X 1.5 STL ZNPLT		
7	86362420	1	ROD, 1/4" OD 9.13 LG, SS		
8	86362400	1	HANDLE, 1/4-20 X 1" LG STUD		
9	86362390	1	CASTER, SWIVEL, 2" WHEEL		
10	86360310	1	NUT, 1/4-20 FLG SS NYL		
11	86359830	2	SCR, 1/4-20 X 1.75 CARRIAGE SS		
12	86359630	1	PLATE, BASE, SQUEEGEE		
13	86359620	1	PLATE, SQUEEGEE, BOTTOM HDLR		
14	86359610	1	PLATE, SQUEEGEE, BOTTOM		
15	86359600	1	PLATE, SQUEEGEE, TOP		
16	86359590	2	WHEEL, 2.00DX.31IDX.875 GRY		
17	86359580	1	BLADE, SQUEEGEE, FRONT		
-	86391560	1	BLADE, SQG, FRONT, 36 X URE		OPTIONAL PART
18	86359570	1	BLADE, SQUEEGEE, REAR		
-	86391570	1	BLADE, SQG, REAR, 40 X URE		OPTIONAL PART
19	86358610	1	SQUEEGEE FRAME, RH		
20	86358600	1	SQUEEGEE FRAME, LH		
21	86358590	1	TUBE, PASS THROUGH, SQUEEGEE		
22	86292500	4	WASHER, .324ID X .567OD X .057, SS		
23	86278910	6	WASHER, 3/8 X 7/8 FLAT SS	(1)*	
24	86276710	2	SCR, 5/16-18 X 2.0 CARRIAGE		
25	86271870	4	NUT, 1/4-20 HEX NYLOCK THIN SS		
26	86271840	2	NUT, 5/16-18 HEX NYLOCK THN SS		
27	86271240	2	NUT, CAP, PUSH, .25"		
28	86270930	1	NUT, 1/4-20 HEX JAM SS		
29	86270830	4	NUT, 5/16-18 HEX NYLOCK SS		
30	86219690	4	KNOB, 1.5 OD X 5/16-18		
31	86011020	2	WHEEL, 3" DIA. CUSHION RUBBER		
32	86226370	1	BUSH, BRZ FLG .25 X .38 X .38	(1)*	
33	86008660	2	COTTER, 5/16 RING		
34	86005650	2	NUT, 5/16-18 HEX		
35	86005630	1	NUT, 3/8-16 HEX NYLOCK THIN S		
36	86001350	2	BUSHING, SPANNER .435 X 1.10		
37	86372200	-	SQUEEGEE ASM, CS26		COMPLETE

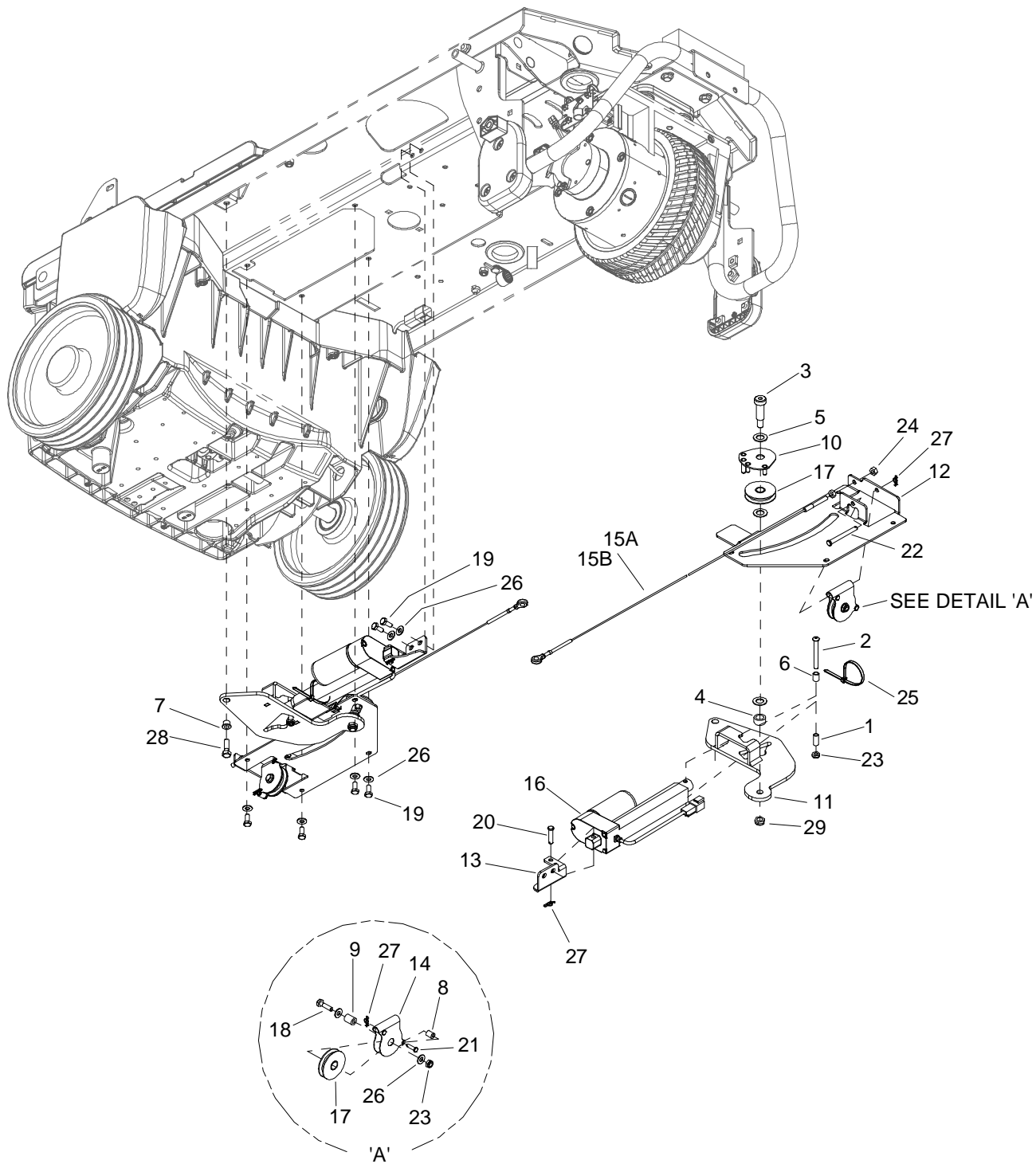
* SEE SERIAL NUMBERS PAGE

Squeegee - Cylindrical



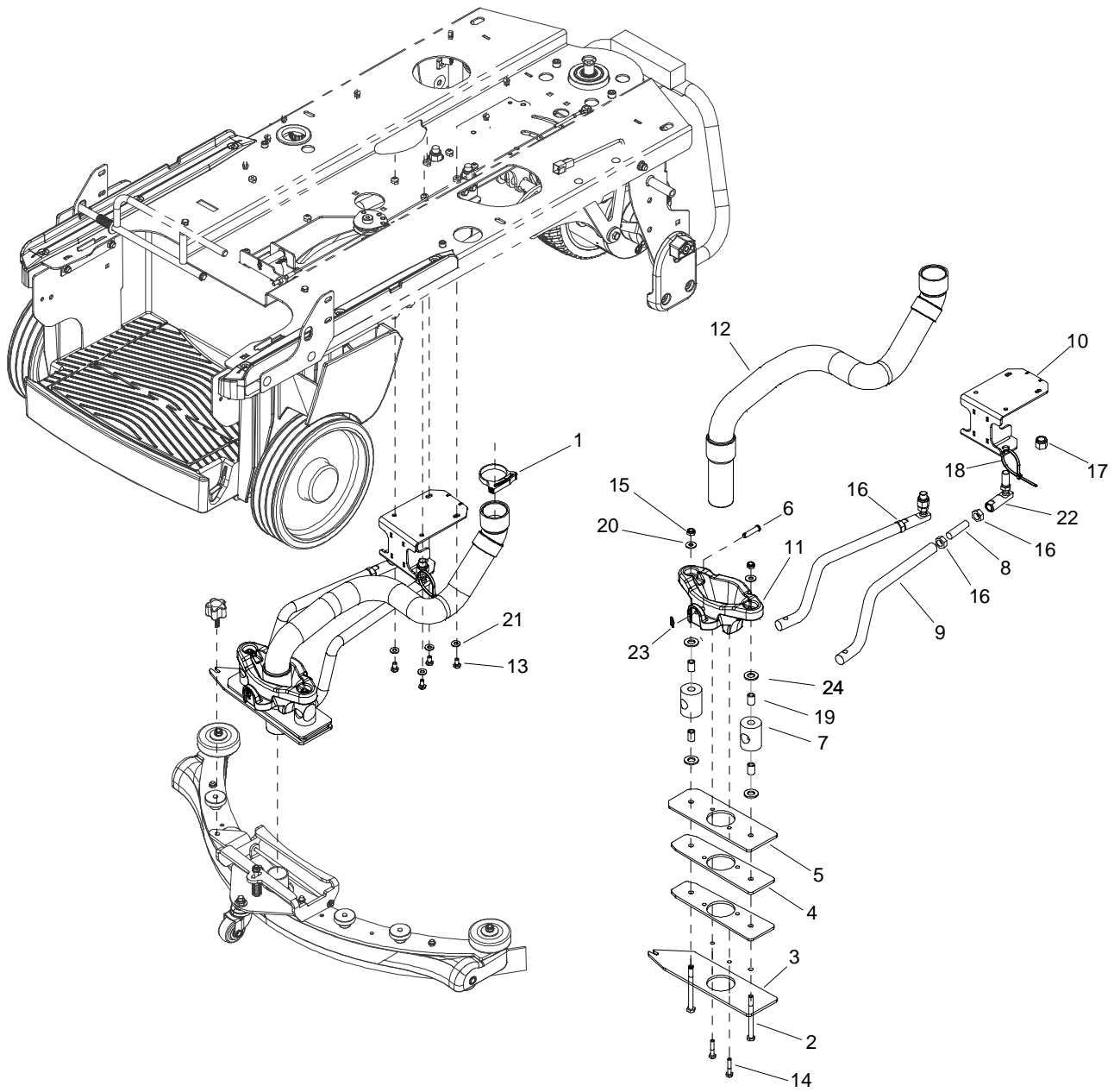
REF	PART NO.	PRV NO.	QTY	DESCRIPTION	SERIAL NO. FROM	NOTES
1	28852940	-	1	END PIECE LEFT / RIGHT SPARE PARTS SET		
2A	62732070	-	1	RUBBER LIP SET OIL RESISTANT BR-BD530,55		
2B	62732900	-	1	RUBBER LIP SET STANDARD		
2C	62732290	-	1	RUBBER LIP SET ANTI STRIPE OIL RESISTANT		
3	73061420	-	2	CYLINDER HEAD SCREW M 8X25-A4-70 ISO 47		
4	73120170	-	2	WASHER 8-A2 ISO 7089		
5	51005590	-	1	SUCTION BAR SUPPORT PLATE		
6	50336010	-	1	SUCTION NIPPLE		
7	47774110	-	1	SUCTION BAR CURVED 850MM		Complete
8	63212390	-	2	STAR GRIP VA Ø50X43		
9	50942310	-	2	SLEEVE SUCTION BAR IN VA		
10	55153460	-	2	DEFLECTOR ROLL SUCTION BAR D120		
11	53052960	-	2	WING SCREW M8X40 VA		
12	51128100	-	2	SLEEVE VA		
13	50072170	-	1	PLATE		
14	73114310	-	2	HEXAGON NUT M 5-1.4305 ISO 10511		
15	63212400	-	2	STAR GRIP WITH INSCRIPTION VA Ø50x43		
16	40353390	-	2	ROLLER SUCTION BAR		
17	51005600	-	2	ADDITIONAL WEIGHT SUCTION BAR 300 G		
18	73061850	-	2	SCREW M5x 35-A2-70 (IN6RD)		
19	73433030	-	2	LOCKING RING 8-A2 DIN 6799		
20	64354010	-	2	WHEEL D54		
21	53325040	-	2	PRESSURE SPRING		
22	53040980	-	2	BOLT		
23	51283390	-	1	ADDITIONAL WEIGHT SUCTION BAR		

Squeegee Lift



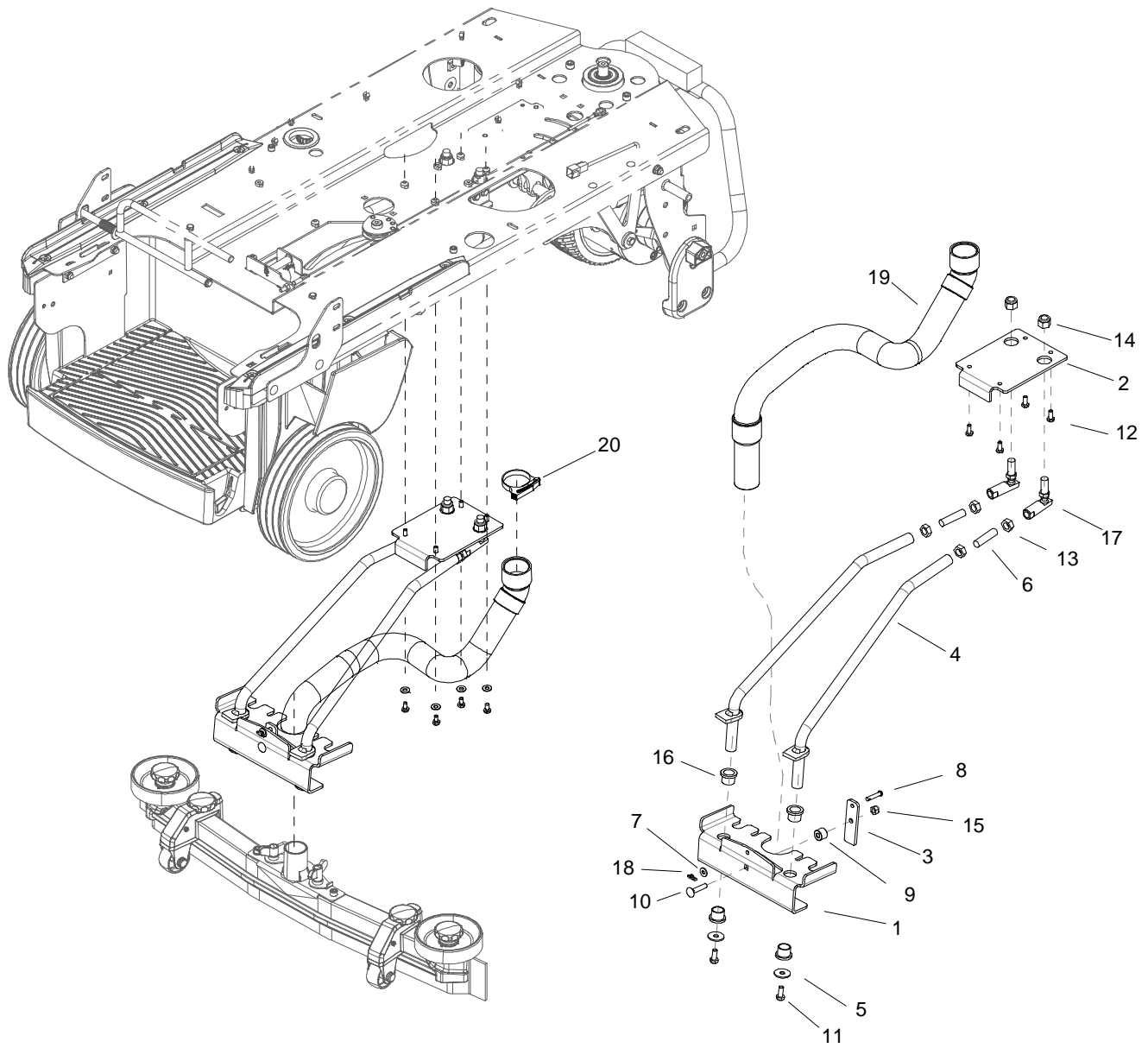
REF	PART NO.	QTY	DESCRIPTION	SERIAL NO. FROM	NOTES
1	86364040	1	BUSH, PLN, .251 X .313 X .75L		
2	86364030	1	SCR, 1/4-20 X 2-1/4, GR-8, ZN		
3	86364020	1	SCR, 1/2 X 1-1/4 SSHLD, SS		
4	86362820	1	BUSH, PLN, .510 X .750 X .375L		
5	86362310	3	WASHER, .51 X .89 X .06, UHMW		
6	86362300	1	BUSH, PLN, .251 X .375 X .50L		
7	86362290	1	BUSH, FL, .313 X .438 X .375L		
8	86362270	2	SPACER, .196X.375X.438L NYL		
9	86362260	1	BUSH, PL, .250 X .500 X .625L		
10	86362250	1	PLATE, PULLEY, LIFT, UPPER		
11	86362240	1	ASM, ARM, LIFT		
12	86362230	1	PLATE, ACTUATOR MOUNT		
13	86362220	1	BRKT, ACTUATOR, MOUNT		
14	86362210	1	U-BRACKET, PULLEY		
15A	86354470	1	CABLE, .09 X 26.63, 0707, SS		DISK
15B	86370440	1	CABLE, .09 X 30.00, 0707, SS		CYLINDRICAL
16	86320880	1	ACTUATOR, 36VDC, 3.0" STK, 8.74 LNG		
17	86317330	2	PULLEY, 2 IN.		
18	86273810	1	SCR, 1/4-20 X 1.00 HHCS SS		
19	86273750	6	SCR, 1/4-20 X 5/8 HHCS SS		
20	86272620	1	PIN, CLEVIS 1/4 X 1.13 PLTD		
21	86272470	2	PIN, CLEVIS 3/16 X .75 PLTD		
22	86272330	1	PIN, CLEVIS 1/4 X 2.44 PLTD		
23	86271870	2	NUT, 1/4-20 HEX NYLOCK THIN SS		
24	86270870	2	NUT, 1/4-28 HEX SS		
25	86264920	1	CABLE TIE, 7" UL/CSA		
26	86010630	9	WASHER, 1/4 X 5/8 FLAT SS		
27	86008650	4	COTTER, 1/4 RING		
28	86006560	1	SCR, 5/16-18 X 1.00 HHCS SS		
29	86005630	1	NUT, 3/8-16 HEX NYLOCK THIN SS		

Squeegee Swing - Disk



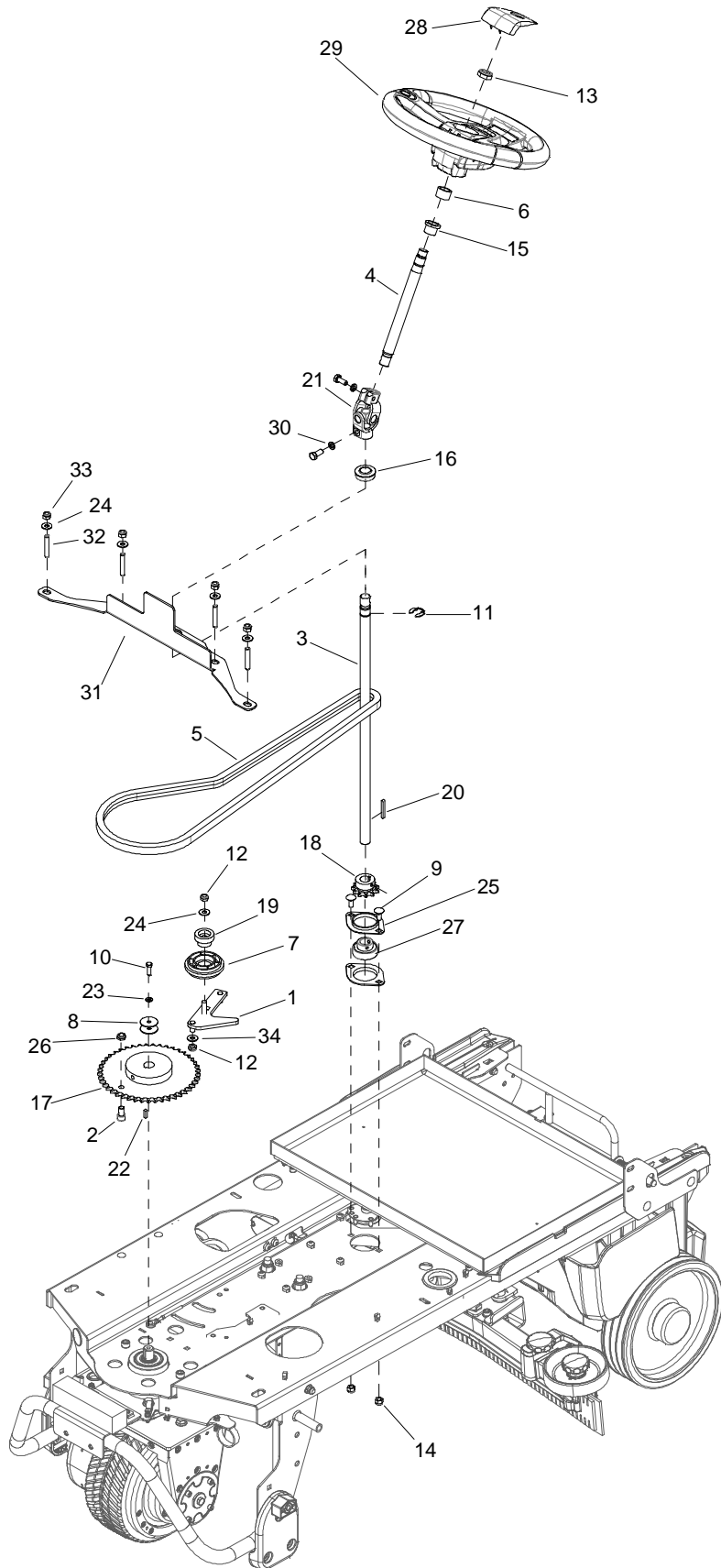
REF	PART NO.	QTY	DESCRIPTION	SERIAL NO. FROM	NOTES
1	86365530	1	CLAMP, RATCHET, 2.13D		
2	86364110	2	SCR, 5/16-18 X 3.50 HHCS, SS		
3	86363080	1	PLATE, SLIDE, SQUEEGEE		
4	86363060	2	PLATE, SLIDE, MID		
5	86363050	1	PLATE, SLIDE, SQUEEGEE		
6	86362690	1	PIN, CLEVIS, 1/4 X 1.375 PLTD		
7	86362370	2	ROD, SQUEEGEE, DIA 1.50"		
8	86362360	2	ROD, THREADED, 1/2-20, RH, ZINC		
9	86362350	2	ROD, SQUEEGEE PIVOT		
10	86361730	1	BRKT, ASM, ACTUATOR		
11	86358220	1	BASE, LIFT, SQUEEGEE		
12	86354300	1	SUCTION HOSE, 1.50"		
13	86273830	4	SCR, 1/4-20 X 1/2 HHCS SS		
14	86273820	2	SCR, 1/4-20 X 1.25 HHCS SS		
15	86271840	2	NUT, 5/16-18 HEX NYLOCK THN SS		
16	86271560	4	NUT, 1/2-20 HEX R.H. JAM		
17	86271430	2	NUT, 1/2-20 HEX NYLOCK		
18	86264940	1	CABLE TIE, 11.38" UL/CSA		
19	86368800	4	BUSHING, .313X.503X.703, PLAIN, BRZ		
20	86010670	2	WASHER, 5/16 X 3/4 SS		
21	86010630	4	WASHER, 1/4 X 5/8 FLAT SS		
22	86009080	2	BALL JOINT ASM, 1/2-20		
23	86008650	1	COTTER, 1/4 RING		
24	86259420	4	WASHER, THRUST, .51ID X 1 ODBRO		

Squeegee Swing - Cylindrical

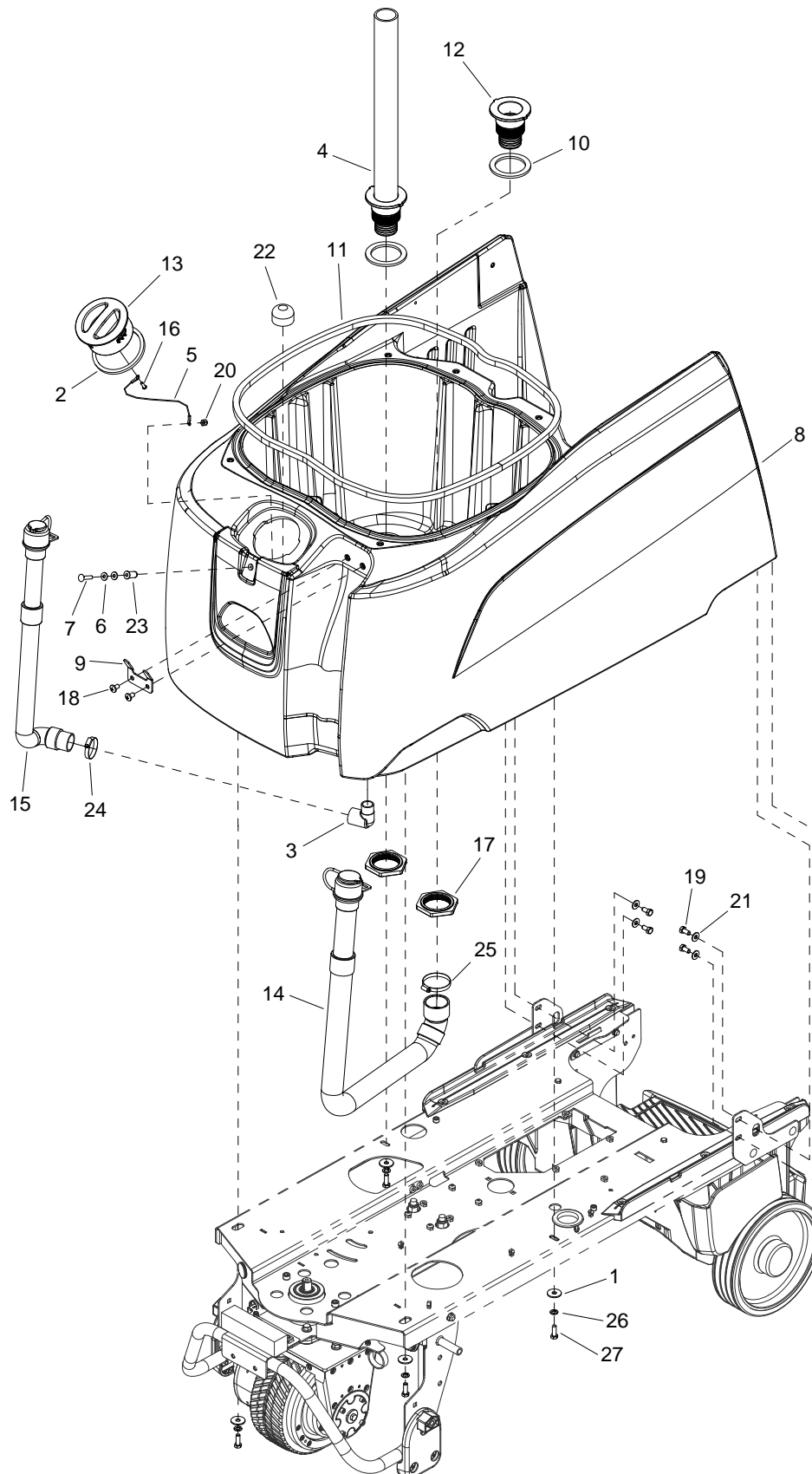


Squeegee Swing - Cylindrical

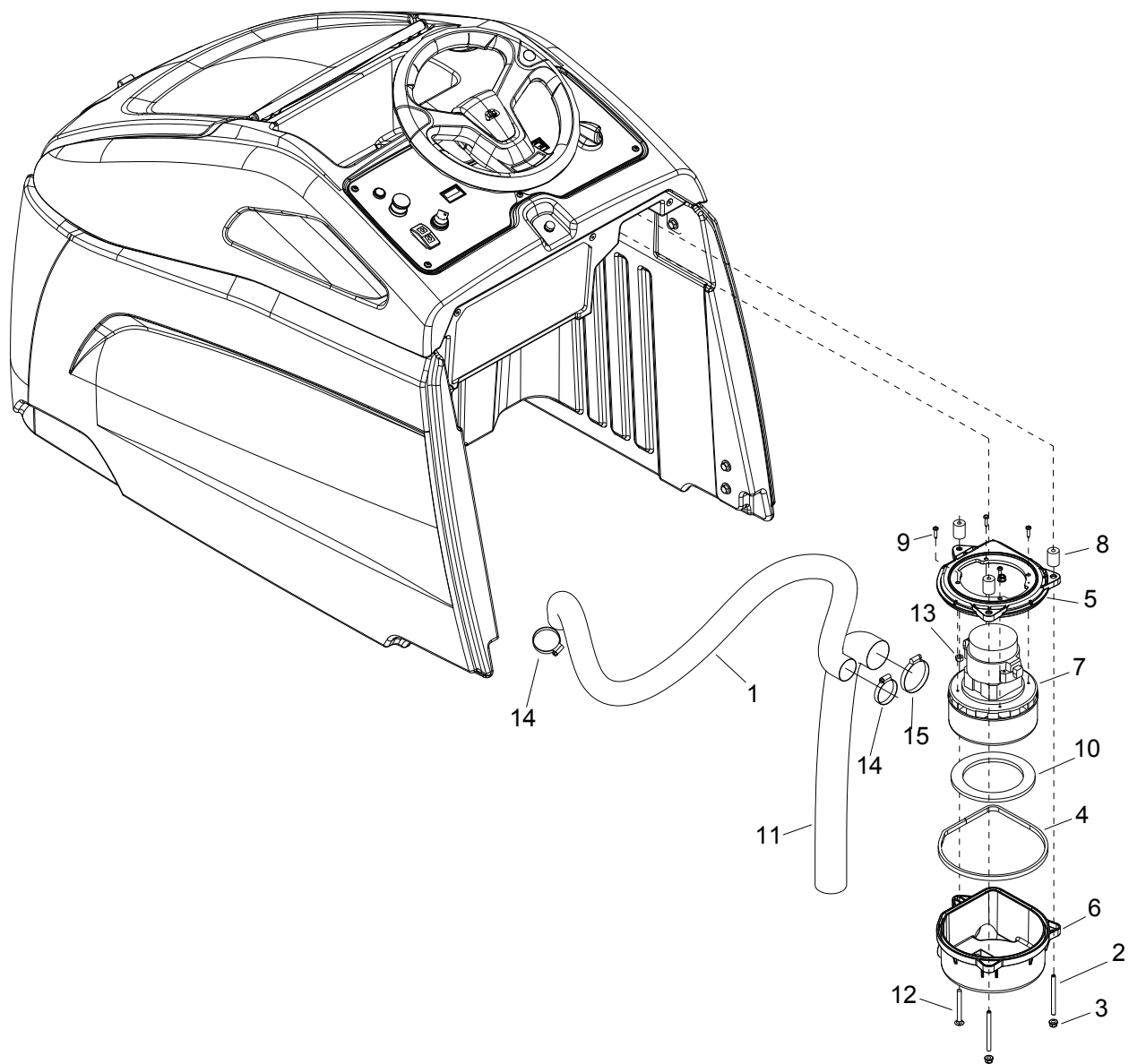
REF	PART NO.	QTY	DESCRIPTION	SERIAL NO. FROM	NOTES
1	86370640	1	BRKT, SQUEEGEE MOUNT		
2	86370630	1	PLATE, SQUEEGEE PIVOT		
3	86370620	1	PLATE, CABLE PIN		
4	86370610	2	ARM, SQUEEGEE PIVOT		
5	86367250	2	WASHER, .344 X 1.13 X .09 SS		
6	86362360	2	ALL THREAD, 1/2-20 STL ZNPLT		
7	86361770	1	WASHER, 1/4 SAE FLAT SS		
8	86272620	1	PIN, CLEVIS 1/4 X 1.125 STL ZNPLT		
9	86320680	1	SPACER, .311D X .75 OD X .56LG		
10	86277470	1	SCR, 5/16-18 X 1.5 CARRIAGE SS		
11	86276780	2	SCREW, 5/16-18 X .75 HHCS SS		
12	86273750	4	SCREW, 1/4-20 X .625 HHCS SS NP		
13	86271560	4	NUT, 1/2-20 HEX R.H. JAM		
14	86271430	2	NUT, 1/2-20 HEX NYLOCK		
15	86270830	1	NUT, 5/16-18 HEX NYLOCK SS		
16	86228790	4	BEARING, FLG, .88 OD X .75 ID X .75		
17	86009080	2	JOINT, BALL		
18	86008650	1	PIN, COTTER RING 1/4 X .041 X .844		
19	86354300	1	SUCTION HOSE 1.50"		
20	86365530	1	CLAMP, RATCHET, 2.13 D		



REF	PART NO.	QTY	DESCRIPTION	SERIAL NO. FROM	NOTES
1	86361370	1	ASM, TENSIONER PLATE		
2	86361210	1	SCR, 3/8-16 X 0.625 SHCS		
3	86358400	1	SHAFT, LOWER STEERING 21		
4	86358390	1	SHAFT, UPPER STEERING 9.0		
5	86358380	1	CHAIN , 12.7MM PITCH, 118 ROLLER		
6	86333950	1	BEARING, .75ID X 1.0OD X .63		
7	86330720	1	CHAIN TENSIONER		
8	86278940	2	WASHER, 1/4 X 1-1/4 FLAT		
9	86277410	2	SCR, 5/16-18 X .625 CARR SS		
10	86274330	1	SCR, M6 X 20 HHMS PLTD		
11	86272900	1	RING, 3/4 KLIP		
12	86271840	3	NUT, 5/16-18 HEX NYLOCK THN SS		
13	86271610	1	NUT, 5/8-18 HEX NYLOCK THIN		
14	86271840	2	NUT, 5/16-18 HEX NYLOCK THIN SS		
15	86228790	1	BEARING, FLG,.88 OD X .75 ID X .75		
16	86228670	1	BEARING-BALL FLANGED SEALED ONE		
17	86224810	1	SPROCKET, DRIVE WHEEL STEERING		
18	86224800	1	SPROCKET, STEERING SHAFT		
19	86224270	1	SLEEVE, CHAIN TENSIONER		
20	86219650	1	KEY, 5MM SQ X 39MM L		
21	86219600	1	JOINT, UNIVERSAL FEMALE		
22	86135970	1	KEY, 3/16 SQ X 11/16 LG CRS		
23	86010780	1	WASHER, 1/4 SPLIT		
24	86010670	5	WASHER, 5/16 X 3/4 SS		
25	86008610	2	FLANGE, BEARING PRESSED STEEL		
26	86005630	1	NUT, 3/8-16 HEX NYLOCK THIN SS		
27	86001030	1	BEARING, BALL 3/4 BORE SPHERED		
28	66403520	1	COVER, STEERING WINDSOR		
29	64357990	1	WHEEL, STEERING AKW		
30	86279130	2	WASHER 5/16 SPLIT LOCK PLTD		
31	86361110	1	BRKT, STEERING		
32	86278080	4	SCREW, 5/16-18 X 1.75 SCHSET CP SS		
33	86270830	4	NUT, 5/16-18 HEX NYLOCK SS		
34	86367250	1	WASHER, .344ID X 1.13OD X .09T SS		

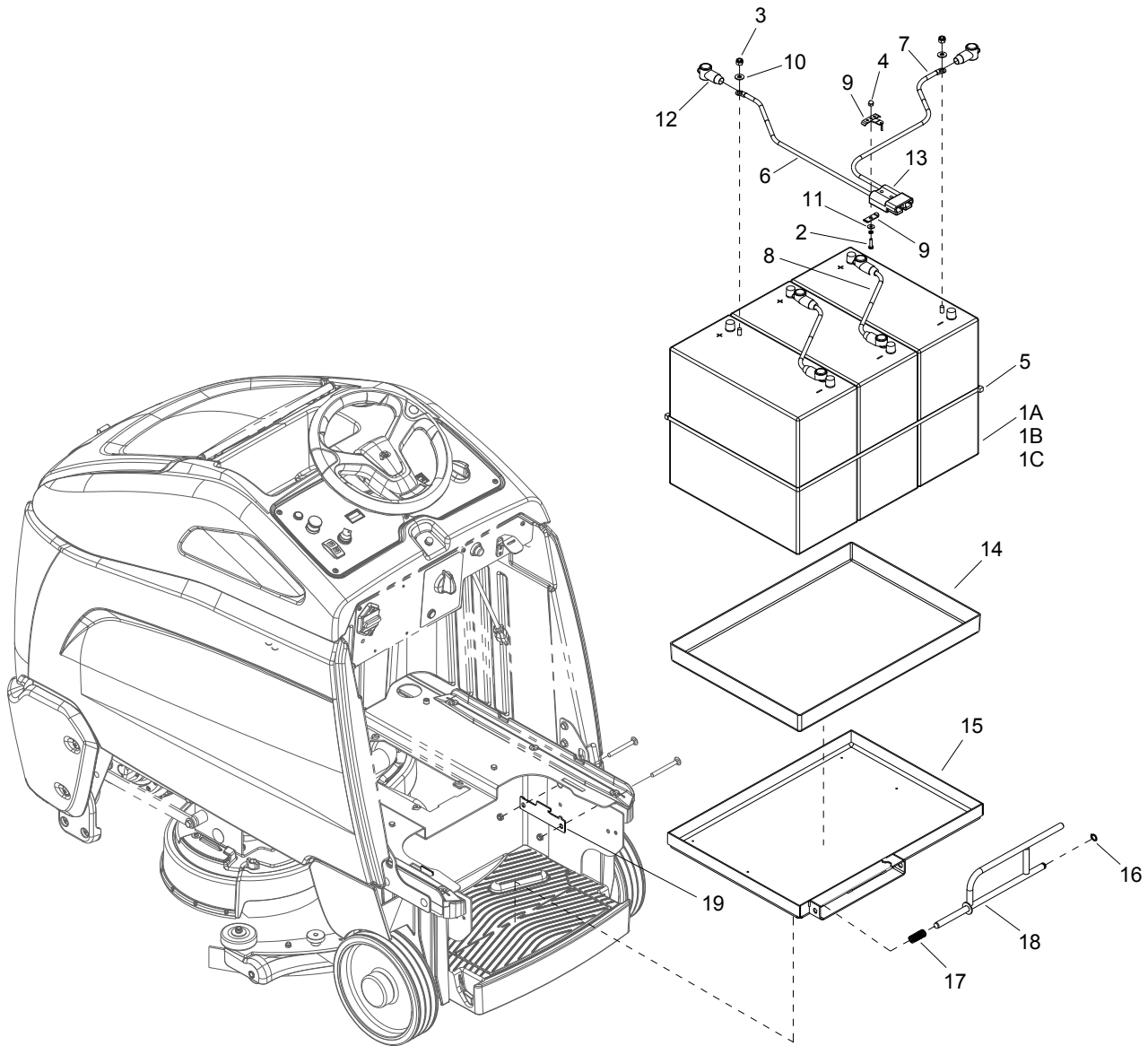


REF	PART NO.	QTY	DESCRIPTION	SERIAL NO. FROM	NOTES
1	86367250	4	WASHER, .344IDX1.130ODX.09T SS		
2	86366450	1	GASKET, SOLUTION FILL		
3	86362380	1	ELBOW, PVC, 3/4M X SOC SCH 40		
4	86361920	1	TUBE ASM, RECOVERY INLET		
5	86361780	1	LANYARD, 12" SS		
6	86361770	2	WASHER, 1/4 SAE FLAT SS		
7	86361760	1	SCR, 1/4-20 X 1.25 CARRIAGE SS		
8	86360780	1	TANK, BLUE, CS26		
9	86360650	1	BRKT, HOSE RETENTION		
10	86360640	2	GASKET, 3.30 X 2.45 X .188		
11	86360630	1	GASKET, MAIN TANK		
12	86359060	1	BULKHEAD FITTING		
13	86358680	1	CAP, CLEAN WATER		
14	86354270	1	HOSE, RECOVERY DRAIN		
15	86353950	1	HOSE, SOLUTION DRAIN		
16	86327510	1	SCR, KA50X16, PT OHS, WN1412, A2 SS		
17	86314080	2	NUT, DRAIN FITTING		
18	86277480	2	SCR, 5/16-18X1/2 PTHMS SS		
19	86276490	4	SCR, 5/16-18 X 5/8 HHCS SS		
20	86271940	1	NUT, 1/4-20 ACORN SS		
21	86010670	4	WASHER, 5/16 X 3/4 SS		
22	86007970	1	STRAINER, 3/8 IN. NPT 60 MESH		
23	86005620	1	NUT, 1/4-20 X .962 WELL		
24	86002390	1	CLAMP, 1.75 WORM GEAR X .312		
25	86002380	1	CLAMP, 2.25 WORM GEAR		
26	86279130	4	WASHER, 5/16 SPLT STL ZNPLT		
27	86276780	4	SCREW, 5/16-18 X .75 HHCS SS		

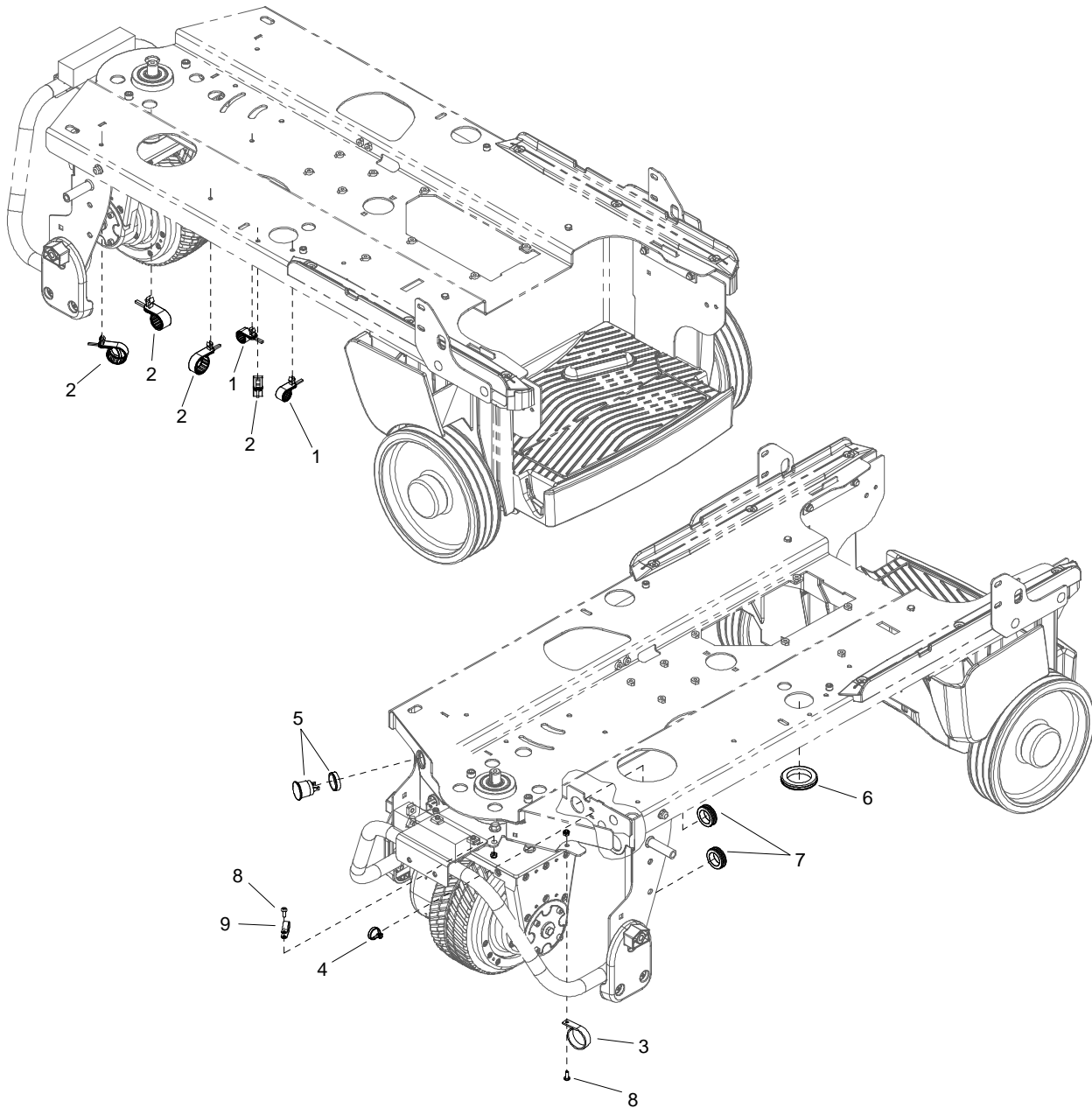


REF	PART NO.	QTY	DESCRIPTION	SERIAL NO. FROM	NOTES
1	86360990	1	HOSE, 1.5 BLK VAC X 40"		
2	86360320	2	SCR, SET 1/4-20X3 HEX SKT CUP PT SS		
3	86360310	3	NUT, 1/4-20 FLG SS NYL		
4	86360270	1	GASKET, .188 X .31 X 22.8		
5	86359040	1	VAC HOUSING, UPPER		
6	86359030	1	VAC HOUSING, LOWER		
7	86358110	1	VAC MOTOR, 36VDC 2ST PD		
8	86327500	3	MOUNT, VIBRATION		
-	86326980	1	BRUSH SET 24/36V VAC WINDSOR		
9	86317630	4	SCR, #8 X 3/4" PPHSMS TYPE AB		
10	86312920	1	GASKET, VAC MOTOR		
11	86280990	1	HOSE, VAC EXHAUST X 24"		
12	86276350	1	SCR, 1/4-20 X 2.50 CARRIAGE		
13	86270770	1	NUT, 1/4-20 HEX		
14	86002390	2	CLAMP, 1.75 WORM GEAR X .312		
15	86002380	1	CLAMP, 2.25 WORM GEAR		

Wiring-Batteries

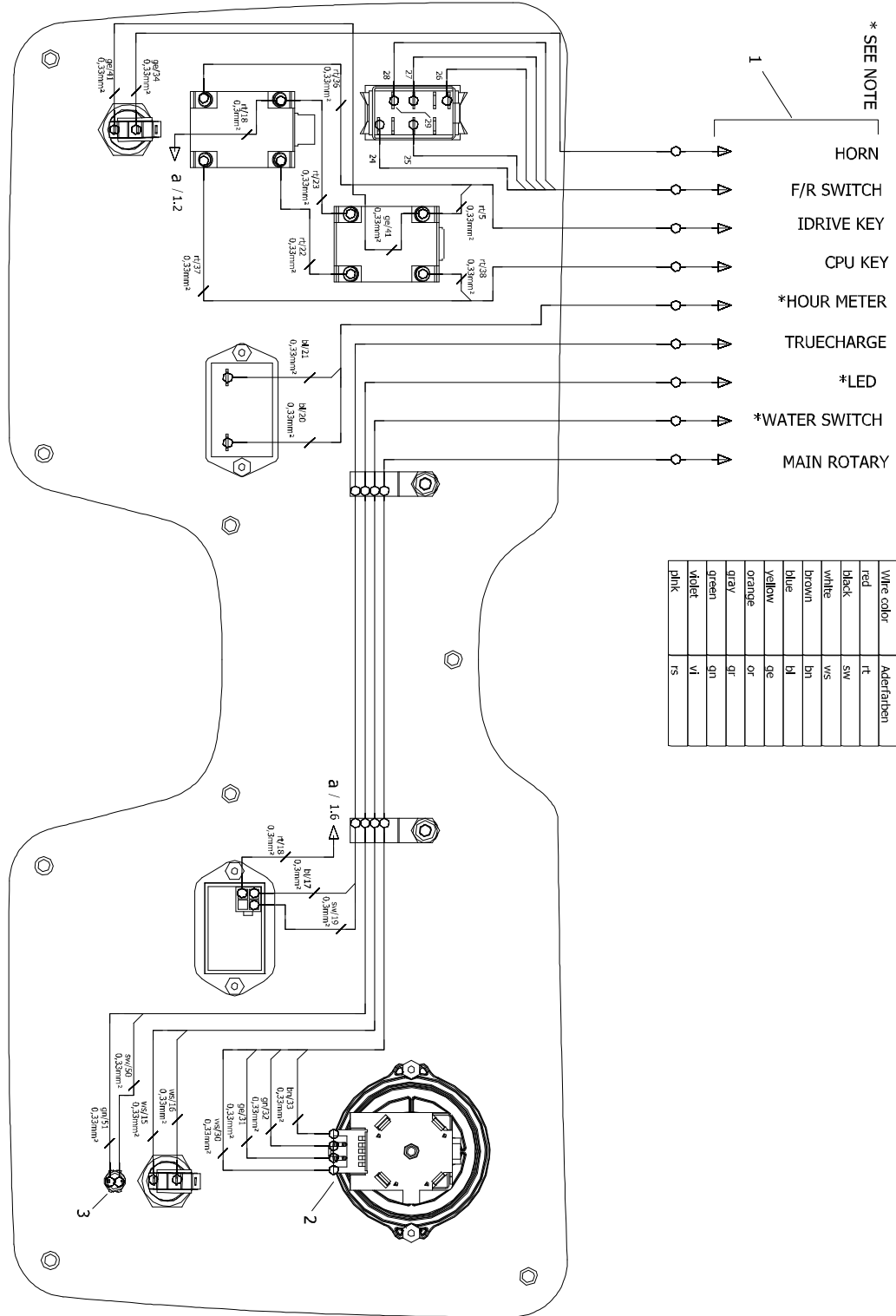


REF	PART NO.	QTY	DESCRIPTION	SERIAL NO. FROM	NOTES
1A	86283410	3	BATTERY, 12V, 225AH		
1B	86228430	3	BATTERY, 12V AGM 234AH		
2B	86228410	3	BATTERY, 12V, 205AH (J185P-AC)		
2	86273980	1	SCR, 10-32 X 3/4 PPHMS SS		
3	86271910	6	NUT, 5/16-18 FLEXLOCK		
4	86270890	1	NUT, 10-32 HEX ACORN		
5	86264960	2	CABLE TIE, .375 X 43		
6	86260610	1	WIRE, 4X25RD CTERM X 3/8RG		
7	86260230	1	WIRE, 4X30BLK CTERM X 3/8RG		
8	86260200	2	WIRE, 4X14.5BLK 3/8RG X 3/8RG		
9	86233360	1	CLAMP, CABLE KIT SY945		
10	86010670	6	WASHER, 5/16 X 3/4 SS		
11	86010650	1	WASHER, #10 X 9/16 FLAT		
12	86008920	6	INSULATOR-TERMINAL RUBBER BOOT-BLACK		
13	86008760	1	CONNECTOR 175 DCA GRY W/O TERMS		
14	86359250	1	TRAY, BATTERY LINER, TRIMMED		
15	86359500	1	ASM, BATTERY TRAY		
16	86272810	1	RING 1/2 EXT.SNAP H-D		
17	86254990	1	SPRING,COMP, 63ODX3.5LX.047W		
18	86092910	1	LATCH ROD, BATTERY TRAY		
19	86360020	2	PLATE, BATTERY STOP		



REF	PART NO.	QTY	DESCRIPTION	SERIAL NO. FROM	NOTES
1	86361230	2	CLAMP, PAN 3/4"		
2	86361220	4	CLAMP, PAN 1-1/4"		
3	86326270	1	CLAMP, 1.5 DIA		
4	86264940	1	CABLE TIE 11.38" UL/CSA		
5	86239720	1	HORN, 108DB MINATURE W/RING		
6	86238500	1	GROMMET,1.703IDX2.5.ODX.125GRV		
7	86238430	2	GROMMET 1.00 ID 3/16 GRIP		
8	86006980	2	SCREW, 10-32 X .5 HHCS SS		
9	86198460	1	CLAMP, 5/8 NYLON UL/CSA		

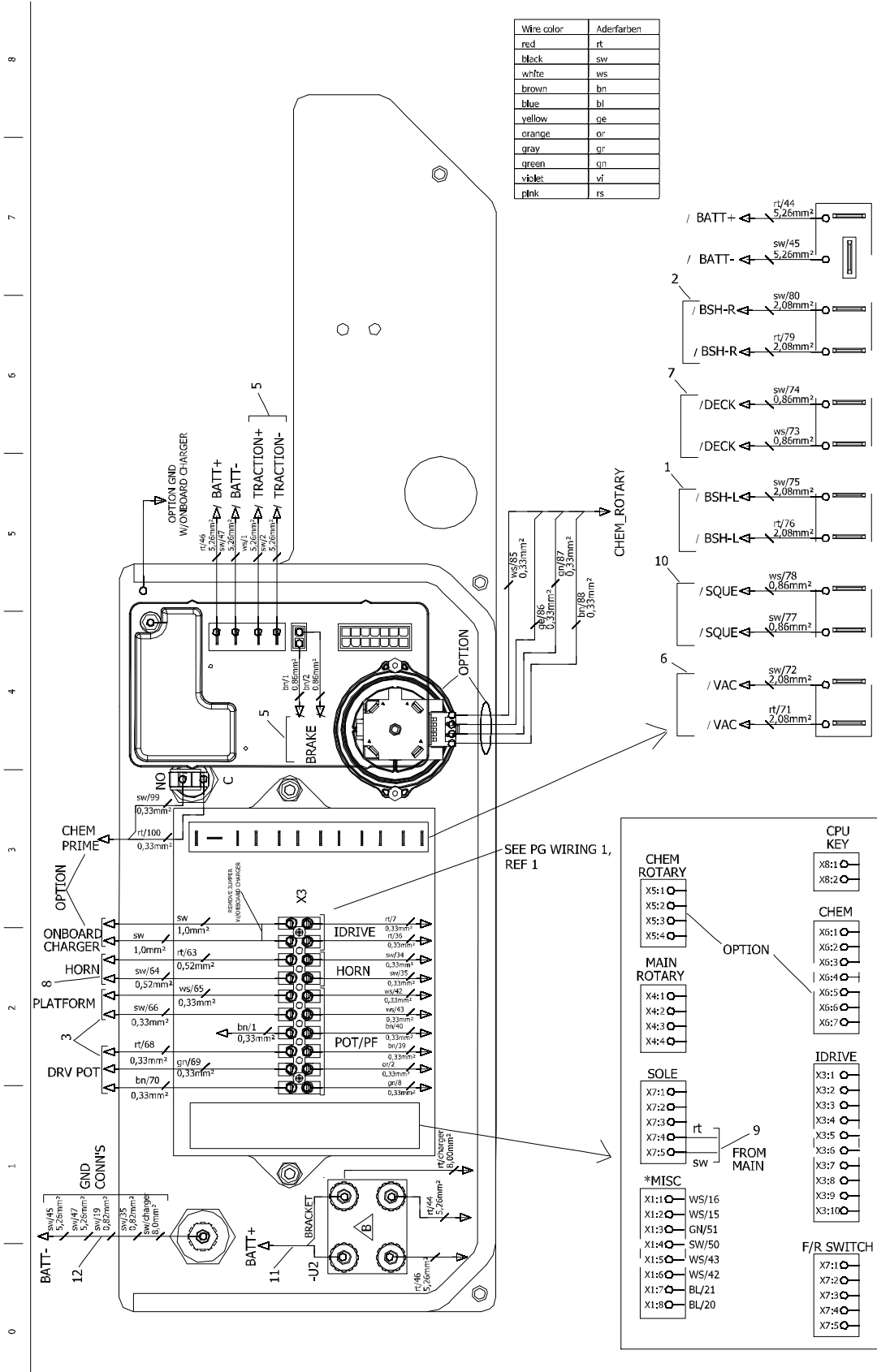
NOTE: * CONNECTIONS MADE TO *MISC CONNECTOR WIRING 2 PAGE



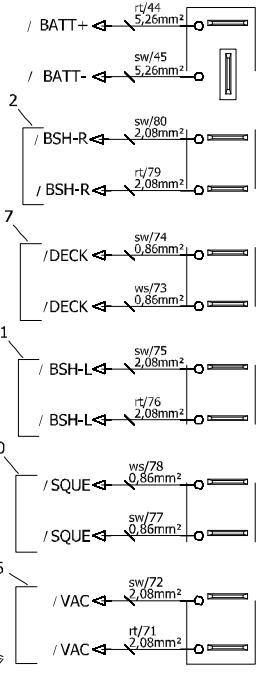
Wire color	Aderfarben
red	rt
black	sw
white	ws
brown	bn
blue	bl
yellow	ge
orange	or
grey	gr
green	gn
violet	vl
pink	rs

7
6
5
4
3
2
1
0

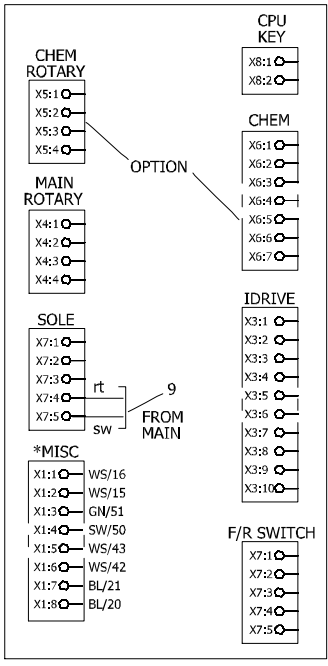
REF	PART NO.	QTY	DESCRIPTION	SERIAL NO. FROM	NOTES
1	86356760	1	HARNESS, PANEL, CS26		
2	86366540	1	HARNESS, ROTARY, MAIN, CS26		
3	86367100	1	LED, WATER INDICATOR		



Wire color	Aderfarben
red	rt
black	sw
white	ws
brown	bn
blue	bl
yellow	ge
orange	or
gray	gr
green	gn
violet	vi
pink	rs

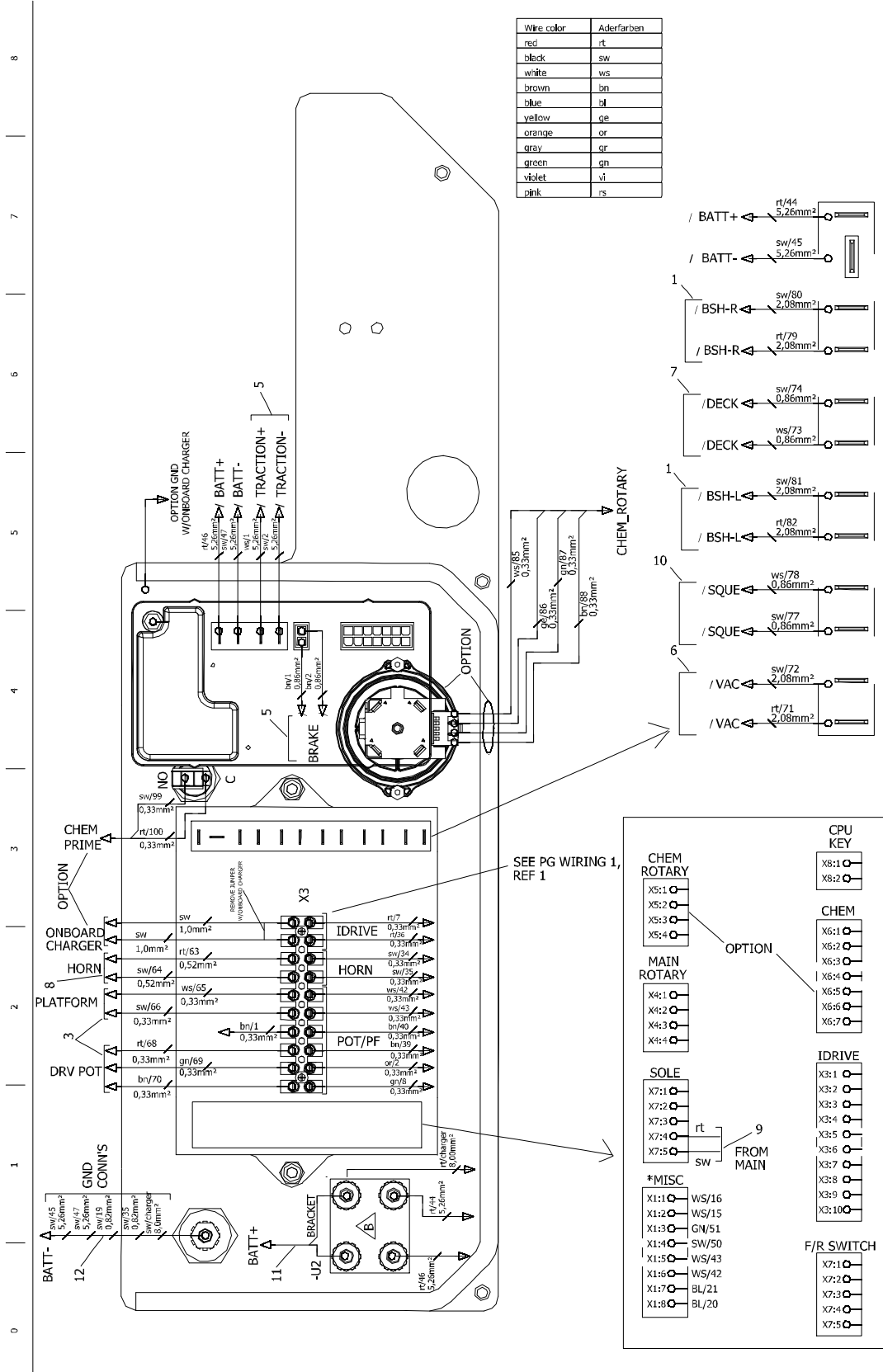


SEE PG WIRING 1, REF 1

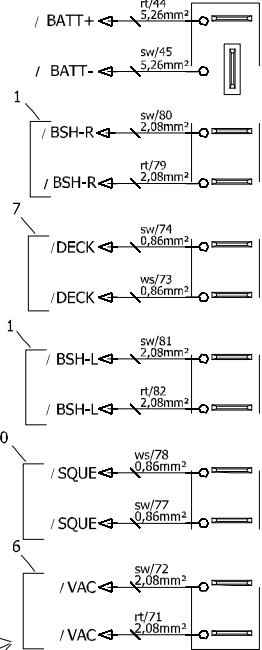


REF	PART NO.	QTY	DESCRIPTION	SERIAL NO. FROM	NOTES
1	86366570	1	HARNESS, BRSH MTR LT, CS26		
2	86366560	1	HARNESS, BRSH MTR RT, CS26		
3	86361910	1	HARNESS, PLATFORM PNL, CS26		
4	86366520	1	HARNESS, PLATFORM CS26		NOT SHOWN
5	86369820	1	HARNESS, DRIVE & BRAKE ASM		
6	86366610	1	HARNESS, VACUUM, CS26		
7	86366580	1	HARNESS, DECK ACT, CS26		
8	86366620	1	HARNESS, HORN, CS26		
9	86366600	1	HARNESS, SOLENOID, CS26		
10	86366590	1	HARNESS, SQG LIFT, CS26		
11	86010850	1	WIRE, 4X20 RD CTERM		
12	86010860	1	WIRE, 4X20 BK CTERM		
13	86008760	1	CONNECTOR, 175 DCA GRY		NOT SHOWN
-	86366510	1	HARNESS, MAIN, CS26		COMPLETE-INCLUDES 1 -3 & 7-10

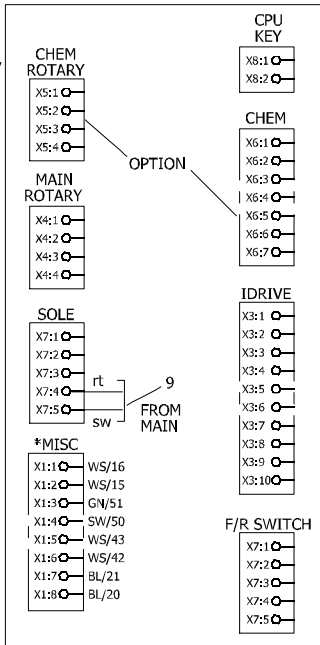
Wiring 2 Cylindrical



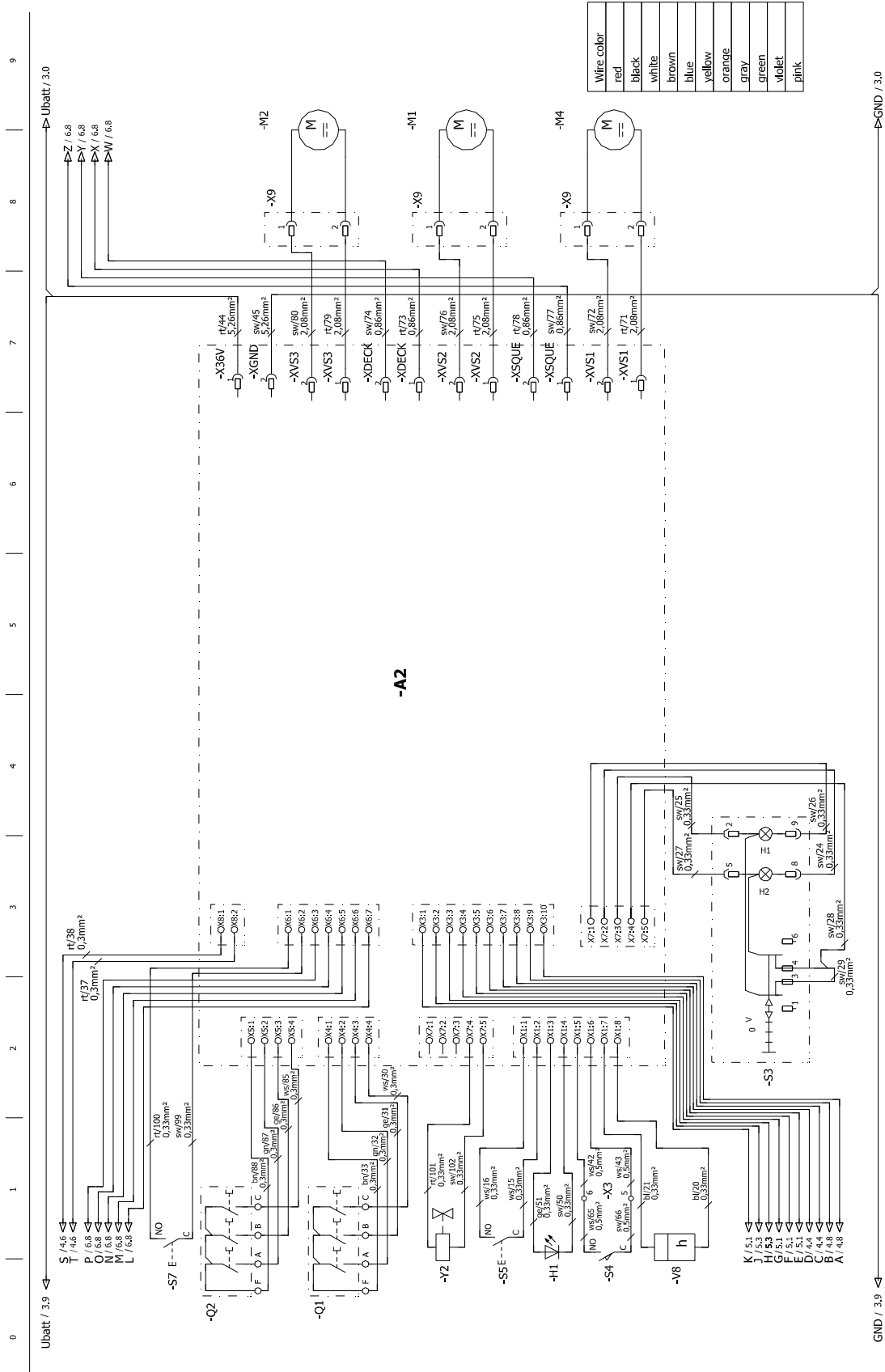
Wire color	Aderfarben
red	rt
black	sw
white	ws
brown	bn
blue	bl
yellow	ge
orange	or
gray	gr
green	gn
violet	vi
pink	rs



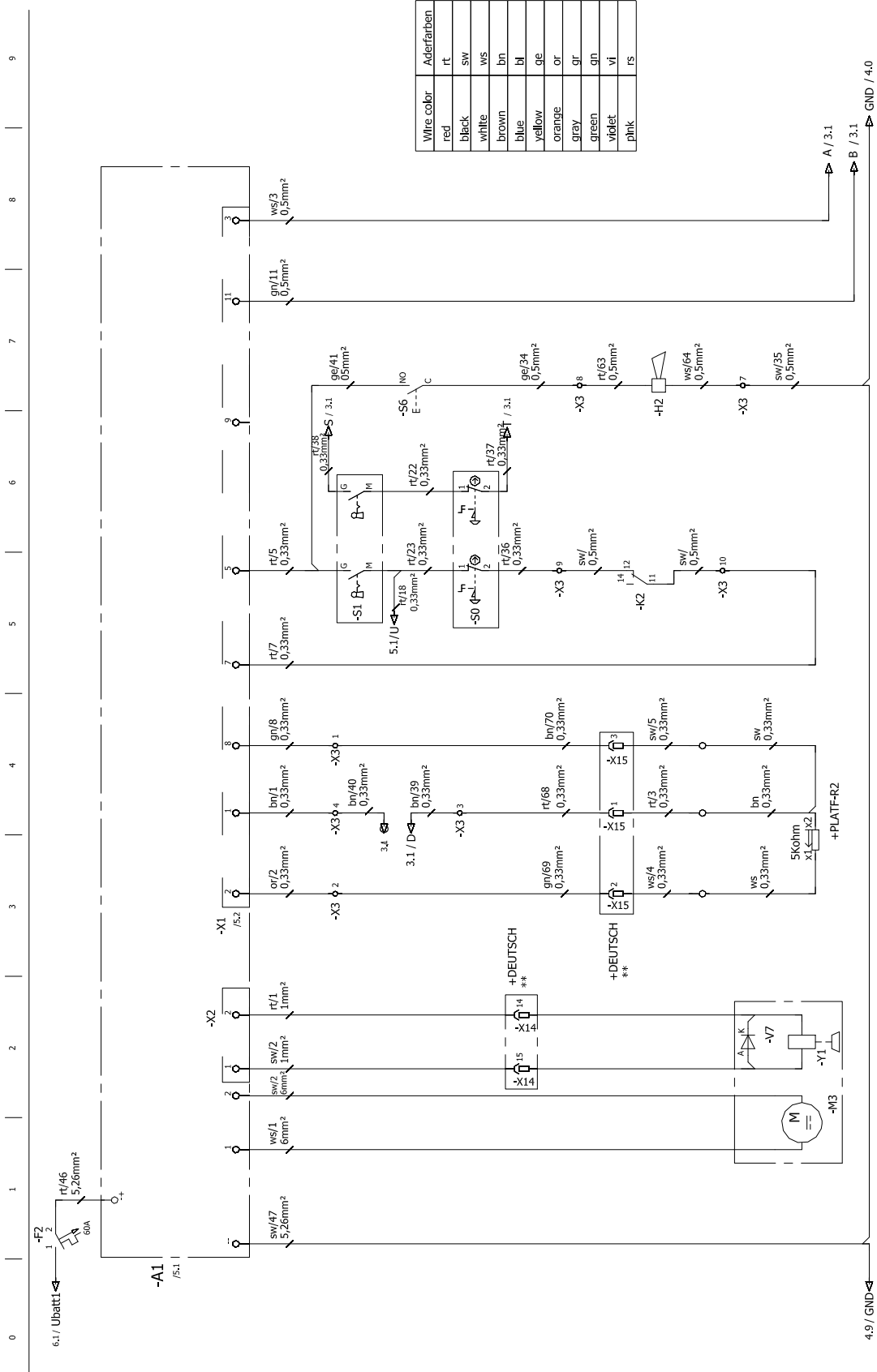
SEE PG WIRING 1, REF 1



REF	PART NO.	QTY	DESCRIPTION	SERIAL NO. FROM	NOTES
1	86370920	1	HARNESS, BRUSHES, CS26SP		
2	86008760	1	CONNECTOR, 175 DCA GRY		NOT SHOWN
3	86361910	1	HARNESS, PLATFORM PNL, CS26		
4	86366520	1	HARNESS, PLATFORM CS26		NOT SHOWN
5	86369820	1	HARNESS, DRIVE & BRAKE ASM		
6	86366610	1	HARNESS, VACUUM, CS26		
7	86370900	1	HARNESS, DECK ACT, CS26SP		
8	86366620	1	HARNESS, HORN, CS26		
9	86370880	1	HARNESS, SOLENOID, CS26SP		
10	86370890	1	HARNESS, SQG LIFT, CS26SP		
11	86010850	1	WIRE, 4X20 RD CTERM		
12	86010860	1	WIRE, 4X20 BK CTERM		
-	86370870	1	HARNESS, MAIN, CS26SP		COMPLETE- INCLUDES 1, 3 & 7-10

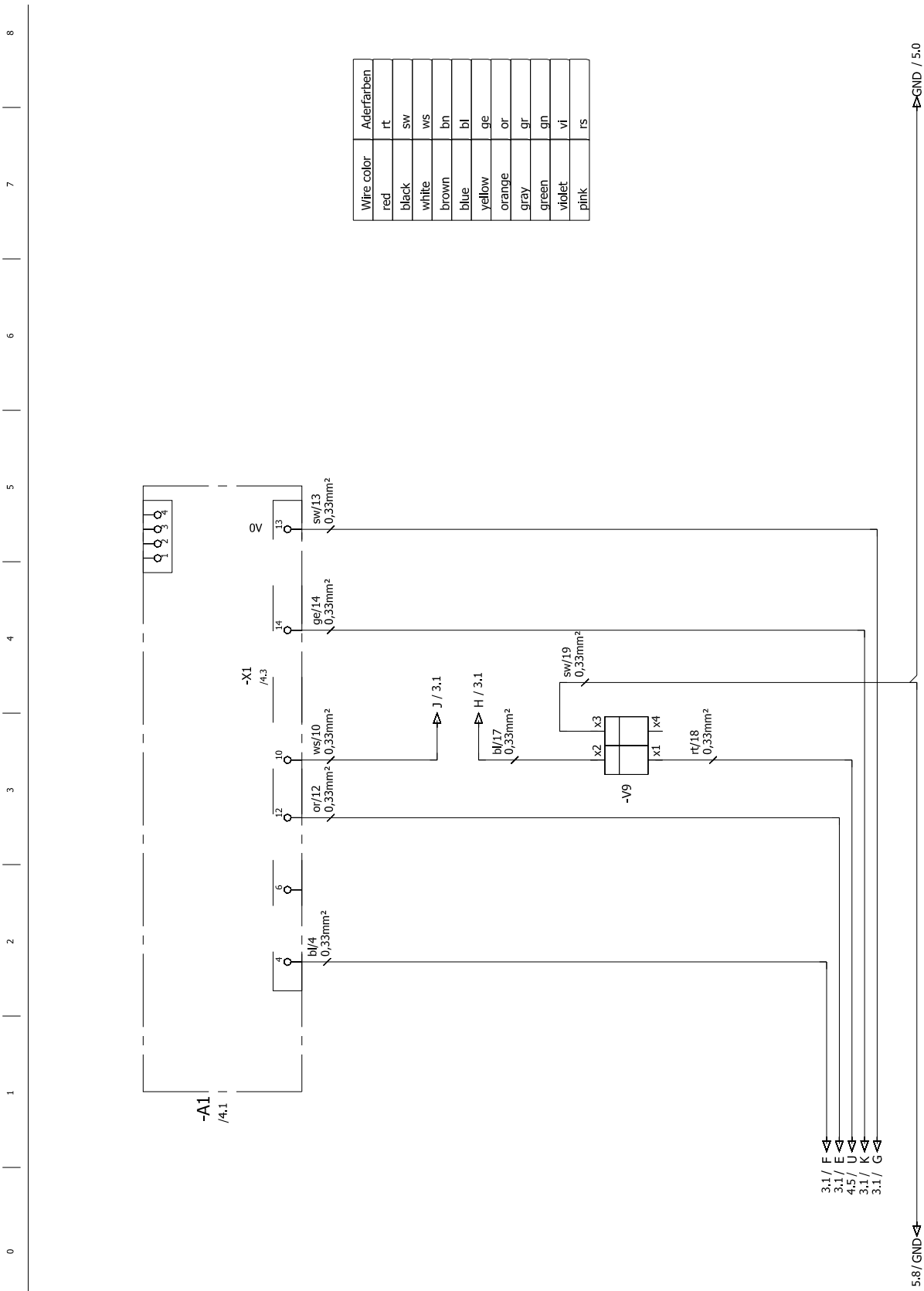


REF	DESCRIPTION
A1	IDRIVE CONTROL
A2	CPU CONTROL
G1-G3	BATTERY 12V
M1	BRUSH MOTOR
M2	BRUSH MOTOR
M3	TRACTION MOTOR
M4	VACUUM MOTOR
M5	DECK ACTUATOR
M6	SQUEEGEE ACTUATOR
S0	E STOP
S1	KEY SWITCH
S3	F/R SWITCH
S4	PLATFORM SWITCH
S5	WATER SWITCH
S6	HORN SWITCH
S7	PRIME SWITCH
Q1	MAIN ROTARY
Q2	CHEM ROTARY
V8	HOUR METER
Y1	BRAKE
Y2	WATER SOLENOID
U1	CHEM PUMP OPTION
V10	FLOW METER OPTION
V9	TRUECHARGE
H1	WATER LED
H2	HORN
F1	PCB 60A - U2
F2	IDRIVE 60A - U2
X12/X13/X14/X15	DEUTSCH CONNECTOR
X9/X10/X11	PACKARD CONNECTOR

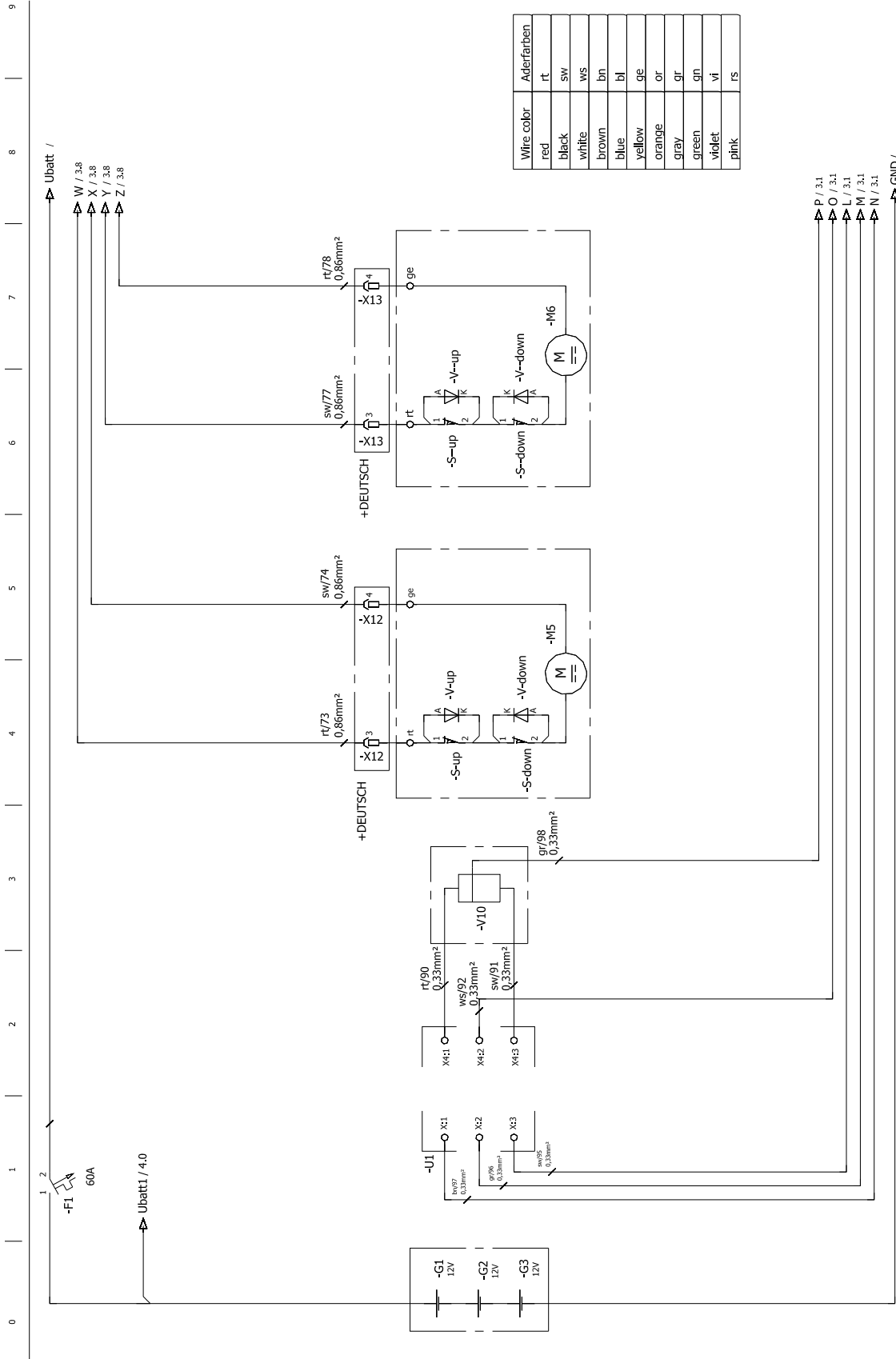


Wire color	Aderfarben
red	rt
black	sw
white	ws
brown	bn
blue	bl
yellow	ge
orange	or
gray	gr
green	gn
violet	vi
pink	rs

REF	DESCRIPTION
A1	IDRIVE CONTROL
A2	CPU CONTROL
G1-G3	BATTERY 12V
M1	BRUSH MOTOR
M2	BRUSH MOTOR
M3	TRACTION MOTOR
M4	VACUUM MOTOR
M5	DECK ACTUATOR
M6	SQUEEGEE ACTUATOR
S0	E STOP
S1	KEY SWITCH
S3	F/R SWITCH
S4	PLATFORM SWITCH
S5	WATER SWITCH
S6	HORN SWITCH
S7	PRIME SWITCH
Q1	MAIN ROTARY
Q2	CHEM ROTARY
V8	HOUR METER
Y1	BRAKE
Y2	WATER SOLENOID
U1	CHEM PUMP OPTION
V10	FLOW METER OPTION
V9	TRUECHARGE
H1	WATER LED
H2	HORN
F1	PCB 60A - U2
F2	IDRIVE 60A - U2
X12/X13/X14/X15	DEUTSCH CONNECTOR
X9/X10/X11	PACKARD CONNECTOR

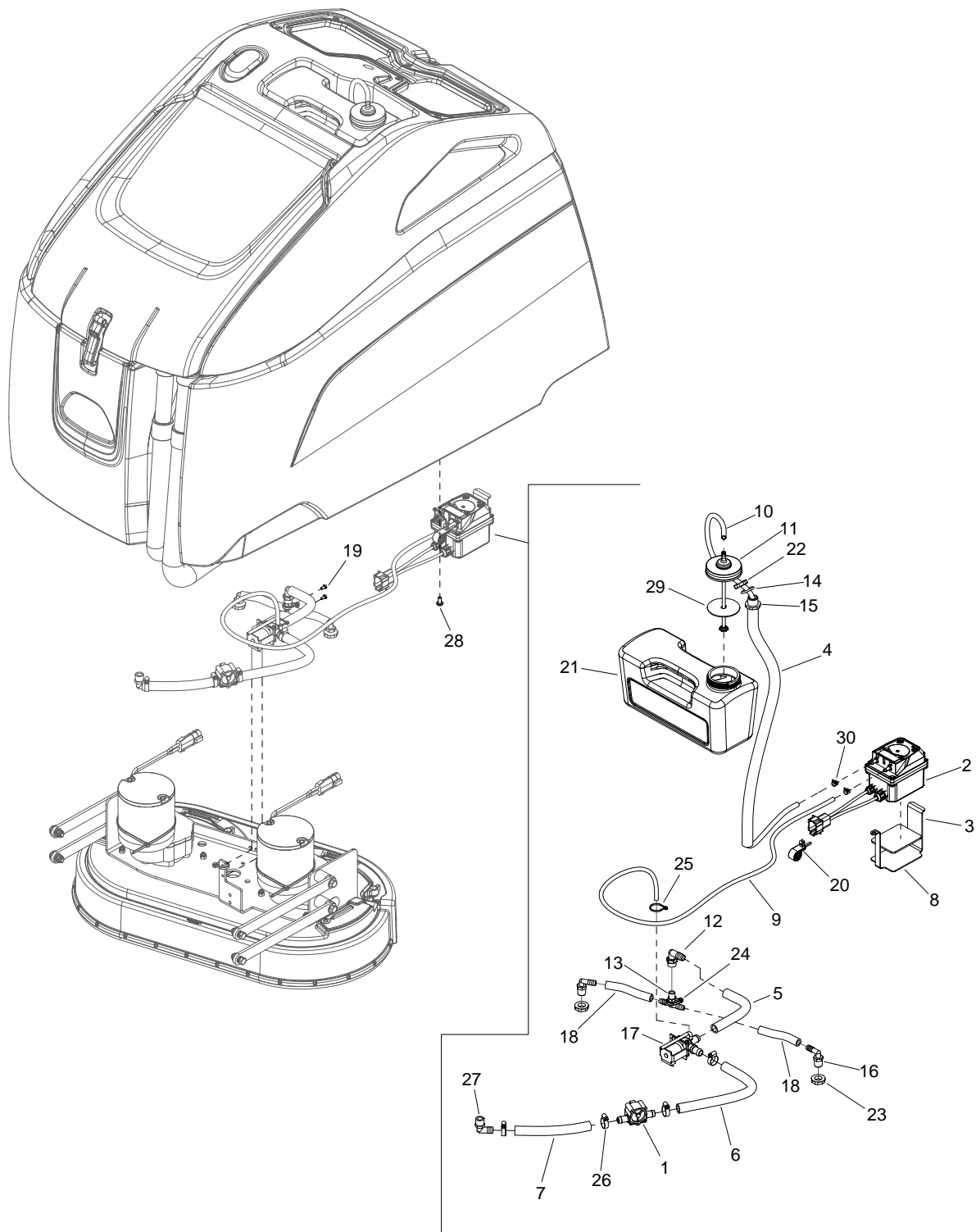


REF	DESCRIPTION
A1	IDRIVE CONTROL
A2	CPU CONTROL
G1-G3	BATTERY 12V
M1	BRUSH MOTOR
M2	BRUSH MOTOR
M3	TRACTION MOTOR
M4	VACUUM MOTOR
M5	DECK ACTUATOR
M6	SQUEEGEE ACTUATOR
S0	E STOP
S1	KEY SWITCH
S3	F/R SWITCH
S4	PLATFORM SWITCH
S5	WATER SWITCH
S6	HORN SWITCH
S7	PRIME SWITCH
Q1	MAIN ROTARY
Q2	CHEM ROTARY
V8	HOUR METER
Y1	BRAKE
Y2	WATER SOLENOID
U1	CHEM PUMP OPTION
V10	FLOW METER OPTION
V9	TRUECHARGE
H1	WATER LED
H2	HORN
F1	PCB 60A - U2
F2	IDRIVE 60A - U2
X12/X13/X14/X15	DEUTSCH CONNECTOR
X9/X10/X11	PACKARD CONNECTOR



REF	DESCRIPTION
A1	IDRIVE CONTROL
A2	CPU CONTROL
G1-G3	BATTERY 12V
M1	BRUSH MOTOR
M2	BRUSH MOTOR
M3	TRACTION MOTOR
M4	VACUUM MOTOR
M5	DECK ACTUATOR
M6	SQUEEGEE ACTUATOR
S0	E STOP
S1	KEY SWITCH
S3	F/R SWITCH
S4	PLATFORM SWITCH
S5	WATER SWITCH
S6	HORN SWITCH
S7	PRIME SWITCH
Q1	MAIN ROTARY
Q2	CHEM ROTARY
V8	HOUR METER
Y1	BRAKE
Y2	WATER SOLENOID
U1	CHEM PUMP OPTION
V10	FLOW METER OPTION
V9	TRUECHARGE
H1	WATER LED
H2	HORN
F1	PCB 60A - U2
F2	IDRIVE 60A - U2
X12/X13/X14/X15	DEUTSCH CONNECTOR
X9/X10/X11	PACKARD CONNECTOR

Options

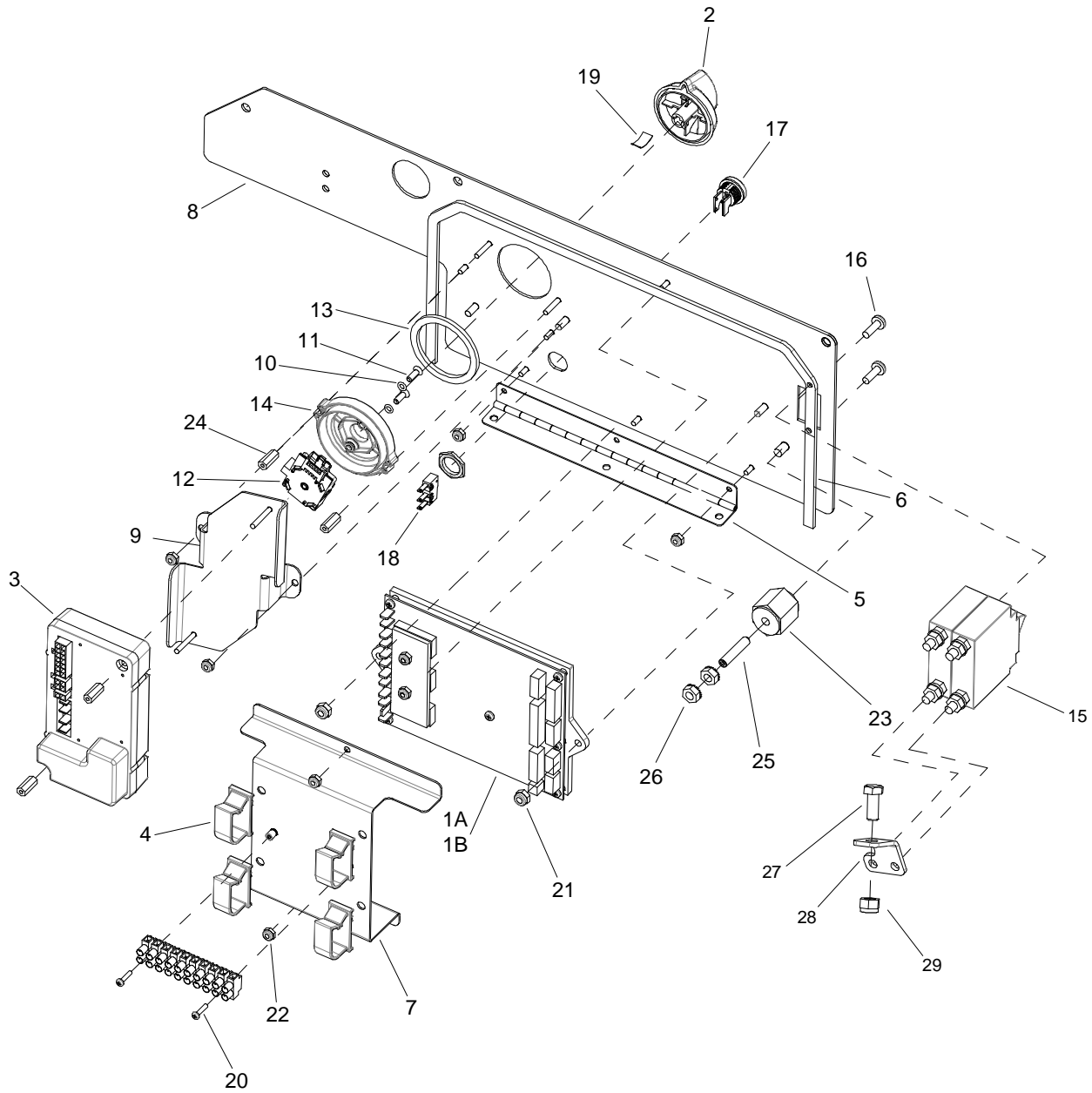


REF	PART NO.	QTY	DESCRIPTION	SERIAL NO. FROM	NOTES
1	64290380	1	FLOWMETRE		
2	86364390	1	PUMP, CHEMICAL DOSING		
-	40354760	1	HOSE KIT REPLACEMENT		
3	86363990	1	BRKT, CHEMICAL PUMP		
4	86363980	1	HOSE, 5/8ID X .12W CLR X 25"		
5	86363970	1	HOSE, 1/2ID WIREBOUND X 8.25"		
6	86363960	1	HOSE, 1/2ID WIREBOUND X 15"		
7	86363950	1	HOSE, 1/2ID WIREBOUND X 6.25"		
8	86363940	1	PAD, CHEMICAL PUMP		
9	86363900	1	HOSE, 3/16ID X 5/16OD X 41, CLR		
10	86401590	1	HOSE, 3/16ID X 5/16OD X 47, CLR		
11	86363880	1	CAP, 70MM DISPENSING, FLTR, BLK		
12	86362980	1	ELBOW, 1/4FPT X 1/2BARB 90 DEG NYL		
13	86362970	1	TEE, 1/4 MPT X 3/8 BARBS, NYL		
14	86362850	1	O-RING, .86 ID X .14 W, BUNA-N		
15	86362840	1	FTG, 1/2 MPT X 1/2 CONDUIT, NYL		
16	86001550	2	HOSEBARB, 3/8MPT X 3/8HOSE 90		
17	86361690	1	VALVE, 36V SOL, 1/2 BARB, MC		
18	86281330	2	HOSE, 3/8ID WIRE BOUND X 4"		
19	86006520	2	SCR, 8-32 X 3/8 PPHMS SS		
20	86361230	1	CLAMP, PAN 3/4"		
21	86359010	1	CHEMICAL BOTTLE		
22	86271850	1	NUT, 1/2 NPT PLASTIC		
23	86271830	2	NUT, 3/8 NPT PLASTIC		
24	86264940	1	CABLE TIE, 11.38" UL/CSA		
25	86264930	1	CABLE TIE, 3.5" UL/CSA		
26	86233150	4	CLAMP, 3/8 WORM GEAR		
27	86197940	1	HOSEBARB, 3/8 MPT X 1/2 HOSE 90		
28	86006580	1	SCR, 1/4-20 X 1/2 PPHMS SS DL		
29	86402240	1	GASKET, 2.66OD X .06 THICK		
30	86402340	2	CLAMP, HOSE, .38 BAND		
-	86369920	-	CAP, STORAGE, 70 MM		
-	86370450	-	KIT, CHEMICAL BOTTLE 3-PACK		

Chemical Metering Solution System - Cylindrical

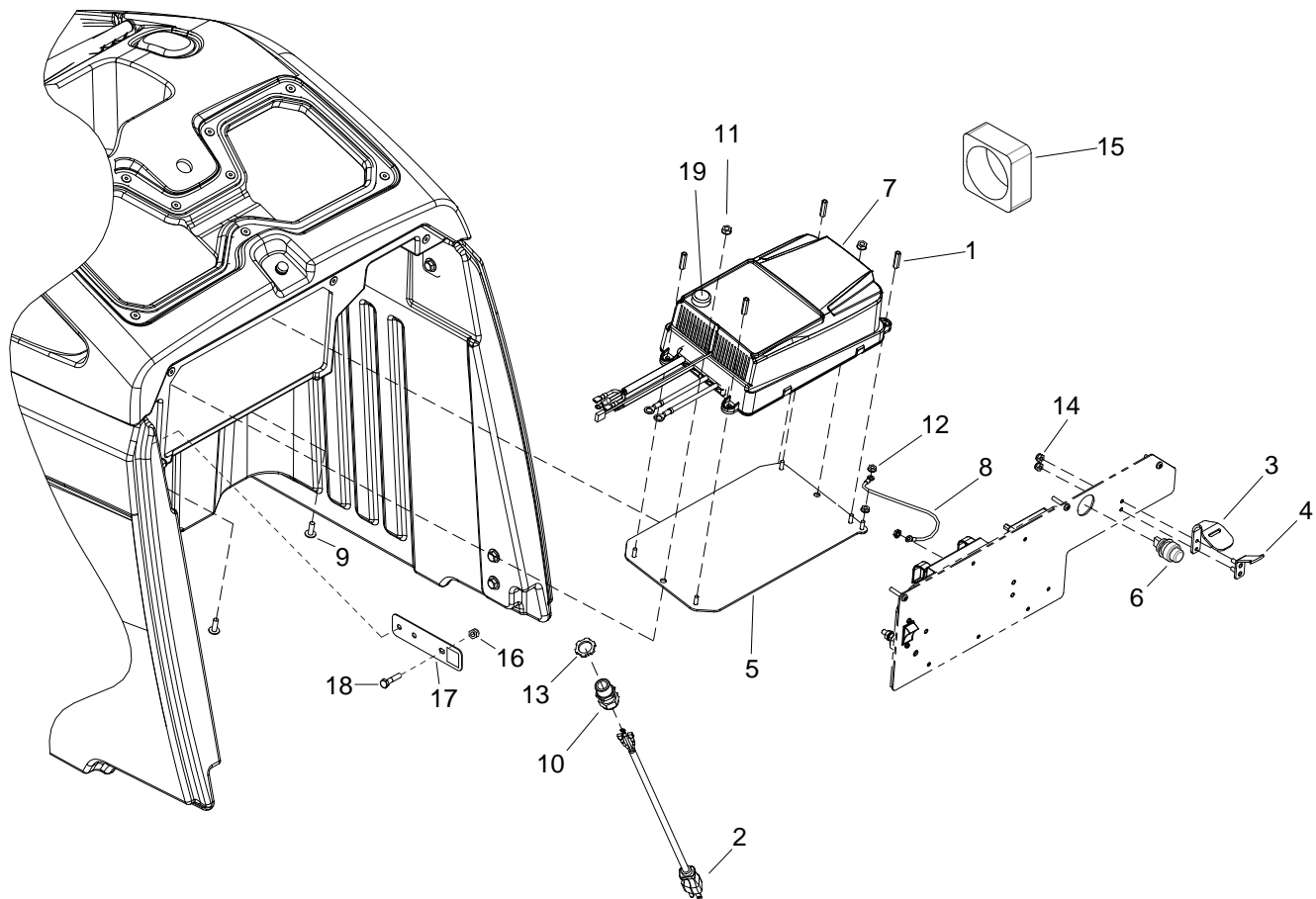
REF	PART NO.	QTY	DESCRIPTION	SERIAL NO. FROM	NOTES
1	64290380	1	FLOWMETRE		
2	86364390	1	PUMP, CHEMICAL DOSING		
-	40354760	1	HOSE KIT REPLACEMENT		
3	86363990	1	BRKT, CHEMICAL PUMP		
4	86363980	1	HOSE, 5/8ID X .12W CLR X 25"		
5	86363950	1	HOSE, 1/2ID WIREBOUND X 6.25"		
6	86363940	1	PAD, CHEMICAL PUMP		
7	86371740	1	HOSE, 3/16ID X 5/16OD X 24, CLR		
8	86401590	1	HOSE, 3/16ID X 5/16OD X 47, CLR		
9	86363880	1	CAP, 70MM DISPENSING, FLTR, BLK		
10	86362850	1	O-RING, .86 ID X .14 W, BUNA-N		
11	86362840	1	FTG, 1/2 MPT X 1/2 CONDUIT, NYL		
12	86361690	1	VALVE, 36V SOL, 1/2 BARB, MC		
13	86006520	2	SCR, 8-32 X 3/8 PPHMS SS		
14	86361230	1	CLAMP, PAN 3/4"		
15	86359010	1	CHEMICAL BOTTLE		
16	86271850	1	NUT, 1/2 NPT PLASTIC		
17	86264930	1	CABLE TIE, 3.5" UL/CSA		
18	86233150	6	CLAMP, 3/8 WORM GEAR		
19	86197940	1	HOSEBARB, 3/8 MPT X 1/2 HOSE 90		
20	86006580	1	SCR, 1/4-20 X 1/2 PPHMS SS DL		
21	86370840	1	HOSE, 1/2ID WIREBOUND X 9.25"		
22	86302770	1	HOSE, 1/2ID WIREBOUND X 14"		
23	54433750	1	HOSE STEM		
24	63621700	1	O-RING SEAL 11,3 X 2,4-NBR 70		
25	86402240	1	GASKET, 2.66OD X .06 THICK		
26	86402340	2	CLAMP, HOSE, .38 BAND		
-	86369920	-	CAP, STORAGE, 70 MM		
-	86370450	-	KIT, CHEMICAL BOTTLE 3-PACK		

Control Panel - Chemical Solution Metering



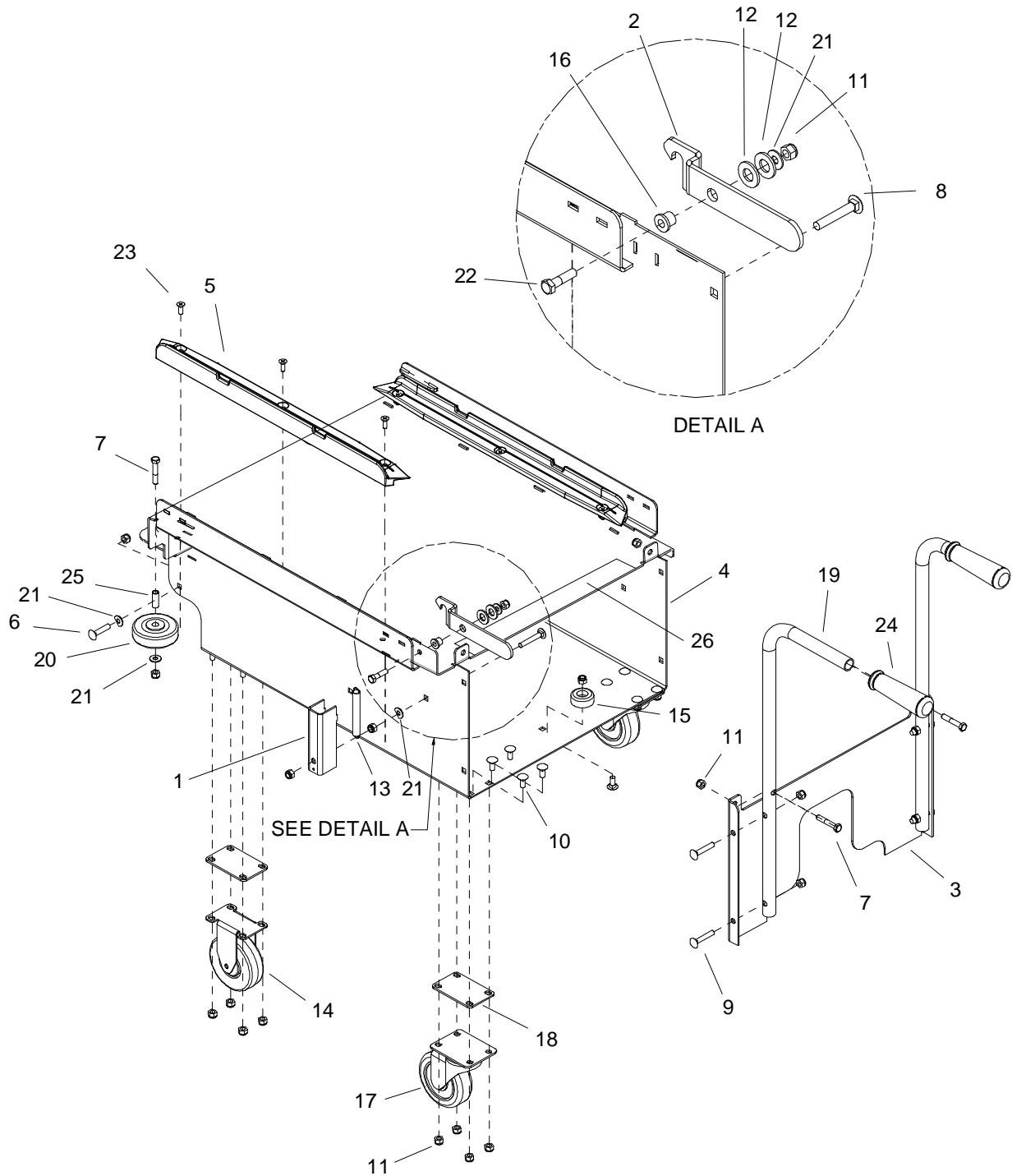
Control Panel - Chemical Solution Metering

REF	PART NO.	QTY	DESCRIPTION	SERIAL NO. FROM	NOTES
1A	86370780	1	KIT, PICDUO CONTROLLER		DISK
1B	86370510	1	PICDUO ASSEMBLY, MC, CS26SP		CYLINDRICAL
2	53217380	1	KNOB, SELECTION		
3	86361870	1	CONTROLLER, I-DRIVE CS26		
4	86361520	4	CLIP, CABLE ENTRY		
5	86361420	1	HINGE, PANEL		
6	86360890	1	GASKET, .125 X .31 X 23.6		
7	86360880	1	COVER, CONTROL BOARD		
8	86360870	1	PANEL, LOWER, MC, CS26		
9	86360280	1	BRKT, CONTROLLER		
10	86358440	2	O-RING, 4MM ID, 1.5MM THK, BUNA-N		
11	86358430	2	SCR, M4X12, FHMS, ISO7046, SS NP		
12	86354870	1	SWITCH, ROTARY		
13	86354810	1	GASKET, ROTARY SWITCH		
14	86354560	1	BEZEL, ROTARY SWITCH		
15	86369020	1	BREAKER, 60A 2-POLE		
16	86006620	2	SCREW, 6-32-1/4 PPHMS SS		
17	86295200	1	ASM, BUTTON, BLACK, W/BEZEL		
18	86292780	1	SWITCH, MICRO		
19	63130140	1	SPRING ELEMENT		
20	86275260	2	SCR, 4-40 X 1/2 PPHMS		
21	86005640	2	NUT, 10-32 HEX NYLOCK		
22	86270920	6	NUT, 6-32 HEX NYLOCK SS		
23	86255910	1	STANDOFF, 1/4-20 X 1.0 HEX INS		
24	86255900	4	STANDOFF, 6-32 X 5/8 HEX NYL		
25	86006850	1	SCR, 1/4-20 X 1.25 SSSCU		
26	86005710	2	NUT, 1/4-20 HEX W/STAR		
27	86006760	1	SCREW, 5/16-18 X .75 HHCS GR5 ZNPLT NP		
28	86369480	1	BRKT, CABLE ATTACHMENT		
29	86271910	1	NUT, 5/16-18 FLEX LK STL GRA CDPLT		



REF	PART NO.	QTY	DESCRIPTION	SERIAL NO. FROM	NOTES
1	86366080	4	STANDOFF, 10-32 X 1.0, NYL		
2	86363800	1	CORD ASM, 16/3 SJT X 6FT BLK		
3	86361440	1	STRAP, CORD		
4	86361430	1	BRKT, CORD		
5	86361090	1	PLATE, OBC MOUNT		
6	86361080	1	METER, SPE CHARGER		
7	86360460	1	CHARGER, SPE 36V 20A CBHF2		
8	86307990	1	WIRE, 10", GRN/14 76010 X 76010		
9	86277640	2	SCR, 1/4-20 X 3/4 PTHMS SS		
10	86256180	1	STRAIN RELIEF, 1/2 NPT (.48ID)		
11	86005710	2	NUT, 1/4-20 HEX W/STAR		
12	86005700	3	NUT, 10-32 HEX W/STAR		
13	86005670	1	NUT, 1/2 NPT CONDUIT		
14	86005640	2	NUT, 10-32 HEX NYLOCK		
15	86369470	1	COVER, OBC VENT		
16	86005810	1	NUT, 1/4-20 HEX NYLOCK SS		
17	86371560	1	PLATE, OBC LOCK		
18	86273740	1	SCREW, 1/4-20 X 1.5 HHCS SS		
19	86401250	1	FUSE, SPE CHRGR, 250VAC, 15A		

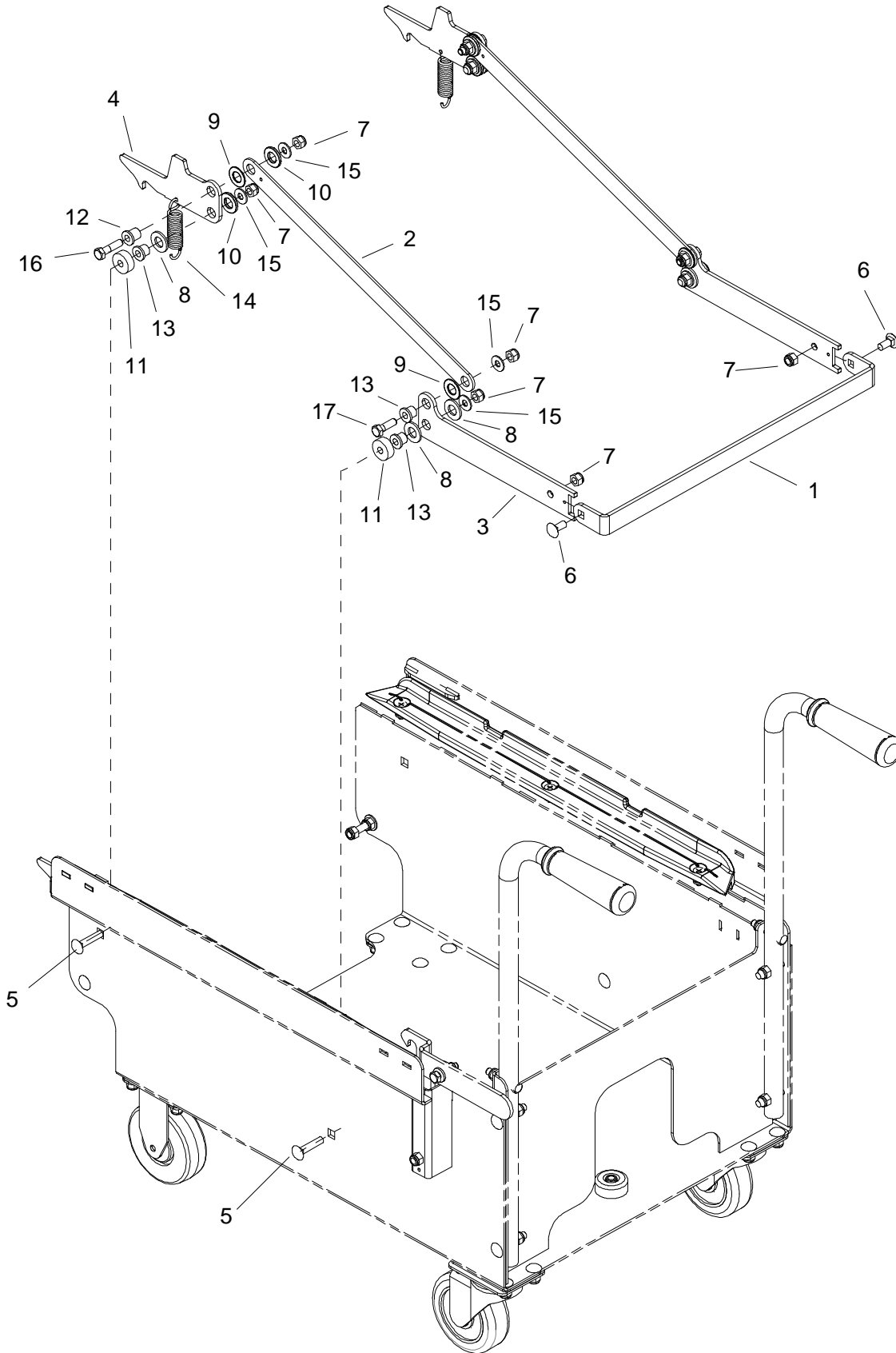
Battery Exchange - 1



REF	PART NO.	QTY	DESCRIPTION	SERIAL NO. FROM	NOTES
1	86359450	1	BRACKET, SPRING COVER, CART		
2	86359400	1	BRKT, TRAY CATCH		
3	86359390	1	BRACKET, BACK, CART		
4	86359380	1	ASM, FRAME, BATTERY CART		
5	86358190	2	GLIDE, BATTERY TRAY		
6	86277470	2	SCR, 5/16-18 X 1.5 CARRIAGE SS		
7	86276790	4	SCR, 5/16-18 X 1.75 HHCS SS		
8	86276710	1	SCR, 5/16-18 X 2.0 CARRIAGE		
9	86276690	4	SCR, 5/16-18 X 1.75 CARR SS		
10	86276070	17	SCR, 5/16-18 X 3/4 CARRIAGE SS		
11	86270830	32	NUT, 5/16-18 HEX NYLOCK SS		
12	86259420	2	WASHER, THRUST.51 ID X 1 ODBRO		
13	86254890	1	SPRING, EXT, .50D X 4.0L		
14	86232590	2	CASTER, PT20		
15	86231090	1	BUMPER, RUBBER 5/16" ID X 1.50		
16	86228840	1	BEARING, FLANGED .313ID X .502OD		
17	86199430	2	CASTER, SWIVEL 4" 250# CPCTY		
18	86078890	4	PLATE, CASTER SPACER		
19	86076600	2	HANDLE, BATTERY CART		
20	86011020	2	WHEEL, 3" DIA. CUSHION RUBBER		
21	86010670	6	WASHER, 5/16 X 3/4 SS		
22	86007020	1	SCR, 5/16-18 X 1.25 HHCS SS		
23	86400810	6	SCREW, 1/4-20 X .75 PHFLHMS SS	(4)*	
24	86004070	2	GRIP, POLISHER HANDLE		
25	86001350	2	BUSHING, SPANNER .435 X 1.10		
26	86244280	1	LABEL, BATTERY CART OPERATION		

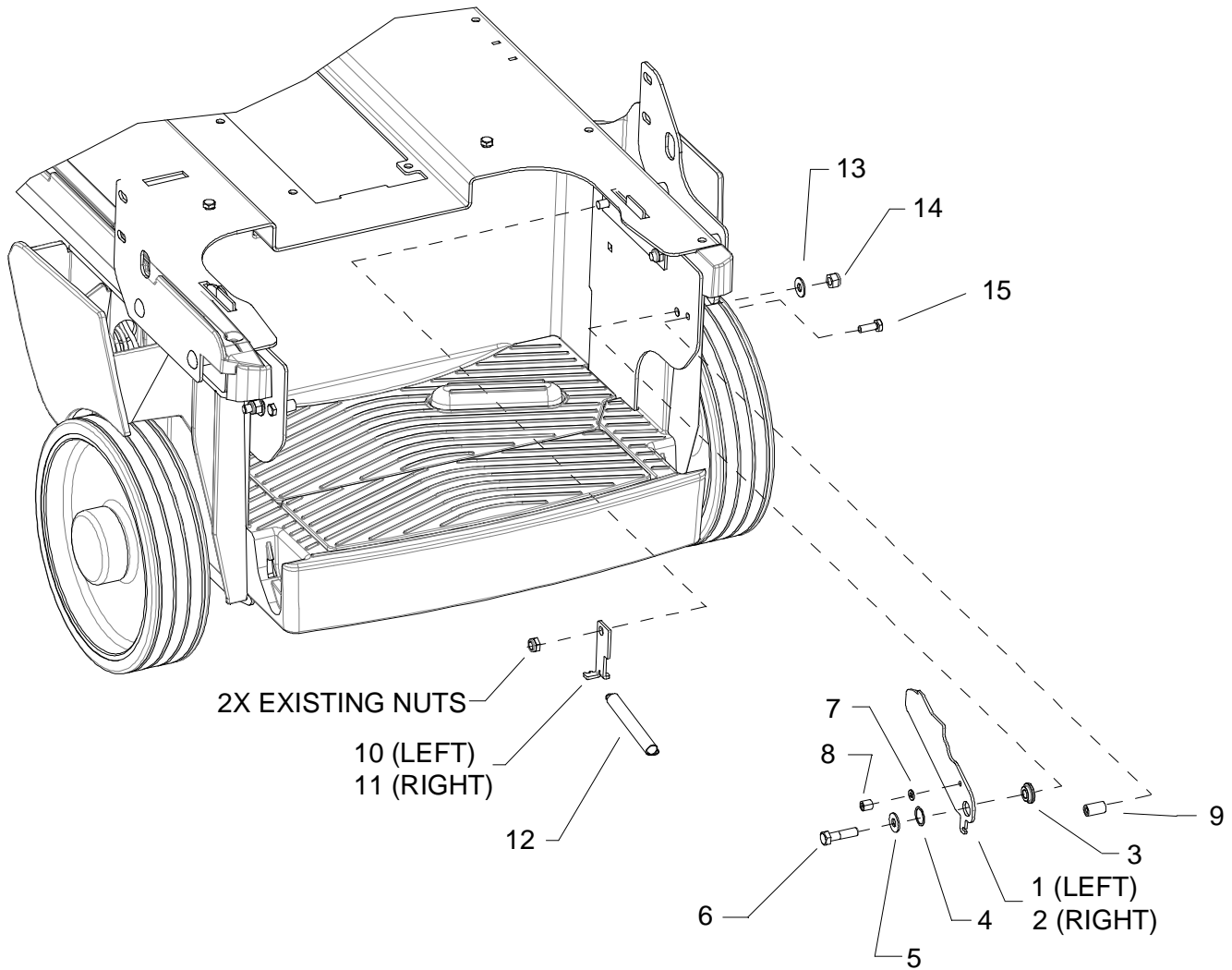
* SEE SERIAL NUMBER PAGE

Battery Exchange - 2



REF	PART NO.	QTY	DESCRIPTION	SERIAL NO. FROM	NOTES
1	86359440	1	BRACKET, PEDAL, CART		
2	86359430	2	PLATE, LATCH LINK, CART		
3	86359420	2	PLATE, PEDAL LINK, CART		
4	86359410	2	PLATE, LATCH, CART		
5	86277470	4	SCR, 5/16-18 X 1.5 CARRIAGE SS		
6	86276070	2	SCR, 5/16-18 X 3/4 CARRIAGE SS		
7	86270830	10	NUT, 5/16-18 HEX NYLOCK SS		
8	86259420	6	WASHER, THRUST.51 ID X 1 ODBRO		
9	86259410	4	WASHER, THRUST .51 ID X1ODX.063		
10	86259400	4	WASHER, THRUST .51 ID X 1 ODBRO		
11	86254280	4	SPACER,1.00 OD X .32 ID X .375		
12	86231150	2	BEARING FLANGED .314IDX.502OD		
13	86228840	6	BEARING, FLANGED .313IDX.502OD		
14	86226830	2	SPRING, EXT. 1.00 OD X 4.0 L		
15	86010670	8	WASHER, 5/16 X 3/4 SS		
16	86007020	2	SCR, 5/16-18 X 1.25 HHCS SS		
17	86006560	2	SCR, 5/16-18 X 1.00 HHCS SS		

Battery Exchange - 3



REF	PART NO.	QTY	DESCRIPTION	SERIAL NO. FROM	NOTES
1	86360040	1	BATTERY STOP, LEFT		
2	86360050	1	BATTERY STOP, RIGHT		
3	86319670	2	SLEEVE, BEARING		
4	86363760	2	PLATE, SHIM .030" THIC		
5	86010670	2	WASHER 5/16 FLAT SS		
6	86007020	2	SCREW, 5/16-18 X 1.25 HHCS SS NP		
7	86279190	2	WASHER, 10 FLT TYPEB FLT ZNPLT		
8	86360090	2	STANDOFF, RND, 3/8 OD, 10-32 X3/8		
9	86298200	2	STANDOFF, .43 OD, 1/4-20 X.75 L		
10	86360060	1	BRKT, SPING MOUNT, LT		
11	86360070	1	BRKT, SPRING MOUNT, RT		
12	86254890	2	SPRING EXT, .50 D X 4.0 L		
13	86010670	2	WASHER 5/16 FLAT SS		
14	86270830	2	NUT, 5/16-18 HEX NYLOCK S		
15	86273780	2	SCREW, 1/4-20 X .75 HHCS SS NP		

Suggested Spare Parts

PART NO.	DESCRIPTION	SERIAL NO. FROM	NOTES
86161800	LATCH & CONCEALED KEEPER		
86362390	CASTER, SWIVEL 2" WHEEL		
86359580	BLADE, SQUEEGEE, FRONT		
86359570	BLADE, SQUEEGEE, REAR		
86359590	WHEEL, 2.0 OD X .31 ID X .875 GRY		
86360270	GASKET, .188 X .31 X 22.8		
86360990	HOSE, 1.5 BLK VAC X 40"		
86280990	HOSE, VAC EXHAUST X 24"		
86312920	GASKET, VAC MOTOR		
86353950	HOSE, SOLUTION DRAIN		
86354270	HOSE, RECOVERY DR		
86361590	FLEX STRIP BRUSH, 26" SKIRT		
86361670	BLADE, AQUAMIZER, RH		
86361680	BLADE, AQUAMIZER, LH		

REF. NO.	MODEL: SERIAL #
1	10061500000095, 10061510000060, 10061580000030, 10061590000051
2	10061500000389, 10061510000257, 10061580000072, 10061590000136
3	10061520000028, 10061530000047, 10061600000006, 10061610000025
4	10061500000591, 10061510000450, 10061520000032, 10061530000050, 10061580000130, 10061590000182, 10061600000006, 10061610000026
5	10061500000603, 10061510000464, 10061520000035, 10061530000053, 10061580000136, 10061590000188, 10061600000006, 10061610000026