

Chariot® 3



iExtract 26 Duo

Operating Instructions (ENG)

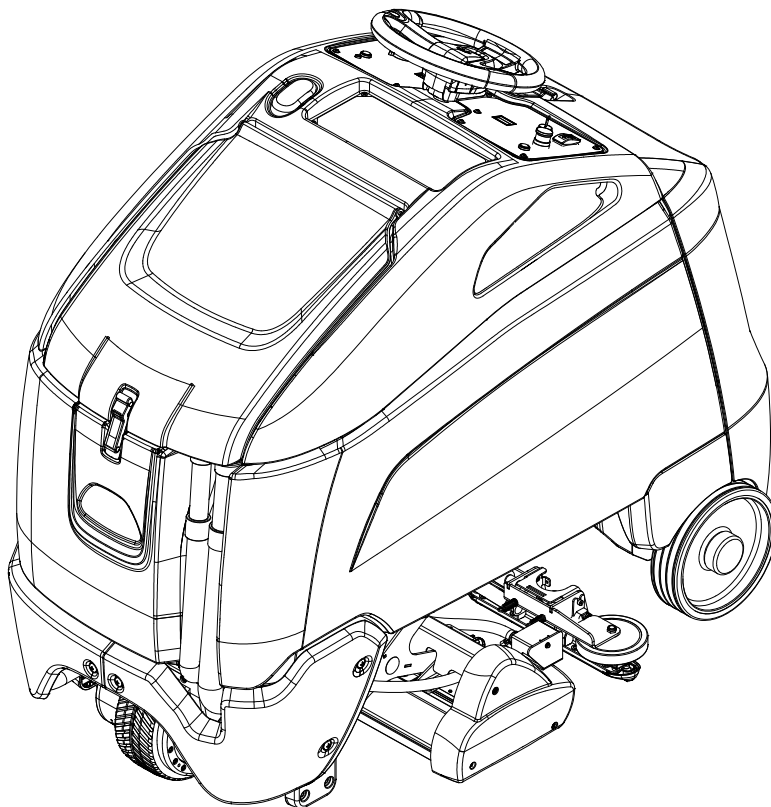
MODELS:

CE26
10061670

CEC26
10061680

CEO26
10061780

CECO26
10061790



**Prior to Serial Number (Ref No. 7*)
See Serial number page or call
manufacturer.**

Read these instructions before using the machine.



Model: _____

Date of Purchase: _____

Serial Number: _____

Dealer: _____

Address: _____

Phone Number: _____

Sales Representative: _____

Overview

The **Chariot® iExtract® 26 Duo** is a battery powered, self-propelled Carpet Extractor intended for commercial use. The machine is a dual mode; interim and deep extraction carpet machine. Interim mode applies solution at a low flow rate agitated by the counter-rotating brushes with no solution recovery. Deep extraction applies solution at a high flow rate agitated by counter-rotating brushes and recovered by the dual vacuum shoes.

The machine is designed to apply a cleaning solution onto carpeted floor, and scrub the carpet with two counter-rotating brushes, then vacuum the soiled water back into the recovery tank.

Warranty Registration

Thank you for purchasing a Windsor product. Warranty registration is quick and easy. Your registration will allow us to serve you better over the lifetime of the product.

To register your product go to :
www.windsorind.com/WarrantyRegistration.aspx

For customer assistance:
1-800-444-7654



Machine Data Log/Overview2
Table of Contents3
How To Use This Manual4

Safety

IMPORTANT SAFETY INSTRUCTIONS5
HAZARD INTENSITY LEVEL7
Safety Label Locations9

Operations

Technical Specifications10
How This Machine Works12
Components13
Drive Controls15
Scrub Controls18
Pre-Run Machine Inspection20
Starting Machine20
Emergency Stop Procedures20
Filling Solution Tank20
Normal Scrubbing21
To Begin Scrubbing22
To Stop Scrubbing22
Emptying and Cleaning Tanks23
Solution Tank23
Vacuum Shoes24
To Operate Off-Aisle Cleaning Option25

Maintenance

Service Schedule27
Batteries28
Charging Batteries30
Changing Batteries32
Battery Charger Programming33
Vacuum Shoes34
Vacuum Shoes35
Vacuum Shoe Removal and Cleaning35
Vacuum Shoe Lift Actuator Removal/Replacement35
Brush Deck36
Scrub Brush Removal37
Remove Brush Deck38
Replace Brush Deck Motor38
Scrub Deck Actuator Removal/Replacement38
Replace Pump - Off-Aisle Option38
Brush Motor Carbon Brush Replacement39
Solution40
Vacuum42
Recovery Tank Float Shut-off43
To Repair or Replace Vacuum Motors43
Drive Motor44
Electric Parking Brake Engagement45
Drive Motor Carbon Brush Replacement45
Transporting46

Circuit Protection47
Troubleshooting48
Controller Fault Codes50

Parts

Brush Deck 152
Brush Deck 254
Brush Deck Lift56
Brush Deck Mounting58
Brush Deck Drive60
Bumper62
Console64
Console Mounting66
Control Panel - Upper68
Control Panel - Lower70
Control Panel - Lower with Off-Aisle - For Models
10061780 & 1006179072
Controls Panel Mounting74
Controller76
Decals78
Drive Mounting80
Frame82
Platform84
Platform Footbox & Rear Wheels86
Rear Cover88
Recovery90
Solution System92
Solution System - Pump - Off-Aisle - For Models
10061780 & 1006179094
Steering96
Tank98
Vacuum Shoe Lift100
Vacuum Shoe Mounting102
Vacuum Shoe104
Vacuum106
Wiring - Batteries108
Wiring - Components110
Wiring 1112
Wiring 2 - From Serial Number (6*)114
Wiring 2 - Prior to Serial Number (6*)116
Wiring 3118
Wiring 4120
Wiring 5122
Wiring 6124

Options

Onboard Charger128
Battery Exchange - 1130
Battery Exchange - 2132
Battery Exchange - 3134
Pump - Off-Aisle - For Models 10061670 & 10061680
(4*)136
Suggested Spare Parts138

How To Use This Manual

This manual contains the following sections:

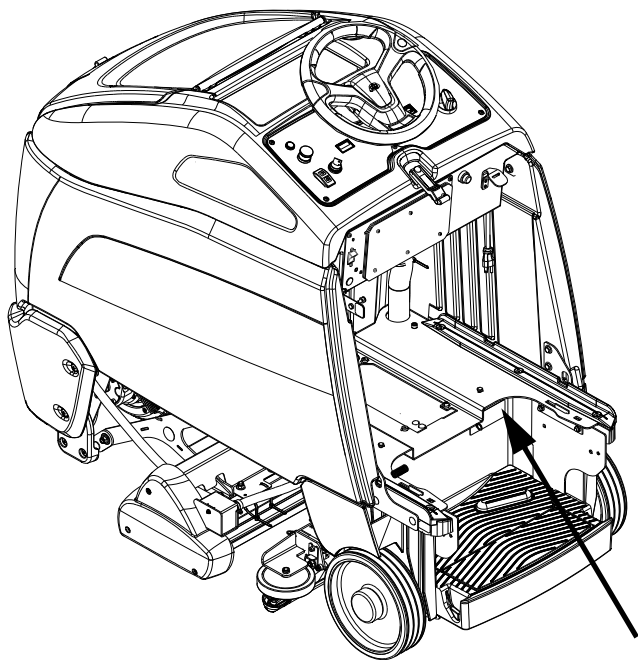
- How to Use This Manual
- Safety
- Operations
- Maintenance

The HOW TO USE THIS MANUAL section will tell you how to find important information for ordering correct repair parts.

Parts may be ordered from authorized dealers. When placing an order for parts, the machine model and machine serial number are important. Refer to the MACHINE DATA box which is filled out during the installation of your machine. The MACHINE DATA box is located on the inside of the front cover of this manual.

Model:	_____
Date of Purchase:	_____
Serial Number:	_____
Dealer:	_____
Address:	_____
Phone Number:	_____
Sales Representative:	_____

The model and serial number of your machine is located on the back of the machine.



The SAFETY section contains important information regarding hazardous or unsafe practices of the machine. Levels of hazards are identified that could result in product damage, personal injury, or severe injury resulting in death.

The OPERATIONS section is to familiarize the operator with the operation and function of the machine.

The MAINTENANCE section contains preventive maintenance to keep the machine and its components in good working condition. They are listed in this general order:

- Service Schedule
- Batteries
- Brush Deck
- Solution Strainer & Pump
- Vacuum & Float Shut-Off
- Drive Motor & Brake
- Troubleshooting

The PARTS LIST is available from manufacturer and contains assembled parts illustrations and corresponding parts list. The parts lists include a number of columns of information:

- **REF** – column refers to the reference number on the parts illustration.
- **PART NO.** – column lists the part number for the part.
- **QTY** – column lists the quantity of the part used in that area of the machine.
- **DESCRIPTION** – column is a brief description of the part.
- **SERIAL NO. FROM** – If this column has an (*) and a Reference number, see the SERIAL NUMBERS page in the back of your manual. If column has two asterisk (**), call manufacturer for serial number. The serial number indicates the first machine the part number is applicable to. The main illustration shows the most current design of the machine. When a boxed illustration is shown, it displays the older design.
- **NOTES** – column for information not noted by the other columns.

NOTE: If a service or option kit is installed on your machine, be sure to keep the KIT INSTRUCTIONS which came with the kit. It contains replacement parts numbers needed for ordering future parts.

NOTE: The manual part number is located on the lower left corner of the front cover.

IMPORTANT SAFETY INSTRUCTIONS

When using this machine, basic precaution
must always be followed, including the following:

READ ALL INSTRUCTIONS BEFORE USING THIS MACHINE.

⚠ WARNING: To reduce the risk of fire, electric shock, or injury:

Use only indoors. Do not use outdoors or expose to rain.

Use only as described in this manual. Use only manufacturer's recommended components and attachments.

If the machine is **not working properly**, has been dropped, damaged, left outdoors, or dropped into water, return it to an authorized service center.

Do not operate the machine with any openings blocked. Keep openings free of debris that may reduce airflow.

This machine **is not** suitable for picking up hazardous dust.

Machine can cause a fire when operating near flammable vapors or materials. Do not operate this machine near flammable fluids, dust or vapors.

This machine is suitable for commercial use, for example in hotels, schools, hospitals, factories, shops and offices for more than normal housekeeping purposes.

Maintenance and repairs **must be done** by qualified personnel.

If foam or liquid comes out of machine, **switch off immediately**.

Disconnect battery before cleaning or servicing.

Before the machine is discarded, the batteries **must be removed** and properly disposed of.

Make sure all warning and caution labels **are legible and properly attached** to the machine.

During operation, attention shall be paid to other persons, especially children.

Before use all covers and doors shall be put in the positions specified in the instructions.

When leaving unattended, secure against unintentional movement.

The machine shall only be operated by instructed and authorized persons.

When leaving unattended, switch off or lock the main power switch to prevent unauthorized use.

Only chemicals recommended by the manufacturer shall be used.

This appliance has been designed for use with the brushes specified by the manufacturer. The fitting of other brushes may affect its safety.

Do not use on surfaces having a gradient of over 10% (6 degrees).

READ AND SAVE THESE INSTRUCTIONS

MESURES DE SÉCURITÉ IMPORTANTES

Lors de l'utilisation d'un appareil à batteries, il est nécessaire de respecter systématiquement des mesures de sécurité de base, comme suit:

PRENEZ NOTE DE TOUTES CES MESURES AVANT D'UTILISER CETTE MACHINE.

⚠ AVERTISSEMENT: Pour réduire les risques d'incendie, de chocs électriques, ou de blessures:

N'utiliser cette machine qu'en intérieur. Ne jamais l'utiliser à l'extérieur ou dans la pluie.

N'utiliser cette machine que comme décrit dans le présent manuel. N'utiliser que les composants et les accessoires conseillés par le fabricant.

Lorsque la machine ne fonctionnant pas correctement, a fait l'objet d'une chute ou d'une détérioration, a été laissée à l'extérieur, est tombée dans l'eau, la retourner au centre de service agréé.

Ne pas opérer la machine lorsque les conduits de ventilation sont bloqués. Débarrasser les débris des conduits, car ils peuvent réduire l'écoulement d'air.

Cette machine n'est pas adaptée au ramassage de poussières dangereuses

Cette machine peut provoquer un incendie lorsqu'elle est utilisée près de vapeurs ou de matériaux inflammables. Ne pas l'utiliser près de liquides, de poussières ou de vapeurs inflammables.

Cette machine est destinée à un usage commercial. Elle est recommandée davantage pour les domaines hôtelier, scolaire, hospitalier, industriel ou pour les bureaux, les chaînes de magasin, que pour un usage domestique normal.

L'entretien et les réparations de la machine doivent être effectuées par un personnel qualifié.

Si de la mousse ou du liquide sort de la machine, la mettre hors tension immédiatement.

Déconnecter les batteries avant de nettoyer la machine ou de la soumettre à un entretien.

Avant de se débarrasser de la machine, il est nécessaire de retirer les batteries et de les jeter correctement.

S'assurer que toutes les plaques d'avertissement ou de précaution sont lisibles et fixées correctement sur la machine.

Durant la manoeuvre de la machine, prendre garde aux personnes environnantes et notamment aux enfants.

Avant l'utilisation de la machine, veiller à positionner tous les couvercles et portes comme indiqué dans les instructions.

Lorsque la machine est laissée sans surveillance, s'assurer qu'elle ne se déplace pas de manière accidentelle.

Cette machine ne doit être manoeuvrée que par un personnel expérimenté et qualifié.

Lorsque la machine est laissée sans surveillance, la mettre hors tension ou verrouiller l'interrupteur principal afin d'empêcher un emploi non autorisé.

Seuls les produits chimiques recommandés par le fabricant doivent être utilisés.

Cette machine a été conçue pour être utilisée avec des brosses spécifiées par le fabricant.

L'utilisation d'autres brosses peut affecter sa sûreté.

N'employez pas sur des surfaces ayant un gradient de plus de 10% (6 degrés).

CONSERVER CES INSTRUCTIONS

The following symbols are used throughout this guide as indicated in their descriptions:

HAZARD INTENSITY LEVEL

There are three levels of hazard intensity identified by signal words -**WARNING** and **CAUTION** and **FOR SAFETY**. The level of hazard intensity is determined by the following definitions:

WARNING:

WARNING - Hazards or unsafe practices which **COULD** result in severe personal injury or death.

CAUTION:

CAUTION - Hazards or unsafe practices which could result in minor personal injury or product or property damage.

FOR SAFETY: To Identify actions which must be followed for safe operation of equipment.

Report machine damage or faulty operation immediately. Do not use the machine if it is not in proper operating condition. Following is information that signals some potentially dangerous conditions to the operator or the equipment. Read this information carefully. Know when these conditions can exist. Locate all safety devices on the machine. Please take the necessary steps to train the machine operating personnel.

FOR SAFETY:

DO NOT OPERATE MACHINE:

Unless Trained and Authorized.

Unless Operation Guide is Read and understood.

In Flammable or Explosive areas.

In areas with possible falling objects.

WHEN SERVICING MACHINE:

Avoid moving parts. Do not wear loose clothing; jackets, shirts, or sleeves when working on the machine. Use Windsor approved replacement parts.

WARNING:

Batteries emit hydrogen gas. Explosion or fire can result. Keep sparks and open flame away. Keep battery compartment open during charging. Keep sparks and flames away from the batteries. Do not smoke around batteries.

WARNING:

Disconnect batteries before working on machine. Only qualified personnel should work inside machine. Always wear eye protection and protective clothing when working on or near batteries. Avoid skin contact with the acid contained in the batteries.

WARNING:

Never allow metal to lie across battery tops.

Les symboles ci-dessous sont utilisés à travers ce manuel comme illustré dans leurs descriptions:

DEGRÉS DE RISQUES EN CAS DE DANGER

Il existe trois degrés de risques identifiés par les termes signalétiques -AVERTISSEMENT et ATTENTION et POUR VOTRE SÉCURITÉ. Le degré de risque est défini de la manière suivante:

⚠ AVERTISSEMENT:

AVERTISSEMENT - Dangers ou méthodes dangereuses qui POURRAIENT provoquer de graves blessures ou entraîner la mort.

⚠ ATTENTION:

ATTENTION - Dangers ou méthodes dangereuses qui pourraient provoquer des blessures légères ou une détérioration du produit ou des biens immobiliers.

POUR VOTRE SÉCURITÉ: ce signe permet d'identifier les mesures de précaution à prendre pour assurer un bon fonctionnement du matériel.

Rendre compte immédiatement d'une défaillance ou d'une détérioration de la machine. Ne pas utiliser la machine si celle-ci ne fonctionne pas correctement. Lire soigneusement les informations ci-dessous signalant certains dangers potentiels pour l'opérateur de la machine. L'opérateur doit être absolument au courant de ces dangers potentiels. Localiser tous les dispositifs de sécurité sur la machine. Il est conseillé de prendre les mesures nécessaires pour former le personnel opérateur.

POUR VOTRE SÉCURITÉ:

NE PAS MANOEUVRER LA MACHINE:

Lorsqu'on n'est pas expérimenté ou qualifié.

Lorsque le guide d'utilisation n'est pas été lu ou compris.

Dans des zones inflammables ou explosives.

Dans des zones où des objets peuvent tomber.

LORS DE L'ENTRETIEN DE LA MACHINE:

Éviter les parties amovibles. Ne pas porter de vêtements amples, tels que des vestes, des chemises ou des vêtements avec manches lors de l'utilisation de la machine. Utiliser les pièces détachées Windsor homologuées.

⚠ AVERTISSEMENT:

Les batteries émettent le gaz d'hydrogène. L'explosion ou le feu peut résulter. Étincelles de subsistance et flamme nue loin. Compartiment de batterie de subsistance ouvert en chargeant. Étincelles et flammes de subsistance loin des batteries. Ne fumez pas autour des batteries.

⚠ AVERTISSEMENT:

Déconnecter les batteries avant de travailler sur la machine. La machine ne doit être confiée qu'à un personnel qualifié. Porter systématiquement des lunettes et des vêtements de protection lors d'une intervention sur les batteries ou aux alentours. Éviter tout contact de la peau avec l'acide contenu dans les batteries.

⚠ AVERTISSEMENT:

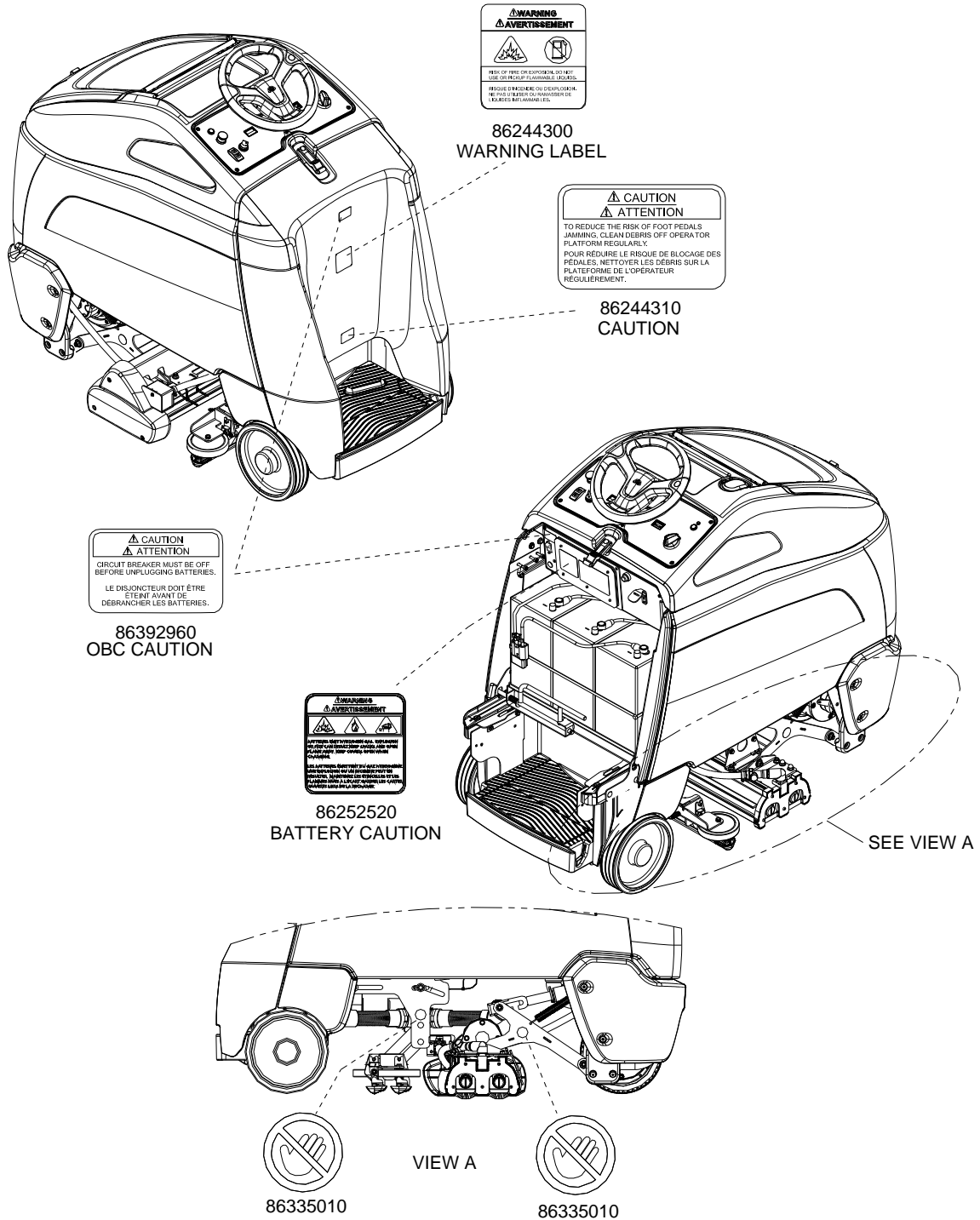
Ne jamais placer d'objets métalliques sur le dessus des batteries.

Safety Label Locations

These drawings indicate the location of safety labels on the machine. If at any time the labels become illegible, promptly replace them.

EMPLACEMENT DE L'ÉTIQUETTE DE SÉCURITÉ

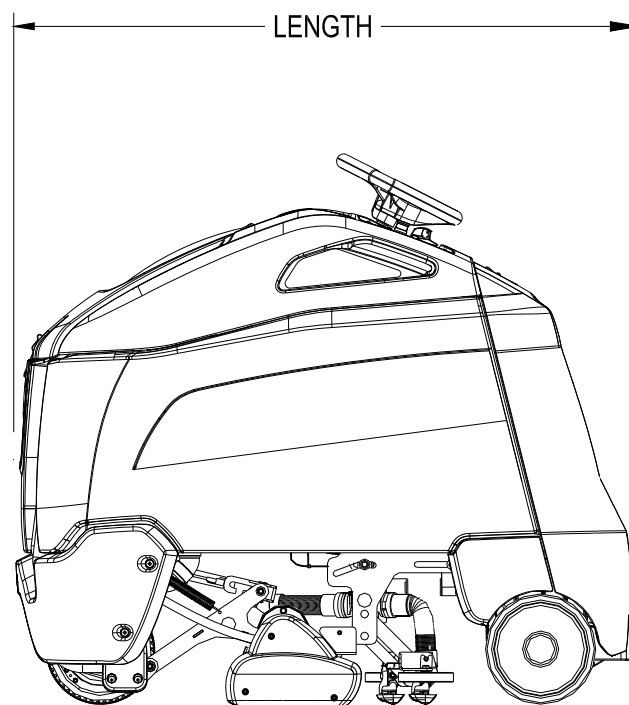
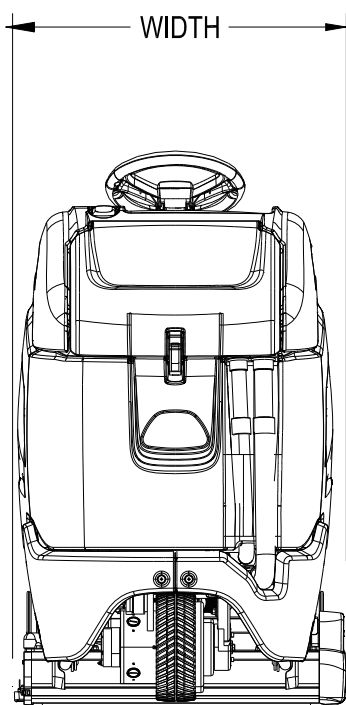
REMARQUE : Ces dessins indiquent l'emplacement des étiquettes de sécurité sur la machine. Si, à tout moment, les étiquettes deviennent illisibles, contactez votre représentant autorisé pour un remplacement rapide



Technical Specifications

ITEM	DIMENSION/CAPACITY
Nominal power	1944 W
Rated Voltage	36 Volts DC
Rated Amperage	54 amps
Batteries	3 X12 Volt 205-234 AH @ 20 hr. rate
Battery Compartment Dimensions	21 in. x 16 in. x 17 in. tall (533mm x 406mm x 432mm)
Brush Motor	.5 HP (373W)
Vacuum Motors	2 X .75 HP (560W)
Maximum flow rate of vacuum motors	78.0 cfm (36.8 liters per second)
Maximum suction of vacuum motors	71.8 inches of water (17.8 kPa)
Propelling Motor	.75 HP (600 W)
Mass (GVW)	Ev185A-A = 1226 lbs, (557 kg)
	J185H-AC = 1193 lbs. (542 kg)
	J185P-AC = 1151 lbs. (523 kg)
Weight empty without batteries	418 lbs (190 kg)
Solution Control	Variable with automatic shut-off in neutral
Solution capacity	25 gal (95 L)
Recovery capacity	27 gal (102 L)
Scrub brush diameter	4 inch (102 mm)
Scrub brush pressure	Floating
Brush speed	1025 rpm
Tires	10 in. (254mm) Solid scrubber compound rear, urethane front
Extracting speed 1	.5 mph (.8km/hour)
Extracting speed 2	1.0 mph (1.7 km/hour)
Foundation Pressure	134 psi (923 Kpa)
Maximum Speed	4.1 miles/hour (6.5 km/hour)
Frame Construction	Powder coated steel
Brake	Electrical parking brake,sets automatically whenever operator steps off platform or engages emergency stop.
Minimum aisle u-turn width	64 in. (1630 mm)
Maximum rated climb and descent angle	10% (6 degrees)
Sound Pressure Level	69.0 dBA

ITEM	MEASURE
Height	50.0 inches (1270 mm)
Length	56.1 inches (1425 mm)
Width	29.5 inches (749 mm)
Width of scrub path	26 inches (660mm)



⚠ CAUTION:

This appliance is not intended for use by persons (including children) with reduced physical, sensory or mental capabilities, or lack of experience and knowledge, unless they have been given supervision or instruction concerning use of the appliance by a person responsible for their safety. Children should be supervised to ensure that they do not play with the appliance.

⚠ AVERTISSEMENT:

Cet appareil n'est pas prévu à l'usage des personnes (enfants y compris) avec des possibilités physiques, sensorielles ou mentales réduites, ou le manque d'expérience et de connaissance, à moins qu'ils aient été donnés la surveillance ou l'instruction au sujet de l'utilisation de l'appareil par une personne chargée de leur sûreté. Des enfants devraient être dirigés pour s'assurer qu'ils ne jouent pas avec l'appareil.

How This Machine Works

The Chariot® iExtract® 26 is a battery powered, self-propelled Carpet Extractor intended for commercial use. The machine is a dual mode; interim and deep extraction carpet machine. Interim mode applies solution at a low flow rate agitated by the counter-rotating brushes with no solution recovery. Deep extraction applies solution at a high flow rate agitated by counter-rotating brushes and recovered by the dual vacuum shoes.

The machine is designed to apply a cleaning solution onto carpeted floor, and scrub the carpet with two counter-rotating brushes, then vacuum the soiled water back into the recovery tank. The machine's primary systems are the solution system, scrub system, recovery system, and operator control system.

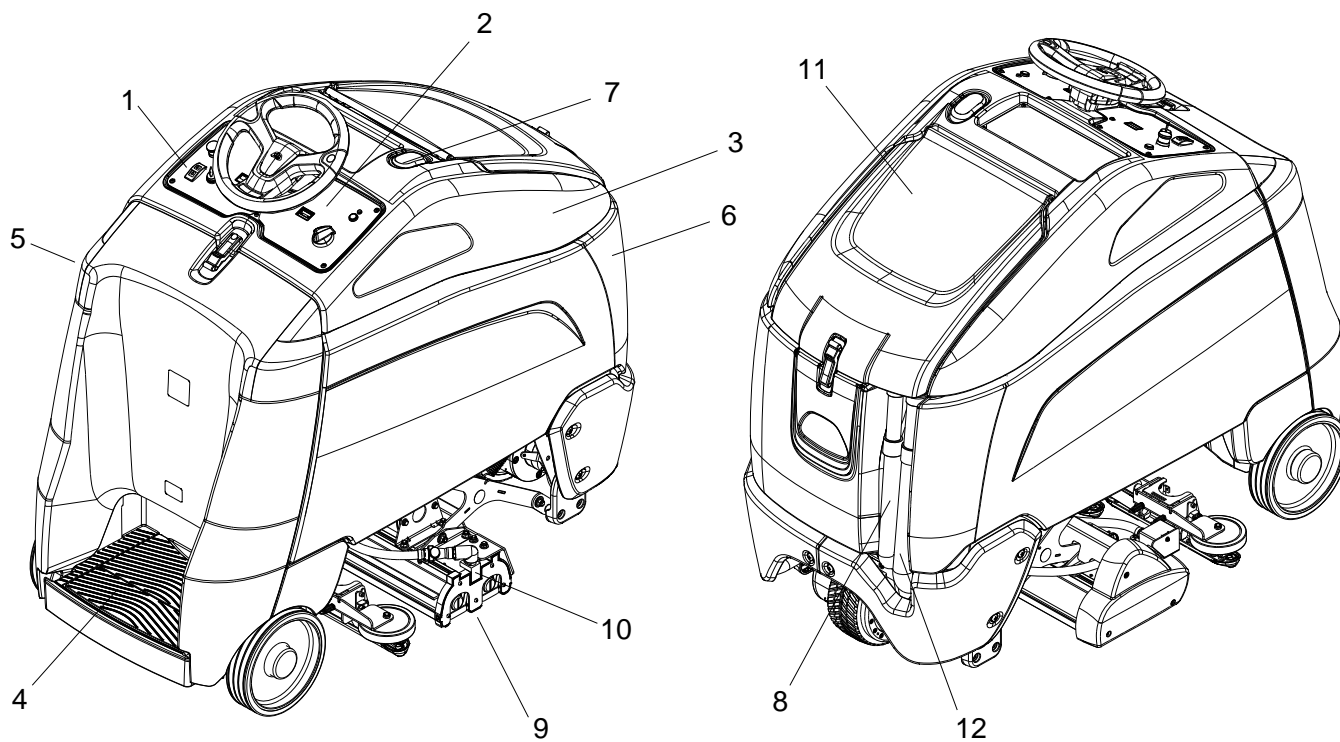
The function of the solution system is to store cleaning solution and deliver it to the scrub system. The solution system is gravity fed. The solution system consists of the solution tank, strainer, valve, manifold and controls. The solution tank stores cleaning solution (water and detergent) until it is delivered to the scrub system. The strainer protects the valve from debris. The strainer prevents debris from entering the supply lines, valve, and manifold. The valve automatically prevents solution flow unless the scrub brushes are turned on and the machine is being propelled.

The function of the scrub system is to scrub the carpet and lift and groom the carpet pile. The scrub system consists of two cylindrical counter-rotating brushes, a motor, lift actuator, and controls. The brushes scrub the carpet as the motor drives the brushes. The counter-rotating action of the brushes applies and agitates the solution into the carpet.

The function of the recovery system is to vacuum the soiled water back into the recovery tank. The recovery system consists of two vacuum shoes, two vacuum motors, float ball filter, and controls. The vacuum shoes extract the dirty solution from the carpet as the machine moves forward. The vacuum motors provide suction to draw the dirty solution off the carpet and into the recovery tank. The float ball filter protects the vacuum fan from debris and foam. The recovery tank stores the dirty solution.

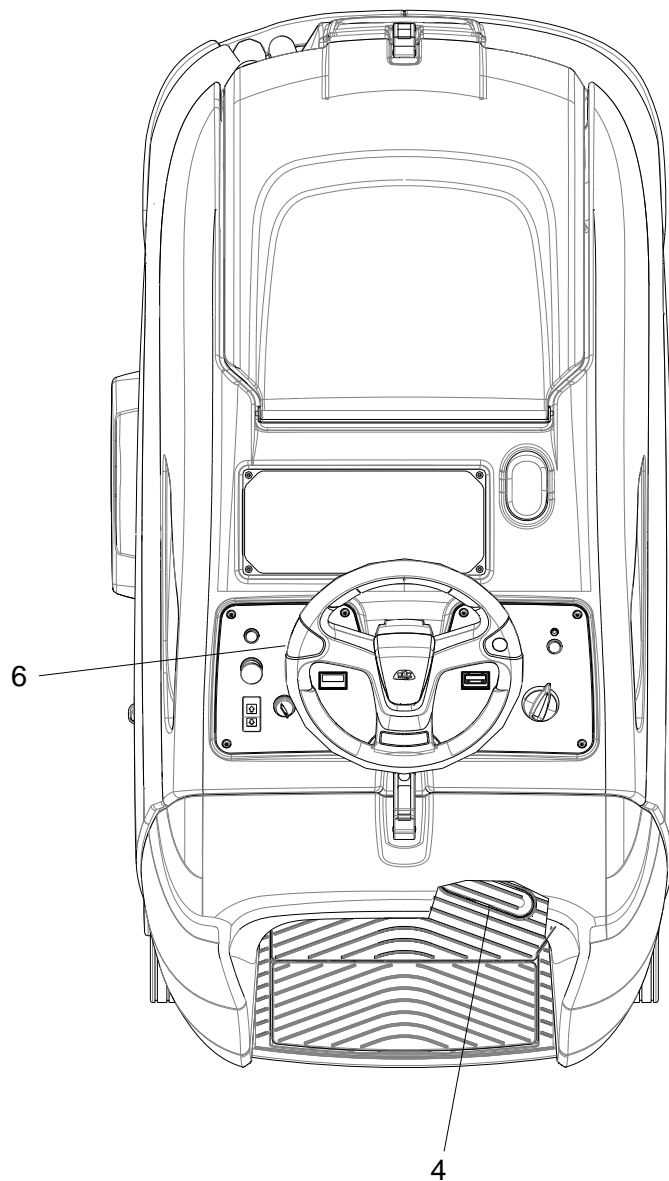
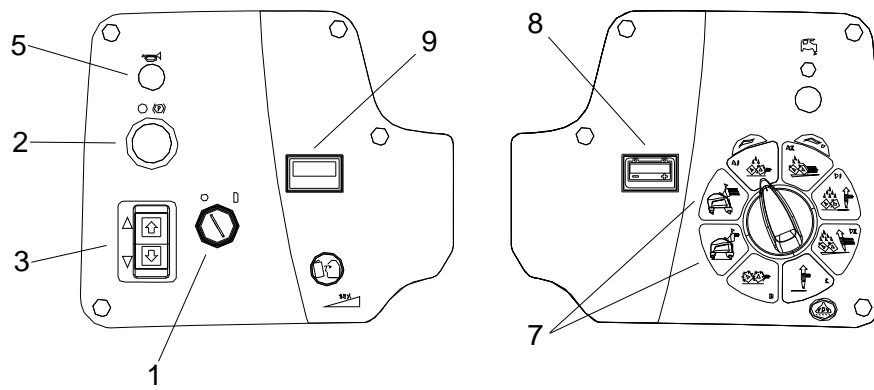
The function of the operator control system is to control the direction and speed of the machine. The directional control system consists of the direction control drive reset switch, throttle pedal, emergency stop/brake switch, steering wheel, propel controller, and drive wheel. The directional control drive reset switch signals forward or reverse direction and makes sure the operator is on platform before machine will propel. The controller interprets signals from the throttle pedal to command the drive wheel to propel or slow the machine. The steering wheel points the drive wheel in the direction desired by the operator. The parking brake automatically engages when the operator steps off the platform. The emergency stop/brake can be used to hold the machine on slopes.

NOTE: Impact to machine may cause damage.



Components

- | | |
|--------------------------|-------------------------|
| 1. Control Panel - Drive | 7. Recovery Sight Dome |
| 2. Control Panel - Scrub | 8. Solution Drain Hose |
| 3. Console | 9. Brush Deck |
| 4. Pedal Platform | 10. Solution Supply |
| 5. Rear Cover | 11. Recovery Lid |
| 6. Tank | 12. Recovery Drain Hose |



Drive Controls

1. **Key Switch**
2. **Emergency Stop/Brake Switch**
3. **Directional Control / Drive Reset Switch**
4. **Throttle Pedal**
5. **Horn Button**
6. **Steering Wheel**
7. **Speed Control**
8. **Battery Discharge Indicator**
9. **Hour Meter**

1. KEY SWITCH

Controls the power for machine functions.

To turn the machine power on, rotate key clockwise.

To turn the machine off, rotate key counterclockwise.

When the key is turned on the battery symbol will flash while the system runs self-diagnostics and returns scrub deck and squeegee to their raised positions, if necessary. The controller will not respond to other commands until this routine is complete.

2. EMERGENCY STOP/BRAKE SWITCH

This safety feature is designed to cut all power to the machine at any time and apply parking brake.

To shut the machine power off, push the Emergency Stop Switch, this will also engage the parking brake and cause the machine to stop immediately. Excessive emergency stop usage can cause premature brake wear; use only when necessary.

To reset the machine, rotate the switch clockwise.

3. DIRECTIONAL CONTROL / DRIVE RESET SWITCH

This safety feature is designed to ensure safe engagement of propel drive. Each time the machine power is turned on, or each time an operator steps on to the platform, the Drive Reset Switch must be pushed before machine will propel.

Controls the direction of travel of the vehicle. The lit arrow on the switch indicates direction of travel.

To travel forward, press the top of the switch.

To travel in reverse, press the bottom of the switch.

4. THROTTLE PEDAL

Controls the speed of the vehicle within the speed control setting selected. Pressing the pedal causes the machine to travel in the direction selected by the Directional Control Switch.

To increase speed, increase pressure on the pedal.

To decrease speed, decrease pressure on the pedal.

5. HORN BUTTON

The horn is activated by pressing the horn button.

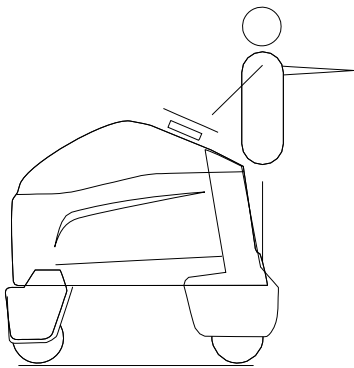
6. STEERING WHEEL

The steering wheel turns the front wheel causing the machine to change direction.

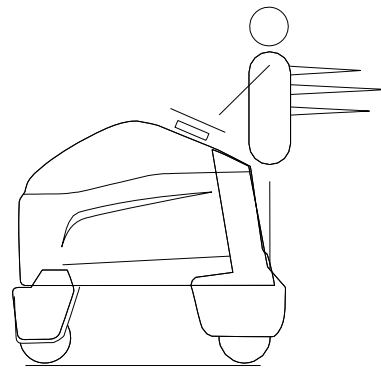
7. SPEED CONTROL

Controls the maximum speed of the machine. There are two transport settings, slow and fast.

To change speed, rotate the dial to either slow or fast position. The speed for fast and slow are as indicated on the control panel by the symbols shown below. The throttle pedal will always regulate the speed between 0 and maximum.



SLOW



FAST

8. BATTERY CHARGE LEVEL INDICATOR

Indicates the charge level of the batteries.

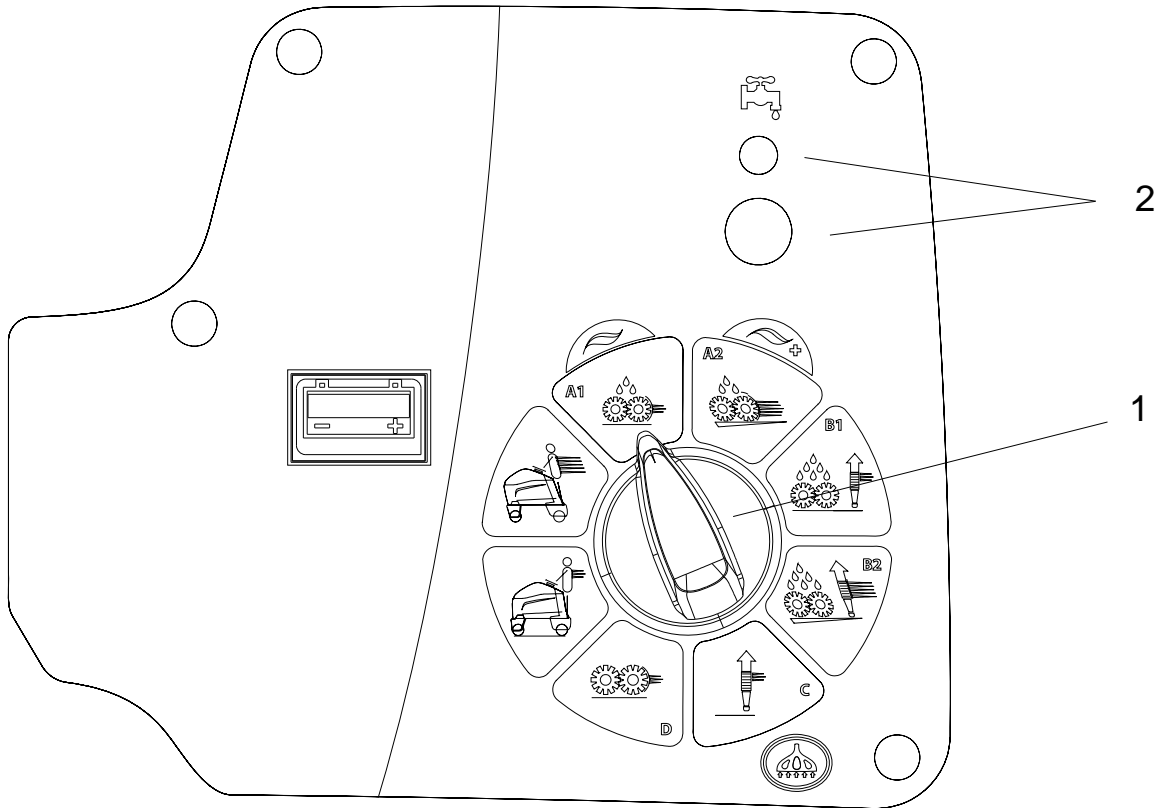
The meter display is divided into 10 bars. Bars illuminated on the far right indicate full charge. Bars flashing near the left side indicate the batteries should be recharged. Further operation of the machine could damage the machine or the batteries.

When the machine is left overnight with less than a full charge, the display may initially indicate a full charge. It will also indicate a full charge if the batteries are disconnected, then reconnected. After a few minutes of operation the meter will give the correct charge level.

9. HOUR METER

Records the number of hours the machine has been in scrubbing operation. This information is useful in determining when to service the machine.

Scrub Controls



1. Function Mode Dial

The first two positions are for transport only. See drive controls section.

A1-Interim Mode-Slow

This mode is used for interim cleaning. In this mode the machine will propel at slow speed. The brush deck will automatically lower to contact the floor. The water will flow at a low rate set by the controller. Water will automatically shut off in neutral and resume as machine propels forward. The vacuum shoes will remain off the floor and the vacuum motors will be off in this mode.

A2-Interim Mode-Fast

This mode is used for interim cleaning. In this mode the machine will propel at fast speed. The brush deck will automatically lower to contact the floor. The water will flow at a low rate set by the controller. Water will automatically shut off in neutral and resume as machine propels forward. The vacuum shoes will remain off the floor and the vacuum motors will be off in this mode.

B1-Deep Extraction-Slow

This mode is used for deep carpet extraction. In this mode the machine will propel at slow speed. The brush deck will automatically lower to contact the floor. The vacuum shoes will automatically lower to the floor and the vacuum motors will turn on. The water will flow at a high rate. Water will automatically shut off in neutral and resume as machine propels forward. The vacuum shoes will lift off the floor in reverse with the vacuum motors having a delayed shut off to clear the hoses.

B2-Deep Extraction-Fast

This mode is used for deep carpet extraction. In this mode the machine will propel at fast speed. The brush deck will automatically lower to contact the floor. The vacuum shoes will automatically lower to the floor and the vacuum motors will turn on. The water will flow at a high rate. Water will automatically shut off in neutral and resume as machine propels forward. The vacuum shoes will lift off the floor in reverse with the vacuum motors having a delayed shut off to clear the hoses.

C-Vacuum Only Mode

This mode is used for solution recovery. In this mode the machine will propel at fast speed. The brush deck will be up and the motor off. There will be no solution flow in this mode. The vacuum shoes will automatically lower to the floor and the vacuum motors will turn on. The vacuum shoes will lift off the floor in reverse with the vacuum motors having a delayed shut off to clear the hoses.

C-Off-Aisle Tool Mode (Wand/Hand Tool)

This mode is used for Off-Aisle tool use. The dial is set in the same position as the Vacuum Only Mode. Once the Off-Aisle tool button on the lower control panel is pushed, the machine will not propel. The vacuum motors and pump will come on and solution will flow.

D-Brush Only Mode

This mode is used for carpet agitation. In this mode the machine will propel at fast speed. The brush deck will automatically lower to contact the floor. There will be no solution flow in this mode. The vacuum shoes will remain off the floor and the vacuum motors will be off in this mode.

2. Solution Button and Indicator

The button enables and disables solution flow. When the green indicator is illuminated, solution flow is enabled.

Machine Operation

Pre-Run Machine Inspection

Do a pre-run inspection to find possible problems that could cause poor performance or lost time from breakdown. Follow the same procedure each time to avoid missing steps.

NOTE: Perform Pre-run Machine Check before operating machine. See Service Schedule in Maintenance Section.

Starting Machine

FOR SAFETY: Before starting machine, make sure that all safety devices are in place and operating properly.

1. The operator should be on the pedal platform. The throttle pedal must be in the neutral position.
2. Turn the machine power on by turning key switch clockwise to the "ON" position.
3. Press the Drive Reset Directional Control Switch to reset and set the intended direction for travel.
4. Press lightly on the throttle pedal with right foot.

Emergency Stop Procedures

1. Push in emergency stop button. This will also engage the parking brake and cause the machine to stop immediately.

Filling Solution Tank

FOR SAFETY: Before leaving or servicing machine; stop on level surface, turn off machine and remove key.

1. Turn the machine power off.
2. Remove solution cover.
3. Fill the solution tank with clean water, leaving enough room for the required amount of detergent. The solution tank capacity filled to fill inlet is 25 gallons (95 liters). The water must not be hotter than 140° F (60°C) to prevent damage to the tank.
4. Measure the chemical into the solution tank. The solution cover is also a 2 oz. (60 ml) measuring cup. Liquid chemicals should be added to the solution tank after filling with water. Dry chemicals should be thoroughly mixed before being added into solution tank. Commercially available, high alkaline floor cleaners, are suitable for use in the solution system.

NOTE: Read the chemical manufacturers recommended proportion instructions.

5. Replace solution tank cover.

⚠ WARNING:

Flammable materials can cause an explosion or fire. Do not use flammable materials in the tanks.

⚠ AVERTISSEMENT:

Les matières inflammables peuvent provoquer une explosion ou un incendie. Ne pas utiliser de matériaux inflammables dans les réservoirs.

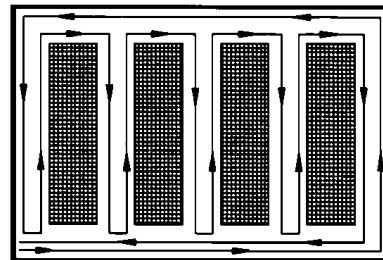
Normal Scrubbing

Plan the scrubbing pattern in advance. The longest track is around the perimeter of the area to be cleaned. For efficient operation, the runs should be the longest possible without turning, stopping, or raising or lowering scrub deck/squeegee.

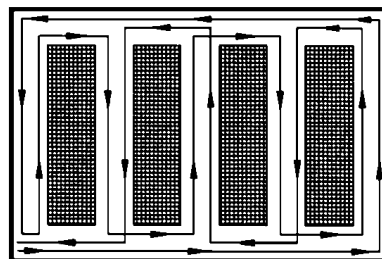
In order to achieve the best possible results, the area which is to be cleaned should be swept before scrubbing. Large debris, strings and wire must be removed to prevent being caught in brushes or vacuum shoe.

If the machine is allowed to stand in neutral with the scrub deck down, the solutions flow stops and brush motors stop. If either forward or reverse travel is selected, the solution flow will continue in the same setting and the scrub brush motors will continue in their same setting once movement of machine begins. Overlap the brush path and avoid transporting over previously cleaned areas.

INEFFICIENT SCRUBBING PATH



RECOMMENDED SCRUBBING PATH



To Begin Scrubbing

⚠ WARNING:

When operating the machine around people, pay close attention for unexpected movement. Use extra caution around children.

⚠ AVERTISSEMENT:

Lorsque vous utilisez la machine en présence de gens, portez une attention particulière aux mouvements inattendus. Soyez plus prudent, surtout en présence d'enfants.

⚠ WARNING:

Flammable liquids and/or reactive metals can cause explosions or fire! Do not pick up.

⚠ AVERTISSEMENT:

Les liquides inflammables et / ou les métaux réactifs peuvent provoquer des explosions ou un incendie! Ne les ramassez pas.

1. Stand on the operator platform. Throttle pedal must be in neutral position.
2. Turn machine power on.
3. Press the Drive Reset / Directional Control Switch, selecting the desired travel direction.
4. Position the function control knob to the desired operation. The scrub deck and vacuum shoes will lower, and the vacuum will turn on.
5. Drive machine forward to begin scrubbing. The scrub brush motor will run and solution will flow when the throttle is depressed.

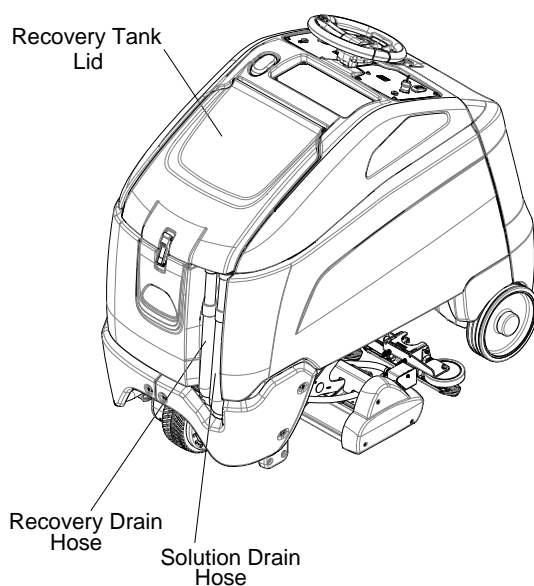
NOTE: Shut machine off immediately if water or foam is expelled from the machine.

NOTE: Solution flow is automatically shut off when brush motor stops. When brush motor is activated, flow automatically resumes.

To Stop Scrubbing

1. Rotate the function knob to either transport position. The brush motor will stop and the scrub deck will rise to the park position. After 10 seconds the vacuum shoe will raise, and 10 seconds later the vacuum motor will turn off. This delay is to clear the vacuum hose of recovered solution.
2. Allow the throttle pedal to return to neutral.
3. Turn machine power off.

FOR SAFETY: Before leaving or servicing machine: stop on level surface, turn off machine and remove key.



Solution Tank

1. Remove the recovery tank lid.
2. Pull the solution drain hose from its mounting pocket. Unscrew the cap, then lower hose in direction of drain.
3. Remove the solution tank cap.
4. Flush the solution tank out with clean water and run several gallons of clean water through systems. Do not use water hotter than 140°F (60°C) to clean tank. Damage may occur.
5. If machine is to be stored, leave solution cap off.

NOTE: Never allow solution to remain in tank. Damage to tank, seals and valves could occur.

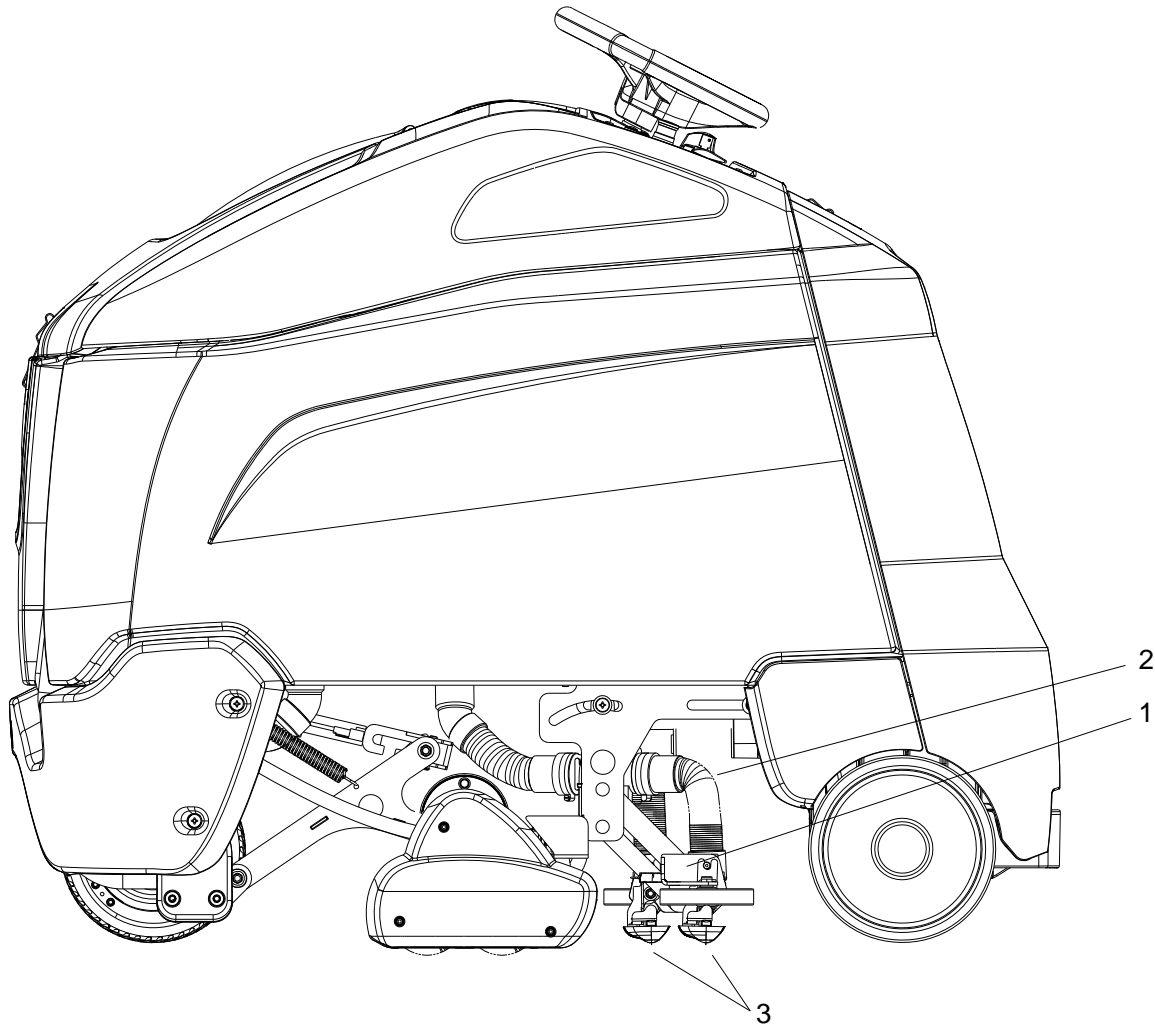
Emptying and Cleaning Tanks

1. Park the machine next to a floor drain. Drain hoses are at the front of the machine.
2. Turn the machine power off.

Recovery Tank

1. Open the recovery tank lid. Pull the recovery drain hose from the mounting bracket. Open cap, then lower hose in direction of the drain. Do not stand in front of end of hose. Recovered solution will come out with force.
2. Flush the recovery tank out with clean water. Do not use water hotter than 140°F (60°C) to clean tank. Damage may occur.
3. Clean debris bin.
4. Clean off the float shut-off system and inspect for free movement of float.
5. Replace the drain hose cap and secure drain hose.
6. If machine is to be stored, leave the recovery tank lid propped open.

Vacuum Shoes



1. Vacuum Shoe Release

The latch holds the vacuum shoe in place.

2. Vacuum Hoses and Y-Tube

Vacuum shoe hose and y-tube carry the recovered solution to the recovery tank.

3. Vacuum Shoes

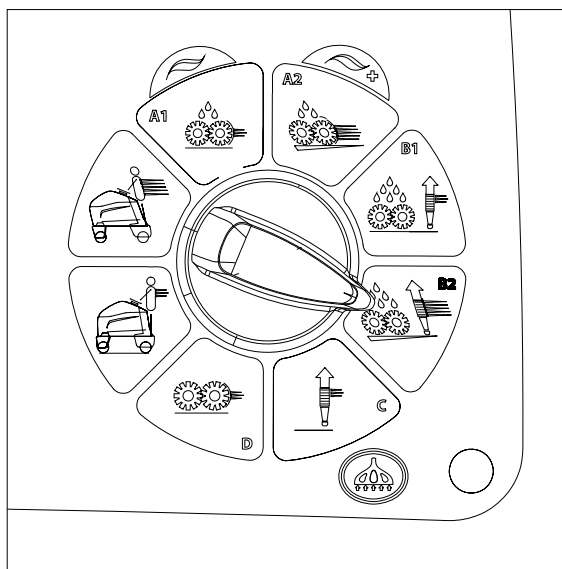
Contact the carpet to recover solution.

Vacuum Shoes

The dual offset vacuum shoes are designed to remove soiled solution from the carpet. The plastic vacuum shoe glides minimize damage to the carpet. The clear plastic cover allows the operator to verify the vacuum shoe is operating without clogging. The quick release latch allows for tool free removal for easy cleaning.

To Operate Off-Aisle Cleaning Option

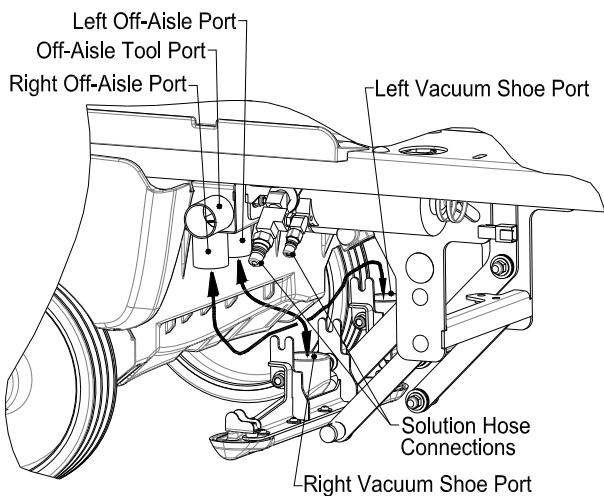
1. Turn Function Mode Dial to selection B2 to lower vacuum shoes.



2. Turn key to off when vacuum shoes touch the floor.
3. Disconnect water supply from deck and connect to off-aisle pump.
4. Disconnect both vacuum hoses from vacuum shoes and connect to off-aisle vacuum port connections.

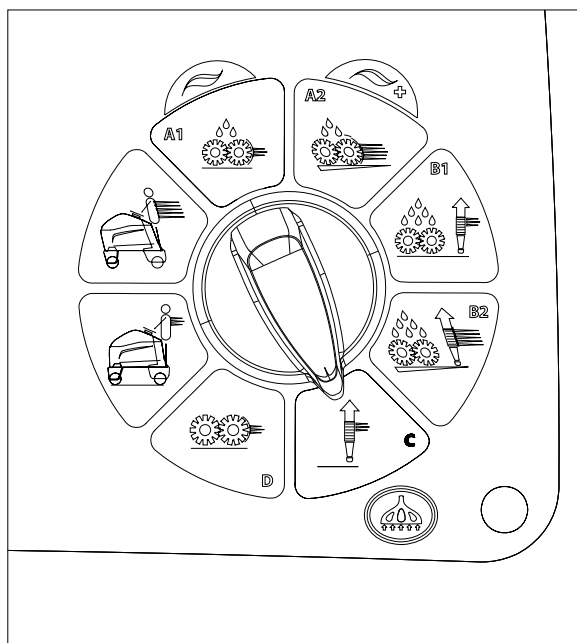
From right side of machine:

- a. Remove hose from left side vacuum shoe and connect to connection port nearest to you
- b. Remove hose from right side vacuum shoe and connect to connection port towards center of machine.

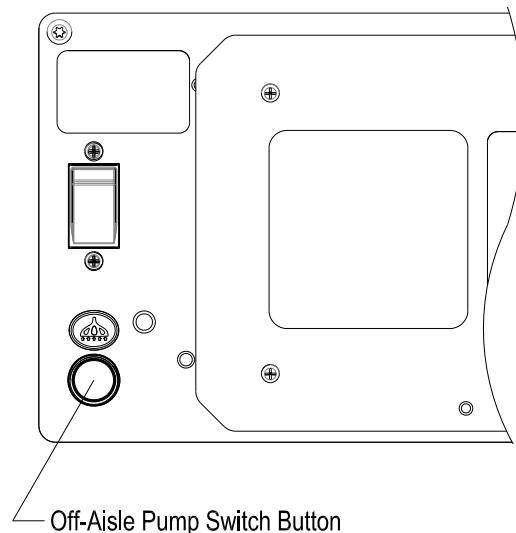


Front Of Machine →
Vacuum Hose Relocation For Off-Aisle Tool Use

5. Connect Off-Aisle Tool vacuum hose and Solution hose.
6. Turn key to "on".
7. Turn Function Mode Dial to selection-C.



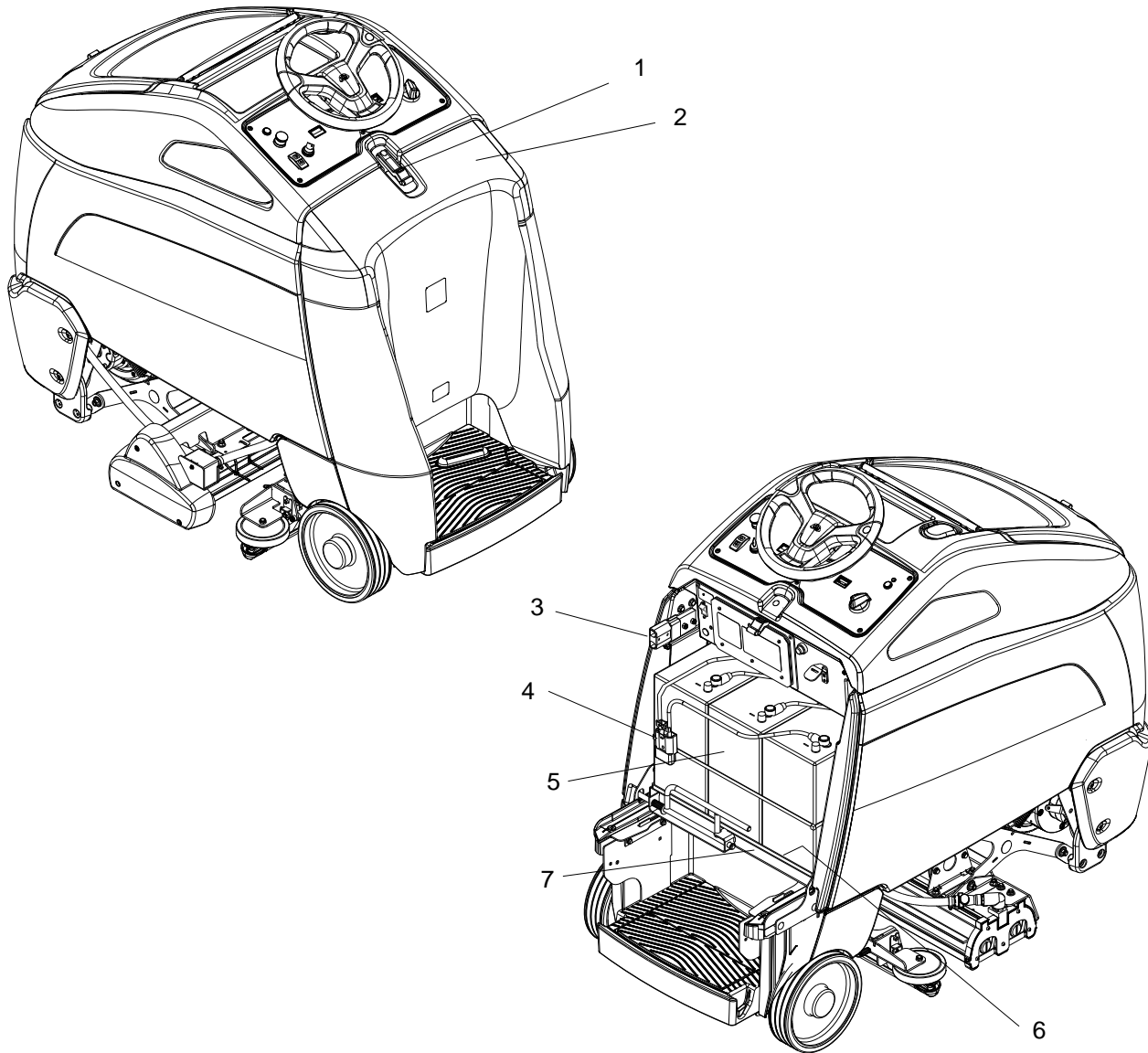
8. Push in off-aisle pump switch button on lower control panel, lower left side. The green indicator will illuminate on main control panel and now the solution flow is enabled.



Service Schedule

MAINTENANCE	BEFORE EACH WORK PERIOD	AFTER EACH WORK PERIOD	50 HRS	100 HRS	200 HRS
Check water level of batteries after charging; add distilled water if necessary. (Wet cell only)	*				
Check that recovery lid seals tightly.	*				
Visually check for damaged or worn wheels.	*				
Check brushes for proper installation.	*				
Check vacuum hose connections.	*				
Check that vacuum shoes are securely attached.	*				
Check for securely attached drain hoses, plug and cap.	*				
Check pedal, brake and steering for proper operation.	*				
Clean out recovery tank and debris bin.		*			
Clean and inspect float shutoff.		*			
Clean out solution tank.		*			
Clean and inspect solution filter strainer.		*			
Run vacuum motors to dry.		*			
Clean brushes and check wear.		*			
Clean vacuum shoes and check wear.		*			
Clean outside of tanks, check for damage.		*			
Store with recovery lid propped open.		*			
Charge batteries if needed.		*			
Clean off top of batteries.			*		
Check battery cells with hydrometer. (Wet cell only)			*		
Inspect vacuum shoes.			*		
Check battery connections are tight.			*		
Inspect and clean interior of solution manifold.			*		
Clean battery cases and battery compartment.				*	
Check parking brake.					*
Clean pivot points on vacuum shoes and scrub deck lift.					*
Check all motors for carbon brush wear.					*
Check motor commutators.					*
Check steering chain tension.					*

Batteries



1. Rear Cover Latch
2. Rear Cover
3. Battery Connector-Machine
4. Battery Connector-Battery
5. Batteries
6. Battery Tray Liner
7. Battery Tray

Batteries (Wet Cell Only)

The batteries provide the power to operate the machine. The batteries require regular maintenance to keep them operating at peak efficiency.

The machine batteries will hold their charge for long periods of time, but they can only be charged a certain number of times. To get the greatest life from the batteries, charge them when their charge level reaches 25% of a full charge. Use a hydrometer to check the charge level.

Do not allow the batteries to remain in a discharged condition for any length of time. Never expose a discharged battery to temperatures below freezing. Discharged batteries will freeze causing cracked cases. Do not operate the machine if the batteries are in poor condition or if they have a charge level below 25% (specific gravity below 1.155).

Keep all metallic objects off the top of the batteries, as they may cause a short circuit. Replace worn or damaged cables and terminals.

Check the electrolyte level in each battery cell before and after charging the batteries. Never add acid to the batteries, use distilled water. Do not allow water level to fall below the battery plates. Portions of plates exposed to air will be destroyed. Do not overfill. Keep plugs firmly in place at all times.

⚠ CAUTION:

When servicing machine, avoid contact with battery acid.

⚠ ATTENTION:

Lors de l'entretien de la machine, évitez tout contact avec l'acide de batterie.

⚠ WARNING:

Batteries emit hydrogen gas. Explosion or fire can result. Keep sparks and open flame away. Keep covers open when charging.

⚠ AVERTISSEMENT:

Les batteries émettent du gaz hydrogène. Une explosion ou un incendie peut en résulter. Maintenez les étincelles et les flammes nues à l'écart. Gardez les carters ouverts lors du chargement.

⚠ WARNING:

Wear eye protection and protective clothing when working with batteries.

⚠ AVERTISSEMENT:

Portez des lunettes de protection et des vêtements de protection lorsque vous travaillez avec des batteries.

⚠ WARNING:

Charge batteries in a well ventilated area.

⚠ AVERTISSEMENT:

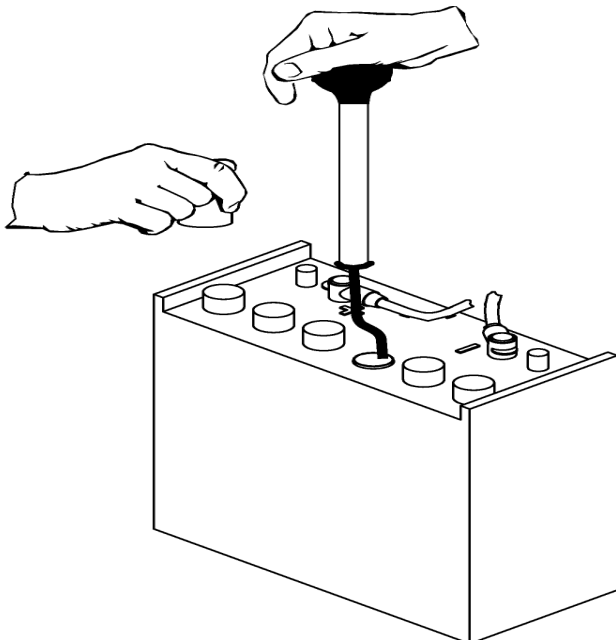
Chargez les batteries dans un endroit bien ventilé.
Battery Maintenance

1. When cleaning the batteries, use a solution of baking soda and water. Do not allow the cleaning fluid to enter the battery cells, electrolyte will be neutralized.
2. Maintain the proper electrolyte level in each battery cell. If a cell should accidentally overflow, clean immediately.
3. Wipe off the top of the batteries at least once a week.
4. Test battery condition with a hydrometer at least once a week.
5. Ensure that all connections are tight and all corrosion removed.

Every 4 to 6 months, remove that batteries from the machine and clean the battery cases and battery compartment.

Checking Battery Specific Gravity

Use a hydrometer to check the battery specific gravity.



CHECKING GRAVITY

- Hydrometer Battery
- Battery

NOTE: Do not take readings immediately after adding distilled water, if the water and acid are not thoroughly mixed, the reading may not be accurate.

Check the hydrometer readings against this chart.

SPECIFIC GRAVITY @ 80° F (27°C)	BATTERY CONDITION
1.265	100% CHARGED
1.225	75% CHARGED
1.190	50% CHARGED
1.155	25% CHARGED
1.120	DISCHARGED

NOTE: If the readings are taken when the battery electrolyte is any temperature other than 80°F (27°C), the reading must be temperature corrected. To find the corrected specific gravity reading when the temperature of the battery electrolyte is other than 80°F (27°C): Add (+) to the specific gravity reading 0.004 (4 points), for each 10°F (6°C) above 80° (27°C). Subtract (-) from the specific reading 0.004 (4 points), for each 10°F (6°C) below 80°F (27°C).

Charging Batteries

⚠ CAUTION:

When servicing machine, avoid contact with battery acid.

⚠ ATTENTION:

Lors de l'entretien de la machine, évitez tout contact avec l'acide de batterie.

⚠ WARNING:

Batteries emit hydrogen gas. Explosion or fire can result. Keep sparks and open flame away. Keep covers open when charging.

⚠ AVERTISSEMENT:

Les batteries émettent du gaz hydrogène. Une explosion ou un incendie peut en résulter. Maintenez les étincelles et les flammes nues à l'écart. Gardez les carters ouverts lors du chargement.

⚠ WARNING:

Wear eye protection and protective clothing when working with batteries.

⚠ AVERTISSEMENT:

Portez toujours des lunettes et des vêtements de protection pour travailler sur les batteries.

⚠ WARNING:

Charge batteries in a well ventilated area.

⚠ AVERTISSEMENT:

Chargez les batteries dans un endroit bien ventilé.

Use a 36 volt, 20 amp maximum output DC charger which will automatically shut off when the batteries are fully charged.

1. Stop the machine in a clean, well ventilated area next to the charger.
2. Turn "OFF" machine.

FOR SAFETY: Before leaving or servicing machine; stop on level surface, turn off machine and remove key.

3. Open rear cover, unplug batteries from machine, unlatch battery tray and pull out to expose batteries.

⚠ WARNING:

Batteries emit hydrogen gas. Explosion or fire can result. Keep sparks and open flame away. Keep covers open when charging.

⚠ AVERTISSEMENT:

Les batteries émettent du gaz hydrogène. Une explosion ou un incendie peut en résulter. Maintenez les étincelles et les flammes nues à l'écart. Gardez les carters ouverts lors du chargement.

4. Check the electrolyte level in each battery cell. Before charging, add just enough distilled water to cover the plates. After charging is complete, add just enough distilled water to bring up the level to the indicator ring. If the water level is too high before charging, normal expansion rate of the electrolyte may cause an overflow resulting in a loss of battery acid balance and damage the machine.
5. Replace the battery caps, and leave them in place while charging.

FOR SAFETY: When charging, connect the charger to the batteries before connecting the charger to the AC wall outlet. Never connect the charger to the AC wall outlet first. Hazardous sparks may result.

6. Plug the charger connector into the battery connector. Connect the charger AC plug to a wall outlet. The charger gauge should indicate that the batteries are charging.
7. When the batteries are fully charged, disconnect the charger from the AC wall outlet, then disconnect the charger from the batteries.
8. Connect the batteries to the machine connector.
9. Check the electrolyte level. It should be up to the indicator ring. If necessary, add distilled water.
10. Close the rear cover.

Changing Batteries

Stop the machine in a clean area next to the charger.
Turn off machine.

FOR SAFETY: Before leaving or servicing the machine; stop on level surface, turn off machine and remove key.

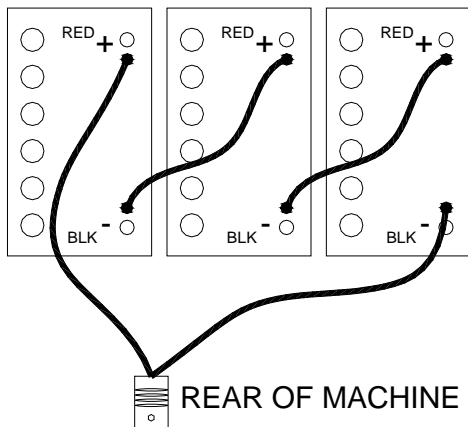
1. Remove the rear cover.
2. Disconnect battery pack from machine.
3. Unlatch battery tray from machine and pull out to expose batteries.
4. Use the proper size open end wrench to disconnect main ground wire first and secure cable terminal away from batteries.
5. Disconnect main positive lead and secure cable terminals away from batteries.
6. Loosen both terminals on each jumper cable and remove one at a time.
7. Prepare a suitable site to place the batteries.

⚠ WARNING:

Attach suitable battery lifting device and lift batteries from the machine. Batteries are a potential environmental hazard. Consult your battery supplier for safe disposal methods.

⚠ AVERTISSEMENT:

Fixez le dispositif de levage de batterie approprié et levez les batteries de la machine. Les batteries constituent un danger potentiel pour l'environnement. Consultez le fournisseur de votre batterie pour connaître les méthodes d'élimination sûres.



Onboard Charger (Optional)

⚠ CAUTION:

Circuit Breaker must be off before unplugging batteries.

Battery Charger Programming

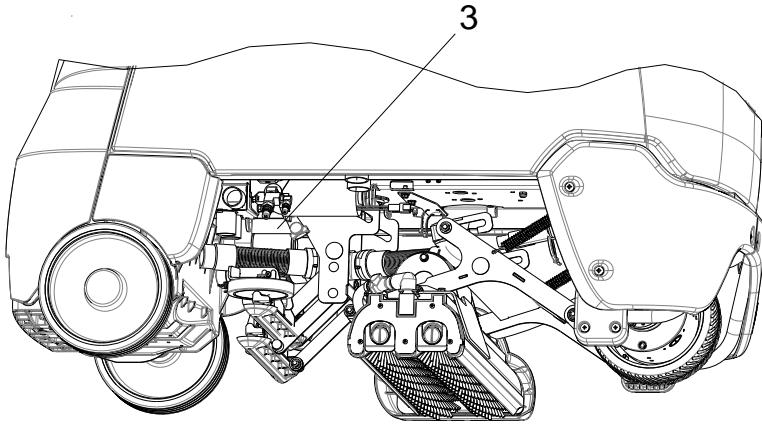
For machines equipped with optional on-board charger. When replacing batteries, charger programming changes may be required. If replacing batteries with same type, (e.g. maintenance free batteries with maintenance free) no programming is required. When batteries with different type (e.g. maintenance free with wet cell), programming change are required. Failure to make programming changes may lead to reduced battery life.



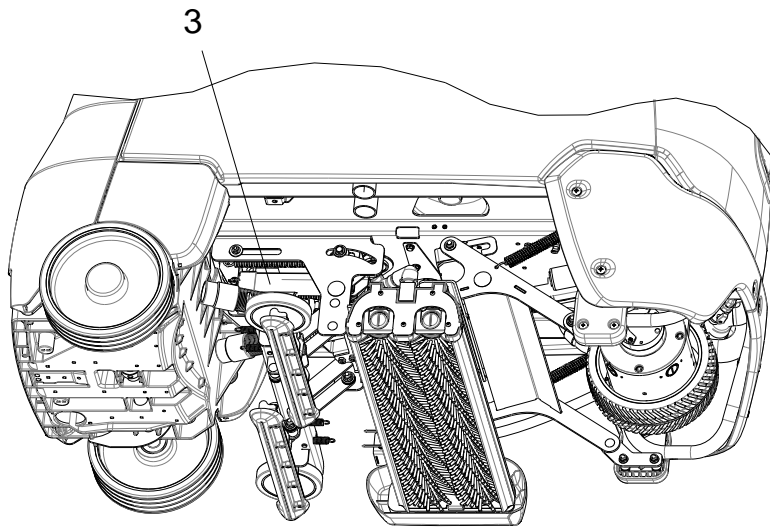
1. Remove four screws from charger mounting bracket. Lift charger out of console.
2. Peel back label on charger to access dip switches.
3. Change switches to correct battery type.

	DIP 1	DIP 2	DIP 3	DIP 4	DIP 5	DIP 6	DIP 7	DIP 8
LEAD ACID	OFF	ON	ON	ON	OFF	ON	ON	OFF
DISCOVER AGM	ON	OFF	OFF	OFF	OFF	ON	ON	OFF

4. Replace charger label and lower charger back into console. Tighten four screws to secure mounting bracket to console.



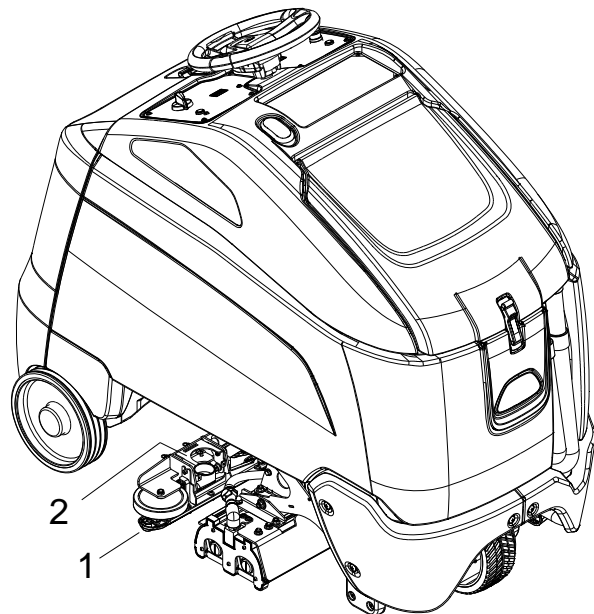
WITH PUMP OFF-AISLE OPTION



WITHOUT PUMP OFF-AISLE OPTION

Vacuum Shoes

1. Vacuum Shoes
2. Vacuum Shoe Release
3. Vacuum Shoe Lift Actuator



Vacuum Shoes

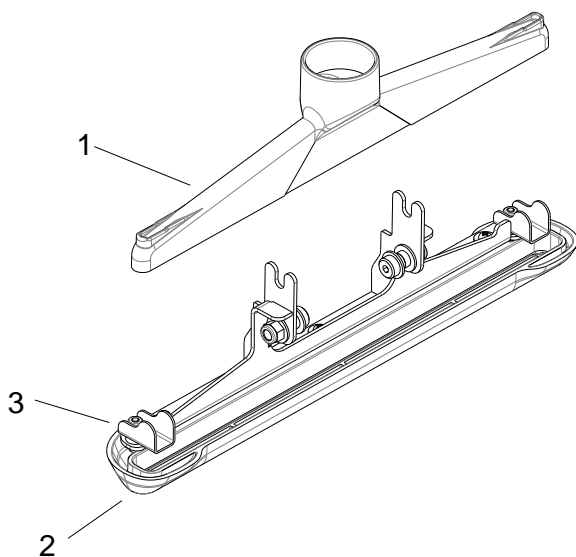
The dual offset vacuum shoes are designed to extract soiled solution from the carpet. The plastic vacuum shoe glides minimize damage to carpet and flooring.

Maintenance

The vacuum shoes should be removed and cleaned daily to ensure maximum solution recovery.

Vacuum Shoe Removal and Cleaning

1. Make sure the vacuum shoes are in the raised position and the key is off.
2. Press the gray latch to release the vacuum shoe from the mounting bracket.
3. Twist the hose out of the clear cover.
4. Rotate the left and right latches to separate the clear cover from the glide base.
5. Inspect and clean both parts.
6. Reinstall glide base and clear cover.
7. Check to be sure foam gasket is seated properly.
8. Repeat for other vacuum shoe.



1. Vacuum Shoe Cover
2. Vacuum Shoe Wiper Base
3. Vacuum Shoe Latch

Vacuum Shoe Lift Actuator Removal/ Replacement

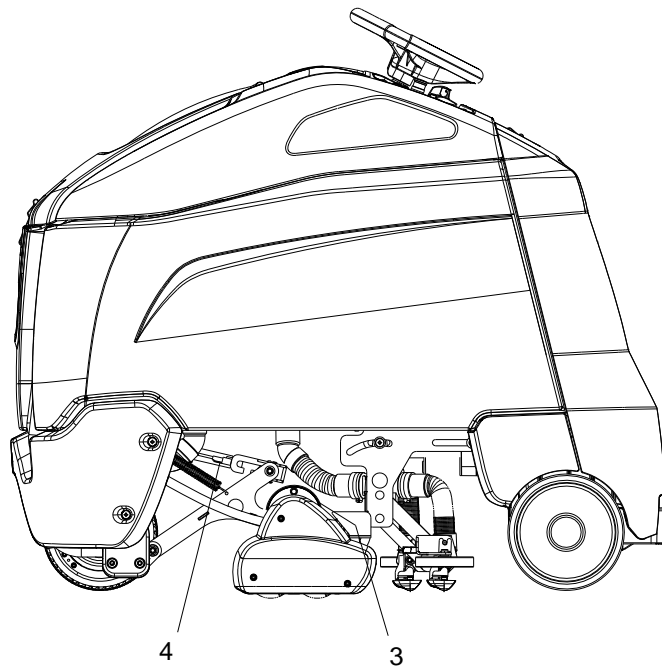
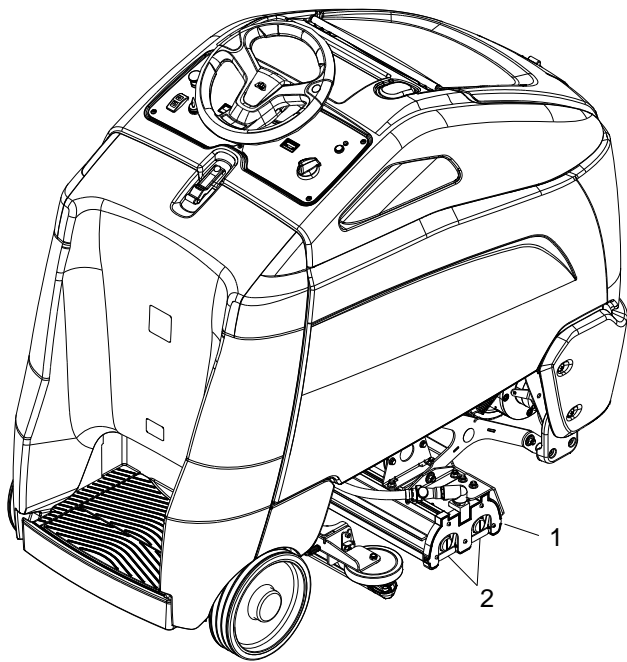
FOR SAFETY: Before leaving or servicing machine, stop on a level surface and turn off the machine.

Removal:

1. Make sure the vacuum shoes are in the raised position and the machine key switch is off.
2. Unplug the actuator cable from the machine harness.
3. Cut and remove the two cable ties securing the actuator cable to the machine.
4. Remove the cotter ring pin, washer, two spacers, and clevis pin from each end of the actuator. Note the position of all parts before removing to make re-assembly easier.
5. Remove the actuator from machine.

Installation:

1. Fully extend the actuator before installing it into machine. With the machine key switch off, plug the actuator into the machine harness. Turn the function mode dial to the slow transport position and turn the key switch on. Wait for the actuator to fully extend and then turn the key switch off. Be careful that the actuator does not interfere with surrounding parts as it is extending.
2. Install the moving end of the actuator, clevis pin, two spacers, washer, and cotter ring pin into the front bracket.
3. Install the fixed end of the actuator, clevis pin, two spacers, washer, and cotter ring pin into the rear bracket.
4. Route the actuator cable and secure it to the machine in two places using new cable ties.
5. Check the linkage operation. Turn the key switch on and turn the function mode dial to the C position. Verify the vacuum shoes lower to the ground. Turn the function mode dial to the slow transport position and verify the vacuum shoes move to the raised position.



Brush Deck

1. Brush Deck
2. Brush Release Clips
3. Brush Motor
4. Brush Deck Lift Actuator

Brush Deck

The dual counter-rotating cylindrical brushes are designed to scrub and groom the carpet.

Maintenance

Scrub brushes should be inspected and cleaned daily. Scrub brushes should be exchanged front to back every 50 hours to ensure even wear. Scrub brushes should be replaced as a set when bristle length wears to the height of yellow PerformAlert™ bristles.

Scrub Brush Removal

The scrub brushes are removed from the right side of the machine.

1. Raise the scrub deck to the storage position.
2. Pull out on the bottom of the retaining clip.
3. The brush assembly and end cap should drop down. Then pull the brush down far enough to clear the bottom of the housing.
4. Pull brush out with a rocking motion to free brush from drive hub.

Bearing Cleaning

1. Remove bearing cap from end of brush.
2. Clean cap and bearings.

Brush Deck Motor

Remove Brush Deck

1. Remove both halves of bumper
2. Raise brush deck
3. Disconnect springs from deck lift arms
4. Lower brush deck
5. Turn off machine
6. Turn off ball valve
7. Remove solenoid cover (1) screw and associated hardware
8. Unplug harness from brush motor and solenoid
9. Remove shaft cover (4) nuts & washers
10. Loosen hose clamp and remove valve-to-solenoid hose from solenoid
11. Remove (2) bolts & hardware that fasten deck to lift linkage
12. Push loose deck towards rear of machine until lift linkage arm clears motor shaft
13. Angle deck and slide out left side of machine
14. Reverse to reassemble

Replace Brush Deck Motor

1. Remove brush deck from machine
2. Cut cable tie that secures motor cable to brush deck.
3. Remove two (2) nuts to free right rear motor mounting bracket from deck.
4. Remove six (6) motor mount bracket face screws
5. Remove rear mounting bracket
6. Remove motor with attached coupler hub, leaving front motor mounting bracket still attached to deck
7. Remove coupler hub (1 set screw) from old motor for reuse
8. Reverse process to reassemble with new motor

Scrub Deck Actuator Removal/ Replacement

FOR SAFETY: FOR SAFETY: Before leaving or servicing machine, stop on a level surface. Turn off machine.

1. Lower deck
2. Turn off machine
3. Remove both halves of bumper
4. Unplug actuator
5. Remove cotter pin and clevis pin at deck end of actuator
6. Remove screw & lock washer at front end of actuator (it may be necessary to swing actuator end up to underside of machine frame to gain access to screw)
7. Remove actuator along with plastic spacer washer
8. To reassemble with new actuator:
 - a) Attach actuator front end to bracket with screw, lock washer & plastic spacer
 - b) Plug in actuator
 - c) Turn rotary switch to A1 to extend actuator
 - d) Turn off machine when extended
 - e) Attach rear end of actuator with clevis and cotter pin.
9. Reinstall both halves of bumpers.

Replace Pump - Off-Aisle Option

1. Unplug pump from harness.
2. Remove (3) nuts & washers that secure pump mounting plate assembly to underside of machine frame.
3. Move pump assembly to workbench.
4. Remove fittings from pump.
5. Remove (4) pump mounting nuts & washers.
6. Cut cable tie that secures pump harness to plate.
7. Slide pump from mounting studs.
8. Install new pump, secure with washers & nuts; tighten so 3 threads are exposed beyond nut disassembly.
9. Assemble fittings in reverse order from disassembly.
10. Use pipe sealant on brass fittings; Use Teflon tape on plastic fittings AND brass fittings assembling into plastic (pump); make sure fittings are tight.
11. Cable tie wires to pump & plate.
12. Install assembly to underside of machine frame.
13. Plug in pump to harness.

⚠ WARNING:

Do not use a pressure washer to clean around the brush motors. Use tap pressure only.

Brush Motor Carbon Brush Replacement

1. Scribe alignment mark on motor barrel to motor cap. Remove two bolts.

2. Remove end cap from motor.

NOTE: NOTE: Motors contain two wave washers in cap. Do not lose these.

3. Release brush from spring tension. Remove screw connecting brush wire lead to brush holder. Clean brush holder to ensure free movement.

4. Retract spring and install new brush. Install connector screw and lead.

5. When all new brushes are installed. Place all in retracted position, held into brush holder by spring tension.

6. Carefully place end cap onto bearing on motor shaft.

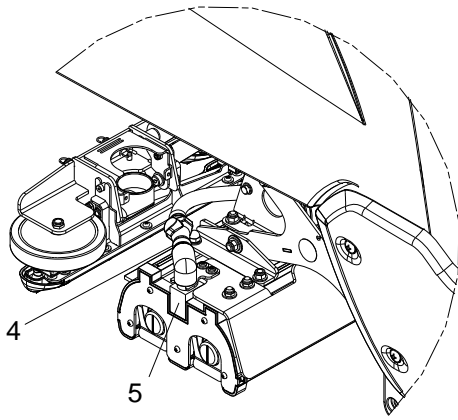
NOTE: NOTE: Use care to ensure wave washer alignment.

7. With end cap in partially installed position, release all brushes to contact position with motor commutator.

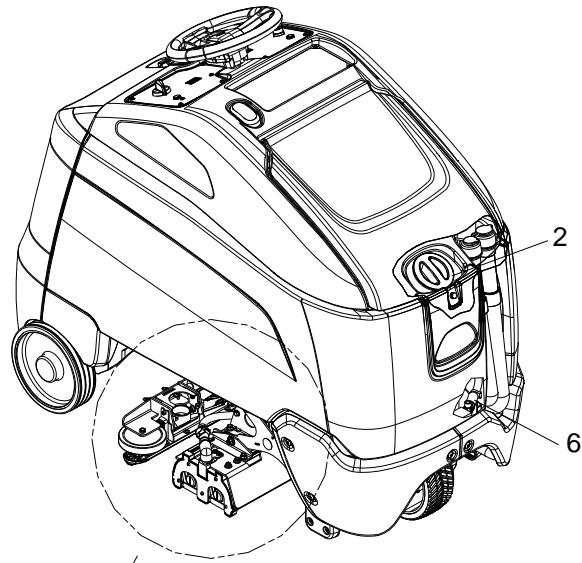
NOTE: NOTE: Failure to ensure all brushes are released will result in motor failure.

8. Reset end cap and realign with scribe marks on motor barrel. Reinstall the two attach bolts from cap into base.

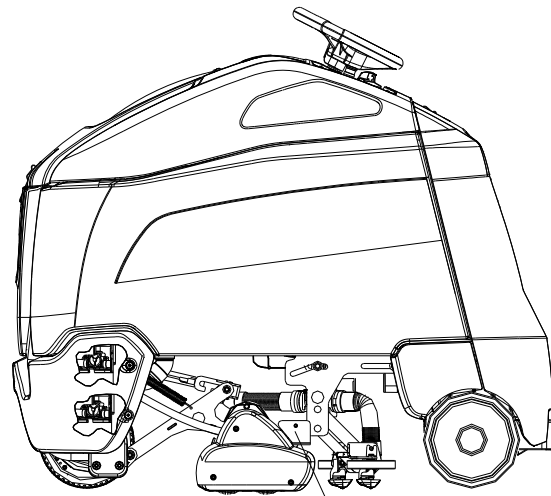
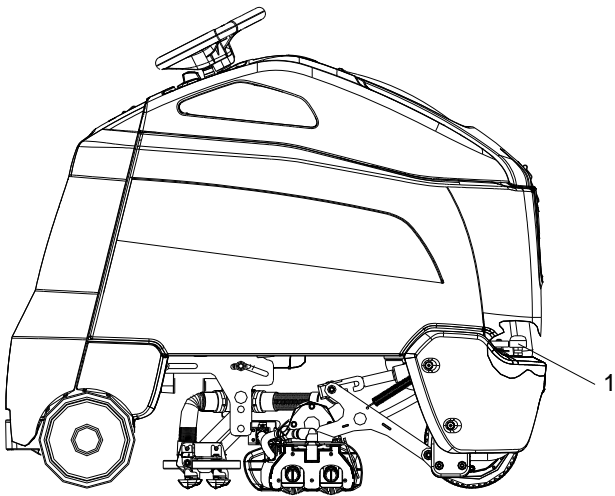
9. Maintain alignment between motor barrel base and cap.



VIEW A



SEE VIEW A



Solution

1. Strainer
2. Solution Cap
3. Solenoid Valve
4. Manifold Quick Release
5. Manifold
6. Ball Valve

Solution Strainer

Located in bottom of tank. Protects system from debris.

Solenoid Valve

The solenoid valve is mounted on the back of the scrub deck, on left side. The solenoid valve opens and closes to meter the correct amount of solution to the scrub deck.

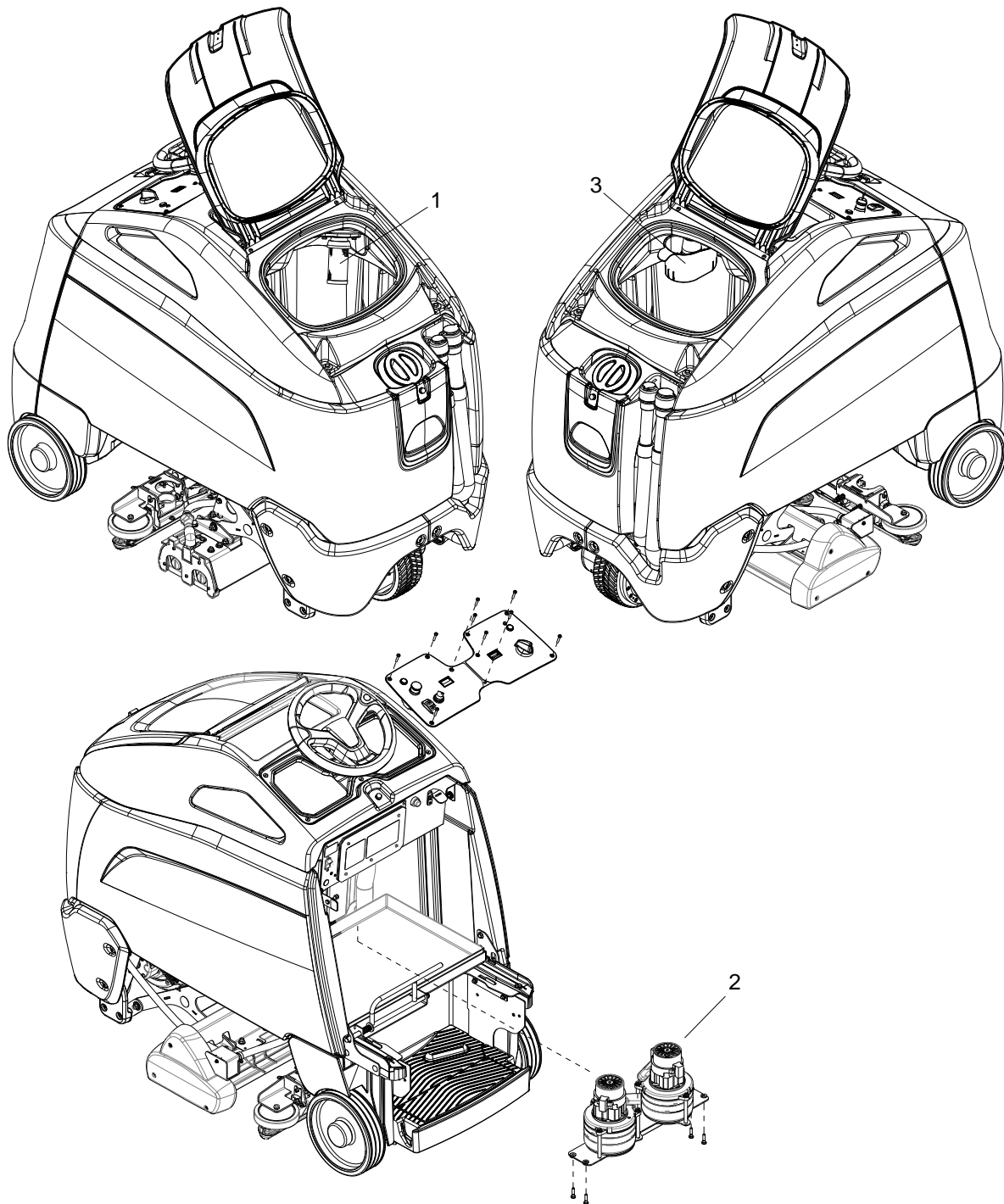
The solenoid valve shuts off solution flow to scrub deck whenever scrubbing stops.

To repair or replace solenoid valve:

1. Remove 1 screw to remove sheet metal cover.
2. Disconnect 2 electrical connectors.
3. Loosen hose clamps for both hoses.
4. Pull both hoses off valve.
5. Remove 2 screws securing valve to mounting bracket.
6. Reverse process to install.

Solution Manifold

The solution manifold supplies solution equally along the length of the brush. The manifold can be removed by releasing the quick disconnect at the right side of the brush deck. The manifold should be cleaned daily for best results.



Vacuum

1. Recovery Tank Float Shut-off
2. Vacuum Motors
3. Debris Bin

Recovery Tank Float Shut-off

When water is no longer being vacuumed from the floor and the vacuum fan is operating, the ball float has engaged. The vacuum motor will not vacuum water with recovery tank full. The recovery tank must be drained.

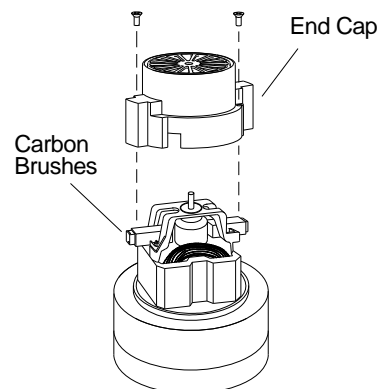
1. The float shut-off screen can be cleaned in or out of the machine.
2. To clean the float shut-off while it is inside the machine wipe material off screen then rinse. Check that the ball is also clean and moves freely.
3. To remove the float shut-off, grasp the screen with one hand and the connected tube with the other. Tilt and pull the float screen assembly to pull it off the barb on the tube.
4. To install, place one hand on the tube, and then tilt and push the float screen assembly over the barb on the tube.

FOR SAFETY: Before leaving or servicing machine, stop on a level surface, turn off machine and disconnect power.

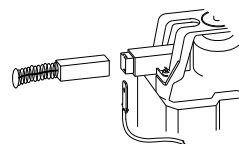
To Repair or Replace Vacuum Motors

1. Remove rear cover from machine.
2. Remove 9 screws and remove upper control panel.
3. Disconnect electrical connectors from the vacuum motors.
4. Remove batteries from machine.
5. Remove 4 screws mounting vacuum motor assembly to console.
6. Lower vacuum motor assembly down into battery compartment.
7. Remove 3 screws mounting the vacuum motor to the plenum.
8. Disconnect the vacuum hose from the vacuum motor exhaust.
9. Reverse the process to install.

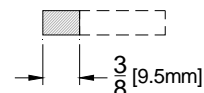
Vacuum Motor Carbon Brushes



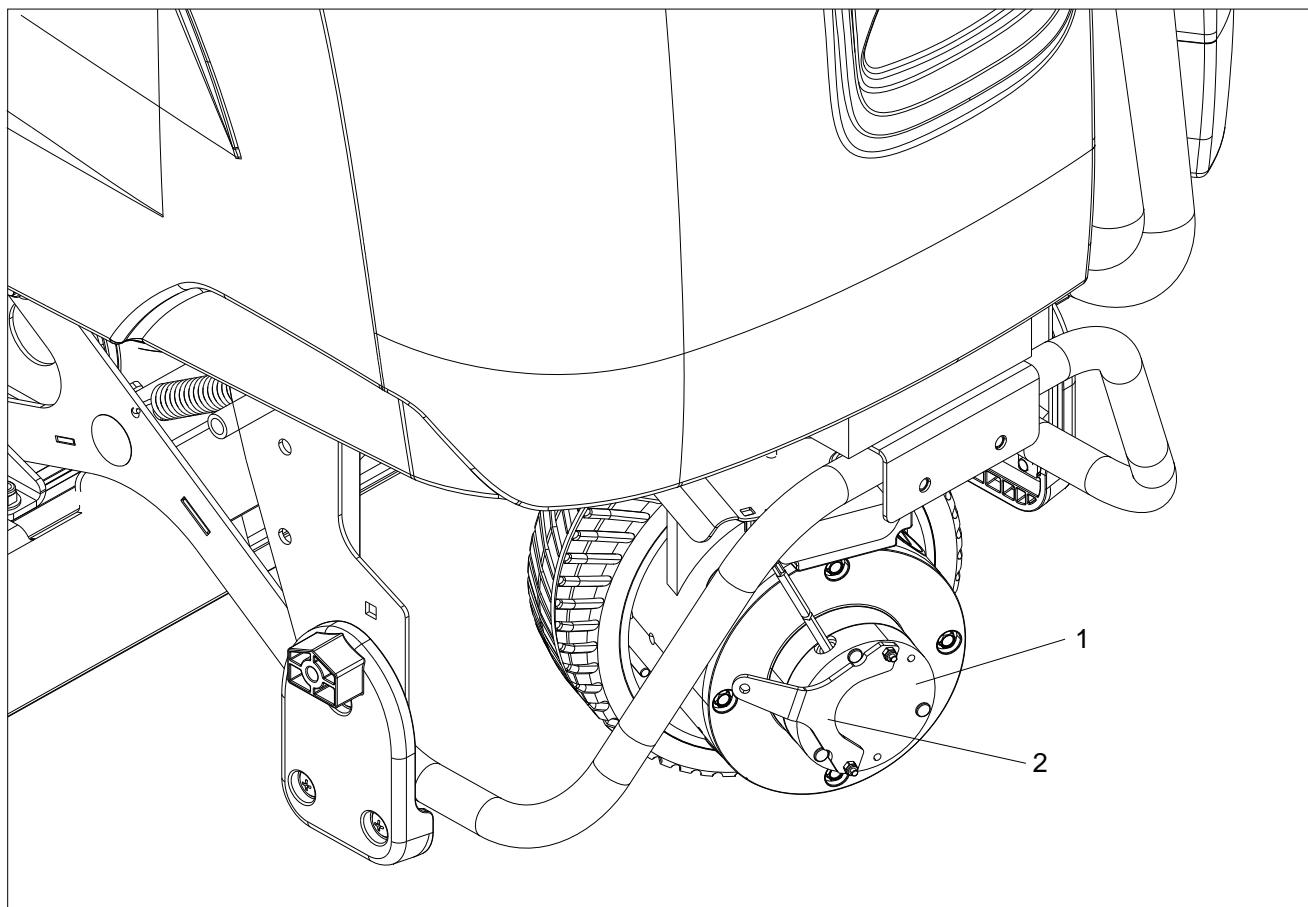
If armature commutator is grooved, extremely pitted or not concentric, the motor will need to be replaced or sent to a qualified service center.



Important:
These brushes wear quicker as the length shortens due to increased heat. Spring inside brush housing will damage motor if brushes are allowed to wear away completely.



Periodically check the length of the carbon brushes. Replace both carbon brushes when either is less than 3/8" (9.5mm) long.



Drive Motor

1. Drive Motor
2. Parking Brake

Electric Parking Brake Engagement

FOR SAFETY: Before leaving or servicing machine, stop on a level surface, turn off machine and remove key.

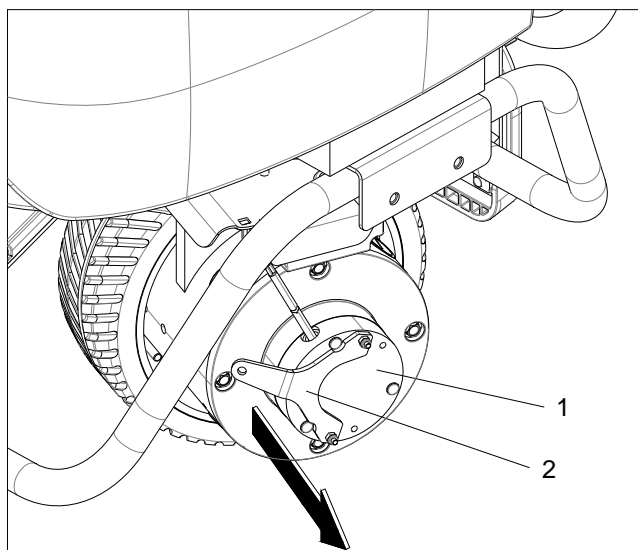
Electric Brake Engagement

This machine is equipped with an electric parking brake.

The brake automatically engages and keeps the machine from moving whenever the operator steps off the platform or when emergency stop is engaged.

The brake has a mechanical over-ride that can be engaged so machine can be pushed or towed (slowly).

To disengage brake:



1. Pull lever away from brake housing.
2. Insert material to hold brake lever in place.

⚠ WARNING:

Do not operate machine with brake disengaged.

⚠ AVERTISSEMENT:

N'actionnez pas la machine avec le frein désengagé.

Drive Motor Carbon Brush Replacement

⚠ WARNING:

Do not use a pressure washer to clean around the motors. Use tap pressure only.

⚠ AVERTISSEMENT:

N'utilisez pas de nettoyeur haute pression pour nettoyer autour des moteurs des brosses. Utilisez seulement la pression du robinet.

FOR SAFETY: Before leaving or servicing machine, stop on a level surface, turn off machine and remove key.

1. Disconnect batteries from machine.
2. Disconnect the electrical connection to the traction motor.

Transporting

Pushing Machine

The machine may be pushed for short distances at speeds not to exceed 5 mph. Be careful to avoid damaging machine. The machine may be pushed by hand from the rear.

NOTE: To avoid damage caused by regenerative voltage, disconnect traction motor before towing or pushing machine.

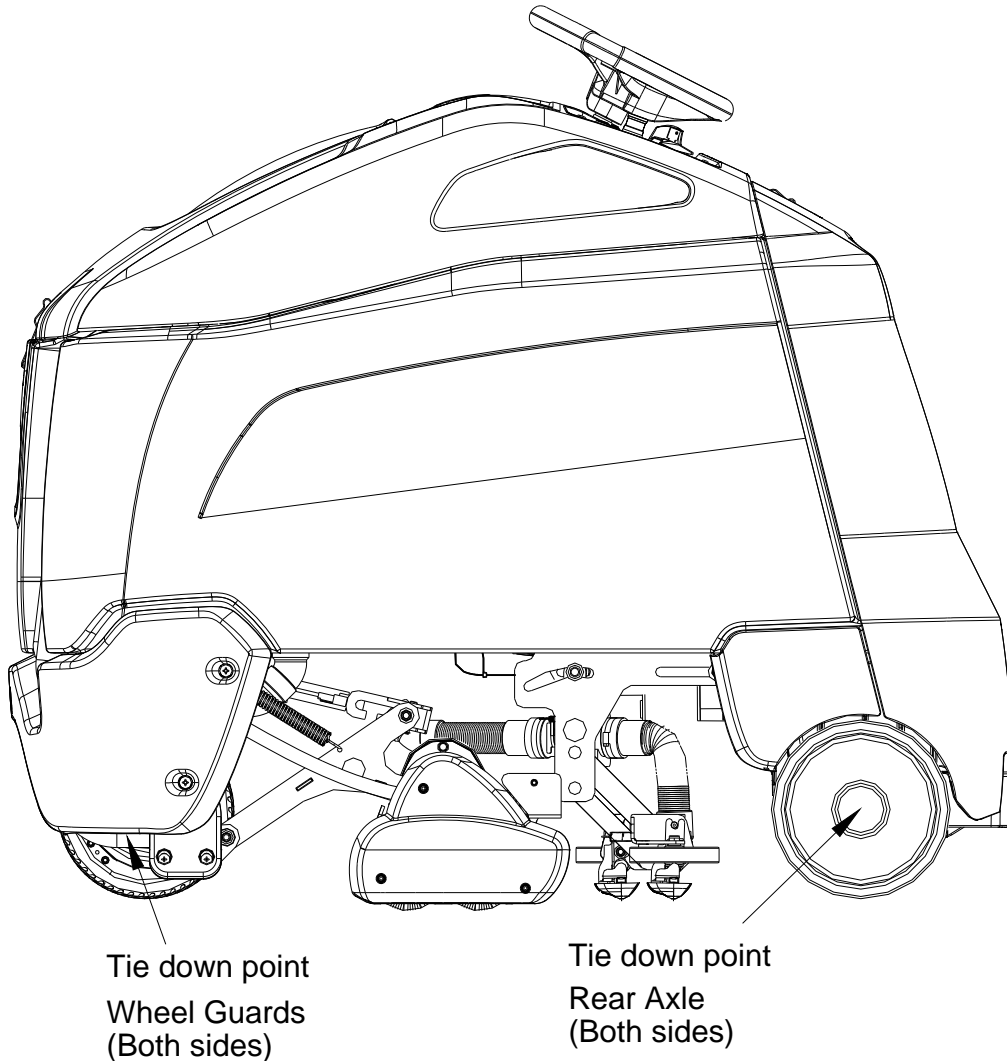
Machine Tie-Downs

There are four tie down points, two on the front wheel guards, and two on the rear axle located on either side of the foot box.

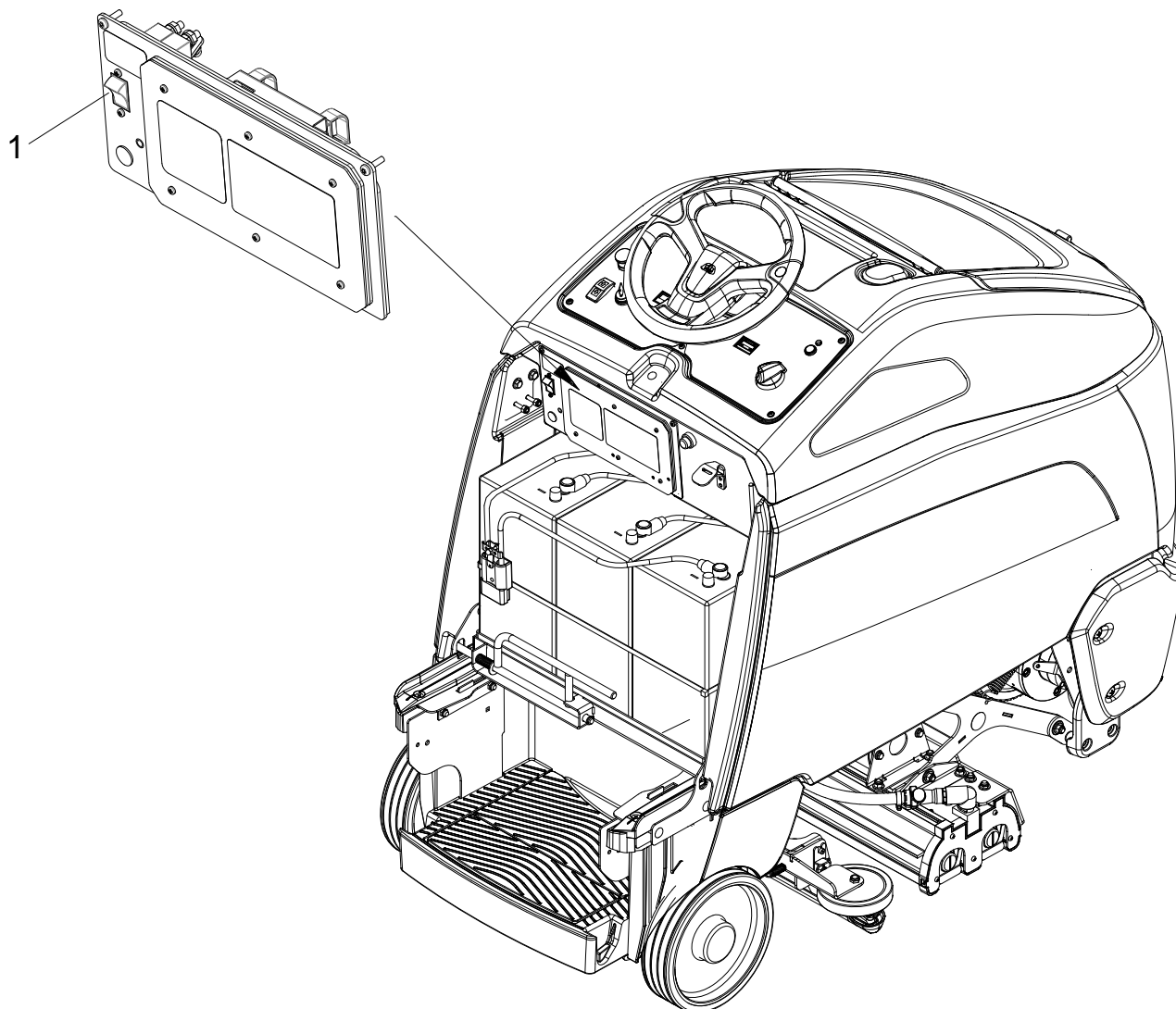
Preparation for Loading/Unloading Trailer

Scrub head must be in the up position before loading.

When transporting the machine on a trailer or in a truck, in addition to using tie-downs, be sure to set the parking brake, and block the tires to prevent the machine from rolling



Circuit Protection



Circuit Breakers

1. MAIN CIRCUIT BREAKER







Interrupts the flow of power from batteries in the event of an electrical overload. When the circuit breaker is tripped, it can be reset by pressing the toggle switch. If the circuit breaker continues to trip, the cause of the electrical overload must be corrected.

Troubleshooting

PROBLEM	CAUSE	SOLUTION
No power to machine	Battery disconnected	Check all battery cable connections
	Emergency shut-off activated	Reset
	Battery cables corroded	Clean connections
	Faulty key switch	Replace switch
	On board charger plugged in	Unplug and stow cord
	Main circuit breaker tripped	Reset circuit breaker
Little or no propel	Low battery charge	Charge batteries
	Machine turned on with pedal not in neutral position	Allow pedal to return to neutral. Restart.
	Tripped circuit breaker	Reset circuit breaker
	Wheels spin	Decrease brush pressure
	Controller overheated	Allow cool down period
	Loose motor connection	Check wires and connections from controller to motor
	Faulty throttle circuit or potentiometer	Check wires and connections from and potentiometer resistance
	Faulty drive reset circuit or switch	Check wires, connections and switch
	Faulty platform circuit or switch	Check wires, connections and switch
Machine does not change speeds	Faulty speed control circuit or switch	Check wires & connections
Forward speed only	Faulty forward/reverse circuit	Check wires & connections
Reverse speed only		
Poor or no water pickup	Debris caught on vacuum shoe	Remove debris
	Damaged vacuum shoe	Replace vacuum shoe
	Vacuum hose clogged	Clear obstruction from hose
	Vacuum hose disconnected from vacuum shoe	Reconnect vacuum hose
	Recovery tank float system dirty	Clean float system
	Recovery tank not sealed	Latch recovery tank lid to tank. Replace damaged gaskets
	Float-ball shut-off engaged, tank full	Empty recovery tank
	Foam filling recovery tank	Empty recovery tank. Use less or different detergent. Use defoamer.
	Vacuum shoe not contacting the floor correctly	Check vacuum shoe latch engagement
	Vacuum shoe clogged	Take vacuum shoe apart and clean
	Vacuum shoe not recovering efficiently	Verify gasket between cover and glide of vacuum shoe is installed correctly and not damaged.

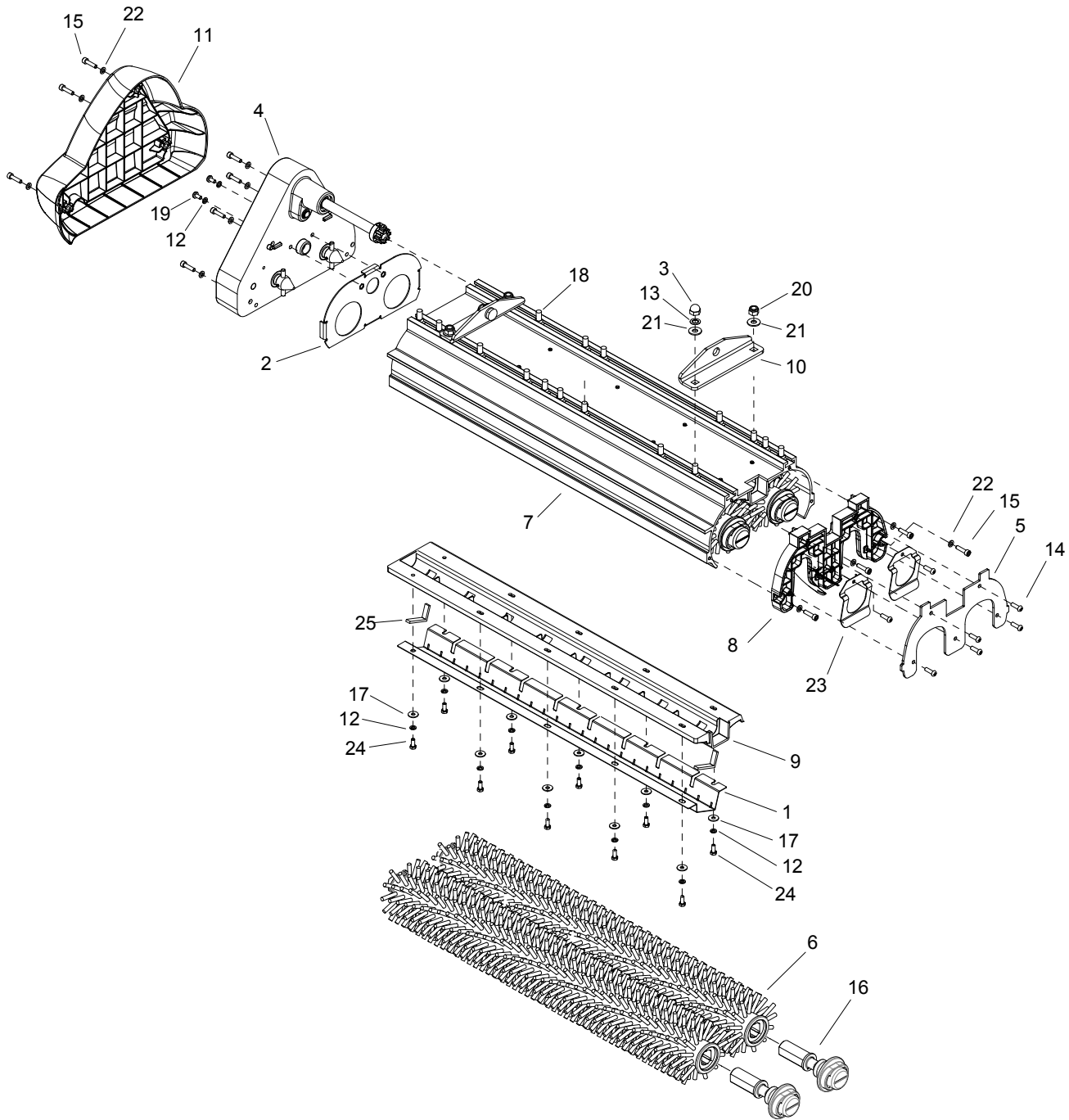
PROBLEM	CAUSE	SOLUTION
Vacuum motor does not run, or runs slowly	Faulty vacuum circuit or switch	Check wires connections and motor
	Worn vacuum motor brushes	Replace brushes, check commutator
Vacuum shoes will not go up/down	Faulty circuit or actuator	Check wires, connectors and actuator
Poor scrubbing performance	Debris caught in scrub brushes	Remove debris
	Worn brushes	Replace brushes
	Low battery charge	Charge batteries
Little or no solution flow to the floor	Solution tank empty	Fill solution tank
	Solution strainer plugged	Clean solution strainer
	Solution system plumbing obstructed	Clear obstruction from plumbing
	Solution solenoid valve obstructed or faulty.	Repair or replace solenoid valve
	Clogged or dirty manifold	Clean solution manifold
Brush motors do not run, or run slowly	Low battery charge	Charge battery
	Faulty brush circuit or motor	Check wires, connections and motor
	Worn brush motor brushes	Replace brushes, check commutator
Scrub deck goes down, then raises	Faulty actuator circuit or actuator	Check wire connections and actuator
Optional Off-Aisle pump runs, but no solution sprays from tool nozzle	Clogged spray nozzle.	Replace Nozzle
	Machine solution tank empty.	Fill solution tank
	While in off-aisle mode with wand/hand tool trigger squeezed, machine was turned off by key switch, or emergency stop switch.	Disconnect & reconnect solution supply hose to pump (relieves suction pressure buildup)
Optional Off-Aisle pump will not run	Pump harness in-line fuse blown	Replace fuse
	Fuse cap or fuse making bad connection	Remove fuse cap and fuse, reinstall

Controller Fault Codes

ERROR CODE DELUXE	PROBLEM	SOLUTION
	LOW BATTERY VOLTAGE	THE BATTERY NEEDS CHARGING OR THERE IS A BAD CONNECTION TO THE BATTERY
	TRACTION MOTOR DISCONNECTED	THE TRACTION MOTOR HAS A BAD CONNECTION, CHECK CONNECTIONS TO MOTOR
	TRACTION MOTOR CIRCUIT SHORT	THE TRACTION MOTOR HAS A SHORT CIRCUIT TO THE BATTERY
	AUX FAULT or ACTUATOR (DECK or SQUE) OVERCURRENT	CHECK AUX OUTPUT DEVICES, CHECK ALL ASSOCIATED WIRING TO AUX DEVICES
	VACUUM MOTOR TRIP	THE VACUUM MOTOR HAS EXCESSIVE CURRENT. CHECK FOR SHOR CIRCUITS OR OTHER DAMAGE.
	BRUSH MOTOR TRIP	THE BRUSH MOTOR HAS EXCESSIVE CURRENT, CHECK FOR SHORT CIRCUITS, PADS OR OTHER DAMAGE.
	THROTTLE TRIP ERROR	THE THROTTLE IS DEFLECTED OR ASSOCIATED WIRING HAS A BREAK OR SHORT CIRCUIT
	CONTROL SYSTEM TRIP	THE CONTROL SYSTEM IS IN ERROR, CHECK ALL CONNECTIONS TO CONTROLLER
	SOLENOID BRAKE	THE SOLENOID HAS A BAD CONNECTION, CHECK CONNECTION TO BRAKE
	HIGH BATTERY VOLTAGE	EXCESSIVE BATTERY VOLTAGE, CHECK FOR POOR BATTERY CONDITION

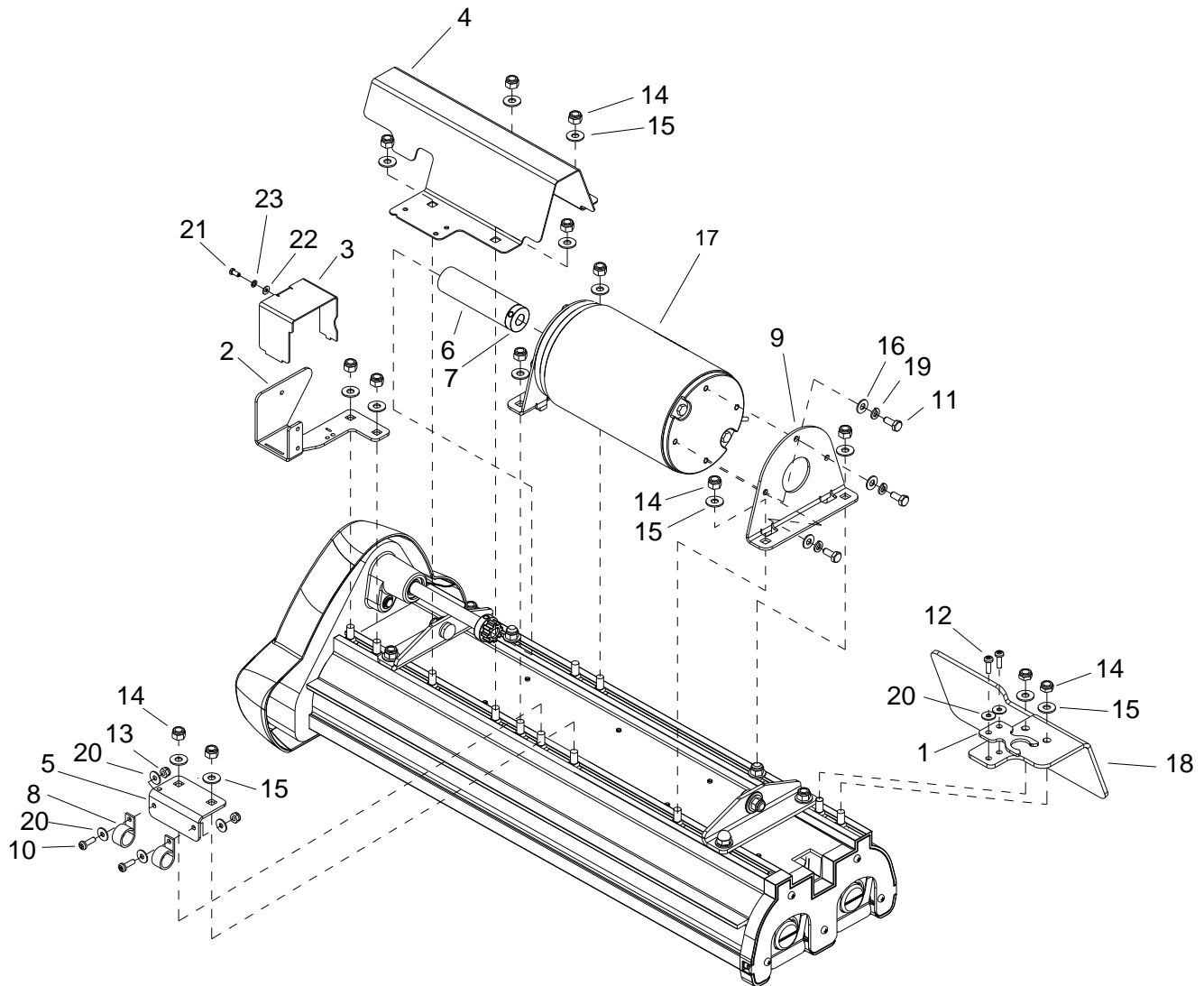
PARTS

Brush Deck 1

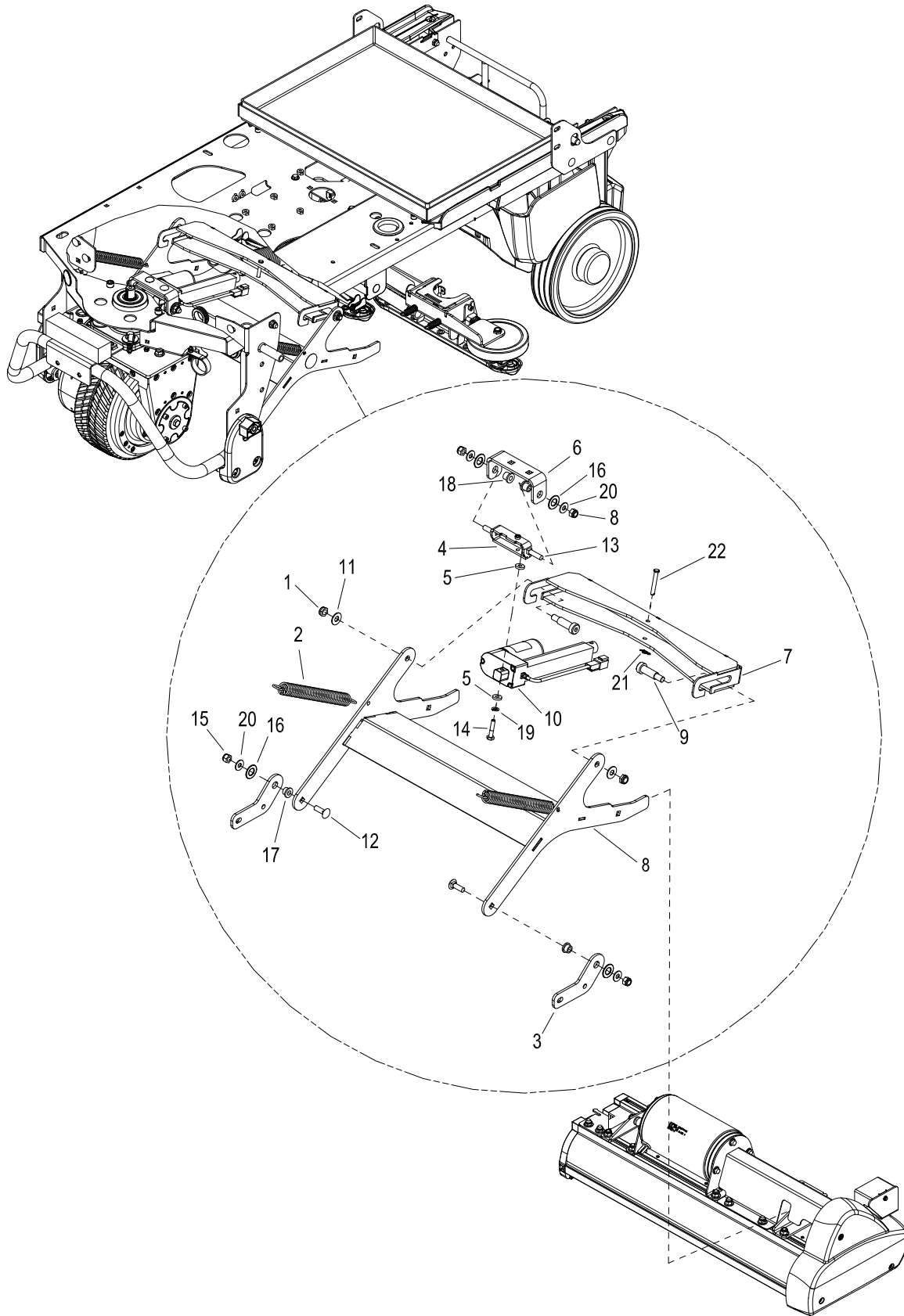


REF	PART NO.	QTY	DESCRIPTION	SERIAL NO. FROM	NOTES
1	86373280	1	RAIL, AGITATOR		
2	86372730	1	PLATE, BRUSH GUIDE		
3	86372040	1	NUT, 5/16-18 HEX ACORN, SS		
4	86371750	-	DRIVE, BRUSH DECK		SEE PAGE 60
5	86371510	1	COVER, END CAP, BRUSH CLIP		
6	86370500	2	BRUSH, EXTRACTOR, 4" OD X 26" L		
7	86374910	1	EXTRUSION, DUAL 4" BRUSH, 26"	(1*)	
8	86369150	1	END CAP, BRUSH CLIP		
9	86369070	1	MOUNT, SOLUTION MANIFOLD		
10	86341310	2	BRKT, BRUSH DECK PIVOT		
11	86339570	1	COVER, DRIVE HOUSING		
12	86331810	12	WASHER, M5 SPL SS		
13	86330990	1	WASHER, 5/16 INT STAR, SS		
14	86327510	7	SCR, KA50 x 16, WN1412 A2 SS		
15	86014990	7	SCREW, M5X20, SHCS, ISO4762, SS		
16	86373070	2	ASM, BRUSH END, NON-DRIVE		
17	86173330	10	WASHER, M5, FLAT, ISO7093, SS		
18	86276070	18	SCREW, 5/16-18 X 3/4 CARRIAGE SS		
19	86274290	2	SCREW, 10-32 X .375 PHPNHMS SS		
20	86270830	3	NUT, 5/16-18 HEX NYLOCK SS		
21	86010670	4	WASHER, 5/16 FLAT SS		
22	86173350	7	WASHER, M5, FLAT, ISO7089, SS		
23	86224630	2	SPRING, BRUSH CLIP		
24	86196300	10	SCREW, M5-.8 X 12 HHCS SS		
25	86374190	2	GASKET, .125 X .31 X 2.5		

* SEE SERIAL NUMBER PAGE

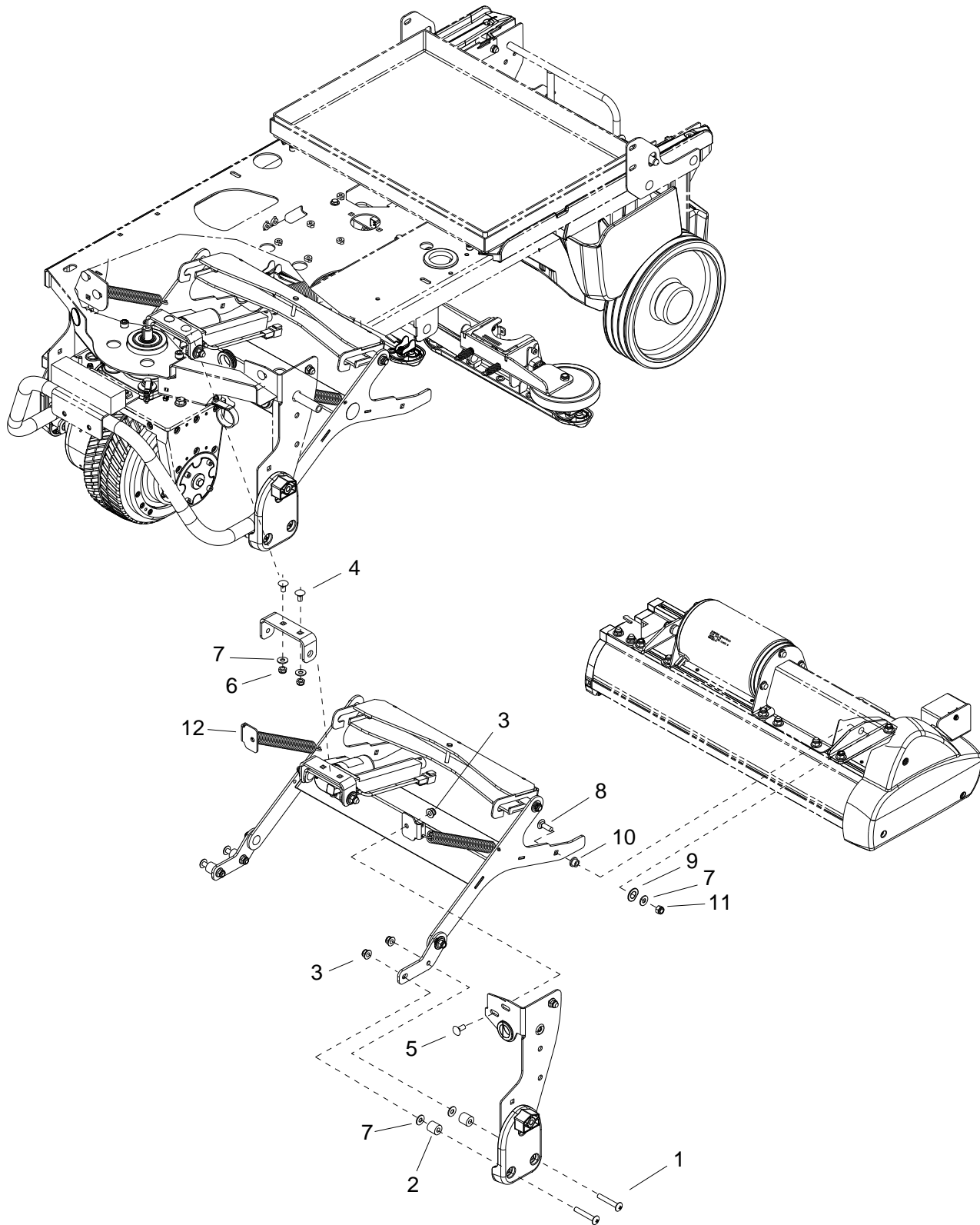


REF	PART NO.	QTY	DESCRIPTION	SERIAL NO. FROM	NOTES
1	86372830	1	CLIP, MANIFOLD		
2	86372680	1	BRACKET, SOLENOID		
3	86372670	1	COVER SOLENOID		
4	86371680	1	BRACKET, SHAFT COVER		
5	86371580	1	BRACKET, HOSE		
6	86370480	1	SLEEVE, 17 SH 4.09", HYTREL, GRN		
7	86370470	1	HUB, COUPLING, 18ES 1/2" D-BORE		
8	86354990	2	CLAMP, .75 DIA, FLEX LOOP, NYLON		
9	86340490	2	BRKT, MOTOR MOUNT		
10	86275470	2	SCREW, 10-32 X 5/8 PPHMS SS		
11	86273750	6	SCREW, 1/4-20 X 5/8 HHCS SS NP		
12	86006590	2	SCREW, 10-32 X .5 PHPNHMS SS NP		
13	86270990	2	NUT, 10-32 HEX NYLOCK SS		
14	86270830	16	NUT, 5/16-18 HEX NYLOCK SS		
15	86010670	18	WASHER, 5/16 FLAT SS		
16	86010630	6	WASHER, 1/4 ID X 5/8 OD SS		
17	86222130	1	MOTOR, 36VDC		
18	86373220	1	BRACKET, DECK BALANCE		
19	86173340	6	WASHER, SPLIT LOCK, 1/4, SS		
20	86173330	6	WASHER, M5, FLAT, ISO7093, SS		
21	86276220	1	SCREW, 8-32 X .375 HHMS SS		
22	86278990	1	WASHER, 8 X .375 X .032 FLT SS		
23	86134850	1	WASHER, SPRNG LK, M4, DIN127B, SST		

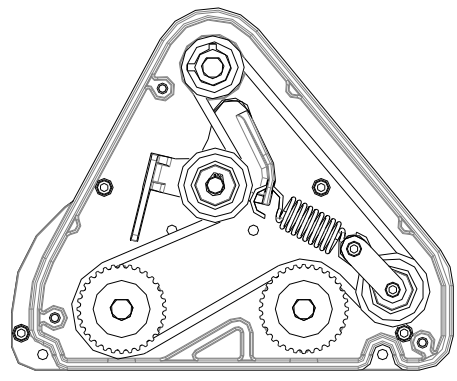
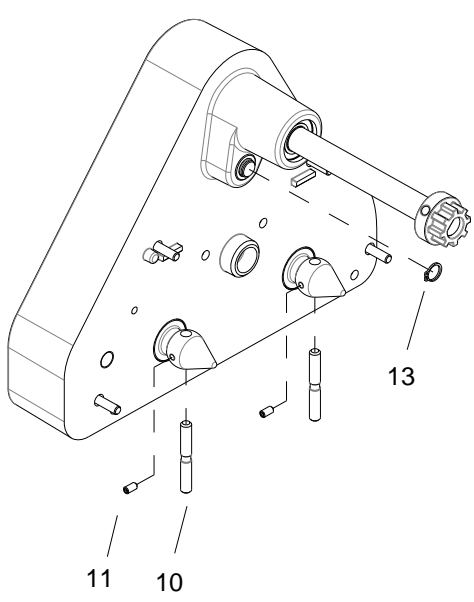
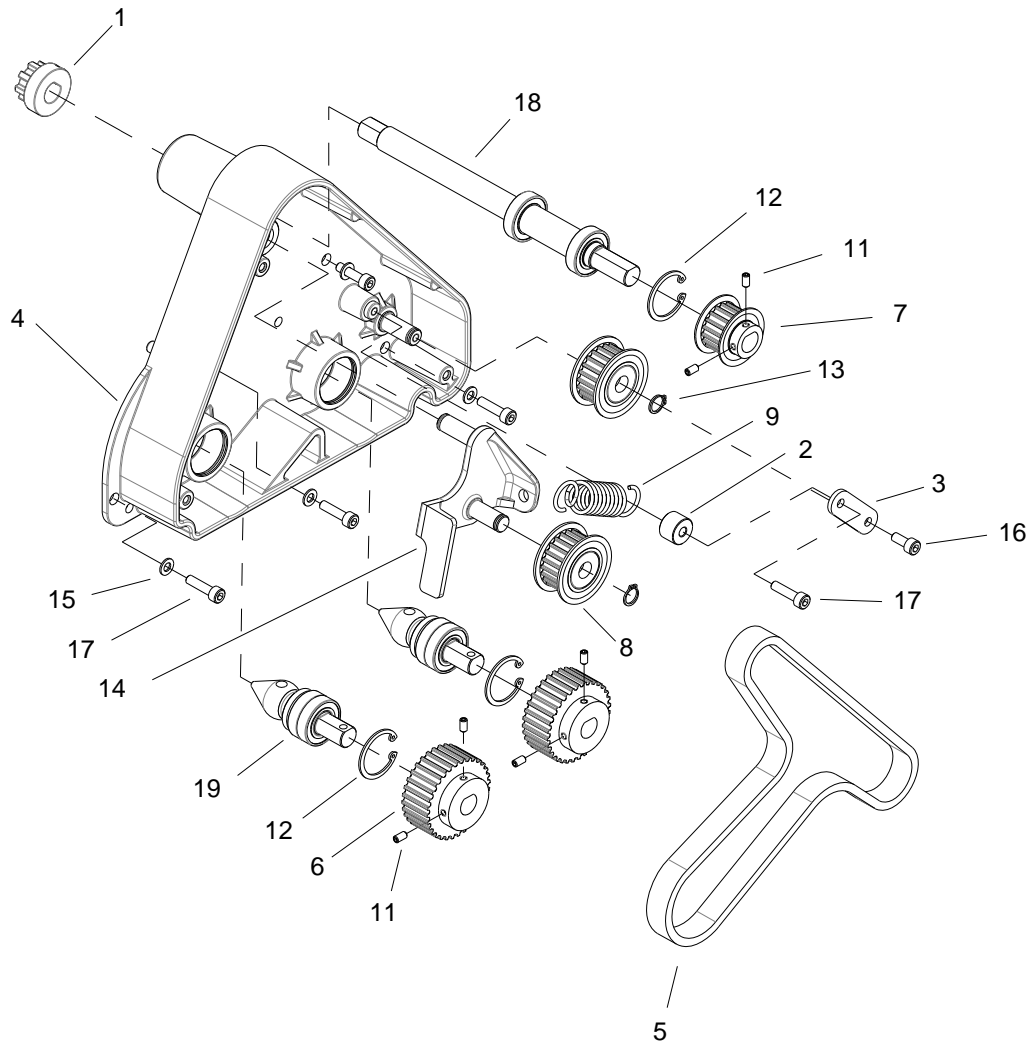


REF	PART NO.	QTY	DESCRIPTION	SERIAL NO. FROM	NOTES
1	86005630	2	NUT HEX NYL LOC-THIN SS 3/8-16		
2	86373170	2	SPRING, EXT .859OD X 5.75 L		
3	86372220	2	BRACKET, LIFT, LOWER, FRONT		
4	86377910	4	BRACKET ASM, ACTUATOR	(2*)	
5	86370420	2	WASHER, .257IDX.625ODX.125 NYL BLK		
6	86370400	1	BRKT, ACTUATOR, UPPER, OUTER		
7	86370390	1	BRKT, ACTUATOR, LOWER WLDMNT		
8	86370360	1	DECK LIFT WELDMENT		
9	86364020	2	SHOULDER BOLT, 1/2 X 1.25 SS		
10	86320880	1	ACT, 36VDC, 3.0" STK, 8.74 LNG		
11	86278910	2	WASHER, 3/8IDX7/8ODSS		
12	86277130	2	SCREW, 5/16-18X1.00 CARRIAGE SS		
13	86277030	2	SCREW, 5/16-18X1.25 CARRIAGE SS		
14	86273740	1	SCREW, 1/4-20 x 1.5 HHCS SS		
15	86270830	4	NUT, 5/16-18 HEX NYLOCK SS		
16	86259410	4	WASHER, THRUST.51 ID X1ODX.063		
17	86228990	2	BEARING, FLNGD, .314ID X.502OD		
18	86228840	2	BUSHING, .314 X .502 X .5 FLG		
19	86173340	1	WASHER, SPLIT LOCK, 1/4, SS		
20	86010670	4	WASHER, 5/16 FLAT SS		
21	86008650	1	PIN, COTTER RING 1/4 X .041 X .844		
22	86006250	1	PIN, CLEVIS 1/4 X 1.75 STL ZNPLT		

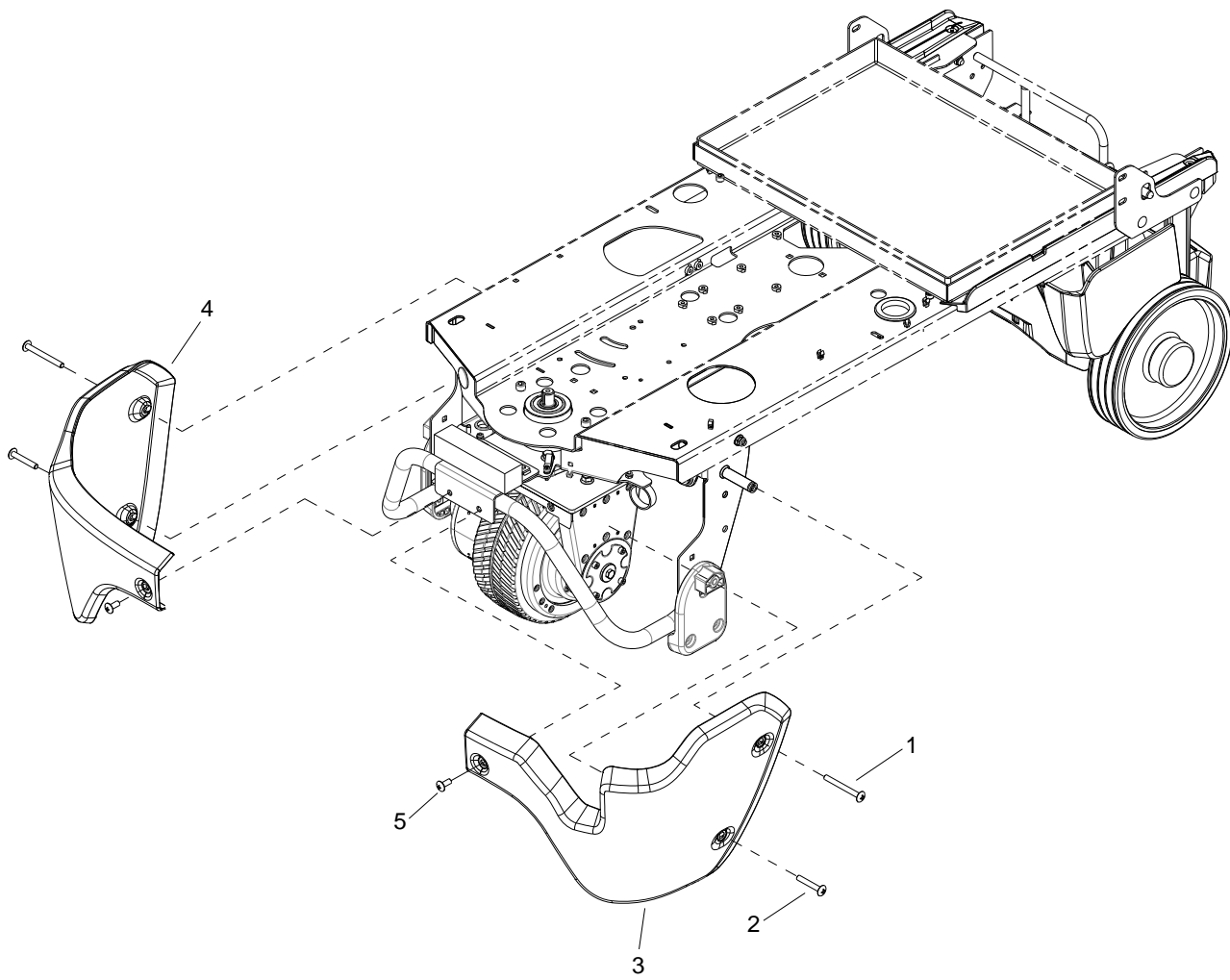
* SEE SERIAL NUMBER PAGE



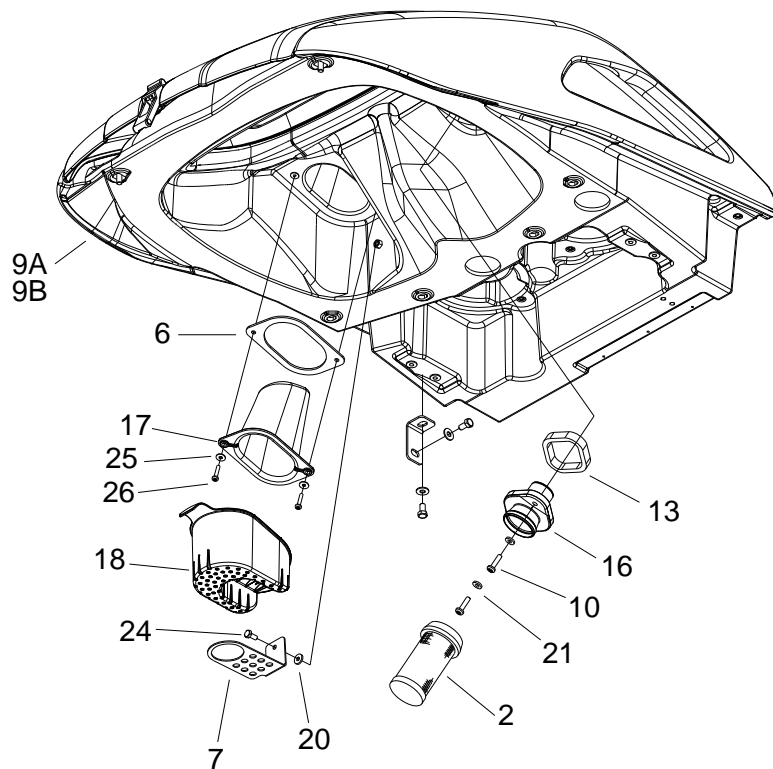
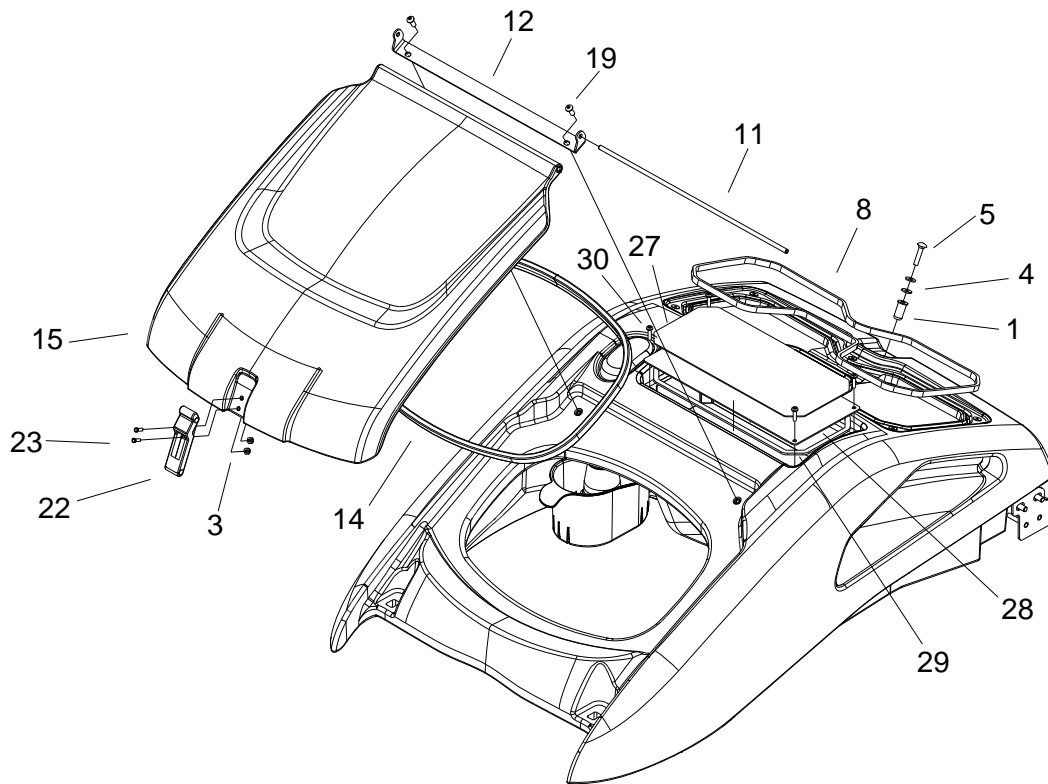
REF	PART NO.	QTY	DESCRIPTION	SERIAL NO. FROM	NOTES
1	86370830	4	SCREW, 5/16-18 X 2.0, PNH, MS, SS		
2	86370120	4	SPACER, .319DX.75DX.75L,AL		
3	86368240	6	NUT,5/16-18,FLGNYLOCK,SS		
4	86277410	2	SCREW, 5/16-18 X .625 CARR SS		
5	86276070	2	SCREW, 5/16-18 X 3/4 CARRIAGE SS		
6	86271840	2	NUT, 5/16-18 HEX NYLOCK THIN SS		
7	86010670	6	WASHER, 5/16 FLAT SS		
8	86277130	2	SCREW, 5/16-18X1.00 CARRIAGE SS		
9	86259410	2	WASHER, THRUST.51 ID X1ODX.063		
10	86228990	2	BEARING,FLNGD,.314ID X.502OD		
11	86270830	2	NUT, 5/16-18 HEX NYLOCK SS		
12	86373190	2	BRKT, SPRING HANGER		



REF	PART NO.	QTY	DESCRIPTION	SERIAL NO. FROM	NOTES
1	86370470	1	HUB, COUPLING, 18ES 1/2" D-BORE		
2	86349800	1	SPACER, 15.9OD X 5.3ID X 11L		
3	86349790	1	PLATE, SUPPORT		
4	86343870	1	HOUSING ASM, BRUSH DRIVE		
5	86343860	1	BELT, TWIN 5MM GT2, 15W, 130T		
6	86343850	2	PULLEY, 32T 5MM GT, 15W		
7	86343840	1	PULLEY, 18T 5MM GT, 15W		
8	86343830	2	PULLEY ASM, 22T 5MM GT, 15W		
9	86224660	1	SPRING, TENSIONER		
10	86224170	2	SHAFT, 6.2MM BRUSH DRIVE		
11	86223780	8	SCREW, M4-.7 X 8 SCHSET CUP STL BLKOX		
12	86223520	3	RING, 28MM INT SNAP PHOSPHATE		
13	86223490	3	RING, 10MM EXT SNAP, DIN 471		
14	86215870	1	BRKT, TENSIONER ARM		
15	86173350	4	WASHER, M5, FLAT, ISO7089, SS		
16	86172950	1	SCREW, M5X12, SHCS, ISO4762, SS		
17	86014990	5	SCREW, M5X20, SHCS, ISO4762, SS		
18	86012830	1	SHAFT ASM, DRIVE 24"		
19	86012790	2	SHAFT ASM, BRUSH DRIVE		

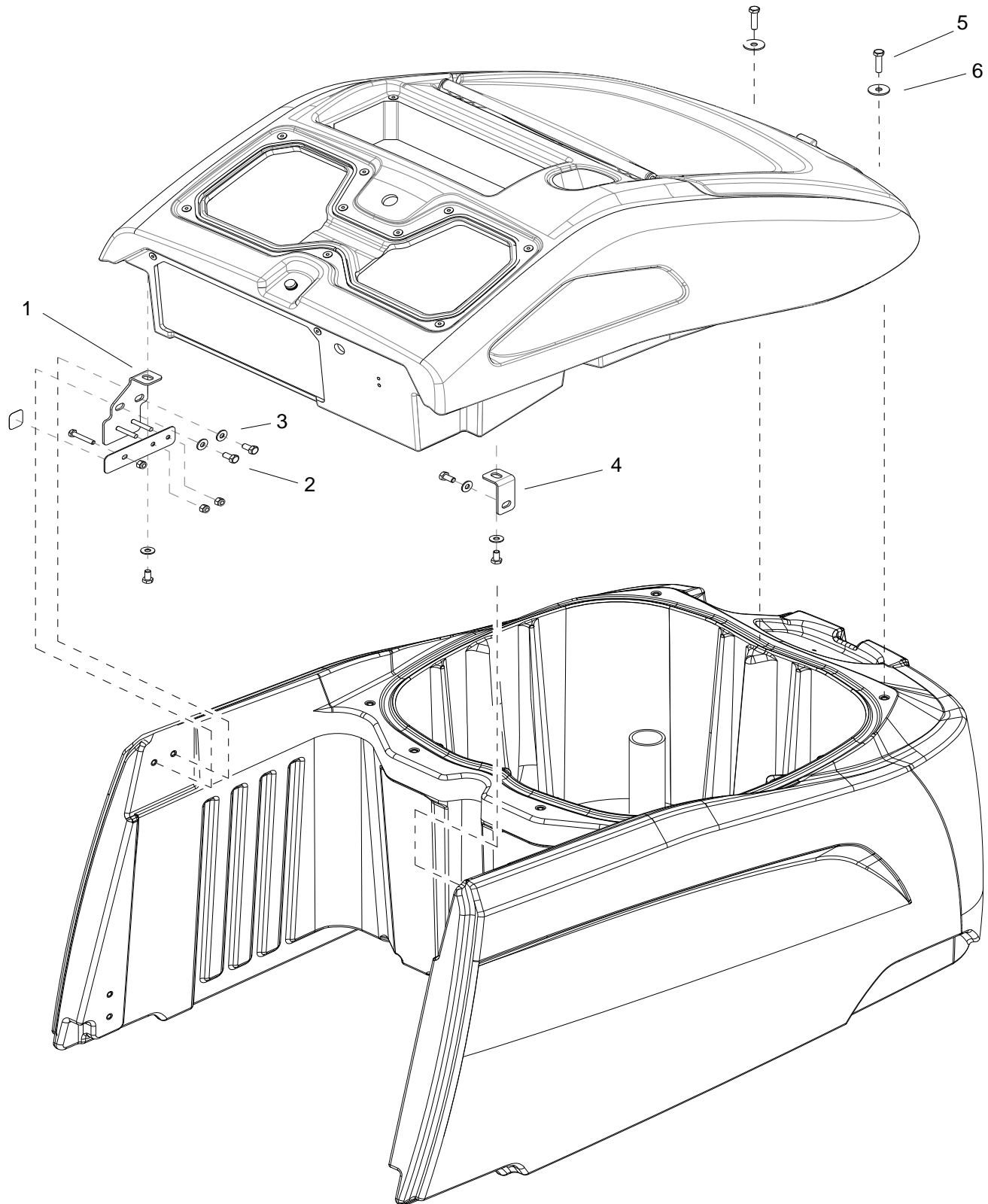


REF	PART NO.	QTY	DESCRIPTION	SERIAL NO. FROM	NOTES
1	86361960	2	SCR, 5/16-18 X 3.0 PTHMS SS		
2	86361950	2	SCR, 5/16-18 X 2.0 PTHMS SS		
3	86359000	1	BUMPER, LEFT, GRAY		
4	86358960	1	BUMPER, RIGHT, GRAY		
5	86276890	2	SCREW 5/16-18X3/4 PTHMS SS		



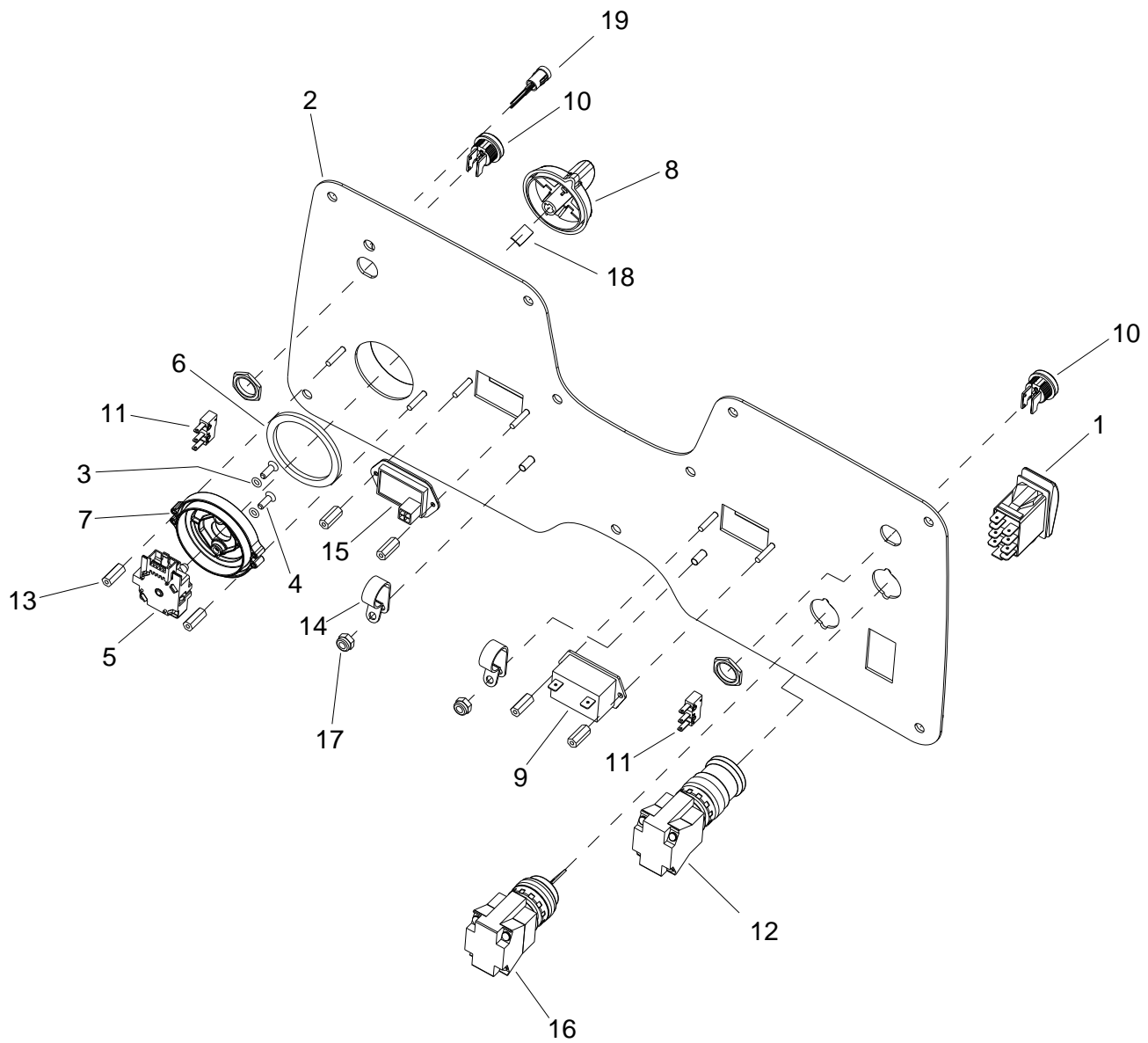
REF	PART NO.	QTY	DESCRIPTION	SERIAL NO. FROM	NOTES
1	86005620	1	NUT, 1/4-20 X .962 WELL		
2	86199840	1	FLOAT SCREEN CAGE ASSY (SLIP)		
3	86272020	2	NUT, 8-32 HEXTHIN NYLOCK SS		
4	86361770	2	WASHER, 1/4 SAE FLAT SS		
5	86361760	1	SCREW, 1/4-20 X 1.25 CARRIAGE SS		
6	86361410	1	GASKET, SIGHT GLASS DOME		
7	86360770	1	BRKT, RECOVERY TUBE		
8	86360700	1	GASKET, .188 X .37 X 53.2		
9A	86374120	1	CONSOLE, IEXTRACT 26		
9B	86369060	1	CONSOLE, OBC, IEXTRACT 26		OPTIONAL - CEC26
10	86006530	2	SCREW, 1/4-20 X 1 PPHMS SS		
11	86360260	1	SHAFT, .25 X 15.80, SS		
12	86360140	1	BRKT, LID HINGE		
13	86359560	1	GASKET, FLOAT SCREEN ADAPTER		
14	86359220	1	GASKET, LID, 48.5"		
15	86359100	1	LID, RECOVERY		
16	86359090	1	ADAPTER, FLOAT SCREEN		
17	86359050	1	DOME, SIGHT GLASS		
18	86359020	1	BASKET, FILTER, RECOVERY TANK		
19	86324210	2	SCREW, 1/4-20 X 5/8 BHCS BLK		
20	86323300	1	WASHER, 1/4" RUBBER		
21	86279610	2	WASHER, SEAL 1/4X5/8OD SS		
22	86161800	1	LATCH, CONCEALED KEEPER		
23	86277620	2	SCREW, 8-32 X .5 HHCS SS		
24	86273750	1	SCREW, 1/4-20 X 5/8 HHCS SS		
25	86010650	2	WASHER, #10 X 9/16 OD		
26	86329570	2	SCR, 10-32 X 1.0 TORX SS BLK PLTD		
27	86371490	1	PAD, CONSOLE IEXTRACT 26		USED WITH 9A
28	86374830	1	COVER, STEERING ACCESS		USED WITH 9A
29	86371500	1	GASKET, .188 X .31 X 36.0		USED WITH 9A
30	86371410	4	SCREW, 10-32 X .75 TMS SS BLK		

Console Mounting



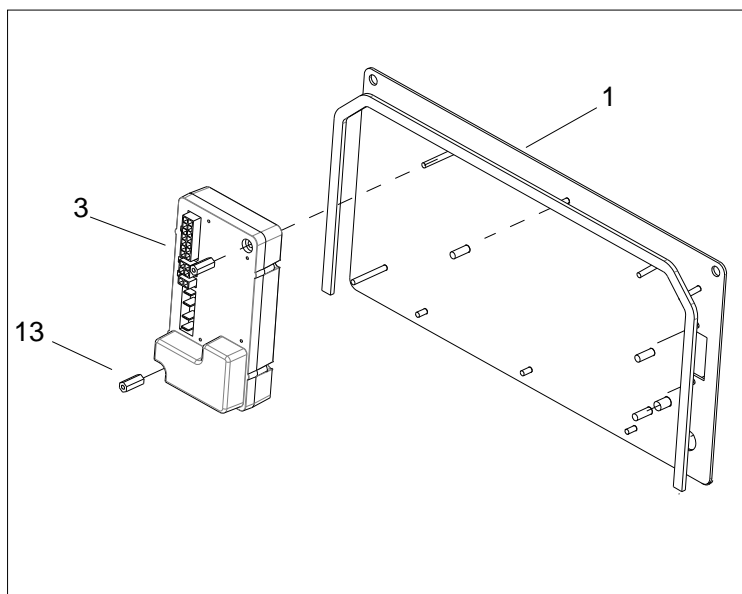
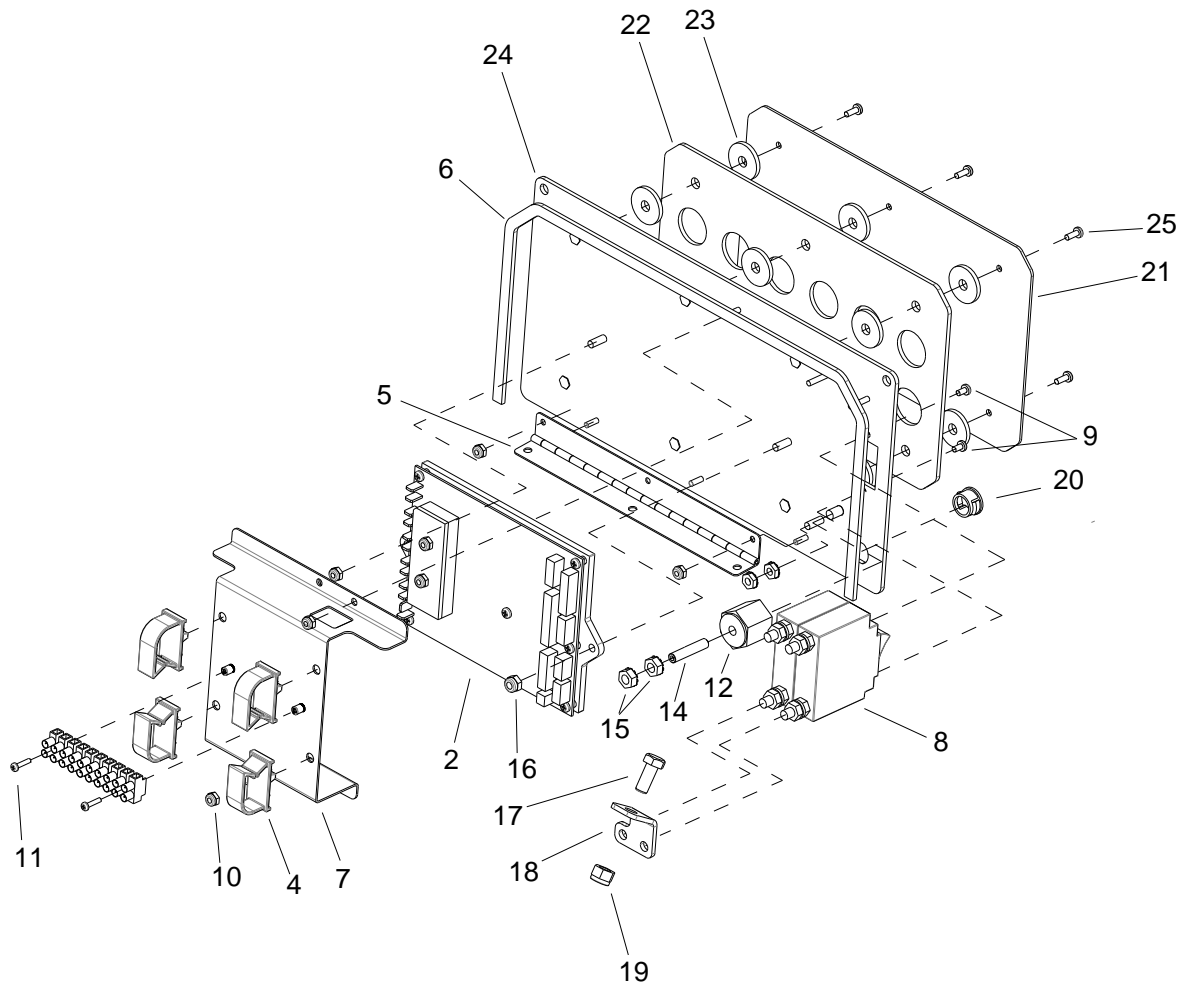
REF	PART NO.	QTY	DESCRIPTION	SERIAL NO. FROM	NOTES
1	86360300	1	BRKT, CONSOLE MT LT		
2	86276490	5	SCREW 5/16-18 X 5/8 HHCS SS		
3	86010670	5	WASHER 5/16 FLAT SS		
4	86360290	1	BRKT, CONSOLE MT RT		
5	86367960	2	SCR, 5/16-18 X 1.38 HHCS SS		
6	86367250	2	WASHER, .344ID X 1.13OD X .09T SS		

Control Panel - Upper



REF	PART NO.	QTY	DESCRIPTION	SERIAL NO. FROM	NOTES
1	86362590	1	SWITCH, SPDT 3 POSN MOM, ARROW		
2	86360690	1	PANEL, CONTROL UPPER, CS26		
3	86358440	2	O-RING, 4MM ID, 1.5MM THK, BUNA-N		
4	86358430	2	SCR, M4X12, FHMS, ISO7046, SS NP		
5	86354870	1	SWITCH, ROTARY		
6	86354810	1	GASKET, ROTARY SWITCH		
7	86354560	1	BEZEL, ROTARY SWITCH		
8	53217380	1	KNOB, SELECTION		
9	86315470	1	METER, HOUR, LCD		
10	86295200	2	ASM, BUTTON, BLACK, W/BEZEL		
11	86292780	2	SWITCH,MICRO		
12	86292590	1	SWITCH, E-STOP AKW CHARIOT		
13	86255900	6	STANDOFF, 6-32 X 5/8 HEX NYL		
14	86198460	2	CLAMP, 5/8 NYLON		
15	86012670	1	METER, 36V BATTERY		
16	86007190	1	SWITCH, KEY DPST		
17	86005640	2	NUT, 10-32 HEX NYLOCK		
18	63130140	1	SPRING ELEMENT		
19	86367100	1	LED, WATER INDICATOR		

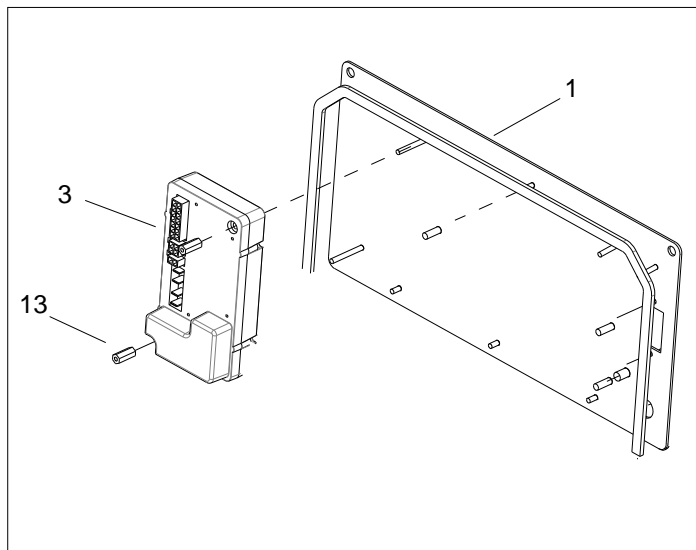
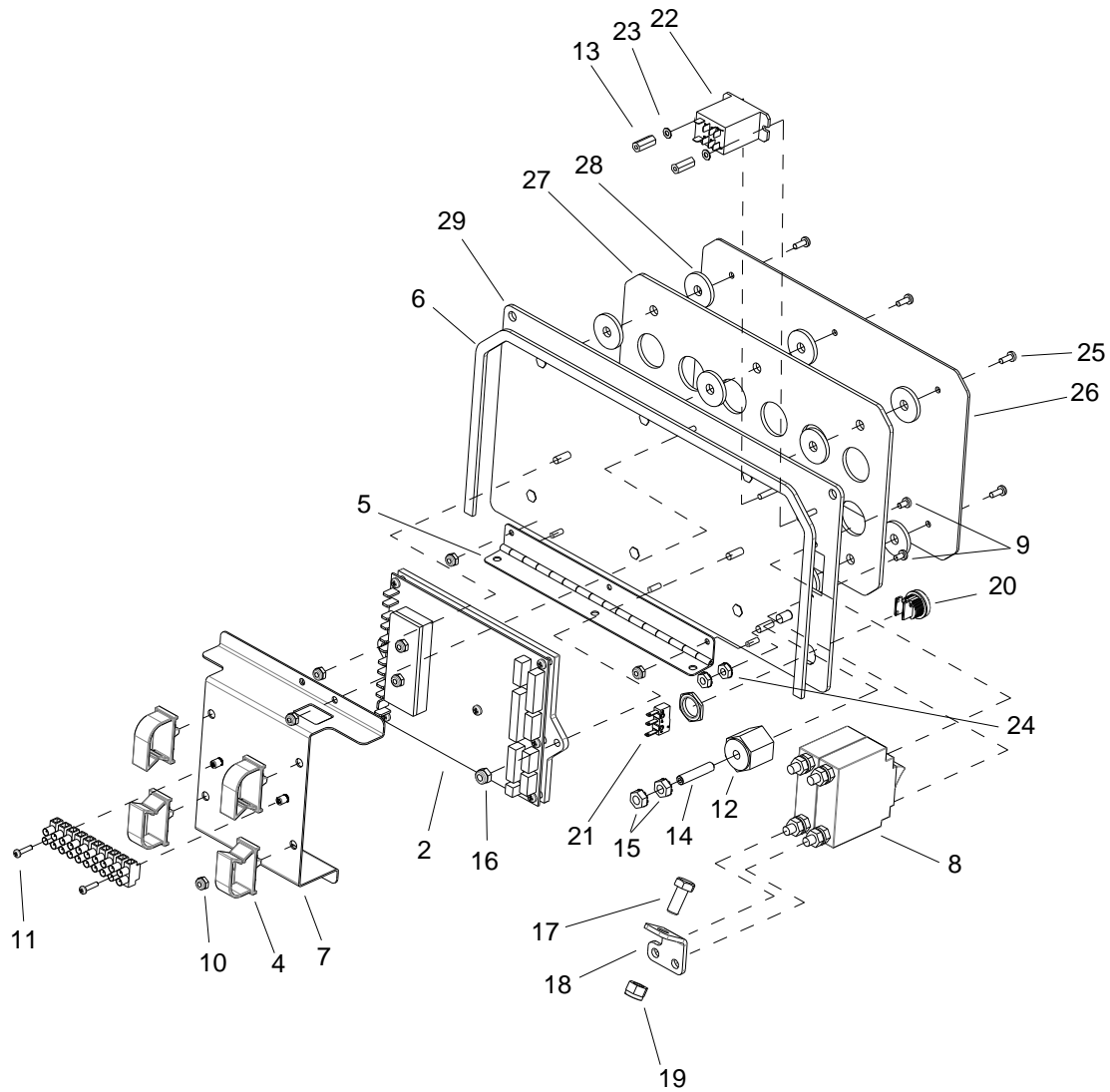
Control Panel - Lower



REF	PART NO.	QTY	DESCRIPTION	SERIAL NO. FROM	NOTES
1	86370170	1	PANEL, LOWER. IEXTRACT 26		
2	86370180	1	PICDUO ASSEMBLY, IEXTRACT26		
3	86372840	1	CONTROLLER, I-DRIVE, IEXTRACT 26		
4	86361520	4	CLIP, CABLE ENTRY		
5	86361420	1	HINGE, PANEL		
6	86360890	1	GASKET, .188 X .31 X 23.6		
7	86360880	1	COVER, CONTROL BOARD		
8	86369020	1	BREAKER, 60A 2 - POLE		
9	86006620	2	SCREW, 6-32 X 1/4 PPHMS SS		
10	86270920	4	NUT, 6-32 HEX NYLOCK SS		
11	86275260	2	SCR, 4-40 X 1/2 PPHMS		
12	86255910	1	STANDOFF, 1/4-20 X 1.0 HEX INS		
13	86255900	2	STANDOFF, 6-32 X 5/8 HEX NYL		
14	86006850	1	SCR, 1/4-20 X 1.25 SSSCU		
15	86005710	2	NUT, 1/4-20 HEX W/STAR		
16	86005640	2	NUT, 10-32 HEX NYLOCK		
17	86006760	1	SCREW, 5/16-18 X .75 HHCS GR5 ZNPLT NP		
18	86369480	1	BRKT, CABLE ATTACHMENT		
19	86271910	1	NUT, 5/16-18 FLEX LK STL GRA COPLT		
20	86250190	1	PLUG, DD .625 - .550		
21	86401380	1	PLATE, REAR CONSOLE, CE26	(6*)	
22	86400700	1	PLATE, HEATSINK, CE26	(6*)	
23	86400690	12	SPACER, .120, OD 1.0, ID .290	(6*)	
24	86401370	1	PANEL, CONTROLLER, CE26	(6*)	
25	86273990	6	SCREW, 6-32 X .375 PHPNHMS SS	(6*)	

* SEE SERIAL NUMBER PAGE

Control Panel - Lower with Off-Aisle - For Models 10061780 & 10061790

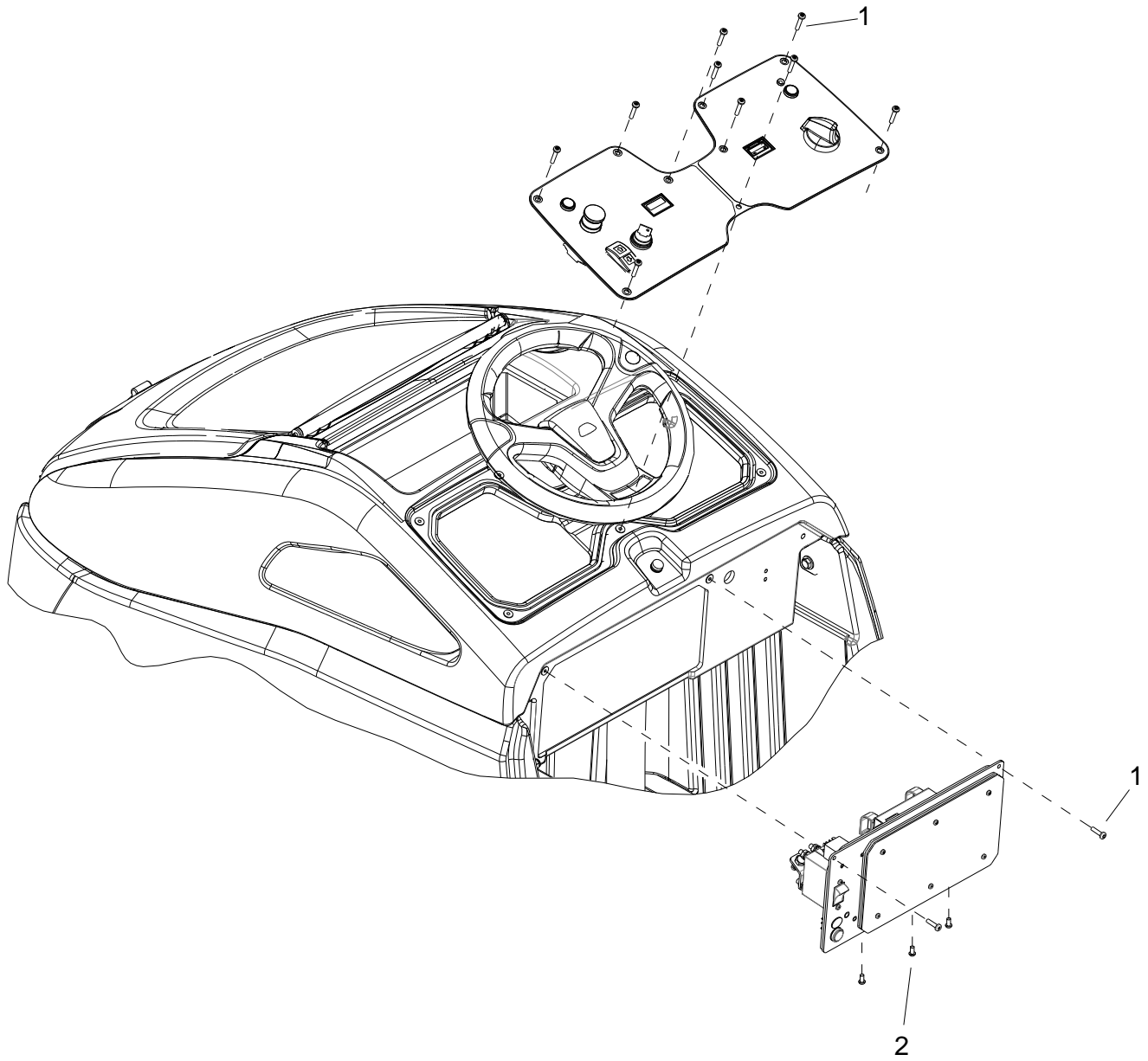


Control Panel - Lower with Off-Aisle - For Models 10061780 & 10061790

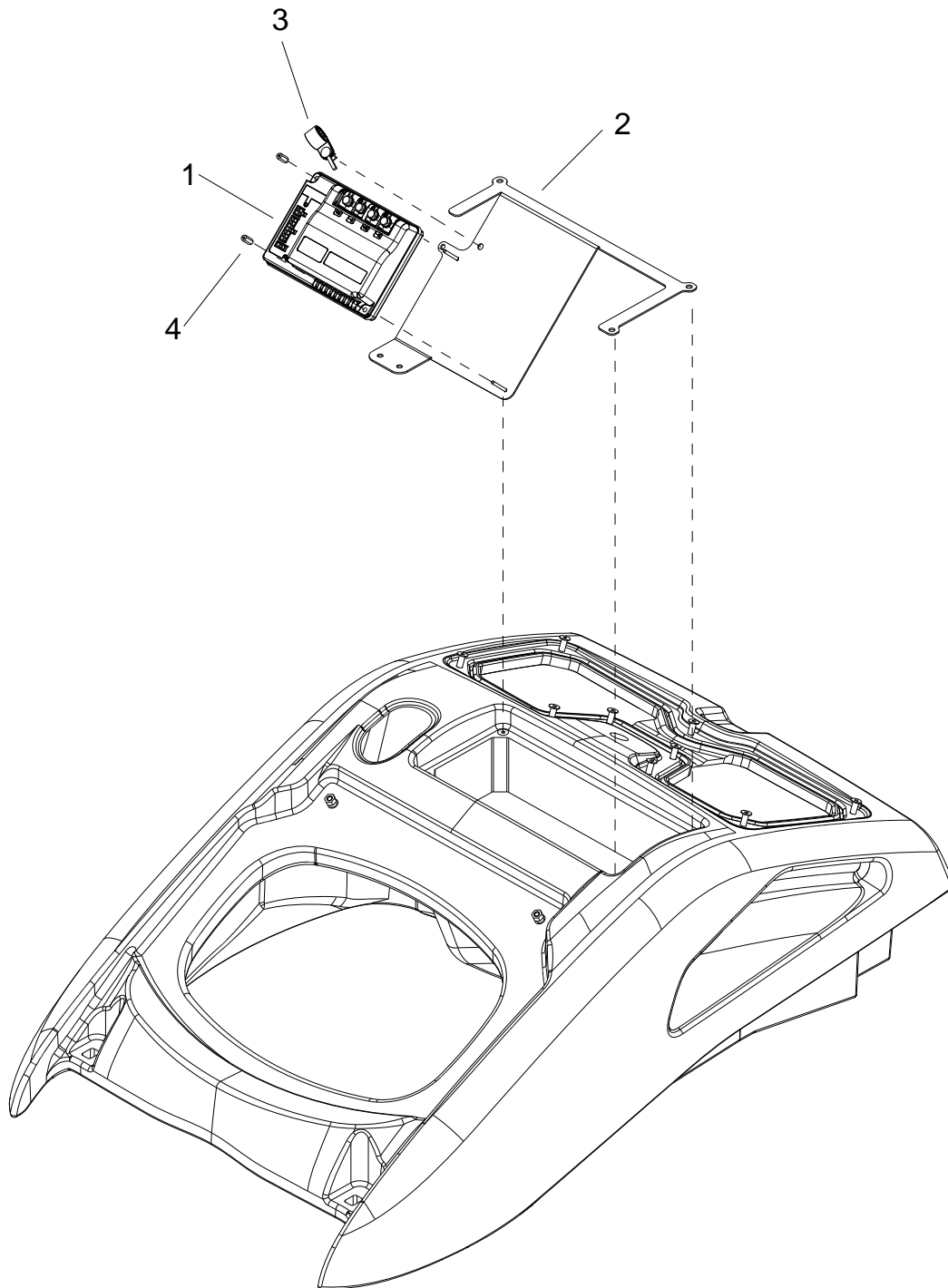
REF	PART NO.	QTY	DESCRIPTION	SERIAL NO. FROM	NOTES
1	86370170	1	PANEL, LOWER. IEXTRACT 26		
2	86370180	1	PICDUO ASSEMBLY, IEXTRACT26		
3	86372840	1	CONTROLLER, I-DRIVE, IEXTRACT 26		
4	86361520	4	CLIP, CABLE ENTRY		
5	86361420	1	HINGE, PANEL		
6	86360890	1	GASKET, .188 X .31 X 23.6		
7	86360880	1	COVER, CONTROL BOARD		
8	86369020	1	BREAKER, 60A 2 - POLE		
9	86006620	2	SCREW, 6-32 X 1/4 PPHMS SS		
10	86270920	4	NUT, 6-32 HEX NYLOCK SS		
11	86275260	2	SCR, 4-40 X 1/2 PPHMS		
12	86255910	1	STANDOFF, 1/4-20 X 1.0 HEX INS		
13	86255900	2	STANDOFF, 6-32 X 5/8 HEX NYL		
14	86006850	1	SCR, 1/4-20 X 1.25 SSSCU		
15	86005710	2	NUT, 1/4-20 HEX W/STAR		
16	86005640	2	NUT, 10-32 HEX NYLOCK		
17	86006760	1	SCREW, 5/16-18 X .75 HHCS GR5 ZNPLT NP		
18	86369480	1	BRKT, CABLE ATTACHMENT		
19	86271910	1	NUT, 5/16-18 FLEX LK STL GRA COPLT		
20	86295200	1	ASM, BUTTON, BLACK, W/BEZEL		
21	86292780	1	SWITCH, MICRO		
22	86251410	1	RELAY 15A 36V MINI		
23	86279020	2	WASHER #6 LOCK EXT STAR SS		
24	86005700	2	NUT 10-32 W/STAR WASHER PLTD		
25	86273990	6	SCREW, 6-32 X .375 PHPNHMS SS	(6*)	
26	86401380	1	PLATE, REAR CONSOLE, CE26	(6*)	
27	86400700	1	PLATE, HEATSINK, CE26	(6*)	
28	86400690	12	SPACER, .120, OD 1.0, ID .290	(6*)	
29	86401370	1	PANEL, CONTROLLER, CE26	(6*)	

* SEE SERIAL NUMBER PAGE

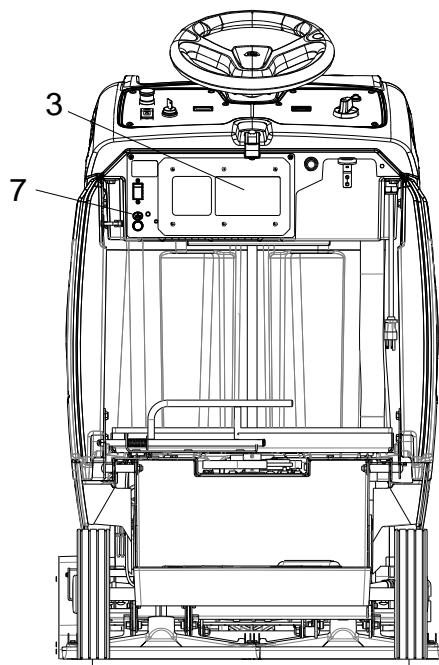
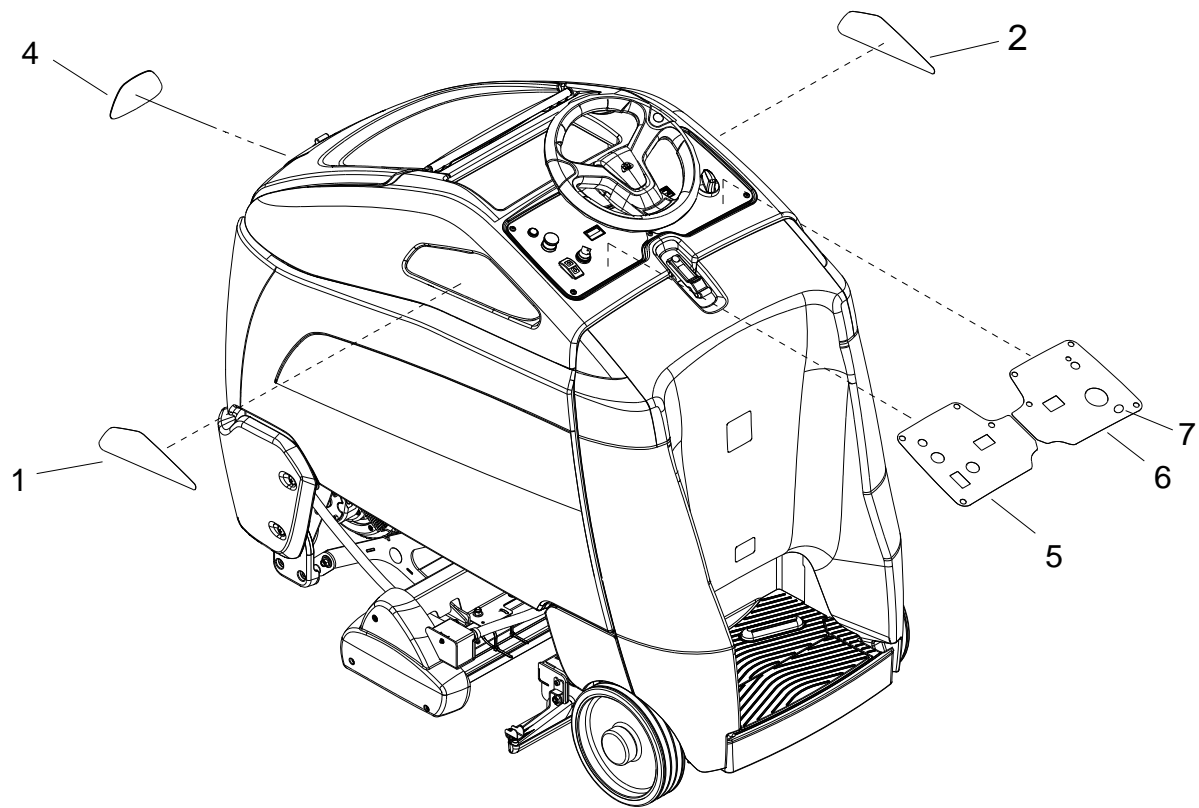
Controls Panel Mounting



REF	PART NO.	QTY	DESCRIPTION	SERIAL NO. FROM	NOTES
1	86371410	11	SCR, 10-32 X .75 TMS SS BLK		
2	86172980	3	SCR, KA50X10,PT OHS,WN1412,PLTD		

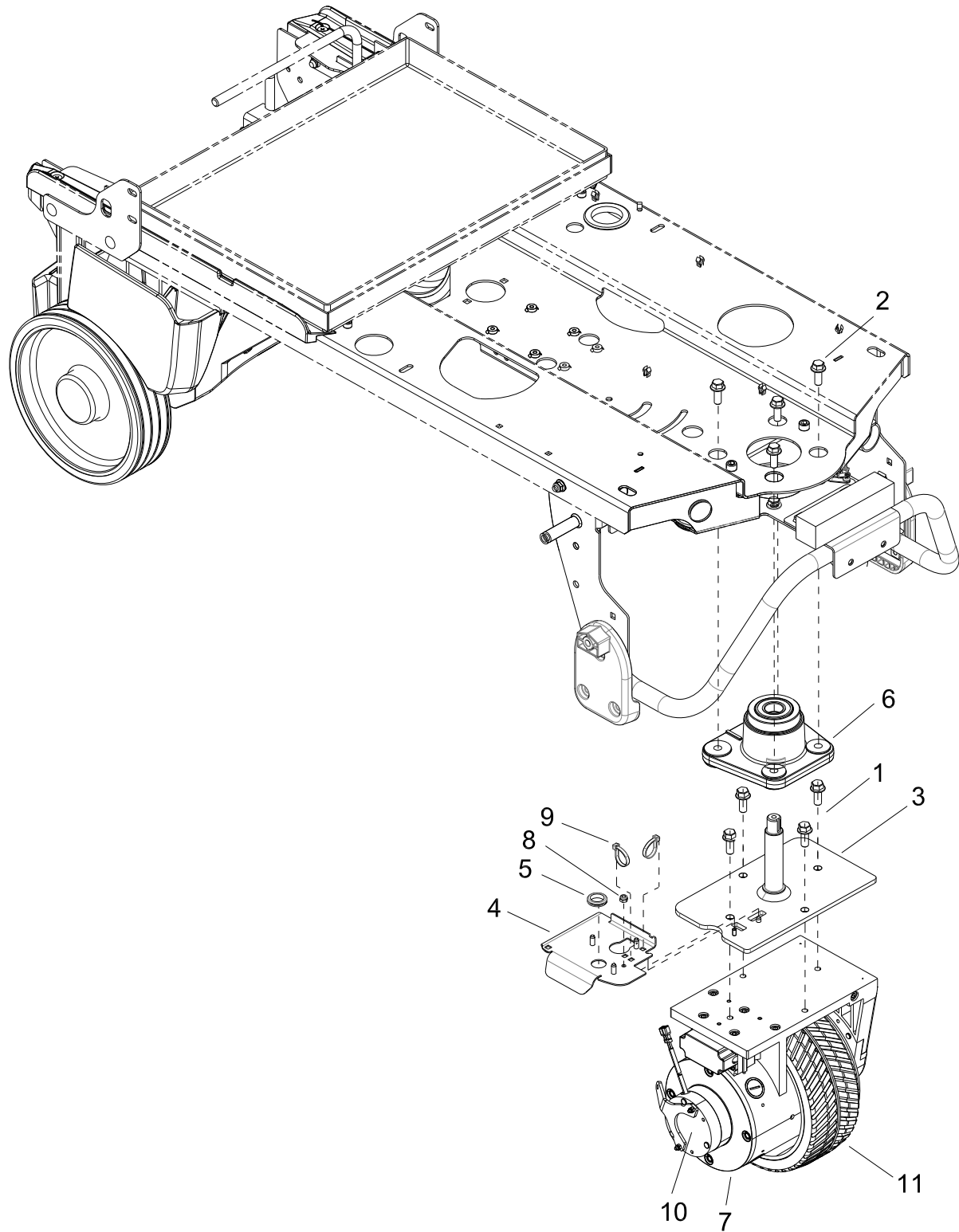


REF	PART NO.	QTY	DESCRIPTION	SERIAL NO. FROM	NOTES
1	86401610	1	CONTROLLER, I-DRV iEXTRACT 26, 36V, 200A		
2	86401450	1	BRACKET, CONTROLLER CE26		
3	86361230	1	CLAMP, PAN 3/4"		
4	86255900	2	STANDOFF, 6-32 X 5/8 HEX NYL		

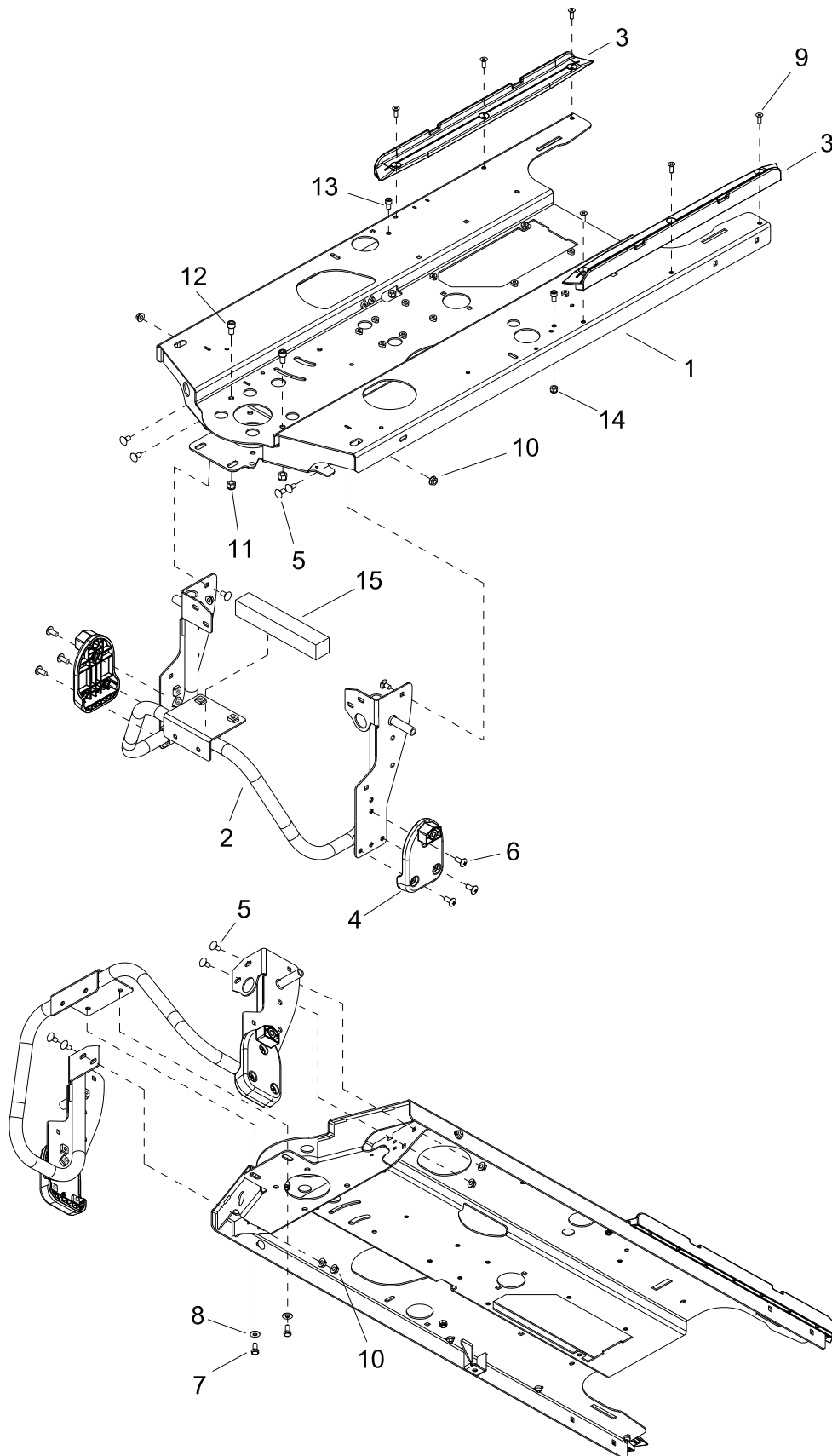


REF	PART NO.	QTY	DESCRIPTION	SERIAL NO. FROM	NOTES
1	86371270	1	LABEL, IEXTRACT 26, SIDE, LEFT		
2	86371280	1	LABEL, IEXTRACT 26, SIDE, RIGHT		
3	86362940	1	LABEL, BATTERY CABLING		
4	86004970	1	LABEL, WINDSOR LOGO DOMED		
5	86361790	1	LABEL, CS26, CONTROL, LEFT		
6	86371440	1	LABEL, CONTROL RIGHT IEXTRACT 26		
7	86391490	2	LABEL, OFF-AISLE, iEXTRACT 26	(4*)	OFF-AISLE ONLY

* SEE SERIAL NUMBER PAGE

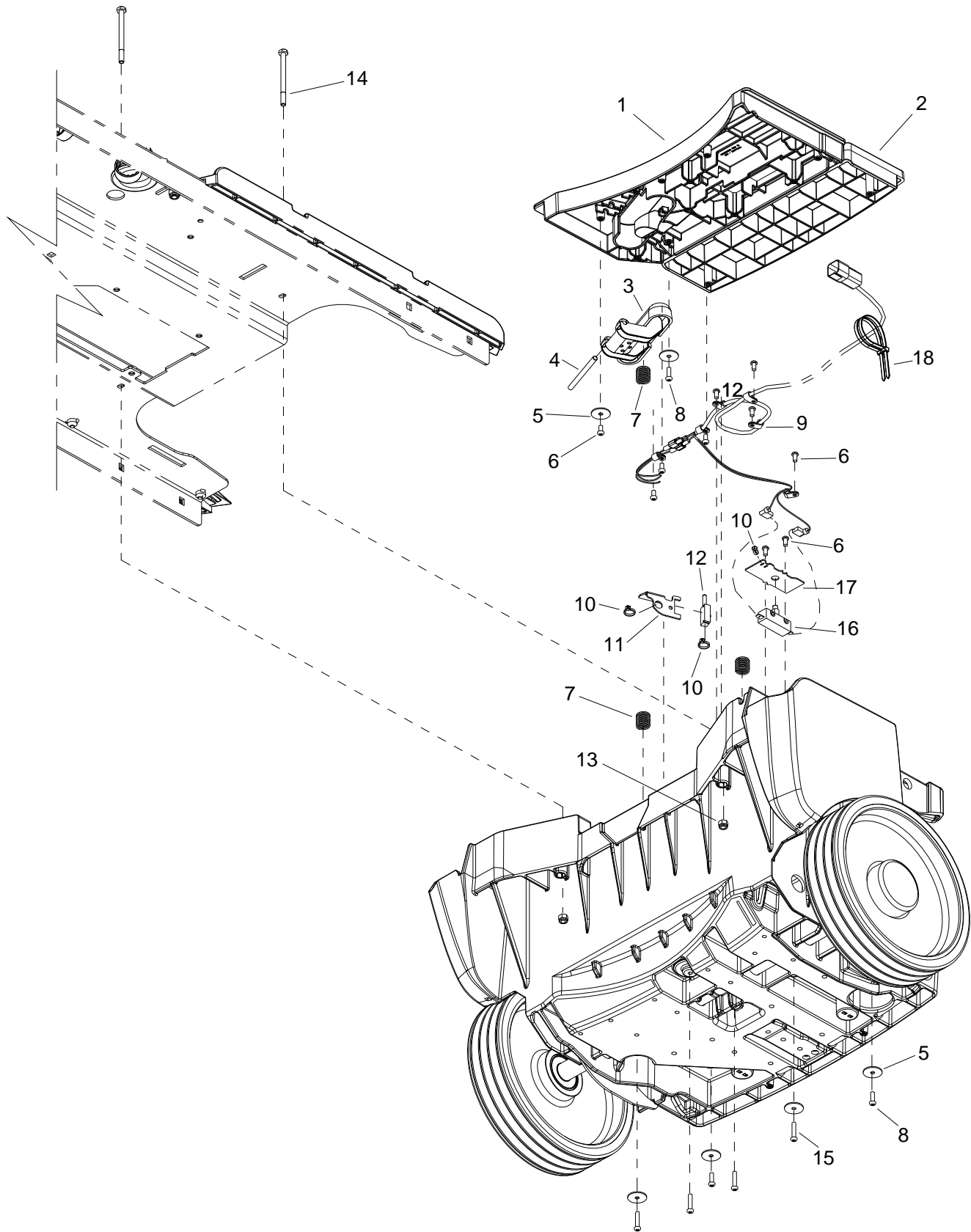


REF	PART NO.	QTY	DESCRIPTION	SERIAL NO. FROM	NOTES
1	86366140	4	M10 X 25MM, FLANGE HH BOLT, GR 10.9		
2	86366130	4	3/8-16 X 1, FLANGE HH BOLT, GR 8		
3	86364130	1	ASM, SHAFT DRIVE MOTOR		
4	86361070	1	BRKT, WIRING, DRIVE UNIT		
5	86218360	1	GROMMET, 3/4 ID X 7/8 GROOVE		
6	86357870	1	ASM, BEARING BLOCK, FRT DRIVE		
7	86357120	1	HUB, DRIVE WHEEL MOTOR, 36V		COMPLETE
8	86270990	1	NUT, 10-32 HEX NYLOCK SS		
9	86264940	2	CABLE TIE, 11.38" UL/CSA		
10	86357130	1	BRAKE		
11	64358540	1	WHEEL DRIVE WHEEL MOTOR		
-	66132310	-	CARBON BRUSH SET		

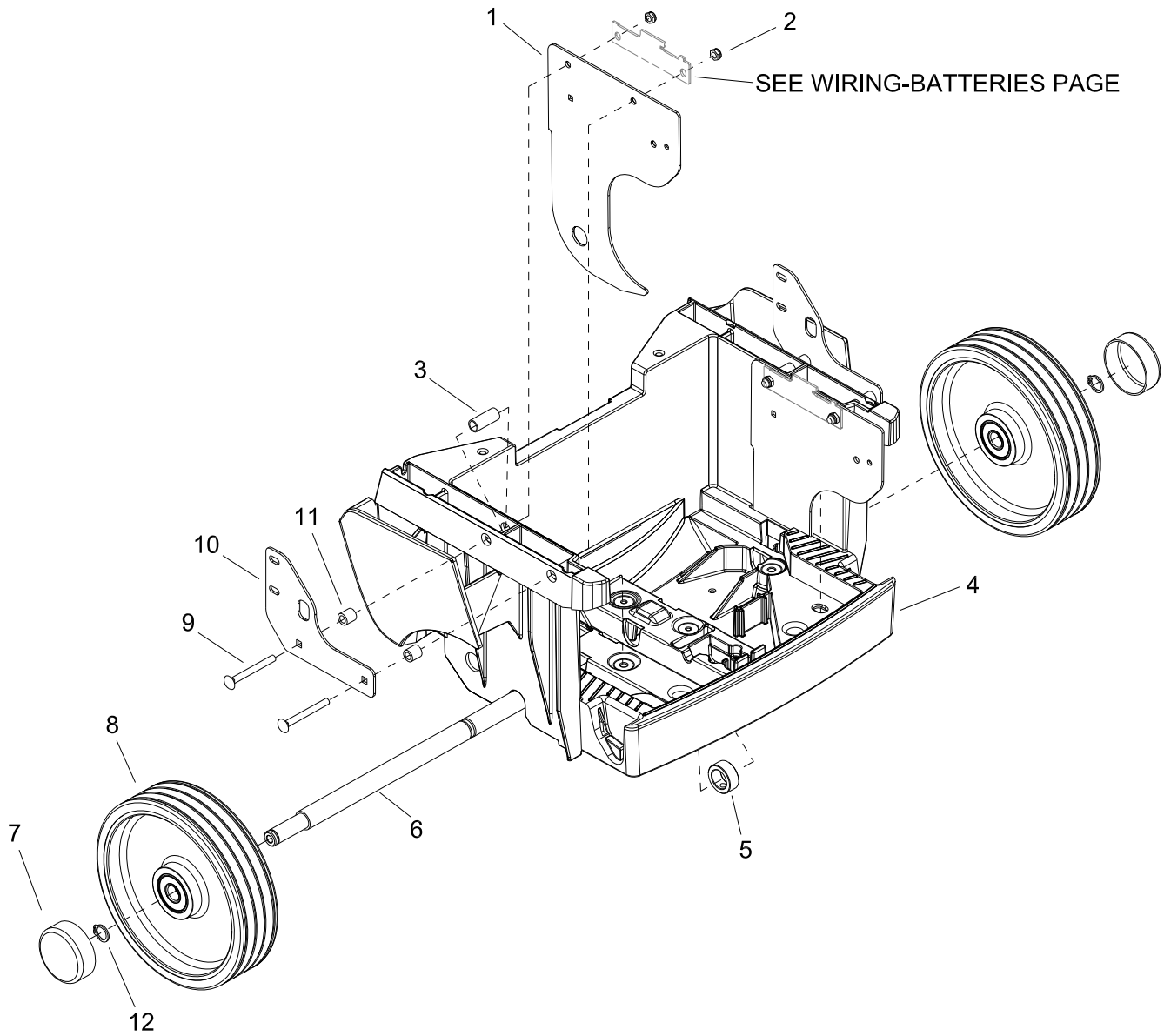


REF	PART NO.	QTY	DESCRIPTION	SERIAL NO. FROM	NOTES
1	86360820	1	ASSY, MAIN SUPPORT, CS26		
2	86360710	1	ASM, WHEEL GUARD		
3	86358190	2	GLIDE, BATTERY TRAY		
4	86357950	2	PAD, TIP		
5	86277410	6	SCR, 5/16-18 X 5/8 CARRIAGE SS		
6	86276890	6	SCREW 5/16-18X3/4 PTHMS SS		
7	86276490	2	SCREW 5/16-18 X 5/8 HHCS SS		
8	86010670	2	WASHER 5/16 FLAT SS		
9	86400810	6	SCREW, 1/4-20 X .75 PHFLHMS SS	(5*)	
10	86368240	6	NUT,5/16-18, FLGNYLOCK,SS		
11	86361210	2	SCR, 3/8-16 X 0.625 SHCS		
12	86005770	2	NUT 3/8-16 HEX NYLOCK		
13	86006640	2	SCREW 5/16-18 X 1/2 SHCS NP		
14	86270830	2	NUT 5/16-18 HEX NYLOCK SS		
15	86368730	1	FOAM, ADH BACKED 1-SIDE, 6X1.5 X1.5		

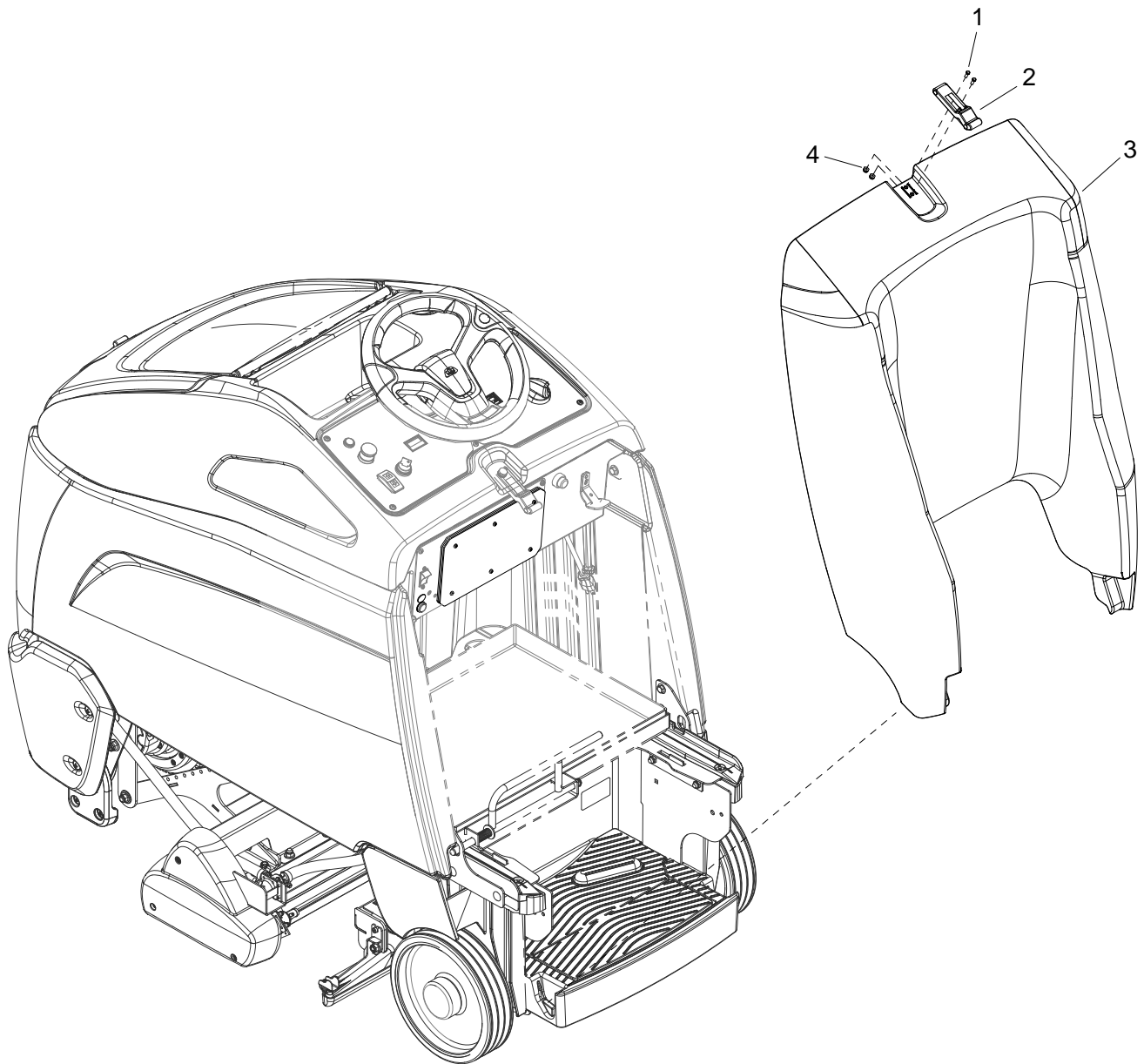
* SEE SERIAL NUMBER PAGE



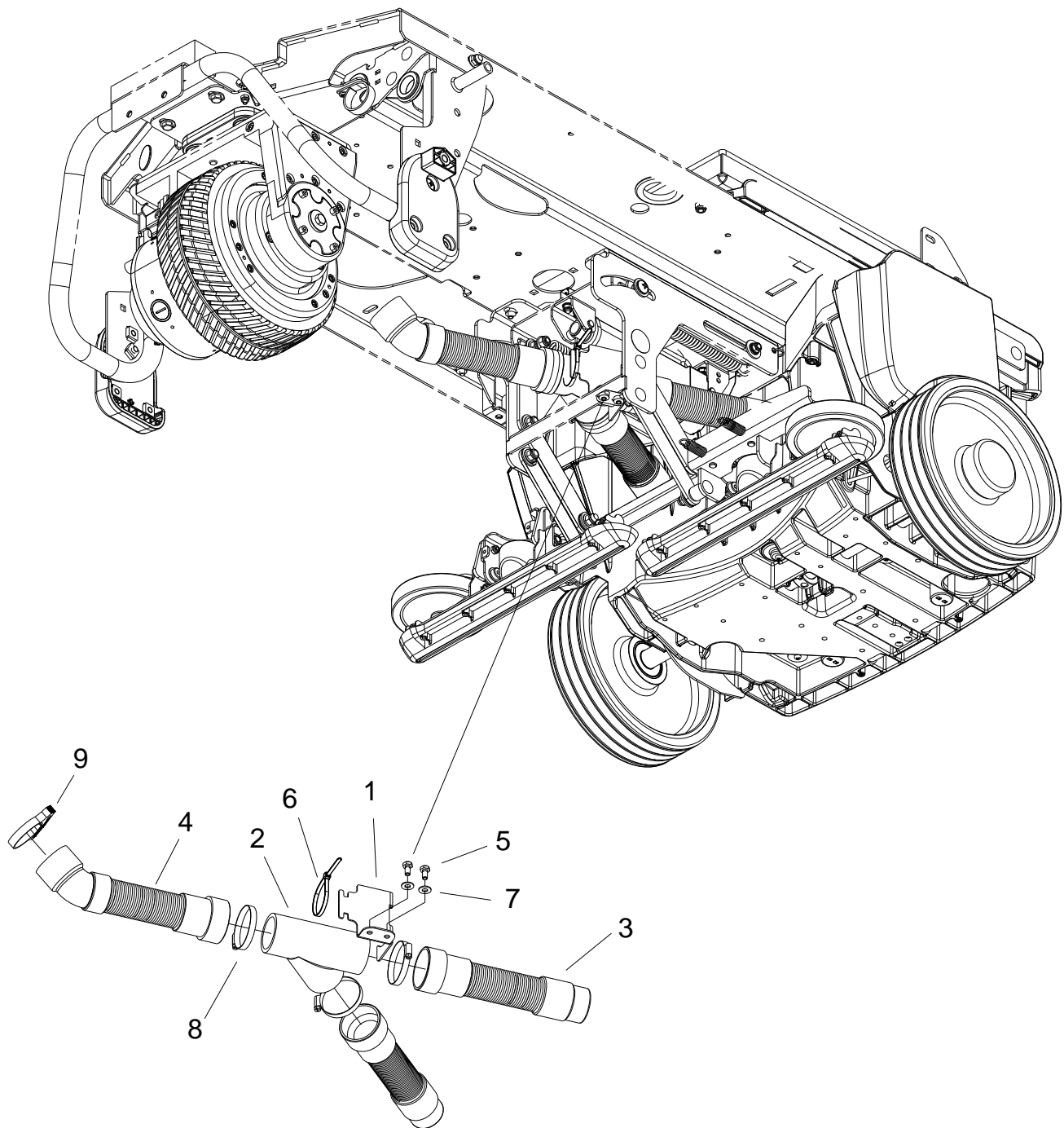
REF	PART NO.	QTY	DESCRIPTION	SERIAL NO. FROM	NOTES
1	86359080	1	PLATFORM, OPERATOR		
2	86318010	1	PEDAL, HEEL		
3	86318000	1	PEDAL, ACCELERATOR		
4	86361170	1	PIN, DOWEL, .25D X 3.125", STEEL		
5	86279170	6	WASHER, #10 X 1.0 FLAT		
6	86172980	10	SCR, KA50X10,PT OHS,WN1412,PLTD		
7	86254970	3	SPRING, COMP 18MMOD X 83 X 2		
8	86327510	3	SCR, KA50 x 16, WN1412 A2 SS		
9	86198440	6	CLAMP, 1/4 PLASTIC CABLE		
10	86264930	3	CABLE TIE, 3.5" UL/CSA		
11	86361060	1	BRKT, POT. ACCEL PEDAL		
12	86311560	1	POTENTIOMETER ASM, LINEAR		
13	86005810	2	NUT 1/4-20 HEX NYLOCK SS		
14	86007010	2	SCREW 1/4-20 X 3 1/4 HHCS PLT		
15	86327910	4	SCR, KA50X25, PT OHS, WN1412, PLTD		
16	86007110	1	SWITCH, 25A SPST 125-250V SNAP		
17	86361160	1	PLATE, SWITCH COVER		
18	86264940	2	CABLE TIE, 11.38" UL/CSA		



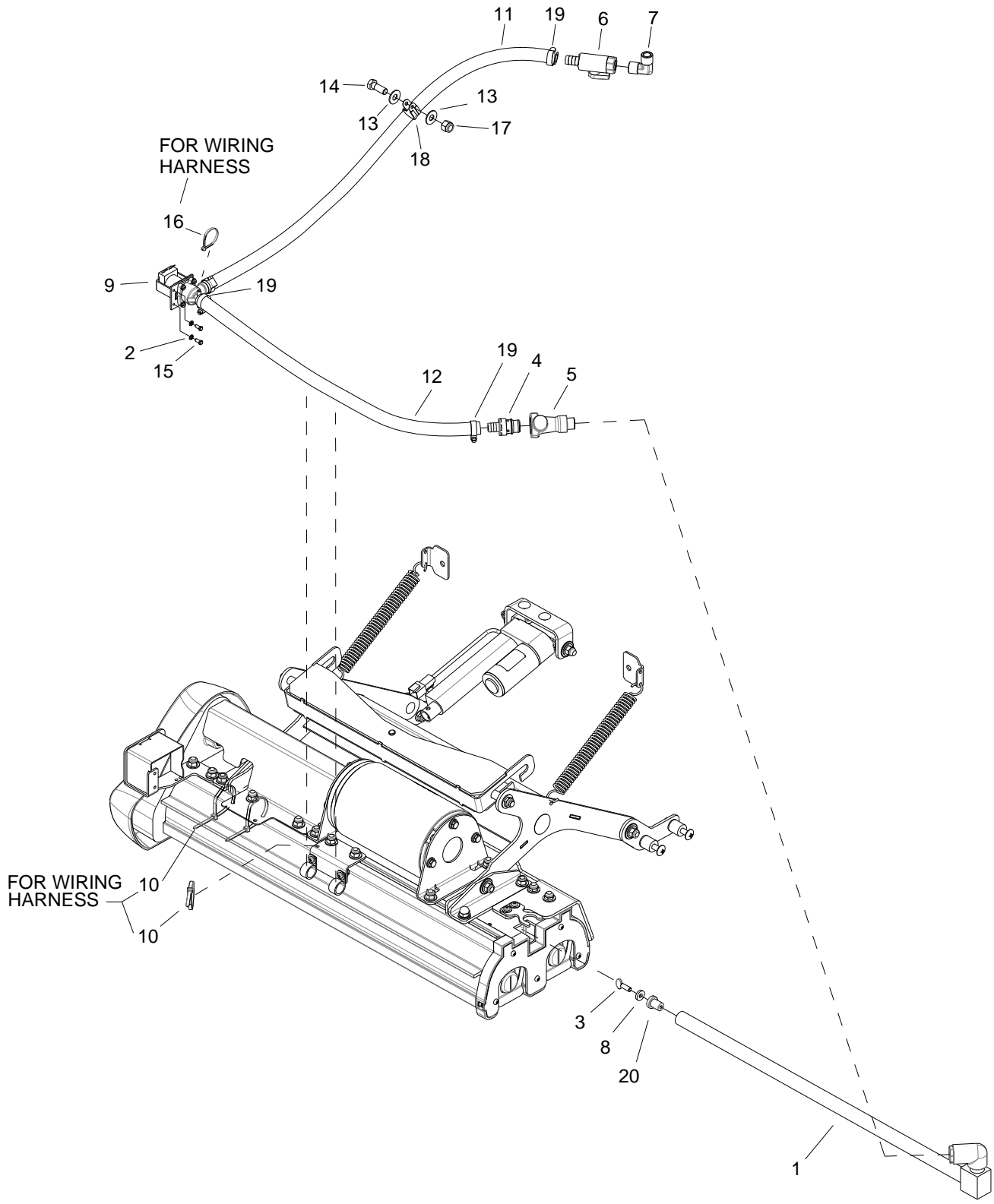
REF	PART NO.	QTY	DESCRIPTION	SERIAL NO. FROM	NOTES
1	86361130	2	PLATE, PLATFORM SUPPORT		
2	86271840	4	NUT 5/16-18 HEX NYLOCK THIN SS		
3	86361140	4	SPACER, 1.50 X .625OD X .065" WALL		
4	86358000	1	FOOTBOX, OPERATOR PLATFORM		
5	86361120	1	COLLAR, SHFT 1"ID X 1-5/8"OD X 5/8"		
6	86357990	1	AXLE, REAR		
7	86232130	2	CAP 2.75 ID X 1.0 L BLK VINYL		
8	86335520	2	WHEEL, 10 X 2.5, PLSTC HUB, W/BEARINGS		
9	86326490	4	SCR, 5/16+18 X 3.0 CARRIAGE, SS		
10	86361150	2	PLATE, TANK SUPPORT		
11	86224320	4	SPACER, .63 OD X .385ID X .64L		
12	86008710	2	RING 3/4" EXT SNAP H-D		



REF	PART NO.	QTY	DESCRIPTION	SERIAL NO. FROM	NOTES
1	86277620	2	SCR, 8-32 X 1/2 HHCS SS		
2	86161800	1	LATCH & CONCEALED KEEPER		
3	86359070	1	PANEL, REAR COVER		
4	86272020	2	NUT, 8-32 HEX THIN NYLOCK SS		

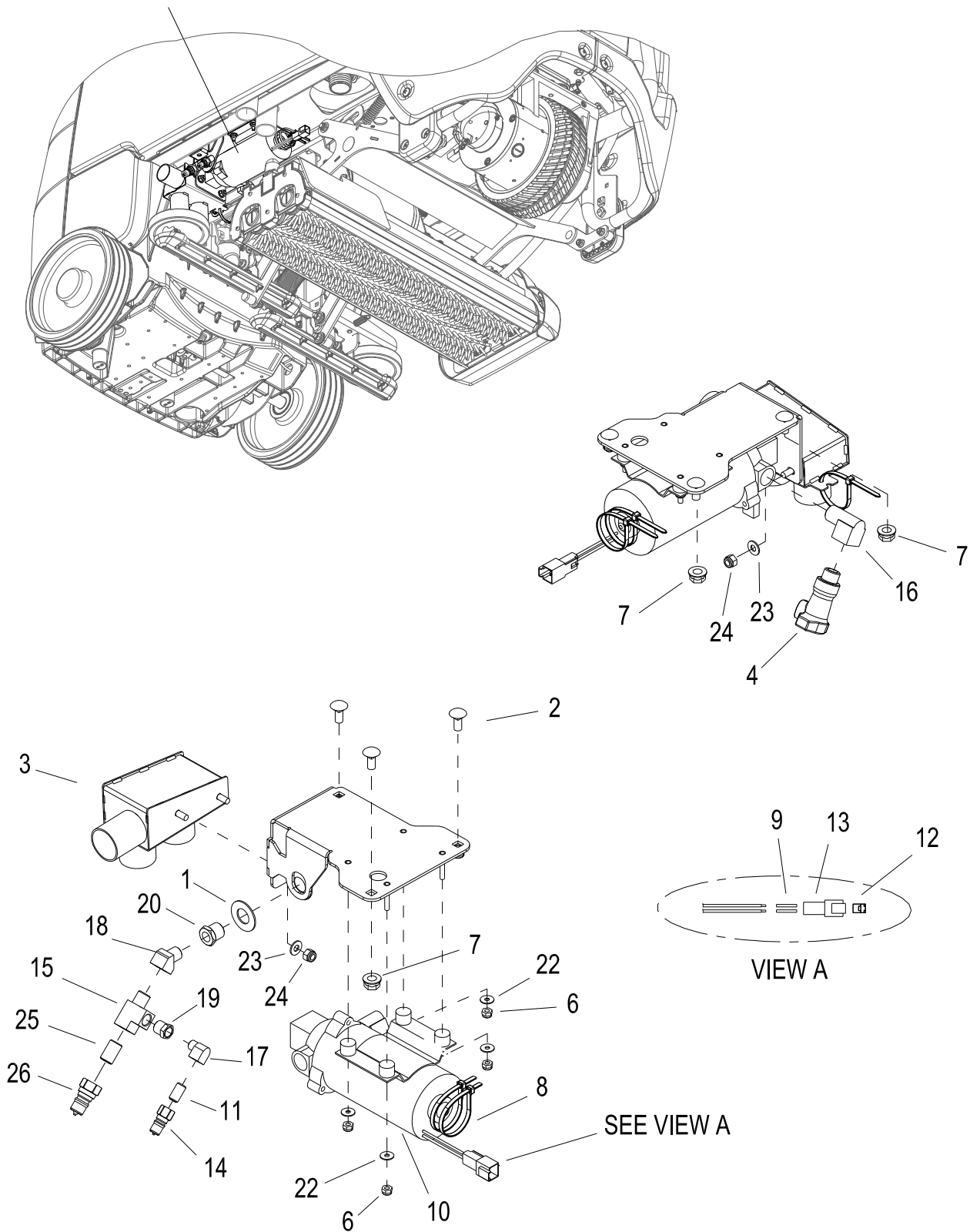


REF	PART NO.	QTY	DESCRIPTION	SERIAL NO. FROM	NOTES
1	86372060	1	BRACKET, Y TUBE		
2	86372050	1	FITTING, PVC Y TUBE 1.25"		
3	86372030	2	HOSE ASM, 1.5" BLK VAC		
4	86372020	1	HOSE ASM, 1.5" BLK VAC		
5	86273830	2	SCREW, 1/4-20 X .5 HHCS SS NP		
6	86264940	1	CABLE TIE, 11.38" UL/CSA		
7	86010630	2	WASHER, 1/4 ID X 5/8 OD SS		
8	86002380	3	CLAMP, 2.25" WORM GEAR		
9	86365530	1	CLAMP, RACHET, 2.13D		



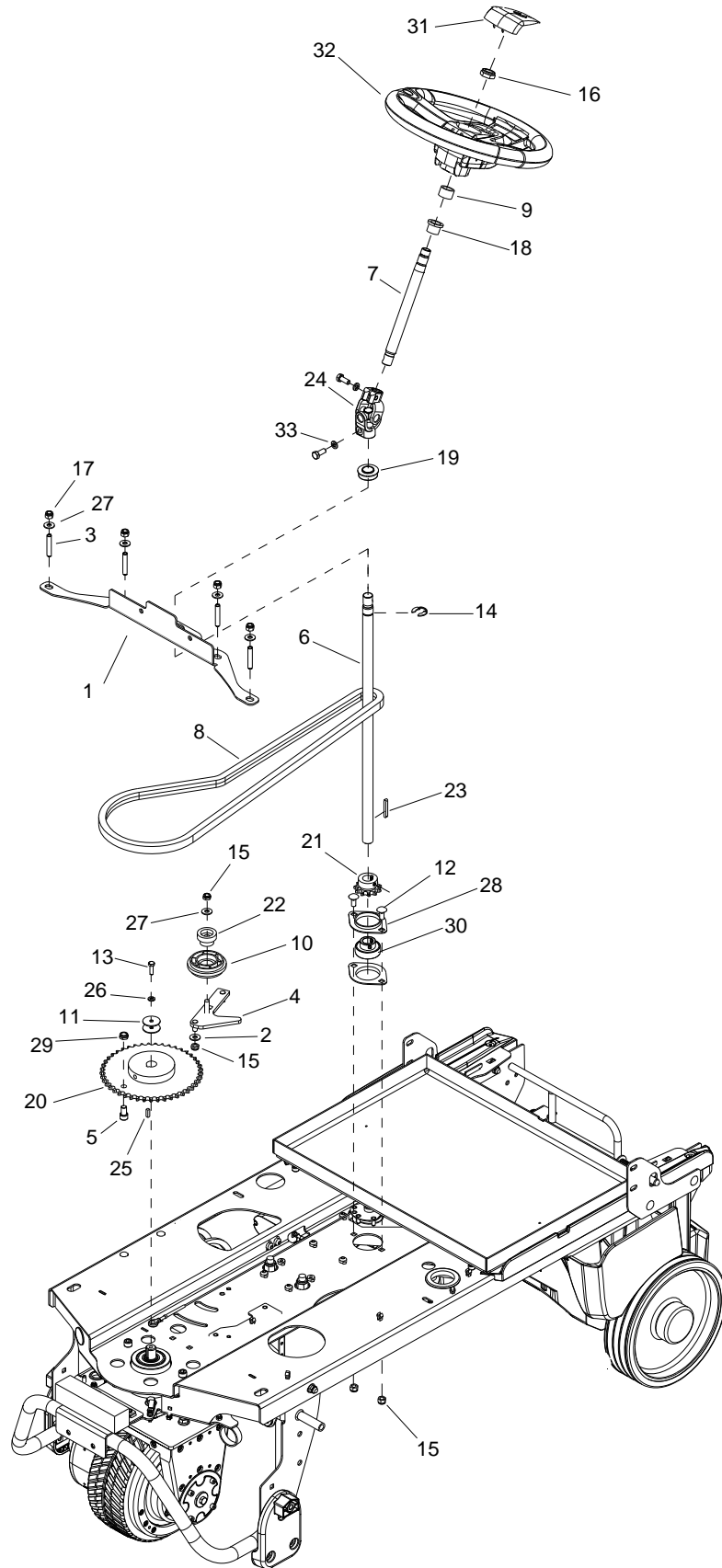
REF	PART NO.	QTY	DESCRIPTION	SERIAL NO. FROM	NOTES
1	86373000	1	MANIFOLD ASM, IEXTRACT 26		
2	86134850	2	WASHER, SPRNG LK, M4, DIN127B,SST		
3	86371880	1	SCREW, 1/4-20 x .75 THUMB SS		
4	86371860	1	COUPLING, QD, 1/2 BARBED		
5	86371850	1	COUPLING, QD, 3/8 NPT		
6	86371840	1	VALVE, BALL, 3/8FPTx1/2BARB		
7	86371830	1	ELBOW, 3/8MPT x 3/8MPT, 90 DEG, BRASS		
8	86010670	1	WASHER, 5/16 FLAT SS		
9	86366100	1	VALVE, 36V SOL, 1/2 BARB		
10	86264940	3	CABLE TIE, 11.38" UL/CSA		
11	86282360	1	HOSE, 1/2 WIREBOUND X 28"		
12	86280910	1	HOSE, 1/2 ID WIRE BOUND X 23"		
13	86278910	2	WASHER, 3/8 ID X 7/8 OD SS		
14	86276920	1	SCREW, 3/8-16x1		
15	86276220	2	SCREW, 8-32 X .375 HHMS SS		
16	86264930	1	CABLE TIE, 3.5" UL/CSA		
17	86271930	1	NUT HEX NYL LOC 3/8-16		
18	86233410	1	CLAMP, 3/4 DIA CUSHION .406DIA		
19	86233150	4	CLAMP, 3/8 HOSE (D-SLOT)		
20	86189050	1	NUT WELL 1/4-20 HD		

PUMP-OFF-AISLE LOCATION

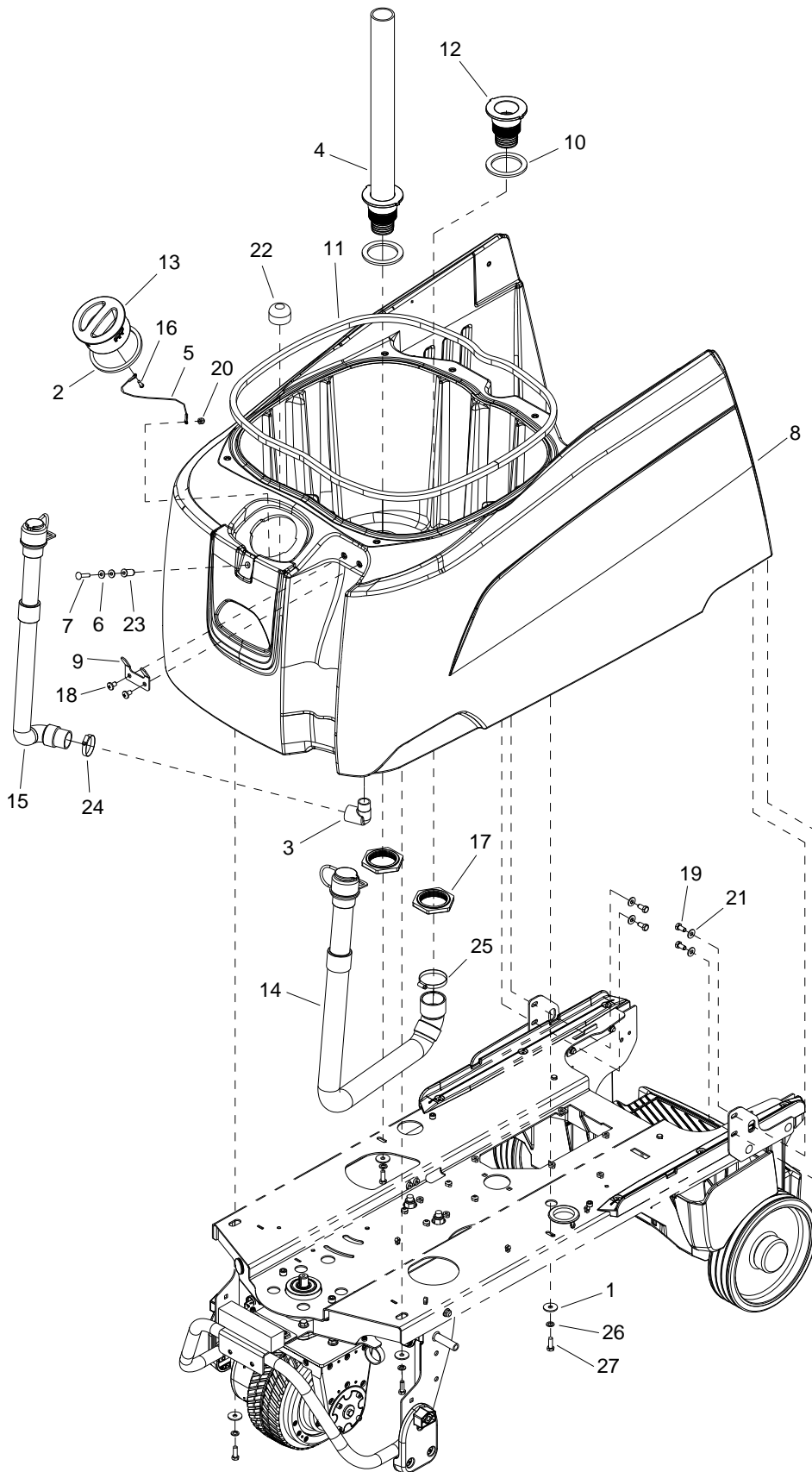


Solution System - Pump - Off-Aisle - For Models 10061780 & 10061790

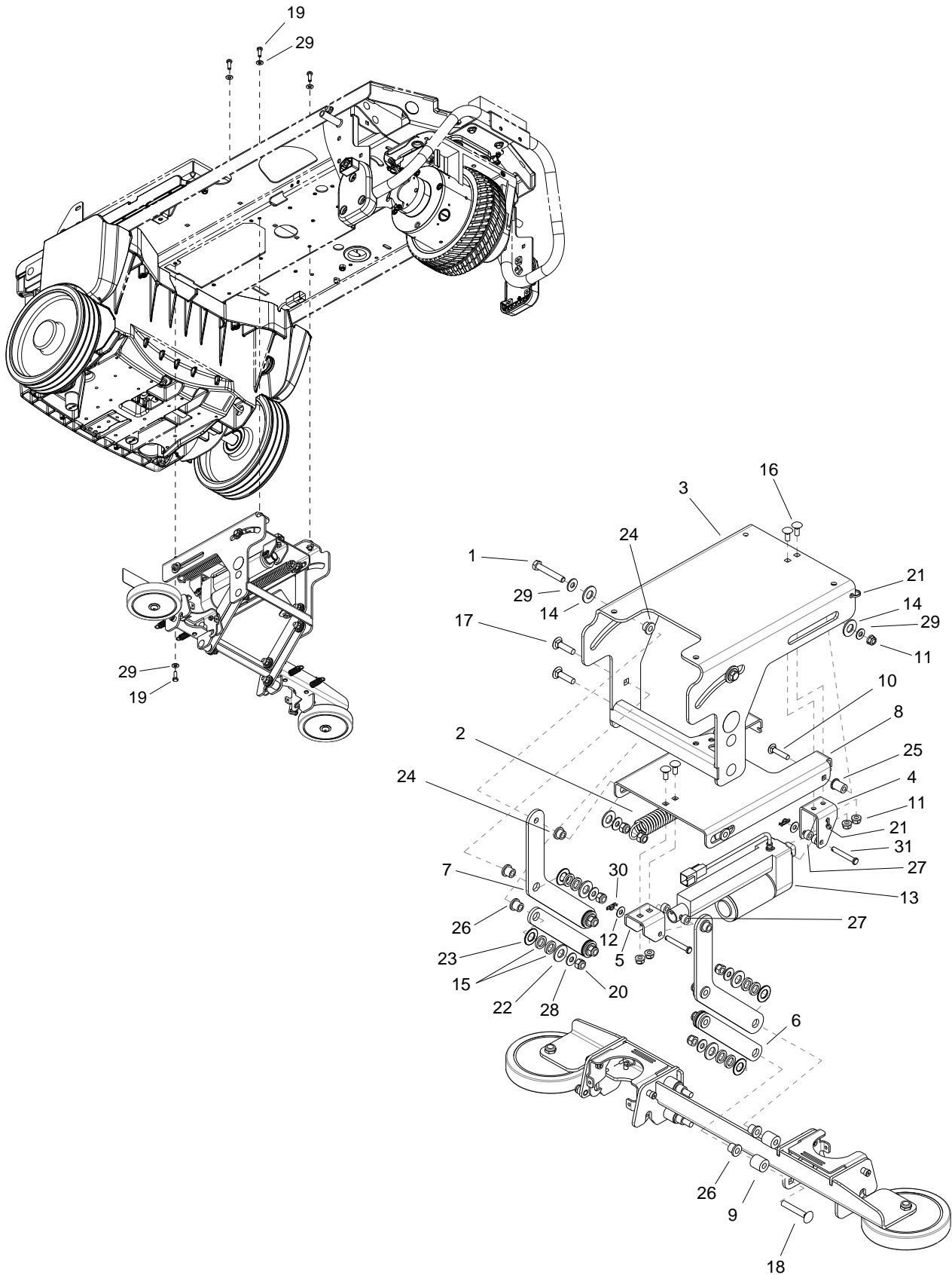
REF	PART NO.	QTY	DESCRIPTION	SERIAL NO. FROM	NOTES
1	86391430	2	WASHER, .683 X 1.35 X .06 SS		
2	86391420	1	BRACKET, MOUNT, PUMP		
3	86391410	1	PLENUM, VACUUM		
4	86371850	1	COUPLING, QD, 3/8 NPT		
5	86276070	3	SCR, 5/16-18 X 3/4 CARRIAGE SS		
6	86270990	4	NUT, 10-32 HEX NYLOCK SS		
7	86368240	3	NUT, 5/16-18, FLGNYLOCK, SS		
8	86264940	3	CABLE TIE, 11.38" UL/CSA		
9	86257450	2	TERMINAL, 1060-16-0122		
10	86250920	1	PUMP, 36VDC 100PSI		
11	86247720	1	NIPPLE, 1/8 CLOSE		
12	86246730	1	LOCK, W2P		
13	86233760	1	CONNECTOR, DT04-2P		
14	86200820	1	NIPPLE, 1/8		
15	86197760	1	TEE, 1/4 STREET		
16	86197420	1	ELBOW, 3/8NPT STREET		
17	86197400	1	ELBOW, 1/8NPT STREET		
18	86197390	1	ELBOW, 1/4NPT 45D STREET		
19	86197300	1	BUSHING, 1/8 FPT X 1/4 MPT HEX		
20	86197290	1	BUSHING, 3/8 MPT X 1/4 FPT HEX		
21	-	-	OPEN		
22	86010650	4	WASHER, #10 X 9/16 OD		
23	86010630	2	WASHER 1/4 ID X 5/8 OD SS		
24	86005810	2	NUT 1/4-20 HEX NYLOCK SS		
25	86005590	1	NIPPLE 1/4 CLOSE		
26	86005580	1	NIPPLE 1/4 FPT QD		



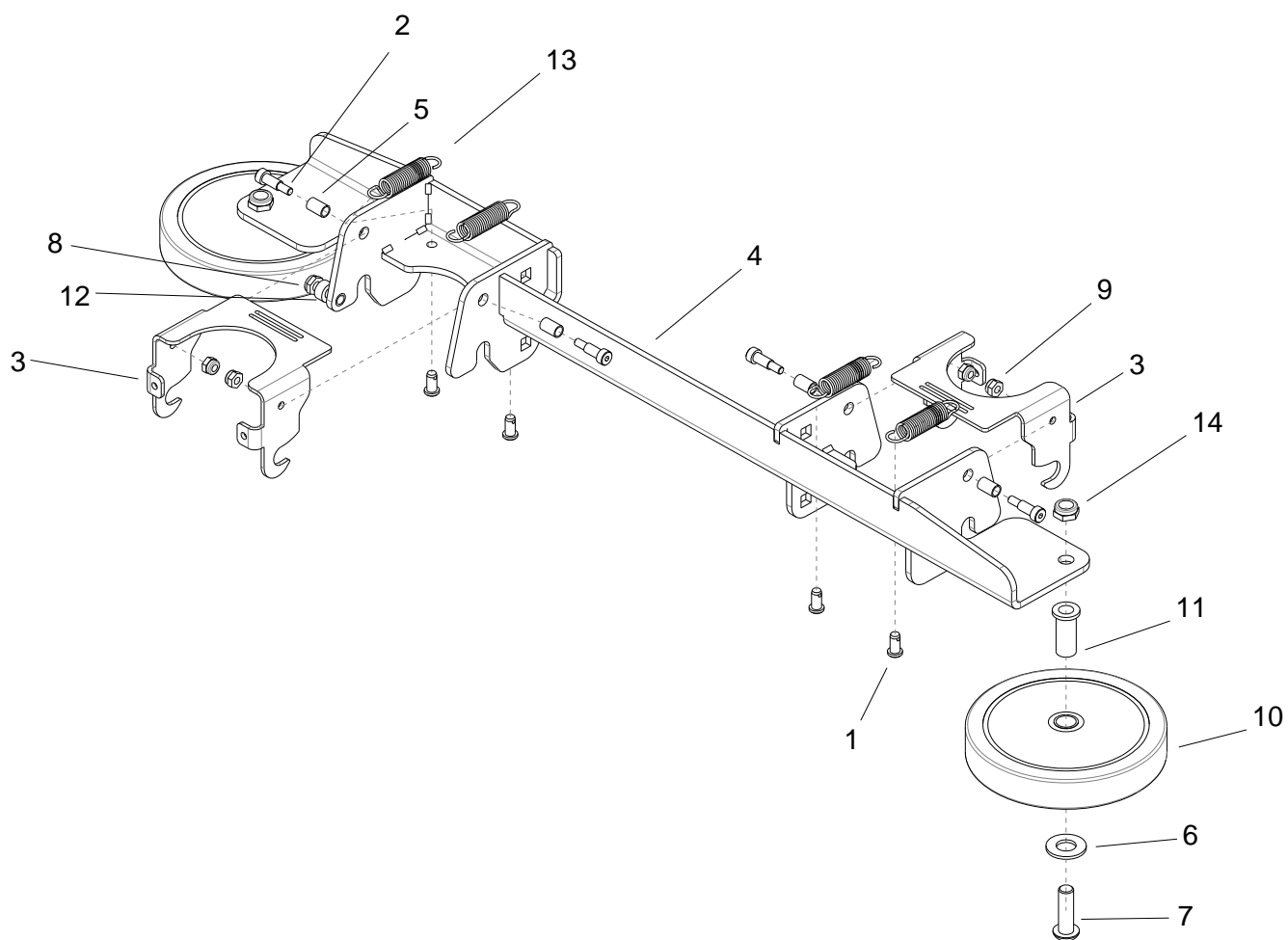
REF	PART NO.	QTY	DESCRIPTION	SERIAL NO. FROM	NOTES
1	86372950	1	BRKT, STEERING		
2	86367250	1	WASHER, .344ID X 1.13OD X .09T SS		
3	86278080	4	SCREW, 5/16-18 X 1.75 SCHSET SS		
4	86361370	1	ASM, TENSIONER PLATE		
5	86361210	1	SCREW, 3/8-16 X .625 SCHCS BLKOX		
6	86358400	1	SHAFT, LOWER STEERING 2.1"		
7	86358390	1	SHAFT, UPPER STEERING 9.1"		
8	86358380	1	CHAIN , 12.7MM PITCH, 118 ROLLER		
9	86333950	1	BEARING, .75ID X 1.0OD X .63		
10	86330720	1	CHAIN TENSIONER		
11	86278940	2	WASHER 1/4 ID X 1-1/4 OD PLT		
12	86277410	2	SCREW, 5/16-18 X .625 CARR SS		
13	86274330	1	SCREW, M6-1 X 20 HHCS STL DIN933 ZNPLT		
14	86272900	1	RING, 3/4" KLIP		
15	86271840	5	NUT 5/16-18 HEX NYLOCK THIN SS		
16	86271610	1	NUT, 5/8-18 HEXTHIN NYLOCK STL GR2 ZNPLT		
17	86270830	4	NUT, 5/16-18 HEX NYLOCK SS		
18	86228790	1	BEARING, FLANGE .88OD X .75ID X .75		
19	86228670	1	BEARING, 3/4 FLG		
20	86224810	1	SPROCKET, DRIVE WHEEL STEERING		
21	86224800	1	SPROCKET, STEERING SHAFT		
22	86224270	1	SLEEVE, CHAIN TENSIONER		
23	86219650	1	KEY, 5MM SQ X 39MM L		
24	86219600	1	JOINT, UNIVERSAL FEMALE		
25	86135970	1	KEY, 3/16 X 3/16 X .625 LCSTL		
26	86010780	1	WASHER 1/4 SPLIT LOCK PLTD		
27	86010670	5	WASHER 5/16 FLAT SS		
28	86008610	2	FLANGED BEARING, PRESS STEEL		
29	86005630	1	NUT HEX NYL LOC-THIN SS 3/8-16		
30	86001030	1	BEARING BALL 3/4 BORE SPHERED		
31	66403520	1	CAP STEERING WHEEL, WINDSOR		
32	64357990	1	STEERING WHEEL		
33	86279130	2	WASHER, 5/16 X .583 X .078 SPL STL ZNPLT		



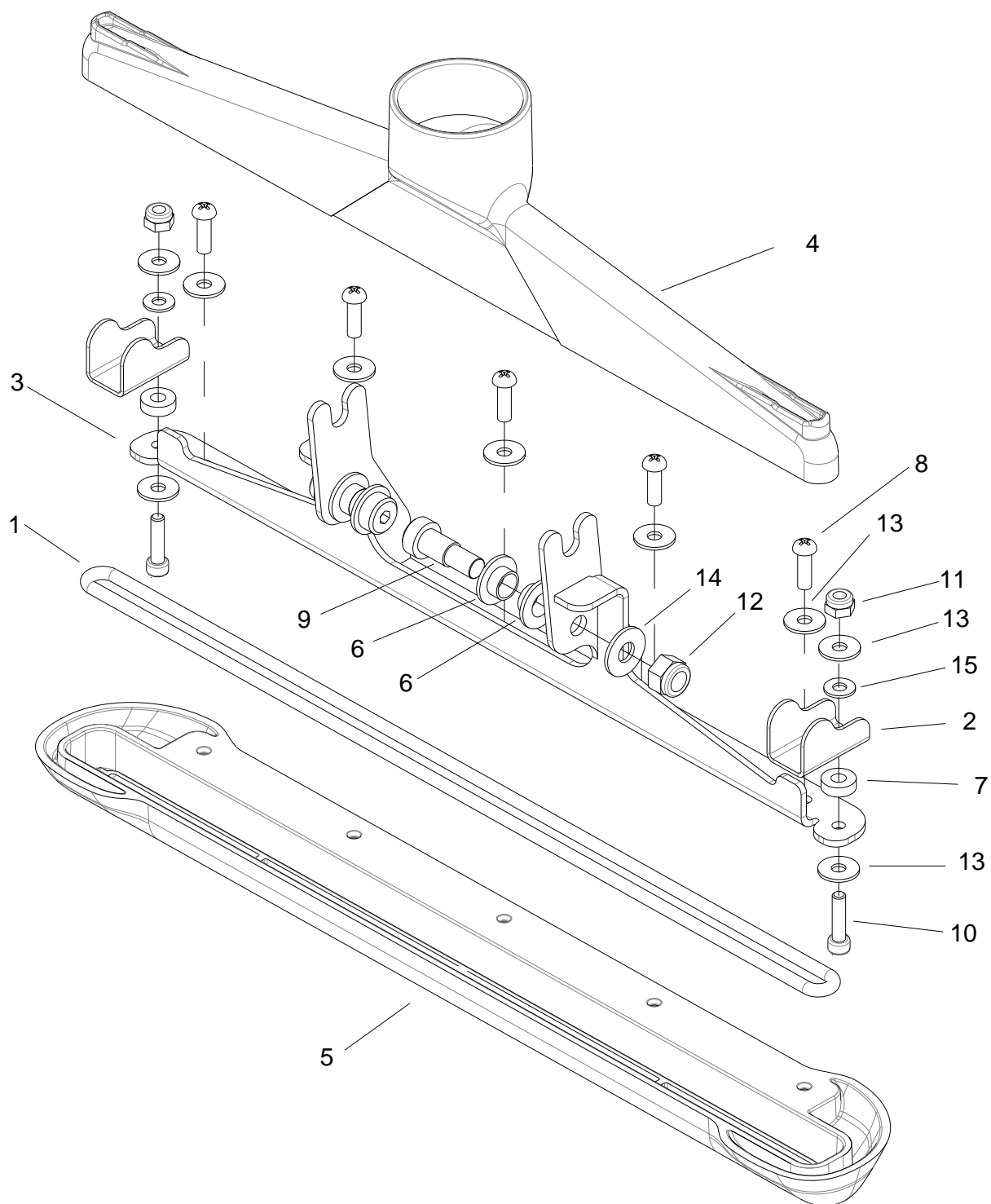
REF	PART NO.	QTY	DESCRIPTION	SERIAL NO. FROM	NOTES
1	86367250	4	WASHER, .344IDX1.130ODX.09T SS		
2	86366450	1	GASKET, SOLUTION FILL		
3	86362380	1	ELBOW, PVC, 3/4M X SOC SCH 40		
4	86361920	1	TUBE ASM, RECOVERY INLET		
5	86361780	1	LANYARD, 12" SS		
6	86361770	2	WASHER, 1/4 SAE FLAT SS		
7	86361760	1	SCR, 1/4-20 X 1.25 CARRIAGE SS		
8	86360780	1	TANK, BLUE, CS26		
9	86360650	1	BRKT, HOSE RETENTION		
10	86360640	2	GASKET, 3.30 X 2.45 X .188		
11	86360630	1	GASKET, MAIN TANK		
12	86359060	1	BULKHEAD FITTING		
13	86358680	1	CAP, CLEAN WATER		
14	86354270	1	HOSE, RECOVERY DRAIN		
15	86353950	1	HOSE, SOLUTION DRAIN		
16	86327510	1	SCR, KA50X16, PT OHS, WN1412, A2 SS		
17	86314080	2	NUT, DRAIN FITTING		
18	86277480	2	SCR, 5/16-18X1/2 PTHMS SS		
19	86276490	4	SCR, 5/16-18 X 5/8 HHCS SS		
20	86271940	1	NUT, 1/4-20 ACORN SS		
21	86010670	4	WASHER, 5/16 X 3/4 SS		
22	86007970	1	STRAINER, 3/8 IN. NPT 60 MESH		
23	86005620	1	NUT, 1/4-20 X .962 WELL		
24	86002390	1	CLAMP, 1.75 WORM GEAR X .312		
25	86002380	1	CLAMP, 2.25 WORM GEAR		
26	86279130	4	WASHER, 5/16 SPLT STL ZNPLT		
27	86276780	4	SCREW, 5/16-18 X .75 HHCS SS		



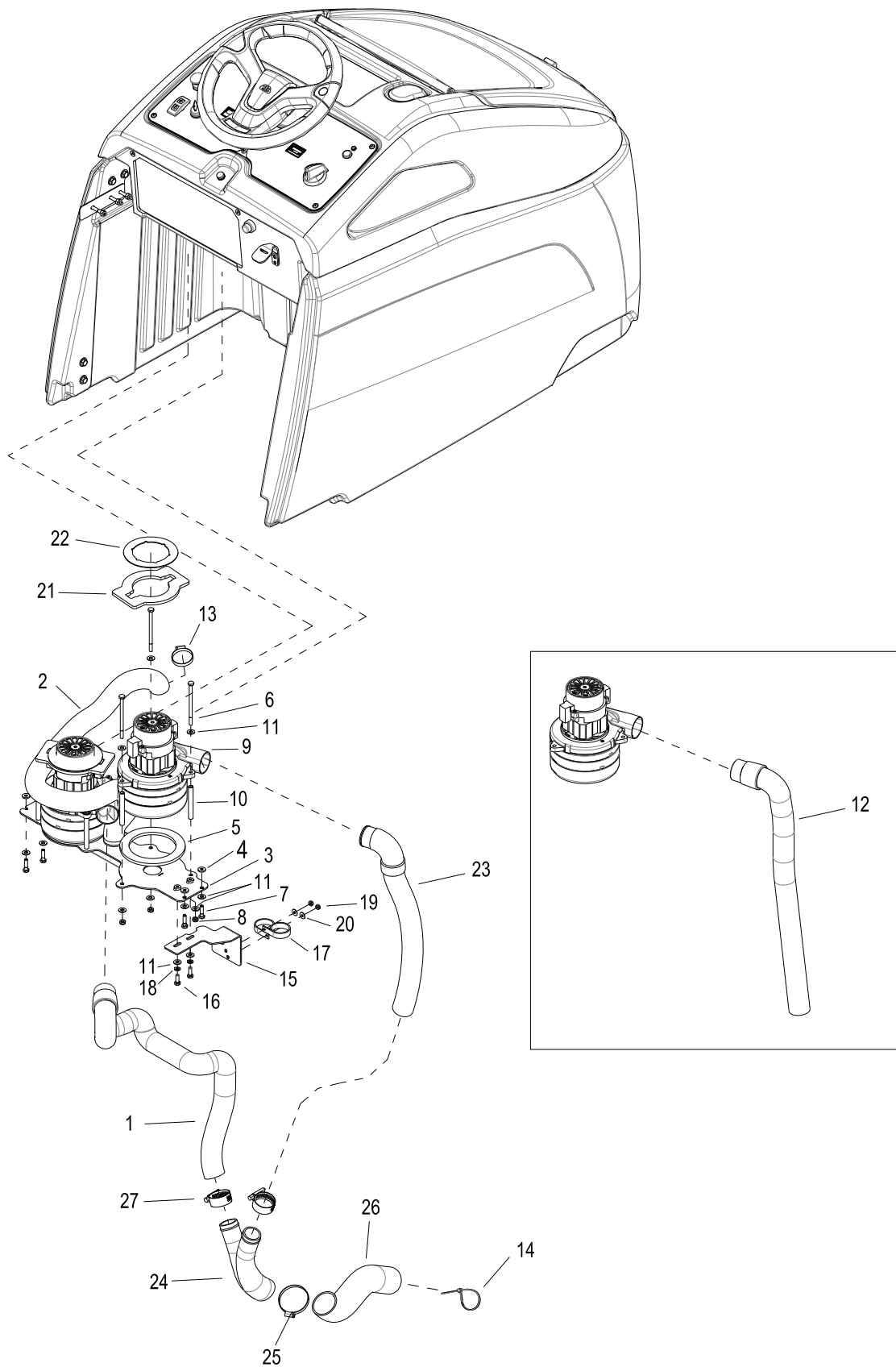
REF	PART NO.	QTY	DESCRIPTION	SERIAL NO. FROM	NOTES
1	86373600	2	SCREW, 5/16-18 X 2 HHMS SS		
2	86372090	2	SPRING, EXT, 1.0 OD X 6.5L X .125W		
3	86371660	1	BRKT, LIFT MOUNT		
4	86371640	1	BRKT, ACTR MT, REAR		
5	86371630	1	BRKT, ACTR MT, FRT		
6	86371620	2	PLATE, LIFT LINK		
7	86371610	2	PLATE, LIFT ARM		
8	86371600	1	BRKT, SPRING CARRIAGE		
9	86370120	4	SPACER, .319D X .75DX.75L, AL		
10	86361760	2	SCREW, 1/4-20 X 1.25 CARR SS		
11	86360310	6	NUT, 1/4-20 FLG SS NYL		
12	86351350	2	WASHER, .260 X .625 X .031, NYL, BLK		
13	86320880	1	ACTUATOR, 36VDC, 3.0" STK, 8.74 LNG		
14	86279380	6	WASHER, 1/2 X 1 X .08 NYL		
15	86279350	16	WASHER, 1/2 X .771 X .013 WV		
16	86277500	4	SCR, 1/4-20 X 5/8 CARR SS		
17	86277030	4	SCR, 5/16-18X1.25 CARRIAGE SS		
18	86276710	4	SCR, 5/16-18 X 2.0 CARRIAGE SS		
19	86273780	4	SCR, 1/4-20 X 3/4 HHCS SS NP		
20	86270830	12	NUT, 5/16-18 HEX NYLOCK SS		
21	86264930	2	CABLE TIE, 3.5" UL/CSA		
22	86259420	8	WASHER, THRUST .51ID X 1 OD BRO		
23	86259410	8	WASHER, THRUST .51 ID X1 OD X.063		
24	86228990	4	BEARING, FLNGD, .314 ID X .502 OD		
25	86228900	2	BUSHING, .252 X .503 X .75 FLG		
26	86228840	8	BUSHING, .314 X .502 X .5 FLG		
27	86201510	6	SPACER NYLON 1/4ID X 1/2 OD		
28	86010670	12	WASHER, 5/16 FLAT SS		
29	86010630	6	WASHER, 1/4 ID X 5/8 OD SS		
30	86008650	2	PIN, COTTER RING 1/4 X .041 X .844		
31	86006250	2	PIN, CLEVIS 1/4 X 1.75 STL ZNPLT		



REF	PART NO.	QTY	DESCRIPTION	SERIAL NO. FROM	NOTES
1	86374370	4	PIN, CLEVIS 1/4 X .5 SS		
2	86373620	4	SHOULDER BOLT, 1/4 X .5L SS		
3	86371820	2	BRKT, VAC SHOE LATCH		
4	86371810	1	BRKT, VAC SHOE MOUNT		
5	86346600	4	SPACER, .320 OD x .257 ID x .505L NY		
6	86279380	2	WASHER, 1/2 X 1 X .08 NYL		
7	86276860	2	SCREW, 3/8-16 X 1.75 SCHBTNHCS SS		
8	86271870	2	NUT, 1/4-20 HEX NYLCK THIN SS		
9	86271770	4	NUT, 10-24 HEX NYLOCK SS		
10	86259770	2	WHEEL, 5"D X 1~ X .5~ID GRY		
11	86228910	2	BUSHING, .377 X .502 X 1.25 FLG BRZ		
12	86201510	2	SPACER NYLON 1/4ID X 1/2 OD		
13	86007690	4	SPRING, EXT .50D X2.25L X.063W		
14	86005630	2	NUT HEX NYL LOC-THIN SS 3/8-16		

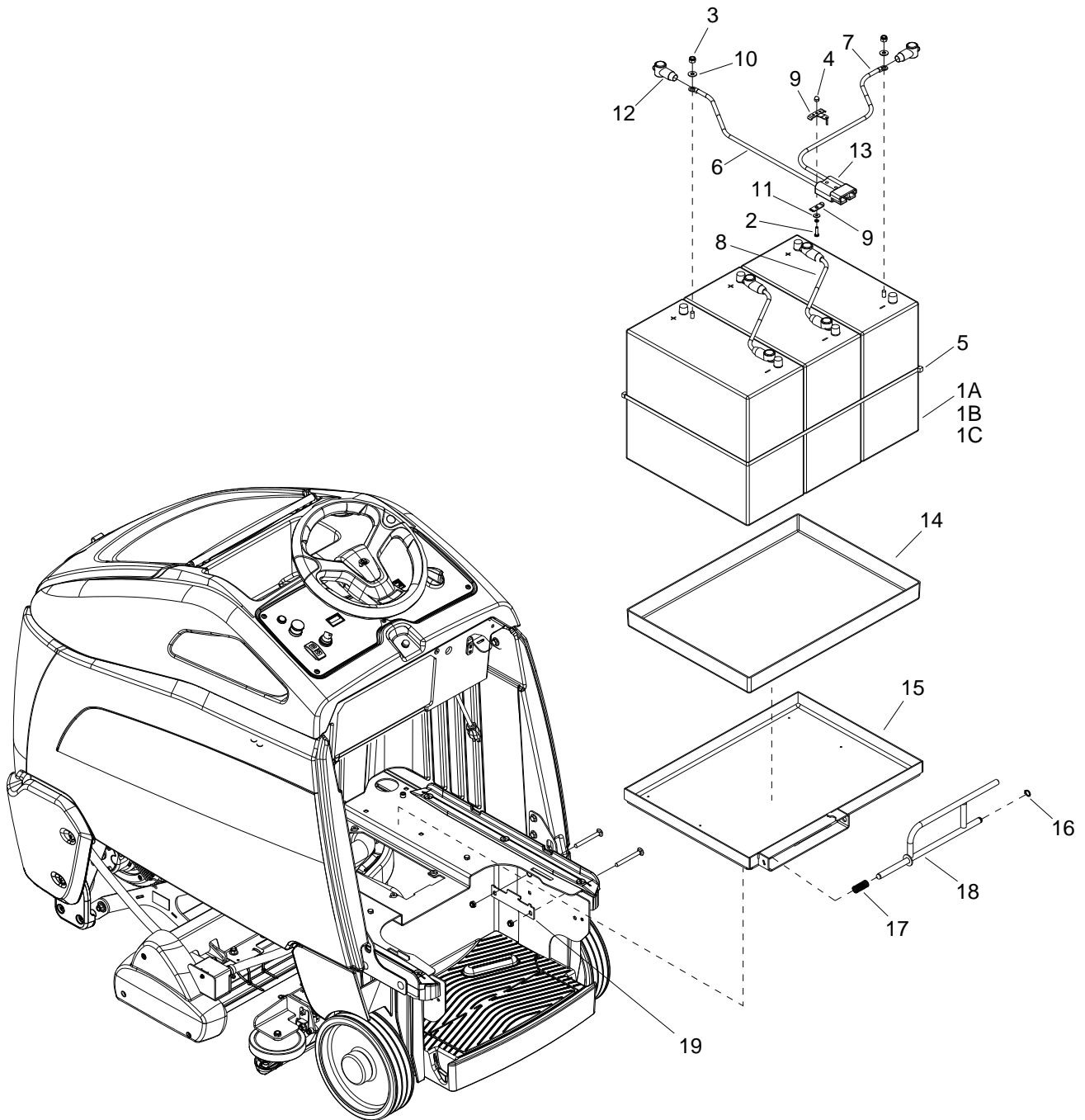


REF	PART NO.	QTY	DESCRIPTION	SERIAL NO. FROM	NOTES
1	86371770	1	O-RING, 3/16 DIA X 9.5 DIA FOAM		
2	86371670	2	LATCH, VAC SHOE		
3	86370760	1	BRACKET, VAC SHOE		
4	86370680	1	COVER, VACUUM SHOE		
5	86370670	1	BASE, VACUUM SHOE		
6	86347910	4	SPACER. FLG .375ID x .44OD, NYL		
7	86373650	2	SPACER, .192 X .500 X .188, NYL		
8	86327510	5	SCREW, KA50 x 16, WN1412 A2 SS		
9	86278360	2	SHOULDER BOLT, 3/8 X .5L SS		
10	86275080	2	SCREW, 10-32 X .75 SCHCS SS		
11	86270990	2	NUT, 10-32 HEX NYLOCK SS		
12	86270830	2	NUT, 5/16-18 HEX NYLOCK SS		
13	86173330	9	WASHER, M5, FLAT, ISO7093, SS		
14	86010670	2	WASHER, 5/16 FLAT SS		
15	86374590	2	WASHER, .20 X .45 X .04, NYL, BLK		

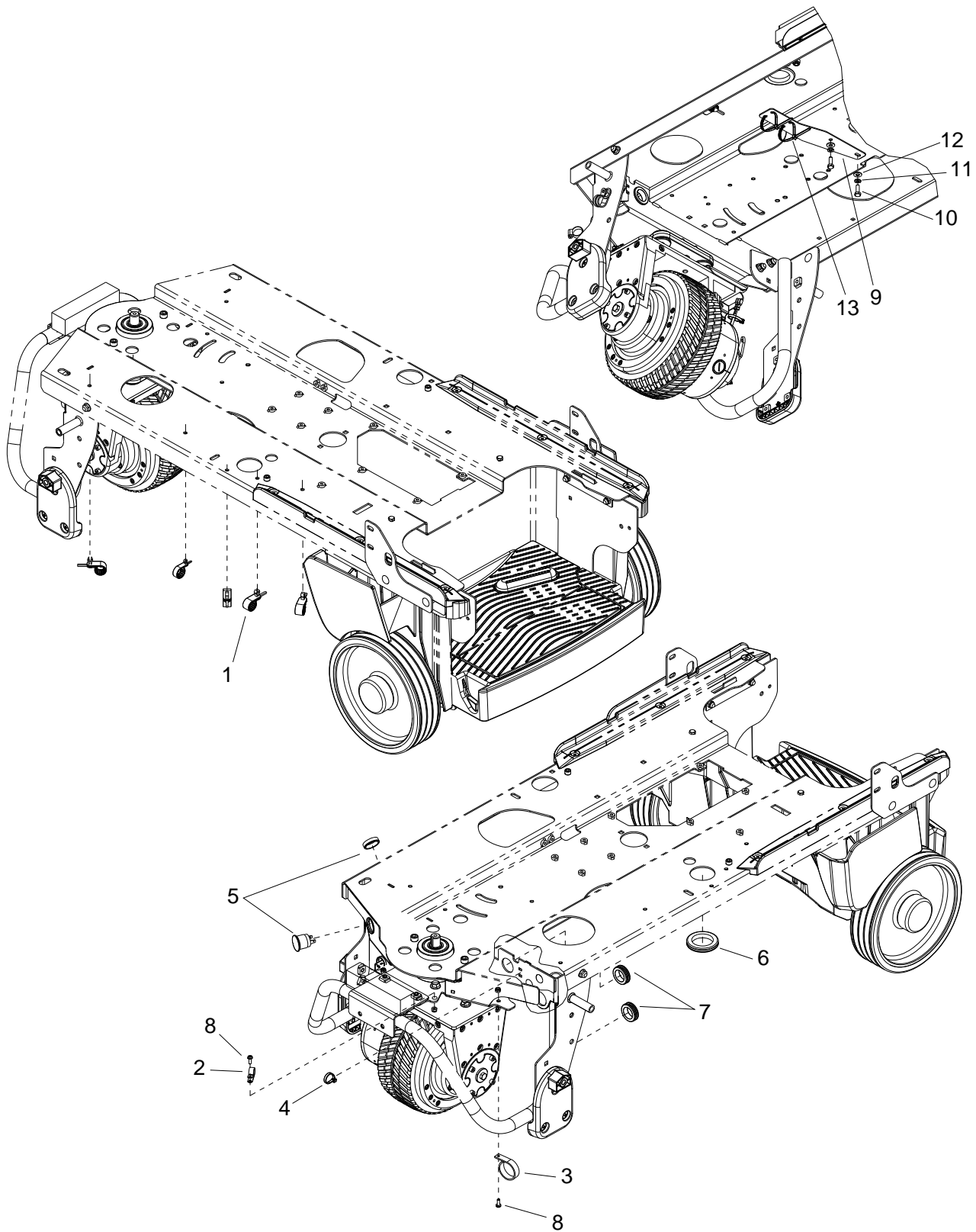


REF	PART NO.	QTY	DESCRIPTION	SERIAL NO. FROM	NOTES
1	86371470	1	HOSE ASM, 1.5 x 36.0		
2	86371460	1	HOSE, 1.5" x 30", 4:1 STRETCH		
3	86369990	1	MOUNT, DUAL VAC MOTOR		
4	86323300	4	WASHER, 1/4" RUBBER		
5	86312920	2	GASKET, VAC MOTOR		
6	86276720	6	SCREW, 1/4-20 X 4.25 HHCS PLTD		
7	86273810	4	SCREW, 1/4-20 X 1 HHCS SS		
8	86005680	6	NUT, 1/4-20 HEX NYLOCK STL GR2 ZNPLT		
9	86258480	2	VAC MOTOR, 36V 5.7 3ST TD		
10	86201950	6	VAC SPACER 3 1/8		
11	86010630	18	WASHER, 1/4 ID X 5/8 OD SS		
12	86376030	1	HOSE ASM, 1.5 x 25.0, WIREBOUND		
13	86002390	2	CLAMP, 1.75" WORM GEAR X .312		
14	86264940	1	CABLE TIE, 11.38" UL/CSA		
15	86375980	1	BRACKET, HOSE, VAC		
16	86273780	2	SCREW, 1/4-20 X 3/4 HHCS SS NP		
17	86326270	2	CLAMP, 1.5 DIA		
18	86173340	2	WASHER, SPLIT LOCK, 1/4, SS		
19	86271900	2	NUT, 10-24 HEXTHIN NYLOCK SS		
20	86010650	2	WASHER, #10 X 9/16 OD		
21	86378530	2	GASKET, VAC MOTOR COVER	(3*)	
22	86378690	2	RETAINING RING, VAC MOTOR	(3*)	
23	86004420	1	HOSE ASSEMBLY 1.5 BLK VAC X 14	(6*)	
24	86059670	1	ADAPTER, 2.0" TO 1.5"Y FITTING	(6*)	
25	86233430	1	CLAMP 2.50 WORM GEAR	(6*)	
26	86240050	1	HOSE, 2" VAC X 20"	(6*)	
27	86177050	2	CLAMP, HOSE #20	(6*)	

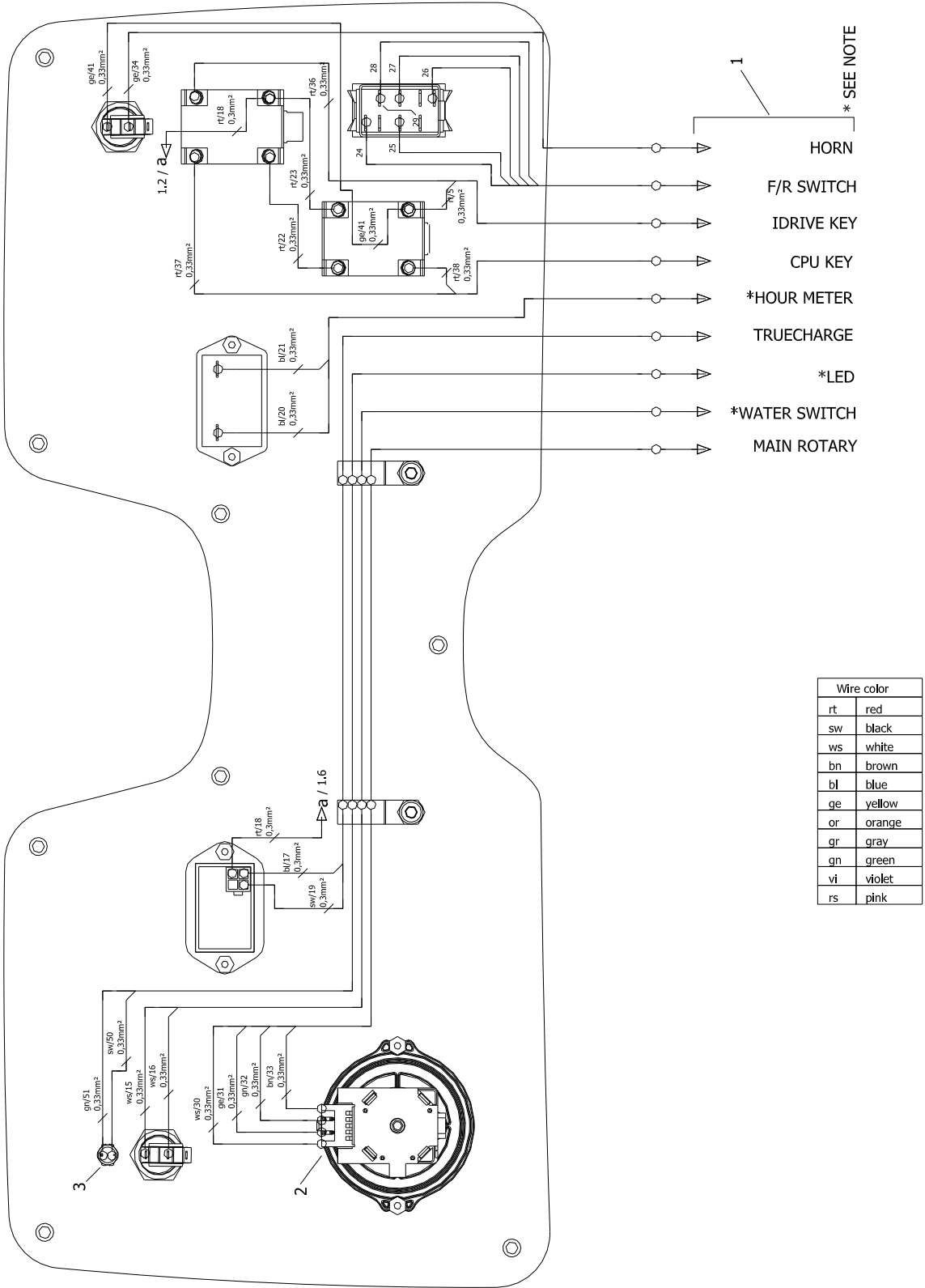
* SEE SERIAL NUMBER PAGE



REF	PART NO.	QTY	DESCRIPTION	SERIAL NO. FROM	NOTES
1A	86283410	3	BATTERY, 12V, 225AH		
1B	86228430	3	BATTERY, 12V AGM 234AH		
2B	86228410	3	BATTERY, 12V, 205AH (J185P-AC)		
2	86273980	1	SCR, 10-32 X 3/4 PPHMS SS		
3	86271910	6	NUT, 5/16-18 FLEXLOCK		
4	86270890	1	NUT, 10-32 HEX ACORN		
5	86264960	2	CABLE TIE, .375 X 43		
6	86260610	1	WIRE, 4X25RD CTERM X 3/8RG		
7	86260230	1	WIRE, 4X30BLK CTERM X 3/8RG		
8	86260200	2	WIRE, 4X14.5BLK 3/8RG X 3/8RG		
9	86233360	1	CLAMP, CABLE KIT SY945		
10	86010670	6	WASHER, 5/16 X 3/4 SS		
11	86010650	1	WASHER, #10 X 9/16 FLAT		
12	86008920	6	INSULATOR-TERMINAL RUBBER BOOT- BLACK		
13	86008760	1	CONNECTOR 175 DCA GRY W/O TERMS		
14	86398140	1	TRAY, BATTERY CS26		
15	86359500	1	ASM, BATTERY TRAY		
16	86272810	1	RING 1/2 EXT.SNAP H-D		
17	86254990	1	SPRING,COMP, 63ODX3.5LX.047W		
18	86092910	1	LATCH ROD, BATTERY TRAY		
19	86360020	2	PLATE, BATTERY STOP		

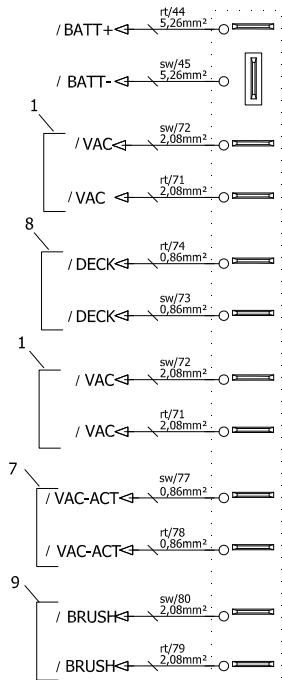
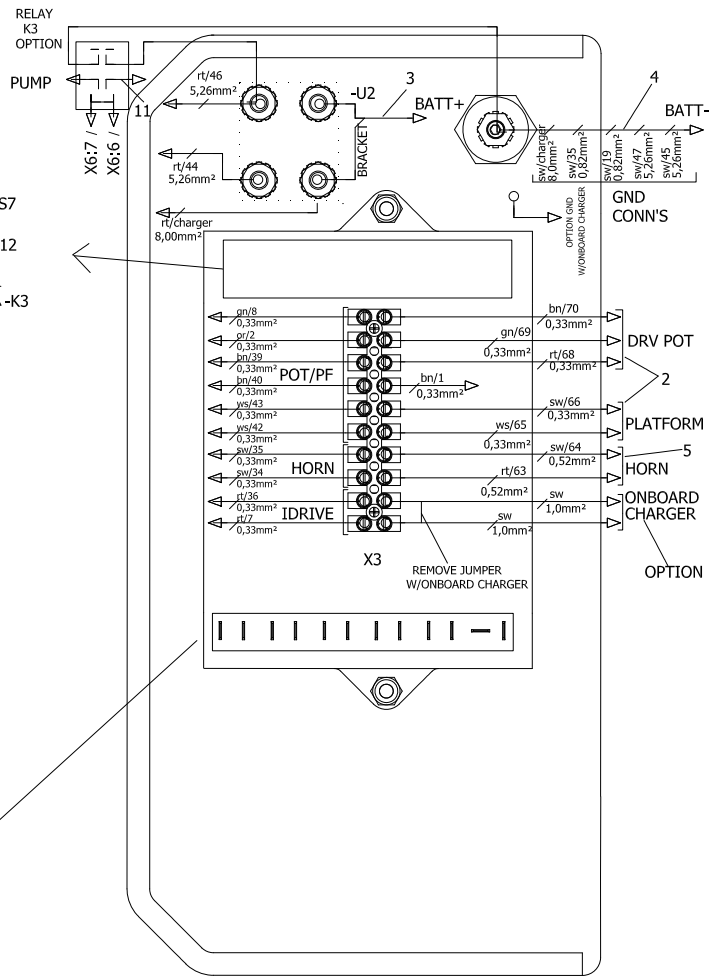
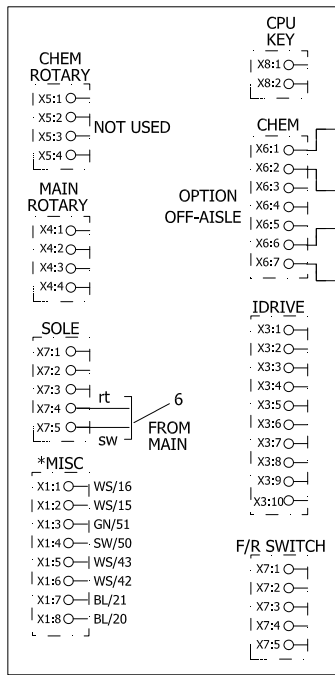


REF	PART NO.	QTY	DESCRIPTION	SERIAL NO. FROM	NOTES
1	86361230	5	CLAMP, PAN 3/4"		
2	86198460	1	CLAMP, 5/8 NYLON UL/CSA		
3	86326270	1	CLAMP, 1.5 DIA		
4	86264940	1	CABLE TIE 11.38" UL/CSA		
5	86239720	1	HORN, 108DB MINATURE W/RING		
6	86238500	1	GROMMET,1.703IDX2.5.ODX.125GRV		
7	86238430	2	GROMMET 1.00 ID 3/16 GRIP		
8	86006980	2	SCREW, 10-32 X .5 HHCS SS		
9	86372260	1	BRACKET, CABLE TIE		
10	86273780	2	SCREW, 1/4-20 X .75 HHCS SS NP		
11	86173340	2	WASHER, SPLIT LOCK, 1/4, SS		
12	86010630	2	WASHER, 1/4 ID X 5/8 OD SS		
13	86264920	2	CABLE TIE, 7" UL/CSA		

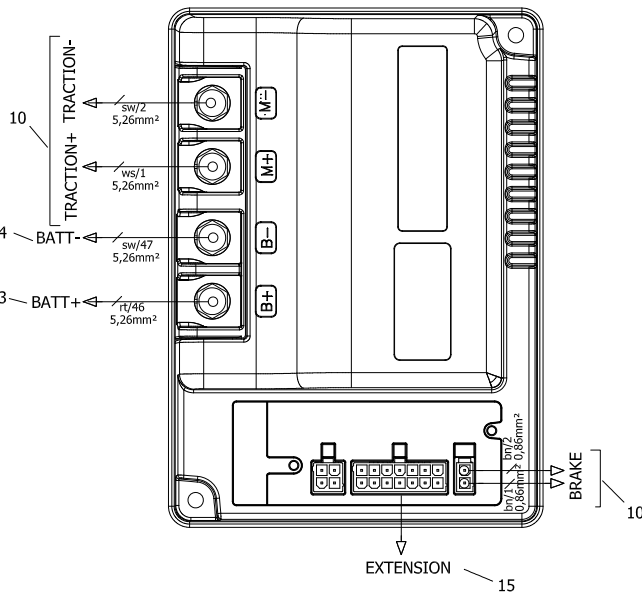


REF	PART NO.	QTY	DESCRIPTION	SERIAL NO. FROM	NOTES
1	86402050	1	HARNESS, PANEL, CE26		
2	86366540	1	HARNESS, ROTARY, MAIN, CS26		
3	86367100	1	LED, WATER INDICATOR		

Wiring 2 - From Serial Number (6*)



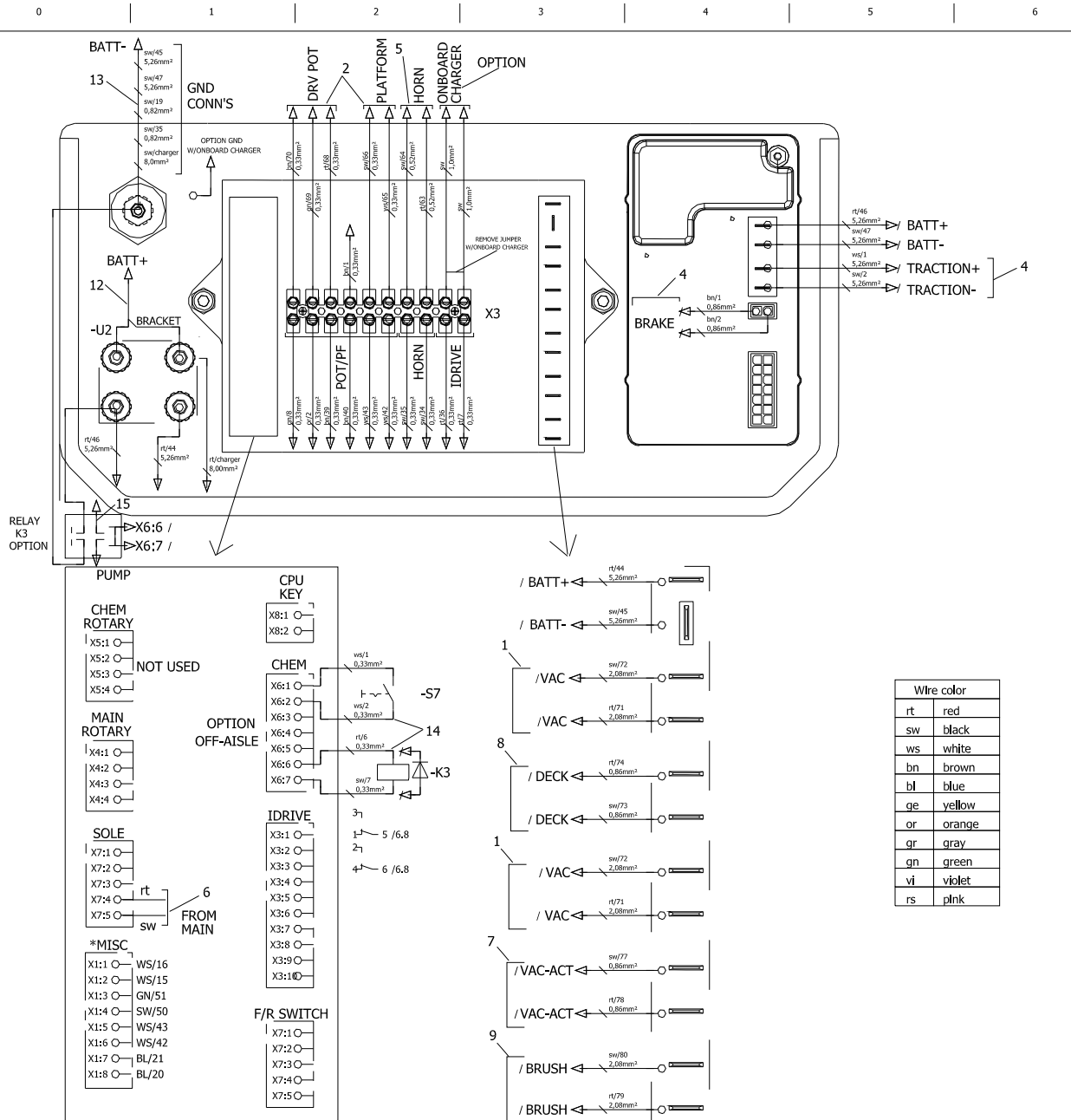
Wire color	
rt	red
sw	black
ws	white
bn	brown
bl	blue
ge	yellow
or	orange
gr	gray
gn	green
vl	violet
rs	pink



REF	PART NO.	QTY	DESCRIPTION	SERIAL NO. FROM	NOTES
1	86366610	2	HARNESS, VACUUM, CS26		
2	86361910	1	HARNESS, PLATFORM PNL, CS26		PART OF 86372590
3	86010850	1	WIRE, 4X20 RD CTERM X 5/16 RING		
4	86010860	1	WIRE, 4X20 BK CTERM X5/16 RING		
5	86366620	1	HARNESS, HORN, CS26		PART OF 86372590
6	86372620	1	HARNESS, SOLENOID, IEXTRACT 26		PART OF 86372590
7	86372640	1	HARNESS, VACUUM ACT, IEXTRACT 26		PART OF 86372590
8	86372650	1	HARNESS, DECK ACT, IEXTRACT 26		PART OF 86372590
9	86372630	1	HARNESS, BRUSH MTR, IEXTRACT 26		PART OF 86372590
10	86401500	1	HARNESS, BRAKE/DRIVE, CE26		
11	86391740	1	HARNESS, PUMP, OFF-AISLE, IEXTRACT26	(4*)	OPTION
12	86391730	1	HARNESS, RELAY/SWITCH, O-A, IEXTRACT26	(4*)	OPTION
13	86401510	1	CABLE, CTRLR BATTERY POS, CE26		PART OF 86402050
14	86401520	1	CABLE, CTRLR BATTERY NEG, CE26		PART OF 86402050
15	86399880	1	HARNESS, EXTENSION CE26		
-	86372590	1	HARNESS, MAIN, IEXTRACT 26		NOT SHOWN
-	86008760	1	CONNECTOR 175 DCA GRY W/O TERMS		NOT SHOWN
-	86366520	1	HARNESS, PLATFORM CS26		NOT SHOWN

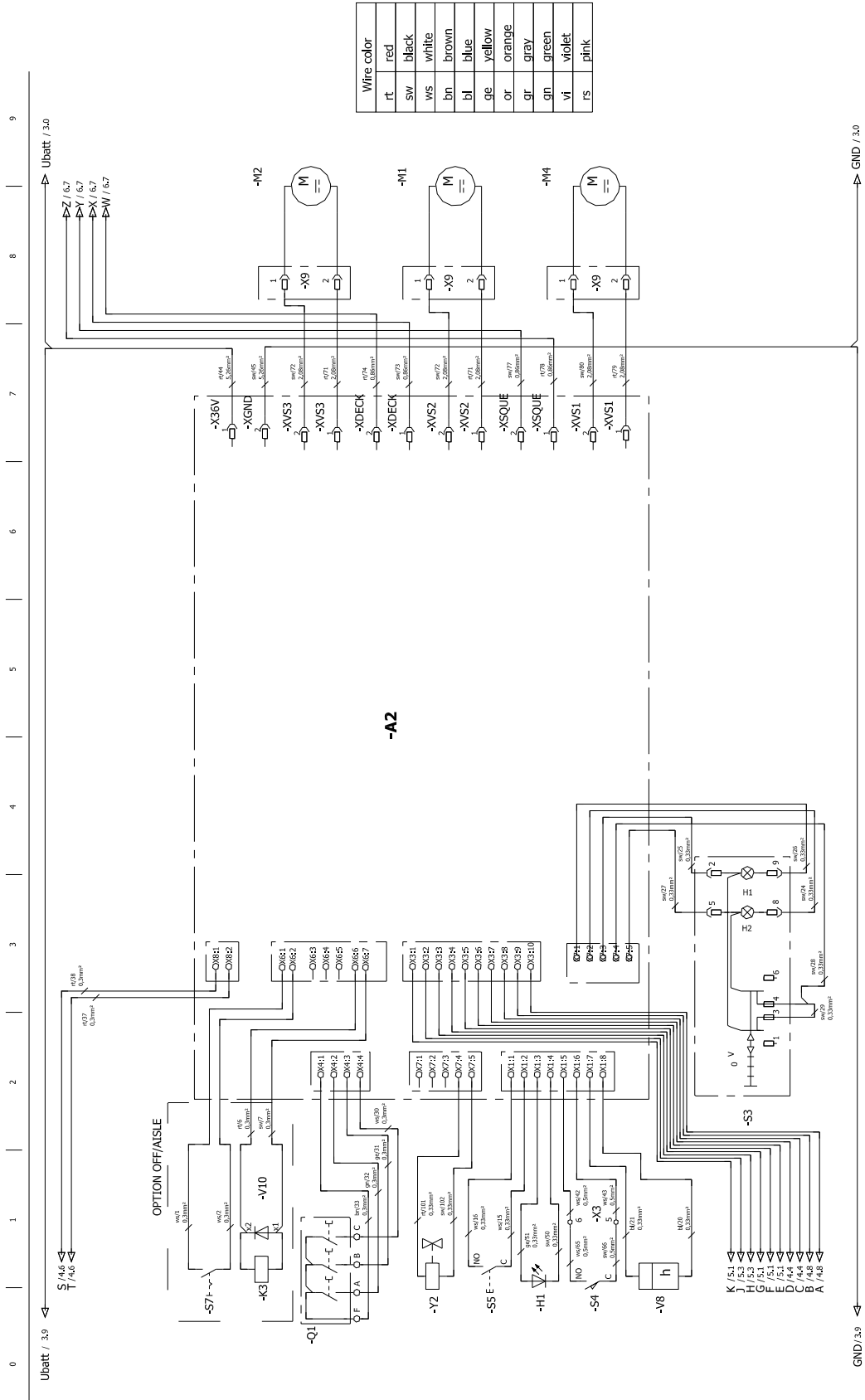
* SEE SERIAL NUMBER PAGE

Wiring 2 - Prior to Serial Number (6*)

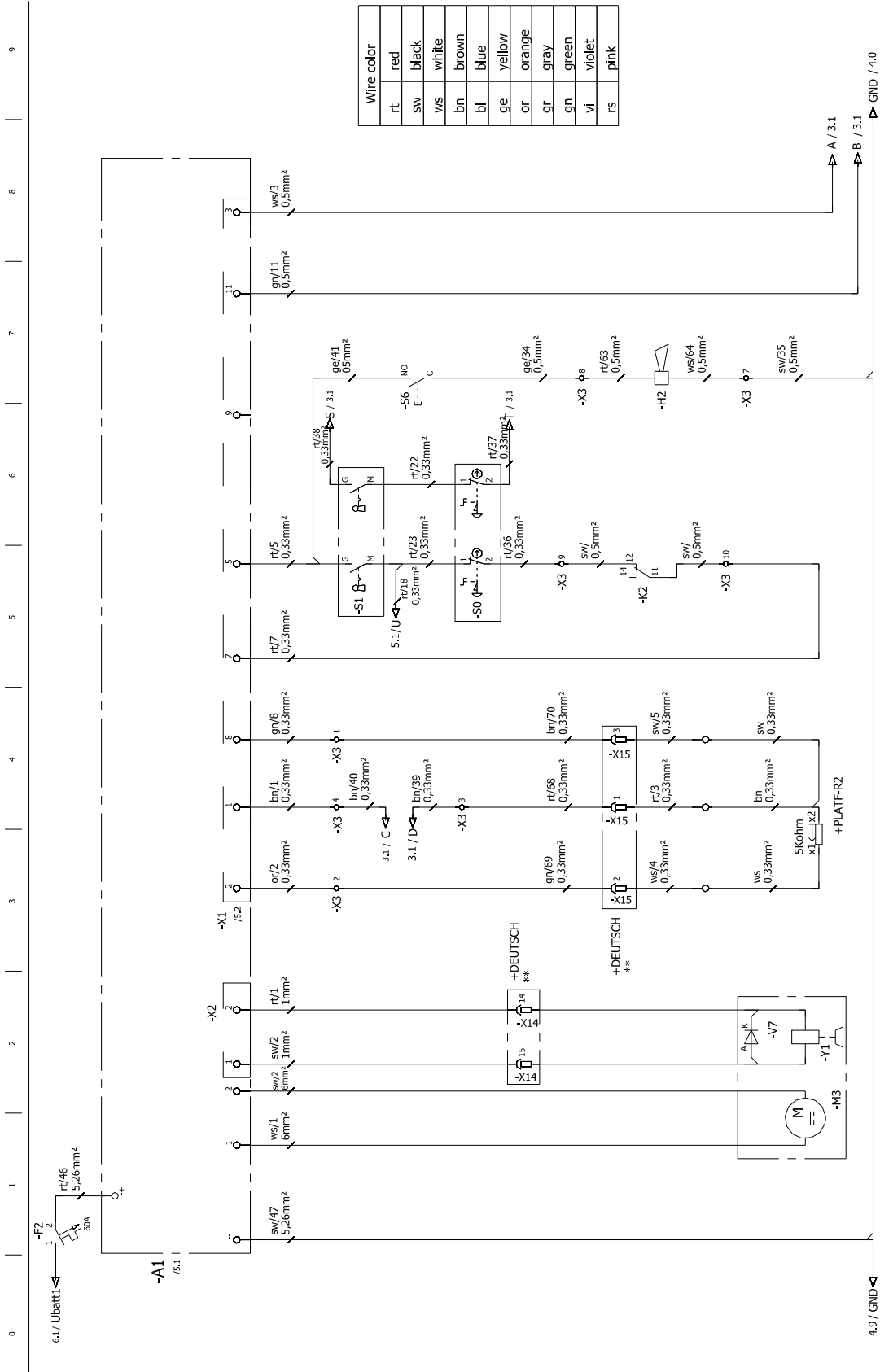


REF	PART NO.	QTY	DESCRIPTION	SERIAL NO. FROM	NOTES
1	86366610	2	HARNESS, VACUUM, CS26		
2	86361910	1	HARNESS, PLATFORM PNL, CS26		PART OF 86372590
3	86366520	1	HARNESS, PLATFORM CS26		NOT SHOWN
4	86369820	1	HARNESS, DRIVE AND BRAKE ASM		PART OF 86372590
5	86366620	1	HARNESS, HORN, CS26		PART OF 86372590
6	86372620	1	HARNESS, SOLENOID, IEXTRACT 26		PART OF 86372590
7	86372640	1	HARNESS, VACUUM ACT, IEXTRACT 26		PART OF 86372590
8	86372650	1	HARNESS, DECK ACT, IEXTRACT 26		PART OF 86372590
9	86372630	1	HARNESS, BRUSH MTR, IEXTRACT 26		PART OF 86372590
10	86372590	1	HARNESS, MAIN, IEXTRACT 26		NOT SHOWN
11	86008760	1	CONNECTOR 175 DCA GRY W/O TERMS		NOT SHOWN
12	86010850	1	WIRE, 4X20 RD CTERM X 5/16 RING		
13	86010860	1	WIRE, 4X20 BK CTERM X5/16 RING		
14	86391740	1	HARNESS, PUMP, OFF-AISLE, IEXTRACT26	(4*)	OPTION
15	86391730	1	HARNESS, RELAY/SWITCH, O-A, IEXTRACT26	(4*)	OPTION

* SEE SERIAL NUMBER PAGE



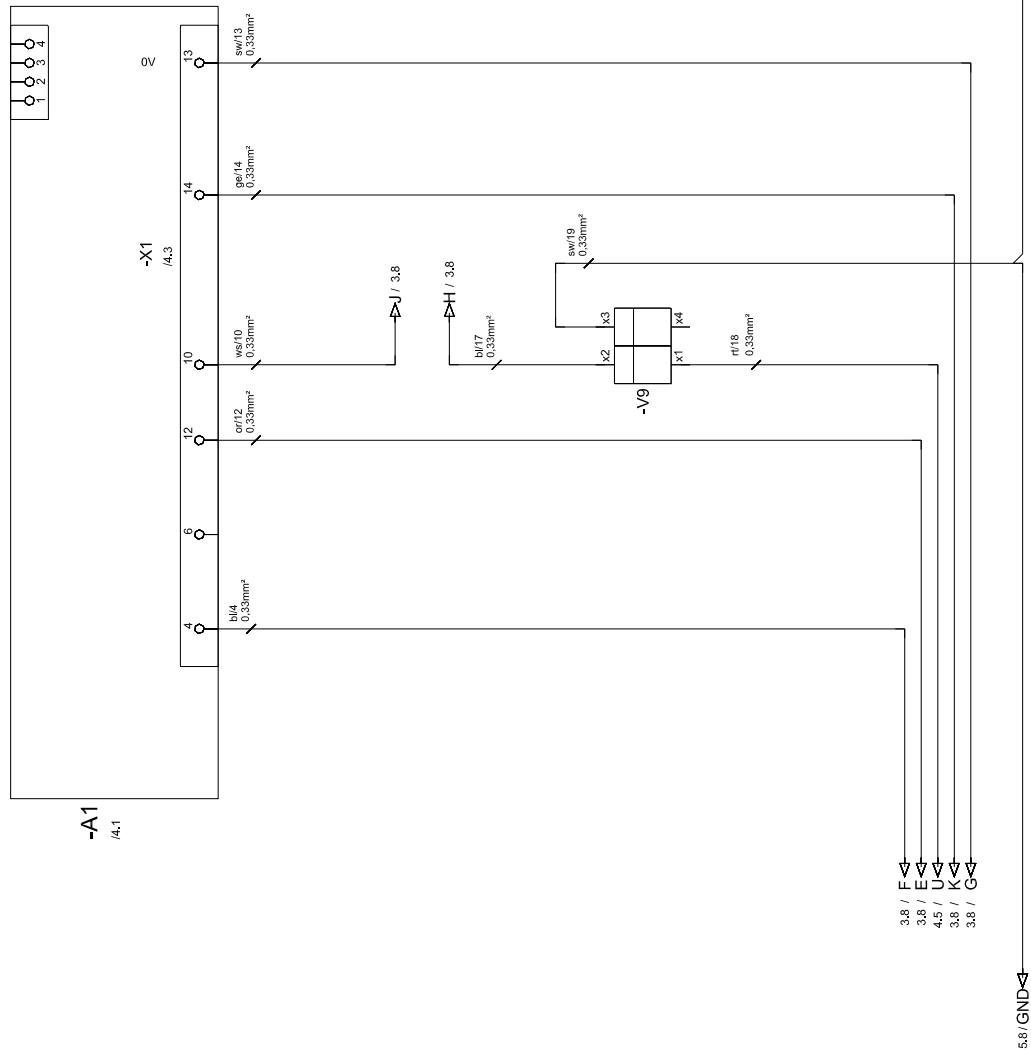
REF	DESCRIPTION
A1	IDRIVE CONTROL
A2	CPU CONTROL
G1-G3	BATTERY 12V
M1	VACUUM MOTOR
M2	VACUUM MOTOR
M3	TRACTION MOTOR
M4	BRUSH MOTOR
M5	DECK ACTUATOR
M6	VACUUM ACTUATOR
S0	E STOP
S1	KEY SWITCH
S3	F/R SWITCH
S4	PLATFORM SWITCH
S5	WATER SWITCH
S6	HORN SWITCH
S7	OFF/AISLE TOOL SWITCH
Q1	MAIN ROTARY
K3	OFF/AISLE TOOL RELAY
Y1	BRAKE
Y2	WATER SOLENOID
V8	HOUR METER
V9	TRUECHARGE
H1	WATER LED
H2	HORN
F1	PCB 60A - U2
F2	IDRIVE 60A - U2
X12/X13/X14/X15	DEUTSCH CONNECTOR
X9/X10/X11	PACKARD CONNECTOR



Wire color	Wire color
rt	red
sw	black
ws	white
bn	brown
bl	blue
ge	yellow
or	orange
gr	gray
gn	green
vi	violet
rs	pink

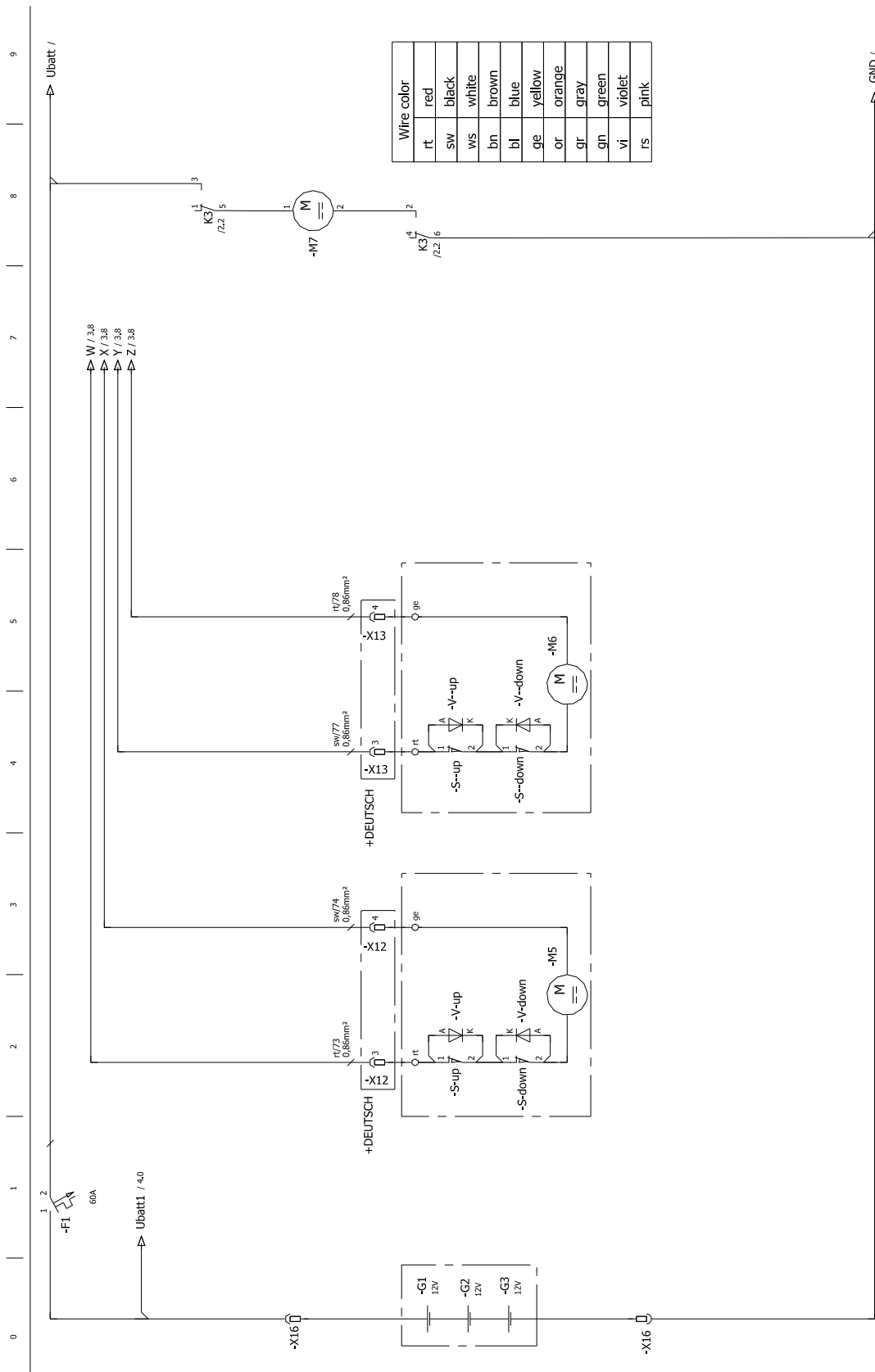
REF	DESCRIPTION
A1	IDRIVE CONTROL
A2	CPU CONTROL
G1-G3	BATTERY 12V
M1	VACUUM MOTOR
M2	VACUUM MOTOR
M3	TRACTION MOTOR
M4	BRUSH MOTOR
M5	DECK ACTUATOR
M6	VACUUM ACTUATOR
S0	E STOP
S1	KEY SWITCH
S3	F/R SWITCH
S4	PLATFORM SWITCH
S5	WATER SWITCH
S6	HORN SWITCH
S7	OFF/AISLE TOOL SWITCH
Q1	MAIN ROTARY
K3	OFF/AISLE TOOL RELAY
Y1	BRAKE
Y2	WATER SOLENOID
V8	HOUR METER
V9	TRUECHARGE
H1	WATER LED
H2	HORN
F1	PCB 60A - U2
F2	IDRIVE 60A - U2
X12/X13/X14/X15	DEUTSCH CONNECTOR
X9/X10/X11	PACKARD CONNECTOR

0 1 2 3 4 5 6 7 8



Wire color
rt
red
sw
black
ws
white
bn
brown
bl
blue
ge
yellow
or
orange
gr
gray
gn
green
vi
violet
rs
pink

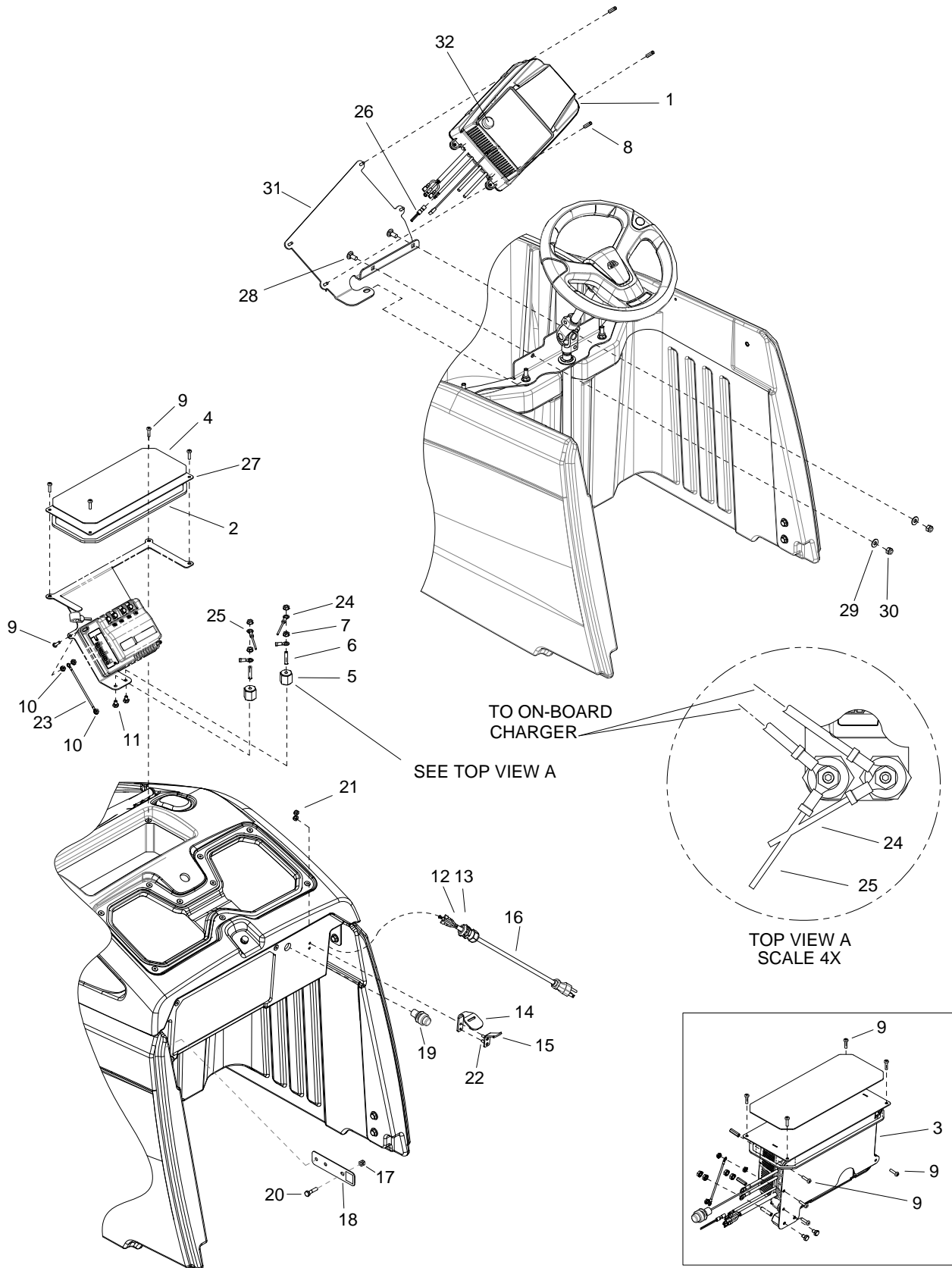
REF	DESCRIPTION
A1	IDRIVE CONTROL
A2	CPU CONTROL
G1-G3	BATTERY 12V
M1	VACUUM MOTOR
M2	VACUUM MOTOR
M3	TRACTION MOTOR
M4	BRUSH MOTOR
M5	DECK ACTUATOR
M6	VACUUM ACTUATOR
S0	E STOP
S1	KEY SWITCH
S3	F/R SWITCH
S4	PLATFORM SWITCH
S5	WATER SWITCH
S6	HORN SWITCH
S7	OFF/AISLE TOOL SWITCH
Q1	MAIN ROTARY
K3	OFF/AISLE TOOL RELAY
Y1	BRAKE
Y2	WATER SOLENOID
V8	HOUR METER
V9	TRUECHARGE
H1	WATER LED
H2	HORN
F1	PCB 60A - U2
F2	IDRIVE 60A - U2
X12/X13/X14/X15	DEUTSCH CONNECTOR
X9/X10/X11	PACKARD CONNECTOR



REF	DESCRIPTION
A1	IDRIVE CONTROL
A2	CPU CONTROL
G1-G3	BATTERY 12V
M1	VACUUM MOTOR
M2	VACUUM MOTOR
M3	TRACTION MOTOR
M4	BRUSH MOTOR
M5	DECK ACTUATOR
M6	VACUUM ACTUATOR
S0	E STOP
S1	KEY SWITCH
S3	F/R SWITCH
S4	PLATFORM SWITCH
S5	WATER SWITCH
S6	HORN SWITCH
S7	OFF/AISLE TOOL SWITCH
Q1	MAIN ROTARY
K3	OFF/AISLE TOOL RELAY
Y1	BRAKE
Y2	WATER SOLENOID
V8	HOUR METER
V9	TRUECHARGE
H1	WATER LED
H2	HORN
F1	PCB 60A - U2
F2	IDRIVE 60A - U2
X12/X13/X14/X15	DEUTSCH CONNECTOR
X9/X10/X11	PACKARD CONNECTOR

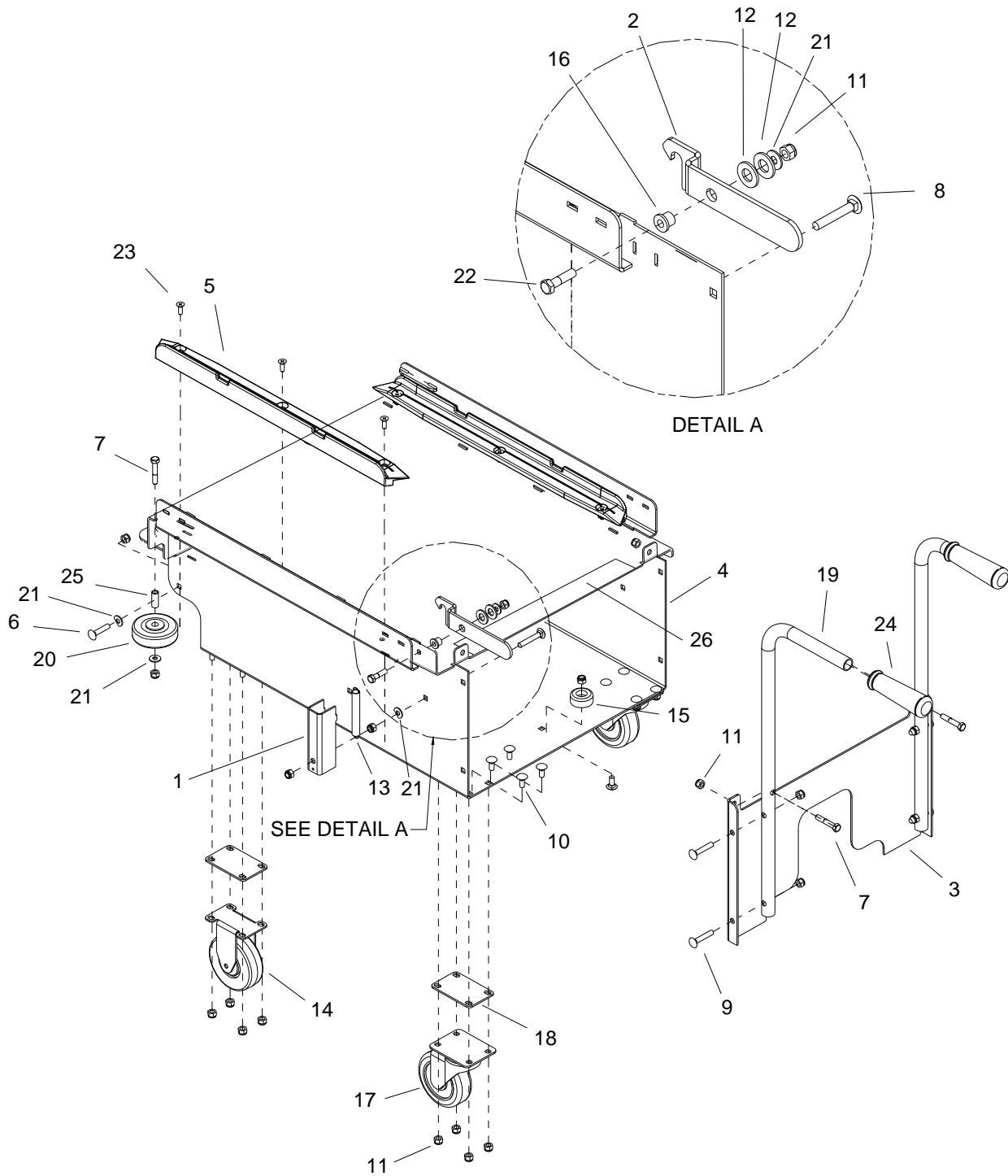
Notes:

OPTIONS



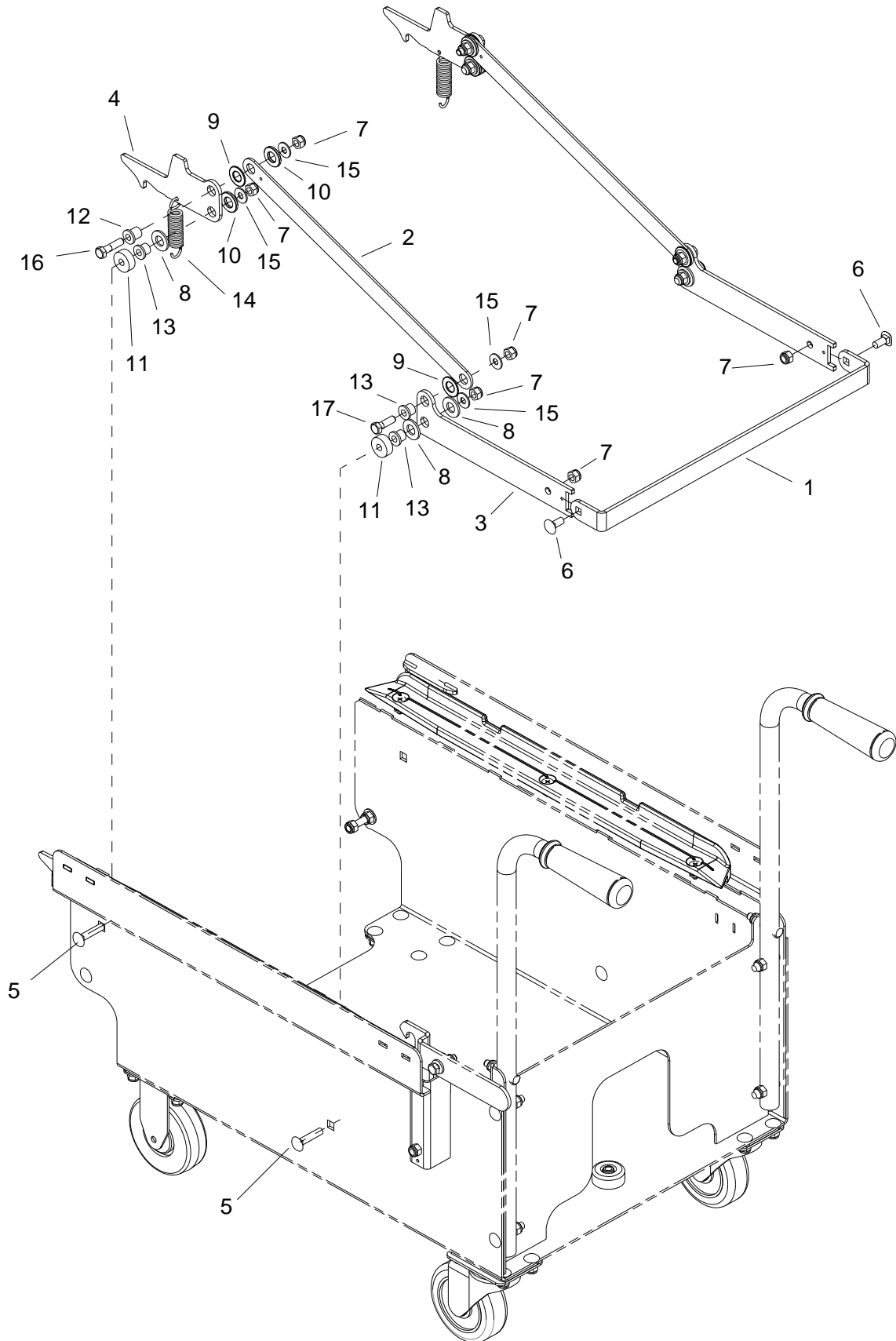
REF	PART NO.	QTY	DESCRIPTION	SERIAL NO. FROM	NOTES
1	86360460	1	CHARGER, SPE 36V 20A CBHF2		
2	86371500	1	GASKET, .188 X .31 X 36.0		
3	86369800	1	PLATE, OBC MOUNT		
4	86371490	1	PAD, CONSOLE IEXTRACT 26		
5	86255910	2	STANDOFF, 1/4-20 X 1.0 HEX INS		
6	86006850	2	SET SCREWS, 1/4-20X 1.25L		
7	86005710	4	NUT, 1/4-20 HEX W/STAR WASHER		
8	86366080	3	STANDOFF, 10-32 X 1.0 NYL		
9	86371410	5	SCREW, 10-32 X .75 TMS SS BLK		
10	86005700	3	NUT, 10-32 HEXSTRW LK STL ZNPLT		
11	86274460	2	SCREW, 1/4-20 X .375 HHCS LCSTL ZNPLT NP		
12	86005670	1	NUT, 1/2-14 CONDUIT LK STL ZNPLT		
13	86256180	1	STRAIN RELIEF, 1/2 NPT (.48ID)		
14	86361440	1	STRAP, CORD		
15	86361430	1	BRKT, CORD		
16	86363800	1	CORD ASM, 16/3 SJT X 6FT BLK		
17	86005810	1	NUT 1/4-20 HEX NYLOCK SS		
18	86371560	1	PLATE, OBC LOCK		
19	86361080	1	METER, SPE CHARGER		
20	86273740	1	SCREW, 1/4-20 x 1.5 HHCS SS		
21	86005640	2	NUT, 10-32 HEX NYLOCK STL GR2 ZNPLT		
22	86278470	2	STUD, #10-32 X 3/4 CLINCH		
23	86267510	1	WIRE, 25" GRN/14 76010 X 76010		
24	86371520	1	WIRE, 20", BLK/8, TERMINAL		
25	86371530	1	WIRE, 20", RED/8, TERMINAL		
26	86371540	2	WIRE, ASM, OBC INTERRUPT		
27	86374830	1	COVER, STEERING ACCESS	(6*)	
28	86276070	2	SCREW, 5/16-18 X .75 CARR SS	(6*)	
29	86010670	2	WASHER, 5/16 FLT SS	(6*)	
30	86270830	2	NUT, 5/16-18 HEX NYLOCK SS	(6*)	
31	86400190	1	PLATE, OBC, CE26	(6*)	
32	86401250	1	FUSE, SPE CHRGR, 250VAC, 15A		

* SEE SERIAL NUMBER PAGE

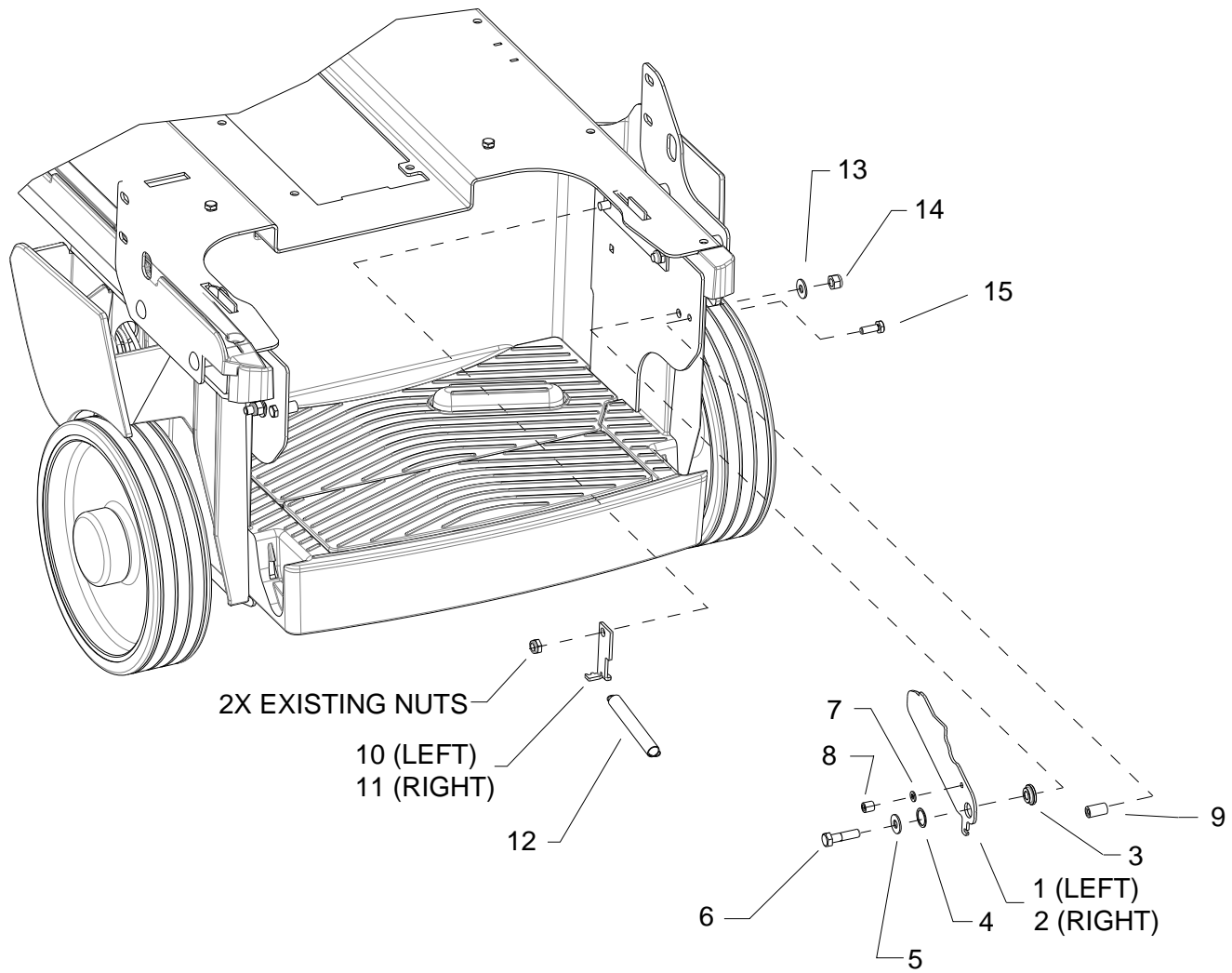


REF	PART NO.	QTY	DESCRIPTION	SERIAL NO. FROM	NOTES
1	86359450	1	BRACKET, SPRING COVER, CART		
2	86359400	1	BRKT, TRAY CATCH		
3	86359390	1	BRACKET, BACK, CART		
4	86359380	1	ASM, FRAME, BATTERY CART		
5	86358190	2	GLIDE, BATTERY TRAY		
6	86277470	2	SCR, 5/16-18 X 1.5 CARRIAGE SS		
7	86276790	4	SCR, 5/16-18 X 1.75 HHCS SS		
8	86276710	1	SCR, 5/16-18 X 2.0 CARRIAGE		
9	86276690	4	SCR, 5/16-18 X 1.75 CARR SS		
10	86276070	17	SCR, 5/16-18 X 3/4 CARRIAGE SS		
11	86270830	32	NUT, 5/16-18 HEX NYLOCK SS		
12	86259420	2	WASHER, THRUST.51 ID X 1 ODBRO		
13	86254890	1	SPRING, EXT, .50D X 4.0L		
14	86232590	2	CASTER, PT20		
15	86231090	1	BUMPER, RUBBER 5/16" ID X 1.50		
16	86228840	1	BEARING, FLANGED .313ID X .502OD		
17	86199430	2	CASTER, SWIVEL 4" 250# CPCTY		
18	86078890	4	PLATE, CASTER SPACER		
19	86076600	2	HANDLE, BATTERY CART		
20	86011020	2	WHEEL, 3" DIA. CUSHION RUBBER		
21	86010670	6	WASHER, 5/16 X 3/4 SS		
22	86007020	1	SCR, 5/16-18 X 1.25 HHCS SS		
23	86400810	6	SCREW, 1/4-20 X .75 PHFLHMS SS	(5*)	
24	86004070	2	GRIP, POLISHER HANDLE		
25	86001350	2	BUSHING, SPANNER .435 X 1.10		
26	86244280	1	LABEL, BATTERY CART OPERATION		

* SEE SERIAL NUMBER PAGE

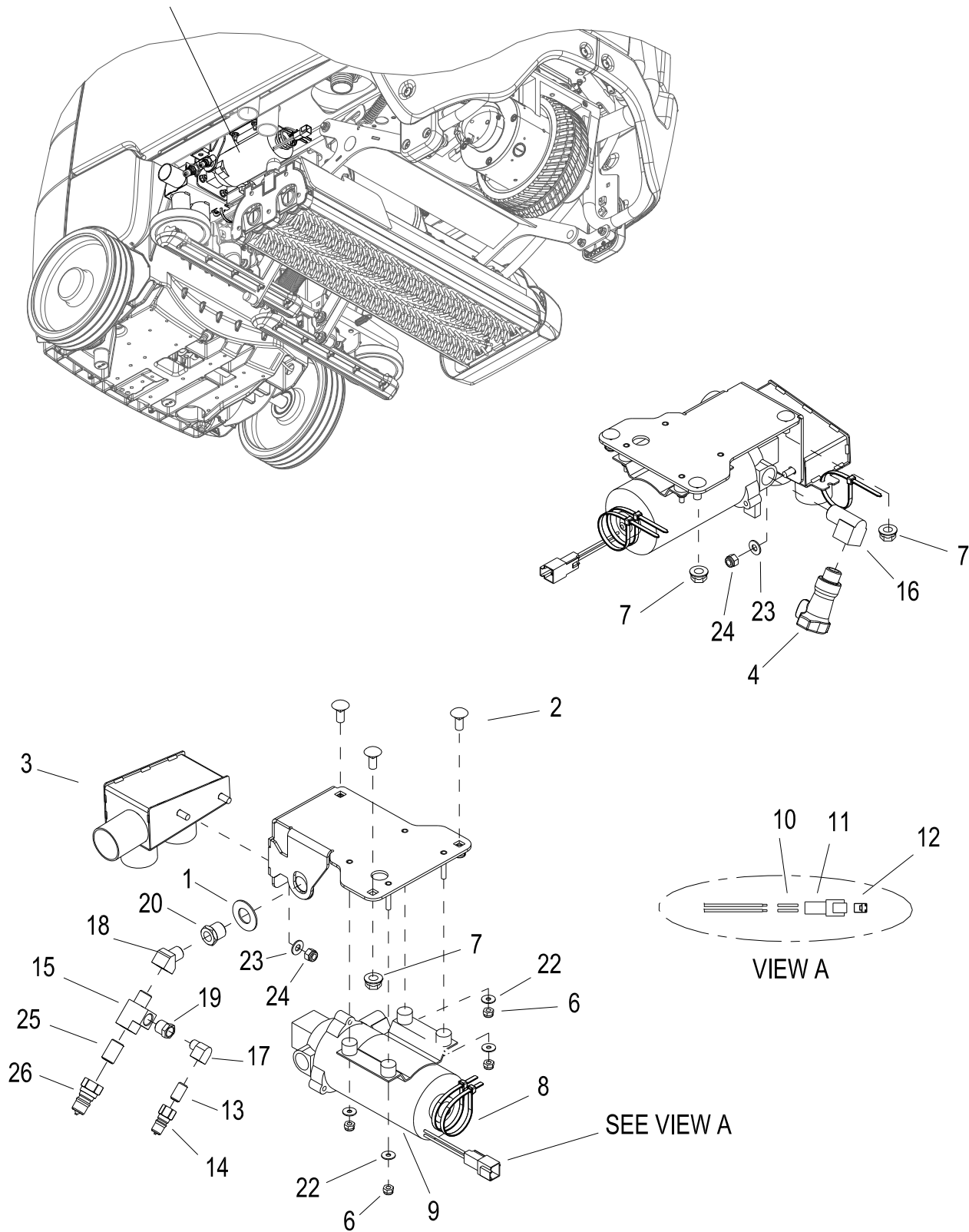


REF	PART NO.	QTY	DESCRIPTION	SERIAL NO. FROM	NOTES
1	86359440	1	BRACKET, PEDAL, CART		
2	86359430	2	PLATE, LATCH LINK, CART		
3	86359420	2	PLATE, PEDAL LINK, CART		
4	86359410	2	PLATE, LATCH, CART		
5	86277470	4	SCR, 5/16-18 X 1.5 CARRIAGE SS		
6	86276070	2	SCR, 5/16-18 X 3/4 CARRIAGE SS		
7	86270830	10	NUT, 5/16-18 HEX NYLOCK SS		
8	86259420	6	WASHER, THRUST.51 ID X 1 ODBRO		
9	86259410	4	WASHER, THRUST .51 ID X1ODX.063		
10	86259400	4	WASHER, THRUST .51 ID X 1 ODBRO		
11	86254280	4	SPACER,1.00 OD X .32 ID X .375		
12	86231150	2	BEARING FLANGED .314IDX.502OD		
13	86228840	6	BEARING, FLANGED .313IDX.502OD		
14	86226830	2	SPRING, EXT. 1.00 OD X 4.0 L		
15	86010670	8	WASHER, 5/16 X 3/4 SS		
16	86007020	2	SCR, 5/16-18 X 1.25 HHCS SS		
17	86006560	2	SCR, 5/16-18 X 1.00 HHCS SS		



REF	PART NO.	QTY	DESCRIPTION	SERIAL NO. FROM	NOTES
1	86360040	1	BATTERY STOP, LEFT		
2	86360050	1	BATTERY STOP, RIGHT		
3	86319670	2	SLEEVE, BEARING		
4	86363760	2	PLATE, SHIM .030" THIC		
5	86010670	2	WASHER 5/16 FLAT SS		
6	86007020	2	SCREW, 5/16-18 X 1.25 HHCS SS NP		
7	86279190	2	WASHER, 10 FLT TYPEB FLT ZNPLT		
8	86360090	2	STANDOFF, RND, 3/8 OD, 10-32 X3/8		
9	86298200	2	STANDOFF, .43 OD, 1/4-20 X.75 L		
10	86360060	1	BRKT, SPING MOUNT, LT		
11	86360070	1	BRKT, SPRING MOUNT, RT		
12	86254890	2	SPRING EXT, .50 D X 4.0 L		
13	86010670	2	WASHER 5/16 FLAT SS		
14	86270830	2	NUT, 5/16-18 HEX NYLOCK S		
15	86273780	2	SCREW, 1/4-20 X .75 HHCS SS NP		

PUMP-OFF-AISLE LOCATION



Pump - Off-Aisle - For Models 10061670 & 10061680 (4)*

REF	PART NO.	QTY	DESCRIPTION	SERIAL NO. FROM	NOTES
1	86391430	2	WASHER, .683 X 1.35 X .06 SS		
2	86391420	1	BRACKET, MOUNT, PUMP		
3	86391410	1	PLENUM, VACUUM		
4	86371850	1	COUPLING, QD, 3/8 NPT		
5	86276070	3	SCR, 5/16-18 X 3/4 CARRIAGE SS		
6	86270990	4	NUT, 10-32 HEX NYLOCK SS		
7	86368240	3	NUT, 5/16-18, FLGNYLOCK, SS		
8	86264940	6	CABLE TIE, 11.38" UL/CSA		
9	86006100	1	PUMP ASM, 36V ACCESSORY		
10	86257450	2	TERMINAL, 1060-16-0122		INCLUDED W/ PUMP ASM
11	86233760	1	CONNECTOR, DT04-2P		INCLUDED W/ PUMP ASM
12	86246730	1	LOCK, W2P		INCLUDED W/ PUMP ASM
13	86247720	1	NIPPLE, 1/8 CLOSE		
14	86200820	1	NIPPLE, 1/8		
15	86197760	1	TEE, 1/4 STREET		
16	86197420	1	ELBOW, 3/8NPT STREET		
17	86197400	1	ELBOW, 1/8NPT STREET		
18	86197390	1	ELBOW, 1/4NPT 45D STREET		
19	86197300	1	BUSHING, 1/8 FPT X 1/4 MPT HEX		
20	86197290	1	BUSHING, 3/8 MPT X 1/4 FPT HEX		
21	86279020	2	WASHER, #6 LOCK EXT STAR SS		NOT SHOWN
22	86010650	4	WASHER, #10 X 9/16 OD		
23	86010630	2	WASHER 1/4 ID X 5/8 OD SS		
24	86005810	2	NUT 1/4-20 HEX NYLOCK SS		
25	86005590	1	NIPPLE 1/4 CLOSE		
26	86005580	1	NIPPLE 1/4 FPT QD		
27	86251410	1	RELAY, 15A 36V MINI		NOT SHOWN
28	86255900	2	STANDOFF, 6-32 X 5/8 HEX NYL		NOT SHOWN
29	86264920	1	CABLE TIE, 7" UL/CSA		NOT SHOWN
30	86264930	3	CABLE TIE, 3.5" UL/CSA		NOT SHOWN
31	86292780	1	SWITCH, MICRO		NOT SHOWN
32	86295200	1	ASM, BUTTON, BLACK, W/BEZEL		NOT SHOWN
33	86391490	2	LABEL, OFF-AISLE, iEXTRACT 26		NOT SHOWN
34	86391730	1	HARNESS, RELAY/SWITCH, O-A, iEXTRACT26		NOT SHOWN
35	86391740	1	HARNESS, PUMP, OFF-AISLE, iEXTRACT26		NOT SHOWN
-	86392110	1	KIT, PUMP, OFF-AISLE	(4*)	COMPLETE

* SEE SERIAL NUMBER PAGE

Suggested Spare Parts

PART NO.	DESCRIPTION	SERIAL NO. FROM	NOTES
86161800	LATCH & CONCEALED KEEPER		
86360270	GASKET, .188 X .31 X 22.8		
86312920	GASKET, VAC MOTOR		
86353950	HOSE, SOLUTION DRAIN		
86354270	HOSE, RECOVERY DRAIN		
86370500	BRUSH 26"		
86343860	BELT, TWIN 5MM GT2, 15W, 130T		
86371770	O-RING, 3/16 DIA X 9.5 DIA FO		
86370670	BASE, VACUUM SHOE		

REF. NO.	MODEL: SERIAL #
1	10061670000045, 10061680000039
2	10061670000065, 10061680000062
3	10061670000096, 10061680000092
4	10061670000170, 10061680000149
5	10061670000241, 10061680000214, 10061780000001, 10061790000008
6	10061670000258, 10061680000242, 10061780000001, 10061790000008
7	10061670000260, 10061680000242, 10061780000001, 10061790000008