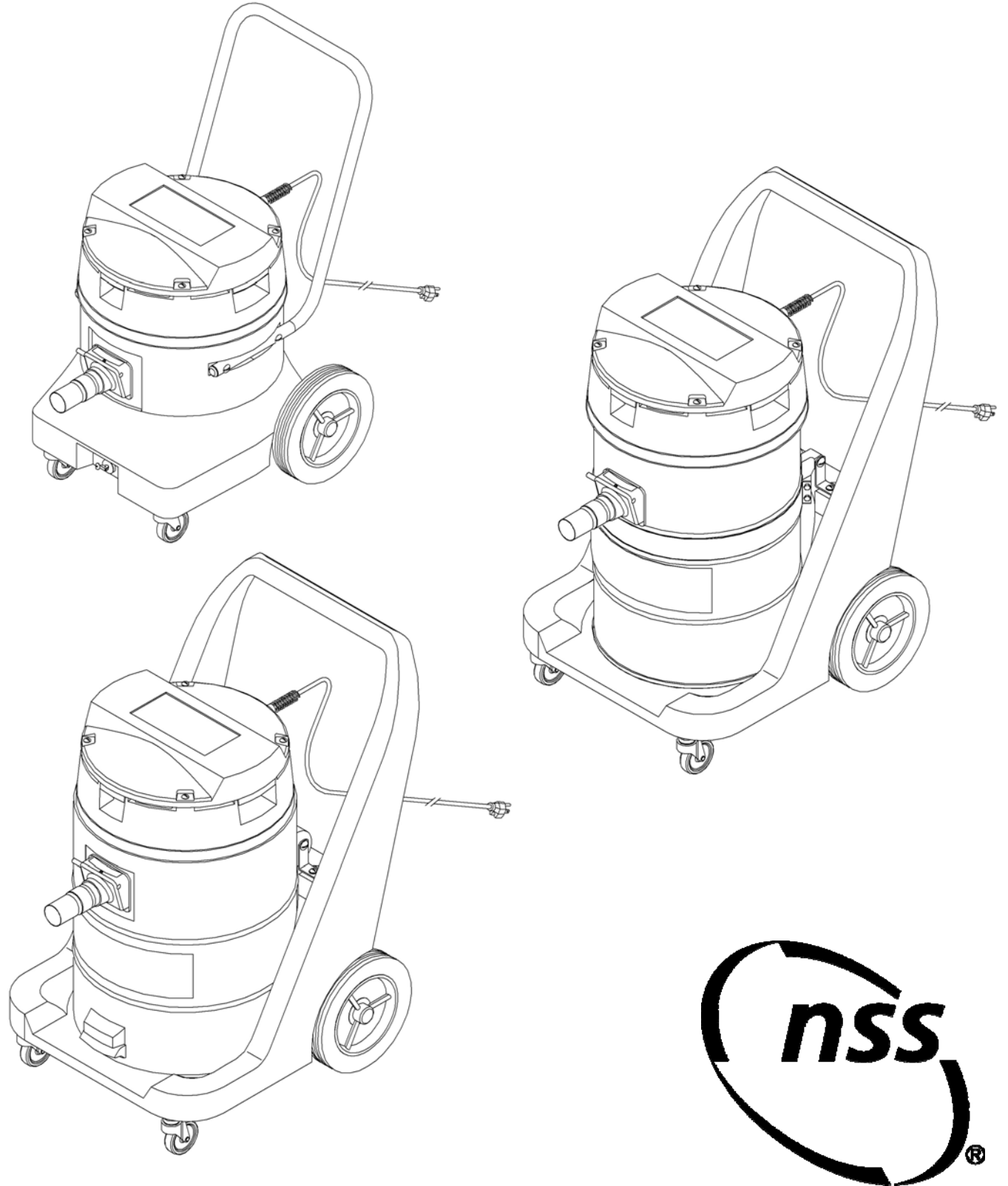
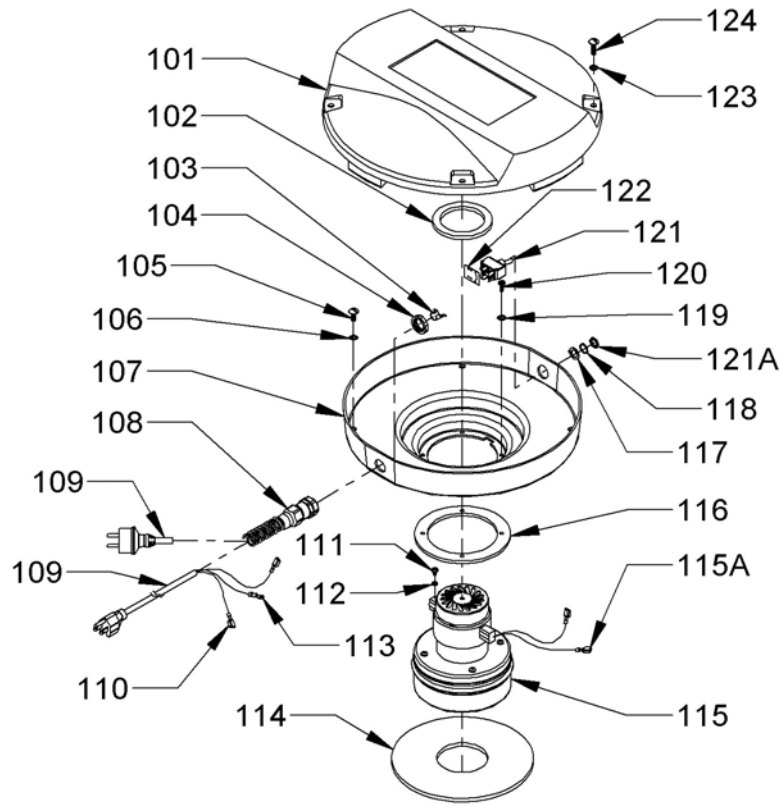


PARTS LIST
COLT 800 - 1250 - 1450
COLT HEPA - 1250 - 1450

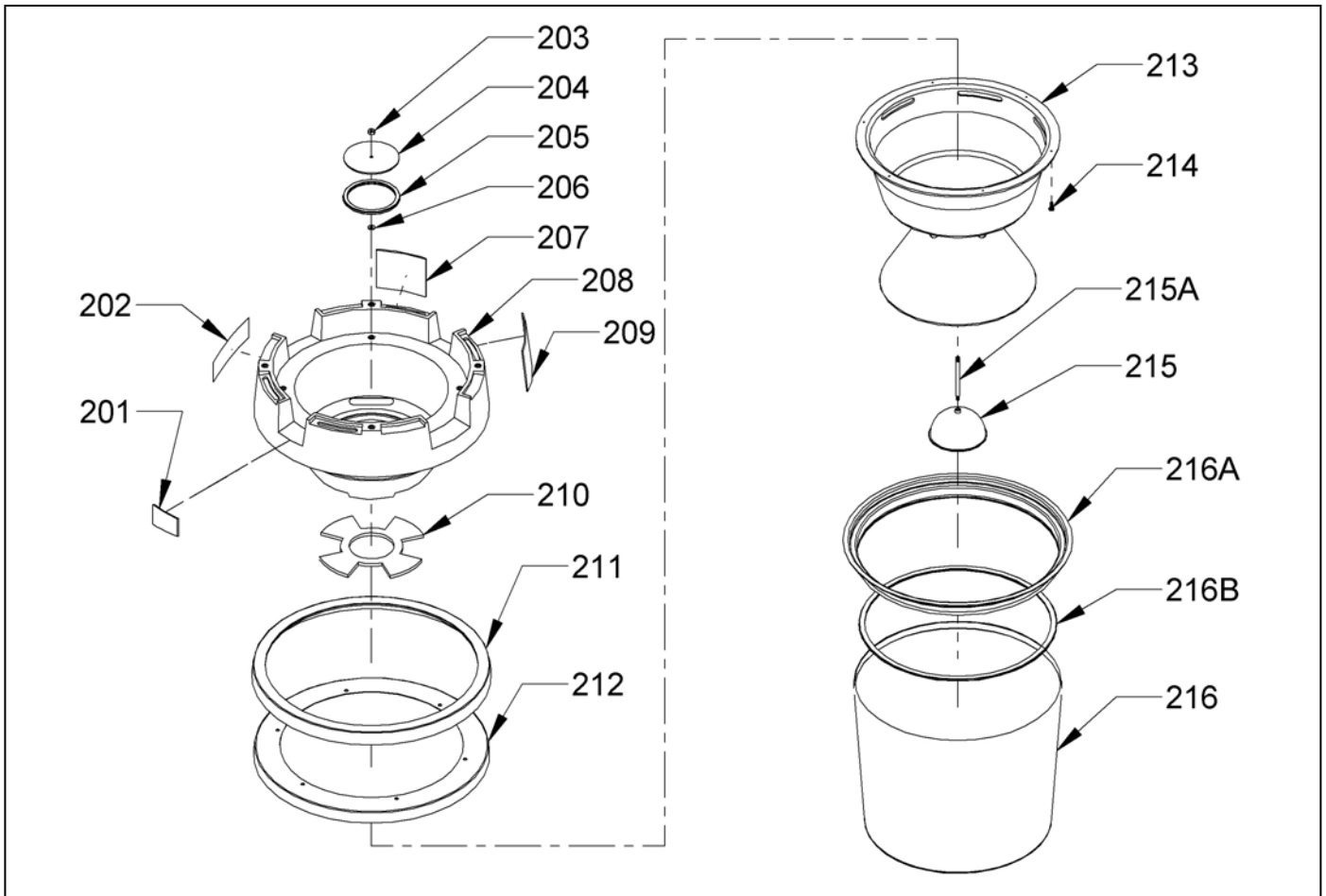


MOTOR / LID



ITEM	PART NO.	PART DESCRIPTION	QTY.
101	0891201	TOP COVER	1
102	0294341	TOP MOTOR SEAL	1
103	0299861	STRAIN RELIEF CORD CLAMP	1
104	0891131	STRAIN RELIEF NUT	1
105	9121040	1/4-20 X 5/8 ROUND HEAD PHILLIPS MACHINE SCREW - PACK OF 5	4
106	9120970	1/4 EXTERNAL STAR LOCK WASHER - PACK OF 10	4
107	0891211	AIR SEPARATOR	1
108	0299531	STRAIN RELIEF	1
109	0299621	POWER CORD - 120 VOLT ONLY	1
109	0299671	SHUKO PLUG POWER CORD 75' - 240 VOLT ONLY	1
109	0396281	TYPE I PLUG POWER CORD (CHINA) - 240 VOLT	1
110	4991361	FULLY INSULATED FEMALE TERMINAL 18-22 AWG	2
111	9120590	#10-24 X 3/8 PAN HEAD PHILLIPS THREAD CUTTING SCREW - PACK OF 10	1
112	9120320	#10 SPLIT LOCK WASHER - PACK OF 10	1
113	0298981	#10 RING TERMINAL 14-16 AWG	1
114	0891221	LOWER SEAL GASKET	1
115	0296439	VAC MOTOR - 120 VOLT WITH TERMINALS - INCLUDES:	1
	0299331	CARBON BRUSHES	2
	0296459	VAC MOTOR - 240 VOLT WITH TERMINALS - INCLUDES:	1
	0299331	CARBON BRUSHES	2
116	4690101	VAC MOTOR FLOAT GASKET	1
117	4691621	SWITCH LOCK RING	1
118	9121975	1/2 INTERNAL STAR LOCK WASHER - PACK OF 5	1
119	9120330	#10 EXTERNAL STAR LOCK WASHER - PACK OF 10	4
120	9120790	#10 X 5/8 PAN HEAD PHILLIPS SHEET METAL SCREW - PACK OF 10	4
121	0891141	TOGGLE SWITCH - INCLUDES:	1
121A	0798941	9/16" HEX NUT - PACK OF 1	1
122	0892141	TOGGLE SWITCH COVER	1
123	9120970	1/4 EXTERNAL STAR LOCK WASHER - PACK OF 10	4
124	9121020	1/4-20 X 1 TRUSS HEAD PHILLIPS MACHINE SCREW - PACK OF 5	4

NON - HEPA POWER HEAD

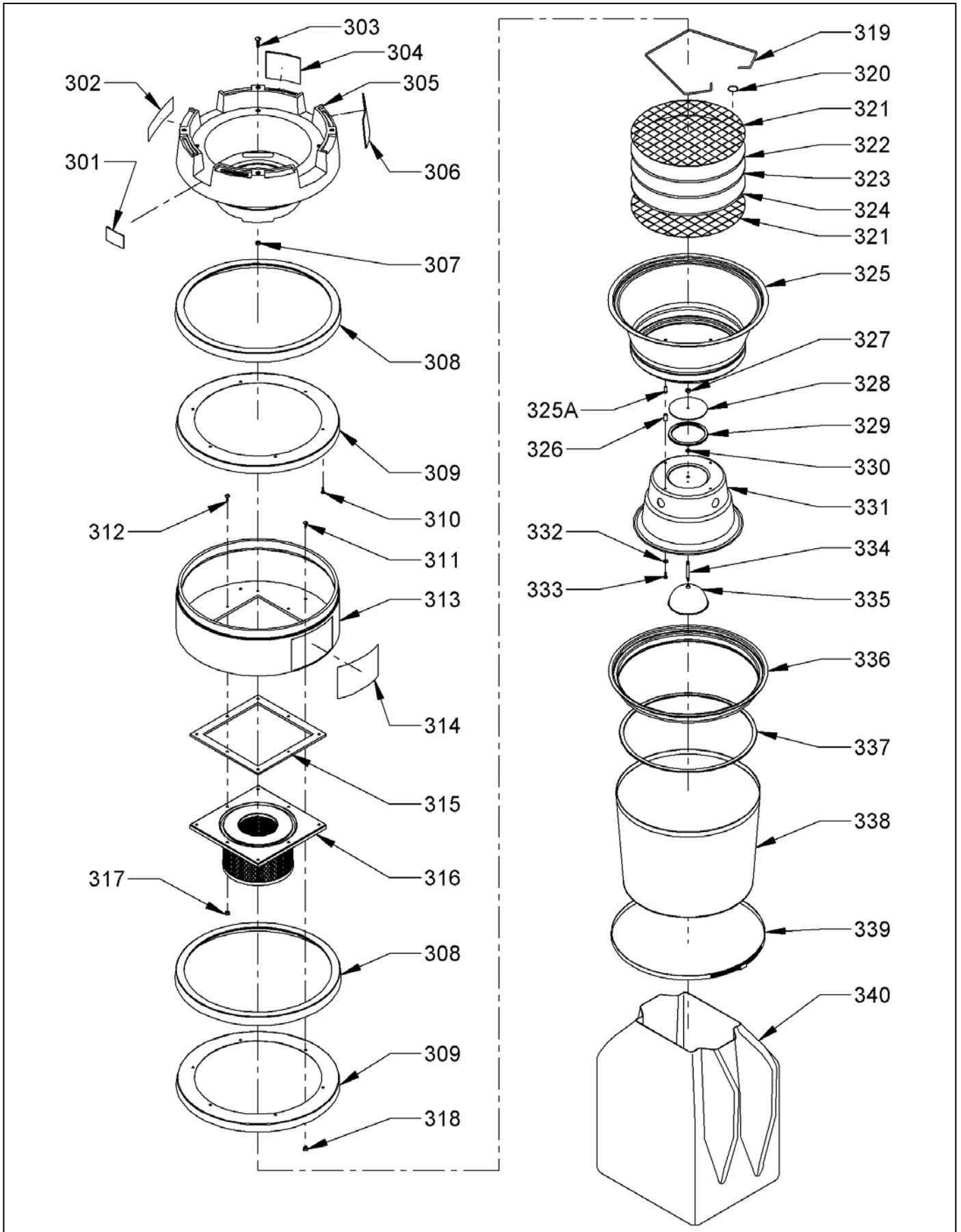


<u>ITEM</u>	<u>PART NO.</u>	<u>DESCRIPTION</u>	<u>QTY.</u>
201	0892481	ON / OFF LABEL	1
202	0892231	IDENTIFIER LABEL - COLT 800 P	1
	0892241	IDENTIFIER LABEL - COLT 1250 S	1
	0892251	IDENTIFIER LABEL - COLT 1450 P	1
203	9120350	#10-24 HEX NUT WITH NYLOK INSERT - PACK OF 10	1
204	0691271	FLOAT DISC	1
205	0691261	FLOAT DISC GASKET WITH ADHESIVE	1
206	9120370	7/32 I.D. X 1/2 O.D. X .032/.065 THICK FLAT WASHER - #10 - PACK OF 10	1
207	0190911	GROUNDING LABEL - 120 VOLT ONLY	1
	0190921	ICON ADAPTOR LABEL - 240 VOLT ONLY	1
208	0891011	FLOAT SUPPORT	1
209	0190901	WARNING LABEL	1
210	0891071	FLOAT STAND GASKET	1
211	0891061	LID GASKET	1
212	0891053	LID GASKET SUPPORT	1
213	0891021	FLOAT STAND	1
214	9120790	#10 X 5/8 PAN HEAD SHEET METAL SCREW - PACK OF 10	6
215	0690319	FLOAT AND STEM ASSEMBLY - INCLUDES:	1
	0690311	FLOAT	1
	0690811	FLOAT STEM	1
216	0891939	DYNEL FILTER ASSEMBLY - INCLUDES:	1
	0691911	DYNEL BAG - CLOTH	1
216A	0690341	BAG RING ONLY	1
216B	0691751	BAG GASKET	1
216	0892171	PAPER BAG - OPTIONAL	1

HEPA POWER HEAD

ITEM	PART NO.	DESCRIPTION	QTY
301	0892481	ON / OFF LABEL	1
302	0892241	IDENTIFIER LABEL - COLT HEPA 1250 S	1
	0892251	IDENTIFIER LABEL - COLT HEPA 1450 P	1
303	9121020	1/4-20 X 1 TRUSS HEAD PHILLIPS MACHINE SCREW - PACK OF 5	1
304	0190911	GROUNDING LABEL - 120 VOLT ONLY	1
	0190921	ICON ADAPTOR LABEL - 240 VOLT ONLY	1
305	0891011	FLOAT SUPPORT	1
306	0190901	WARNING LABEL - 120 VOLT ONLY	1
307	9120890	1/4-20 HEX NUT WITH NYLOK INSERT - THIN - PACK OF 5	1
308	0891061	LID GASKET	2
309	0891053	LID GASKET SUPPORT	2
310	9120790	#10 X 5/8 PAN HEAD SHEET METAL SCREW - PACK OF 10	6
311	9120520	#10-24 X 5/8 TRUSS HEAD PHILLIPS MACHINE SCREW - PACK OF 10	6
312	9120360	#10-24 HEX NUT WITH STAR LOCK WASHER - PACK OF 10	8
313	0891321	HEPA FILTER STAND	1
314	0892421	HEPA FILTER STAND LABEL KIT	1
315	0891281	HEPA FILTER GASKET	1
316	0891291	HEPA FILTER	1
317	9120635	#10-24 X 7/8 PAN HEAD PHILLIPS MACHINE SCREW - PACK OF 10	8
318	9120360	#10-24 HEX NUT WITH STAR LOCK WASHER - PACK OF 10	6
319	0691241	WIRE RETAINING FORM	1
320	2392561	CIRCLE COTTER	1
321	0691231	SCREEN	2
322	0891191	UPPER FILTER DISC	1
323	0691221	FILTER - 80 PORE	1
324	0891181	LOWER FILTER DISC	1
325	0691199	MICRO FILTER SUPPORT - INCLUDES:	1
325A	0690251	RIVET NUT	4
326	0691422	SPACER	4
327	9120350	#10-24 HEX NUT WITH NYLOK INSERT - PACK OF 10	1
328	0691271	FLOAT DISC	1
329	0691261	FLOAT DISC GASKET WITH ADHESIVE	1
330	9120370	7/32 I.D. X 1/2 O.D. X .032/.065 THICK FLAT WASHER - #10 - PACK OF 10	1
331	0691209	MICRO FILTER MOTOR STAND ASSEMBLY	1
332	9120495	#10 INTERNAL STAR LOCK WASHER - PACK OF 10	4
333	9120780	#10-32 X 1 1/4 ROUND HEAD SLOT MACHINE SCREW - PACK OF 5	4
334	0691431	FLOAT STEM	1
335	0690311	FLOAT	1
336	0690341	BAG RING ONLY	1
337	0691751	BAG GASKET	1
338	0892161	MICRO FILTER BAG	1
339	0690222	BAND CLAMP - FILTER BAG	1
340	0892171	PAPER BAG	1

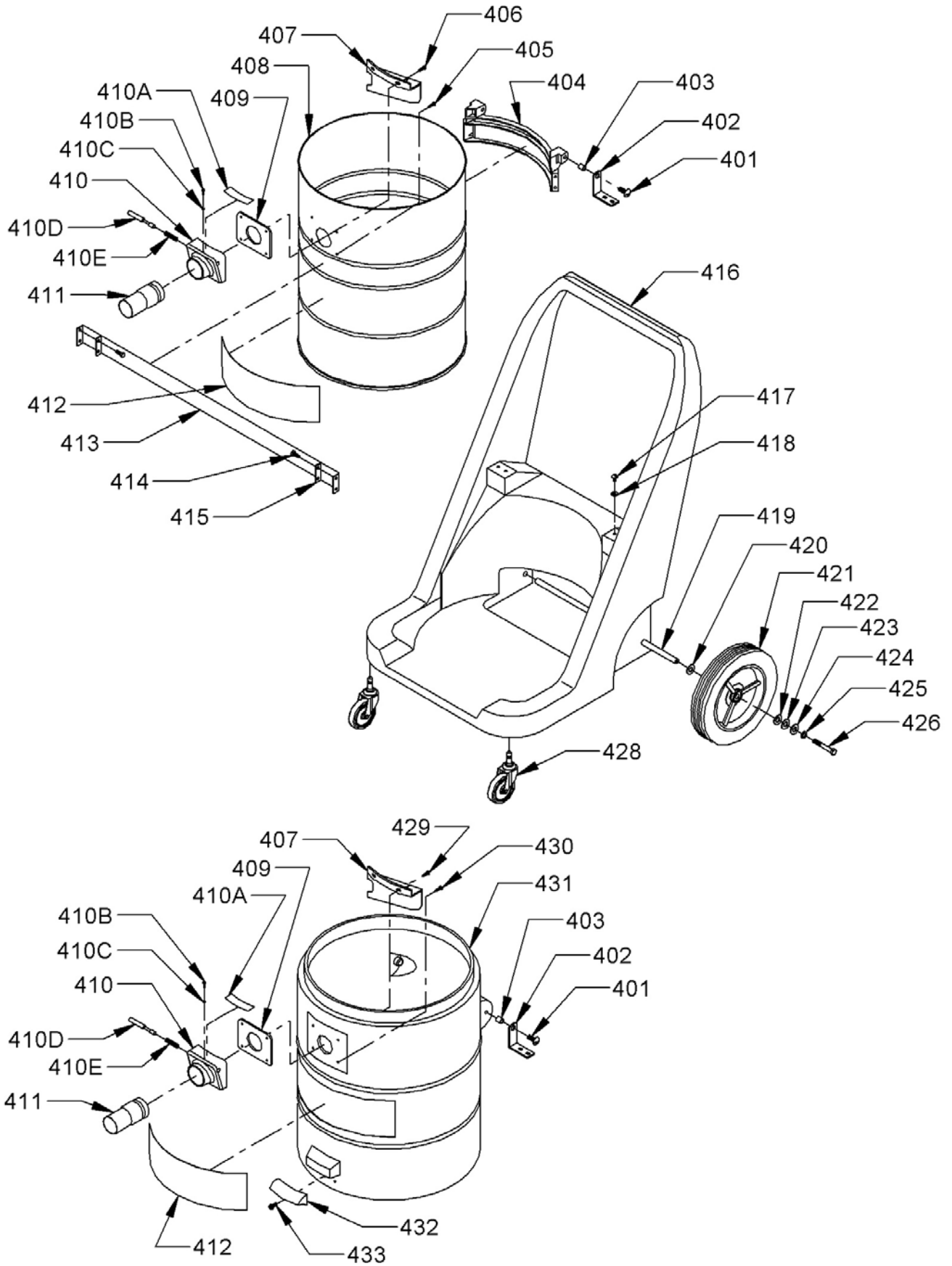
HEPA POWER HEAD



CONTAINERS WITH TIP BASES (1250 & 1450)

ITEM	PART NO.	DESCRIPTION	QTY
401	9122040	3/8-16 X 1 ROUND HEAD PHILLIPS MACHINE SCREW - PACK OF 1	2
402	0891623	PIVOT BRACKET	2
403	0290971	SPACER	2
404	0690322	HINGE BRACKET - 1250 ONLY	1
405	9120610	10-24 X 5/8 PAN HEAD PHILLIPS THREAD CUTTING SCREW - PACK OF 10	2
406	9120620	10-24 X 3/4 PAN HEAD PHILLIPS THREAD CUTTING SCREW - PACK OF 10	2
407	0297101	BAFFLE – INTAKE	1
408	0690375	12.5 GALLON CAN - STAINLESS STEEL - 1250 ONLY	1
	0297029	INTAKE ASSEMBLY AND GASKET - INCLUDES:	1
409	4690531	INTAKE GASKET	1
410	0297019	INTAKE ASSEMBLY - INCLUDES:	1
	0297015	INTAKE ONLY	1
410A	0892441	BAG INSTRUCTION LABEL	1
410B	9120230	#8-32 X 1/2 PAN HEAD PHILLIPS MACHINE SCREW - PACK OF 10	1
410C	9120200	#8 SPLIT WASHER - PACK OF 10	1
410D	0299271	PLUNGER PIN	1
410E	0299261	PLUNGER SPRING	1
411	2590801	HOSE COUPLING	1
412	2694921	NSS LOGO LABEL	1
413	0690522	BAND CLAMP - 1250 ONLY	1
414	9121250	1/4-20 X 3/4 HEX BOLT - 1250 ONLY - PACK OF 10	4
415	0690532	BAND CLAMP PLATE - 1250 ONLY	2
416	0891661	TIP BASE	1
417	9121090	1/4-20 X 1/2 TRUSS HEAD PHILLIPS MACHINE SCREW - PACK OF 5	4
418	9120970	1/4 EXTERNAL STAR LOCK WASHER - PACK OF 10	4
419	0891611	AXLE	1
420	5390811	1/2 I.D. X 1 O.D. X .07 THICK FLAT WASHER - NYLATRON - PACK OF 1	2
421	4892731	10 INCH WHITE PLASTIC WHEEL	2
422	5390811	1/2 I.D. X 1 O.D. X .07 THICK FLAT WASHER - NYLATRON - PACK OF 1	2
423	9122465	.516 I.D. X .813 O.D. X .027/.030 THICK FLAT WASHER - PACK OF 2	2
424	9120930	9/32 I.D. X 5/8 O.D. X .051/.080 THICK FLAT WASHER (1/4) - PACK OF 10	2
425	9120880	1/4 SPLIT LOCK WASHER - PACK OF 10	2
426	9121210	1/4-20 X 5/8 HEX BOLT - PACK OF 10	2
428	0290011	CASTER	2
429	9120630	#10-24 X 7/8 PAN HEAD THREAD CUTTING SCREW - PACK OF 2	2
430	9120620	#10-24 X 3/4 PAN HEAD PHILLIPS THREAD CUTTING SCREW - PACK OF 10	2
431	0891501	14.5 GALLON (POLY) CAN - 1450 ONLY	1
432	0798685	HANDLE - 1450 ONLY	1
433	9120540	#10-24 X 1/2 FLAT HEAD PHILLIPS MACHINE SCREW - 1450 ONLY - PK OF 10	3

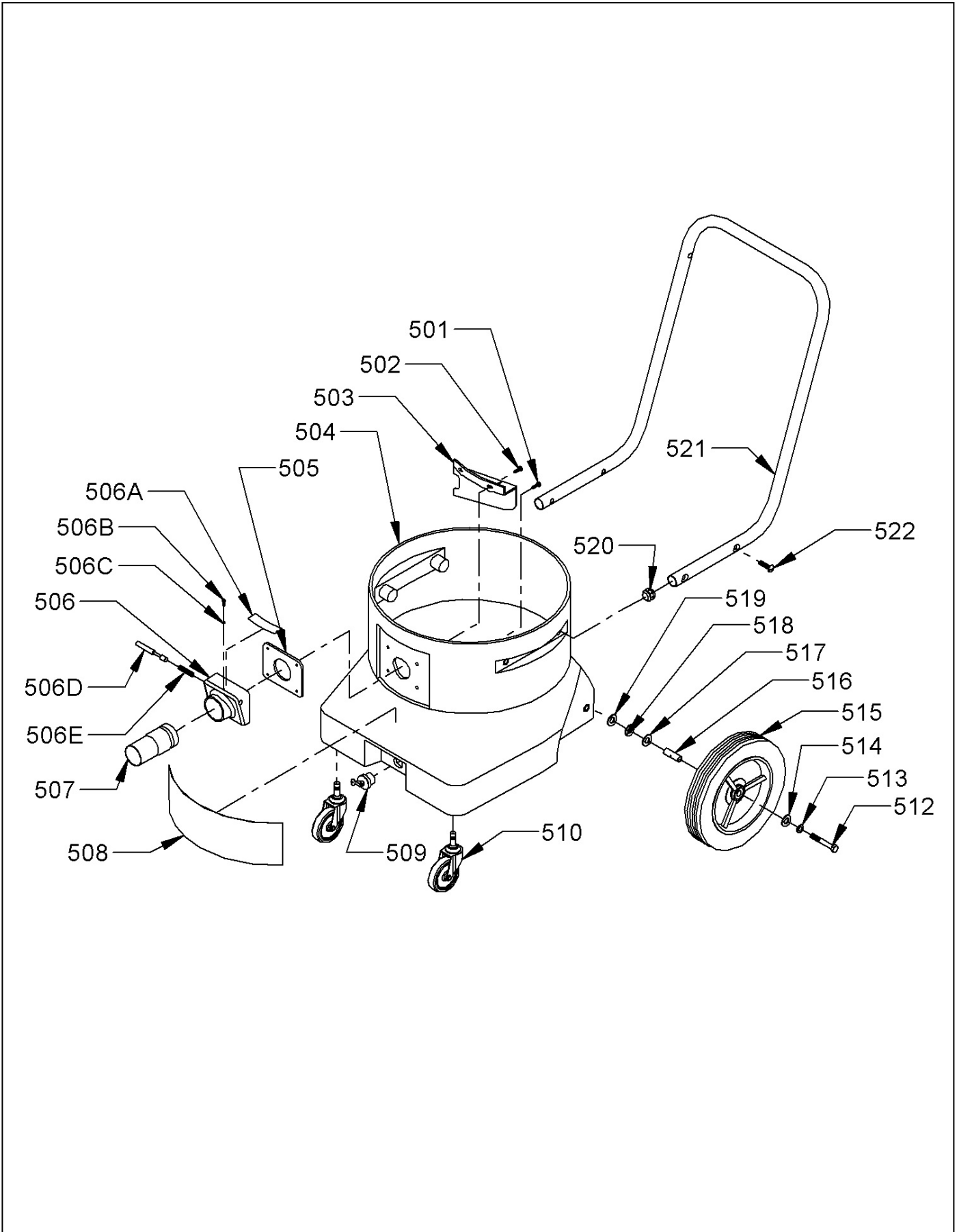
CONTAINERS WITH TIP BASES (1250 & 1450)



CONTAINER WITH TRANSPORT HANDLE (800)

ITEM	PART NO.	DESCRIPTION	QTY
501	9120620	#10-24 X 3/4 PAN HEAD THREAD CUTTING SCREW - PACK OF 10	2
502	9120630	#10-24 X 7/8 PAN HEAD THREAD CUTTING SCREW - PACK OF 2	2
503	0297101	BAFFLE – INTAKE	1
504	0891401	8 GALLON CAN WITH BASE	1
	0297029	INTAKE ASSEMBLY AND GASKET - INCLUDES:	1
505	4690531	INTAKE GASKET	1
506	0297019	INTAKE ASSEMBLY - INCLUDES:	1
	0297015	INTAKE ONLY	1
506A	0892441	BAG INSTRUCTION LABEL	1
506B	9120230	#8-32 X 1/2 PAN HEAD PHILLIPS MACHINE SCREW - PACK OF 10	1
506C	9120200	#8 SPLIT WASHER - PACK OF 10	1
506D	0299271	PLUNGER PIN	1
506E	0299261	PLUNGER SPRING	1
507	2590801	HOSE COUPLING	1
508	2694921	NSS LOGO LABEL	1
509	0891261	SNAP TITE PLUG	1
510	0290011	CASTER	2
512	9122080	3/8-16 X 2 1/2 HEX BOLT - PACK OF 1	2
513	9122100	3/8 SPLIT LOCK WASHER - PACK OF 10	2
514	9121980	7/16 I.D. X 1 O.D. X .075/.080 THICK FLAT WASHER (3/8) - PACK OF 2	2
515	4892731	10 INCH WHITE PLASTIC WHEEL	2
516	5294391	AXLE SPACER	2
517	5390811	1/2 I.D. X 1 O.D. X .07 THICK FLAT WASHER - NYLATRON - PACK OF 1	2
518	9121985	13/32 I.D. X 1 O.D. X .12 THICK FLAT WASHER (11 GAUGE) - PACK OF 1	2
519	9121980	7/16 I.D. X 1 O.D. X .075/.080 THICK FLAT WASHER (3/8) - PACK OF 2	2
520	0690761	BUTTON PLUG	2
521	0891411	TRANSPORT HANDLE	1
522	9122060	3/8-16 X 1 1/4 OVAL HEAD PHILLIPS MACHINE SCREW - PACK OF 1	4

CONTAINER WITH TRANSPORT HANDLE (800)

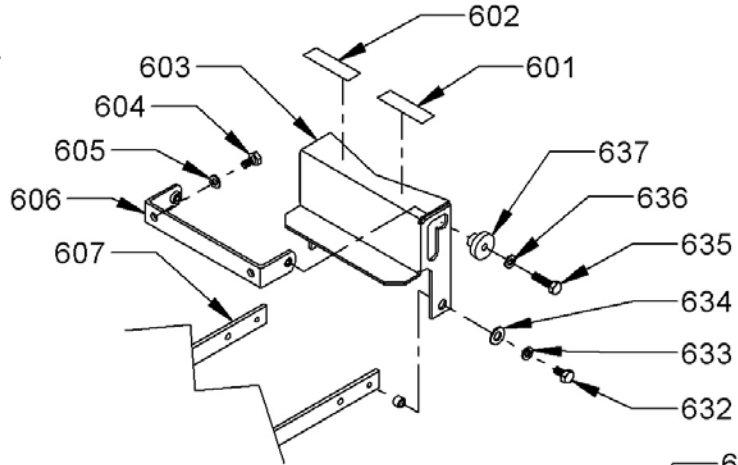


FRONT MOUNT SQUEEGEE ASSEMBLY

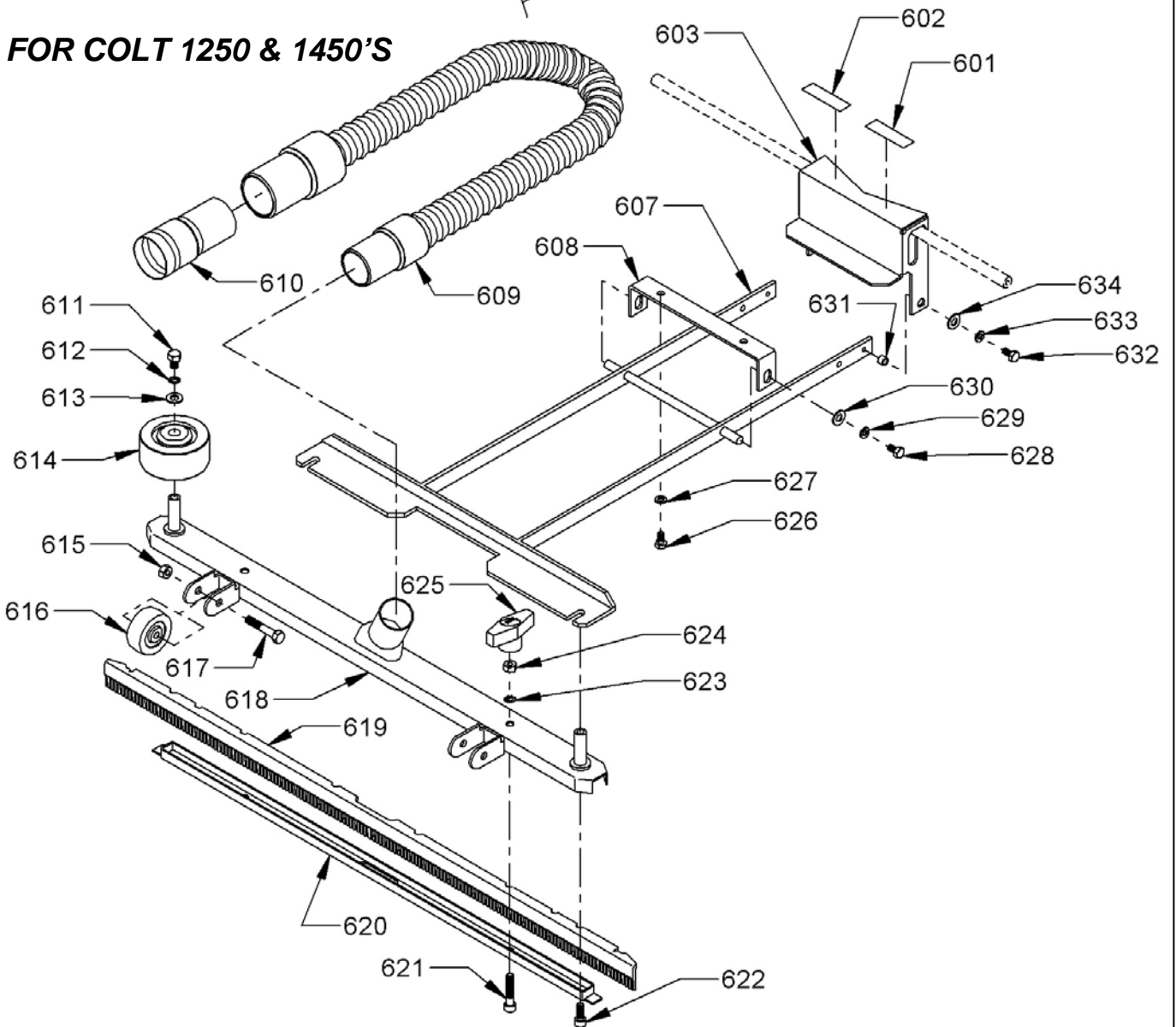
ITEM	PART NO.	DESCRIPTION	QTY
	3098259	FRONT MOUNT SQUEEGEE - INCLUDES:	1
601	0891731	LABEL - PRESS TO RAISE	1
602	0891741	LABEL - PUSH TO LOWER	1
603	0891703	FOOT PEDAL WITH LATCH	1
604	9121170	1/4-20 X 1/2 HEX BOLT - PACK OF 10	2
605	9120880	1/4 SPLIT LOCK WASHER - PACK OF 10	2
606	0891693	PIVOT REAR BRACKET	1
607	0891723	MOUNTING PLATE	1
608	0891713	LOWER PIVOT BRACKET	1
609	0891751	2 FOOT HOSE WITH CUFFS	1
610	2590801	HOSE COUPLING 1 1/2"	1
611	9121560	5/16-18 X 1/2 HEX BOLT - PACK OF 5	2
612	9121410	5/16 EXTERNAL STAR LOCK WASHER - PACK OF 10	2
613	9121390	11/32 I.D. X 11/16 O.D. X .051/.080 THICK FLAT WASHER (5/16) - PK OF 10	2
614	2790281	3" BUMPER WHEEL	2
615	9121450	5/16-18 HEX NUT WITH NYLOK INSERT - PACK OF 5	2
616	3096741	WHEEL - BUMPER - SMALL GRAY	2
617	9121760	5/16-18 X 1 3/4 HEX BOLT - PACK OF 2	2
618	2391273	OUTER CHANNEL	1
619	2393609	27" REPLACEMENT SQUEEGEE BLADES - PAIR OF 2	1
620	2391283	INNER CHANNEL	1
621	9121920	5/16-18 X 1 1/2 SOCKET HEAD CAP SCREW - PACK OF 2	2
622	9121880	5/16-18 X 3/4 SOCKET HEAD CAP SCREW - PACK OF 2	2
623	9121410	5/16 EXTERNAL STAR LOCK WASHER - PACK OF 10	2
624	9121420	5/16-18 HEX NUT - PACK OF 10	2
625	3392971	T-KNOB - SQUEEGEE	2
626	9121170	1/4-20 X 1/2 HEX BOLT - PACK OF 10	2
627	9120880	1/4 SPLIT LOCK WASHER - PACK OF 10	2
628	9121170	1/4-20 X 1/2 HEX BOLT - PACK OF 10	2
629	9120880	1/4 SPLIT LOCK WASHER - PACK OF 10	2
630	9120930	9/32 I.D. X 5/8 O.D. X .051/.080 THICK FLAT WASHER (1/4) - PACK OF 10	2
631	2791281	BUSHING SPACER	2
632	9121250	1/4-20 X 3/4 HEX BOLT - PACK OF 10	2
633	9120880	1/4 SPLIT LOCK WASHER - PACK OF 10	2
634	9120930	9/32 I.D. X 5/8 O.D. X .051/.080 THICK FLAT WASHER (1/4) - PACK OF 10	2
635	9121270	1/4-20 X 1 HEX BOLT - PACK OF 10	2
636	9120880	1/4 SPLIT LOCK WASHER - PACK OF 10	2
637	4495351	SPACER GUIDE	2
N/S	3098231	INSTRUCTIONS - FRONT MOUNT SQUEEGEE	1

FRONT MOUNT SQUEEGEE ASSEMBLY

FOR COLT 800'S

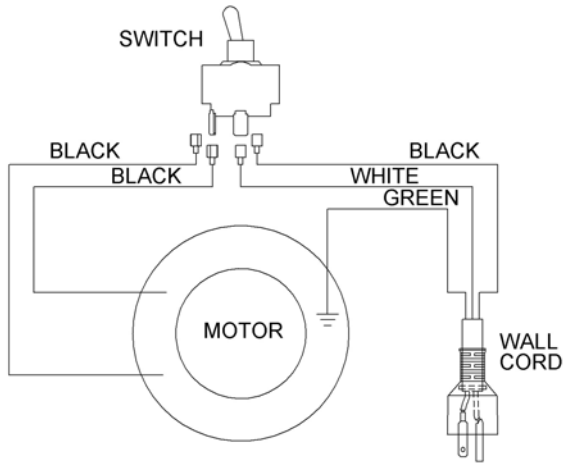


FOR COLT 1250 & 1450'S

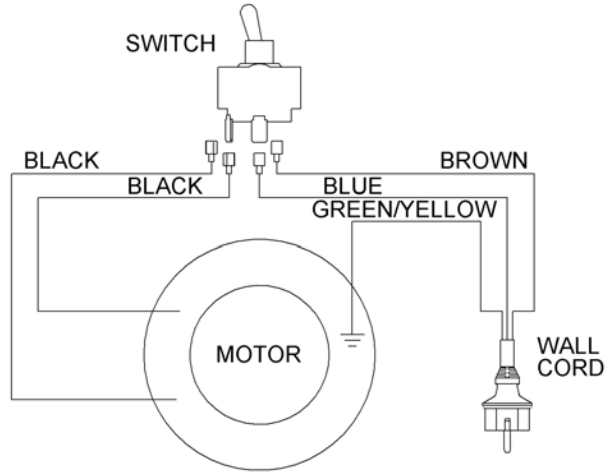


WIRING DIAGRAM

120 VOLT



240 VOLT



ACCESSORIES



PART NO.

0800802
0800824
0891959
0891909
0892199
3098309
2594011
5790469
5797011
5790241
5797031
5790111
5790291
5790301
5790311
3191469
3098329
3092179
2290209
2595101
3098259
0891939

PART DESCRIPTION

COLT POWER HEAD - 115 VOLT
COLT HEPA POWER HEAD ASSEMBLY - INCLUDES:
HEPA / MICRO FILTER ASSEMBLY - INCLUDES:
HEPA FILTER MOUNT ASSEMBLY - ITEMS 308-318 PAGE 4
MICRO FILTER AND STAND ASSEMBLY - ITEMS 319-341 PAGE 4
ALL PURPOSE WET / DRY TOOL KIT - INCLUDES:
10 FOOT SPIRAL FLEX HOSE
2 PIECE STEEL WAND
15" SQUEEGEE TOOL WITH WHEELS
16" BARE FLOOR TOOL
16" CARPET TOOL
2 1/2 ROUND BRUSH
CREVICE TOOL
9" WALL BRUSH
UTILITY NOZZLE
HI-UP EXTENSION TUBE KIT - PLASTIC (2-PIECE)
BASIC WET PICK-UP KIT - INCLUDES:
14" URETHANE SQUEEGEE TOOL
STEEL WAND
10 FOOT SUPER FLEX HOSE WITH SWIVEL CUFF
FRONT MOUNT SQUEEGEE ASSEMBLY
DYNEL FILTER BAG ASSEMBLY



NSS® Enterprises, Inc.

3115 Frenchmens Road
Toledo, Ohio 43607
PHONE (419) 531-2121
FAX (419) 531-3761
mailus@nss.com
www.nss.com