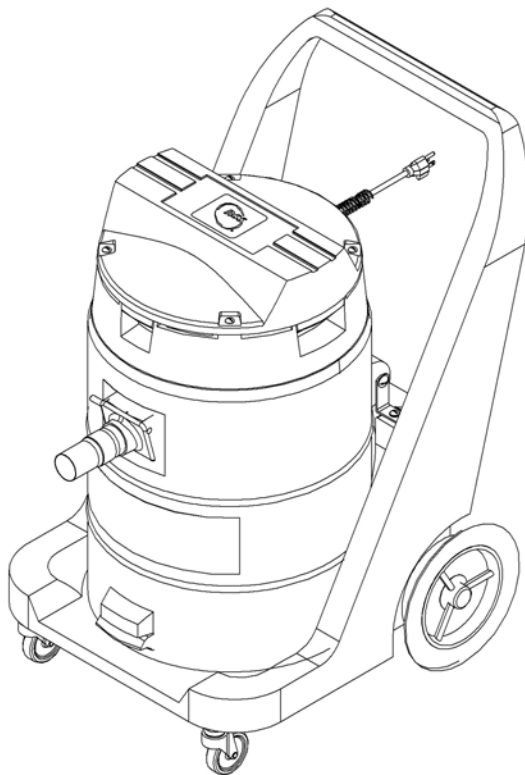
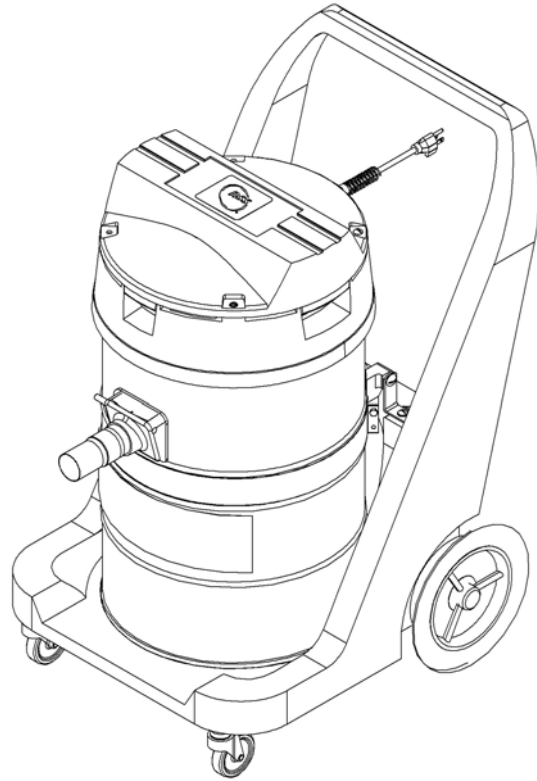


PARTS LIST

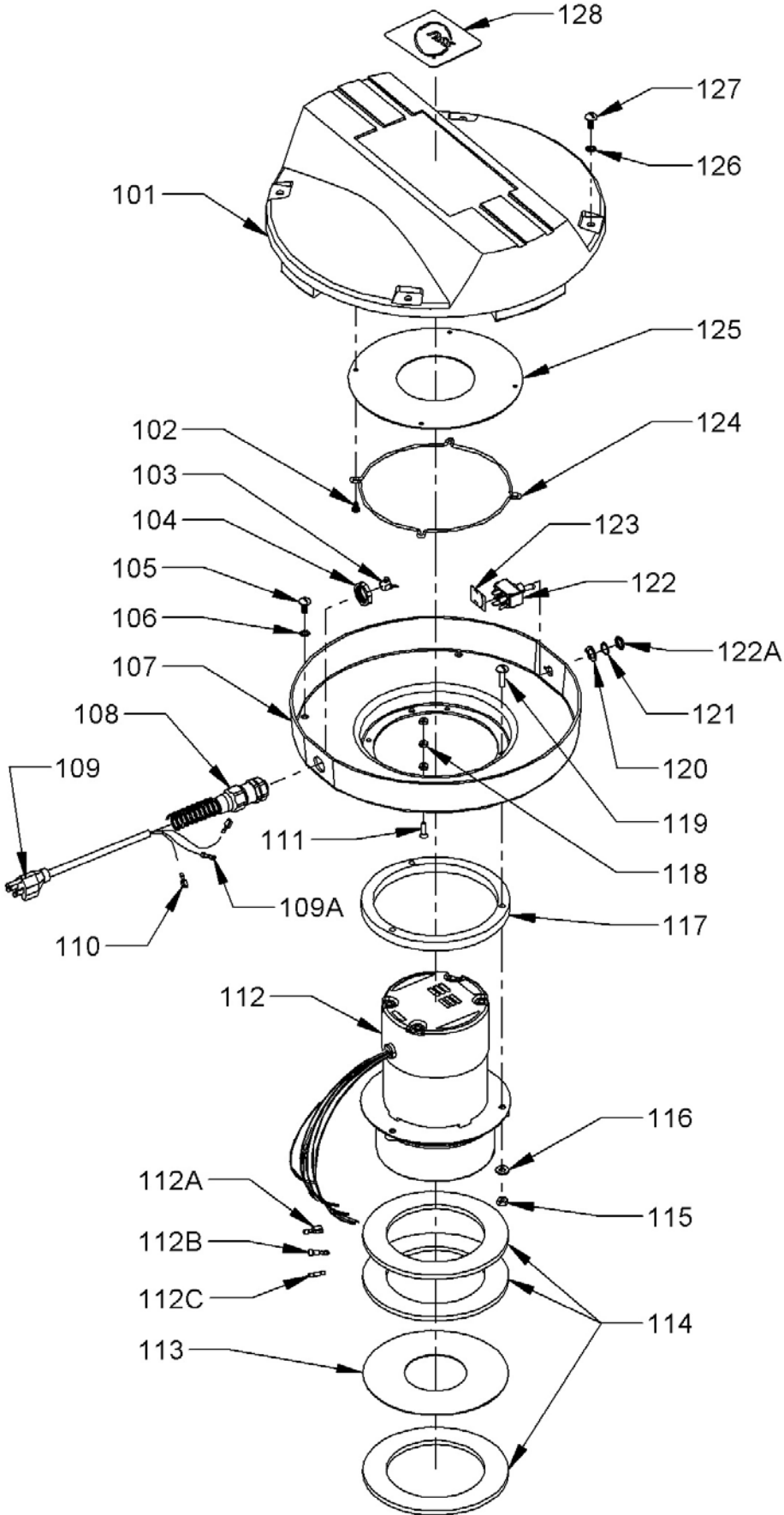
BP RANGER 1250 & 1450



MOTOR / LID ASSEMBLY

<u>ITEM</u>	<u>PART NO.</u>	<u>DESCRIPTION</u>	<u>QTY</u>
101	0891001	TOP COVER	1
102	9120790	#10 X 5/8 PAN HEAD PHILLIPS SHEET METAL SCREW - PACK OF 10	4
103	0299661	STRAIN RELIEF CORD CLAMP	1
104	0891131	STRAIN RELIEF NUT	1
105	9121040	1/4-20 X 5/8 PAN HEAD PHILLIPS MACHINE SCREW - PACK OF 5	4
106	9120970	1/4-20 EXTERNAL STAR LOCK WASHER - PACK OF 10	4
107	0891031	AIR SEPARATOR	1
108	0299531	STRAIN RELIEF	1
109	0693231	CORD - 120 VOLT - STWA - 50 FT. - INCLUDES:	1
109A	0298981	#10 RING TERMINAL 14-16 AWG	1
110	5490161	FULLY INSULATED FEMALE TERMINAL 14-16 AWG	2
111	9120400	#10-24 X 3/4 FLAT HEAD PHILLIPS MACHINE SCREW - PACK OF 10	1
112	0892709	INFIN-A-TEK VAC MOTOR - INCLUDES:	1
112A	4991361	FULLY INSULATED FEMALE TERMINAL 18-22 AWG	2
112B	0298981	#10 RING TERMINAL 14-16 AWG	2
112C	0892751	INSULATED BUTT SPLICE 22-18 AWG	2
113	0892731	VAC MOTOR LOWER GASKET DISC	1
114	0892721	VAC MOTOR LOWER GASKET	3
115	9120900	1/4-20 HEX NUT WITH NY-LOCK INSERT - PACK OF 10	3
116	9120930	9/32 I.D. X 5/8 O.D. X .051/.080 THICK - PACK OF 10	3
117	0892711	UPPER SPACER	1
118	9120360	#10-24 HEX NUT WITH STAR LOCK WASHER - PACK OF 10	3
119	9121130	1/4-20 X 1-1/2 TRUSS HEAD PHILLIPS MACHINE SCREW - PACK OF 5	3
120	4691621	SWITCH LOCK RING	1
121	9121975	1/2 INTERNAL STAR LOCK WASHER – PACK OF 5	1
122	0891141	TOGGLE SWITCH - INCLUDES:	1
122A	0798941	9/16" HEX NUT	1
123	0892141	TOGGLE SWITCH INSULATOR	1
124	0798716	SEALING RING	1
125	0798691	UPPER AIR SEAL	1
126	9120970	1/4-20 EXTERNAL STAR LOCK WASHER - PACK OF 10	4
127	9121020	1/4-20 X 1 TRUSS HEAD PHILLIPS MACHINE SCREW - PACK OF 5	4
128	0393531	NSS LOGO LABEL	1

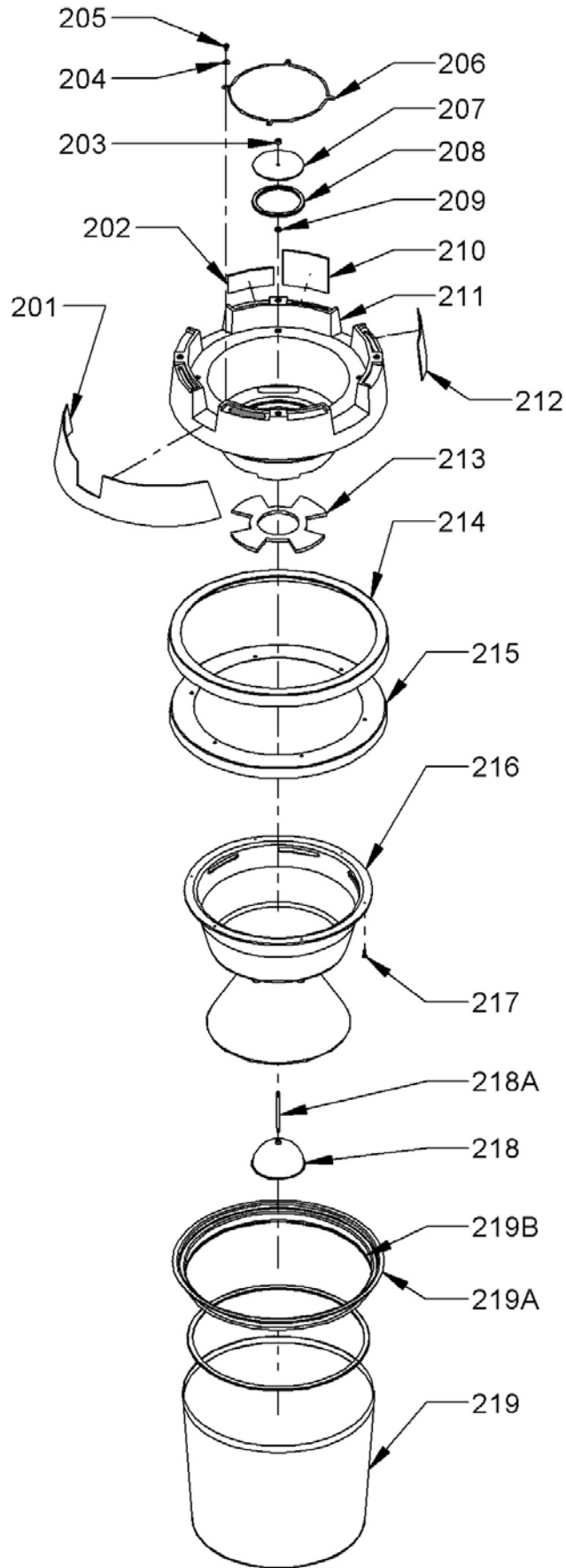
MOTOR / LID ASSEMBLY



POWER HEAD ASSEMBLY

<u>ITEM</u>	<u>PART NO.</u>	<u>DESCRIPTION</u>	<u>QTY</u>
201	0892501	FRONT LABEL - 1.4 X 21.5 ON 97° RADIUS	1
202	0892361	NAME IDENTIFIER LABEL - 1250 – ONLY	1
	0892371	NAME IDENTIFIER LABEL - 1450 – ONLY	1
203	9120350	#10-24 HEX NUT WITH NYLOK INSERT - PACK OF 10	1
204	9120370	7/32 I.D. X 1/2 O.D. X .032/.065 THICK FLAT WASHER (#10) - PACK OF 10	4
205	9120790	#10 X 5/8 PAN HEAD PHILLIPS SHEET METAL SCREW - PACK OF 10	4
206	0798716	SEALING RING	1
207	0691271	FLOAT DISC	1
208	0691261	FLOAT DISC GASKET	1
209	9120370	7/32 I.D. X 1/2 O.D. X .032/.065 THICK FLAT WASHER (#10) - PACK OF 10	1
210	0190911	GROUNDING LABEL	1
211	0891011	FLOAT SUPPORT	1
212	0190901	WARNING LABEL	1
213	0891071	FLOAT STAND GASKET	1
214	0891061	LID GASKET	1
215	0891053	LID GASKET SUPPORT	1
216	0891021	FLOAT STAND	1
217	9120790	#10 X 5/8 PAN HEAD SHEET METAL SCREW - PACK OF 10	6
218	0690319	FLOAT AND STEM ASSEMBLY - INCLUDES:	1
218	0690311	FLOAT	1
218A	0690811	FLOAT STEM	1
	0891939	DYNEL FILTER ASSEMBLY - INCLUDES:	1
219	0691911	DYNEL BAG – CLOTH	1
219A	0690341	BAG RING ONLY	1
219B	0691751	BAG GASKET	1

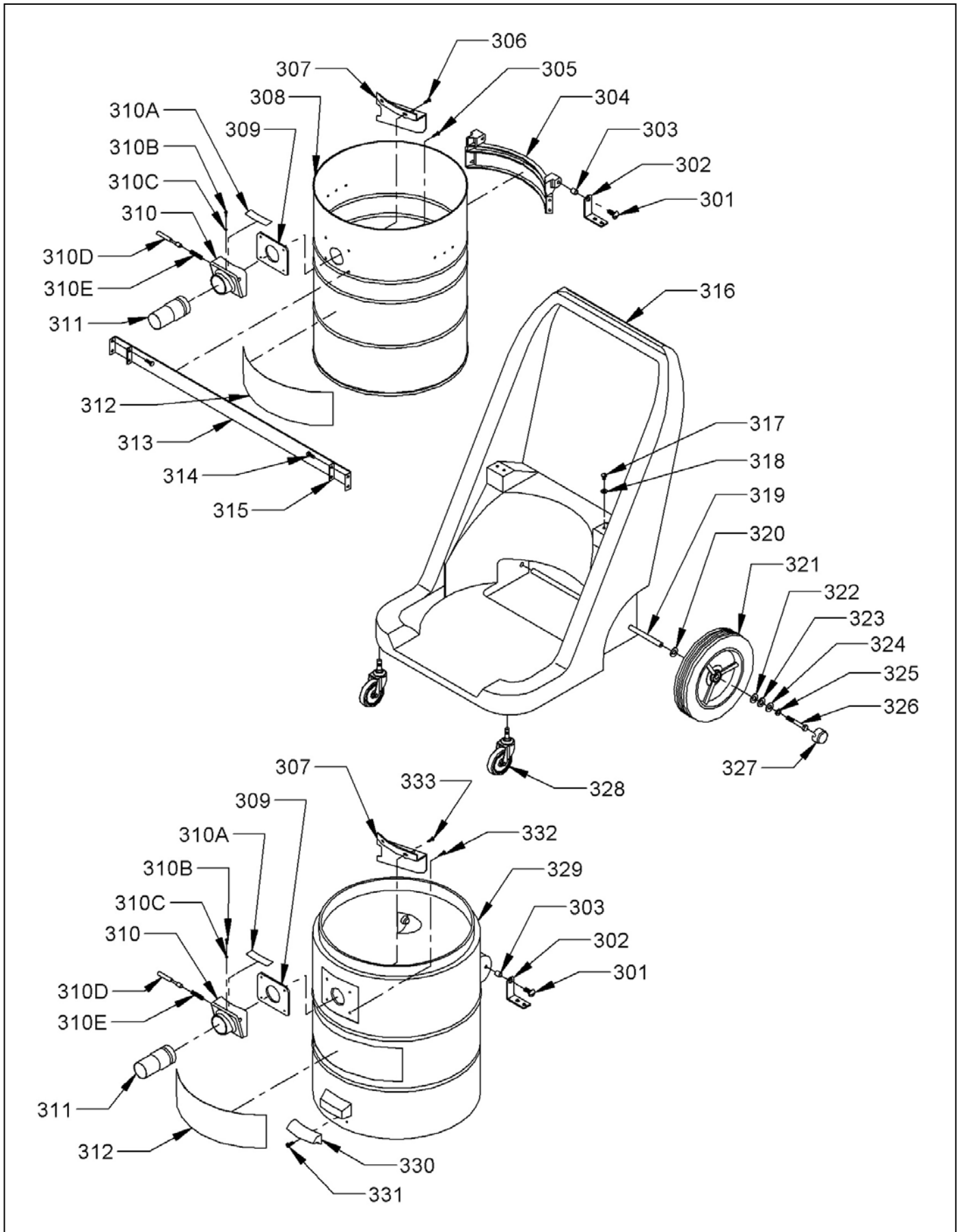
POWER HEAD ASSEMBLY



CONTAINERS WITH TIP BASES

ITEM	PART NO.	DESCRIPTION	QTY
301	9122040	3/8-16 X 1 ROUND HEAD PHILLIPS MACHINE SCREW – PACK OF 1	2
302	0891623	PIVOT BRACKET	2
303	0290971	SPACER	2
304	0690322	HINGE BRACKET - 1250 ONLY	1
305	9120610	#10-24 X 5/8 PAN HEAD THREAD CUTTING SCREW – PACK OF 10	2
306	9120620	#10-24 X 3/4 PAN HEAD THREAD CUTTING SCREW – PACK OF 10	2
307	0297101	BAFFLE – INTAKE	1
308	0690375	12.5 GALLON CAN - STAINLESS STEEL - 1250 ONLY	1
	0297029	INTAKE ASSEMBLY AND GASKET - INCLUDES:	1
309	4690531	INTAKE GASKET	1
	0297019	INTAKE ASSEMBLY - INCLUDES:	1
310	0297015	INTAKE ONLY	1
310A	0892441	BAG INSTRUCTION LABEL	1
310B	9120230	#8-32 X 1/2 PAN HEAD PHILLIPS MACHINE SCREW - PACK OF 10	1
310C	9120200	#8 SPLIT WASHER - PACK OF 10	1
310D	0299271	PLUNGER PIN	1
310E	0299261	PLUNGER SPRING	1
311	2590801	HOSE COUPLING	1
312	4792321	FRONT LABEL - 2 X 7	1
313	0690522	BAND CLAMP - 1250 ONLY	1
314	9121250	1/4-20 X 3/4 HEX BOLT – PACK OF 10 - 1250 ONLY	4
315	0690532	BAND CLAMP PLATE - 1250 ONLY	2
316	0891661	TIP BASE	1
317	9121090	1/4-20 X 1/2 TRUSS HEAD PHILLIPS MACHINE SCREW - PACK OF 5	4
318	9120970	1/4 EXTERNAL STAR LOCK WASHER - PACK OF 10	4
319	0891611	AXLE	1
320	5390811	1/2 I.D. X 1 O.D. X .07 THICK FLAT WASHER – NYLATRON	2
321	4892731	10 INCH WHITE PLASTIC WHEEL	2
322	5390811	1/2 I.D. X 1 O.D. X .07 THICK FLAT WASHER – NYLATRON	2
323	9122465	.516 I.D. X .813 O.D. X .027/.030 THICK FLAT WASHER - PACK OF 2	2
324	9120930	9/32 I.D. X 5/8 O.D. X .051/.080 THICK FLAT WASHER (1/4) - PACK OF 10	2
325	9120880	1/4 SPLIT LOCK WASHER - PACK OF 10	2
326	9121210	1/4-20 X 5/8 HEX BOLT - PACK OF 10	2
328	0290011	CASTER	2
329	0891501	14.5 GALLON CAN - 1450 ONLY	1
330	0798685	HANDLE - (1450 ONLY)	1
331	9120540	#10-24 X 1/2 FLAT HEAD PHILLIPS MACHINE SCREW - PACK 10 (1450 ONLY)	3
332	9120620	#10-24 X 3/4 PAN HEAD THREAD CUTTING SCREW – PACK OF 10	2
333	9120630	#10-24 X 7/8 PAN HEAD THREAD CUTTING SCREW – PACK OF 2	2

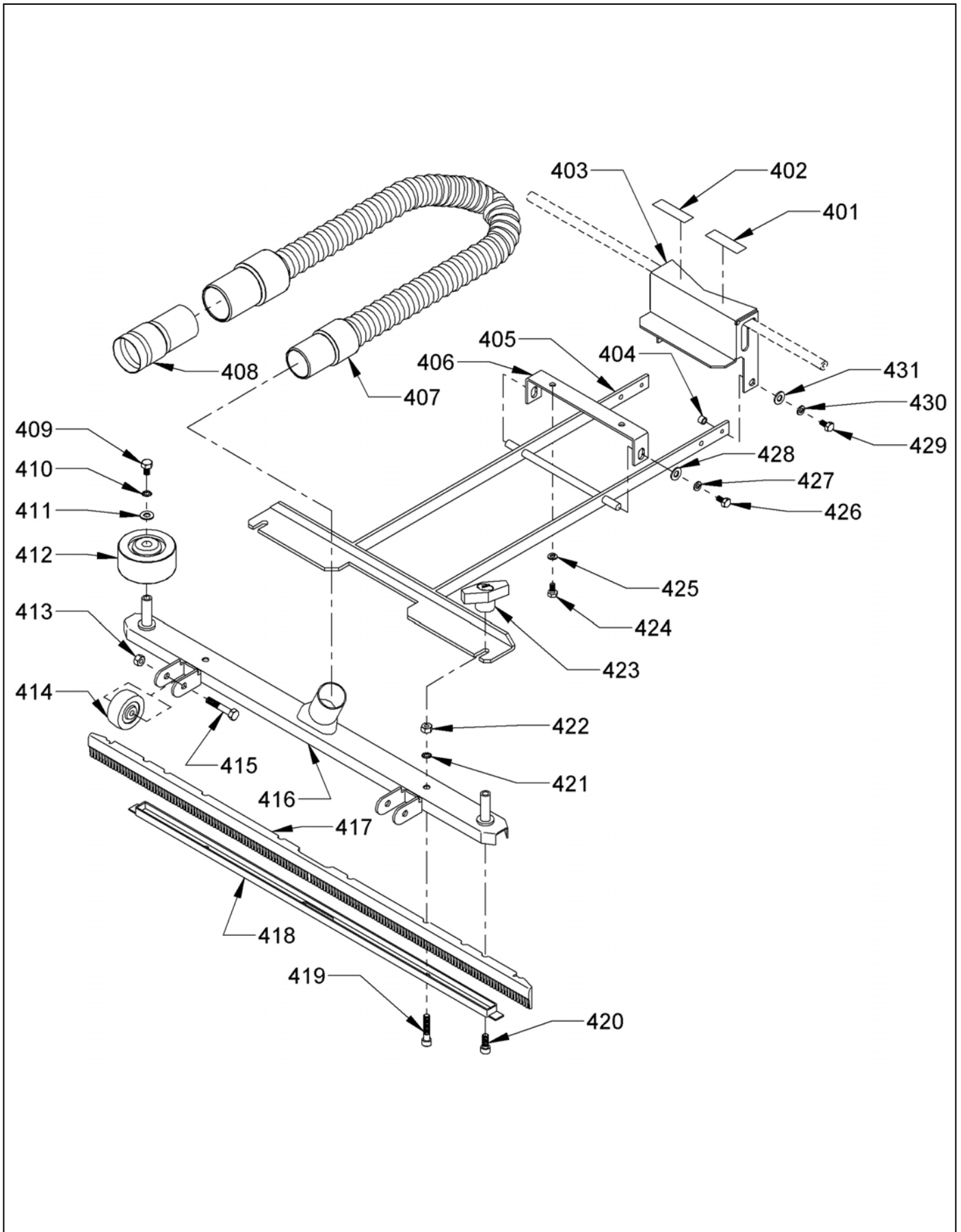
CONTAINERS WITH TIP BASES



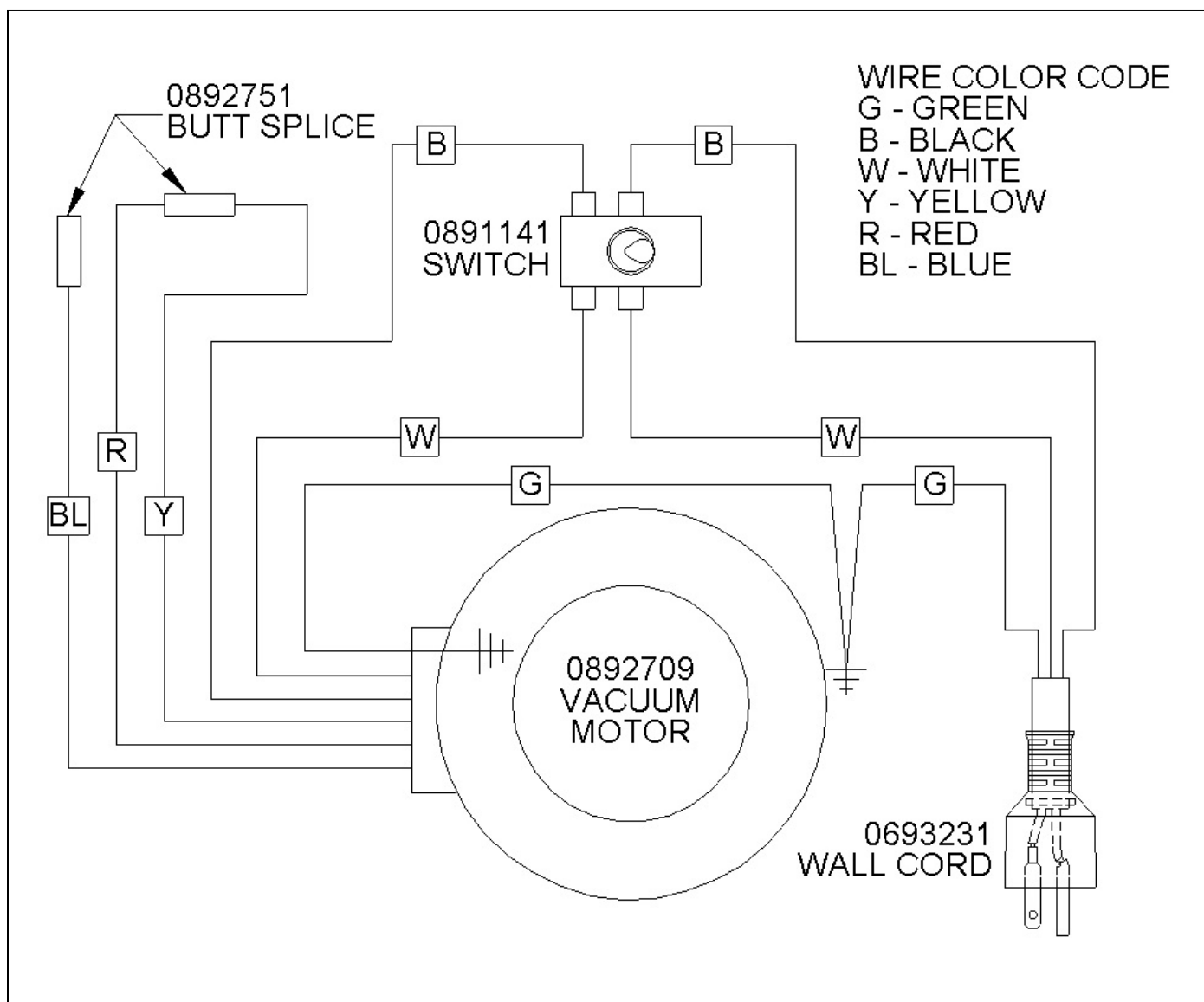
FRONT MOUNT SQUEEGEE ASSEMBLY

<u>ITEM</u>	<u>PART NO.</u>	<u>DESCRIPTION</u>	<u>QTY</u>
	3098259	FRONT MOUNT SQUEEGEE - INCLUDES:	1
401	0891731	LABEL - PRESS TO RAISE	1
402	0891741	LABEL - PUSH TO LOWER	1
403	0891703	FOOT PEDAL WITH LATCH	1
404	2791281	BUSHING SPACER	2
405	0891723	MOUNTING PLATE	1
406	0891713	LOWER PIVOT BRACKET	1
407	0891751	2 FOOT HOSE WITH CUFFS	1
408	2590801	HOSE COUPLING 1 1/2"	1
409	9121560	5/16-18 X 1/2 HEX BOLT - PACK OF 5	2
410	9121410	5/16 EXTERNAL STAR LOCK WASHER - PACK OF 10	2
411	9121390	11/32 I.D. X 11/16 O.D. X .051/.080 THICK FLAT WASHER (5/16) - PK10	2
412	2790281	3" BUMPER WHEEL	2
413	9121450	5/16-18 HEX NUT WITH NYLOK INSERT - PACK OF 5	2
414	3096741	WHEEL - BUMPER - SMALL GRAY	2
415	9121760	5/16-18 X 1-3/4 HEX BOLT - PACK OF 2	2
416	2391273	OUTER CHANNEL	1
417	2793009	32" REPLACEMENT SQUEEGEE BLADES - SET OF 2	1
418	2391283	INNER CHANNEL	1
419	9121920	5/16-18 X 1-1/2 SOCKET HEAD CAP SCREW - PACK OF 2	2
420	9121880	5/16-18 X 3/4 SOCKET HEAD CAP SCREW - PACK OF 2	2
421	9121410	5/16 EXTERNAL STAR LOCK WASHER - PACK OF 10	2
422	9121420	5/16-18 HEX NUT - PACK OF 10	2
423	3392971	T-KNOB - SQUEEGEE	2
424	9121170	1/4-20 X 1/2 HEX BOLT - PACK OF 10	2
425	9120880	1/4 SPLIT LOCK WASHER - PACK OF 10	2
426	9121170	1/4-20 X 1/2 HEX BOLT - PACK OF 10	2
427	9120880	1/4 SPLIT LOCK WASHER - PACK OF 10	2
428	9120930	9/32 I.D. X 5/8 O.D. X .051/.080 THICK FLAT WASHER (1/4) - PK 10	2
429	9121250	1/4-20 X 3/4 HEX BOLT WITH NYLON PATCH - PACK OF 10	2
430	9120880	1/4 SPLIT LOCK WASHER - PACK OF 10	2
431	9120930	9/32 I.D. X 5/8 O.D. X .051/.080 THICK FLAT WASHER (1/4) - PK 10	2

FRONT MOUNT SQUEEGEE ASSEMBLY



WIRING DIAGRAM



PART NO.	DESCRIPTION	QTY.
0299661	STRAIN RELIEF CORD CLAMP	1
0891131	STRAIN RELIEF NUT	1
0299531	STRAIN RELIEF	1
0693231	CORD - 120 VOLT - STWA - 50 FT. - INCLUDES:	1
0298981	#10 RING TERMINAL 14-16 AWG	2
5490161	FULLY INSULATED FEMALE TERMINAL 14-16 AWG	2
0892709	INFIN-A-TEK VAC MOTOR - INCLUDES:	1
4991361	FULLY INSULATED FEMALE TERMINAL 18-22 AWG	2
0298981	#10 RING TERMINAL 14-16 AWG	2
0892751	INSULATED BUTT SPLICE 22-18 AWG	2
0891141	TOGGLE SWITCH - INCLUDES:	1
0798941	9/16" HEX NUT	1
0892141	TOGGLE SWITCH INSULATOR	1

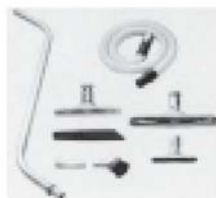
NOTES

ACCESSORIES



PART NO. PART DESCRIPTION
 1801802 BP RANGER POWERHEAD 115 VOLT

3098309 ALL PURPOSE WET / DRY TOOL KIT - INCLUDES:
 2594011 10 FOOT SPIRAL FLEX HOSE
 5790469 2 PIECE STEEL WAND
 5797011 15" SQUEEGEE TOOL WITH WHEELS
 5790241 16" BARE FLOOR TOOL
 5797031 16" CARPET TOOL
 5790111 2 1/2 ROUND BRUSH
 5790291 CREVICE TOOL
 5790301 9" WALL BRUSH
 5790311 UTILITY NOZZLE
 3191469 HI-UP EXTENSION TUBE KIT - PLASTIC (2-PIECES)



3098329 BASIC WET PICK-UP KIT - INCLUDES:
 3092179 14" URETHANE SQUEEGEE TOOL
 2290209 STEEL WAND
 2595101 10 FOOT SUPER FLEX HOSE WITH SWIVEL CUFF



3098259 FRONT MOUNT SQUEEGEE ASSEMBLY



0891939 DYNEL FILTER BAG ASSEMBLY



NSS® Enterprises, Inc.

3115 Frenchmens Road
 Toledo, Ohio 43607
 PHONE (419) 531-2121
 FAX (419) 531-3761
mailus@nss.com
www.nss.com