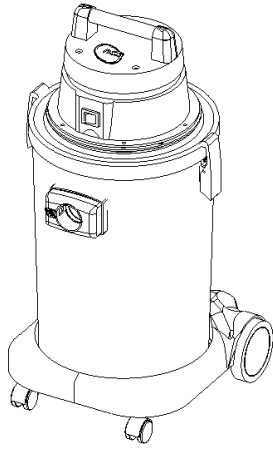
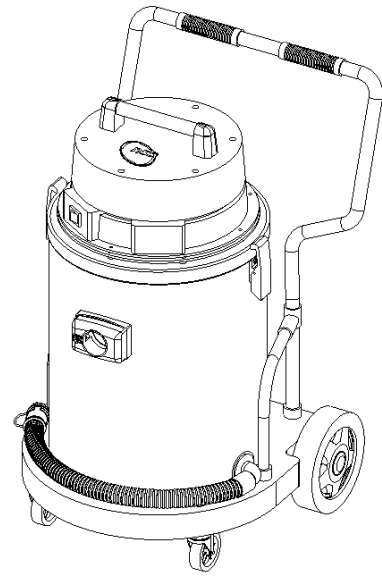


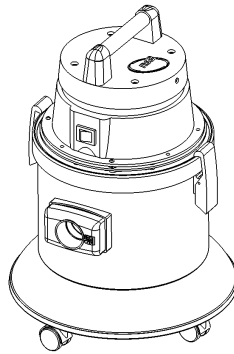
PARTS LIST
ALPHA MODELS



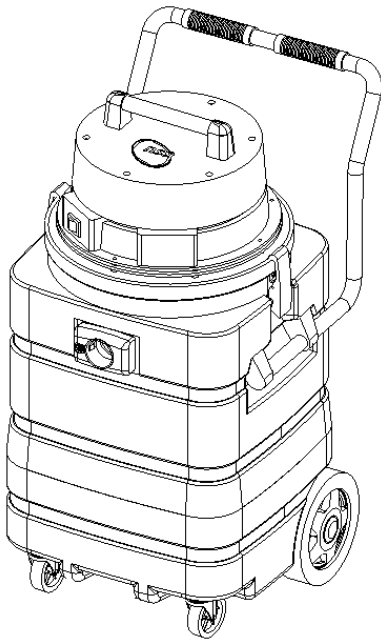
ALPHA 8



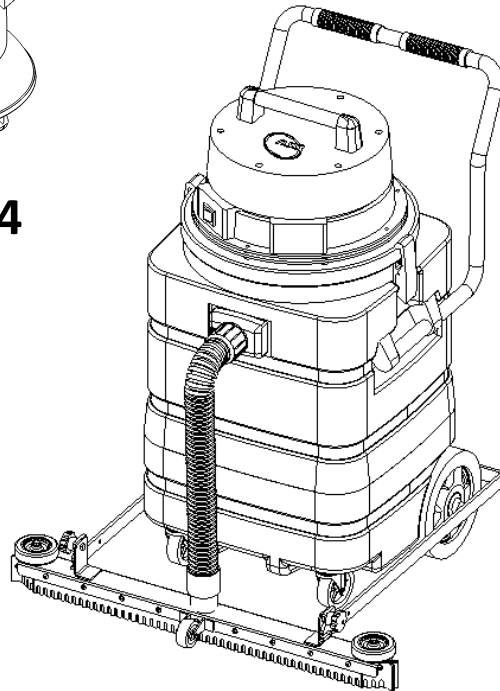
ALPHA 16



ALPHA 4



ALPHA 24



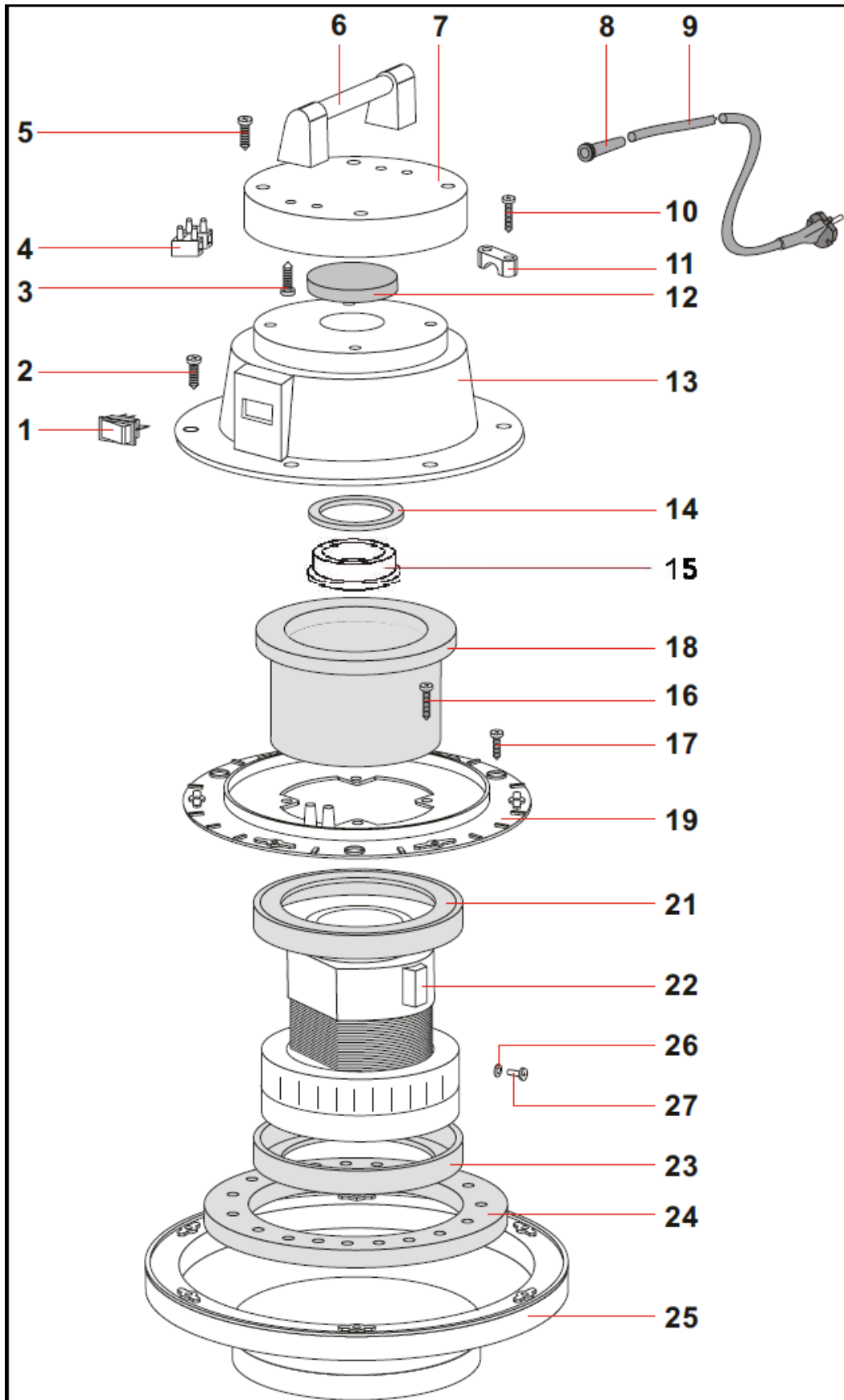
ALPHA 24 FMS



ALPHA 4 MOTOR ASSEMBLY

<u>ITEM</u>	<u>PART#</u>	<u>DESCRIPTION</u>	<u>QTY</u>
1	5791411	SWITCH	1
2	5791441	SCREW – SELF TAP M5 X 20	6
3	5791441	SCREW – SELF TAP M5 X 20	4
4	5797571	WIRE TERMINAL	1
5	5791451	SCREW – SELF TAP M5 X 30	5
6	5791481	LIFT HANDLE ASSEMBLY	1
7	5791011	TOP COVER	1
8	5791771	RUBBER STRAIN RELIEF – 120V	1
8	5791021	RUBBER STRAIN RELIEF – 240V	1
9	5794001	CORD 16-3 SJTW 50'	1
9	5793231	CORD, 240V	1
10	5791441	SCREW – SELF TAP M5 X 20	2
11	5791041	CORD CLAMP	1
12	5791731	FILTER MTP/65	1
13	5791951	LOWER COVER	1
14	5791741	WASHER H8 D85 X 65	1
15	5790261	PLASTIC RING FOR MOTOR – 240V ONLY	1
16	5791441	SCREW – SELF TAP M5 X 20	4
17	5797161	SCREW – SELF TAP M5 X 14	2
18	5791711	FOAM FILTER	1
19	5791881	MOTOR MOUNT PLATE	1
21	5791721	“L” GASKET	1
22	5797561	VAC MOTOR – 120V	1
22	5793221	VAC MOTOR – 240V	1
23	5791721	“L” GASKET	1
24	5791691	WASHER MTP – 65MM – 230 X 145	1
25	5791901	BASE – 300 WITH GASKET	1
26	5792651	EXTERNAL STAR LOCK WASHER – 120V ONLY	1
27	5792551	SCREW – M4 X 8 – 120V ONLY	1
	3491751	NAMING IDENTIFICATION LABEL	1
	3491821	NSS LOGO LABEL	1

ALPHA 4 MOTOR ASSEMBLY



ALPHA 4 FILTER ASSEMBLY

<u>ITEM</u>	<u>PART#</u>	<u>DESCRIPTION</u>	<u>QTY</u>
1	5790871	PLASTIC SLEEVE	4
2	5791641	SCREW – SELF TAP M5 X 25	4
3	5792181	FLOAT HOUSING	1
4	5792191	FLOAT	1
5	5798021	FILTER RING	1
6	5790861	POLYESTER FILTER	1
7	5790851	LOWER BASKET	1

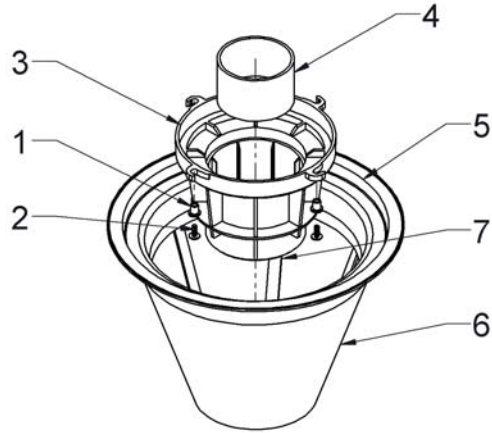
ALPHA 4 TANK ASSEMBLY

<u>ITEM</u>	<u>PART#</u>	<u>DESCRIPTION</u>	<u>QTY</u>
1	5798151	TANK – ALPHA 4	1
2	5791621	POP RIVET - 5 X 19	4
3	5792531	LID CLAMP	2
4	5791451	SCREW – SELF TAP M5 X 30	4
5	5796021	INTAKE GASKET	1
6	5796551	INTAKE SUPPORT	1
7	5793381	INTAKE DEFLECTOR	1
8	5796031	PLASTIC INTAKE COMPLETE	1

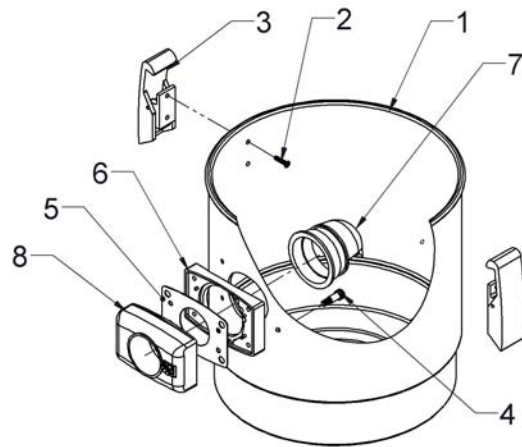
ALPHA 4 TRANSPORT ASSEMBLY

<u>ITEM</u>	<u>PART#</u>	<u>DESCRIPTION</u>	<u>QTY</u>
1	5798161	TANK BASE	1
2	5796051	HOODED CASTER	4
3	5797161	SCREW – SELF TAP M5 X 14	4

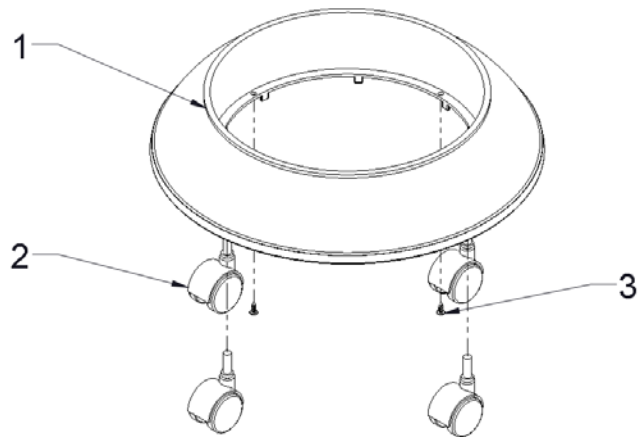
ALPHA 4 FILTER ASSEMBLY



ALPHA 4 TANK ASSEMBLY



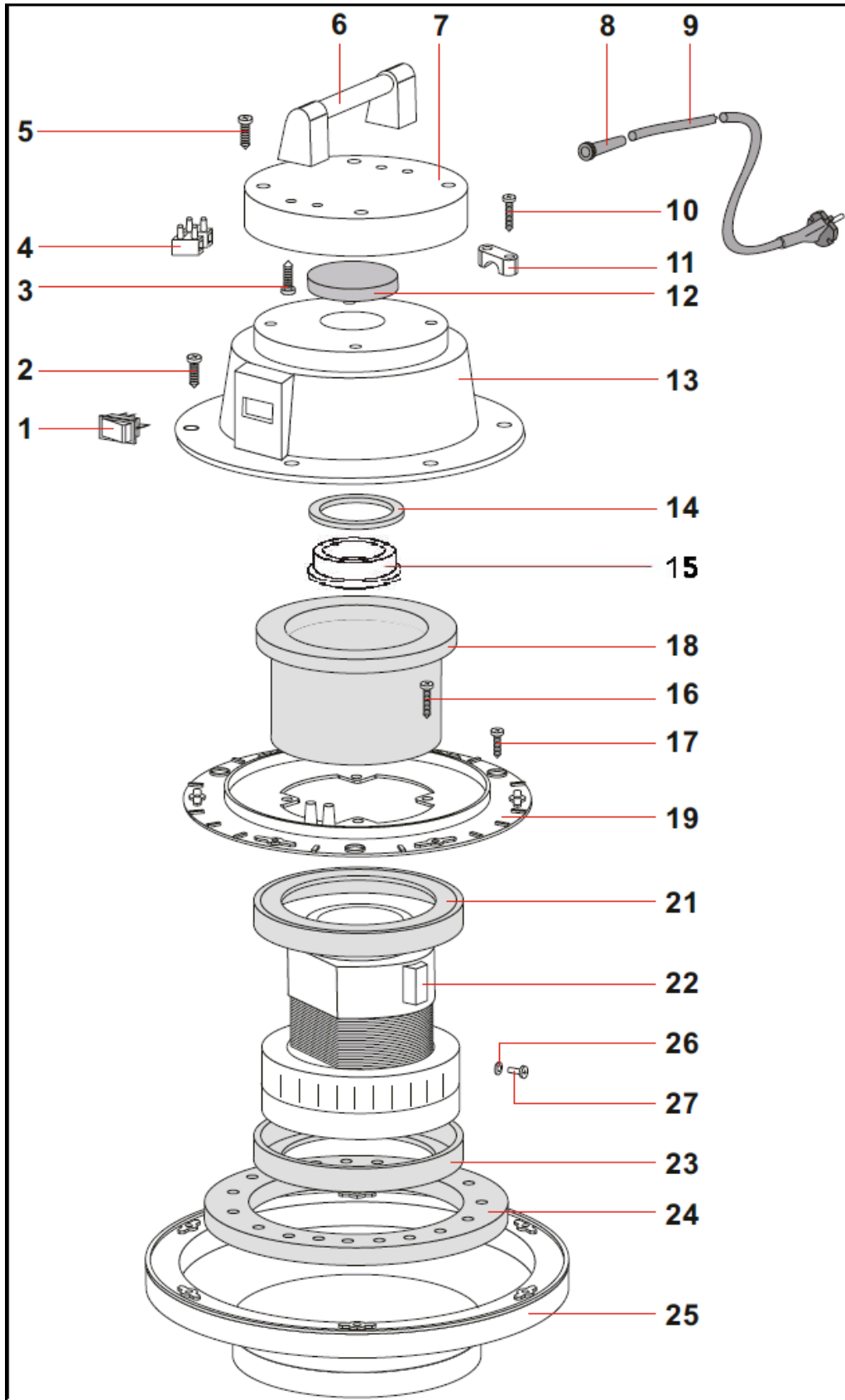
ALPHA 4 TRANSPORT ASSEMBLY



ALPHA 8 MOTOR ASSEMBLY

<u>ITEM</u>	<u>PART#</u>	<u>DESCRIPTION</u>	<u>QTY</u>
1	5791411	SWITCH	1
2	5791441	SCREW - SELF TAP 5 X 20	6
3	5791441	SCREW - SELF TAP 5 X 20	4
4	5797571	WIRE TERMINAL	1
5	5791451	SCREW - SELF TAP 5 X 30	4
6	5791481	LIFT HANDLE ASSEMBLY	1
7	5791011	TOP COVER	1
8	5791771	RUBBER STRAIN RELIEF – 120V	1
8	5791021	RUBBER STRAIN RELIEF – 240V	1
9	5794001	CORD 16-3 SJTW 50'	1
9	5793231	CORD – 240V	1
10	5791441	SCREW - SELF TAP 5 X 20	2
11	5791041	CORD CLAMP	1
12	5791731	FILTER MTP/65	1
13	5791951	LOWER COVER	1
14	5791741	WASHER H8 D85 X 65	1
15	5790261	PLASTIC RING FOR MOTOR – 240V ONLY	1
16	5791441	SCREW - SELF TAP 5 X 20	4
17	5797161	SCREW – SELF TAP M5 X 14	2
18	5791711	FOAM FILTER	1
19	5791881	MOTOR SEPARATOR	1
21	5791721	“L” GASKET	1
22	5797561	VAC MOTOR – 120V	1
22	5793221	VAC MOTOR – 240V	1
23	5791721	“L” GASKET	1
24	5791691	WASHER MTP – 65MM – 230 X 145	1
25	5791811	BASE 500 WITH GASKET	1
26	5792651	EXTERNAL STAR LOCK WASHER – 120V ONLY	1
27	5792551	SCREW - M4X8 – 120V ONLY	1
	3491761	NAMING IDENTIFICATION LABEL	1
	3491821	NSS LOGO DECAL	1

ALPHA 8 MOTOR ASSEMBLY



ALPHA 8 FILTER ASSEMBLY

<u>ITEM</u>	<u>PART#</u>	<u>DESCRIPTION</u>	<u>QTY</u>
1	5790871	PLASTIC SLEEVE	4
2	5791641	SCREW – SELF TAP M5 X 25	4
3	5797581	FLOAT CAGE	1
4	5792191	FLOAT	1
5	5791201	FILTER RING	1
6	5792201	POLYESTER FILTER	1
7	5790841	LOWER BASKET	1

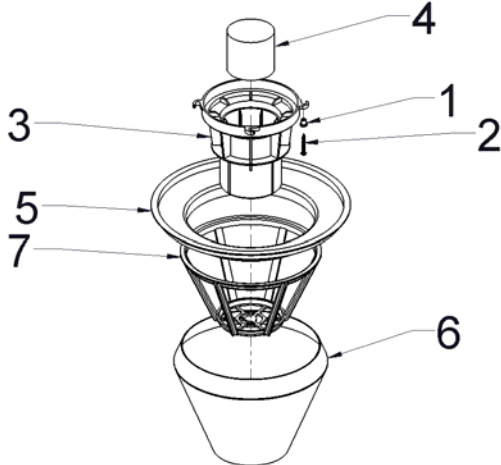
ALPHA 8 TANK ASSEMBLY

<u>ITEM</u>	<u>PART#</u>	<u>DESCRIPTION</u>	<u>QTY</u>
1	5796031	PLASTIC INTAKE COMPLETE	1
2	5796021	INTAKE GASKET	1
3	5793381	INTAKE DEFLECTOR	1
4	5796551	INTAKE SUPPORT	1
5	5797591	TANK - ALPHA 8	1
6	5791451	SCREW - SELF TAP 5 X 30	4
7	5791621	POP RIVET – 5 X 19	4
8	5792531	LID CLAMP	2

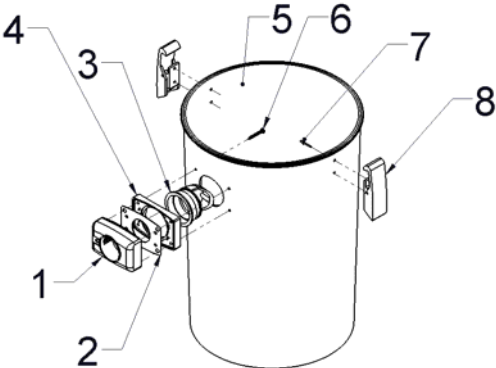
ALPHA 8 TRANSPORT ASSEMBLY

<u>ITEM</u>	<u>PART#</u>	<u>DESCRIPTION</u>	<u>QTY</u>
1	5797601	TRANSPORT FRAME	1
2	5796051	HOODED CASTER	2
3	5797161	SCREW – M5 X 14	4
4	5797611	BACK WHEEL	2
5	5797621	WHEEL CAP	2

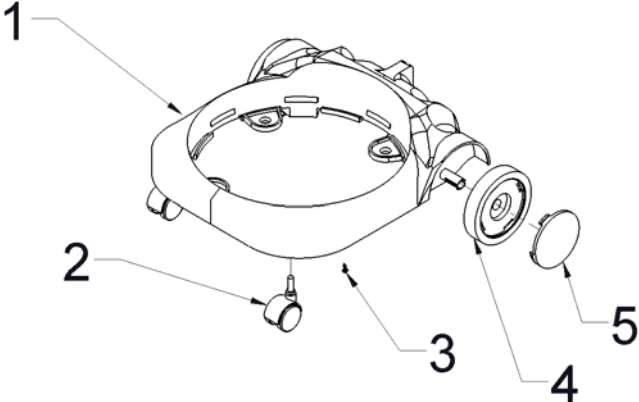
ALPHA 8 FILTER ASSEMBLY



ALPHA 8 TANK ASSEMBLY



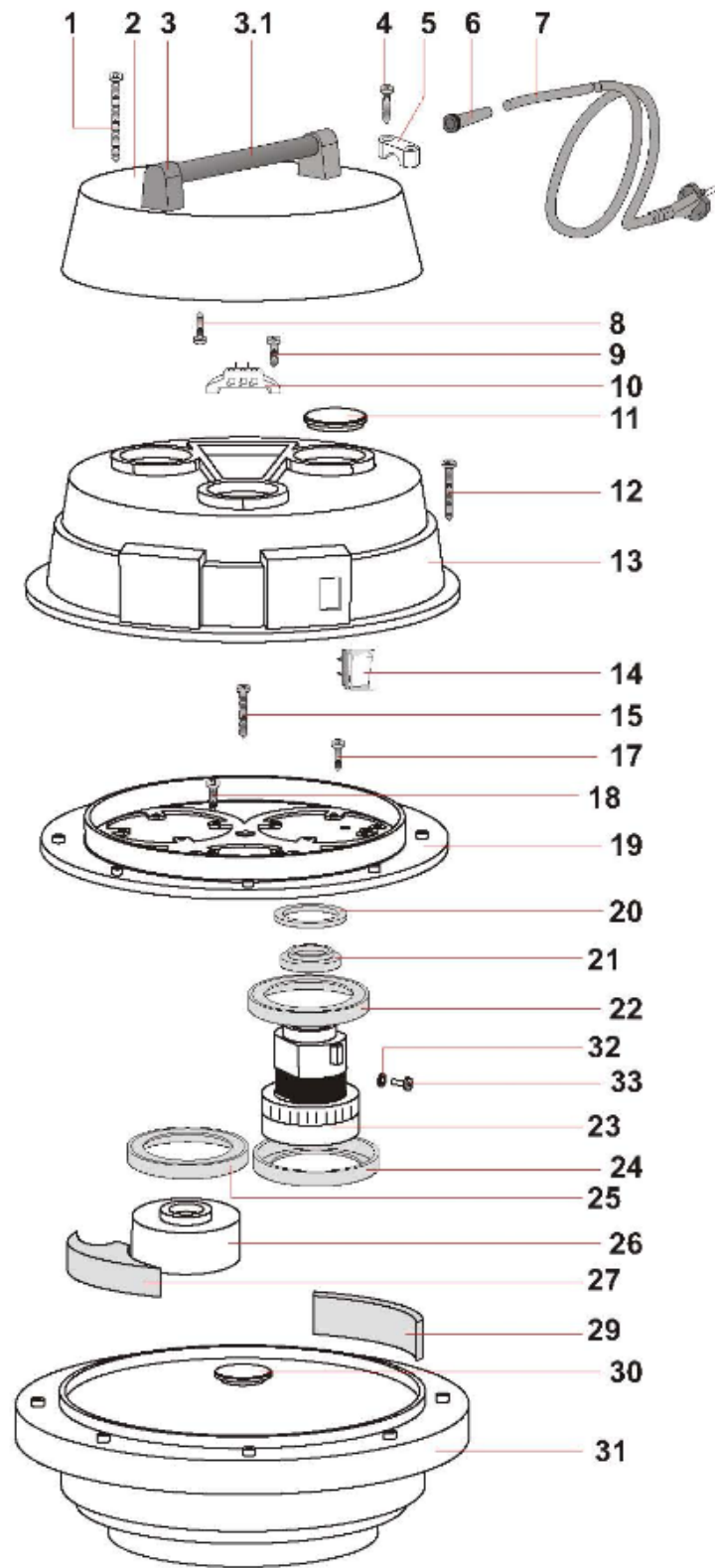
ALPHA 8 TRANSPORT ASSEMBLY



ALPHA 16 MOTOR ASSEMBLY

<u>ITEM</u>	<u>PART#</u>	<u>DESCRIPTION</u>	<u>QTY</u>
1	5792461	SCREW – SELF TAP 5.2 X 50	6
2	5790531	TOP MOTOR COVER	1
3	5791461	TRANSPORT HANDLE BRACKET	1
3.1	5792471	HANDLE TUBE	1
4	5791441	SCREW – SELF TAP 5 X 20	2
5	5791041	CORD CLAMP	1
6	5791021	RUBBER STRAIN RELIEF – 120V	1
6	5791021	RUBBER STRAIN RELIEF – 240V	
7	5794001	CORD 16-3 SJTW 50'	1
7	5793231	CORD – 240V	1
8	5791441	SCREW – SELF TAP 5 X 20	4
9	5797161	SCREW – SELF TAP M5 X 15	2
10	5797541	WIRE TERMINAL	1
11	5791861	COVERING CUP ANTIFLAME	2
12	5792631	SCREW – SELF TAP 5 X 35	8
13	5797551	MOTOR COVER	1
14	5791411	SWITCH	1
15	5791451	SCREW - SELF TAP 5 X 30	1
17	5792611	SCREW – SELF TAP 5 X 25	4
18	5792611	SCREW – SELF TAP 5 X 25	8
19	5791791	MOTOR SEPARATOR	1
20	5791741	WASHER H8 D85 X 65	1
21	5790261	PLASTIC RING FOR MOTOR	1
22	5791721	L GASKET	1
23	5797561	VAC MOTOR – 120V	1
23	5793221	VAC MOTOR – 240V	1
24	5791721	L GASKET	1
25	5791721	L GASKET	2
26	5791871	CAP	2
27	5792311	UPPER TRIANGULAR SPACER	3
29	5790901	GASKET – 50 X 10 X 125	3
30	5791611	BASE CUP	2
31	5790651	LID – 400	1
32	5792651	EXTERNAL STAR LOCK WASHER – 120V ONLY	1
33	5792551	SCREW – M4 X 8 – 120V ONLY	1
	3491771	NAMING IDENTIFICATION LABEL	1
	3491811	NSS LOGO DECAL	1

ALPHA 16 MOTOR ASSEMBLY



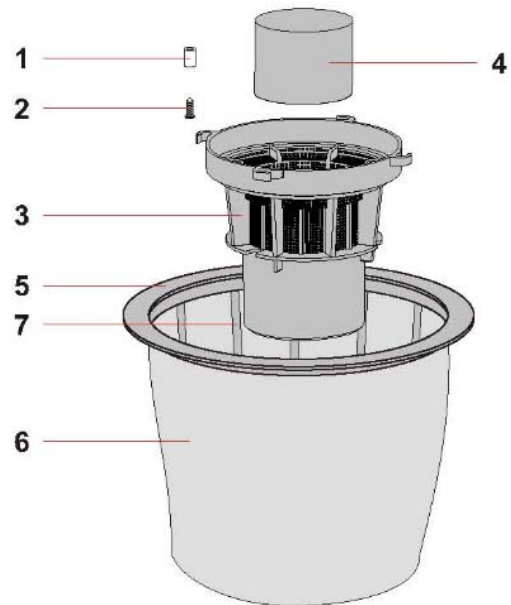
ALPHA 16 FILTER ASSEMBLY

<u>ITEM</u>	<u>PART#</u>	<u>DESCRIPTION</u>	<u>QTY</u>
1	5790871	PLASTIC SLEEVE	4
2	5791641	SCREW – SELF TAP M5 X 25	4
3	5797581	FLOAT CAGE	1
4	5792191	FLOAT	1
5	5790281	UPPER FILTER RING	1
6	5790611	POLYESTER FILTER	1
7	5790601	LOWER BASKET	1

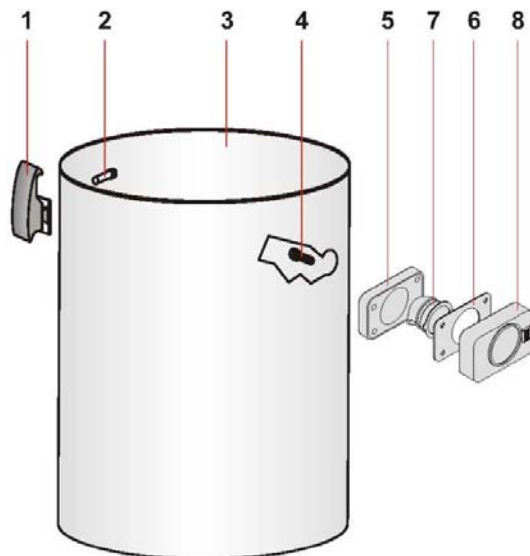
ALPHA 16 TANK ASSEMBLY

<u>ITEM</u>	<u>PART#</u>	<u>DESCRIPTION</u>	<u>QTY</u>
1	5792531	LID CLAMP	2
2	5791621	POP RIVET – 5 X 19	4
3	5797631	TANK - ALPHA 16	1
4	5791451	SCREW – SELF TAP 5 X 30	4
5	5796551	INTAKE SUPPORT	1
6	5791251	INTAKE GASKET	1
7	5793381	INTAKE DEFLECTOR	1
8	5796031	PLASTIC INTAKE COMPLETE	1

ALPHA 16 FILTER ASSEMBLY



ALPHA 16 TANK ASSEMBLY



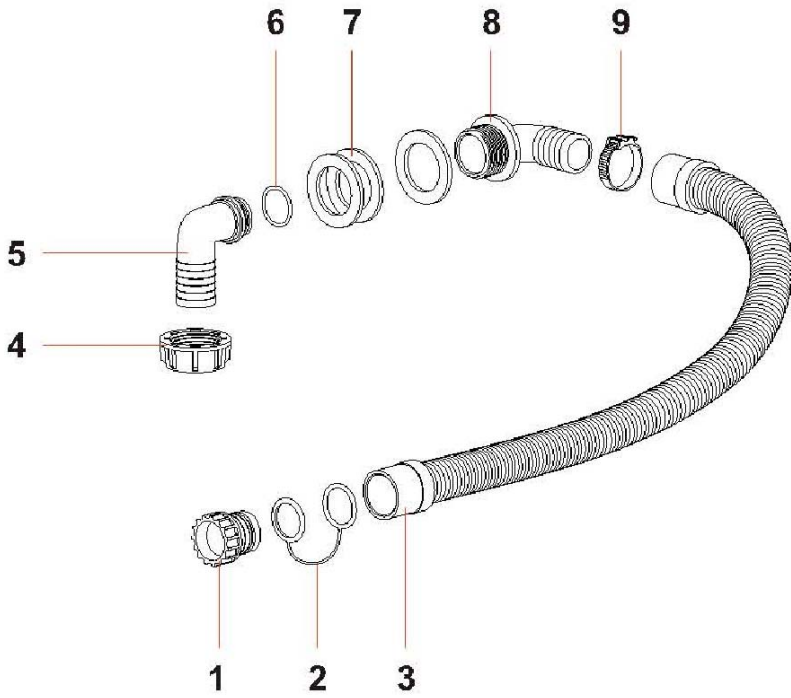
ALPHA 16 DRAIN HOSE ASSEMBLY

<u>ITEM</u>	<u>PART#</u>	<u>DESCRIPTION</u>	<u>QTY</u>
1	5796431	DRAIN HOSE PLUG	1
2	5796421	PLUG HOLDING STRAP	1
3	5796391	DRAIN HOSE	1
4	5797641	DRAIN HOSE CONNECTOR RING	1
5	5797651	DRAIN HOSE BARB	1
6	5797661	WASHER	1
7	5796371	DRAIN SEAL GASKET	3
8	5797671	DRAIN HOSE ELBOW	1
9	5796401	HOSE CLAMP	1

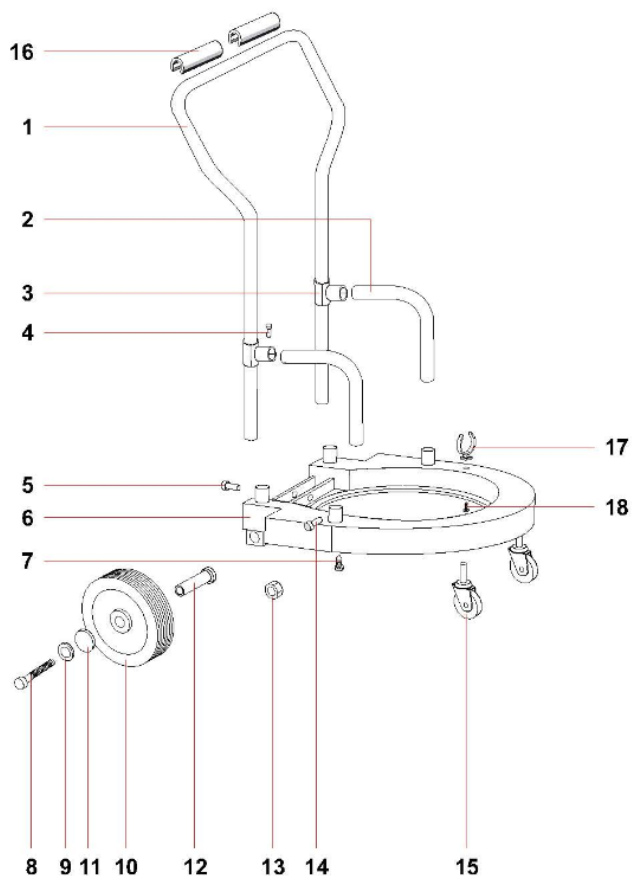
ALPHA 16 TRANSPORT ASSEMBLY

<u>ITEM</u>	<u>PART#</u>	<u>DESCRIPTION</u>	<u>QTY</u>
1	5797691	HANDLE	1
2	5797701	HANDLE SUPPORT	2
3	5797711	"T" TUBE	2
4	5791621	POP RIVET, 5 X 19	2
5	5791621	POP RIVET, 5 X 19	2
6	5797721	TRANSPORT BASE	1
7	5797161	SCREW – SELF TAP M5 X 14	6
8	5797731	WHEEL BOLT	2
9	5792841	WASHER - M12	2
10	5796311	REAR WHEEL	2
11	5791681	WHEEL CAP	2
12	5797741	WHEEL SPACER	2
13	5797751	SPACING WASHER	2
14	5791621	POP RIVET, 5 X 19	2
15	5797761	CASTER	2
16	5791761	HANDLE GRIPS	2
17	5796411	HOSE CLAMP	1
18	5797161	SCREW – SELF TAP M5 X 14	1

ALPHA 16 DRAIN HOSE ASSEMBLY



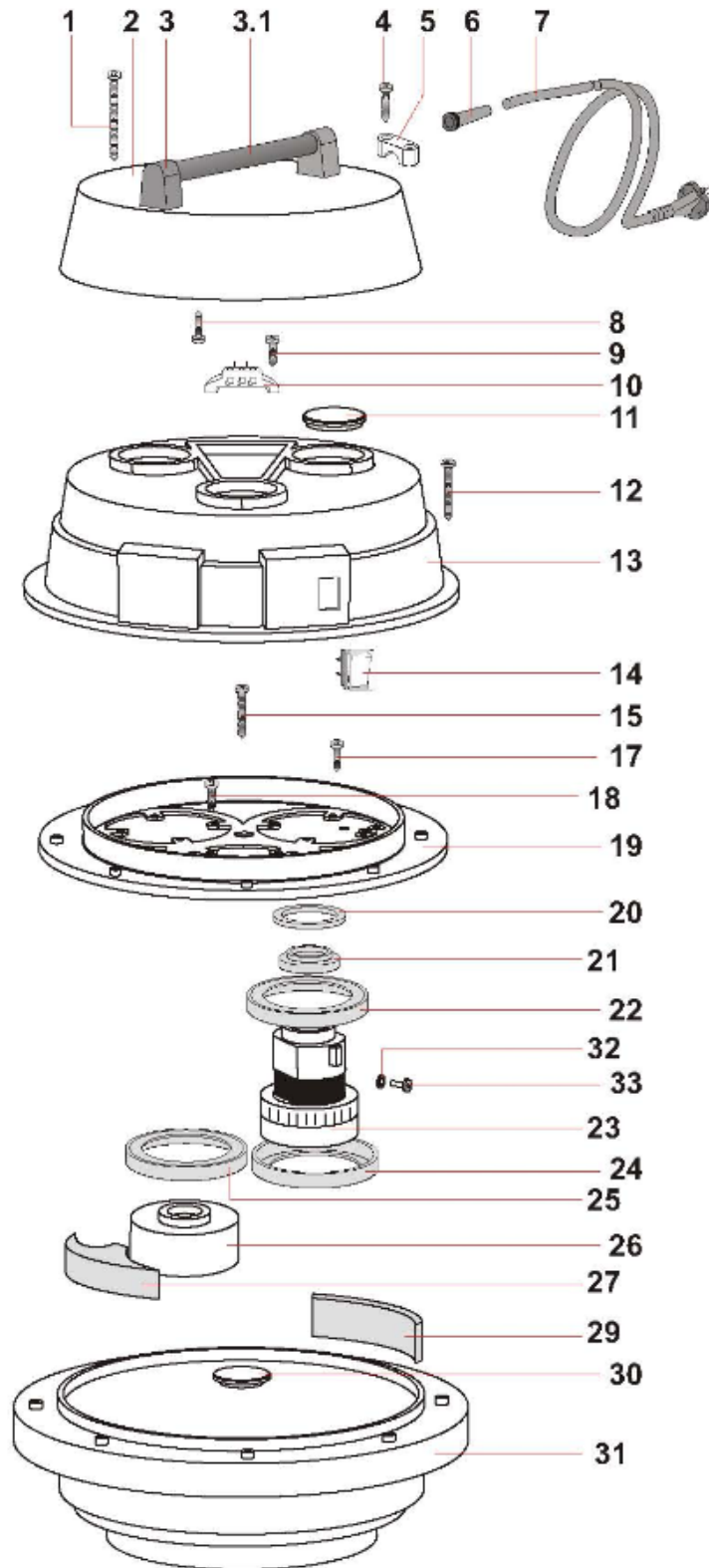
ALPHA 16 TRANSPORT ASSEMBLY



ALPHA 24 MOTOR ASSEMBLY

<u>ITEM</u>	<u>PART#</u>	<u>DESCRIPTION</u>	<u>QTY</u>
1	5792461	SCREW – SELF TAP M5.2 X 50	6
2	5790531	TOP MOTOR COVER	1
3	5791461	TRANSPORT HANDLE BRACKET	1
3.1	5792471	HANDLE TUBE	1
4	5791441	SCREW – SELF TAP M5 X 20	2
5	5791041	CORD CLAMP	1
6	5791771	RUBBER STRAIN RELIEF – 120V	1
6	5791021	RUBBER STRAIN RELIEF – 240V	
7	5794001	POWER CORD – 120V	1
7	5793231	POWER CORD – 240V	1
8	5791441	SCREW – SELF TAP M5 X 20	4
9	5797161	SCREW – SELF TAP M5 X 14	2
10	5797541	WIRE TERMINAL	1
11	5791861	COVERING CUP	2
12	5792631	SCREW – SELF TAP M5 X 35	8
13	5797551	LOWER MOTOR COVER	1
14	5791411	SWITCH – UD	1
15	5791451	SCREW – SELF TAP M5 X 30	1
17	5792611	SCREW – SELF TAP M5 X 25	4
18	5792611	SCREW – SELF TAP M5 X 25	8
19	5791791	MOTOR SEPARATOR	1
20	5791741	WASHER H8 D85 X 65	1
21	5790261	PLASTIC RING FOR MOTOR – 240V ONLY	1
22	5791721	“L” GASKET	1
23	5797561	VAC MOTOR – 120V	1
23	5793221	VAC MOTOR – 240V	1
24	5791721	“L” GASKET	1
25	5791721	“L” GASKET	2
26	5791871	CAP	2
27	5792311	UPPER TRIANGULAR SPACER	3
29	5790901	GASKET – 50 X 10 X 125	3
30	5791611	BASE CUP	2
31	5790651	LID	1
32	5792651	EXTERNAL STAR WASHER – 120V ONLY	1
33	5792551	SCREW – M4 X 8 UNI 7989 – 120V ONLY	1
	3491781	NAMING IDENTIFICATION LABEL	1
	3491811	NSS LOGO LABEL	1

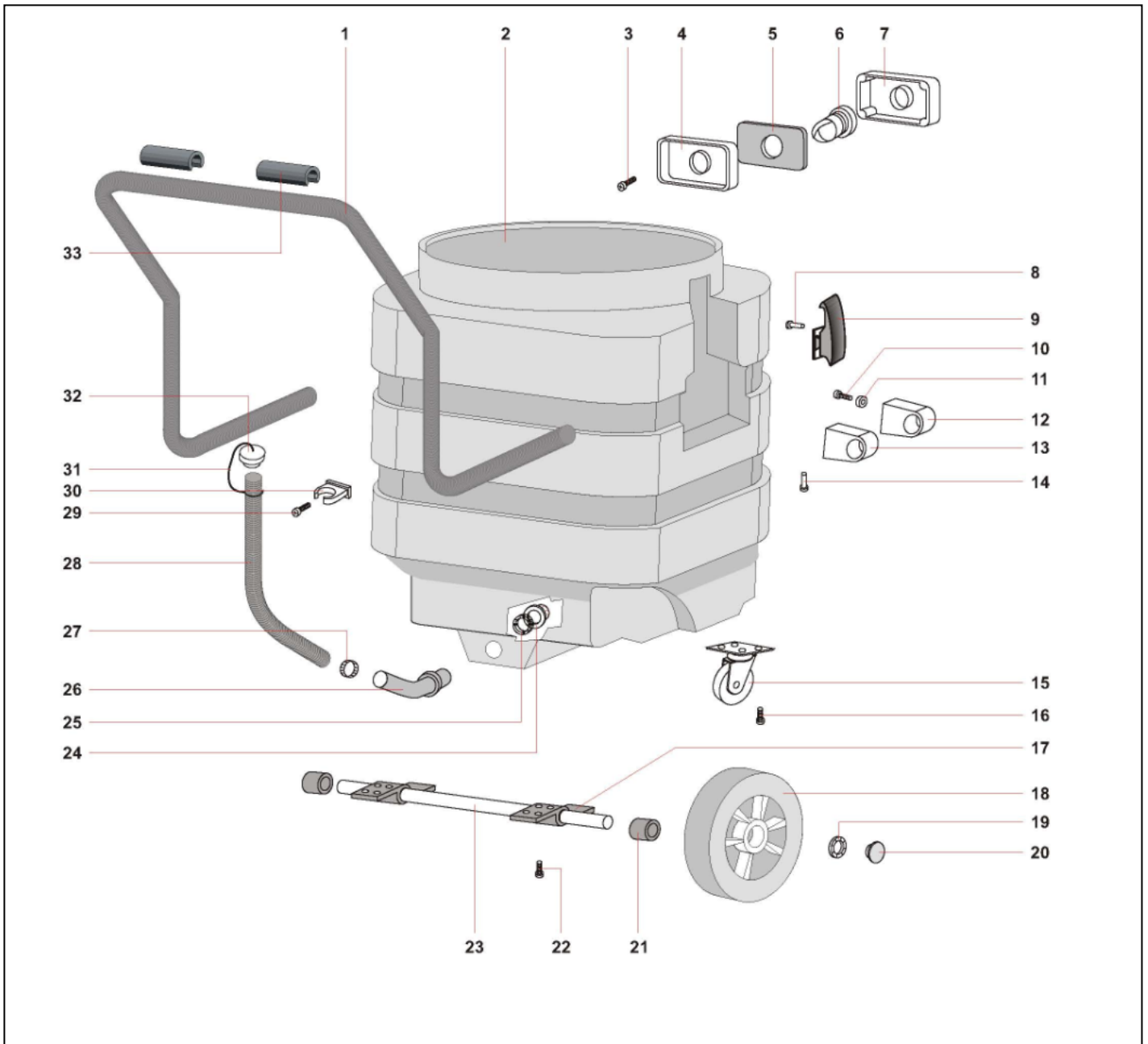
ALPHA 24 MOTOR ASSEMBLY



ALPHA 24 TANK ASSEMBLY

<u>ITEM</u>	<u>PART#</u>	<u>DESCRIPTION</u>	<u>QTY</u>
1	5796251	TRANSPORT HANDLE	1
2	5796261	TANK	1
3	5791451	SCREW – SELF TAP M5 X 30	4
4	5796281	INTAKE SUPPORT	1
5	5791251	INTAKE GASKET	1
6	5793381	INTAKE DEFLECTOR	1
7	5796031	PLASTIC INTAKE COMPLETE	1
8	5792671	LID CLAMP RIVET	4
9	5792531	LID CLAMP	2
10	5792631	SCREW – SELF TAP M5 X 35	8
11	5792661	PLASTIC WASHER	8
12	5791461	HANDLE BRACKET	2
13	5796291	PASSING HANDLE BRACKET	2
14	5791621	POP RIVET – 5 X 19	2
15	5796301	PLASTIC CASTER	2
16	5792581	SCREW – SELF TAP 4 X 15	8
17	5796331	TANK SUPPORT BRACKET	2
18	5796311	REAR WHEEL	2
19	5796351	SNAP RING	2
20	5791681	WHEEL CAP	2
21	5796341	WHEEL SPACER	2
22	5791441	SCREW – SELF TAP M5 X 20	8
23	5796321	WHEEL AXLE	1
24	5796381	DRAIN HOSE CONNECTOR	1
25	5796371	DRAIN SEAL GASKET	1
26	5796361	DRAIN HOSE BARB	1
27	5796401	HOSE CLAMP	1
28	5796391	DRAIN HOSE	1
29	5798141	SCREW – SELF TAP M5 X 20	1
30	5796411	HOSE CLAMP MOUNT RING	1
31	5796421	PLUG HOLDING STRAP	1
32	5796431	DRAIN HOSE PLUG	1
33	5791761	HANDLE GRIPS	2

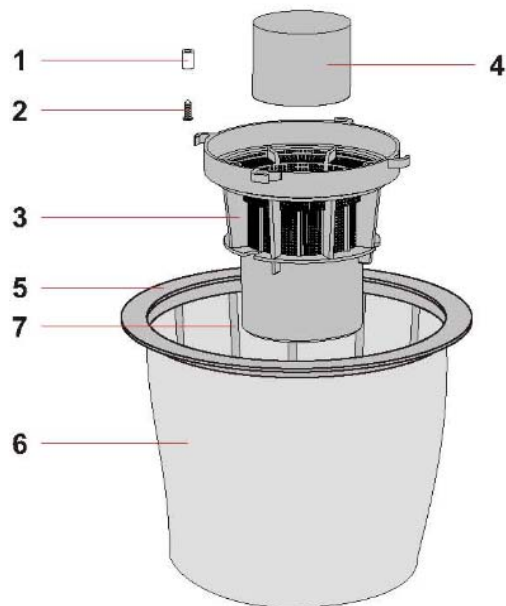
ALPHA 24 TANK ASSEMBLY



ALPHA 24 FILTER ASSEMBLY

<u>ITEM</u>	<u>PART#</u>	<u>DESCRIPTION</u>	<u>QTY</u>
1	5790871	SLEEVE	4
2	5791641	SCREW – SELF TAP M5 X 25	4
3	5797581	FLOAT CAGE	1
4	5792191	FLOAT	1
5	5790281	UPPER FILTER RING	1
6	5790611	POLYESTER FILTER	1
7	5790601	LOWER BASKET	1

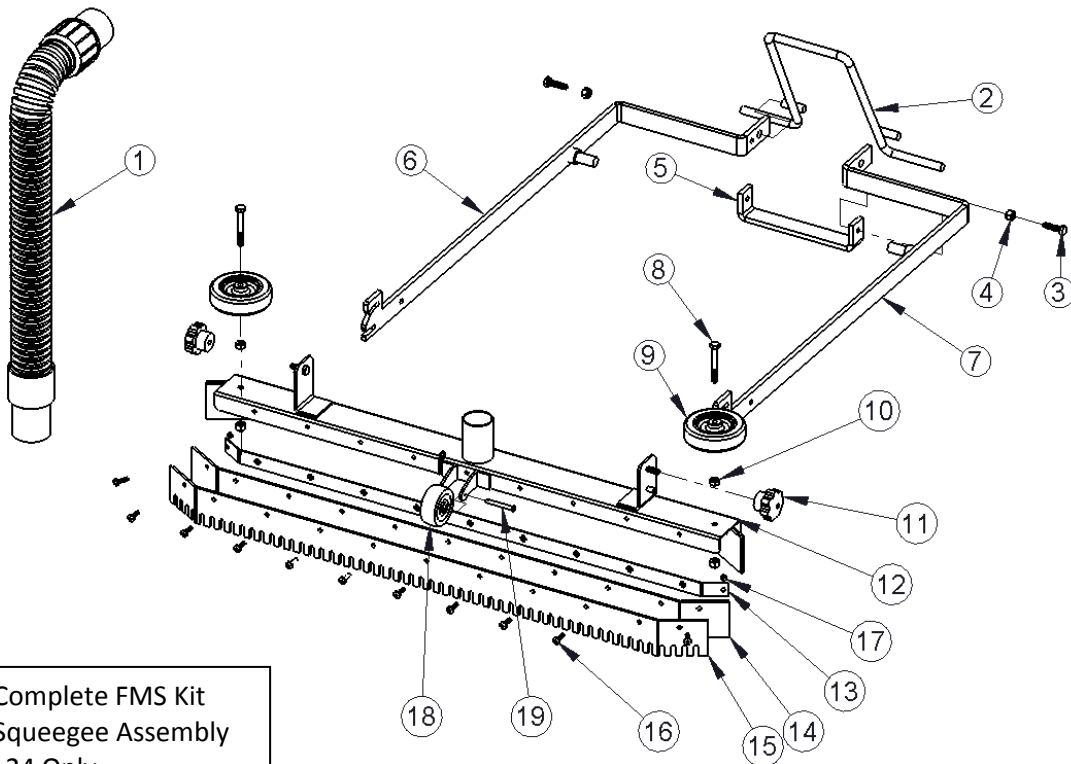
ALPHA 24 FILTER ASSEMBLY



ALPHA 24 SQUEEGEE ASSEMBLY

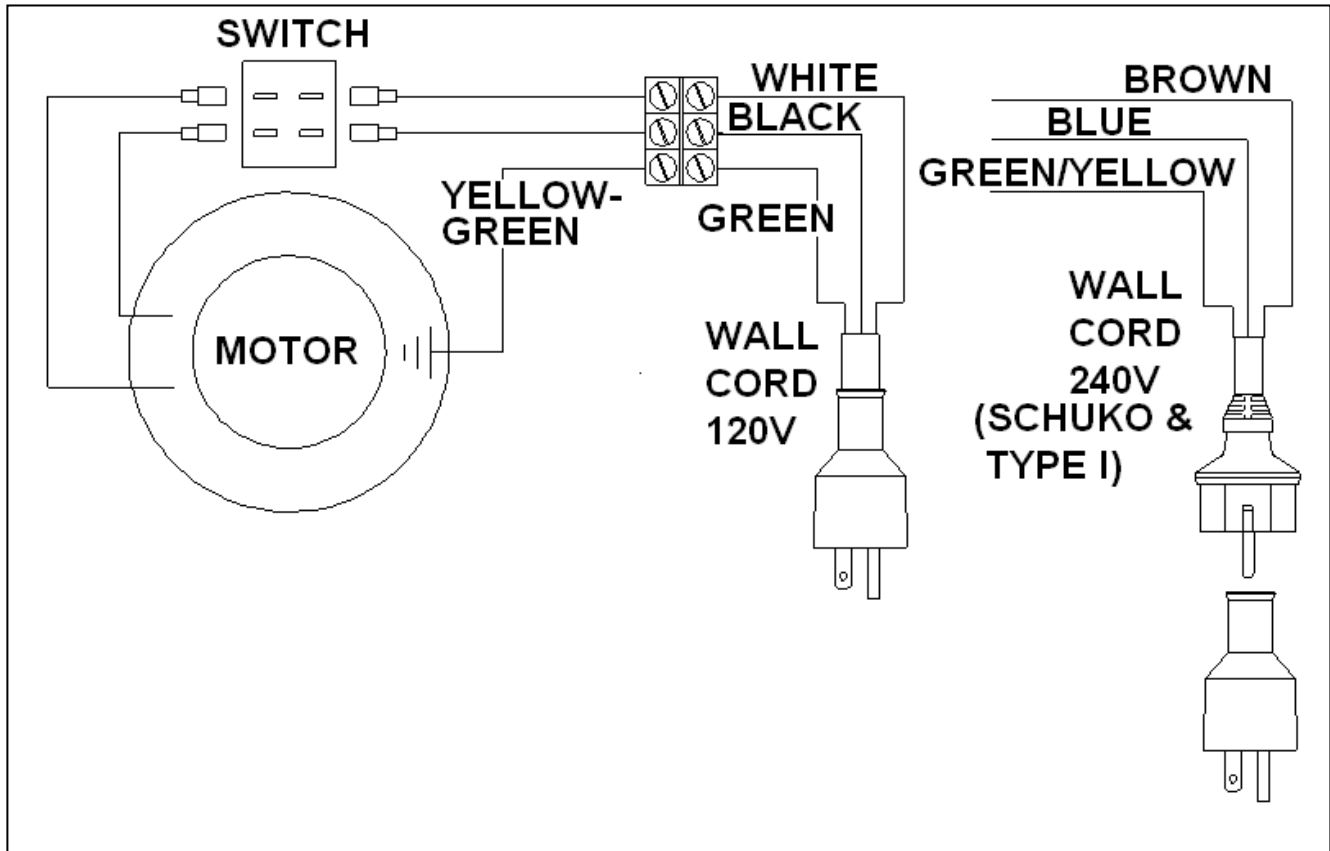
<u>ITEM</u>	<u>PART#</u>	<u>DESCRIPTION</u>	<u>QTY</u>
1	5795441	HOSE	1
2	5795161	CROSS BAR	1
3	9121250	1/4-20 X 3/4 HEX BOLT	2
4	9120900	1/4-20 HEX NUT WITH NYLOK INSERT	4
5	5795431	LATCH	1
6	5792681	BRACKET, LIFT-ARM, RIGHT, FMS	1
7	5792691	BRACKET, LIFT-ARM, LEFT, FMS	1
8	9121145	1/4-20 X 2 HEX BOLT	2
9	5795401	WHEEL	2
10	9120920	1/4-20 HEX NUT	2
11	5797991	KNOB	2
12	5792701	HOUSING, FMS SQUEEGEE	1
13	5795381	BLADE SUPPORT	2
14	5795121	SQUEEGEE SOLID	2
15	5795111	SQUEEGEE SLOTTED	2
16	9120430	10-24 X 3/4 ROUND HEAD PHILLIPS SCREW	22
17	9120350	10-24 HEX NUT WITH NYLOK INSERT	4
18	5792741	WHEEL, 2" DIA x 13/16", GREY	1
19	5792761	PIN, CLEVIS W/REUSABLE COTTER	1

ALPHA 24 SQUEEGEE ASSEMBLY



5792739 Complete FMS Kit
 5792729 Squeegee Assembly
 Fits Alpha 24 Only

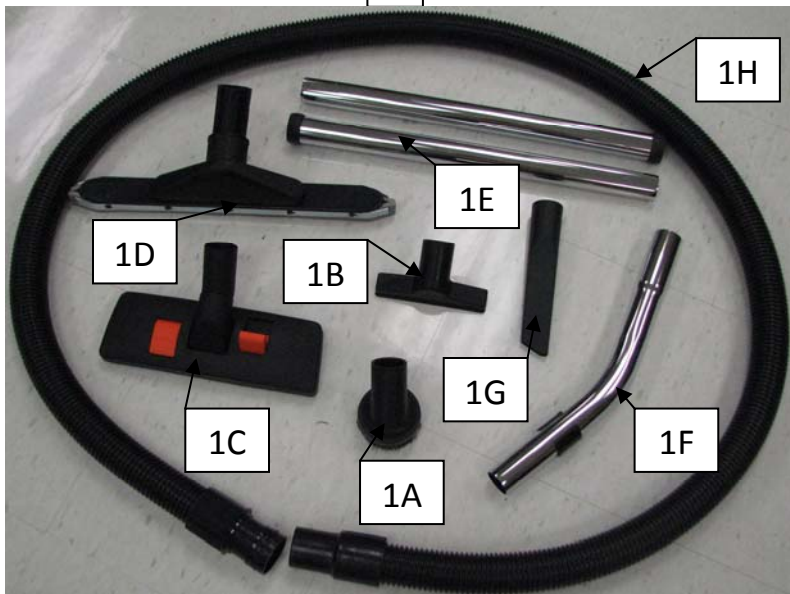
WIRING DIAGRAM



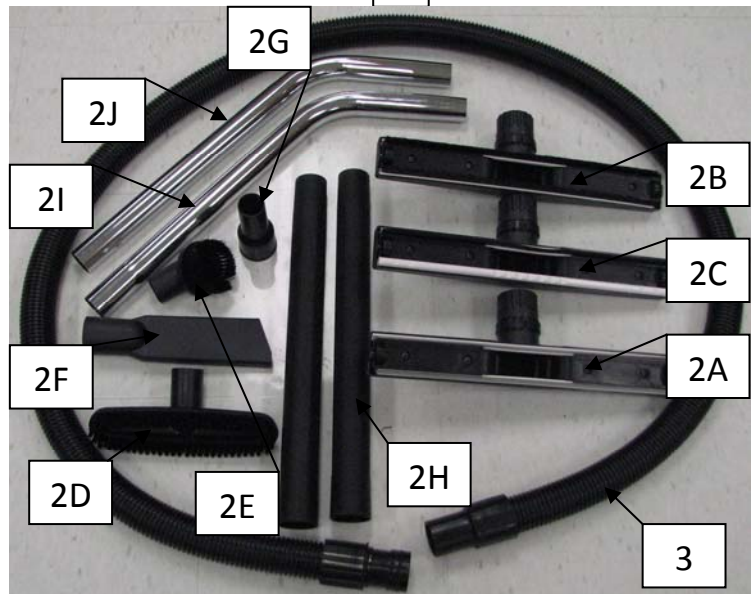
ACCESSORIES

<u>ITEM</u>	<u>PART#</u>	<u>DESCRIPTION</u>	<u>QTY</u>
1	5790081	KIT 1 (ALPHA 4)	
1A	5790111	2-1/2" ROUND BRUSH	1
1B	5790171	5.75" UPHOLSTERY TOOL	1
1C	5790131	CARPET/BARE FLOOR TOOL	1
1D	5797211	17" SQUEEGEE TOOL	1
1E	5797281	STRAIGHT STEEL TUBE	2
1F	5797191	1-1/2" CURVED WAND	1
1G	5790121	CREVICE TOOL	1
1H	5797061	8' HOSE	1
2	3098290	KIT 2 (ALPHA 8, 16, 24)	
2A	5797011	15" SQUEEGEE WITH WHEELS	1
2B	5797021	15" DRY FLOOR TOOL	1
2C	5797031	15" CARPET TOOL	1
2D	5790301	7" BRUSH WALL TOOL	1
2E	5790111	2-1/2" ROUND BRUSH	1
2F	5790291	CREVICE TOOL	1
2G	5790311	ADAPTOR	1
2H	5790321	PLASTIC TUBE	2
2I	5790471	LOWER WAND	1
2J	5790481	UPPER WAND	1
3	5797061	8' HOSE (NOT PART OF KIT)	1
	5790229	17 INCH SQUEEGE RUBBER - SET OF 4 - REPLACEMENT	
	5797171	15 INCH SQUEEGE RUBBER -SET OF 2- REPLACEMENT	
	5793341	FILTER BAG WITH RING - INCLUDES BAG RING, BAG STAND, AND FILTER BAG	

1



2





NSS ® Enterprises, Inc.

3115 Frenchmens Road, Toledo, Ohio 43607
PHONE (419) 531-2121 FAX (419) 531-3761

NSS ® Enterprises, Inc. European Distribution Centre
Unit II, Pinfold Trading Estate * 55 Nottingham Road
STAPLEFORD, NOTTINGHAM NG9 8AD ENGLAND U.K.
PHONE: (44) 0115 939 1568 * FAX: (44) 0115 949 0615