

PARTS LIST  
**SIDEWINDER 27 SWEEPER**

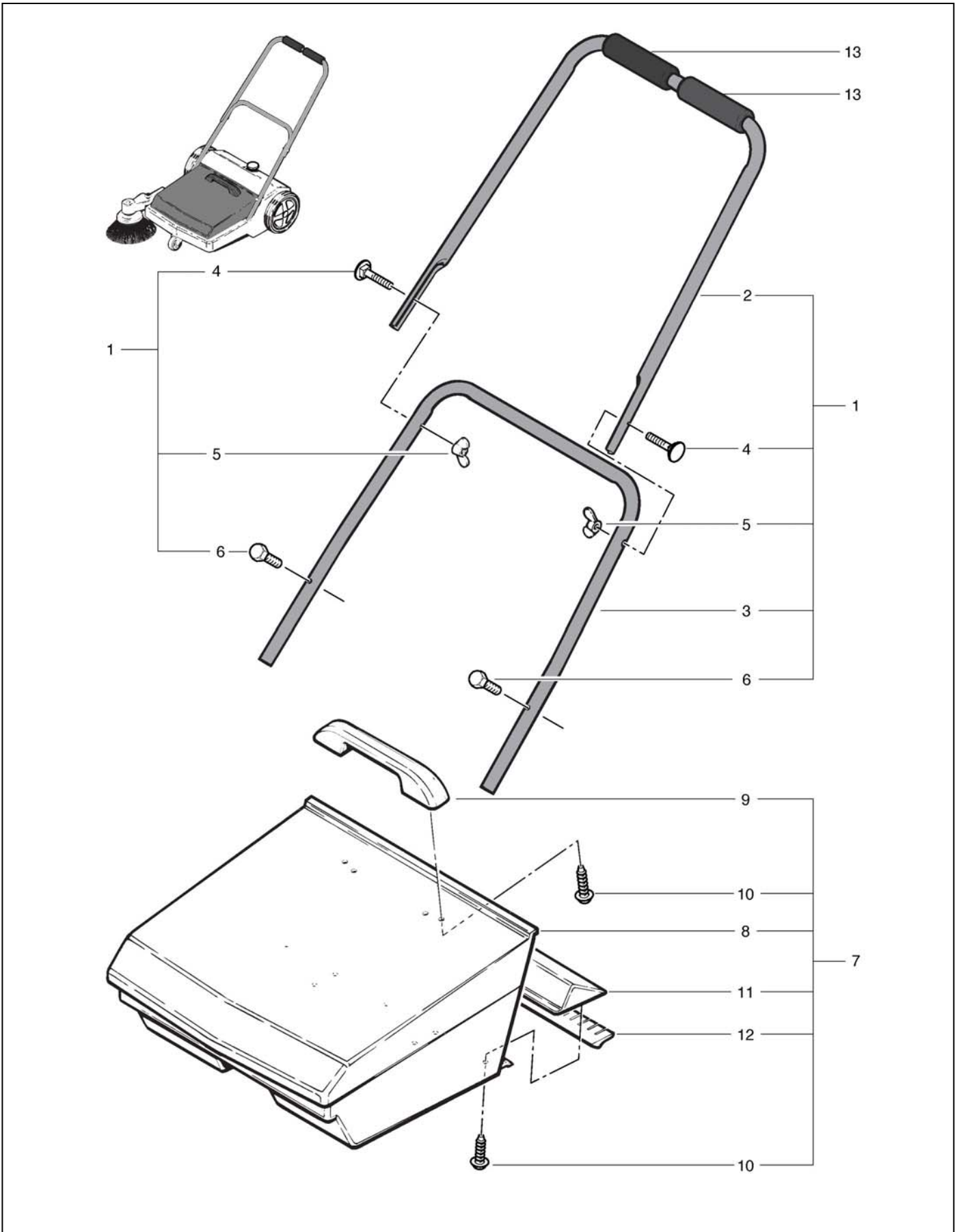


ORIGINAL INSTRUCTIONS

## ***HANDLE & HOPPER ASSEMBLY***

<b><u>ITEM</u></b>	<b><u>PART NO.</u></b>	<b><u>DESCRIPTION</u></b>	<b><u>QTY</u></b>
1	6390071	COMPLETE HANDLE - INCLUDES ITEMS 2 THRU 6	1
2	6390051	UPPER HANDLE	1
3	6390061	LOWER HANDLE	1
4	6390541	M6 X 40mm LONG SCREW	2
5	6390691	M6 WING NUT	2
6	6390591	M6 X 35mm LONG HEX HEAD SCREW	2
7	6390121	COMPLETE HOPPER – INCLUDES ITEMS 8 THRU 12	1
8	-----	HOPPER	1
9	-----	HOPPER HANDLE	1
10	-----	PT SCREW 50 X 16mm	2
11	6390101	FLOOR BLADE RETAINER	1
12	6390111	FLOOR BLADE	1
13	6396511	GRIP	2

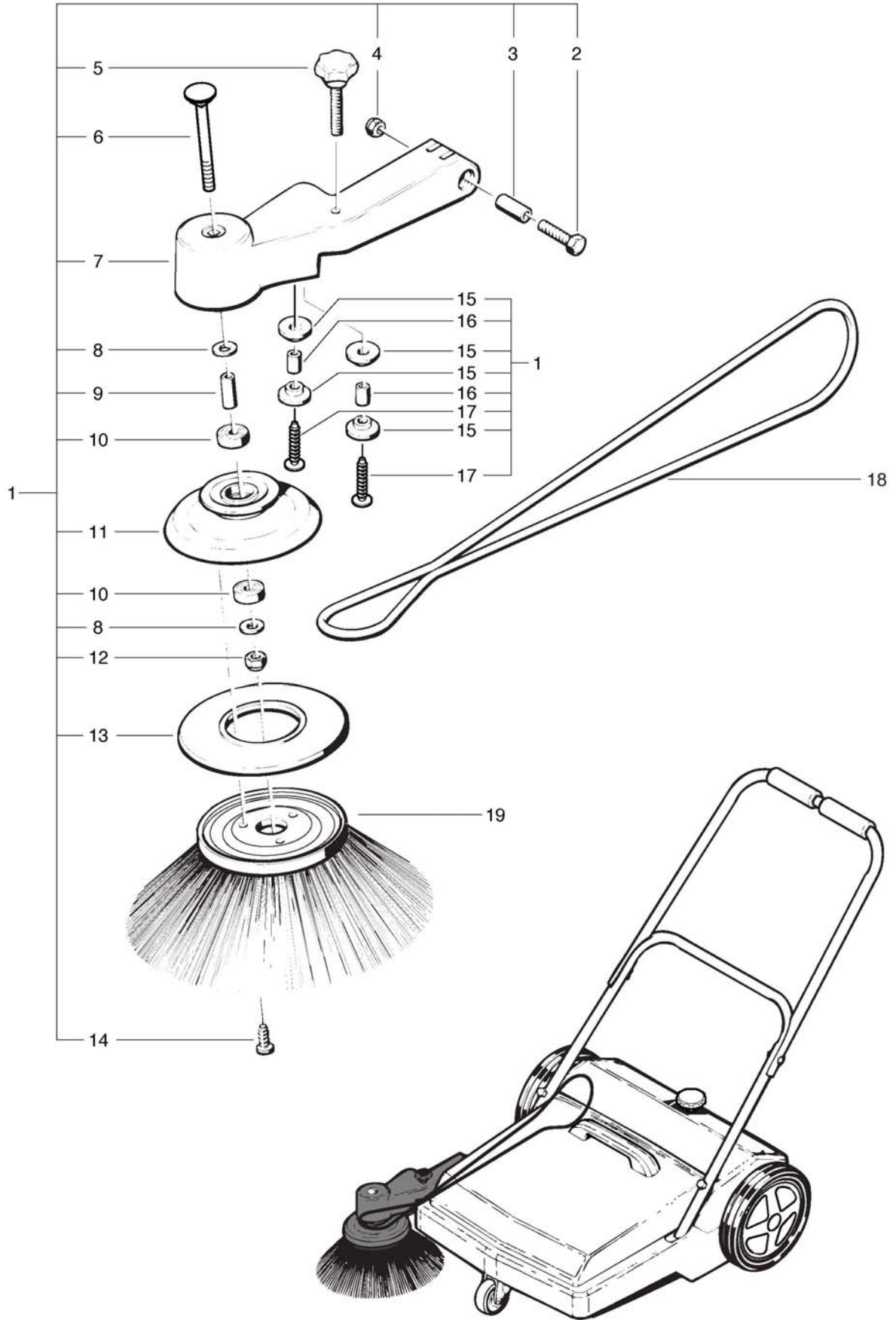
# HANDLE & HOPPER ASSEMBLY



## ***SIDE BROOM ASSEMBLY***

<b><u>ITEM</u></b>	<b><u>PART NO.</u></b>	<b><u>DESCRIPTION</u></b>	<b><u>QTY</u></b>
1	6392011	COMPLETE SIDE BROOM ARM – INCLUDES:	1
2	-----	M8 X 40mm LONG HEX HEAD SCREW	1
3	6390481	SPACER	1
4	-----	M8 STOPNUT	1
5	6390141	ADJUSTMENT KNOB	1
6	6390551	M10 X 10mm LONG SCREW	1
7	6390131	SIDEBROOM ARM	1
8	-----	WASHER, Ø 10.5mm	1
9	-----	SPACER	1
10	6390741	BEARING	1
11	6390161	SIDEBROOM COVER	1
12	6390711	M10 STOPNUT	1
13	-----	SIDEBROOM BUMPER	1
14	-----	PT SCREW 50 X 16mm	1
15	6390151	BELT GUIDE	4
16	6390491	SPACER	2
17	6390631	PT SCREW 60 X 35mm	2
18	6390191	BELT	1
19	6390181	SIDEBROOM	1

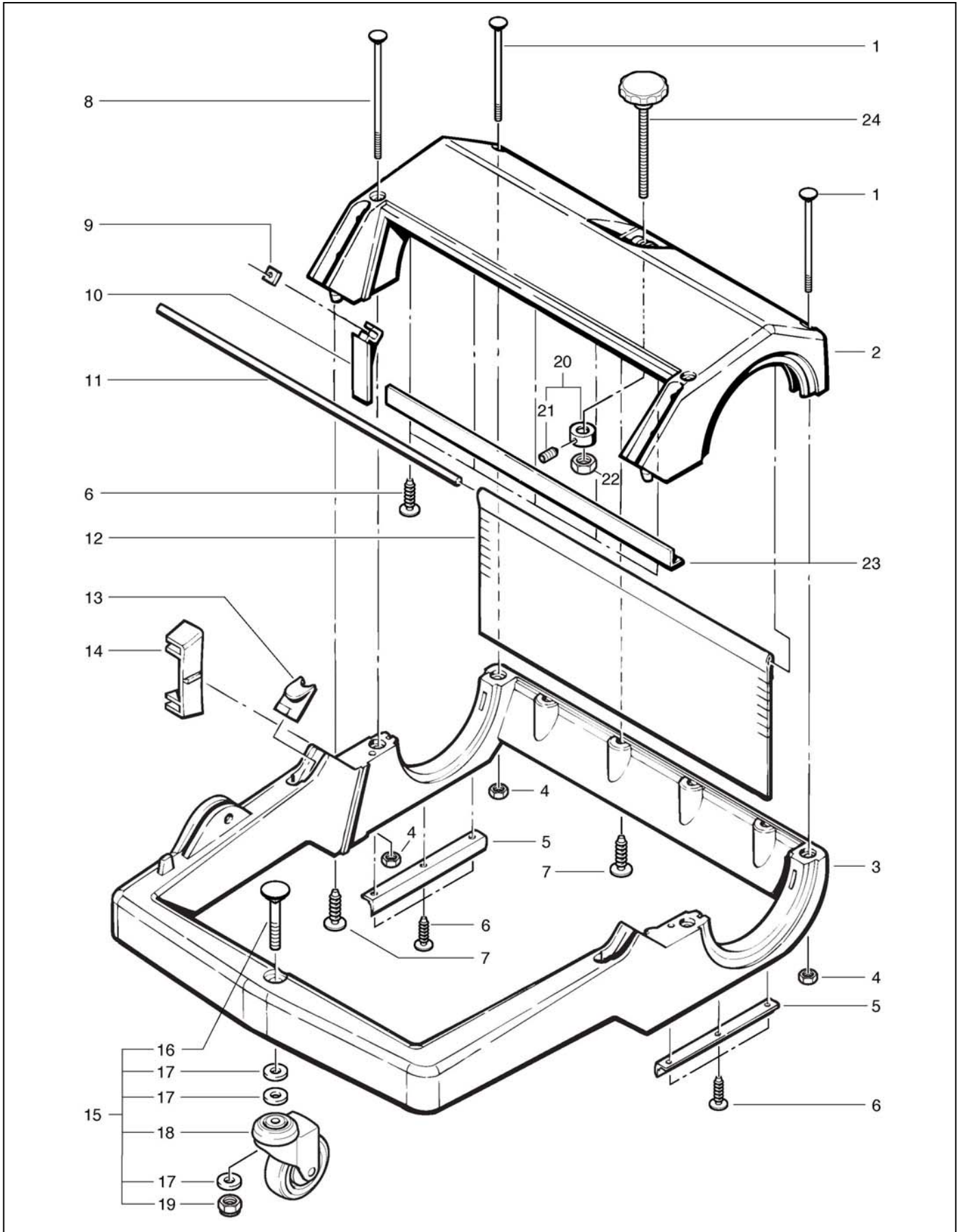
# SIDE BROOM ASSEMBLY



## CHASSIS ASSEMBLY

<u>ITEM</u>	<u>PART NO.</u>	<u>DESCRIPTION</u>	<u>QTY</u>
1	-----	M6 X 110mm LONG SCREW	2
2	-----	REAR HOUSING	1
3	-----	MAIN FRAME	1
4	-----	M6 HEX NUT	4
5	6390281	SHORT SEAL	2
6	-----	PT SCREW 50 X 16mm	2
7	-----	PT SCREW 60 X 20mm	3
8	-----	M6 X 140mm LONG SCREW	2
9	-----	M6 NUT	1
10	-----	NUT SUPPORT	1
11	-----	SUPPORT ROD	1
12	6390261	REAR FLOOR SEAL	1
13	-----	SUPPORT FOR PUSHBAR	1
14	6390301	BELT GUIDE	1
15	-----	CASTER – INCLUDES:	1
16	-----	M10 X 75mm LONG SCREW	1
17	-----	WASHER, Ø10.5mm	3
18	6390311	CASTER	1
19	6390711	M10 STOPNUT	1
20	-----	SETSCREW COLLAR – INCLUDES:	1
21	6390751	M5 X 8mm SET SCREW	1
22	-----	M10 HEX NUT	1
23	6390241	HOPPER SEAL	1
24	6390251	ADJUSTMENT KNOB	1

# CHASSIS ASSEMBLY

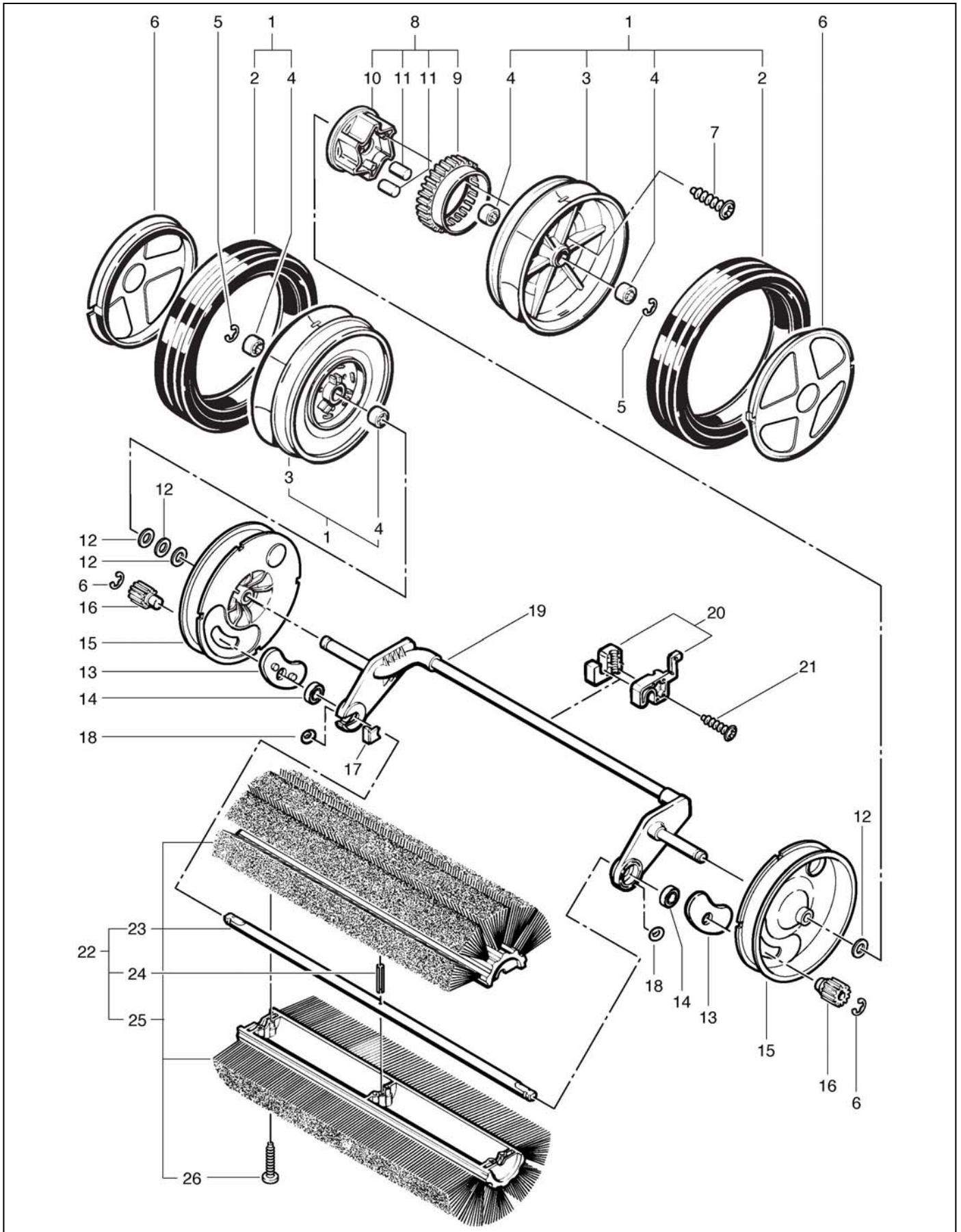


## **MAIN BRUSH & WHEEL ASSEMBLY**

<b><u>ITEM</u></b>	<b><u>PART NO.</u></b>	<b><u>DESCRIPTION</u></b>	<b><u>QTY</u></b>
1	6390321	WHEEL COMPLETE – INCLUDES:	2
2	6390341	TIRE	2
3	6390351	WHEEL RIM	2
4	6390521	WHEEL BEARING	4
5	6390761	RETAINING RING, 8mm	2
6	6390331	HUB CAP	2
7	6390661	PT SCREW 60 X 25mm	1
8	-----	DRIVE ASSEMBLY COMPLETE – INCLUDES:	1
9	6390531	GEAR RIM	1
10	6390361	PIVOT HUB	1
11	6390371	DRIVE ROLL	1
12	-----	WASHER	4
13	6390411	COVERING PIECE	2
14	6390741	BALL BEARING	2
15	6390381	WHEEL	2
16	6390391	ANNULAR GEAR	2
17	-----	COVER	1
18	6390771	O-RING	2
19	6390421	AXLE	1
20	-----	ADJUSTMENT BLOCK	1
21	-----	PT SCREW 50 X 25mm	1
22	-----	MAIN BROOM COMPLETE – INCLUDES:	1
23	6390471	BRUSH AXLE	1
24	-----	PIN, 6 X 30mm	1
25	6390461	MAIN BROOM (2 PIECES)	1
26	-----	PT SCREW 50 X 30mm	3



# MAIN BRUSH & WHEEL ASSEMBLY



## ***NOTES***

## **NOTES**



**NSS® Enterprises, Inc.**

3115 Frenchmens Road  
Toledo, Ohio 43607  
PHONE (419) 531-2121  
FAX (419) 531-3761

[mailus@nss.com](mailto:mailus@nss.com)  
[www.nss.com](http://www.nss.com)