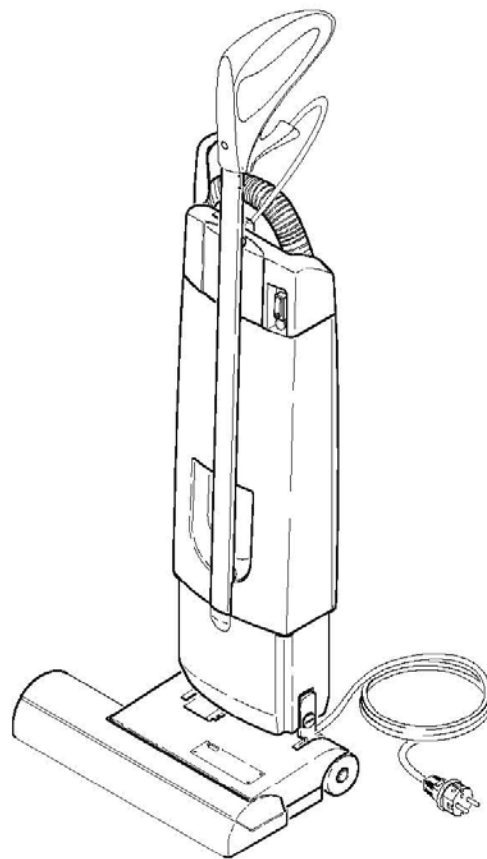
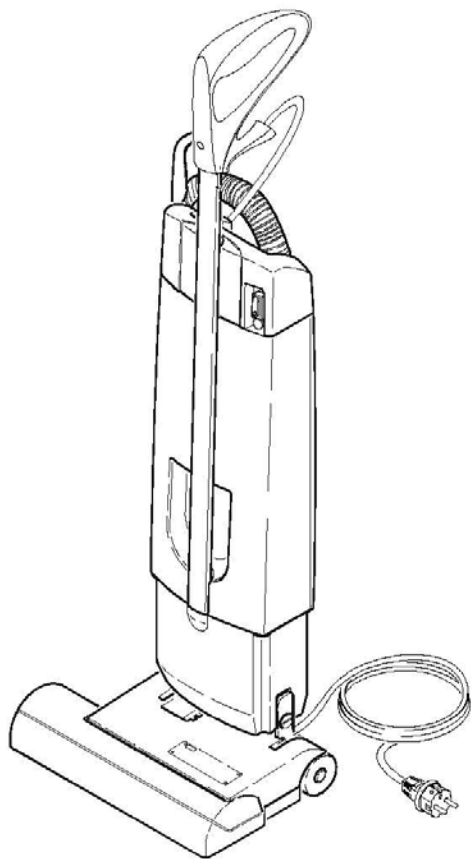
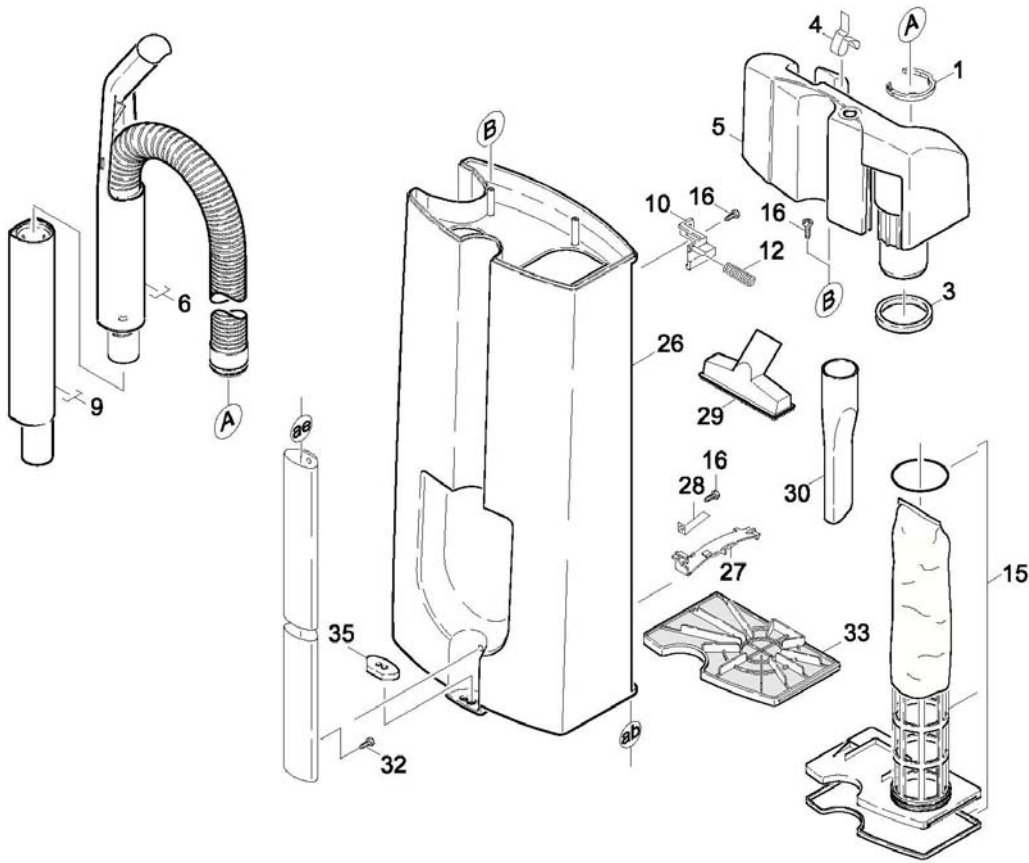


PARTS LIST
PACER 214 UE
PACER 218 UE

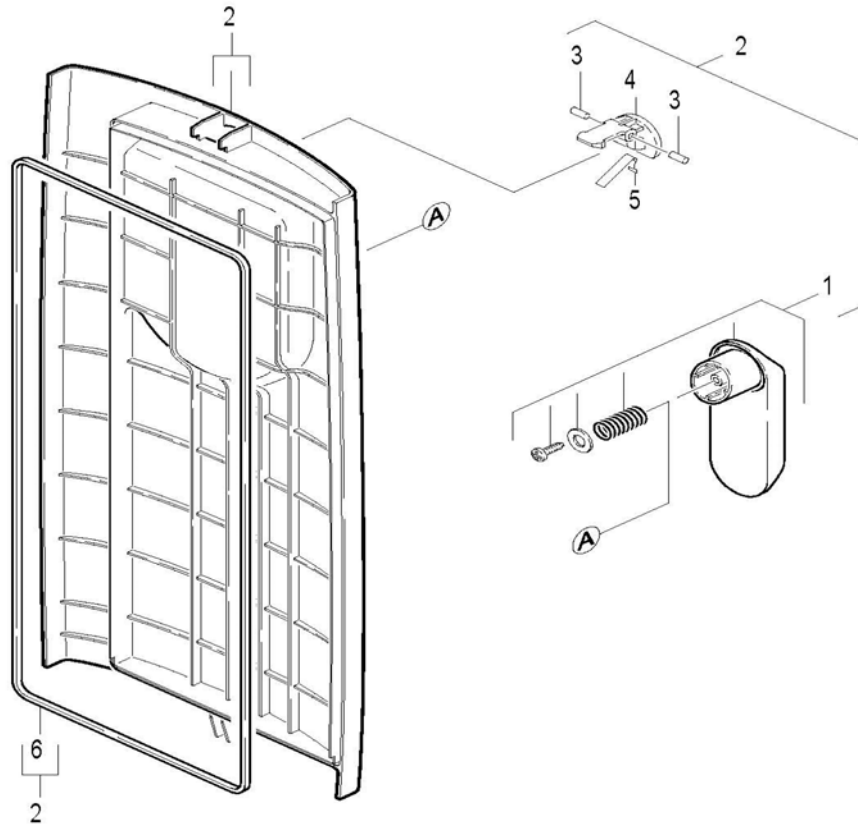


TOP PART



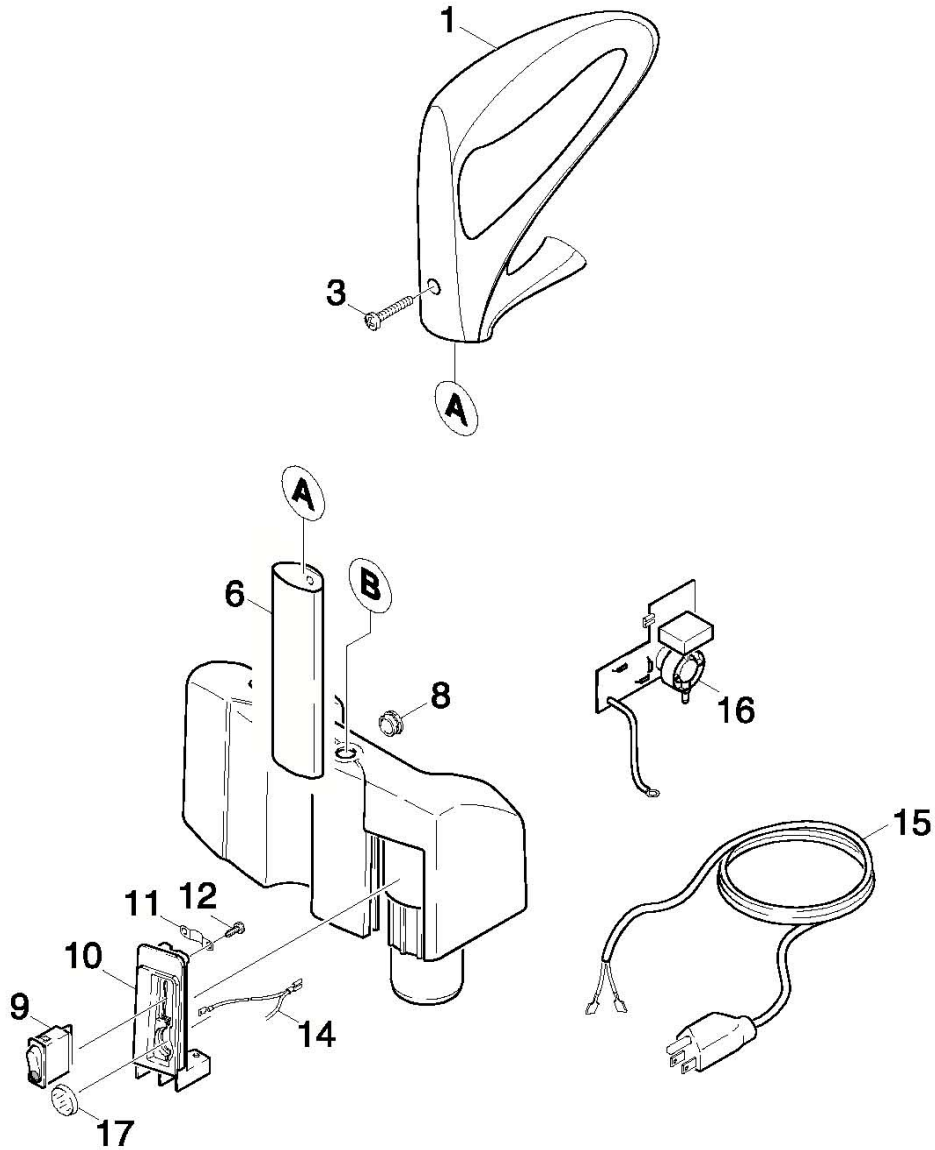
ITEM	PART NO.	PART DESCRIPTION	QTY.
1	6890011	RETAINING SPRING	1
3	6890101	SEAL - TANK	1
4	6890081	CLIP - UPHOLSTERY TOOL (SPRING)	1
5	7292511	HOUSING - TOP WITH HOLES FOR LIGHT - BLACK	1
6	6890051	SUCTION HOSE WITH UPPER TUBE HANDLE	1
9	6890031	LOWER SUCTION TUBE	1
10	6890121	SAFETY STOP	1
12	6890131	HELICAL SPRING - SAFETY STOP	1
15	6890171	MICROFILTER	1
15	6892011	MICROFILTER 5 - PACK	1
16	7292711	M4.0 X 12 OVAL HEAD SCREW	6
26	7292521	HOUSING - LOWER - BLACK	1
27	6890141	BRACKET	1
28	6890151	SPRING - COMPRESSION	1
29	6890251	UPHOLSTERY NOZZLE	1
30	6890261	CREVICE TOOL	1
32	7293071	M4 X 10 SCREW	7
33	6890161	FILTER - SAFETY	1
35	6890961	SEAL - STOP - HANDLE TUBE	1

COVER



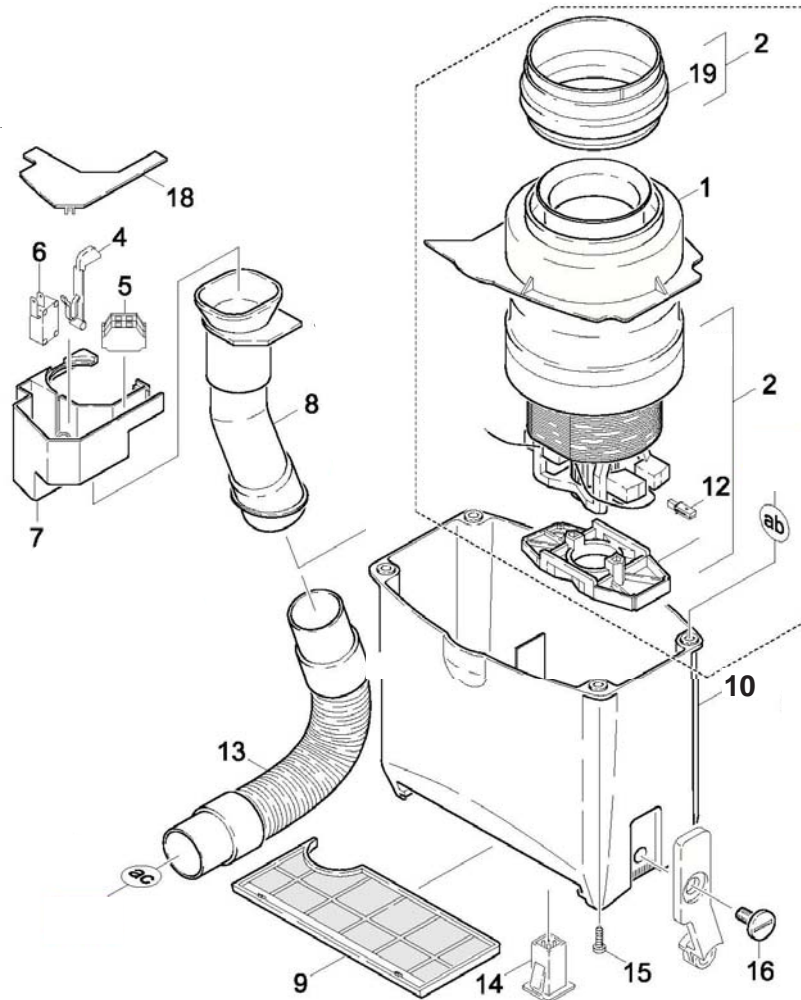
<u>ITEM</u>	<u>PART NO.</u>	<u>PART DESCRIPTION</u>	<u>QTY.</u>
2	6892021	DOOR WITH LATCH, SEAL, AND HANDLE - BLACK - COMPLETE - INCLUDES:	1
1	6890181	DOOR HANDLE ASSEMBLY	1
3	6890201	PIN - GROOVED - LATCH	2
4	6890191	LATCH - TANK DOOR	1
5	6890211	SPRING - LATCH	1
6	6890231	SEAL - TANK DOOR	1

HANDLE



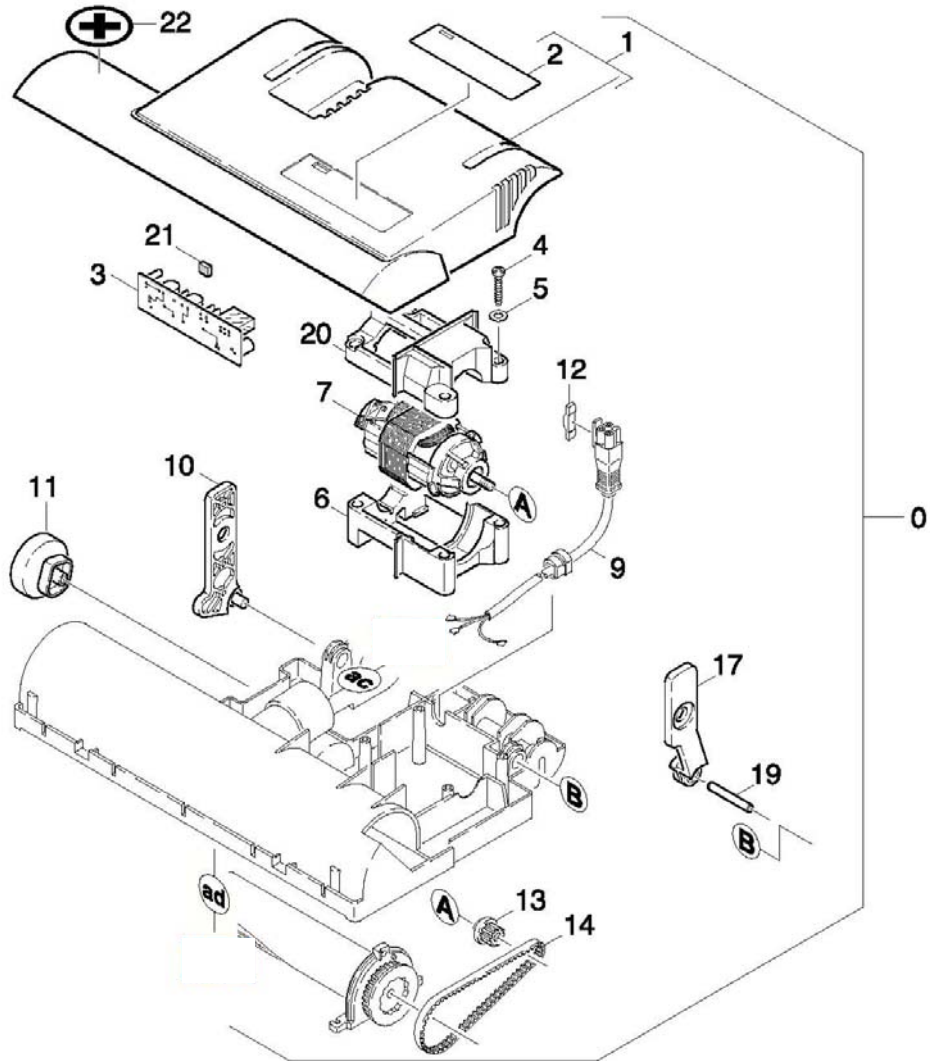
<u>ITEM</u>	<u>PART NO.</u>	<u>PART DESCRIPTION</u>	<u>QTY.</u>
1	7190311	HANDLE COMPLETE	1
3	7190551	M5 X 40 SCREW	1
6	7292681	HANDLE - TUBE	1
8	7292931	RUBBER BUSHING	1
9	7292921	SWITCH - ON / OFF	1
10	7292881	PLATE - SWITCH AND LIGHT	1
11	7293061	WIRE RETAINER	1
12	7293081	M3.5 X 13 SCREW	2
14	7292241	BAG FULL LED - 120 VOLT	1
14	7292661	BAG FULL LED - 240 VOLT	1
15	7292941	POWER CORD - 120 VOLT	1
15	6890371	POWER CORD - 100 VOLT / 240 VOLT	1
16	7292601	BRUSH P. C. BOARD - 120 VOLT - HANDLE ASSEMBLY	1
16	7291261	BRUSH P. C. BOARD - 240 VOLT - HANDLE ASSEMBLY	1
17	7292231	LENS - BAG FULL LIGHT	1

MOTOR



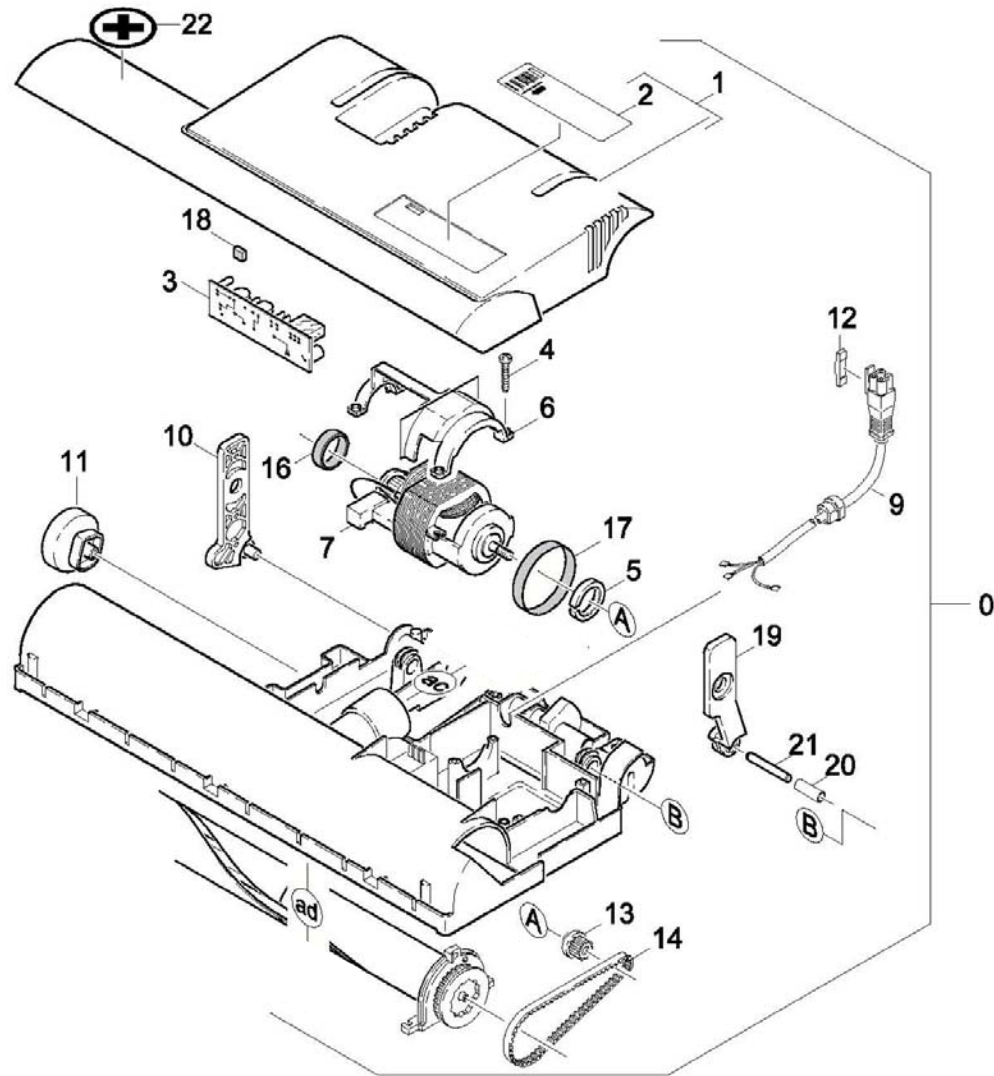
<u>ITEM</u>	<u>PART NO.</u>	<u>PART DESCRIPTION</u>	<u>QTY.</u>
1	7292111	SEAL - VAC MOTOR	1
2	7292311	VAC MOTOR COMPLETE 115 VOLT - INCLUDES:	1
3	7292321	MOTOR SUPPORT	1
19	7292331	INTERMEDIATE RING	1
12	7190431	CARBON BRUSH SET - 120 VOLT	1
2	7292641	VACUUM MOTOR - 240 VOLT COMPLETE - INCLUDES:	1
3	7292321	MOTOR SUPPORT	1
19	7292331	INTERMEDIATE RING	1
12	7292631	CARBON BRUSH SET - 240 VOLT	1
4	6890551	BRACKET - MICRO SWITCH	1
5	6890561	TERMINAL BLOCK	1
6	6890541	MICRO SWITCH	1
7	6890531	COVER - CONNECTING TUBE - 120 VOLT	1
7	7292611	COVER - CONNECTING TUBE - 240 VOLT	1
8	6890521	TUBE - HOSE CONNECTION	1
9	6890471	FILTER - EXHAUST	1
10	6890481	HOUSING - VAC MOTOR - 120 VOLT	1
10	7292621	HOUSING - VAC MOTOR - 240 VOLT	1
13	6890501	HOSE - BRUSH HEAD - VAC HOUSING	1
14	6890491	ELECTRIC PLUG - FEMALE RECEPTACLE	1
15	6891081	M5 X 16 OVAL HEAD SCREW	4
16	6890711	M8 X 13 SCREW	2
18	6890571	PLATE - TUBE COVER	1

BRUSH HEAD - TOP - 214



<u>ITEM</u>	<u>PART NO.</u>	<u>PART DESCRIPTION</u>	<u>QTY.</u>
0	7292561	BRUSH HEAD ASSEMBLY - BLACK - 120 VOLT - INCL. BOTH TOP AND BOTTOM	1
0	7292651	BRUSH HEAD ASSEMBLY - BLACK - 240 VOLT - INCL. BOTH TOP AND BOTTOM	1
1	7292541	TOP COVER - BLACK	1
2	7292551	DECAL - PACER	1
3	6890611	P. C. BOARD - BRUSH HEAD - 120 VOLT	1
3	6890621	P. C. BOARD - BRUSH HEAD - 240 VOLT	1
4	7292701	M4 X 16 OVAL HEAD SCREW	4
5	6891111	M4.3 WASHER	4
6	6890631	MOTOR GUARD - BOTTOM	1
7	6890641	BRUSH MOTOR - 120 VOLT	1
7	6890661	BRUSH MOTOR - 240 VOLT	1
9	7292841	CORD - BRUSH MOTOR	1
10	6890691	SUPPORT ARM - INTERNAL PIN - RIGHT	1
11	6890721	KNOB - HEIGHT ADJUSTMENT	1
12	6891181	PLUG RETAINING FINGER	1
13	6890731	PULLEY - BRUSH MOTOR	1
14	6890741	BELT - TIMING	1
17	7292991	SUPPORT ARM - LEFT	1
19	7292191	AXLE	1
20	6890941	MOTOR GUARD - TOP	1
21	7292591	RUBBER BAND	1
22	7293391	DECAL - "DO NOT STEP ON"	1

BRUSH HEAD - TOP - 218

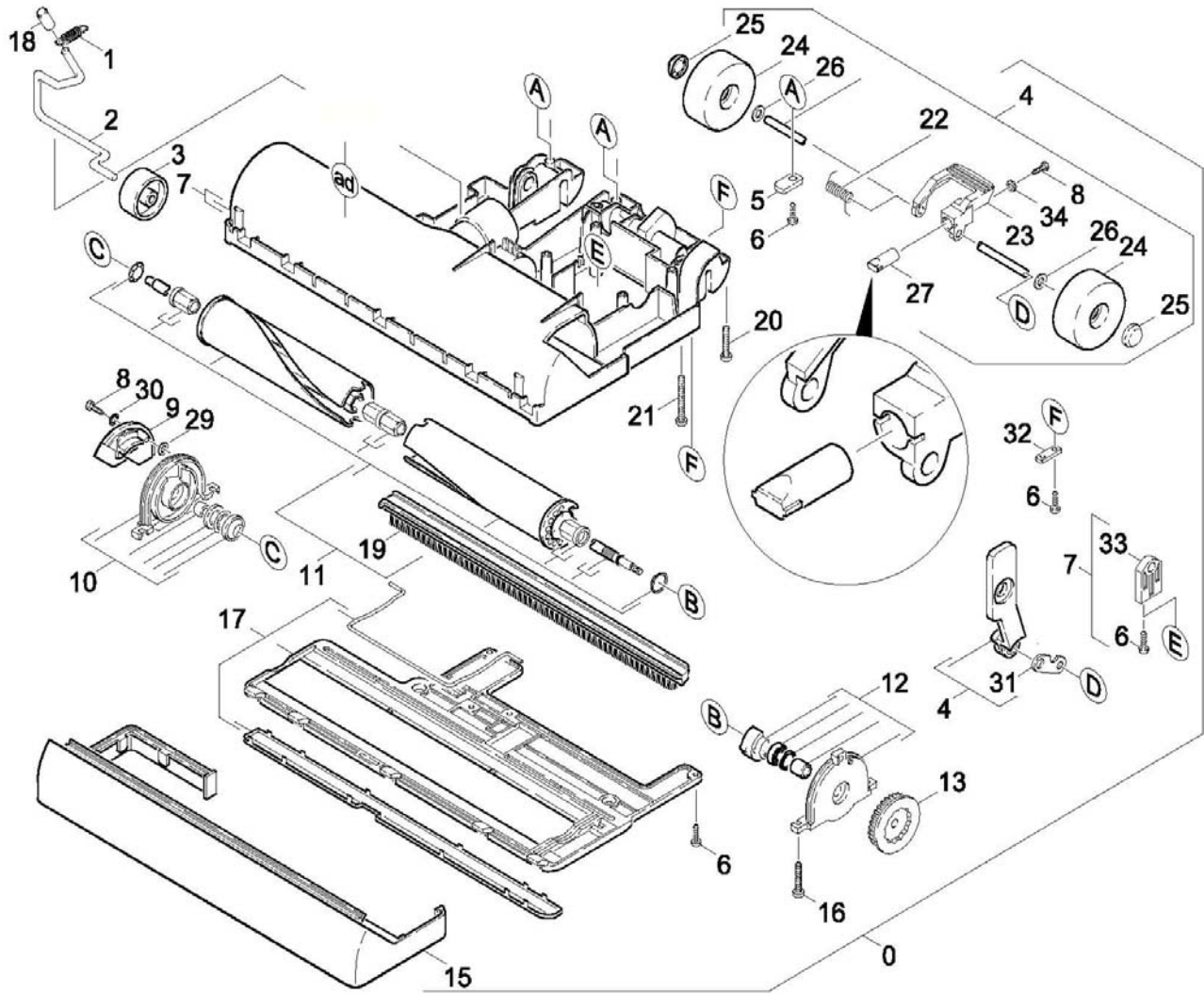


ITEM	PART NO.	PART DESCRIPTION	QTY.
0	7292571	BRUSH HEAD ASSEMBLY - BLACK - INCLUDES BOTH TOP AND BOTTOM	1
1	7292581	COVER - TOP - BLACK	1
2	7292551	DECAL - PACER	1
3	6890611	P. C. BOARD - BRUSH HEAD	1
4	7292701	M4 X 16 OVAL HEAD SCREW	4
5	7293161	RING	1
6	7293171	MOTOR GUARD - BOTTOM	1
7	7293181	BRUSH MOTOR - 115 VOLT	1
9	7292841	CORD - BRUSH MOTOR	1
10	6890691	SUPPORT ARM - INTERNAL PIN - RIGHT	1
11	6890721	KNOB - HEIGHT ADJUSTMENT	1
12	6891181	PLUG RETAINING FINGER	1
13	6890731	PULLEY - BRUSH MOTOR	1
14	7293201	BELT - 8 mm	1
16	7293211	SMALL RING - JOINT	1
17	7293221	LARGE RING - JOINT	1
18	7292591	RUBBER BAND	1
19	7292991	SUPPORT ARM - LEFT	1
20	7293231	BUSHING	1
21	7293241	AXLE	1
22	7293391	DECAL - "DO NOT STEP ON"	1

BRUSH HEAD - BOTTOM - 214

<u>ITEM</u>	<u>PART NO.</u>	<u>PART DESCRIPTION</u>	<u>QTY.</u>
0	7292561	BRUSH HEAD ASSEMBLY - BLACK - 120 VOLT - INCL. BOTH TOP AND BOTTOM	1
0	7292651	BRUSH HEAD ASSEMBLY - BLACK - 240 VOLT - INCL. BOTH TOP AND BOTTOM	1
1	6890871	EXTENSION SPRING	1
2	6890851	LEVER - HEIGHT ADJUSTMENT	1
3	6890861	WHEEL - HEIGHT ADJUSTMENT	1
4	7293001	AXLE AND PEDAL ASSEMBLY	1
5	6890901	RETAINER CLIP - AXLE	2
6	7190521	M3.5 X 12 SCREW	1
7	7292831	HOUSING - BOTTOM BRUSH - 120 VOLT	1
7	7292671	HOUSING - BOTTOM BRUSH - 240 ONLY	1
8	7293091	M4 X 8 SCREW	2
9	6890791	COVER - END PLATE - 120 VOLT	1
9	7292691	COVER - END PLATE - 240 VOLT	1
10	6890801	END PLATE WITH BEARING - BRUSH END	1
11	6890761	ROLLER ASSEMBLY - BRUSH INCLUDES:	1
19	6890781	BRUSH STRIP - BLACK - STANDARD	1
19	6890771	BRUSH STRIP - RED - HARD (ACCESSORY)	1
12	6890811	END PLATE ASSEMBLY - PULLEY END	1
13	6890751	PULLEY - BRUSH	1
15	7292861	BUMPER	1
16	7292701	M4 X 16 OVAL HEAD SCREW	4
17	7292871	SHOE - BRUSH	1
18	6890881	BUSHING (SLEEVE)	1
20	6891081	M5 X 16 OVAL HEAD SCREW	1
21	7292211	M5 X 30 OVAL HEAD SCREW	3
22	7293031	SPRING - FOOT PEDAL	1
23	7293011	PEDAL - FOOT	1
24	6890911	WHEEL ONLY	2
25	6891131	LOCK WASHER	2
26	7292281	M6.4 I.D. X 11.7 O.D. X 16 THICK FLAT WASHER	2
27	7293021	SCREW - BRASS LOCKING @ PEDAL (BOLT)	1
29	7292261	M3 WASHER - PLASTIC	1
30	7292271	M4.4 EXTERNAL STAR LOCK WASHER	1
31	7292971	RETAINER CLIP - AXLE SUPPORT	1
32	7292961	RETAINER CLIP - AXLE - 2 HOLE PLATE	1
33	7292981	BEARING BLOCK - AXLE SUPPORT - 120 VOLT ONLY	1
34	7293111	M4 SPRING WASHER @ FOOT PEDAL	1

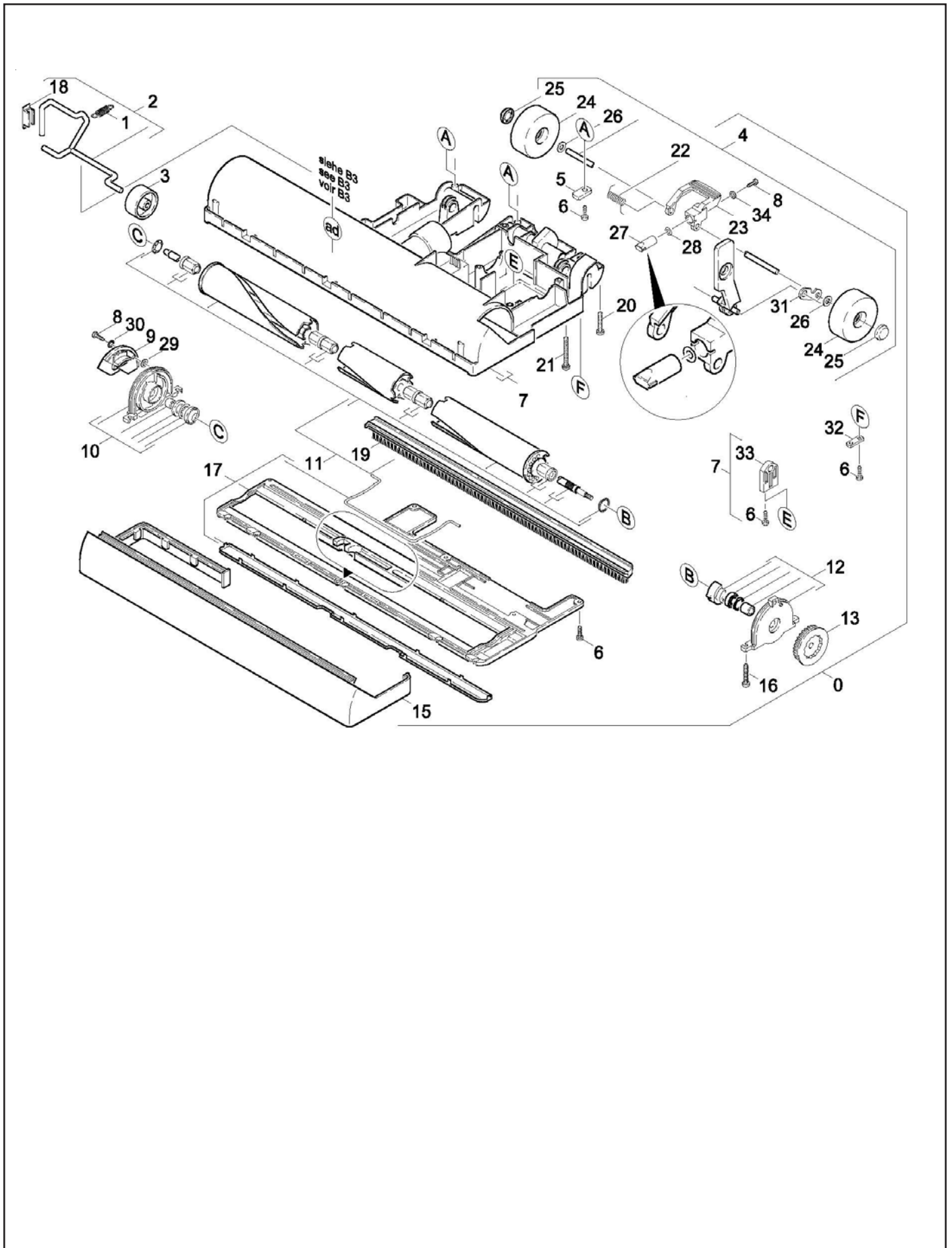
BRUSH HEAD - BOTTOM - 214

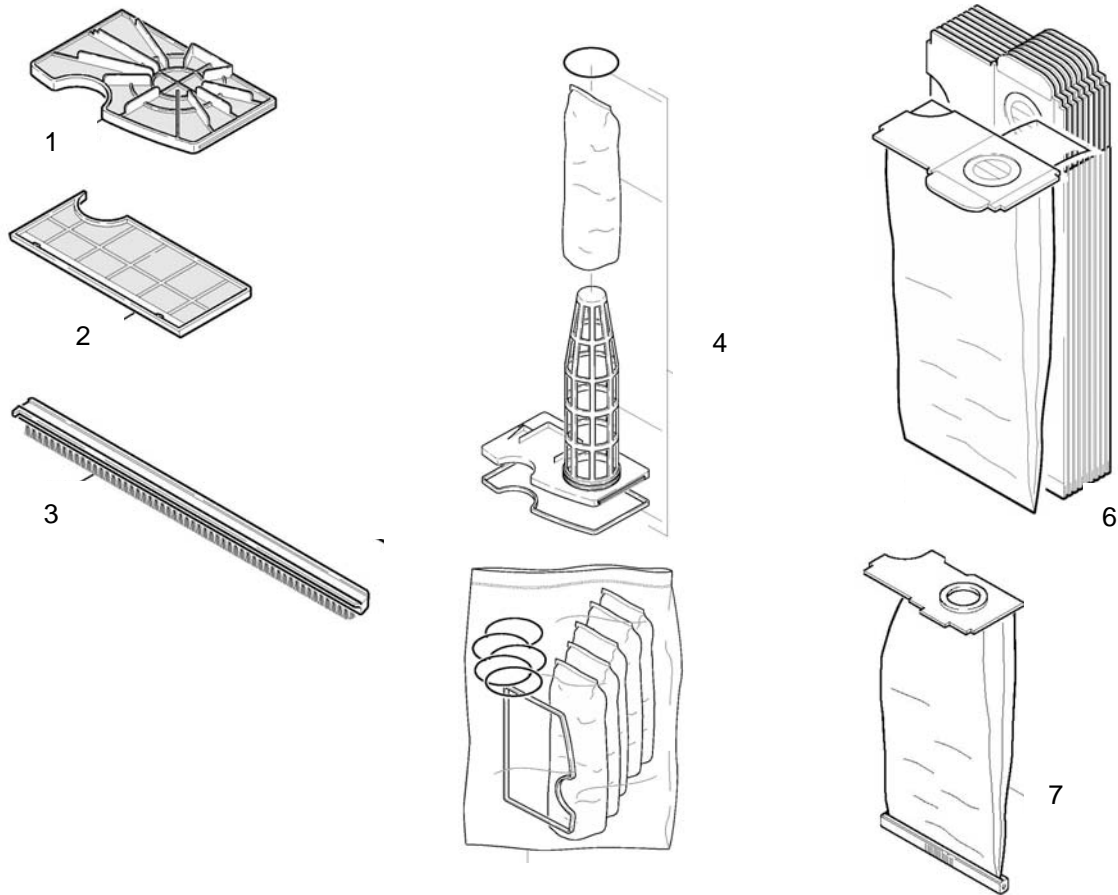


BRUSH HEAD - BOTTOM - 218

<u>ITEM</u>	<u>PART NO.</u>	<u>PART DESCRIPTION</u>	<u>QTY.</u>
0	7292571	BRUSH HEAD ASSEMBLY - BLACK - INCL. BOTH TOP AND BOTTOM	1
1	6890871	EXTENSION SPRING	1
2	7293261	AXLE - HEIGHT ADJUSTMENT	1
3	6890861	WHEEL - HEIGHT ADJUSTMENT	1
4	7293279	ASSEMBLY - AXLE AND PEDAL	1
5	6890901	RETAINER CLIP - AXLE	2
6	7190531	M4 X 12 SCREW	1
7	7293281	HOUSING - BOTTOM	1
8	7293091	M4 X 8 SCREW	2
9	6890791	COVER - END PLATE - 120 VOLT	1
10	6890801	END PLATE WITH BEARING - BRUSH END	1
11	7293291	ROLLER ASSEMBLY - BRUSH - INCLUDES:	1
19	7293331	BRUSH STRIP - BLACK - STANDARD	1
19	7293341	BRUSH STRIP - RED - HARD (ACCESSORY)	1
12	6890811	END PLATE ASSEMBLY - PULLEY END	1
13	6890751	PULLEY - BRUSH	1
15	7293301	BUMPER	1
16	7292701	M4 X 16 OVAL HEAD SCREW	4
17	7293311	SHOE - BRUSH	1
18	7293321	CLIP - HEIGHT ADJUSTMENT	1
20	6891081	M5 X 16 OVAL HEAD SCREW	1
21	7292211	M5 X 30 OVAL HEAD SCREW	3
22	7293031	SPRING - FOOT PEDAL	1
23	7293011	PEDAL - FOOT	1
24	6890911	WHEEL ONLY	2
25	6891131	LOCK WASHER	2
26	7292281	M6.4 I.D. X 11.7 O.D. X 16 THICK FLAT WASHER	2
27	7293021	SCREW - BRASS LOCKING @ PEDAL (BOLT)	1
29	7292261	M3 WASHER - PLASTIC	1
30	7292271	M4.4 EXTERNAL STAR LOCK WASHER	1
31	7292971	RETAINER CLIP - AXLE SUPPORT	1
32	7292961	RETAINER CLIP - AXLE - 2 HOLE PLATE	1
33	7292981	BEARING BLOCK - AXLE SUPPORT - 120 VOLT ONLY	1
34	7293111	M4 SPRING WASHER @ FOOT PEDAL	1

BRUSH HEAD - BOTTOM - 218





<u>ITEM</u>	<u>PART NO.</u>	<u>PART DESCRIPTION</u>	<u>QTY.</u>
1	6890161	FILTER - SAFETY	1
2	6890471	FILTER - EXHAUST	1
3	6890781	BRUSH STRIP - BLACK - STANDARD - 214 ONLY	1
3	6890771	BRUSH STRIP - RED - HARD - 214 ONLY	1
3	7293331	BRUSH STRIP - BLACK - STANDARD - 218 ONLY	1
3	7293341	BRUSH STRIP - RED - HARD - 218 ONLY	1
4	6890171	MICROFILTER - SINGLE	1
5	6892011	MICROFILTER 5 - PACK	1
6	6890241	PAPER FILTER - BAGS 10 - PACK	1
7	6892001	CLOTH FILTER BAG - SINGLE	1
8	6890251	UPHOLSTERY NOZZLE	1
9	6890261	CREVICE TOOL	1



NSS® Enterprises, Inc.

3115 Frenchmens Road, Toledo, Ohio 43607
 PHONE (419) 531-2121 FAX (419) 531-3761

NSS® Enterprises, Inc. European Distribution Centre
 Unit II, Pinfold Trading Estate * 55 Nottingham Road
 STAPLEFORD, NOTTINGHAM NG9 8AD ENGLAND U.K.
 PHONE: (44) 0115 939 1568 * FAX: (44) 0115 949 0615