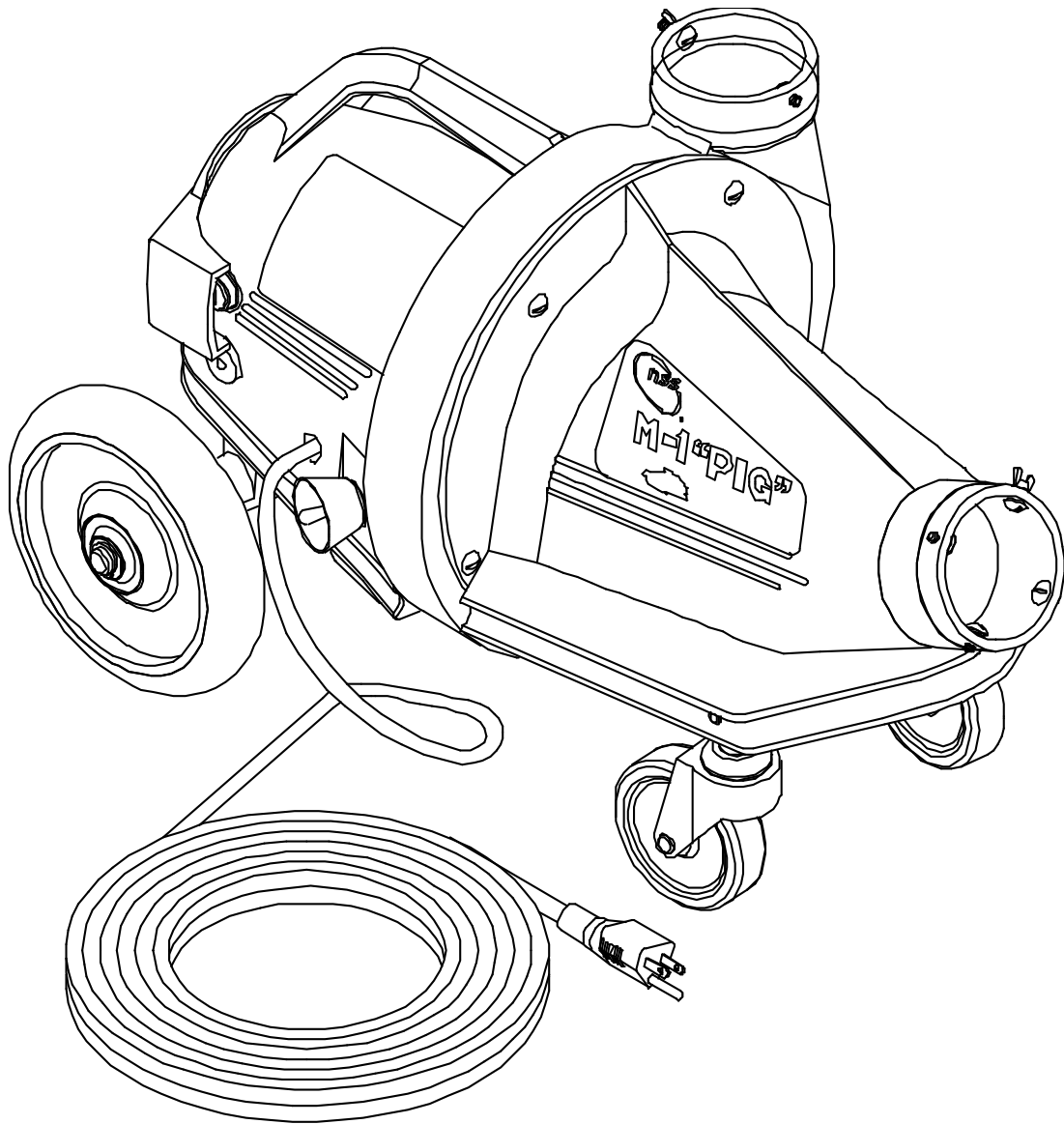


PARTS LIST

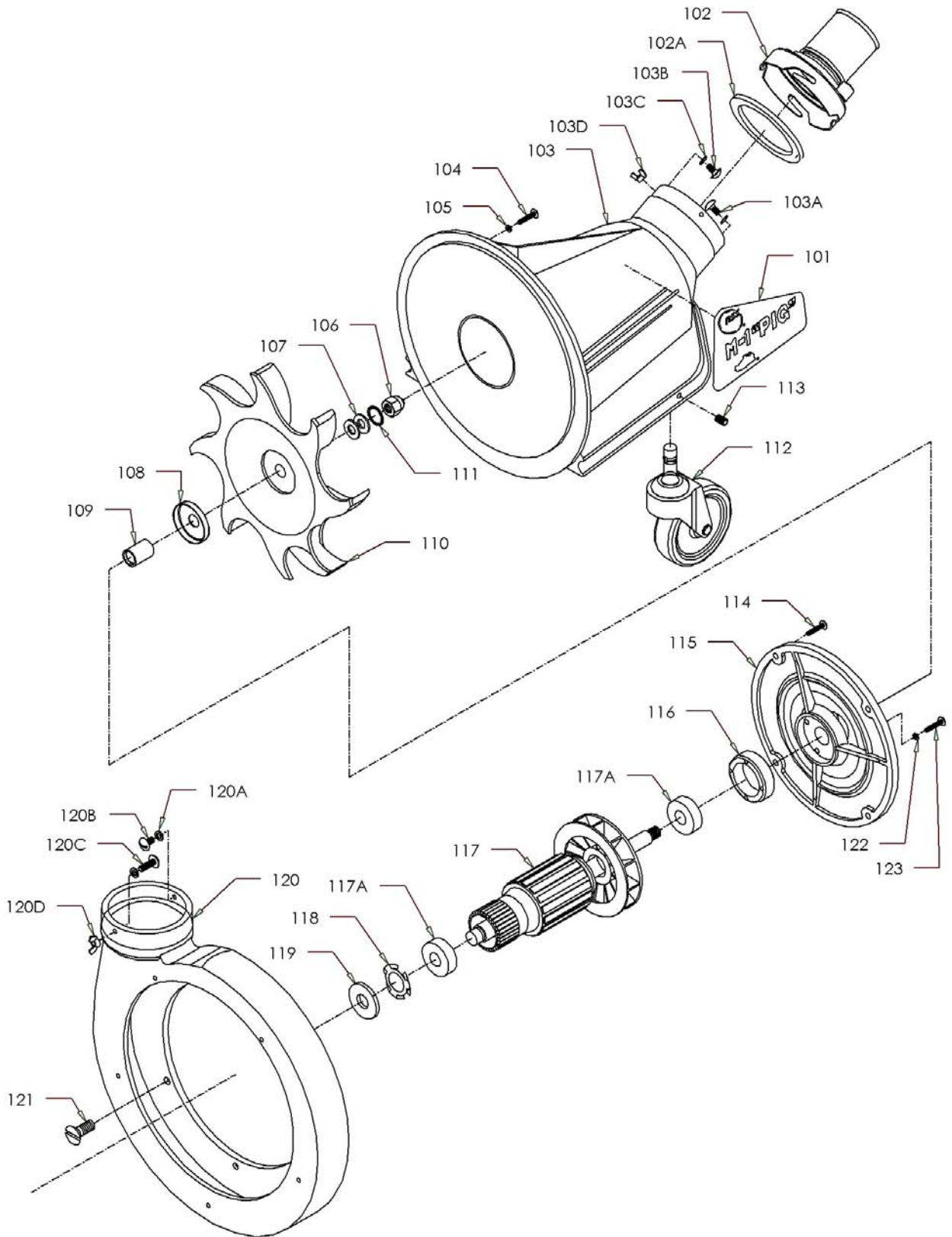
MODEL M-1 - PIG



FAN HOUSING ASSEMBLY

ITEM	PART NO.	DESCRIPTION	QTY
101	1090601	LABEL KIT - M-1 PIG	1
102	2590019	SWIVEL COUPLING ASSEMBLY - INCLUDES:	1
102A	2590111	HOSE COUPLING GASKET	1
103	1092519	SAFETY TRAP ASSEMBLY - INCLUDES:	1
103	1092511	SAFETY TRAP	1
103A	9120770	#10-32 X 5/8 ROUND HEAD PHILLIPS MACHINE SCREW –PK OF 10	3
103B	9120720	#10-32 X 3/8 ROUND HEAD PHILLIPS MACHINE SCREW – PK OF 10	1
103C	9120320	#10 SPLIT LOCK WASHER – PACK OF 10	4
103D	9120680	#10-32 WING NUT – PACK OF 2	1
104	9120440	#10-24 X 7/16 ROUND HEAD PHILLIPS MACHINE SCREW – PK OF 10	5
105	9120320	#10 SPLIT LOCK WASHER – PACK OF 10	5
106	1094791	3/8-24 ACORN NUT	1
107	9122465	.516 I.D. X .813 O.D. X .027/.030 THICK FLAT WASHER – PK OF 2	2
108	1094841	DUST CAP	1
109	1094871	DUST SPACER TUBE	1
110	1094642	SUCTION FAN	1
111	9121965	3/8 INTERNAL STAR LOCK WASHER – PACK OF 5	1
112	0290011	CASTER	2
113	9120850	1/4-20 X 5/16 SET SCREW - KNURL POINT – PACK OF 2	2
114	9120540	#10-24 X 1/2 FLAT HEAD PHILLIPS MACHINE SCREW – PACK OF 10	4
115	1094532	END PLATE	1
116	1094702	BEARING HOUSING	1
117	1098909	ARMATURE ASSEMBLY - INCLUDES:	1
117	1098741	ARMATURE AND VENT FAN	1
117A	1099921	BEARING	2
118	3490731	1 1/16 I.D. X 1 1/4 O.D. FINGERED SPRING WASHER	1
119	9122467	.531 I.D. X 1.25 O.D. X .031 THICK FLAT WASHER – PACK OF 2	1
120	1092529	FAN HOOD ASSEMBLY - INCLUDES:	1
120	1092521	FAN HOOD	1
120A	9120320	#10 SPLIT LOCK WASHER – PACK OF 10	2
120B	9120720	#10-32 X 3/8 ROUND HEAD PHILLIPS MACHINE SCREW – PK OF 10	1
120C	9120770	#10-32 X 5/8 ROUND HEAD PHILLIPS MACHINE SCREW – PK OF 10	1
120D	9120680	#10-32 WING NUT – PACK OF 2	1
121	9120540	#10-24 X 1/2 FLAT HEAD PHILLIPS MACHINE SCREW – PK OF 10	4
122	9120200	#8 SPLIT LOCK WASHER – PACK OF 10	4
123	9120260	#8-32 X 3/4 ROUND HEAD PHILLIPS MACHINE SCREW – PK OF 10	4

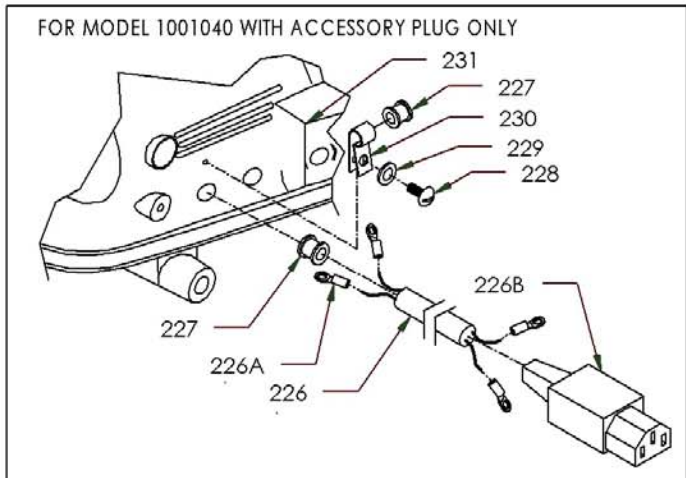
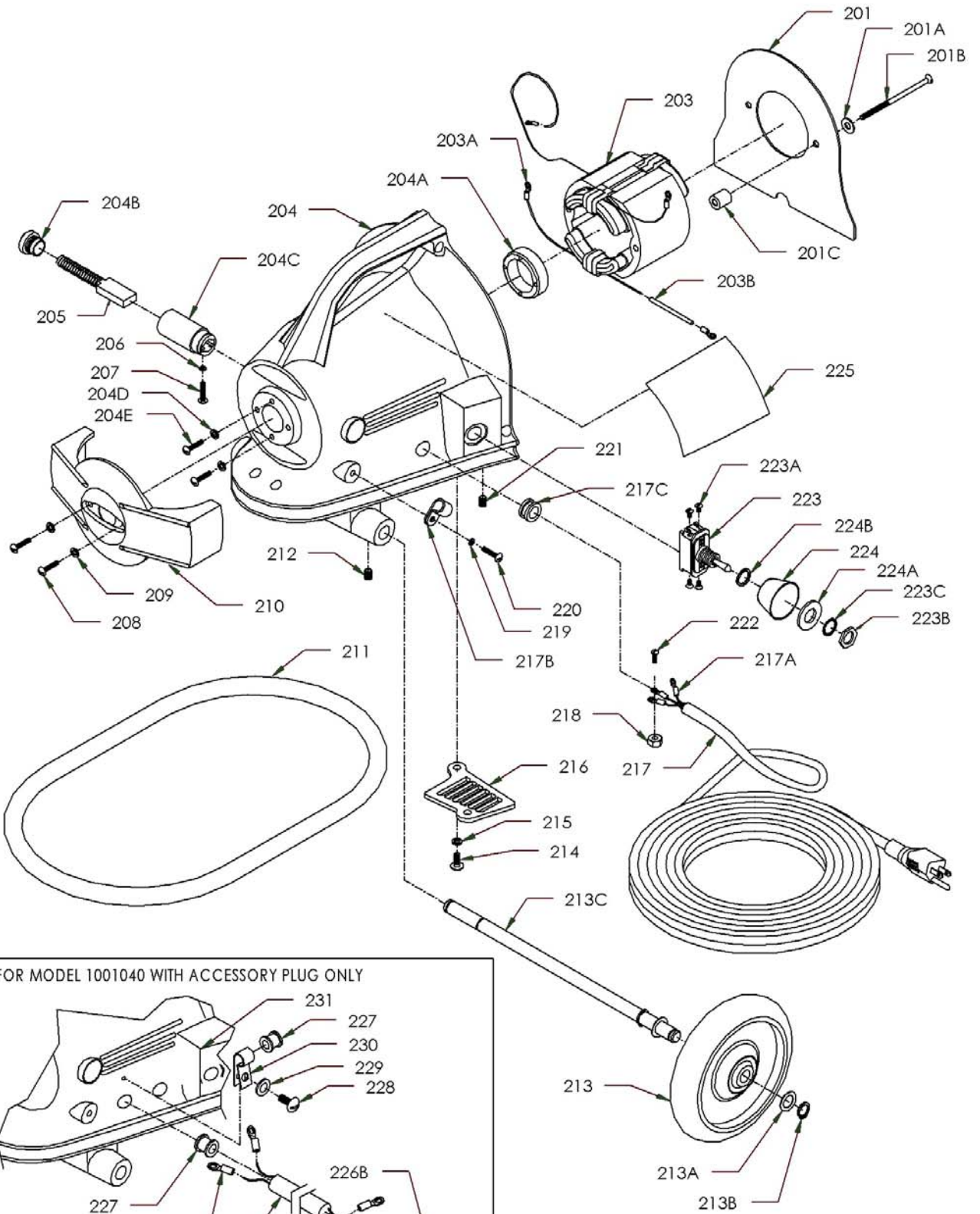
FAN HOUSING ASSEMBLY



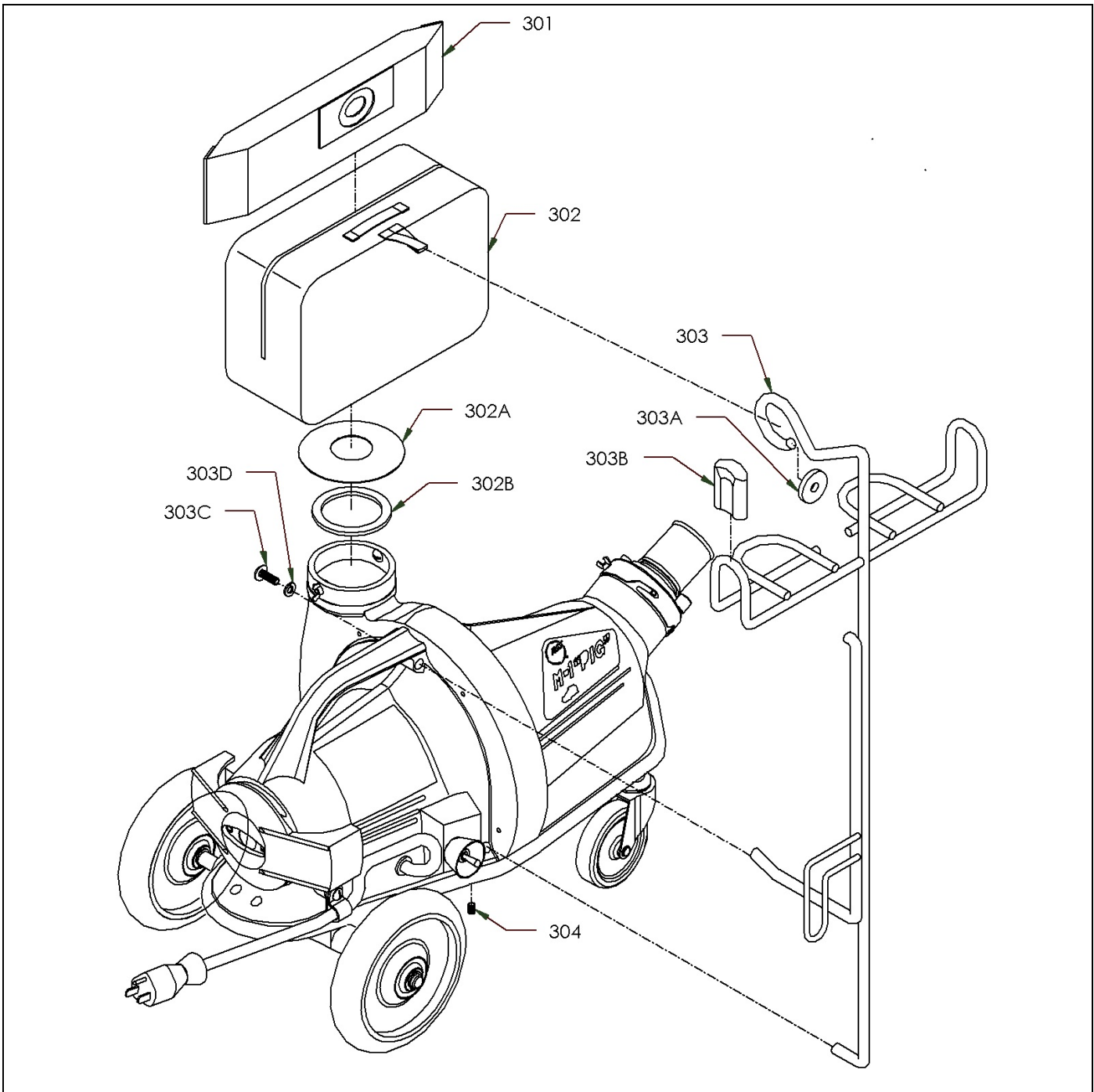
MOTOR HOUSING ASSEMBLY

ITEM	PART	DESCRIPTION	QTY
201	1099969	BAFFLE ASSEMBLY - INCLUDES:	1
201	1099961	BAFFLE PLATE	1
201A	9120207	3/16 I.D. X 1/2 O.D. EYELET – BRASS – PACK OF 2	2
201B	3490151	1/4-20 X 3 1/2 FIELD SCREW	2
201C	3490231	SPACER – BAFFLE	2
203	1098751	FIELD CORE AND COIL - 115 VOLT - INCLUDES:	1
203A	0692231	#6 RING TERMINAL 14-16 AWG	4
203B	1099767	INSULATION TUBING	2
204	1098789	MOTOR FRAME AND BRUSH HOLDER ASSEMBLY - INCLUDES:	1
204	1098781	MOTOR FRAME	1
204A	1094702	BEARING HOUSING	1
204B	1094681	CAP - BRUSH HOLDER	2
204C	1094672	BRUSH HOLDER	2
204D	9120200	#8 SPLIT LOCK WASHER – PACK OF 10	2
204E	9120260	#8-32 X 3/4 ROUND HEAD PHILLIPS MACHINE SCREW – PACK OF 10	2
205	1094691	CARBON BRUSH	2
206	9120030	#6 SPLIT LOCK WASHER – PACK OF 10	2
207	9120060	#6-32 X 5/16 PAN HEAD SLOT MACHINE SCREW – BRASS – PACK OF 10	2
208	9120280	#8-32 X 1 ROUND HEAD PHILLIPS MACHINE SCREW – PACK OF 10	2
209	9120200	#8 SPLIT LOCK WASHER – PACK OF 10	2
210	1092253	MOTOR CAP	1
211	1092671	BUMPER – VINYL	1
212	9120850	1/4-20 X 5/16 SET SCREW - KNURL POINT – PACK OF 2	1
213	1092309	M-1 WHEEL KIT, 2 WHEELS & AXLE - INCLUDES:	1
213	3392991	WHEEL - 6 O.D. X 1.25 WIDE X 1/2 I.D.	2
213A	9122465	.516 I.D. X .813 O.D. X .027/.030 THICK FLAT WASHER - PACK OF 2	4
213B	9122496	RETAINING RING - PACK OF 8	4
213C	1092311	AXLE, MODEL M-1	1
214	9120440	#10-24 X 7/16 ROUND HEAD PHILLIPS MACHINE SCREW – PACK OF 10	2
215	9120320	#10 SPLIT LOCK WASHER – PACK OF 10	2
216	1099951	GRATE	1
217	1091119	35' CORD 16-3 - ASSEMBLY - INCLUDES:	1
217	1091111	35' CORD - 16-3 - INCLUDES:	1
217A	—	#10 RING TERMINAL	3
217B	5294201	CABLE CLAMP – NYLON	2
217C	1091101	11/16 O.D. X 7/16 I.D. X 1/2 GROMMET	1
218	9120360	#10-24 HEX NUT WITH STAR LOCK WASHER – PACK OF 10	1
219	9120320	#10 SPLIT LOCK WASHER – PACK OF 10	2
220	9120420	#10-24 X 5/8 ROUND HEAD PHILLIPS MACHINE SCREW – PACK OF 10	2
221	9121120	1/4-20 X 5/8 SET SCREW - KNURL POINT – PACK OF 5	1
222	9120580	#10-24 X 5/8 ROUND HEAD SLOT MACHINE SCREW – BRASS – PACK OF 10	1
223	0294511	SWITCH, ON / OFF INCLUDES:	1
223A	9120223	#8-32 X 1/4 PAN HEAD PHILLIPS MACHINE SCREW – PACK OF 5	4
223B	0798941	9/16 HEX NUT	1
223C	9121975	1/2 INTERNAL STAR LOCK WASHER – PACK OF 5	1
224	1091059	SWITCH GUARD ASSEMBLY - INCLUDES:	1
224	1091051	TOGGLE SWITCH GUARD	1
224A	9122465	.516 I.D. X .813 O.D. X .027/.030 THICK FLAT WASHER – PACK OF 2	1
224B	1090981	SWITCH GUARD SPACER	1
225	1090601	M-1 LABEL KIT	1
226	1090949	ACCESSORY CORD WITH PLUG AND TERMINALS - INCLUDES:	1
226	8596290	CORD - 18-2 - 1'	1
226A	0692231	#6 TERMINAL	4
226B	1090951	FEMALE PLUG	1
227	3490451	9/16 O.D. X 5/16 I.D. X 1/2 GROMMET	2
228	9120410	#10-24 X 1/2 ROUND HEAD MACHINE SCREW – PACK OF 10	1
229	9120320	#10 SPLIT LOCK WASHER – PACK OF 10	1
230	1091221	CABLE CLAMP	1
231	1090853	MOTOR FRAME WITH ACCESSORY HOLE	1

MOTOR HOUSING ASSEMBLY



BAG AND ROD ASSEMBLY



ITEM	PART	DESCRIPTION	QTY
301	1098861	PAPER BAG - 6 PACK	1
302	1093011	UNIVERSAL FILTER BAG ASSEMBLY - INCLUDES:	1
302A	1099741	BAG PROTECTOR	1
302B	2590111	HOSE COUPLING GASKET	1
303	1093609	BAG ROD ASSEMBLY - INCLUDES:	1
	-----	BAG ROD	1
303A	1090961	RUBBER WASHER	1
303B	1090971	PROTECTOR - BAG ROD	2
303C	9121010	1/4-20 X 3/4 TRUSS HEAD PHILLIPS MACHINE SCREW - PACK OF 5	1
303D	9120880	1/4 SPLIT LOCK WASHER - PACK OF 10	1
304	9121120	1/4-20 X 5/8 SET SCREW - KNURL POINT - PACK OF 5	1

ACCESSORIES

MODEL M-1 FILTER BAGS

1093011 Model M-1 Universal Black Filter Bag
 1098861 Paper Filter Bags (6 Pack)

SATELLITE BUMPER

1094889 Satellite Bumper

EXTENSION TUBES AND ACCESSORIES

2291109 Hi-Up Extension Tube Set
 2291119 5' Extension Tube With Sleeve
 2291129 5' Extension Tube With Elbow

TOOLS - CREVICE FOR 1 1/2" HOSE

3092281 12" Plastic Crevice Tool
 3093191 12" Aluminum Crevice Tool
 3092311 28" Crevice Tool – Plastic
 3092323 28" Aluminum Crevice Tool

UPHOLSTERY TOOLS - FOR USE WITH 2291211 CONNECTOR

3090109 4" Upholstery Tool
 3090209 7" Upholstery Tool

TOOLS - BARE FLOOR, DRY PICK-UP, 1 1/2" WAND

3091259 12" Gulper Tool, Cast Aluminum Shoe
 3091279 12" Gulper Tool, Fabric Shoe

3091299 14" Tool With Fiber Shoes
 3091349 14" Tool, Fiber Front / Bristle Rear
 3091369 14" Tool With Felt Shoes
 3091389 14" Tool With Nylon Bristles
 3091409 14" Tool, Felt Front / Bristle Rear

BRUSHES - WALL, PIPE, SHELF FOR USE WITH 2291211 CONNECTOR

3091769 9" Wall Brush With Nylon Bristle
 3091859 3" Round Brush With Nylon Bristles
 3091989 7" Shelf Brush With 1/2" Bristle

TOOLS - CARPET, 1 1/2" WAND

3091039 12" Tool With Aluminum Shoe
 3093209 12" Tool With Milled Aluminum Shoes
 3092139 12" Tool With Manganese Shoes
 3091079 12" Tool With Milled Manganese Shoes

3097009 12" Tool With Lint-Lifter Shoes
 3097959 12" Lint Tool With Bristle Insert
 3097079 12" Tool With Plain Shoes
 3097099 16" Tool With Plain Shoes
 3097109 16" Tool With Lint-Lifter Shoes

TOOL KITS

1094999 Floor Tools and Lite Hi UP
 1094941 Wand Extension
 1094951 Wand Adaptor
 1094961 Round Brush
 1094971 16" Hard Floor Tool
 1094981 Telescopic Wand
 2290409 1.5" Aluminum Tube Handle
 2595101 10 Ft. Super Flex Hose
 3091659 Tool - 18" with Bristle Shoe
 3092311 1.5 x 28" Plastic Crevice Tool
 3097109 16" Lint Lifter
 2590019 1 1/2" Swiveled Hose Coupling (includes)
 2590111 Hose Coupling Gasket

HOSES

2595071 1 1/2" X 7' Super Flex Hose
 2595101 1 1/2" X 10' Super Flex Hose

POWER WAND FOR USE WITH M-1 MODEL 1001040

1601604 16" Power Wand 115 Volt

WANDS

2290209 1 1/2" 2-Bend, Steel Wand
 2290309 1 1/2" 2-Bend, Aluminum, Short Handle Wand
 2290409 1 1/2" 2-Bend, Aluminum Wand

TOOL ADAPTORS, HOSE COUPLINGS AND CUFFS

2590019 1 1/2" Swiveled Hose Coupling (M and Sh)
 2590111 Gasket, Hose Couplings - 2590019, 2590109
 2291211 5" Aluminum Connector

For Heavy Duty Pick-Up Of Large Objects On Concrete
 For General Purpose Pick-Up Of Large Objects
 (Paper, Popcorn, Etc.)
 For Concrete Cleaning Or Other Rough Abrasive Floors
 For Warehouse Floors
 For Polished Or Waxed Floors
 Loosens Dust And Dirt
 Loosens Dust And Dirt On Waxed Or Polished Floors

For Cleaning Walls, Ceilings And Draperies
 For Blinds And General Dusting
 For General Shelf Dusting

Lightweight, Heavy Duty, General Purpose
 For Close Cut Pile, Provides Combing Action
 For Greater Air Flow
 Heavyweight, Allows Deeper Penetration In To Carpet Nap
 For Close Cut Pile, Provides Combing Action
 For Greater Air Flow
 For Cut Pile Carpet
 For Commercial Type, No Pile Carpet
 For Loop Or Deep Pile Carpet
 For Loop Or Deep Pile Carpet
 For Cut Pile Carpet

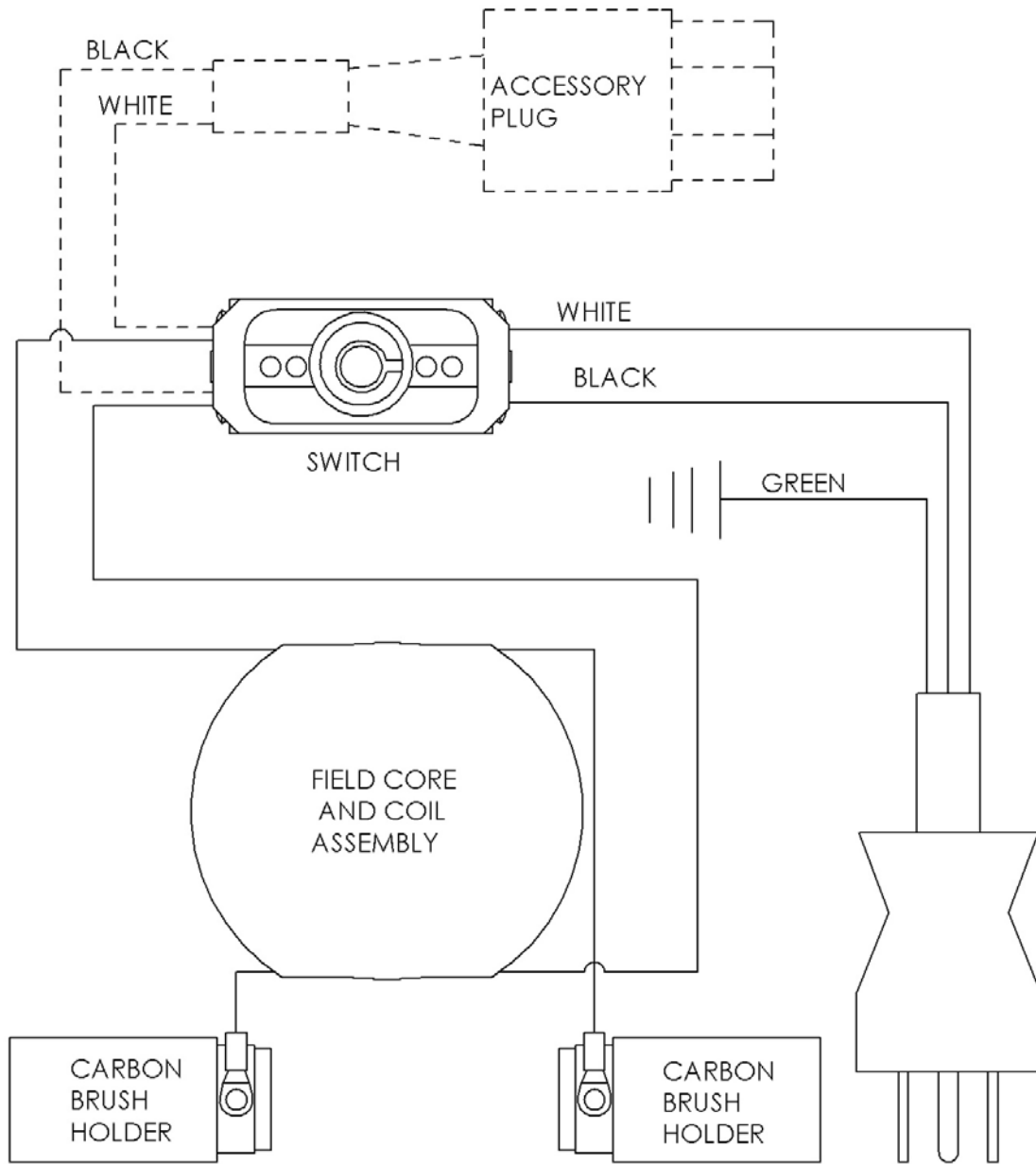
1095009 Light Weight Tool Kit - includes:
 1094941 Wand Extension
 1094951 Wand Adaptor
 1094961 Round Brush
 1094971 16" Hard Floor Tool
 1094981 Telescopic Wand
 2595101 10 Ft. Super Flex Hose

TOOLS

1092701 #2 Phillips screwdriver

WIRING DIAGRAM

NOTE: DASHED LINES ARE FOR MODELS WITH THE ACCESSORY PLUG ONLY



NSS[®] Enterprises, Inc.

3115 Frenchmens Road
Toledo, Ohio 43607
PHONE (419) 531-2121
FAX (419) 531-3761

mailus@nss.com
www.nss.com