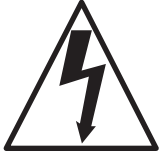
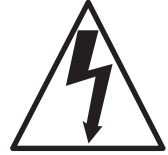


PREDATOR CXC150

IMPORTANT SAFETY INSTRUCTIONS



READ AND UNDERSTAND ALL INSTRUCTIONS
BEFORE OPERATING OR SERVICING MACHINE



DANGER!

Failure to Observe These Instructions Can Cause Personal Injury
to Machine Operator, By-standers or Possible Machine Damage.

- **NEVER** attempt to service or perform maintenance functions while machine is plugged into an electrical outlet.
- **ALWAYS** unplug machine before attempting to service the motorized brush attachment.
- **NEVER** operate in standing water. **NEVER** expose to rain. **ALWAYS** store indoors.
- **NEVER** overfill recovery tank or allow water to enter vacuum standpipe. This will cause damage to the vacuum motor and possible electrocution.
- **NEVER** operate machine with a cut, abraded or taped cord.
- **NEVER** operate machine with a broken grounding blade on the plug.
- **ALWAYS** replace the entire cord when the cord or plug is damaged in any manner.
- **NEVER** handle the machine, cord or plug with wet hands.
- **NEVER** drop or insert any object into any machine opening.
- **ALWAYS** keep face, fingers, hair or any other body part, or loose clothing away from any machine opening or any moving part, particularly the revolving brush.
- **NEVER** leave the machine unattended when plugged in. Unplug the machine from the electrical outlet when not in use.
- **ALWAYS** turn the machine off before unplugging it from the electrical outlet.
- **NEVER** operate this machine in the presence of flammable or combustible liquids or fumes.
- When any electrical motor, switch, cord or plug service is required, maintenance should only be done by an authorized service station, an electrician or other qualified persons.
- **NEVER** operate this machine if it is not working properly, if it has been dropped, damaged, exposed to weather, or dropped into water. Return the machine to a service center for examination and repair.
- **NEVER** operate this machine with any air opening blocked. Keep all air openings free of dust, lint, hair, ect.
- **NEVER** operate this machine without solution tank filter screens or vacuum standpipe filter screen in place or if they are clogged. Clean all filter screens after every use.
- **ALWAYS** store this machine indoors. Protect it from rain or snow.
- **NEVER** spray the top of the machine with liquids.
- **DO NOT** pull or carry this machine by the electrical supply cord, use the cord as a handle, close a door on the cord, pull the cord around sharp edges or corners, or expose to heated surfaces.
- **NEVER** disconnect the plug by pulling on the cord. To disconnect the cord from the outlet grasp the plug, not the cord.
- **ALWAYS** unplug this machine before attempting to service.
- **ALWAYS** use a defoamer which will prevent a buildup of foam in the recovery tank. If a defoamer is not used, the motor can be damaged from shampoo being pulled into the vacuum motor.

SAVE THESE INSTRUCTIONS



INFORMATION & OPERATING INSTRUCTIONS

**DO NOT OPERATE MACHINE UNTIL YOU HAVE READ THIS SECTION
IMPROPER USE OF THE PREDATOR CXC150 WILL VOID THE WARRANTY**

1. Always use a defoamer when foaming occurs to prevent vacuum motor damage.
2. To keep fitting and lines from damage during freezing conditions, use an anti-freeze in the pump and heater or keep equipment inside heated areas.
3. Do not let pump run dry.
4. Use neutral pH, water-based products only - NO SOLVENTS!

INSPECTION:

Carefully unpack and inspect the PREDATOR CXC150 for shipping damage. Each unit is tested and inspected before shipment. Any damage incurred is the responsibility of the carrier, who should be notified immediately.

CLEANING SOLUTIONS:

We recommend liquid cleaning chemicals. Powders may be used, but unless mixed very thoroughly, they could cause build-up in the lines, pump, quick-disconnects, etc. A pH of 7-9 is strongly recommended to avoid premature pump wear, which would void the warranty.

MAINTENANCE:

For optimum performance, flush the machine with clear water at the end of each working day. Once a month, minimum, run a flushing compound through the machine to cut any alkaline build-up that may have formed.

Lubricate wheels, casters and hinges as needed. The pump and vacuum motors do not require any maintenance.

The body can be cleaned with a general all-purpose detergent and protected with a silicone type product like Armor All®. The quick-disconnects should be lubricated with silicone, also.

Prior to each job, inspect the holding tank filter and the recovery tank float filter for hair and dirt. The drain valve should also be inspected regularly and kept free of any debris or build-up.

SET-UP:

Fill the holding tank with clear water and the detergent of your choice. Mix well. The addition of warm or hot water to the holding tank would be a plus factor.

1. Plug in the cord. (This cord runs the pump and vacuums).
2. Turn on the pump and spray through the cleaning tool for a few seconds to fill the lines with solution.

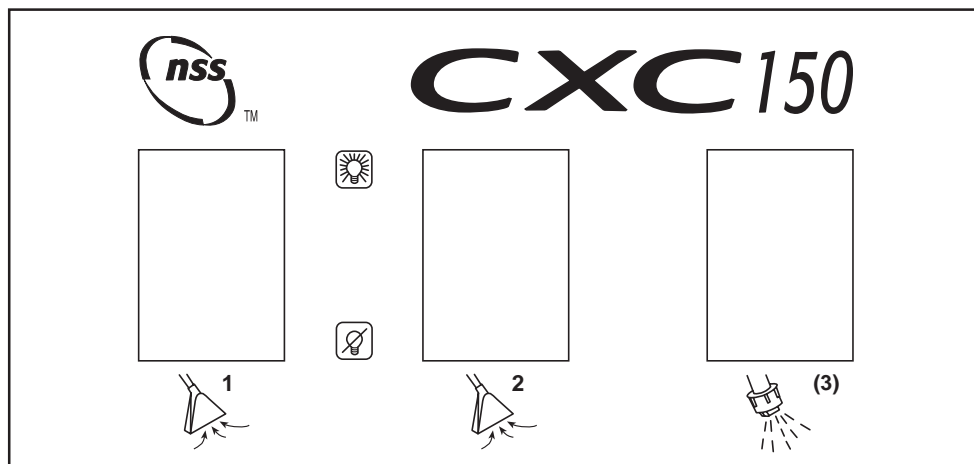
BALL FLOAT VACUUM SHUTOFF:

When the recovery tank is full, the ball float system will shut off the incoming air flow and prevent water from entering the vac motors. The float will not work in heavy foam. Always use a defoamer to prevent overflow. Once the float is activated, the vac switches must be turned off and the recovery tank emptied.

CAUTION: To avoid vac motor damage, always make sure the filter is clean and the float travels freely before turning on the machine. Use a defoamer whenever foam is present. Water damage to the vac motors is not covered by the warranty.

SAFETY PRECAUTIONS:

All extension cords must have a rating of at least 12/3 (#12 cord). Extension cords should be no longer than 50 feet. Replace the plug immediately if the ground prong becomes damaged or is broken off. The ground is necessary for safety.



VACUUM SWITCH (1 & 2): Each switch turns on one vac motor. Turn both switches on for maximum lift. The vac switches illuminate when turned on.

PUMP SWITCH (3): This switch will illuminate when the pump is on.

PREDATOR CXC150

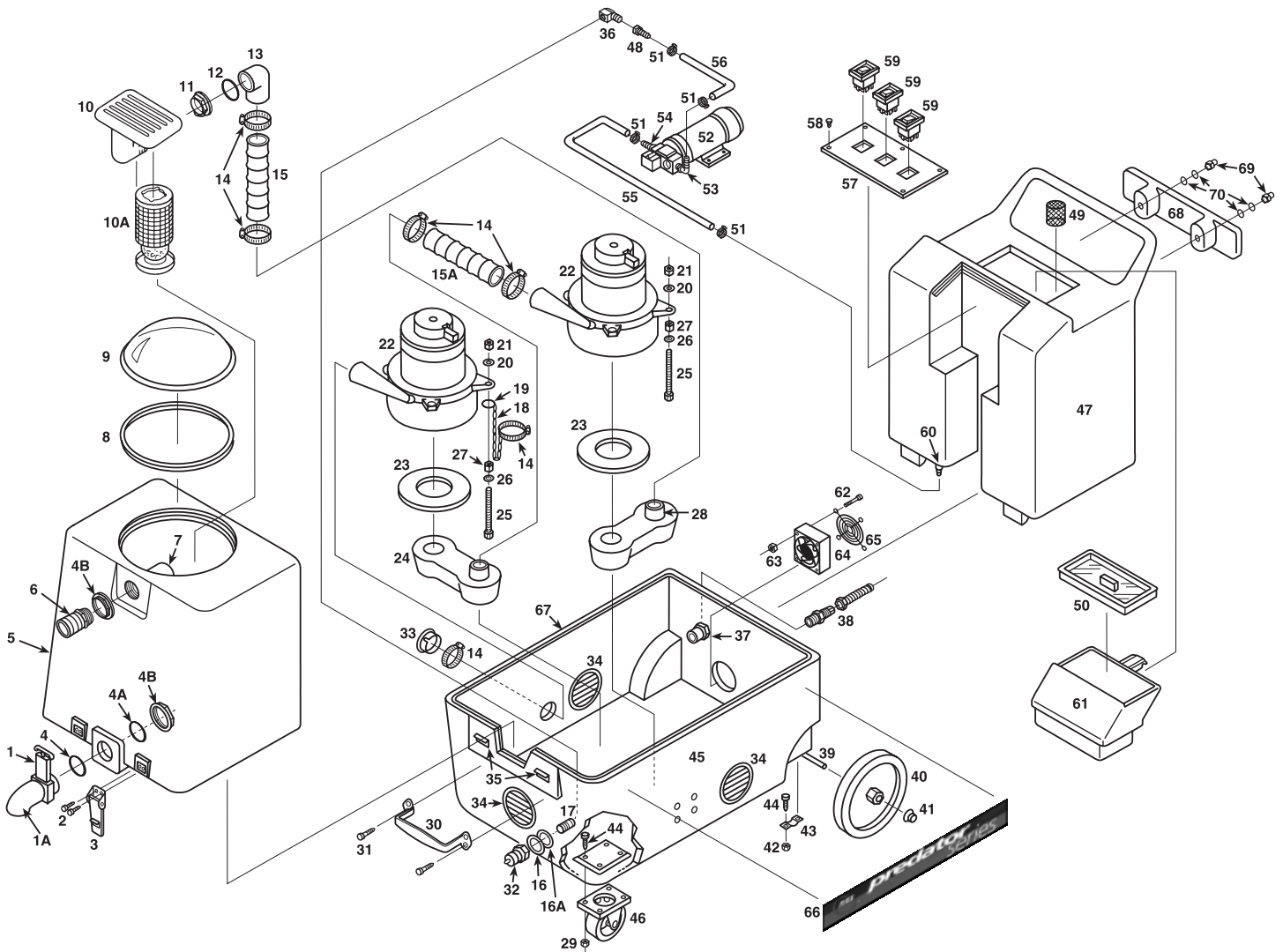
PARTS LIST

ITEM #	PART #	DESCRIPTION	ITEM #	PART #	DESCRIPTION
#1	4091231	Drain Gate	#38	4091151	Cord Retainer w/Strain Relief
#1A	4093041	Spout, for Drain Gate	#39	4093211	Axle, 1/2" X 17-1/2"
#2	4090581	Screw, 10-32 X 5/8, S/S	#40	4091361	Wheel, 8 inch, non-marking
#3	4091251	Latch	#41	4091021	Axle Cap
#4	4091161	O-Ring, Thin	#42	9120900	1/4 Hex Nut, Ny-Lok, ZP
#4A	4091171	O-Ring, Thick	#43	4091141	Axle Bracket
#4B	4090701	Nut, Cast Aluminum	#44	4090611	1/4-20 X 3/4" Hex Bolt, ZP
#5	4093191	Vacuum Tank, Black, specify model	#45	4094041	Base, Black (specify model)
#6	4091241	Hose Barb, 1-1/2", plastic	#46	4093051	Castor, 4" swivel
#7	4091291	PVC Elbow, 1-1/2"	#47	4093181	Holding Tank, Black (specify model)
#8	4091391	Gasket, for Vacuum Dome	#48	4092031	Hose Barb, Brass
#9	4091581	Vacuum Dome	#49	4091191	Filter, Pump Inlet, 40 mesh, S/S
#10	4091571	Vac Shut-off, manifold Assy.	#50	4093201	Lid, with label (no hinges)
#10A	4091501	Ball & Cage	#51	4091131	Hose Clamp, 3/8 - 7/8
#11	4090701	Nut, Cast Aluminum	#52	4093071	Pump, (no fittings), 150 PSI
#12	4091171	O-Ring, Thick	#53	4091101	Hose Barb & Elbow, Plastic
#13	4091291	PVC Elbow, 1-1/2"	#54	4093021	Hose Barb, Straight, Plastic
#14	4091121	Hose Clamp, size 28	#55	4093121	Hose, Pump Inlet, 3/8" X 13"
#15	4093131	Hose, Rubber, 2" X 24"	#56	4091541	Hose, Pump Outlet, 3/8" X 48"
#15A	4093141	Hose, Rubber, 2" X 13"	#57	4090091	Switch Plate (empty), CXH150
#16	4090691	Washer, Vulcanized Fiber	#58	4090511	#4 X 3/8" Screw, Panhead, S/S
#16A	9122470	Washer, Brass, 1"OD X9/16ID X 1/16"	#59	4091041	Switch, SPST, Covered, w/light
#17	4093091	Nipple, 1/4 p.t., S/S	#60	4093011	Hose Barb
#17A	4091611	Bushing, Vulcanized Fiber	#61	4093151	Funnel, Black
#18	4093171	Stop Chain, 12"	#62	4090541	6-32 X 2" Screw, Panhead, S/S
#19	4091181	Split Ring	#63	4090531	6-32 Hex Nut with Ny-Lok
#20	9120930	3/16 Flat Washer, ZP	#64	4091441	Cooling Fan, 100 CFM
#21	9120900	1/4-20 Hex Nut, w/Ny-Lok, ZP	#65	4091451	Fan Guard
#22	4091211	Vacuum Motor, 2-stage	#66	4090071	Label, NSS
#23	4091431	Gasket, Vac Motor	#67	4091611	Gasket
#24	4091651	Manifold, Vacuum, #3 or #4	#68	4091521	Cord Wrap, Black
#25	4090631	1/4-20 X 5" Hex Bolt	#69	4090671	3/8 Acorn Nut, Nickle Plate
#26	9120930	3/16 Flat Washer, ZP	#70	1391161	Washer, Plastic 5/8OD X 3/8ID X 1/16
#27	9120920	1/4 Hex Nut, Finish			
#28	4091651	Manifold, Vacuum, #3 or #4			
#29	9120900	1/4 Hex Nut, w/Ny-Lok, ZP			
#30	4091401	Chrome Handle			
#31	4090601	1/4-20 x 3/4 Screw, Flathead Philips			
#32	4091031	Quick Disconnect, male, 1/4 p.t.			
#33	4091411	Exhaust Flange			
#34	4091311	Louver, 3" (includes 3 screws)			
#35	4091261	Latch Strike			
#36	4091081	Elbow, Brass, 1/4 pt 90°			
#37	4091331	PVC Reducer			

MISCELLANEOUS ASSEMBLIES/PARTS	
4091461*	Thermistor Control Kit w/Potentiometer & Probe
4091471*	Thermistor Control Kit w/Potentiometer, Probe & Cutout
4093161	Drain Gate Assembly, complete with O-Ring & Nut

(NOTE: Items in kits not sold separately.)

PREDATOR CXC150



COMMON STAINS AND CLEANING TREATMENTS

TREATMENT METHODS

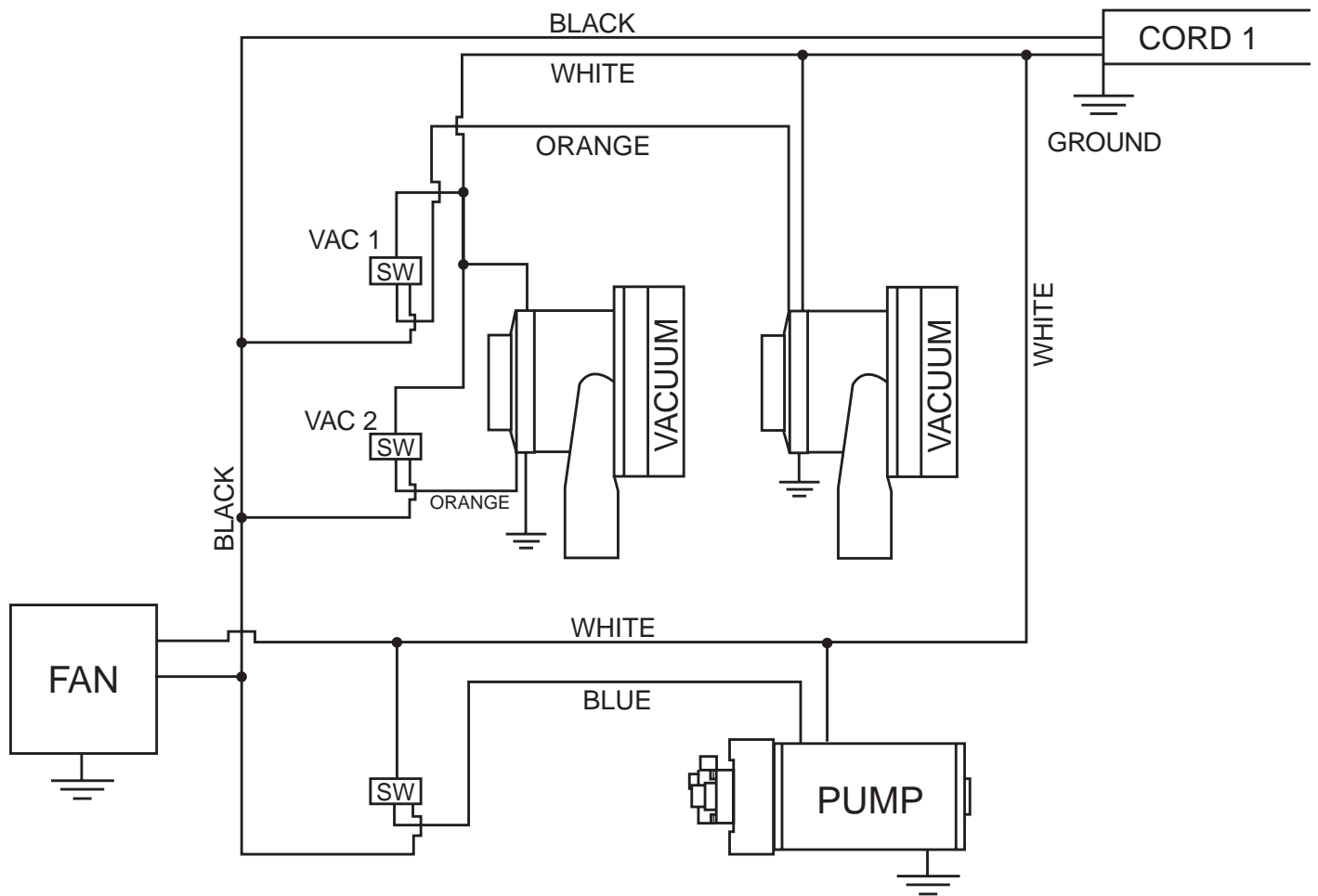
- First: Remove excess material by blotting to absorb liquids, or by scraping with a dull edge (butter knife) if a solid.
- Second: Clean the remaining stain as directed by the chart below. Always follow the direction on the container. Apply the cleaning material directly to the stain (avoid over wetting the carpet or upholstery), then remove the loosened stain material with a white absorbent cloth or tissue.
- Third: When the carpet is dry, gently brush the carpet pile to restore its appearance.
- Note: Treat unknown stains with a volatile solvent first and follow with other agents as required. If you are uncertain of the effect of the cleaning agent on the carpet fiber or dye, test on an inconspicuous area first.

STAIN TYPE

TREATMENT MATERIAL

Asphalt	Volatile solvent/detergent
Beer	Liquid detergent, White vinegar
Berry stain	Liquid detergent, Ammonia 3-6%, Water
Bleach	Liquid detergent, Water
Blood (dried)	Warm detergent, Ammonia 3-6%, Water
Blood (wet)	Liquid detergent, Water
Butter	Volatile solvent
Catsup or Mustard	Liquid detergent
Chewing gum	Volatile solvent
Chocolate	Liquid detergent, Ammonia water
Coffee	Detergent, White vinegar, Volatile solvent
Cola drink	Liquid detergent
Creme de Menthe (green)	Liquid detergent
Egg (raw)	Liquid detergent
Food dye	Liquid detergent, Water
Furniture dye or polish	Paint/Oil/Grease remover, Detergent
Gravy	Liquid detergent
Lipstick	Paint/Oil/Grease remover
Mascara	Paint remover, Volatile solvent, Detergent, Water
Milk	Liquid detergent
Orange drink	Liquid detergent, Water
Shoe polish	Heated iron into clean towel, Volatile solvent
Tea	Liquid detergent
Tomato Juice	Liquid detergent
Urine	Liquid detergent, Water
Vomit	Warm detergent, Water, White vinegar
Wine	Liquid detergent, Ammonia 3-6%, Water, Vinegar

PREDATOR CXC150 WIRING DIAGRAM 120V & 240V





™

NSS ENTERPRISES, INC.

3115 Frenchmens Road, Toledo, Ohio 43607
PHONE: 419-531-3761 ■ FAX: 419-531-3761

NSS® Enterprises, Inc. European Distribution Centre
Unit II, Pinfold Trading Estate 55 Nottingham Road
STAPLEFORD, NOTTINGHAM NG9 8AD ENGLAND U.K.