



The National Super Service Company
3115 Frenchmens Road
Toledo, Ohio 43607-2958
419/531-2121

IMPORTANT SAFETY INSTRUCTIONS

SAVE THESE INSTRUCTIONS

READ AND UNDERSTAND ALL INSTRUCTIONS
BEFORE OPERATING MACHINE.

THIS MACHINE IS INTENDED FOR COMMERCIAL USE ONLY



PONY 8SC CARPET EXTRACTOR ILLUSTRATED PARTS LIST



DANGER! Failure To Observe These Instructions Can Cause Electrical Burn, Shock or Electrocution To Machine Operator or Bystanders.

- NEVER attempt to service or perform maintenance functions while machine is plugged into electrical outlet.
- ALWAYS unplug machine before attempting to service the motorized brush attachment.
- NEVER operate in standing water. NEVER expose to rain. ALWAYS store indoors.
- NEVER overfill recovery tank or allow water to enter vacuum standpipe. This will cause damage to the vacuum motor and possible electrocution.
- NEVER operate machine with a cut, abraded or taped cord.
- NEVER operate machine with a broken grounding blade on the plug.
- ALWAYS replace entire cord when cord or plug is damaged in any manner. See page 2 for Wiring Diagram.
- NEVER handle machine, cord or plug with wet hands.
- NEVER drop or insert any object into any machine opening.
- ALWAYS keep face, fingers, hair or any body part, or loose clothing away from any machine opening or moving part, particularly the revolving brush.
- NEVER leave machine unattended when plugged in. Unplug machine from electrical outlet when not in use.
- ALWAYS turn machine off before unplugging from electrical outlet.
- NEVER operate machine in the presence of flammable or combustible liquid or fumes.

WARNING! Failure to Observe These Instructions Can Cause Machine Damage and Possible Injury to Machine Operator or Bystanders.

When any electrical motor, switch, cord or plug service is required, maintenance should only be done by an authorized service station, an electrician or other qualified person.

Never operate machine if it is not working properly, if it has been dropped, damaged, exposed to weather, or dropped into water. Return machine to service center for examination and repair.

Never operate machine with any air opening blocked. Keep all air openings free of dust, lint, hair and the like.

Never operate machine without solution tank filter screens or vacuum standpipe filter screen in place or if clogged. Clean all filter screens after every use.

Always store machine indoors. Protect from rain or snow. Never spray top of machine with liquids.

Do not pull or carry machine by electrical supply cord, use cord as a handle, close door on cord, pull cord around sharp edges or corners or expose to heated surfaces.

Never disconnect plug by pulling on cord. To disconnect from outlet grasp the plug, not the cord.

This machine is equipped with a motorized brush attachment, never run attachment over power cord. (Pony Plus)

Always unplug machine before attempting to service the motorized brush attachment. (Pony Plus)

Always use a defoamer which will prevent a buildup of foam in the recovery tank. If a defoamer is not used, motor can be damaged from shampoo being pulled into the vacuum motor.

Grounding Instructions

This machine must be grounded. If it should malfunction or break down, grounding provides a path of least resistance for electric current to reduce the risk of electric shock. This machine is equipped with a cord having an equipment-grounding conductor and grounding plug. The plug must be plugged into an appropriate outlet that is properly installed and grounded in accordance with all local codes and ordinances.

FAILURE TO DO SO MAY CAUSE ELECTROCUTION due to improper connection of ground.

DANGER

Improper connection of the equipment grounding conductor can result in a risk of electric shock. Check with qualified electrician or service person if you are in doubt as to whether the outlet is properly grounded. Do not modify the plug provided with the machine - if it will not fit the outlet, have a proper outlet installed by a qualified electrician.

This machine is for use on a nominal 120-volt circuit and has a grounding plug that looks like the plug illustrated in figure A. (See figure A.)

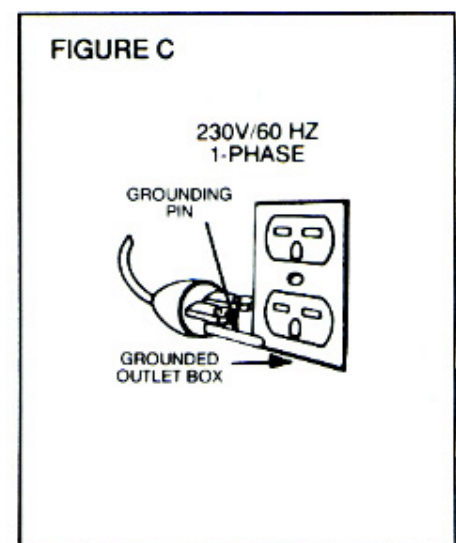
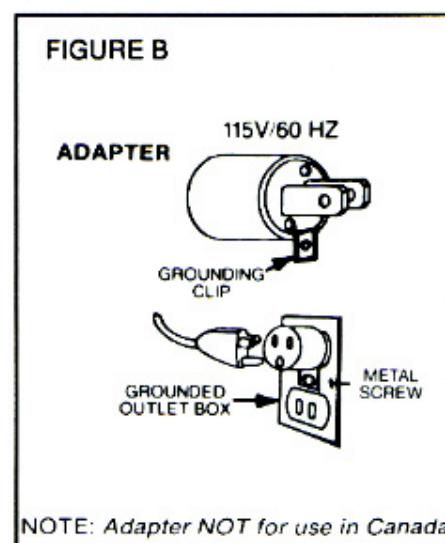
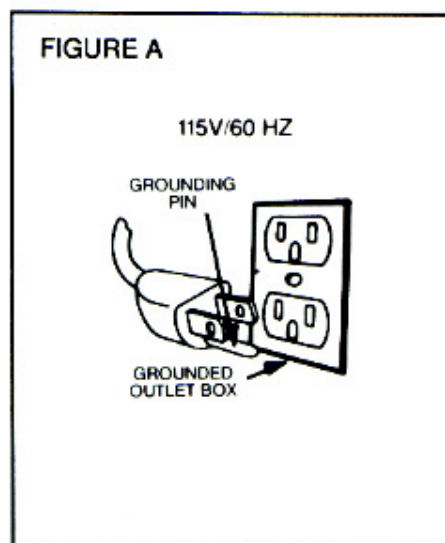
A temporary adapter that looks like the adapter illustrated in Figure B may be used to connect this plug to a 2-pole receptacle as shown below if a properly grounded outlet is not available.

The temporary adapter should be used only until a properly grounded outlet (Figure A) can be installed by a qualified electrician. The green colored rigid ear, lug, grounding clip or the like extending from the adapter must be connected to a permanent ground such as a properly grounded outlet box cover. Whenever the adapter is used, it must be held in place by a METAL screw.

Figure C Machine used on 230-volt may or may not have the grounding (earthed) plug attached to the cord. For U.S.A. 230-volt, 60HZ, the plug is already supplied with cord. For use outside the U.S.A, it may be up to the purchaser to have a proper grounding (earthed) plug attached.

Always use a properly grounded 3-wire extension cord which has male and female plugs. Use only 12-3 SJTWA type extension cords to a maximum length of 50 feet.

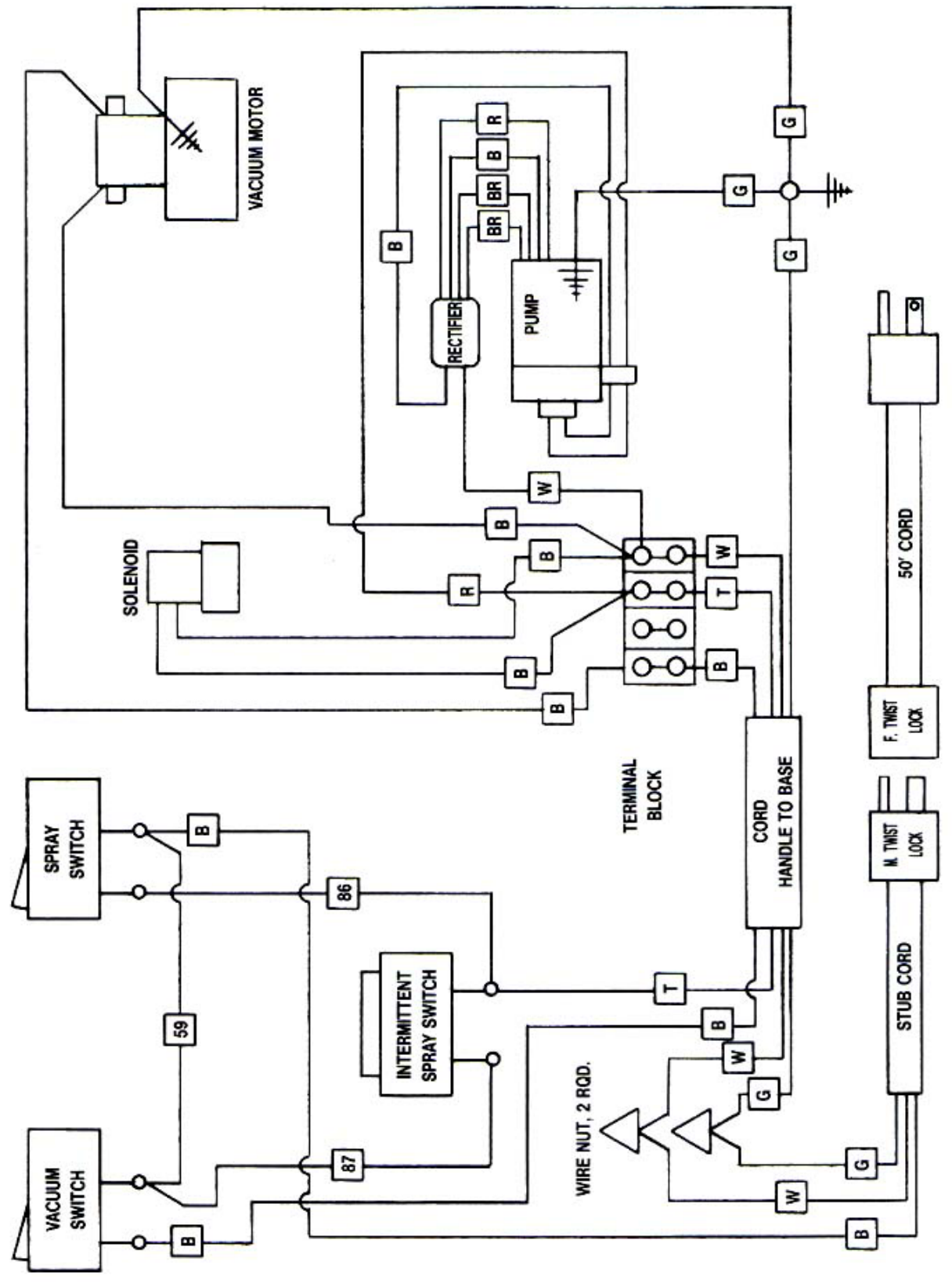
Check nameplate on machine to be sure voltage and cycle stated on nameplate is the same as voltage and cycle of electrical outlet. DO NOT attempt to plug a 115 volt machine into a 230 volt outlet or a 230 volt machine into a 115 volt outlet.



B - Black
 BR - Brown
 G - Green
 R - Red
 T - Tan
 W - White

Wire No. **Part No.** **Description**

- 59 27-222-1 Wire, spray switch to vacuum switch
- 86 33-073-1 Wire, spray switch to intermittent switch
- 87 33-074-1 Wire, vacuum switch to intermittent switch



PONY 8SC (NO BRUSH)

Item No.	Part No.	Description	Quantity
1	48-9-088-1	Clear dome, recovery tank	1
	48-9-088-9	Clear dome assembly, includes item #1, 1A, 2, 3, 4, 5	1
1A	48-9-012-1	Clear dome gasket	1
2	48-9-174-9	Deflector tube assembly	1
3	48-9-091-1	Adapter, 1½ MPT x 1½ MSLP	1
4	38-9-040-1	Gasket, 90° elbow	1
5	48-9-089-9	90° Elbow assembly, includes item #4	1
6	48-9-160-1	Vacuum hose, vacuum nozzle to clear dome	1
7	48-9-032-1	Pivot pin, float assembly	1
8	48-9-144-1	Spring cotter pin, float assembly	1
9	48-9-030-3	Float shut-off plate	1
10	48-9-013-9	Float shut-off assembly, includes item #11, 12, 13, 14	1
11	48-9-031-1	Float rod, float assembly	1
12	-----	¼ - 20 Brass hex nut	1
13	50-9-411-1	¼ Flat washer, stainless steel	1
14	48-9-161-1	Rubber well nut, float assembly	1
15	48-9-011-1	Filter cartridge screen, recovery tank	1
16	48-9-027-1	Vacuum tube, recovery tank	1
17	48-9-002-1	Recovery tank only	1
	48-9-002-9	Recovery tank assembly, includes item #7 through #26	1
18	48-9-026-1	NSS Horse decal, recovery tank	1
19	48-9-028-1	Vacuum tube adaptor, recovery tank	1
20	48-9-181-1	'O' ring seal, recovery tank	1
21	48-9-029-2	Hose barb, recovery tank	1
22	48-9-003-3	Drain hose holder	1
23	-----	¼ Split lock washer	1
24	-----	¼ - 20 x ⅝ Hex bolt	1
25	48-9-025-1	Black drain hose, recovery tank	1
26	36-9-562-1	Hose clamp 2"	1
27	48-9-182-1	¼ - 20 x ⅝ Pan hd. Phillips screw, S/S	2
28	-----	¼ Split lock washer	2
29	48-9-166-3	Hold down bracket, recovery tank	1
30	36-9-562-1	Hose clamp 2"	1
31	48-9-159-1	Vacuum hose, vacuum nozzle to recovery tank	1
32	48-9-001-1	Solution tank only	1
33	48-9-023-1	½" Flat washer, stainless steel	2
34	48-9-021-1	Brass bushing ¼ F - ⅜ MPT, solution tank	2
35	48-9-019-1	Filter cartridge screen, solution tank	1
36	48-9-022-1	½" 'O' ring seal, solution tank	1
37	27-9-586-1	Brass elbow, 45° x ¼ NPT	1
38	38-9-066-1	⅜ Hose barb - ¼ NPT	1
39	36-9-018-1	Hose clamp ⅝"	1
40	48-9-158-1	⅝" Hose, solution tank to pump	1
41	48-9-150-1	Left side decal, Pony 8SC	1
	48-9-151-1	Right side decal, Pony 8SC	1
42	48-9-138-1	Electrocution warning decal	1
43	48-9-020-9	Cloth filter assembly, solution tank	1
44	48-9-152-1	Switch box, Pony 8SC	1
45	48-9-233-1	Switch box decal, Pony 8SC	1
46	-----	#10 Split lock washer	1
47	-----	10 - 32 x ½ Round hd. Phillips screw	1
48	48-9-075-1	Rocker switch, vacuum motor and continuous solution spray	2
49	48-9-076-1	Intermittent switch, solution spray	1
50	48-9-229-1	Operation decal, Pony 8SC	1
51	48-9-085-1	Cable clamp	1
52	48-9-182-1	¼ - 20 x ⅝ Pan hd. Phillips screw, S/S	1
53	31-9-057-1	Strain relief, power cord	1
54	48-9-112-1	50' Power cord w/twist lock, 115 volt	1
	48-9-183-9	50' Power cord w/twist lock, 240 volt	1
55	48-9-170-1	Female twist lock only	1
56	48-9-171-1	Male twist lock only	1
57	48-9-113-1	Stub cord w/twist lock, 115 volt	1
	48-9-184-9	Stub cord w/twist lock, 240 volt	1

PONY 8SC (NO BRUSH)

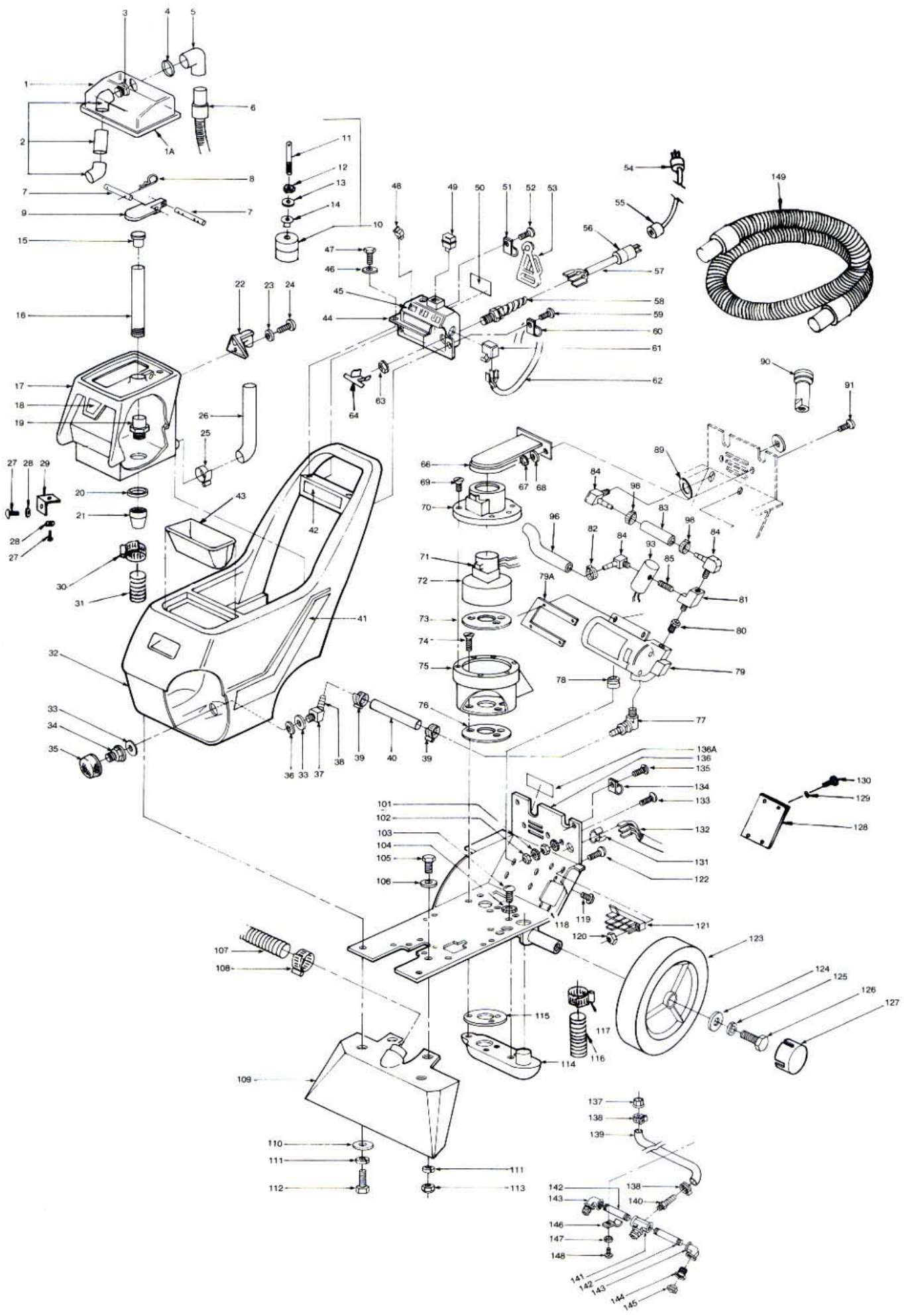
Item No.	Part No.	Description	Quantity
58	02-9-953-1	Strain relief, stub cord	1
59	48-9-182-1	¼ - 20 x ⅝ Pan hd. Phillips screw, black	1
60	48-9-085-1	Cable clamp	1
61	48-9-082-1	Heyco strain relief	1
62	48-9-223-1	Cord, switch box to terminal block	1
63	53-9-026-1	Strain relief nut	1
64	02-9-966-1	Strain relief cord clamp	1
66	48-9-006-1	Vacuum motor cool air duct	1
67	-----	10 - 24 KEP hex nut	2
68	-----	#12 Flat washer	2
69	-----	10 - 32 x ½ Round hd. Phillips screw	6
70	48-9-005-1	Vacuum motor splash cover	1
71	48-9-178-1	Carbon brush, vacuum motor, 115 / 240 volt	2
72	48-9-039-9	Vacuum motor, 3-stage, 115 volt	1
	48-9-125-1	Vacuum motor, 3-stage, 240 volt	1
73	48-9-172-1	Vacuum motor gasket	1
74	-----	10 - 24 x ½ Round hd. Phillips screw	3
75	48-9-007-1	Vacuum motor exhaust chamber	1
76	48-9-172-1	Vacuum motor gasket	1
77	48-9-188-1	90° Hose barb, ⅜ - ⅜ NPT	2
78	48-9-176-1	Rubber boot, pump mount plate	4
79	38-9-200-1	Solution pump, 100 PSI (Shurflo), 115 volt	1
	38-9-201-1	Solution pump, 100 PSI (Shurflo), 240 volt	1
79A	48-9-222-1	Motor Tapping Plate	1
80	48-9-021-1	Brass bushing ¼ FNPT - ⅜ MNPT	1
81	43-9-061-1	90° Elbow w/male nipple	1
82	36-9-018-1	Hose clamp ⅝"	2
83	48-9-226-1	⅜" Hose, solution pump to quick connect	1
84	27-9-179-1	90° Hose barb ⅜ - ¼ NPT	1
85	42-9-187-1	¼ Hex nipple, brass	1
86	43-9-061-1	90° Elbow ¼" w/male nipple	1
87	48-9-057-1	Accessory valve w/knob (Obsolete with serial #08158662)	1
88	48-9-177-1	Accessory valve knob (Obsolete with serial #08158662)	1
89	48-9-023-1	½" Flat washer, stainless steel	1
90	35-9-051-1	Female quick connect, accessory solution	1
91	-----	10 - 24 x ½ Round hd. Phillips screw	2
93	48-9-116-1	Solution solenoid valve, 115 volt	1
	48-9-127-1	Solution solenoid valve, 240 volt	1
94	27-9-179-1	90° Hose barb ⅜ - ¼ NPT	1
95	36-9-018-1	Hose clamp ⅝"	1
96	48-9-157-1	⅜" Hose, solenoid valve to spray bar	1
98	36-9-018-1	Hose clamp ⅝"	1
99	48-9-155-1	⅜" Hose, accessory valve to solenoid valve	1
101	-----	#10 Lock washer	2
102	-----	10 - 24 Hex nut	2
103	-----	10 - 32 x ½ Round hd. Phillips screw	3
104	-----	#10 Lock washer	3
105	-----	¼ - 20 x ¾ Hex bolt, grade 5	2
106	-----	¼" Wrought flat washer	2
107	48-9-160-1	Vacuum hose, vacuum nozzle to clear dome	1
108	36-9-562-1	Hose clamp 2"	1
109	48-9-009-3	Vacuum nozzle	1
110	-----	¼ Wrought flat washer	6
111	-----	¼ Split lock washer	6
112	-----	¼ - 20 x ¾ Hex bolt, grade 5	2
112A	-----	¼ - 20 x ⅝ Hex bolt, grade 5	2
113	-----	¼ - 20 Hex nut	2
114	48-9-008-1	Vacuum motor suction chamber	1
115	48-9-047-1	Gasket, vacuum motor suction chamber	1

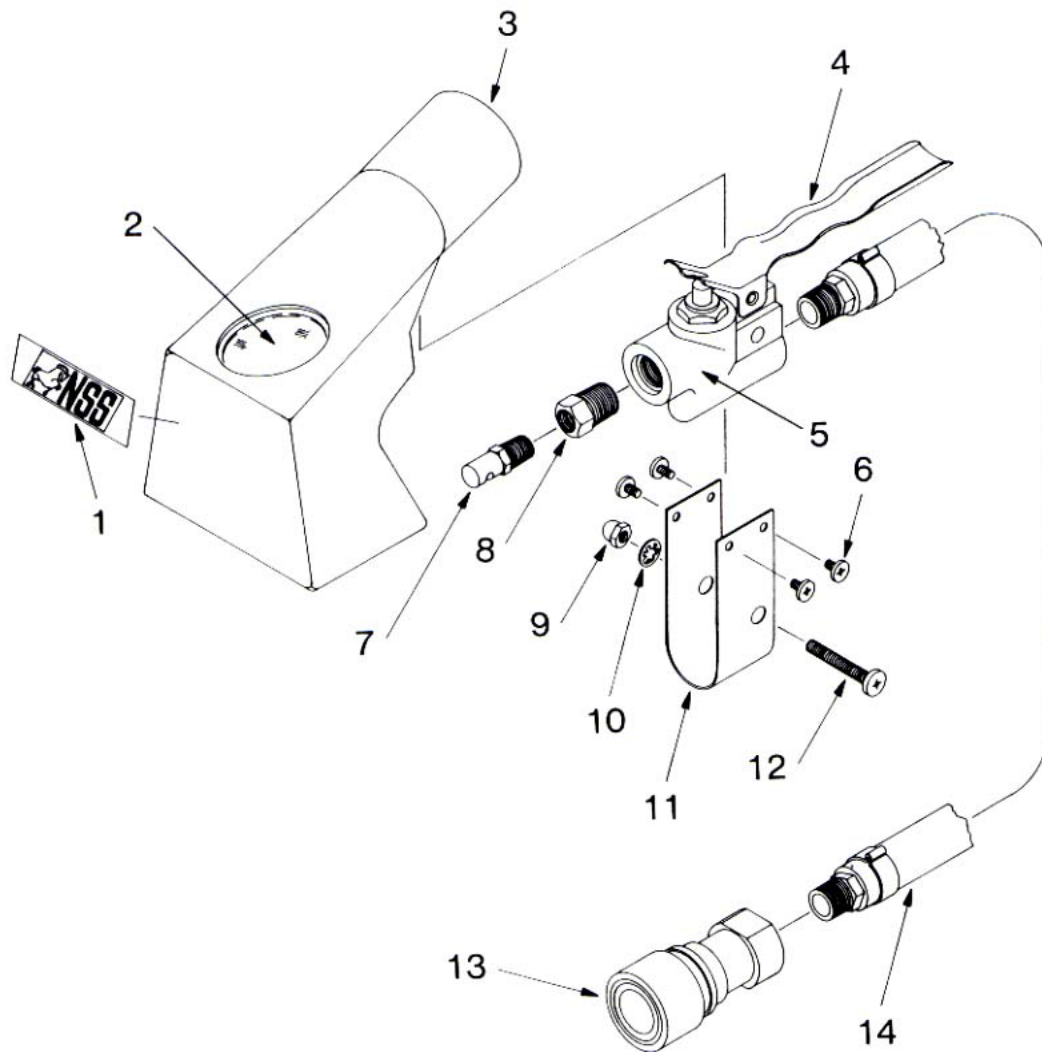
PONY 8SC (NO BRUSH)

Item No.	Part No.	Description	Quantity
116	48-9-159-1	Vacuum hose, suction chamber to recovery tank	1
117	36-9-562-1	Hose clamp 2"	1
118	06-9-025-1	10 - 32 Riv nut	4
119	-----	10 - 24 x 1 Round hd. Phillips screw	4
120	-----	10 - 24 ESNA Lock nut	2
121	48-9-059-1	Wiring terminal block	1
122	-----	10 - 24 x 3/4 Round hd. Phillips screw	2
123	05-9-926-1	10" White plastic wheel	2
124	-----	1/4 Wrought flat washer	2
125	-----	1/4 Split lock washer	2
126	-----	1/4 - 20 x 5/8 Hex bolt, grade 5	2
127	05-9-931-1	Hub cap, black plastic	2
128	48-9-154-3	Rear cover plate, main frame	1
129	-----	10 - 32 x 5/8 Round hd. Phillips screw	4
130	-----	#10 Lock washer	4
131	48-9-082-1	Heyco strain relief	1
132	48-9-081-1	Cord, switch box to terminal block	1
133	-----	10 - 24 x 3/4 Round hd. Phillips screw	1
134	48-9-085-1	Cable clamp	1
135	48-9-182-1	1/4 - 20 x 5/8 Pan hd. Phillips screw, black	1
136	48-9-014-3	Chassis frame, All Pony 8SC	1
136A	48-9-228-1	Accessory cleaning decal	1
137	48-9-045-1	Plastic bushing, solution hose protector	1
138	36-9-018-1	Hose clamp 5/8"	1
139	48-9-157-1	3/8" Hose, solenoid valve to spray bar	1
140	38-9-066-1	3/8" Hose barb - 1/4 NPT	1
141	48-9-146-2	1/4" Union tee	1
142	48-9-148-1	Brass nipple, 1/4 MPT x 3 1/2"	2
143	48-9-147-1	90° Brass elbow, 1/4 FPT	2
144	48-9-129-1	Nozzle body only, stainless steel	3
	48-9-211-1	Nozzle body gasket	3
145	48-9-037-1	Spray nozzle only, stainless steel, (8003)	
	48-9-130-1	Spray nozzle w/nozzle body, (8003)	
**	48-9-036-9	Complete spray bar assembly	
146	48-9-038-6	Spray bar clamp	2
147	-----	#10 Lock washer	2
148	-----	10 - 24 x 3/8 Round hd. Phillips screw	2
149	48-9-149-1	Vacuum hose, solution tank clean out	1

PONY 8SC (NO BRUSH)

Item No.	Part No.	Description	Quantity
116	48-9-159-1	Vacuum hose, suction chamber to recovery tank	1
117	36-9-562-1	Hose clamp 2"	1
118	06-9-025-1	10 - 32 Riv nut	4
119	-----	10 - 24 x 1 Round hd. Phillips screw	4
120	-----	10 - 24 ESNA Lock nut	2
121	48-9-059-1	Wiring terminal block	1
122	-----	10 - 24 x 3/4 Round hd. Phillips screw	2
123	05-9-926-1	10" White plastic wheel	2
124	-----	1/4 Wrought flat washer	2
125	-----	1/4 Split lock washer	2
126	-----	1/4 - 20 x 5/8 Hex bolt, grade 5	2
127	05-9-931-1	Hub cap, black plastic	2
128	48-9-154-3	Rear cover plate, main frame	1
129	-----	10 - 32 x 5/8 Round hd. Phillips screw	4
130	-----	#10 Lock washer	4
131	48-9-082-1	Heyco strain relief	1
132	48-9-081-1	Cord, switch box to terminal block	1
133	-----	10 - 24 x 3/4 Round hd. Phillips screw	1
134	48-9-085-1	Cable clamp	1
135	48-9-182-1	1/4 - 20 x 5/8 Pan hd. Phillips screw, black	1
136	48-9-014-3	Chassis frame, All Pony 8SC	1
136A	48-9-228-1	Accessory cleaning decal	1
137	48-9-045-1	Plastic bushing, solution hose protector	1
138	36-9-018-1	Hose clamp 5/8"	1
139	48-9-157-1	3/8" Hose, solenoid valve to spray bar	1
140	38-9-066-1	3/8" Hose barb - 1/4 NPT	1
141	48-9-146-2	1/4" Union tee	1
142	48-9-148-1	Brass nipple, 1/4 MPT x 3 1/2"	2
143	48-9-147-1	90° Brass elbow, 1/4 FPT	2
144	48-9-129-1	Nozzle body only, stainless steel	3
	48-9-211-1	Nozzle body gasket	3
145	48-9-037-1	Spray nozzle only, stainless steel, (8003)	
	48-9-130-1	Spray nozzle w/nozzle body, (8003)	
**	48-9-036-9	Complete spray bar assembly	
146	48-9-038-6	Spray bar clamp	2
147	-----	#10 Lock washer	2
148	-----	10 - 24 x 3/8 Round hd. Phillips screw	2
149	48-9-149-1	Vacuum hose, solution tank clean out	1

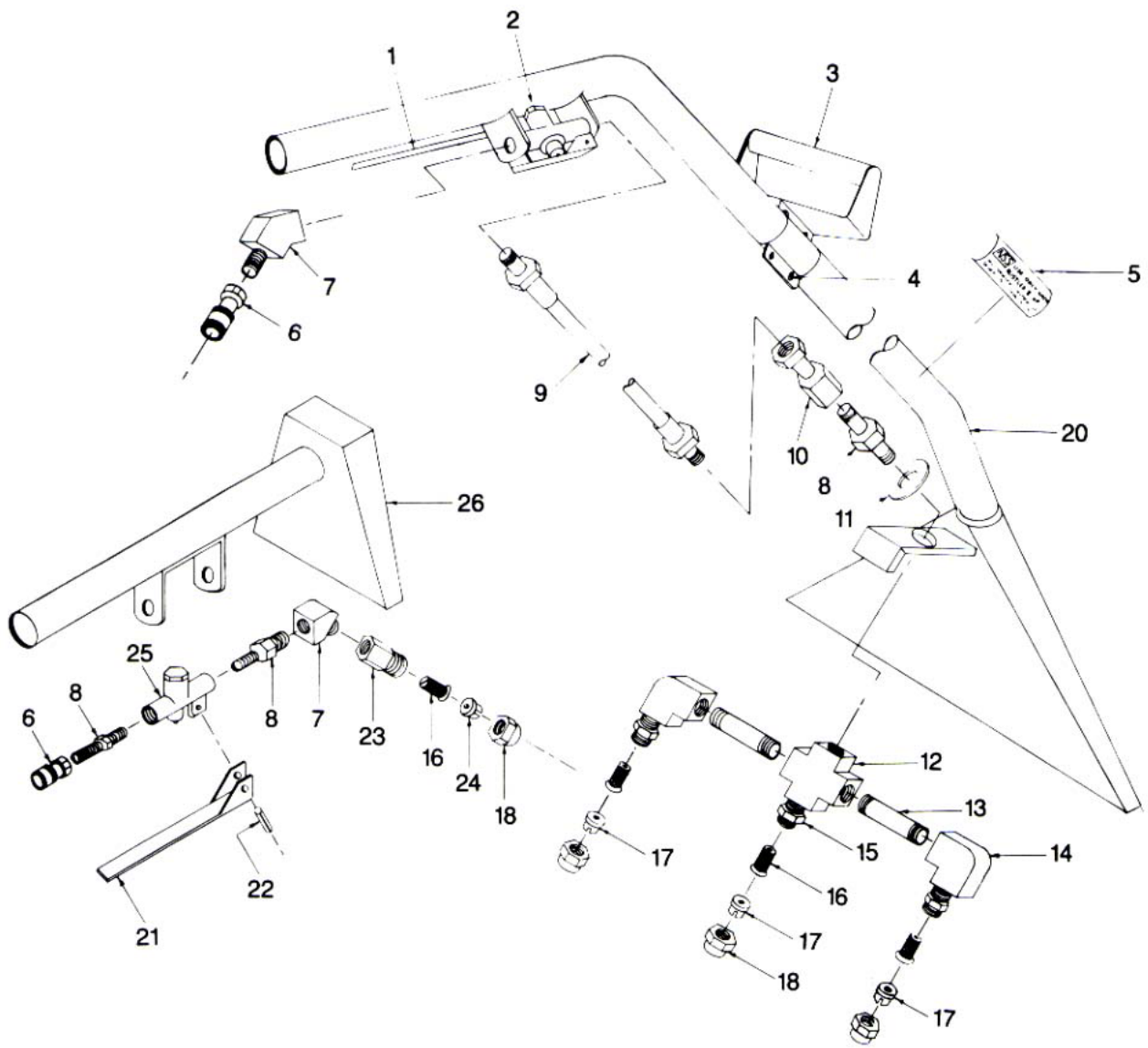




3" UPHOLSTERY TOOL

Part #38-9-018-1

Item No.	Part No.	Description	Quantity
1	47-9-013-1	NSS Label	1
2	38-9-162-1	Plastic Window	1
3	38-9-163-1	Tool Casting w/Window	1
4	38-9-164-1	Valve Lever	1
5	38-9-161-1	Valve w/Lever	1
6	-----	#8 Self Tap AB x 5/16 Round Hd. Phillips Screw	4
7	38-9-093-1	Spray Tip, 1/8 K .50	1
8	46-9-094-1	1/8 - 1/4 NPT Reducer Fitting	1
9	-----	10-32 Hex Acorn Nut	1
10	-----	#10 Internal Star Lock Washer	1
11	38-9-165-1	Valve Mounting Bracket	1
12	-----	10 - 32 x 1 Pan Hd. Phillips Screw	1
13	35-9-051-1	Female Quick Connector	1
14	38-9-166-1	3/8" Hose x 48" w/1/4 NPTM Ends	1



ACCESSORIES PART LIST

Item No.	Part No.	Description	Item No.	Part No.	Description
Wand					
1	38-9-180-1	Valve Lever	16	35-9-080-1	Screen (3 req'd.)
Not Shown	38-9-181-1	Valve Lever Grip	17	38-9-197-1	Spray Tip (3 req'd.)
Not Shown	38-9-182-1	Roll Pin, 3/16 x 1 1/2	18	35-9-106-1	Cap (3 req'd.)
2	38-9-183-1	Valve "I" Type	20	38-9-196-1	Wand Assembly
Not Shown	38-9-184-1	Valve Repair Kit		38-9-187-1	Wand Only - No Fittings
Not Shown	35-9-079-1	Freeze Plug	Not Shown	38-9-144-1	Stainless Steel Shoe 12" (2 req'd.)
3	38-9-185-1	Adjustable Handle Grip	5" Stair Tool		
	38-9-186-1	Foam Grip	6	35-9-051-1	Quick Connect - Female
4		1/4 - 20 x 3/4 Hex Bolt (2 req'd.)	7	42-9-143-1	45° St. Elbow
5	38-9-026-1	Wand Decal	8	42-9-187-1	Hex Nipple
6	35-9-051-1	Quick Connect - Female	16	35-9-104-1	Screen
7	42-9-143-1	45° St. Elbow	18	35-9-106-1	Cap
9	38-9-188-1	Solution Hose 3/8 x 48"	21	38-9-129-1	Valve Lever
11		1/2 SAE Washer	22	38-9-130-1	Lever Pin
12	38-9-075-1	1/4 Cross	23	38-9-117-1	Spray Body
13	38-9-074-1	1/4 x 2 Nipple (2 req'd.)	24	38-9-116-1	Spray Tip 9502
14	38-9-114-1	1/4 Elbow (2 req'd.)	25	35-9-077-1	Valve
15	35-9-081-1	Male Spray Body (3 req'd.)		35-9-078-1	Repair Kit
			26	38-9-157-9	5" Stair Tool Complete

NOTES



THE NATIONAL SUPER SERVICE COMPANY
3115 Frenchmens Road, Toledo, Ohio 43607-2958 (419) 531-2121