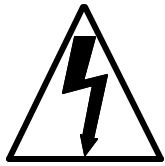
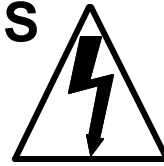


WRANGLER 27-33 F/B-VS



IMPORTANT SAFETY INSTRUCTIONS



READ AND UNDERSTAND ALL INSTRUCTIONS
BEFORE OPERATING OR SERVICING MACHINE

DANGER! Failure to Observe These Instructions Can Cause Personal Injury to Machine Operator, By-standers or Possible Machine Damage.

- * **NEVER** attempt to operate this machine unless you have been trained in its operation.
- * **NEVER** allow an untrained person to operate this machine.
- * Use this machine **ONLY** as described in this manual.
- * **NEVER** attempt to operate this machine if it is not working properly or has been damaged in any manner.
- * **NEVER** disconnect or modify any switch or safety device (circuit breaker) on this machine.
- * **ALWAYS** operate this machine from the rear control panel, not from the side.
- * **NEVER** drop or insert any object into any machine opening.
- * **ALWAYS** keep face, fingers, hair or any body part, or loose clothing away from any machine opening or moving part (revolving brush, pad driver, or vacuum motor or drive chain).
- * **NEVER** operate this machine with any air opening blocked. Keep all air openings free of dust, lint, hair etc.
- * **NEVER** spray this machine with water or any liquids.
- * **NEVER** allow the vacuum motor or battery charging plug to get wet. The vacuum motor and battery charging plug will short out if wet.
- * **NEVER** operate machine when battery charger is plugged in.
- * **NEVER** operate this machine in an explosive atmosphere (grain dust, flammable liquids or fumes).
- * **NEVER** use flammable liquids (gas, kerosene, solvents or thinners) to clean floor.
- * **ALWAYS** turn the brush switch **OFF** when attaching pads or brushes.
- * **NEVER** operate this machine with the splash skirt removed.
- * **NEVER** leave this machine unattended.
- * **ALWAYS** store this machine indoors in a dry, cool area.

PERSONAL INJURY AND PROPERTY DAMAGE FROM THIS MACHINE OVERTURNING, BATTERIES FALLING OUT OF THE MACHINE OR BATTERIES LEAKING ACID CAN OCCUR IF YOU DO NOT FOLLOW THESE PRECAUTIONS:

- * **ALWAYS** be sure that the ramp is secured to the vehicle before attempting to load / unload.
- * **ALWAYS** use extreme caution when operating this machine on a ramp or loading / unloading this machine into or out of a truck. Use extreme caution if the ramp is wet, oily or covered with cleaning chemicals.
- * **NEVER** turn this machine on an ramp or incline.
- * **NEVER** stop this machine on a ramp or incline.
- * **NEVER** attempt to climb a grade or operate this machine on a ramp or incline of more than 20 degrees.
- * **NEVER** park or store this machine near a dock, on ramps, near a furnace, boiler, open flame, or other high heat source.
- * **NEVER** allow this machine to freeze.
- * **NEVER** store any items on this machine.

ALL repair service must be performed by an NSS authorized distributor/service station. Use only NSS original equipment parts.

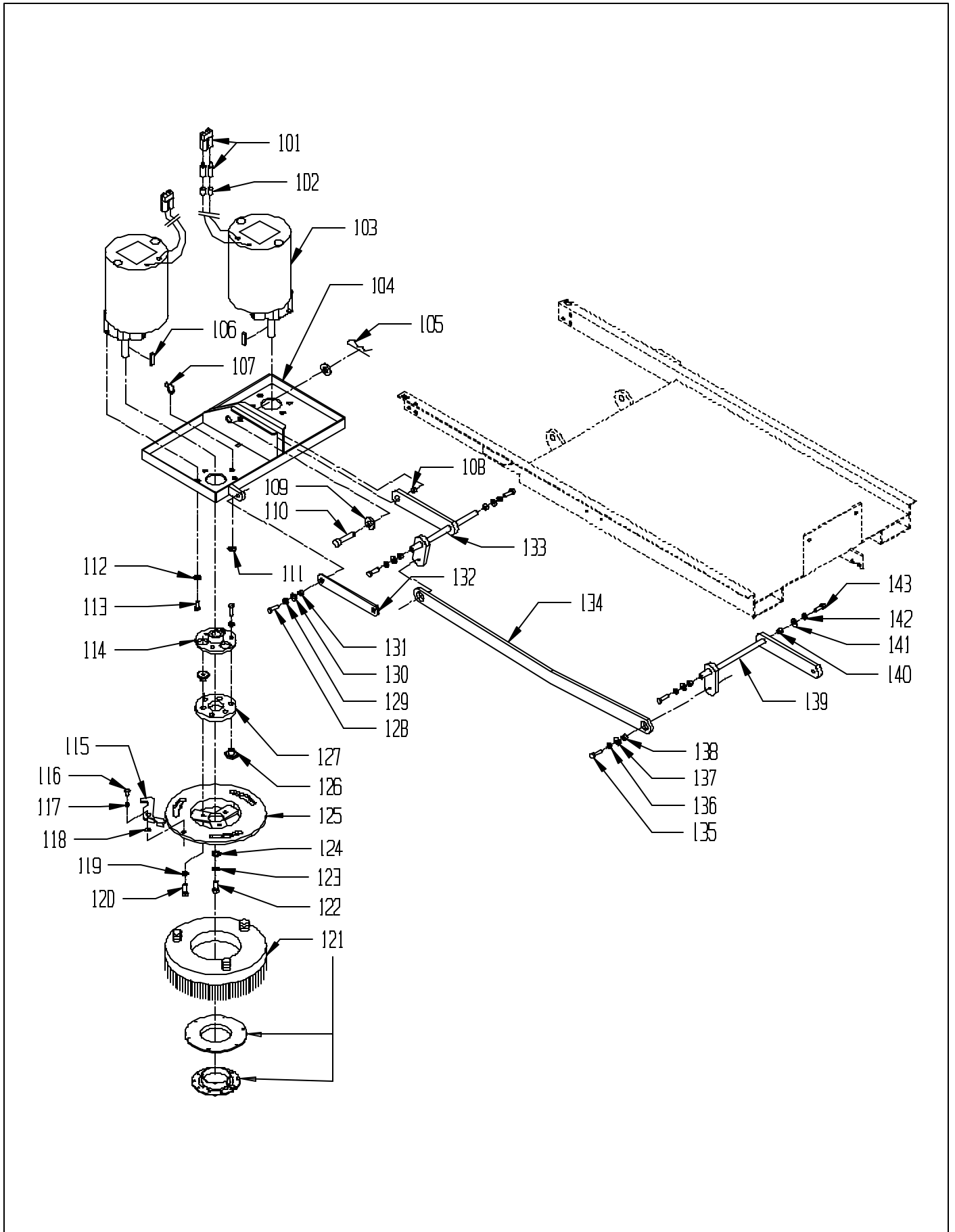
SAVE THESE INSTRUCTIONS



BRUSH ASSEMBLY WITH LIFT ARMS

<u>ITEM</u>	<u>PART NO.</u>	<u>DESCRIPTION</u>	<u>QTY</u>
101	44-9-190-1	CHARGER PLUG ONLY, GRAY 36 V	2
102	26-9-072-1	SLEEVE 10-12 ANDERSON CONNECT	4
103	33-9-077-1	BRUSH GEAR MOTOR	2
	27-9-917-9	BRUSH GEAR MOTOR ASSEMBLY (INCL. ITEMS 101-103, 109)	2
104	26-9-200-3	BRUSH MOTOR MOUNT BRACKET - 27	1
	26-9-300-3	BRUSH MOTOR MOUNT BRACKET - 33	1
105	26-9-257-1	HAIR PIN COTTER	1
106	27-9-268-1	1/4 SQUARE X 1 LONG KEY - STEEL	2
107	50-9-263-2	90 DEGREE SOLUTION FEED TUBE, MACHINED	2
108	27-9-075-6	BUSHING SPACER	1
109	91-2-245-0	17/32 I.D. X 1 1/16 O.D. X .074/.121 THICK SAE FLAT WASHER (1/2)	2
110	26-9-256-1	1/2 X 1 1/4 CLEVIS PIN	1
111	50-9-264-1	RETAINING RING	2
112	91-2-210-0	3/8 SPLIT LOCK WASHER	8
113	91-2-226-0	3/8-16 X 1 HEX BOLT	8
114	26-9-805-2	DRIVE HUB, MACHINED	2
115	27-9-021-6	DRIVE PLATE LATCH	2
116	91-2-109-0	1/4-20 X 1/2 TRUSS HEAD PHILLIPS MACHINE SCREW	2
117	27-9-128-6	BUSHING SPACER	2
118	44-9-062-1	3/8 I.D. X 5/8 O.D. X .031 THICK 1 WAVE SPRING WASHER (3/8)	2
119	91-2-152-0	5/16 SPLIT LOCK WASHER	12
120	91-2-168-0	5/16-18 X 1 HEX BOLT	12
121	27-9-289-1	W27 POLYBLOCK TUFT PAD DRIVER	2
	33-9-089-1	W33 POLYBLOCK TUFT PAD DRIVER	2
	27-9-524-1	PAD HOLDER ASSEMBLY	2
	27-9-523-1	SPLIT RETAINER - PAD HOLDER RING	2
	27-9-252-1	W27 14" GRIT BRUSH / POLY BLOCK	2
	33-9-052-1	W33 17" GRIT BRUSH / POLY BLOCK	2
	27-9-251-1	W27 14" NYLON BRUSH / POLY BLOCK	2
	33-9-051-1	W33 17" NYLON BRUSH / POLY BLOCK	2
122	91-2-168-0	5/16-18 X 1 HEX BOLT	1
123	91-2-152-0	5/16 SPLIT LOCK WASHER	1
124	91-2-140-0	3/8 I.D. X 7/8 O.D. X .064/.104 THICK WROUGHT WASHER (5/16)	1
125	26-9-807-2	DRIVE CASTING, MACHINED	2
	26-9-906-9	LEFT DRIVE CASTING ASSEMBLY (INCL. ITEMS 113-119, 124-126)	1
	26-9-905-9	RIGHT DRIVE CASTING ASSEMBLY (INCL. ITEMS 113-119, 124-126)	1
126	26-9-808-1	DRIVE LUG	12
127	26-9-806-1	RUBBER MOUNT	2
128	91-2-226-0	3/8-16 X 1 HEX BOLT	2
129	91-2-210-0	3/8 SPLIT LOCK WASHER	2
130	91-2-198-0	7/16 I.D. X 1 O.D. X .075/.080 THICK SAE FLAT WASHER (3/8)	2
131	26-9-118-1	PIVOT SPACER	2
132	26-9-117-1	STABILIZER BAR	1
133	26-9-203-3	FRONT LIFT ARM, BRUSH - 27	1
	26-9-303-3	FRONT LIFT ARM, BRUSH - 33	1
134	26-9-425-1	LOWER LIFT BAR, BRUSH	1
135	91-2-253-0	1/2-13 X 1 HEX BOLT	2
136	91-2-242-0	1/2 SPLIT LOCK WASHER	2
137	91-2-245-0	17/32 I.D. X 1 1/16 O.D. X .074/.121 THICK SAE FLAT WASHER (1/2)	2
138	23-9-146-6	BUSHING SPACER	2
139	26-9-153-3	REAR LIFT ARM, BRUSH	1
140	27-9-075-6	BUSHING SPACER	4
141	91-2-245-0	17/32 I.D. X 1 1/16 O.D. X .074/.121 THICK SAE FLAT WASHER (1/2)	4
142	91-2-242-0	1/2 SPLIT LOCK WASHER	4
143	91-2-255-0	1/2-13 X 1 1/2 HEX BOLT	4

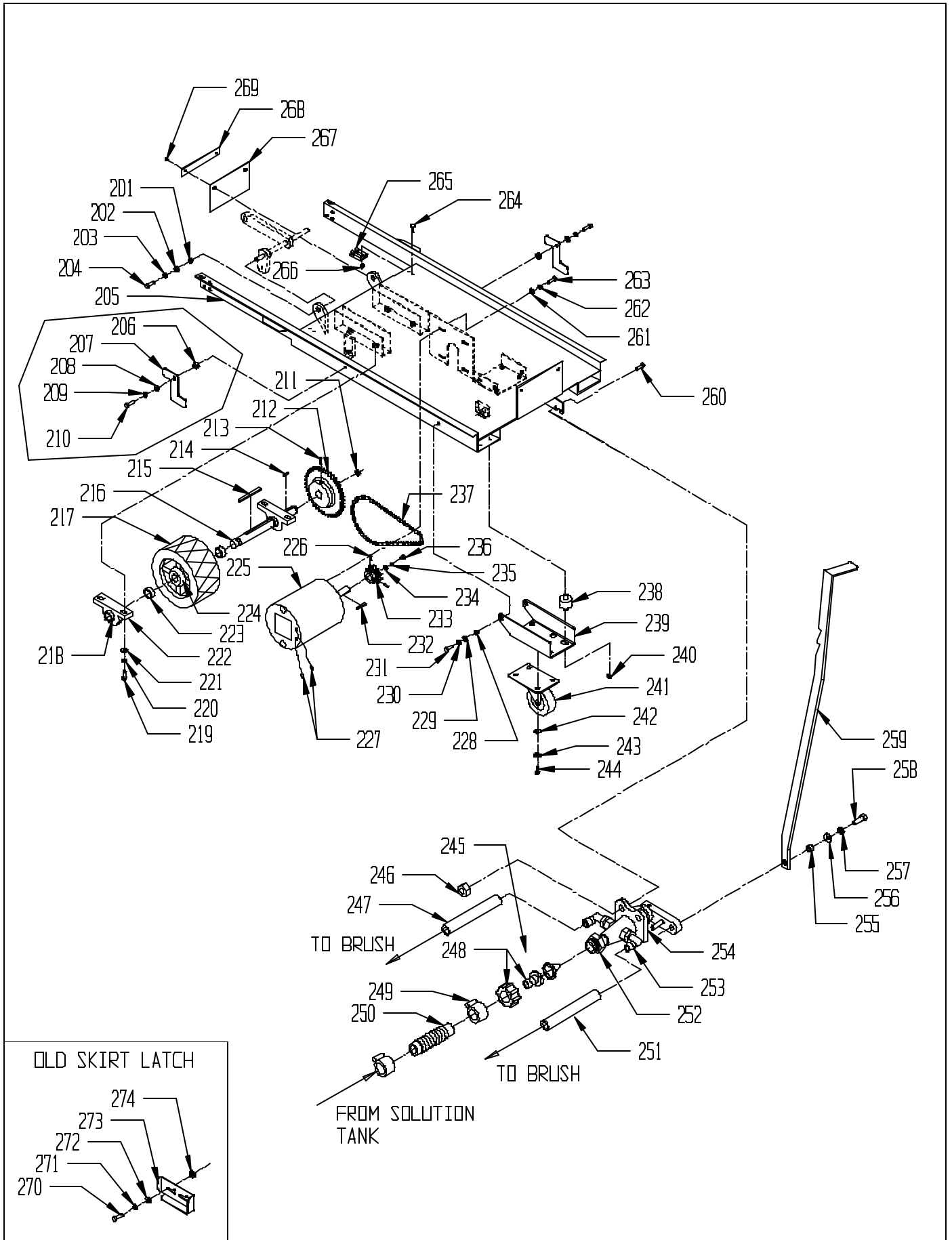
BRUSH ASSEMBLY WITH LIFT ARMS



DRIVE ASSEMBLY WITH SOLUTION VALVE

<u>ITEM</u>	<u>PART NO.</u>	<u>DESCRIPTION</u>	<u>QTY</u>
201	27-9-075-6	BUSHING SPACER	2
202	91-2-245-0	17/32 I.D. X 1 1/16 O.D. X .074/.121 THICK SAE FLAT WASHER (1/2)	2
203	91-2-242-0	1/2 SPLIT LOCK WASHER	2
204	91-2-255-0	1/2-13 X 1 1/2 HEX BOLT	2
205	26-9-140-3	MAIN FRAME	1
206	26-9-177-1	PIN, SKIRT LATCH	2
207	24-9-065-1	SKIRT LATCH	2
208	91-2-093-0	9/32 I.D. X 5/8 O.D. X .051/.080 THICK SAE FLAT WASHER (1/4)	2
209	91-2-088-0	1/4 SPLIT LOCK WASHER	2
210	91-2-125-0	1/4-20 X 3/4 HEX BOLT WITH NYLON PATCH	2
211	65-9-032-1	RETAINING RING	1
212	26-9-405-1	DRIVEN SPROCKET, 34 TOOTH	1
213	91-2-085-0	1/4-20 X 5/16 SET SCREW - KNURL POINT	1
214	26-9-127-1	1/4 SQUARE X 7/8 LONG KEY - STEEL	1
215	26-9-126-1	1/4 SQUARE X 3 3/4 LONG KEY - STEEL	1
216	26-9-125-1	AXLE, DRIVE WHEEL	1
217	26-9-122-1	DRIVE WHEEL (4 X 8)	1
	26-9-929-9	WHEEL & AXLE ASSEMBLY (INCL. ITEMS 211-224)	1
218	91-2-084-0	1/4-20 X 3/16 SET SCREW - KNURL POINT	2
219	91-2-230-0	3/8-16 X 1 1/4 HEX BOLT	4
220	91-2-210-0	3/8 SPLIT LOCK WASHER	4
221	91-2-198-0	7/16 I.D. X 1 O.D. X .075/.080 THICK SAE FLAT WASHER (3/8)	4
222	26-9-124-1	PILLOW BLOCK BEARING	2
223	26-9-227-1	DRIVE WHEEL SPACER 1.0 X .6875	2
224	91-2-138-0	5/16-18 X 3/8 SET SCREW - KNURL POINT	2
225	27-9-010-1	DRIVE MOTOR 36 V	1
226	91-2-085-0	1/4-20 X 5/16 SET SCREW - KNURL POINT	2
227	26-9-058-1	1/4 MALE SPADE TERM. 10-12 YELLOW	2
228	26-9-118-1	PIVOT SPACER	4
229	91-2-198-0	7/16 I.D. X 1 O.D. X .075/.080 THICK SAE FLAT WASHER (3/8)	4
230	91-2-210-0	3/8 SPLIT LOCK WASHER	4
231	91-2-226-0	3/8-16 X 1 HEX BOLT	4
232	27-9-268-1	1/4 SQUARE X 1 LONG KEY - STEEL	
233	26-9-501-1	DRIVE SPROCKET, 10 TOOTH	1
234	91-2-140-0	3/8 I.D. X 7/8 O.D. X .064/.104 THICK WROUGHT WASHER (5/16)	1
235	91-2-152-0	5/16 SPLIT LOCK WASHER	1
236	91-2-164-0	5/16-18 X 3/4 HEX BOLT	1
237	26-9-406-1	ROLLER CHAIN #40, 57 + MASTER LINK	1
	26-9-407-9	CHAIN - SPROCKET ASSEMBLY (INCL. ITEMS 211-213, 226, 233-236)	1
238	26-9-139-1	VIBRATION MOUNT, CASTER BRACKET	4
239	26-9-138-3	CASTER BRACKET	2
240	91-2-214-0	3/8-16 HEX NUT WITH NY-LOK INSERT	8
241	26-9-258-1	4" GRAY SOFT CASTER, COMPLETE	2
	44-9-050-1	SWIVEL CASTER, PLATFORM 4" WHEEL	2
	44-9-039-1	CASTER WHEEL ONLY, WITH BEARING	2
242	91-2-198-0	7/16 I.D. X 1 O.D. X .075/.080 THICK SAE FLAT WASHER (3/8)	8
243	91-2-210-0	3/8 SPLIT LOCK WASHER	8
244	91-2-226-0	3/8-16 X 1 HEX BOLT	8
245	26-9-024-1	FILTER SCREEN	1
	26-9-022-9	FILTER FITTING ASSEMBLY (INCL. ITEMS 244, 247, 251)	1
246	91-2-090-0	1/4-20 HEX NUT WITH NY-LOK INSERT	2
247	26-9-357-7	VINYL HOSE, 3/8" I.D. X 62" LENGTH.	1
248	26-9-025-1	FILTER FITTING HOSE BARB & COLLAR	1
249	36-9-018-1	HOSE CLAMP, DIA 1/4" TO 13/16"	2
250	26-9-255-1	CONVOLUTED TUBING 6.5"	1
251	26-9-356-7	VINYL HOSE, 3/8" I.D. X 52" LENGTH	1
252	26-9-023-2	FILTER FITTING, VALVE	1
253	24-9-060-1	90 DEGREE HOSE BARB 3/8 - 1/4 MNPT	2
254	26-9-029-9	VALVE ASSEMBLY W/FITTINGS AND LEVER (INCL. ITEMS 244,247-249, 251,252)	1
255	27-9-128-6	BUSHING SPACER	1
256	91-2-093-0	9/32 I.D. X 5/8 O.D. X .051/.080 THICK SAE FLAT WASHER (1/4)	1
257	91-2-088-0	1/4 SPLIT LOCK WASHER	1
258	91-2-125-0	1/4-20 X 3/4 HEX BOLT WITH NYLON PATCH	1
259	26-9-028-3	SOLUTION VALVE LEVER	1
260	91-2-125-0	1/4-20 X 3/4 HEX BOLT WITH NYLON PATCH	2
261	91-2-093-0	9/32 I.D. X 5/8 O.D. X .051/.080 THICK SAE FLAT WASHER (1/4)	4
263	91-2-125-0	1/4-20 X 3/4 HEX BOLT WITH NYLON PATCH	4
264	91-2-009-0	6-32 x 7/8 PAN HEAD PHILLIPS MACHINE SCREW	4
265	44-9-190-1	CHARGER PLUG ONLY, GRAY 36 V	2
266	91-2- 002-0	6-32 HEX NUT WITH STAR LOCK WASHER	4
267	26-9-245-1	WIPER, SPLASH GUARD	1
268	26-9-246-1	STRAP, SPLASH GUARD	1
269	91-2-051-0	10-24 X 1/2 TRUSS HEAD PHILLIPS MACHINE SCREW	2
270	91-2-125-0	1/4-20 X 3/4 HEX BOLT WITH NYLON PATCH	4
271	91-2-088-0	1/4 SPLIT LOCK WASHER	4
272	91-2-095-0	1/4 X 1 1/4 FENDER WASHER	4
273	26-9-176-1	LEFT SKIRT LATCH	1
	26-9-175-1	RIGHT SKIRT LATCH	1
274	26-9-177-1	PIN, SKIRT LATCH	4

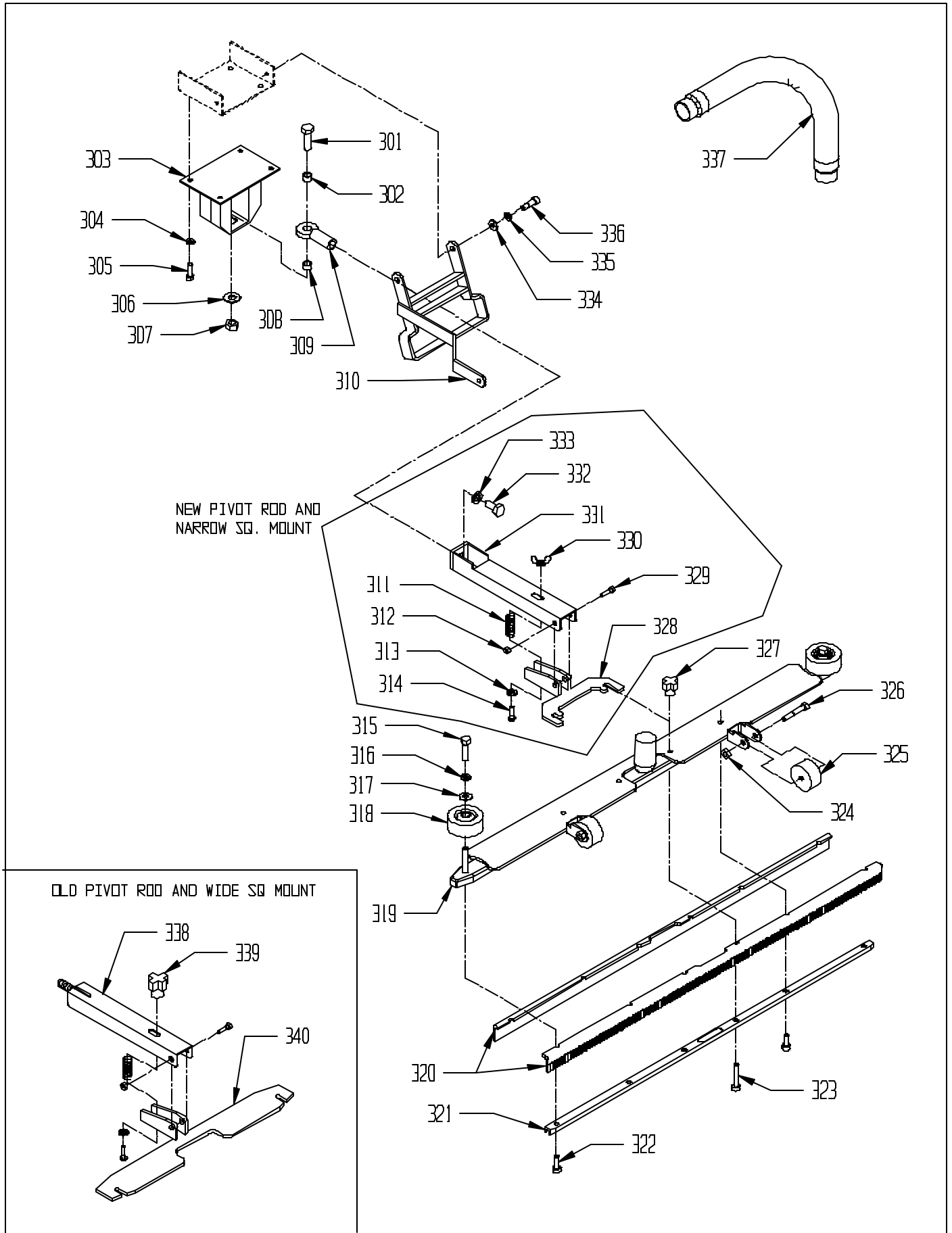
DRIVE ASSEMBLY WITH SOLUTION VALVE



SQUEEGEE ASSEMBLY

<u>ITEM</u>	<u>PART NO.</u>	<u>DESCRIPTION</u>	<u>QTY</u>
301	49-9-182-1	1/2-13 X 2 HEX BOLT	1
302	23-9-146-6	PIVOT SPACER	3
303	26-9-155-1	SQUEEGEE PIVOT BRACKET	1
304	91-2-088-0	1/4 SPLIT LOCK WASHER	4
305	91-2-125-0	1/4-20 X 3/4 HEX BOLT WITH NYLON PATCH	4
306	91-2-247-0	9/16 I.D. X 1 3/8 O.D. X .086/.132 THICK WROUGHT WASHER (1/2)	1
307	91-2-249-5	1/2-13 HEX NUT WITH NY-LOK INSERT	1
308	26-9-158-1	PIVOT SPACER, SQUEEGEE	1
309	23-9-194-1	BALL JOINT	1
310	26-9-244-1	LIFT BRACKET, SQUEEGEE	1
311	36-9-558-1	HEIGHT ADJUSTING SPRING	1
312	91-2-214-0	3/8-16 HEX NUT WITH NY-LOK INSERT	1
313	91-2-210-0	3/8 SPLIT LOCK WASHER	1
314	06-9-210-1	3/8-16 X 2 ROUND HEAD SLOT MACHINE SCREW	1
315	91-2-156-0	5/16-18 X 1/2 HEX BOLT	2
316	91-2-141-0	5/16 EXTERNAL STAR LOCK WASHER	2
317	91-2-139-0	11/32 I.D. X 11/16 O.D. X .051/.080 THICK SAE FLAT WASHER (5/16)	2
318	27-9-028-1	3" BUMPER WHEEL	2
319	26-9-252-3	27 OUTER CHANNEL, HEAVY DUTY	1
	26-9-221-3	SQUEEGEE HOUSING - WIDE MOUNT - 27 (NOT SHOWN)	
	26-9-352-3	33 OUTER CHANNEL, HEAVY DUTY	1
	26-9-160-3	SQUEEGEE HOUSING - WIDE MOUNT - 33 (NOT SHOWN)	
	26-9-253-9	SQUEEGEE ASSEMBLY W27 F/B (INCL. ITEMS 315-328)	1
	26-9-221-9	27 F/B SQUEEGEE ASSEMBLY - WIDE MOUNT	
	26-9-353-9	SQUEEGEE ASSEMBLY W33 F/B (INCL. ITEMS 315-328)	1
	26-9-160-9	33 F/B SQUEEGEE ASSEMBLY - WIDE MOUNT	
320	27-9-106-1	32" REPLACEMENT SQUEEGEE BLADES - W27 - SET OF 2	1
	33-9-026-1	38" REPLACEMENT SQUEEGEE BLADES -W33 - SET OF 2	1
321	26-9-253-3	INNER CHANNEL - 27	1
	26-9-353-3	INNER CHANNEL - 33	1
322	91-2-188-0	5/16-18 X 3/4 SOCKET HEAD CAP SCREW	4
323	91-2-192-0	5/16-18 X 1 1/2 SOCKET HEAD CAP SCREW	2
324	91-2-145-0	5/16-18 HEX NUT WITH NY-LOK INSERT	2
325	30-9-674-1	WHEEL, BUMPER - SMALL GRAY	2
326	91-2-172-0	5/16-18 X 1 1/4 FULL THREADED HEX BOLT	2
327	27-9-100-2	SQUEEGEE KNOB, MACHINED	2
328	26-9-026-1	NARROW MOUNT BRACKET, SQUEEGEE	1
329	91-2-234-0	3/8-16 X 2 HEX BOLT	1
330	26-9-179-1	3/8-16 WING NUT, TYPE A	1
331	26-9-157-1	PIVOT ROD, SQUEEGEE	1
	26-9-919-9	SQUEEGEE PIVOT ROD ASSEMBLY (INCL. ITEMS 301, 302, 306-309, 311-314, 328-333)	1
332	91-2-253-0	1/2-20 X 1 HEX BOLT	1
333	91-2-242-0	1/2 SPLIT LOCK WASHER	1
334	91-2-139-0	11/32 I.D. X 11/16 O.D. X .051/.080 THICK SAE FLAT WASHER (5/16)	2
335	91-2-152-0	5/16 SPLIT LOCK WASHER	2
336	91-2-150-0	5/16 X 1/2 SOCKET HEAD SHOULDER BOLT	2
337	26-9-059-1	SQUEEGEE VAC HOSE W/CUFFS	1
338	26-9-157-1	SQUEEGEE PIVOT ROD	1
339	26-9-179-2	SQUEEGEE ADJUSTMENT KNOB	1
340	26-9-156-1	WIDE MOUNT BRACKET, SQUEEGEE	1

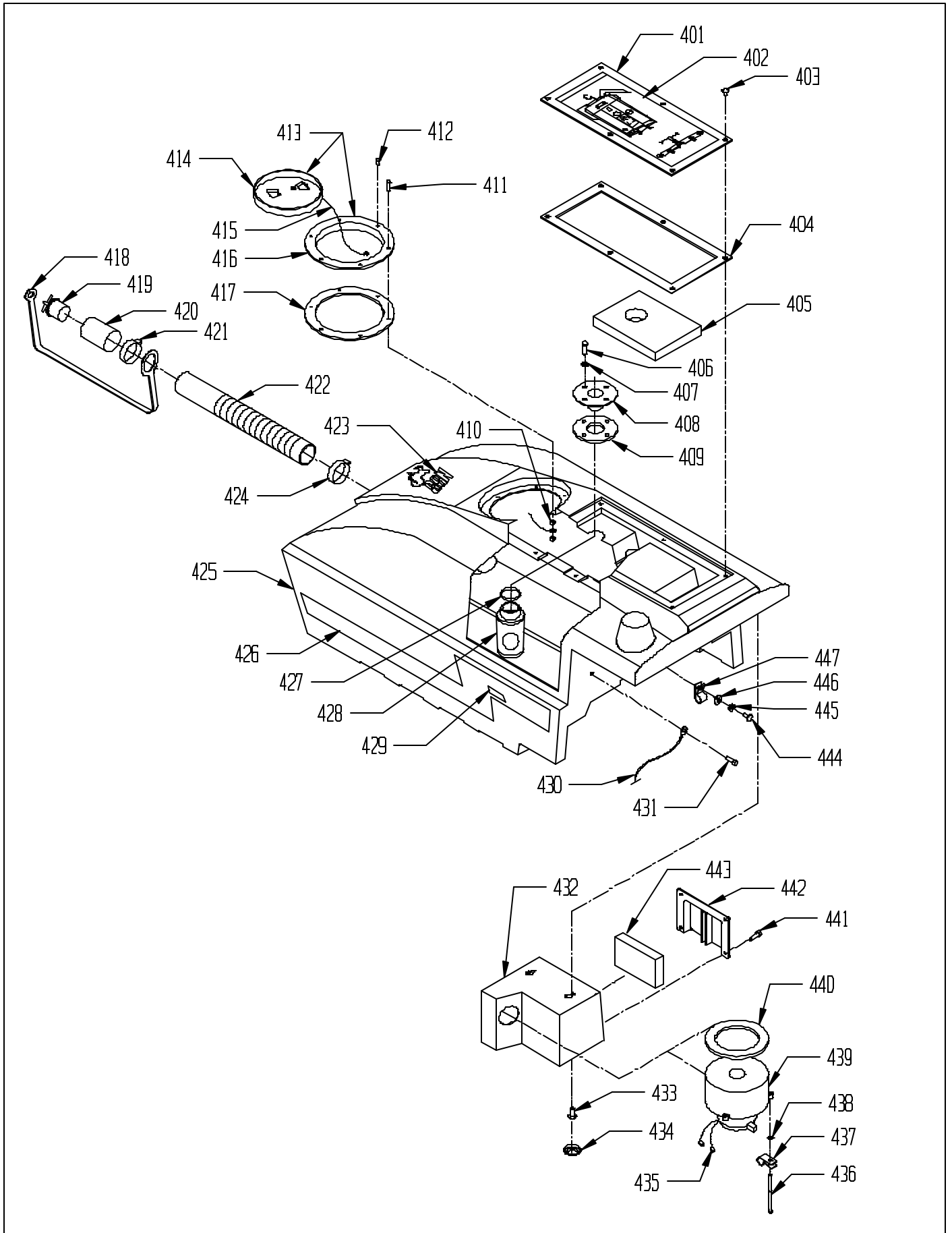
SQUEEGEE ASSEMBLY



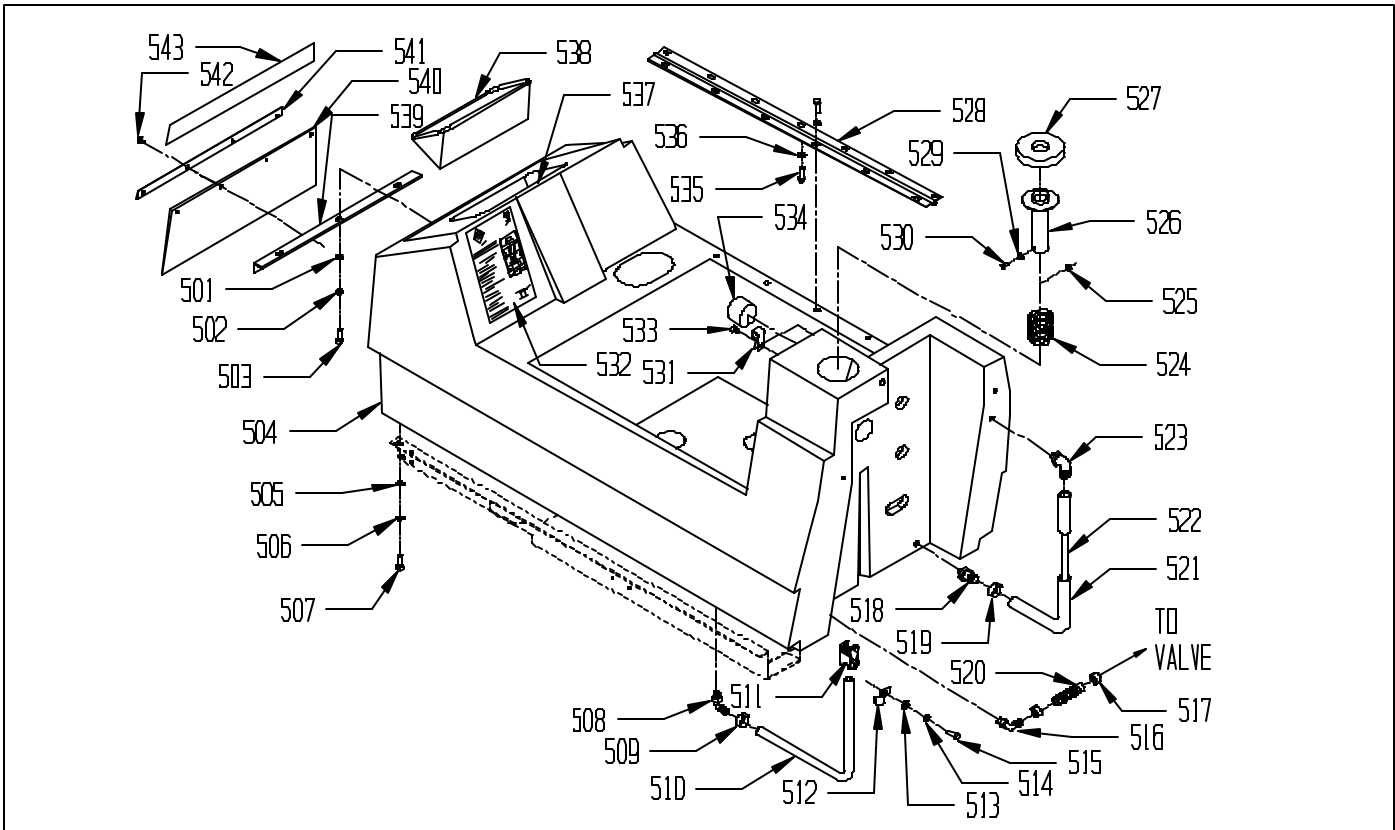
RECOVERY TANK ASSEMBLY

<u>ITEM</u>	<u>PART NO.</u>	<u>DESCRIPTION</u>	<u>QTY</u>
401	26-9-105-3	COVER PLATE, RECOVERY TANK	1
402	26-9-074-1	TOP RECOVERY TANK DECAL	1
403	91-2-099-0	1/4-20 X 3/8 TRUSS HEAD PHILLIPS MACHINE SCREW	6
404	26-9-106-1	COVER PLATE GASKET	1
405	26-9-104-1	FILTER, VAC MOTOR INTAKE	1
406	91-2-121-0	1/4-20 X 5/8 HEX BOLT	4
407	91-2-088-0	1/4 SPLIT LOCK WASHER	4
408	26-9-102-3	FLOAT STACK	1
409	26-9-103-1	FLOAT STACK GASKET	1
410	91-2-036-0	10-24 HEX NUT WITH STAR LOCK WASHER	2
411	91-2-045-0	10-24 X 1 ROUND HEAD PHILLIPS MACHINE SCREW	1
412	91-2-079-0	10 X 5/8 PAN HEAD PHILLIPS SHEET METAL SCREW	5
413	26-9-088-1	RECOVERY TANK LID ASSEMBLY (INCL. ITEMS 414-416)	1
414	26-9-091-1	CLEAR LID, RECOVERY TANK	1
415	26-9-093-1	LID CHAIN, RECOVERY TANK	1
416	26-9-092-1	BLACK RING, RECOVERY TANK	1
417	26-9-089-1	RECOVERY TANK LID GASKET	1
418	27-9-188-1	PLUG STRAP	1
419	27-9-562-1	DRAIN PLUG	1
420	23-9-166-6	HOSE TUBE	1
421	23-9-216-1	TUBE HOSE CLAMP, CRIMP-ON TYPE	1
422	26-9-112-1	DRAIN HOSE, RECOVERY TANK	1
423	27-9-196-1	BATTERY COVER LABEL - NSS/HORSE	1
424	44-9-544-1	HOSE CLAMP, 1 9/16"-2 1/2" DIA.	1
425	26-9-101-1	RECOVERY TANK	1
426	26-9-207-1	RIGHT SIDE LABEL, RECOVERY TANK 27 F/B	1
	26-9-208-1	LEFT SIDE LABEL, RECOVERY TANK 27 F/B	1
	26-9-307-1	RIGHT SIDE LABEL, RECOVERY TANK 33 F/B	1
	26-9-308-1	LEFT SIDE LABEL, RECOVERY TANK 33 F/B	1
427	48-9-408-1	NYLON HOSE CLAMP, DIA. 1.593-1.812	1
428	23-9-154-1	FLOAT SCREEN ASSEMBLY	1
429	26-9-066-1	VS (VARIABLE SPEED) DECAL	2
430	26-9-096-1	RECOVERY TANK STRAP	1
431	91-2-099-0	1/4-20 X 3/8 TRUSS HEAD PHILLIPS MACHINE SCREW	1
432	26-9-108-1	VACUUM EXHAUST MUFFLER	1
433	91-2-109-0	1/4-20 X 1/2 TRUSS HEAD PHILLIPS MACHINE SCREW	2
434	06-9-076-1	PLUG BUTTON	2
435	26-9-058-1	FULLY INSULATED MALE TERM. 10-12 GAGE	2
436	91-2-136-0	1/4-20 X 4 HEX BOLT	3
437	48-9-085-1	CABLE CLAMP, #COV-090 KMC	1
438	26-9-070-1	LOCKING TAB, VAC MOTOR	3
439	26-9-055-1	VAC MOTOR, 36 V	1
	27-9-257-1	REPLACEMENT CARBON BRUSH	2
	26-9-915-9	VAC MOTOR W/GASKET AND TERMINALS (INCL. ITEMS 433, 437, 438)	1
440	02-9-433-1	MOTOR SEAL GASKET	1
441	91-2-051-0	10-24 X 1/2 TRUSS HEAD PHILLIPS MACHINE SCREW	4
442	26-9-110-1	MUFFLER COVER	1
443	26-9-109-1	FILTER, MUFFLER	1
444	91-2-052-0	10-24 X 5/8 TRUSS HEAD PHILLIPS MACHINE SCREW	1
445	91-2-032-0	#10 SPLIT LOCK WASHER	1
446	91-2-037-0	7/32 I.D. X 1/2 O.D. X .032/.065 THICK SAE FLAT WASHER (#10)	1
447	52-9-420-1	NYLON CABLE CLAMP	1

RECOVERY TANK ASSEMBLY

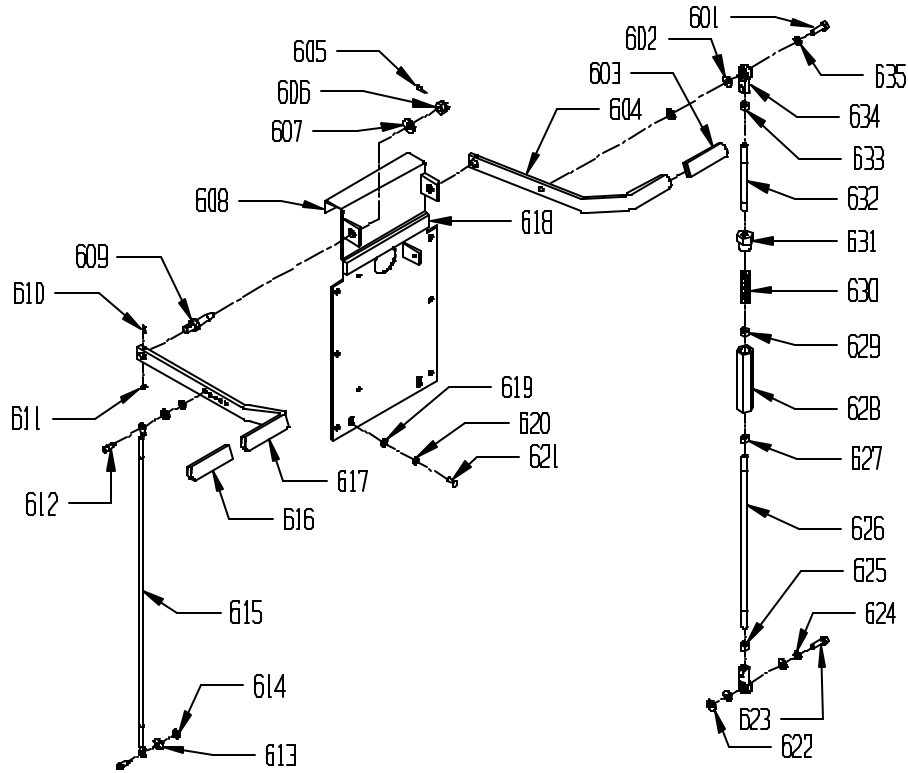


SOLUTION TANK ASSEMBLY



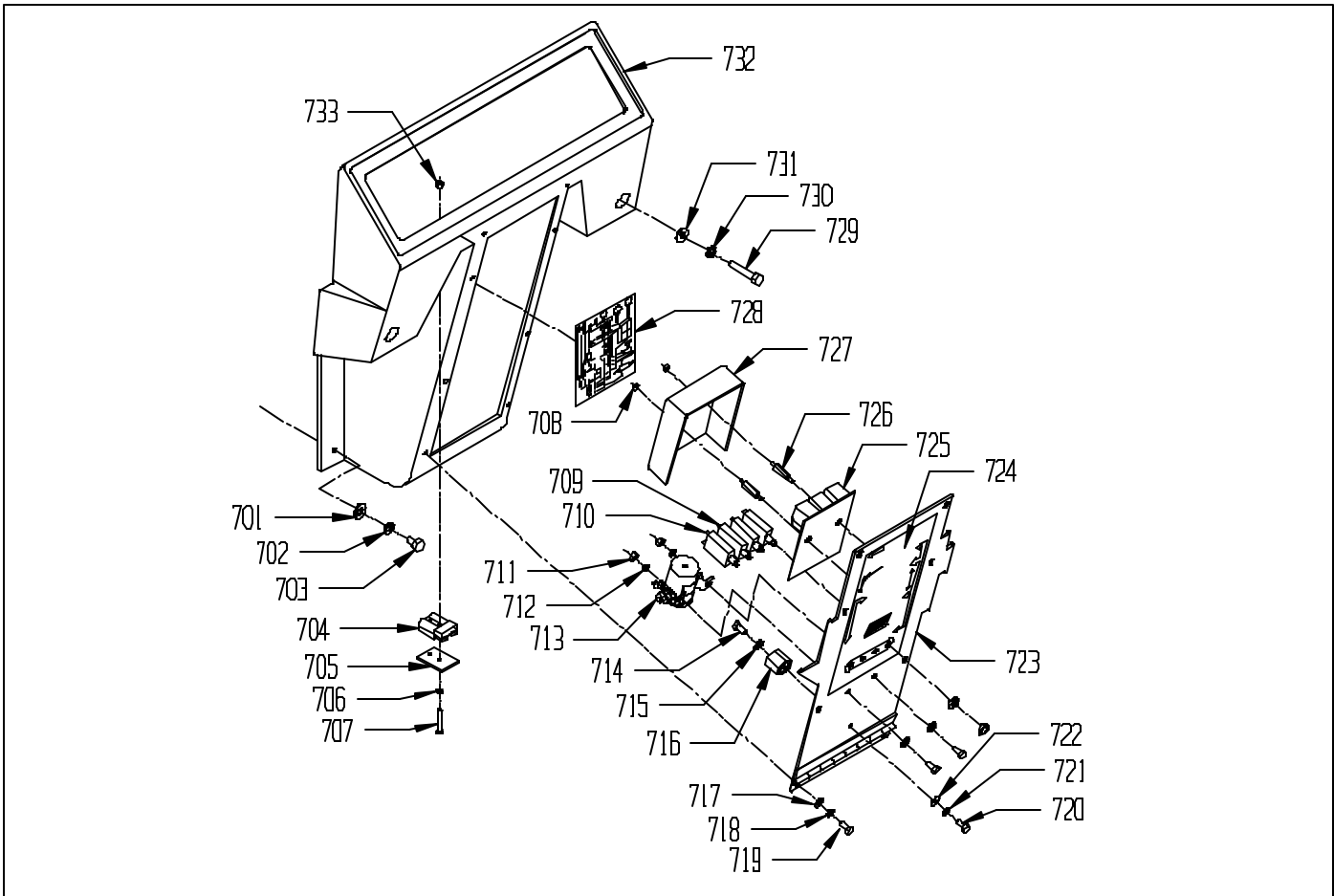
ITEM	PART NO.	DESCRIPTION	QTY
501	91-2-093-0	9/32 I.D. X 5/8 O.D. X .051/.080 THICK SAE FLAT WASHER (1/4)	3
502	91-2-088-0	1/4 SPLIT LOCK WASHER	3
503	91-2-117-0	1/4-20 X 1/2 HEX BOLT	3
504	26-9-111-1	SOLUTION TANK	1
505	91-2-198-0	7/16 I.D. X 1 O.D. X .075/.080 THICK SAE FLAT WASHER (3/8)	2
506	91-2-210-0	3/8 SPLIT LOCK WASHER	2
507	91-2-222-0	3/8-16 X 3/4 HEX BOLT	2
508	48-9-188-1	90 DEGREE HOSE BARB - 3/8" NPT	1
509	23-9-248-1	HOSE CLAMP, 7/32" -5/8" DIA.	1
510	26-9-113-7	VINYL HOSE 3/8" I.D. X 24" LONG	1
511	33-9-066-1	HOSE CONTROL VALVE	1
512	26-9-097-1	HOSE CLIP	1
513	91-2-093-0	9/32 I.D. X 5/8 O.D. X .051/.080 THICK SAE FLAT WASHER (1/4)	1
514	91-2-088-0	1/4 SPLIT LOCK WASHER	1
515	91-2-125-0	1/4-20 X 3/4 HEX BOLT WITH NYLON PATCH	1
516	26-9-196-1	1/2 HOSE BARB 90 DEGREE X 3/8 MPT	1
517	36-9-018-1	HOSE CLAMP, DIA 1/4"-13/16"	2
518	26-9-173-1	SOLUTION TANK DRAIN FITTING	1
519	23-9-214-1	HOSE CLAMP, 11/16"-1 1/4" DIA.	1
520	26-9-255-1	CONVOLUTED TUBING 6.5"	1
521	26-9-358-7	VINYL HOSE, 3/4" I.D. X 22" LONG	1
522	26-9-081-1	SOLUTION DRAIN HOSE GAUGE DECAL	1
523	23-9-177-1	90 DEGREE HOSE BARB	1
524	23-9-158-1	SPRING TUBE ADAPTOR	1
525	91-2-036-0	10-24 HEX NUT WITH STAR LOCK WASHER	1
526	26-9-085-3	TUBE ADAPTOR, W27-33 F/B	1
527	26-9-088-1	GASKET, TUBE ADAPTOR	1
528	26-9-107-1	HINGE, RECOVERY TANK	1
529	91-2-032-0	#10 SPLIT LOCK WASHER	1
530	91-2-038-0	10-24 X 3/8 ROUND HEAD PHILLIPS MACHINE SCREW	1
531	48-9-085-1	CABLE CLAMP, #COV-090 KMC	1
532	26-9-429-1	BATTERY & CHARGING LABEL	1
533	91-2-099-0	1/4-20 X 3/8 TRUSS HEAD PHILLIPS MACHINE SCREW	1
534	26-9-119-1	BATTERY COMPARTMENT PLUG	1
535	91-2-117-0	1/4-20 X 1/2 HEX BOLT	13
536	91-2-088-0	1/4 SPLIT LOCK WASHER	13
537	26-9-079-1	DECAL, SOLUTION TANK	1
538	48-9-020-9	SOLUTION TANK FILTER ASSEMBLY	1
539	26-9-178-3	FRONT COVER RETAINER	1
540	26-9-167-1	FRONT COVER	1
541	26-9-168-1	FRONT COVER BRACKET	1
542	91-2-055-0	10-24 X 5/8 FLAT HEAD PHILLIPS MACHINE SCREW	4
543	26-9-077-1	FRONT DECAL SOLUTION TANK	1

LIFT LEVER ASSEMBLY



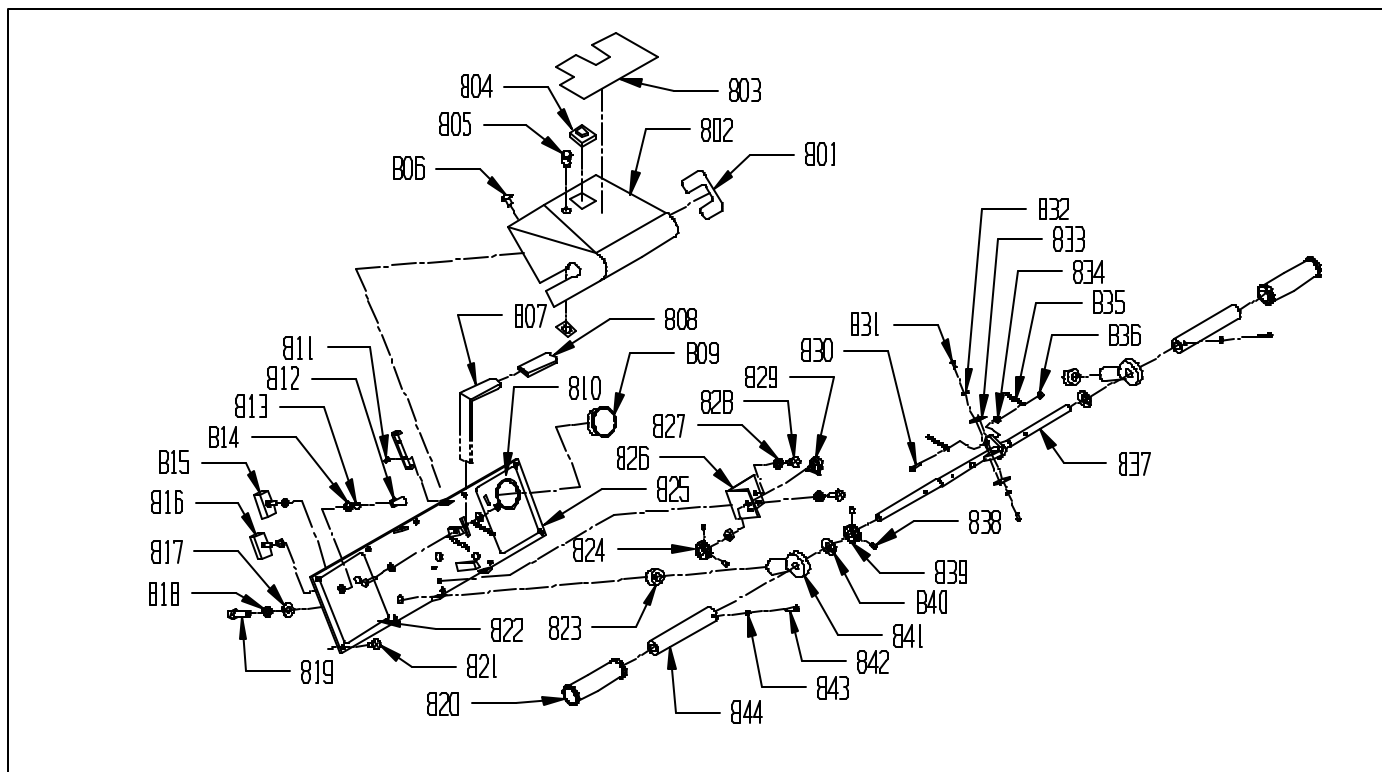
ITEM	PART NO.	DESCRIPTION	QTY
601	91-2-226-0	3/8-16 X 1 HEX BOLT	1
602	91-2-198-0	7/16 I.D. X 1 O.D. X .075/.080 THICK SAE FLAT WASHER (3/8)	2
603	26-9-098-1	LIFT HANDLE GRIP	1
604	26-9-137-3	LIFT HANDLE, BRUSH	1
605	52-9-652-1	1/8 X 1 HUMPED COTTER PIN	1
606	23-9-271-1	1/2-13 HEX SLOTTED NUT	2
607	91-2-245-0	17/32 I.D. X 1 1/16 O.D. X .074/.121 THICK SAE FLAT WASHER (1/2)	2
608	26-9-513-3	LIFT ARM PLATE	1
609	24-9-066-1	PIVOT STUD	2
610	23-9-195-1	3/16 X 1 3/16 CLEVIS PIN	2
611	23-9-256-1	CIRCLE COTTER - #CC-7	2
612	91-2-202-0	3/8 X 3/8 SOCKET HEAD SHOULDER BOLT	2
613	91-2-139-0	11/32 I.D. X 1 1/16 O.D. X .051/.080 THICK SAE FLAT WASHER (5/16)	2
614	91-2-152-0	5/16 SPLIT LOCK WASHER	2
615	26-9-426-1	LIFT CABLE, SQUEEGEE	1
616	26-9-098-1	LIFT HANDLE GRIP	1
617	26-9-164-3	LIFT HANDLE, SQUEEGEE	1
618	26-9-359-7	NEOPRENE GASKET 1" X 1/4" X 8" LONG	1
619	91-2-139-0	11/32 I.D. X 1 1/16 O.D. X .051/.080 THICK SAE FLAT WASHER (5/16)	2
620	91-2-152-0	5/16 SPLIT LOCK WASHER	2
621	91-2-164-0	5/16-18 X 3/4 HEX BOLT	2
622	91-2-198-0	7/16 I.D. X 1 O.D. X .075/.080 THICK SAE FLAT WASHER (3/8)	3
623	91-2-230-0	3/8-16 X 1 1/4 HEX BOLT	1
624	91-2-210-0	3/8 SPLIT LOCK WASHER	1
625	91-2-201-0	3/8-24 HEX NUT	1
626	26-9-180-1	MEDIUM LIFT ROD, BRUSH	1
627	91-2-200-0	3/8-16 HEX NUT	1
628	26-9-182-1	SPRING HOUSING, BRUSH LIFT	1
629	91-2-214-0	3/8-16 HEX NUT WITH NY-LOK INSERT	1
630	26-9-184-1	SPRING, BRUSH PRESSURE	1
631	26-9-183-1	SPRING HOUSING, RETAINER	1
632	26-9-181-1	SHORT LIFT ROD, BRUSH	1
633	91-2-201-0	3/8-24 HEX NUT	1
634	44-9-053-1	3/8" ROD END	2
635	91-2-210-0	3/8 SPLIT LOCK WASHER	1

REAR COVER PANEL ASSEMBLY



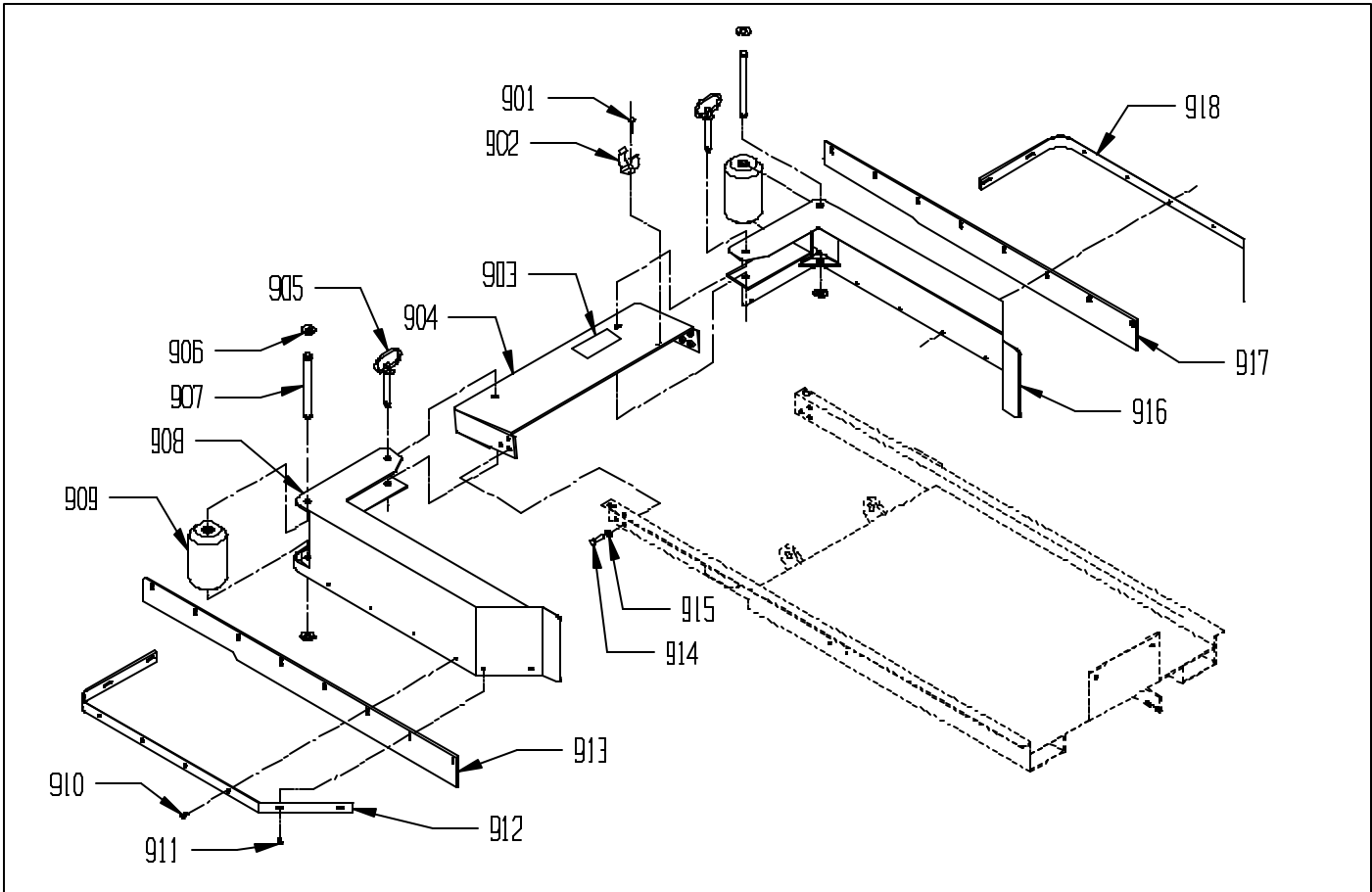
ITEM	PART NO.	DESCRIPTION	QTY
701	91-2-093-0	9/32 I.D. X 5/8 O.D. X .051/.080 THICK SAE FLAT WASHER (1/4)	5
702	91-2-088-0	1/4 SPLIT LOCK WASHER	5
703	91-2-121-0	1/4-20 X 5/8 HEX BOLT	5
704	26-9-047-1	CHARGER PLUG ONLY, GRAY 36 V	1
705	26-9-027-1	CHARGER PLUG PROTECTION PLATE	1
706	91-2-003-0	#6 SPLIT LOCK WASHER	2
707	91-2-011-0	6-32 X 1 1/8 PAN HEAD PHILLIPS MACHINE SCREW	2
708	91-2-019-0	8-32 HEX NUT WITH NY-LOK INSERT	2
709	26-9-411-1	20 AMP CIRCUIT BREAKER	1
710	26-9-412-1	25 AMP CIRCUIT BREAKER	3
711	91-2-090-0	1/4-20 HEX NUT WITH NY-LOK INSERT	2
712	91-2-093-0	9/32 I.D. X 5/8 O.D. X .051/.080 THICK SAE FLAT WASHER (1/4)	2
713	27-9-202-1	SOLENOID - CONTACTOR	1
714	91-2-121-0	1/4-20 X 5/8 HEX BOLT	1
715	91-2-088-0	1/4 SPLIT LOCK WASHER	1
716	44-9-056-1	INSULATED STANDOFF	1
717	91-2-093-0	9/32 I.D. X 5/8 O.D. X .051/.080 THICK SAE FLAT WASHER (1/4)	8
718	91-2-088-0	1/4 SPLIT LOCK WASHER	8
719	91-2-117-0	1/4-20 X 1/2 HEX BOLT	8
720	91-2-121-0	1/4-20 X 5/8 HEX BOLT	3
721	91-2-088-0	1/4 SPLIT LOCK WASHER	1
722	91-2-093-0	9/32 I.D. X 5/8 O.D. X .051/.080 THICK SAE FLAT WASHER (1/4)	3
723	26-9-401-3	REAR COVER PANEL, CURTIS	1
724	26-9-001-1	REAR PANEL DECAL	1
725	26-9-002-1	SPEED CONTROL, CURTIS	1
726	26-9-403-1	COVER STANDOFF, CURTIS	2
727	26-9-402-1	SPEED CONTROL COVER, CURTIS	1
728	26-9-430-1	WIRING DIAGRAM DECAL	1
729	91-2-234-0	3/8-16 X 2 HEX BOLT	2
730	91-2-210-0	3/8 SPLIT LOCK WASHER	2
731	91-2-198-0	7/16 I.D. X 1 O.D. X .075/.080 THICK SAE FLAT WASHER (3/8)	2
732	26-9-130-1	CONTROL PANEL	1
733	91-2-002-0	6-32 HEX NUT WITH STAR LOCK WASHER	2

OPERATOR CONTROL ASSEMBLY



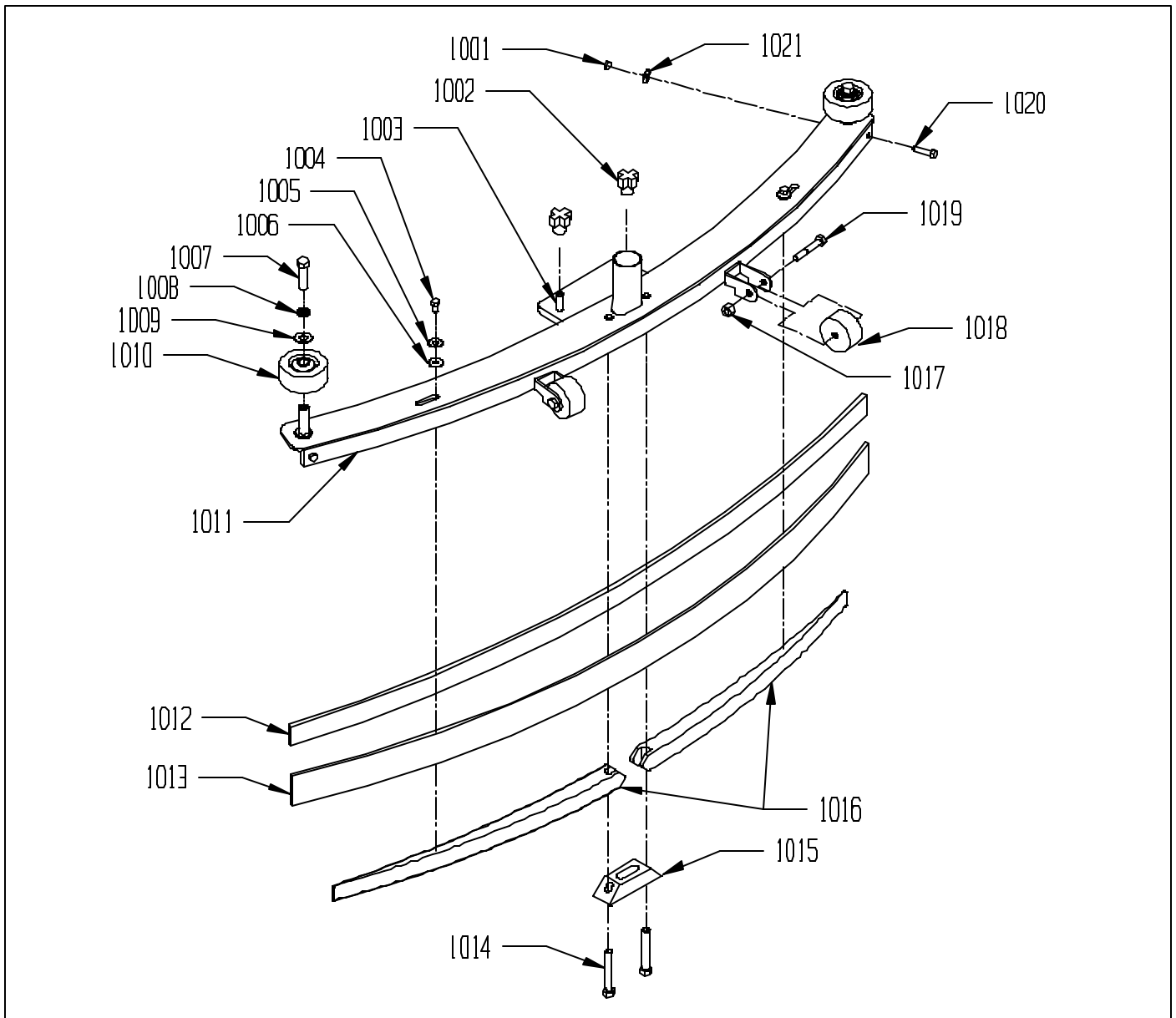
ITEM	PART NO.	DESCRIPTION	QTY
801	26-9-073-1	SOLUTION CONTROL DECAL	1
802	26-9-233-1	CONTROL PANEL COVER - MASTER SWITCH	1
803	26-9-231-1	OPERATION DECAL, TOP COVER	1
804	26-9-069-1	MASTER SWITCH	1
	48-9-078-1	PUSH BUTTON SWITCH BOOT	1
805	26-9-198-1	INDICATOR LIGHT, GREEN W/ CLIP	1
806	91-2-109-0	1/4-20 X 1/2 TRUSS HEAD PHILLIPS MACHINE SCREW	4
807	26-9-028-3	SOLUTION VALVE LEVER	1
808	23-9-118-1	GRIP, VALVE LEVER	1
809	26-9-509-1	BATTERY METER DECAL	1
810	44-9-105-1	BATTERY METER	1
811	91-2-002-0	6-32 HEX NUT WITH STAR LOCK WASHER	2
812	06-9-314-1	RUBBER SWITCH BOOT	2
813	06-9-185-1	1/2" SWITCH LOCK WASHER	2
814	10-9-987-1	.516 I.D. X .813 O.D. X .027/.030 THICK FLAT WASHER	2
815	27-9-204-1	TOGGLE SWITCH - VAC	1
816	44-9-110-1	TOGGLE SWITCH - MOTOR	1
817	91-2-245-0	17/32 I.D. X 1 1/16 O.D. X .074/.121 THICK SAE FLAT WASHER (1/2)	2
818	91-2-242-0	1/2 SPLIT LOCK WASHER	2
819	91-2-257-0	1/2-20 X 1 3/4 HEX BOLT	2
820	26-9-188-1	HANDLE GRIP	2
821	91-2-099-0	1/4-20 X 3/8 TRUSS HEAD PHILLIPS MACHINE SCREW	10
822	26-9-409-1	LEFT CONTROL PLATE LABEL - 2 SWITCH	1
823	26-9-189-1	HANDLE BAR SPACER	2
824	26-9-194-1	DRIVEN GEAR, POTENTIOMETER	1
825	26-9-404-3	CONTROL PLATE, CURTIS	1
826	26-9-186-1	POTENTIOMETER BRACKET	1
827	91-2-097-0	1/4 EXTERNAL STAR LOCK WASHER	2
828	91-2-099-0	1/4-20 X 3/8 TRUSS HEAD PHILLIPS MACHINE SCREW	2
829	26-9-413-1	POTENTIOMETER - CURTIS	1
830	91-2-047-0	10-24 X 1 1/2 ROUND HEAD PHILLIPS MACHINE SCREW	2
831	91-2-007-0	6-32 X 3/8 ROUND HEAD PHILLIPS MACHINE SCREW	2
832	91-2-013-0	#6 EXTERNAL STAR LOCK WASHER	2
833	26-9-071-1	STOP PLATE - POTENTIOMETER ROTATION	2
834	91-2-036-0	10-24 HEX NUT WITH STAR LOCK WASHER	2
835	26-9-197-1	SPRING, CONTROL HANDLE RETURN	2
836	91-2-035-0	10-24 HEX NUT WITH NY-LOK INSERT	2
837	26-9-191-1	HANDLE BAR	1
838	91-2-017-0	8-32 X 3/16 SET SCREW - KNURL POINT - STEEL	4
839	26-9-193-1	DRIVE GEAR, HANDLE	1
840	50-9-170-1	RETAINING RING	2
841	23-9-194-1	BALL JOINT	2
842	91-2-027-0	8-32 X 7/8 ROUND HEAD PHILLIPS MACHINE SCREW	2
843	91-2-020-0	#8 SPLIT LOCK WASHER	2
844	26-9-187-1	HANDLE GRIP BASE	2

SKIRT ASSEMBLY



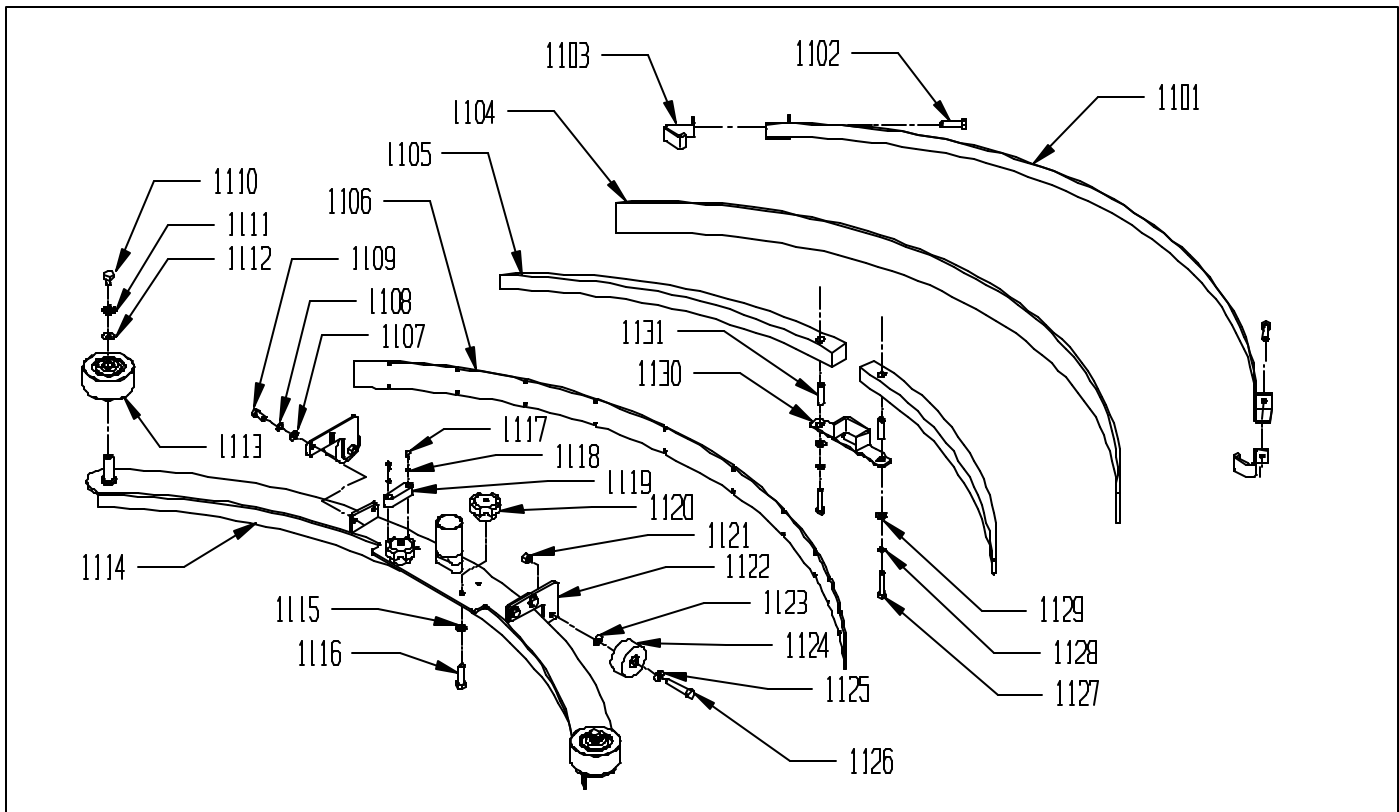
ITEM	PART NO.	DESCRIPTION	QTY.
901	23-9-175-1	1/8 X 5/8 DOME HEAD POP RIVET - STEEL	2
902	23-9-213-1	SPRING CLIP, HOSE	1
903	26-9-083-1	RECOVERY TANK DRAIN LABEL	1
904	26-9-205-3	MOUNT BRACKET, SIDE SKIRTS - 27	1
	26-9-305-3	MOUNT BRACKET, SIDE SKIRTS - 33	1
905	26-9-149-1	PIN, SKIRT	2
906	50-9-170-1	RETAINING RING	4
907	26-9-116-1	AXLE ROLLER WHEEL	2
908	26-9-211-3	LEFT SIDE SKIRT - 27	1
	26-9-913-9	LEFT SIDE SKIRT ASSEMBLY W27 F/B (INCL. ITEMS 906-913)	1
	26-9-311-3	LEFT SIDE SKIRT - 33	1
	26-9-924-9	LEFT SIDE SKIRT ASSEMBLY W33 F/B (INCL. ITEMS 906-913)	1
909	26-9-115-1	SKIRT BUMPER WHEEL	2
910	91-2-054-0	10-24 X 1/2 FLAT HEAD PHILLIPS MACHINE SCREW	8
911	91-2-041-0	10-24 X 1/2 ROUND HEAD PHILLIPS MACHINE SCREW	8
912	26-9-219-1	LEFT SKIRT STRAP - 27	1
	26-9-316-1	LEFT SKIRT STRAP - 33	1
913	26-9-217-1	LEFT WIPER - 27	1
	26-9-314-1	LEFT WIPER - 33	1
914	91-2-164-0	5/16-18 X 3/4 HEX BOLT	6
915	91-2-152-0	5/16 SPLIT LOCK WASHER	6
916	26-9-210-3	RIGHT SIDE SKIRT-27	1
	26-9-912-9	RIGHT SIDE SKIRT ASSEMBLY W27 F/B (INCL. ITEMS 906, 907, 909-911, 916-918)	1
	26-9-310-3	RIGHT SIDE SKIRT - 33	1
	26-9-923-9	RIGHT SIDE SKIRT ASSEMBLY W33 F/B (INCL. ITEMS 906, 907, 909-911, 916-918)	1
917	26-9-214-1	RIGHT SIDE WIPER -27	1
	26-9-314-1	RIGHT SIDE WIPER - 33	1
918	26-9-216-1	RIGHT SKIRT STRAP - 27	1
	26-9-316-1	RIGHT SKIRT STRAP - 33	1

CURVED SQUEEGEE ASSEMBLY



ITEM	PART NO.	DESCRIPTION	QTY
1001	91-2-145-0	5/16-18 HEX NUT WITH NY-LOK INSERT	2
1002	27-9-100-2	SQUEEGEE KNOB	2
1003	91-2-192-0	5/16-18 X 1 1/2 SOCKET HEAD CAP SCREW	2
1004	91-2-168-0	5/16-18 X 1 HEX BOLT	2
1005	91-2-152-0	5/16 SPLIT LOCK WASHER	2
1006	91-2-129-0	11/32 I.D. X 11/16 O.D. X .051/.080 THICK SAE FLAT WASHER (5/16)	2
1007	91-2-156-0	5/16-18 X 1/2 HEX BOLT	2
1008	91-2-141-0	5/16 EXTERNAL STAR LOCK WASHER	2
1009	91-2-129-0	11/32 I.D. X 11/16 O.D. X .051/.080 THICK SAE FLAT WASHER (5/16)	2
1010	27-9-028-1	BUMPER WHEEL	2
1011	26-9-371-3	SQUEEGEE PLATE ASSEMBLY	1
1012	26-9-368-1	FRONT BLADE (BLACK)	1
1013	26-9-369-1	REAR BLADE (TAN)	1
1014	91-2-234-0	3/8-16 X 2 HEX BOLT	2
1015	24-9-367-2	CENTER WEDGE	1
1016	26-9-365-2	END WEDGE	2
1017	91-2-145-0	5/16-18 HEX NUT WITH NY-LOK INSERT	2
1018	30-9-674-1	ROLLER WHEEL	2
1019	91-2-176-0	5/16-18 X 3/4 HEX BOLT	2
1020	91-2-178-0	5/16-18 X 1 1/2 HEX BOLT	2
1021	91-2-129-0	11/32 I.D. X 11/16 O.D. X .051/.080 THICK SAE FLAT WASHER (5/16)	2

CURVED SQUEEGEE ASSEMBLY

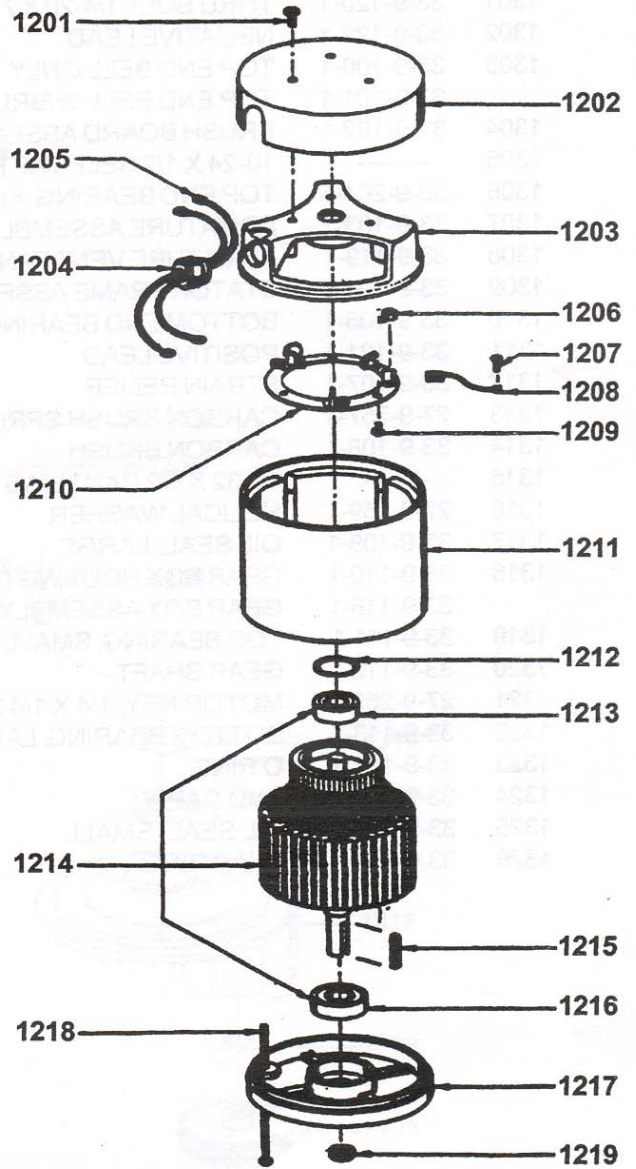


ITEM	PART NO.	DESCRIPTION	QTY.
1101	26-9-284-1	REAR SECURING STRAP WRANGLER 27	1
	26-9-384-1	REAR SECURING STRAP WRANGLER 33	1
1102	91-2-172-0	5/16-18 X 1 1/4 FULL THREADED HEX HEAD BOLT	2
1103	24-9-256-1	HOOKED END	2
1104	26-9-283-1	REAR BLADE WRANGLER 27	1
	26-9-383-1	REAR BLADE WRANGLER 33	1
1105	26-9-281-1	CENTER WEDGE WRANGLER 27	2
	26-9-381-1	CENTER WEDGE WRANGLER 33	2
1106	26-9-282-1	FRONT BLADE WRANGLER 27	1
	26-9-382-1	FRONT BLADE WRANGLER 33	1
1107	91-2-093-0	9/32 I.D. X 5/8 O.D. X .051/.080 THICK SAE FLAT WASHER (1/4)	4
1108	91-2-088-0	1/4 SPLIT LOCK WASHER	4
1109	91-2-121-0	1/4-20 X 5/8 HEX BOLT	4
1110	91-2-156-0	5/16-18 X 1/2 HEX BOLT	2
1111	91-2-141-0	5/16 EXTERNAL STAR LOCK WASHER	2
1112	91-2-139-0	11/32 I.D. X 11/16 O.D. X .051/.080 THICK SAE FLAT WASHER (5/16)	2
1113	27-9-028-1	BUMPER WHEEL	2
1114	26-9-280-3	SQUEEGEE HOUSING WRANGLER 27	1
	26-9-279-9	CURVED SQUEEGEE ASSEMBLY WRANGLER 27	1
	26-9-380-3	SQUEEGEE HOUSING WRANGLER 33	1
	26-9-379-9	CURVED SQUEEGEE ASSEMBLY WRANGLER 33	1
1115	91-2-152-0	5/16 SPLIT LOCK WASHER	2
1116	91-2-172-0	5/16-18 X 1 1/4 FULL THREADED HEX HEAD BOLT	2
1117	91-2-007-0	6-32 X 3/8 ROUND HEAD PHILLIPS MACHINE SCREW	2
1118	91-2-003-0	#6 SPLIT LOCK WASHER	2
1119	24-9-258-1	SQUEEGEE LEVEL	1
1120	27-9-100-2	SQUEEGEE KNOB	2
1121	91-2-145-0	5/16-18 HEX NUT WITH NY-LOK INSERT	2
1122	24-9-257-1	DOLLY WHEEL MOUNTING BRACKET	2
1123	91-2-139-0	11/32 I.D. X 11/16 O.D. X .051/.080 THICK SAE FLAT WASHER (5/16)	2
1124	30-9-674-1	ROLLER WHEEL	2
1125	91-2-139-0	11/32 I.D. X 11/16 O.D. X .051/.080 THICK SAE FLAT WASHER (5/16)	2
1126	91-2-176-0	5/16-18 X 1 3/4 HEX BOLT	2
1127	91-2-128-0	1/4-20 X 1 1/2 HEX BOLT	2
1128	91-2-088-0	1/4 SPLIT LOCK WASHER	2
1129	91-2-093-0	9/32 I.D. X 5/8 O.D. X .051/.080 THICK SAE FLAT WASHER (1/4)	2
1130	24-9-254-1	CENTER HOLD DOWN	1
1131	24-9-259-1	CENTER HOLD DOWN SPACER	2

DRIVE MOTOR

Part No. 27-9-010-1

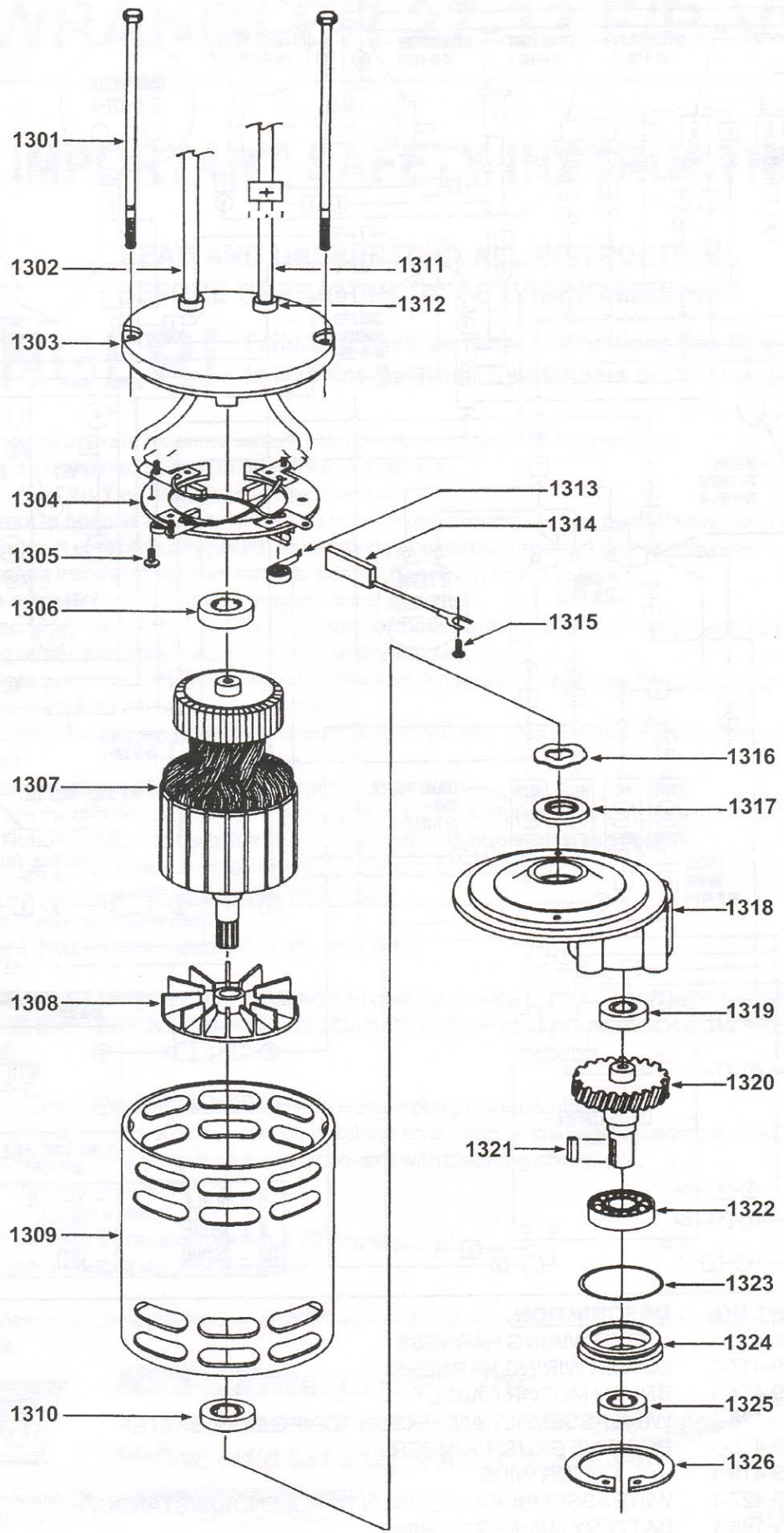
1201	-----	PAN HEAD SCREW	3
1202	27-9-772-1	TOP COVER	1
1203	27-9-767-1	TOP END BELL W/BRUSH RING ASSEMBLY	1
1204	27-9-763-1	HEYCO STRAIN RELIEF LEAD ASSEMBLY (1 WIRE W/TERMINALS)	1
1205	27-9-758-1	BRUSH SPRING	2
1206	27-9-757-1	10-32 X 3/8 BRASS PAN HEAD SCREW	4
1207	-----	BRUSH ASSEMBLY (CARBON BRUSH W/LEAD & TERMINAL)	4
1208	27-9-769-1	10-24 X 1/2 SELF TAPPING ROUND HEAD SCREW	4
1209	-----	BRUSH BOARD ASSEMBLY W/SPRINGS & BRUSHES	3
1210	27-9-768-1	STATOR FRAME ASSEMBLY W/MAGNETS	1
1211	27-9-765-1	HELICAL WASHER	1
1212	27-9-759-1	BEARING TOP END (COMMUTATOR END)	1
1213	50-9-204-1	ARMATURE ASSEMBLY W/BEARINGS	1
1214	27-9-766-1	SHAFT KEY	1
1215	27-9-268-1	BEARING, BOTTOM END (SHAFT END)	1
1216	27-9-031-1	BOTTOM END BELL	1
1217	27-9-771-1	THRU BOLT	2
1218	27-9-770-1	SHAFT SEAL	1
1219	27-9-773-1		1

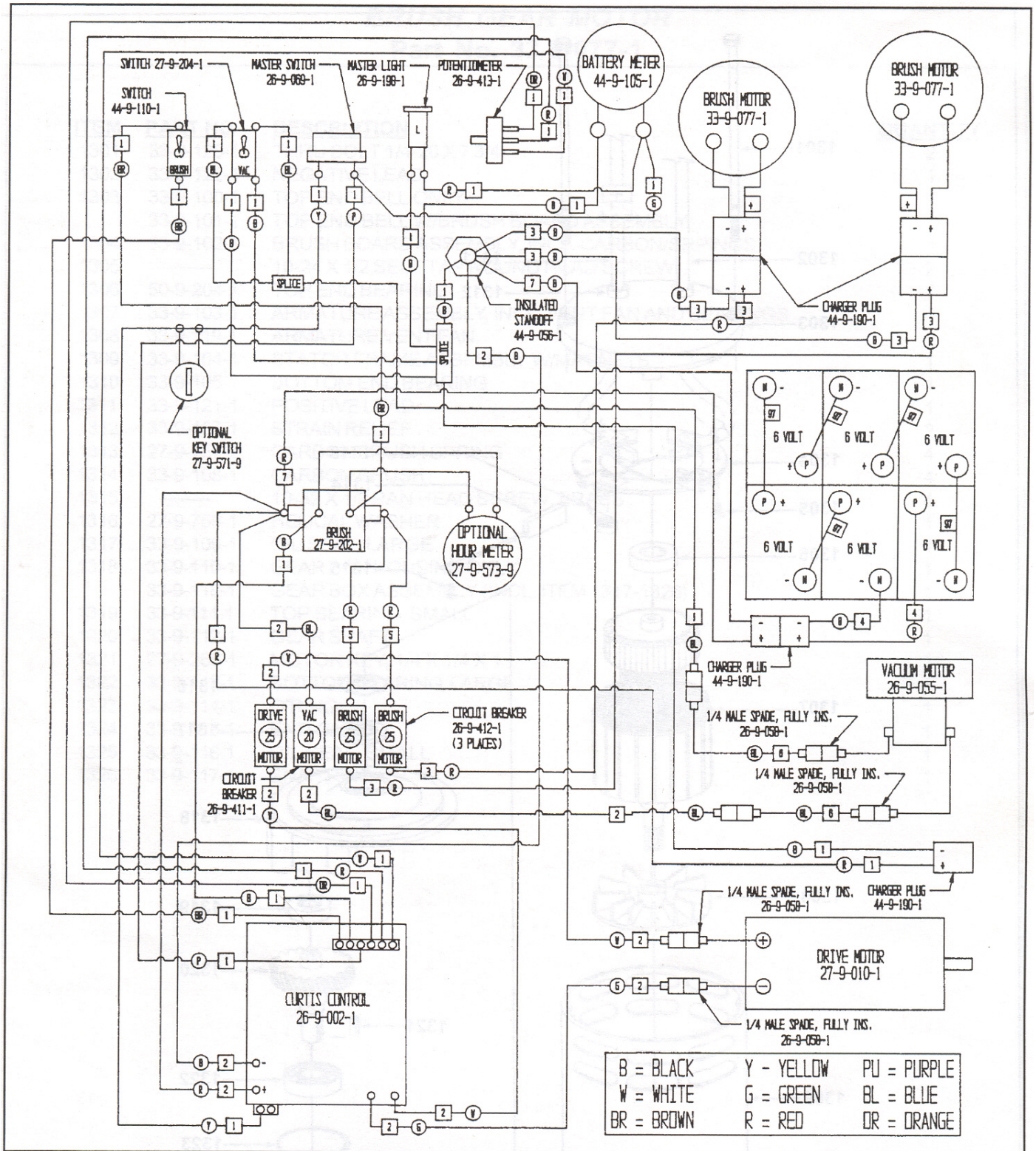


BRUSH GEAR MOTOR ASSEMBLY

Part No. 33-9-077-1

<u>ITEM</u>	<u>PART NO.</u>	<u>DESCRIPTION</u>	<u>QUANTITY</u>
1301	33-9-120-1	THRU BOLT 1/4-20 X 7 3/4	2
1302	33-9-122-1	NEGATIVE LEAD	1
1303	33-9-100-1	TOP END BELL ONLY	1
	33-9-101-1	TOP END BELL W/BRUSH BOARD ASSEMBLY	1
1304	33-9-102-1	BRUSH BOARD ASSEMBLY, INCL. CARBON/SRPNINGS	1
1305	-----	10-24 X 1/2 SELF TAP ROUND HEAD SCREW	2
1306	50-9-204-1	TOP END BEARING	1
1307	33-9-103-1	ARMATURE ASSEMBLY, INCL. VENT FAN AND BEARINGS	1
1308	33-9-119-1	ARMATURE VENT FAN	1
1309	33-9-104-1	STATOR FRAME ASSEMBLY W/MAGNETS	1
1310	33-9-105-1	BOTTOM END BEARING	1
1311	33-9-121-1	POSITIVE LEAD	1
1312	33-9-107-1	STRAIN RELIEF	2
1313	27-9-757-1	CARBON BRUSH SPRING	4
1314	33-9-108-1	CARBON BRUSH	4
1315	-----	10-32 X 1/2 PAN HEAD SCREW, BRASS	4
1316	27-9-759-1	HELICAL WASHER	1
1317	33-9-109-1	OIL SEAL, LARGE	1
1318	33-9-110-1	GEAR BOX HOUSING ONLY	1
	33-9-118-1	GEAR BOX ASSEMBLY (INCL. ITEM 1317-1326)	1
1319	33-9-111-1	TOP BEARING, SMALL	1
1320	33-9-112-1	GEAR SHAFT	1
1321	27-9-268-1	MOTOR KEY, 1/4 X 1/4 X 1	1
1322	33-9-113-1	BOTTOM BEARING, LARGE	1
1323	33-9-114-1	O'RING	1
1324	33-9-115-1	END CAP	1
1325	33-9-116-1	OIL SEAL, SMALL	1
1326	33-9-117-1	SNAP RING	1





ITEM	PART NO.	DESCRIPTION	QUANTITY
1	26-9-416-1	UPPER WIRING HARNESS	1
2	26-9-417-1	LOWER WIRING HARNESS	1
3	26-9-414-1	BRUSH MOTOR CABLE	1
4	26-9-428-1	WIRE ASSEMBLY ANDERSON TO NEG./POS. BATTER	1
5	26-9-418-1	POSITIVE BRUSH JUMPER	1
6	26-9-419-1	VAC MOTOR WIRE	2
7	26-9-427-1	WIRE ASSEMBLY ANDERSON TO SOLENOIDS/STANDOFF	1
97	23-9-198-1	BATTERY JUMPER 3/8"RING	5