



WRANGLER

1503 AB

USA *Spare parts catalogue*

FR *Catalogue de pièces de rechange*

I *Catalogo parti di ricambio*



11/2010



NSS® Enterprises, Inc.

3115 Frenchmens Road, Toledo, Ohio 43607
PHONE: (419) 531-2121 FAX: (419) 531-3761

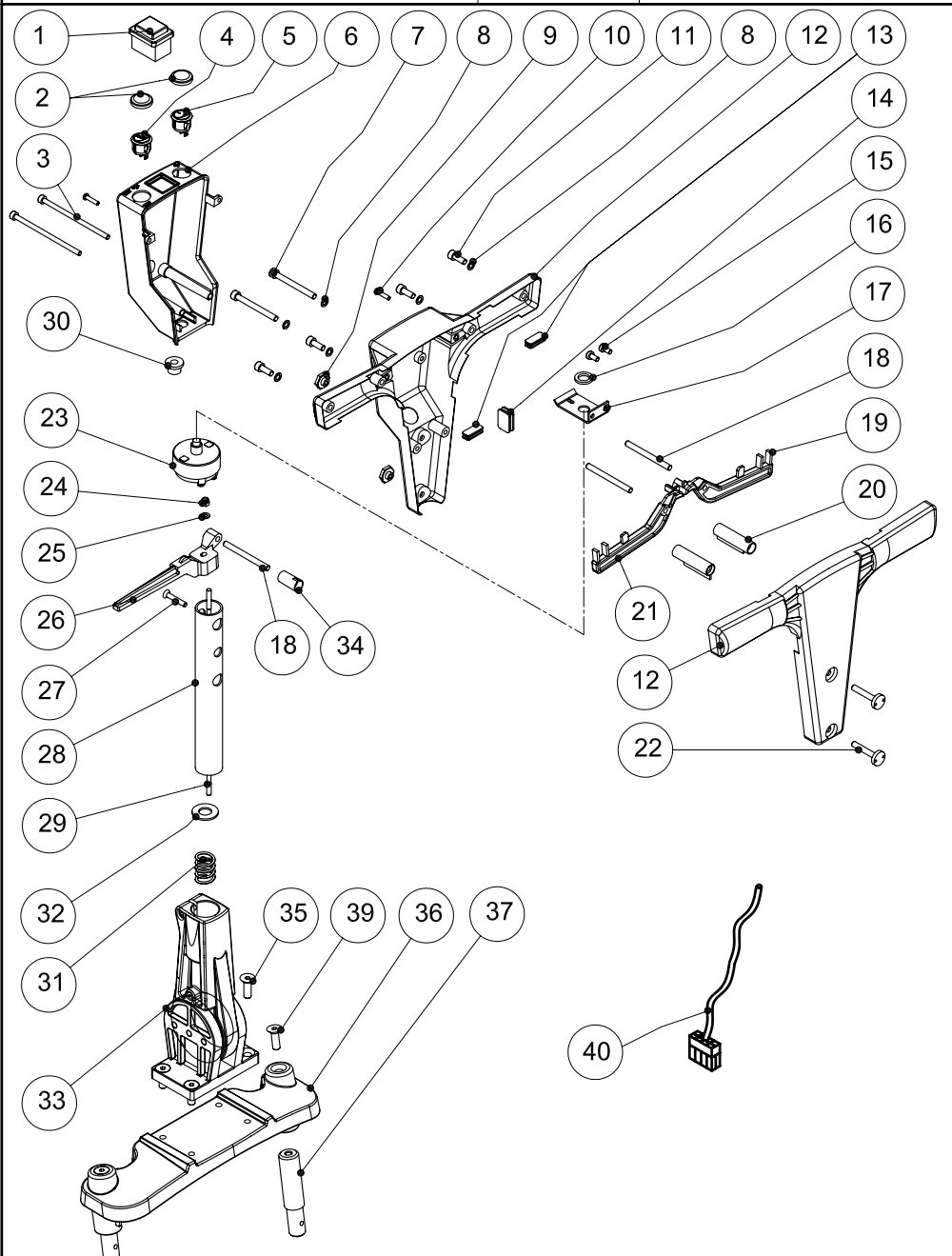
NSS® Enterprises, Inc. European Distribution Centre
Unit II Pinfold Trading Estate * 55 Nottingham Road
STAPLEFORD NOTTINGHAM NG9 8AD ENGLAND U.K.
PHONE: (44) 0115 939 1568 * FAX: (44) 0115 949 0615

TAV. N° 5038

TAV. N° 5038

HANDLE ASSEMBLY

22.0130.02



HANDLE ASSEMBLY

22.0130.02

POS.	DESCRIZIONE	DESCRIPTION	DESCRIPTION	Q.tà	COD.	NOTE
1	Indicatore scarica	Indicateur	Indicator	1	1290681	•
2	Cappuccio	Couverture	Cover	2	1290691	•
3	Vite	Vis	Screw	2	1290701	
4	Interruttore 1-0-2	Interrupteur 1-0-2	Switch 1-0-2	1	1290711	•
5	Interruttore 0-1	Interrupteur 0-1	Switch 0-1	1	1290721	•
6	Cruscotto	Tableau de bord	Panel	1	1290731	
7	Vite	Vis	Screw	2	1290741	
8	Rondella	Rondelle	Washer	6	1290751	
9	Dado	Ecrou	Nut	2	1290761	
10	Vite	Vis	Screw	2	1290771	
11	Vite	Vis	Screw	4	1290781	
12A	Impugnatura	Manchon	Handle	1	1290791	
12B	Impugnatura	Manchon	Handle	1	1291911	
13	Tappo	Bouchon	Cap	2	1290801	
14	Tappo	Bouchon	Cap	1	1290811	
15	Vite	Vis	Screw	2	1290821	
16	Rondella	Rondelle	Washer	1	1290831	
17	Staffa	Support	Support	1	1290841	
18	Spina	Pivot	Pin	3	1290851	
19	Leva sinistra	Levier gauche	Left lever	1	1290861	
20	Distanziale	Entretoise	Spacer	2	1290871	
21	Leva destra	Levier droite	Right lever	1	1290881	
22	Vite	Vis	Screw	2	1290891	
23	Interruttore	Interrupteur	Switch	1	1290901	
24	Dado	Ecrou	Nut	1	1290911	
25	Rondella	Rondelle	Washer	1	1290921	
26	Maniglia	Manchon	Handle	1	1290931	
27	Vite	Vis	Screw	1	1290941	
28	Stelo	Tube	Tube	1	1290951	
29	Asta	Barre	Bar	1	1290961	
30	Pressacavo	Passecâble	Fairleader	1	1290971	
31	Molla	Ressort	Spring	1	1290981	
32	Rondella	Rondelle	Washer	1	1290991	
33	Snodo	Articulation	Articulated joint	1	1291001	
34	Distanziale	Entretoise	Spacer	1	1291011	
35	Vite	Vis	Screw	2	1291021	
36	Piastra	Plaque	Plate	6	1291031	
37	Perno	Pivot	Pin	2	1291041	
39	Vite	Vis	Screw	2	1291051	
40	Cavo maniglione	Câble	Handle cable	1	1291061	

TAV. N° 5035

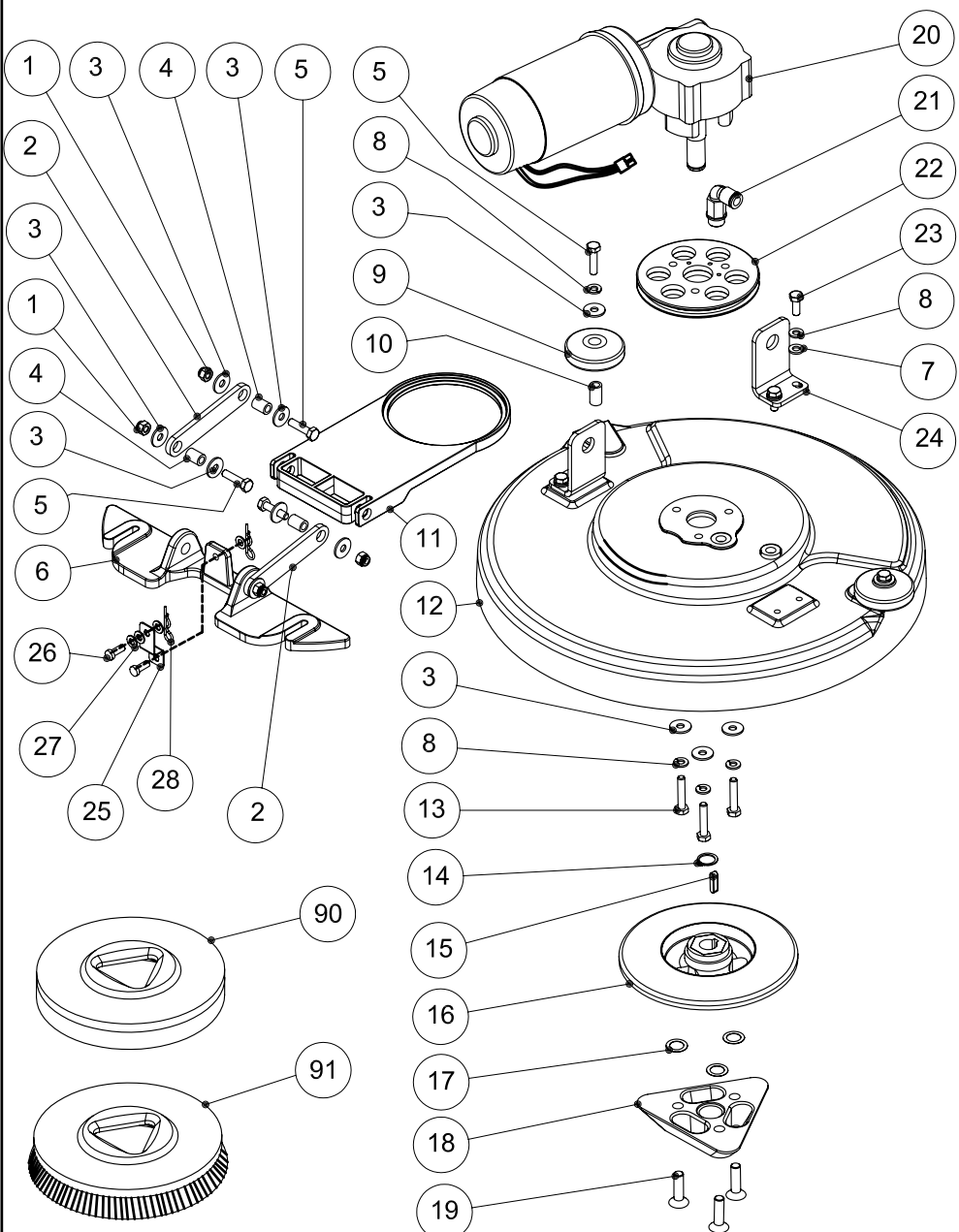
TAV. N° 5035

BRUSH ASSEMBLY

GH22.0208.00

BRUSH ASSEMBLY

GH22.0208.00



POS.	DESCRIZIONE	DESCRIPTION	DESCRIPTION	Q.tà	COD.	NOTE
1	Dado	Ecrou	Nut	4	1291071	
2	Braccetto	Barre	Bar	2	1291081	
3	Rondella	Rondelle	Washer	13	1291091	
4	Boccola	Bouille	Bush	4	1291101	
5	Vite	Vis	Screw	6	1291111	
6	Supporto tergitore	Support seceuer	Squeegee support	1	1291121	
7	Rondella	Rondelle	Washer	4	1291131	
8	Rondella	Rondelle	Washer	9	1291141	
9	Rotella paracolpi	Roue tampon	Bumper wheel	2	1291151	
10	Distanziale	Entretoise	Spacer	2	1291161	
11	Braccio	Barre	Bar	1	1291171	
12	Calotta	Carter	Carter	1	1291181	
13	Vite	Vis	Screw	3	1291191	
14	Seeger	Seeger	Seeger	1	1291201	
15	Linguetta	Languette	Tang	1	1291211	
16	Mozzo	Moyeu	Hub	1	1291221	
17	Rasamento	Racleur	Thrust washer	3	1291231	
18	Innesto	Manchon	Connecting sleeve	1	1291241	
19	Vite	Vis	Screw	3	1291251	
20	Motoriduttore	Moto réducteur	Gear motor	1	1291261	• 24 Vdc
21	Raccordo	Raccord	Connector	1	1291271	
22	Fulcro	Pivot	Fulcrum	2	1291281	
23	Vite	Vis	Screw	4	1291291	
24	Angolare	Angulaire	Angular	2	1291301	
25	Attacco	Raccordement	Coupling	1	1291311	
26	Perno	Pivot	Pin	2	1291321	
27	Rondella	Rondelle	Washer	4	1291331	
28	Copiglia	Goupille	Split pin	2	1291341	
90	Trascinatore ø352	Plateau ø352	Pad holder ø352	1	1291901	ø352
91	Spazzola	Brosse	Brush	1	1291891	ø385 PPL0,5
91	Spazzola	Brosse	Brush	1	1291881	ø385 PPL0,7
91	Spazzola	Brosse	Brush	1	1291871	ø385 PPL0,9

TAV. N° 5005

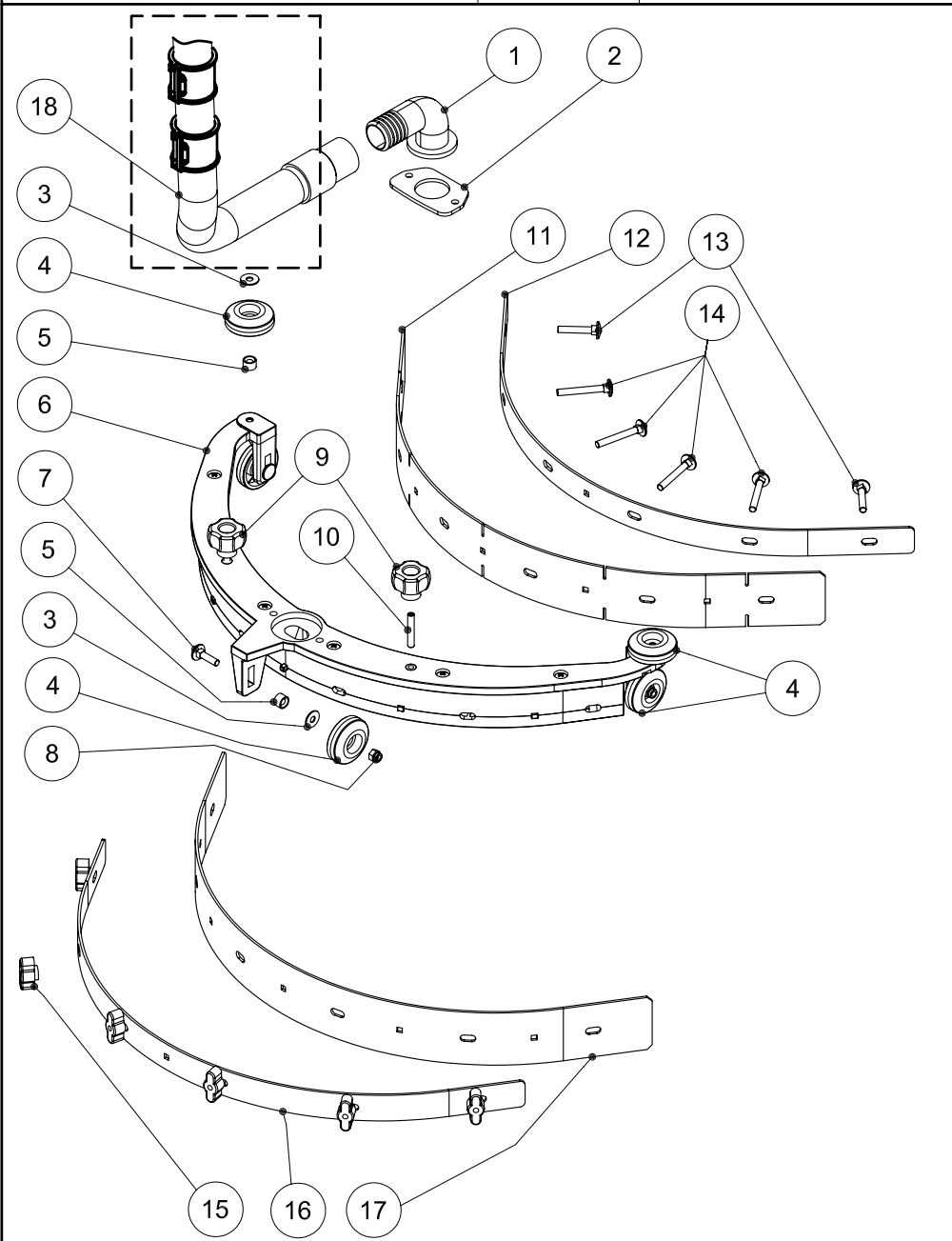
TAV. N° 5005

SQUEEGEE ASSEMBLY

22.0134.00

SQUEEGEE ASSEMBLY

22.0134.00



POS.	DESCRIZIONE	DESCRIPTION	DESCRIPTION	Q.tà	COD.	NOTE
1	Raccordo	Raccord	Connection	1	1291351	
2	Fermo	Arrêt	Retainer	1	1291361	
3	Rondella	Rondelle	Washer	5	1291371	
4	Rotella	Roue	Wheel	5	1291381	•
5	Distanziale	Entretoise	Spacer	5	1291391	
6	Tergitore	Secueur	Squeegee	1	1291401	
7	Vite	Vis	Screw	3	1291411	
8	Dado	Ecrou	Nut	3	1291421	
9	Volantino	Poignée	Knob	2	1291431	
10	Vite	Vis	Screw	2	1291441	
12	Piattina anteriore	Arret avant	Front retainer	1	1291451	
13	Vite	Vis	Screw	2	1291461	
14	Vite	Vis	Screw	4	1291471	
15	Galletto	Poignée	Knob	6	1291481	
16	Piattina posteriore	Arret arriere	Rear retainer	1	1291491	
18	Tubo aspirazione	Tuyau d'aspiration	Vacuum hose	1	1291501	•GH95.0065.00
11	Flap anteriore	Flap avant	Front flap	1	1291511	PUR
17	Flap posteriore	Flap arriere	Rear flap	1	1291521	PUR
11	Flap anteriore	Flap avant	Front flap	1	1291851	PARA
17	Flap posteriore	Flap arriere	Rear flap	1	1291861	PARA

