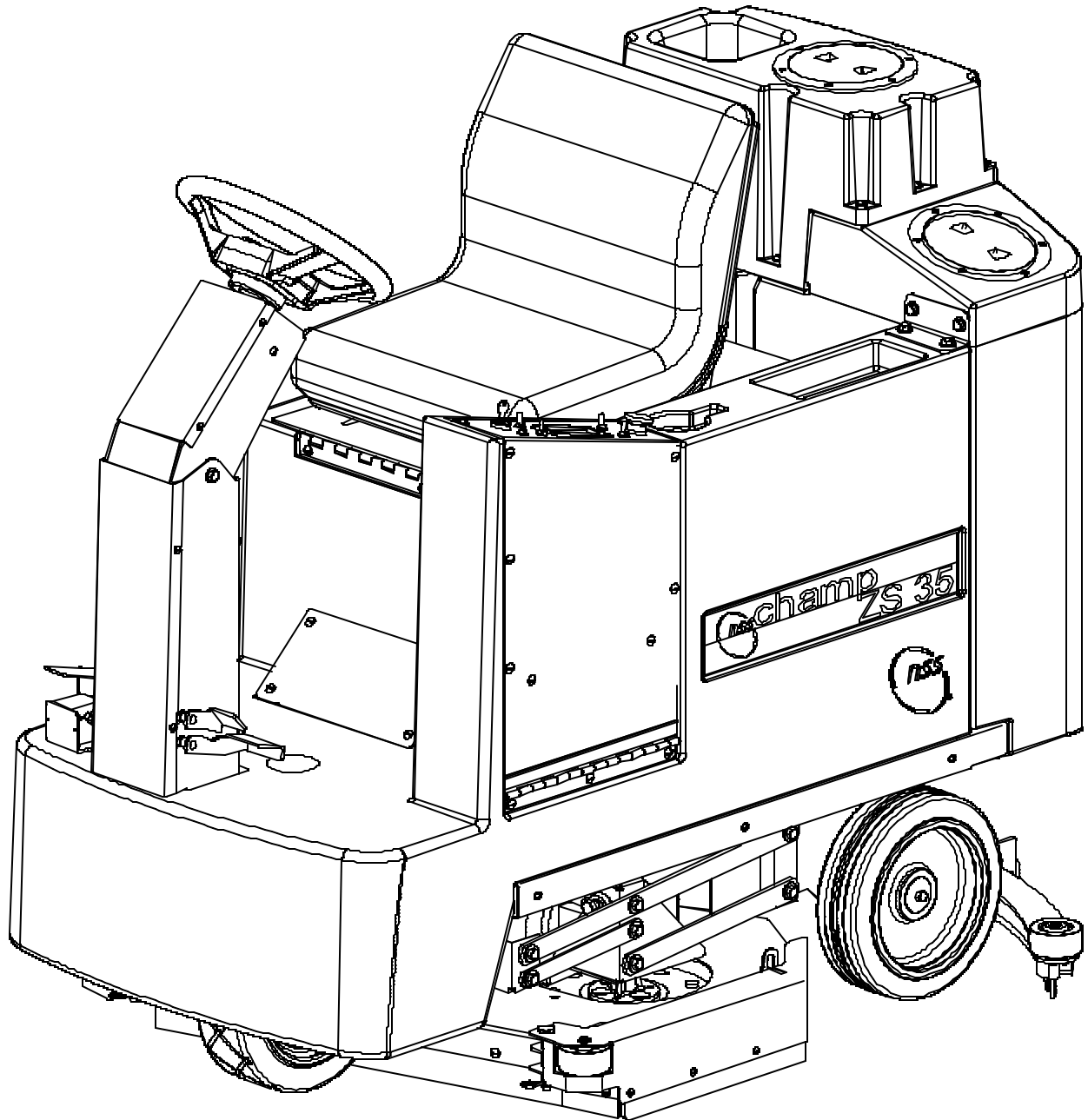
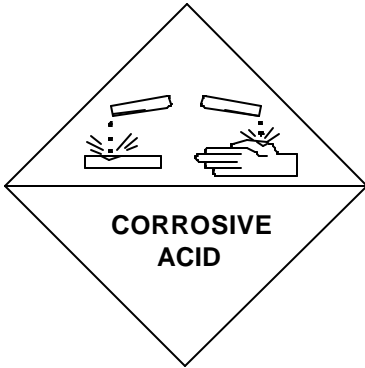


PARTS LIST
CHAMP ZS 35

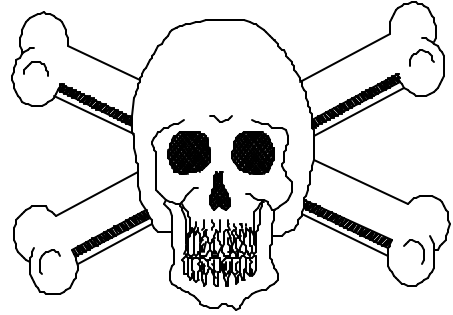


BATTERY INSTALLATION INSTRUCTIONS



WET STORAGE BATTERY

- * CONTAINS ACID, AVOID CONTACT.
- * ANTIDOTE:
 - * EYES - FLUSH WITH WATER
15 MINUTES.
 - * INTERNAL - DRINK WATER OR MILK.
FOLLOW WITH MILK OF
MAGNESIA, BEATEN EGG
OR VEGETABLE OIL.
- *CALL PHYSICIAN.



POISON / DANGER
CAUSES SEVERE BURNS

WARNING

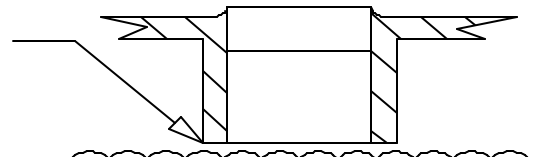
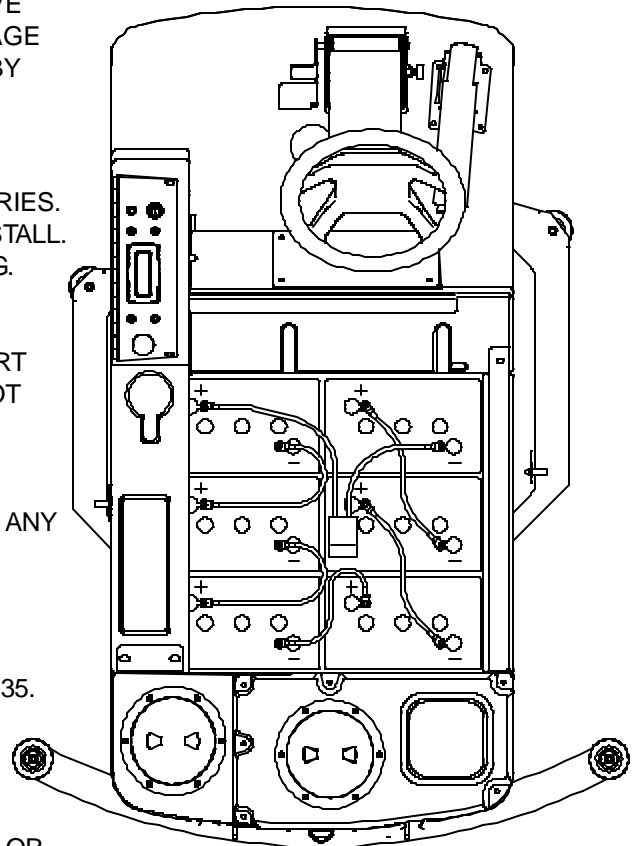
READ THE SERVICE MANUAL BEFORE INSTALLING BATTERIES OR USING CHARGER. FAILURE TO OBSERVE THE FOLLOWING INSTRUCTIONS MAY RESULT IN DAMAGE TO THE MACHINE, OR INJURY TO THE OPERATOR OR BY STANDERS.

BATTERY INSTALLATION INSTRUCTIONS

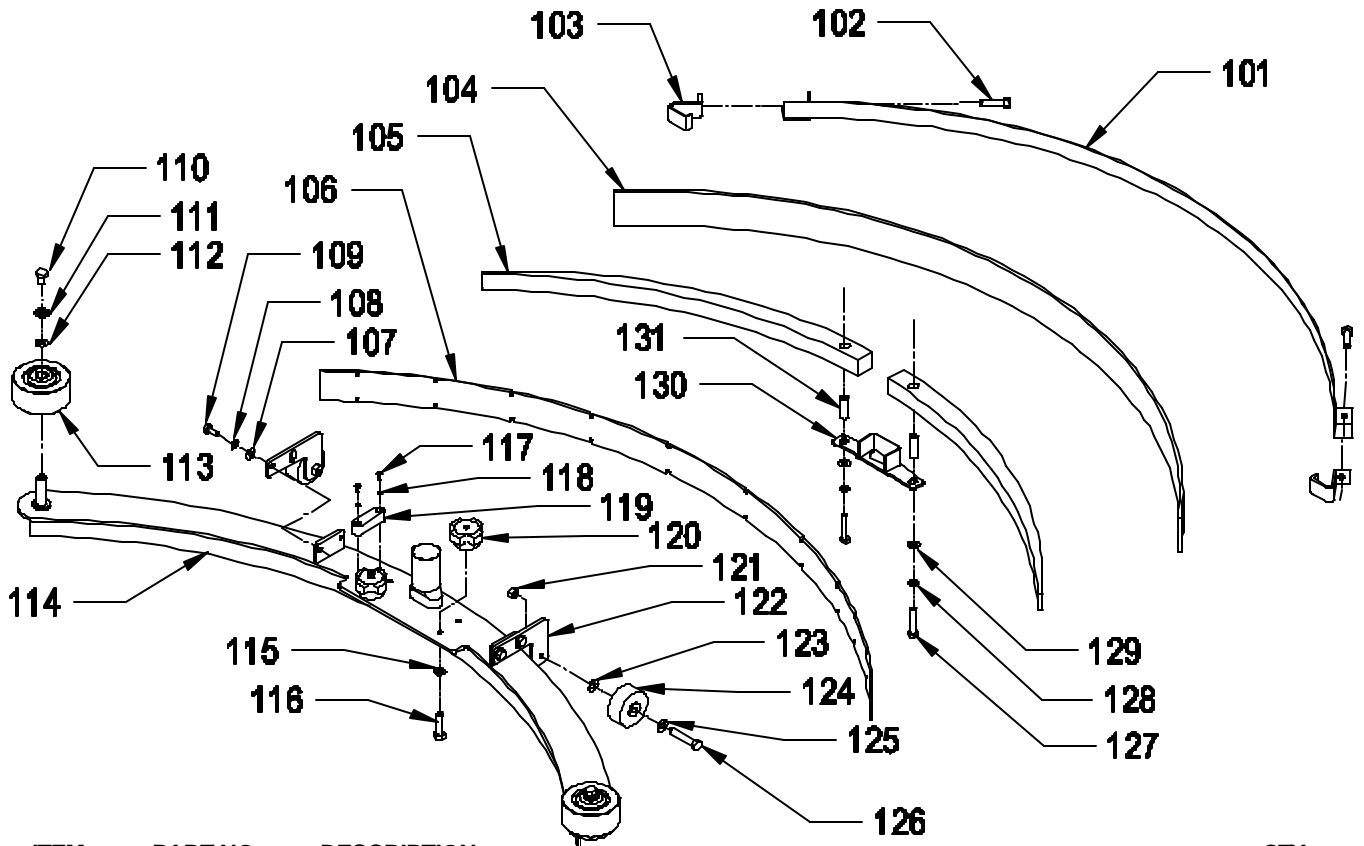
- ONLY TRAINED PERSONNEL SHOULD INSTALL BATTERIES.
- BATTERIES ARE HEAVY, USE TWO (2) PEOPLE TO INSTALL.
- WEAR EYE PROTECTION AND PROTECTIVE CLOTHING.
- TURN OFF ALL MACHINE SWITCHES.
- CONNECT THE BATTERIES AS SHOWN TO THE RIGHT (THERE IS ALSO A DECAL IN THE BATTERY COMPARTMENT WITH THIS PICTURE). THIS MACHINE WILL NOT TURN ON IF THE BATTERIES ARE CONNECTED IMPROPERLY.
- DO NOT LAY ANYTHING ON TOP OF THE BATTERIES.
- DISCONNECT THE BATTERIES BEFORE PERFORMING ANY SERVICE OR REPAIRS.

CHARGING INSTRUCTIONS

- READ INSTRUCTIONS ON THE CHARGER.
- ONLY USE A 36 VOLT CHARGER FOR THE CHAMP ZS 35.
- BEFORE CHARGING CHECK TO INSURE THAT THE BATTERY WATER LEVEL COVERS THE BATTERY PLATES.
- CHARGE IN WELL VENTILATED AREA.
- EXPLOSIVE GAS - DO NOT SMOKE - STRIKE A MATCH OR CAUSE A SPARK DURING CHARGING.
- AFTER CHARGING - IF NEEDED - FILL THE BATTERY UP TO THE BOTTOM OF THE FILL HOLE WITH DISTILLED WATER.
DO NOT OVER FILL. BATTERY AND MACHINE DAMAGE MAY RESULT. WIPE ANY ACID FROM THE TOP OF BATTERIES CLEAN USING A SOAP SOLUTION.



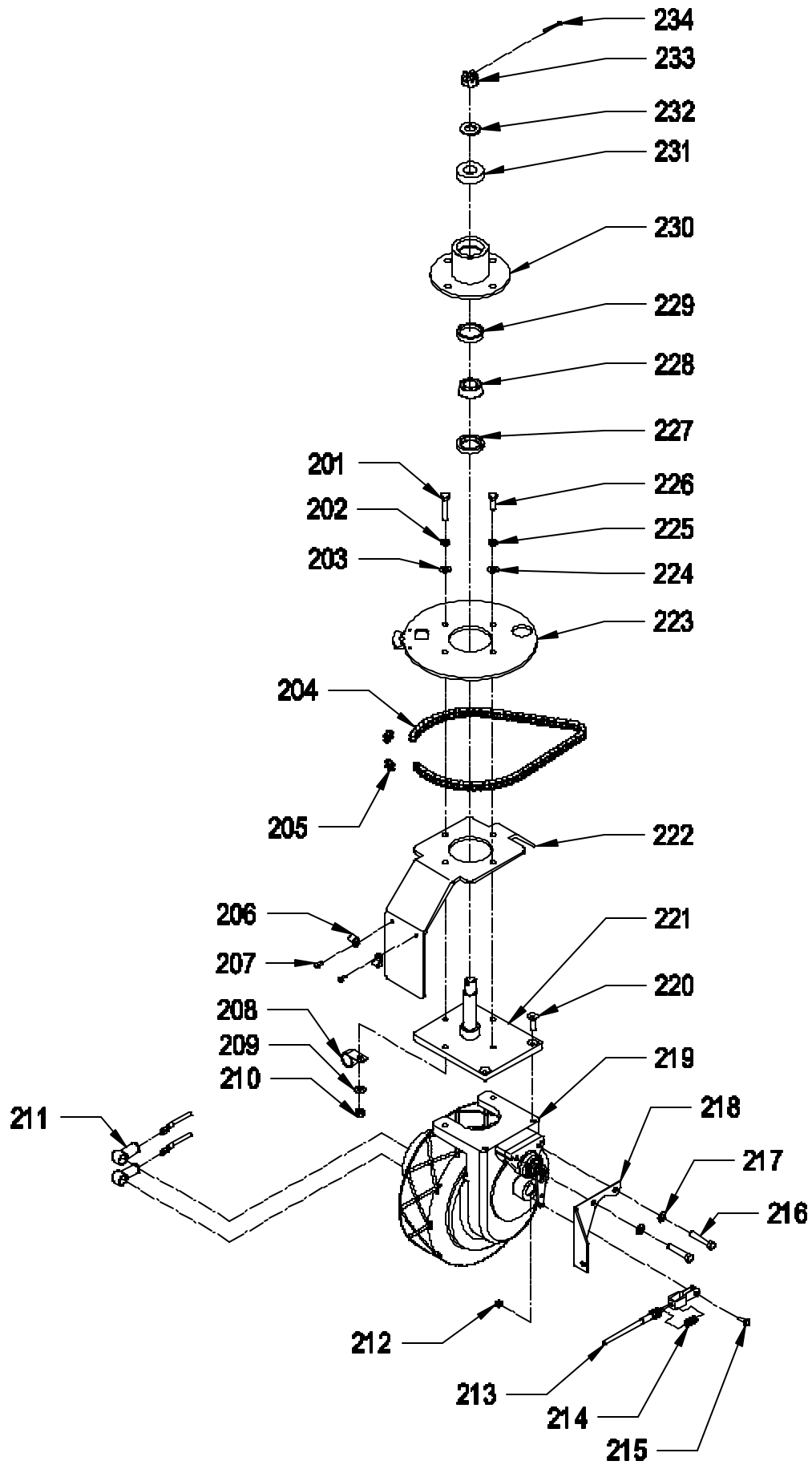
CURVED SQUEEGEE ASSEMBLY



ITEM	PART NO.	DESCRIPTION	QTY.
	7693809	CURVED SQUEEGEE ASSEMBLY	1
101	2693841	REAR SECURING STRAP	1
102	9121720	5/16-18 X 1 1/4 HEX HEAD FULL THREADED BOLT	2
103	2492561	HOOKED END	2
104	7693791	REAR SQUEEGEE BLADE - LINATEX	1
	2693831	REAR SQUEEGEE BLADE - GUM RUBBER	1
105	2693811	CENTER WEDGE	2
106	2693821	FRONT BLADE	1
107	9121560	5/16-18 X 1/2 HEX BOLT	2
108	9121410	5/16 EXTERNAL STAR LOCK WASHER	2
109	9121390	11/32 I.D. X 11/16 O.D. X .051/.080 THICK SAE FLAT WASHER (5/16)	2
110	9121210	1/4-20 X 5/8 HEX BOLT	4
111	9120880	1/4 SPLIT LOCK WASHER	4
112	9120930	9/32 I.D. X 5/8 O.D. X .051/.080 THICK SAE FLAT WASHER (1/4)	4
113	2790281	BUMPER WHEEL	2
114	7693823	MAIN HOUSING	1
115	9121520	5/16 SPLIT LOCK WASHER	2
116	9121720	5/16-18 X 1 1/4 HEX HEAD FULL THREADED BOLT	2
117	9120070	6-32 X 3/8 ROUND HEAD PHILLIPS MACHINE SCREW	2
118	9120030	#6 SPLIT LOCK WASHER	2
119	2492581	SQUEEGEE LEVEL	1
120	2791002	SQUEEGEE KNOB	2
121	9121450	5/16-18 HEX NUT WITH NY-LOCK INSERT	2
122	2492571	DOLLY WHEEL MOUNTING BRACKET	2
123	9121390	11/32 I.D. X 11/16 O.D. X .051/.080 THICK SAE FLAT WASHER (5/16)	2
124	3096741	ROLLER WHEEL	2
125	9121390	11/32 I.D. X 11/16 O.D. X .051/.080 THICK SAE FLAT WASHER (5/16)	2
126	9121760	5/16-18 X 1 3/4 HEX BOLT	2
127	9121280	1/4-20 X 1 1/2 HEX BOLT	2
128	9120880	1/4 SPLIT LOCK WASHER	2
129	9120930	9/32 I.D. X 5/8 O.D. X .051/.080 THICK SAE FLAT WASHER (1/4)	2
130	2492541	CENTER HOLD DOWN	1
131	2492591	CENTER HOLD DOWN SPACER	2

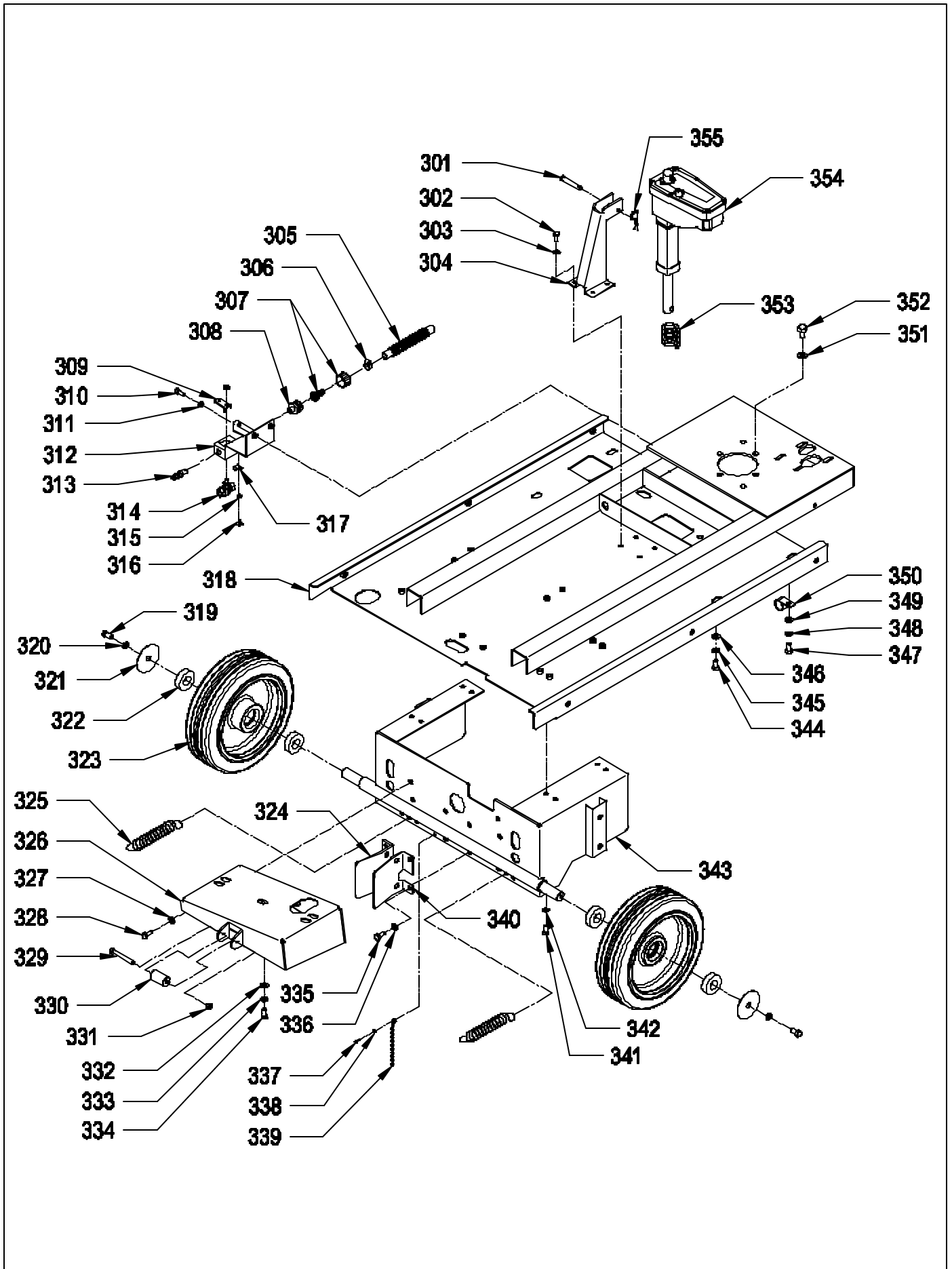
ITEM	PART NO.	DESCRIPTION	QTY.
201	9122343	3/8-16 X 2 HEX HEAD FULL THREADED BOLT	3
202	9122100	3/8 SPLIT LOCK WASHER	3
203	9121400	3/8 I.D. X 7/8 O.D. X .064/.104 THICK WROUGHT WASHER (5/16)	3
204	7691259	CHAIN KIT - CHAIN WITH TWO MASTERS (1 OF ITEM 204 AND 2 OF ITEMS 205)	1
	2790341	ROLLER CHAIN 67 LINKS WITHOUT MASTER	1
205	2795211	LINK - MASTER #40 CHAIN NICKEL	2
206	5294201	NYLON CABLE CLAMP	2
207	9120510	10-24 X 1/2 TRUSS HEAD PHILLIPS MACHINE SCREW	2
208	2395761	CLAMP, TUBE	1
209	9121400	3/8 I.D. X 7/8 O.D. X .064/.104 THICK WROUGHT WASHER (5/16)	1
210	9122140	3/8-16 HEX NUT WITH NY-LOK INSERT	1
211	6492051	STUD TERMINAL BOOT - RUBBER	2
212	9120900	1/4-20 HEX NUT WITH NY-LOK INSERT	1
213	7690971	BRAKE CABLE	1
214	3695581	HEIGHT ADJUSTING SPRING	1
215	9121250	1/4-20 X 3/4 HEX BOLT WITH NYLON PATCH	1
216	9122371	3/8-24 X 2 1/8 HEX BOLT	2
217	9121400	3/8 I.D. X 7/8 O.D. X .064/.104 THICK WROUGHT WASHER (5/16)	2
218	7690981	LOWER BRAKE CABLE BRACKET	1
219	7690071	12 X 4 DRIVE WHEEL	1
	7692061	WHEEL / TIRE	1
	7692131	WHEEL BOLTS	10
	7692121	DRIVE MOTOR	1
	7692051	DRIVE MOTOR CARBON BRUSH KIT	1
	7692081	BRAKE ROTOR	1
	7692071	BRAKE CALAPER	1
220	9122323	3/8-16 X 1 1/4 FLAT HEAD SOCKET CAP SCREW	2
221	7690581	STEERING YOKE	1
222	7690563	FENDER / TOW HOOK / SPACER	1
223	7690571	DRIVEN SPROCKET - STEERING	1
224	9121400	3/8 I.D. X 7/8 O.D. X .064/.104 THICK WROUGHT WASHER (5/16)	1
225	9122100	3/8 SPLIT LOCK WASHER	1
226	9122300	3/8-16 X 1 1/4 HEX BOLT	1
227	7690591	SEAL - STEERING	1
228	7690671	BEARING CONE - STEERING BOTTOM	1
229	7690681	BEARING CUP - STEERING BOTTOM	1
230	7690509	BEARING BLOCK - STEERING ASSEMBLY (INCL. ITEMS 227 - 231)	1
231	2790311	BEARING, BOTTOM END	1
232	9123105	3/4 I.D. X 1 1/4 O.D. X .071/.082 THICK FLAT WASHER (11 GAGE)	1
233	9123100	3/4-16 HEX SLOTTED NUT - STEEL	1
234	9120314	1/8 X 1 1/4 COTTER PIN - STEEL	1

DRIVE WHEEL ASSEMBLY



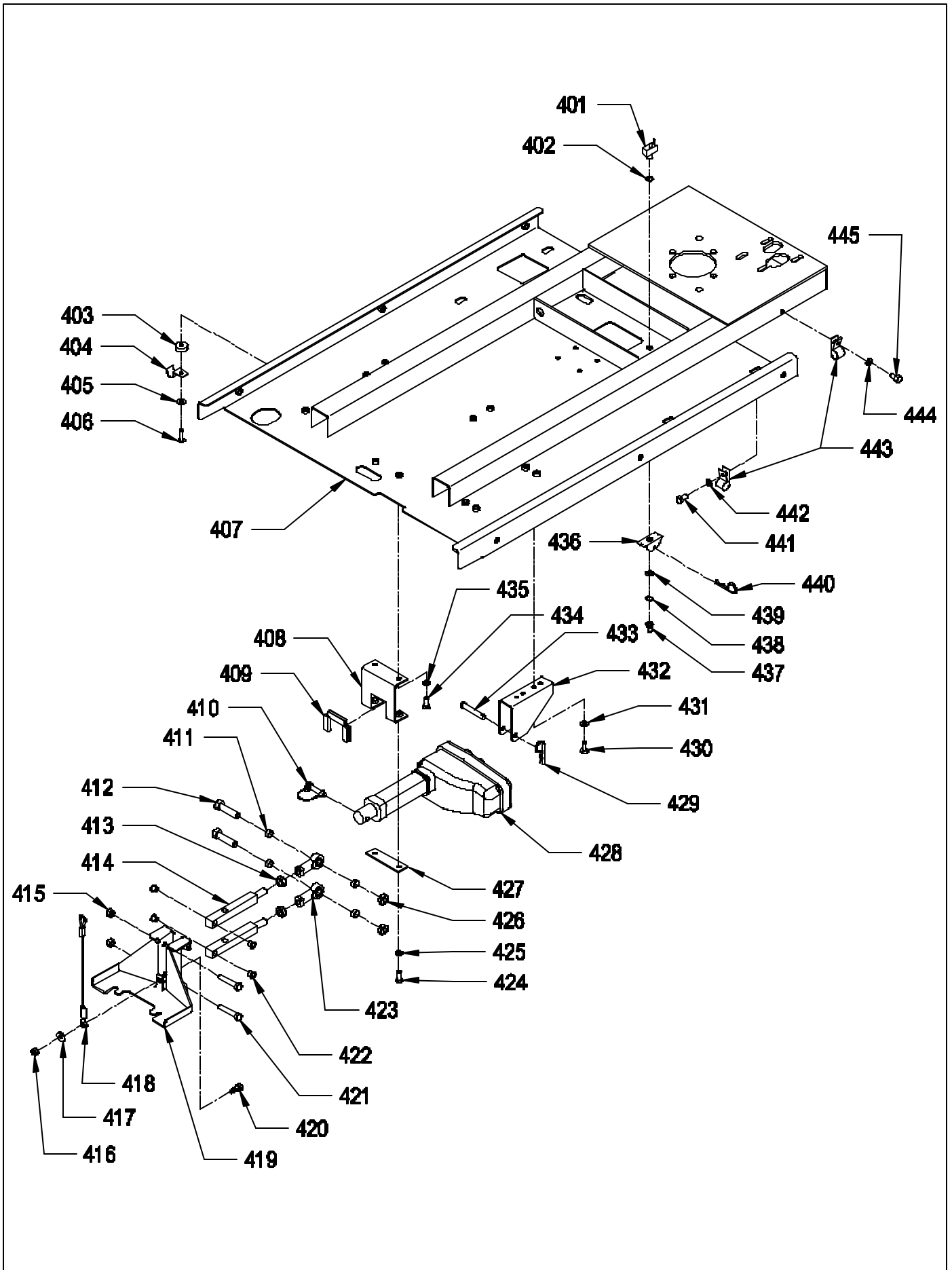
ITEM	PART NO.	DESCRIPTION	QTY.
301	7690311	3/8" DIAMETER X 2.505 LONG CLEVIS PIN	1
302	9121210	1/4-20 X 5/8 HEX BOLT	4
303	9120880	1/4 SPLIT LOCK WASHER	4
304	7690301	BRUSH ACTUATOR BRACKET	1
305	7693781	6 1/2 X 3/4 CONVOLUTED HOSE	1
306	7693811	HOSE CLAMP 9/16" TO 1 1/16"	1
307	7693771	FILTER FITTING 3/4 HOSE BARB AND COLLAR	1
308	2690232	FILTER FITTING, VALVE	1
309	7691041	VALVE LEVER	1
310	9121600	5/16-18 X 5/8 HEX BOLT	2
311	9121520	5/16 SPLIT LOCK WASHER	2
312	7691031	SOLUTION VALVE HANGER	1
313	2495161	1/2 HOSE BARB X 1/4 MPT	1
314	1391531	SOLUTION VALVE	1
315	9120370	7/32 I.D. X 1/2 O.D. X .032/.065 THICK SAE FLAT WASHER (#10)	1
316	9120510	10-24 X 1/2 TRUSS HEAD PHILLIPS MACHINE SCREW	1
317	7691061	CONDUIT CLAMP	1
318	7693931	MAIN FRAME - CHAMP 35	1
319	9122220	3/8-16 X 3/4 HEX BOLT	2
320	9122100	3/8 SPLIT LOCK WASHER	2
321	9122110	3/8 X 1 1/2 FENDER WASHER	2
322	2790311	BEARING, BOTTOM END	4
323	7690089	12 X 3 WHEEL - ASSEMBLY (INCL. 2 OF ITEM 322 AND 1 OF ITEM 323)	2
324	7693731	LEFT HAND SQUEEGEE MOUNT / STOP BRACKET	1
325	7690291	EXTENSION SPRING, SQUEEGEE	2
326	7694013	MOUNTING BRACKET - LOWER RECOVERY TANK	1
327	9122100	3/8 SPLIT LOCK WASHER	4
328	9122220	3/8-16 X 3/4 HEX BOLT	4
329	9122350	3/8-16 X 3 HEX BOLT	1
330	7690811	GUIDE	1
331	9122140	3/8-16 HEX NUT WITH NY-LOK INSERT	1
332	9121400	3/8 I.D. X 7/8 O.D. X .064/.104 THICK WROUGHT WASHER (5/16)	2
333	9122100	3/8 SPLIT LOCK WASHER	2
334	9122220	3/8-16 X 3/4 HEX BOLT	2
335	9122220	3/8-16 X 3/4 HEX BOLT	4
336	9122100	3/8 SPLIT LOCK WASHER	4
337	9120380	10-24 X 3/8 ROUND HEAD PHILLIPS MACHINE SCREW	1
338	9120320	#10 SPLIT LOCK WASHER	1
339	6491867	ROUND BEAD CHAIN	1
	6491871	END COUPLING - ROUND BEAD CHAIN	1
340	7693721	RIGHT HAND SQUEEGEE MOUNT / STOP BRACKET	1
341	9122220	3/8-16 X 3/4 HEX BOLT	8
342	9122100	3/8 SPLIT LOCK WASHER	8
343	7693713	AXLE BRACKET	1
344	9122220	3/8-16 X 3/4 HEX BOLT	3
345	9122100	3/8 SPLIT LOCK WASHER	3
346	9121400	3/8 I.D. X 7/8 O.D. X .064/.104 THICK WROUGHT WASHER (5/16)	3
347	9122260	3/8-16 X 1 HEX BOLT	1
348	9122100	3/8 SPLIT LOCK WASHER	1
349	9121400	3/8 I.D. X 7/8 O.D. X .064/.104 THICK WROUGHT WASHER (5/16)	1
350	2395761	CLAMP, TUBE	1
351	9122420	1/2 SPLIT LOCK WASHER	4
352	9122500	1/2-13 X 7/8 HEX BOLT	4
353	7693641	COMPRESSION SPRING	1
354	7690541	BRUSH / SQUEEGEE ACTUATOR MOTOR	1
	7692091	ACTUATOR SETTING INSTRUCTIONS	1
	7690549	BRUSH / SQUEEGEE ACTUATOR KIT	1
355	7690491	#6 HAIR COTTER PIN	1

CHASSIS ASSEMBLY



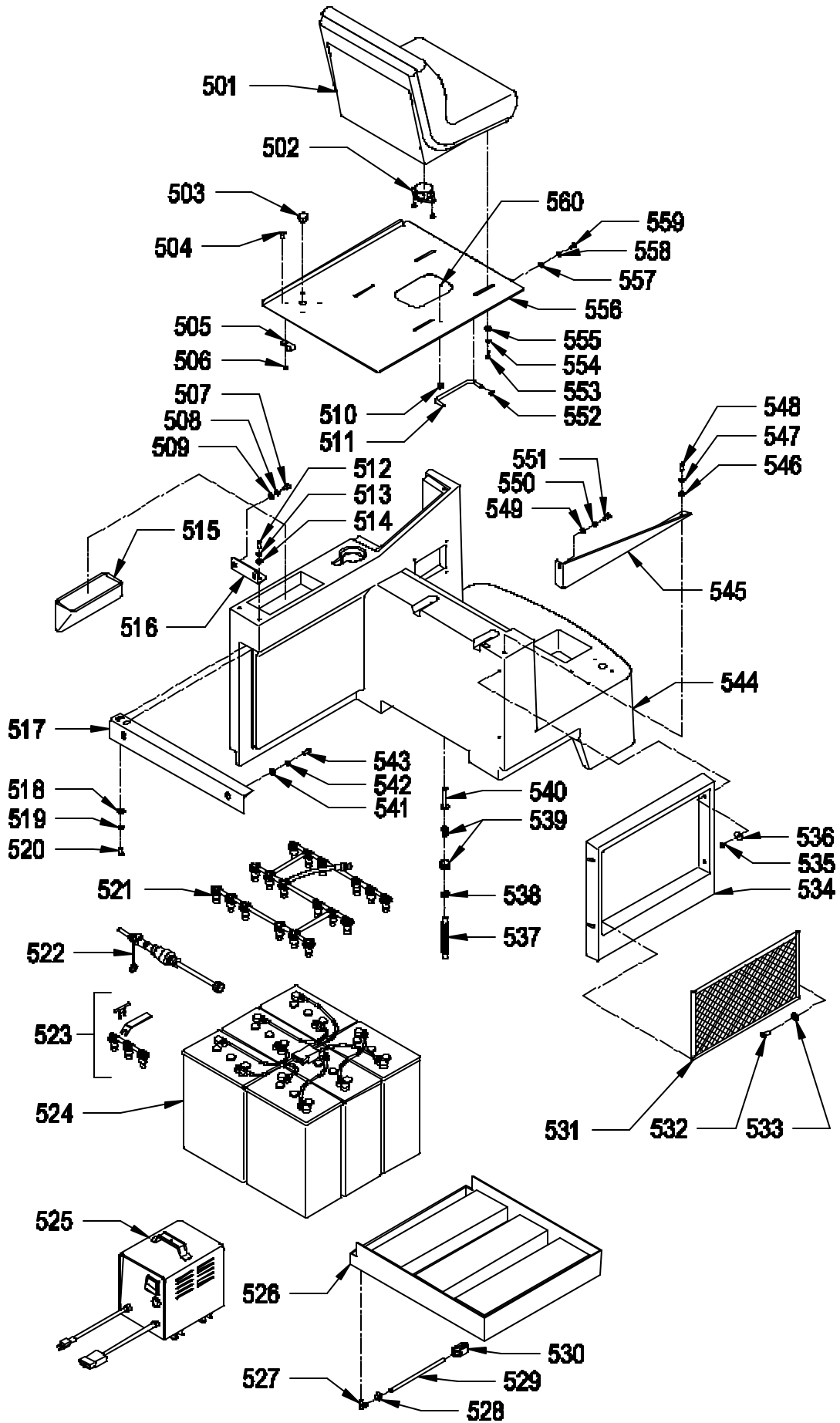
ITEM	PART NO.	DESCRIPTION	QTY.
401	3390411	FORWARD - REVERSE SWITCH	1
402	0798821	5/8" HEX NUT (LARGE NUT)	1
403	7691361	ACTUATOR SPRING GUIDE	1
404	2690971	HOSE CLIP	1
405	9120930	9/32 I.D. X 5/8 O.D. X .051/.080 THICK SAE FLAT WASHER (1/4)	1
406	9121270	1/4-20 X 1 HEX BOLT	1
407	7693931	MAIN FRAME - CHAMP 35	1
408	7690191	ACTUATOR MOUNT - REAR	1
409	9997600	VINYL TRIM	4"
410	9121950	3/8 X 1 5/8 CLEVIS PIN WITH RETAINER	1
411	2391461	BUSHING - LIFT LEVER	4
412	9122580	1/2-13 X 2 HEX BOLT	2
413	9122670	1/2-20 HEX JAM NUT	2
414	1390156	SQUEEGEE SHAFT	2
415	9122140	3/8-16 HEX NUT WITH NY-LOK INSERT	2
416	9121450	5/16-18 HEX NUT WITH NY-LOK INSERT	1
417	9121400	3/8 I.D. X 7/8 O.D. X .064/.104 THICK WROUGHT WASHER (5/16)	1
418	7691071	SQUEEGEE LIFT CABLE	1
419	7693831	SQUEEGEE BRACKET	1
420	9122020	3/8 DIA. X 3/8 LONG SOCKET HEAD SHOULDER BOLT	1
421	9122340	3/8-16 X 2 HEX BOLT	2
422	1391171	3/8 FLANGE NYLINER	4
423	2391941	BALL JOINT	2
424	9121640	5/16-18 X 3/4 HEX BOLT	2
425	9121520	5/16 SPLIT LOCK WASHER	2
426	9122495	1/2-13 HEX NUT WITH NY-LOK INSERT - THIN	2
427	7690201	ACTUATOR MOUNT CLAMP	1
428	7690541	BRUSH / SQUEEGEE ACTUATOR MOTOR	1
	7692091	ACTUATOR SETTING INSTRUCTIONS	1
	7690549	BRUSH / SQUEEGEE ACTUATOR KIT	1
429	7690491	#6 HAIR COTTER PIN	1
430	9121640	5/16-18 X 3/4 HEX BOLT	2
431	9121520	5/16 SPLIT LOCK WASHER	2
432	7694061	FRONT MOUNT - SQUEEGEE ACTUATOR	1
433	7690311	3/8" DIAMETER X 2.505" LONG CLEVIS PIN	1
434	9121640	5/16-18 X 3/4 HEX BOLT	2
435	9121520	5/16 SPLIT LOCK WASHER	2
436	7691791	SWITCH GUARD	1
437	0693141	RUBBER SWITCH BOOT	1
438	0798821	5/8" HEX NUT (LARGE NUT)	1
439	0691851	1/2" SWITCH LOCK WASHER	1
440	7690491	#6 HAIR COTTER PIN	1
441	9121210	1/4-20 X 5/8 HEX BOLT	2
442	9120880	1/4 SPLIT LOCK WASHER	2
443	4890851	CABLE CLAMP	3
444	9120880	1/4 SPLIT LOCK WASHER	1
445	9121210	1/4-20 X 5/8 HEX BOLT	1

SQUEEGEE ACTUATOR ASSEMBLY



ITEM	PART NO.	DESCRIPTION	QTY.
501	7690601	SEAT	1
502	7691801	SEAT SWITCH	1
503	0690761	BUTTON, PLUG	1
504	9121000	1/4-20 X 5/8 TRUSS HEAD PHILLIPS MACHINE SCREW	4
505	4890851	CABLE CLAMP	1
506	9120900	1/4-20 HEX NUT WITH NY-LOCK INSERT	4
507	9122220	3/8-16 X 3/4 HEX BOLT	2
508	9122100	3/8 SPLIT LOCK WASHER	2
509	9121400	3/8 I.D. X 7/8 O.D. X .064/.104 THICK WROUGHT WASHER (5/16)	2
510	7691081	3/8 STOWAGE CLIP	1
511	7691191	PROP ROD - BATTERY COVER / SEAT PLATE	1
512	9122220	3/8-16 X 3/4 HEX BOLT	2
513	9122100	3/8 SPLIT LOCK WASHER	2
514	9121400	3/8 I.D. X 7/8 O.D. X .064/.104 THICK WROUGHT WASHER (5/16)	2
515	7691249	FILTER SCREEN ASSEMBLY	1
516	7691023	SOLUTION TANK MOUNTING BRACKET - LEFT	1
517	7690163	UPPER MOUNTING BRACKET - RECOVERY TANK	1
518	9121400	3/8 I.D. X 7/8 O.D. X .064/.104 THICK WROUGHT WASHER (5/16)	2
519	9122100	3/8 SPLIT LOCK WASHER	2
520	9122220	3/8-16 X 3/4 HEX BOLT	2
521	7692141	AUTO FILL SYSTEM	1
522	7692151	REGULATED FILL SYSTEM	1
523	7692161	AUTO FULL REPLACEMENT PARTS KIT	1
524	7691401	BATTERY - 395 AMP HOUR - 6 VOLT DC - WET	6
	7691421	BATTERY - 395 AMP HOUR - 6 VOLT DC - DRY	6
525	7691411	BATTERY CHARGER - 36 AMP - 36 VOLT DC - 120 VOLT	1
	7691431	BATTERY CHARGER - 36 AMP - 36 VOLT DC - 240 VOLT	1
526	7690051	BATTERY BOX	1
527	2490601	FITTING, ELL 3/8 BARB X 1/4 MNPT	1
528	5092371	CORD CLAMP, #1002-545 EVERLOCK	1
529	8791070	VINYL HOSE, 3/8" I.D. X 1/2" O.D.	18"
530	3390661	TUBING CONTROL VALVE	1
531	7691391	CARGO NET	1
532	9120790	10 X 5/8 PAN HEAD PHILLIPS SHEET METAL SCREW	4
533	9130370	7/32 I.D. X 1/2 O.D. X .032/.065 THICK FLAT WASHER (#10)	4
534	7690061	SIDE COVER	1
535	9121000	1/4-20 X 5/8 TRUSS HEAD PHILLIPS MACHINE SCREW	4
536	9120950	1/4 X 1 1/4 FENDER WASHER	4
537	7693781	6 1/2 X 3/4 CONVOLUTED HOSE	1
538	7693811	HOSE CLAMP. 9/16" TO 1 1/16"	1
539	7693771	FILTER FITTING 3/4 HOSE BARB AND COLLAR	1
540	2692471	FILTER, LONG LINE	1
541	9121400	3/8 I.D. X 7/8 O.D. X .064/.104 THICK WROUGHT WASHER (5/16)	2
542	9122100	3/8 SPLIT LOCK WASHER	2
543	9122220	3/8-16 X 3/4 HEX BOLT	2
544	7690011	SOLUTION TANK	1
545	7691013	SOLUTION TANK MOUNTING BRACKET - RIGHT	1
546	9121400	3/8 I.D. X 7/8 O.D. X .064/.104 THICK WROUGHT WASHER (5/16)	1
547	9122100	3/8 SPLIT LOCK WASHER	1
548	9122220	3/8-16 X 3/4 HEX BOLT	1
549	9121400	3/8 I.D. X 7/8 O.D. X .064/.104 THICK WROUGHT WASHER (5/16)	1
550	9122100	3/8 SPLIT LOCK WASHER	1
551	9122220	3/8-16 X 3/4 HEX BOLT	1
552	7691091	3/8 EXTERNAL E-RING - PROP ROD	2
553	9121640	5/16-18 X 3/4 HEX BOLT	4
554	9121520	5/16 SPLIT LOCK WASHER	4
555	9120940	5/16 I.D. X 3/4 O.D. X .051/.080 THICK WROUGHT WASHER (1/4)	4
556	7690133	BATTERY COVER / SEAT PLATE	1
557	9120930	9/32 I.D. X 5/8 O.D. X .051/.080 THICK SAE FLAT WASHER (1/4)	3
558	9120970	1/4 EXTERNAL STAR LOCK WASHER	3
559	9121000	1/4-20 X 5/8 TRUSS HEAD PHILLIPS MACHINE SCREW	3
560	9120307	1/8 X 3/16 DOME HEAD POP RIVET - ALUMINUM	1

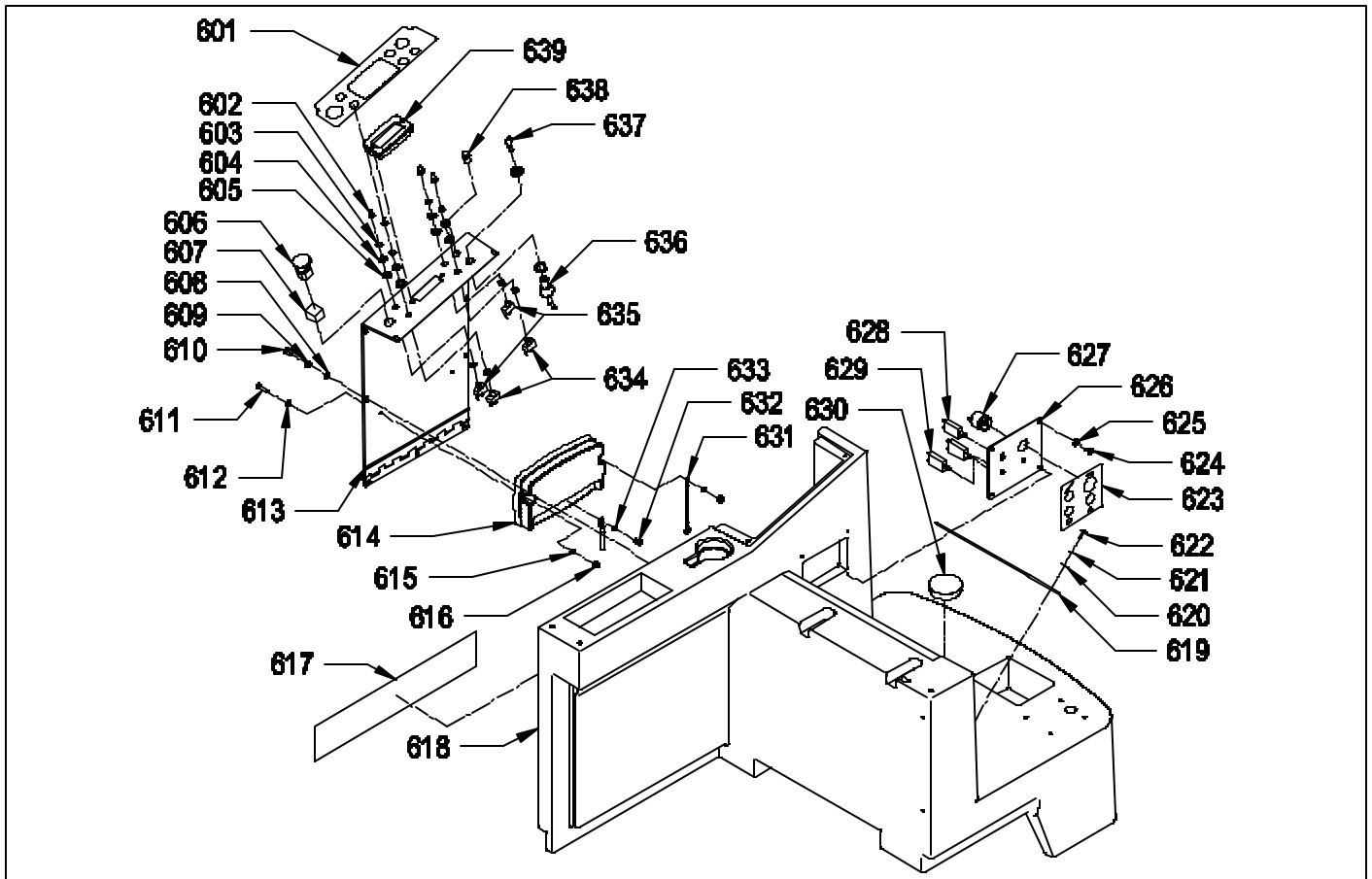
SOLUTION TANK ASSEMBLY



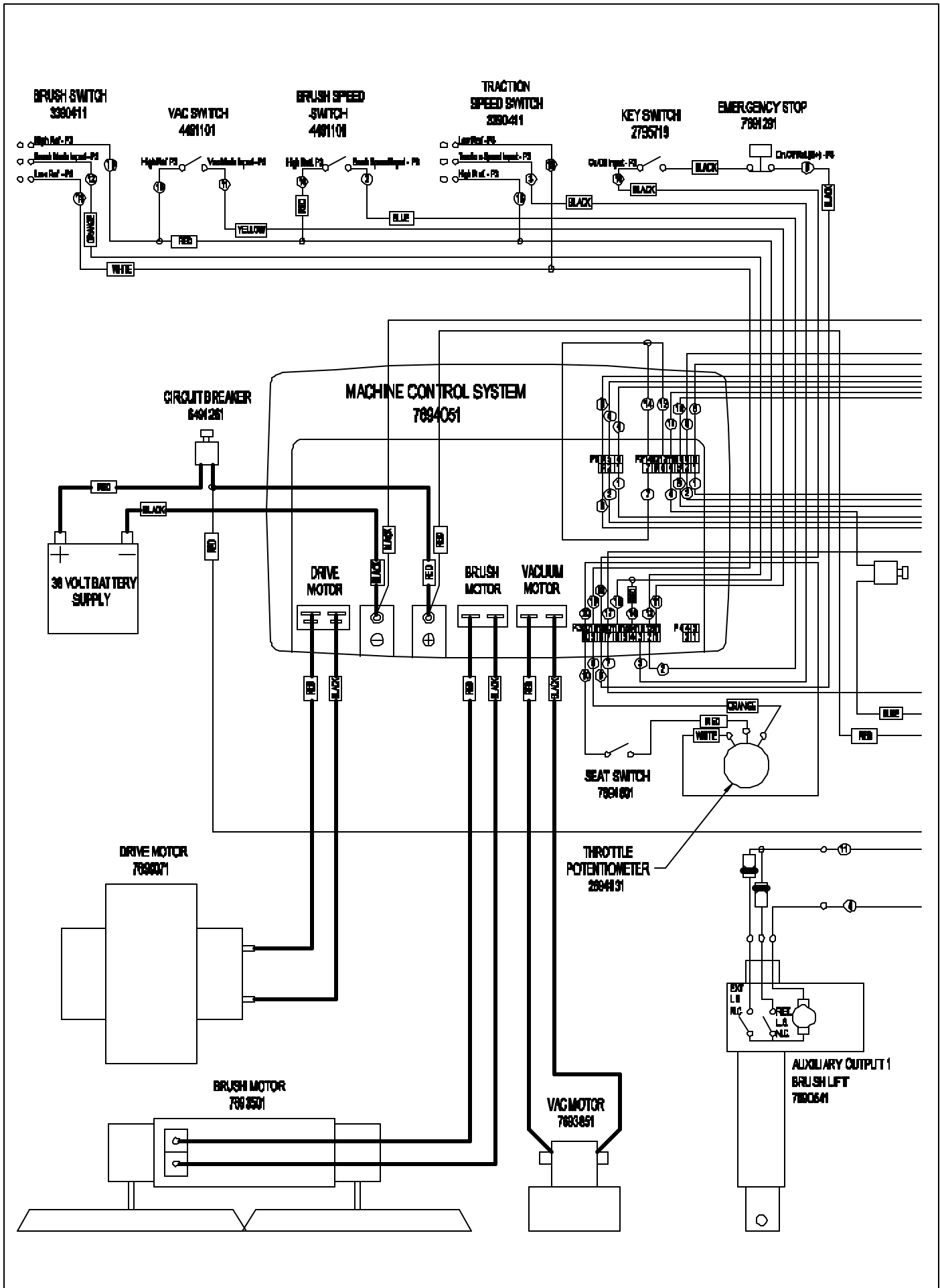
ELECTRICAL COMPONENTS

PART NO.	DESCRIPTION	QTY.
2391981	BATTERY JUMPER 3/8" RING	5
2694131	POTENTIOMETER, CURTIS SPEED CONTROLLER	1
2792571	REPLACEMENT CARBON BRUSH - VAC MOTOR	2
3390411	FORWARD - REVERSE SWITCH	3
4491101	TOGGLE SWITCH, MOTOR	2
4890791	CIRCUIT BREAKER - 2 AMP	2
6491261	CIRCUIT BREAKER - 90 AMP	1
7690071	12 X 4 DRIVE WHEEL	1
7690521	SOLUTION SOLENOID VALVE	1
7690541	BRUSH / SQUEEGEE ACTUATOR MOTOR	2
7691211	LCD MODULE	1
7691221	BACK UP ALARM	1
7691291	EMERGENCY STOP	1
7691301	EMERGENCY STOP BLOCK	1
7691401	BATTERY - 395 AMP HOUR - 6 VOLT DC - WET	6
7691411	BATTERY CHARGER - 36 AMP - 36 VOLT DC -120 VOLT (FOR 395 AMP BATTERY)	1
7691421	BATTERY - 395 AMP HOUR - 6 VOLT DC - DRY	6
7691431	BATTERY CHARGER - 36 AMP - 36 VOLT DC - 240 VOLT (FOR 395 AMP BATTERY)	1
7691621	CIRCUIT BREAKER TO CONTROLLER	1
7691631	PUSH BUTTON SWITCH	2
7691641	EMERGENCY STOP TO KEY SWITCH	1
7691651	CONTROLLER TO LCD	1
7691661	WIRING ASSEMBLY, ANDERSON TO +/- BATTERY	1
7691671	CONTROLLER TO BRUSH	1
7691681	CONTROLLER TO DRIVE MOTOR	1
7691691	WIRING HARNESS: BATTERIES TO CONTROLLER	1
7691701	MAIN WIRING HARNESS	1
7691721	LCD TO SWITCH	1
7691731	GROUND WIRE	2
7691741	BACK-UP ALARM WIRE	1
7691751	WIRE ASSEMBLY - HIGH REFERENCE	1
7691761	WIRE ASSEMBLY - LOW REFERENCE	1
7691781	WIRE ASSEMBLY - OVERRIDE SWITCH TO BRUSH ACTUATOR	1
7691801	SEAT SWITCH	1
7691821	STROBE LIGHT (OPTIONAL)	1
7691831	HEADLIGHT (OPTIONAL)	1
7691871	AUXILIARY HARNESS TO CONTROLLER	1
7692021	HEADLIGHT BULB	1
7692031	STROBE LIGHT BULB	1
7692041	CARBON BRUSH - BRUSH MOTOR	4
7692051	CARBON BRUSH - DRIVE WHEEL	4
7692091	ACTUATOR SETTING INSTRUCTIONS	1
7693501	BRUSH MOTOR	1
7693851	VAC MOTOR - CHAMP 35	1
7694001	BRUSH SPEED INPUT WIRE	1
7694051	MACHINE CONTROL SYSTEM - CHAMP ZS 35	1
9123000	1/8 X 11" WIRE TIE	1
9123005	1/8 X 5 1/2" WIRE TIE	1

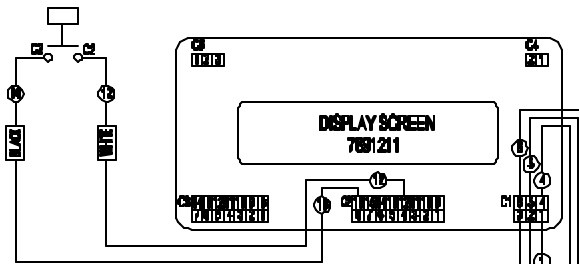
ELECTRICAL PANEL ASSEMBLY



ITEM	PART NO.	DESCRIPTION	QTY.
601	7693751	CHAMP 35 CONTROL PANEL DECAL	1
602	0693141	RUBBER SWITCH BOOT	4
603	0798821	5/8" HEX NUT (LARGE NUT)	8
604	0691851	1/2" SWITCH LOCK WASHER	4
605	9122465	.516 I.D. X .813 O.D. X .027/.030 THICK FLAT WASHER	4
606	7691291	EMERGENCY STOP	1
607	7691301	EMERGENCY STOP BLOCK	1
608	9120930	9/32 I.D. X 5/8 O.D. X .051/.080 THICK SAE FLAT WASHER (1/4)	7
609	9120970	1/4 EXTERNAL STAR LOCK WASHER	7
610	9121000	1/4-20 X 5/8 TRUSS HEAD PHILLIPS MACHINE SCREW	7
611	9120460	10-24 X 1 1/4 ROUND HEAD PHILLIPS MACHINE SCREW	2
612	9120330	#10 EXTERNAL STAR LOCK WASHER	2
613	7690113	ELECTRICAL PANEL	1
614	7694051	MACHINE CONTROL SYSTEM - CHAMP ZS 35	1
615	9120370	7/32 I.D. X 1/2 O.D. X .032/.065 THICK SAE FLAT WASHER (#10)	2
616	9120350	10-24 HEX NUT WITH NY-LOK INSERT	2
617	7693761	SIDE DECAL	1
618	7690011	SOLUTION TANK	1
619	7690123	ACTUATOR COVER PANEL	1
620	9120930	9/32 I.D. X 5/8 O.D. X .051/.080 THICK SAE FLAT WASHER (1/4)	4
621	9120970	1/4 EXTERNAL STAR LOCK WASHER	4
622	9121000	1/4-20 X 5/8 TRUSS HEAD PHILLIPS MACHINE SCREW	4
623	7690321	CHAMP ZS COLOR DECAL KIT	1
624	9121000	1/4-20 X 5/8 TRUSS HEAD PHILLIPS MACHINE SCREW	4
625	9120970	1/4 EXTERNAL STAR LOCK WASHER	4
626	7690103	PANEL - CIRCUIT BREAKER	1
627	7691221	BACK UP ALARM	1
628	6491261	CIRCUIT BREAKER - 90 AMP	1
629	4890791	CIRCUIT BREAKER - 2 AMP	2
630	6490791	PLUG 3"	1
631	7691731	GROUND WIRE	1
632	9120835	M6 X 12.7 HEX HEAD BOLT	2
633	9120970	1/4 EXTERNAL STAR LOCK WASHER	2
634	3390411	FORWARD - REVERSE SWITCH	2
635	4491101	TOGGLE SWITCH, MOTOR	2
636	2795711	KEY SWITCH WITH KEY	1
637	2796131	REPLACEMENT KEY FOR 2795711	1
638	7691631	PUSH BUTTON SWITCH	1
639	7691211	LCD MODULE	1

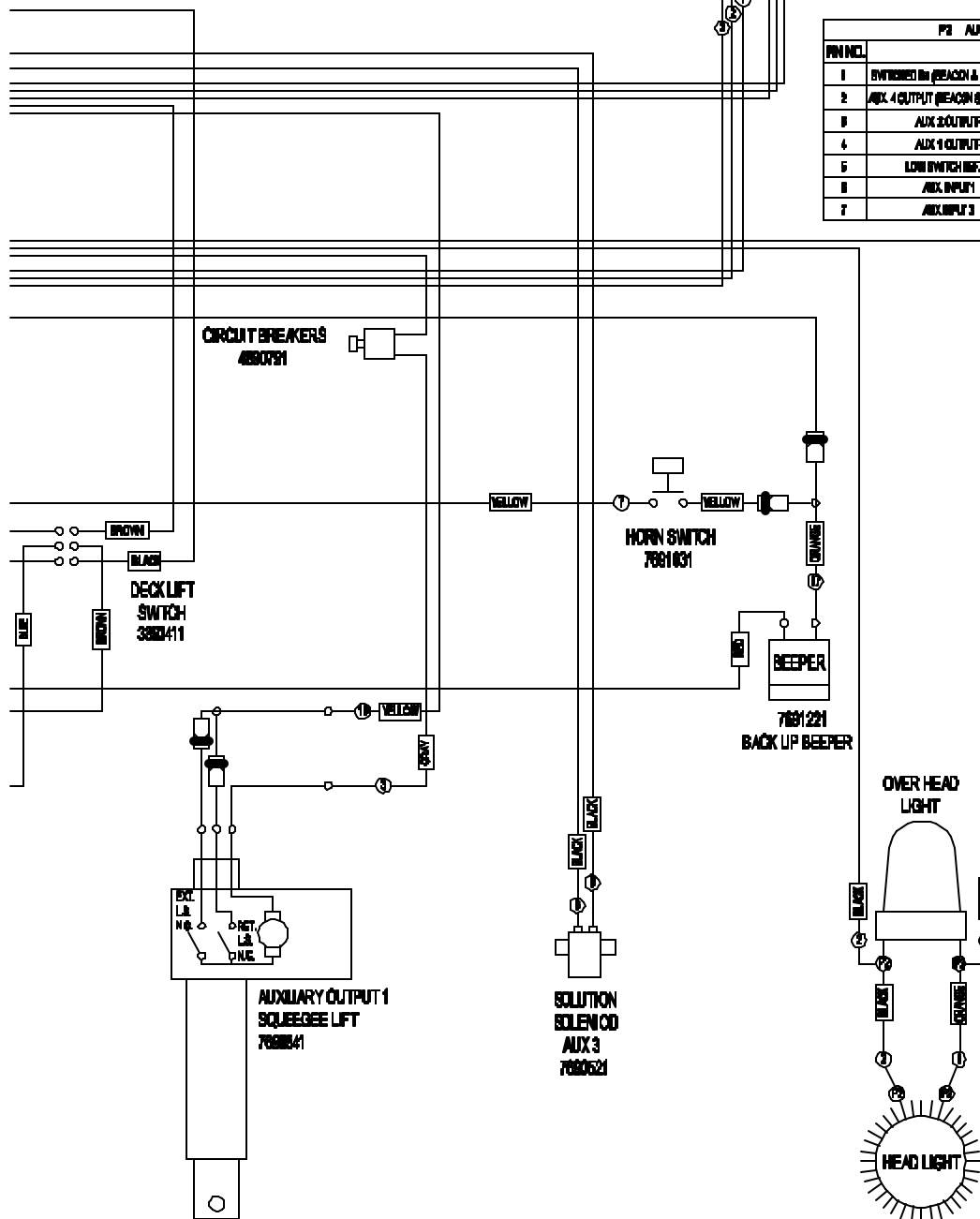


**DISPLAY TOGGLE SWITCH
7891 631**



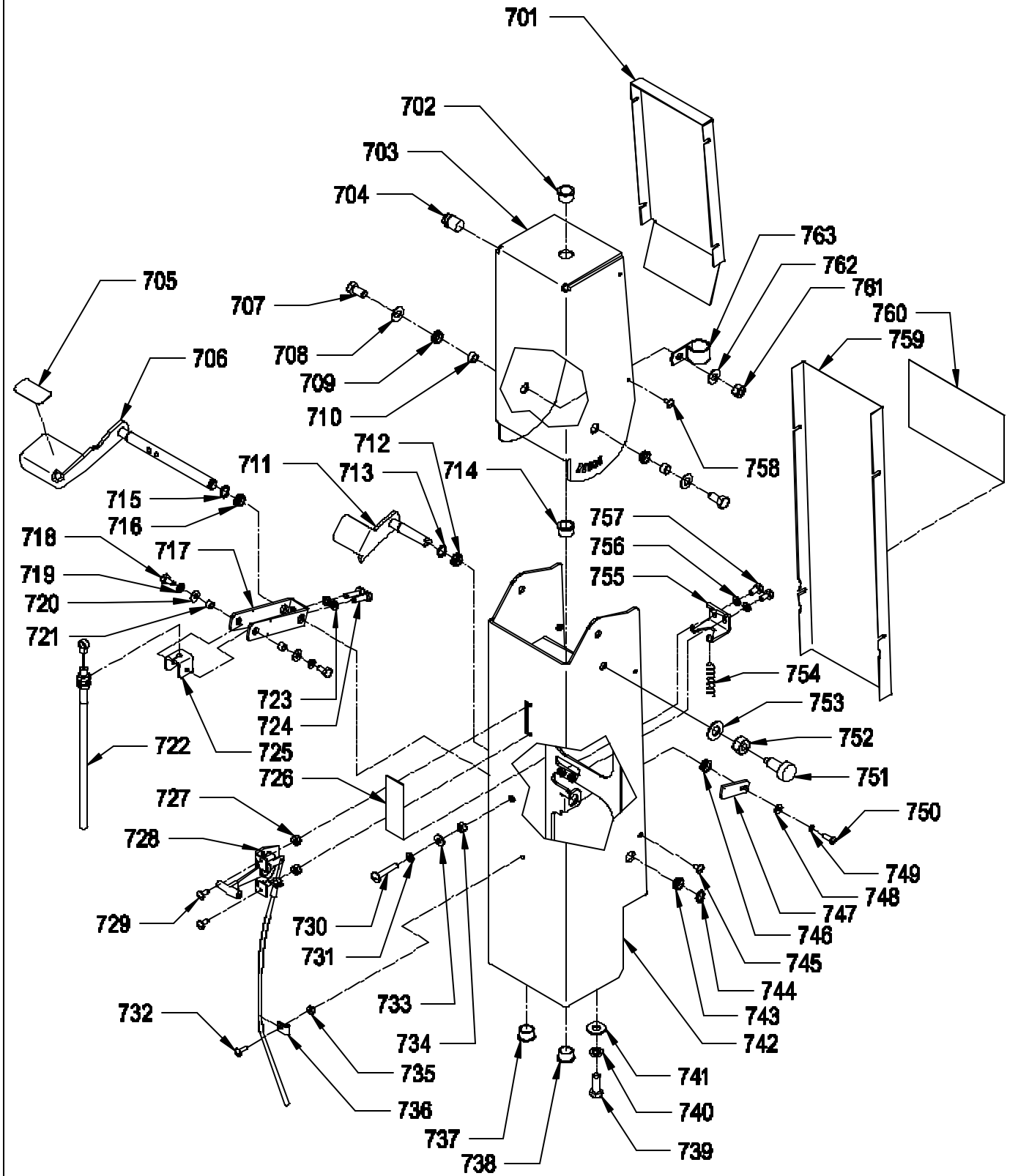
P3 INPUT/OUTPUT CONTROL CONNECTIONS			
PIN NO.		PIN NO.	
1		11	WIPER MOTOR INPUT
2	SPIN/ SPEED INPUT	12	WIPER WIPER INPUT
3	TRACON SPEED INPUT	13	
4		14	INHIBIT INPUT
5		15	
6		16	HIGH SWITCH REF. 5V
7	HORN OUTPUT	17	ALARM OUTPUT
8	ON/OFF REF. 5V	18	ON/OFF INPUT
9	WIPER LOW REF.	19	LOW SWITCH REF. 5V
10	WIPER WIPER	20	THROTTLE REF.

P2 AUXILIARY INPUT/OUTPUT CONNECTOR			
PIN NO.		PIN NO.	
1	SWITCHED IN (REAR LIGHTS)	8	SWITCHED IN (SOLUTION VALVE)
2	AUX. 4 OUTPUT (REAR LIGHTS)	9	AUX. 4 OUTPUT (SOLUTION VALVE)
3	AUX. 3 OUTPUT-	10	AUX. 3 OUTPUT +
4	AUX. 2 OUTPUT-	11	AUX. 2 OUTPUT +
5	LOW SWITCH REF. 5V	12	HIGH SWITCH REF. 5V
6	AUX. INPUT 1	13	AUX. INPUT 2
7	AUX. INPUT 3	14	AUX. INPUT 4



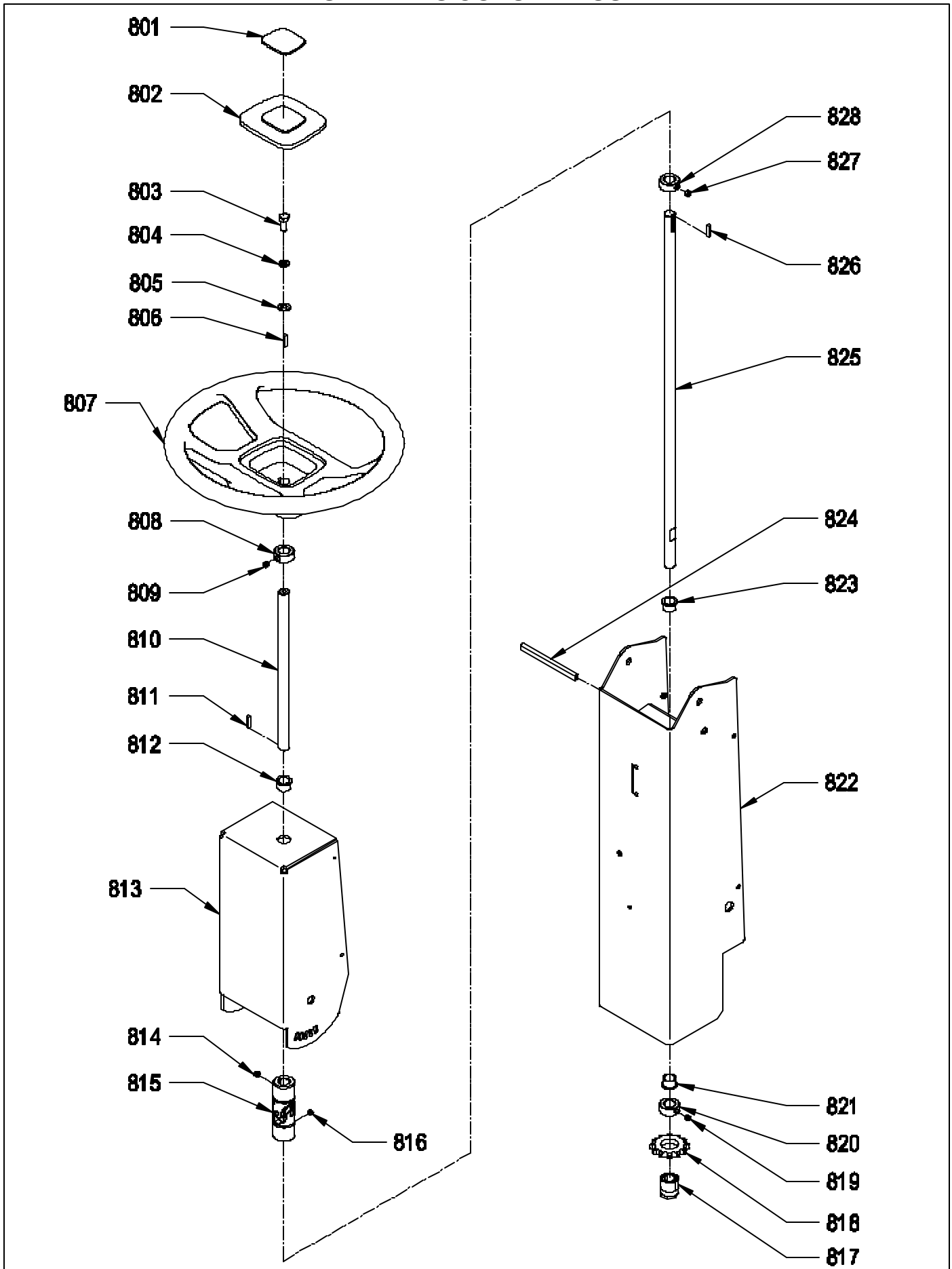
ITEM	PART NO.	DESCRIPTION	QTY.
701	7690743	TILT COLUMN COVER	1
702	2790761	BEARING, FLANGE FF-71	1
703	7690733	UPPER COLUMN	1
704	7691631	PUSH BUTTON SWITCH	1
705	1390571	STEP TREAD	1
706	7691101	BRAKE PEDAL	1
707	9122300	3/8-16 X 1 1/4 HEX BOLT	2
708	9121400	3/8 I.D. X 7/8 O.D. X .064/.104 THICK WROUGHT WASHER (5/16)	2
709	7690691	NYLINER - STEERING TILT	2
710	2691181	PIVOT SPACER, STABILIZER BAR	2
711	7691131	PARKING BRAKE PEDAL	1
712	7690691	NYLINER - STEERING TILT	1
713	5091701	RETAINING RING	1
714	2790761	BEARING, FLANGE FF-71	1
715	5091701	RETAINING RING	1
716	7690691	NYLINER - STEERING TILT	1
717	7691111	BRAKE CABLE ARM	1
718	9121170	1/4-20 X 1/2 HEX BOLT	2
719	9120880	1/4 SPLIT LOCK WASHER	2
720	9120930	9/32 I.D. X 5/8 O.D. X .051/.080 THICK SAE FLAT WASHER (1/4)	2
721	2791281	BUSHING SPACER	2
722	7690971	BRAKE CABLE	1
723	9120880	1/4 SPLIT LOCK WASHER	2
724	9121270	1/4-20 X 1 HEX BOLT	2
725	7691121	BRAKE CABLE PIVOT BRACKET	1
726	7690321	CHAMP ZS 29 COLOR LABEL KIT	1
727	9120360	10-24 HEX NUT WITH STAR LOCK WASHER	2
728	7691051	SOLUTION LEVER AND CABLE ASSEMBLY	1
729	9120420	10-24 X 5/8 ROUND HEAD PHILLIPS MACHINE SCREW	2
730	9121130	1/4-20 X 1 1/2 TRUSS HEAD PHILLIPS MACHINE SCREW	1
731	9120880	1/4 SPLIT LOCK WASHER	1
732	9120420	10-24 X 5/8 ROUND HEAD PHILLIPS MACHINE SCREW	1
733	9120930	9/32 I.D. X 5/8 O.D. X .051/.080 THICK SAE FLAT WASHER (1/4)	1
734	9120900	1/4-20 HEX NUT WITH NY-LOCK INSERT	1
735	9120360	10-24 HEX NUT WITH STAR LOCK WASHER	1
736	5294201	NYLON CABLE CLAMP	1
737	4890451	BUSHING, SNAP IN, #SB87511 HEYCO	1
738	2790761	BEARING, FLANGE FF-71	1
739	9122260	3/8-16 X 1 HEX BOLT	4
740	9122100	3/8 SPLIT LOCK WASHER	4
741	9121400	3/8 I.D. X 7/8 O.D. X .064/.104 THICK WROUGHT WASHER (5/16)	4
742	7690713	STEERING COLUMN - BASE	1
743	7690691	NYLINER - STEERING TILT	1
744	5091701	RETAINING RING	1
745	9120500	10-24 X 3/8 TRUSS HEAD PHILLIPS MACHINE SCREW	4
746	7690691	NYLINER - STEERING TILT	1
747	7691141	PARKING BRAKE SPRING ARM	1
748	9120370	7/32 I.D. X 1/2 O.D. X .032/.065 THICK SAE FLAT WASHER (#10)	1
749	9120320	#10 SPLIT LOCK WASHER	1
750	9120420	10-24 X 5/8 ROUND HEAD PHILLIPS MACHINE SCREW	1
751	7690701	RETRACTABLE PLUNGER - TILT STEERING	1
752	9122680	1/2-13 HEX JAM NUT	1
753	9122450	17/32 I.D. X 1 1/16 O.D. X .074/.121 THICK SAE FLAT WASHER (1/2)	1
754	4490641	EXTENSION SPRING	3
755	7691151	BRAKE RETURN SPRING BRACKET	1
756	9120880	1/4 SPLIT LOCK WASHER	2
757	9121170	1/4-20 X 1/2 HEX BOLT	2
758	9120500	10-24 X 3/8 TRUSS HEAD PHILLIPS MACHINE SCREW	4
759	7690723	COVER - BASE	1
760	7690321	CHAMP ZS 29 COLOR LABEL KIT	1
761	9122140	3/8-16 HEX NUT WITH NY-LOCK INSERT	2
762	9121400	3/8 I.D. X 7/8 O.D. X .064/.104 THICK WROUGHT WASHER (5/16)	2
763	2395761	CLAMP, TUBE	1

STEERING COLUMN ASSEMBLY



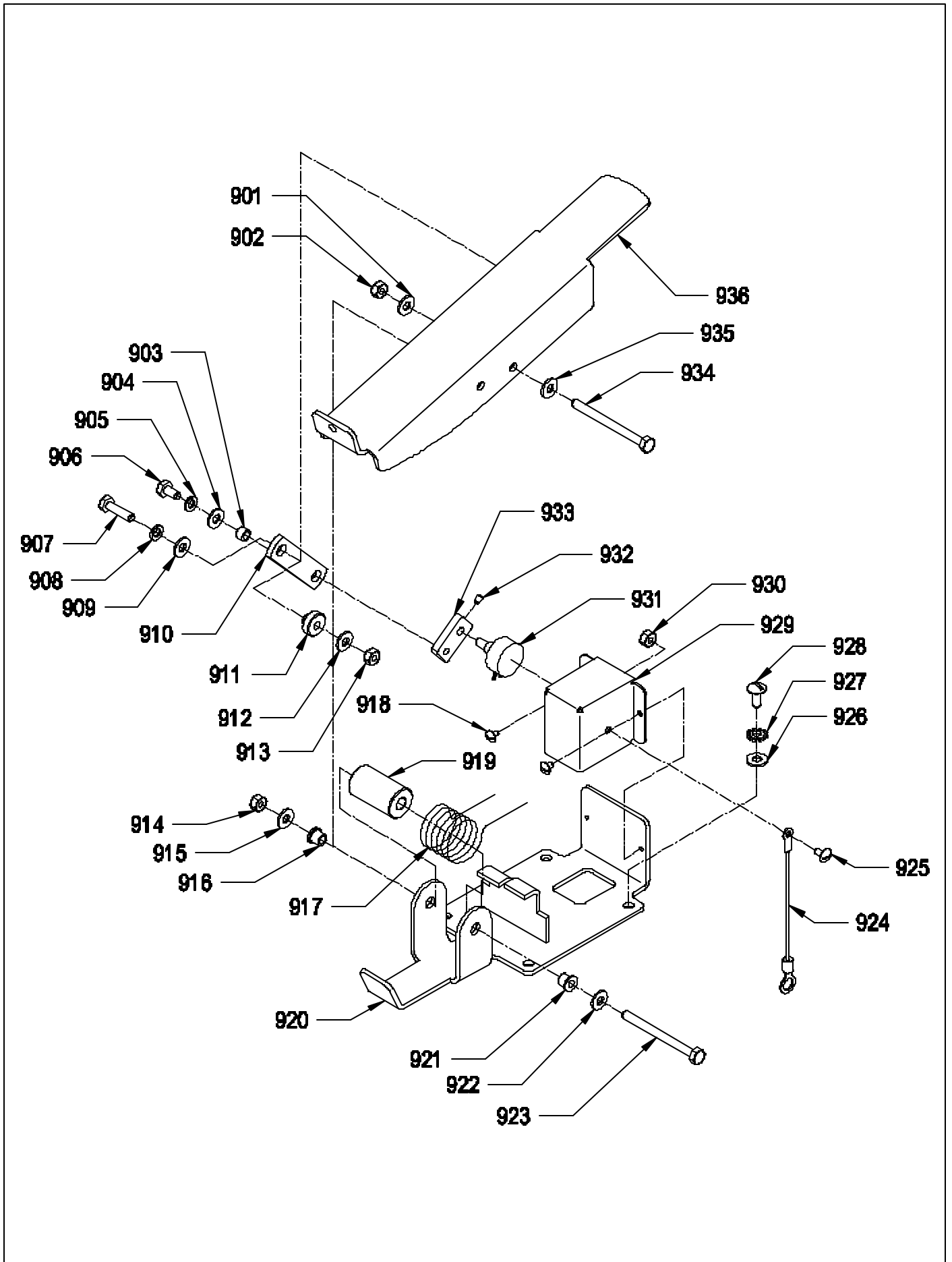
ITEM	PART NO.	DESCRIPTION	QTY.
801	7690931	DECAL - STEERING WHEEL	1
802	7690631	CAP - STEERING WHEEL	1
803	9121640	5/16-18 X 3/4 HEX BOLT	1
804	9121520	5/16 SPLIT LOCK WASHER	1
805	9121985	13/32 I.D. X 1 O.D. X .12 THICK FLAT WASHER (11 GAGE)	1
806	9120827	3/16 SQUARE X 1 LONG KEY - STEEL	1
807	7690611	STEERING WHEEL	1
808	7690661	5/8 SET COLLAR / STEERING SHAFT (INCL. ITEMS 808, 809)	1
809	9121380	5/16-18 X 3/8 SET SCREW - KNURL POINT	1
810	7690921	UPPER STEERING SHAFT	1
811	9120827	3/16 SQUARE X 1 LONG KEY - STEEL	1
812	2790761	BEARING, FLANGE FF-71	1
813	7690733	UPPER COLUMN	1
814	9121380	5/16-18 X 3/8 SET SCREW - KNURL POINT	1
815	7690621	UNIVERSAL JOINT - STEERING (INCL. ITEMS 814, 815, 816)	1
816	9121380	5/16-18 X 3/8 SET SCREW - KNURL POINT	1
817	7691311	TRAN - TORQUE KEYLESS BUSHING	1
818	7691321	SPROCKET	1
819	9121380	5/16-18 X 3/8 SET SCREW - KNURL POINT	1
820	7690661	5/8 SET COLLAR / STEERING SHAFT (INCL. ITEMS 819, 820)	1
821	2790761	BEARING, FLANGE FF-71	1
822	7690713	STEERING COLUMN - BASE	1
823	2790761	BEARING, FLANGE FF-71	1
824	9997600	VINYL TRIM	6"
825	7690911	LOWER STEERING SHAFT	1
826	9120827	3/16 SQUARE X 1 LONG KEY - STEEL	1
827	9121380	5/16-18 X 3/8 SET SCREW - KNURL POINT	1
828	7690661	5/8 SET COLLAR / STEERING SHAFT (INCL. ITEMS 826, 827)	1

INNER STEERING COLUMN ASSEMBLY



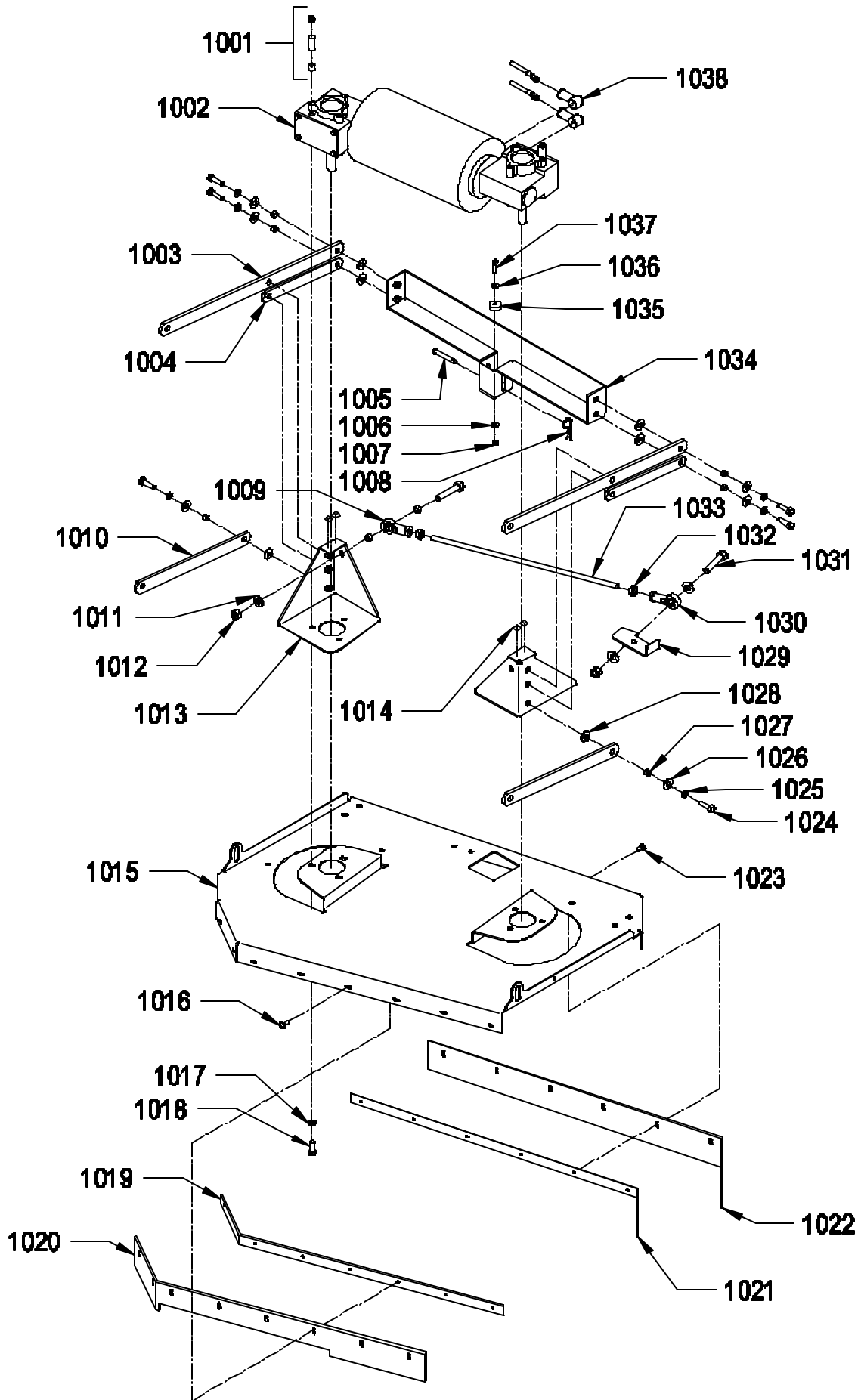
ITEM	PART NO.	DESCRIPTION	QTY.
901	9120930	9/32 I.D. X 5/8 O.D. X .051/.080 THICK SAE FLAT WASHER (1/4)	1
902	9120900	1/4-20 HEX NUT WITH NY-LOK INSERT	1
903	2791281	BUSHING SPACER	1
904	9120930	9/32 I.D. X 5/8 O.D. X .051/.080 THICK SAE FLAT WASHER (1/4)	1
905	9120880	1/4 SPLIT LOCK WASHER	1
906	9121210	1/4-20 X 5/8 HEX BOLT	1
907	9121060	1/4-20 X 1 1/4 HEX BOLT	1
908	9120880	1/4 SPLIT LOCK WASHER	1
909	9120930	9/32 I.D. X 5/8 O.D. X .051/.080 THICK SAE FLAT WASHER (1/4)	1
910	7690891	ACCELERATOR PEDAL ARM	1
911	2691771	PIN, SKIRT LATCH	1
912	9120930	9/32 I.D. X 5/8 O.D. X .051/.080 THICK SAE FLAT WASHER (1/4)	1
913	9120900	1/4-20 HEX NUT WITH NY-LOK INSERT	1
914	9120900	1/4-20 HEX NUT WITH NY-LOK INSERT	1
915	9120930	9/32 I.D. X 5/8 O.D. X .051/.080 THICK SAE FLAT WASHER (1/4)	1
916	7690801	1/4 I.D. X 3/8 O.D. X 3/8 LONG FLANGE BEARING - THROTTLE PEDAL	1
917	7690821	TORSION SPRING - ACCELERATOR PEDAL	1
918	9120210	8-32 X 1/4 TRUSS HEAD PHILLIPS MACHINE SCREW	2
919	7690811	GUIDE	1
920	7690841	PIVOT BRACKET - ACCELERATOR	1
921	7690801	1/4 I.D. X 3/8 O.D. X 3/8 LONG FLANGE BEARING - THROTTLE PEDAL	1
922	9120930	9/32 I.D. X 5/8 O.D. X .051/.080 THICK SAE FLAT WASHER (1/4)	1
923	9121350	1/4-20 X 3 HEX HEAD BOLT	1
924	7691731	GROUND WIRE	1
925	9120500	10-24 X 3/8 TRUSS HEAD PHILLIPS MACHINE SCREW	1
926	9120930	9/32 I.D. X 5/8 O.D. X .051/.080 THICK SAE FLAT WASHER (1/4)	4
927	9120970	1/4 EXTERNAL STAR LOCK WASHER	4
928	9121000	1/4-20 X 5/8 TRUSS HEAD PHILLIPS MACHINE SCREW	1
929	7690851	COVER - POTENTIOMETER	1
930	9120350	10-24 HEX NUT WITH NY-LOK INSERT	1
931	2694131	POTENTIOMETER - CURTIS SPEED CONTROL	1
932	9120225	8-32 X 1/4 SET SCREW - KNURL POINT - ALLOY	1
933	7690881	POTENTIOMETER ARM	1
934	9121350	1/4-20 X 3 HEX HEAD BOLT	1
935	9120930	9/32 I.D. X 5/8 O.D. X .051/.080 THICK SAE FLAT WASHER (1/4)	1
936	7690833	PEDAL - ACCELERATOR	1

ACCELERATOR PEDAL ASSEMBLY



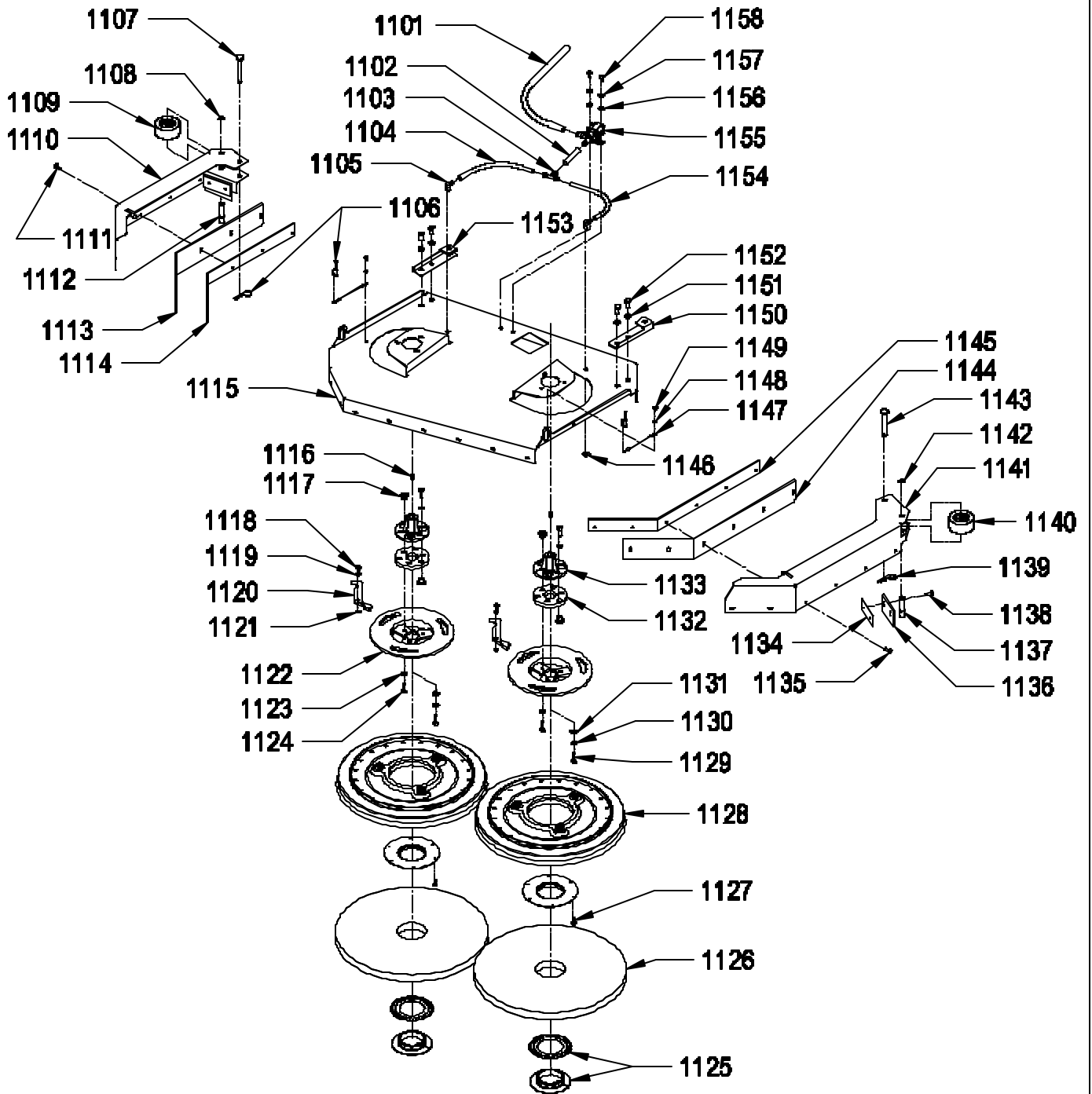
ITEM	PART NO.	DESCRIPTION	QTY.
1001	7691771	BRUSH MOTOR BREATHER ASSEMBLY	2
1002	7693501	BRUSH MOTOR	1
	7691841	BRUSH MOTOR GEAR BOX	2
	7692041	REPLACEMENT CARBON BRUSH - BRUSH MOTOR	4
1003	7693611	MAIN LIFT BAR	2
1004	7693631	FRONT STABILIZER BAR	2
1005	7690311	3/8" DIAMETER X 2.505" LONG CLEVIS PIN	1
1006	9120930	9/32 I.D. X 5/8 O.D. X .051/.080 THICK SAE FLAT WASHER (1/4)	1
1007	9120900	1/4-20 HEX NUT WITH NY-LOK INSERT	1
1008	7690491	#6 HAIR COTTER PIN	1
1009	2391941	BALL JOINT	1
1010	7693621	REAR STABILIZER BAR	2
1011	9122400	1/2 I.D. X 1 3/32 O.D. X .074/.121 THICK FLAT WASHER (7/16)	3
1012	9122495	1/2-13 HEX NUT WITH NY-LOK INSERT - THIN	2
1013	7693601	BRUSH MOTOR MOUNT	2
1014	2392261	BUMPER BUTTON	4
1015	7693553	BRUSH MOTOR PLATE	1
1016	9120510	10-24 X 1/2 TRUSS HEAD PHILLIPS MACHINE SCREW	8
1017	9121520	5/16 SPLIT LOCK WASHER	6
1018	9122260	3/8-16 X 1 HEX BOLT	6
1019	7693591	REAR SKIRT RUBBER SECURING STRAP	1
1020	7693581	REAR SKIRT RUBBER	1
1021	7693571	FRONT SKIRT RUBBER SECURING STRAP	1
1022	7693561	FRONT SKIRT RUBBER	1
1023	9120510	10-24 X 1/2 TRUSS HEAD PHILLIPS MACHINE SCREW	8
1024	9122300	3/8-16 X 1 1/4 HEX BOLT	14
1025	9122100	3/8 SPLIT LOCK WASHER	14
1026	9121400	3/8 I.D. X 7/8 O.D. X .064/.104 THICK WROUGHT WASHER (5/16)	14
1027	2691181	P/VDI SPACER, STABILIZER BAR	14
1028	9121400	3/8 I.D. X 7/8 O.D. X .064/.104 THICK WROUGHT WASHER (5/16)	14
1029	7693911	PANHARD ROD MOUNT	1
1030	7693941	RUBBER BALL END JOINT	1
1031	9122580	1/2-13 X 2 HEX BOLT	2
1032	9122670	1/2-20 HEX JAM NUT	2
1033	7693921	PANHARD ROD	1
1034	7693743	FRONT LIFT BAR	1
1035	7691361	ACTUATOR SPRING GUIDE	1
1036	9120930	9/32 I.D. X 5/8 O.D. X .051/.080 THICK SAE FLAT WASHER (1/4)	1
1037	9121270	1/4-20 X 1 HEX BOLT	1
1038	6492051	STUD TERMINAL BOOT -RUBBER	2

UPPER BRUSH DRIVE ASSEMBLY



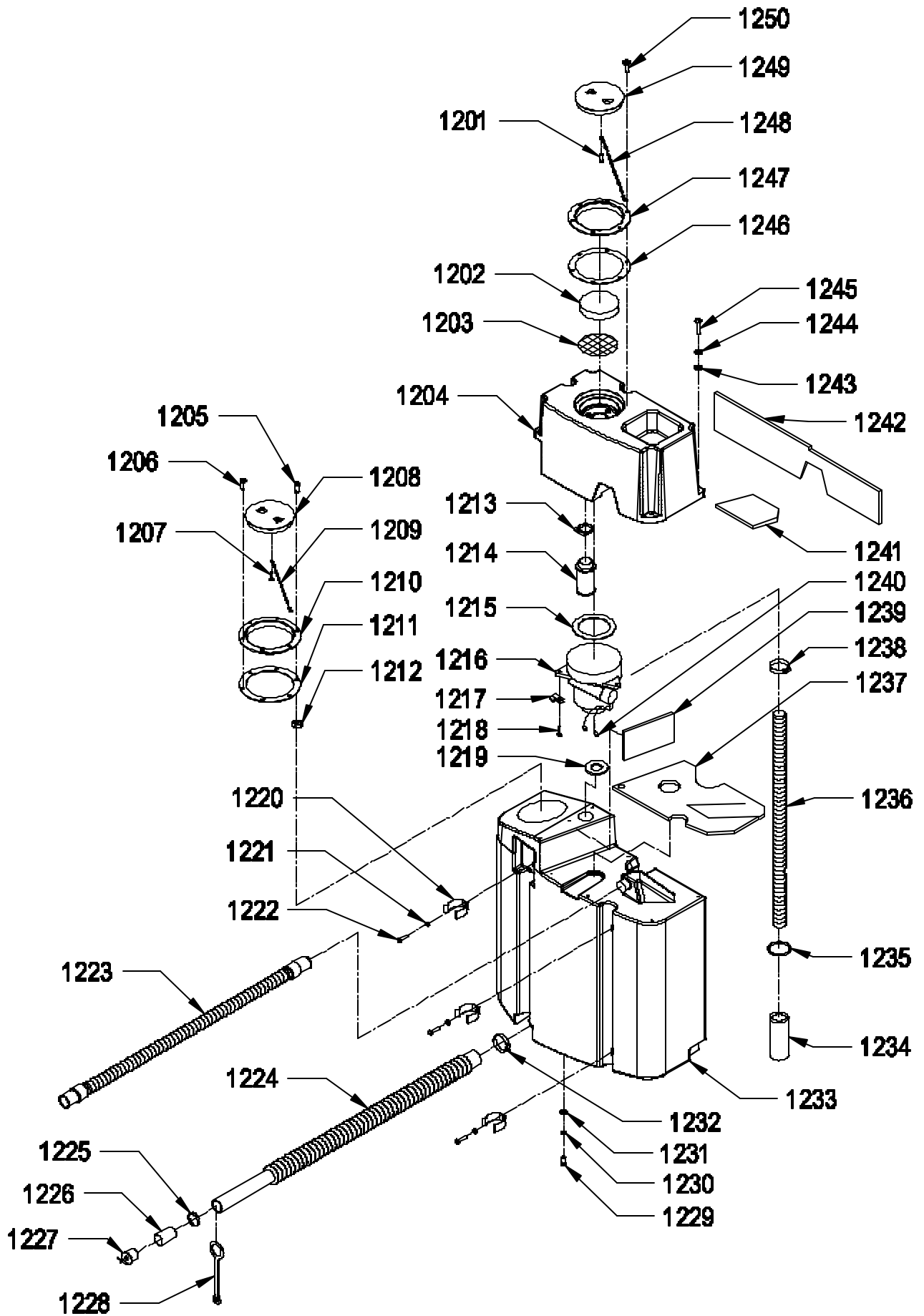
ITEM	PART NO.	DESCRIPTION	QTY.
1101	8791150	HOSE - VINYL 1/2" I.D. X 5/8" O.D.	18"
1102	8791150	HOSE - VINYL 1/2" I.D. X 5/8" O.D.	2"
1103	7691371	TEE - 3/8 X 3/8 X 1/2	1
1104	8791070	HOSE - VINYL 3/8" I.D. X 1/2" O.D.	6"
1105	5092632	90 DEGREE SOLUTION FEED TUBE	2
1106	7690491	#6 HAIR COTTER PIN	2
1107	9122685	1/2 X 2 7/8 CLEVIS PIN	1
1108	5091701	RETAINING RING	1
1109	2790281	BUMPER WHEEL	1
1110	7693683	LEFT SIDE SKIRT	1
1111	9120510	10-24 X 1/2 TRUSS HEAD PHILLIPS MACHINE SCREW	6
1112	7690941	BUMPER WHEEL AXLE	1
1113	7693691	LEFT SIDE SKIRT BLADE	1
1114	7693701	LEFT SIDE SKIRT STRAP	1
1115	7693553	BRUSH MOTOR PLATE	1
1116	9120827	3/6" SQUARE X 1" LONG KEY	2
1117	2698081	DRIVE LUG	12
1118	9121090	1/4-20 X 1/2 TRUSS HEAD PHILLIPS MACHINE SCREW	2
1119	2791281	BUSHING SPACER	2
1120	2790211	DRIVE PLATE LATCH	2
1121	9122120	3/8 I.D. X 5/8 O.D. X .031 THICK WAVE SPRING WASHER	2
1122	2698072	DRIVE CASTING	2
	7691449	LEFT DRIVE CASTING ASSEMBLY (INCL. ITEMS 1117 TO 1124, 1132 AND 1133)	1
	7691459	RIGHT DRIVE CASTING ASSEMBLY (INCL. ITEMS 1117 TO 1124, 1132 AND 1133)	1
1123	9121520	5/16 SPLIT LOCK WASHER	12
1124	9121680	5/16-18 X 1 HEX BOLT	12
1125	5990721	SPLIT RETAINER PAD HOLDER SET	1
1126	—	PAD - SEE OPTIONS PAGE FOR TYPES	2
1127	9120790	10 X 5/8 PAN HEAD PHILLIPS SHEET METAL SCREW	12
1128	7693511	PAD DRIVER 18" (INCLUDES ITEM 1125)	2
	7693521	NYLON BRUSH 18" POLY BLOCK	2
	7693531	STRATAGRIT BRUSH 18" POLY BLOCK	2
	7693541	SCRUB GRIT BRUSH 18" POLY BLOCK	2
1129	9121680	5/16-18 X 1 HEX BOLT	2
1130	9121520	5/16 SPLIT LOCK WASHER	2
1131	9121985	13/32 I.D. X 1 O.D. X .12 THICK FLAT WASHER (11 GAGE)	2
1132	2698061	RUBBER MOUNT	2
1133	7691382	DRIVE HUB	2
1134	1392961	INSIDE SPLASH GUARD STRAP	2
1135	9120510	10-24 X 1/2 TRUSS HEAD PHILLIPS MACHINE SCREW	6
1136	7694021	SIDE SKIRT FRONT BLADE	2
1137	7690941	BUMPER WHEEL AXLE	1
1138	9120510	10-24 X 1/2 TRUSS HEAD PHILLIPS MACHINE SCREW	4
1139	7690491	#6 HAIR COTTER PIN	2
1140	2790281	BUMPER WHEEL	1
1141	7693653	RIGHT SIDE SKIRT	1
1142	5091701	RETAINING RING	1
1143	9122685	1/2 X 2 7/8 CLEVIS PIN	1
1144	7693661	RIGHT SIDE SKIRT BLADE	1
1145	7693671	RIGHT SIDE SKIRT STRAP	1
1146	5092641	RETAINING RING	2
1147	7691331	LANYARD	2
1148	9120320	#10 SPLIT LOCK WASHER	2
1149	9120380	10-24 X 3/8 ROUND HEAD PHILLIPS MACHINE SCREW	2
1150	7690471	SKIRT MOUNT BRACKET - RIGHT HAND	1
1151	9122100	3/8 SPLIT LOCK WASHER	4
1152	9122220	3/8-16 X 3/4 HEX BOLT	4
1153	7690481	SKIRT MOUNT BRACKET - LEFT HAND	1
1154	8791070	HOSE - VINYL 3/8" I.D. X 1/2" O.D.	12"
1155	7690521	SOLUTION SOLENOID VALVE	1
1156	9120930	9/32 I.D. X 5/8 O.D. X .051/.080 THICK SAE FLAT WASHER (1/4)	1
1157	9120970	1/4 EXTERNAL STAR LOCK WASHER	2
1158	9121090	1/4-20 X 1/2 TRUSS HEAD PHILLIPS MACHINE SCREW	2

LOWER BRUSH DRIVE ASSEMBLY



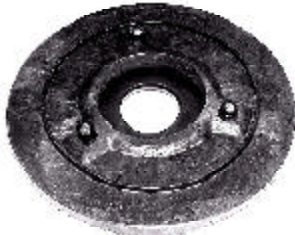
ITEM	PART NO.	DESCRIPTION	QTY.
1201	9120205	#8 X 1/2 PAN HEAD PHILLIPS SHEET METAL SCREW	1
1202	7690791	VAC MOTOR FILTER	1
1203	7690781	VAC MOTOR SCREEN	1
1204	7693861	VAC MOTOR COVER	1
1205	9120450	10-24 X 1 ROUND HEAD PHILLIPS MACHINE SCREW	1
1206	9120790	10 X 5/8 PAN HEAD PHILLIPS SHEET METAL SCREW	5
1207	9120205	#8 X 1/2 PAN HEAD PHILLIPS SHEET METAL SCREW	1
1208	2690911	LID - CLEAR, RECOVERY TANK	1
1209	2690931	LID CHAIN, RECOVERY TANK	1
1210	2690921	BLACK RING, RECOVERY TANK	1
	2690881	RECOVERY TANK LID ASSEMBLY (INCL. ITEMS 1207 TO 1210)	1
1211	2690891	RECOVERY TANK LID GASKET	1
1212	9120350	10-24 HEX NUT WITH NY-LOK INSERT	1
1213	4894081	NYLON HOSE CLAMP - 1 19/32" TO 1 13/16" DIAMETER	1
1214	2391541	FLOAT SCREEN ASSEMBLY	1
1215	2490561	GASKET - VAC MOTOR	1
1216	7693851	VAC MOTOR, 36 VOLT	1
	7694031	CARBON BRUSH - VAC MOTOR	2
1217	4890851	CABLE CLAMP	1
	9120930	9/32 I.D. X 5/8 O.D. X .051/0080 THICK SAE FLAT WASHER (1/4)	2
1218	9121060	1/4-20 X 1 1/4 HEX BOLT	3
1219	7691351	GASKET - 1 1/2" I.D. X 3" O.D.	1
1220	7691921	SPRING CLIP - HOSE	3
1221	9120030	#6 SPLIT LOCK WASHER	6
1222	9120070	6-32 X 3/8 ROUND HEAD PHILLIPS MACHINE SCREW	6
1223	7690951	VACUUM HOSE WITH CUFFS	1
1224	2391671	DRAIN HOSE, CRUSHPROOF	1
1225	2392161	TUBE HOSE CLAMP - CRIMP TYPE	1
1226	2391661	HOSE TUBE	1
1227	2795621	DRAIN PLUG	1
1228	2791881	PLUG STRAP	1
1229	9122220	3/8-16 X 3/4 HEX HEAD BOLT	2
1230	9122100	3/8 SPLIT LOCK WASHER	2
1231	9121400	3/8 I.D. X 7/8 O.D. X .064/.104 THICK WROUGHT WASHER (5/16)	2
1232	4495441	HOSE CLAMP - 1 9/16" TO 2 1/4" DIAMETER	1
1233	7690021	RECOVERY TANK	1
1234	7691261	EXHAUST MUFFLER TUBE	1
1235	9123000	1/8 X 11" WIRE TIE	1
1236	7693901	FLEXIBLE VACUUM MOTOR DISCHARGE HOSE	1
1237	7693841	VAC COVER INSULATION - BOTTOM	1
1238	4495441	HOSE CLAMP - 1 9/16" TO 2 1/4" DIAMETER	1
1239	7693871	VAC COVER INSULATION - SIDE - SMALL	1
1240	2690581	1/4 SPADE MALE TERMINAL 10 X 12 YELLOW	2
1241	7693891	VAC COVER INSULATION - TOP	1
1242	7693881	VAC COVER INSULATION - SIDE - LARGE	1
1243	9120933	.250 I.D. X .875 O.D. X .075 THICK FLAT WASHER	6
1244	9120330	#10 EXTERNAL STAR LOCK WASHER	6
1245	9120535	10-24 X 1 1/2 TRUSS HEAD PHILLIPS MACHINE SCREW	6
1246	2690891	RECOVERY TANK LID GASKET	1
1247	2690921	BLACK RING, RECOVERY TANK	1
	2690881	RECOVERY TANK LID ASSEMBLY (INCL. ITEMS 1201, 1247 TO 1249)	1
1248	2690931	LID CHAIN, RECOVERY TANK	1
1249	2690911	LID - CLEAR, RECOVERY TANK	1
1250	9120790	10 X 5/8 PAN HEAD PHILLIPS SHEET METAL SCREW	7

RECOVERY TANK



ACCESSORIES

PART NO.	DESCRIPTION
7691839	HEADLIGHT KIT
7691829	OVERHEAD LIGHT KIT
7692141	AUTO FILL BATTERY SYSTEM
7692181	LOW WATER BATTERY ALARM
7693959	CHAMP 35, BUMPER ASSEMBLY KIT
2392129	WET PICKUP KIT, INCLUDES:
2291211	5" CONNECTOR, ALUMINUM
2391231	VACUUM HOSE, 7 FOOT
5790211	17" SQUEEGEE, PLASTIC
5790331	STEEL WAND, 2 PIECE
2392179	BRUSH / SQUEEGEE KIT, INCLUDES:
2291215	5" CONNECTOR, ALUMINUM
2290209	STEEL WAND, 1 PIECE
2391231	VACUUM HOSE, 7 FOOT
3097849	14" BRUSH / SQUEEGEE TOOL
2795231	SPLIT RETAINER - PAD HOLDER RING ONLY
2795241	PAD HOLDER ASSEMBLY
7693511	PAD DRIVER 18" (INCL. PAD HOLDER AND SPLIT RETAINER)
7693521	18" NYLONBRUSH
7693531	18" STRATAGRIT BRUSH
7693541	18" SCRUB GRIT BRUSH
7991901	18" BLACK STRIP PAD - CASE 5
7991911	18" GREEN SCRUB PAD - CASE 5
7991921	18" GRAY AUTO SCRUB PAD - CASE 5
7991931	18" LITE BLUE FINISH PAD - CASE 5
7991941	18" ULTRA HAIR HARD FINISH PAD - CASE 5



NSS ® Enterprises, Inc.

3115 Frenchmens Road, Toledo, Ohio 43607
 PHONE (419) 531-2121 FAX (419) 531-3761
NSS ® Enterprises, Inc. European Distribution Centre
 Unit II, Pinfold Trading Estate * 55 Nottingham Road
 STAPLEFORD, NOTTINGHAM NG9 8AD ENGLAND U.K.
 PHONE: (44) 0115 939 1568 * FAX: (44) 0115 949 0615