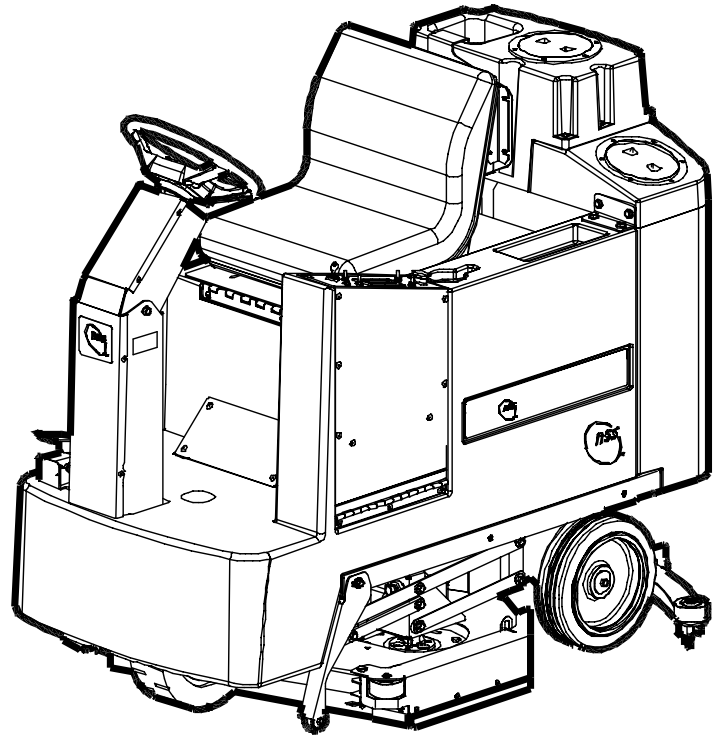
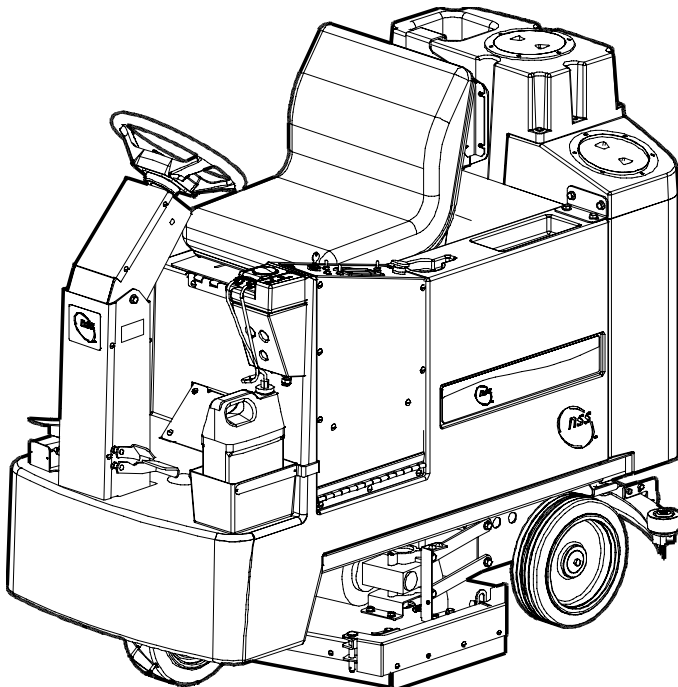


PARTS LIST
CHAMP 3329 RB



WITHOUT SIDEKICK CHEMICAL METERING

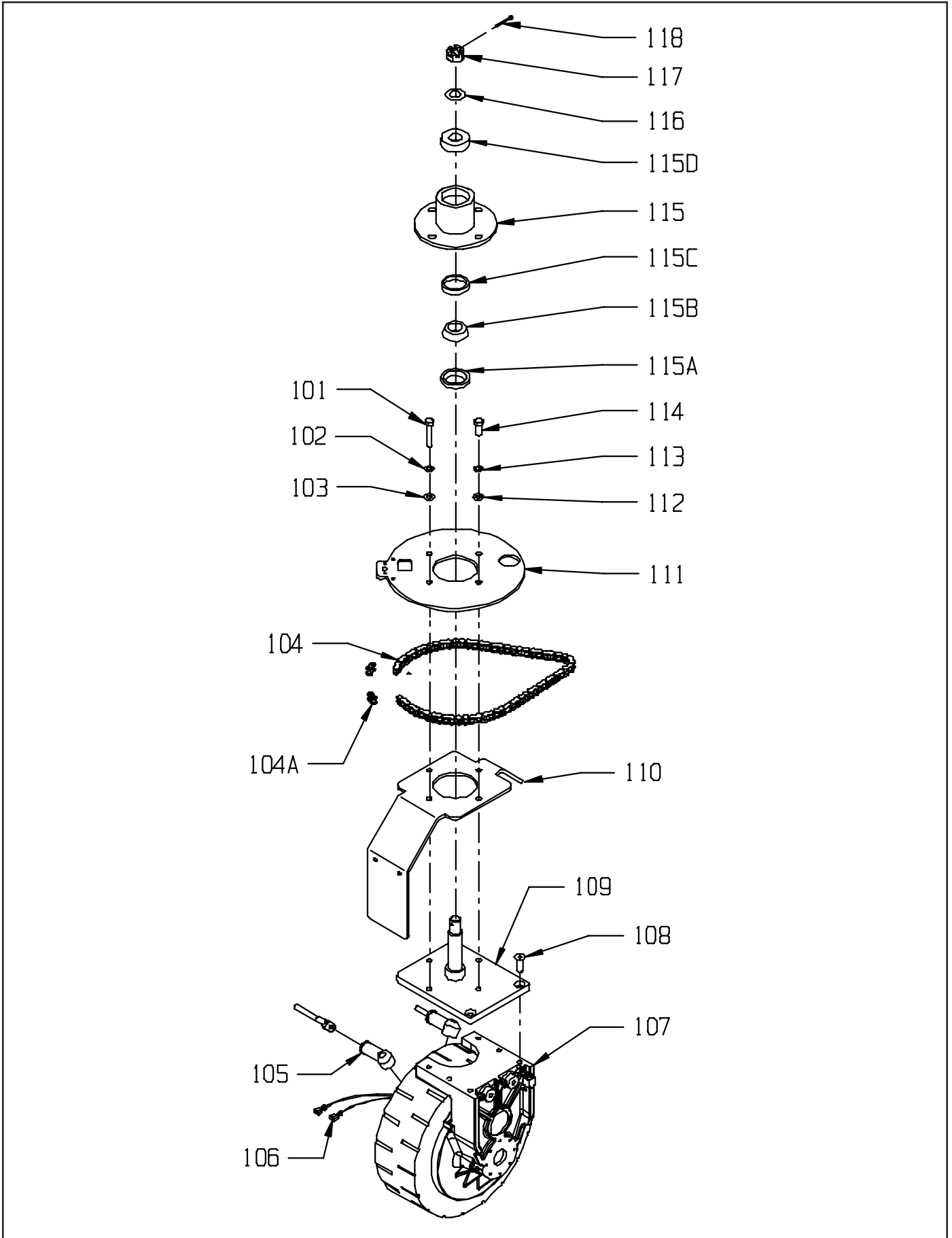


**WITH SIDEKICK CHEMICAL
METERING**



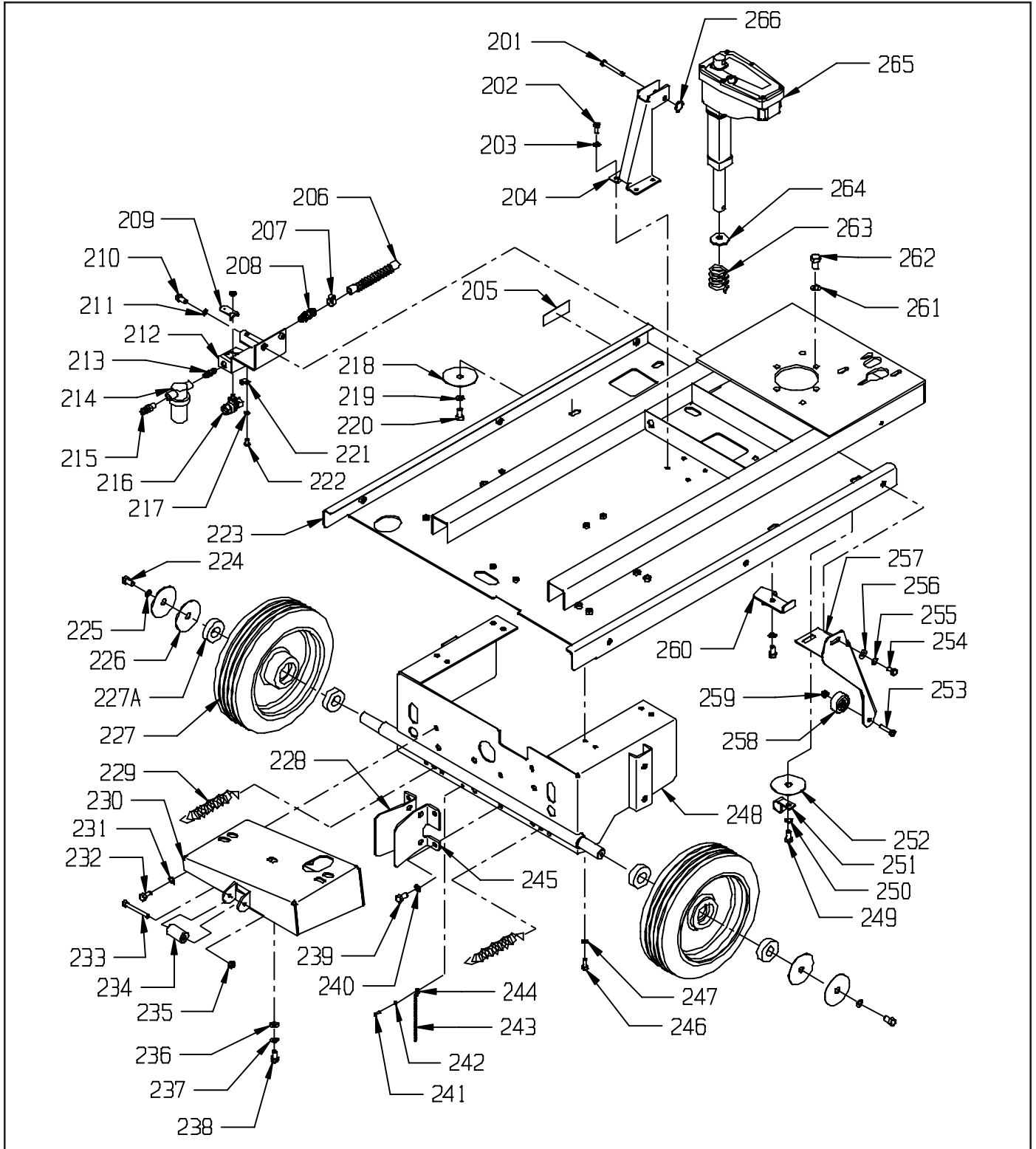
<u>ITEM</u>	<u>PART NO.</u>	<u>DESCRIPTION</u>	<u>QTY.</u>
101	9124000	M10 - 1.5 X 50 HEX HEAD BOLT - PACK OF 2	2
102	9124003	M10 SPLIT LOCK WASHER - PACK OF 5	2
103	9124002	M10 FLAT WASHER - PACK OF 5	2
104	7691259	CHAIN KIT - CHAIN WITH TWO MASTERS - INCLUDES:	1
	2790341	ROLLER CHAIN 67 LINKS WITHOUT MASTER	1
104A	2795211	LINK - MASTER #40 CHAIN NICKEL	2
105	6492051	STUD TERMINAL BOOT - RUBBER	2
106	4991371	FULLY INSULATED MALE TERMINAL 18-22 GAGE	2
107	7695561	CHASSIS DRIVE 300 - INCLUDES:	1
	7695581	WHEEL / TIRE CD300	1
	7695599	WHEEL BOLTS & LOCK WASHERS CD300 - KIT	1
	7695241	WHEEL BOLTS	10
	7695251	WHEEL LOCK WASHERS	10
	7695261	MOTOR	1
	7695271	CARBON BRUSH	4
108	9124001	M10 - 1.5 X 30 FLAT HEAD SOCKET CAPS SCREW	4
109	7690581	STEERING YOKE	1
110	7690563	FENDER / TOW HOOK / SPACER	1
111	7690571	DRIVEN SPROCKET - STEERING	1
112	9122100	3/8 I.D. X 7/8 O.D. X .064/.104 THICK WROUGHT WASHER (5/16) - PK - 10	2
113	9122100	3/8 SPLIT LOCK WASHER - PACK OF 10	2
114	9122300	3/8-16 X 1 1/4 HEX BOLT - PACK OF 2	2
115	7690509	BEARING BLOCK - STEERING ASSEMBLY - INCLUDES:	1
115A	7690591	SEAL - STEERING	1
115B	7690671	BEARING CONE - STEERING BOTTOM	1
115C	7690681	BEARING CUP - STEERING BOTTOM	1
115D	2790311	BEARING, BOTTOM END	1
116	9123105	3/4 I.D. X 1 1/4 O.D. X .071/.082 THICK FLAT WASHER (11 GAGE)-PK-5	1
117	9123100	3/4-16 HEX SLOTTED NUT - STEEL - PACK OF 1	1
118	9120314	1/8 X 1 1/4 COTTER PIN - STEEL - PACK OF 5	1

DRIVE WHEEL ASSEMBLY



<u>ITEM</u>	<u>PART NO.</u>	<u>DESCRIPTION</u>	<u>QTY.</u>
201	7690311	3/8" DIAMETER X 2.505 LONG CLEVIS PIN	1
202	9121210	1/4-20 X 5/8 HEX BOLT - PACK OF 10	4
203	9120880	1/4 SPLIT LOCK WASHER - PACK OF 10	4
204	7690301	BRUSH ACTUATOR BRACKET	1
205	3393591	STRAINER LOCATION LABEL	1
206	7693781	6 1/2 X 3/4 CONVOLUTED HOSE	1
207	7693811	HOSE CLAMP 9/16" TO 1 1/16"	1
208	7695161	3/4 HOSE BARB X 1/4 MPT FITTING	1
209	7691041	VALVE LEVER	1
210	9121600	5/16-18 X 5/8 HEX BOLT - PACK OF 5	2
211	9121520	5/16 SPLIT LOCK WASHER - PACK OF 10	2
212	7691031	SOLUTION VALVE HANGER	1
213	3891941	1/4 NPT HEX NIPPLE	1
214	3393551	INLINE CANISTER STRAINER (INCLUDES)	1
	3393611	STRAINER ELEMENT	1
	3394559	KIT, BOWL & GASKETS (INCLUDES)	1
	3393621	GASKET	1
	3392731	BOWL	1
215	2495161	1/2 HOSE BARB X 1/4 MPT	1
216	2397961	SOLUTION VALVE	1
217	9120370	7/32 I.D. X 1/2 O.D. X .032/.065 THICK SAE FLAT WASHER (#10) - PACK OF 10	1
218	9122110	3/8 X 1 1/2 FENDER WASHER - PACK OF 10	2
219	9122100	3/8 SPLIT LOCK WASHER - PACK OF 10	2
220	9122220	3/8-16 X 3/4 HEX BOLT - PACK OF 5	2
221	7691061	CONDUIT CLAMP	1
222	9120510	10-24 X 1/2 TRUSS HEAD PHILLIPS MACHINE SCREW - PACK OF 5	1
223	7693931	MAIN FRAME - CHAMP 35	1
224	9122220	3/8-16 X 3/4 HEX BOLT - PACK OF 5	2
225	9122100	3/8 SPLIT LOCK WASHER - PACK OF 10	2
226	9122110	3/8 X 1 1/2 FENDER WASHER - PACK OF 10	4
227	7690081	12 X 3 WHEEL - INCLUDES:	2
227A	2790311	BEARING, BOTTOM END	2
228	7693731	LEFT HAND SQUEEGEE MOUNT / STOP BRACKET	1
229	7690291	EXTENSION SPRING, SQUEEGEE	2
230	7694013	MOUNTING BRACKET - LOWER RECOVERY TANK	1
231	9122100	3/8 SPLIT LOCK WASHER - PACK OF 10	4
232	9122220	3/8-16 X 3/4 HEX BOLT - PACK OF 5	4
233	9122350	3/8-16 X 3 HEX BOLT - PACK OF 1	1
234	7690811	GUIDE	1
235	9122140	3/8-16 HEX NUT WITH NY-LOK INSERT - PACK OF 5	1
236	9121400	3/8 I.D. X 7/8 O.D. X .064/.104 THICK WROUGHT WASHER (5/16) - PACK OF 10	2
237	9122100	3/8 SPLIT LOCK WASHER - PACK OF 10	2
238	9122220	3/8-16 X 3/4 HEX BOLT - PACK OF 5	2
239	9122220	3/8-16 X 3/4 HEX BOLT - PACK OF 5	4
240	9122100	3/8 SPLIT LOCK WASHER - PACK OF 10	4
241	9120380	10-24 X 3/8 ROUND HEAD PHILLIPS MACHINE SCREW - PACK OF 10	1
242	9120320	#10 SPLIT LOCK WASHER - PACK OF 10	1
243	6491860	ROUND BEAD CHAIN (CUT TO 6")	.5
244	6491871	END COUPLING - ROUND BEAD CHAIN	1
245	7693721	RIGHT HAND SQUEEGEE MOUNT / STOP BRACKET	1
246	9122220	3/8-16 X 3/4 HEX BOLT - PACK OF 5	8
247	9122100	3/8 SPLIT LOCK WASHER	8
248	7693713	AXLE BRACKET	1
249	9122260	3/8-16 X 1 HEX BOLT - PACK OF 2	2
250	9122100	3/8 SPLIT LOCK WASHER - PACK OF 10	2
251	2395761	CLAMP, TUBE	1
252	9122110	3/8 X 1 1/2 FENDER WASHER - PACK OF 10	1
253	9121780	5/16-18 X 1-1/2 HEX BOLT - PACK OF 2	1
254	9122220	3/8-16 X 3/4 HEX BOLT - PACK OF 5	2
255	9122100	3/8 SPLIT LOCK WASHER - PACK OF 10	2
256	9121980	7/16 I.D. X 1 O.D. X .075/.080 THICK FLAT WASHER (3/8) - PACK OF 2	2
257	7695481	TIP STOP, RIGHT	1
	7695491	TIP STOP, LEFT	1
258	3096741	WHEEL, BUMPER-SMALL GRAY	2
259	9121450	5/16-18 HEX NUT WITH NY-LOK INSERT - PACK OF 5	2

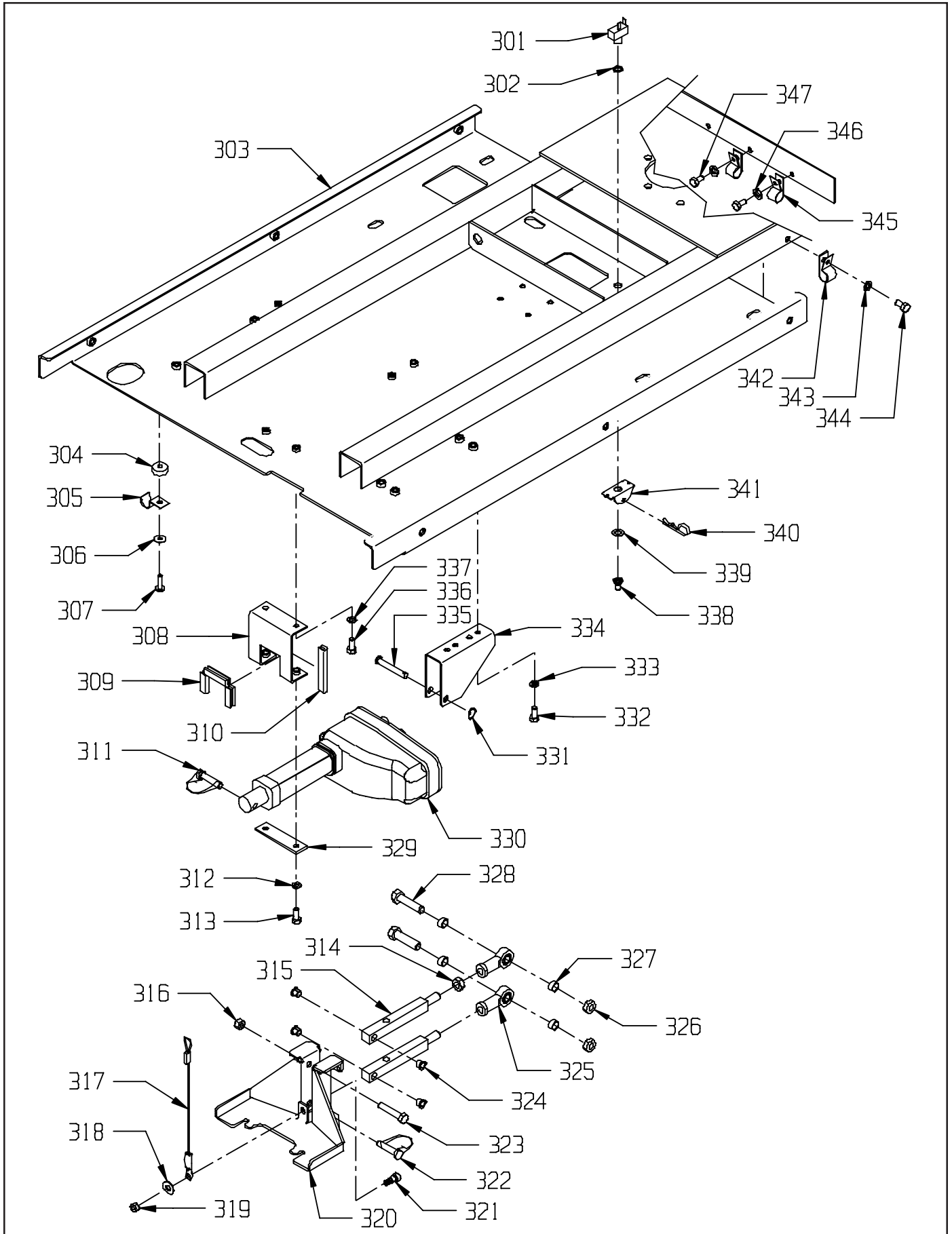
CHASSIS ASSEMBLY



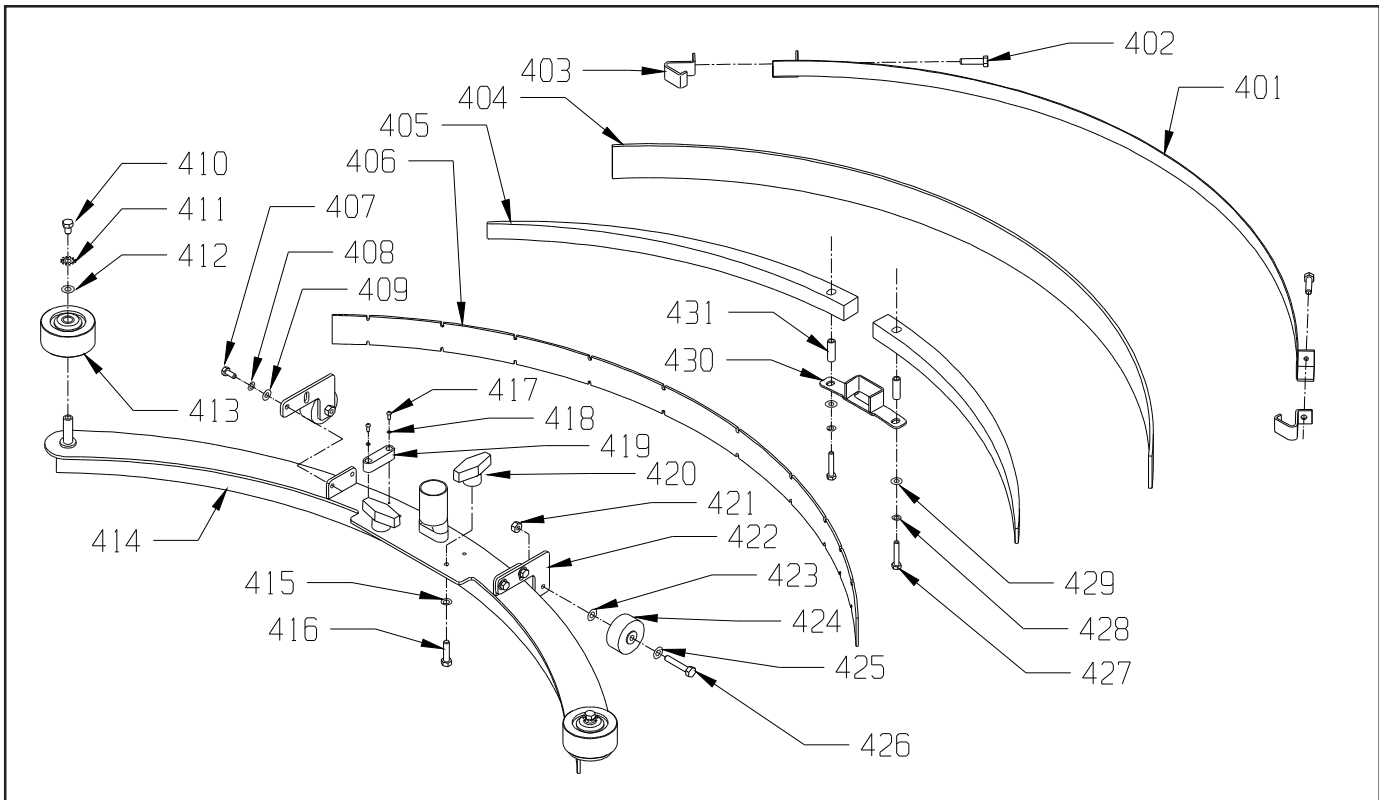
ITEM	PART NO.	DESCRIPTION	QTY.
260	7693911	PANHARD ROD MOUNT	1
261	9122420	1/2 SPLIT LOCK WASHER - PACK OF 5	4
262	9122500	1/2-13 X 7/8 HEX BOLT - PACK OF 2	4
263	7693641	COMPRESSION SPRING	1
264	3190191	STRING GUARD-PLATED	1
265	7690549	BRUSH / SQUEEGEE ACTUATOR KIT	1
	7692209	ACTUATOR LIMIT SWITCH KIT	1
266	2392561	CIRCLE COTTER PIN	1

<u>ITEM</u>	<u>PART NO.</u>	<u>DESCRIPTION</u>	<u>QTY.</u>
301	3390411	FORWARD - REVERSE SWITCH	1
302	0798821	5/8" HEX NUT (LARGE NUT)	1
303	7693931	MAIN FRAME	1
304	7691361	ACTUATOR SPRING GUIDE	1
305	2690971	HOSE CLIP	1
306	9120930	9/32 I.D. X 5/8 O.D. X .051/.080 THICK SAE FLAT WASHER (1/4) - PACK OF 10	1
307	9121270	1/4-20 X 1 HEX BOLT - PACK OF 10	1
308	7690191	ACTUATOR MOUNT - REAR	1
309	9997590	METAL CORE QUICKEDGE TRIM (CUT TO 2.5", 2.75", 2.5")	.6
310	9997590	METAL CORE QUICKEDGE TRIM (CUT TO 3")	.3
311	9121950	3/8 X 1 5/8 CLEVIS PIN WITH RETAINER - PACK OF 1	1
312	9121520	5/16 SPLIT LOCK WASHER - PACK OF 10	2
313	9121640	5/16-18 X 3/4 HEX BOLT - PACK OF 5	2
314	9122670	1/2-20 HEX JAM NUT - PACK OF 5	1
315	1390156	SQUEEGEE SHAFT	2
316	9122140	3/8-16 HEX NUT WITH NY-LOK INSERT - PACK OF 5	1
317	7691071	SQUEEGEE LIFT CABLE	1
318	9121400	3/8 I.D. X 7/8 O.D. X .064/.104 THICK WROUGHT WASHER (5/16) - PACK OF 10	1
319	9121450	5/16-18 HEX NUT WITH NY-LOK INSERT - PACK OF 5	1
320	7693831	SQUEEGEE BRACKET	1
321	9122020	3/8 DIA. X 3/8 LONG SOCKET HEAD SHOULDER BOLT 5/16-18 - PACK OF 1	1
322	9121950	3/8 X 1 5/8 CLEVIS PIN WITH RETAINER - PACK OF 1	1
323	9122340	3/8-16 X 2 HEX BOLT - PACK OF 2	1
324	1391171	3/8 FLANGE NYLINER	4
325	2391941	BALL JOINT	2
326	9122495	1/2-13 HEX NUT WITH NY-LOK INSERT - THIN - PACK OF 1	2
327	2391461	BUSHING - LIFT LEVER	4
328	9122580	1/2-13 X 2 HEX BOLT - PACK OF 1	2
329	7690201	ACTUATOR MOUNT CLAMP	1
330	7690549	BRUSH / SQUEEGEE ACTUATOR KIT	1
	7692209	ACTUATOR LIMIT SWITCH KIT	1
331	2392561	CIRCLE COTTER	1
332	9121640	5/16-18 X 3/4 HEX BOLT - PACK OF 5	2
333	9121520	5/16 SPLIT LOCK WASHER - PACK OF 10	2
334	7694061	FRONT MOUNT - SQUEEGEE ACTUATOR	1
335	7690311	3/8" DIAMETER X 2.505" LONG CLEVIS PIN	1
336	9121640	5/16-18 X 3/4 HEX BOLT - PACK OF 5	2
337	9121520	5/16 SPLIT LOCK WASHER - PACK OF 10	2
338	0693141	RUBBER SWITCH BOOT	1
339	0691851	1/2" INTERNAL STAR LOCK WASHER	1
340	7690491	#6 HAIR COTTER PIN	1
341	7691791	SWITCH GUARD	1
342	2395761	CLAMP, TUBE	1
343	9120880	1/4 SPLIT LOCK WASHER - PACK OF 10	1
344	9121210	1/4-20 X 5/8 HEX BOLT - PACK OF 10	1
345	3291111	CORD CLAMP	2
346	9120880	1/4 SPLIT LOCK WASHER - PACK OF 10	2
347	9121210	1/4-20 X 5/8 HEX BOLT - PACK OF 10	2

SQUEEGEE ACTUATOR ASSEMBLY

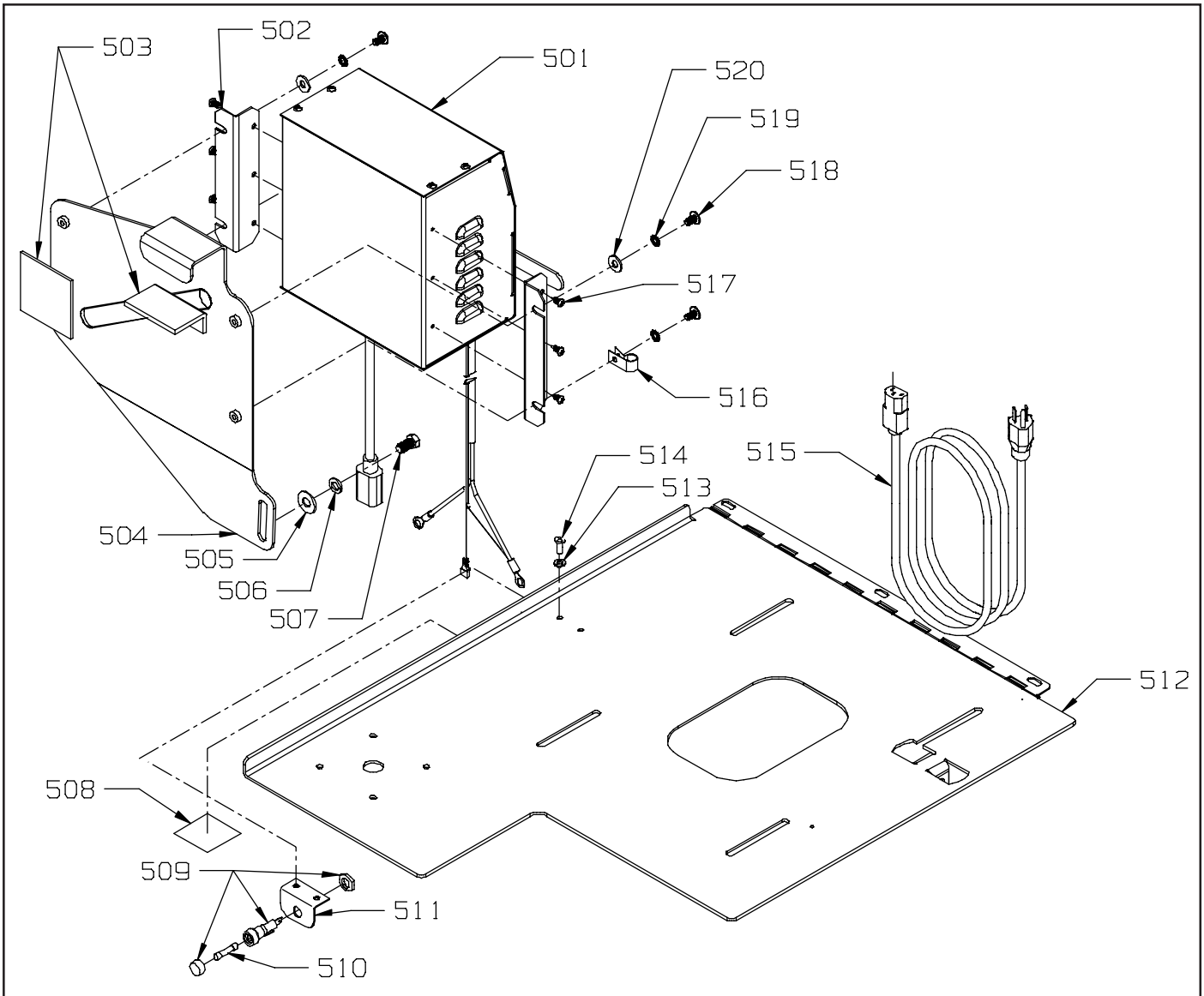


CURVED SQUEEGEE ASSEMBLY - 7693809



<u>ITEM</u>	<u>PART NO.</u>	<u>DESCRIPTION</u>	<u>QTY.</u>
401	2693841	REAR SECURING STRAP	1
402	9121720	5/16-18 X 1 1/4 HEX HEAD FULL THREADED BOLT - PACK OF 5	2
403	2492561	HOOKED END	2
404	7693381	REAR SQUEEGEE BLADE - LINETEX	1
405	2693811	CENTER WEDGE	2
406	2693821	FRONT BLADE	1
407	9121560	5/16-18 X 1/2 HEX BOLT - PACK OF 5	2
408	9121410	5/16 EXTERNAL STAR LOCK WASHER - PACK OF 10	2
409	9121390	11/32 I.D. X 11/16 O.D. X .051/.080 THICK SAE FLAT WASHER (5/16)-PK-10	2
410	9121210	1/4-20 X 5/8 HEX BOLT - PACK OF 10	4
411	9120880	1/4 SPLIT LOCK WASHER - PACK OF 10	4
412	9120930	9/32 I.D. X 5/8 O.D. X .051/.080 THICK SAE FLAT WASHER (1/4) - PACK OF 10	4
413	2790281	BUMPER WHEEL	2
414	7693823	MAIN HOUSING	1
415	9121520	5/16 SPLIT LOCK WASHER - PACK OF 1	2
416	9121720	5/16-18 X 1 1/4 HEX HEAD FULL THREADED BOLT - PACK OF 2	2
417	9120070	6-32 X 3/8 ROUND HEAD PHILLIPS MACHINE SCREW - PACK OF 10	2
418	9120030	#6 SPLIT LOCK WASHER - PACK OF 10	2
419	2492581	SQUEEGEE LEVEL	1
420	3392971	T-KNOB - SQUEEGEE	2
421	9121450	5/16-18 HEX NUT WITH NY-LOCK INSERT - PACK OF 5	2
422	2492571	DOLLY WHEEL MOUNTING BRACKET	2
423	9121390	11/32 I.D. X 11/16 O.D. X .051/.080 THICK SAE FLAT WASHER (5/16)-PK-10	2
424	3096741	ROLLER WHEEL	2
425	9121390	11/32 I.D. X 11/16 O.D. X .051/.080 THICK SAE FLAT WASHER (5/16)-PK-10	2
426	9121760	5/16-18 X 1 3/4 HEX BOLT - PACK OF 2	2
427	9121280	1/4-20 X 1 1/2 HEX BOLT - PACK OF 5	2
428	9120880	1/4 SPLIT LOCK WASHER - PACK OF 10	2
429	9120930	9/32 I.D. X 5/8 O.D. X .051/.080 THICK SAE FLAT WASHER (1/4)-PK-10	2
430	2492541	CENTER HOLD DOWN	1
431	2492591	CENTER HOLD DOWN SPACER	2

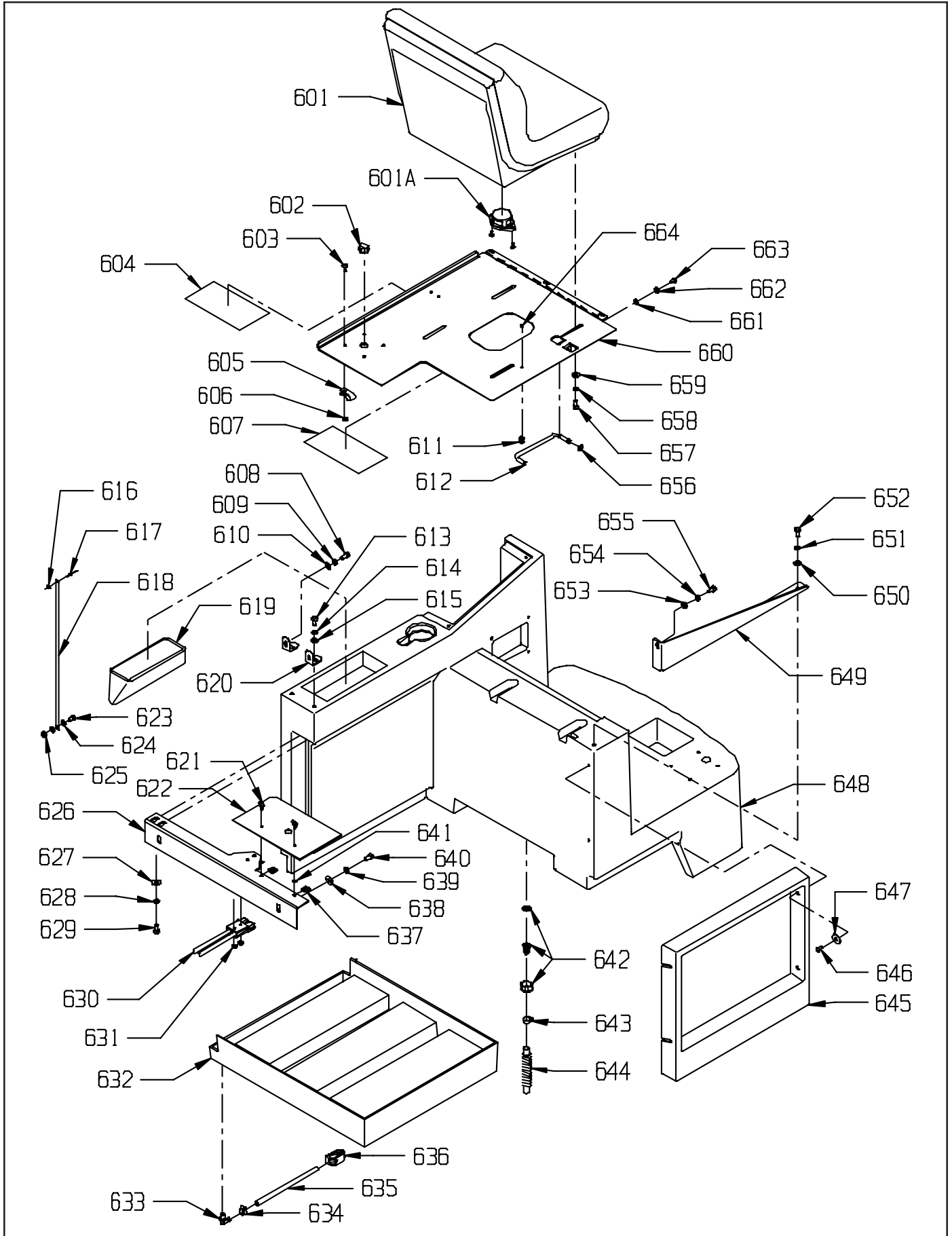
ONBOARD CHARGER



<u>ITEM</u>	<u>PART NO.</u>	<u>DESCRIPTION</u>	<u>QTY.</u>
501	6497531	36 VOLT ONBOARD CHARGER 120/240 VOLT, 25 AMP - INCLUDES:	1
	2695861	CORD WRAP	1
502	2695841	CHARGER MOUNTING BRACKET	2
503	7692711	MOUNTING BRACKET PAD	2
504	7692681	ONBOARD CHARGER MOUNT	1
505	9120930	1/4 FLAT WASHER - PACK OF 2	1
506	9120880	1/4 LOCK WASHER - PACK OF 10	1
507	9121250	1/4-16 X 3/4" LONG HEX HEAD BOLT - PACK OF 5	1
508	3394721	FUSE DECAL	1
509	4990321	FUSE HOLDER WITH NUT & WASHER	1
510	6496451	FAST-ACTING FUSE 2 AMP	1
511	7692253	FUSE HOLDER MOUNT	1
512	7692691	BATTERY COVER/SEAT PLATE	1
513	9120330	#10 EXTERNAL STAR LOCK WASHER - PACK OF 10	2
514	9120500	10-24 X 3/8 FLAT HEAD PHILLIPS MACHINE SCREW - PACK OF 10	2
515	6495701	120 VOLT ONBOARD CHARGER CORD	1
	6495711	240 VOLT ONBOARD CHARGER CORD	1
516	3291111	CORD CLAMP	1
517	9120810	#10 X 1/2 PAN HEAD SHEET METAL SCREW - PACK OF 10	6
518	9121090	1/4-20 X 1/2 TRUSS HEAD PHILLIPS MACHINE SCREW - PACK OF 5	4
519	9120970	1/4 STAR LOCK WASHER - PACK OF 10	4
520	9120940	1/4 FLAT WASHER - PACK OF 10	4

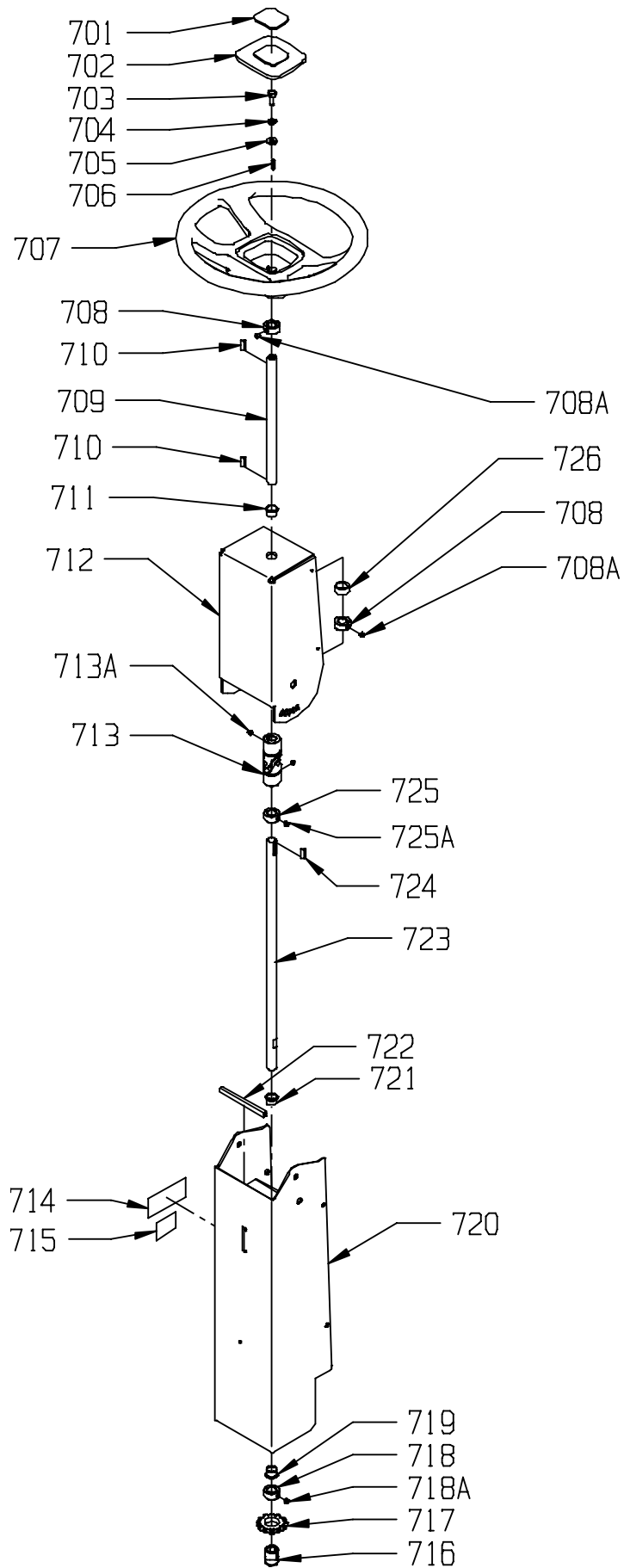
<u>ITEM</u>	<u>PART NO.</u>	<u>DESCRIPTION</u>	<u>QTY.</u>
601	7690601	SEAT - INCLUDES:	1
601A	7691801	SEAT SWITCH, SCREW MOUNT	1
601A	7692601	SEAT SWITCH, TWIST MOUNT	1
602	0690761	BUTTON, PLUG	1
603	9121000	1/4-20 X 5/8 TRUSS HEAD PHILLIPS MACHINE SCREW - PACK OF 5	4
604	3394141	OBC WARNING DECAL	1
605	4890851	CABLE CLAMP	1
606	9120900	1/4-20 HEX NUT WITH NY-LOK INSERT - PACK OF 10	4
607	3392811	BATTERY WARNING DECAL	1
608	9122220	3/8-16 X 3/4 HEX BOLT - PACK OF 5	2
609	9122100	3/8 SPLIT LOCK WASHER - PACK OF 10	2
610	9121400	3/8 I.D. X 7/8 O.D. X .064/.104 THICK WROUGHT WASHER (5/16)-PK-10	2
611	7691081	3/8 STOWAGE CLIP	1
612	7691191	PROP ROD - BATTERY COVER / SEAT PLATE	1
613	9122220	3/8-16 X 3/4 HEX BOLT - PACK OF 5	2
614	9122100	3/8 SPLIT LOCK WASHER - PACK OF 10	2
615	9121400	3/8 I.D. X 7/8 O.D. X .064/.104 THICK WROUGHT WASHER (5/16)-PK-10	2
616	9120370	7/32 I.D. X 1/2 O.D. X .032/.065 THICK FLAT WASHER (#10) - PACK OF 10	1
617	9120817	3/16 X 11/16 DOME HEAD POP RIVET - ALUMINUM - PACK OF 5	1
618	7691911	SOLUTION GAGE	1
619	7691249	FILTER SCREEN ASSEMBLY	1
620	7692373	SOLUTION TANK MOUNTING BRACKET	2
621	7692531	1/4 TURN STUD	2
622	7692701	BATTERY COMPARTMENT CORNER PLATE	1
623	9121600	5/16-18 X 5/8 HEX BOLT - PACK OF 5	1
624	9121400	3/8 I.D. X 7/8 O.D. X .064/.104 THICK WROUGHT WASHER (5/16)-PK-10	2
625	9121450	5/16-18 HEX NUT WITH NY-LOK INSERT - PACK OF 5	1
626	7695203	UPPER MOUNTING BRACKET - RECOVERY TANK	1
627	9121400	3/8 I.D. X 7/8 O.D. X .064/.104 THICK WROUGHT WASHER (5/16)-PK-10	2
628	9122100	3/8 SPLIT LOCK WASHER - PACK OF 10	2
629	9122220	3/8-16 X 3/4 HEX BOLT - PACK OF 5	2
630	7691691	WIRING HARNESS: BATTERIES TO CONTROLLER	1
631	9120910	1/4-20 HEX NUT WITH STARLOCK WASHER - PACK OF 10	2
632	7690051	BATTERY BOX	1
633	2490601	FITTING, ELL 3/8 BARB X 1/4 MNPT	1
634	5092371	CORD CLAMP	1
635	8791070	3/8" I.D. X 1/2" O.D. VINYL HOSE - (CUT TO 18")	1.5'
636	3390661	TUBING CONTROL VALVE	1
637	7692551	1/4 TURN CLIP ON RECEPTACLE	2
638	9121400	3/8 I.D. X 7/8 O.D. X .064/.104 THICK WROUGHT WASHER (5/16)-PK-10	2
639	9122100	3/8 SPLIT LOCK WASHER - PACK OF 10	2
640	9122220	3/8-16 X 3/4 HEX BOLT - PACK OF 5	2
641	7692541	WASHER FOR 1/4 TURN STUD	2
642	7693771	FILTER FITTING 3/4 HOSE BARB AND COLLAR	1
643	7693811	HOSE CLAMP - 9/16" TO 1 1/16"	1
644	7693781	3/4" DIAMETER X 6 1/2" LONG CONVOLUTED HOSE	1
645	7690061	SIDECOVER	1
646	9121000	1/4-20 X 5/8 TRUSS HEAD PHILLIPS MACHINE SCREW - PACK OF 5	4
647	9120950	1/4 I.D. X 1 1/4 O.D. FENDER WASHER - PACK OF 10	4
648	7690011	SOLUTION TANK	1
649	7691013	SOLUTION TANK MOUNTING BRACKET - RIGHT	1
650	9121400	3/8 I.D. X 7/8 O.D. X .064/.104 THICK WROUGHT WASHER (5/16)-PK-10	1
651	9122100	3/8 SPLIT LOCK WASHER - PACK OF 10	1
652	9122220	3/8-16 X 3/4 HEX BOLT - PACK OF 5	1
653	9121980	3/8 FLAT WASHER - PACK OF 10	1
654	9122100	3/8 SPLIT LOCK WASHER - PACK OF 10	1
655	9122220	3/8-16 X 3/4 HEX BOLT - PACK OF 5	1
656	7691091	3/8 EXTERNAL E-RING - PROP ROD	2
657	9121640	5/16-18 X 3/4 HEX BOLT - PACK OF 5	4
658	9121520	5/16 SPLIT LOCK WASHER - PACK OF 10	4
659	9120940	5/16 I.D. X 3/4 O.D. X .051/.080 THICK WROUGHT WASHER (1/4)-PK-10	4
660	7692691	BATTERY COVER / SEAT PLATE	1
661	9120930	9/32 I.D. X 5/8 O.D. X .051/.080 THICK SAE FLAT WASHER (1/4)-PK-10	3
662	9120970	1/4 EXTERNAL STAR LOCK WASHER - PACK OF 10	3
663	9121000	1/4-20 X 5/8 TRUSS HEAD PHILLIPS MACHINE SCREW - PACK OF 5	3
664	9120307	1/8 X 3/16 DOME HEAD POP RIVET - ALUMINUM - PACK OF 5	1

SOLUTION TANK ASSEMBLY



<u>ITEM</u>	<u>PART NO.</u>	<u>DESCRIPTION</u>	<u>QTY.</u>
701	7690931	DECAL - STEERING WHEEL	1
702	7690631	CAP - STEERING WHEEL	1
703	9121640	5/16-18 X 3/4 HEX BOLT	1
704	9121520	5/16 SPLIT LOCK WASHER	1
705	9121985	13/32 I.D. X 1 O.D. X .12 THICK FLAT WASHER (11 GAGE)	1
706	9120827	3/16 SQUARE X 1 LONG KEY - STEEL	1
707	7690611	STEERING WHEEL	1
708	7690661	5/8 SET COLLAR / STEERING SHAFT - INCLUDES:	2
708A	9121380	5/16-18 X 3/8 SET SCREW - KNURL POINT	2
709	7690921	UPPER STEERING SHAFT	1
710	9120827	3/16 SQUARE X 1 LONG KEY - STEEL	2
711	2790761	BEARING, FLANGE FF-71	1
712	7690733	UPPER COLUMN	1
713	7690621	UNIVERSAL JOINT - STEERING - INCLUDES:	1
713A	9121380	5/16-18 X 3/8 SET SCREW - KNURL POINT	2
714	7693071	NAMING IDENTIFICATION LABEL	1
715	5392401	WARNING - FIRE LABEL	1
716	7691311	TRAN - TORQUE KEYLESS BUSHING	1
717	7691321	SPROCKET	1
718	7690661	5/8 SET COLLAR / STEERING SHAFT - INCLUDES:	1
718A	9121380	5/16-18 X 3/8 SET SCREW - KNURL POINT	1
719	2790761	BEARING, FLANGE FF-71	1
720	7692921	STEERING COLUMN - BASE	1
721	2790761	BEARING, FLANGE FF-71	1
722	9997590	METAL CORE QUICKEDGE TRIM (CUT TO 6")	.5'
723	7690911	LOWER STEERING SHAFT	1
724	9120827	3/16 SQUARE X 1 LONG KEY - STEEL	1
725	7690661	5/8 SET COLLAR / STEERING SHAFT - INCLUDES:	1
725A	9121380	5/16-18 X 3/8 SET SCREW - KNURL POINT	1
726	4492921	SPACER	1

INNER STEERING COLUMN ASSEMBLY



ELECTRICAL COMPONENTS

<u>PART NO.</u>	<u>DESCRIPTION</u>	<u>QTY.</u>	<u>PART NO.</u>	<u>DESCRIPTION</u>	<u>QTY.</u>
0693141	RUBBER SWITCH BOOT	4	7691641	EMERGENCY STOP TO KEY SWITCH	1
2391981	BATTERY JUMPER 3/8" RING	5	7691651	CONTROLLER TO LCD	1
2398181	1/4 RING 16-14 GAGE	1	7691671	CONTROLLER TO BRUSH	1
2690551	VAC MOTOR, 36 VOLT	1	7691691	WIRING HARNESS: BATTERIES TO CONTROLLER	1
2792571	CARBON BRUSH - VAC MOTOR	2	7691701	MAIN WIRING HARNESS	1
2690581	1/4 SPADE MALE TERMINAL 10-12	2	7691721	LCD TO SWITCH	1
2694131	POTENTIOMETER	1	7691731	GROUND WIRE	2
2690951	BATTERY, DRY, 6V, 325 AH	6	7691751	WIRE ASSEMBLY HIGH REFERENCE	1
2691501	BATTERY, WET, 6V, 325 AH	6	7691741	BACKUP ALARM WIRE	1
3390411	FORWARD - REVERSE SWITCH	2	7691761	WIRE ASSEMBLY LOW REFERENCE	1
3393521	ACTUATOR, EMERGENCY STOP	1	7691781	WIRE ASSEMBLY - SWITCH TO BRUSHACTUATOR	1
7691301	EMERGENCY STOP BLOCK	1	7692641	AUXILIARY HARNESS - CONTROLER	1
4491101	TOGGLE SWITCH, MOTOR	2	7691801	SEAT SWITCH, SCREW	1
4890791	CIRCUIT BREAKER - 2 AMP	2	7692601	SEAT SWITCH, TWIST MOUNT	1
4990321	FUSE HOLDER W/NUT	1	7692421	TERMINAL BOOT (RED)	3
4991371	FULLY INSULATED MALE TERMINAL	2	7692511	KEY SWITCH WITH KEY	1
6491261	CIRCUIT BREAKER - 90 AMP	1	7692521	REPLACEMENT KEY FOR 7692511	1
6492051	TERMINAL BOOT (BLACK)	4	7695561	CHASSIS DRIVE 300	1
6497531	36V ONBOARD CHARGER - 25 AMP	1	7695271	CARBON BRUSH - DRIVE WHEEL	4
6495701	120V ONBOARD CHARGER CORD	1	7692911	CONTROLLER TO DRIVE MOTOR	1
6495711	240V ONBOARD CHARGER CORD	1	7693011	BRUSH MOTOR	1
6496451	FAST-ACTING FUSE 2 AMP	1	7692041	CARBON BRUSH - BRUSH MOTOR	4
7692621	SOLUTION SOLENOID VALVE	1	7694001	BRUSH SPEED INPUT WIRE	1
7690549	ACTUATOR MOTOR	2	7695211	WIRING ANDERSON TO +/- BATTERY	1
7691201	MACHINE CONTROL SYSTEM	1	7691829	OVERHEAD LIGHT KIT	1
7691211	LCD MODULE	1	7691821	OVERHEAD LIGHT	1
7691221	BACK UP ALARM	1	9123000	11" LONG WIRE TIE - PACK OF 5	1
7691621	CIRCUIT BREAKER	1	9123005	1/8 X 5 1/2 WIRE TIE - PACK OF 5	5
7691631	PUSH BUTTON SWITCH	2			

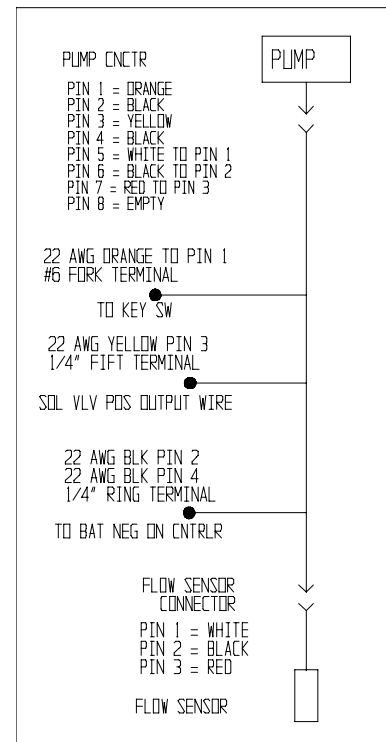
P3 INPUT / OUTPUT CONTROL CONNECTIONS

PIN NO.	PIN NO.
1	11 VACUUM MODE INPUT
2	12 BRUSH MODE INPUT
3 TRACTION SPEED INPUT	13
4	14 INHIBIT INPUT
5	15
6	16 HIGH SWITCH REF 5V
7 HORN OUTPUT	17 ALARM OUTPUT
8 ON / OFF REF (B+)	18 ON / OFF INPUT
9 THROTTLE LD. REF	19 LOW SWITCH REF OV
10 THROTTLE WIPER	20 THROTTLE HI REF

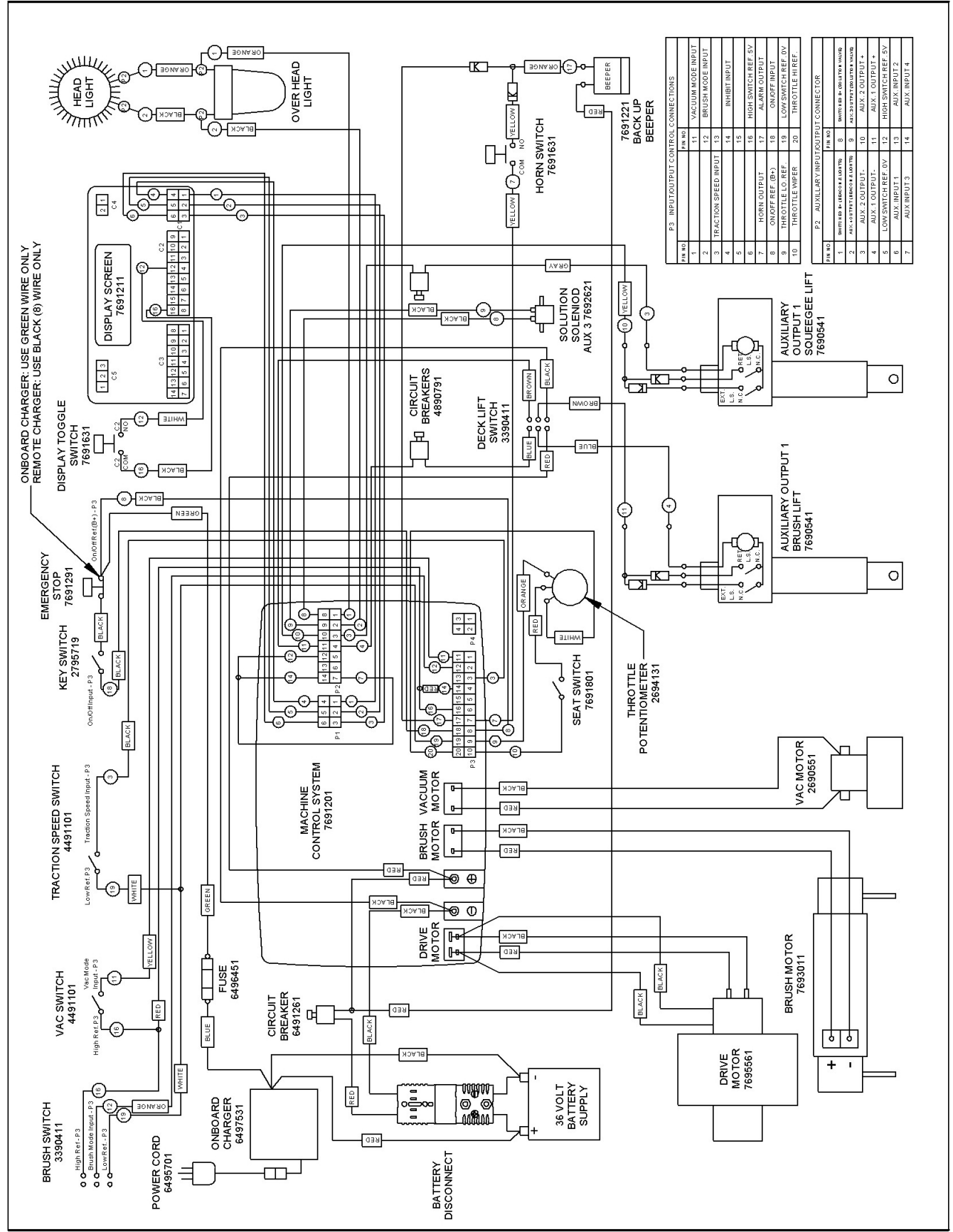
P2 AUXILLARY INPUT / OUTPUT CONNECTOR

PIN NO.	PIN NO.
1 SWITCH B+ (BEACON & LIGHTS)	8 SWITCHED B+ (SOLUTION VALVE)
2 AUX 4 OUTPUT (BEACON & LIGHTS)	9 AUX 3 OUTPUT (SOLUTION VALVE)
3 AUX 2 OUTPUT -	10 AUX 2 OUTPUT +
4 AUX 1 OUTPUT -	11 AUX 1 OUTPUT +
5 LOW SWITCH REF OV	12 HIGH SWITCH REF 5V
6 AUX INPUT 1	13 AUX INPUT 2
7 AUX INPUT 3	14 AUX INPUT 4

Optional Sidekick Wiring Diagram



WIRING DIAGRAM



P3 INPUT/OUTPUT CONTROL CONNECTIONS

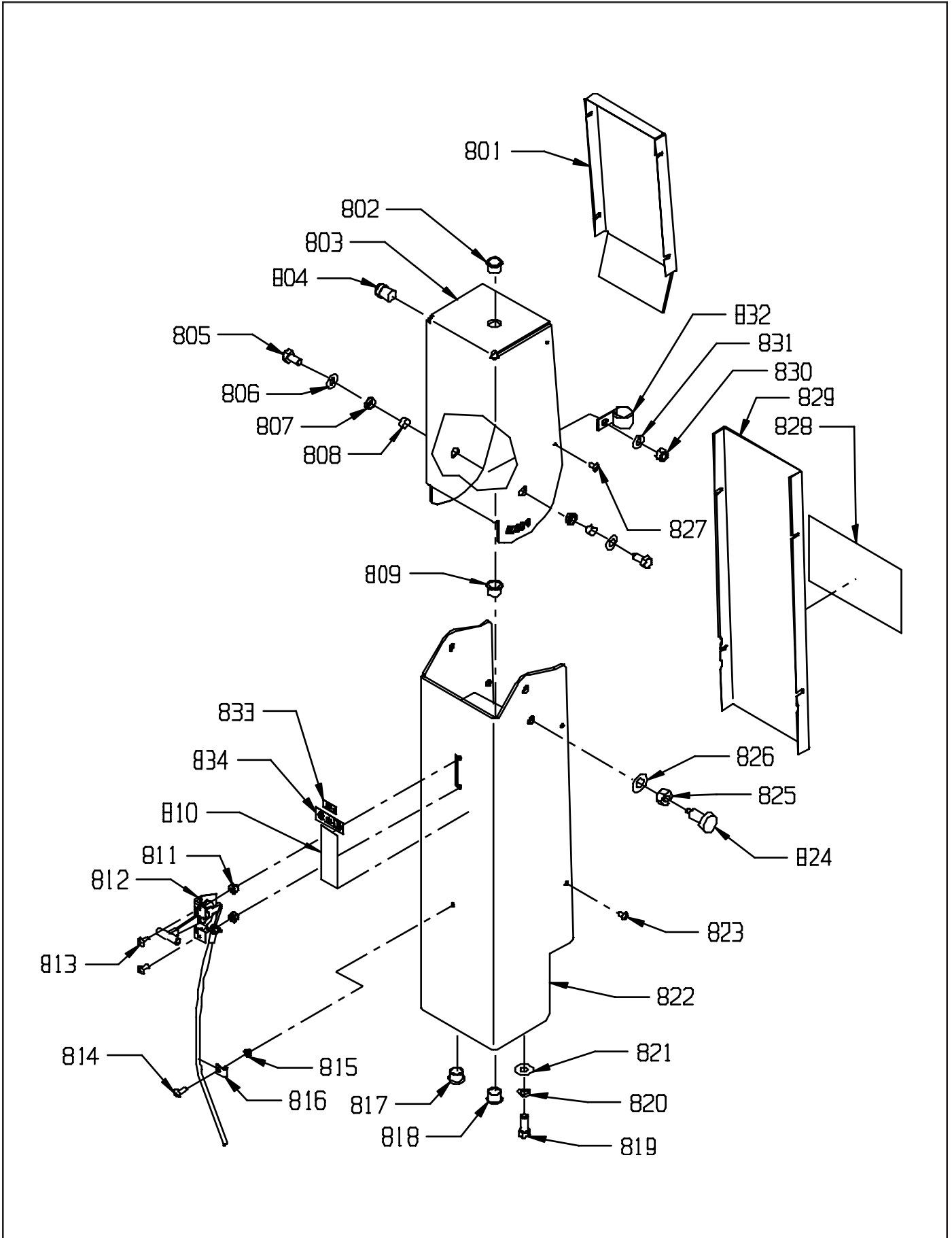
Pin No.	Pin No.
1	11 VACUUM MODE INPUT
2	12 BRUSH MODE INPUT
3	13 TRACTION SPEED INPUT
4	14 INHIBIT INPUT
5	15 HIGH SWITCH REF. SV
6	16 HORN OUTPUT
7	17 ALUX. 2 OUTPUT
8	18 CLOSURE REF. SV
9	19 THROTTLE L. REF.
10	20 THROTTLE UPPER

P2 AUXILIARY INPUT/OUTPUT CONNECTOR

Pin No.	Pin No.
1	8
2	9
3	10
4	11
5	12
6	13
7	14

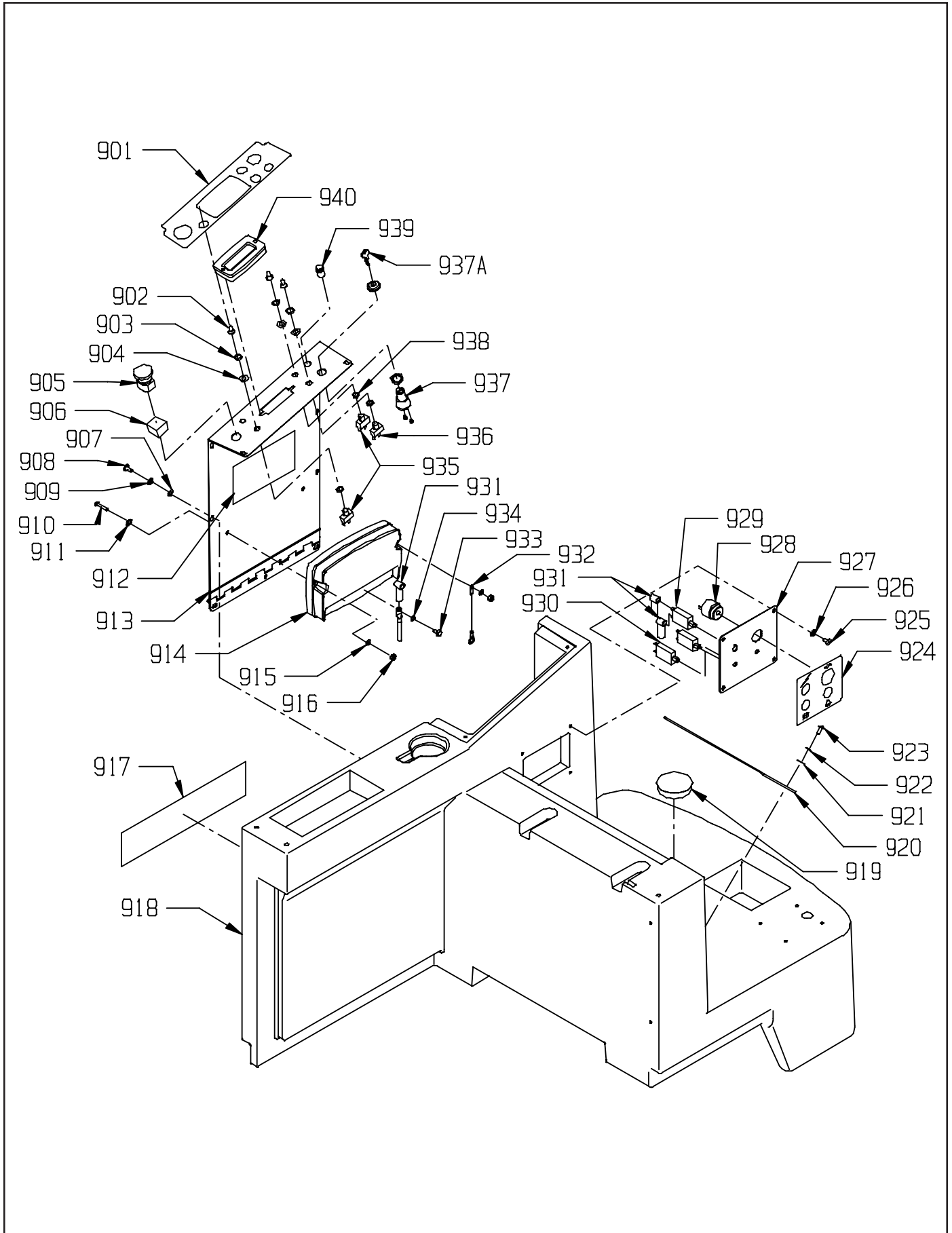
<u>ITEM</u>	<u>PART NO.</u>	<u>DESCRIPTION</u>	<u>QTY.</u>
801	7690743	TILT COLUMN COVER	1
802	2790761	BEARING, FLANGE FF-71	1
803	7690733	UPPER COLUMN	1
804	7691631	PUSH BUTTON SWITCH	1
805	9122300	3/8-16 X 1 1/4 HEX BOLT - PACK OF 2	2
806	9121400	3/8 I.D. X 7/8 O.D. X .064/.104 THICK WROUGHT WASHER (5/16) - PACK OF 10	2
807	7690691	NYLINER - STEERING TILT	2
808	2691181	PIVOT SPACER, STABILIZER BAR	2
809	2790761	BEARING, FLANGE FF-71	1
810	7692301	BLACK AND WHITE MINI KIT	1
811	9120360	10-24 HEX NUT WITH STAR LOCK WASHER - PACK OF 10	2
812	7691051	SOLUTION LEVER AND CABLE ASSEMBLY	1
813	9120420	10-24 X 5/8 ROUND HEAD PHILLIPS MACHINE SCREW - PACK OF 10	2
814	9120420	10-24 X 5/8 ROUND HEAD PHILLIPS MACHINE SCREW - PACK OF 10	1
815	9120360	10-24 HEX NUT WITH STAR LOCK WASHER	1
816	5294201	NYLON CABLE CLAMP	1
817	4890451	BUSHING, SNAP IN, #SB87511 HEYCO	1
818	2790761	BEARING, FLANGE FF-71	1
819	9122260	3/8-16 X 1 HEX BOLT - PACK OF 2	4
820	9122100	3/8 SPLIT LOCK WASHER - PACK OF 10	4
821	9121400	3/8 I.D. X 7/8 O.D. X .064/.104 THICK WROUGHT WASHER (5/16) - PACK OF 10	4
822	7692921	STEERING COLUMN - BASE	1
823	9120500	10-24 X 3/8 TRUSS HEAD PHILLIPS MACHINE SCREW - PACK OF 10	4
824	7690701	RETRACTABLE PLUNGER - TILT STEERING	1
825	9122680	1/2-13 HEX JAM NUT - PACK OF 1	1
826	9122450	17/32 I.D. X 1 1/16 O.D. X .074/.121 THICK SAE FLAT WASHER (1/2) - PACK OF 5	1
827	9120500	10-24 X 3/8 TRUSS HEAD PHILLIPS MACHINE SCREW - PACK OF 10	4
828	0393531	NSS LOGO DECAL 3.5 X 4.0	1
829	7690723	COVER - BASE	1
830	9122140	3/8-16 HEX NUT WITH NY-LOCK INSERT - PACK OF 5	2
831	9121400	3/8 I.D. X 7/8 O.D. X .064/.104 THICK WROUGHT WASHER (5/16) - PACK OF 10	2
832	2395761	CLAMP, TUBE	1
833	3394561	LABEL, MAX INCLINE	1
834	3394731	LABEL, MAX CLIMBING INCLINE	1

STEERING COLUMN ASSEMBLY



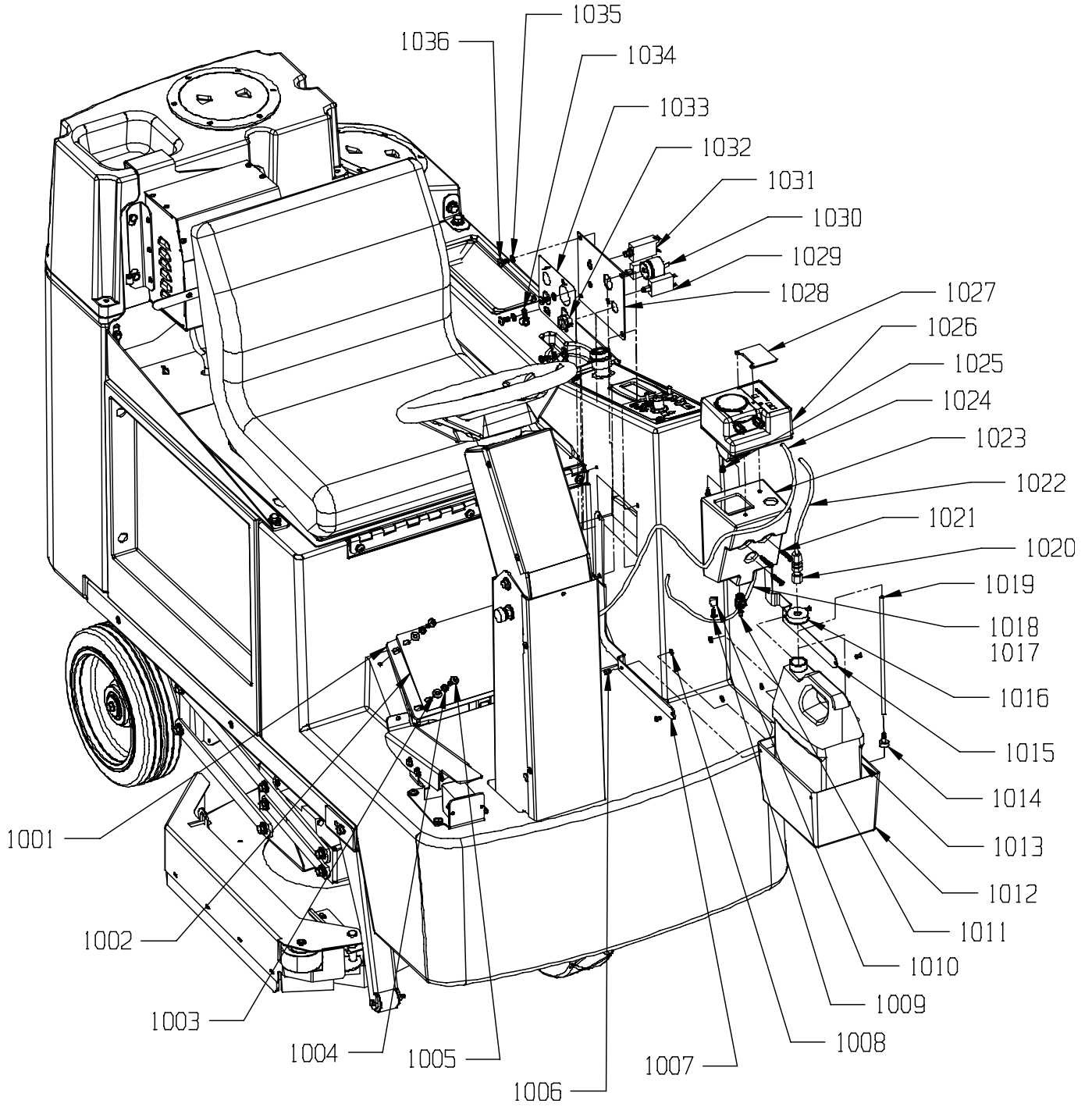
ITEM	PART NO.	DESCRIPTION	QTY.
901	7691811	ELECTRICAL PANEL DECAL (WITH TRACTION SPEED SWITCH)	1
902	0693141	RUBBER SWITCH BOOT	3
903	0691851	1/2" INTERNAL STAR LOCK WASHER	3
904	9122465	.516 I.D. X .813 O.D. X .027/.030 THICK FLAT WASHER	3
905	3393549	EMERGENCY STOP KIT	1
906	7691301	EMERGENCY STOP BLOCK	1
907	9120930	9/32 I.D. X 5/8 O.D. X .051/.080 THICK SAE FLAT WASHER (1/4) - PACK OF 10	7
908	9121000	1/4-20 X 5/8 TRUSS HEAD PHILLIPS MACHINE SCREW - PACK OF 5	7
909	9120970	1/4 EXTERNAL STAR LOCK WASHER - PACK OF 10	7
910	9120460	10-24 X 1 1/4 ROUND HEAD PHILLIPS MACHINE SCREW - PACK OF 5	2
911	9120330	#10 EXTERNAL STAR LOCK WASHER - PACK OF 10	2
912	7692931	2929 WIRING DIAGRAM DECAL	1
913	7694333	ELECTRICAL PANEL	1
914	7691201	MACHINE CONTROL SYSTEM	1
915	9120370	7/32 I.D. X 1/2 O.D. X .032/.065 THICK SAE FLAT WASHER (#10) - PACK OF 10	2
916	9120350	10-24 HEX NUT WITH NY-LOK INSERT - PACK OF 10	2
917	7692561	NSS LOGO DECAL - 3.5 X 20	1
918	7690011	SOLUTION TANK	1
919	6490791	PLUG 3"	1
920	7690123	ACTUATOR COVER PANEL	1
921	9120930	9/32 I.D. X 5/8 O.D. X .051/.080 THICK SAE FLAT WASHER (1/4) - PACK OF 10	4
922	9120970	1/4 EXTERNAL STAR LOCK WASHER - PACK OF 10	4
923	9121000	1/4-20 X 5/8 TRUSS HEAD PHILLIPS MACHINE SCREW - PACK OF 5	4
924	7692301	BLACK AND WHITE MINI KIT	1
925	9121000	1/4-20 X 5/8 TRUSS HEAD PHILLIPS MACHINE SCREW - PACK OF 10	4
926	9120970	1/4 EXTERNAL STAR LOCK WASHER - PACK OF 10	4
927	7692781	PANEL - CIRCUIT BREAKER	1
928	7691221	BACK UP ALARM	1
929	6491261	CIRCUIT BREAKER - 90 AMP	1
930	4890791	CIRCUIT BREAKER - 2 AMP	2
931	7692421	TERMINAL BOOT	3
932	7691731	GROUND WIRE	1
933	9120835	M6 X 12.7 HEX HEAD BOLT - PACK OF 2	2
934	9120970	1/4 EXTERNAL STAR LOCK WASHER - PACK OF 10	2
935	3390411	FORWARD - REVERSE SWITCH - INCLUDES:	2
936	4491101	TOGGLE SWITCH, MOTOR - INCLUDES:	1
937	7692511	KEY SWITCH WITH KEY	1
937A	7692521	REPLACEMENT KEY FOR 7692511	1
938	0798821	5/8 HEX NUT (LARGE NUT)	3
939	7691631	PUSH BUTTON SWITCH	1
940	7691211	LCD MODULE	1

STANDARD ELECTRICAL PANEL ASSEMBLY



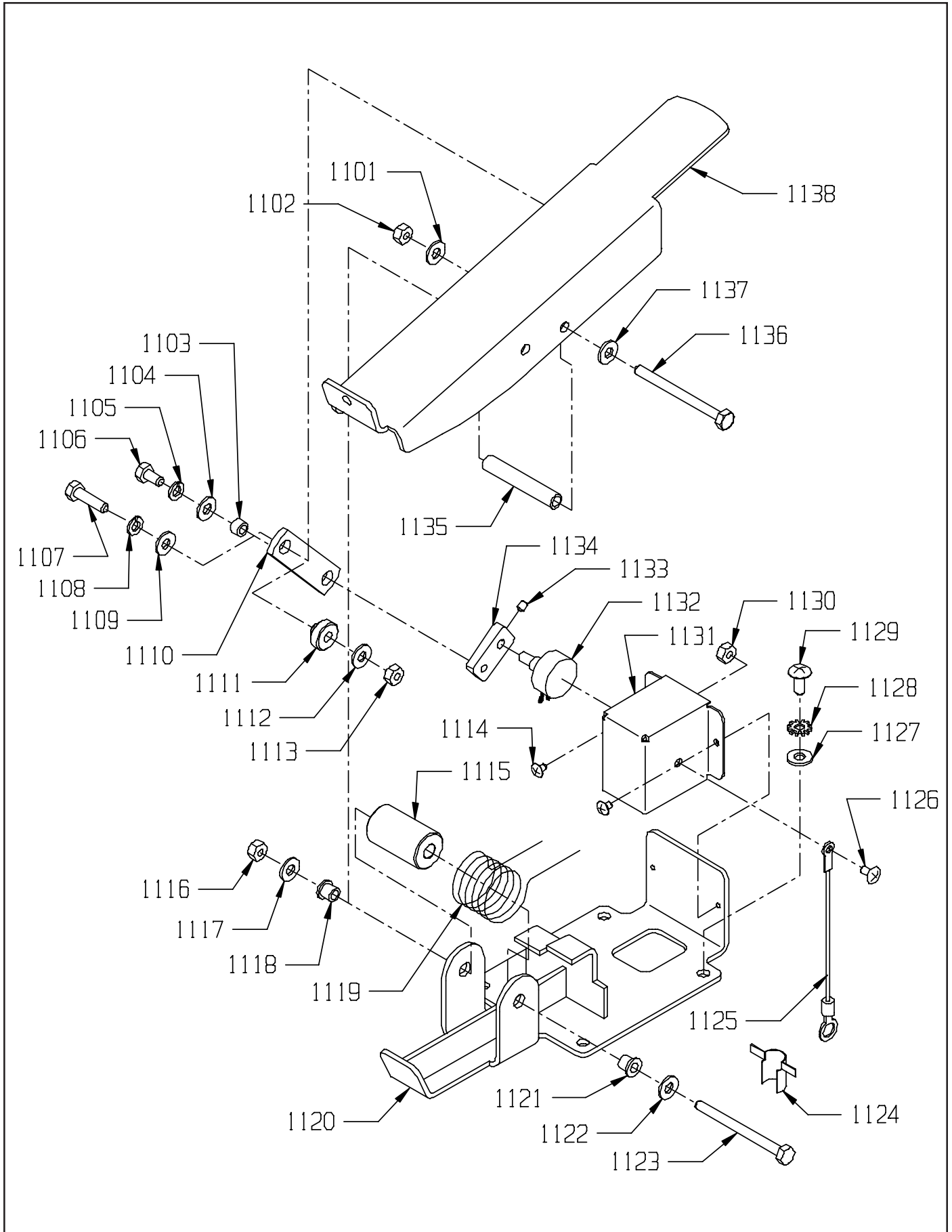
<u>ITEM</u>	<u>PART NO.</u>	<u>DESCRIPTION</u>	<u>QTY.</u>
1001	7692851	ACTUATOR COVER GASKET (SIDEKICK ONLY)	1
1002	7690123	ACTUATOR COVER PANEL	1
1003	9120930	9/32 I.D. X 5/8 O.D. X .051/.080 THICK SAE FLAT WASHER (1/4) - PACK OF 10	4
1004	9120970	1/4 EXTERNAL STAR LOCK WASHER - PACK OF 10	4
1005	9121020	1/4-20 X 1" TRUSS HEAD PHILLIPS MACHINE SCREW - PACK OF 5	4
1006	9120319	5/32 X 3/8 POP RIVET - PACK OF 5 (SIDEKICK ONLY)	4
1007	7692891	INNER BOTTLE HOLDER STRAP (SIDEKICK ONLY)	1
1008	9120185	5/32 ID BACKUP WASHER - PACK OF 6 (SIDEKICK ONLY)	4
1009	9120790	#10 X 5/8 PAN HEAD PHILLIPS SHEETMETAL SCREW - PACK OF 10 (SK ONLY)	1
1010	6793651	CABLE CLAMP (SIDEKICK ONLY)	1
1011	2693991	1/4 BARB X 1/4 NPT BULKHEAD FITTING (SIDEKICK ONLY)	1
1012	7692871	BOTTLE HOLDER (SIDEKICK ONLY)	1
1013	9590171	F-STYLE BOTTLE (OPTIONAL) (SIDEKICK ONLY)	1
1014	9590291	SUCTION STRAINER (SIDEKICK ONLY)	1
1015	7692881	OUTER BOTTLE HOLDER STRAP (SIDEKICK ONLY)	1
1016	9590271	38mm BOTTLE CAP (SIDEKICK ONLY)	1
1017	7693241	STRAIN RELIEF (SIDEKICK ONLY)	1
1018	7692861	SIDEKICK CABLE (SIDEKICK ONLY)	1
1019	9590321	1/4 OD NYLON TUBING - CUT TO LENGTH AS REQ'D (SIDEKICK ONLY)	1
1020	9590281	1/4 JACO BULKHEAD FITTING	1
1021	9120793	#10 X 1 1/2 PAN HEAD PHILLIPS SHEETMETAL SCREW (SK ONLY)	3
1022	9590321	1/4 OD NYLON TUBING X 12" LONG (SIDEKICK ONLY)	1
1023	7692791	SIDEKICK PUMP MOUNT (SIDEKICK ONLY)	1
1024	9590321	1/4 OD NYLON TUBING X 65" LONG (SIDEKICK ONLY)	1
1025	9120810	#10 X 1/2 PAN HEAD PHILLIPS SHEETMETAL SCREW - PACK OF 10 (SK ONLY)	2
1026	9590101	KIT, SIDEKICK CHEMICAL METERING	1
	9590211	REPLACEMENT CONTROL BOARD	1
	9590121	REPLACEMENT PUMP TOP HOUSING	1
	9590131	REPLACEMENT PUMP BOTTOM HOUSING	1
	9590311	REPLACEMENT SPINNER ASSY	1
	9590141	REPLACEMENT SQUEEZE TUBE WITH FITTINGS	1
	9590151	REPLACEMENT SQUEEZE TUBE COVER	1
1014	9590291	SUCTION STRAINER	1
1027	9590189	KIT, CONTROL COVER-SIDEKICK - OPTIONAL; INCLUDES	1
	3394261	DILUTION CONTROL COVER	1
	9590191	#6 X 1/2 TAMPERPROOF SCREW	2
	9590201	TAMPERPROOF SCREW TOOL	1
1028	7692781	CIRCUIT BREAK PANEL	1
1029	4890791	CIRCUIT BREAKER - 2 AMP	2
1030	7691221	BACK UP ALARM	1
1031	6491261	CIRCUIT BREAKER - 90 AMP	1
1032	7693241	STRAIN RELIEF (SIDEKICK ONLY)	1
1033	7692301	BLACK AND WHITE MINI KIT	1
1034	3291111	CORD CLAMP (SIDEKICK ONLY)	2
1035	9120970	1/4 EXTERNAL STAR LOCK WASHER - PACK OF 10	4
1036	9121000	1/4-20 X 5/8 TRUSS HEAD PHILLIPS MACHINE SCREW - PACK OF 10	4

SIDEKICK & ELECTRICAL PANEL ASSEMBLY



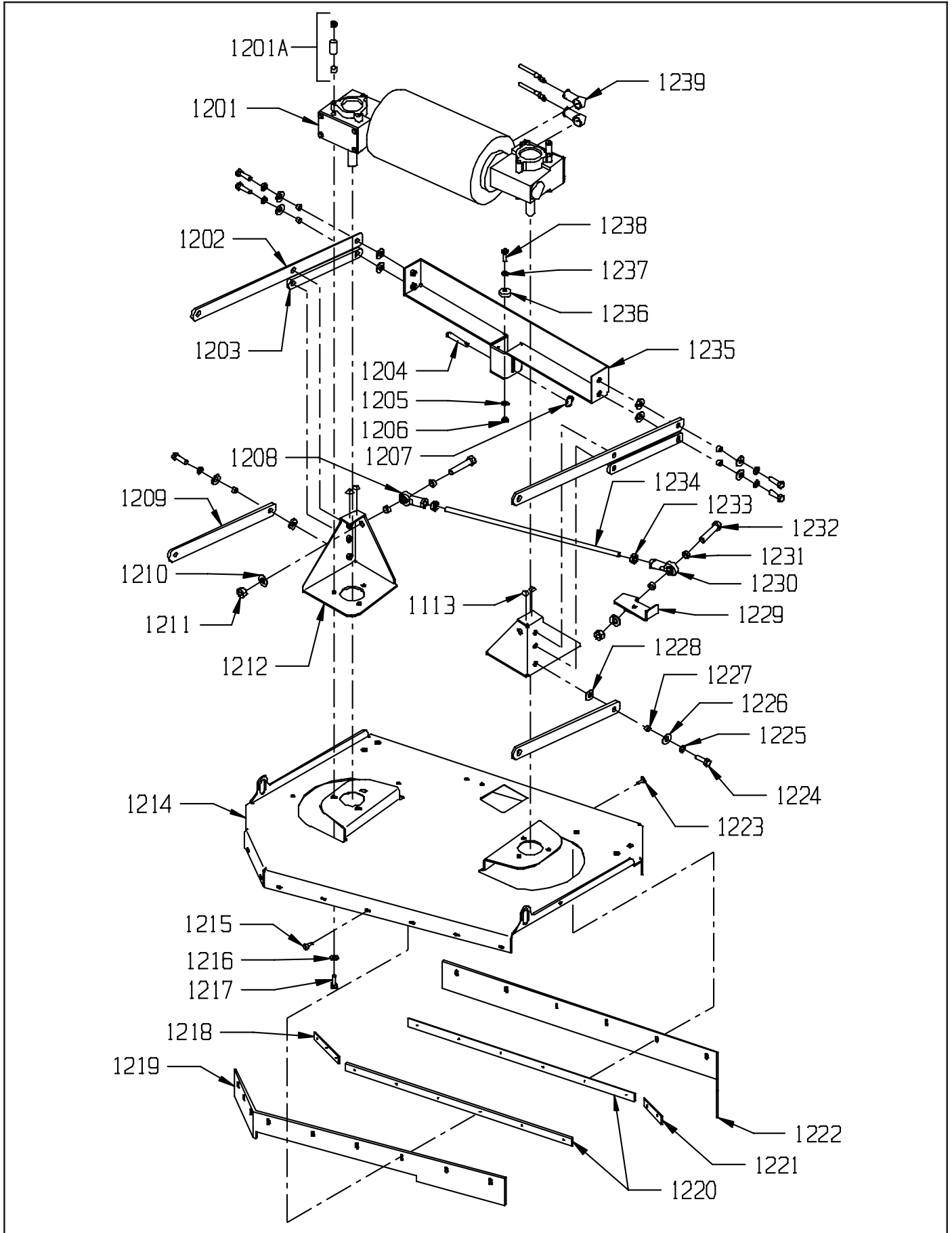
<u>ITEM</u>	<u>PART NO.</u>	<u>DESCRIPTION</u>	<u>QTY.</u>
1101	9120930	9/32 I.D. X 5/8 O.D. X .051/.080 THICK SAE FLAT WASHER (1/4) - PACK OF 10	1
1102	9120900	1/4-20 HEX NUT WITH NY-LOK INSERT - PACK OF 10	1
1103	2791281	BUSHING SPACER	1
1104	9120930	9/32 I.D. X 5/8 O.D. X .051/.080 THICK SAE FLAT WASHER (1/4) - PACK OF 10	1
1105	9120880	1/4 SPLIT LOCK WASHER - PACK OF 10	1
1106	9121210	1/4-20 X 5/8 HEX BOLT - PACK OF 10	1
1107	9121060	1/4-20 X 1 1/4 HEX BOLT - PACK OF 5	1
1108	9120880	1/4 SPLIT LOCK WASHER - PACK OF 10	1
1109	9120930	9/32 I.D. X 5/8 O.D. X .051/.080 THICK SAE FLAT WASHER (1/4) - PACK OF 10	1
1110	7690891	ACCELERATOR PEDAL ARM	1
1111	2691771	PIN, SKIRT LATCH	1
1112	9120930	9/32 I.D. X 5/8 O.D. X .051/.080 THICK SAE FLAT WASHER (1/4) - PACK OF 10	1
1113	9120900	1/4-20 HEX NUT WITH NY-LOK INSERT - PACK OF 10	1
1114	9120210	8-32 X 1/4 TRUSS HEAD PHILLIPS MACHINE SCREW - PACK OF 10	2
1115	7690811	GUIDE	1
1116	9120900	1/4-20 HEX NUT WITH NY-LOK INSERT - PACK OF 10	1
1117	9120930	9/32 I.D. X 5/8 O.D. X .051/.080 THICK SAE FLAT WASHER (1/4) - PACK OF 10	1
1118	7690801	1/4 I.D. X 3/8 O.D. X 3/8 LONG FLANGE BEARING - THROTTLE PEDAL	1
1119	7690821	TORSION SPRING - ACCELERATOR PEDAL	1
1120	7691961	PIVOT BRACKET - ACCELERATOR	1
1121	7690801	1/4 I.D. X 3/8 O.D. X 3/8 LONG FLANGE BEARING - THROTTLE PEDAL	1
1122	9120930	9/32 I.D. X 5/8 O.D. X .051/.080 THICK SAE FLAT WASHER (1/4) - PACK OF 10	1
1123	9121350	1/4-20 X 3 HEX HEAD BOLT - PACK OF 3	1
1124	5095501	CORD CLAMP	1
1125	7691731	GROUND WIRE	1
1126	9120500	10-24 X 3/8 TRUSS HEAD PHILLIPS MACHINE SCREW - PACK OF 10	1
1127	9120930	9/32 I.D. X 5/8 O.D. X .051/.080 THICK SAE FLAT WASHER (1/4) - PACK OF 10	4
1128	9120970	1/4 EXTERNAL STAR LOCK WASHER - PACK OF 10	4
1129	9121000	1/4-20 X 5/8 TRUSS HEAD PHILLIPS MACHINE SCREW - PACK OF 5	1
1130	9120350	10-24 HEX NUT WITH NY-LOK INSERT - PACK OF 10	1
1131	7690851	COVER - POTENTIOMETER	1
1132	2694131	POTENTIOMETER - CURTIS SPEED CONTROL	1
1133	9120225	8-32 X 1/4 SET SCREW - KNUURL POINT - ALLOY - PACK OF 10	1
1134	7690881	POTENTIOMETER ARM	1
1135	7691951	ACCELERATOR SPRING SPACER	1
1136	9121350	1/4-20 X 3 HEX HEAD BOLT - PACK OF 3	1
1137	9120930	9/32 I.D. X 5/8 O.D. X .051/.080 THICK SAE FLAT WASHER (1/4) - PACK OF 10	1
1138	7690833	PEDAL - ACCELERATOR	1

ACCELERATOR PEDAL ASSEMBLY



ITEM	PART NO.	DESCRIPTION	QTY.
1201	7693011	BRUSH MOTOR - INCLUDES:	1
	7691841	BRUSH MOTOR GEAR BOX	2
	7692041	REPLACEMENT CARBON BRUSH - BRUSH MOTOR	4
1201A	7691771	BRUSH MOTOR BREATHER ASSEMBLY	2
1202	7693611	MAIN LIFT BAR	2
1203	7693631	FRONT STABILIZER BAR	2
1204	7690311	3/8" DIAMETER X 2.505" LONG CLEVIS PIN	1
1205	9120930	9/32 I.D. X 5/8 O.D. X .051/.080 THICK SAE FLAT WASHER (1/4) - PACK OF 10	1
1206	9120900	1/4-20 HEX NUT WITH NY-LOK INSERT - PACK OF 10	1
1207	2392561	CIRCLE COTTER	1
1208	2391941	BALL JOINT	1
1209	7693621	REAR STABILIZER BAR	2
1210	9122400	1/2 I.D. X 1 3/32 O.D. X .074/.121 THICK FLAT WASHER (7/16) - PACK OF 10	2
1211	9122495	1/2-13 HEX NUT WITH NY-LOK INSERT - THIN - PACK OF 1	2
1212	7693031	BRUSH MOTOR MOUNT	2
1213	2392261	BUMPER BUTTON	4
1214	7693023	BRUSH MOTOR PLATE	1
1215	9120510	10-24 X 1/2 TRUSS HEAD PHILLIPS MACHINE SCREW - PACK OF 10	8
1216	9121520	5/16 SPLIT LOCK WASHER - PACK OF 10	6
1217	9122260	3/8-16 X 1 HEX BOLT - PACK OF 2	6
1218	1392981	INSIDE SPLASH GUARD STRAP	1
1219	7693061	REAR SKIRT RUBBER	1
1220	7693041	SKIRT RUBBER SECURING STRAP	2
1221	1392961	INSIDE SPLASH GUARD STRAP	1
1222	7693051	FRONT SKIRT RUBBER	1
1223	9120510	10-24 X 1/2 TRUSS HEAD PHILLIPS MACHINE SCREW - PACK OF 10	8
1224	9122300	3/8-16 X 1 1/4 HEX BOLT - PACK OF 2	14
1225	9122100	3/8 SPLIT LOCK WASHER - PACK OF 10	14
1226	9121400	3/8 I.D. X 7/8 O.D. X .064/.104 THICK WROUGHT WASHER (5/16) - PACK OF 10	14
1227	2691181	PIVIOT SPACER, STABILIZER BAR	14
1228	9121400	3/8 I.D. X 7/8 O.D. X .064/.104 THICK WROUGHT WASHER (5/16) - PACK OF 10	14
1229	7693911	PANHARD ROD MOUNT	1
1230	2391941	BALL JOINT	1
1231	2391461	BUSHING	4
1232	9122580	1/2-13 X 2 HEX BOLT - PACK OF 1	2
1233	9122670	1/2-20 HEX JAM NUT - PACK OF 5	2
1234	7693921	PANHARD ROD	1
1235	7693743	FRONT LIFT BAR	1
1236	7691361	ACTUATOR SPRING GUIDE	1
1237	9120930	9/32 I.D. X 5/8 O.D. X .051/.080 THICK SAE FLAT WASHER (1/4) - PACK OF 10	1
1238	9121270	1/4-20 X 1 HEX BOLT - PACK OF 10	1
1239	6492051	STUD TERMINAL BOOT - RUBBER	2

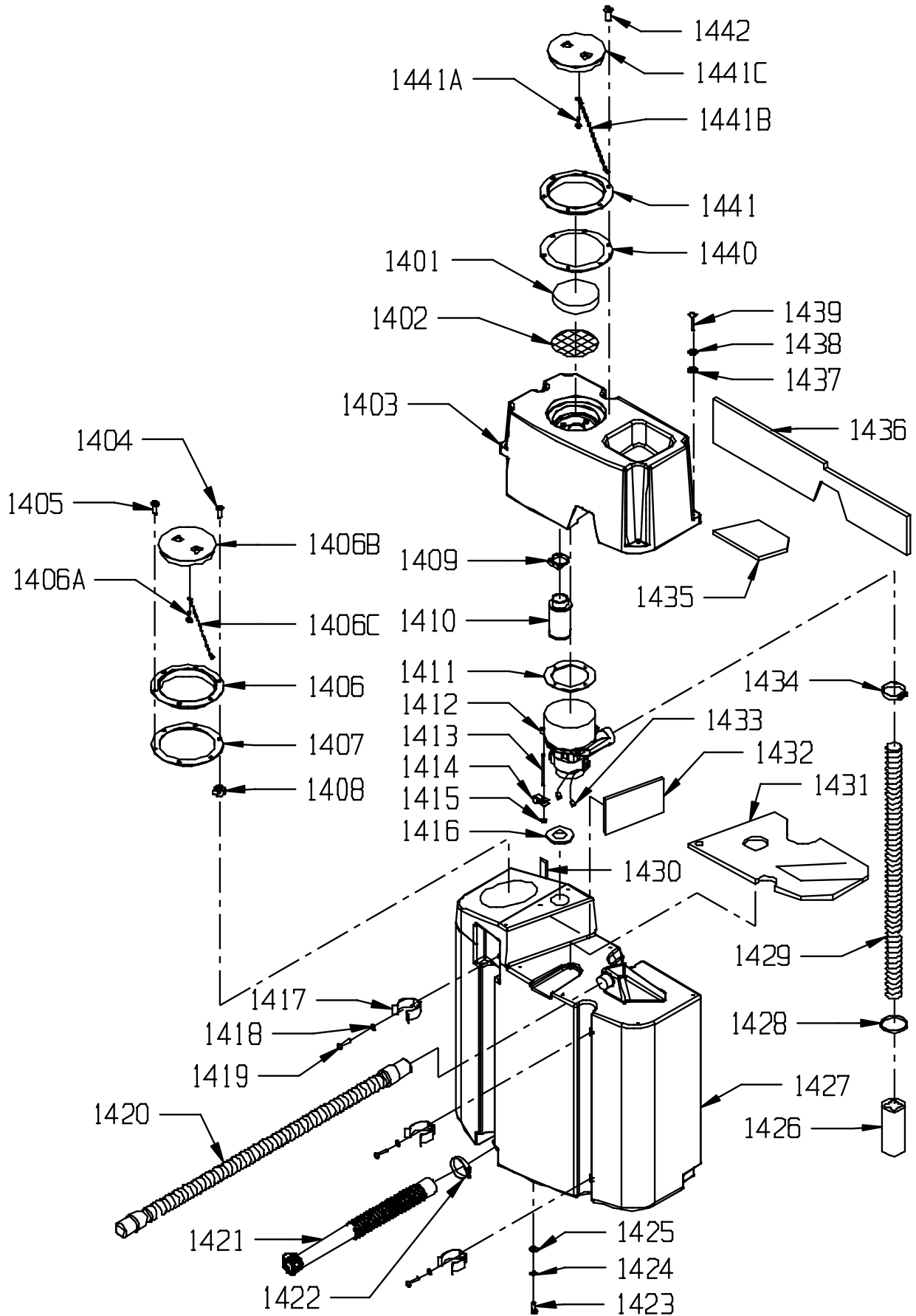
UPPER BRUSH DRIVE ASSEMBLY



ITEM	PART NO.	DESCRIPTION	QTY.
1301	8791180	HOSE - VINYL 1/2" I.D. X 3/4" O.D.(CUT TO 18")	1.5
	8791180	HOSE - VINYL 1/2" I.D. X 3/4" O.D. (CUT TO 2 1/2") (SIDEKICK ONLY)	.2
1302	8791180	HOSE - VINYL 1/2" I.D. X 3/4" O.D. (CUT TO 2 ")	.2
1303	7691371	TEE - 3/8 X 3/8 X 1/2	1
1304	8791070	HOSE - VINYL 3/8" I.D. X 1/2" O.D. (CUT TO 6")	.5
1305	5092630	90 DEGREE SOLUTION FEED TUBE	2
1306	7690481	SKIRT MOUNT BRACKET - LEFT HAND	1
1307	9122685	1/2 X 2 7/8 CLEVIS PIN	1
1308	9122496	RETAINING RING - PACK OF 8	1
1309	2790281	BUMPER WHEEL	1
1310	7693683	LEFT SIDE SKIRT	1
1311	9120510	10-24 X 1/2 TRUSS HEAD PHILLIPS MACHINE SCREW - PACK OF 10	6
1312	7690941	BUMPER WHEEL AXLE	1
1313	7693691	LEFT SIDE SKIRT BLADE	1
1314	7693701	LEFT SIDE SKIRT STRAP	1
1315	7690491	#6 HAIR COTTER PIN	2
1316	7693023	BRUSH MOTOR PLATE	1
1317	5092641	RETAINING RING	2
1318	9120827	3/6" SQUARE X 1" LONG KEY - PACK OF 2	2
1319	7691449	LEFT DRIVE CASTING ASSEMBLY - INCLUDES:	1
	7691459	RIGHT DRIVE CASTING ASSEMBLY - INCLUDES:	1
	2698072	DRIVE CASTING	1
1319A	2698081	DRIVE LUG	6
1319B	9121090	1/4-20 X 1/2 TRUSS HEAD PHILLIPS MACHINE SCREW - PACK OF 5	1
1319C	2791281	BUSHING SPACER	1
1319D	2790211	DRIVE PLATE LATCH	1
1319E	9122120	3/8 I.D. X 5/8 O.D. X .031 THICK WAVE SPRING WASHER - PACK OF 5	1
1319F	9121520	5/16 SPLIT LOCK WASHER - PACK OF 10	6
1319G	9121680	5/16-18 X 1 HEX BOLT - PACK OF 5	6
1319H	2698061	RUBBER MOUNT	1
1319I	7691382	DRIVE HUB	1
1320	-----	PAD - SEE ACCESSORIESS PAGE FOR TYPES	2
1321	3390891	PAD DRIVER 17" - INCLUDES:	2
1321C	2795241	PAD HOLDER ASSEMBLY - INCLUDES:	1
1321A	2795231	SPLIT RETAINER - PAD HOLDER RING	1
1321B	9120140	#6 X 5/8 PAN HEAD PHILLIPS SHEET METAL SCREW	3
1321	-----	SCRUB BRUSH - SEE ACCESSORIESS PAGE FOR TYPES (REPLACES PAD AND PAD DRIVER)	2
1322	9121680	5/16-18 X 1 HEX BOLT - PACK OF 5	2
1323	9121520	5/16 SPLIT LOCK WASHER - PACK OF 10	2
1324	9121985	13/32 I.D. X 1 O.D. X .12 THICK FLAT WASHER (11 GAGE) - PACK OF 1	2
1325	9120510	10-24 X 1/2 TRUSS HEAD PHILLIPS MACHINE SCREW - PACK OF 10	6
1326	1392961	INSIDE SPLASH GUARD STRAP	2
1327	7694021	SIDE SKIRT FRONT BLADE	2
1328	7690941	BUMPER WHEEL AXLE	1
1329	9120510	10-24 X 1/2 TRUSS HEAD PHILLIPS MACHINE SCREW - PACK OF 10	4
1330	7690491	#6 HAIR COTTER PIN	2
1331	2790281	BUMPER WHEEL	1
1332	7693653	RIGHT SIDE SKIRT	1
1333	9122496	RETAINING RING - PACK OF 8	1
1334	9122685	1/2 X 2 7/8 CLEVIS PIN	1
1335	7693661	RIGHT SIDE SKIRT BLADE	1
1336	7693671	RIGHT SIDE SKIRT STRAP	1
1337	7691331	LANYARD	2
1338	9120320	#10 SPLIT LOCK WASHER - PACK OF 10	2
1339	9120380	10-24 X 3/8 ROUND HEAD PHILLIPS MACHINE SCREW - PACK OF 10	2
1340	7690471	SKIRT MOUNT BRACKET - RIGHT HAND	1
1341	9122100	3/8 SPLIT LOCK WASHER - PACK OF 10	4
1342	9122220	3/8-16 X 3/4 HEX BOLT - PACK OF 5	4
1343	8791070	HOSE - VINYL 3/8" I.D. X 1/2" O.D. (CUT TO 12")	1
1344	7692621	SOLUTION SOLENOID VALVE	1
1345	9120930	9/32 I.D. X 5/8 O.D. X .051/.080 THICK SAE FLAT WASHER (1/4) - PACK OF 10	1
1346	9120970	1/4 EXTERNAL STAR LOCK WASHER - PACK OF 10	2
1347	9121090	1/4-20 X 1/2 TRUSS HEAD PHILLIPS MACHINE SCREW - PACK OF 5	2
1350	9590161	FITTING TEE (SIDEKICK ONLY)	1
1351	9590321	TUBING, 1/4" O.D. NYLON (65" LONG) (SIDEKICK ONLY)	1
1352	9590221	FITTING, JACO, 1/4" NPT X 1/4" O.D. TUBE (SIDEKICK ONLY)	1
1353	8791180	HOSE - VINYL 1/2" I.D. X 3/4" O.D. (CUT TO 2 ") (SIDEKICK ONLY)	.2
1354	3394281	FITTING, 3/8" FPT X 1/2" O.D. HOSE (SIDEKICK ONLY)	1
1355	8791180	HOSE - VINYL 1/2" I.D. X 3/4" O.D.(CUT TO 8 3/8") (SIDEKICK ONLY)	.7
1356	3394251	FLOW SENSOR WITH CONNECTOR (SIDEKICK ONLY) - INCLUDES:	1
	3394291	CONNECTOR, FEMALE (SIDEKICK ONLY)	1
	3394311	TERMINAL, FEMALE (SIDEKICK ONLY)	3
1357	7692841	FITTING, 90° ELBOW, 3/8" FPT X 1/2" O.D. HOSE (SIDEKICK ONLY)	1

<u>ITEM</u>	<u>PART NO.</u>	<u>DESCRIPTION</u>	<u>QTY.</u>
1401	7690791	VAC MOTOR FILTER	1
1402	7690781	VAC MOTOR SCREEN	1
1403	7693861	VAC MOTOR COVER	1
1404	9120450	10-24 X 1 ROUND HEAD PHILLIPS MACHINE SCREW - PACK OF 10	1
1405	9120790	10 X 5/8 PAN HEAD PHILLIPS SHEET METAL SCREW - PACK OF 10	5
1406	2690881	RECOVERY TANK LID ASSEMBLY	1
	2690921	BLACK RING, RECOVERY TANK	1
1406A	9120205	#8 X 1/2 PAN HEAD PHILLIPS SHEET METAL SCREW - PACK OF 3	1
1406B	2690911	LID - CLEAR, RECOVERY TANK	1
1406C	2690931	LID CHAIN, RECOVERY TANK	1
1407	2690891	RECOVERY TANK LID GASKET	1
1408	9120350	10-24 HEX NUT WITH NY-LOK INSERT - PACK OF 10	1
1409	4894081	NYLON HOSE CLAMP - 1 19/32" TO 1 13/16" DIAMETER	1
1410	2391541	FLOAT SCREEN ASSEMBLY	1
1411	2490561	GASKET - VAC MOTOR	1
1412	2690551	VAC MOTOR, 36 VOLT	1
	2792571	REPLACEMENT CARBON BRUSH	2
1413	9121363	1/4-20 X 4 1/2" FULLY THREADED STUD - PACK OF 2	3
1414	4890851	CABLE CLAMP	1
	9120930	9/32 I.D. X 5/8 O.D. X .051/0080 THICK SAE FLAT WASHER (1/4) - PACK OF 10	2
1415	9121360	1/4-20 HEX NUT WITH NY-LOK INSERT - PACK OF 10	3
1416	7691351	GASKET - 1 1/2" I.D. X 3" O.D.	1
1417	7691921	SPRING CLIP - HOSE	3
1418	9120030	#6 SPLIT LOCK WASHER - PACK OF 10	6
1419	9120070	6-32 X 3/8 ROUND HEAD PHILLIPS MACHINE SCREW - PACK OF 10	6
1420	7690951	VACUUM HOSE WITH CUFFS	1
1421	7695341	DRAIN HOSE, RECOVERY TANK	1
1422	4495441	HOSE CLAMP - 1 9/16" TO 2 1/2" DIAMETER	1
1423	9122220	3/8-16 X 3/4 HEX HEAD BOLT - PACK OF 5	2
1424	9122100	3/8 SPLIT LOCK WASHER - PACK OF 10	2
1425	9121400	3/8 I.D. X 7/8 O.D. X .064/.104 THICK WROUGHT WASHER (5/16) - PACK OF 10	2
1426	7691261	EXHAUST MUFFLER TUBE	1
1427	7690021	RECOVERY TANK	1
1428	9123000	1/8 X 11" WIRE TIE	1
1429	7693901	FLEXIBLE VACUUM MOTOR DISCHARGE HOSE	1
1430	8891180	GASKET - 1" X 1/4"	2
1431	7693841	VAC COVER INSULATION - BOTTOM	1
1432	7693871	VAC COVER INSULATION - SIDE - SMALL	1
1433	2690581	1/4 SPADE MALE TERMINAL 10 X 12 YELLOW	2
1434	4495441	HOSE CLAMP - 1 9/16" TO 2 1/2" DIAMETER	1
1435	7693891	VAC COVER INSULATION - TOP	1
1436	7693881	VAC COVER INSULATION - SIDE - LARGE	1
1437	9120933	.250 I.D. X .875 O.D. X .075 THICK FLAT WASHER - PACK OF 6	6
1438	9120330	#10 EXTERNAL STAR LOCK WASHER - PACK OF 10	6
1439	9120535	10-24 X 1 1/2 TRUSS HEAD PHILLIPS MACHINE SCREW - PACK OF 5	6
1440	2690891	RECOVERY TANK LID GASKET	1
1441	2690881	RECOVERY TANK LID ASSEMBLY	1
	2690921	BLACK RING, RECOVERY TANK	1
1441A	9120205	#8 X 1/2 PAN HEAD PHILLIPS SHEET METAL SCREW - PACK OF 3	1
1441B	2690931	LID CHAIN, RECOVERY TANK	1
1441C	2690911	LID - CLEAR, RECOVERY TANK	1
1442	9120790	10 X 5/8 PAN HEAD PHILLIPS SHEET METAL SCREW - PACK OF 10	7

RECOVERY TANK



NOTES

NOTES

ACCESSORIES



PART NO.	DESCRIPTION
7991701	17" BLACK STRIP PAD - CASE 5
7991741	17" UHS CLEANBUFF PAD - CASE 5
7991751	17" LITE BLUE SOFT FINISH PAD - CASE 5
7990031	17" GREEN ECOSTRIP PAD - CASE 10



SCRUB BRUSHES

3390891	17" POLYBLOCK TUFT PAD DRIVER
3390511	17" POLYBLOCK NYLON BRUSH
3390521	17" POLYBLOCK NYLON GRIT BRUSH
3390531	17" POLYBLOCK WIRE SCRUB BRUSH
3390901	17" POLYBLOCK SCRUB GRIT BRUSH



TWISTER PADS

7990831	17" TWISTER STARTER KIT
7991801	17" TWISTER RED PAD
7991791	17" TWISTER WHITE PAD
7991771	17" TWISTER YELLOW PAD
7991761	17" TWISTER GREEN PAD



5990731	SPRING CLIP PAD HOLDER SET
---------	----------------------------

7691829	OVERHEADLIGHT KIT
7692031	STROBE LIGHT BULB
2690951	BATTERY - 350 AMP HOUR - 6 VOLT DC - DRY
2691501	BATTERY - 350 AMP HOUR - 6 VOLT DC - WET
3390361	BATTERY - 235 AMP HOUR - 6 VOLT DC - WET
3390991	BATTERY - 330 AMP HOUR - 6 VOLT DC - AGM



7692181	LOW WATER BATTERY ALARM
7694071	OFF BOARD CHARGER ADAPTOR

3393361	VAC MOTOR - 36 VOLT
7694309	VAC MOTOR - 36 VOLT

2392129	WET PICKUP KIT, INCLUDES:
---------	---------------------------

2291211	5" CONNECTOR, ALUMINUM
2391231	VACUUM HOSE, 7 FOOT
2391241	HOSE STRAP
5797011	TOOL - SQUEEGEE WITH WHEELS -
5790469	WAND SET 1 1/2" - INCLUDES
5790471	LOWER WAND - 1 1/2"
5790481	UPPER WAND - 1 1/2"



2392179	BRUSH / SQUEEGEE KIT, INCLUDES:
---------	---------------------------------

2291211	5" CONNECTOR, ALUMINUM
2290209	STEEL WAND, 1 PIECE
2391231	VACUUM HOSE, 7 FOOT
3097849	14" BRUSH / SQUEEGEE TOOL



NSS ® Enterprises, Inc.

3115 Frenchmens Road, Toledo, Ohio 43607
PHONE (419) 531-2121 FAX (419) 531-3761

NSS Asia Limited Shanghai

501 LiYuan Road, Building A7, Suite 7112
Lu Wan District, Shanghai, China 6137125
Phone: (021) 61371251 Fax: (021) 61371252