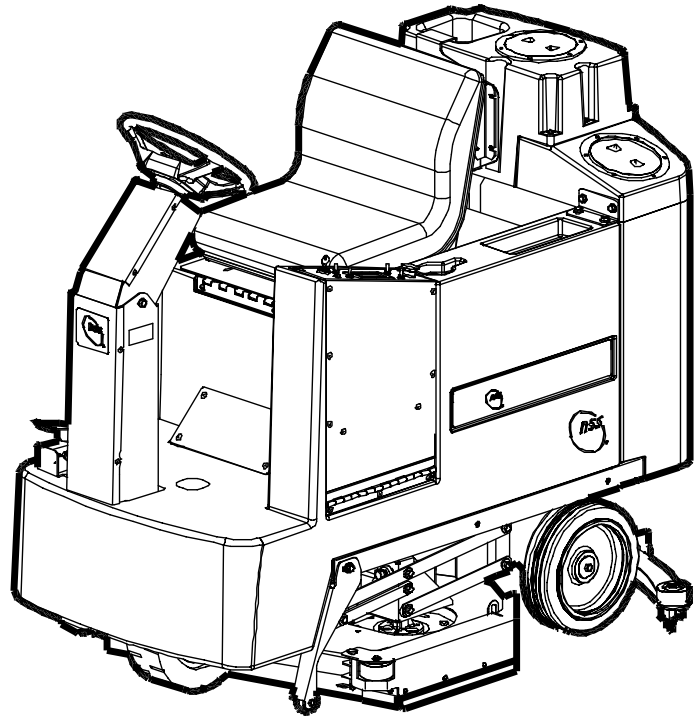
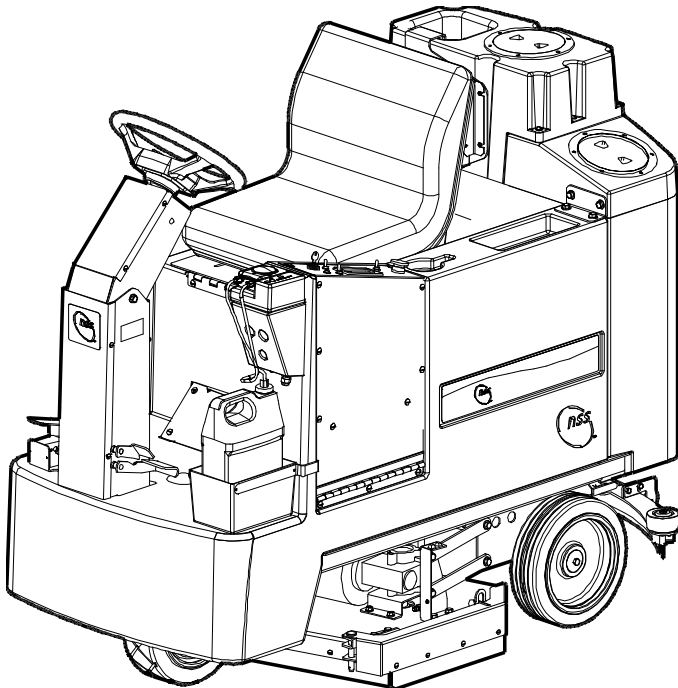


PARTS LIST
CHAMP 3529 RB



WITHOUT SIDEKICK CHEMICAL METERING

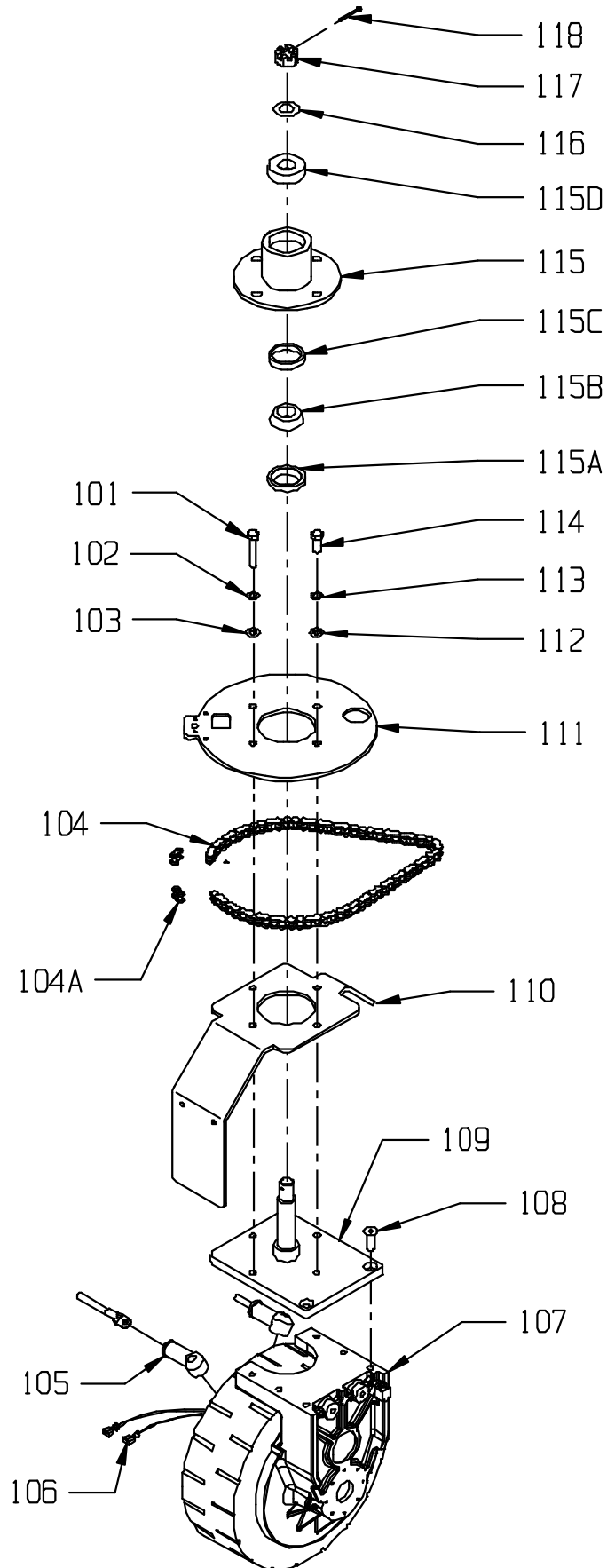


**WITH SIDEKICK CHEMICAL
METERING**



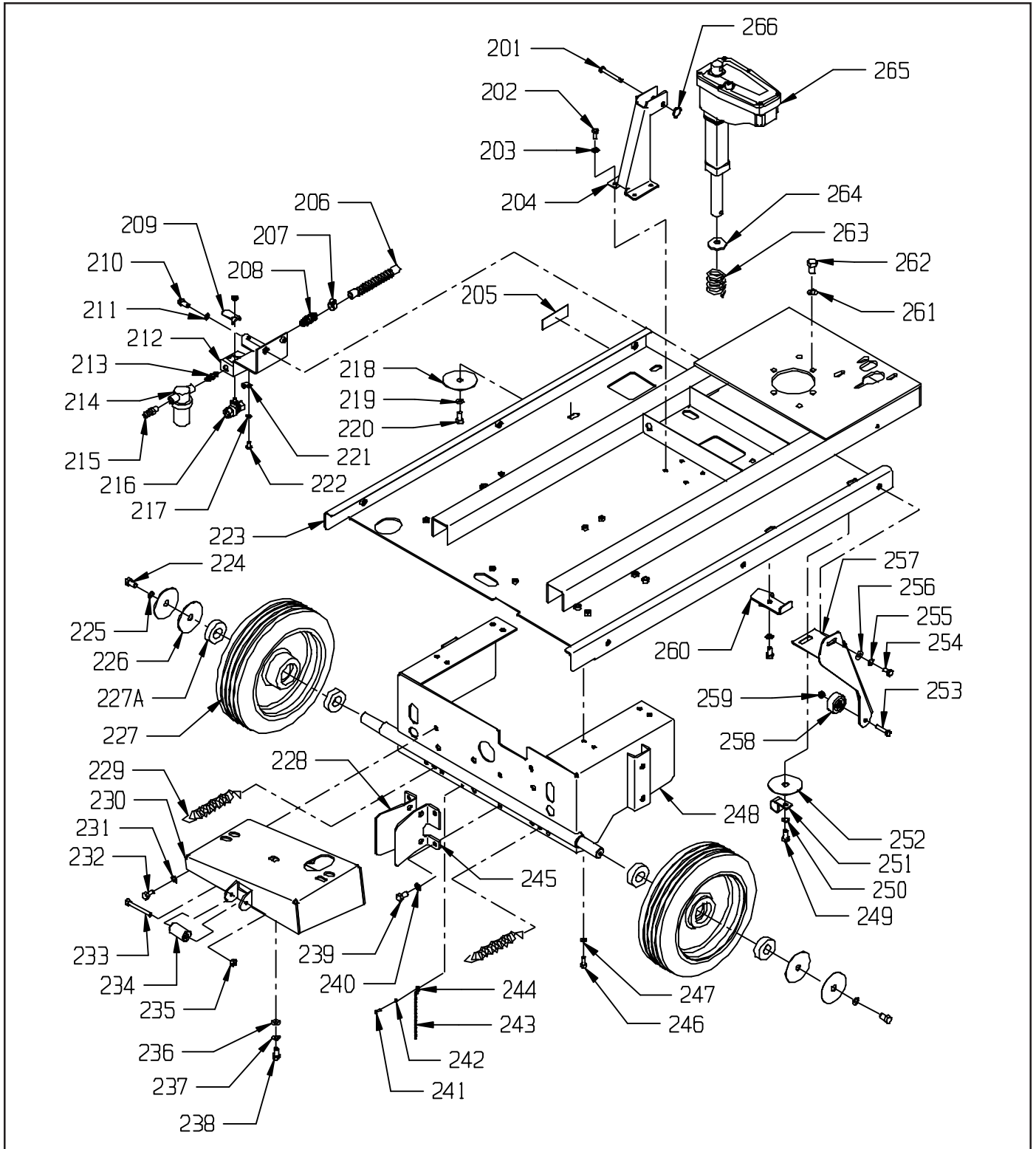
<u>ITEM</u>	<u>PART NO.</u>	<u>DESCRIPTION</u>	<u>QTY.</u>
101	9124000	M10 - 1.5 X 50 HEX HEAD BOLT - PACK OF 2	2
102	9124003	M10 SPLIT LOCK WASHER - PACK OF 5	2
103	9124002	M10 FLAT WASHER - PACK OF 5	2
104	7691259	CHAIN KIT - CHAIN WITH TWO MASTERS - INCLUDES:	1
	2790341	ROLLER CHAIN 67 LINKS WITHOUT MASTER	1
104A	2795211	LINK - MASTER #40 CHAIN NICKEL	2
105	6492051	STUD TERMINAL BOOT - RUBBER	2
106	4991371	FULLY INSULATED MALE TERMINAL 18-22 GAGE	2
107	7695561	CHASSIS DRIVE 300 - INCLUDES:	1
	7695581	WHEEL / TIRE CD300	1
	7695599	WHEEL BOLTS & LOCK WASHERS CD300 - KIT	1
	7695241	WHEEL BOLTS	10
	7695251	WHEEL LOCK WASHERS	10
	7695261	MOTOR	1
	7695271	CARBON BRUSH	4
108	9124001	M10 - 1.5 X 30 FLAT HEAD SOCKET CAPS SCREW	4
109	7690581	STEERING YOKE	1
110	7690563	FENDER / TOW HOOK / SPACER	1
111	7690571	DRIVEN SPROCKET - STEERING	1
112	9122100	3/8 I.D. X 7/8 O.D. X .064/.104 THICK WROUGHT WASHER (5/16) - PK - 10	2
113	9122100	3/8 SPLIT LOCK WASHER - PACK OF 10	2
114	9122300	3/8-16 X 1 1/4 HEX BOLT - PACK OF 2	2
115	7690509	BEARING BLOCK - STEERING ASSEMBLY - INCLUDES:	1
115A	7690591	SEAL - STEERING	1
115B	7690671	BEARING CONE - STEERING BOTTOM	1
115C	7690681	BEARING CUP - STEERING BOTTOM	1
115D	2790311	BEARING, BOTTOM END	1
116	9123105	3/4 I.D. X 1 1/4 O.D. X .071/.082 THICK FLAT WASHER (11 GAGE)-PK-5	1
117	9123100	3/4-16 HEX SLOTTED NUT - STEEL - PACK OF 1	1
118	9120314	1/8 X 1 1/4 COTTER PIN - STEEL - PACK OF 5	1

DRIVE WHEEL ASSEMBLY



<u>ITEM</u>	<u>PART NO.</u>	<u>DESCRIPTION</u>	<u>QTY.</u>
201	7690311	3/8" DIAMETER X 2.505 LONG CLEVIS PIN	1
202	9121210	1/4-20 X 5/8 HEX BOLT - PACK OF 10	4
203	9120880	1/4 SPLIT LOCK WASHER - PACK OF 10	4
204	7690301	BRUSH ACTUATOR BRACKET	1
205	3393591	STRAINER LOCATION LABEL	1
206	7693781	6 1/2 X 3/4 CONVOLUTED HOSE	1
207	7693811	HOSE CLAMP 9/16" TO 1 1/16"	1
208	7695161	3/4 HOSE BARB X 1/4 MPT FITTING	1
209	7691041	VALVE LEVER	1
210	9121600	5/16-18 X 5/8 HEX BOLT - PACK OF 5	2
211	9121520	5/16 SPLIT LOCK WASHER - PACK OF 10	2
212	7691031	SOLUTION VALVE HANGER	1
213	3891941	1/4 NPT HEX NIPPLE	1
214	3393551	INLINE CANISTER STRAINER (INCLUDES)	1
	3393611	STRAINER ELEMENT	1
	3394559	KIT, BOWL & GASKETS (INCLUDES)	1
	3393621	GASKET	1
	3392731	BOWL	1
215	2495161	1/2 HOSE BARB X 1/4 MPT	1
216	2397961	SOLUTION VALVE	1
217	9120370	7/32 I.D. X 1/2 O.D. X .032/.065 THICK SAE FLAT WASHER (#10) - PACK OF 10	1
218	9122110	3/8 X 1 1/2 FENDER WASHER - PACK OF 10	2
219	9122100	3/8 SPLIT LOCK WASHER - PACK OF 10	2
220	9122220	3/8-16 X 3/4 HEX BOLT - PACK OF 5	2
221	7691061	CONDUIT CLAMP	1
222	9120510	10-24 X 1/2 TRUSS HEAD PHILLIPS MACHINE SCREW - PACK OF 5	1
223	7693931	MAIN FRAME - CHAMP 35	1
224	9122220	3/8-16 X 3/4 HEX BOLT - PACK OF 5	2
225	9122100	3/8 SPLIT LOCK WASHER - PACK OF 10	2
226	9122110	3/8 X 1 1/2 FENDER WASHER - PACK OF 10	4
227	7690081	12 X 3 WHEEL - INCLUDES:	2
227A	2790311	BEARING, BOTTOM END	2
228	7693731	LEFT HAND SQUEEGEE MOUNT / STOP BRACKET	1
229	7690291	EXTENSION SPRING, SQUEEGEE	2
230	7694013	MOUNTING BRACKET - LOWER RECOVERY TANK	1
231	9122100	3/8 SPLIT LOCK WASHER - PACK OF 10	4
232	9122220	3/8-16 X 3/4 HEX BOLT - PACK OF 5	4
233	9122350	3/8-16 X 3 HEX BOLT - PACK OF 1	1
234	7690811	GUIDE	1
235	9122140	3/8-16 HEX NUT WITH NY-LOK INSERT - PACK OF 5	1
236	9121400	3/8 I.D. X 7/8 O.D. X .064/.104 THICK WROUGHT WASHER (5/16) - PACK OF 10	2
237	9122100	3/8 SPLIT LOCK WASHER - PACK OF 10	2
238	9122220	3/8-16 X 3/4 HEX BOLT - PACK OF 5	2
239	9122220	3/8-16 X 3/4 HEX BOLT - PACK OF 5	4
240	9122100	3/8 SPLIT LOCK WASHER - PACK OF 10	4
241	9120380	10-24 X 3/8 ROUND HEAD PHILLIPS MACHINE SCREW - PACK OF 10	4
242	9120320	#10 SPLIT LOCK WASHER - PACK OF 10	1
243	6491860	ROUND BEAD CHAIN (CUT TO 6")	.5
244	6491871	END COUPLING - ROUND BEAD CHAIN	1
245	7693721	RIGHT HAND SQUEEGEE MOUNT / STOP BRACKET	1
246	9122220	3/8-16 X 3/4 HEX BOLT - PACK OF 5	8
247	9122100	3/8 SPLIT LOCK WASHER	8
248	7693713	AXLE BRACKET	1
249	9122260	3/8-16 X 1 HEX BOLT - PACK OF 2	2
250	9122100	3/8 SPLIT LOCK WASHER - PACK OF 10	2
251	2395761	CLAMP, TUBE	1
252	9122110	3/8 X 1 1/2 FENDER WASHER - PACK OF 10	1
253	9121780	5/16-18 X 1-1/2 HEX BOLT - PACK OF 2	1
254	9122220	3/8-16 X 3/4 HEX BOLT - PACK OF 5	2
255	9122100	3/8 SPLIT LOCK WASHER - PACK OF 10	2
256	9121980	7/16 I.D. X 1 O.D. X .075/.080 THICK FLAT WASHER (3/8) - PACK OF 2	2
257	7695481	TIP STOP, RIGHT	1
	7695491	TIP STOP, LEFT	1
258	3096741	WHEEL, BUMPER-SMALL GRAY	2
259	9121450	5/16-18 HEX NUT WITH NY-LOCK INSERT - PACK OF 5	2

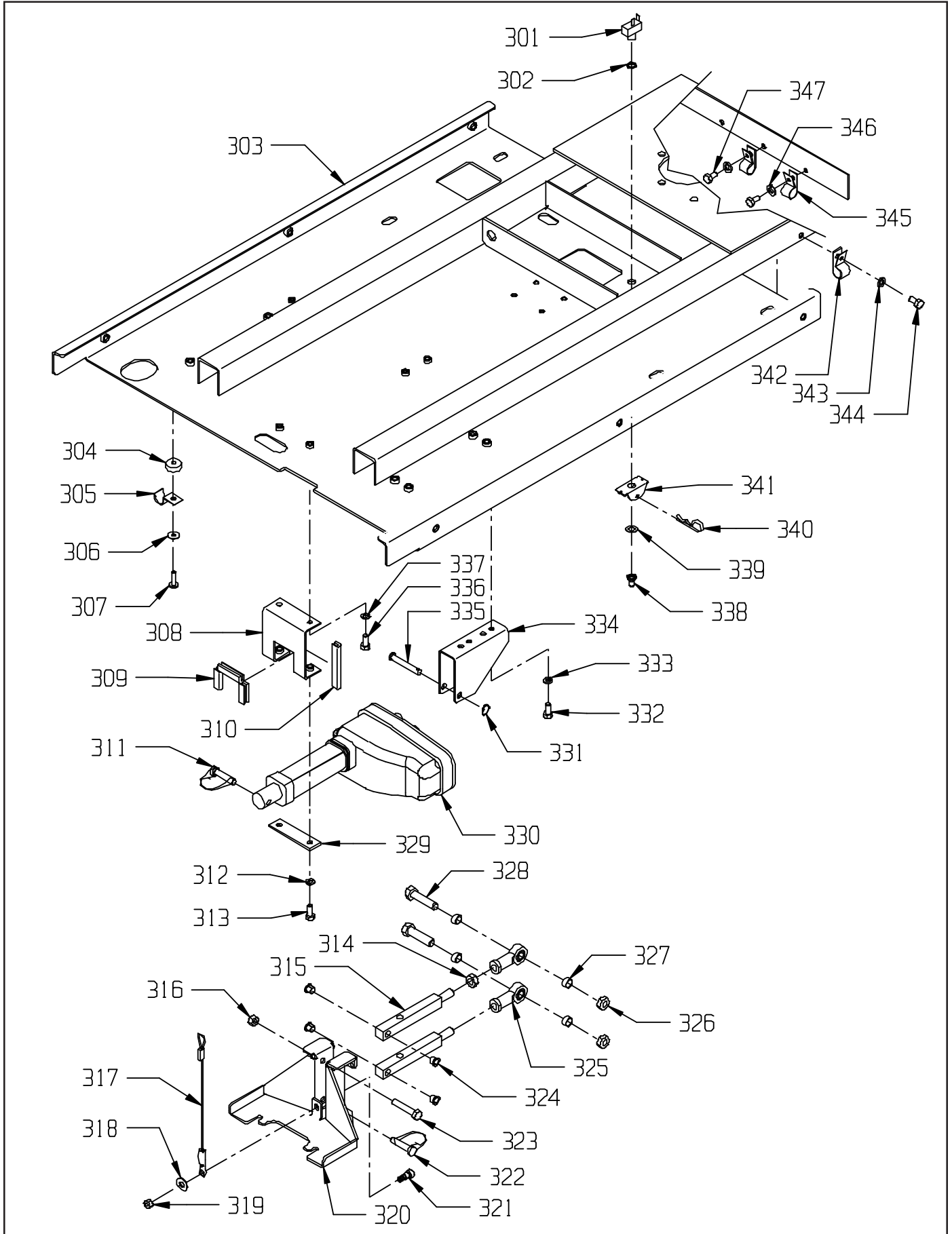
CHASSIS ASSEMBLY



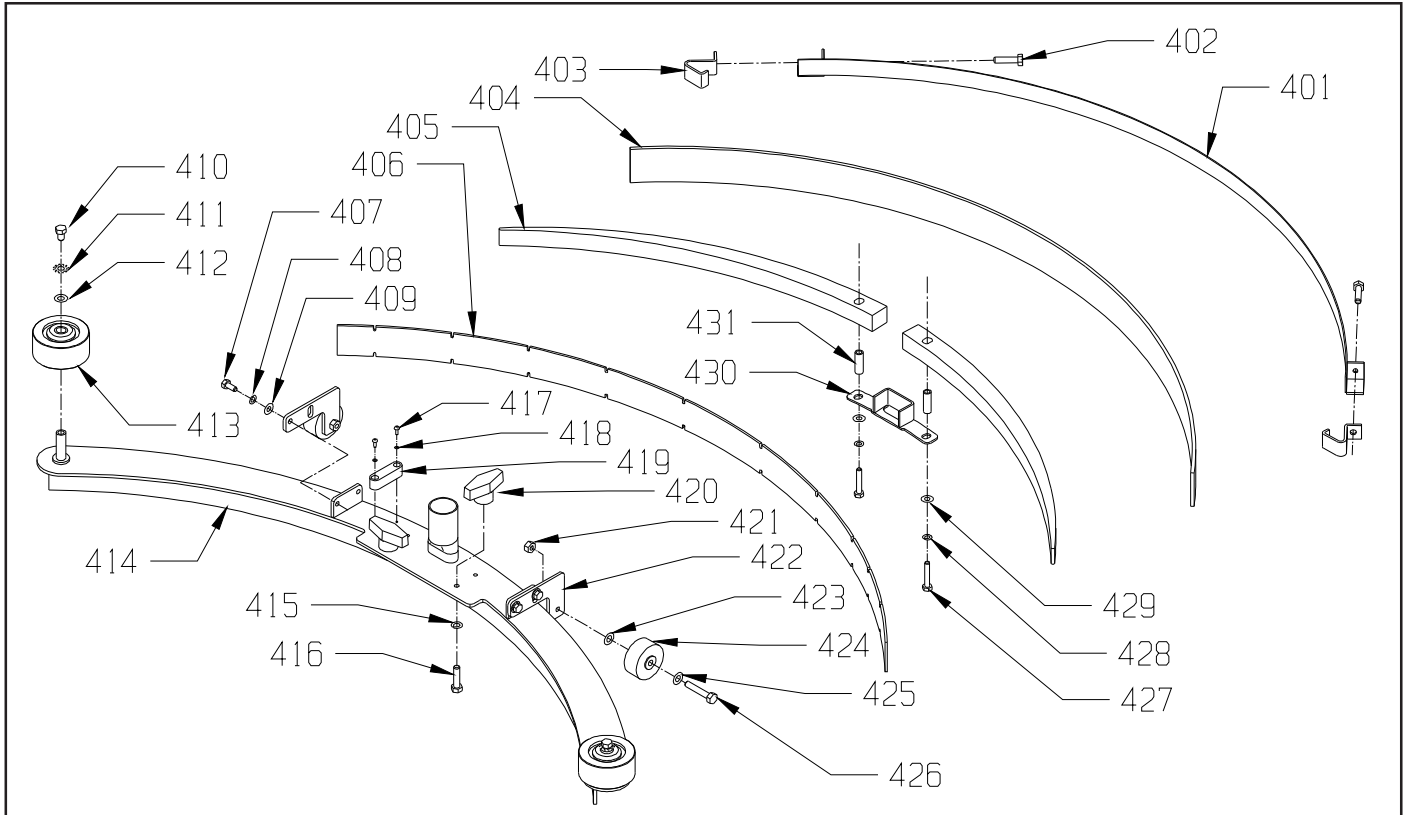
ITEM	PART NO.	DESCRIPTION	QTY.
260	7693911	PANHARD ROD MOUNT	1
261	9122420	1/2 SPLIT LOCK WASHER - PACK OF 5	4
262	9122500	1/2-13 X 7/8 HEX BOLT - PACK OF 2	4
263	7693641	COMPRESSION SPRING	1
264	3190191	STRING GUARD-PLATED	1
265	7690549	BRUSH / SQUEEGEE ACTUATOR KIT	1
	7692209	ACTUATOR LIMIT SWITCH KIT	1
266	2392561	CIRCLE COTTER PIN	1

<u>ITEM</u>	<u>PART NO.</u>	<u>DESCRIPTION</u>	<u>QTY.</u>
301	3390411	FORWARD - REVERSE SWITCH	1
302	0798821	5/8" HEX NUT (LARGE NUT)	1
303	7693931	MAIN FRAME	1
304	7691361	ACTUATOR SPRING GUIDE	1
305	2690971	HOSE CLIP	1
306	9120930	9/32 I.D. X 5/8 O.D. X .051/.080 THICK SAE FLAT WASHER (1/4) - PACK OF 10	1
307	9121270	1/4-20 X 1 HEX BOLT - PACK OF 10	1
308	7690191	ACTUATOR MOUNT - REAR	1
309	9997590	METAL CORE QUICKEDGE TRIM (CUT TO 2.5", 2.75", 2.5")	.6
310	9997590	METAL CORE QUICKEDGE TRIM (CUT TO 3")	.3
311	9121950	3/8 X 1 5/8 CLEVIS PIN WITH RETAINER - PACK OF 1	1
312	9121520	5/16 SPLIT LOCK WASHER - PACK OF 10	2
313	9121640	5/16-18 X 3/4 HEX BOLT - PACK OF 5	2
314	9122670	1/2-20 HEX JAM NUT - PACK OF 5	1
315	1390156	SQUEEGEE SHAFT	2
316	9122140	3/8-16 HEX NUT WITH NY-LOK INSERT - PACK OF 5	1
317	7691071	SQUEEGEE LIFT CABLE	1
318	9121400	3/8 I.D. X 7/8 O.D. X .064/.104 THICK WROUGHT WASHER (5/16) - PACK OF 10	1
319	9121450	5/16-18 HEX NUT WITH NY-LOK INSERT - PACK OF 5	1
320	7693831	SQUEEGEE BRACKET	1
321	9122020	3/8 DIA. X 3/8 LONG SOCKET HEAD SHOULDER BOLT 5/16-18 - PACK OF 1	1
322	9121950	3/8 X 1 5/8 CLEVIS PIN WITH RETAINER - PACK OF 1	1
323	9122340	3/8-16 X 2 HEX BOLT - PACK OF 2	1
324	1391171	3/8 FLANGE NYLINER	4
325	2391941	BALL JOINT	2
326	9122495	1/2-13 HEX NUT WITH NY-LOK INSERT - THIN - PACK OF 1	2
327	2391461	BUSHING - LIFT LEVER	4
328	9122580	1/2-13 X 2 HEX BOLT - PACK OF 1	2
329	7690201	ACTUATOR MOUNT CLAMP	1
330	7690549	BRUSH / SQUEEGEE ACTUATOR KIT	1
	7692209	ACTUATOR LIMIT SWITCH KIT	1
331	2392561	CIRCLE COTTER	1
332	9121640	5/16-18 X 3/4 HEX BOLT - PACK OF 5	2
333	9121520	5/16 SPLIT LOCK WASHER - PACK OF 10	2
334	7694061	FRONT MOUNT - SQUEEGEE ACTUATOR	1
335	7690311	3/8" DIAMETER X 2.505" LONG CLEVIS PIN	1
336	9121640	5/16-18 X 3/4 HEX BOLT - PACK OF 5	2
337	9121520	5/16 SPLIT LOCK WASHER - PACK OF 10	2
338	0693141	RUBBER SWITCH BOOT	1
339	0691851	1/2" INTERNAL STAR LOCK WASHER	1
340	7690491	#6 HAIR COTTER PIN	1
341	7691791	SWITCH GUARD	1
342	2395761	CLAMP, TUBE	1
343	9120880	1/4 SPLIT LOCK WASHER - PACK OF 10	1
344	9121210	1/4-20 X 5/8 HEX BOLT - PACK OF 10	1
345	3291111	CORD CLAMP	2
346	9120880	1/4 SPLIT LOCK WASHER - PACK OF 10	2
347	9121210	1/4-20 X 5/8 HEX BOLT - PACK OF 10	2

SQUEEGEE ACTUATOR ASSEMBLY

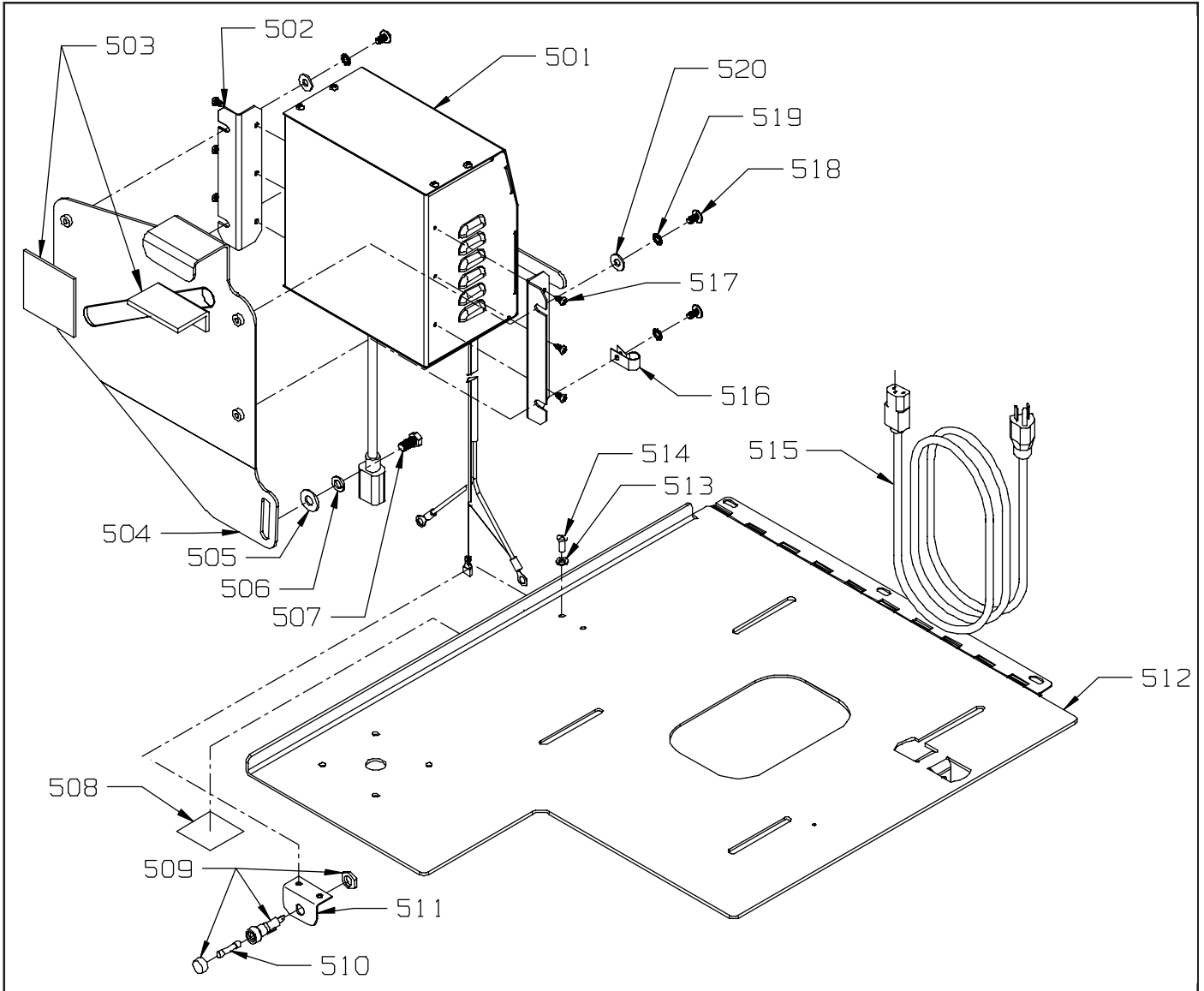


CURVED SQUEEGEE ASSEMBLY - 7693809



ITEM	PART NO.	DESCRIPTION	QTY.
401	2693841	REAR SECURING STRAP	1
402	9121720	5/16-18 X 1 1/4 HEX HEAD FULL THREADED BOLT	2
403	2492561	HOOKED END	2
404	7693381	REAR SQUEEGEE BLADE - LINETEX	1
405	2693811	CENTER WEDGE	2
406	2693821	FRONT BLADE	1
407	9121560	5/16-18 X 1/2 HEX BOLT	2
408	9121410	5/16 EXTERNAL STAR LOCK WASHER	2
409	9121390	11/32 I.D. X 11/16 O.D. X .051/.080 THICK SAE FLAT WASHER (5/16)	2
410	9121210	1/4-20 X 5/8 HEX BOLT	4
411	9120880	1/4 SPLIT LOCK WASHER	4
412	9120930	9/32 I.D. X 5/8 O.D. X .051/.080 THICK SAE FLAT WASHER (1/4)	4
413	2790281	BUMPER WHEEL	2
414	7693823	MAIN HOUSING	1
415	9121520	5/16 SPLIT LOCK WASHER	2
416	9121720	5/16-18 X 1 1/4 HEX HEAD FULL THREADED BOLT	2
417	9120070	6-32 X 3/8 ROUND HEAD PHILLIPS MACHINE SCREW	2
418	9120030	#6 SPLIT LOCK WASHER	2
419	2492581	SQUEEGEE LEVEL	1
420	3392971	T-KNOB - SQUEEGEE	2
421	9121450	5/16-18 HEX NUT WITH NY-LOCK INSERT	2
422	2492571	DOLLY WHEEL MOUNTING BRACKET	2
423	9121390	11/32 I.D. X 11/16 O.D. X .051/.080 THICK SAE FLAT WASHER (5/16)	2
424	3096741	ROLLER WHEEL	2
425	9121390	11/32 I.D. X 11/16 O.D. X .051/.080 THICK SAE FLAT WASHER (5/16)	2
426	9121760	5/16-18 X 1 3/4 HEX BOLT	2
427	9121280	1/4-20 X 1 1/2 HEX BOLT	2
428	9120880	1/4 SPLIT LOCK WASHER	2
429	9120930	9/32 I.D. X 5/8 O.D. X .051/.080 THICK SAE FLAT WASHER (1/4)	2
430	2492541	CENTER HOLD DOWN	1
431	2492591	CENTER HOLD DOWN SPACER	2

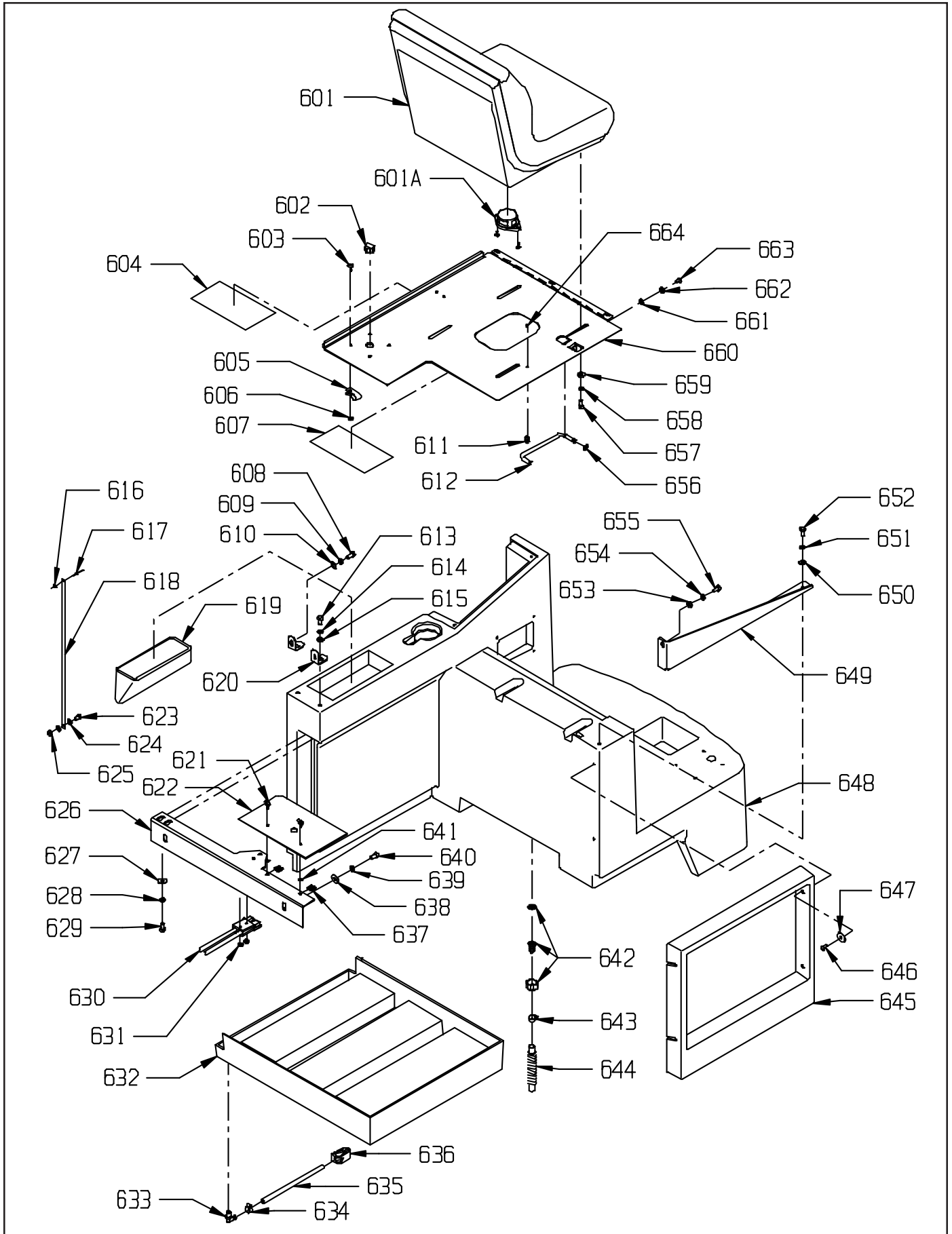
ONBOARD CHARGER



<u>ITEM</u>	<u>PART NO.</u>	<u>DESCRIPTION</u>	<u>QTY.</u>
501	6497531	36 VOLT ONBOARD CHARGER 120/240 VOLT, 25 AMP - INCLUDES:	1
	2695861	CORD WRAP	1
502	2695841	CHARGER MOUNTING BRACKET	2
503	7692711	MOUNTING BRACKET PAD	2
504	7692681	ONBOARD CHARGER MOUNT	1
505	9120930	1/4 FLAT WASHER - PACK OF 2	1
506	9120880	1/4 LOCK WASHER - PACK OF 10	1
507	9121250	1/4-16 X 3/4" LONG HEX HEAD BOLT - PACK OF 5	1
508	3394721	FUSE DECAL	1
509	4990321	FUSE HOLDER WITH NUT & WASHER	1
510	6496451	FAST-ACTING FUSE 2 AMP	1
511	7692253	FUSE HOLDER MOUNT	1
512	7692691	BATTERY COVER/SEAT PLATE	1
513	9120330	#10 EXTERNAL STAR LOCK WASHER - PACK OF 10	2
514	9120500	10-24 X 3/8 FLAT HEAD PHILLIPS MACHINE SCREW - PACK OF 10	2
515	6495701	120 VOLT ONBOARD CHARGER CORD	1
	6495711	240 VOLT ONBOARD CHARGER CORD	1
	0396271	TYPE I CORD (CHINA)	1
516	3291111	CORD CLAMP	1
517	9120810	#10 X 1/2 PAN HEAD SHEET METAL SCREW - PACK OF 10	6
518	9121090	1/4-20 X 1/2 TRUSS HEAD PHILLIPS MACHINE SCREW - PACK OF 5	4
519	9120970	1/4 STAR LOCK WASHER - PACK OF 10	4
520	9120940	1/4 FLAT WASHER - PACK OF 10	4

<u>ITEM</u>	<u>PART NO.</u>	<u>DESCRIPTION</u>	<u>QTY.</u>
601	7690601	SEAT - INCLUDES:	1
601A	7691801	SEAT SWITCH, SCREW MOUNT	1
601A	7692601	SEAT SWITCH, TWIST MOUNT	1
602	0690761	BUTTON, PLUG	1
603	9121000	1/4-20 X 5/8 TRUSS HEAD PHILLIPS MACHINE SCREW - PACK OF 5	4
604	3394141	OBC WARNING DECAL	1
605	4890851	CABLE CLAMP	1
606	9120900	1/4-20 HEX NUT WITH NY-LOK INSERT - PACK OF 10	4
607	3392811	BATTERY WARNING DECAL	1
608	9122220	3/8-16 X 3/4 HEX BOLT - PACK OF 5	2
609	9122100	3/8 SPLIT LOCK WASHER - PACK OF 10	2
610	9121400	3/8 I.D. X 7/8 O.D. X .064/.104 THICK WROUGHT WASHER (5/16)-PK-10	2
611	7691081	3/8 STOWAGE CLIP	1
612	7691191	PROP ROD - BATTERY COVER / SEAT PLATE	1
613	9122220	3/8-16 X 3/4 HEX BOLT - PACK OF 5	2
614	9122100	3/8 SPLIT LOCK WASHER - PACK OF 10	2
615	9121400	3/8 I.D. X 7/8 O.D. X .064/.104 THICK WROUGHT WASHER (5/16)-PK-10	2
616	9120370	7/32 I.D. X 1/2 O.D. X .032/.065 THICK FLAT WASHER (#10) - PACK OF 10	1
617	9120817	3/16 X 11/16 DOME HEAD POP RIVET - ALUMINUM - PACK OF 5	1
618	7691911	SOLUTION GAGE	1
619	7691249	FILTER SCREEN ASSEMBLY	1
620	7692373	SOLUTION TANK MOUNTING BRACKET	2
621	7692531	1/4 TURN STUD	2
622	7692701	BATTERY COMPARTMENT CORNER PLATE	1
623	9121600	5/16-18 X 5/8 HEX BOLT - PACK OF 5	1
624	9121400	3/8 I.D. X 7/8 O.D. X .064/.104 THICK WROUGHT WASHER (5/16)-PK-10	2
625	9121450	5/16-18 HEX NUT WITH NY-LOK INSERT - PACK OF 5	1
626	7695203	UPPER MOUNTING BRACKET - RECOVERY TANK	1
627	9121400	3/8 I.D. X 7/8 O.D. X .064/.104 THICK WROUGHT WASHER (5/16)-PK-10	2
628	9122100	3/8 SPLIT LOCK WASHER - PACK OF 10	2
629	9122220	3/8-16 X 3/4 HEX BOLT - PACK OF 5	2
630	7691691	WIRING HARNESS: BATTERIES TO CONTROLLER	1
631	9120910	1/4-20 HEX NUT WITH STARLOCK WASHER - PACK OF 10	2
632	7690051	BATTERY BOX	1
633	2490601	FITTING, ELL 3/8 BARB X 1/4 MNPT	1
634	5092371	CORD CLAMP	1
635	8791070	3/8" I.D. X 1/2" O.D. VINYL HOSE - (CUT TO 18")	1.5'
636	3390661	TUBING CONTROL VALVE	1
637	7692551	1/4 TURN CLIP ON RECEPTACLE	2
638	9121400	3/8 I.D. X 7/8 O.D. X .064/.104 THICK WROUGHT WASHER (5/16)-PK-10	2
639	9122100	3/8 SPLIT LOCK WASHER - PACK OF 10	2
640	9122220	3/8-16 X 3/4 HEX BOLT - PACK OF 5	2
641	7692541	WASHER FOR 1/4 TURN STUD	2
642	7693771	FILTER FITTING 3/4 HOSE BARB AND COLLAR	1
643	7693811	HOSE CLAMP - 9/16" TO 1 1/16"	1
644	7693781	3/4" DIAMETER X 6 1/2" LONG CONVOLUTED HOSE	1
645	7690061	SIDECOVER	1
646	9121000	1/4-20 X 5/8 TRUSS HEAD PHILLIPS MACHINE SCREW - PACK OF 5	4
647	9120950	1/4 I.D. X 1 1/4 O.D. FENDER WASHER - PACK OF 10	4
648	7690011	SOLUTION TANK	1
649	7691013	SOLUTION TANK MOUNTING BRACKET - RIGHT	1
650	9121400	3/8 I.D. X 7/8 O.D. X .064/.104 THICK WROUGHT WASHER (5/16)-PK-10	1
651	9122100	3/8 SPLIT LOCK WASHER - PACK OF 10	1
652	9122220	3/8-16 X 3/4 HEX BOLT - PACK OF 5	1
653	9121980	3/8 FLAT WASHER - PACK OF 10	1
654	9122100	3/8 SPLIT LOCK WASHER - PACK OF 10	1
655	9122220	3/8-16 X 3/4 HEX BOLT - PACK OF 5	1
656	7691091	3/8 EXTERNAL E-RING - PROP ROD	2
657	9121640	5/16-18 X 3/4 HEX BOLT - PACK OF 5	4
658	9121520	5/16 SPLIT LOCK WASHER - PACK OF 10	4
659	9120940	5/16 I.D. X 3/4 O.D. X .051/.080 THICK WROUGHT WASHER (1/4)-PK-10	4
660	7692691	BATTERY COVER / SEAT PLATE	1
661	9120930	9/32 I.D. X 5/8 O.D. X .051/.080 THICK SAE FLAT WASHER (1/4)-PK-10	3
662	9120970	1/4 EXTERNAL STAR LOCK WASHER - PACK OF 10	3
663	9121000	1/4-20 X 5/8 TRUSS HEAD PHILLIPS MACHINE SCREW - PACK OF 5	3
664	9120307	1/8 X 3/16 DOME HEAD POP RIVET - ALUMINUM - PACK OF 5	1

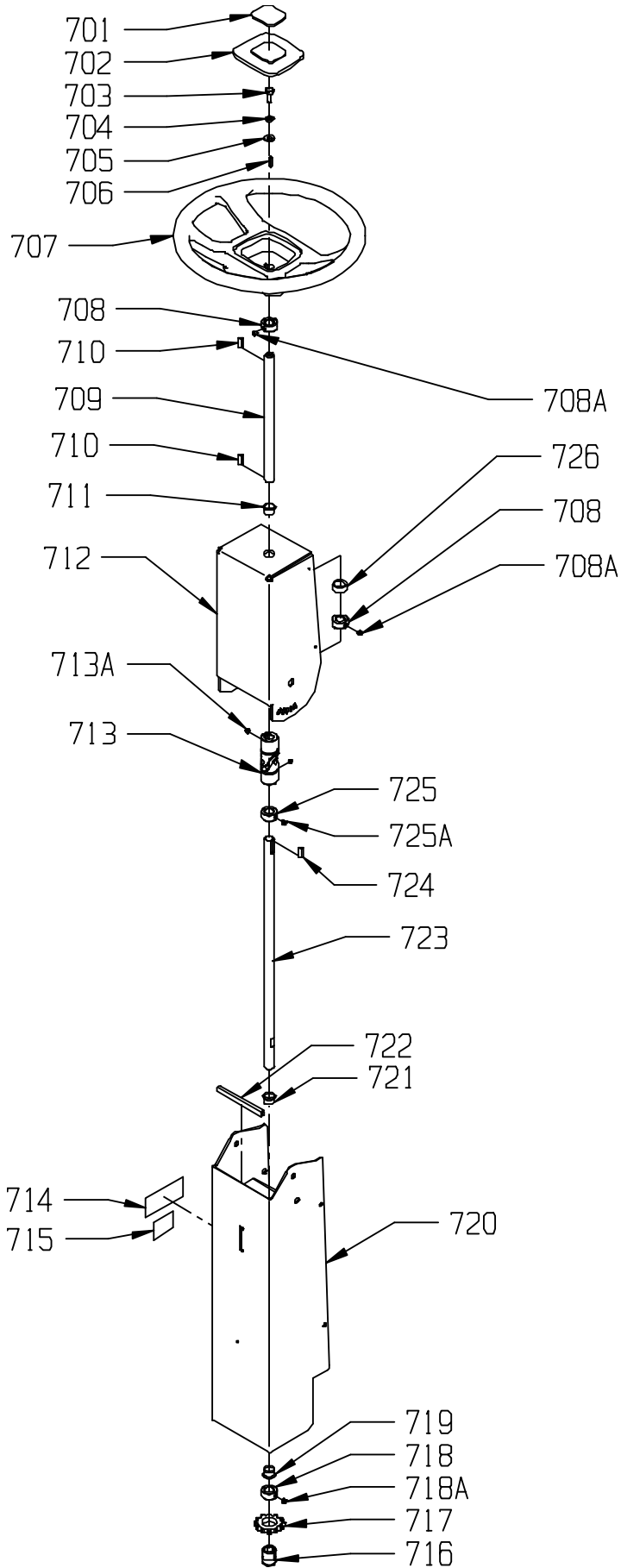
SOLUTION TANK ASSEMBLY



INNER STEERING COLUMN ASSEMBLY

<u>ITEM</u>	<u>PART NO.</u>	<u>DESCRIPTION</u>	<u>QTY.</u>
701	7690931	DECAL - STEERING WHEEL	1
702	7690631	CAP - STEERING WHEEL	1
703	9121640	5/16-18 X 3/4 HEX BOLT	1
704	9121520	5/16 SPLIT LOCK WASHER	1
705	9121985	13/32 I.D. X 1 O.D. X .12 THICK FLAT WASHER (11 GAGE)	1
706	9120827	3/16 SQUARE X 1 LONG KEY - STEEL	1
707	7690611	STEERING WHEEL	1
708	7690661	5/8 SET COLLAR / STEERING SHAFT - INCLUDES:	2
708A	9121380	5/16-18 X 3/8 SET SCREW - KNURL POINT	2
709	7690921	UPPER STEERING SHAFT	1
710	9120827	3/16 SQUARE X 1 LONG KEY - STEEL	2
711	2790761	BEARING, FLANGE FF-71	1
712	7690733	UPPER COLUMN	1
713	7690621	UNIVERSAL JOINT - STEERING - INCLUDES:	1
713A	9121380	5/16-18 X 3/8 SET SCREW - KNURL POINT	2
714	7692291	NAMING IDENTIFICATION LABEL	1
715	5392401	WARNING - FIRE LABEL	1
716	7691311	TRAN - TORQUE KEYLESS BUSHING	1
717	7691321	SPROCKET	1
718	7690661	5/8 SET COLLAR / STEERING SHAFT - INCLUDES:	1
718A	9121380	5/16-18 X 3/8 SET SCREW - KNURL POINT	1
719	2790761	BEARING, FLANGE FF-71	1
720	7692921	STEERING COLUMN - BASE	1
721	2790761	BEARING, FLANGE FF-71	1
722	9997590	METAL CORE QUICKEDGE TRIM (CUT TO 6")	.5'
723	7690911	LOWER STEERING SHAFT	1
724	9120827	3/16 SQUARE X 1 LONG KEY - STEEL	1
725	7690661	5/8 SET COLLAR / STEERING SHAFT - INCLUDES:	1
725A	9121380	5/16-18 X 3/8 SET SCREW - KNURL POINT	1
726	4492921	SPACER	1

INNER STEERING COLUMN ASSEMBLY



ELECTRICAL COMPONENTS

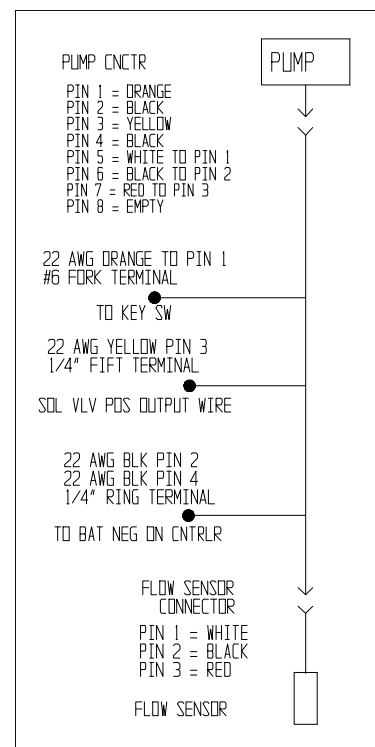
<u>PART NO.</u>	<u>DESCRIPTION</u>	<u>QTY.</u>	<u>PART NO.</u>	<u>DESCRIPTION</u>	<u>QTY.</u>
0693141	RUBBER SWITCH BOOT	5	7691691	WIRING HARNESS:	1
2391981	BATTERY JUMPER 3/8" RING	5		BATTERIES TO CONTROLLER	
2398181	1/4 RING 16-14 GAGE NYLON INS.	1	7691701	MAIN WIRING HARNESS	1
2690581	1/4 SPADE MALE TERMINAL 10-12	2	7691721	WIRE LCD TO SWITCH	1
2694131	POTENTIOMETER	1	7691731	GROUND WIRE	2
2792021	CONTACTOR - SOLENOID	1	7691751	WIRE ASSEMBLY HIGH REFERENCE	1
3390411	FORWARD - REVERSE SWITCH	2	7691761	WIRE ASSEMBLY LOW REFERENCE	1
3393521	ACTUATOR, EMERGENCY STOP	1	7691781	WIRE ASSEMBLY - SWITCH	1
7691301	EMERGENCY STOP BLOCK	1		TO BRUSH ACTUATOR	
4491101	TOGGLE SWITCH, MOTOR	2	7691801	SEAT SWITCH, SCREW	1
4890791	CIRCUIT BREAKER - 2 AMP	2	7692601	SEAT SWITCH, TWIST MOUNT	1
4990321	FUSE HOLDER WITH NUT	1	7692421	TERMINAL BOOT (RED)	5
4991371	FULLY INSULATED MALE TERMINAL	2	7692511	KEY SWITCH WITH KEY	1
6491261	CIRCUIT BREAKER - 90 AMP	1	7692521	REPLACEMENT KEY FOR 7692511	1
6492051	RUBBER TERMINAL BOOT (BLACK)	4	7695561	CHASSIS DRIVE 300	1
6497531	36V ONBOARD CHARGER - 25 AMP	1	7695271	CARBON BRUSH - DRIVE WHEEL	4
6495701	120V ONBOARD CHARGER CORD	1	7692911	CONTROLLER TO DRIVE MOTOR	1
6495711	240V ONBOARD CHARGER CORD	1	7693501	BRUSH MOTOR	1
0396271	TYPE I CORD (CHINA)	1	7692041	CARBON BRUSH - BRUSH MOTOR	4
6496451	FAST-ACTING FUSE 2 AMP	1	7694001	BRUSH SPEED INPUT WIRE	1
6496951	WIRE, SPD CNTRL/HR MTR	1	7694051	MACHINE CONTROL SYSTEM	1
7692621	SOLUTION SOLENOID VALVE	1	7694301	VAC MOTOR - INFIN-A-TEK	1
7690549	ACTUATOR MOTOR	2	7692651	AUXILIARY HARNESS TO CONTROL	1
7691211	LCD MODULE	1	7694361	WIRE, CONTROLLER TO SOLENOID	1
7691221	BACK UP ALARM	1	7694351	WIRE, C.B. TO CONTROLLER	1
7691621	WIRE C. BREAKER TO CONTROLLER	1	7695211	WIRING ANDERSON TO +/- BATTERY	1
7691631	PUSH BUTTON SWITCH	2	7691829	OVERHEAD LIGHT KIT	1
7691641	EMERGENCY STOP TO KEY SWITCH	1	7691821	OVERHEAD LIGHT	1
7691651	WIRE CONTROLLER TO LCD	1	9123000	11" LONG WIRE TIE - PACK OF 5	1
7691671	WIRE CONTROLLER TO BRUSH	1	9123005	1/8 X 5-1/2 WIRE TIE - PACK OF 5	5

P3 INPUT / OUTPUT CONTROL CONNECTIONS

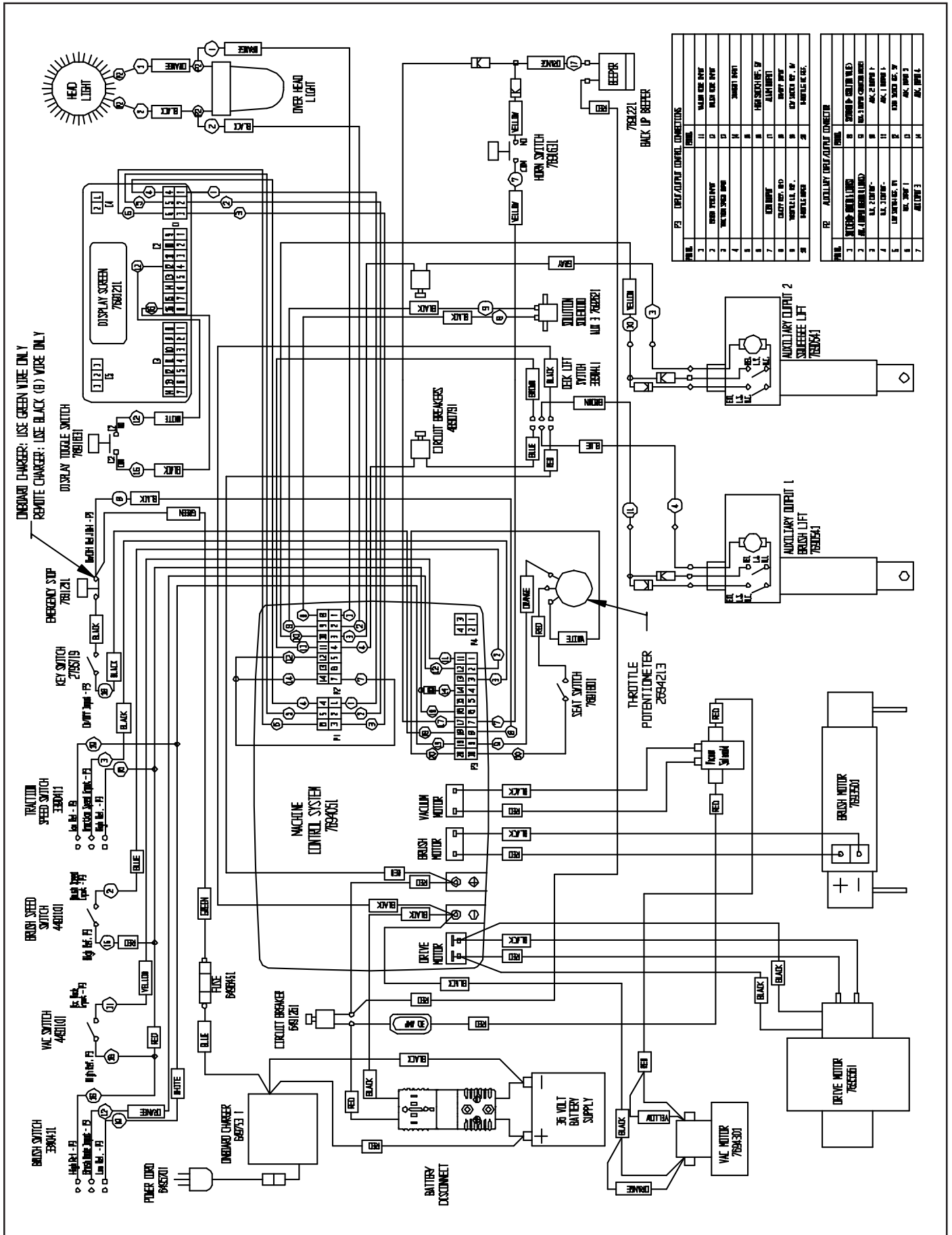
PIN NO.		PIN NO.	
1		11	VACUUM MODE INPUT
2		12	BRUSH MODE INPUT
3	TRACTION SPEED INPUT	13	
4		14	INHIBIT INPUT
5		15	
6		16	HIGH SWITCH REF 5V
7	HORN OUTPUT	17	ALARM OUTPUT
8	ON / OFF REF (B+)	18	ON / OFF INPUT
9	THROTTLE LD. REF	19	LOW SWITCH REF OV
10	THROTTLE WIPER	20	THROTTLE HI REF

P2 AUXILLARY INPUT / OUTPUT CONNECTOR

PIN NO.		PIN NO.	
1	SWITCH B+ (BEACON & LIGHTS)	8	SWITCHED B+ (SOLUTION VALVE)
2	AUX 4 OUTPUT (BEACON & LIGHTS)	9	AUX 3 OUTPUT (SOLUTION VALVE)
3	AUX 2 OUTPUT -	10	AUX 2 OUTPUT +
4	AUX 1 OUTPUT -	11	AUX 1 OUTPUT +
5	LOW SWITCH REF OV	12	HIGH SWITCH REF 5V
6	AUX INPUT 1	13	AUX INPUT 2
7	AUX INPUT 3	14	AUX INPUT 4

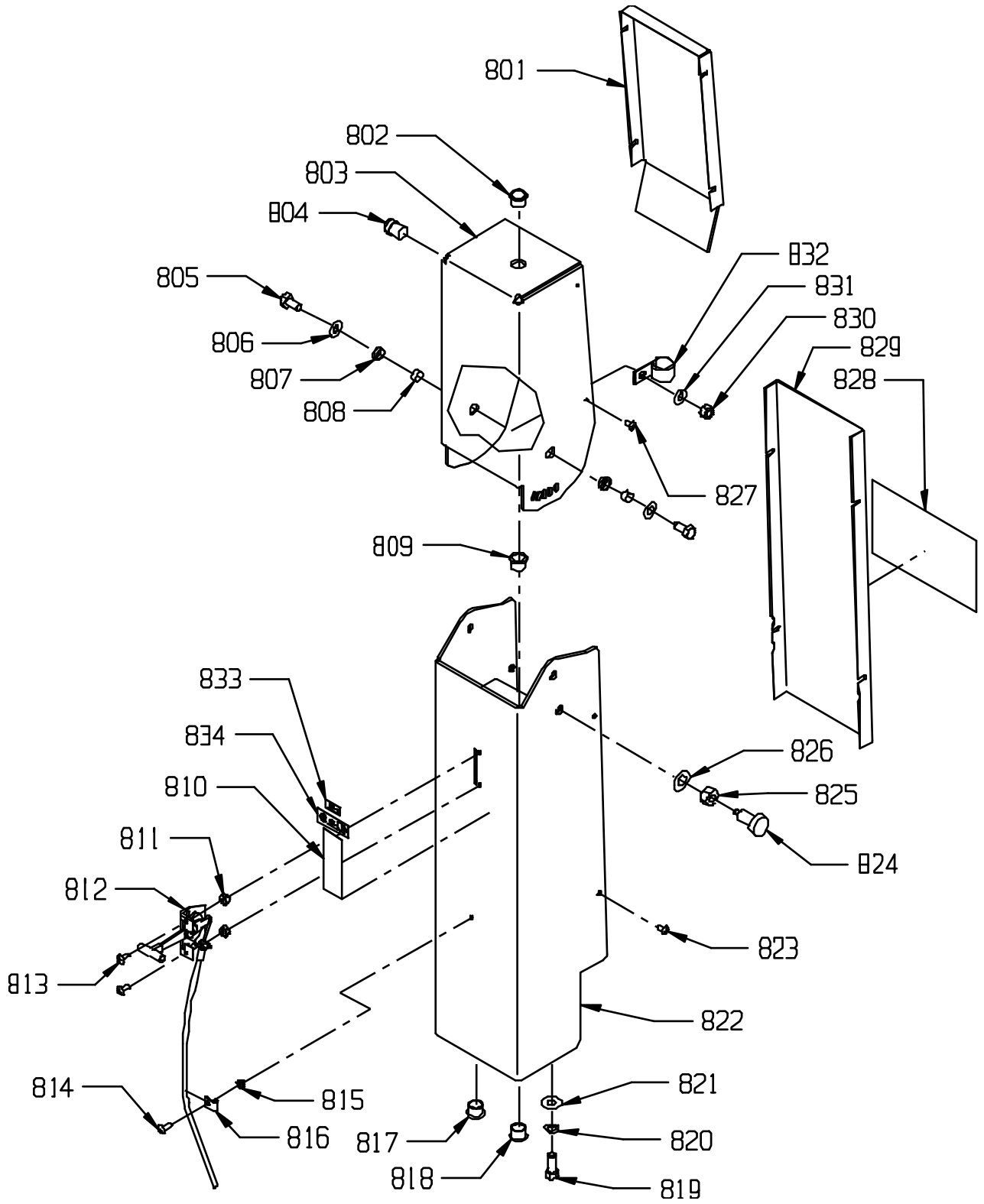


WIRING DIAGRAM



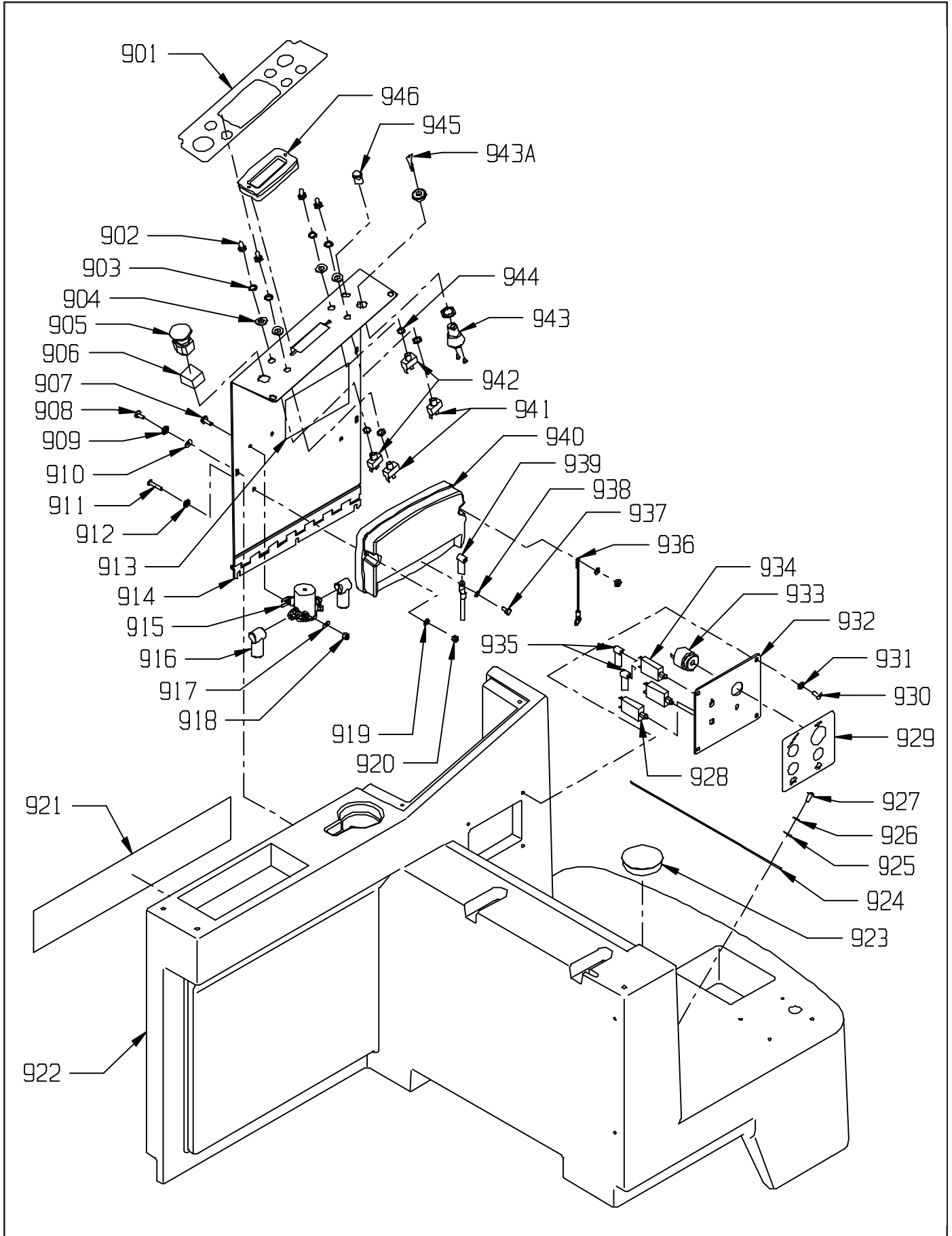
<u>ITEM</u>	<u>PART NO.</u>	<u>DESCRIPTION</u>	<u>QTY.</u>
801	7690743	TILT COLUMN COVER	1
802	2790761	BEARING, FLANGE FF-71	1
803	7690733	UPPER COLUMN	1
804	7691631	PUSH BUTTON SWITCH	1
805	9122300	3/8-16 X 1 1/4 HEX BOLT	2
806	9121400	3/8 I.D. X 7/8 O.D. X .064/.104 THICK WROUGHT WASHER (5/16)	2
807	7690691	NYLINER - STEERING TILT	2
808	2691181	PIVOT SPACER, STABILIZER BAR	2
809	2790761	BEARING, FLANGE FF-71	1
810	7692301	BLACK AND WHITE MINI KIT	1
811	9120360	10-24 HEX NUT WITH STAR LOCK WASHER	2
812	7691051	SOLUTION LEVER AND CABLE ASSEMBLY	1
813	9120420	10-24 X 5/8 ROUND HEAD PHILLIPS MACHINE SCREW	2
814	9120420	10-24 X 5/8 ROUND HEAD PHILLIPS MACHINE SCREW	1
815	9120360	10-24 HEX NUT WITH STAR LOCK WASHER	1
816	5294201	NYLON CABLE CLAMP	1
817	4890451	BUSHING, SNAP IN, #SB87511 HEYCO	1
818	2790761	BEARING, FLANGE FF-71	1
819	9122260	3/8-16 X 1 HEX BOLT	4
820	9122100	3/8 SPLIT LOCK WASHER	4
821	9121400	3/8 I.D. X 7/8 O.D. X .064/.104 THICK WROUGHT WASHER (5/16)	4
822	7692921	STEERING COLUMN - BASE	1
823	9120500	10-24 X 3/8 TRUSS HEAD PHILLIPS MACHINE SCREW	4
824	7690701	RETRACTABLE PLUNGER - TILT STEERING	1
825	9122680	1/2-13 HEX JAM NUT	1
826	9122450	17/32 I.D. X 1 1/16 O.D. X .074/.121 THICK SAE FLAT WASHER (1/2)	1
827	9120500	10-24 X 3/8 TRUSS HEAD PHILLIPS MACHINE SCREW	4
828	0393531	NSS LOGO DECAL 3.5 X 4.0	1
829	7690723	COVER - BASE	1
830	9122140	3/8-16 HEX NUT WITH NY-LOCK INSERT	2
831	9121400	3/8 I.D. X 7/8 O.D. X .064/.104 THICK WROUGHT WASHER (5/16)	2
832	2395761	CLAMP, TUBE	1
833	3394561	LABEL, MAX INCLINE	1
834	3394731	LABEL, MAX CLIMBING INCLINE	1

STEERING COLUMN ASSEMBLY



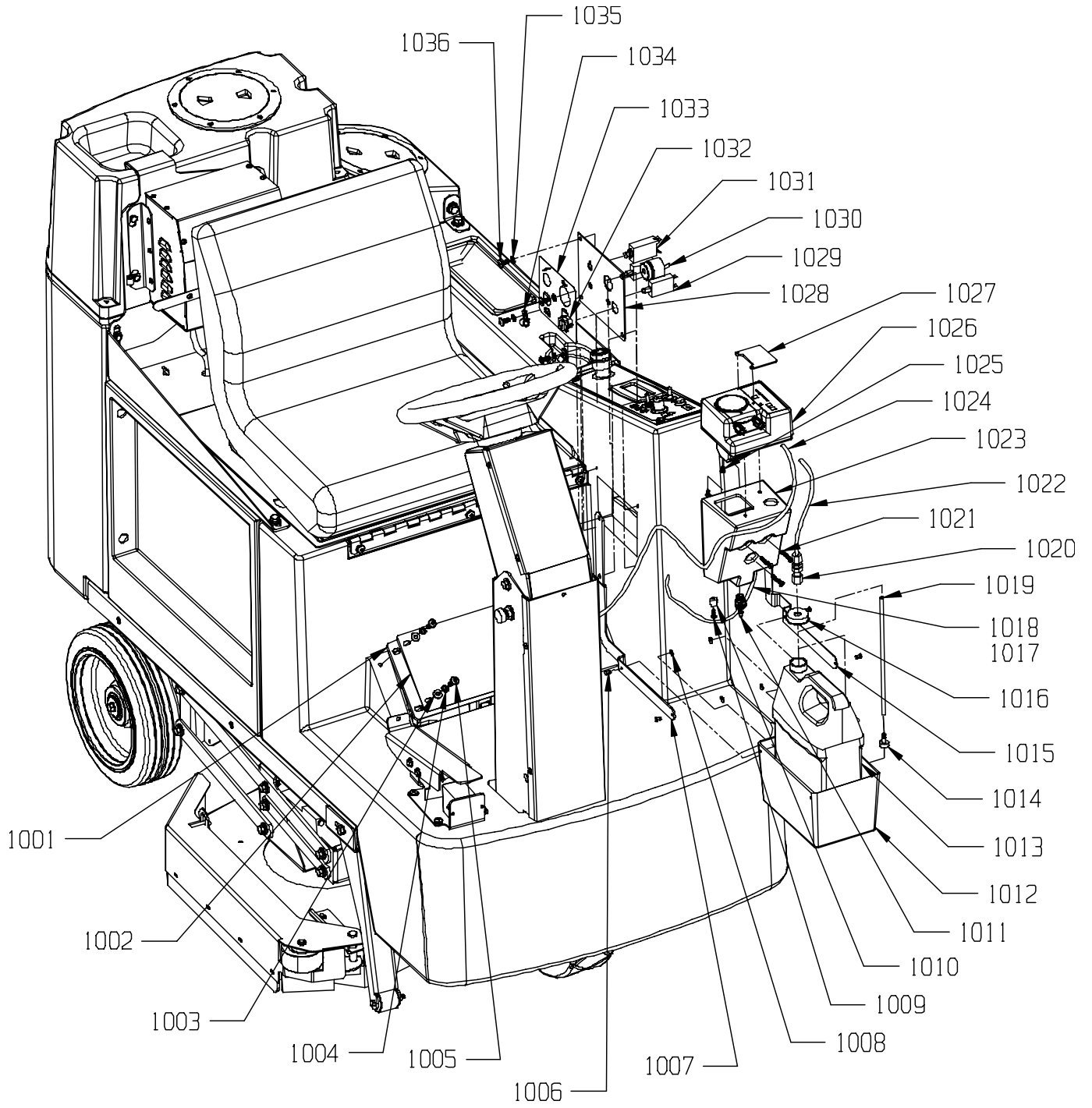
<u>ITEM</u>	<u>PART NO.</u>	<u>DESCRIPTION</u>	<u>QTY.</u>
901	7693751	CHAMP 35 CONTROL PANEL DECAL	1
902	0693141	RUBBER SWITCH BOOT	4
903	0691851	1/2" SWITCH LOCK WASHER	4
904	9122465	.516 I.D. X .813 O.D. X .027/.030 THICK FLAT WASHER	4
905	3393549	EMERGENCY STOP KIT	1
906	7691301	EMERGENCY STOP BLOCK	1
907	9121010	1/4-20 X 3/4 TRUSS HEAD PHILLIPS MACHINE SCREW	2
908	9121000	1/4-20 X 5/8 TRUSS HEAD PHILLIPS MACHINE SCREW	7
909	9120970	1/4 EXTERNAL STAR LOCK WASHER	7
910	9120930	9/32 I.D. X 5/8 O.D. X .051/.080 THICK SAE FLAT WASHER (1/4)	7
911	9120460	10-24 X 1 1/4 ROUND HEAD PHILLIPS MACHINE SCREW	2
912	9120330	#10 EXTERNAL STAR LOCK WASHER	2
913	7692941	3529 WIRING DIAGRAM DECAL	1
914	7694333	ELECTRICAL PANEL	1
915	2792021	CONTACTOR - SOLENOID	1
916	7692421	TERMINAL BOOT	2
917	9120930	9/32 I.D. X 5/8 O.D. X .051/.080 THICK FLAT WASHER (1/4)	2
918	9120900	1/4-20 HEX NUT WITH NY-LOCK INSERT	2
919	9120370	7/32 I.D. X 1/2 O.D. X .032/.065 THICK SAE FLAT WASHER (#10)	2
920	9120350	10-24 HEX NUT WITH NY-LOK INSERT	2
921	7692561	NSS LOGO DECAL - 3.5 X 20	1
922	7690011	SOLUTION TANK	1
923	6490791	PLUG 3"	1
924	7690123	ACTUATOR COVER PANEL	1
925	9120930	9/32 I.D. X 5/8 O.D. X .051/.080 THICK SAE FLAT WASHER (1/4)	4
926	9120970	1/4 EXTERNAL STAR LOCK WASHER	4
927	9121000	1/4-20 X 5/8 TRUSS HEAD PHILLIPS MACHINE SCREW	4
928	6491261	CIRCUIT BREAKER - 90 AMP	1
929	7692301	BLACK AND WHITE MINI KIT	1
930	9121000	1/4-20 X 5/8 TRUSS HEAD PHILLIPS MACHINE SCREW	4
931	9120970	1/4 EXTERNAL STAR LOCK WASHER	4
932	7692781	PANEL - CIRCUIT BREAKER	1
933	7691221	BACK UP ALARM	1
934	4890791	CIRCUIT BREAKER - 2 AMP	2
935	7692421	TERMINAL BOOT	2
936	7691731	GROUND WIRE	1
937	9120835	M6 X 12.7 HEX HEAD BOLT	2
938	9120970	1/4 EXTERNAL STAR LOCK WASHER	2
939	7692421	TERMINAL BOOT	1
940	7694051	MACHINE CONTROL SYSTEM - CHAMP ZS 35	1
941	3390411	FORWARD - REVERSE SWITCH	2
942	4491101	TOGGLE SWITCH, MOTOR	2
943	7692511	KEY SWITCH WITH KEY - INCLUDES:	1
943A	7692521	REPLACEMENT KEY FOR 7692511	1
944	0798821	5/8" HEX NUT (LARGE NUT)	4
945	7691631	PUSH BUTTON SWITCH	1
946	7691211	LCD MODULE	1

STANDARD ELECTRICAL PANEL ASSEMBLY



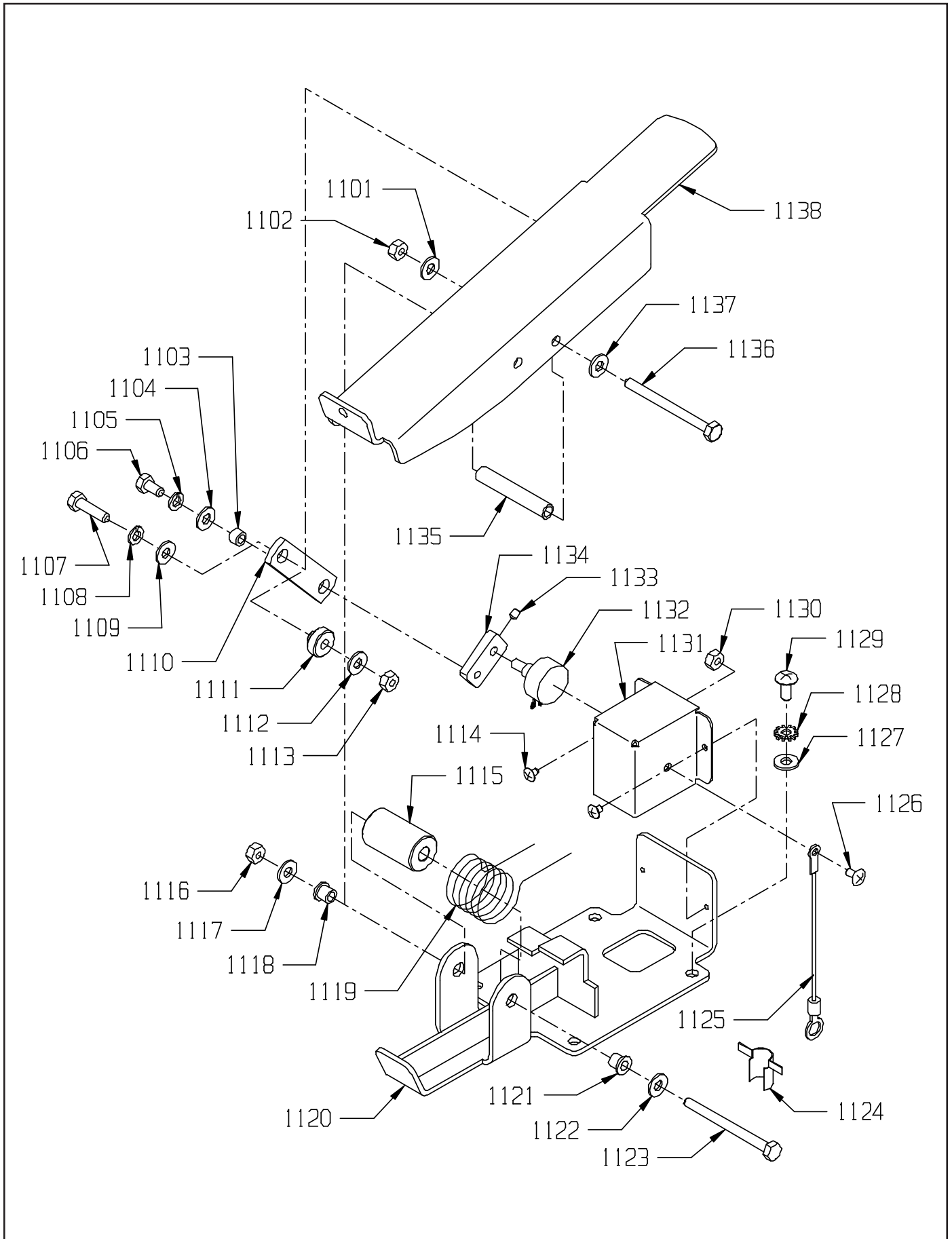
ITEM	PART NO.	DESCRIPTION	QTY.
1001	7692851	ACTUATOR COVER GASKET (SIDEKICK ONLY)	1
1002	7690123	ACTUATOR COVER PANEL	1
1003	9120930	9/32 I.D. X 5/8 O.D. X .051/.080 THICK SAE FLAT WASHER (1/4) - PACK OF 10	4
1004	9120970	1/4 EXTERNAL STAR LOCK WASHER - PACK OF 10	4
1005	9121020	1/4-20 X 1" TRUSS HEAD PHILLIPS MACHINE SCREW - PACK OF 5	4
1006	9120319	5/32 X 3/8 POP RIVET - PACK OF 5 (SIDEKICK ONLY)	4
1007	7692891	INNER BOTTLE HOLDER STRAP (SIDEKICK ONLY)	1
1008	9120185	5/32 ID BACKUP WASHER - PACK OF 6 (SIDEKICK ONLY)	4
1009	9120790	#10 X 5/8 PAN HEAD PHILLIPS SHEETMETAL SCREW - PACK OF 10 (SK ONLY)	1
1010	6793651	CABLE CLAMP (SIDEKICK ONLY)	1
1011	2693991	1/4 BARB X 1/4 NPT BULKHEAD FITTING (SIDEKICK ONLY)	1
1012	7692871	BOTTLE HOLDER (SIDEKICK ONLY)	1
1013	9590171	F-STYLE BOTTLE (OPTIONAL) (SIDEKICK ONLY)	1
1014	9590291	SUCTION STRAINER (SIDEKICK ONLY)	1
1015	7692881	OUTER BOTTLE HOLDER STRAP (SIDEKICK ONLY)	1
1016	9590271	38mm BOTTLE CAP (SIDEKICK ONLY)	1
1017	7693241	STRAIN RELIEF (SIDEKICK ONLY)	1
1018	7692861	SIDEKICK CABLE (SIDEKICK ONLY)	1
1019	9590321	1/4 OD NYLON TUBING - CUT TO LENGTH AS REQ'D (SIDEKICK ONLY)	1
1020	9590281	1/4 JACO BULKHEAD FITTING	1
1021	9120793	#10 X 1 1/2 PAN HEAD PHILLIPS SHEETMETAL SCREW (SK ONLY)	3
1022	9590321	1/4 OD NYLON TUBING X 12" LONG (SIDEKICK ONLY)	1
1023	7692791	SIDEKICK PUMP MOUNT (SIDEKICK ONLY)	1
1024	9590321	1/4 OD NYLON TUBING X 65" LONG (SIDEKICK ONLY)	1
1025	9120810	#10 X 1/2 PAN HEAD PHILLIPS SHEETMETAL SCREW - PACK OF 10 (SK ONLY)	2
1026	9590101	KIT, SIDEKICK CHEMICAL METERING	1
	9590211	REPLACEMENT CONTROL BOARD	1
	9590121	REPLACEMENT PUMP TOP HOUSING	1
	9590131	REPLACEMENT PUMP BOTTOM HOUSING	1
	9590311	REPLACEMENT SPINNER ASSY	1
	9590141	REPLACEMENT SQUEEZE TUBE WITH FITTINGS	1
	9590151	REPLACEMENT SQUEEZE TUBE COVER	1
1014	9590291	SUCTION STRAINER	1
1027	9590189	KIT, CONTROL COVER-SIDEKICK - OPTIONAL; INCLUDES	1
	3394261	DILUTION CONTROL COVER	1
	9590191	#6 X 1/2 TAMPERPROOF SCREW	2
	9590201	TAMPERPROOF SCREW TOOL	1
1028	7692781	CIRCUIT BREAK PANEL	1
1029	4890791	CIRCUIT BREAKER - 2 AMP	2
1030	7691221	BACK UP ALARM	1
1031	6491261	CIRCUIT BREAKER - 90 AMP	1
1032	7693241	STRAIN RELIEF (SIDEKICK ONLY)	1
1033	7692301	BLACK AND WHITE MINI KIT	1
1034	3291111	CORD CLAMP (SIDEKICK ONLY)	2
1035	9120970	1/4 EXTERNAL STAR LOCK WASHER - PACK OF 10	4
1036	9121000	1/4-20 X 5/8 TRUSS HEAD PHILLIPS MACHINE SCREW - PACK OF 10	4

SIDEKICK & ELECTRICAL PANEL ASSEMBLY



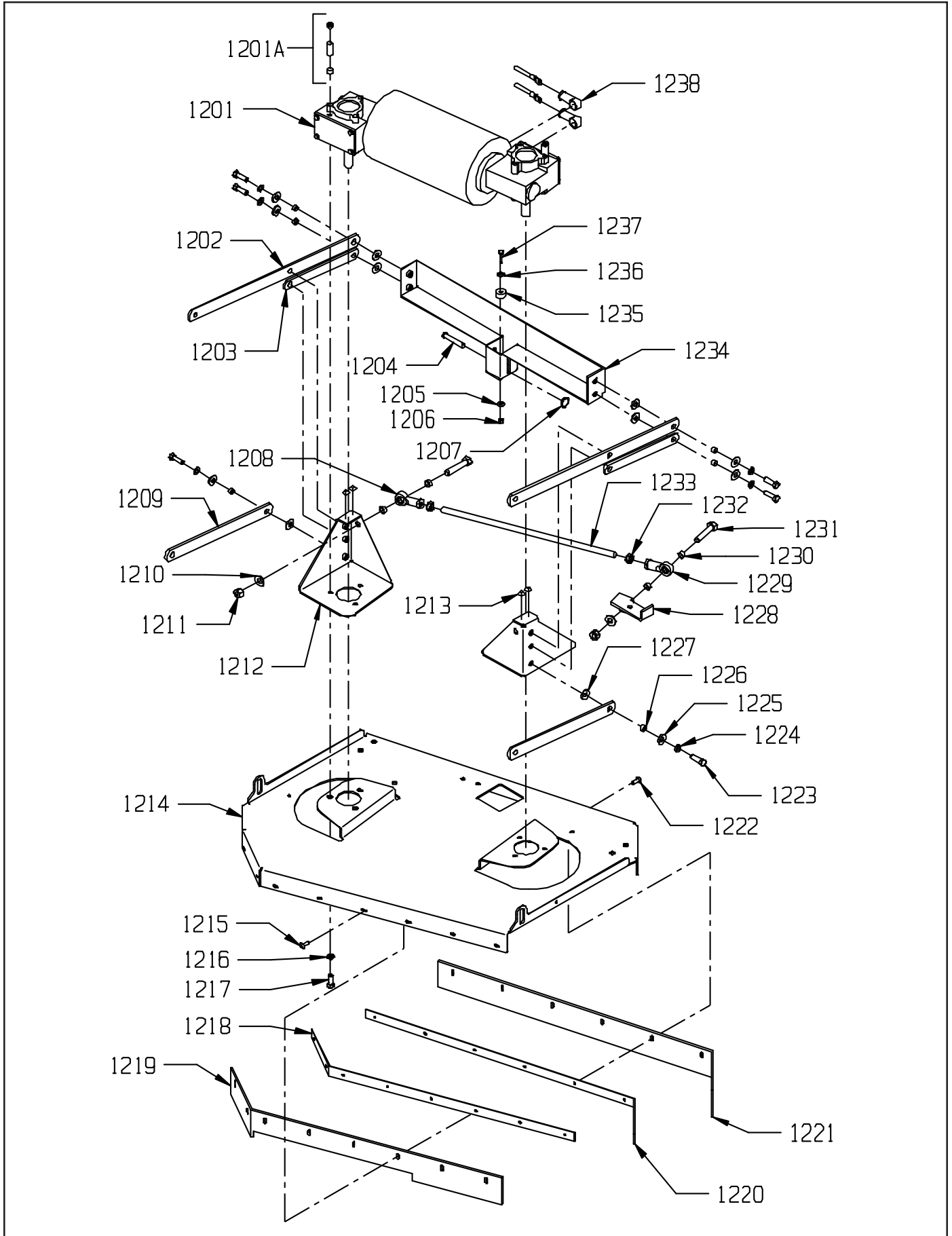
<u>ITEM</u>	<u>PART NO.</u>	<u>DESCRIPTION</u>	<u>QTY.</u>
1101	9120930	9/32 I.D. X 5/8 O.D. X .051/.080 THICK SAE FLAT WASHER (1/4) - PACK OF 10	1
1102	9120900	1/4-20 HEX NUT WITH NY-LOK INSERT - PACK OF 10	1
1103	2791281	BUSHING SPACER	1
1104	9120930	9/32 I.D. X 5/8 O.D. X .051/.080 THICK SAE FLAT WASHER (1/4) - PACK OF 10	1
1105	9120880	1/4 SPLIT LOCK WASHER - PACK OF 10	1
1106	9121210	1/4-20 X 5/8 HEX BOLT - PACK OF 10	1
1107	9121060	1/4-20 X 1 1/4 HEX BOLT - PACK OF 5	1
1108	9120880	1/4 SPLIT LOCK WASHER - PACK OF 10	1
1109	9120930	9/32 I.D. X 5/8 O.D. X .051/.080 THICK SAE FLAT WASHER (1/4) - PACK OF 10	1
1110	7690891	ACCELERATOR PEDAL ARM	1
1111	2691771	PIN, SKIRT LATCH	1
1112	9120930	9/32 I.D. X 5/8 O.D. X .051/.080 THICK SAE FLAT WASHER (1/4) - PACK OF 10	1
1113	9120900	1/4-20 HEX NUT WITH NY-LOK INSERT - PACK OF 10	1
1114	9120210	8-32 X 1/4 TRUSS HEAD PHILLIPS MACHINE SCREW - PACK OF 10	2
1115	7690811	GUIDE	1
1116	9120900	1/4-20 HEX NUT WITH NY-LOK INSERT - PACK OF 10	1
1117	9120930	9/32 I.D. X 5/8 O.D. X .051/.080 THICK SAE FLAT WASHER (1/4) - PACK OF 10	1
1118	7690801	1/4 I.D. X 3/8 O.D. X 3/8 LONG FLANGE BEARING - THROTTLE PEDAL	1
1119	7690821	TORSION SPRING - ACCELERATOR PEDAL	1
1120	7691961	PIVOT BRACKET - ACCELERATOR	1
1121	7690801	1/4 I.D. X 3/8 O.D. X 3/8 LONG FLANGE BEARING - THROTTLE PEDAL	1
1122	9120930	9/32 I.D. X 5/8 O.D. X .051/.080 THICK SAE FLAT WASHER (1/4) - PACK OF 10	1
1123	9121350	1/4-20 X 3 HEX HEAD BOLT - PACK OF 3	1
1124	5095501	CORD CLAMP	1
1125	7691731	GROUND WIRE	1
1126	9120500	10-24 X 3/8 TRUSS HEAD PHILLIPS MACHINE SCREW - PACK OF 10	1
1127	9120930	9/32 I.D. X 5/8 O.D. X .051/.080 THICK SAE FLAT WASHER (1/4) - PACK OF 10	4
1128	9120970	1/4 EXTERNAL STAR LOCK WASHER - PACK OF 10	4
1129	9121000	1/4-20 X 5/8 TRUSS HEAD PHILLIPS MACHINE SCREW - PACK OF 5	1
1130	9120350	10-24 HEX NUT WITH NY-LOK INSERT - PACK OF 10	1
1131	7690851	COVER - POTENTIOMETER	1
1132	2694131	POTENTIOMETER - CURTIS SPEED CONTROL	1
1133	9120225	8-32 X 1/4 SET SCREW - KNURL POINT - ALLOY - PACK OF 10	1
1134	7690881	POTENTIOMETER ARM	1
1135	7691951	ACCELERATOR SPRING SPACER	1
1136	9121350	1/4-20 X 3 HEX HEAD BOLT - PACK OF 3	1
1137	9120930	9/32 I.D. X 5/8 O.D. X .051/.080 THICK SAE FLAT WASHER (1/4) - PACK OF 10	1
1138	7690833	PEDAL - ACCELERATOR	1

ACCELERATOR PEDAL ASSEMBLY



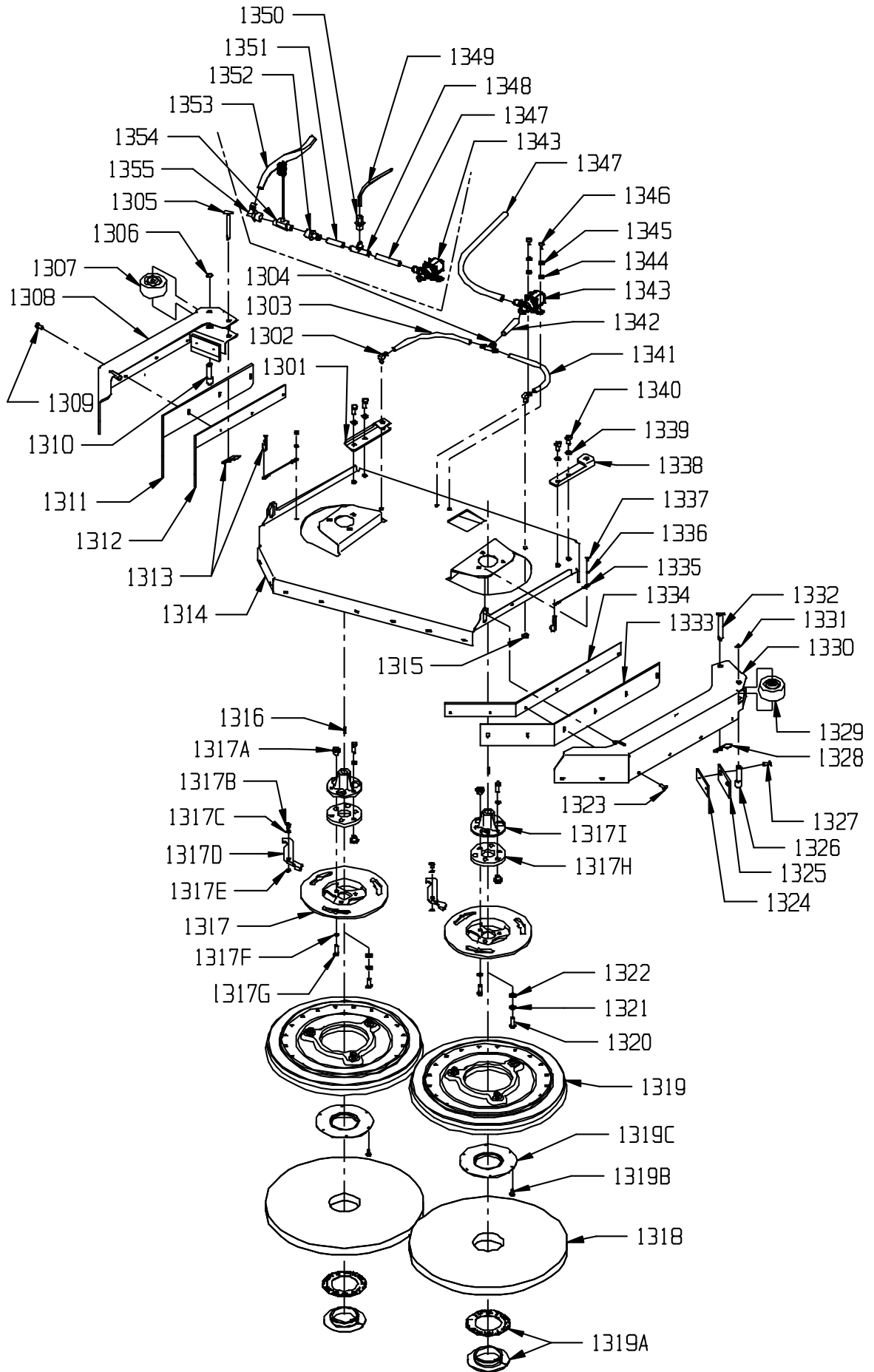
<u>ITEM</u>	<u>PART NO.</u>	<u>DESCRIPTION</u>	<u>QTY.</u>
1201	7693501	BRUSH MOTOR - INCLUDES:	1
	7691841	BRUSH MOTOR GEAR BOX	2
	7692041	REPLACEMENT CARBON BRUSH - BRUSH MOTOR	4
1201A	7691771	BRUSH MOTOR BREATHER ASSEMBLY	2
1202	7693611	MAIN LIFT BAR	2
1203	7693631	FRONT STABILIZER BAR	2
1204	7690311	3/8" DIAMETER X 2.505" LONG CLEVIS PIN	1
1205	9120930	9/32 I.D. X 5/8 O.D. X .051/.080 THICK SAE FLAT WASHER (1/4) - PACK OF 10	1
1206	9120900	1/4-20 HEX NUT WITH NY-LOK INSERT - PACK OF 10	1
1207	2392561	CIRCLE COTTER	1
1208	2391941	BALL JOINT	1
1209	7693621	REAR STABILIZER BAR	2
1210	9122400	1/2 I.D. X 1 3/32 O.D. X .074/.121 THICK FLAT WASHER (7/16) - PACK OF 10	2
1211	9122495	1/2-13 HEX NUT WITH NY-LOK INSERT - THIN - PACK OF 1	2
1212	7693601	BRUSH MOTOR MOUNT	2
1213	2392261	BUMPER BUTTON	4
1214	7693553	BRUSH MOTOR PLATE	1
1215	9120510	10-24 X 1/2 TRUSS HEAD PHILLIPS MACHINE SCREW - PACK OF 10	8
1216	9121520	5/16 SPLIT LOCK WASHER - PACK OF 10	6
1217	9122260	3/8-16 X 1 HEX BOLT - PACK OF 2	6
1218	7693591	REAR SKIRT RUBBER SECURING STRAP	1
1219	7693581	REAR SKIRT RUBBER	1
1220	7693571	FRONT SKIRT RUBBER SECURING STRAP	1
1221	7693561	FRONT SKIRT RUBBER	1
1222	9120510	10-24 X 1/2 TRUSS HEAD PHILLIPS MACHINE SCREW - PACK OF 10	8
1223	9122300	3/8-16 X 1 1/4 HEX BOLT - PACK OF 2	14
1224	9122100	3/8 SPLIT LOCK WASHER - PACK OF 10	14
1225	9121400	3/8 I.D. X 7/8 O.D. X .064/.104 THICK WROUGHT WASHER (5/16) - PACK OF 10	14
1226	2691181	PIVIOT SPACER, STABILIZER BAR	14
1227	9121400	3/8 I.D. X 7/8 O.D. X .064/.104 THICK WROUGHT WASHER (5/16) - PACK OF 10	14
1228	7693911	PANHARD ROD MOUNT	1
1229	2391941	BALL JOINT	1
1230	2391461	BUSHING	4
1231	9122580	1/2-13 X 2 HEX BOLT - PACK OF 1	2
1232	9122670	1/2-20 HEX JAM NUT - PACK OF 5	2
1233	7693921	PANHARD ROD	1
1234	7693743	FRONT LIFT BAR	1
1235	7691361	ACTUATOR SPRING GUIDE	1
1236	9120930	9/32 I.D. X 5/8 O.D. X .051/.080 THICK SAE FLAT WASHER (1/4) - PACK OF 10	1
1237	9121270	1/4-20 X 1 HEX BOLT - PACK OF 10	1
1238	6492051	STUD TERMINAL BOOT - RUBBER	2

UPPER BRUSH DRIVE ASSEMBLY



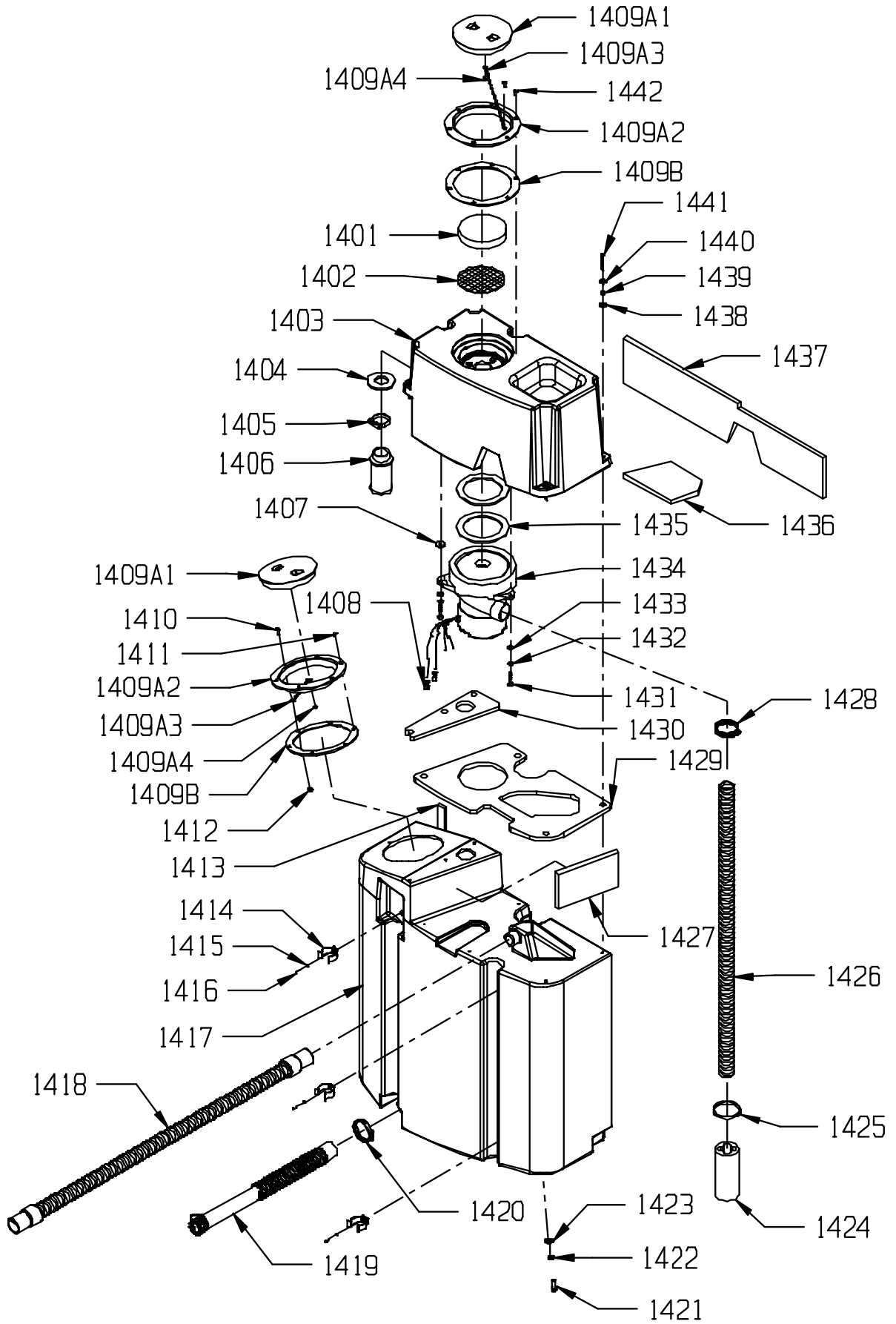
<u>ITEM</u>	<u>PART NO.</u>	<u>DESCRIPTION</u>	<u>QTY.</u>
1301	7690481	SKIRT MOUNT BRACKET - LEFT HAND	1
1302	5092630	90 DEGREE SOLUTION FEED TUBE	2
1303	8791070	HOSE - VINYL 3/8" I.D. X 1/2" O.D. (CUT TO 6")	.5
1304	7691371	TEE - 3/8 X 3/8 X 1/2	1
1305	9122685	1/2 X 2 7/8 CLEVIS PIN	1
1306	9122496	RETAINING RING - PACK OF 8	1
1307	2790281	BUMPER WHEEL	1
1308	7693683	LEFT SIDE SKIRT	1
1309	9120510	10-24 X 1/2 TRUSS HEAD PHILLIPS MACHINE SCREW - PACK OF 10	6
1310	7690941	BUMPER WHEEL AXLE	1
1311	7693691	LEFT SIDE SKIRT BLADE	1
1312	7693701	LEFT SIDE SKIRT STRAP	1
1313	7690491	#6 HAIR COTTER PIN	2
1314	7693553	BRUSH MOTOR PLATE	1
1315	5092641	RETAINING RING	2
1316	9120827	3/6" SQUARE X 1" LONG KEY - PACK OF 2	2
1317	7691449	LEFT DRIVE CASTING ASSEMBLY - INCLUDES:	1
	7691459	RIGHT DRIVE CASTING ASSEMBLY - INCLUDES:	1
	2698072	DRIVE CASTING	1
1317A	2698081	DRIVE LUG	6
1317B	9121090	1/4-20 X 1/2 TRUSS HEAD PHILLIPS MACHINE SCREW - PACK OF 5	1
1317C	2791281	BUSHING SPACER	1
1317D	2790211	DRIVE PLATE LATCH	1
1317E	9122120	3/8 I.D. X 5/8 O.D. X .031 THICK WAVE SPRING WASHER - PACK OF 5	1
1317F	9121520	5/16 SPLIT LOCK WASHER - PACK OF 10	6
1317G	9121680	5/16-18 X 1 HEX BOLT - PACK OF 5	6
1317H	2698061	RUBBER MOUNT	1
1317I	7691382	DRIVE HUB	1
1318	-----	PAD - SEE ACCESSORIESS PAGE FOR TYPES	2
1319	7693511	PAD DRIVER 18" - INCLUDES:	2
1319C	2795241	PAD HOLDER ASSEMBLY - INCLUDES:	1
1319A	2795231	SPLIT RETAINER - PAD HOLDER RING	1
1319B	9120140	#6 X 5/8 PAN HEAD PHILLIPS SHEET METAL SCREW	3
1319	-----	SCRUB BRUSH - SEE ACCESSORIESS PAGE FOR TYPES	2
1320	9121680	5/16-18 X 1 HEX BOLT - PACK OF 5	2
1321	9121520	5/16 SPLIT LOCK WASHER - PACK OF 10	2
1322	9121985	13/32 I.D. X 1 O.D. X .12 THICK FLAT WASHER (11 GAGE) - PACK OF 1	2
1323	9120510	10-24 X 1/2 TRUSS HEAD PHILLIPS MACHINE SCREW - PACK OF 10	6
1324	1392961	INSIDE SPLASH GUARD STRAP	2
1325	7694021	SIDE SKIRT FRONT BLADE	2
1326	7690941	BUMPER WHEEL AXLE	1
1327	9120510	10-24 X 1/2 TRUSS HEAD PHILLIPS MACHINE SCREW - PACK OF 10	4
1328	7690491	#6 HAIR COTTER PIN	2
1329	2790281	BUMPER WHEEL	1
1330	7693653	RIGHT SIDE SKIRT	1
1331	9122496	RETAINING RING - PACK OF 8	1
1332	9122685	1/2 X 2 7/8 CLEVIS PIN	1
1333	7693661	RIGHT SIDE SKIRT BLADE	1
1334	7693671	RIGHT SIDE SKIRT STRAP	1
1335	7691331	LANYARD	2
1336	9120320	#10 SPLIT LOCK WASHER - PACK OF 10	2
1337	9120380	10-24 X 3/8 ROUND HEAD PHILLIPS MACHINE SCREW - PACK OF 10	2
1338	7690471	SKIRT MOUNT BRACKET - RIGHT HAND	1
1339	9122100	3/8 SPLIT LOCK WASHER - PACK OF 10	4
1340	9122220	3/8-16 X 3/4 HEX BOLT - PACK OF 5	4
1341	8791070	HOSE - VINYL 3/8" I.D. X 1/2" O.D. (CUT TO 12")	1
1342	8791180	HOSE - VINYL 1/2" I.D. X 3/4" O.D. (CUT TO 2 ")	.2
1343	7692621	SOLUTION SOLENOID VALVE	1
1344	9120930	9/32 I.D. X 5/8 O.D. X .051/.080 THICK SAE FLAT WASHER (1/4) - PACK OF 10	1
1345	9120970	1/4 EXTERNAL STAR LOCK WASHER - PACK OF 10	2
1346	9121090	1/4-20 X 1/2 TRUSS HEAD PHILLIPS MACHINE SCREW - PACK OF 5	2
1347	8791180	HOSE - VINYL 1/2" I.D. X 3/4" O.D.(CUT TO 18")	1.5
	8791180	HOSE - VINYL 1/2" I.D. X 3/4" O.D. (CUT TO 2 1/2") (SIDEKICK ONLY)	.2
1348	9590161	FITTING TEE (SIDEKICK ONLY)	1
1349	9590321	TUBING, 1/4" O.D. NYLON (65" LONG) (SIDEKICK ONLY)	1
1350	9590221	FITTING, JACO, 1/4" NPT X 1/4" O.D. TUBE (SIDEKICK ONLY)	1
1351	8791180	HOSE - VINYL 1/2" I.D. X 3/4" O.D. (CUT TO 2 ") (SIDEKICK ONLY)	.2
1352	3394281	FITTING, 3/8" FPT X 1/2" O.D. HOSE (SIDEKICK ONLY)	1
1353	8791180	HOSE - VINYL 1/2" I.D. X 3/4" O.D.(CUT TO 8 3/8") (SIDEKICK ONLY)	.7
1354	3394251	FLOW SENSOR WITH CONNECTOR (SIDEKICK ONLY) - INCLUDES:	1
	3394291	CONNECTOR, FEMALE (SIDEKICK ONLY)	1
	3394311	TERMINAL, FEMALE (SIDEKICK ONLY)	3
1355	7692841	FITTING, 90° ELBOW, 3/8" FPT X 1/2" O.D. HOSE (SIDEKICK ONLY)	1

LOWER BRUSH DRIVE ASSEMBLY



<u>ITEM</u>	<u>PART NO.</u>	<u>DESCRIPTION</u>	<u>QTY.</u>
1401	7690791	VAC MOTOR FILTER	1
1402	7690781	VAC MOTOR SCREEN	1
1403	7693861	VAC MOTOR COVER	1
1404	7691351	GASKET - 1 1/2" I.D. X 3" O.D.	1
1405	4894081	NYLON HOSE CLAMP - 1 19/32" TO 1 13/16" DIAMETER	1
1406	2391541	FLOAT SCREEN ASSEMBLY	1
1407	7694381	VACUUM MOTOR SPACER	3
1408	2690581	1/4 SPADE MALE TERMINAL 10 X 12 YELLOW	2
1409	2690889	RECOVERY TANK LID ASSEMBLY - INCLUDES:	1
1409A	2690881	RECOVERY TANK LID ASSEMBLY - INCLUDES:	1
1409A1	2690911	LID - CLEAR	1
1409A2	2690921	BLACK RING, RECOVERY TANK	1
1409A3	2690931	LID CHAIN, RECOVERY TANK	1
1409A4	9120205	#8 X 1/2 PAN HEAD PHILLIPS SHEET METAL SCREW	1
1409B	2690891	RECOVERY TANK LID GASKET	1
1410	9120450	10-24 X 1 ROUND HEAD PHILLIPS MACHINE SCREW	1
1411	9120790	10 X 5/8 PAN HEAD PHILLIPS SHEET METAL SCREW	5
1412	9120350	10-24 HEX NUT WITH NY-LOK INSERT	1
1413	8891180	GASKET - 1" X 1/4"	2
1414	7691921	SPRING CLIP - HOSE	3
1415	9120030	#6 SPLIT LOCK WASHER	6
1416	9120070	6-32 X 3/8 ROUND HEAD PHILLIPS MACHINE SCREW	6
1417	7690021	RECOVERY TANK	1
1418	7690951	VACUUM HOSE WITH CUFFS	1
1419	7695341	DRAIN HOSE, RECOVERY TANK	1
1420	4495441	HOSE CLAMP - 1 9/16" TO 2 1/4" DIAMETER	1
1421	9122220	3/8-16 X 3/4 HEX HEAD BOLT	2
1422	9122100	3/8 SPLIT LOCK WASHER	2
1423	9121400	3/8 I.D. X 7/8 O.D. X .064/.104 THICK WROUGHT WASHER (5/16)	2
1424	7691261	EXHAUST MUFFLER TUBE	1
1425	9123000	1/8 X 11" WIRE TIE	1
1426	7693901	FLEXIBLE VACUUM MOTOR DISCHARGE HOSE	1
1427	7693871	VAC COVER INSULATION - SIDE - SMALL	1
1428	4495441	HOSE CLAMP - 1 9/16" TO 2 1/4" DIAMETER	1
1429	7694311	SPACER GASKET ONE, INFIN-A-TEK	1
1430	7694321	SPACER GASKET TWO, INFIN-A-TEK	1
1431	9121280	1/4-20 X 1 1/2 HEX BOLT	3
1432	9120880	1/4 SPLIT LOCK WASHER	3
1433	9120930	9/32 I.D. X 5/8 O.D. X .051/.080 THICK FLAT WASHER (1/4)	2
1434	7694301	VACUUM MOTOR, INFIN-A-TEK	1
1435	2490561	GASKET - VAC MOTOR	2
1436	7693891	VAC COVER INSULATION - TOP	1
1437	7693881	VAC COVER INSULATION - SIDE - LARGE	1
1438	9120933	.250 I.D. X .875 O.D. X .075 THICK FLAT WASHER	6
1439	9120370	7/32 I.D. X 1/2 O.D. X .032/.065 THICK	6
1440	9120330	#10 EXTERNAL STAR LOCK WASHER	6
1441	9120490	10-24 X 2 ROUND HEAD PHILLIPS MACHINE SCREW	6
1442	9120790	10 X 5/8 PAN HEAD PHILLIPS SHEET METAL SCREW	6

RECOVERY TANK



NOTES

NOTES

ACCESSORIES



- PART NO. DESCRIPTION**
 7991901 18" BLACK STRIP PAD - CASE 5
 7991911 18" GREEN SCRUB PAD - CASE 5
 7991921 18" UHS CLEANBUFF PAD - CASE 5
 7991941 18" ULTRA HAIR HARD FINISH PAD - CASE 5

SCRUB BRUSH

- 7693521 18" POLY BLOCK NYLON BRUSH
 7693531 18" POLY BLOCK STRATAGRIT BRUSH
 7693541 18" POLY BLOCK SCRUB GRIT BRUSH

TWISTER PADS

- 7990841 18" TWISTER STARTER KIT
 7991841 18" TWISTER RED PAD
 7991831 18" TWISTER WHITE PAD
 7991821 18" TWISTER YELLOW PAD
 7991811 18" TWISTER GREEN PAD



- 5990731 SPRING CLIP PAD HOLDER SET

- 7691829 OVERHEAD LIGHT KIT
 7692031 STROBE LIGHT BULB



- 2691501 BATTERY - 350AMP HOUR - 6 VOLT DC - WET
 7691421 BATTERY - 430 AMP HOUR - 6 VOLT DC - DRY
 3390991 BATTERY - 305 AMP HOUR - 6 VOLT DC - AGM



- 7692181 LOW WATER BATTERY ALARM
 7694071 OFF BOARD CHARGER ADAPTOR



- 2392129 WET PICKUP KIT, INCLUDES:
 2291211 5" CONNECTOR, ALUMINUM
 2391231 VACUUM HOSE, 7 FOOT
 2391241 HOSE STRAP
 5797011 TOOL - SQUEEGEE WITH WHEELS - 15"
 5790469 WAND SET 1 1/2 - INCLUDES
 5790471 LOWER WAND - 1 1/2"
 5790481 UPPER WAND - 1 1/2"



- 2392179 BRUSH / SQUEEGEE KIT, INCLUDES:
 2291211 5" CONNECTOR, ALUMINUM
 2290209 STEEL WAND, 1 PIECE
 2391231 VACUUM HOSE, 7 FOOT
 3097849 14" BRUSH / SQUEEGEE TOOL



NSS ® Enterprises, Inc.

3115 Frenchmens Road, Toledo, Ohio 43607
 PHONE (419) 531-2121 FAX (419) 531-3761
NSS® Enterprises, Inc. European Distribution Centre
 Unit II, Pinfold Trading Estate * 55 Nottingham Road
 STAPLEFORD, NOTTINGHAM NG9 8AD ENGLAND U.K.
 PHONE: (44) 0115 939 1568 * FAX: (44) 0115 949 0615