

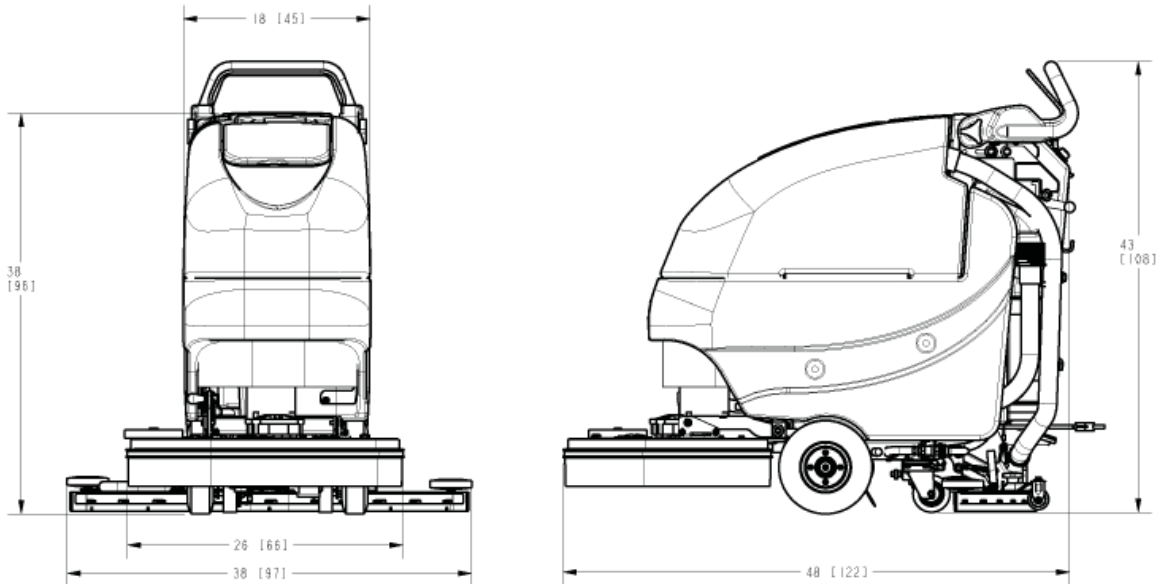


Parts Manual
E26 ECO Sport Floor Scrubber
Traction Drive Disc

Model **26ECO Sport Traction Drive Disc**

Model No. E26ECOS / E26ECOSQP / E26ECOSQPG / E26ECOSQPT

Current (Max)	40 amps
Battery Capacity (Lead Acid)	140Ah @20 hr
Battery Capacity (AGM)	100Ah @20 hr
Sound Level	69 dBA
Cleaning path width	26 in (65 cm)
Squeegee width	38 in (95 cm)
Productivity	30,810 ft ² /hr (2830 m ² /hr)
Working Speed	2.7 mph (4.3 km per hr)
Transport Speed	2.7 mph (4.3 km per hr)
Rated voltage	24 volts
Vacuum flow	65 cfm (110 m ³ /hr)
Vacuum waterlift	45 inches (112mbar)
Vacuum power	.60 HP (450 W)
Brush type	Disc
Brush motor(s) power	3/4 HP (550W)
Number of brushes	2
Brush RPM	180 RPM
Solution capacity	12Gal (45 liters)
Recovery capacity	13 Gal (49 liters)
Working Grade	2%
Weight with batteries	370lbs (168 kg)
Weight without batteries	235 lbs (107 kg)
Dimensions (LxWxH)	48 x 26.0 x 38.0 (112.8 x 47.8 x 107.4 cm)
Drive Motor Power	1/5 HP (150W)

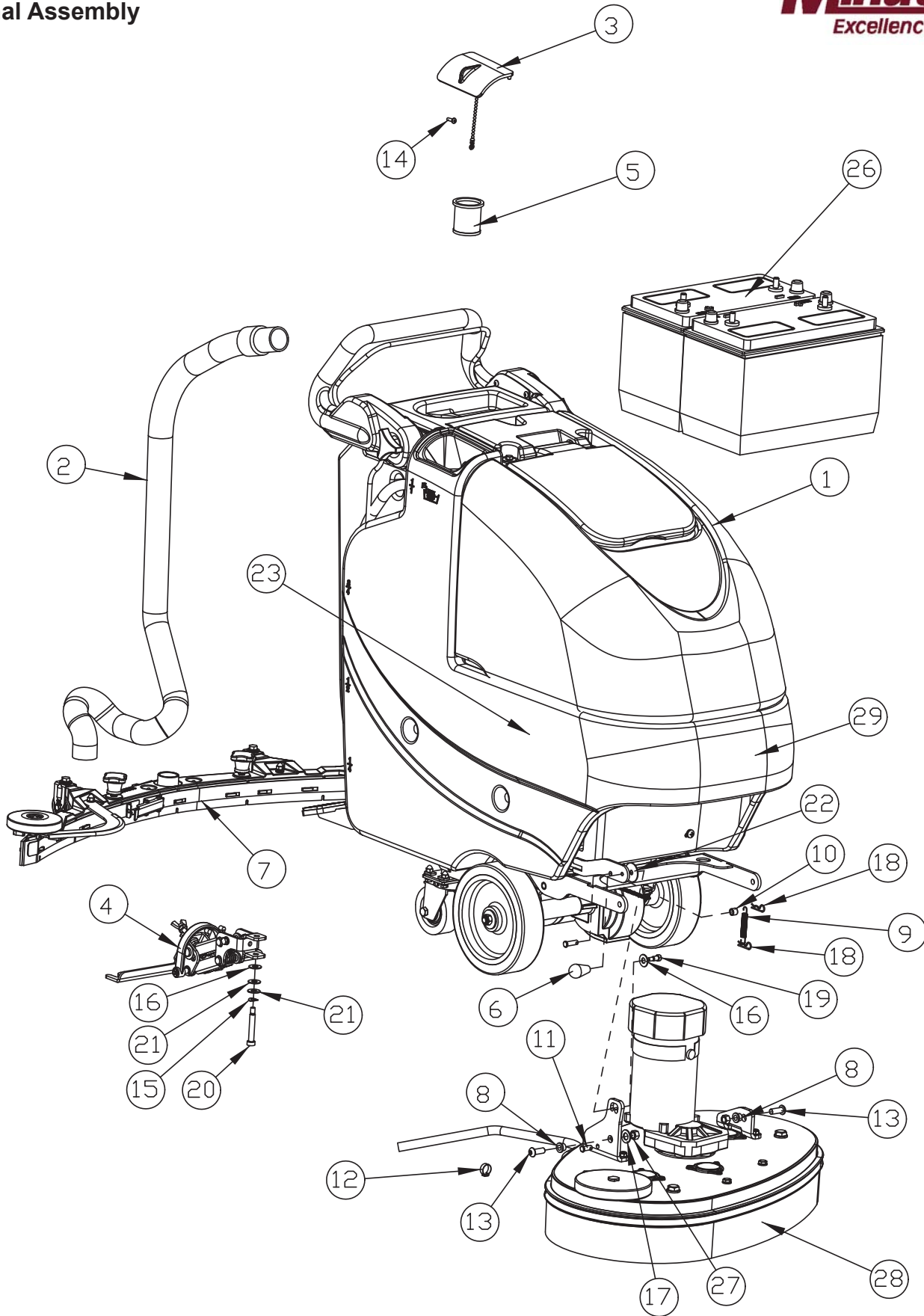


For Safety When Servicing or Maintaining Machine

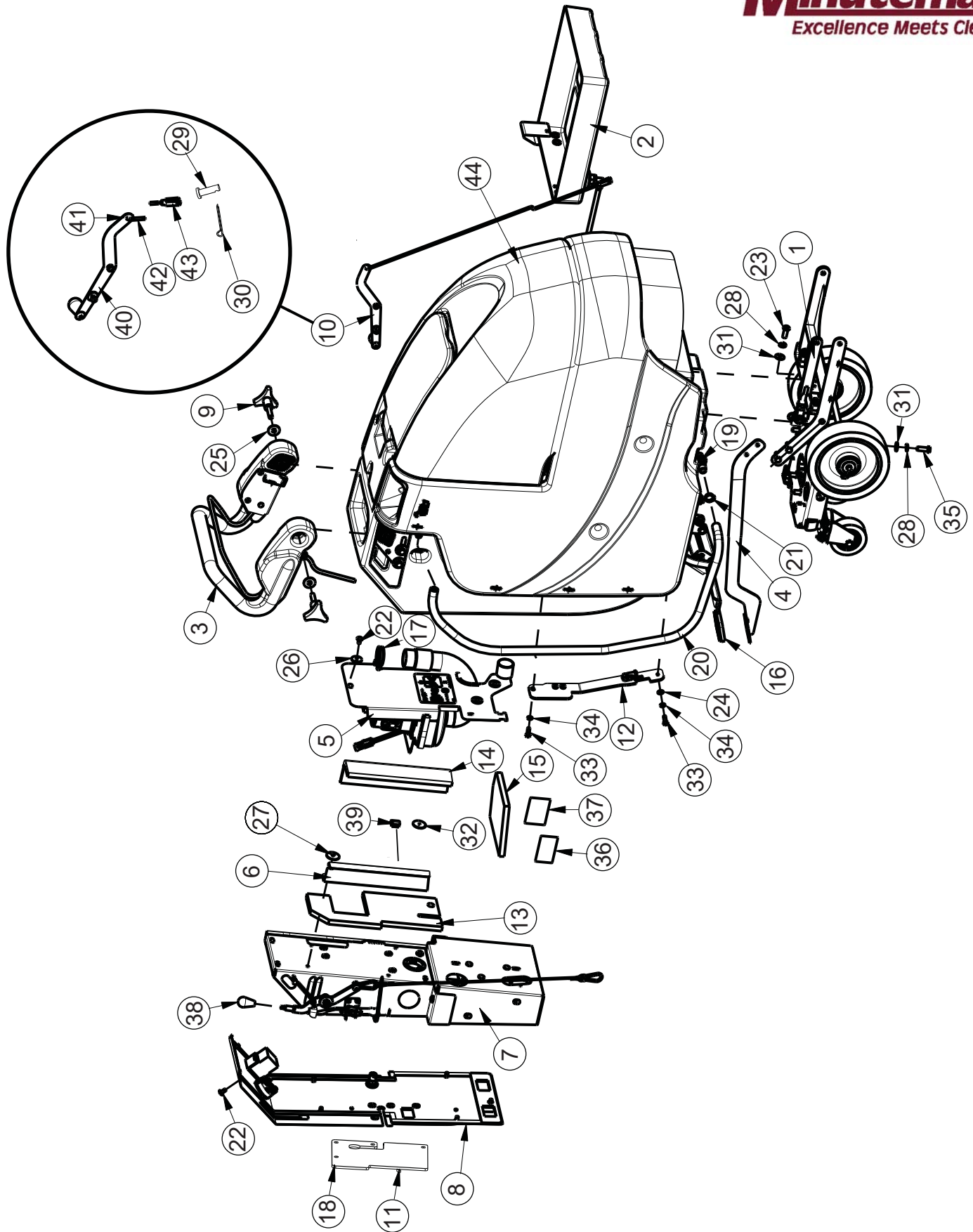
- Stop on level surface.
- Disconnect the power to the machine by pulling the red Battery Connector located under the recovery tank near the batteries.
- Avoid moving parts. Do not wear loose jackets, shirts, or sleeves when working on machine.
- Avoid contact with battery acid. Battery acid can cause burns. When working on or around batteries, wear protective clothing and safety glasses. Remove metal jewelry. Do not lay tools or metal objects on top of batteries.
- Do not clean machine with a pressure washer.
- Authorized personnel must perform repairs and maintenance. Use Minuteman supplied replacement parts.

Table of Contents

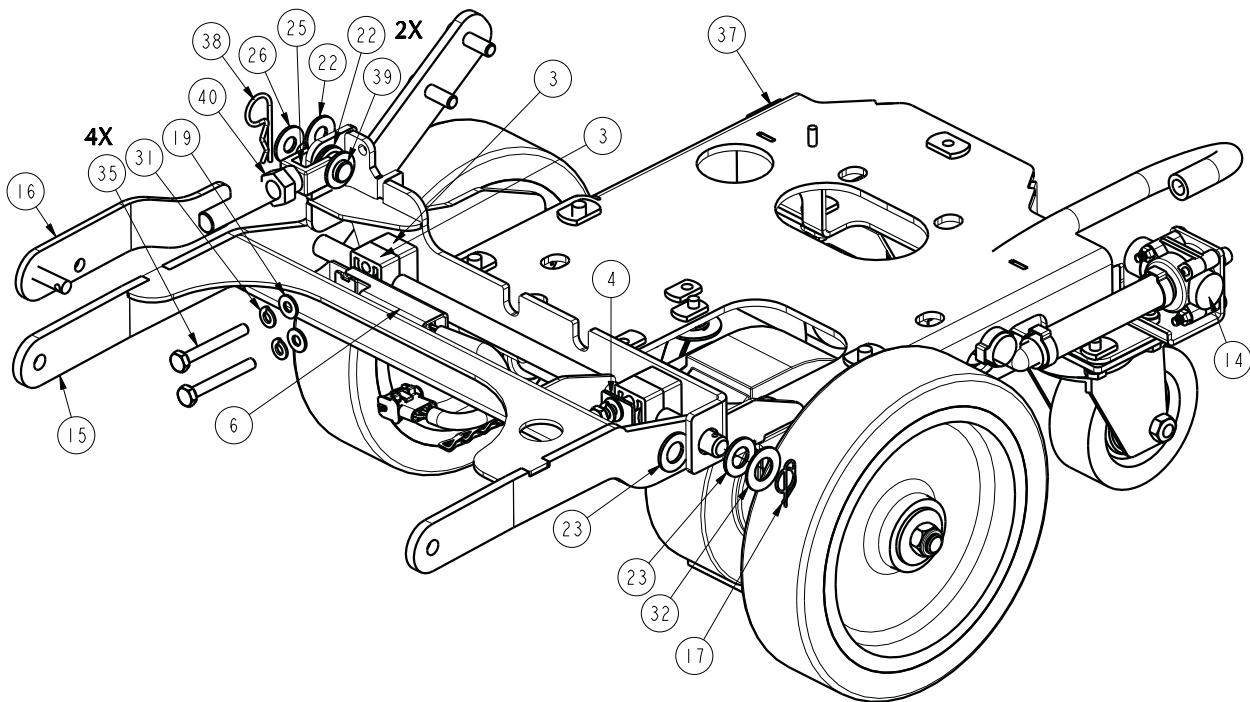
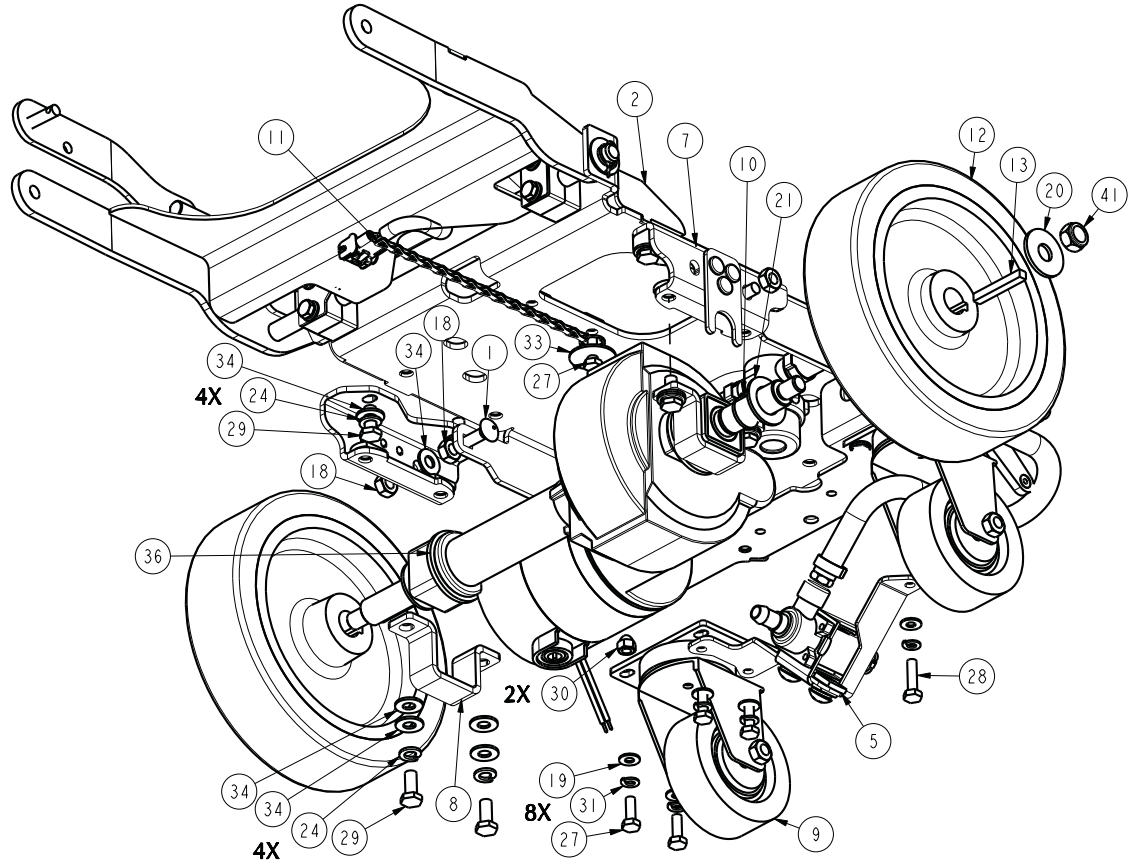
Technical Specifications	2
Final Assembly	4
Final Assembly BOM	5
Main Assembly	6
Main Assembly BOM	7
Chassis Assembly	8
Chassis Assembly BOM	9
Base Assembly	10
Solution Tank Assembly	11
Recovery Tank Assembly	12
Recovery Tank Assembly BOM	13
Handle Assembly	14
Handle Assembly BOM	15
Solenoid Assembly	16
Old Style - Solution Valve Assembly	17
New Style - Solution Valve Assembly	17
Solution Control Handle Assembly	18
Solution Control Handle Assembly BOM	19
Battery Tray Assembly	20
Electrical Box Assembly - Page 1	21
Electrical Box Assembly - Page 2	22
Electrical Box Assembly BOM	23
Electrical Panel Assembly	24
Electrical Panel Assembly BOM	25
Electrical Box Cover Assembly	26
Electrical Box Cover Assembly BOM	27
Vacuum Motor Assembly	28
Vacuum Motor Assembly BOM	29
Brush Deck	30
Brush Deck BOM	31
Vacuum Switch Assembly	32
Rear Squeegee Assembly	33
Rear Squeegee Assembly	34
Rear Squeegee Assembly	35
Squeegee Mechanism Assembly	36
Squeegee Mechanism Assembly BOM	37
Wiring Diagrams	38
Warranty	42



BILL OF MATERIAL				
ITEM	PART NO.	QTY	DESCRIPTION	NOTES
1	171010-ECO	1	BASE ASM	
2	172010	1	HOSE, CLEAR VAC W/ 90 CUFF	
3	172018	1	SOLUTION TANK LID ASSY	
4	172150	1	SQUEEGEE LIFT MECH ASSY	
5	172159	1	FILTER, FILL PORT , ES1720	
6	172423	1	KNOB, TAPERED 1/4-20	
7	172538	1	38" SQUEEGEE ASM, E26, E26ECO	
8	260066	2	OILITE BUSHING	
9	281047	1	SPRING, EXTENSION - 2.75"	
10	370058	1	BUSHING, .31 X .48X.385 SS	
11	450034	1	CLEVIS PIN, 5/16 X .75 LG	
12	450076	1	CLAMP-CRIMP 185R SS	
13	710995	2	SCR-SC 3/8-24 X 1.0 BHEAD ST PL	
14	711118	1	SCR-ST-A 10 X .75 SS	
15	711523	1	WSR-WAVE .37X .68 X .08	
16	711569	2	WSR-FLT .390 X .880 X .062 NYL	
17	711592	1	WSR-FLAT .506 X .9 X .064 NYL	
18	711808	2	COTTER PIN-HAIR #13	
19	712041	1	BLT- SHLDR .31 X .375 X 1/4-20	
20	712143	1	BLT-SHLD 3/8 X 2.0, 5/16-18	
21	712301	2	WSR-FLAT .37 X .87 X .06	
22	712759	1	WSR- FLT .31 X 1.37 X .06 SS	
23	715921	2	DECAL, E26ECO SPORT	
24	740164-1	1	JUMPER CABLE ASSY, RED 4G 12"	NOT SHOWN
25	747649	1	CABLE ASSY, BATTERY E17	NOT SHOWN
26	956140	2	BATTERY, 12V 140AH	
26G	956100	2	BATTERY-AGM 12V 100AH	
26T	956753	2	BATTERY WET 12V 130AH TROJAN	
27	3400067	2	NUT-HEX 3/8-24 ZP	
28	99711100	1	26ECO DISC BRUSH DECK	
29	715914W	1	DECAL, MINUTEMAN	
30	172008	1	SOLUTION TANK LID	COMPONENT OF ITEM 3
31	172123	1	CHAIN, BEADED SS W/EYELET S	COMPONENT OF ITEM 3
32	712145	1	SCR-MC 6-32 X .37 PPH SS	COMPONENT OF ITEM 3

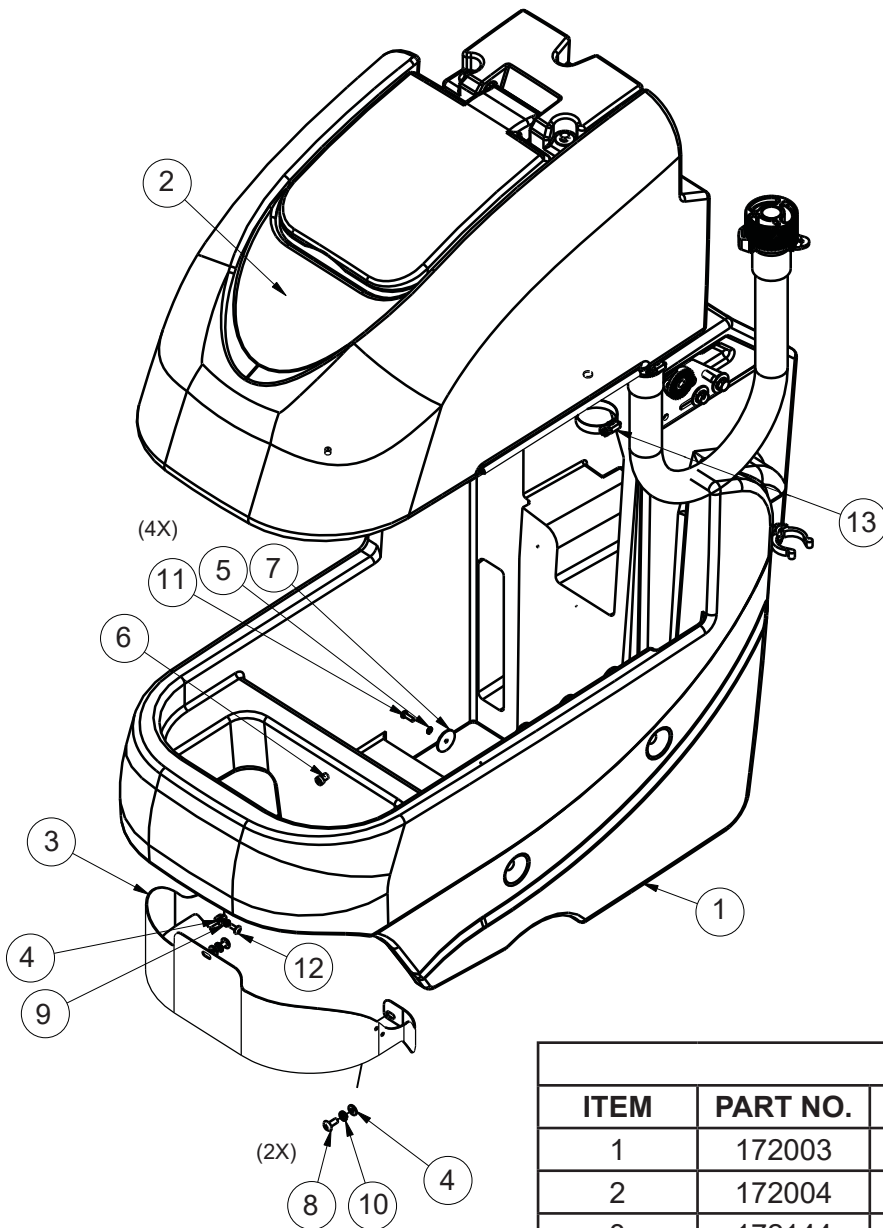


BILL OF MATERIAL							
ITEM	PART NO.	QTY	DESCRIPTION	ITEM	PART NO.	QTY	DESCRIPTION
1	172409	1	CHASSIS ASM, E26ECO	23	710985	2	SCR-SC 3/8-16 X .62 ST PL
2	172012	1	BATTERY TRAY ASSY	24	711504	2	WSR-FLAT 1/4 ID SS
3	172015-26	1	HANDLE ASSEMBLY	25	711507	2	WSR-FLAT .37 X 1.12 X .06
4	172032	1	LIFT PEDAL WMT	26	711519	3	WSR- FLAT .25 X 1.01 X .06
5	171022	1	VACUUM MOTOR ASSY	27	711543	1	WSR-HELICAL #10
6	172055	1	BKT, VAC AREA INSIDE CVR	28	711546	6	WSR-HELICAL 3/8
7	172075-120	1	ELEC BOX ASSY - SPORT	29	711803	1	COTTER PIN-HAIR
8	172079-26S	1	SPORT ELEC BOX COVER	30	712117	1	CLEVIS PIN
9	172085	2	KNOB, 3/8-16 STUD, 3 LOBE	31	712301	6	WSR-FLAT .37 X .87 X .06
10	172112	1	SOL CONTROL ASSY	32	712312	2	WSR-FLAT .187 X 1.25
11	172129	1	BKT, PWR CORD MOUNT	33	712562	2	BOLT-HH 1/4-20X3/4 SS
12	172032	1	LIFT PEDAL WMT	34	712758	2	WSR-HELICAL 1/4 SS
13	172184	1	FOAM COVER, REAR 1	35	713042	4	BLT-HH 3/8-16 X 1 #5
14	172185	1	FOAM COVER, REAR 2	36	715029	1	DECAL-NAME PLATE SERIAL
15	172187	1	FOAM COVER, FRONT 2	37	715047	1	DECAL-CLEAR LAMINATE 2X3
16	210142	1	PEDAL PAD	38	760592	1	KNOB, OVAL TAPERED
17	3303255	1	CLAMP-HOSE 1.75 DIA NOM.	39	809443	1	CLIP-WIRE & CORD
18	293080	1	STRAIN RELIEF-HEYCO 1207	40	172115	1	SOL CNTRL LEVER ASSY
19	342440	1	FTG, TEE 3/4MPT 1/2 BARB	41	172122	1	NUT, PUSH-ON WSR CAP, 3/16
20	430156	1	HOSE, 1/2 X 42 CLEAR	42	172069	1	ROD, SOL. CTRL, ES1720
21	450093	2	CRIMP CLAMP 3/4" STEP-LESS	43	172062	1	YOKE, 3/16 CLEVIS, 10-32, LNG
22	710178	10	SCR-MC 1/4-20 X .50 TRUSS STPL	44	171010-ECO	1	17/20 ECO ASSY



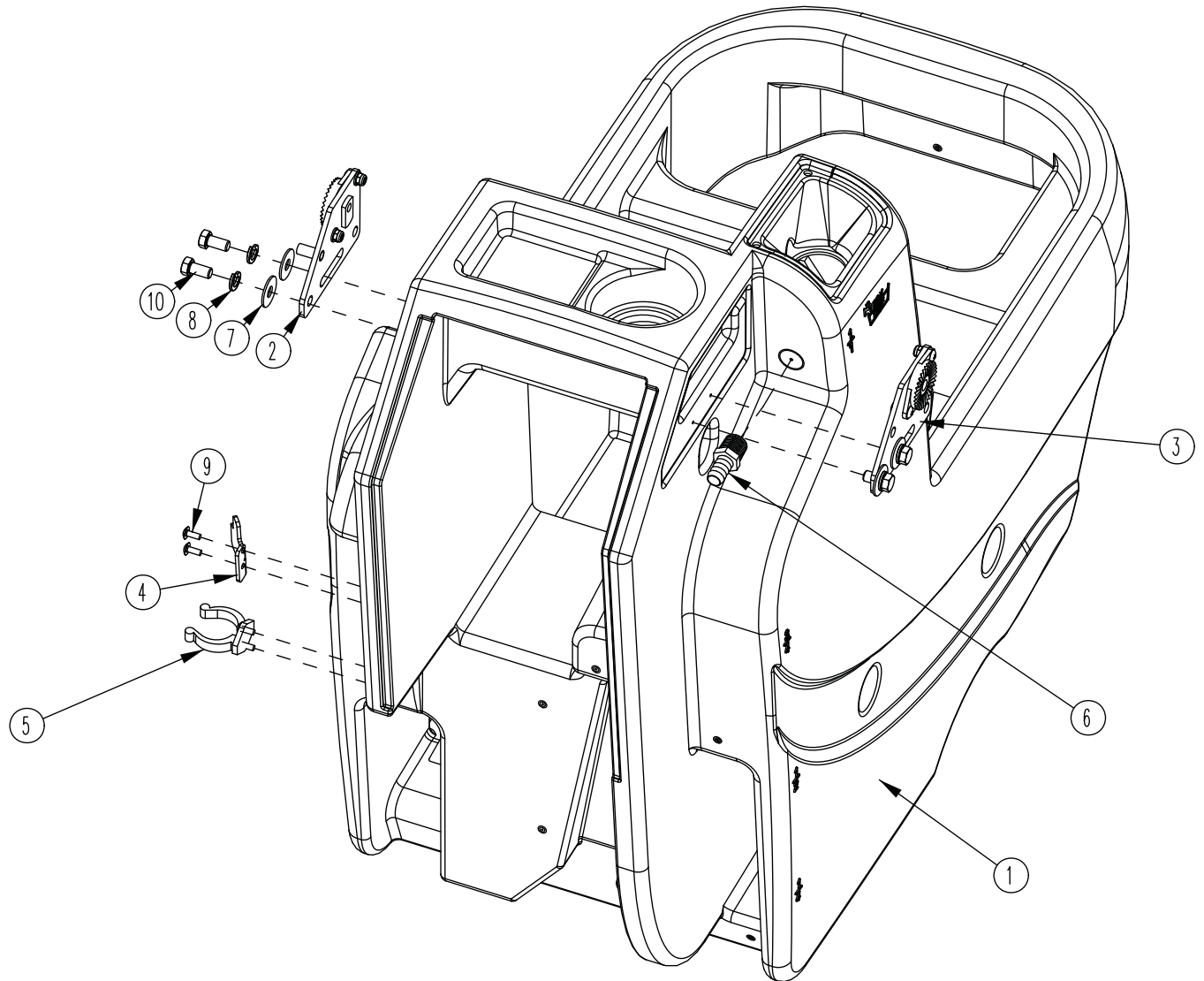
BILL OF MATERIAL - 172409

ITEM	PART #	QTY	DESCRIPTION	ITEM	PART #	QTY	DESCRIPTION
1	70-516-16	2	BLT-CARR 5/16-18 X 1 ZP	22	711569	3	WSR-FLAT .390 X .880 X .062 NYL
2	172020	1	E1720 MAIN FRAME WMT	23	711592	2	WSR-FLAT 1/2 X .90 X .064 NYLON
3	172038	4	BEARING BLOCK	24	712140	8	WSR-LOCK 5/16 SPLIT SS
4	172039	1	BEARING BLOCK PLATE	25	712265	1	CLEVIS-YOKE, 1/2-20 WITH .375 PIN
5	172104	1	SOLENOID MOUNT ASSY	26	712301	2	WSR-FLAT 3/8 X .87 X .06 ZP
6	172110	1	DECK SWITCH ASSY	27	712562	8	SCR-HH 1/4-20 X .75, 18-8 SS
7	172113	2	BKT, TRANSAXLE MOUNT BASE	28	712564	1	SCR-HH 1/4-20 X 1.00 SS
8	172114	2	BKT, TRANSAXLE MOUNT	29	712575	8	SCR-HH 5/16-18 X .75 18-8 SS
9	172167	2	CASTER, 3 1/2" PU WHEEL	30	712591	2	NUT-ACORN 1/4-20 SS
10	172425	2	RING-RET EXT .75/20mm HD	31	712758	12	WSR-LOCK 1/4 SPLIT SS
11	172516	1	DRAG CHAIN, SS, 8" W/ RING	32	712760	1	WSR-FLAT .56 X 1.06 X .04 SS
12	172518	2	WHEEL, 8X2 PU GROOVED	33	712761	1	WSR-FENDER 1/4 X 1.25 X .059 SS
13	172519	2	KEY-SQUARE 6MM X 45MM	34	712772	14	WSR-FLAT .344 X .75 X .06 SS
14	172571	1	ASSY-SOLUTION VALVE E1720	35	713007	4	SCR-HH 1/4-20 X 2.00 ZP GR 5
15	245700	1	WELDMENT, SH LIFT ARM, 2°	36	747606	1	TRANSAXLE, E1720 24V
16	245703	1	WELDMENT, UPPER ARM	37	809444	1	CLIP-CORD
17	600578	1	RING-RUE .50 ZP	38	833374	1	PIN-HAIRPIN COTTER 3/8
18	711383	4	NUT-HEX 5/16-18 ZP REV. LOC	39	833833	1	PIN-CLEVIS 3/8 X 1.25
19	711504	12	WSR-FLAT 1/4 SS	40	3400449	1	NUT-JAM 1/2-20 ZP
20	711510	2	WSR-FLAT 1/2 X 1.37 X .10 ZP	41	12040077	2	NUT-NYLOC M12 X 1.75 ZD CLASS 8
21	711512	2	WSR-FLAT 3/4 X 1.37 X .08 ZP				



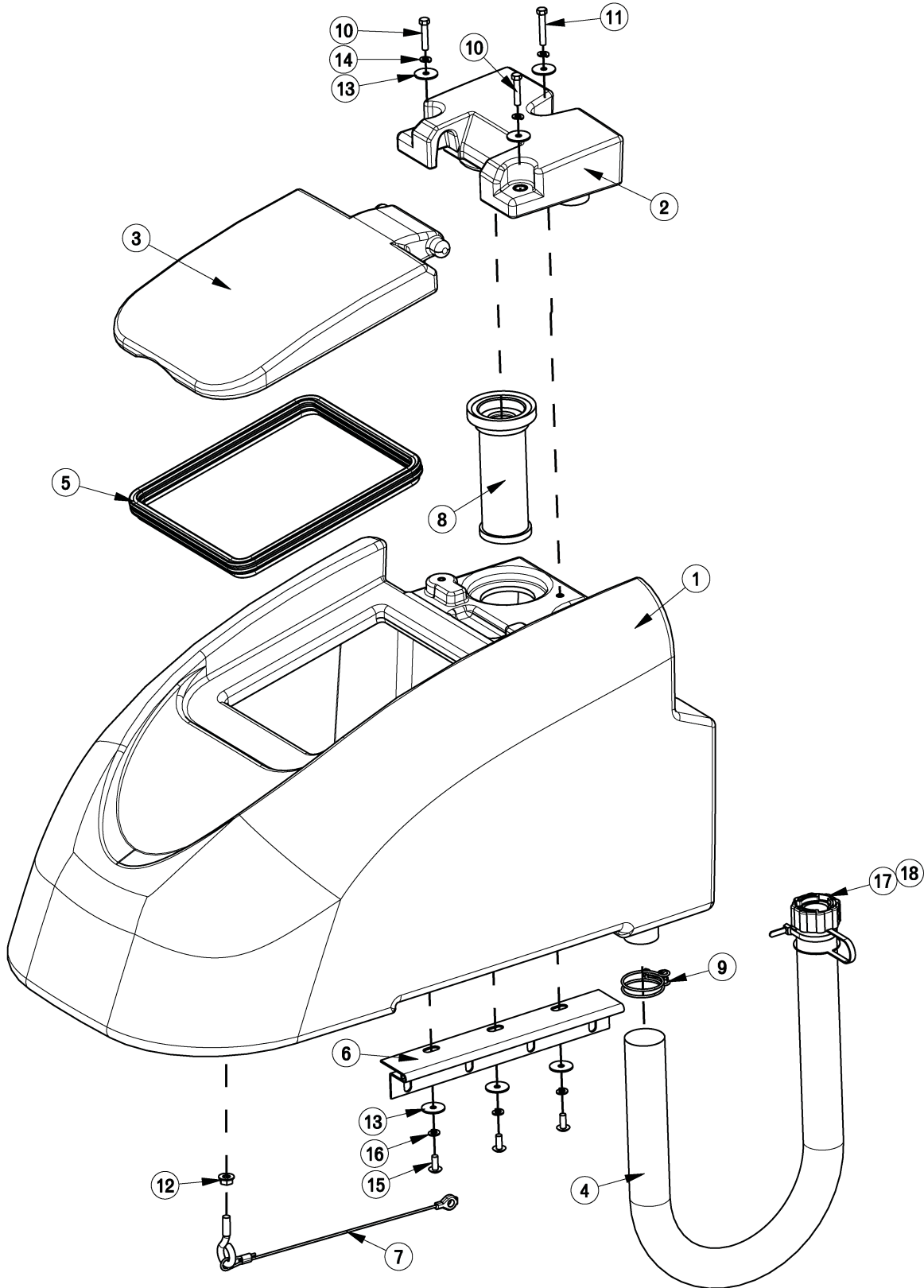
BILL OF MATERIAL

ITEM	PART NO.	QTY	DESCRIPTION
1	172003	1	SOL TANK ASSY, E1720
2	172004	1	REC TANK ASSY
3	172144	1	PANEL, FRONT 1720
4	711504	3	WSR-FLAT 1/4 ID SS
5	711543	4	WSR-HELICAL #10
6	712041	1	BLT- SHLDR 1/4-20 X .44 X .37
7	712312	4	WSR-FLAT .187 X 1.25
8	712565	2	SCR-MC 1/4-20X.63 SS TR HD
9	712757	1	WSR - HELICAL #10 SS
10	712758	2	WSR-HELICAL 1/4 SS
11	712812	4	SCR-MC 10-24 X .62 PPH ST PL
12	712822	1	SCR-MC TR HD 10-24 X .50 SS
13	3303255	1	CLAMP-HOSE 1.75 DIA NOMINAL

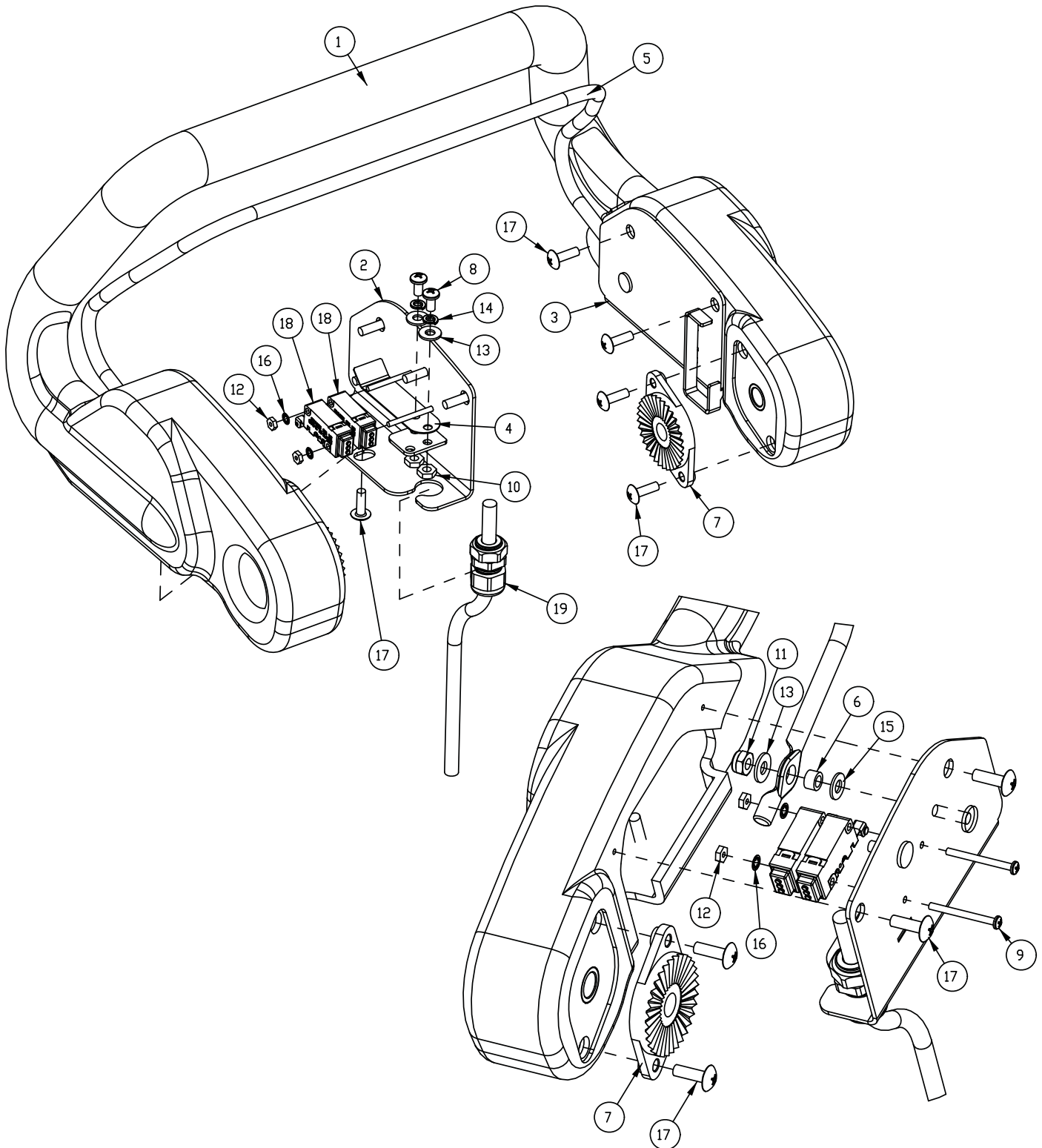


BILL OF MATERIAL - 172013

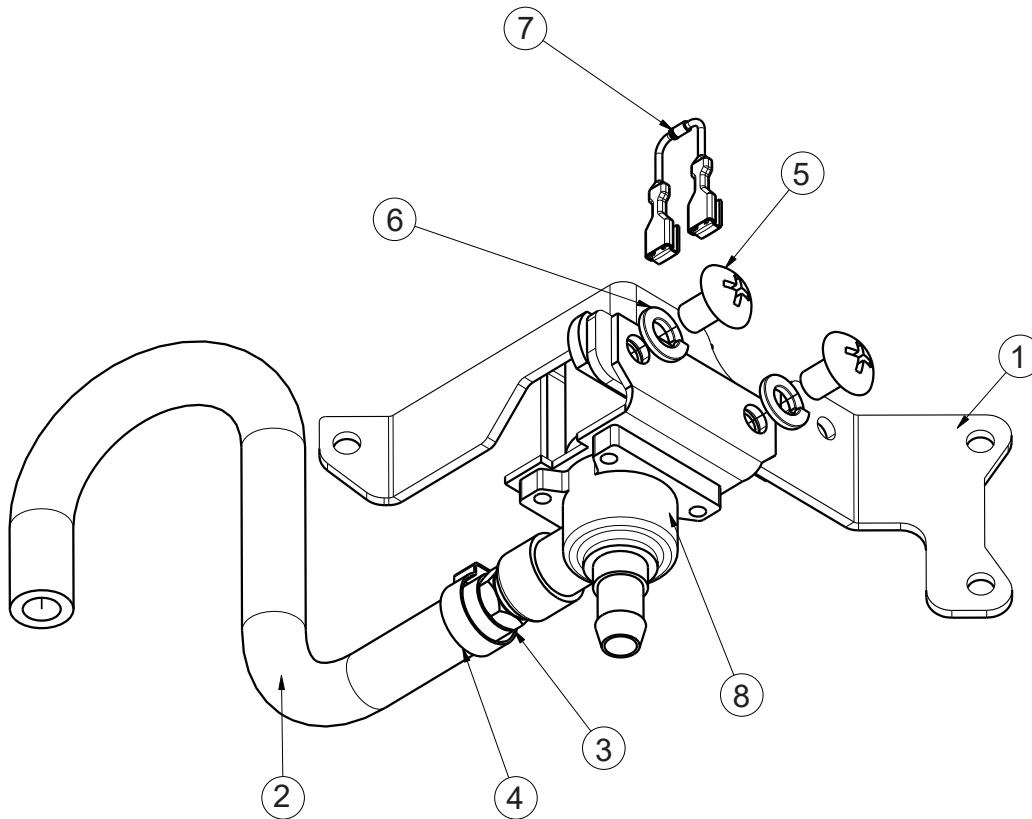
ITEM	PART NO.	QTY	DESCRIPTION
1	172003	1	SOLUTION TANK
2	172080	1	HANDLE MOUNT ASSY , LEFT
3	172082	1	HANDLE MOUNT ASSY , RIGHT
4	172341	1	HOOK , DRAIN HOSE WITH TWIST VALVE
5	260579	1	TOOL CLIP , 1.5 " HOSE
6	342438	1	FITTING , 1/2 MPT 1/2 HB BRASS
7	711507	4	WSR-FLAT .37 X 1.12 X .06
8	711546	4	WSR-HELICAL 3/8
9	712822	4	SCR-MC TR HD 10-24 X .50 SS
10	713041	4	BLT-HH 3/8 -16 X 3/4 # 5



BILL OF MATERIAL - 172014				
ITEM	PART NO.	QTY	DESCRIPTION	NOTES
1	172004	1	RECOVERY TANK	
2	172005	1	VACUUM MANIFOLD	
3	172007	1	LID	
4	97090096	1	DRAIN HOSE ASSY, RECOVERY TANK	INCLUDES ITEMS 17 & 18
5	172017	1	GASKET, LID	
6	172049	1	HINGE, RECOVERY TANK	
7	172394	1	REC TANK CABLE ASSY 11.625	
8	172132	1	SCREENED FLOAT	
9	3303255	1	CLAMP-HOSE 1.75 DIA NOMINAL	
10	711210	2	BLT-HH 1/4-20 X 1.25 STPL	
11	711212	1	BLT-HH 1/4-20 X 1.50 STPL	
12	711379	1	NUT, FLANGED WIZZ 5/16-18	
13	711519	6	WSR- FLAT .25 X 1.01 X .06	
14	711544	3	WSR-HELICAL 1/4	
15	712565	3	SCR-MC 1/4-20X.63 SS TR HD	
16	712758	3	WSR-HELICAL 1/4 SS	
17	15282072	1	REPLACEMENT O-RING (NOT SHOWN)	
18	90304528	1	REPLACEMENT CAP	

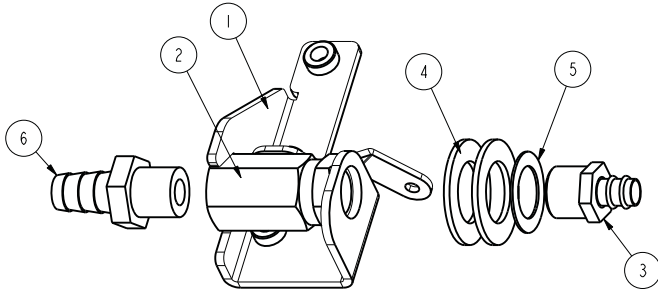


BILL OF MATERIAL - 172015			
ITEM	PART NO.	QTY	DESCRIPTION
1	172006	1	ES1720 HANDLE
2	172053	1	BAIL PLATE WMT RH
3	172054	1	BAIL PLATE WMT LH
4	172057	2	ES 1720 LEAF SPRIN G
5	172059	1	ES 1720 BAIL , HANDLE
6	172074	2	SPACER , 5/16 OD X 17 GA, ALUM
7	270143	2	HAND LE PIVOT JAW
8	710353	4	SCR -MCRD HD 10-32 X .37 STL
9	710495	2	SCR -MC 4-40 X 1.25 STL Z
10	711310	4	NUT , HEX 1 0 -3 2 ST PL
11	711350	2	NUT -NYLOC 10-32
12	711428	2	NUT -HEX 4-40
13	711503	6	WSR , FLAT #10
14	711543	4	WSR -HELICAL #10
15	712320	2	WSR -NYLON .22 X .45 X .04
16	712326	2	WSR -INT LOCK # 4
17	712830	10	SCR -MC 10 -24 X .62 ST LZ TRHD
18	747603-3	2	SWITCH ASY, MICROROLLER w /MATENLOK
19	747715-1	1	CABLE ASY, 5 COND 18 GE172 0TD


BILL OF MATERIAL - 172104

ITEM	PART NO.	QTY	DESCRIPTION
1	172105	1	BKT, SOLENOID MOUNT
2	281637	1	HOSE-WIRE REINF 3/8 X 11"
3	320264	1	FTG-ADPTR 1/4 MPT X 1/4 HB BRASS
4	450076	1	CLAMP-HOSE 5/8 (.590-.791) SS
5	710195	2	SCR-PHMS 5/16-18 X .50 ZP
6	711545	2	WASHER-LOCK 5/16 SPLIT ZP
7	740482	1	DIODE ASY, 1N4007 W/PIGGY
8	740493	1	VALVE-WATER 24VDC

Old Style - Solution Valve Assembly



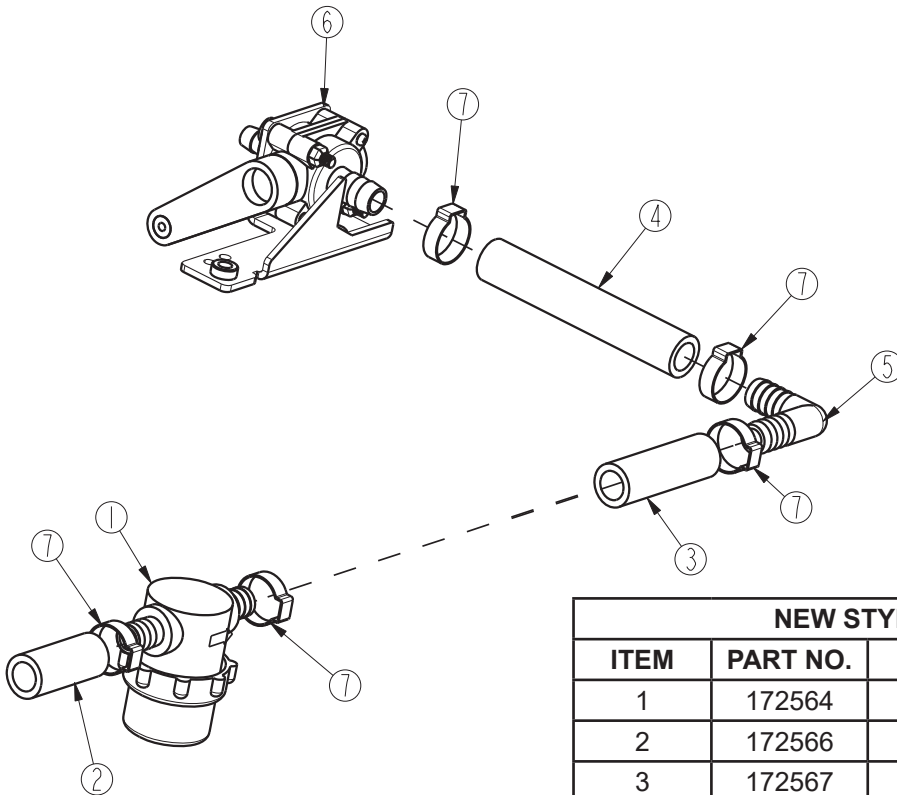
*****REPLACING OLD STYLE BRASS SOLUTION VALVE ASSEMBLY 172514 WITH 172571 PLASTIC SOLUTION VALVE ASSEMBLY**

WILL REQUIRE THE PURCHASE OF KIT K-172571

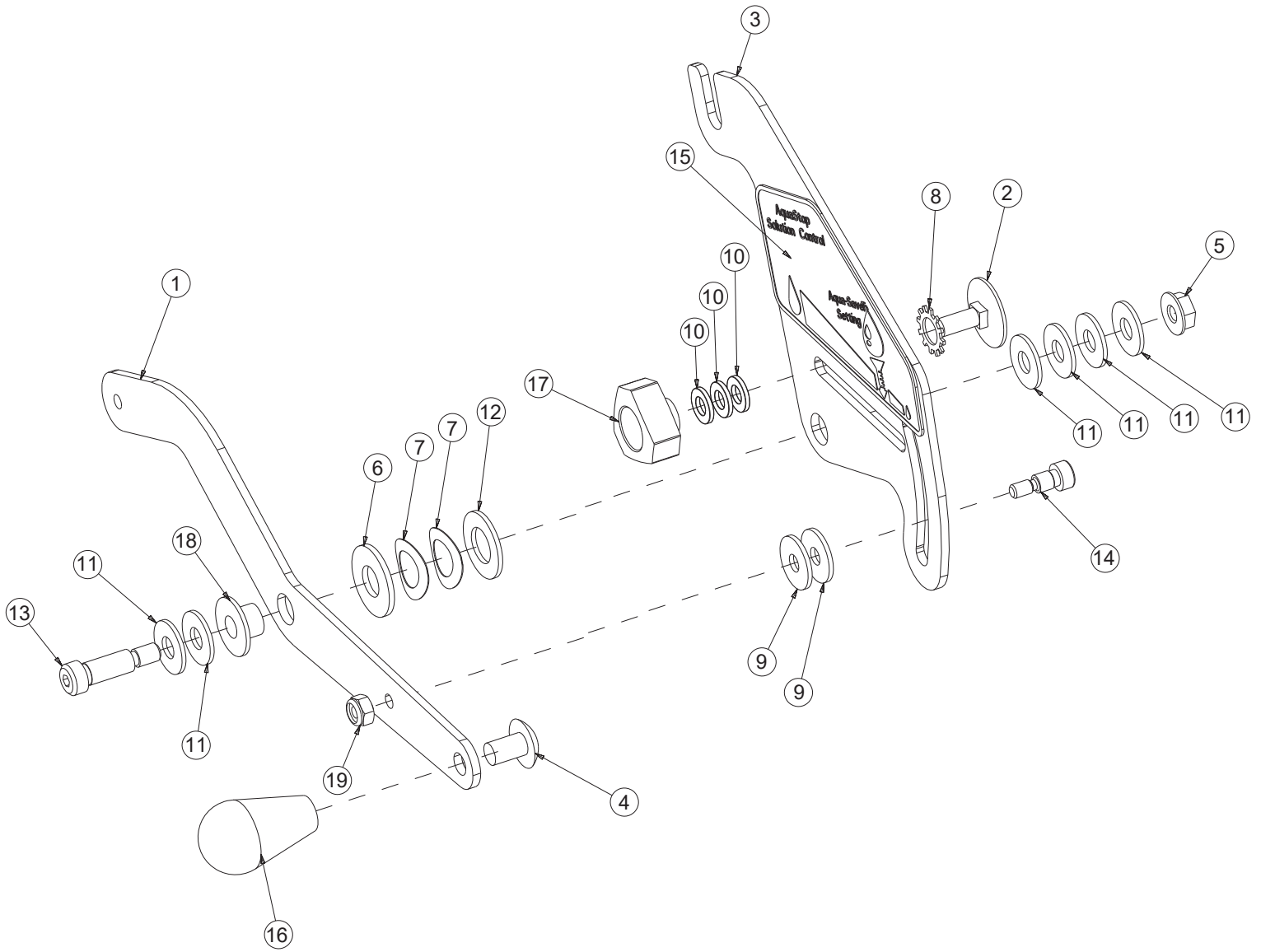
NO LONGER AVAILABLE

OLD STYLE - BILL OF MATERIAL - 172514			
ITEM	PART NO.	QTY	DESCRIPTION
1	172513	1	BRKT, SOL VALVE MOUNT
2	172515	1	BALL VALVE, BRASS, 3/8FNPT, CUST HANDLE
3	320265	1	FTG-ADAPTER 3/8 MPT X 3/8 HB BRASS
4	711512	2	WASHER-FLAT 3/4 X 1.37 X .08 ZP
5	711513	1	WASHER-FLAT .689 X 1.06 X .029 SS
6	827008	1	FTG-ADAPTER 3/8 MPT 1/2 HB BRASS

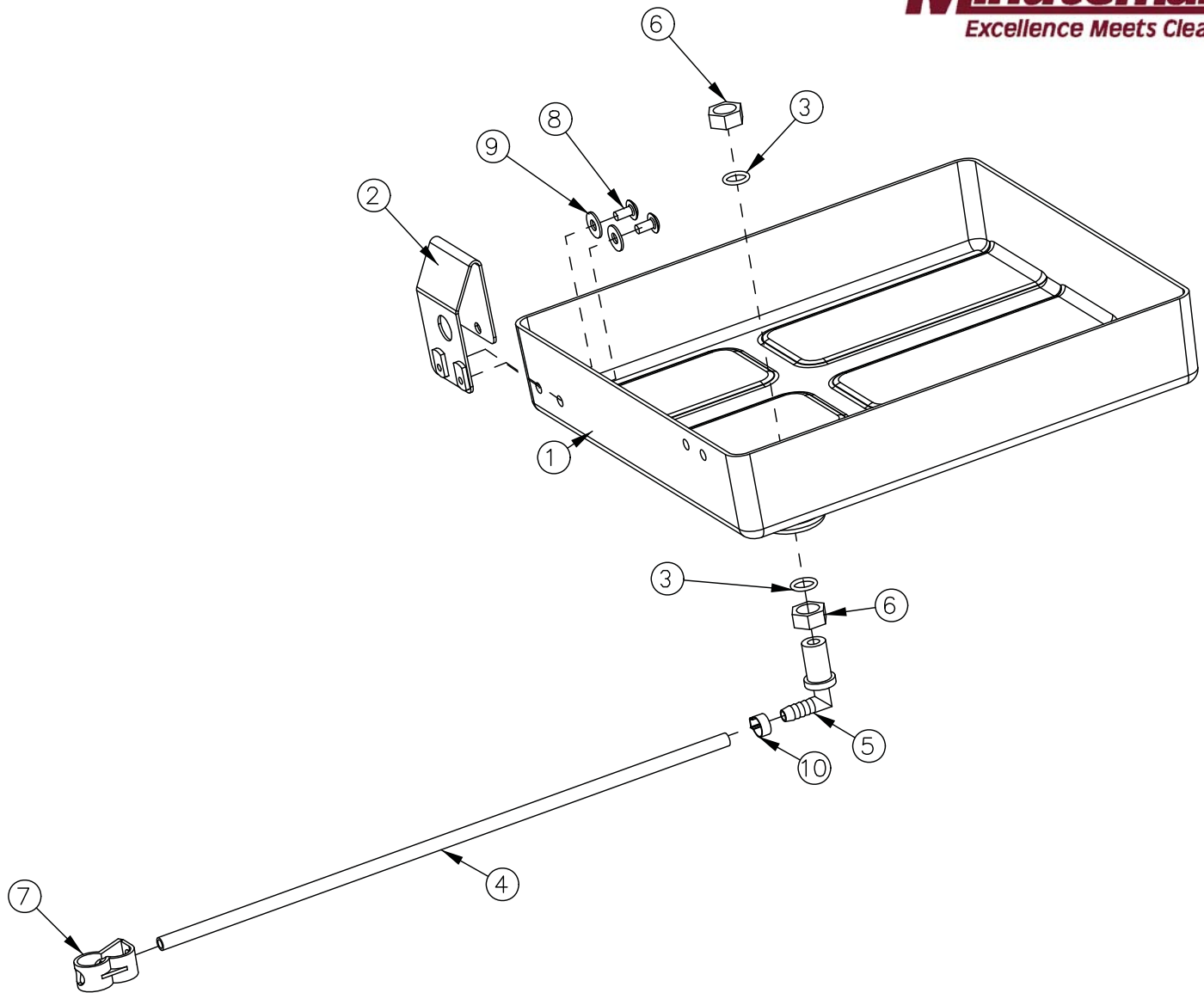
New Style - Solution Valve Assembly



NEW STYLE - BILL OF MATERIAL - 172571			
ITEM	PART NO.	QTY	DESCRIPTION
1	172564	1	FILTER-SOLUTION
2	172566	1	HOSE- 1/2"ID X 1.75" NYLOBRAID
3	172567	1	HOSE-1/2"ID X 2.375" NYLOBRAID
4	172568	1	HOSE-WIRE REINF 1/2"ID X 4.25"
5	172569	1	FTG-ELBOW 90 1/2 HB X 1/2 HB NYLON
6	172579	1	SOLUTION CNTRL VALVE, WITH BRKT
7	383347	5	CLAMP-CRIMP 1/2 HOSE

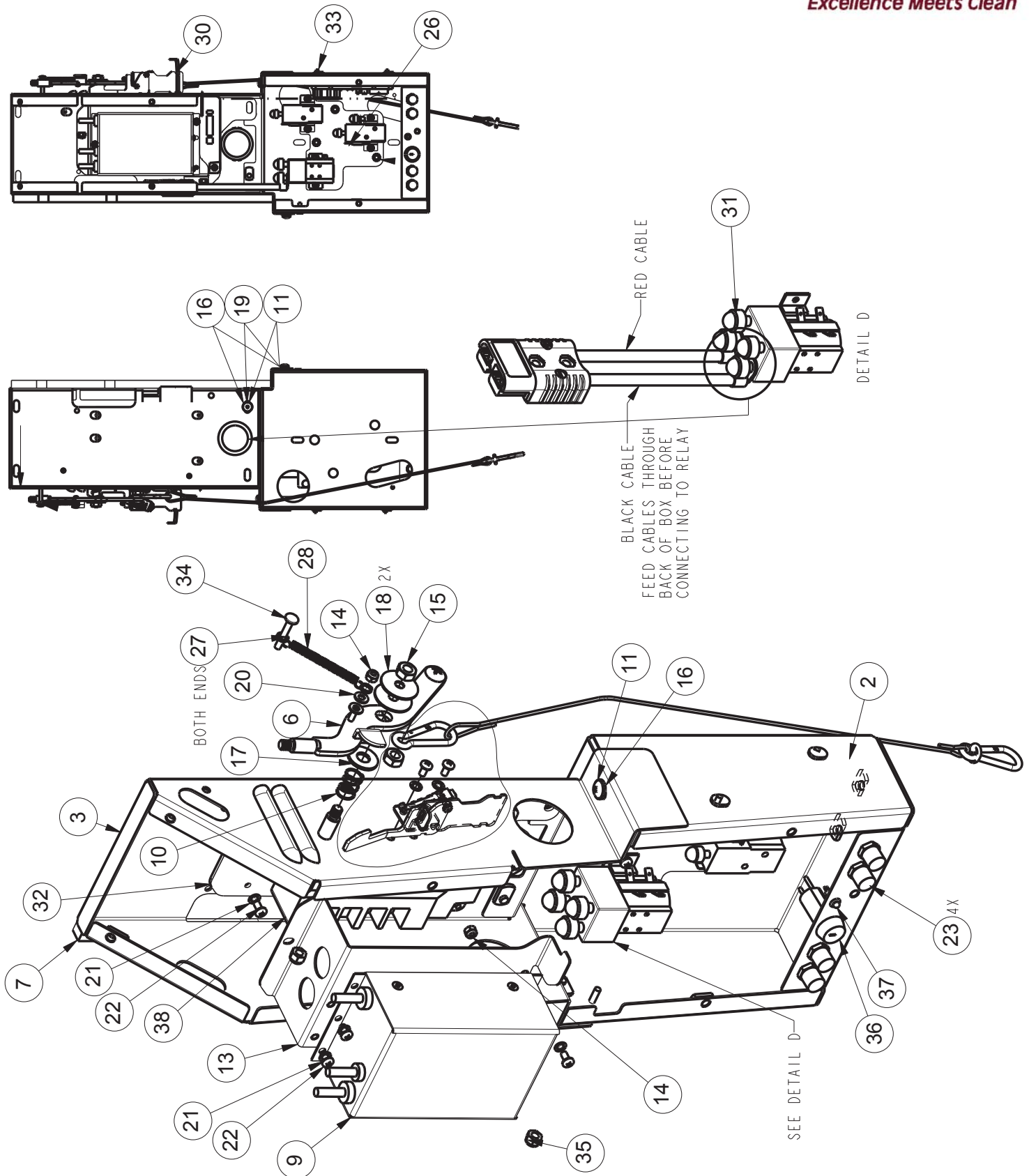


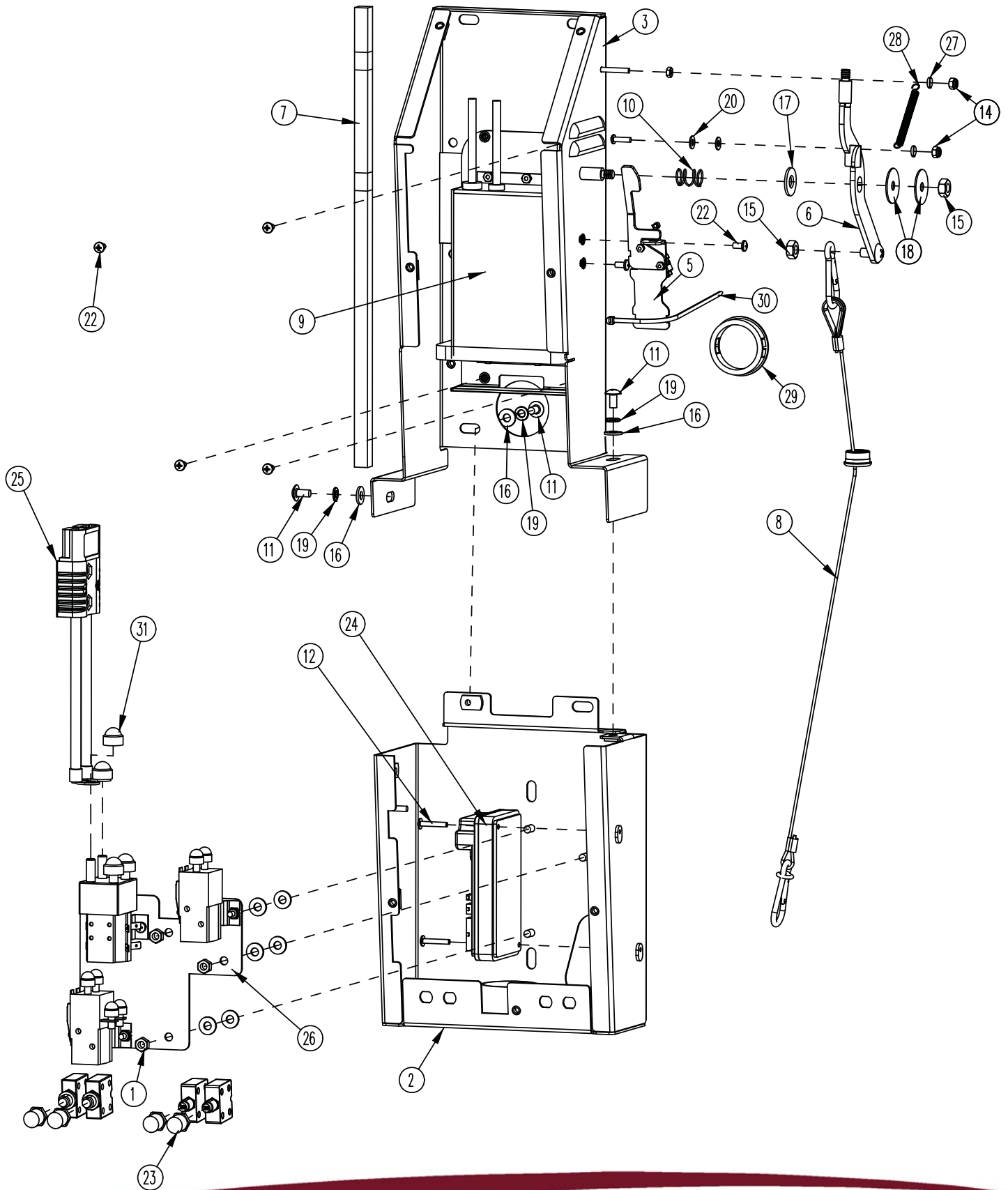
BILL OF MATERIAL - 172577			
ITEM	PART NO.	QTY	DESCRIPTION
1	172061	1	LEVER, SOLUTION CONTROL BRK'T
2	172424	1	BLT-ELEVATOR 1/4-20 x .75 ZINC
3	172575	1	BRKT, AQUASTOP SOL CNTRL
4	710195	1	SCR-PHMS 5/16-18 X .50 ZP
5	711425	1	NUT-FLANGED WIZZ 1/4-20 ZP
6	711508	1	WASHER-FLAT 3/8 X 1.00 X .08 ZP
7	711524	2	WASHER-FLAT 3/8 X 1.00 X .08 ZP
8	711539	1	WASHER-EXT LOCK 3/8 ZP
9	711550	2	WASHER-FLAT 1/4 X .75 NYLON
10	711566	3	WASHER-FLAT #12 X .50 X .065 ZP
11	711575	6	WASHER-FLAT 1/4 X .75 X .06 ZP
12	711592	1	WASHER-FLAT 1/2 X .90 X .064 NYLON
13	712070	1	BLT-SHOULDER 5/16 X .75 LG X 1/4-20 BLK
14	713598	1	BLT-SHOULDER 1/4 X .313 LG X 10-24 SS
15	715690	1	DECAL, AQUASTOP SOLUTION CONTROL
16	760592	1	KNOB-OVAL TAPERED
17	833214	1	KNOB-3 SIDED 1/4-20 INSERT
18	840202	1	BUSHING-FLG .31 X .435 X .325 NYL
19	3400399	1	NUT-NYLOC 10-24 SS



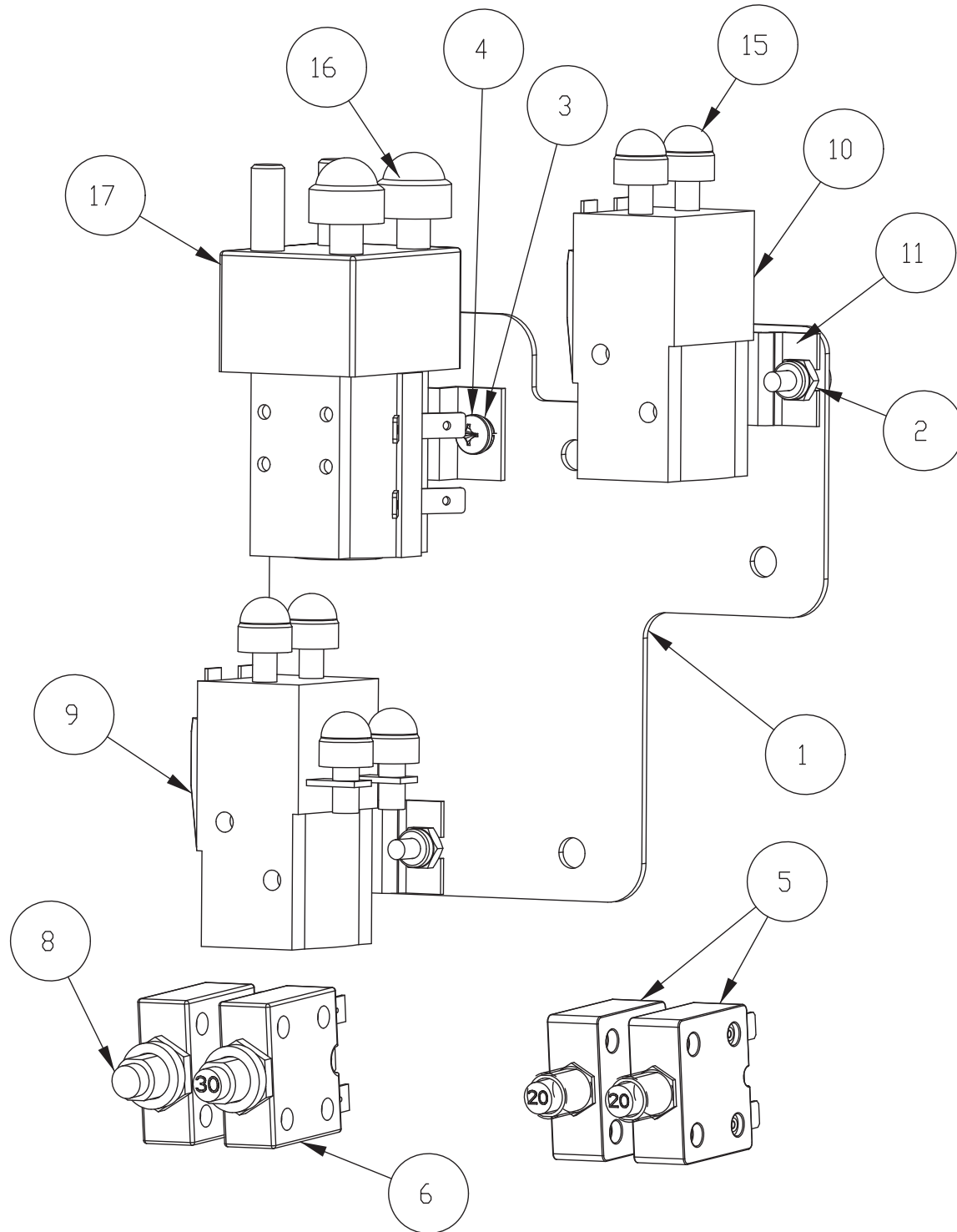
BILL OF MATERIAL - 172012

ITEM	PART NO.	QTY	DESCRIPTION
1	172116	1	BATTERY BOX
2	172213	1	BKT, SPACER FOR BATTERIES
3	210414	2	O RING 2-113
4	260224	1	18" HOSE
5	320271	1	NOZZLE BODY-ELBOW
6	320272	2	NOZZLE BODY LOCKNUT
7	320273	1	HOSE SHUT-OFF CLAMP
8	710178	2	SCR-MC 1/4-20 X .50 TRUSS STPL
9	711575	2	WSR-FLT .31x.75x..06ST
10	828490	1	CRIMP CLAMP 140R

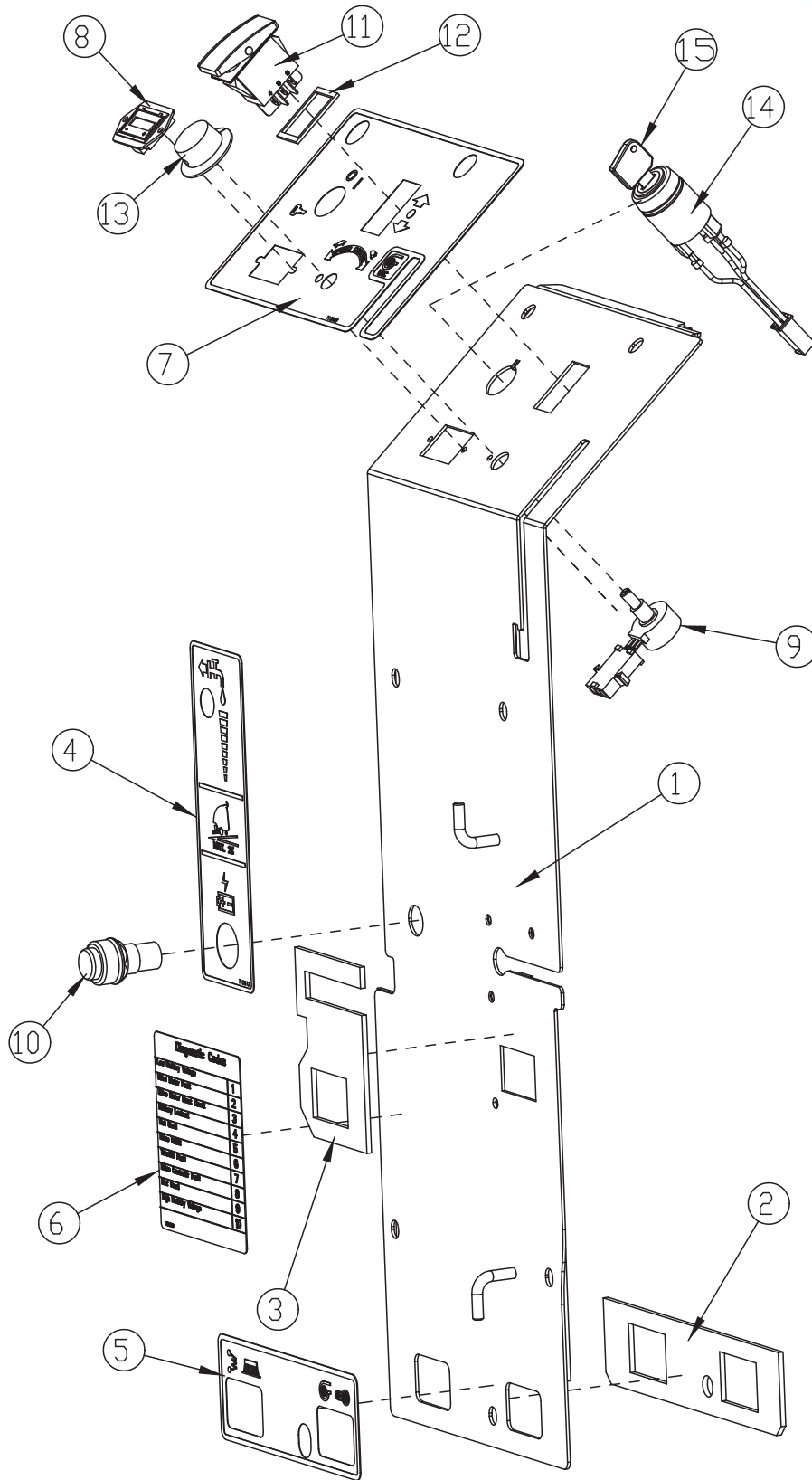




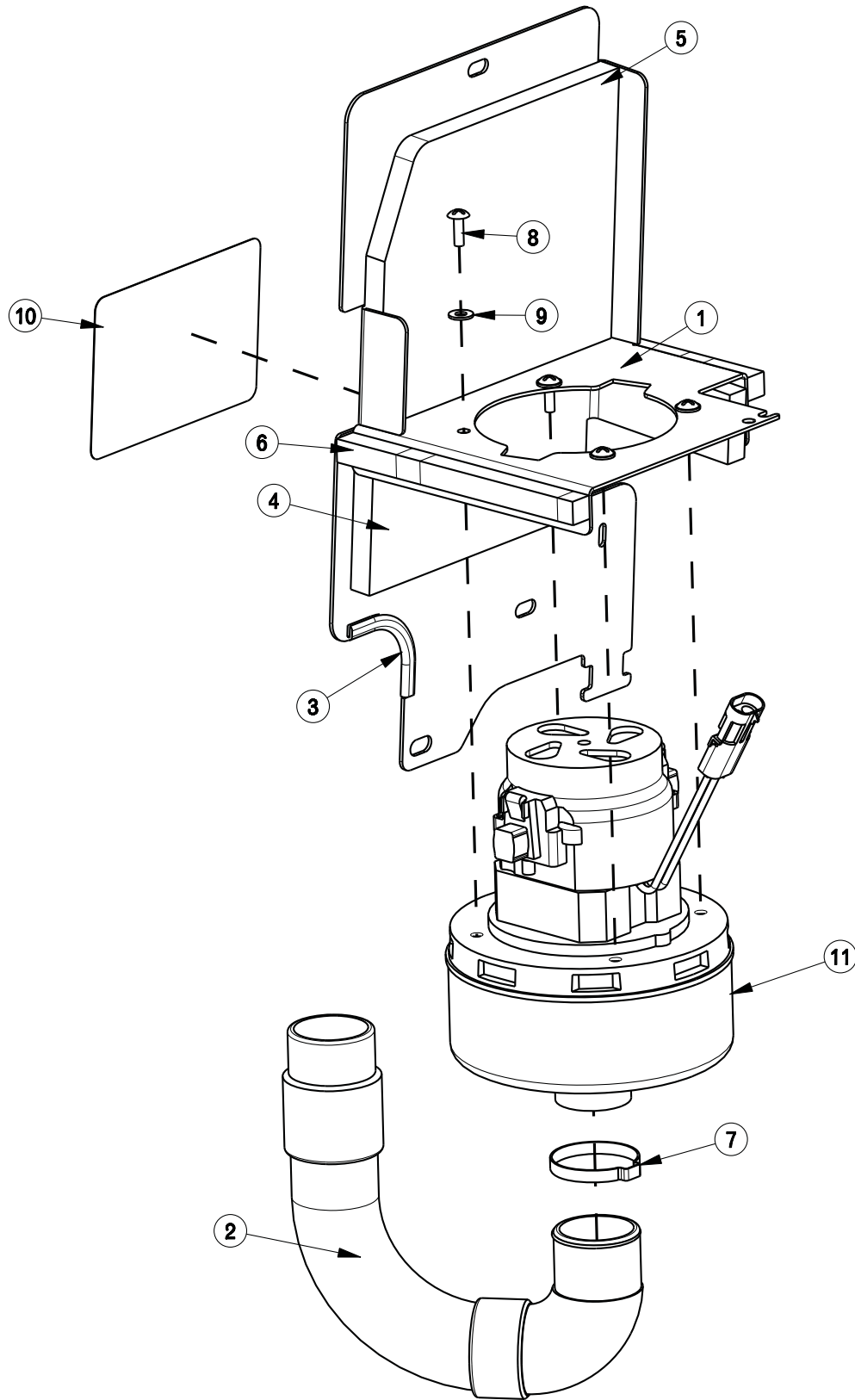
BILL OF MATERIAL - 172075-26S			
ITEM	PART NO.	QTY	DESCRIPTION
1	369-416	3	NUT-HEX 1/4-20 ZP DOUBLE SERRATED
2	172481	1	SPORT ELEC BOX BOTTOM HALF WMT
3	172088	1	ELEC BOX TOP WMT
5	172141	1	VAC SWITCH ASSY
6	172152	1	WELDMENT-VAC LEVER
7	172188	1	FOAM TAPE, 1/2" SQ X 16.5"
8	172381	1	SQUEEGEE CABLE ASSY
9	957761	1	CHARGER, SIGNET HBF300-24 NEMA 5-15 PLUG
10	670093	1	SPRING-COMP .502 X .6 X 1 ZINC
11	710178	3	SCR-THMS 1/4-20 X .50 ZP
12	710534	2	SCR-MC TR HD 8-32 X 1.00 SS
13	172492	1	PANEL, CHARGER MOUNT
14	711372	2	NUT-NYLOC 8-32 ZP
15	711383	2	NUT-HEX 5/16-18 ZP REVERSE LOC
16	711505	9	WASHER-FLAT 1/4 ZP
17	711508	1	WASHER-FLAT 3/8 X 1.00 X .08 ZP
18	711516	2	WASHER-FLAT 5/16 X 1.25 X .05 ZP
19	711544	3	WASHER-LOCK 1/4 SPLIT ZP
20	712320	2	WASHER-FLAT 20 X .45 X .048 NYLON
21	712770	6	WASHER-INT LOCK #10
22	712810	6	SCR-RHMS 10-24 X .37 ZP
23	742748	4	CIRCUIT BREAKER-BOOT
24	747710	1	I-DRIVE,24V 70A PM MOTOR CONTROL
25	747637	1	WIRE ASY, MACHINE-BATTERY E1720
26	748954	1	ELEC PANEL ASY, E1720 SPORT
27	760134	2	MOUNT RING
28	762084	1	SPRING-EXT .25OD X 2" F.L. MUSIC
29	762400	1	BUSH -HEYCO 1-5/8 X 2-1/8 X 29/64 2400 B
30	828062	1	CABLE TIE LARGE
31	15592033	2	CAP, SAFETY NUT COVER M8
32	172493	1	PANEL, I-DRIVE MOUNT
33	710035	2	SCR-PHMS 8-32 X 1.125 ZP
34	712533	1	SCR-PHMS 10-24 X 1.25 SS
35	712667	2	NUT-NYLOC 1/4-20 SS
36	747717	1	KEYSWITCH ASSY, 2 POS, ON/OFF
37	747718	1	LAMP ASSY, LED AMBER, 24V
38	747716	1	I-DRIVE, 24V 180A CONTROLLER-SPORT



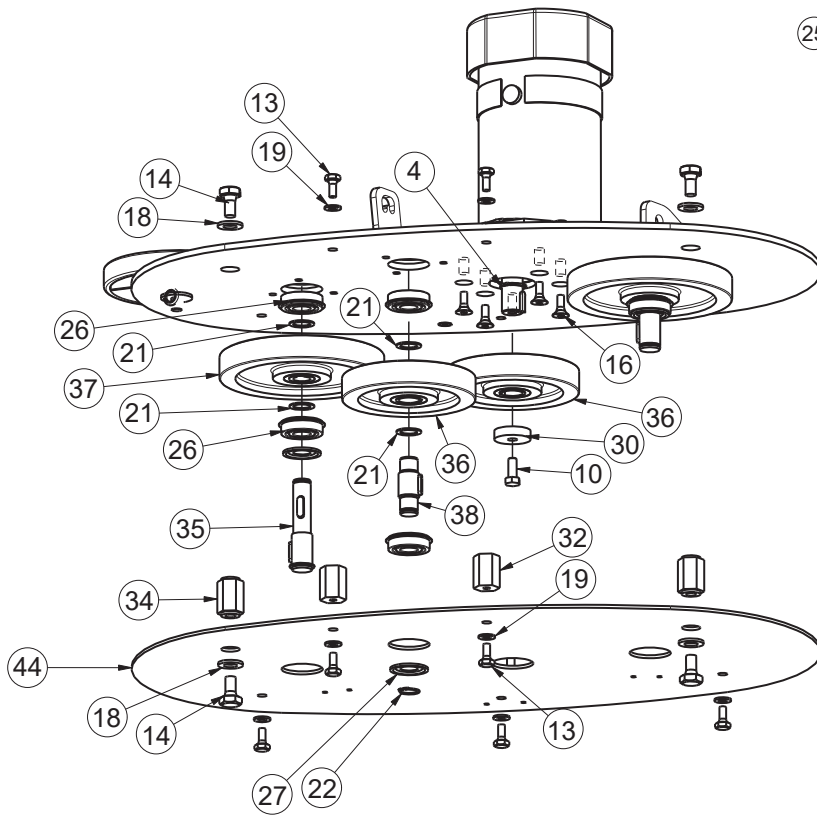
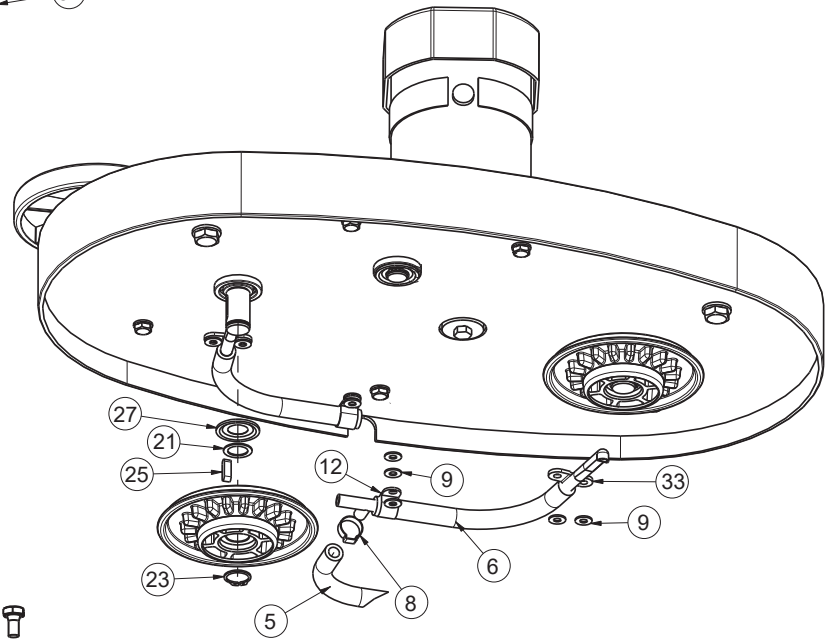
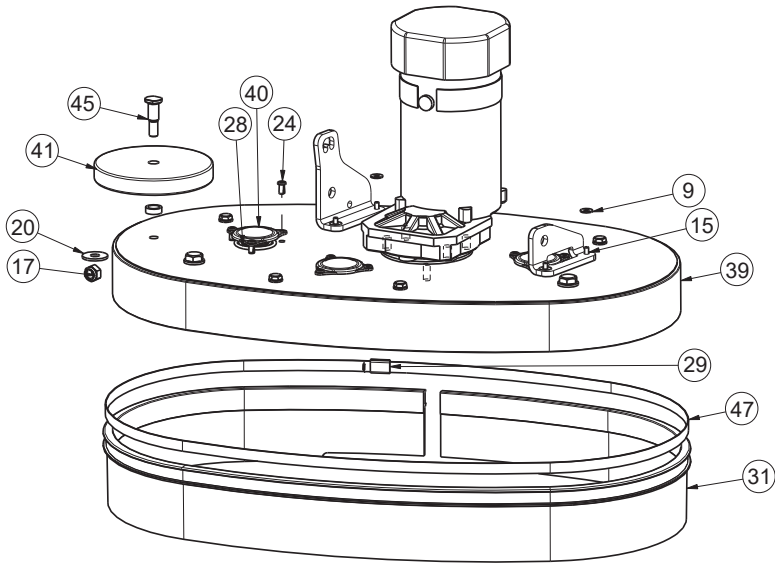
BILL OF MATERIAL - 748954			
ITEM	PART NO.	QTY	DESCRIPTION
1	172483	1	PANEL, RELAY MOUNT
2	711350	4	NUT -NYLOC 10-32
3	711543	2	WSR-HELICAL #10
4	712800	2	SCR-MC 10-24 X .25 ST PL
5	740220	2	CIRCUIT BREAKER-20AMP 2-T ERMIN
6	740549	1	CIRCUIT BREAKER-50AMP PUSH BUT
7	740482	2	DIODE ASY, 1N4007 W/PIGGY (NOT SHOWN)
8	747609	1	CIRCUIT BREAKER-4.0AMP PUSHBUT
9	747615	1	RELAY, 2 POLE CURT IS (1720)
10	747616	1	RELAY, 1 POLE CURT IS (1720)
11	747619	2	BRACKET , RELAY 747615 & 747616
12	748333	1	WIRE ASY, 18G RED 13" (NOT SHOWN)
13	747684	1	WIRE ASY, 18G RED/VIOLET 8" (NOT SHOWN)
14	748953	1	HARNESS, E20 SPORT, MAIN (NOT SHOWN)
15	15592025	6	CAP, SAFETY NUT COVER M 6
16	15592033	2	CAP, SAFETY NUT COVER M 8
17	90331026	1	RELAY, 24VDC 2 POLE 100A (HAKO)



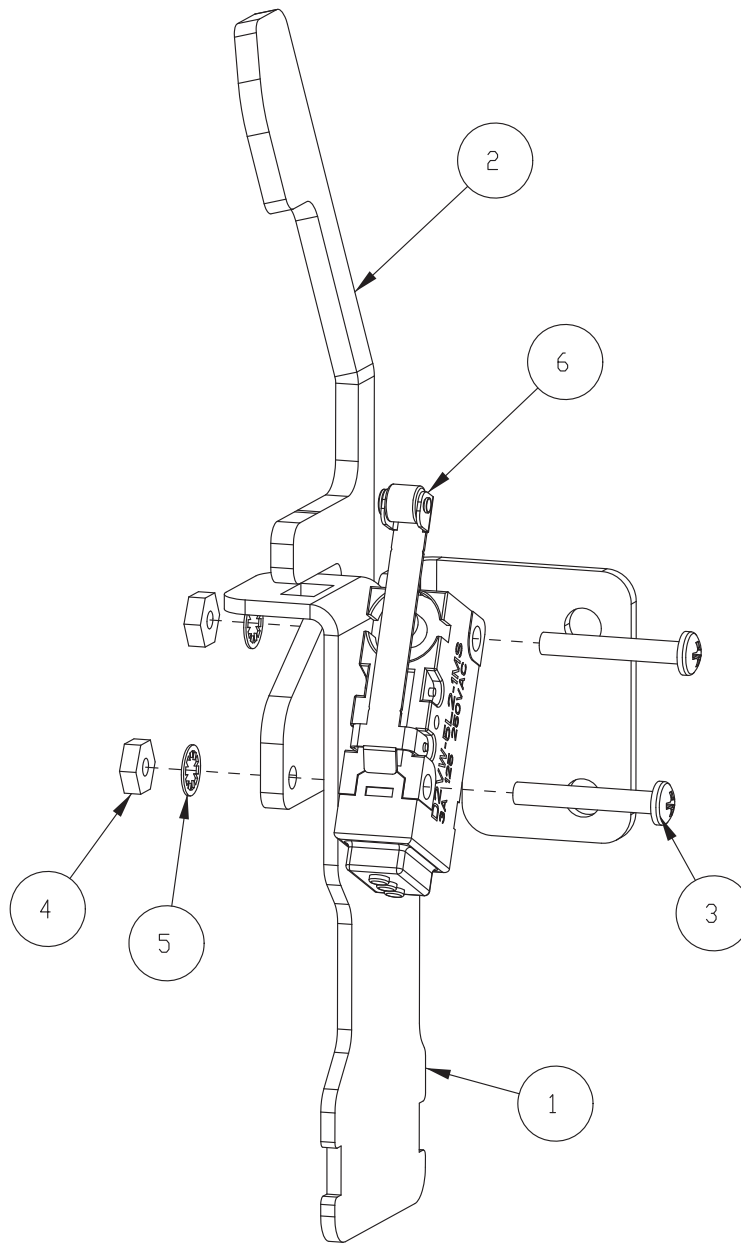
BILL OF MATERIAL - 172079-26S			
ITEM	PART NO.	QTY	DESCRIPTION
1	172485	1	E20 SPORT ELEC BOX COVER WMT
2	172193	1	GASKET , CB OUTLINE
3	172194	1	GASKET , CHARGER CORD PLATE
4	715697	1	DECAL, SPORT CHARGER STATUS
5	715693	1	DECAL, SPORT C.B./KEY/LED
6	715699	1	DECAL. DIAGNOSTIC CODES E1720T D
7	715680	1	DECAL, CYL DASHBOARD
8	747011	1	BATTERY GAUGE, TRUCHARG E
9	747026	1	POTENTIOMETE0R ASSY SPEED CONTROL
10	747614	1	CHARG E STATUS INDICATOR
11	748201	1	SWITCH , DPDT ON/OFF/ON
12	748209	1	GASKET -FOR 2 POLE ROCKER SWITCHES
13	809874	1	KNOB, SPEED CONTROL
14	748389	1	KEYSWITCH ASSY E26ECOSPORT
15	00745890	1	KEY SET (2 pc .) -REPLACEMENT FOR 90323437



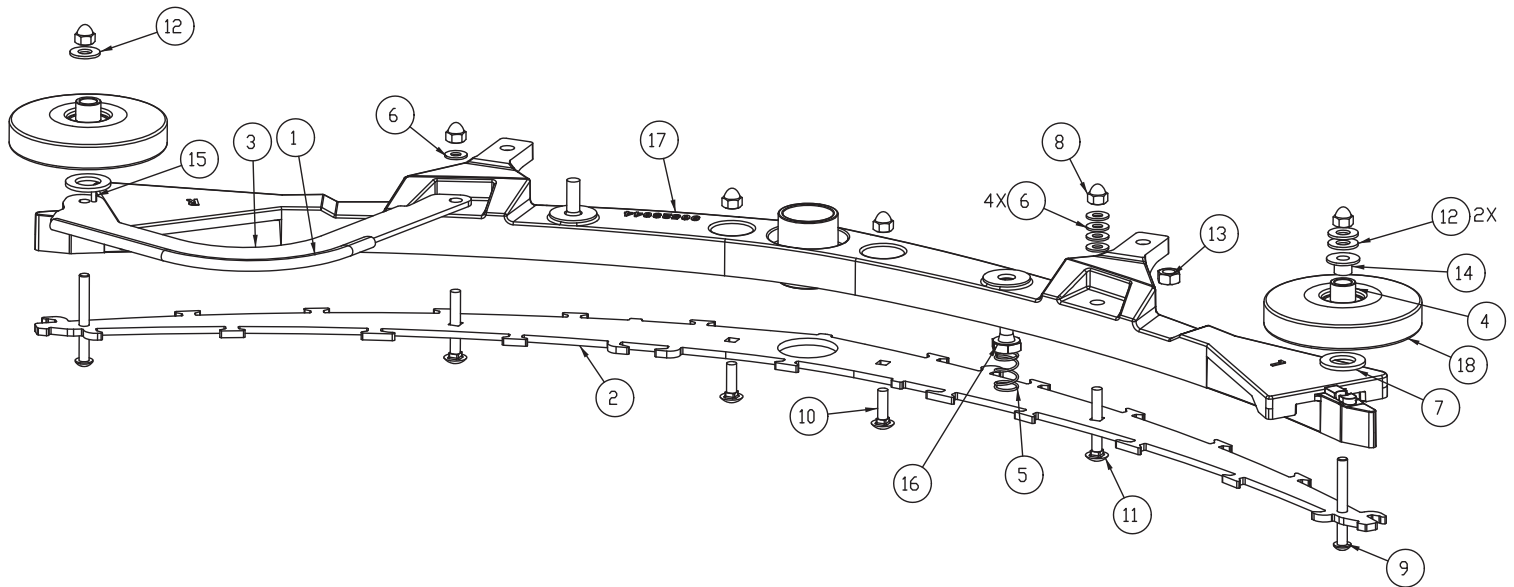
BILL OF MATERIAL - 171022			
ITEM	PART NO.	QTY	DESCRIPTION
1	172045	1	VAC MOUNT WMT
2	172048	1	HOSE, STRETCH 13"
3	172124	1	EDGE TRIM, .063 X 3.0, BLACK
4	172186	1	FOAM COVER, FRONT 1
5	172187	1	FOAM COVER, FRONT 2
6	172188	2	FOAM TAPE, 1/2" SQ X 16.5"
7	450095	1	CRIMP CLAMP, 1.75"
8	711160	4	#10 X 5/8 HI-LO
9	711503	4	WSR, FLAT#10
10	715967	1	DECAL, BATT CABLE ROUTE
11	747607-1	1	VAC MOTOR ASY



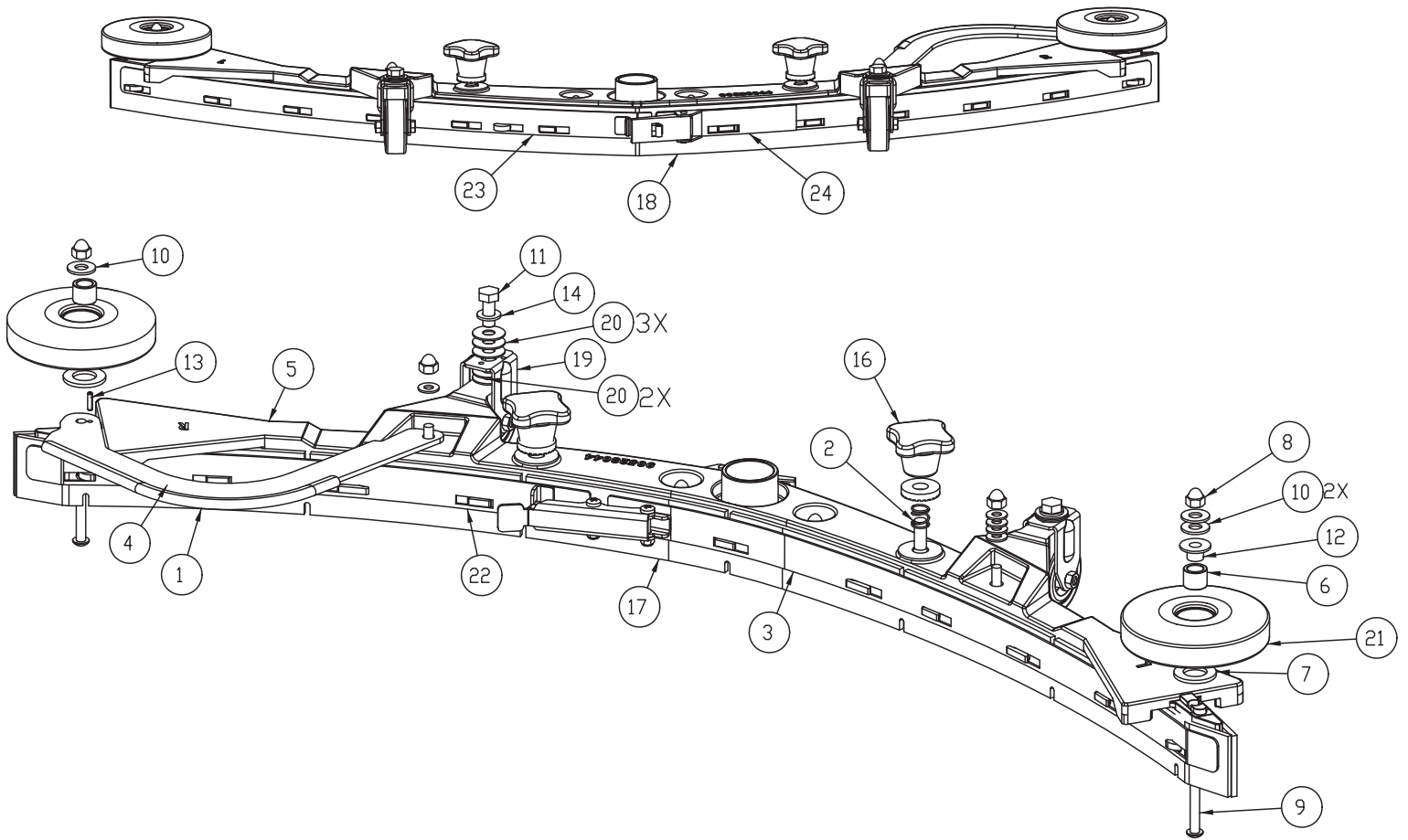
BILL OF MATERIAL - 99711100							
ITEM	PART #	QTY	DESCRIPTION	ITEM	PART #	QTY	DESCRIPTION
1	77-81-A	1	SPACER-.53 X .75 X .25	25	13540182	5	KEY, SQ 6MM X 20
2	172417	1	BKT, DECK MOUNT RIGHT	26	14110787	6	BEARING, 6203
3	172418	1	BKT, DECK MOUNT LEFT	27	14678288	3	NILOS-RING
4	172425	1	RING-RET EXT .75/20mm HD	28	15282049	3	O-RING, 42.5 X 3 NBR
5	172426	1	HOSE-NYLO REINF 3/8 X 25	29	17528555	1	TENSION BAND LOCK
6	760302	2	HOSE-NYLO REINF 3/8 X 8"	30	90271511	1	CAP, MOTOR GEAR
7	260178	1	FTG-TEE 3/8 HB X 3/8 HB X 1/4 HB PE	31	90298845	1	SPLASH GUARD, 26" DECK
8	450076	1	CLAMP-HOSE 5/8 (.590-.791) SS	32	90299371	5	STANDOFF, HEX M8 X 31.5
9	711504	14	WASHER-FLAT 1/4 SS	33	90311663	2	FITTING, WATER NOZZLE W/ MOUNT HOLES
10	717030	1	SCR-HH M8-1.25 X 20 SS	34	90347832	2	STANDOFF, HEX M8 X 31.5 W/PILOT
11	747600	1	MOTOR, 24VDC PM 600W	35	90347840	2	SHAFT, MAIN GEAR
12	1752903	2	CLAMP-P, 51D	36	90348715	2	GEAR, INNER
13	11038197	10	BLT-HH M8 X 1.25 X 16 STL ZD 8.8 DIN 933	37	90348723	2	GEAR, MAIN
14	11038577	4	BLT-HH M12 X 20	38	90399684	1	SHAFT, INNER GEAR
15	11206208	4	SCR-MC FH M6 X 20	39	90493701	1	SIDE COVER, 26" DECK
16	11225331	4	SCR-FH M8 X 20	40	90494949	3	COVER, BEARING
17	12040069	1	NUT-NYLOC M10 X 1.5 ZD CLASS 6	41	90541319	1	BUMPER WHEEL, 140MM, BLACK
18	12310066	4	WSR-FLT M13 X 24 X 2.5 STL 140HV ZD DIN	42	90542572	2	DRIVE HUB - SCRUBBER, DISK
19	12310264	10	WSR-FLT M8.4 X 16 X 1.6 A2 SS	43	90572447	1	TOP PLATE, 26ECO DECK
20	12332037	1	WSR-FLT M10.5 X 30 X 2.5 STL 140HV ZD DI	44	90572454	1	BOTTOM PLATE, 26ECO DECK
21	12335063	8	WSR-FLT, 17 X 24 X 1	45	90572470	1	BLT-SHLD 12.4 X 22MM X M10
22	12610085	3	CIRCLIP	46	90572504	1	SPACER, BRUSH MOTOR
23	12610093	2	CIRCLIP	47	90572538	1	REATINING BAND, 26" DECK
24	13166087	9	RIVET, PLASTIC PUSH-IN				



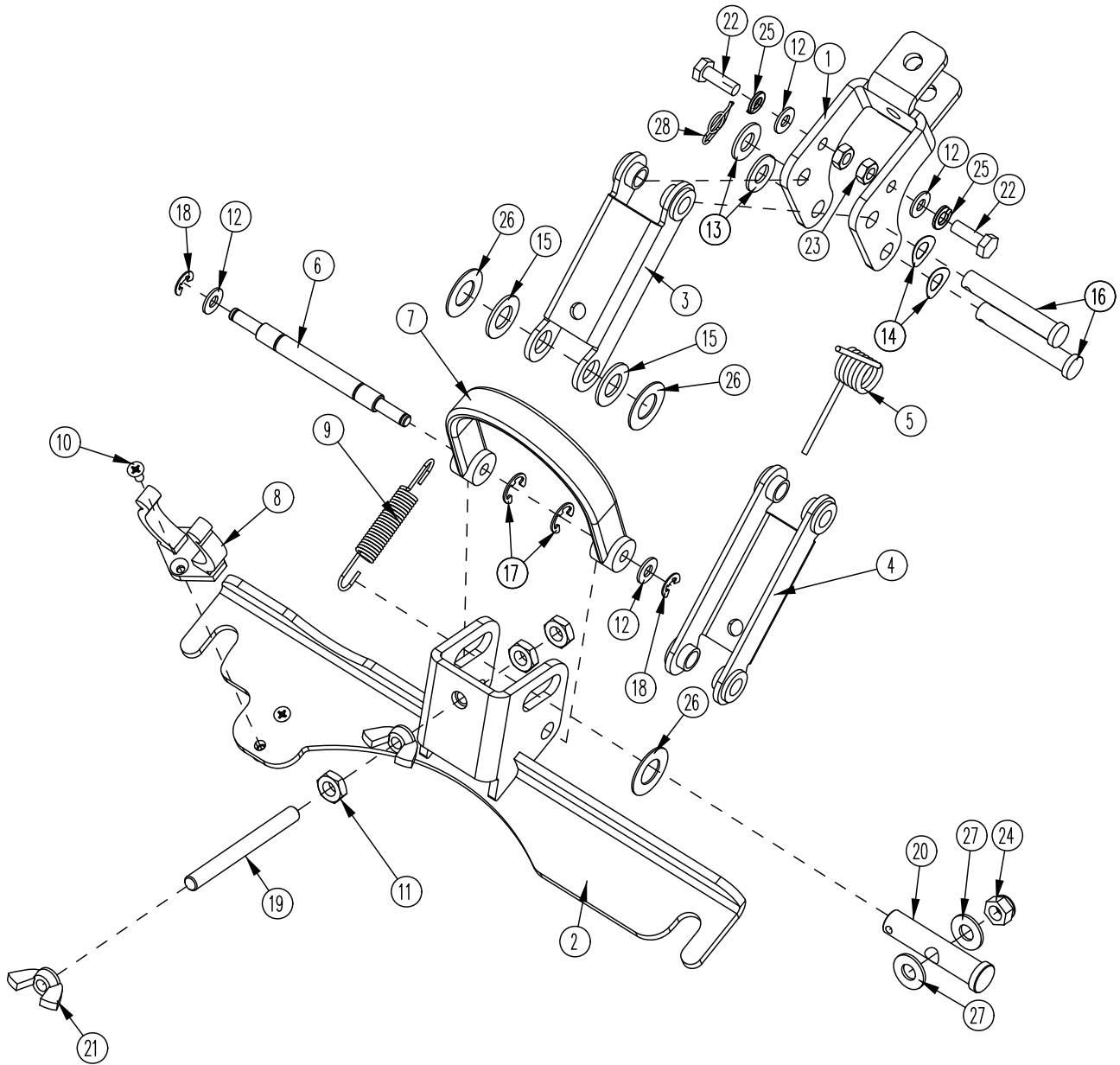
BILL OF MATERIAL - 172141			
ITEM	PART NO.	QTY	DESCRIPTION
1	172140	1	BKT, VAC SWITCH MOUNT
2	172337	1	COVER, VAC SWITCH
3	710493	2	SCR-MC 4-40 X .75 PAN HD
4	711428	2	NUT-HEX 4-40
5	712326	2	WSR-INT LOCK #4
6	747603-2	1	SWITCH ASY, MICRO ROLLER W/PACK/CONDUIT



BILL OF MATERIAL - 172539			
ITEM	PART NO.	REQ'D	DESCRIPTION
1	172274	1	EDGE TRIM, 10" BLACK
2	172437	1	BASE PLAT E SS-FOR 950 CASTING
3	172450	1	BUMPER, 38" SQG
4	430322	2	BUSHING .435 X .625 X .50
5	670093	2	SPRING, COMPRESSION
6	711504	5	WSR-FLAT 1/4 ID SS
7	711527	2	WSR-FLAT .63 X 1.12 X .09
8	712591	6	NUT, ACORN 1/4-20 SS
9	712592	2	SCR-MC BHCS, 1/4-20 X 2.25, SS
10	712593	2	BLT-CARR 1/4-20 X .875 SS
11	712594	2	BLT-CARR 1/4-20 X 1.75 SS
12	712772	3	WSR-FLAT .344 x .75 x .06 SS
13	717029	2	NUT-HEX M8X1.25 SS
14	840202	1	BUSHING-FLG .31 X .437 X .325 NYL
15	3400727	1	PIN-ROLL 1/8 X .50, ZINC
16	11039328	2	BLT-HH M10X25 SS DIN 933
17	90523044	1	CASTING, 950MM SQUEEGEE
18	90548397	2	ROLLER - 100MM PLASTIC BLACK



BILL OF MATERIAL - 172538			
ITEM	PART NO.	QTY	DESCRIPTION
1	172274	1	EDGE TRIM , 10" BLACK
2	172429	2	SPRING, COMPRESSION
3	172448	1	TENSION BAND ASM - LEFT FRONT , 38" w/LATCH
4	172450	1	BUMPER, 38" SQG
5	172539	1	38" SQUEEGEE BASE ASM -E2426
6	430322	2	BUSHING .435 X .625 X .50
7	711527	2	WSR-FLAT .63 X 1.12 X .09
8	712591	2	NUT , ACORN 1/4-20 SS
9	712592	2	SCR-M C BHCS, 1/4-20 X 2.25, SS
10	712772	3	WSR-FLAT .344 x .75 x .06 SS
11	717030	2	BOLT -HH M 8X1.25 X 20 SS
12	840202	1	BUSHING-FLG .31 X .437 X .325 NYL
13	3400727	1	PIN-ROLL 1/8 X .50, ZINC
14	12310264	2	WSR-FLT M 8.4X16X1.6 SS
15	12515094	2	WSR-CONICAL SERRATED T OOT H, M 10.6
16	17133026	2	KNOB, M 10 STAR HANDLE
17	90493560	1	SQUEEGEE BLADE - FRONT , 950mm
18	90494139	1	SQUEEGEE BLADE - REAR, 950mm
19	90513094	2	FIXED CAST OR
20	90531112	10	WSR-FLT 8.3 X 22 X 1MM SS
21	90548397	2	ROLLER - 100MM PLASTIC BLACK
22	96125828	1	TENSION BAND - RIGHT FRONT
23	96125844	1	TENSION BAND - LEFT REAR
24	96125851	1	TENSION BAND - RIGHT REAR



BILL OF MATERIAL - 172150			
ITEM	PART NO.	QTY	DESCRIPTION
1	172134	1	BKT , MAIN SQUEEGEE HINGE
2	172155	1	SQUEEGEE MOUNT WMT
3	172196	1	SQ TOP LIN K W/ BUSHING
4	172197	1	SQ BOT LINK W/ BUSHING
5	172261	1	TORSION SPRING
6	172352	1	PIN , 3 /8 X 3.0, SQ G STRAP
7	172357	1	STRAP, 9 " PU , BLACK
8	260579	1	TOOL CLIP, 1.5" HOSE
9	430051	1	RETURN SPRING -3 .00"
10	710528	2	SCR -MC 8-32 X .37 FH - BR
11	711420	3	NUT - HEX JAM 5 /16-18 ST PL
12	711504	4	WSR -F LAT 1/4 ID SS
13	711515	2	WSR -F LAT .406 X .812 X .0625
14	711523	2	WSR -WAVE .37 X .68 X .08
15	711592	2	WSR -F LAT .506 X .9 X .064 N YL
16	711678	2	CLEVIS PIN 3/8 X 2 -1/4
17	711717	2	RETAINING RING - E TYPE .37
18	711720	2	.250 DIA RETAINING RING - E TYPE
19	712147	1	ROD -THD 5/16 -18 X 3.25 SS
20	712148	1	CLEVIS PIN , 1/2 x 2.25 W/ HOLE
21	712157	2	NUT - WING 5 /16 -18 SS
22	712562	2	BOLT -HH 1 /4-20 X 3 /4 SS
23	712665	2	NUT -HEX 1 /4-20 SS
24	712683	1	NUT , HEX 5/16 -18 NYLOC SS
25	712758	2	WSR -HELICAL 1/4 SS
26	712760	3	WSR -FLAT .56X 1 .06 X.04 SS
27	712772	2	WSR -FLAT .344 x .75 x .06 SS
28	3400125	1	PIN -COTTER 3/8 RUE RING

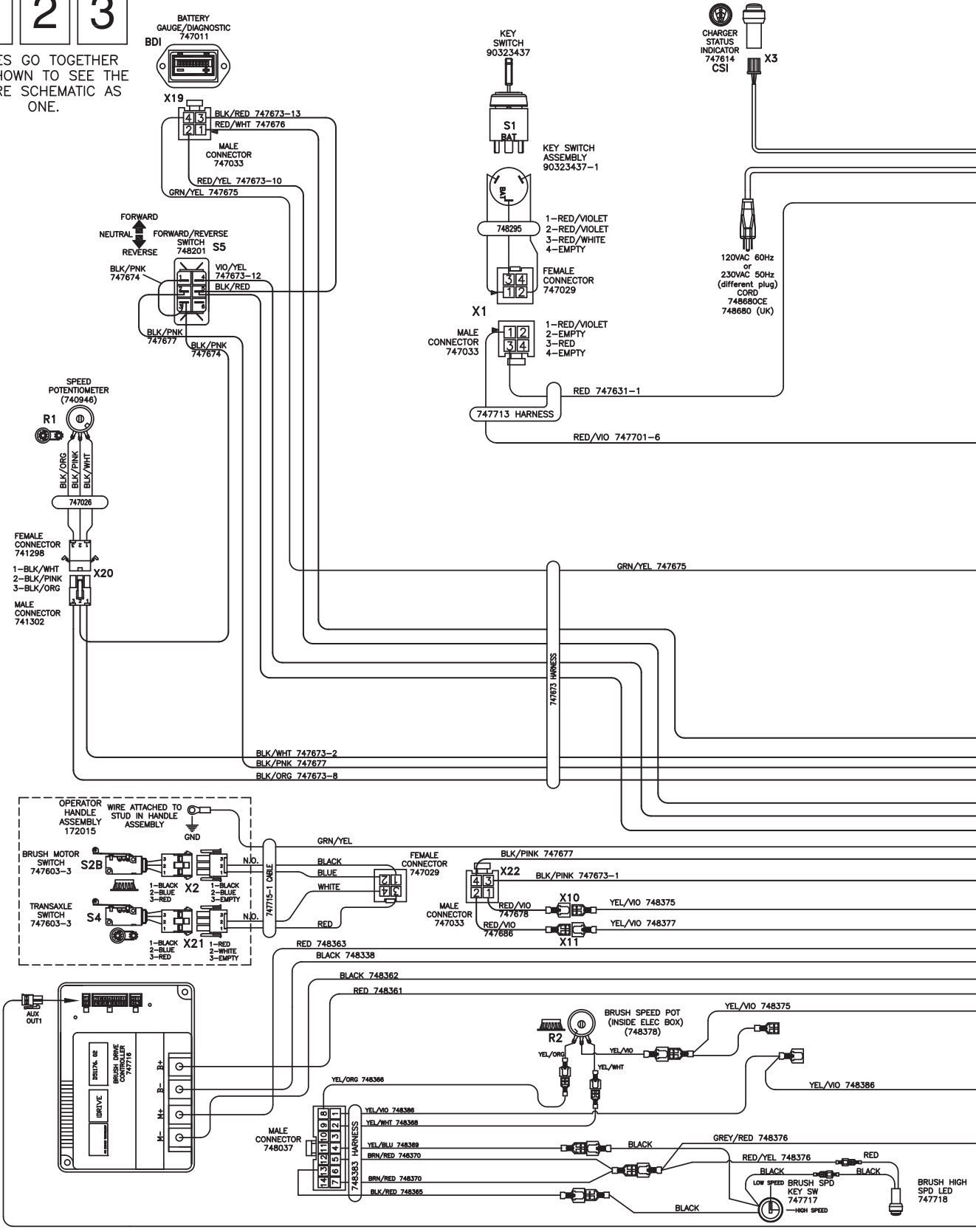
Wiring Diagrams

1

PAGE LAYOUT

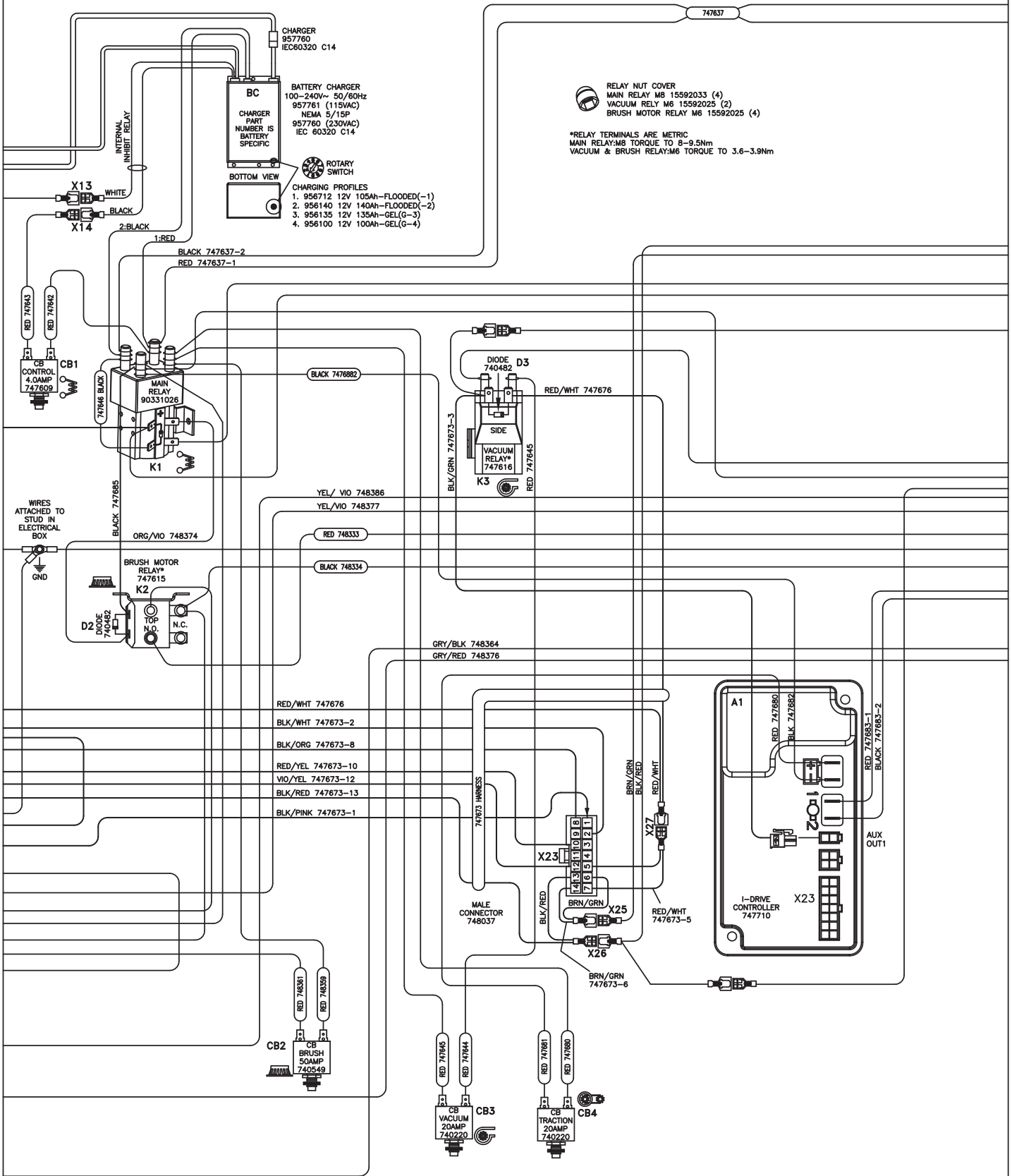
1 2 3

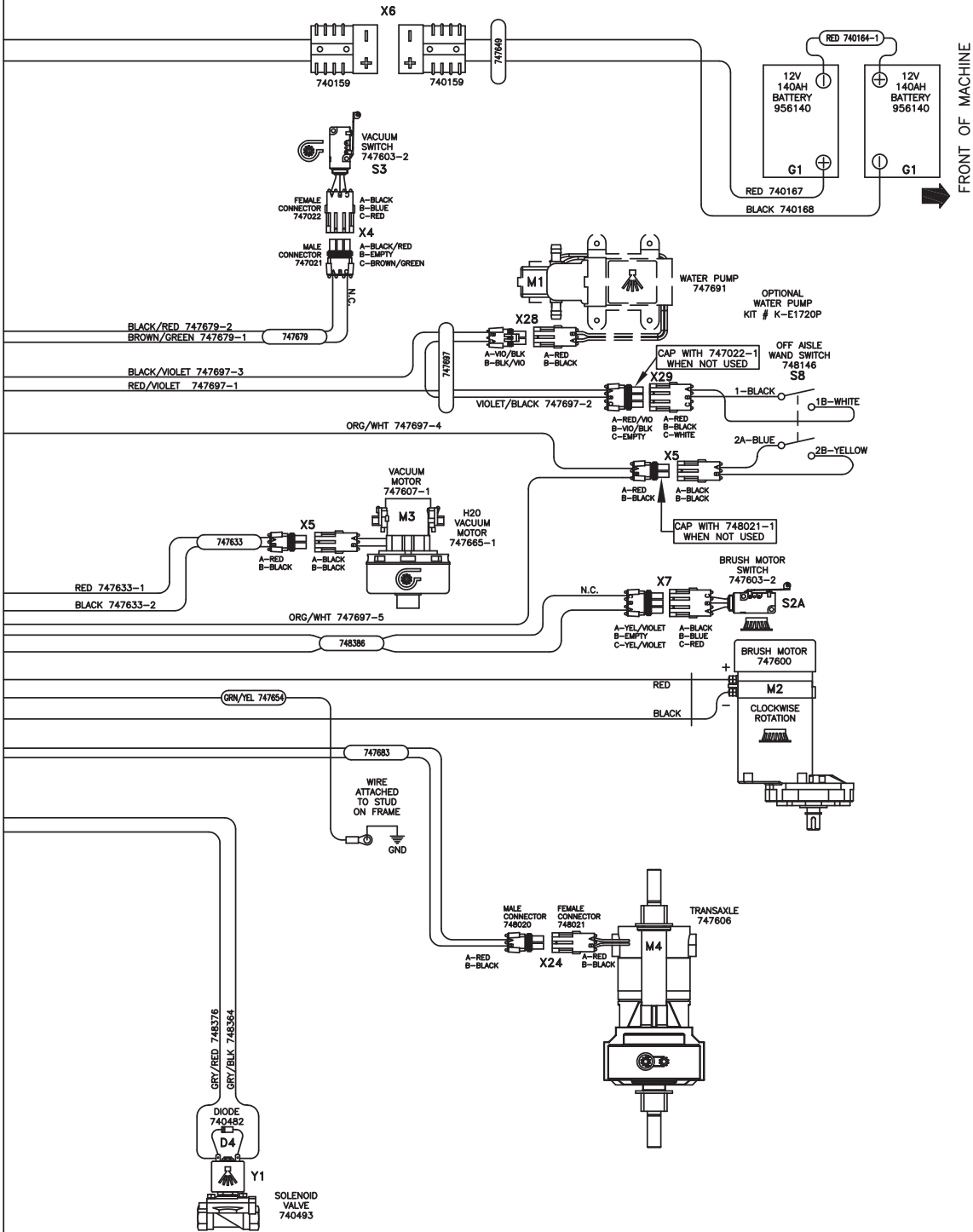
PAGES GO TOGETHER AS SHOWN TO SEE THE ENTIRE SCHEMATIC AS ONE.



745106 REV A

E26 ECO SPORT 1 OF 3







Minuteman International Made Simple Commercial Limited Warranty

REVISION O EFFECTIVE 4/1/2016

Minuteman International, Inc. warrants to the original purchaser/user that the product is free from defects in workmanship and materials under normal use. Minuteman will, at its option, repair or replace without charge, parts that fail under normal use and service when operated and maintained in accordance with the applicable operation and instruction manuals. All warranty claims must be submitted through and approved by factory authorized repair stations.

This warranty does not apply to normal wear, or to items whose life is dependent on their use and care, such as belts, cords, switches, hoses, rubber parts, electrical motor components or adjustments. Parts manufactured by Minuteman are covered by and subject to the warranties and/or guarantees of their manufacturers. Please contact Minuteman for procedures in warranty claims against these manufacturers.

Special warning to purchaser -- Use of replacement filters and/or pre-filters not manufactured by Minuteman or its designated licensees, will void all warranties expressed or implied. A potential health hazard exists without original equipment replacement.

All warranted items become the sole property of Minuteman or its original manufacturer, whichever the case may be.

Minuteman disclaims any implied warranty, including the warranty of merchantability and the warranty of fitness for a particular purpose. Minuteman assumes no responsibility for any special, incidental or consequential damages.

This limited warranty is applicable only in the U.S.A. and Canada, and is extended only to the original user/purchaser of this product. Customers outside the U.S.A. and Canada should contact their local distributor for export warranty policies. Minuteman is not responsible for costs or repairs performed by persons other than those specifically authorized by Minuteman. This warranty does not apply to damage from transportation, alterations by unauthorized persons, misuse or abuse of the equipment, use of non-compatible chemicals, or damage to property, or loss of income due to malfunctions of the product.

If a difficulty develops with this machine, you should contact the dealer from whom it was purchased.

This warranty gives you specific legal rights, and you may have other rights which vary from state to state. Some states do not allow the exclusion or limitation of special, incidental or consequential damages, or limitations on how long an implied warranty lasts, so the above exclusions and limitations may not apply to you.

Model	Parts	Labor	Poly	Travel**
Cord Electric Group	5yrs	3yrs	12yrs	90 days
Battery Operated Group	5yrs	3yrs	12yrs	90 days


Exceptions.....

Model	Parts	Labor	Poly	Travel**
Port A Scrub, all models	1yr	6months	12yrs	90 days
A3S Blower	1yr	1yr	0	0
Phenom Dual Motor Upright Vacuums	2yrs	2yrs	0	0
Explosion Proof Vacuum	1yr	1yr	0	0
Propane Burnisher	1yr	1yr	0	90 days
**Travel, 2 hours max				

<i>Stand-alone Battery Chargers:</i>	One year
<i>Replacement Parts:</i>	Ninety days
<i>Batteries:</i>	0-3 months full replacement, 4-12 months pro-rate
<i>Polypropylene Plastic Tanks:</i>	12yr warranty, no additional labor

“Excellence Meets Clean”

**Minuteman is a Full Line Manufacturer of Sweepers and Scrubbers,
for Industrial Facilities.**



14N845 U.S. Route 20, Pingree Grove, IL 60140 USA
Phone (800) 323-9420 - www.minutemanintl.com
A Member of the Hako Group