

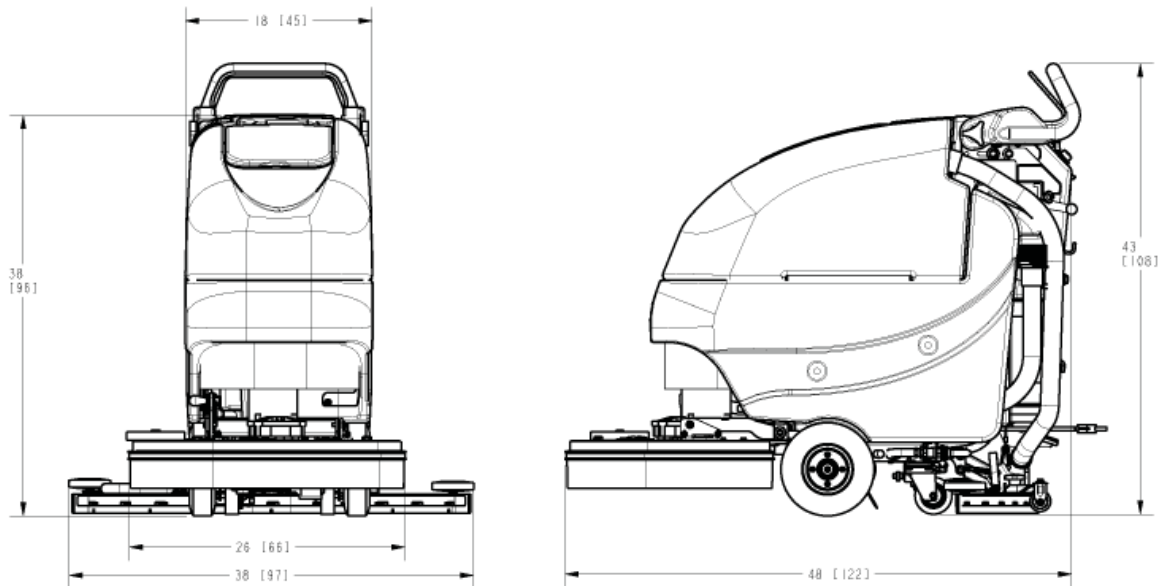


**Parts Manual**  
E26/H26 ECO Floor Scrubber  
Traction Drive Disc

**Model E26ECO Traction Drive Disc**

Model No. E26ECO / E26ECOQP / E26ECOQPG / E26ECOQPT  
 H26ECO / H26ECOQP / H26ECOQPG / H26ECOQPT

Current (Max)	40 amps
Battery Capacity (Lead Acid)	140Ah @20 hr
Battery Capacity (AGM)	100Ah @20 hr
Sound Level	69 dBA
Cleaning path width	26 in (65 cm)
Squeegee width	38 in (95 cm)
Productivity	30,810 ft <sup>2</sup> /hr (2830 m <sup>2</sup> /hr)
Working Speed	2.7 mph (4.3 km per hr)
Transport Speed	2.7 mph (4.3 km per hr)
Rated voltage	24 volts
Vacuum flow	65 cfm (110 m <sup>3</sup> /hr)
Vacuum waterlift	45 inches ( 112mbar)
Vacuum power	.60 HP (450 W)
Brush type	Disc
Brush motor(s) power	3/4 HP (550W)
Number of brushes	2
Brush RPM	180 RPM
Solution capacity	12Gal (45 liters)
Recovery capacity	13 Gal (49 liters)
Working Grade	2%
Weight with batteries	370lbs (168 kg)
Weight without batteries	235 lbs (107 kg)
Dimensions (LxWxH)	48 x 26.0 x 38.0 (112.8 x 47.8 x 107.4 cm)
Drive Motor Power	1/5 HP (150W)

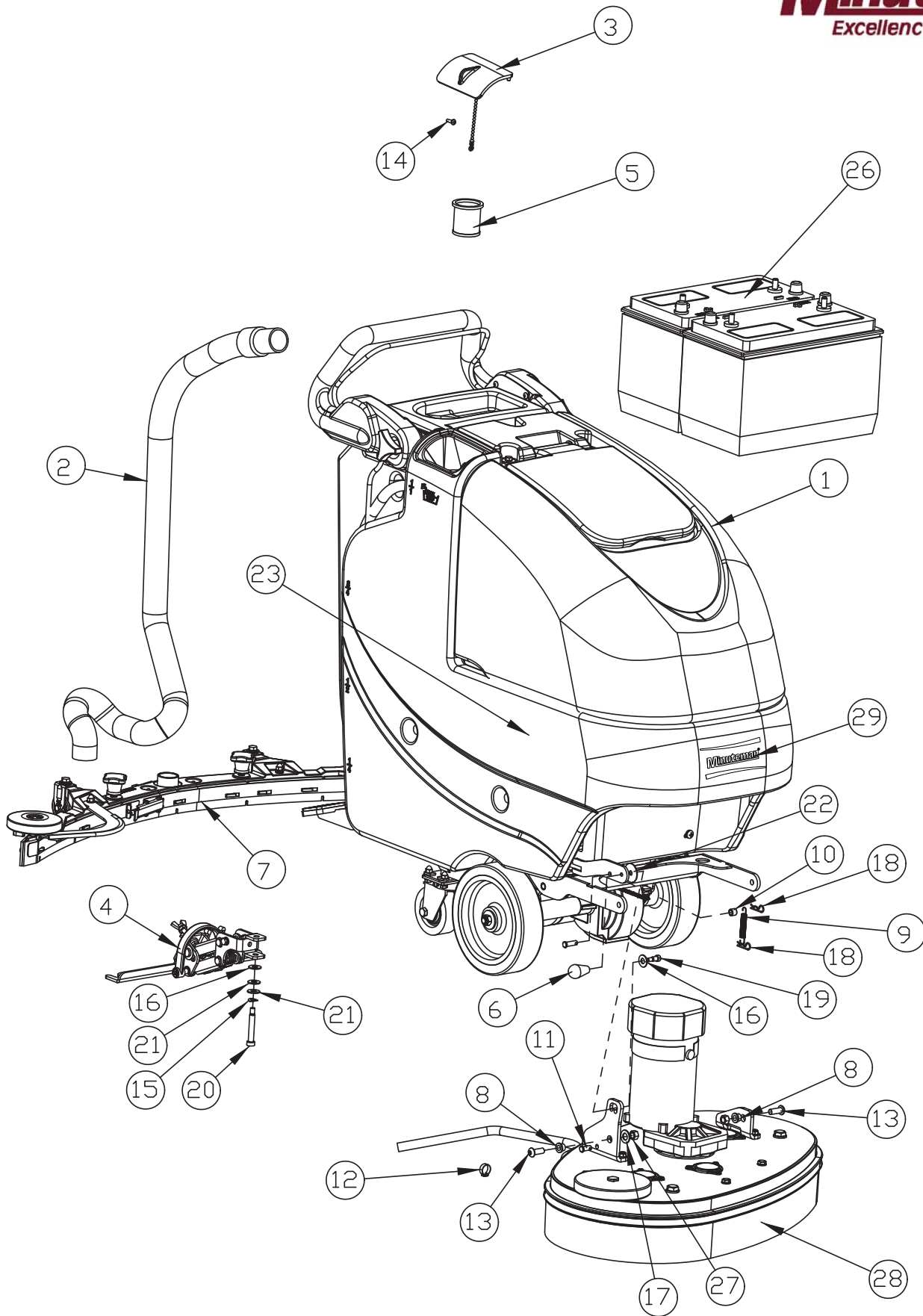


**For Safety When Servicing or Maintaining Machine**

- Stop on level surface.
- Disconnect the power to the machine by pulling the red Battery Connector located under the recovery tank near the batteries.
- Avoid moving parts. Do not wear loose jackets, shirts, or sleeves when working on machine.
- Avoid contact with battery acid. Battery acid can cause burns. When working on or around batteries, wear protective clothing and safety glasses. Remove metal jewelry. Do not lay tools or metal objects on top of batteries.
- Do not clean machine with a pressure washer.
- Authorized personnel must perform repairs and maintenance. Use Carolina Industrial Equipment supplied replacement parts.

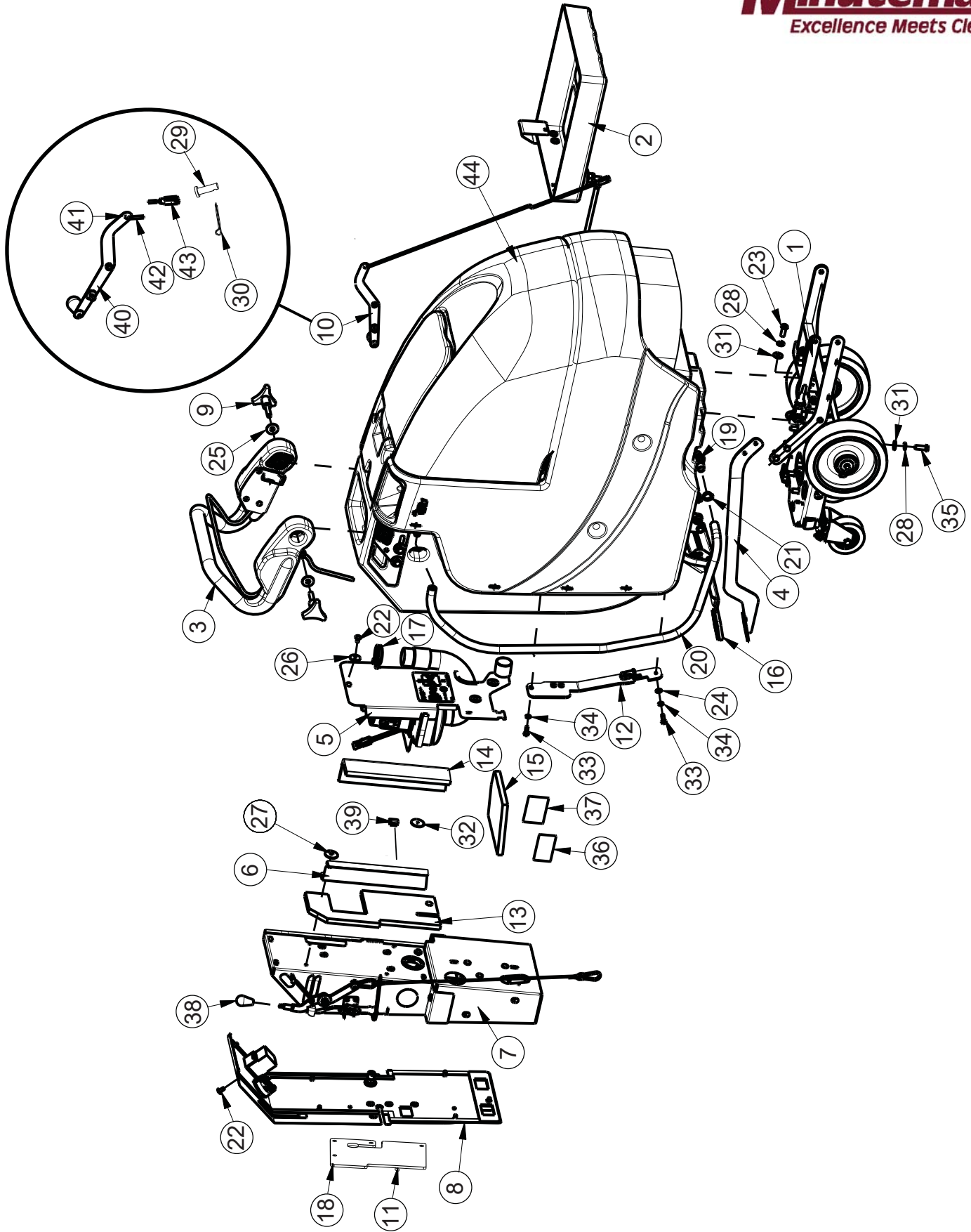
## Table of Contents

Technical Specifications .....	2
Final Assembly .....	4
Final Assembly BOM .....	5
Main Assembly .....	6
Main Assembly BOM .....	7
Chassis Assembly .....	8
Chassis Assembly BOM .....	9
Base Assembly .....	10
Solution Tank Assembly .....	11
Recovery Tank Assembly .....	12
Recovery Tank Assembly BOM .....	13
Handle Assembly .....	14
Handle Assembly BOM .....	15
Solenoid Assembly .....	16
Old Style - Solution Valve Assembly .....	17
New Style - Solution Valve Assembly .....	17
Solution Control Handle Assembly .....	18
Solution Control Handle Assembly BOM .....	19
Battery Tray Assembly .....	20
Battery Tray Assembly BOM .....	21
Electrical Box Assembly .....	22
Electrical Box Assembly BOM .....	23
Electrical Panel Assembly .....	24
Electrical Panel Assembly BOM .....	25
Electrical Box Cover Assembly .....	26
Electrical Box Cover Assembly BOM .....	27
Vacuum Motor Assembly .....	28
Vacuum Motor Assembly BOM .....	29
Brush Deck .....	30
Brush Deck BOM .....	31
Vacuum Switch Assembly .....	32
Rear Squeegee Assembly .....	33
Rear Squeegee Assembly .....	34
Rear Squeegee Assembly BOM .....	35
Squeegee Mechanism Assembly .....	36
Squeegee Mechanism Assembly BOM .....	37
Wiring Diagrams .....	38



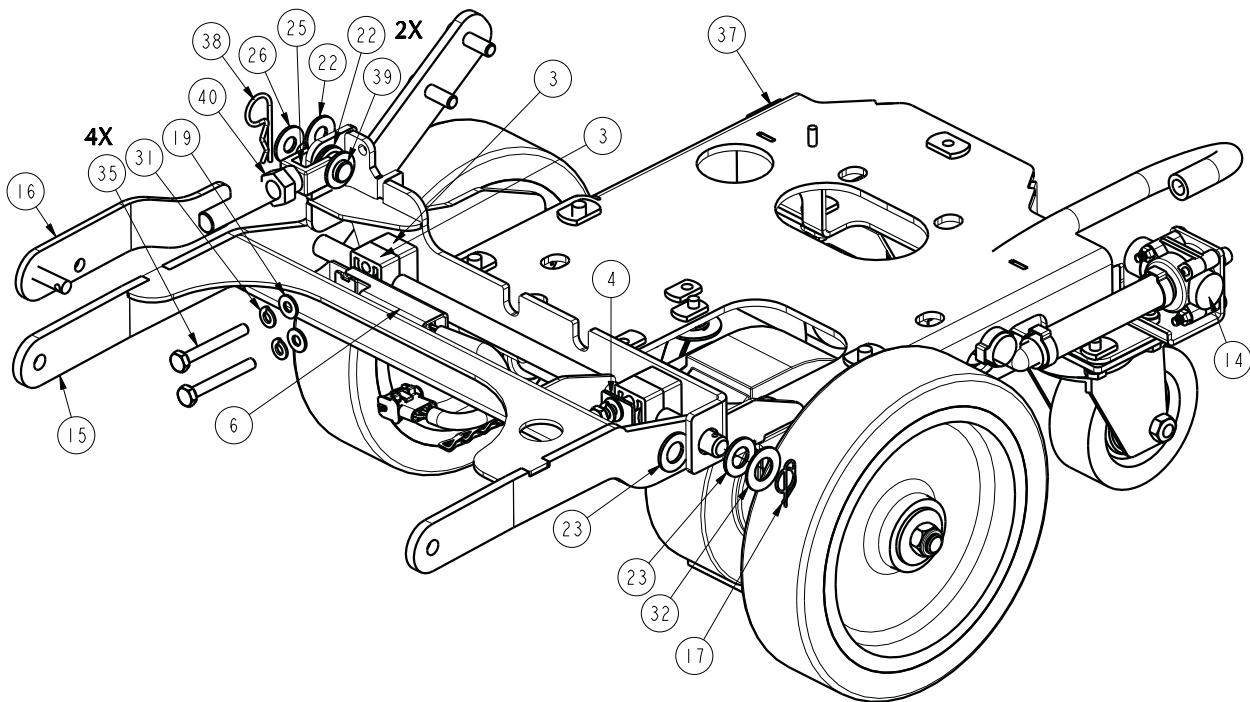
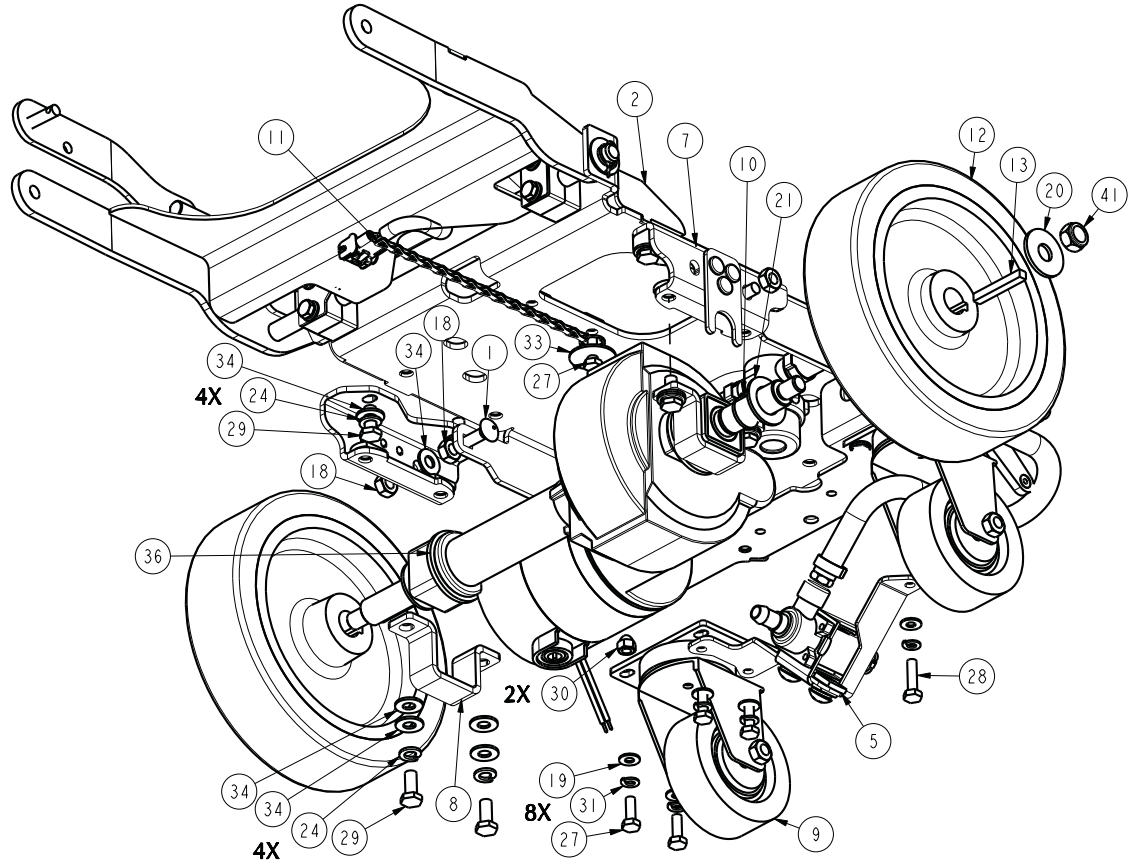
**BILL OF MATERIAL**

ITEM	PART NO.	REQ'D	DESCRIPTION	NOTES
1	171001-26	1	BASE ASM	
2	172010	1	HOSE, CLEAR VAC W/ 90 CUFF	
3	172018	1	SOLUTION TANK LID ASSY	
4	172150	1	SQUEEGEE LIFT MECH ASSY	
5	172159	1	FILTER, FILL PORT , ES1720	
6	172423	1	KNOB, TAPERED 1/4-20	
7	172538	1	38" SQUEEGEE ASM, E26ECO	
8	260066	2	OILITE BUSHING	
9	281047	1	SPRING, EXTENSION - 2.75"	
10	370058	1	BUSHING, .31 X .48X.385 SS	
11	450034	1	CLEVIS PIN, 5/16 X .75 LG	
12	450076	1	CLAMP-CRIMP 185R SS	
13	710995	2	SCR-SC 3/8-24 X 1.0 BHEAD ST PL	
14	711118	1	SCR-ST-A 10 X .75 SS	
15	711523	1	WSR-WAVE .37X .68 X .08	
16	711569	2	WSR-FLT .390 X .880 X .062 NYL	
17	711592	1	WSR-FLAT .506 X .9 X .064 NYL	
18	711808	2	COTTER PIN-HAIR #13	
19	712041	1	BLT- SHLDR .31 X .375 X 1/4-20	
20	712143	1	BLT-SHLD 3/8 X 2.0, 5/16-18	
21	712301	2	WSR-FLAT .37 X .87 X .06	
22	712759	1	WSR- FLT .31 X 1.37 X .06 SS	
23	715921	2	DECAL, E26ECO	NOT SHOWN
23H	715921HSP	2	DECAL, H26ECO	NOT SHOWN
24	740164-1	1	JUMPER CABLE ASSY, RED 4G 12"	NOT SHOWN
25	747649	1	CABLE ASSY, BATTERY E17	NOT SHOWN
26	956140	2	BATTERY, 12V 140AH	
26G	956100	2	BATTERY-AGM 12V 100AH	
26T	956753	2	BATTERY WET 12V 130AH TROJAN	
27	3400067	2	NUT-HEX 3/8-24 ZP	
28	99711100	1	26ECO DISC BRUSH DECK	
29	715914W	1	DECAL, MINUTEMAN	
30	172008	1	SOLUTION TANK LID	COMPONENT OF ITEM 3
31	172123	1	CHAIN, BEADED SS W/EYELET S	COMPONENT OF ITEM 3
32	712145	1	SCR-MC 6-32 X .37 PPH SS	COMPONENT OF ITEM 3





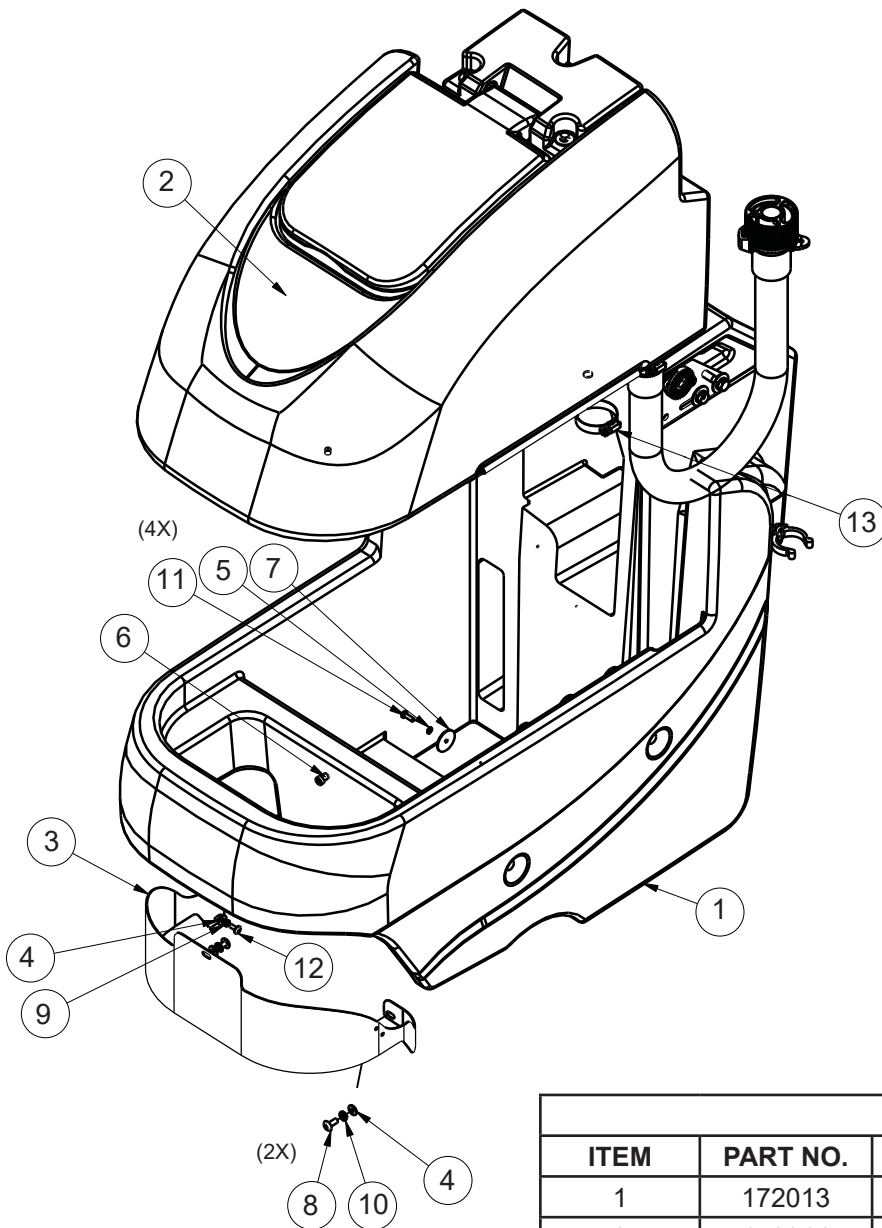
BILL OF MATERIAL							
ITEM	PART NO.	QTY	DESCRIPTION	ITEM	PART NO.	QTY	DESCRIPTION
1	172409	1	CHASSIS ASM, E26ECO	23	710985	2	SCR-SC 3/8-16 X .62 ST PL
2	172012	1	BATTERY TRAY ASSY	24	711504	2	WSR-FLAT 1/4 ID SS
3	172015-26	1	HANDLE ASSEMBLY, E26ECO	25	711507	2	WSR-FLAT .37 X 1.12 X .06
4	172032	1	LIFT PEDAL WMT	26	711519	3	WSR- FLAT .25 X 1.01 X .06
5	171022	1	VACUUM MOTOR ASSEMBLY	27	711543	1	WSR-HELICAL #10
6	172055	1	BKT, VAC AREA INSIDE COVER	28	711546	6	WSR-HELICAL 3/8
7	171020-ECO	1	ELEC BOX ASSY - ECO	29	711803	1	COTTER PIN-HAIR
8	172079	1	TD COVER WMT	30	712117	1	CLEVIS PIN
9	172085	2	KNOB, 3/8-16 STUD, 3 LOBE	31	712301	6	WSR-FLAT .37 X .87 X .06
10	172112	1	SOL CONTROL ASSY	32	712312	2	WSR-FLAT .187 X 1.25
11	172129	1	BKT, PWR CORD MOUNT	33	712562	2	BOLT-HH 1/4-20X3/4 SS
12	172032	1	LIFT PEDAL WMT	34	712758	2	WSR-HELICAL 1/4 SS
13	172184	1	FOAM COVER, REAR 1	35	713042	4	BLT-HH 3/8-16 X 1 #5
14	172185	1	FOAM COVER, REAR 2	36	715029	1	DECAL-NAME PLATE SERIAL
15	172187	1	FOAM COVER, FRONT 2	37	715047	1	DECAL-CLEAR LAMINATE 2X3
16	210142	1	PEDAL PAD	38	760592	1	KNOB, OVAL TAPERED
17	3303255	1	CLAMP-HOSE 1.75 DIA NOM.	39	809443	1	CLIP-WIRE & CORD
18	293080	1	STRAIN RELIEF-HEYCO 1207	40	172115	1	SOL CNTRL LEVER ASSY
19	342440	1	FITTING, TEE 3/4MPT 1/2BARB PP	41	172122	1	NUT, PUSH-ON WSR CAP, 3/16
20	430156	1	HOSE, 1/2 X 42 CLEAR	42	172069	1	ROD, SOL. CTRL, ES1720
21	450093	2	CRIMP CLAMP 3/4" STEP- LESS	43	172062	1	YOKE, 3/16 CLEVIS, 10-32, LONG
22	710178	10	SCR-MC 1/4-20 X .50 TRUSS STPL	44	171010-ECO	1	17/20 ECO ASSY



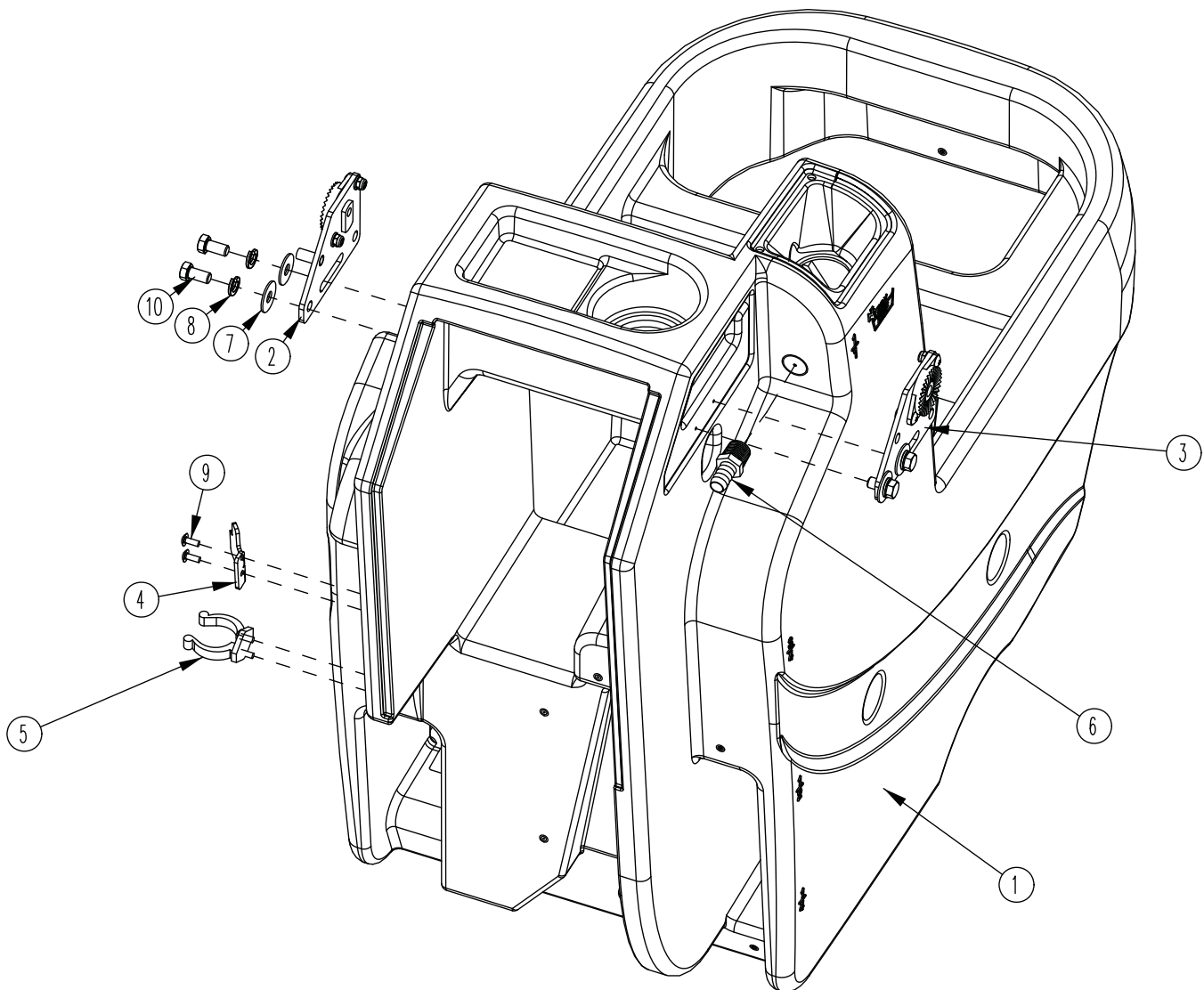


## BILL OF MATERIAL - 172409

ITEM	PART #	QTY	DESCRIPTION	ITEM	PART #	QTY	DESCRIPTION
1	70-516-16	2	BLT-CARR 5/16-18 X 1 ZP	22	711569	3	WASHER-FLAT .390 X .880 X .062 NYL
2	172020	1	E1720 MAIN FRAME WMT	23	711592	2	WASHER-FLAT 1/2 X .90 X .064 NYLON
3	172038	4	BEARING BLOCK	24	712140	8	WASHER-LOCK 5/16 SPLIT SS
4	172039	1	BEARING BLOCK PLATE	25	712265	1	CLEVIS-YOKE, 1/2-20 WITH .375 PIN
5	172104	1	SOLENOID MOUNT ASSY	26	712301	2	WASHER-FLAT 3/8 X .87 X .06 ZP
6	172110	1	DECK SWITCH ASSY	27	712562	8	SCR-HH 1/4-20 X .75, 18-8 SS
7	172113	2	BKT, TRANSAXLE MOUNT BASE	28	712564	1	SCR-HH 1/4-20 X 1.00 SS
8	172114	2	BKT, TRANSAXLE MOUNT	29	712575	8	SCR-HH 5/16-18 X .75 18-8 SS
9	172167	2	CASTER, 3 1/2" PU WHEEL	30	712591	2	NUT-ACORN 1/4-20 SS
10	172425	2	RING-RET EXT .75/20mm HD	31	712758	12	WASHER-LOCK 1/4 SPLIT SS
11	172516	1	DRAG CHAIN, SS, 8" W/ RING	32	712760	1	WASHER-FLAT .56 X 1.06 X .04 SS
12	172518	2	WHEEL, 8X2 PU GROOVED	33	712761	1	WASHER-FENDER 1/4 X 1.25 X .059 SS
13	172519	2	KEY-SQUARE 6MM X 45MM	34	712772	14	WASHER-FLAT .344 X .75 X .06 SS
14	172571	1	ASSY-SOLUTION VALVE E1720	35	713007	4	SCR-HH 1/4-20 X 2.00 ZP GR 5
15	245700	1	WELDMENT, SH LIFT ARM, 2 DEGREE	36	747606	1	TRANSAXLE, E1720 24V
16	245703	1	WELDMENT, UPPER ARM	37	809444	1	CLIP-CORD
17	600578	1	RING-RUE .50 ZP	38	833374	1	PIN-HAIRPIN COTTER 3/8
18	711383	4	NUT-HEX 5/16-18 ZP REVERSE LOC	39	833833	1	PIN-CLEVIS 3/8 X 1.25
19	711504	12	WASHER-FLAT 1/4 SS	40	3400449	1	NUT-JAM 1/2-20 ZP
20	711510	2	WASHER-FLAT 1/2 X 1.37 X .10 ZP	41	12040077	2	NUT-NYLOC M12 X 1.75 ZD CLASS 8
21	711512	2	WASHER-FLAT 3/4 X 1.37 X .08 ZP				

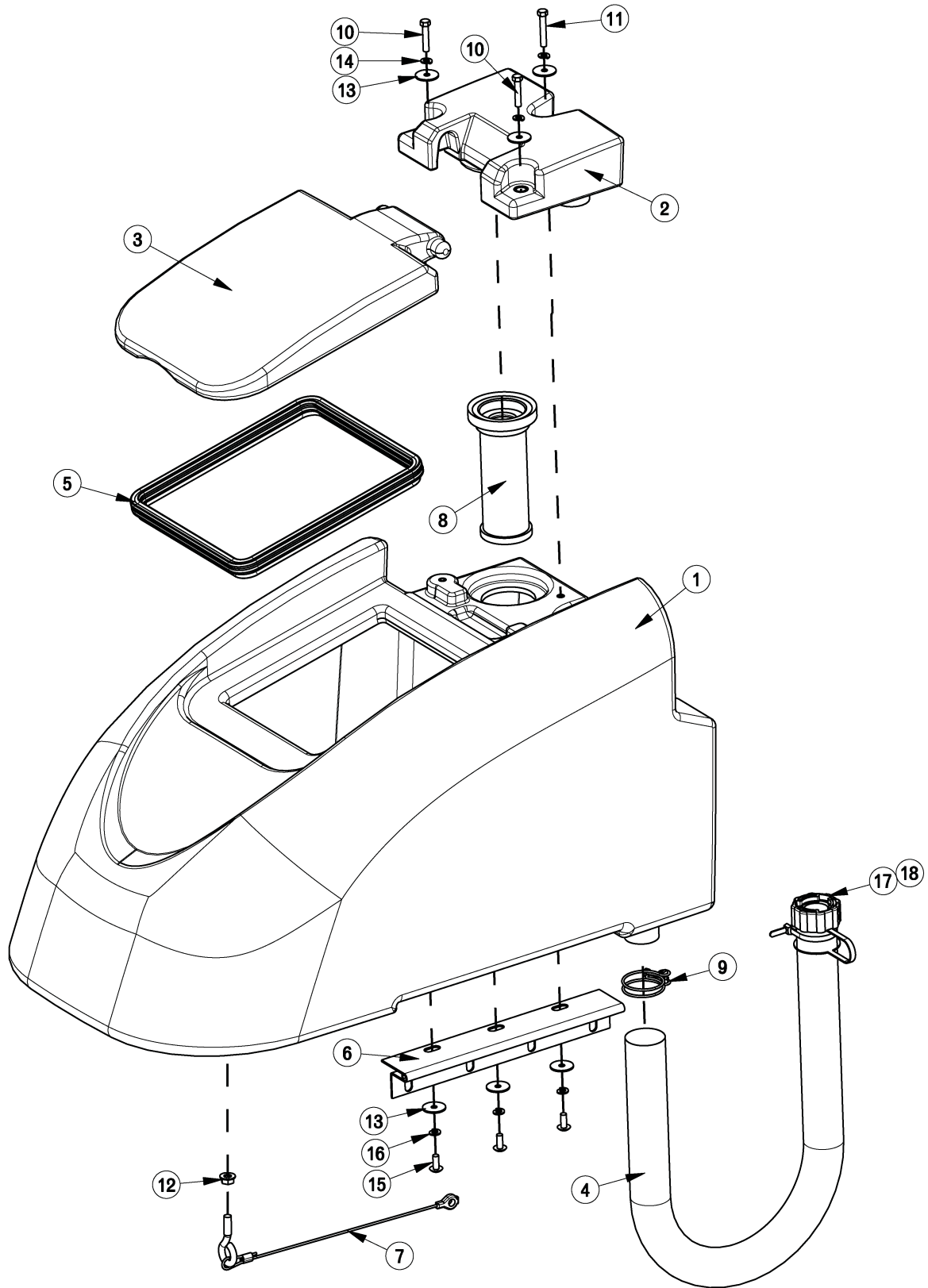


BILL OF MATERIAL			
ITEM	PART NO.	QTY	DESCRIPTION
1	172013	1	SOL TANK ASSY, E1720
2	172014	1	REC TANK ASSY
2H	172014HSP		REC TANK ASSY-HSP VERSION
3	172144	1	PANEL, FRONT 1720
4	711504	3	WSR-FLAT 1/4 ID SS
5	711543	4	WSR-HELICAL #10
6	712041	1	BLT- SHLDR 1/4-20 X .44 X .37
7	712312	4	WSR-FLAT .187 X 1.25
8	712565	2	SCR-MC 1/4-20X.63 SS TR HD
9	712757	1	WSR - HELICAL #10 SS
10	712758	2	WSR-HELICAL 1/4 SS
11	712812	4	SCR-MC 10-24 X .62 PPH ST PL
12	712822	1	SCR-MC TR HD 10-24 X .50 SS
13	3303255	1	CLAMP-HOSE 1.75 DIA NOMINAL

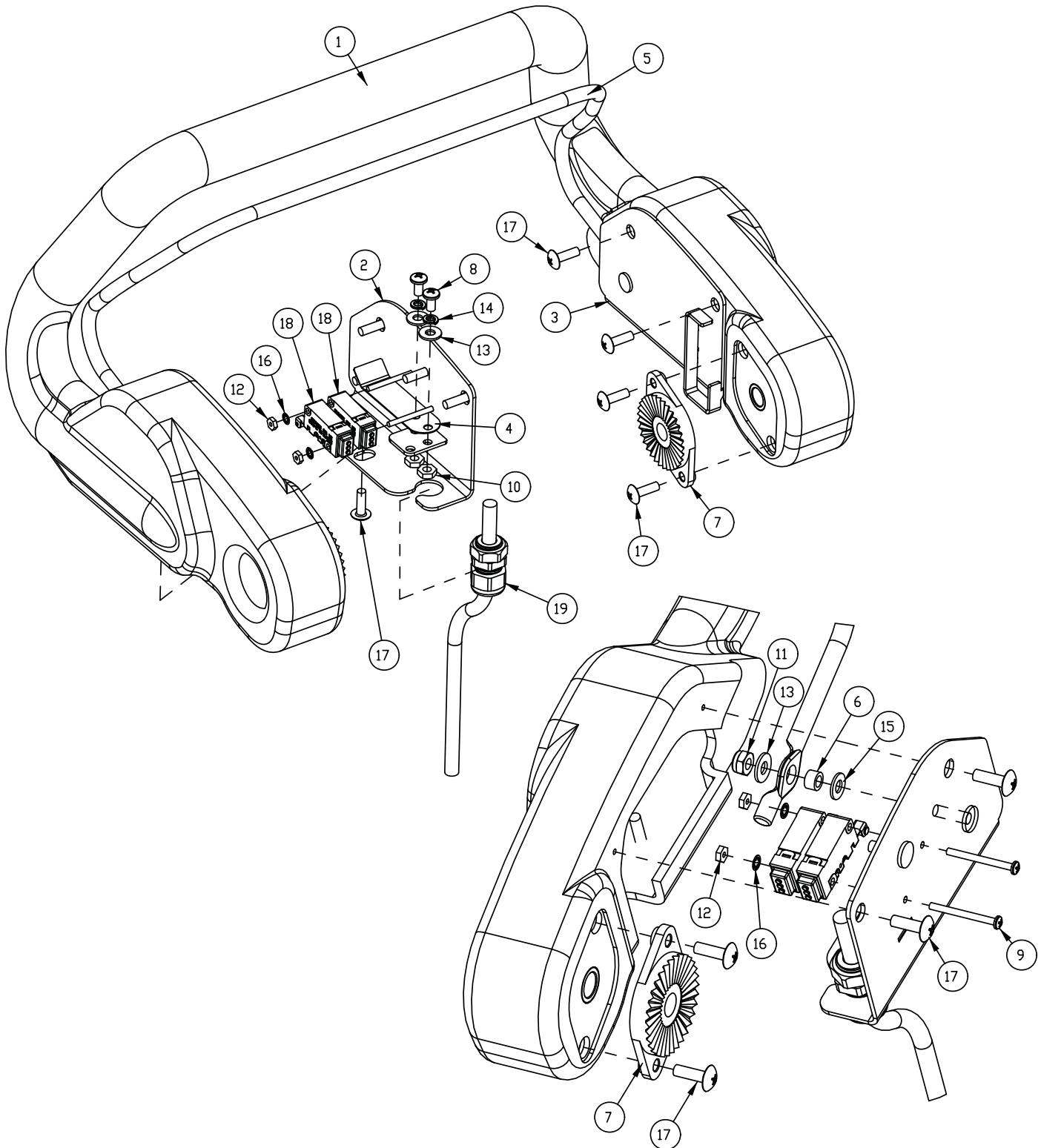


**BILL OF MATERIAL - 172013**

ITEM	PART NO.	REQ'D	DESCRIPTION
1	172003	1	SOLUTION TANK
2	172080	1	HANDLE MOUNT ASSY , LEFT
3	172082	1	HANDLE MOUNT ASSY , RIGHT
4	172341	1	HOOK , DRAIN HOSE WITH TWIST VALVE
5	260579	1	TOOL CLIP , 1.5" HOSE
6	342438	1	FITTING , 1/2 MPT 1/2 HB BRASS
7	711507	4	WASHER-FLAT 3/8 X 1.12 X .06
8	711546	4	WSR-HELICAL 3/8
9	712822	4	SCR-MC TR HD 10-24 X .50 SS
10	713041	4	BLT-HH 3/8 -16 X 3/4 #5

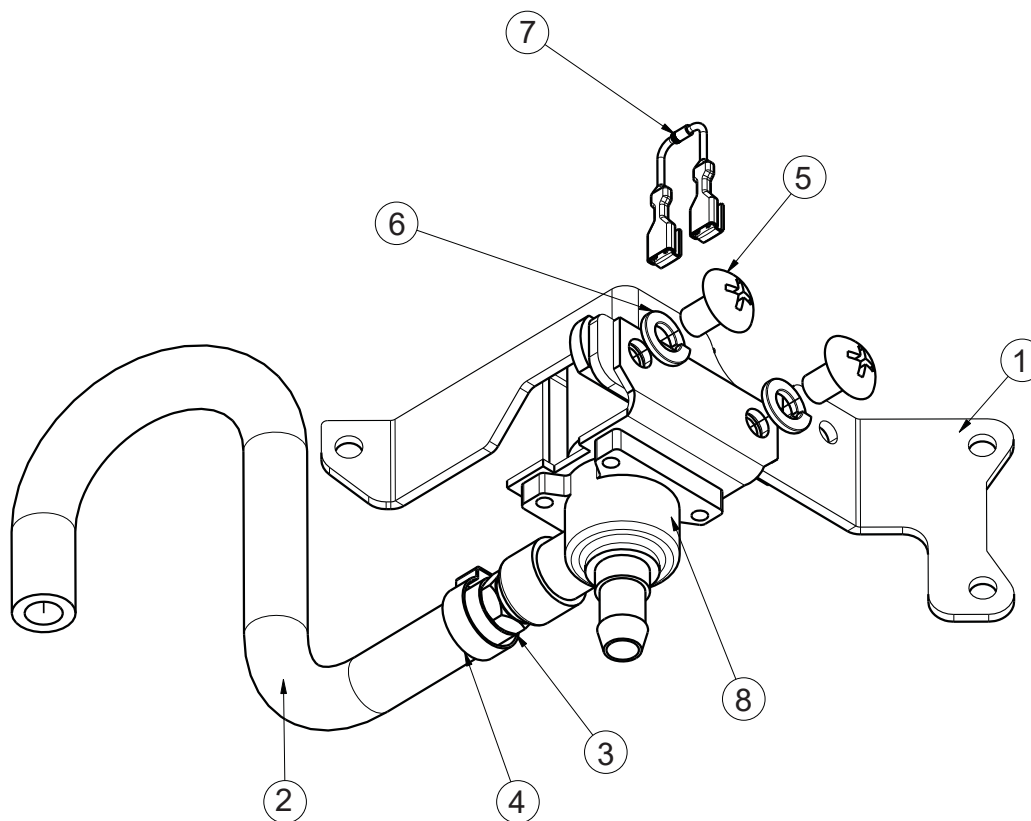


BILL OF MATERIAL - 172014				
ITEM	PART NO.	REQ'D	DESCRIPTION	NOTES
1	172004	1	RECOVERY TANK	
1H	172004HSP		RECOVERY TANK-HSP VERSION	
2	172005	1	VACUUM MANIFOLD	
2H	172005HSP		VACUUM MANIFOLD-HSP VERSION	
3	172007	1	LID	
4	97090096	1	DRAIN HOSE ASSY, RECOVERY TANK	INCLUDES ITEMS 17 & 18
5	172017	1	GASKET, LID	
6	172049	1	HINGE, RECOVERY TANK	
7	172394	1	REC TANK CABLE ASSY 11.625	
8	172132	1	SCREENED FLOAT	
9	3303255	1	CLAMP-HOSE 1.75 DIA NOMINAL	
10	711210	2	BLT-HH 1/4-20 X 1.25 STPL	
11	711212	1	BLT-HH 1/4-20 X 1.50 STPL	
12	711379	1	NUT, FLANGED WIZZ 5/16-18	
13	711519	6	WSR- FLAT .25 X 1.01 X .06	
14	711544	3	WSR-HELICAL 1/4	
15	712565	3	SCR-MC 1/4-20X.63 SS TR HD	
16	712758	3	WSR-HELICAL 1/4 SS	
17	15282072	1	REPLACEMENT O-RING (NOT SHOWN)	
18	90304528	1	REPLACEMENT CAP	



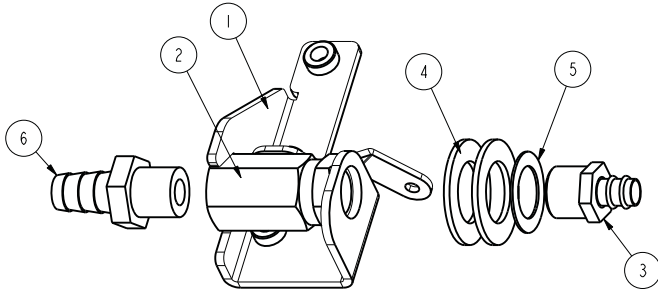


BILL OF MATERIAL 172015			
ITEM	PART NO.	REQ'D	DESCRIPTION
1	172006	1	ES 1720 HANDLE
2	172053	1	BAIL PLATE WMT RH
3	172054	1	BAIL PLATE WMT LH
4	172057	2	ES 1720 LEAF SPRIN G
5	172059	1	ES 1720 BAIL , HANDLE
6	172074	2	SPACER , 5/16 OD X 17 GA, ALUM
7	270143	2	HAND LE PIVOT JAW
8	710353	4	SCR -MCRD HD 10-32 X .37 STL
9	710495	2	SCR -MC 4-40 X 1.25 STL Z
10	711310	4	NUT , HEX 1 0 -3 2 ST PL
11	711350	2	NUT -NYLOC 10-32
12	711428	2	NUT -HEX 4-40
13	711503	6	WSR , FLAT #10
14	711543	4	WSR -HELICAL #10
15	712320	2	WSR -NYLON .22 X .45 X .04
16	712326	2	WSR -INT LOCK # 4
17	712830	10	SCR -MC 10 -24 X .62 ST LZ TRHD
18	747603-3	2	SWITCH ASY, MICROROLLER w /MATENLOK
19	747715-1	1	CABLE ASY, 5 COND 18 GE172 0TD



BILL OF MATERIAL - 172104			
ITEM	PART NO.	QTY	DESCRIPTION
1	172105	1	BKT, SOLENOID MOUNT
2	281637	1	HOSE-WIRE REINF 3/8 X 11"
3	320264	1	FTG-ADPTR 1/4 MPT X 1/4 HB BRASS
4	450076	1	CLAMP-HOSE 5/8 (.590-.791) SS
5	710195	2	SCR-PHMS 5/16-18 X .50 ZP
6	711545	2	WASHER-LOCK 5/16 SPLIT ZP
7	740482	1	DIODE ASY, 1N4007 W/PIGGY
8	740493	1	VALVE-WATER 24VDC

## Old Style - Solution Valve Assembly



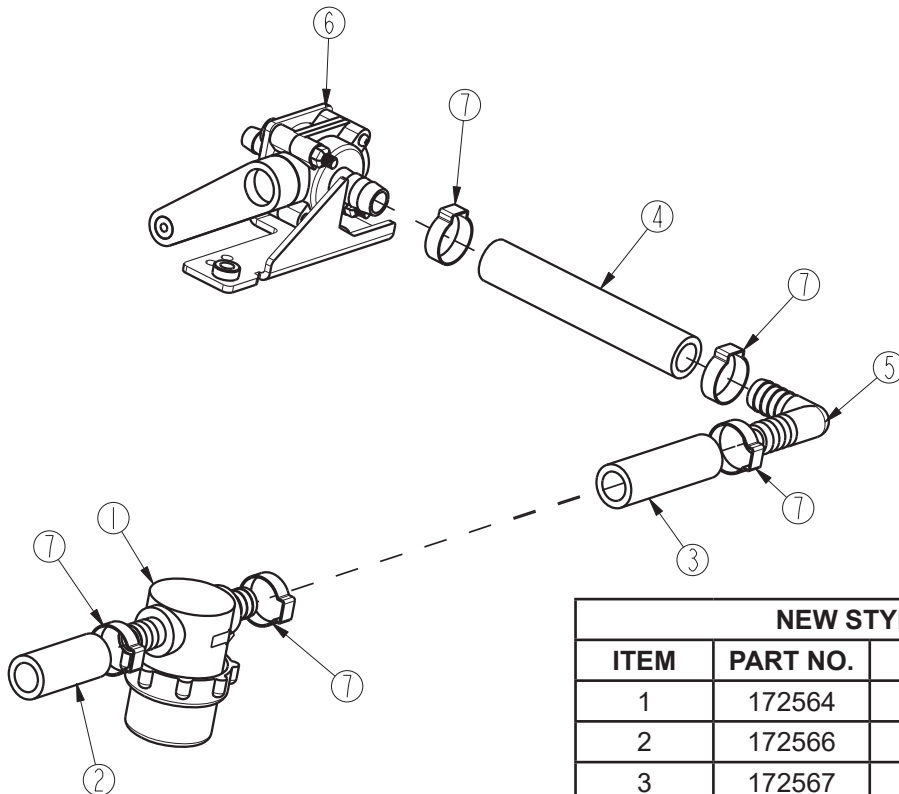
**\*\*\*REPLACING OLD STYLE BRASS SOLUTION VALVE ASSEMBLY 172514 WITH 172571 PLASTIC SOLUTION VALVE ASSEMBLY**

**WILL REQUIRE THE PURCHASE OF KIT K-172571**

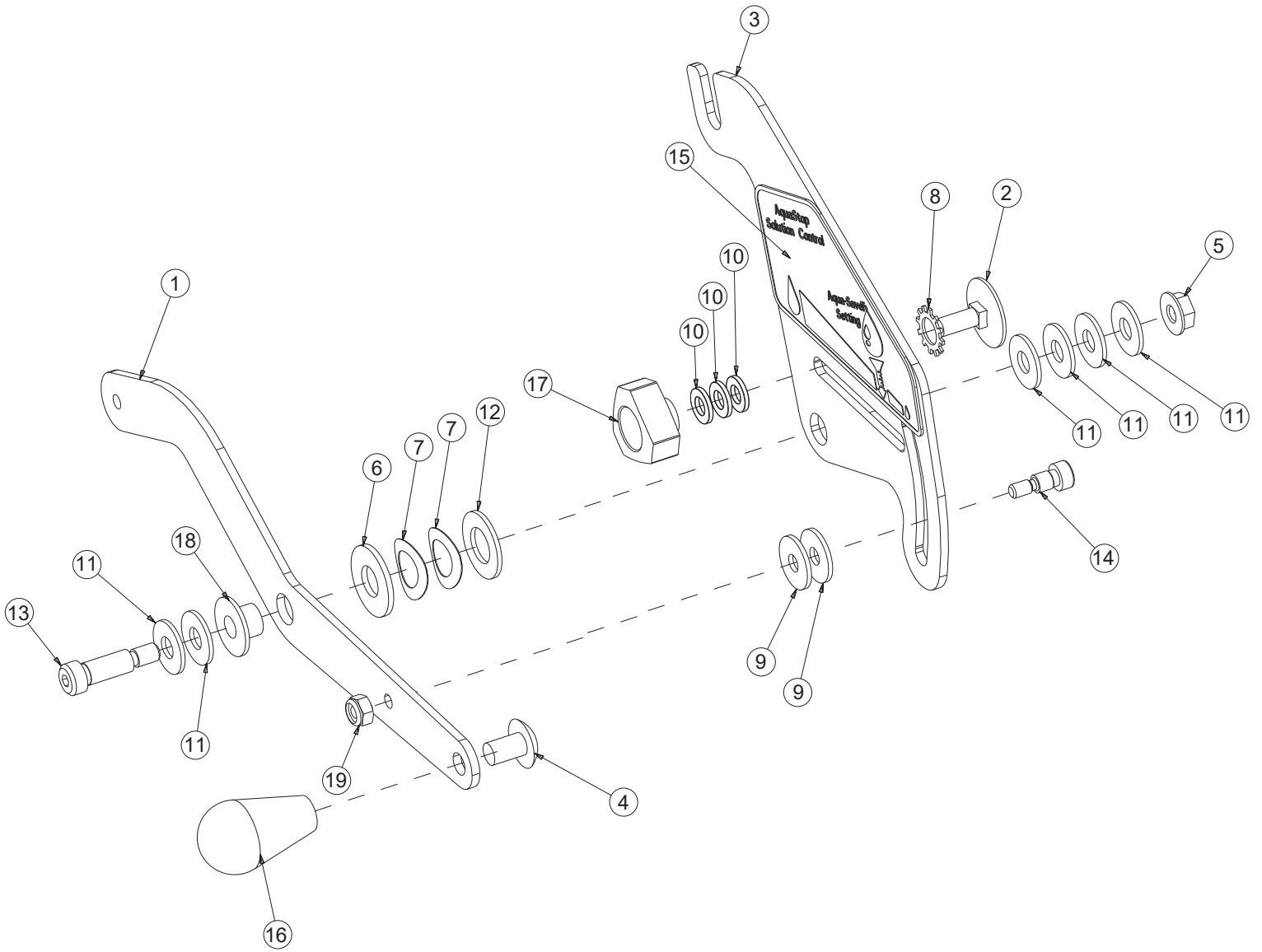
**NO LONGER AVAILABLE**

OLD STYLE - BILL OF MATERIAL - 172514			
ITEM	PART NO.	QTY	DESCRIPTION
1	172513	1	BRKT, SOL VALVE MOUNT
2	172515	1	BALL VALVE, BRASS, 3/8FNPT, CUST HANDLE
3	320265	1	FTG-ADAPTER 3/8 MPT X 3/8 HB BRASS
4	711512	2	WASHER-FLAT 3/4 X 1.37 X .08 ZP
5	711513	1	WASHER-FLAT .689 X 1.06 X .029 SS
6	827008	1	FTG-ADAPTER 3/8 MPT 1/2 HB BRASS

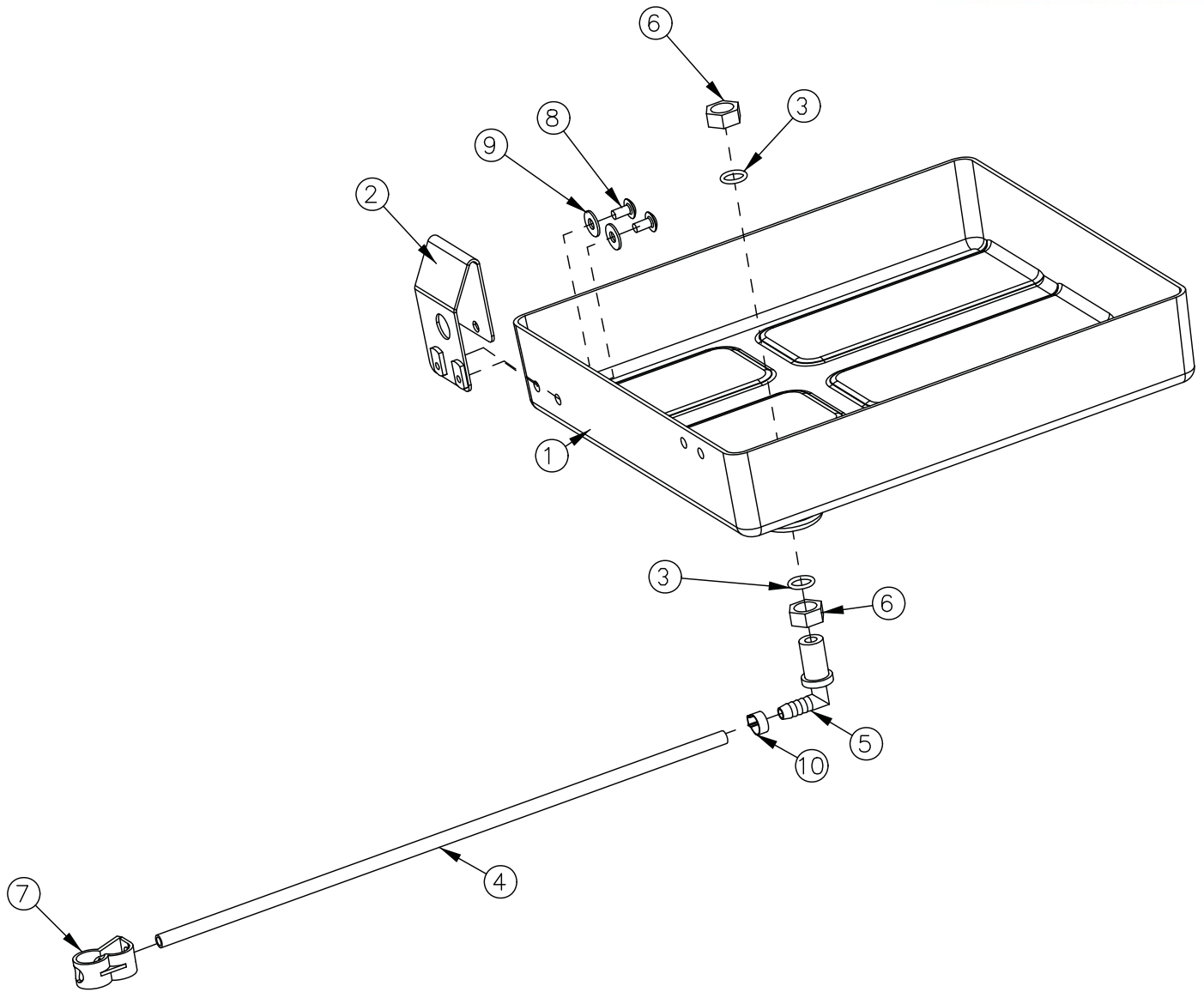
## New Style - Solution Valve Assembly



NEW STYLE - BILL OF MATERIAL - 172571			
ITEM	PART NO.	QTY	DESCRIPTION
1	172564	1	FILTER-SOLUTION E1720
2	172566	1	HOSE- 1/2ID X 1.75" NYLOBRAID
3	172567	1	HOSE-1/2"ID X 2.375" NYLOBRAID
4	172568	1	HOSE-WIRE REINF 1/2"ID X 4.25"
5	172569	1	FTG-ELBOW 90 1/2 HB X 1/2 HB NYLON
6	172579	1	SOLUTION CNTRL VALVE, WITH BRKT
7	383347	5	CLAMP-CRIMP 1/2 HOSE

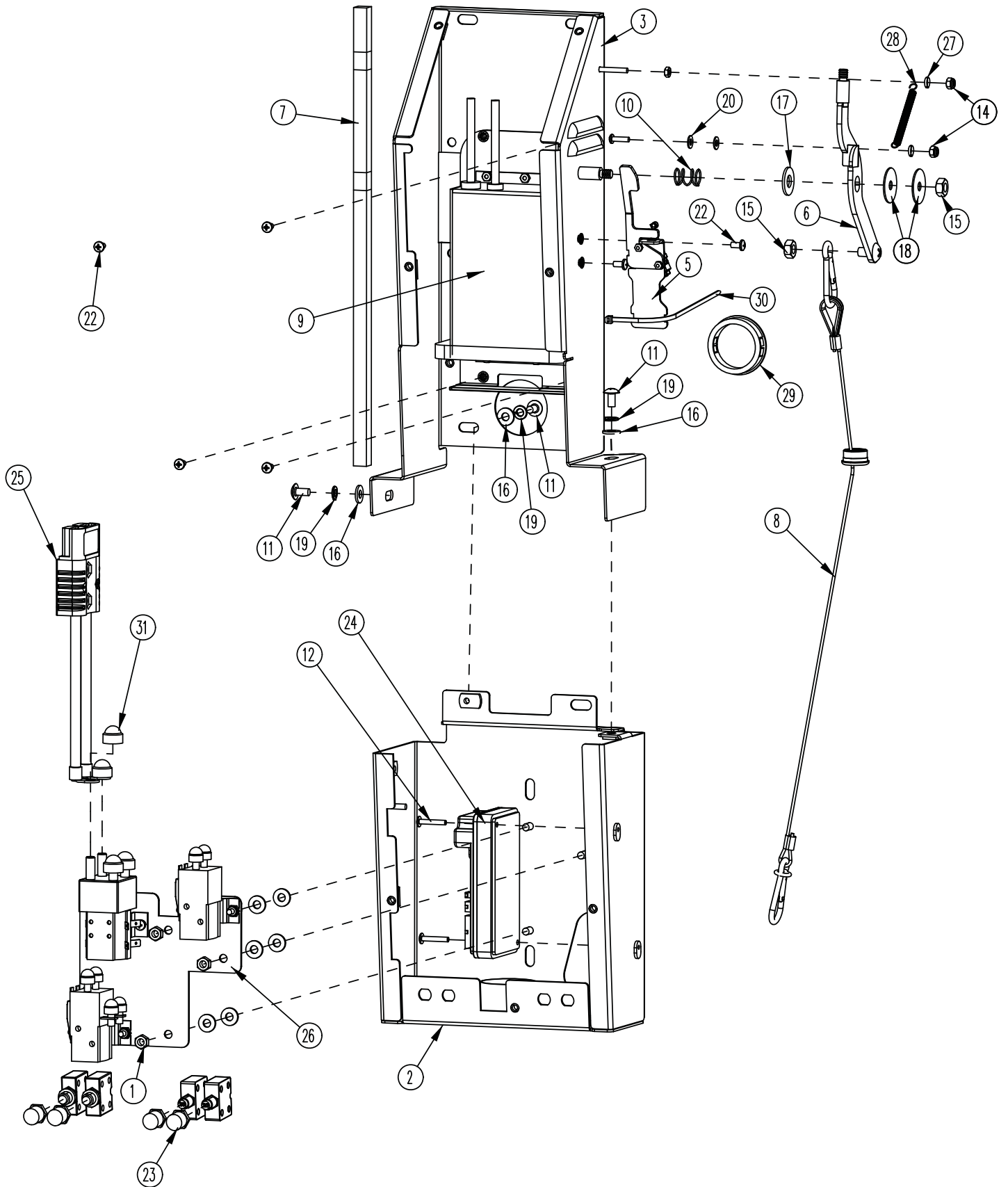


BILL OF MATERIAL - 172577			
ITEM	PART NO.	QTY	DESCRIPTION
1	172061	1	LEVER, SOLUTION CONTROL BRK'T
2	172424	1	BLT-ELEVATOR 1/4-20 x .75 ZINC
3	172575	1	BRKT, AQUASTOP SOL CNTRL
4	710195	1	SCR-PHMS 5/16-18 X .50 ZP
5	711425	1	NUT-FLANGED WIZZ 1/4-20 ZP
6	711508	1	WASHER-FLAT 3/8 X 1.00 X .08 ZP
7	711524	2	WASHER-FLAT 3/8 X 1.00 X .08 ZP
8	711539	1	WASHER-EXT LOCK 3/8 ZP
9	711550	2	WASHER-FLAT 1/4 X .75 NYLON
10	711566	3	WASHER-FLAT #12 X .50 X .065 ZP
11	711575	6	WASHER-FLAT 1/4 X .75 X .06 ZP
12	711592	1	WASHER-FLAT 1/2 X .90 X .064 NYLON
13	712070	1	BLT-SHOULDER 5/16 X .75 LG X 1/4-20 BLK
14	713598	1	BLT-SHOULDER 1/4 X .313 LG X 10-24 SS
15	715690	1	DECAL, AQUASTOP SOLUTION CONTROL
16	760592	1	KNOB-OVAL TAPERED
17	833214	1	KNOB-3 SIDED 1/4-20 INSERT
18	840202	1	BUSHING-FLG .31 X .435 X .325 NYL
19	3400399	1	NUT-NYLOC 10-24 SS

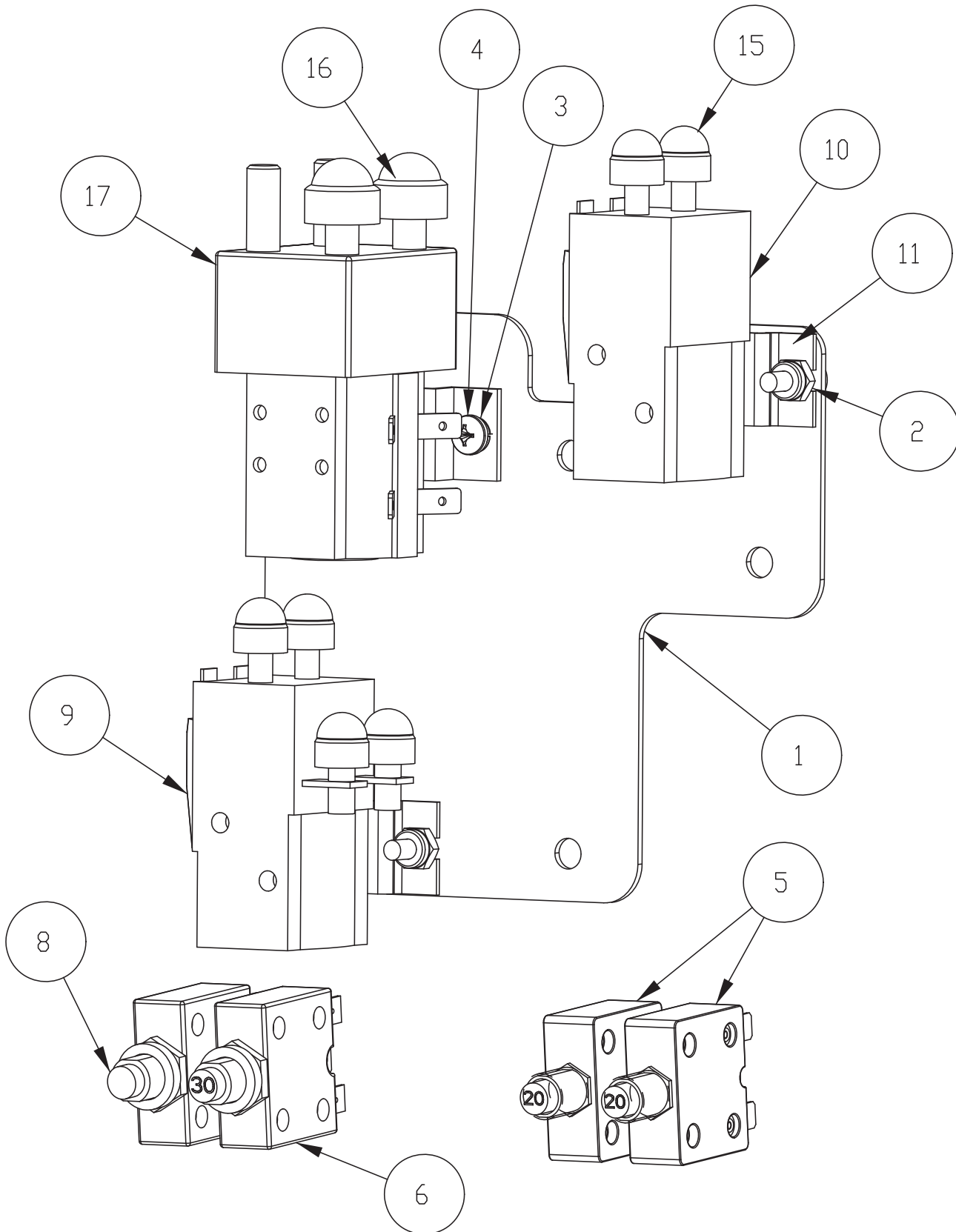




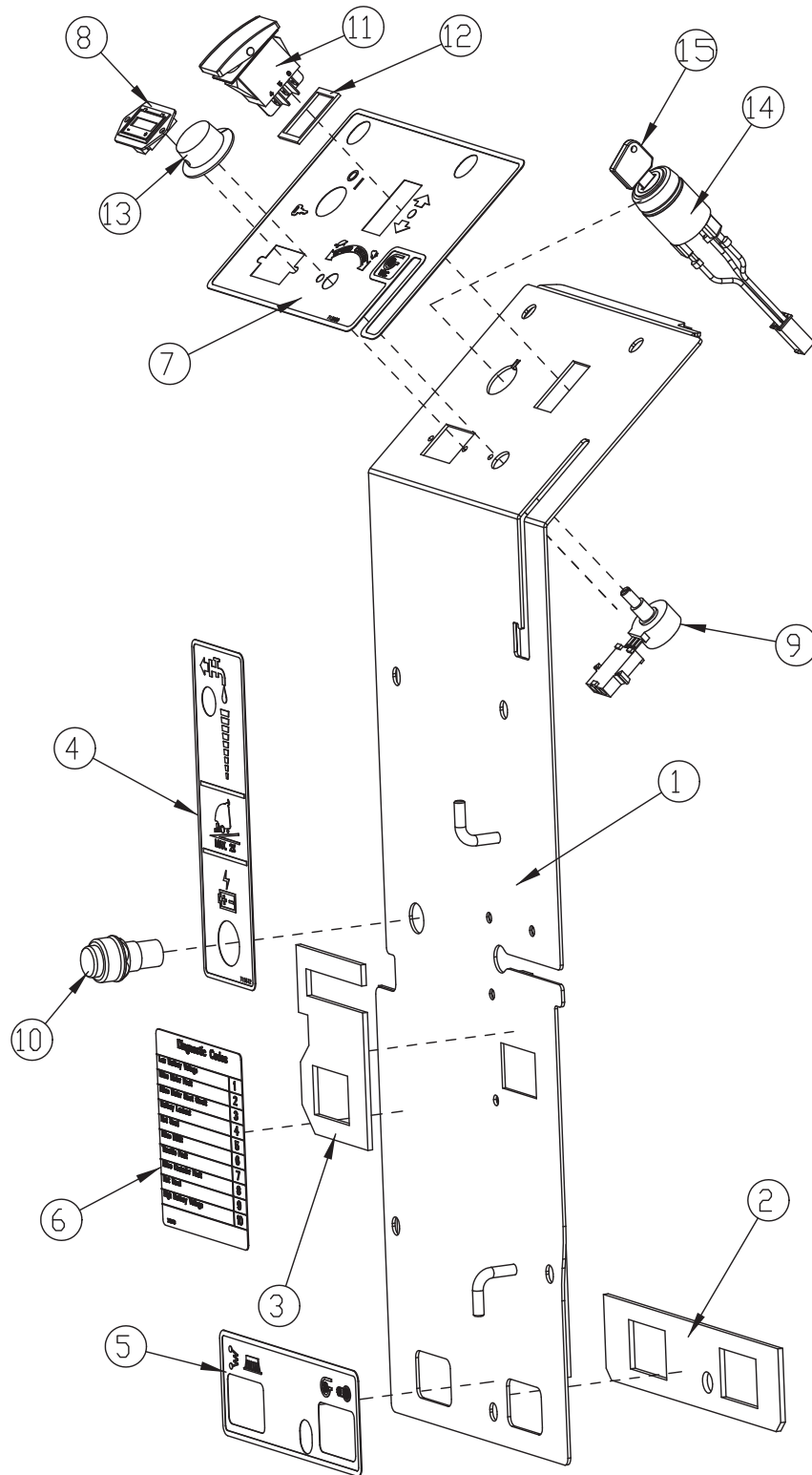
BILL OF MATERIAL - 172012			
ITEM	PART NO.	REQ'D	DESCRIPTION
1	172116	1	BATTERY BOX
2	172213	1	BKT, SPACER FOR BATTERIES
3	210414	2	O RING 2-113
4	260224	1	18" HOSE
5	320271	1	NOZZLE BODY-ELBOW
6	320272	2	NOZZLE BODY LOCKNUT
7	320273	1	HOSE SHUT-OFF CLAMP
8	710178	2	SCR-MC 1/4-20 X .50 TRUSS STPL
9	711575	2	WSR-FLT .31x.75x.06ST
10	828490	1	CRIMP CLAMP 140R



BILL OF MATERIAL 172075-26			
ITEM	PART NO.	REQ'D	DESCRIPTION
1	369-416	3	NUT-HEX 1/4-20 NYLOC SERATED
2	172077	1	ELEC BOX-BOT HALF WMT
3	172088	1	ELEC BOX-TOP HALF WMT
5	172141	1	VAC SWITCH ASSY
6	172152	1	VAC LEVER WMT
7	172188	1	FOAM TAPE, 1/2" SQ X 16.5"
8	172381	1	CABLE ASSY, SQUEEGEE LIFT
9	957761		CHARGER, NEMA 5-15 PLUG
10	670093	1	SPRING, COMPRESSION
11	710178	3	SCR-MC 1/4-20 X .50 TRUSS STPL
12	710534	2	SCR-MC TR HD 8-32 X 1.00 SS
13	711305	1	NUT, HEX 8-32 BR
14	711372	2	NUT-NYLOC 8-32 STL ZINC
15	711383	2	NUT-HEX CLR LOC 5/16-18
16	711505	9	1/4 FLAT WASHER, STEEL
17	711508	1	WSR-FLAT .44X 1.0X.08
18	711516	2	WSR- FLAT .31 X 1.25 X .05
19	711544	3	WSR-HELICAL 1/4
20	712320	2	WSR-NYLON .22 X .45 X .04
21	712770	6	WSR INT LOCK #10A SS
22	712810	6	SCR-MC 10-24 X .37 ST PL
23	742748	4	CIRCUIT BREAKER BOOT
24	747710	1	I-DRIVE,24V 70A PM MOTOR CONTROL
25	747637	1	WIRE ASY, MACHINE-BATTERY
26	747670-26	1	ELEC PANEL ASSY
27	760134	2	MOUNT RING
28	762084	1	SPRING-EXT .25OD X 2" F.L. MUSIC
29	762400	1	HEYCO BUSHING 2.00"
30	828062	1	CABLE TIE LARGE
31	15592033	2	CAP, SAFETY NUT COVER M8

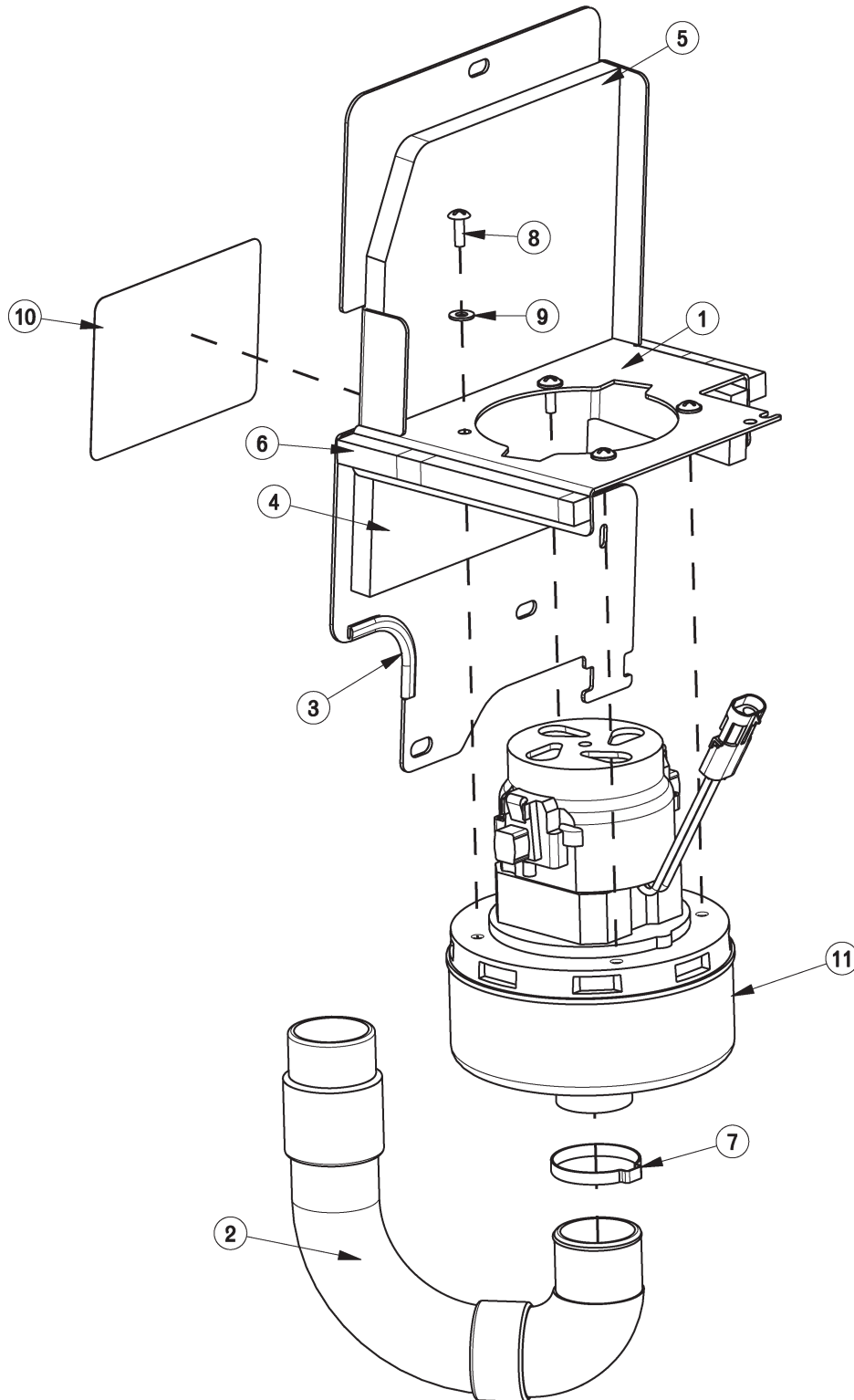


BILL OF MATERIAL - 747670-26			
ITEM	PART NO.	REQ'D	DESCRIPTION
1	172189	1	PANEL, RELAY MOUNT
2	711350	4	NUT -NYLOC 10-32
3	711543	2	WSR-HELICAL #10
4	712800	2	SCR-MC 10-24 X .25 ST PL
5	740220	2	CIRCUIT BREAKER-20AMP 2-T ERMIN
6	740247	1	CIRCUIT BREAKER-30AMP PUSH BUT
7	740482	2	DIODE ASY, 1N4007 W/PIGGY (NOT SHOWN)
8	747609	1	CIRCUIT BREAKER-4.0AMP PUSHBUT
9	747615	1	RELAY, 2 POLE CURT IS (1720)
10	747616	1	RELAY, 1 POLE CURT IS (1720)
11	747619	2	BRACKET , RELAY 747615 & 747616
12	747640	1	WIRE ASY, 10G RED 13" (NOT SHOWN)
13	747641	1	WIRE ASY, 10G RED 7" (NOT SHOWN)
14	747711	1	WIRE HARNESS, E1720T D MAIN (NOT SHOWN)
15	15592025	6	CAP, SAFETY NUT COVER M 6
16	15592033	2	CAP, SAFETY NUT COVER M 8
17	90331026	1	RELAY, 24VDC 2 POLE 100A (HAKO)

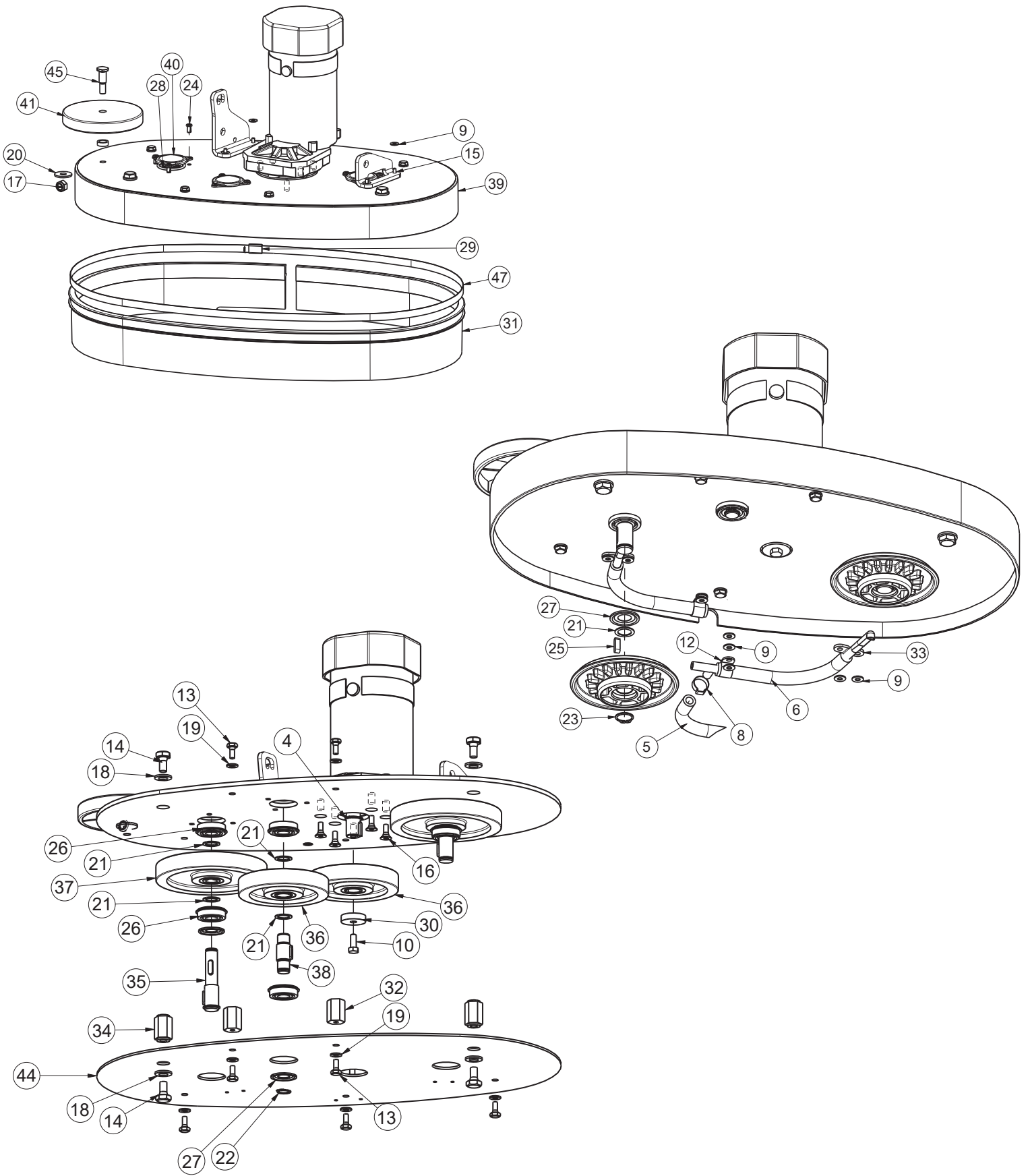




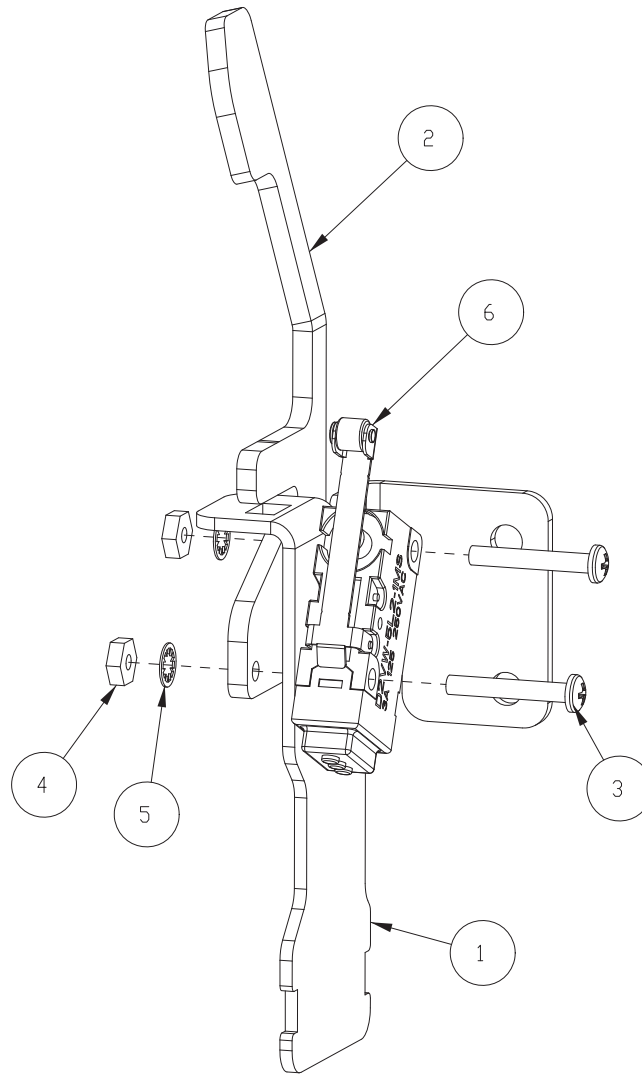
BILL OF MATERIAL - 172079			
ITEM	PART NO.	REQ'D	DESCRIPTION
1	172182	1	TD COVER WMT
2	172193	1	GASKET , CB OUTLINE
3	172194	1	GASKET , CHARGER CORD PLATE
4	715672	1	DECAL, CHARGE STATUS, SOLUTION CTRL
5	715674	1	DECAL, TD CIRCUIT BREAKER
6	715699	1	DECAL. DIAGNOSTIC CODES E1720T D
7	715680	1	DECAL, CYL DASHBOARD
8	747011	1	BATTERY GAUGE, TRUCHARGE
9	747026	1	POTENTIOMETER ASSY SPEED CONTROL
10	747614	1	CHARGE STATUS INDICATOR
11	748201	1	SWITCH , DPDT ON/OFF/ON
12	748209	1	GASKET -FOR 2 POLE ROCKER SWITCHES
13	809874	1	KNOB, SPEED CONTROL
14	90323437-1	1	KEYSWITCH ASY, SWITCH PLUS WIRES
15	00745890	1	KEY SET (2 pc .) -REPLACEMENT FOR 90323437



BILL OF MATERIAL- 172050			
ITEM	PART NO.	REQ'D	DESCRIPTION
1	172045	1	VAC MOUNT WMT
2	172048	1	HOSE, STRETCH 13"
3	172124	1	EDGE TRIM, .063 X 3.0, BLACK
4	172186	1	FOAM COVER, FRONT 1
5	172187	1	FOAM COVER, FRONT 2
6	172188	2	FOAM TAPE, 1/2" SQ X 16.5"
7	450095	1	CRIMP CLAMP, 1.75"
8	711160	4	#10 X 5/8 HI-LO
9	711503	4	WSR, FLAT#10
10	715967	1	DECAL, BATT CABLE ROUTE
11	747607-1	1	VAC MOTOR ASY
11H	747665-1		VAC MOTOR ASY, 36/24V PERIF BYPASS

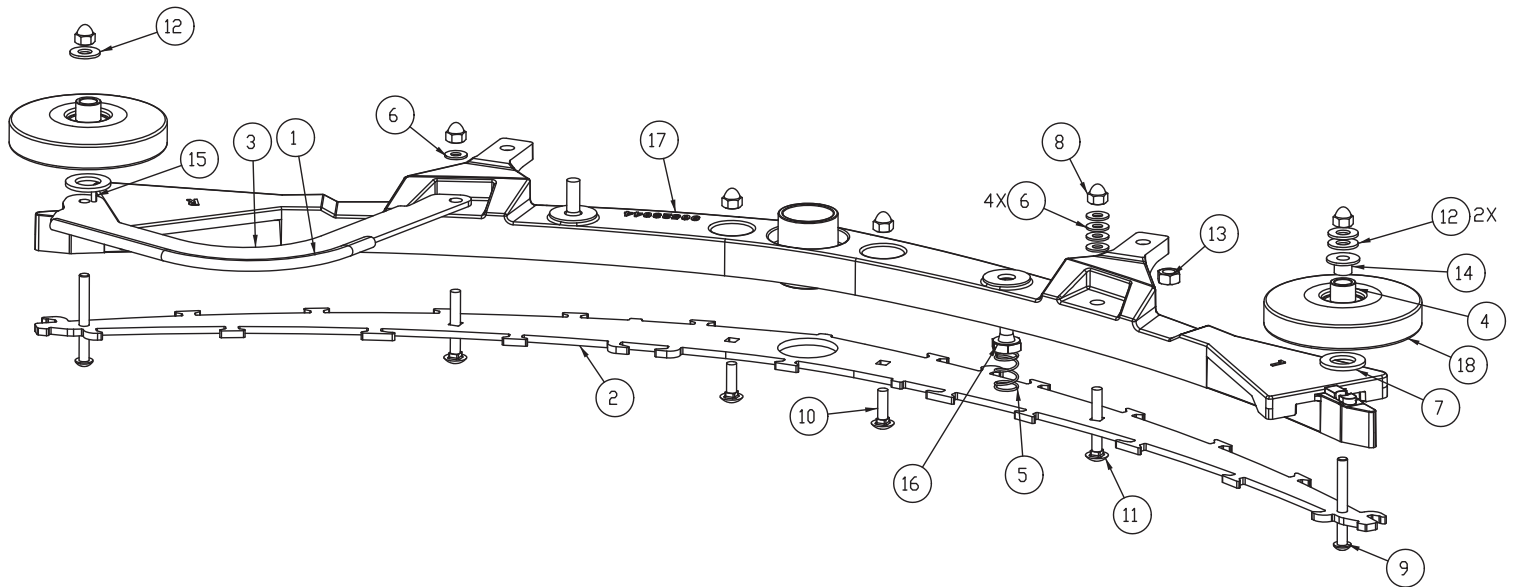


BILL OF MATERIAL - 99711100							
ITEM	PART #	QTY	DESCRIPTION	ITEM	PART #	QTY	DESCRIPTION
1	77-81-A	1	SPACER-.53 X .75 X .25	25	13540182	5	KEY, SQ 6MM X 20
2	172417	1	BKT, DECK MOUNT RIGHT	26	14110787	6	BEARING, 6203
3	172418	1	BKT, DECK MOUNT LEFT	27	14678288	3	NILOS-RING
4	172425	1	RING-RET EXT .75/20mm HD	28	15282049	3	O-RING, 42.5 X 3 NBR
5	172426	1	HOSE-NYLO REINF 3/8 X 25	29	17528555	1	TENSION BAND LOCK
6	760302	2	HOSE-NYLO REINF 3/8 X 8"	30	90271511	1	CAP, MOTOR GEAR
7	260178	1	FTG-TEE 3/8 HB X 3/8 HB X 1/4 HB PE	31	90298845	1	SPLASH GUARD, 26" DECK
8	450076	1	CLAMP-HOSE 5/8 (.590-.791) SS	32	90299371	5	STANDOFF, HEX M8 X 31.5
9	711504	14	WASHER-FLAT 1/4 SS	33	90311663	2	FITTING, WATER NOZZLE W/ MOUNT HOLES
10	717030	1	SCR-HH M8-1.25 X 20 SS	34	90347832	2	STANDOFF, HEX M8 X 31.5 W/PILOT
11	747600	1	MOTOR, 24VDC PM 600W	35	90347840	2	SHAFT, MAIN GEAR
12	1752903	2	CLAMP-P, 51D	36	90348715	2	GEAR, INNER
13	11038197	10	BLT-HH M8 X 1.25 X 16 STL ZD 8.8 DIN 933	37	90348723	2	GEAR, MAIN
14	11038577	4	BLT-HH M12 X 20	38	90399684	1	SHAFT, INNER GEAR
15	11206208	4	SCR-MC FH M6 X 20	39	90493701	1	SIDE COVER, 26" DECK
16	11225331	4	SCR-FH M8 X 20	40	90494949	3	COVER, BEARING
17	12040069	1	NUT-NYLOC M10 X 1.5 ZD CLASS 6	41	90541319	1	BUMPER WHEEL, 140MM, BLACK
18	12310066	4	WSR-FLT M13 X 24 X 2.5 STL 140HV ZD DIN	42	90542572	2	DRIVE HUB - SCRUBBER, DISK
19	12310264	10	WSR-FLT M8.4 X 16 X 1.6 A2 SS	43	90572447	1	TOP PLATE, 26ECO DECK
20	12332037	1	WSR-FLT M10.5 X 30 X 2.5 STL 140HV ZD DI	44	90572454	1	BOTTOM PLATE, 26ECO DECK
21	12335063	8	WSR-FLT, 17 X 24 X 1	45	90572470	1	BLT-SHLD 12.4 X 22MM X M10
22	12610085	3	CIRCLIP	46	90572504	1	SPACER, BRUSH MOTOR
23	12610093	2	CIRCLIP	47	90572538	1	REATINING BAND, 26" DECK
24	13166087	9	RIVET, PLASTIC PUSH-IN				

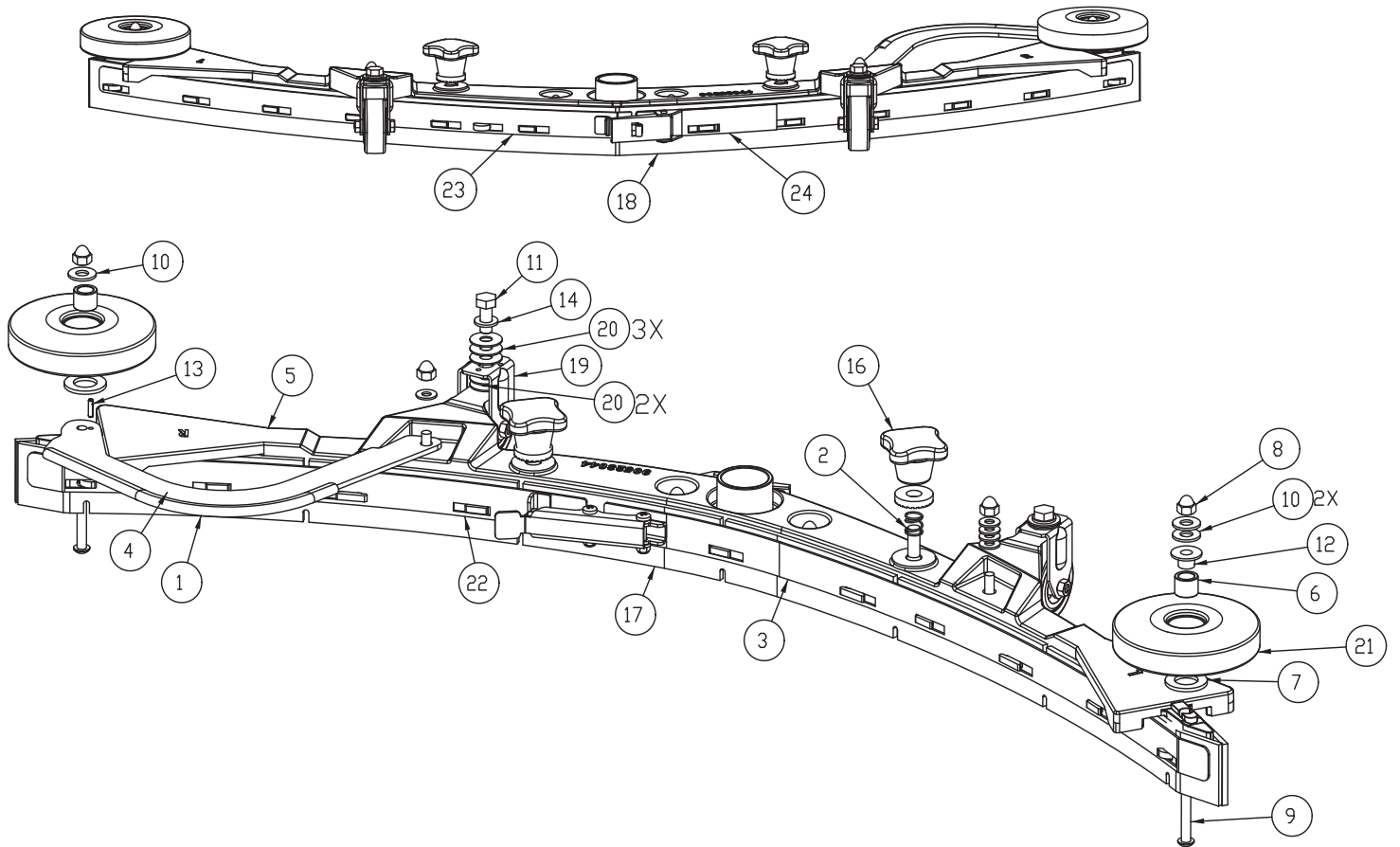


BILL OF MATERIAL - 172141			
ITEM	PART NO.	REQ'D	DESCRIPTION
1	172140	1	BKT, VAC SWITCH MOUNT
2	172337	1	COVER, VAC SWITCH
3	710493	2	SCR-MC 4-40 X .75 PAN HD
4	711428	2	NUT-HEX 4-40
5	712326	2	WSR-INT LOCK #4
6	747603-2	1	SWITCH ASY, MICRO ROLLER W/PACK/CONDUIT

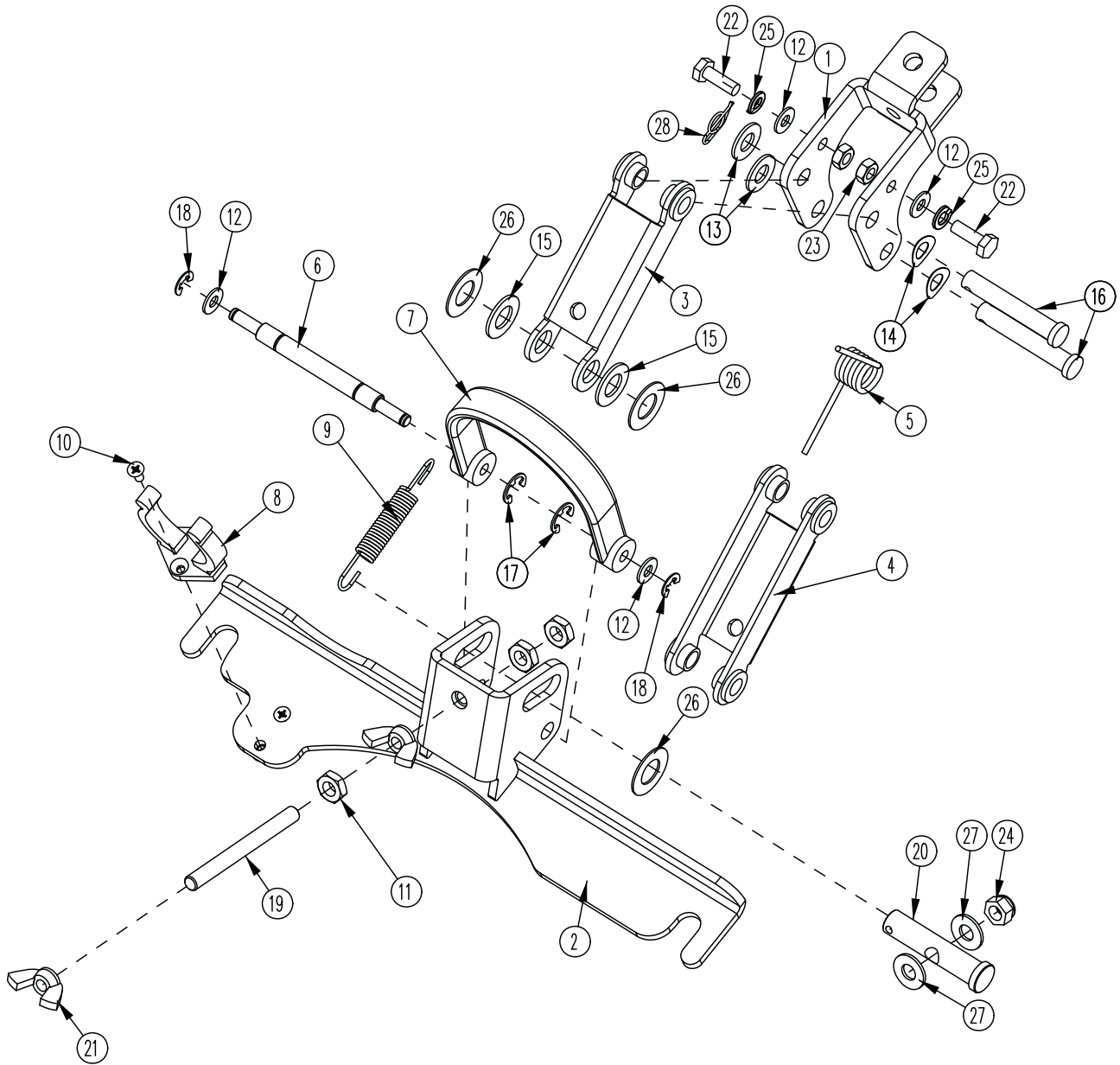




BILL OF MATERIAL - 172539			
ITEM	PART NO.	REQ'D	DESCRIPTION
1	172274	1	EDGE TRIM, 10" BLACK
2	172437	1	BASE PLAT E SS-FOR 950 CAST ING
3	172450	1	BUMPER, 38" SQG
4	430322	2	BUSHING .435 X .625 X .50
5	670093	2	SPRING, COMPRESSION
6	711504	5	WSR-FLAT 1/4 ID SS
7	711527	2	WSR-FLAT .63 X 1.12 X .09
8	712591	6	NUT, ACORN 1/4-20 SS
9	712592	2	SCR-MC BHCS, 1/4-20 X 2.25, SS
10	712593	2	BLT-CARR 1/4-20 X .875 SS
11	712594	2	BLT-CARR 1/4-20 X 1.75 SS
12	712772	3	WSR-FLAT .344 x .75 x .06 SS
13	717029	2	NUT-HEX M8X1.25 SS
14	840202	1	BUSHING-FLG .31 X .437 X .325 NYL
15	3400727	1	PIN-ROLL 1/8 X .50, ZINC
16	11039328	2	BLT-HH M10X25 SS DIN 933
17	90523044	1	CASTING, 950MM SQUEEGEE
18	90548397	2	ROLLER - 100MM PLASTIC BLACK



BILL OF MATERIAL - 172538			
ITEM	PART NO.	REQ'D	DESCRIPTION
1	172274	1	EDGE TRIM , 10" BLACK
2	172429	2	SPRING, COMPRESSION
3	172448	1	TENSION BAND ASM - LEFT FRONT , 38" w/LATCH INCL.
4	172450	1	BUMPER, 38" SQG
5	172539	1	38" SQUEEGEE BASE ASM -E2426
6	430322	2	BUSHING .435 X .625 X .50
7	711527	2	WSR-FLAT .63 X 1.12 X .09
8	712591	2	NUT , ACORN 1/4-20 SS
9	712592	2	SCR-M C BHCS, 1/4-20 X 2.25, SS
10	712772	3	WSR-FLAT .344 x .75 x .06 SS
11	717030	2	BOLT -HH M 8X1.25 X 20 SS
12	840202	1	BUSHING-FLG .31 X .437 X .325 NYL
13	3400727	1	PIN-ROLL 1/8 X .50, ZINC
14	12310264	2	WSR-FLT M 8.4X16X1.6 SS
15	12515094	2	WSR-CONICAL SERRATED T OOT H, M 10.6
16	17133026	2	KNOB, M 10 STAR HANDLE
17	90493560	1	SQUEEGEE BLADE - FRONT , 950m m
18	90494139	1	SQUEEGEE BLADE - REAR, 950m m
19	90513094	2	FIXED CAST OR
20	90531112	10	WSR-FLT 8.3 X 22 X 1M M SS
21	90548397	2	ROLLER - 100M M PLASTIC BLACK
22	96125828	1	TENSION BAND - RIGHT FRONT
23	96125844	1	TENSION BAND - LEFT REAR
24	96125851	1	TENSION BAND - RIGHT REAR



BILL OF MATERIAL - 172150			
ITEM	PART NO.	REQ'D	DESCRIPTION
1	172134	1	BKT , MAIN SQUEEGEE HINGE
2	172155	1	SQUEEGEE MOUNT WMT
3	172196	1	SQ TOP LIN K W/ BUSHING
4	172197	1	SQ BOT LINK W/ BUSHING
5	172261	1	TORSION SPRING
6	172352	1	PIN , 3 /8 X 3.0, SQ G STRAP
7	172357	1	STRAP, 9 " PU , BLACK
8	260579	1	TOOL CLIP, 1.5" HOSE
9	430051	1	RETURN SPRING -3 .00"
10	710528	2	SCR -MC 8-32 X .37 FH - BR
11	711420	3	NUT - HEX JAM 5 /16-18 ST PL
12	711504	4	WSR -F LAT 1/4 ID SS
13	711515	2	WSR -F LAT .406 X .812 X .0625
14	711523	2	WSR -WAVE .37 X .68 X .08
15	711592	2	WSR -F LAT .506 X .9 X .064 N YL
16	711678	2	CLEVIS PIN 3/8 X 2 -1/4
17	711717	2	RETAINING RING - E TYPE .37
18	711720	2	.250 DIA RETAINING RING - E TYPE
19	712147	1	ROD -THD 5/16 -18 X 3.25 SS
20	712148	1	CLEVIS PIN , 1/2 x 2.25 W/ HOLE
21	712157	2	NUT - WING 5 /16 -18 SS
22	712562	2	BOLT -HH 1 /4-20 X 3 /4 SS
23	712665	2	NUT -HEX 1 /4-20 SS
24	712683	1	NUT , HEX 5/16 -18 NYLOC SS
25	712758	2	WSR -HELICAL 1/4 SS
26	712760	3	WSR -FLAT .56X 1 .06 X.04 SS
27	712772	2	WSR -FLAT .344 x .75 x .06 SS
28	3400125	1	PIN -COTTER 3/8 RUE RING

# 1 Wiring Diagrams

PAGE LAYOUT

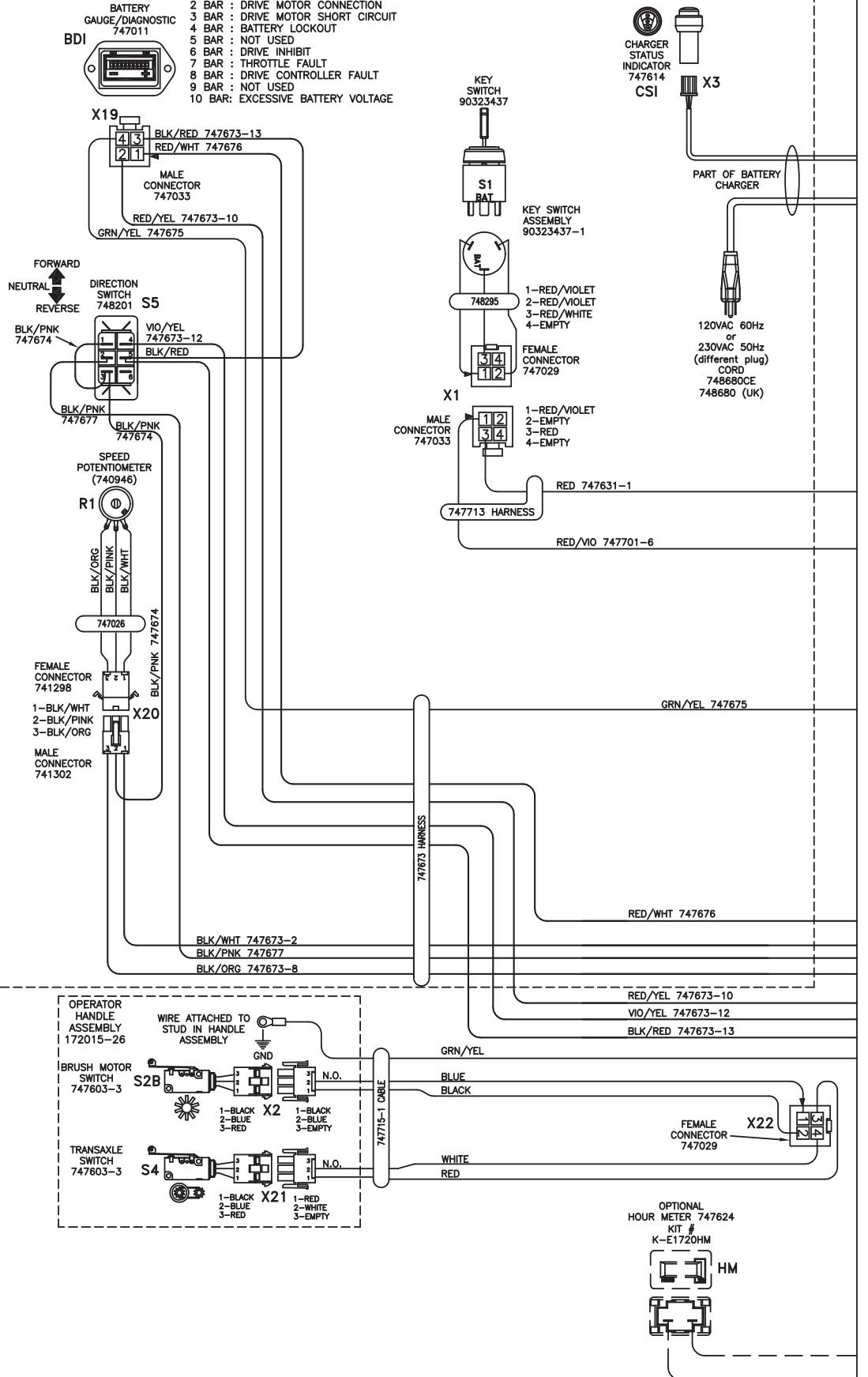
1 2 3

PAGES GO TOGETHER AS SHOWN TO SEE THE ENTIRE SCHEMATIC AS ONE.

ELECTRICAL BOX COVER ASSEMBLY 172330-26

715678: DIAGNOSTIC CODE DECAL

- DIAGNOSTIC CODES: BATTERY GAUGE: 747011
- 1 BAR : CHARGE BATTERIES
  - 2 BAR : DRIVE MOTOR CONNECTION
  - 3 BAR : DRIVE MOTOR SHORT CIRCUIT
  - 4 BAR : BATTERY LOCKOUT
  - 5 BAR : NOT USED
  - 6 BAR : DRIVE INHIBIT
  - 7 BAR : THROTTLE FAULT
  - 8 BAR : DRIVE CONTROLLER FAULT
  - 9 BAR : NOT USED
  - 10 BAR : EXCESSIVE BATTERY VOLTAGE



ELECTRICAL BOX ASSEMBLY 172075-26

CHARGER 957760 IEC60320 C14

BC BATTERY CHARGER 100-240V~ 50/60Hz 957761 (115VAC) NEMA 5/15P 957760 (230VAC) IEC 60320 C14

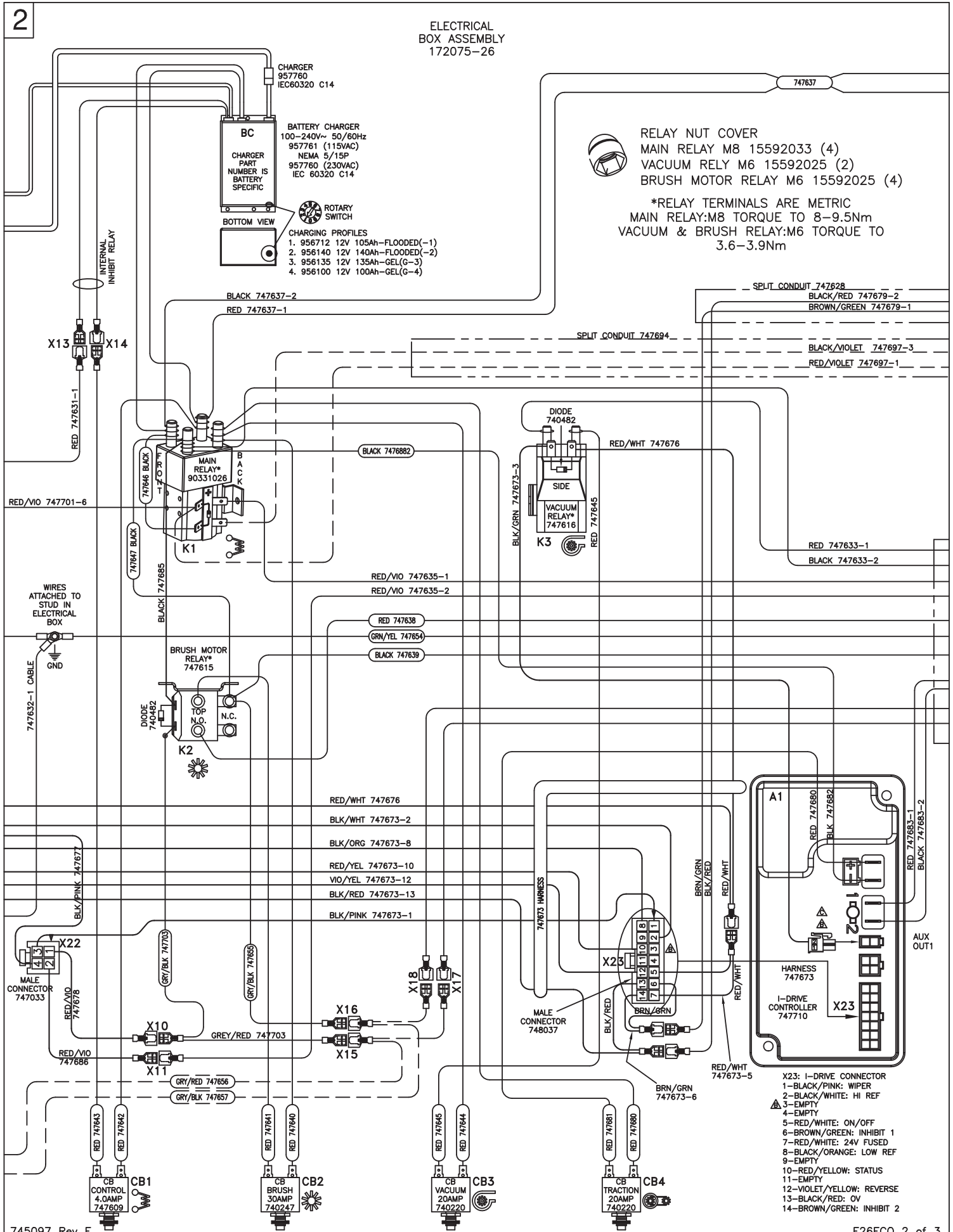


CHARGING PROFILES 1. 956712 12V 105Ah-FLOODED(-1) 2. 956140 12V 140Ah-FLOODED(-2) 3. 956135 12V 135Ah-GEL(G-3) 4. 956100 12V 100Ah-GEL(G-4)



RELAY NUT COVER MAIN RELAY M8 15592033 (4) VACUUM RELY M6 15592025 (2) BRUSH MOTOR RELAY M6 15592025 (4)

\*RELAY TERMINALS ARE METRIC MAIN RELAY:M8 TORQUE TO 8-9.5Nm VACUUM & BRUSH RELAY:M6 TORQUE TO 3.6-3.9Nm



BLACK 7476882

RED/WHT 747676

RED/VIO 747635-1

RED/VIO 747635-2

RED 747638

GRN/YEL 747654

BLACK 747639

RED/WHT 747676

BLK/WHT 747673-2

BLK/ORG 747673-8

RED/YEL 747673-10

VIO/YEL 747673-12

BLK/RED 747673-13

BLK/PINK 747673-1

BRN/GRN BLK/RED

RED/WHT

RED/WHT

RED/WHT

RED/WHT

RED/WHT

RED/WHT

RED/WHT

RED/WHT

RED/WHT

RED/WHT

RED/WHT

RED/WHT

RED/WHT

RED/WHT

RED/WHT

RED/WHT

RED/WHT

RED/WHT

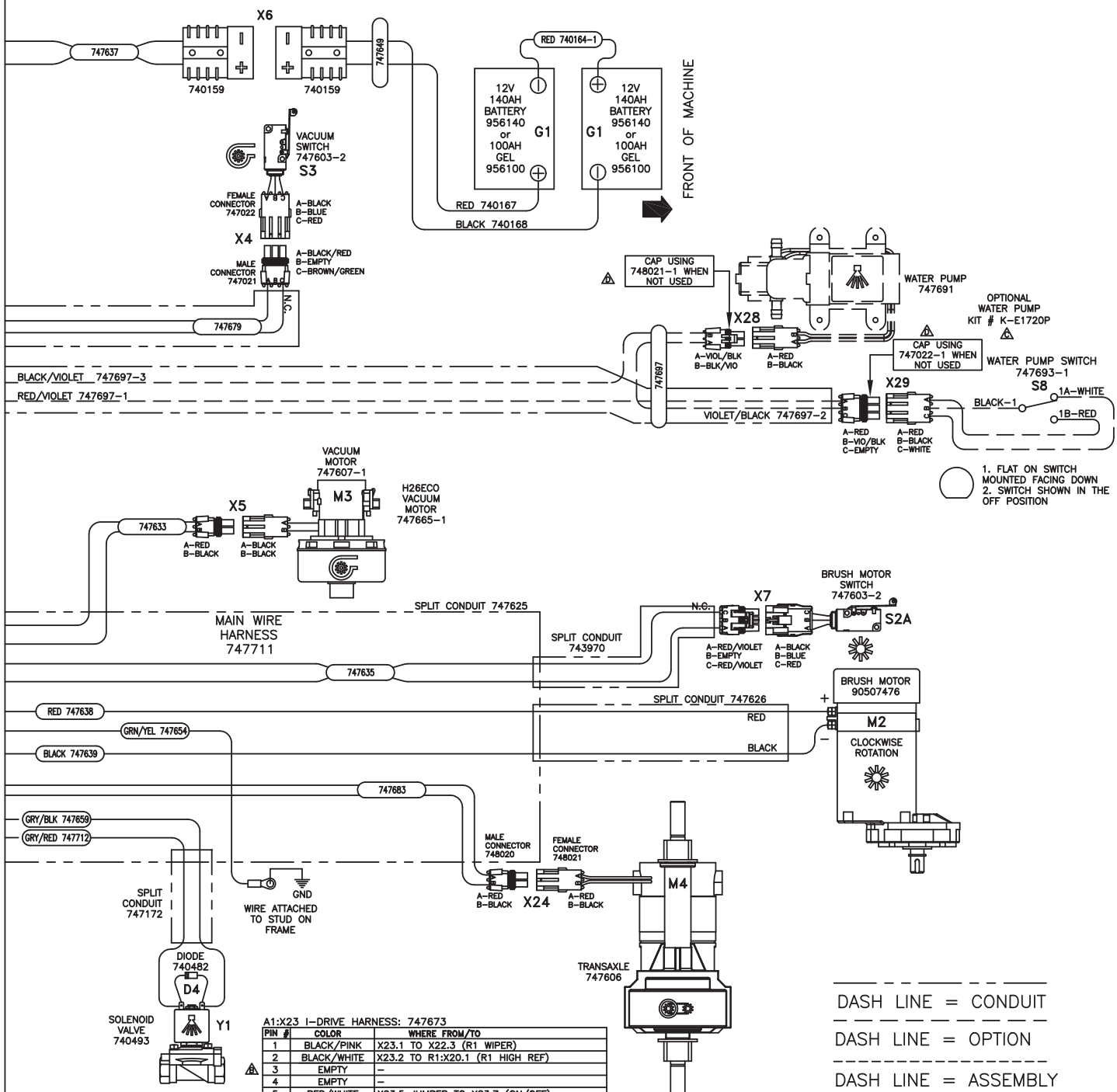
RED/WHT

RED/WHT

RED/WHT

- X23: I-DRIVE CONNECTOR
- 1-BLACK/PINK: WIPER
  - 2-BLACK/WHITE: HI REF
  - 3-EMPTY
  - 4-EMPTY
  - 5-RED/WHITE: ON/OFF
  - 6-BROWN/GREEN: INHIBIT 1
  - 7-RED/WHITE: 24V FUSED
  - 8-BLACK/ORANGE: LOW REF
  - 9-EMPTY
  - 10-RED/YELLOW: STATUS
  - 11-EMPTY
  - 12-VIOLET/YELLOW: REVERSE
  - 13-BLACK/RED: OV
  - 14-BROWN/GREEN: INHIBIT 2





1. FLAT ON SWITCH MOUNTED FACING DOWN  
2. SWITCH SHOWN IN THE OFF POSITION

A1:X23 I-DRIVE HARNESS: 747673

PIN #	COLOR	WHERE FROM/TO
1	BLACK/PINK	X23.1 TO X22.3 (R1 WIPER)
2	BLACK/WHITE	X23.2 TO R1:X20.1 (R1 HIGH REF)
3	EMPTY	-
4	EMPTY	-
5	RED/WHITE	X23.5 JUMPER TO X23.7 (ON/OFF)
6	BROWN/GREEN	X23.6 JUMPER TO X23.14 (INHIBIT 1)
7	RED/WHITE	X23.7 JUMPER TO X23.5 (24VDC FUSED)
8	BLACK/ORANGE	X23.8 TO R1:X20.3 (R1 LOW-REF)
9	EMPTY	-
10	RED/YELLOW	X23.10 TO BD1:X19.2 (STATUS)
11	EMPTY	-
12	VIOLET/YELLOW	X23.12 TO S5.4 (REVERSE)
13	BLACK/RED	X23.13 JUMPER S5.5 JUMPER BD1:X19.3 (OV)
14	BROWN/GREEN	X23.14 JUMPER TO X23.6 (INHIBIT 2)

R1:X20 SPEED POTENTIOMETER: 747026

COLOR	WHERE FROM/TO
1	BLACK/WHITE X20.1 TO A1:X23.2
2	BLACK/PINK X20.2 TO S5.3 JUMPER S5.1
3	BLACK/ORANGE X20.3 TO A1:X23.8

X22: OPERATOR HANDLE CABLE: 747715-1

COLOR	WHERE FROM/TO
1	BLUE X22.1 TO S2B:X2.B
2	BLACK X22.2
3	RED X22.3 TO S4:X21.A
4	WHITE X22.4 TO S4:X21.B

X22: CONNECTOR TO OPERATOR HANDLE CABLE: 747715-1

COLOR	WHERE FROM/TO
1	RED/VIOLET X22.1 TO X10 JUMPER K2:COIL.24VDC JUMPER X15
2	RED/VIOLET X22.2 TO X11 TO S2A:X7.A
3	BLACK/PINK X22.3 TO A1:X23.1
4	BLACK/PINK X22.4 TO S5.2

S1:X1 MAIN KEYSWITCH ASSEMBLY: 90323437-1

PIN #	COLOR	WHERE FROM/TO
1	RED/VIOLET	X1.1 TO K1:COIL.24VDC
2	EMPTY	-
3	RED or RED/WHI	X1.3 TO X13 BC INTERNAL RELAY
4	EMPTY	-

BATTERY CHARGER: 957761 or 957760

COLOR	WHERE FROM/TO
X13	RED X13 TO S1:X1.1
X14	BLACK X14: CB1 CONTROL 4.0A
14GA	RED K1:CONTACT + (REAR LEFT POST)
14GA	BLACK K1:CONTACT - (FRONT LEFT POST)

OTHER WIRE COLORS

COLOR	WHERE FROM/TO
RED	BATTERY 24VDC: +
BLACK	BATTERY OVDC: -
GREEN/YELLOW	GROUND
RED/VIOLET	24VDC AFTER MAIN KEYSWITCH
GREY/RED	OPTIONAL POWER 24VDC: 4A MAX
X15	OPTIONAL POWER 24VDC: 4A MAX
X16	OPTIONAL POWER OVDC: 4A MAX
X8:A	VIOLET/BLACK WATER PUMP: 24VDC
X8:B	BLACK/VIOLET WATER PUMP: OVDC
X9:A	VIOLET/BLACK WATER SOLENOID VALVE: 24VDC
X9:B	BLACK/VIOLET WATER SOLENOID VALVE: OVDC

E26ECO PART REFERENCE LIST  
Schematic 745097

REFERENCE #	COMPONENT NAME	PART NUMBER
M1 (optional)	not used	-
M2	MOTOR, BRUSH	90507476
M3	MOTOR, VACUUM ASSEMBLY	747607-1
M4	TRANSAXLE	747606
Y1	SOLENOID VALVE, WATER	740493
K1	RELAY, MAIN	90331026
K2	RELAY, BRUSH MOTOR	747615
K3	RELAY, VACUUM	747616
CB1	CIRCUIT BREAKER 4.0A, CONTROL	747609
CB2	CIRCUIT BREAKER 30A, BRUSH MOTOR	740247
CB3	CIRCUIT BREAKER 20A, VACUUM MOTOR	740220
CB4	CIRCUIT BREAKER 20A, TRANSAXLE	740220
S1	KEYSWITCH	747617
S2A	SWITCH, BRUSH MOTOR (at motor)	747603-2
S2B	SWITCH, BRUSH MOTOR (handle)	747603-3
S3	SWITCH, VACUUM MOTOR	747603-2
S4	SWITCH, TRANSAXLE (handle)	747603-3
S5	SWITCH, DIRECTION	748201
S8 (optional)	not used	-
A1	CONTROLLER, I-DRIVE	747710
R1	SPEED POTENTIOMETER ASSEMBLY	747026
BDI	BATTERY DISCHARGE INDICATOR	747011
CSI	CHARGER STATUS INDICATOR	747614
HM (optional)	HOUR METER (KIT K-E1720HM)	747624
BC (model specific)	BATTERY CHARGER 115VAC (battery type specific)	957761 (-2 or G-4)
BC (model specific)	BATTERY CHARGER 230VAC (battery type specific)	957760 (-2 or G-4)
G1	BATTERY, 12V 140AH (2 REQUIRED)	956140
G1 (optional)	BATTERY, GEL 12V 100AH (2 REQUIRED)	956100
D1	DIODE, MAIN RELAY	Part of K1
D2	DIODE ASM, BRUSH MOTOR RELAY	740482
D3	DIODE ASM, VACUUM MOTOR RELAY	740482

REFERENCE #	CONNECTOR FUNCTION	PART # -female	PART # -male
X1	KEYSWITCH (S1)	744012	748037
X2	SWITCH, BRUSH MOTOR (S2B)	747022	747021
X3	CHARGER STATUS INDICATOR (CSI)	Part of CSI	Part of BC
X4	SWITCH, VACUUM (S3)	747022	747021
X5	MOTOR, VACUUM (M3)	748021	748020
X6	BATTERY CONNECTOR	740159	740159
X7	SWITCH, BRUSH MOTOR (S2A)	747022	747021
X8 (optional)	not used	-	-
X9	not used	-	-
X10	OPERATOR HANDLE CABLE	741093	740697
X11	OPERATOR HANDLE CABLE	740366	740697
X13	BATTERY CHARGER (BC)- INTERNAL RELAY	740366	740697
X14	BATTERY CHARGER (BC)-INTERNAL RELAY	740366	740697
X15	SOLENOID (Y1) /HOUR METER CONNECTION (HM)	740366	741165
X16	SOLENOID (Y1) /HOUR METER CONNECTION (HM)	740366	741165
X17 (optional)	OPTIONAL HOUR METER (HM) WIRE-747656	740366	741165
X18 (optional)	OPTIONAL HOUR METER (HM) WIRE-747657	740366	741165
X19	BATTERY GAUGE (BDI)	Part of BDI	747033
X20	SPEED POT ASSEMBLY (R1)	741298	741302
X21	SWITCH, TRANSAXLE (S4)	747022	747021
X22	OPERATOR HANDLE CABLE: 747632-1	747029	747033
X23	I-DRIVE HARNESS: 747673	Part of A1	748037
X24	TRANSAXLE (M4)	748021	748020
X25	I-DRIVE (A1) TO VACUUM SWITCH (S3)	740366-1	741165
X26	I-DRIVE (A1) TO VACUUM SWITCH (S3)	741093	740698
X27	I-DRIVE (A1) TO VACUUM RELAY-CONTACT	741093	741165
X28 (optional)	not used	-	-
X29 (optional)	not used	-	-

## Minuteman International Made Simple Commercial Limited Warranty

### REVISION O EFFECTIVE 4/1/2016

Minuteman International, Inc. warrants to the original purchaser/user that the product is free from defects in workmanship and materials under normal use. Minuteman will, at its option, repair or replace without charge, parts that fail under normal use and service when operated and maintained in accordance with the applicable operation and instruction manuals. All warranty claims must be submitted through and approved by factory authorized repair stations.

This warranty does not apply to normal wear, or to items whose life is dependent on their use and care, such as belts, cords, switches, hoses, rubber parts, electrical motor components or adjustments. Parts manufactured by Minuteman are covered by and subject to the warranties and/or guarantees of their manufacturers. Please contact Minuteman for procedures in warranty claims against these manufacturers.

**Special warning to purchaser** -- Use of replacement filters and/or pre-filters not manufactured by Minuteman or its designated licensees, will void all warranties expressed or implied. A potential health hazard exists without original equipment replacement.

All warranted items become the sole property of Minuteman or its original manufacturer, whichever the case may be. Minuteman disclaims any implied warranty, including the warranty of merchantability and the warranty of fitness for a particular purpose. Minuteman assumes no responsibility for any special, incidental or consequential damages.

This limited warranty is applicable only in the U.S.A. and Canada, and is extended only to the original user/purchaser of this product. Customers outside the U.S.A. and Canada should contact their local distributor for export warranty policies. Minuteman is not responsible for costs or repairs performed by persons other than those specifically authorized by Minuteman. This warranty does not apply to damage from transportation, alterations by unauthorized persons, misuse or abuse of the equipment, use of non-compatible chemicals, or damage to property, or loss of income due to malfunctions of the product.

If a difficulty develops with this machine, you should contact the dealer from whom it was purchased.

This warranty gives you specific legal rights, and you may have other rights which vary from state to state. Some states do not allow the exclusion or limitation of special, incidental or consequential damages, or limitations on how long an implied warranty lasts, so the above exclusions and limitations may not apply to you.

Model	Parts	Labor	Poly	Travel**
Cord Electric Group	5yrs	3yrs	12yrs	90 days
Battery Operated Group	5yrs	3yrs	12yrs	90 days

#### **Exceptions.....**

Model	Parts	Labor	Poly	Travel**
Port A Scrub, all models	1yr	6months	12yrs	90 days
A3S Blower	1yr	1yr	0	0
Phenom Dual Motor Upright Vacuums	2yrs	2yrs	0	0
Explosion Proof Vacuum	1yr	1yr	0	0
Propane Burnisher	1yr	1yr	0	90 days
**Travel, 2 hours max				

<i>Stand-alone Battery Chargers:</i>	One year
<i>Replacement Parts:</i>	Ninety days
<i>Batteries:</i>	0-3 months full replacement, 4-12 months pro-rate
<i>Polypropylene Plastic Tanks:</i>	12yr warranty, no additional labor



# ***“Excellence Meets Clean”***

**Minuteman is a Full Line Manufacturer of Sweepers and Scrubbers,  
for Industrial Facilities.**

14N845 U.S. Route 20, Pingree Grove, IL 60140 USA  
Phone (800) 323-9420 - [www.minutemanintl.com](http://www.minutemanintl.com)  
***A Member of the Hako Group***