



Parts Manual

E RIDE 26 SPORT Riding Scrubber

For Safety When Servicing or Maintaining Machine

- Stop on level surface.
- Disconnect the power to the machine by pulling the red Battery Connector located under the recovery tank near the batteries.
- Avoid moving parts. Do not wear loose jackets, shirts, or sleeves when working on machine.
- Avoid contact with battery acid. Battery acid can cause burns. When working on or around batteries, wear protective clothing and safety glasses. Remove metal jewelry. Do not lay tools or metal objects on top of batteries.
- Do not clean machine with a pressure washer.
- Authorized personnel must perform repairs and maintenance. Use Minuteman supplied replacement parts.

Product Model Information:

- Model: E Ride 26 SPORT Disc series
- Model No.: ER26DS, ER26DSQP, ER26DSQPG, ER26DSQPT
ER26DSQPGI, ER26DSQPIW

Table of Contents

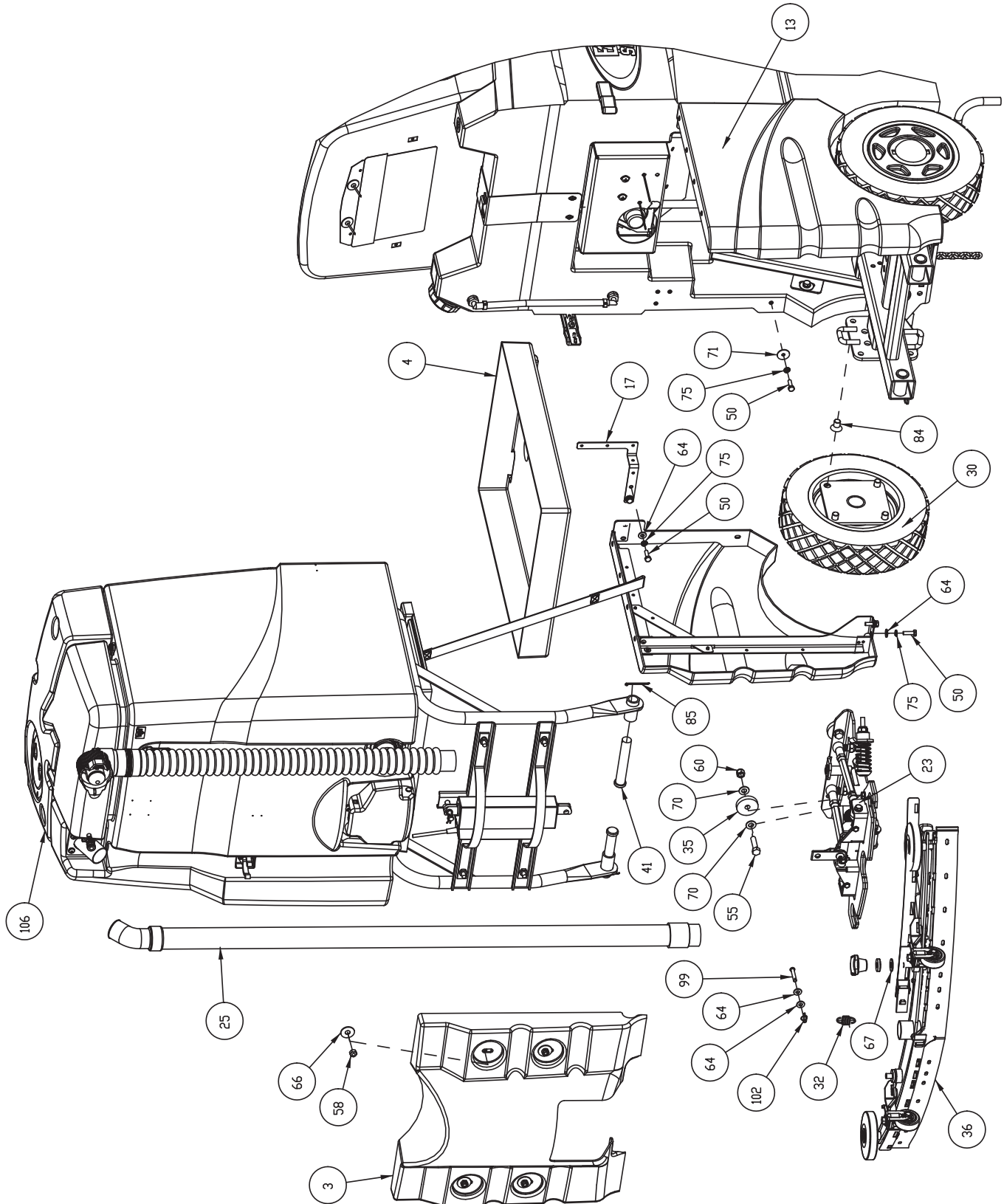
Main Assembly.....	5
Main Assembly I	5
Main Assembly II	6
Main Assembly III	7
Main Assembly IV.....	8
Main Assembly V.....	9
Main Assembly BOM Pg 1 of 2.....	10
Front Drive Assembly.....	12
Front Drive Assembly BOM	13
Front Drive Subassembly	14
Idler Subassembly.....	14
Bearing Subassembly	14
Rear Wheel Assembly	15
Roller Bumper Assembly	16
Linkage Assembly.....	17
Linkage Assembly BOM.....	18
Steering Assembly	19
Steering Assembly BOM.....	22
Console Assembly	23
Solution Tank Assembly.....	24
Solution Tank Assembly I	24
Solution Tank Assembly II	25
Solution Tank Assembly BOM	26
Hose Assembly - Drain, Solution Tank.....	27
Electrical Box Assembly.....	28
Electrical Box Assembly BOM	29
Electrical Panel Assembly.....	30
Control Panel Subassembly	30
Switch Panel Assembly.....	31
Solution Tank Assembly.....	33
Pump Subassembly	33
Pump Subassembly BOM.....	34
Recovery Tank Assembly.....	35
Recovery Tank Assembly I	35
Recovery Tank Assembly II	36
Recovery Tank Assembly III	37
Recovery Tank Assembly IV.....	38
Recovery Tank Assembly BOM.....	39
Dump Hose Assembly	40

Table of Contents cont'd.

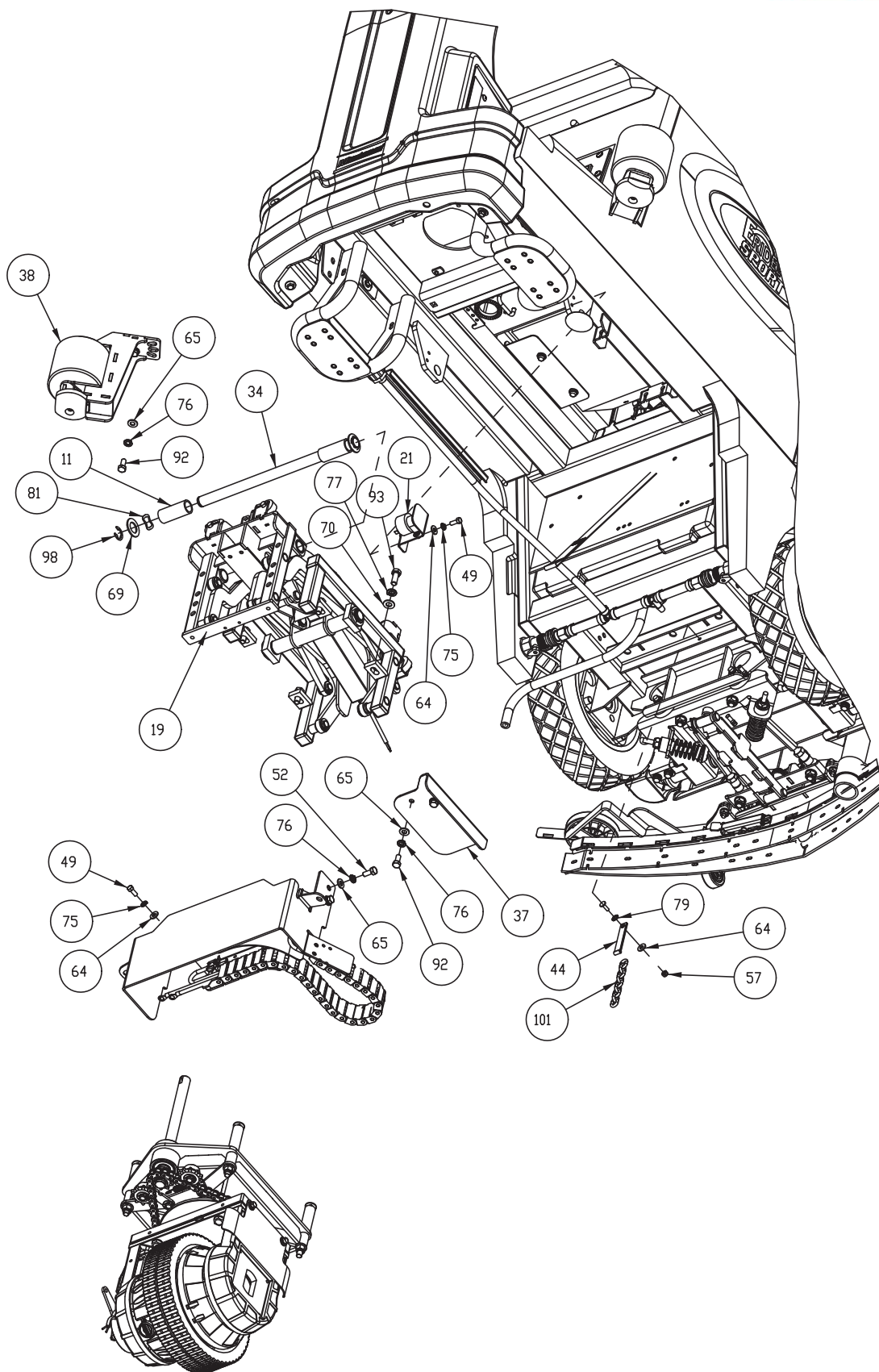
Battery Panel Assembly	41
Left Hand Side.....	41
Right Hand Side	42
Attachment Assembly.....	43
Dashboard Assembly.....	44
Dashboard Assembly BOM.....	45
Seat Assembly	46
Horn Assembly.....	47
Cable Guide Assembly	48
Disc Scrubdeck Main Assembly.....	49
Side Squeegee Subassembly - Left Hand Side	50
Side Squeegee Subassembly - Right Hand Side.....	51
Disc Scrubdeck Subassemblies	52
Disc Scrubdeck Subassembly I.....	52
Disc Scrubdeck Subassembly II.....	53
Disc Scrubdeck BOM	54
Solution Feed Hose Subassembly	55
Rear Squeegee Assembly	57
Rear Squeegee Assembly BOM.....	58
Squeegee Mechanism Assembly.....	59
Squeegee Mechanism Assembly BOM	60
Wiring Diagram.....	61
Warranty	66

Main Assembly

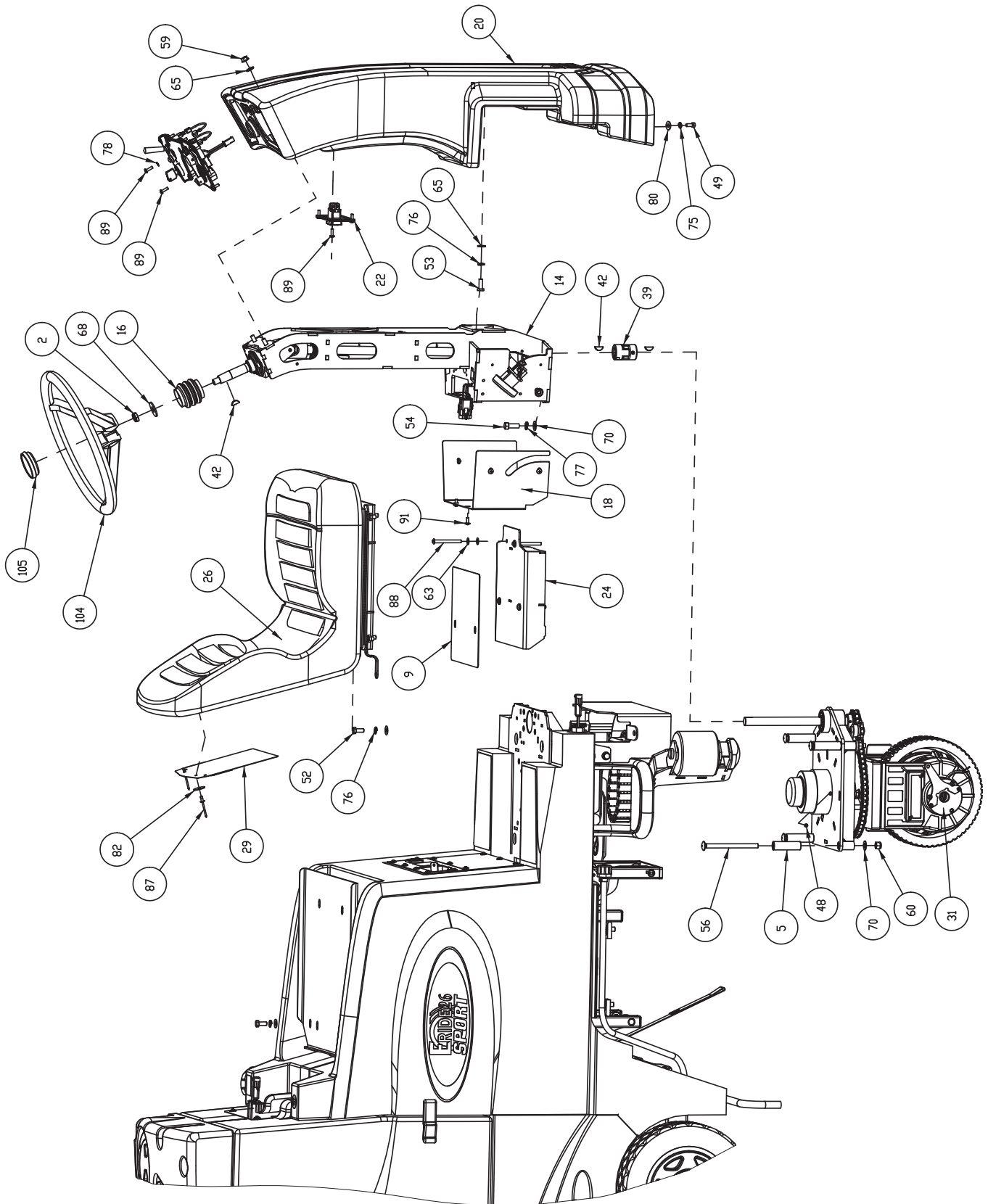
Main Assembly I



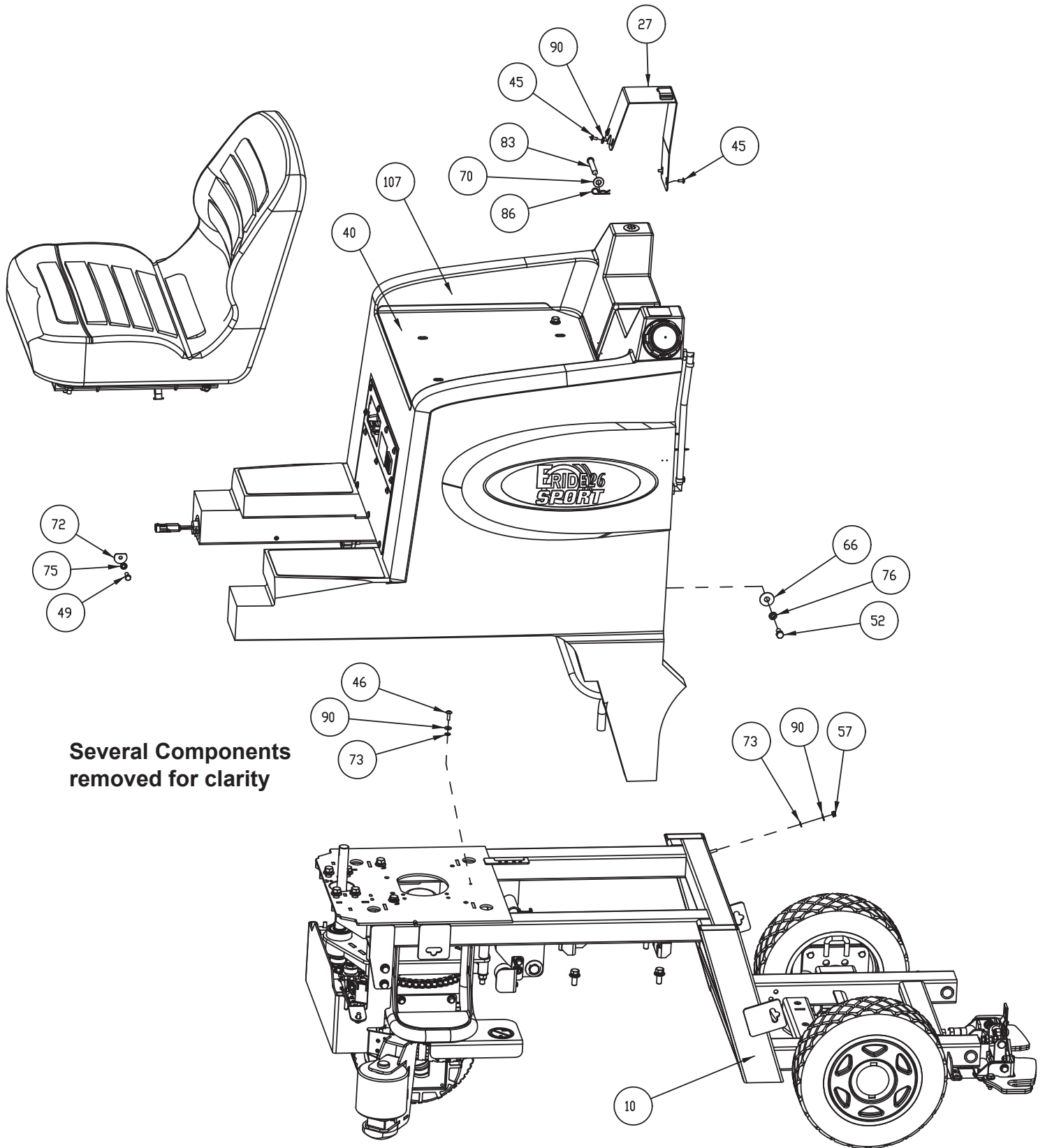
Main Assembly II

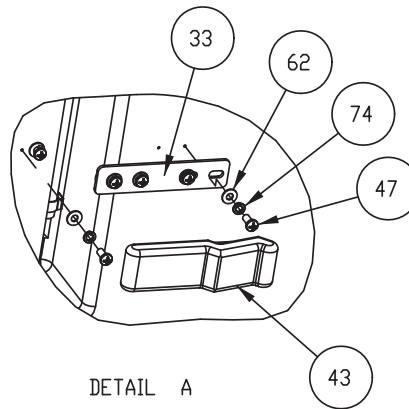
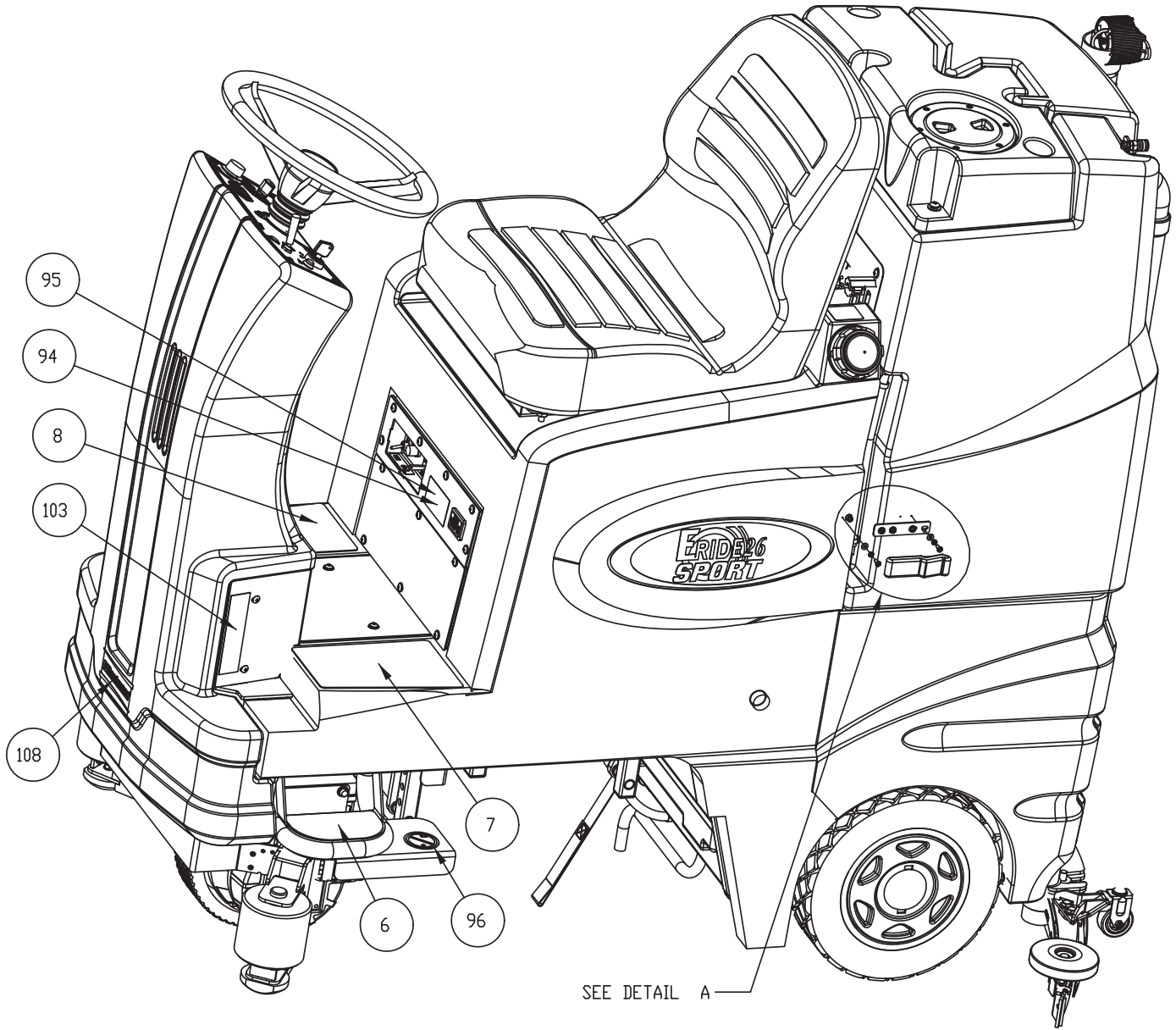


Main Assembly III



Main Assembly IV

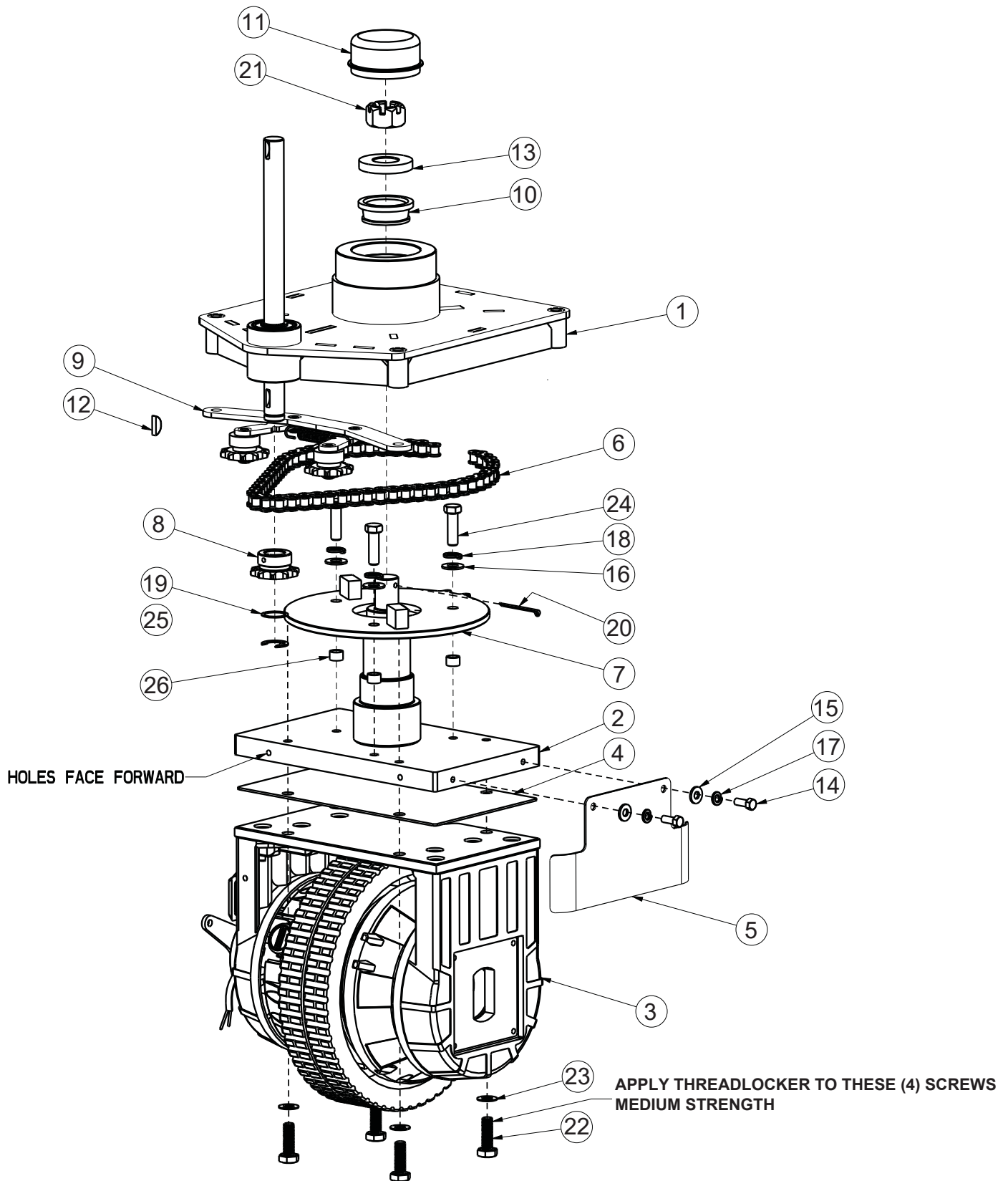




BILL OF MATERIAL -SC2426MS							
ITEM	PART #	QTY	DESCRIPTION	ITEM	PART #	QTY	DESCRIPTION
1	82-54-A	1	CLAMP, MS21333-114	28	241371	1	BRACKET - BATTERY CONNECTOR, SCV 2426
2	368-816	1	HALF NUT NYLOC 1/2-20	29	241372	1	USER MANUAL POUCH - PLASTIC
3	241023	1	REAR BATTERYCOVER, SCV 24/26	30	241398	2	REAR WHEEL ASSY, E RIDE 2426
4	241024	1	BATTERYBOX, SCV24/26	31	241411	1	FRONT DRIVE ASSEMBLY (~10"), E RIDE
5	241048	4	DRIVE MOTOR STANDOFF, SCV 24/26	32	241423	1	SPRING, EXT ENSION
6	241117	2	FRONT FOOT STEP ANTISKID, SCV 24	33	241434	1	RECOVERY TANK LATCH MTG. EXT . BRKT ., SCV 24/26
7	241137	1	FOOT REST ANTISKID,SCV 24/26 LH	34	241480	1	LINKAGE ATTACHMENT SHAFT, SCV 24/26
8	241138	1	FOOT REST ANTISKID,SCV 24/26 RH	35	241497	2	SPACER - 3/8 THICK X 1.75 O.D., STEEL
9	241139	1	FLOOR PANEL ANTISKID, SCV 24/26	36	172163	1	SQUEEGEE BLADE, REAR 34" (860), 4MM PU
10	241200	1	MAIN FRAME WMT - E RIDE 26 / B100R	37	241566	1	SHIELD - IGUS CHAIN, E RIDE 2426
11	241217	2	SPACER TUBE - SCV 2426	38	241639	2	ROLLER BUMPER ASSEMBLY
12	241218	1	BATTERYCOVER ASSEMBLY LH, SCV 2426	39	281051	1	SPIDER COUPLING, 3/4"
13	241219	1	BATTERYCOVER ASSEMBLY RH, SCV 2426	40	283210	1	PLATE, SEAT SUPPORT
14	241220	1	STEERING ASSEMBLY	41	360017	2	3/4" X 4.50 CLEVIS PIN
15	241221	1	DASHBOARD ASSEMBLY, SCV2426	42	383277	3	KEYWOODRUFF 3/16 X 3/4
16	241224	1	BOOT - SHAFT, SCV 2426	43	450207	2	LATCH, SOFT #C7-10
17	241236	1	WIRE ROUTING BRACKET - SCV 2426	44	670138	1	CHAIN MTG STRAP, 6.125 X 0.5
18	241239	1	STEERING COVER - LOWER, SCV 2426	45	710025	4	SCR-MC TR HD 8-32 X .375 SS
19	241242	1	LINKAGE ASSY W/O ACTUATOR, SCV 2426	46	710154	1	SCR-MC TR HD 10-32 X .625 SS
20	241245	1	CONSOLE ASSEMBLY, SCV2426	47	710328	10	SCR-MC RD HD 8-32X.37 STL
21	241258	1	HORN ASSY. - SCV 2426	48	711011	1	SCR-SK 1/4-20 X .25 - CUP PT . SET SCR
22	241697	1	ASSY, REAR SWITCH PANEL, TOGGLE & 3 LEDS	49	711203	8	BLT-HH 1/4-20 X 0.62 STPL
23	241300	1	SQUEEGEE MECHANISM - E RIDE 24/26	50	711206	11	BLT-HH 1/4-20 X .87 STL ZINC
24	241303	1	FLOOR PANEL WELDMENT - SCV 2426	51	711213	2	BLT-HH 1/4-20 X 1.62
25	241356	1	VACUUM HOSE - 48" FLEXIBLE W/ PVC CUFFS	52	711228	12	BLT -HH 5/16-18 X .75 ST PL
26	241365-1	1	SEAT ASSEMBLY, B100R / ERIDE	53	711229	2	BLT-HH 5/16-18 x .875
27	241370	1	BRACKET - HOLDING ST RAP, SCV 2426	54	711242	6	BLT-HH 3/8 -16 X 1.00

BILL OF MATERIAL -SC2426MS							
ITEM	PART NO.	QTY	DESCRIPTION	ITEM	PART NO.	QTY	DESCRIPTION
55	711243	2	SCR-HEX 3/8 -16X1.50 ZP	82	711599	2	WSR-FLT .187 X 1.00 X .06
56	711262	4	BLT-CARR 3/8-16 X 5 #5 ZINC PL	83	711678	1	CLEVIS PIN 3/8 X 2-1/4
57	711350	2	NUT-NYLOC 10-32	84	711685	8	SCR - FL HD 1/2-13 UNC X .75" SOC
58	711353	4	NUT, ACORN 5/16-18	85	711807	2	COTTER PIN .12 X 1.75
59	711379	2	NUT, FLANGED WIZZ 5/16-18	86	711808	1	COTTER PIN-HAIR #13
60	711380	6	NUT-NYLOC 3/8-16 NUT	87	711923	2	POP RIVET 3/16"
61	711425	2	NUT - HEX 1/4-20, WHIZ NUT	88	712328	4	SCR-SC BH 1/4-20 X 2.5 SS
62	711502	10	WSR-FLT .170 x.38 x.032 STL ZINC	89	712530	13	SCR-MC 10-24 X .62 SS
63	711504	12	WSR-FLAT 1/4 ID SS	90	712764	4	WSR #10 SS
64	711505	16	1/4 FLAT WASHER, ST EEL	91	712822	6	SCR-MC TR HD 10-24 X .50 SS
65	711506	14	WSR-FLT .344 X .690 X .062, STEEL	92	713026	6	BLT -HH 5/16-18 X 3/4 #5
66	711507	14	WSR-FLAT .37 X 1.12 X .06	93	713042	4	BLT-HH 3/8-16 X 1 #5
67	711508	2	WSR-FLAT .44X 1.0X.08	94	715029	1	DECAL-NAME PLAT E SERIAL
68	711510	1	WSR FLAT .5 X 1.37 X .100	95	715047	1	DECAL-CLEAR LAMINATE 2X3
69	711512	2	WSR-FLAT .75X1.37X.08	96	715644	1	WARNING LABEL - "DO NOT STEP"
70	711515	19	WSR-FLAT .406 X .812 X .0625	97	748214	1	CABLE ASSY- DRIVE MOTOR, B100R
71	711519	2	WSR- FLAT .25 X 1.01 X .06	98	809148	2	RETAINING RING -"E" TYPE, EXT., 3/4"
72	711519	2	WSR- FLAT .25 X 1.01 X .06 (MODIFIED)	99	832974	1	CLEVIS PIN, 1/4 x 1-3/8
73	711534	2	WSR-EXT ERNAL LOCK #10	100	840118	2	BUSHING .375 ID X .625 X .75 STL
74	711542	11	WSR-HELICAL #8	101	3307658	1	CHAIN - FRAME GROUNDING
75	711544	18	WSR-HELICAL 1/4	102	3400125	1	PIN-COT T ER 3/8 RUE RING
76	711545	21	WSR-HELICAL 5/16	103	17267451	1	ADHESIVE LABEL - GENERAL SAFETY
77	711546	10	WSR-HELICAL 3/8	104	90511270	1	STEERING WHEEL - 14" OD, SOFT GRIP. BLACK
78	711553	1	WSR- INTERNAL LOCK #10	105	90759606	1	STEERING WHEEL CAP
79	711564	1	WSR-EXT ERNAL LOCK 1/4	106	241013M	1	RECOVERY TANK ASSEMBLY, E-RIDE 2426
80	711575	8	WSR-FLT .31x.75x.06ST	107	241762M	1	ASSY, SOLUTION TANK, SPORT, E-RIDE 2426
81	711583	2	WSR-WAVE .78 X 1.00 X .02	108	715914W	1	DECAL, MINUTEMAN W/SWOOSHES, WHITE

Front Drive Assembly



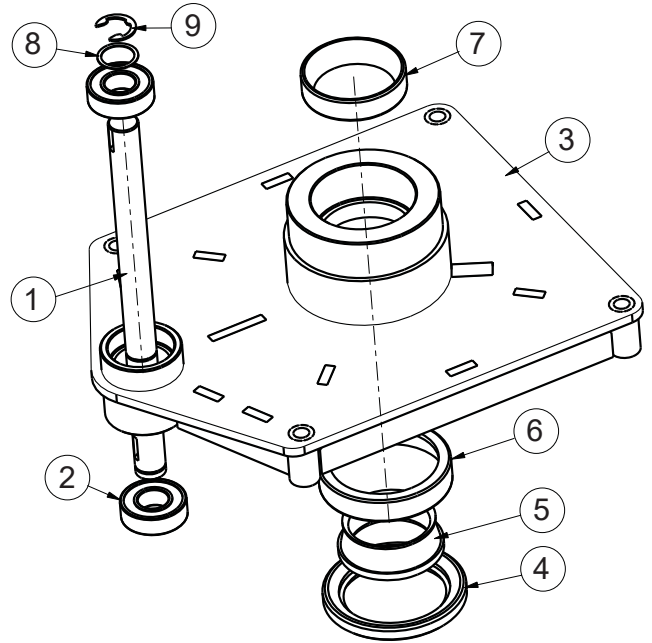
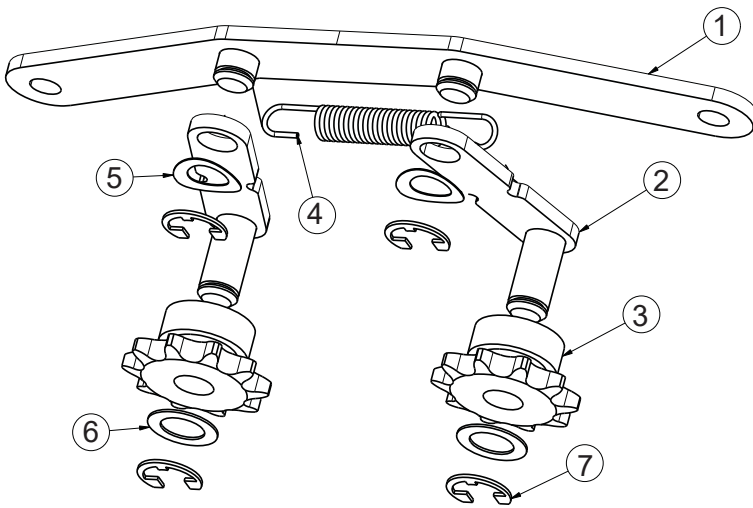
Front Drive Assembly BOM

BILL OF MATERIAL - 241411			
ITEM	PART NO.	QTY	DESCRIPTION
1	241257	1	FRONT DRIVE W/BEARING ASSY, SCV 24/26
2	241392	1	SPINDLE WELDMENT - SCV 2426 (B100R)
3	241400	1	ELECTRIC CHASSIS DRV-ERIDE 250mm(~10.0")
4	241450	1	SPACER-FRONT DRIVE MOTOR, E RIDE/ B100R
5	241564	1	SHIELD - AMER MOTOR, SIDE, PAINTED STEEL
6	281054	1	CHAIN-STEERING No 40, 27.5IN
7	281254	1	STEERING DISC WMT
8	281268	1	SPROCKET-RC # 40-10 TEETH-3/4IN BORE
9	281285	1	IDLER ASSY, FRONT DRIVE
10	383077	1	BEARING-ROLL 1.50 X 2.350 X .780
11	383250	1	GREASE CAP SPINDLE
12	383277	1	KEY-WOODRUFF 3/16 X .750
13	383364	1	SPACER, FRONT DRIVE
14	711203	2	SCR-HH 1/4-20 X .62 ZP TAP
15	711505	2	WASHER-FLAT 1/4 ZP
16	711515	3	WASHER-FLAT 3/8 X .812 X .0625 ZP
17	711544	2	WASHER-LOCK 1/4 SPLIT ZP
18	711546	3	WASHER-LOCK 3/8 SPLIT ZP
19	711588	1	WASHER-FLAT 3/4 X 1.00 X .025 ZP
20	711807	1	PIN-COTTER .12 X 1.75
21	712113	1	NUT-CASTLE 7/8-14 PLAIN GR 2
22	712330	4	SCR-HH M10-1.50 X 30 ZP CLASS 8.8
23	712767	4	WASHER-FLAT .406 X .75 X .035 SS
24	713043	3	SCR-HH 3/8-16 X 1.25 ZP GR 5
25	809148	1	RET RING-E TYPE .75
26	809247	3	SPACER-.442 X .50 X .312

Front Drive Subassembly

Bearing Subassembly

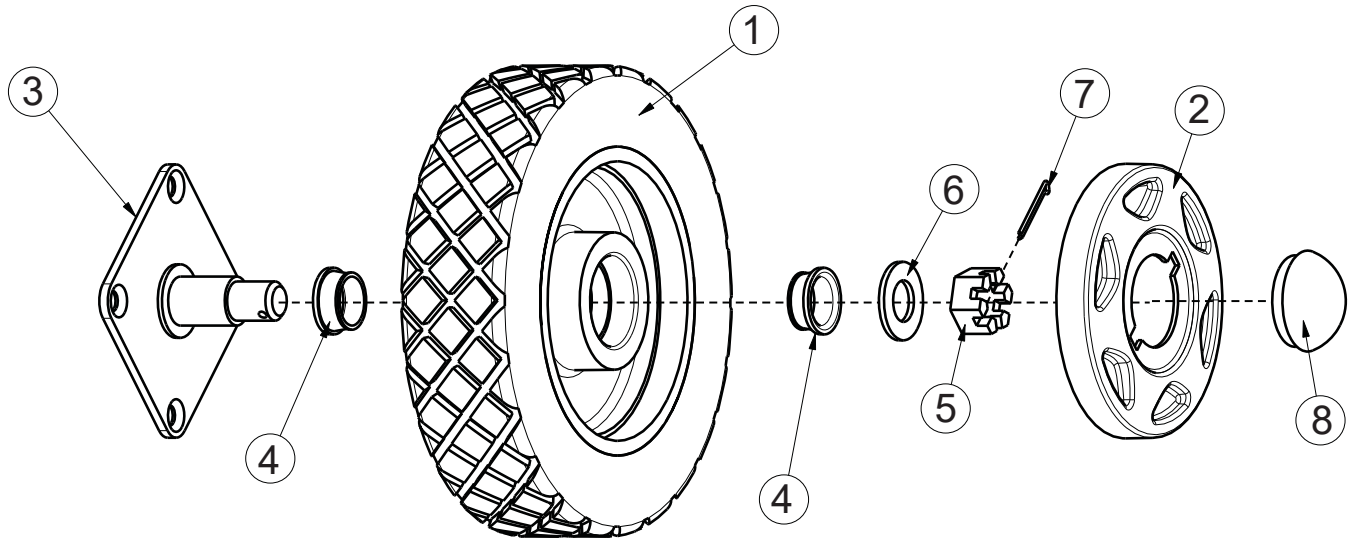
Idler Subassembly



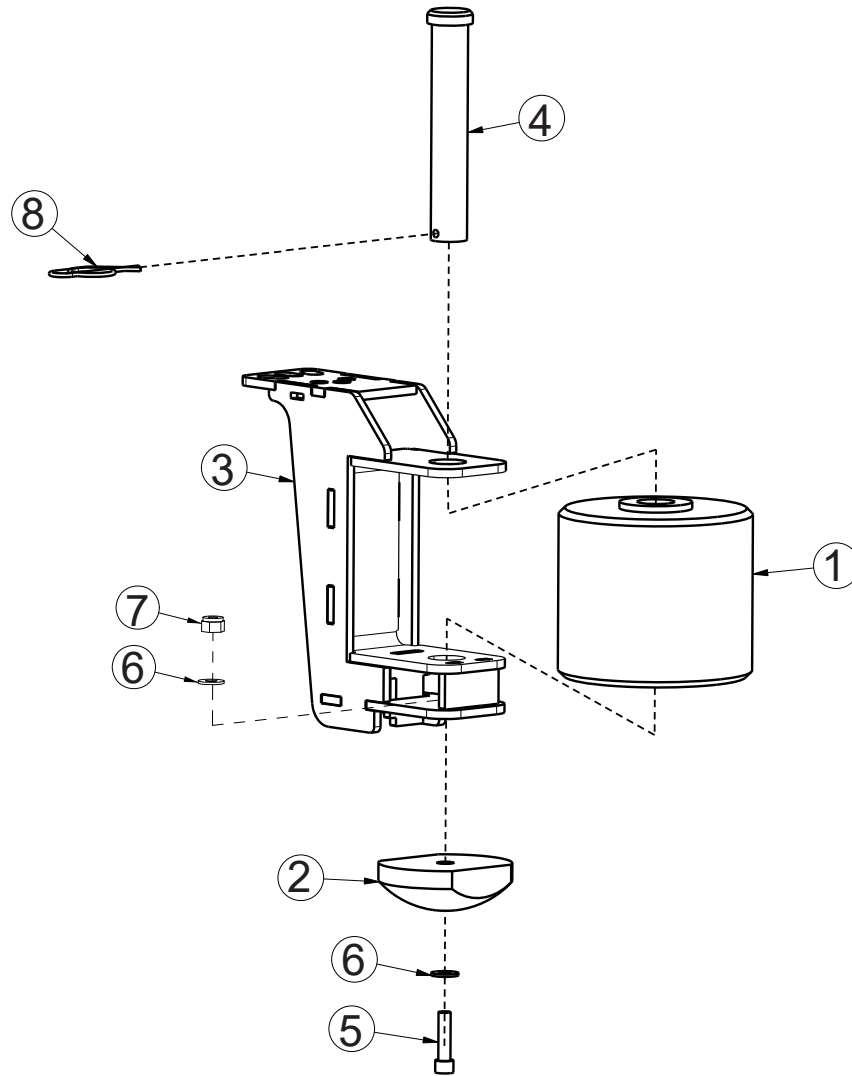
BILL OF MATERIAL - 241285			
ITEM	PART #	QTY	DESCRIPTION
1	281276	1	IDLER BASE WMT, FRONT DRIVE
2	281279	2	IDLER ARM WMT, FRONT DRIVE
3	281282	2	IDLER SPROCKET -RC #40, 10 T EET H, 1/2" BORE, NYLON
4	430051	1	SPRING-RETURN .313 X .438 X 2.93 SS
5	711524	2	WSR-WAVE .52 X .87 X .01
6	711594	2	WSR-FLAT .56 X .88 X .03 NICKEL
7	711713	4	RET RING-E TYPE EXT .50

BILL OF MATERIAL - 241257			
ITEM	PART #	QTY	DESCRIPTION
1	241267	1	STEERING SPROCKET SHAFT , SCV 24/26
2	281057	2	BEARING-RADIAL .750 X 1.625 X .500
3	281260	1	MOUNT WMT, FRONT DRIVE
4	383074	1	SEAL-LIP
5	383075	1	BEARING-ROLL 2.00 X 2.975 X .930
6	383076	1	BEARING-RACE (CONE) 3.250 X .650
7	383078	1	BEARING-RACE (CONE) 2.562 X .620
8	711588	1	WSR-FLT .75 X 1.00 X .025
9	809148	1	RET RING-E TYPE .75 5133-75

Rear Wheel Assembly

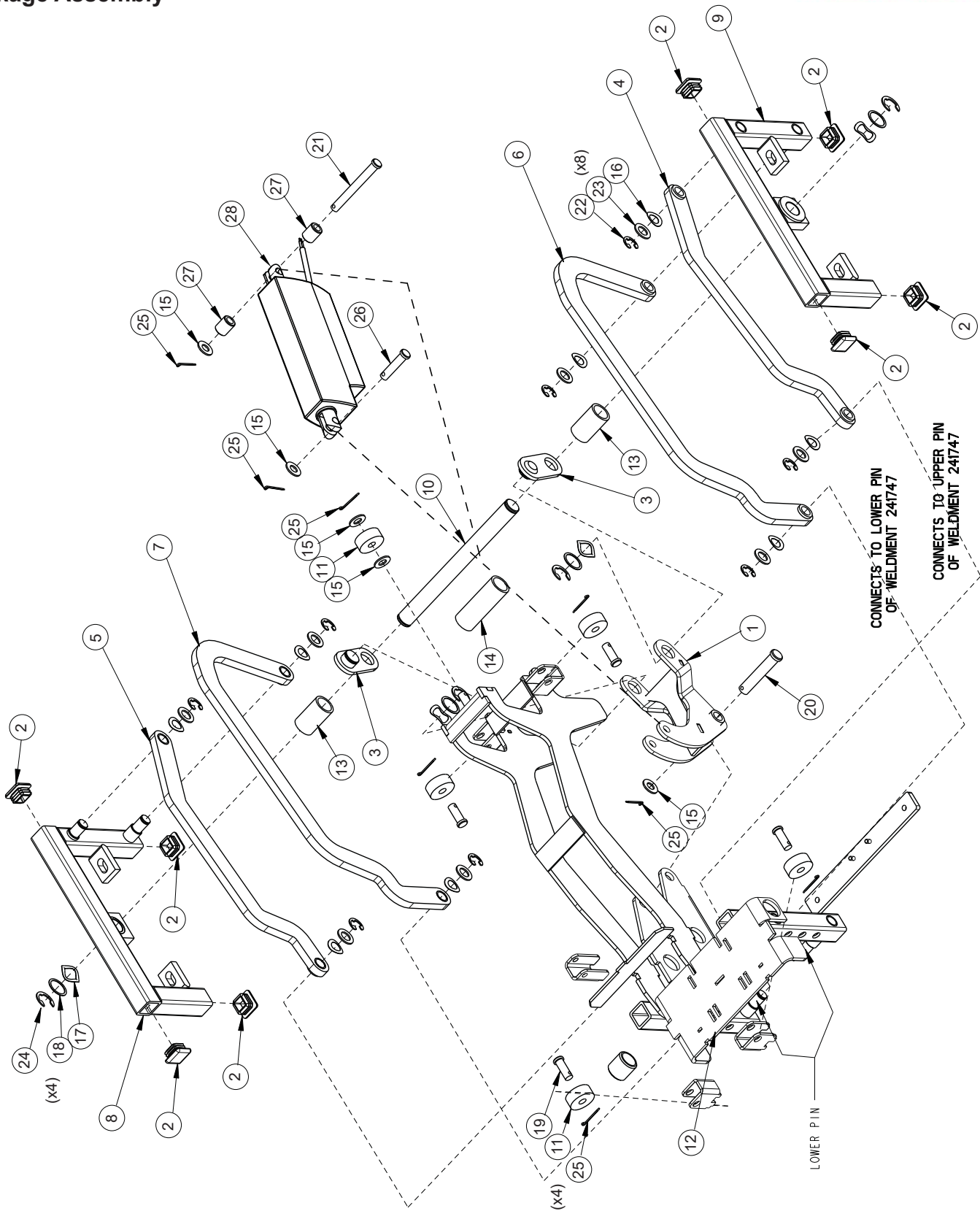


BILL OF MATERIAL - 241398			
ITEM	PART NO.	QTY	DESCRIPTION
1	241210	1	REAR WHEEL ASSY
2	241212	1	HUB CAP, WHEEL
3	241495	1	AXLE WELDMENT, REAR
4	3300471	2	BEARING - TAPERED ROLCONE W/SEAL
5	711450	1	NUT-SLOTTED, 1-14 UNS - 2A
6	711514	1	WSR-FLT, I.O. ID X 2.0 OD
7	380-632-20	1	3/16 COTTER PIN
8	383241PTD	1	GREASE CAP WHEEL-PAINT ED



BILL OF MATERIAL - 241639			
ITEM	PART NO.	QTY	DESCRIPTION
1	66-436-A	1	ROLLER
2	241151	1	ANTI-TIP PAD
3	241595	1	ROLLER BUMPER WELDMENT
4	360017	1	3/4" X 4.50 CLEVIS PIN
5	710826	1	SCR-SHCS 1/4-20 X 1.00 SS
6	711504	2	WSR-FLAT 1/4 ID SS
7	712667	1	NUT, HEX 1/4-20 NYLOC SS
8	3400661	1	PIN-COTTER 5/8 RUE-RING

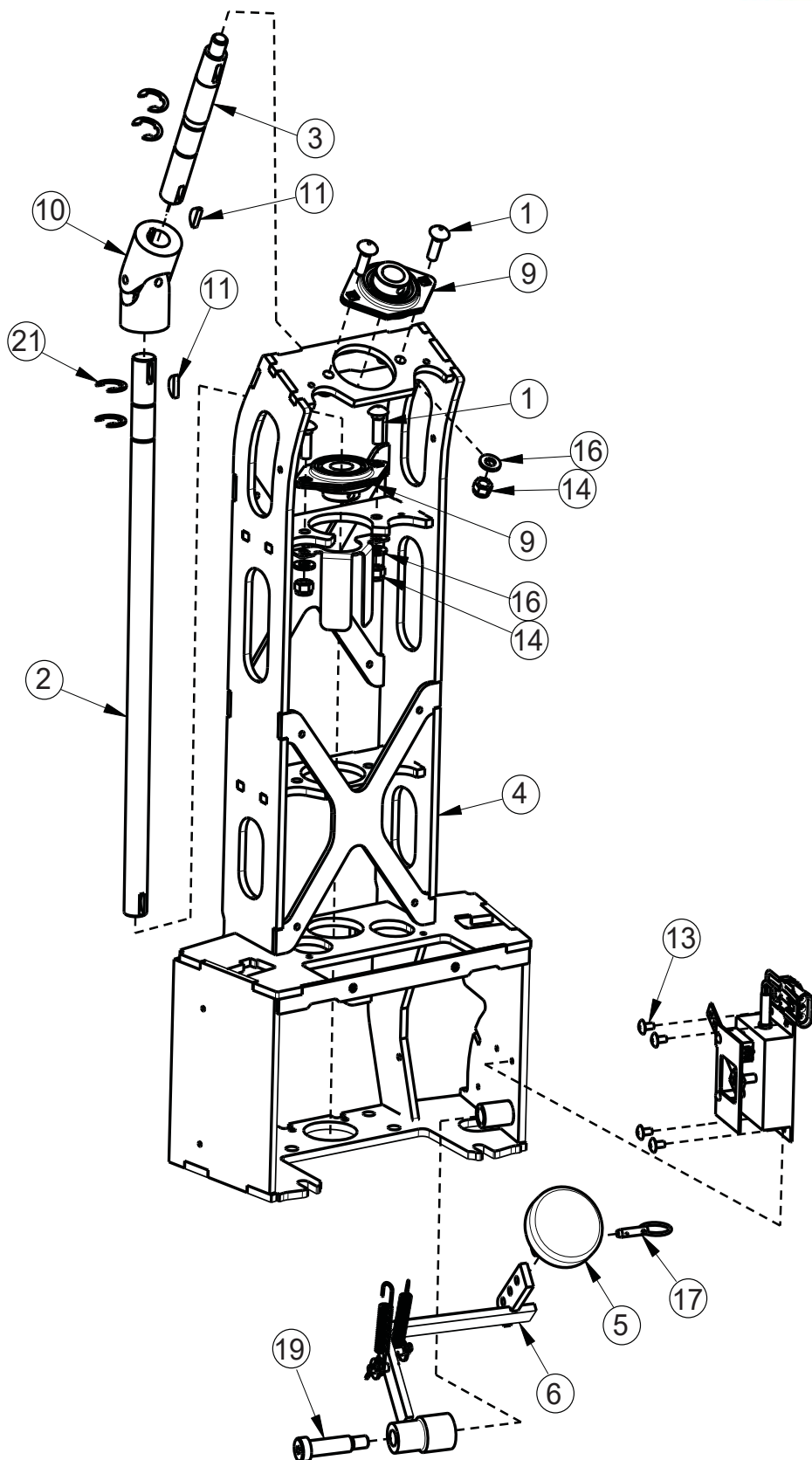
Linkage Assembly



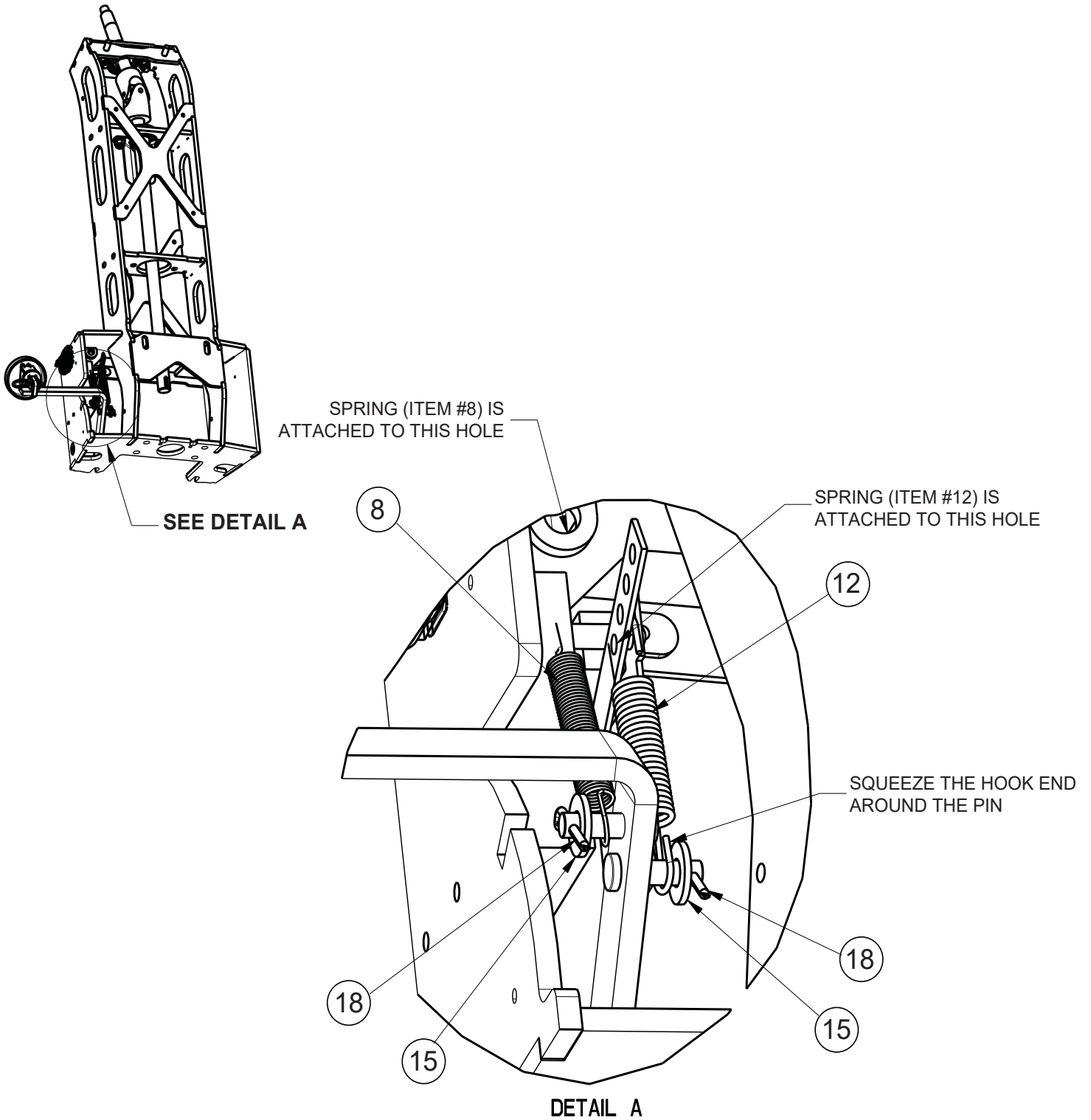
Linkage Assembly BOM

BILL OF MATERIAL - 241242			
ITEM	PART NO.	QTY	DESCRIPTION
1	241350	1	LINKAGE ARM WELDMENT
2	241355	8	SQUARE POLYET HYLENE PLUG
3	241367	2	DECK LINK WELDMENT
4	241462	1	LEFT UPPER LINK ASSEMBLY
5	241464	1	RIGHT UPPER LINK ASSEMBLY
6	241465	1	LEFT LOWER LINK ASSEMBLY
7	241467	1	RIGHT LOWER LINK ASSEMBLY
8	241468	1	LEFT LIFT WELDMENT W/BUSHING
9	241470	1	RIGHT LIFT WELDMENT W/BUSHING
10	241472	1	LINK ATTACHMENT SHAFT
11	241485	5	URETHANE ROLLER - .375 ID X 1.25 OD
12	241747	1	FIXED PIVOT WELDMENT
13	241971	2	SPACER TUBE - 1.63" L
14	241972	1	SPACER TUBE - 2.81" L
15	711515	5	WSR-FLAT .406 X .812 X .0625
16	711524	8	WSR-WAVE .52 X .87 X .01
17	711583	4	WSR-WAVE .78 X 1.00 X .02
18	711588	4	WASHER - FLAT, .76 ID X 1.00 OD X .020
19	711668	4	CLEVIS PIN, 3/8X1 11-141
20	711669	1	CLEVIS PIN - ST EEL, .50 O.D. X 2.50 L
21	711681	1	PIN CLEVIS, 3/8 X 3-1/4 ZP
22	711713	8	RETAINING RING - "E" TYPE EXT .500
23	712310	8	WSR- FLAT .52 X .87 X .06 PL
24	809148	4	RET AINING RING -"E" TYPE, EXT ., 3/4"
25	809311	8	PIN-COTTER 7/64 DIA X 1
26	831965	1	3/8 x 1.63" CLEVIS PIN
27	840118	2	BUSHING .375 ID X .625 X .75 STL
28	740822-1	1	LINAK ACTUATOR, 100MM STROKE, 75 W/ TERMINALS

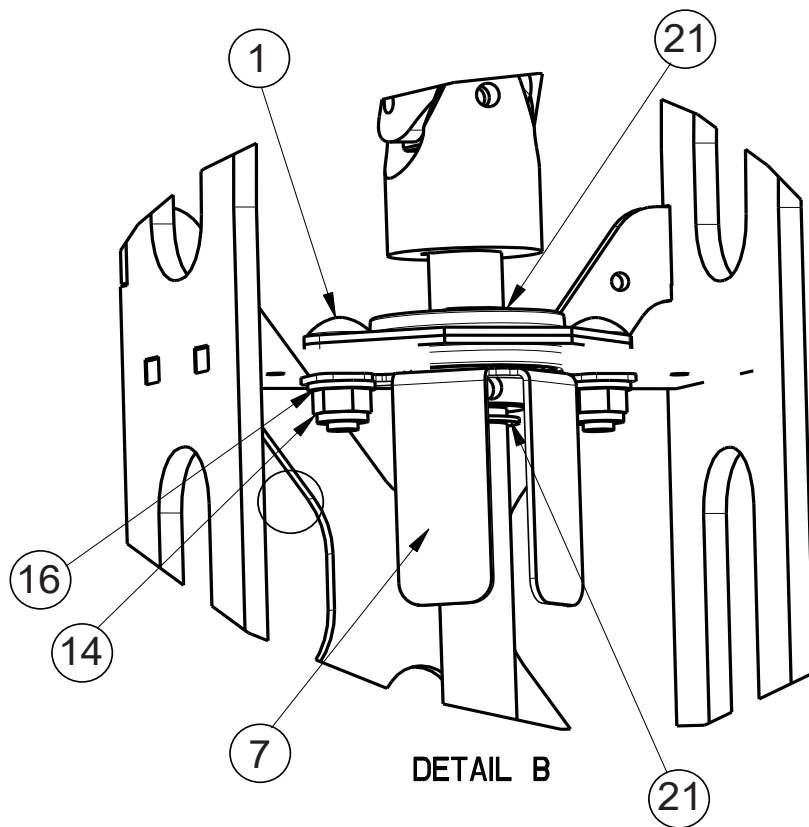
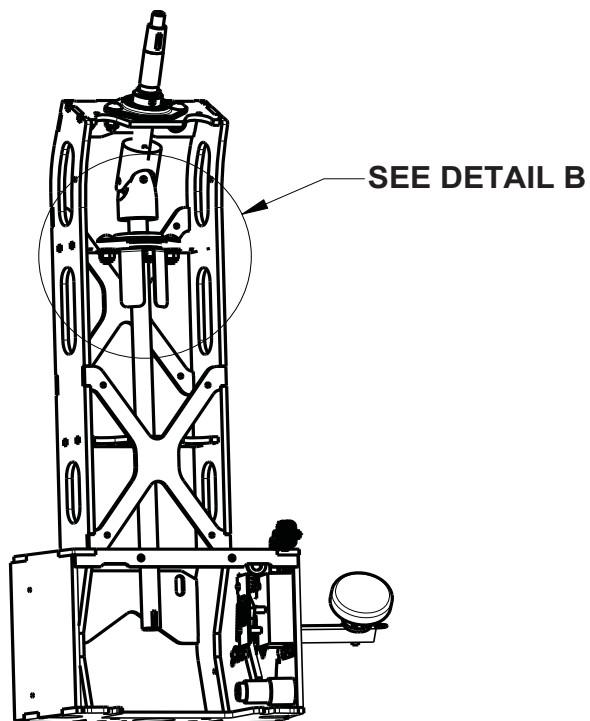
Steering Assembly



Steering Assembly



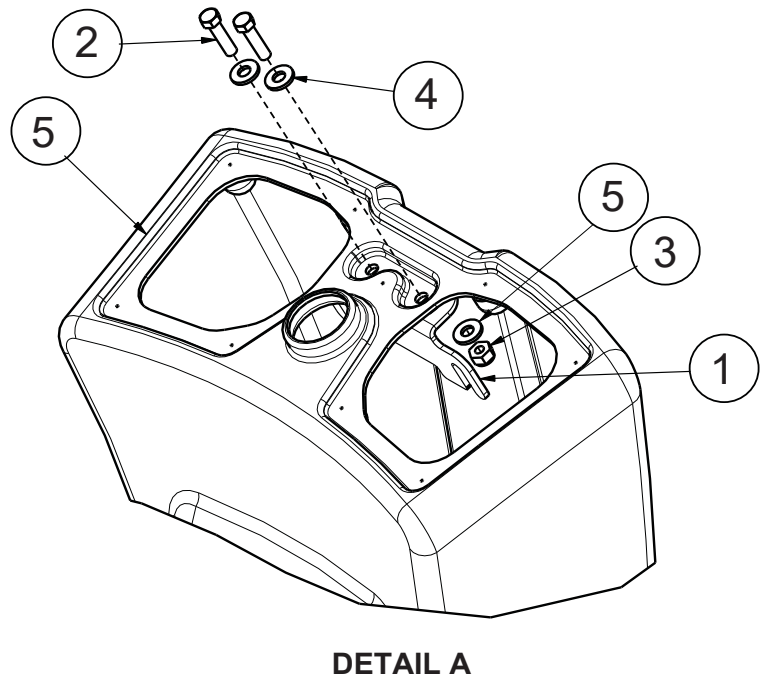
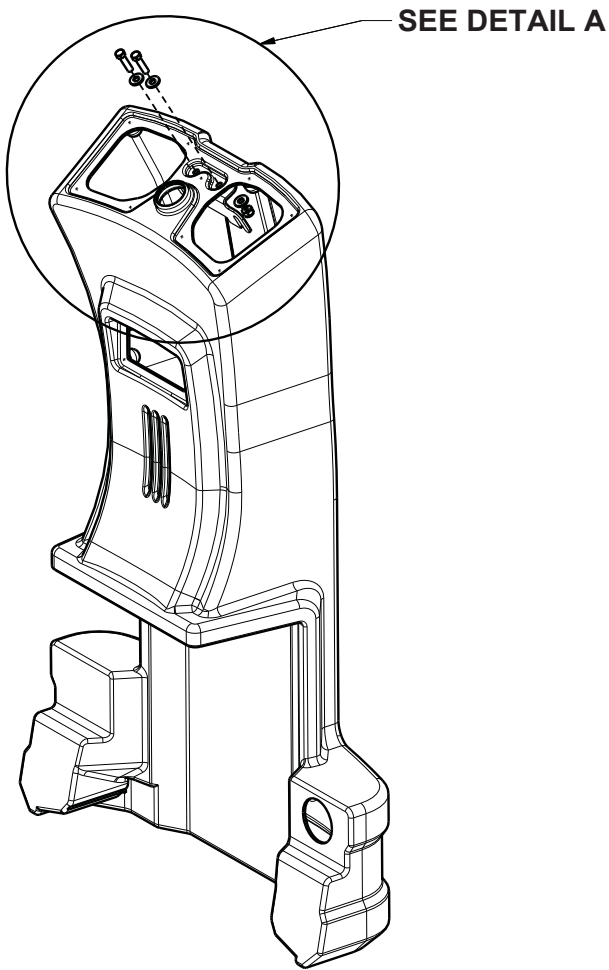
Steering Assembly



Steering Assembly BOM

BILL OF MATERIAL - 241220			
ITEM	PART NO.	QTY	DESCRIPTION
1	70-516-16	4	BLT-CARR 5/16-18 X 1
2	241161	1	SHAFT - SCV STEERING
3	241163	1	SHAFT -STEERING
4	241175	1	WLDMT-STEERING FRAME
5	241222	1	WLDMT-ACCELERAT OR PEDAL ROUND STYLE
6	241244	1	WELDMENT-ACCELERATOR ARM
7	241364	1	SHIELD - STEERING FRAME
8	281047	1	SPRING-EXT 2.75
9	281392	2	BEARING ASSEMBLY 3/4"
10	383098	1	JOINT-UNIVERSAL 3/4"
11	383277	2	KEY-WOODRUFF 3/16 X 3/4
12	430051	1	SPRING-RET URN .313 X .438 X 2.93 SS
13	710153	4	SCR-MC 10-32 X .37 ZINC
14	711374	4	NUT-NYLOC 5/16-18
15	711505	2	WSR-FLT 1/4
16	711506	4	WSR- FLAT, 5/16 TYPE A, SERIES N (NARROW), ST PL
17	711682	1	PIN-QUICK REL, 1/4 X .50 UL
18	711951	2	PIN-COTTER - 3/32" X .75" ZINC
19	712102	1	BLT-SHOULDER 1/2 X 1.5
20	748013-2	1	RET RING-E TYPE .75 5133-75
21	809148	4	POT ENT IOMET ER BOX ASY, W/PACKARD

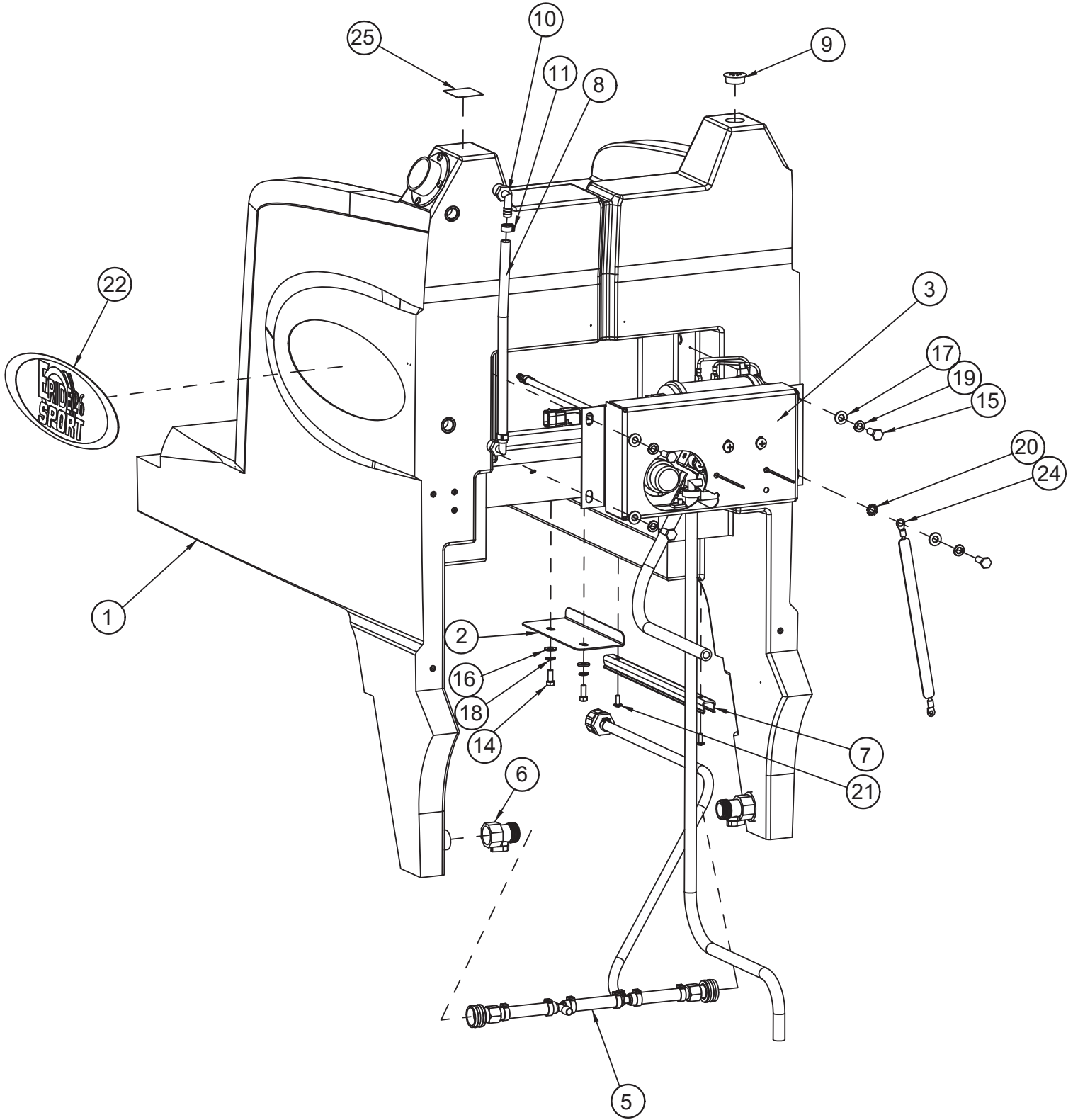
Console Assembly



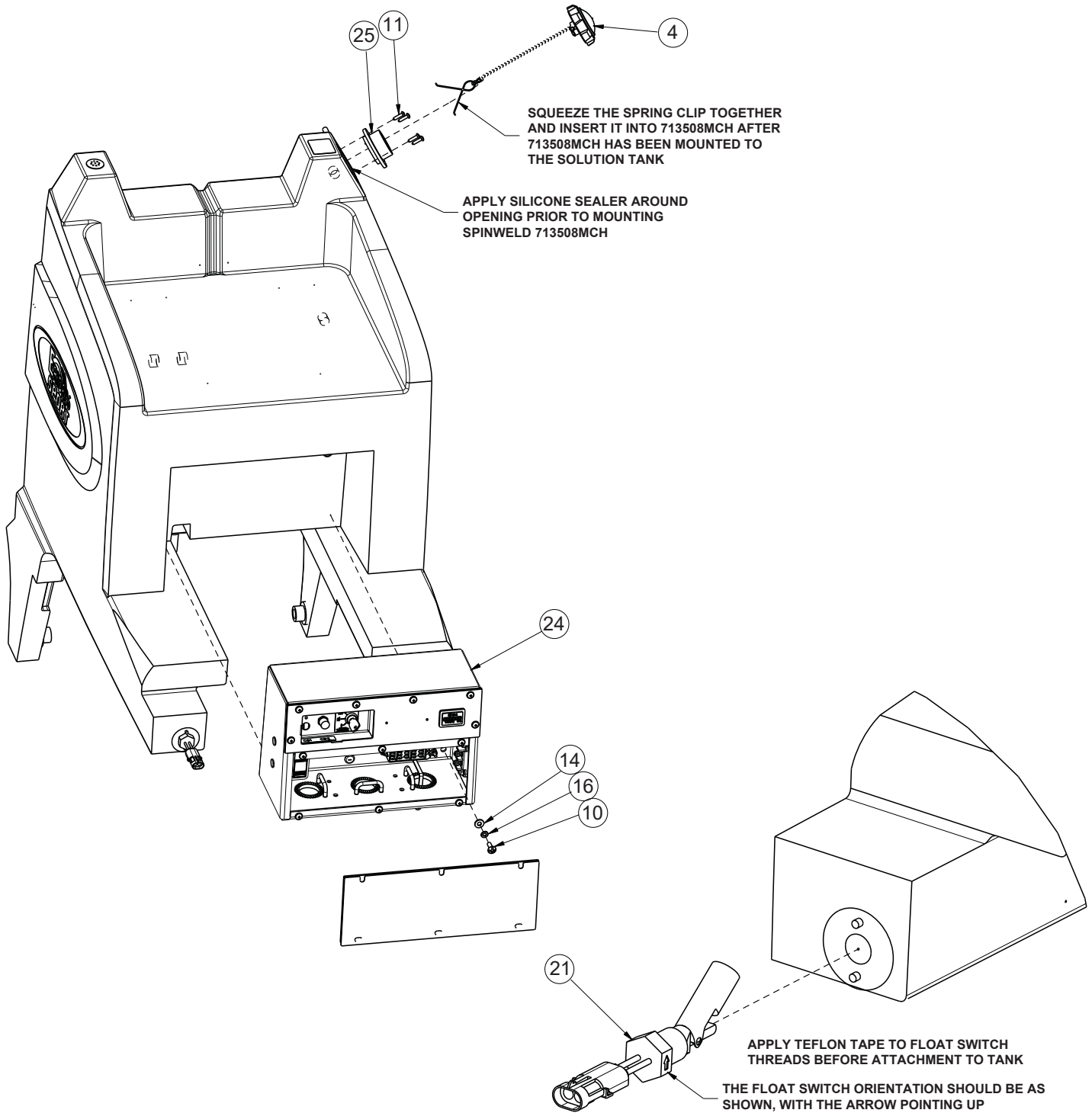
BILL OF MATERIAL - 241245			
ITEM	PART NO.	QTY	DESCRIPTION
1	241240	1	UPPER BRACKET - STEERING
2	711207	2	BLT-HH 1/4-20 X 1.00 STPL
3	711373	2	NUT-NYLOC 1/4-20
4	711505	4	WSR-FLAT 1/4
5	241160HG	1	CONSOLE

Solution Tank Assembly
Solution Tank Assembly I

APPLY TEFLON TAPE TO FITTING THREADS
BEFORE ATTACHMENT TO TANK (2 PLCS).



Solution Tank Assembly
Solution Tank Assembly II

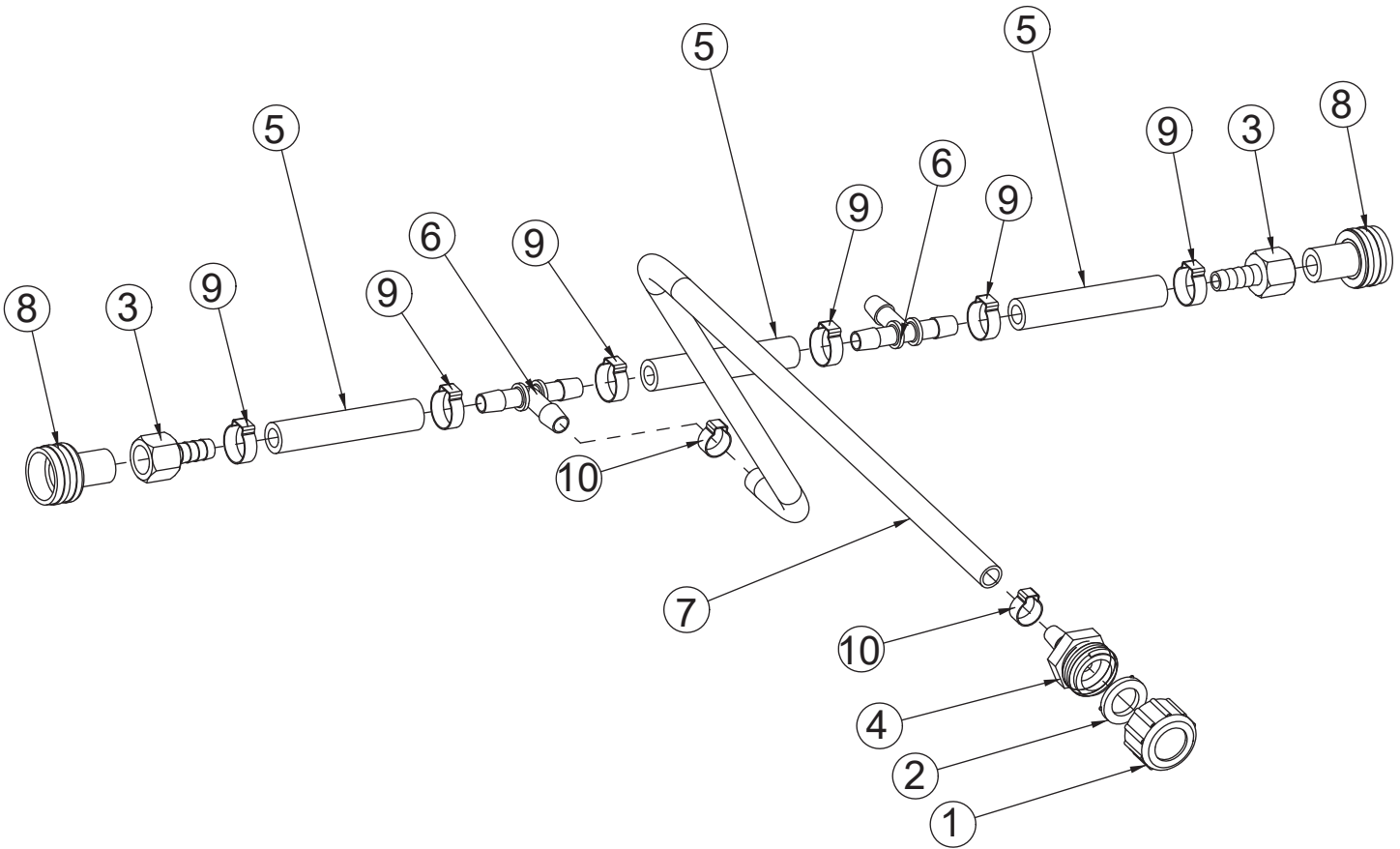


Solution Tank Assembly (see Solution Tank Assembly I & II)

Solution Tank Assembly BOM

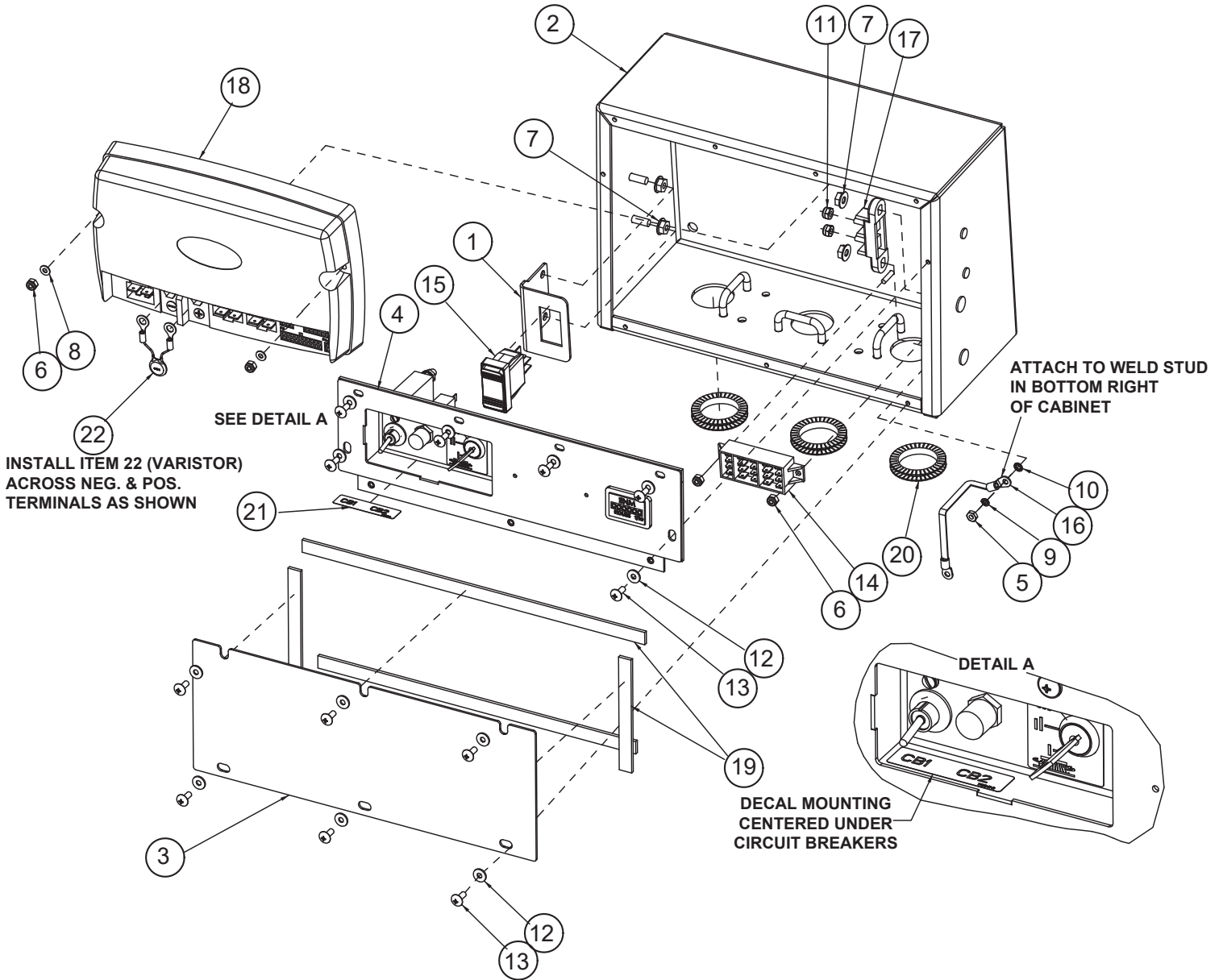
BILL OF MATERIAL - 241762M			
ITEM	PART NO.	QTY	DESCRIPTION
1	241002	1	SOLUTION TANK, SCV24
2	241041	1	SCV 24, WIRE BUNDLE, COVER PLATE
3	241098	1	PUMP SUB-ASSY
4	241146	1	UNVENTED PLASTIC CAP w/LANYARD, SCV 24/26
5	241395	1	HOSE ASSEMBLY - DRAIN, SOLUTION TANK, SCV 2426/ B100R
6	241570	2	VALVE - SHUT OFF, #35, BLACK, POLYPROPYLENE
7	260149	1	U CHANNEL 12"
8	260340	1	SOLUTION TANK SIGHT LEVEL TUBE, SCV 24/26
9	281371	1	PLUG-VENT
10	450040	2	ELBOW PLT 3/8MPT X3/8BARB
11	450092	2	CLAMP-CRIMP 145 STEPLESS
12	710180	4	SCR-MC TR HD 1/4-20 X .75 ZINC
13	711118	4	SCR-ST-A 10 X .75 SS
14	711203	2	BLT-HH 1/4-20 X .62
15	711229	4	BLT-HH 5/16-18 X .87 STL ZINC
16	711505	6	WSR-FLT 1/4
17	711506	4	WSR- FLAT, 5/16 TYPE A, SERIES N (NARROW), ST PL
18	711544	6	WSR-HELICAL 1/4
19	711545	4	WSR-HELICAL 5/16
20	711565	1	WSR-EXT LOCK 5/16
21	712822	2	SCR-MC 10-24 X .50 SS TR
22	715958	2	DECAL, E RIDE 26 SPORT
23	742708-4	1	FLOAT SWITCH, W/WEATHERPACK
24	748256	1	GROUND ST RAP, SCV2426 PUMP BOX TO FRAME
25	17262197	1	DECAL - MAX. SOLUTION TEMPERATURE
26	241763M	1	ELECTRICAL BOX ASY, ERIDE 2426 SPORT
27	713508MCH	1	SPINWELD # 20D MACHINED

Hose Assembly - Drain, Solution Tank



BILL OF MATERIAL - 241395			
ITEM	PART NO.	QTY	DESCRIPTION
1	200023	1	CAP - GARDEN HOSE, 3/4 X 11 1/2 FEMALE THREAD, WHITE
2	200024	1	WSR-BLACK VINYL
3	210410	2	FITTING-3/8FPT 3/8HOSE BRASS
4	241393	1	FITTING - 3/4" X 11-1/2 MALE GARDEN HOSE x 3/8" HOSE BARB, PLASTIC, WHITE
5	241496	3	HOSE - SOLUTION TANK DRAIN, 3.375" L
6	241726	2	NYLON SINGLE-BARBED TEE, 3/8"
7	241727	1	DRAIN HOSE 1/2" X 30"
8	281425	2	SWITCH-SWIVEL CONNECTOR-3/4 GHT X 3/8 MPT
9	450076	6	CLAMP-CRIMP 185R SS
10	828490	2	CLAMP-CRIMP 140R

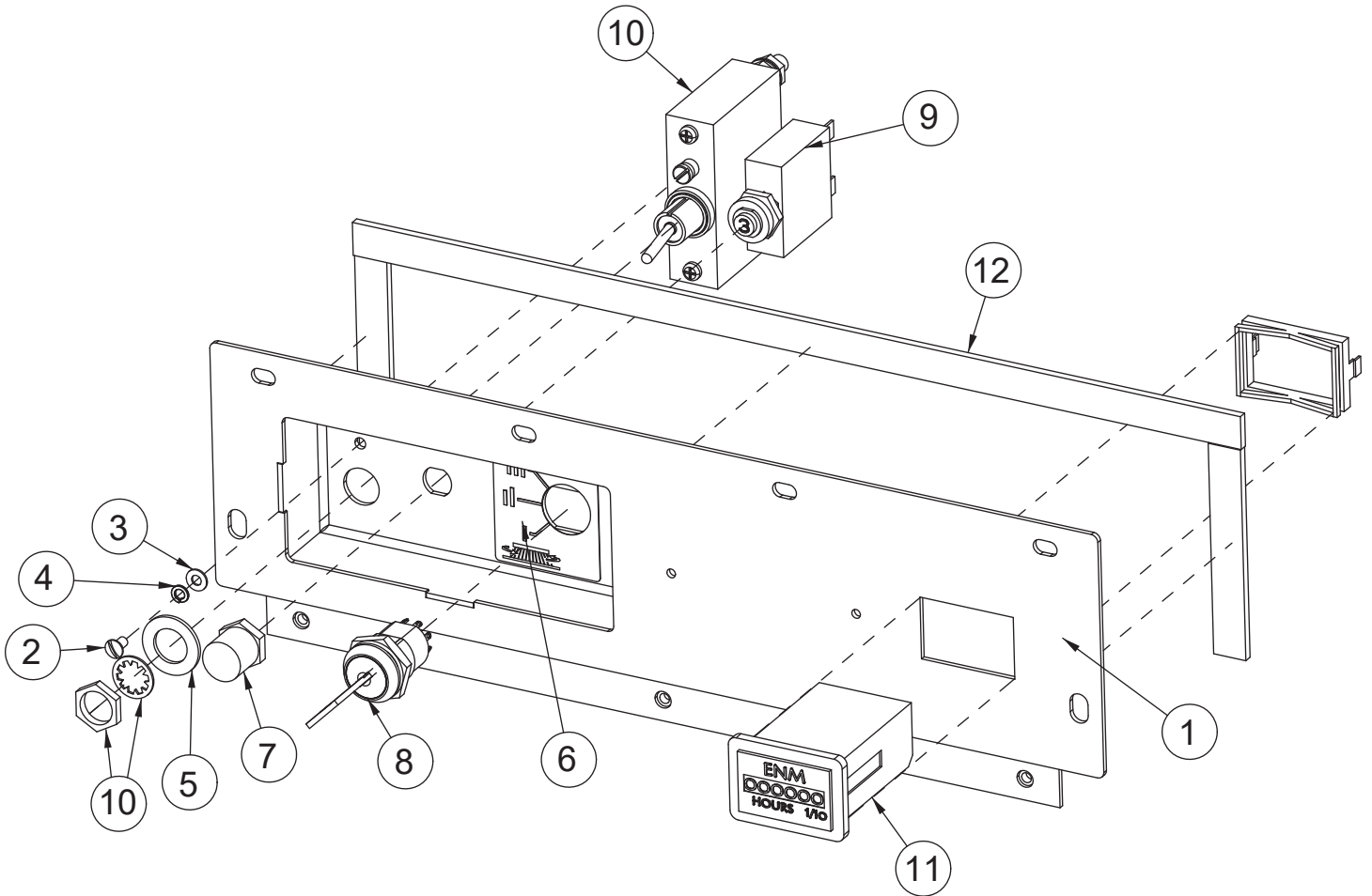
Electrical Box Assembly



Electrical Box Assembly BOM

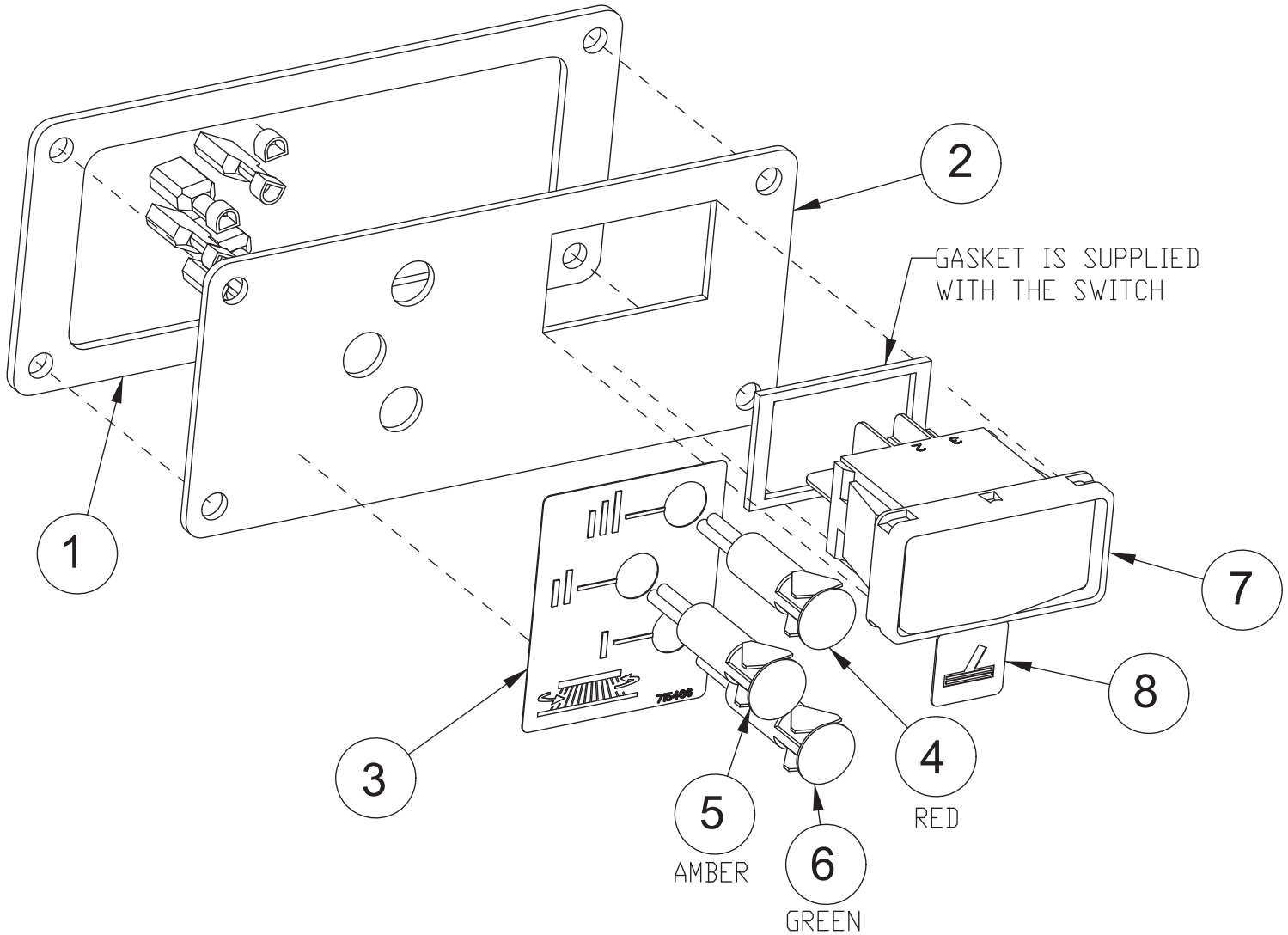
BILL OF MATERIAL - 241763M			
ITEM	PART NO.	QTY	DESCRIPTION
1	241248	1	BRACKET - ELECTRICAL BOX, SCV 2426
2	241249	1	ELECTRICAL BOX WELDMENT - B100R / E RIDE 26
3	241314	1	ELECTRICAL PANEL DOOR, SCV 2426
4	241698	1	ASSY, CONTROL PANEL, BRKR & KEY SWITCH
5	711304	1	NUT-HEX 8-32 ST PL
6	711372	4	NUT-NYLOC 8-32 STL ZINC
7	711425	4	NUT - HEX 1/4-20, WHIZ NUT
8	711502	2	WSR-FLT .170 x.38 x.032 STL ZINC
9	711542	1	WSR-HELICAL #8
10	711552	1	WSR - INTERNAL LOCK #8
11	712638	2	NUT, HEX 10-24 SS NYLOC
12	712764	12	WSR #10 SS
13	712822	12	SCR-MC TR HD 10-24 X .50 SS
14	743646	1	TERMINAL BLOCK, FS-05 EAGLE, 4-8-8
15	748152	1	SWITCH, ON-OFF-ON, SCV2832
16	748257	1	GROUND STRAP, SCV2426 CONTROL BOX TO FRAME
17	748276	1	JUNCTION BLOCK, 2 STUD 10/24" 30A
18	748720	1	CONTROLLER, TRIO + WET (FLOODED) BAT
19	830557	38	DORTITE 1/2 INCH RM 1 F
20	281449	3	SERRATED GROMMET STRIP, 281449
21	715641-2	1	DECAL, CIRCUIT BREAKER ID
22	748269-1	1	VARISTOR ASY, 39VZASERIES
23	748423M	1	WIRING, ELEC BOX, SPORT , E-RIDE 2426 (NOT SHOWN)

Electrical Panel Assembly
Control Panel Subassembly



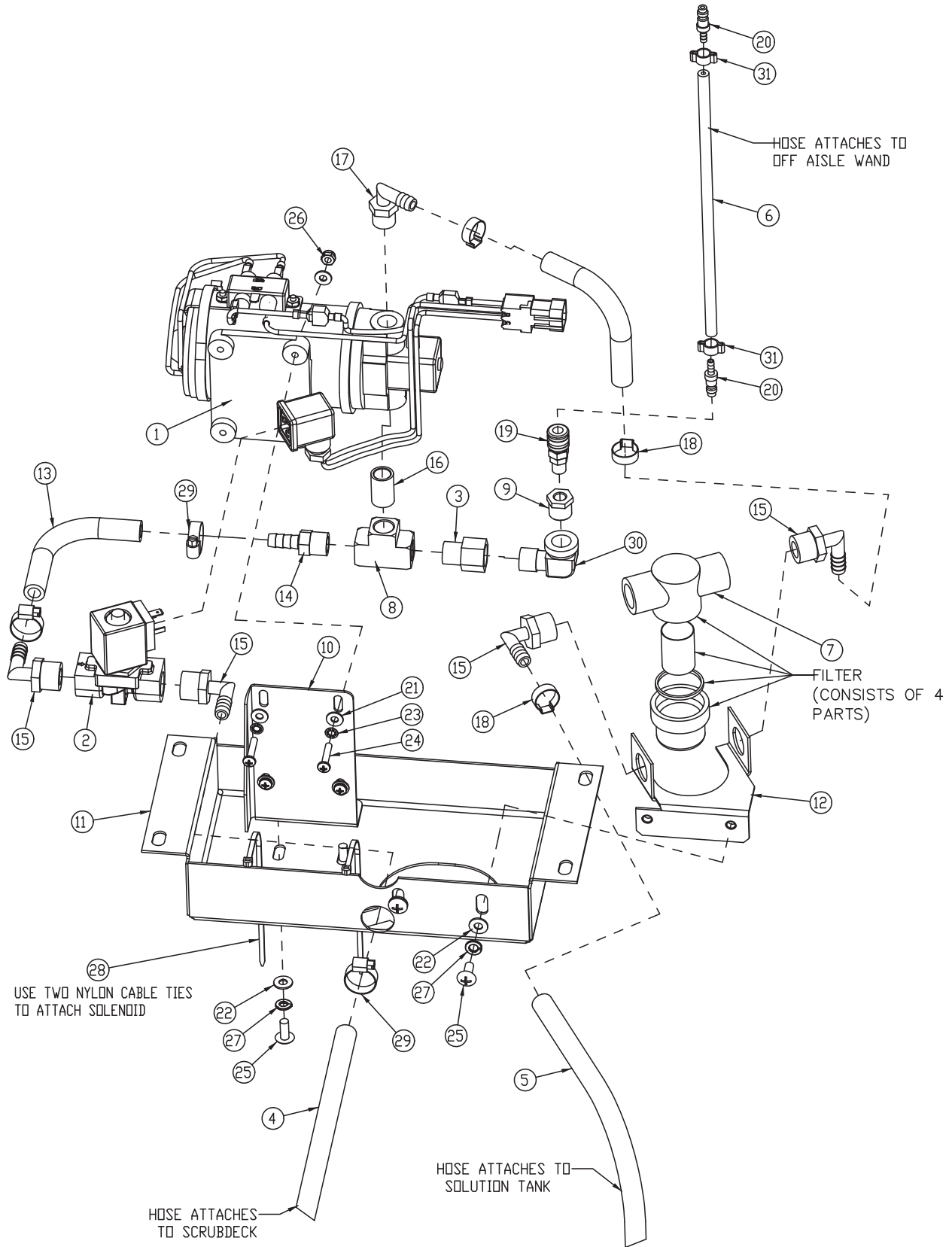
BILL OF MATERIAL - 241698			
ITEM	PART NO.	QTY	DESCRIPTION
1	241694	1	CONTROL PANEL, WELD, BRKR & KEYSWITCH
2	710202	1	SCR-MC 6-32 X .25 ST PL PAN HD
3	711501	1	WSR-FLT # 6
4	711541	1	WSR-HELICAL #6 ST PL
5	712310	1	WSR-FLT .52 X .87 X .06 PL
6	715465	1	DECAL, DISK SPEED, KEY-SWIT CH
7	742748	1	CIRCUIT BREAKER BOOT
8	742928	1	SWITCH-KEY, 3-POS, PANEL MTG, STD TERMINAL
9	746006	1	CIRCUIT BREAKER - 3A
10	748012	1	CIRCUIT BREAKER - 100A
11	748203	1	HOUR METER, 10-80VDC ENM-T 41D45
12	830557	1.68	DORTITE 1/2 " RM 1 F

Switch Panel Assembly



BILL OF MATERIAL - 241697			
ITEM	PART NO.	QTY	DESCRIPTION
1	241209	1	GASKET - REAR SWIT CH COVER, SCV 2426
2	241693	1	PLATE, MTG, SWIT CH, 3 LEDS, W GROUND TAB
3	715466	1	DECAL, DISK SPEED, 3 LEDS
4	747030-1	1	LED LIGHT, INDICATOR "RED" W/QC FEMALE
5	747031-1	1	LED LIGHT, INDICAT OR "AMBER" W/QC FEMALE
6	747032-1	1	LED LIGHT, INDICAT OR "GREEN" W/QC FEMALE
7	748310	1	SWIT CH, DPST ON/OFF
8	17267253	1	DECAL, HK OFF AISLE WAND SW "UNIVERSAL" S

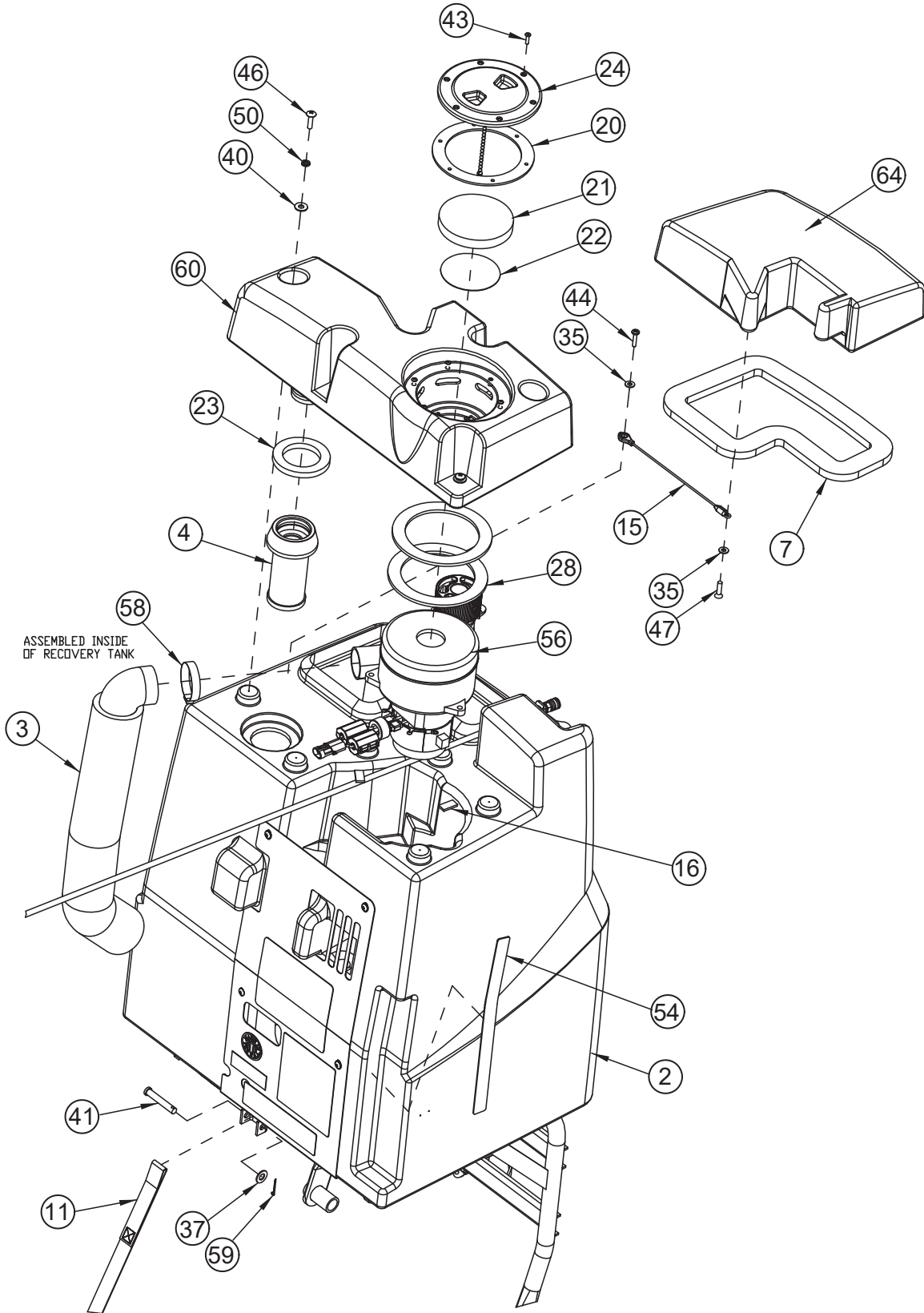
Solution Tank Assembly
Pump Subassembly



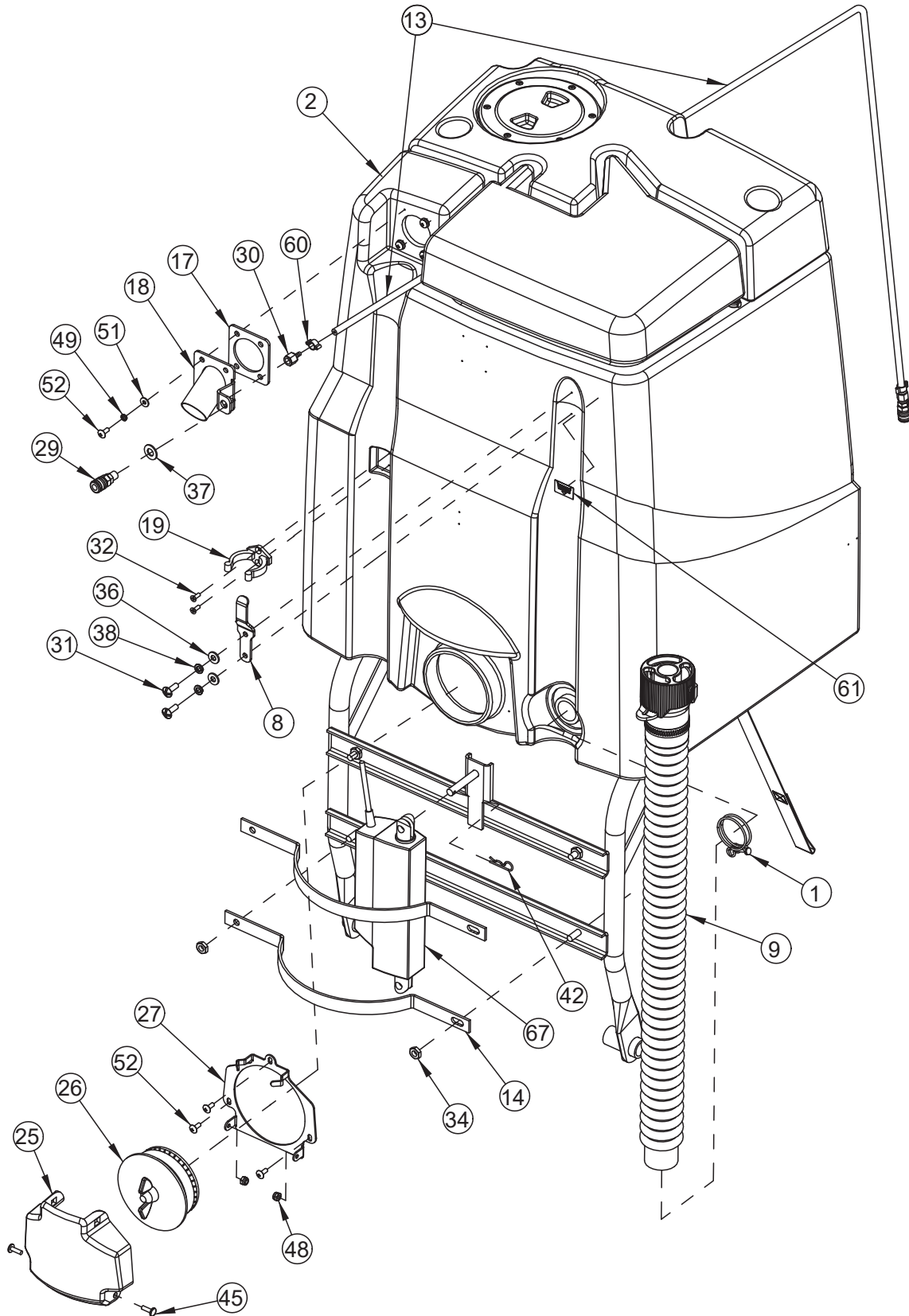
Solution Tank Assembly
Pump Subassembly BOM

BILL OF MATERIAL - 241098			
ITEM	PART NO.	QTY	DESCRIPTION
1	742709-5	1	PUMP ASSEMBLY- ER26
2	748390	1	SOLENOID, 36VDC VITON DIN43650
3	210409	1	FITTING-3/8MPT 3/8FPT BRASS
4	241096	1	HOSE 3/8 X 45" WIRE REINFORCED, SCV 24/26
5	241097	1	HOSE 3/8 X 31" WIRE REINF, SCV 24/26
6	241430	1	HOSE-NYLO REINF 1/8 X 42"
7	281089	1	FILTER, IN-LINE
8	281090	1	FITTING BRASS 3/8" FPT TEE
9	281091	1	FITTING 3/8MPTx1/8 FPT REDUCER
10	281368	1	PUMP MOUNT PLATE
11	281369	1	PUMP SUPPORT PLAT E
12	281388	1	FILTER MTG PLATE
13	320254	2	HOSE-WIRE REINF 3/8 X 9"
14	342430	1	FITTING BRASS 3/8MPT X 3/8BARB
15	383327	4	ELBOW 1/2 MPT X 3/8 BARB
16	383332	1	FITTING BRASS 3/8 NIPPLE
17	450040	1	FITTING-90 3/8MPT X 3/8 BARB NYLON
18	450076	3	CLAMP-CRIMP 185R SS
19	450221	1	COUPLER-QUICK CONNECT
20	450279	2	Q.C. COUPLING NIPPLE (MALE X 1/8 BARB)
21	711503	8	WSR, FLAT #10
22	711504	4	WSR-FLAT 1/4 ID SS
23	711553	4	WSR-INTERNAL LOCK #10
24	712531	4	SCR-MC 10-24 X 1.00 SS
25	712565	4	SCR-MC 1/4-20 X .63 SS TR HD
26	712638	4	NUT, HEX 10-24 SS NYLOC
27	712758	4	WSR-HELICAL 1/4 SS
28	828062	2	CABLE TIE LARGE
29	829129	3	CLAMP-HOSE, WORM-DRIVE FOR 8-22MM HOSE DIA.
30	830062	1	FITTING-90 3/8MPT 3/8FPT BRASS
31	830082	2	CLAMP HOSE 3/8
32	829552	0.040	SEAL - THREAD L567-47/LH150 (NOT SHOWN)
33	000730	0.005	TAPE-TEFLON PIPE 1/2" (NOT SHOW)

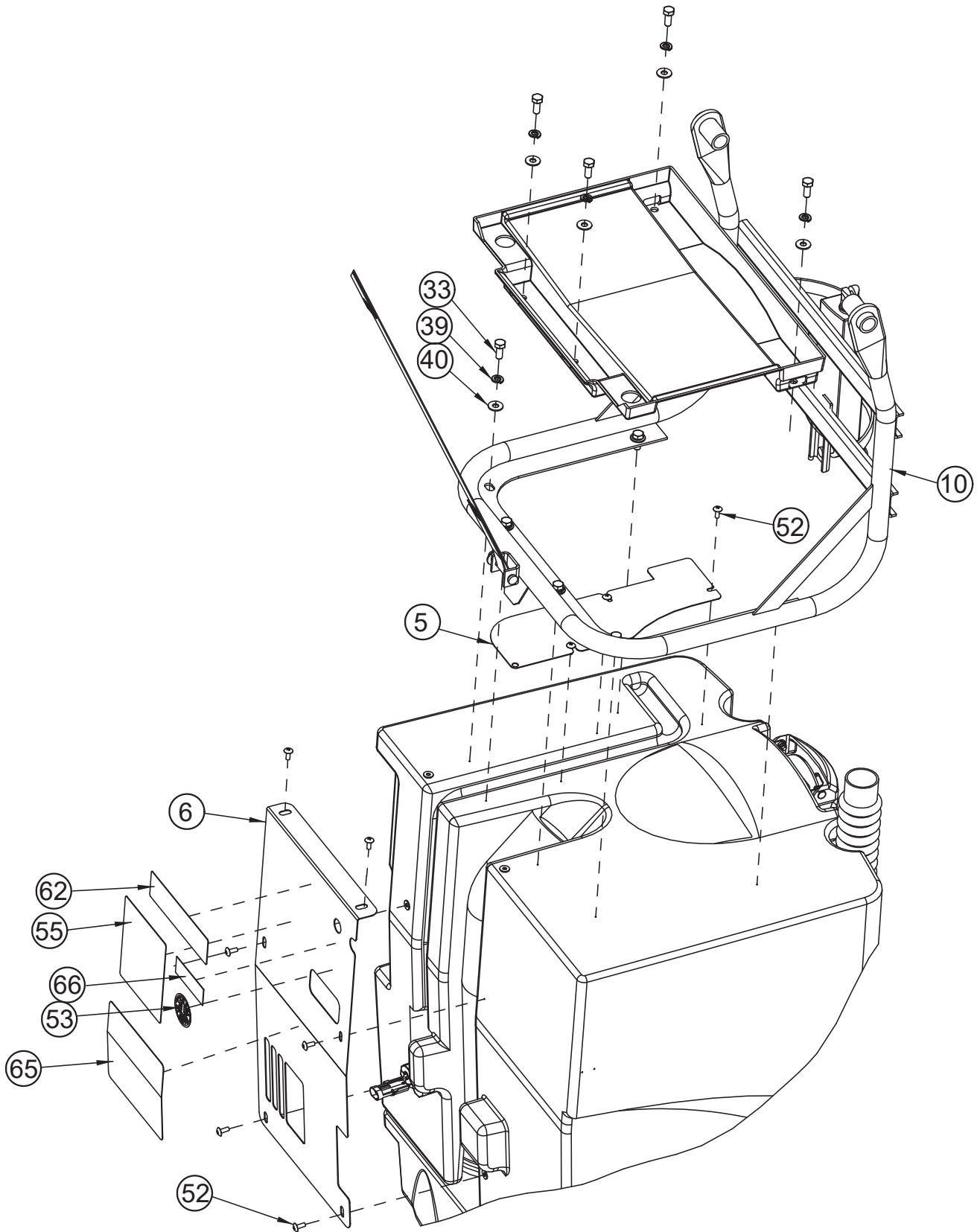
Recovery Tank Assembly
 Recovery Tank Assembly I



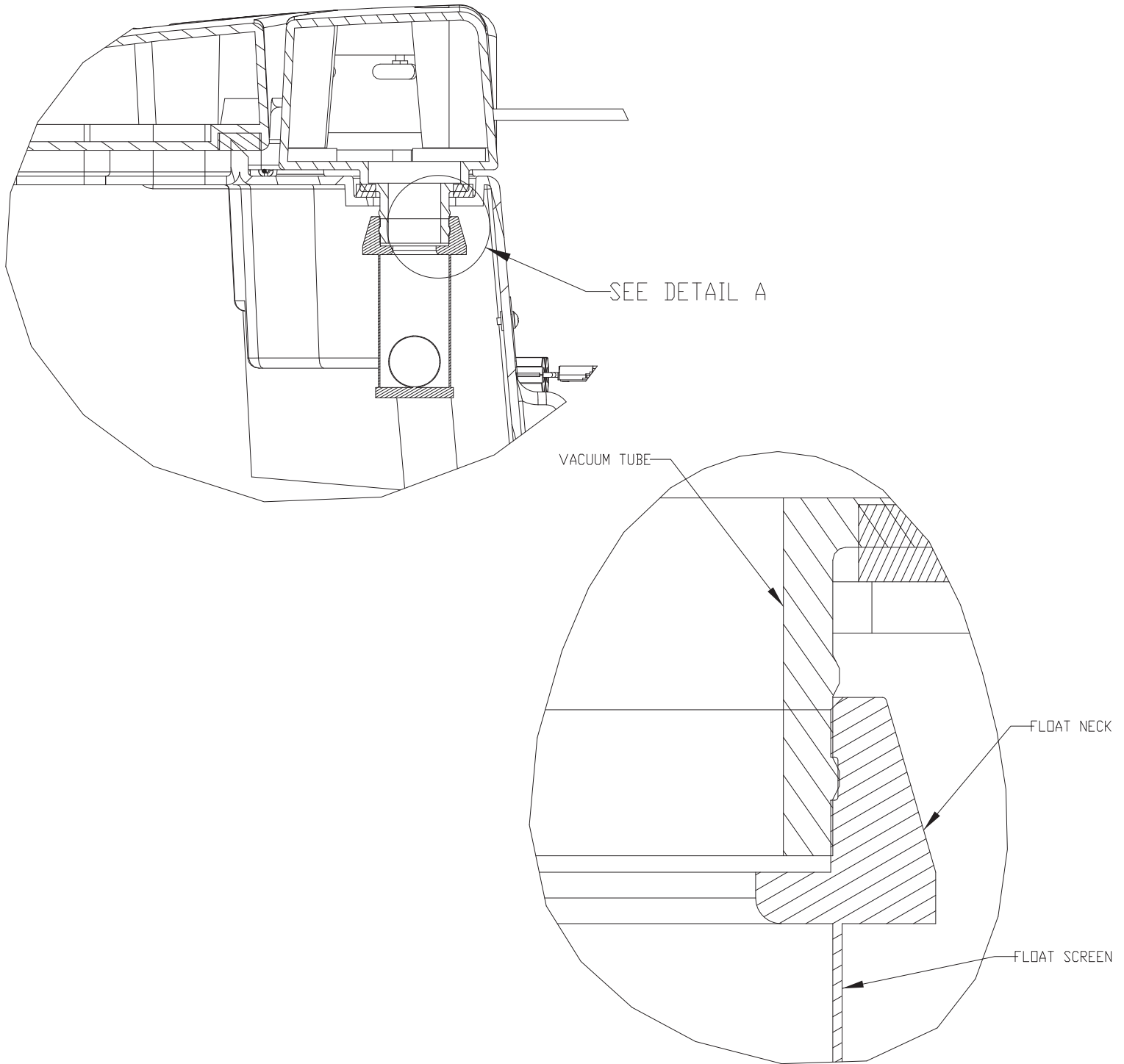
Recovery Tank Assembly II



Recovery Tank Assembly III



SCREENED FLOAT ATTACHMENT

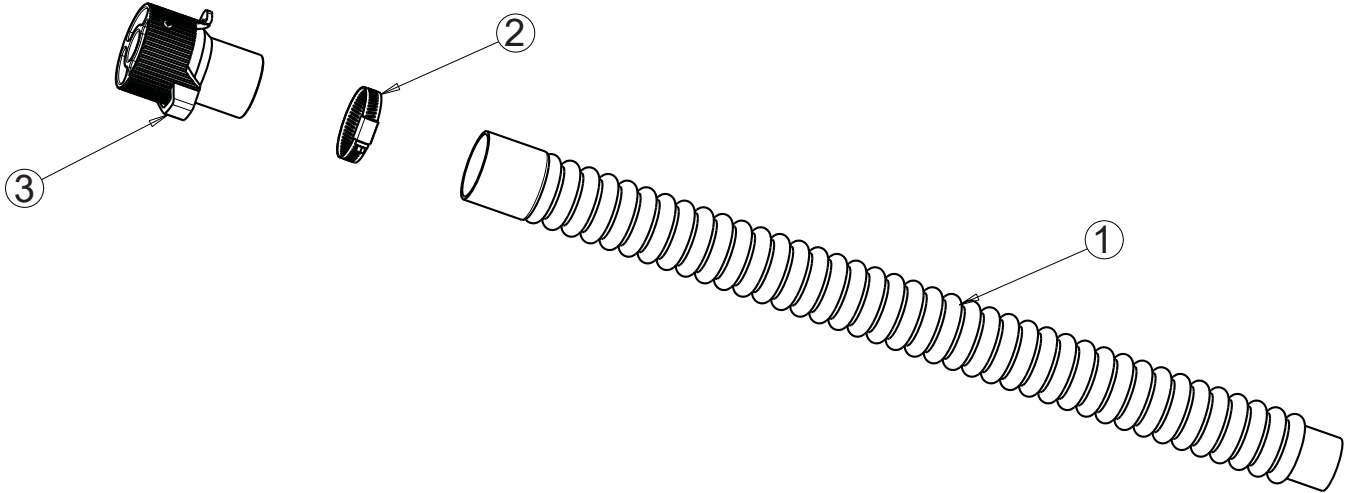


GROOVE IN FLOAT NECK SHOULD FIT AROUND
THE VACUUM TUBE LOWER PROTRUSION.

DETAIL A

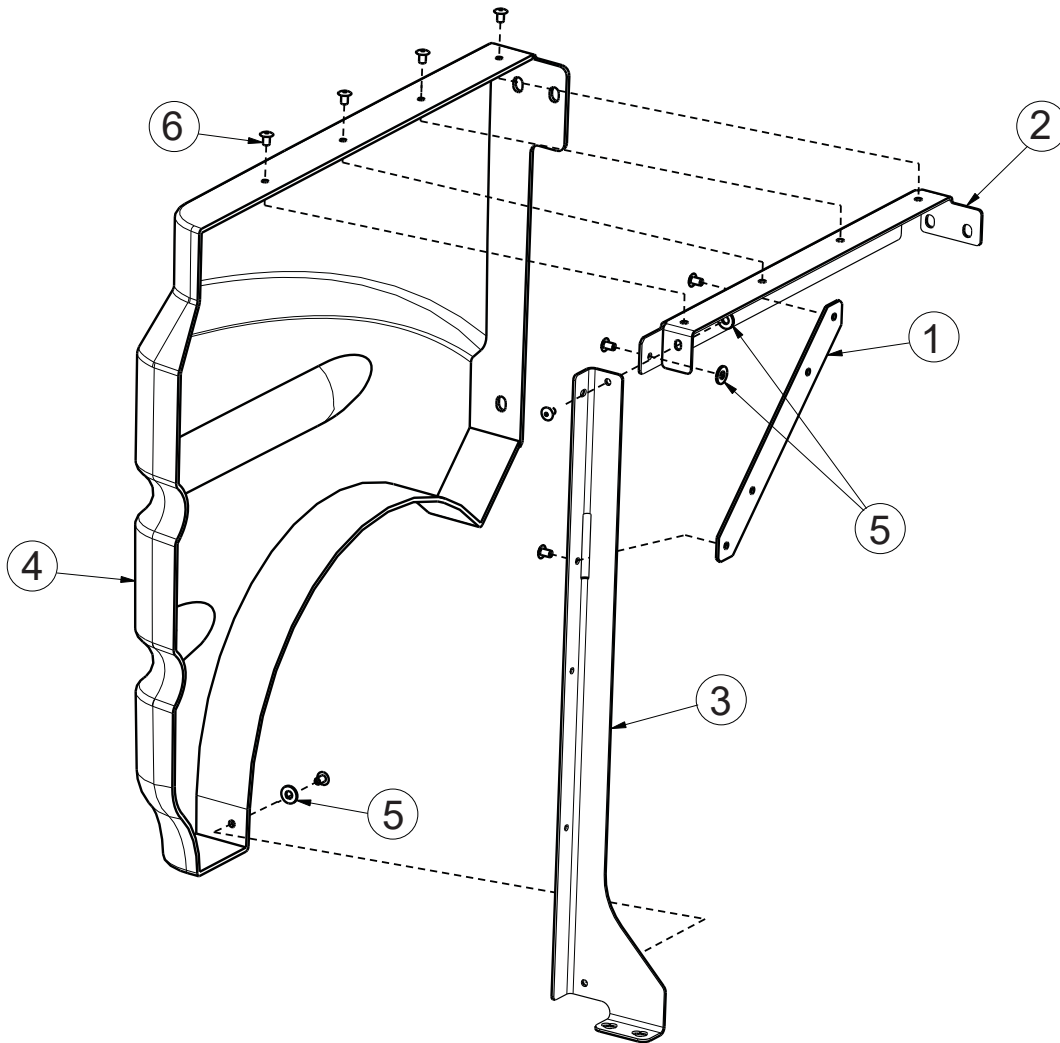
BILL OF MATERIAL - 241013M

ITEM	PART #	QTY	DESCRIPTION	ITEM	PART #	QTY	DESCRIPTION
1	172329	1	CLAMP-HOSE 1.56"	35	711504	2	WSR-FLT 1/4 ID SS
2	241003	1	RECOVERY TANK	36	711505	2	1/4 FLAT WASHER, STEEL
3	241049	1	VAC MOTOR MUFFLER	37	711515	2	WSR-FLAT .406 X .812 X .0625
4	241060	1	FLOAT, SCREENED W/ BALL	38	711544	2	WSR-HELICAL 1/4
5	241076	1	VAC WIRE COVER	39	711545	6	WSR-HELICAL 5/16
6	241099	1	EXHAUST/VAC WIRE COVER	40	711575	12	WSR-FLT .31 X .75 X .06 ST
7	241193	1	REMOVABLE LID GASKET	41	711678	1	PIN-CLEVIS 3/8 X 2-1/4
8	241235	1	BRKT RECOVERY DRAIN HOSE	42	711808	1	COTTER PIN-HAIR # 13
9	241243	1	DUMP HOSE ASSY	43	712516	6	SCR-BHCS # 8-32 X .62 SS
10	241362	1	RECOV. TANK FRAME WLDMT	44	712532	1	SCR-MC PHD, 10-24 X 1.00 SS
11	241420	1	EXHAUST DIVERTER	45	712536	2	SCR-MC 10-24 X .62 SS TR HD
12	241433	1	RECOV. TANK SAFETY STRAP	46	712541	6	SCR-MC 1/4-20 X 1.0 TH SS
13	241435	1	REC. TANK SOL. FEED HOSE	47	712563	1	SCR-MC 1/4-20 X 1.00 F.H. SS
14	241519	2	ACTUATOR PROTECTOR BKT	48	712638	2	NUT, HEX 10-24 SS NYLOC
15	241704	1	ASSY, LANYARD, RECOV. TANK	49	712757	4	WSR-HELICAL # 10 SS
16	241748	3	ISOLATOR PAD - 1" LENGTH,	50	712758	6	WSR-HELICAL 1/4 SS
17	241803	1	INLET WELDMENT GASKET	51	712764	4	WSR # 10 SS
18	241805	1	REC TANK VAC INLET PIPE WELDMENT	52	712822	16	SCR-MC TR HD 10-24 X .50 SS TR
19	260579	1	TOOL CLIP, 1.5" HOSE	53	715501	1	DECAL - MADE IN THE U.S.A.
20	281018	1	GASKET, NEOPRENE	54	715717	1	DECAL-OVERFILL SIGHT GAUGE
21	281055	1	VAC MOTOR FILTER	55	715908	1	DECAL-DIAGNOSTIC CODES
22	281056	1	VAC MOTOR INLET SCREEN	56	742773	1	VAC MOTOR ASSY
23	281073	1	INLET GASKET	57	748251	1	HARNASS ASY, RECOVERY TANK (NOT SHOWN)
24	281423	1	FILL CAP W/CHAIN ASSY, 4.00	58	760859	1	CLAMP-HOSE
25	320835	1	DUMP CAP COVER	59	809311	1	PIN-COTTER 7/64 X 1
26	320838	1	STOPPER PLUG ASM - 4"	60	830082	2	CLAMP-HOSE 3/8
27	320839	1	DUMP COVER SUPPORT RING	61	17264888	1	DECAL - REC DRAIN HOSE
28	380035	2	MOTOR GASKET	62	17267139	1	DECAL - WARNING
29	450221	2	COUPLER - QUICK CONNECT	63	241006HG	1	RECOVERY TANK FIXED LID
30	450223	2	FTG BRASS - 1/8FPT - 1/8 BARB	64	241007HG	1	RECOV. TANK REMOVABLE LID
31	710180	2	SCR-MC TR HD 1/4-20 X .75 STL ZINC	65	715218-1	1	DECAL-BATTERY HOOKUP
32	710530	2	SCR-MC FL HD 8-32 X .50 BRS	65	715950	1	LABEL - PATENT NUMBERS, SELF-ADHESIVE
33	711228	6	BLT-HH 5/16-18 X .75 ST PL	67	740821-1	1	ACTUATOR ASSEMBLY
34	711420	4	NUT-HEX JAM 5/16-18 ST PL				



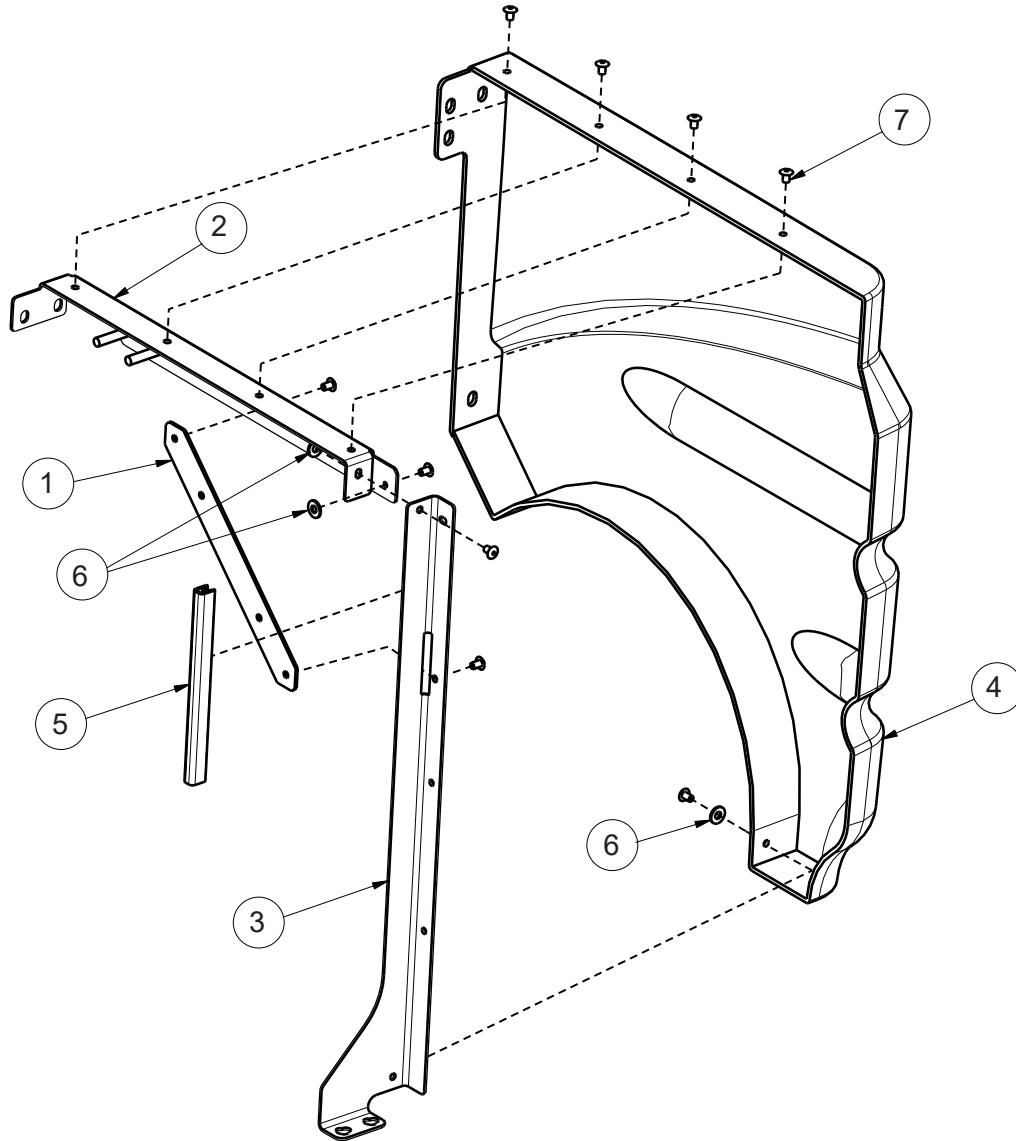
BILL OF MATERIAL - 241243			
ITEM	PART NO.	QTY	DESCRIPTION
1	200355	1	HOSE-DRAIN CONVOLUTED 1.50 X 2.00 X 34"L
2	241363	1	CLAMP-HOSE WORM DRV SAE #28 300 SERIES
3	97103519	1	VALVE-DRAIN HAKO STYLE 1/4 TURN PLASTIC

Battery Panel Assembly
Left Hand Side



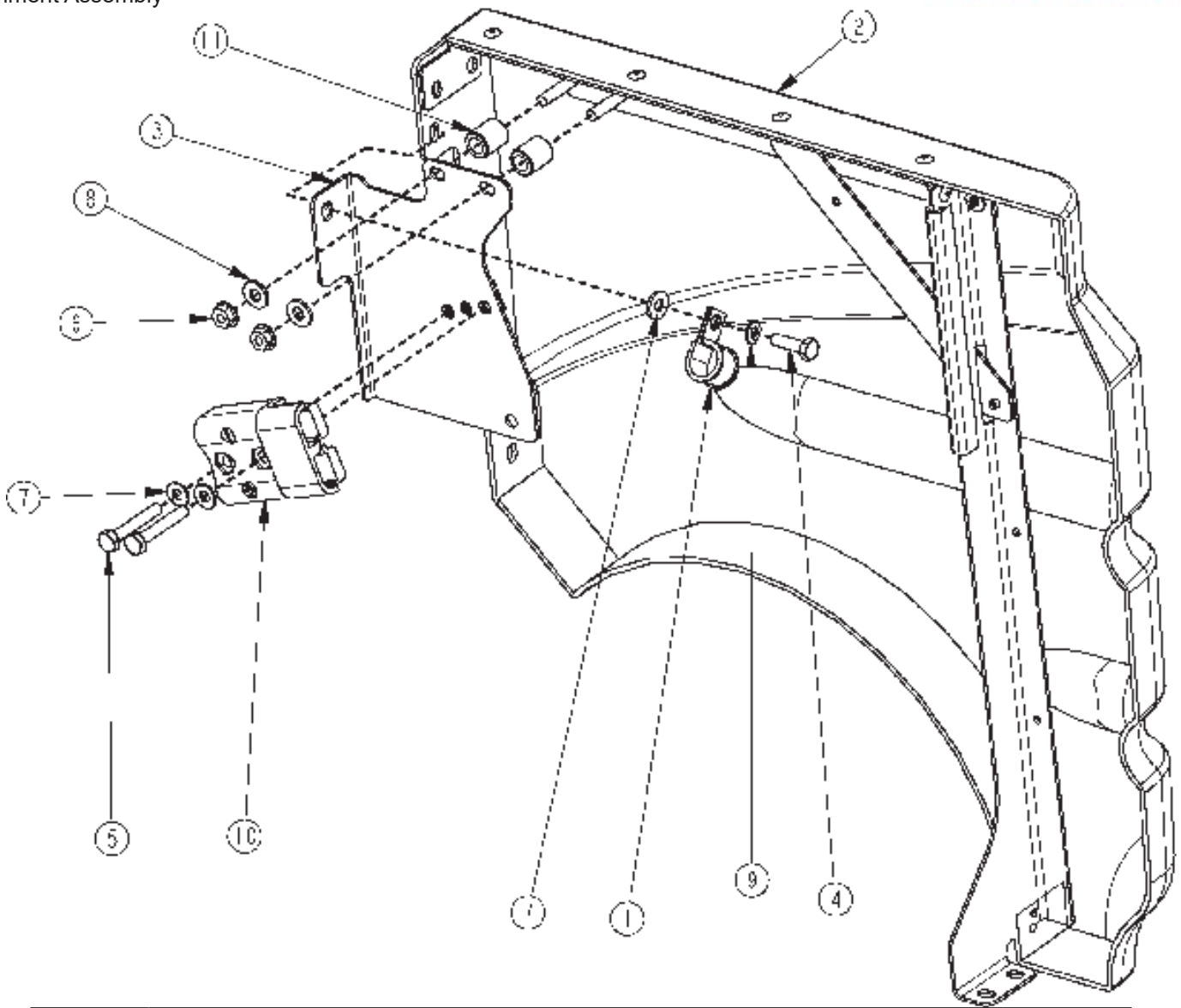
BILL OF MATERIAL - 241218			
ITEM	PART NO.	QTY	DESCRIPTION
1	241187	1	DIAGONAL BRACE - SIDE COVER
2	241188	1	BRACKET - BATTERY COVER, LH
3	241189	1	BRACE (VERTICAL) - SIDE PANEL FRAME, LEFT
4	241228	1	LH BATTERY PANEL
5	711503	3	WSR, FLAT#10
6	711903	9	RIVET-POP 3/16"

Battery Panel Assembly
Right Hand Side



BILL OF MATERIAL - 241219			
ITEM	PART NO.	QTY	DESCRIPTION
1	241187	1	DIAGONAL BRACE - SIDE COVER
2	241190	1	BRACKET - SIDE COVER, RH
3	241191	1	BRACE (VERTICAL) - SIDE PANEL FRAME, RIGHT
4	241229	1	RH BATTERY PANEL
5	241415	1	EDGE TRIM - VINYL, BLACK, 6" LENGTH
6	711503	3	WSR, FLAT#10
7	711903	9	RIVET-POP 3/16"

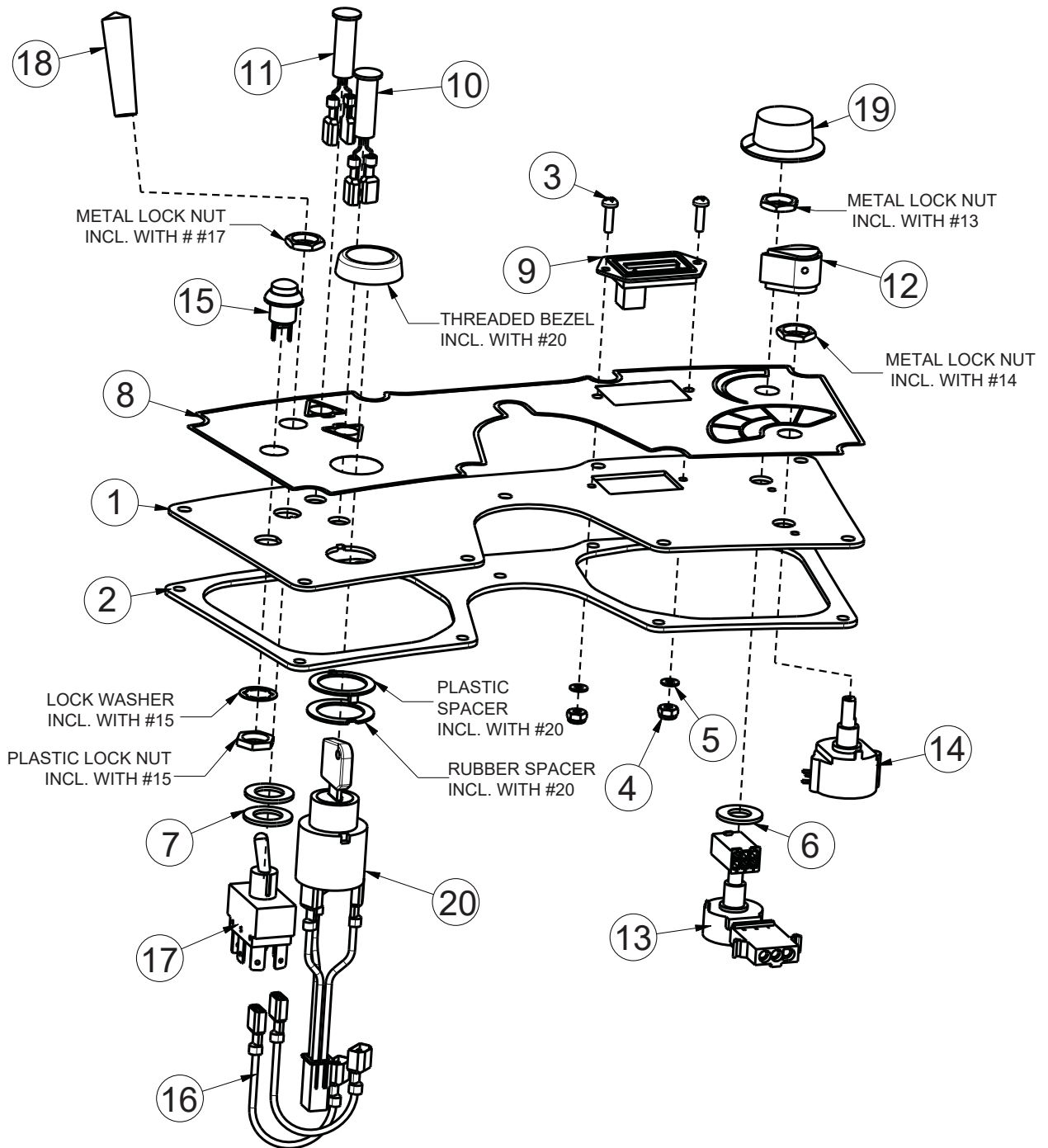
Attachment Assembly



BILL OF MATERIAL - 241219

ITEM	PART NO.	QTY	DESCRIPTION
1	82-54-A	1	CLAMP, MS21333-114
2	241219	1	BATTERY COVER ASSEMBLY RH, SCV 2426
3	241371	1	BRACKET - BATTERY CONNECTOR, SCV 2426
4	711206	1	BLT-HH 1/4-20 X .87 STL ZINC
5	711213	2	BLT - HH 1/4-20 X 1.62
6	711425	2	NUT, HEX 1/4-20 WIZNUT
7	711504	2	WSR-FLAT 1/4 ID SS
8	711505	3	WSR-FLAT 1/4 ID SS
9	711544	1	WSR-HELICAL 1/4
10	740147	1	CB 175 GRAY HOUSING
11	840118	2	BUSHING - 3/8 ID X .625 OD X .75 L, STEEL, ZINC PL

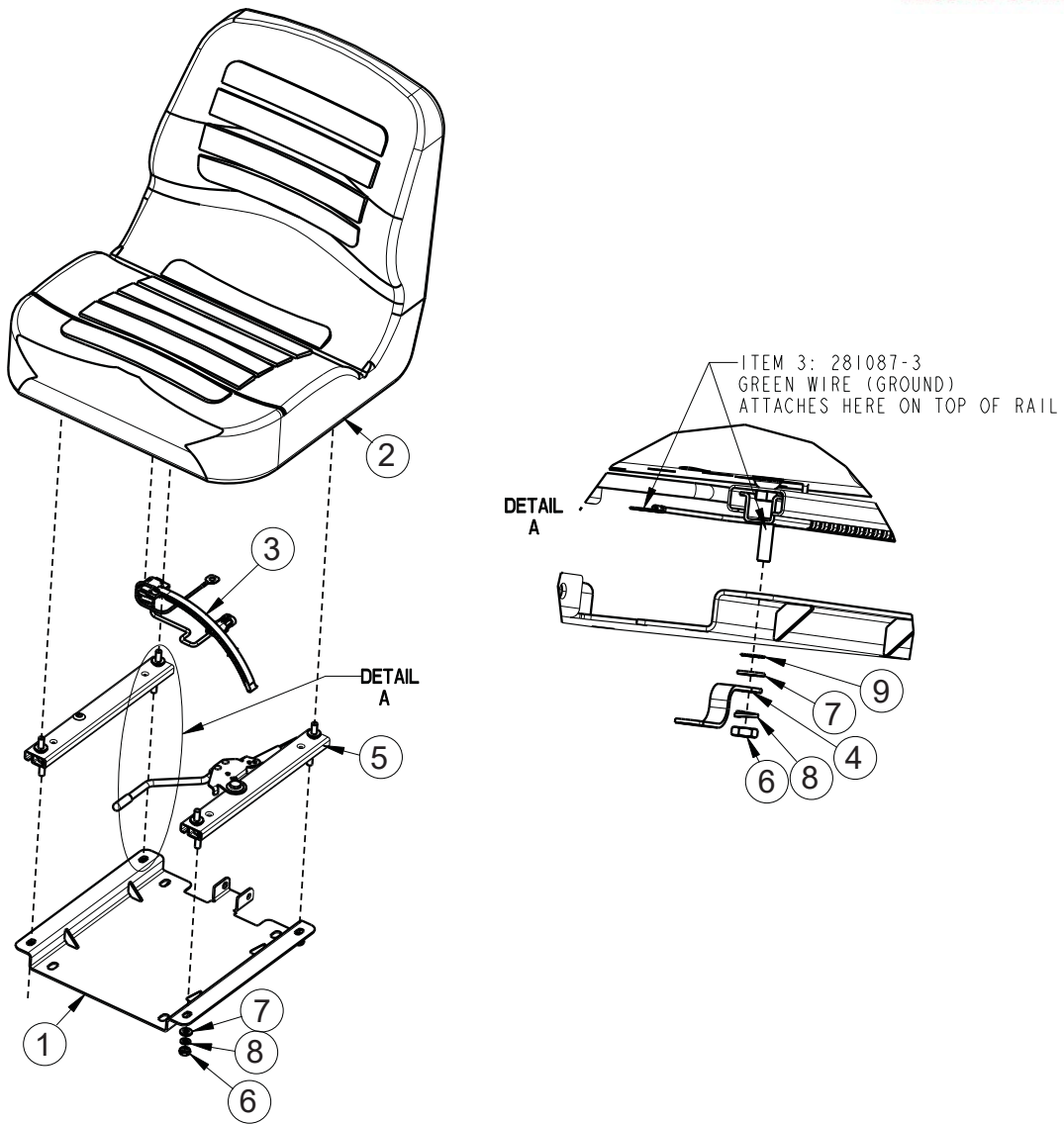
Dashboard Assembly



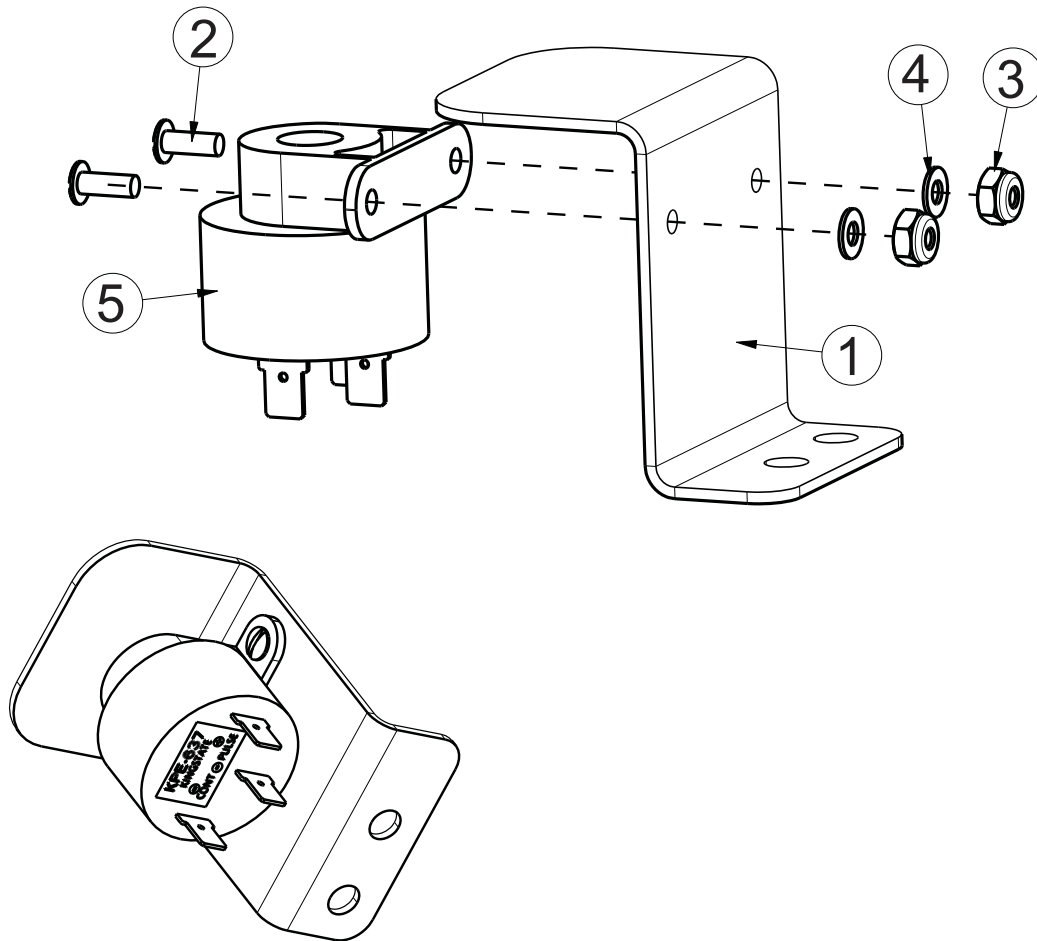
Dashboard Assembly BOM

BILL OF MATERIAL - 241221			
ITEM	PART NO.	QTY	DESCRIPTION
1	241176	1	DASH PANEL
2	241211	1	GASKET - DASH PANEL
3	710204	2	SCR-MC 6-32 X .50 ST PL PAN HD
4	711371	2	NUT-NYLOC 6-32 STL ZINC
5	711501	2	WSR-FLAT # 6
6	711515	1	WSR-FLAT .406 X .812 X .0625
7	712310	2	WSR- FLAT .52 X .87 X .06 PL
8	715640	1	DECAL, DASHBOARD
9	747011	1	BATTERYGAUGE, TRUCHARGE
10	747016-1	1	LED ASSY, RED 36VDC W/FEMALE QC
11	747017-1	1	LED ASSY, AMBER 36VDC W/FEMALE QC
12	747020	1	KNOB-MODE SELECTOR
13	747025	1	POTENTIOMETER ASSY WATER FLOW
14	747027	1	SWITCH ASSY, MODE SELECTOR
15	748047	1	SWITCH, PUSH BUTTON (HORN SCV 36V)
16	748259	2	WIRE ASY, 18G RED/VIOLET 2"
17	748286	1	SWITCH - TOGGLE, 2 POS ON/ON
18	748301	1	TOGGLE HANDLE EXTENSION
19	809874	1	KNOB, SPEED CONTROL
20	90323437-1	1	KEYSWITCH ASY, SWITCH PLUS WIRES

Seat Assembly

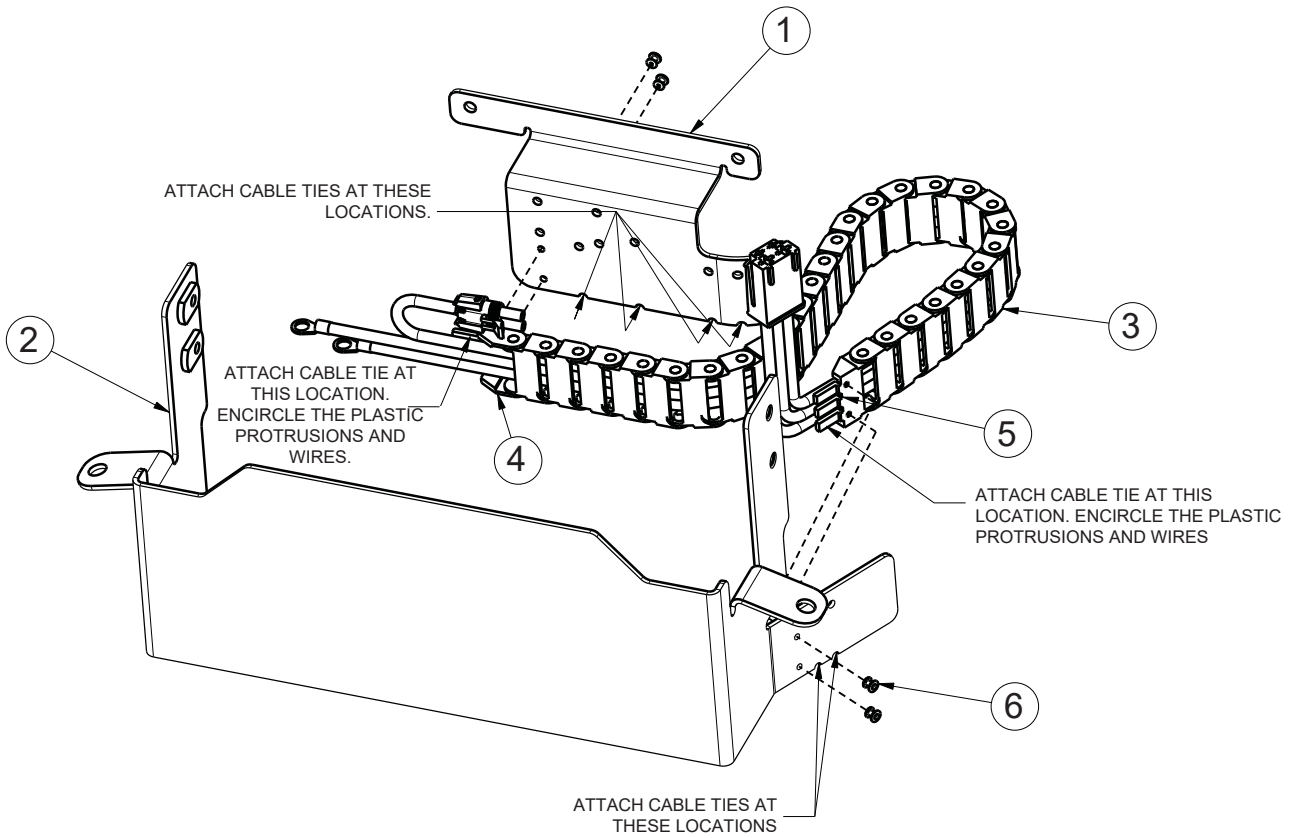


BILL OF MATERIAL - 241365-1			
ITEM	PART NO.	QTY	DESCRIPTION
1	241376	1	SEAT BRACKET WMT
2	281085	1	ASSY SEAT, SUPER SUBURBAN
3	281087-3	1	SEAT SWITCH ASSY, W/PACK
4	748255	1	SEAT GROUND STRAP
5	281086	1	SLIDE ASSY KIT
6	711319	4	5/16-18 HEX NUT
7	711506	4	WSR-FLT .344 X .690 X .062 STL Z
8	711545	4	WSR-HELICAL 5/16
9	711565	1	WSR-EXTERNAL LOCK 5/16



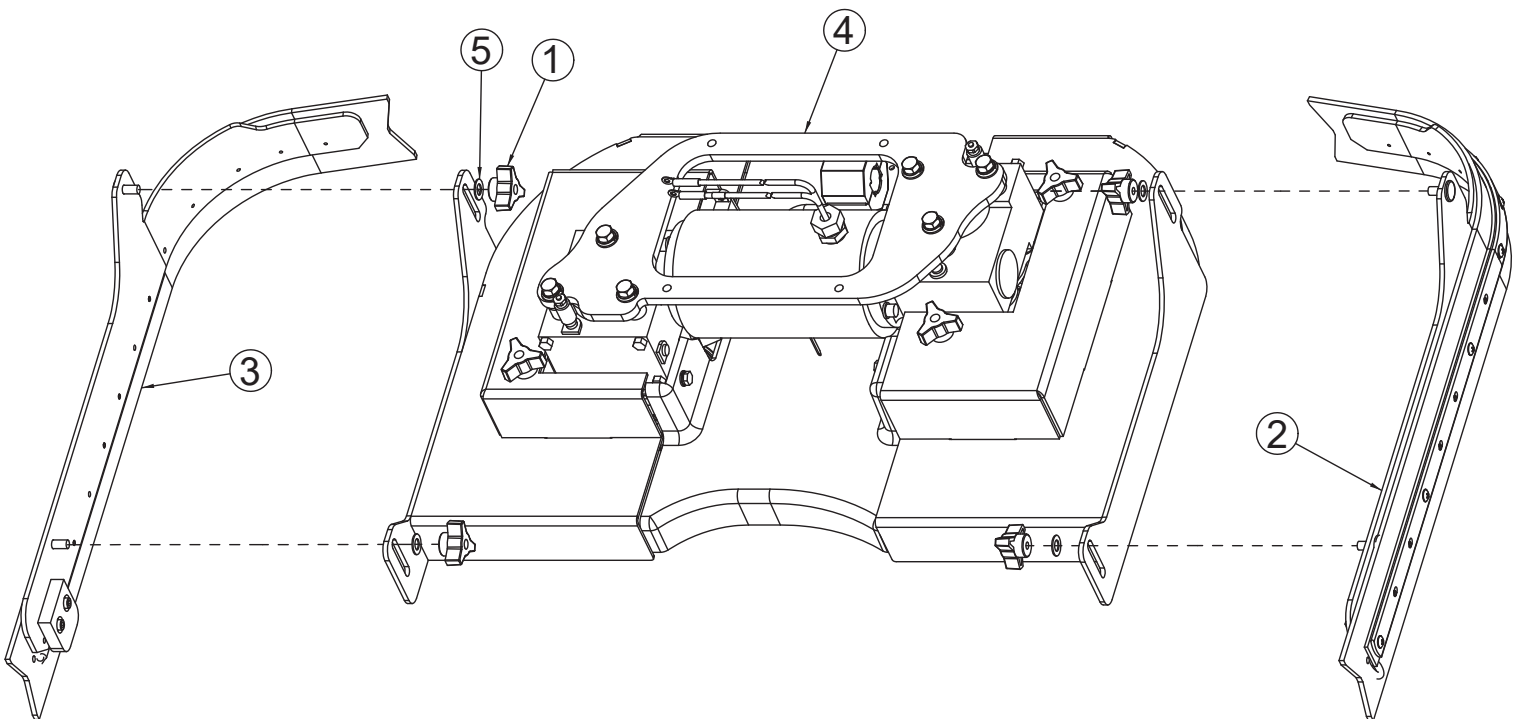
BILL OF MATERIAL - 241258			
ITEM	PART NO.	QTY	DESCRIPTION
1	241254	1	HORN BRACKET, SCV 2426
2	710203	2	SCR-MC 6-32 X .37 ST PL PAN HD
3	711371	2	NUT-NYLOC 6-32 STL ZINC
4	711501	2	WSR-FLAT # 6
5	748200	1	HORN / BACK UP ALARM, 9-48 VDC

Cable Guide Assembly



BILL OF MATERIAL - 748214			
ITEM	PART NO.	QTY	DESCRIPTION
1	241399	1	BRACKET-FRONT DRVMTR CABLE E RIDE 2426
2	241567	1	BRACKET - FRONT LOWER WIRE SUPPORT
3	748218	1	WIRE HARNESS, DRIVE MOTOR E-RIDE/B100R
4	748219-2	1	CABLE GUIDE, MOUNT BRACKET- BORE
5	748219-3	1	CABLE GUIDE, MOUNT BRACKET- PIN
6	827666	4	RIVET-POP 1/8 DOME HD, BLK ALUM BODY
7	828062-B	7	CABLE TIE-LARGE (BLACK)

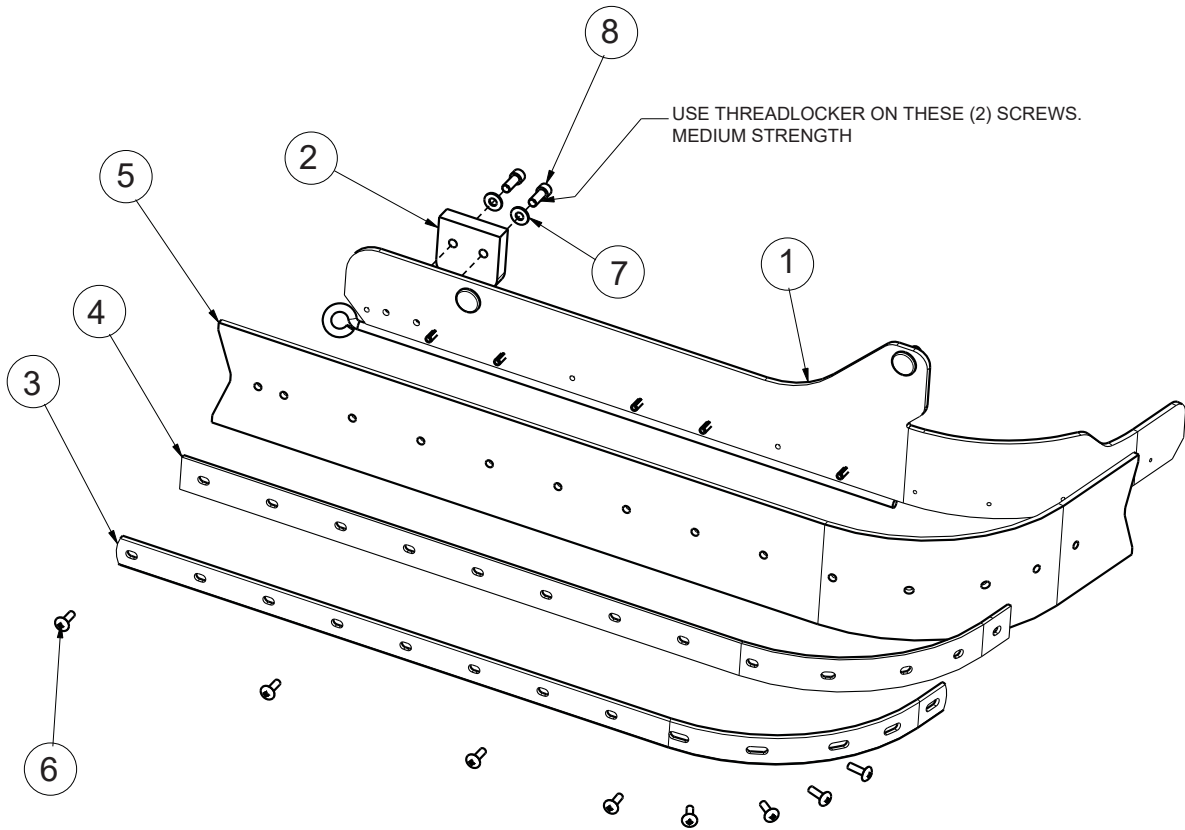
Disc Scrubdeck Main Assembly



BILL OF MATERIAL - 241764			
ITEM	PART NO.	QTY	DESCRIPTION
1	210118	4	KNOB-3 SIDED 5/16 NYLOC
2	241373	1	DISK SIDE SQUEEGEE ASSY - LH
3	241374	1	DISK SIDE SQUEEGEE ASSY - RH
4	241765	1	ASSY, DISC SCRUB DECK, 26", SPORT
5	712767	4	WSR-FLAT .406 X .75 X .035 SS

Disc Scrubdeck

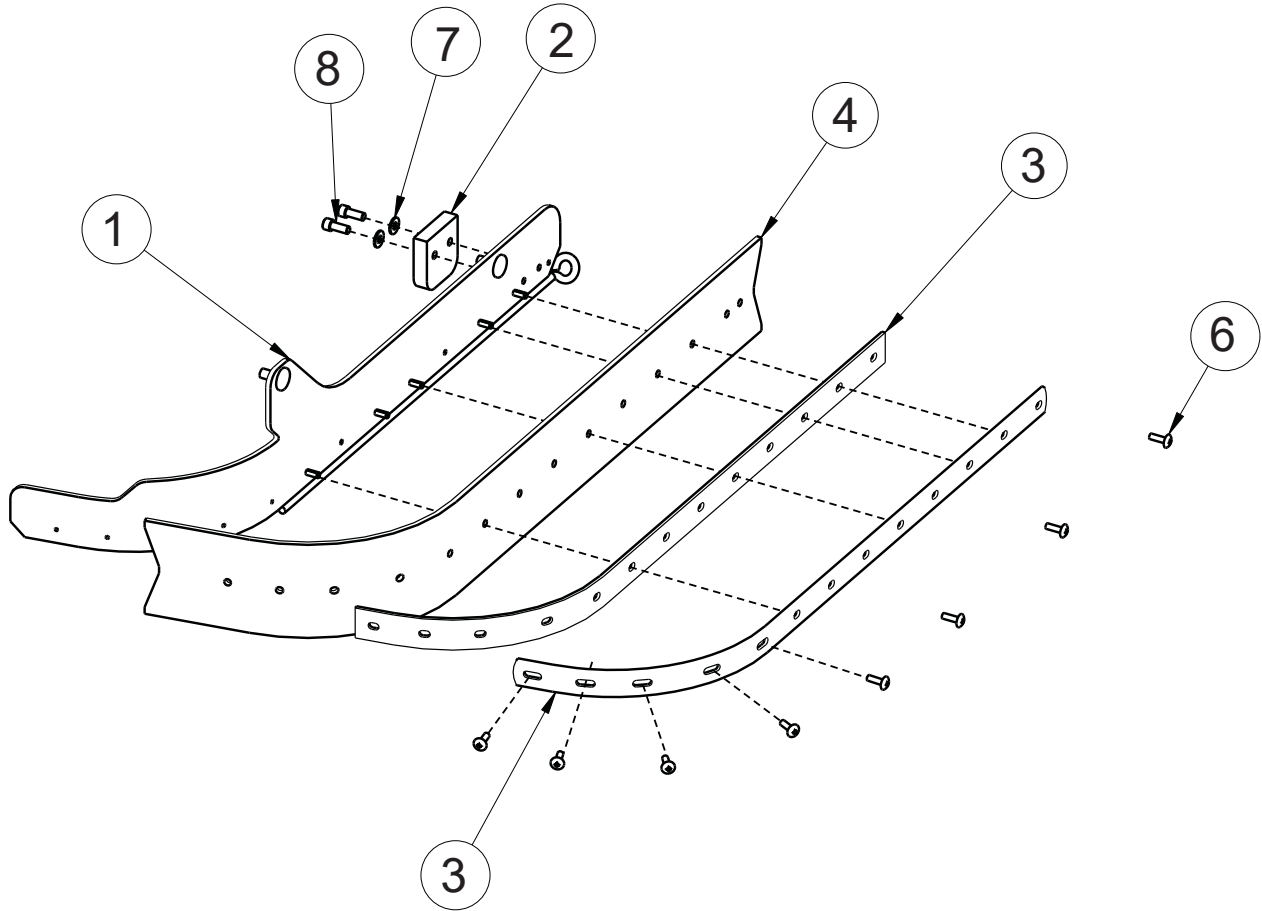
Side Squeegee Subassembly - Left Hand Side



BILL OF MATERIAL - 241373			
ITEM	PART NO.	QTY	DESCRIPTION
1	241380	1	26" DISC DECK SIDE SQASSY W/ PINS LH
2	241396	1	GLIDE BLOCK - SIDE SQUEEGEE ASSY.
3	241418	1	RET STRAP -SIDE SQ 26" E RIDE/B100R
4	281855	1	BACKER BLADE, LONG SCV 2832
5	281859	1	SQUEEGEE- SIDE BLADE LINATEX SCV2832
6	710154	8	SCR-THMS 10-32 X .625 SS
7	711504	2	WASHER-FLAT 1/4 SS
8	712331	2	SCR-SHCS 1/4-20 X .625 SS

Disc Scrubdeck

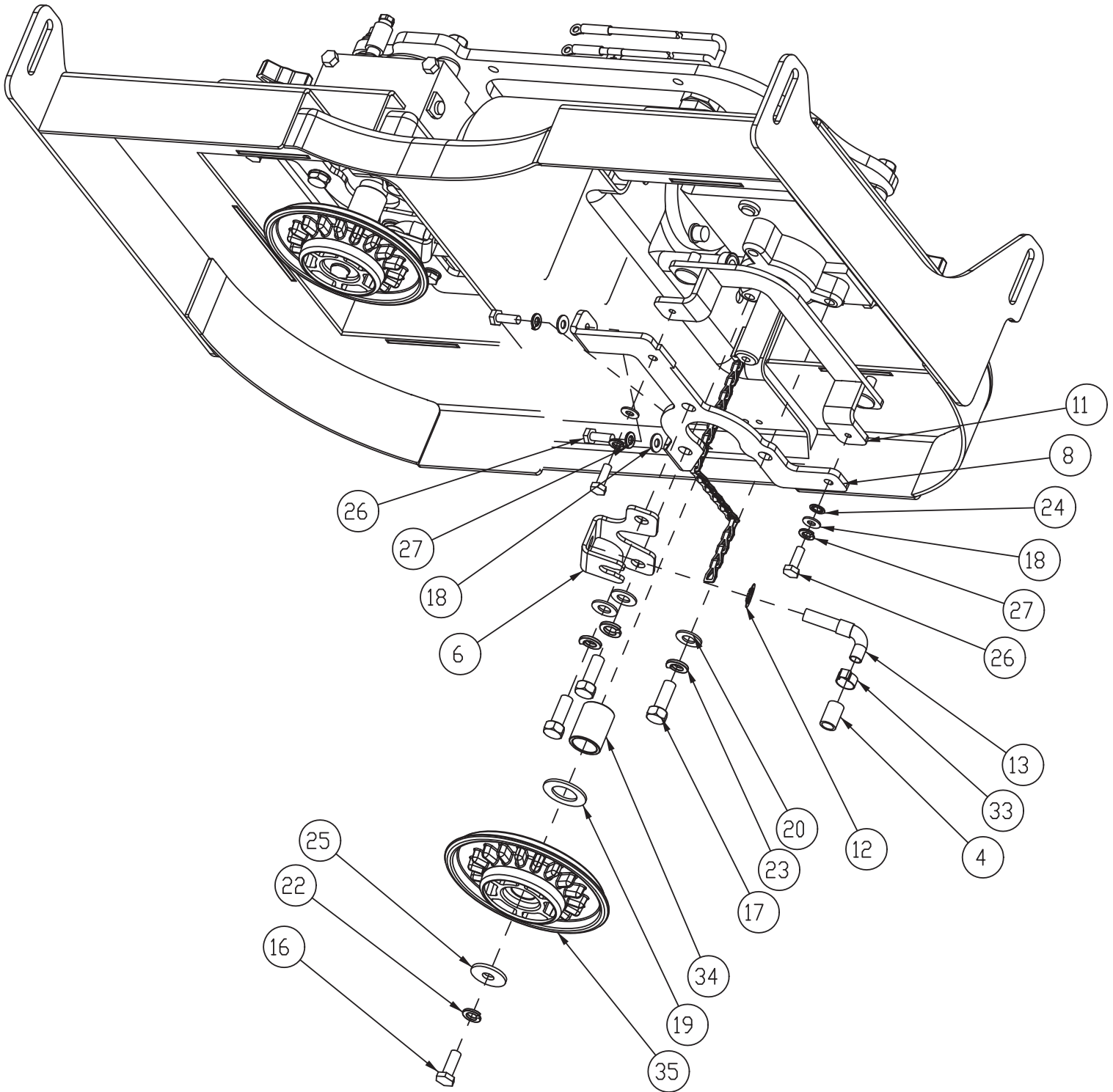
Side Squeegee Subassembly - Right Hand Side



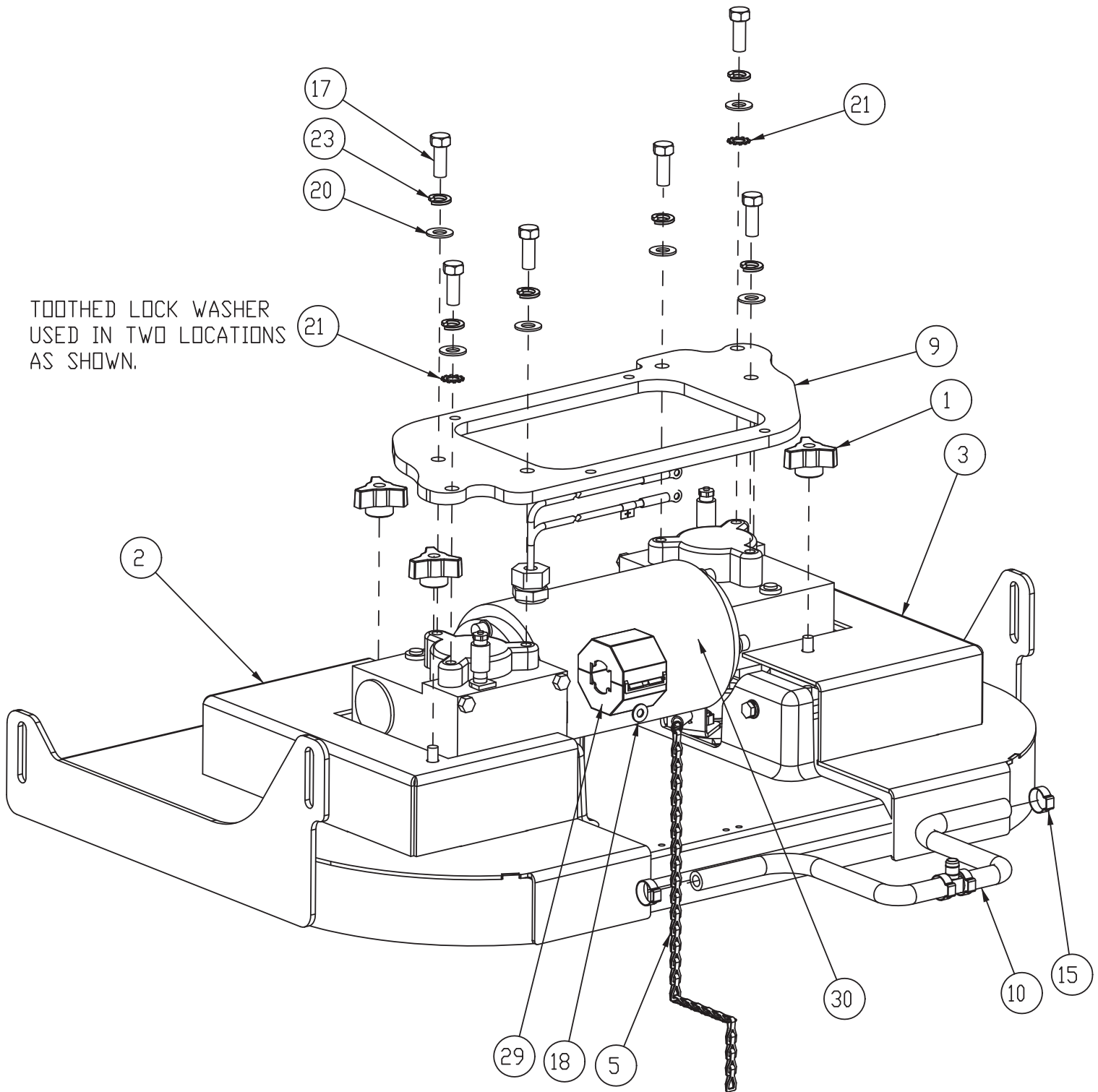
BILL OF MATERIAL - 241374			
ITEM	PART NO.	QTY	DESCRIPTION
1	241381	1	DISK SQUEEGEE BRKT W/ PINS - RH, E RIDE 2426
2	241396	1	GLIDER BLOCK - PLASTIC
3	241418	1	STRAP, SIDE SQ., E RIDE/ B100R
4	281855	1	BACKER BLADE, LONG SCV 2832
5	281859	1	SIDE SQUEEGEE BLADE LINATEX, SCV 2832
6	710154	8	SCR-MC TR HD 10-32 X .625 SS
7	711504	2	WSR-FLAT 1/4 ID SS
8	712331	2	SCREW - HEXAGON SOCKET HEAD CAP, 1/4-20

Disc Scrubdeck Subassemblies

Disc Scrubdeck Subassembly I

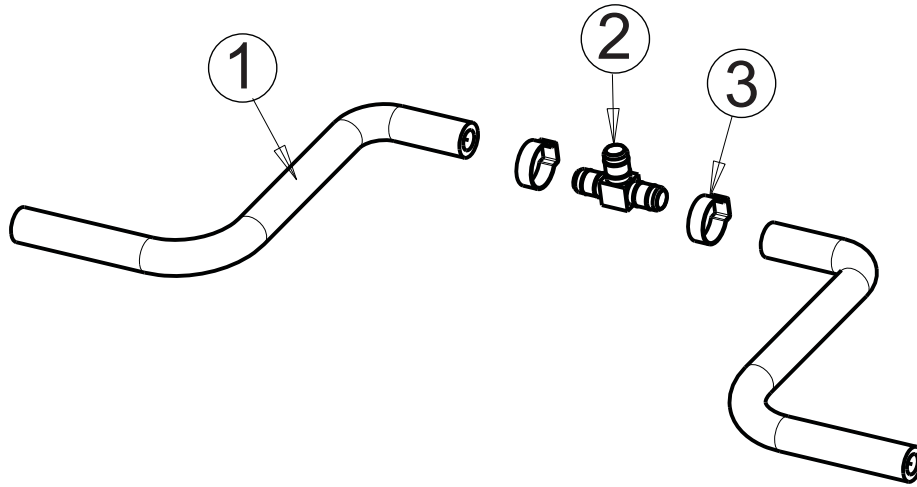


Disc Scrubdeck
Disc Scrubdeck Subassembly II



BILL OF MATERIAL - 241765			
ITEM	PART NO.	QTY	DESCRIPTION
1	210118	4	KNOB-3 SIDED 5/16 NYLOC
2	241378	1	DISK DECK COVER WELDMENT - LH, E RIDE 2426
3	241379	1	DISK DECK COVER WELDMENT - RH, E RIDE 2426
4	241447	2	HOSE, CLEAR 3/8OD X 3/4"
5	241628	1	DRAG CHAIN ASSY, DISK SCRUBDECK SCV24/26
6	241653	2	WATER FEED BRKT , DISK, SCV24/26
7	241655	1	MOTOR SHROUD 26" DECK
8	241657	2	MOUNTING BRACKET, MOTOR COVER
9	241660	1	DISK SCRUBDECK MNTG PLAT E, 26"
10	241661	1	SOL. FEED HOSE SUB-ASS'Y, DISK
11	241662	2	COVER MNT BRK'T , SCV 24/26 ASSY
12	281633	2	SPEED NUT - 3/8"
13	281634	2	DISK SOLUT ION FEED ASSY
14	361218	1	CABLE TIE, BLACK
15	450076	2	CLAMP-CRIMP 185R SS
16	711229	2	BLT-HH 5/16-18 x .875
17	711242	12	BLT-HEX 3/8 -16X1.00
18	711504	9	WSR-FLAT 1/4 ID SS
19	711512	2	WSR-FLAT .75X1.37X.08
20	711515	12	WSR-FLAT .406 X .812 X .0625
21	711539	2	WSR-EXTERNAL LOCK 3/8
22	711545	2	WSR-HELICAL 5/16
23	711546	12	WSR-HELICAL 3/8
24	711554	2	WSR-INTERNAL LOCK 1/4 ID
25	711855	2	WSR-FLT .37X1.12X.10 STL Z HARD
26	712562	8	BOLT-HH 1/4-20X3/4 SS
27	712758	8	WSR-HELICAL 1/4 SS
28	740099	4	CABLE TIE - SMALL
29	744017	1	FERRIT E - BEAD CLAMP ON
30	748125-1	1	MOTOR, DUAL RT ANGLE, W/CONN, 26 SPORT
31	748307	1	CONDUIT, SPLIT 3/8" X 21" LONG
32	828062	2	CABLE TIE - LARGE
33	828490	2	CRIMP CLAMP 140R

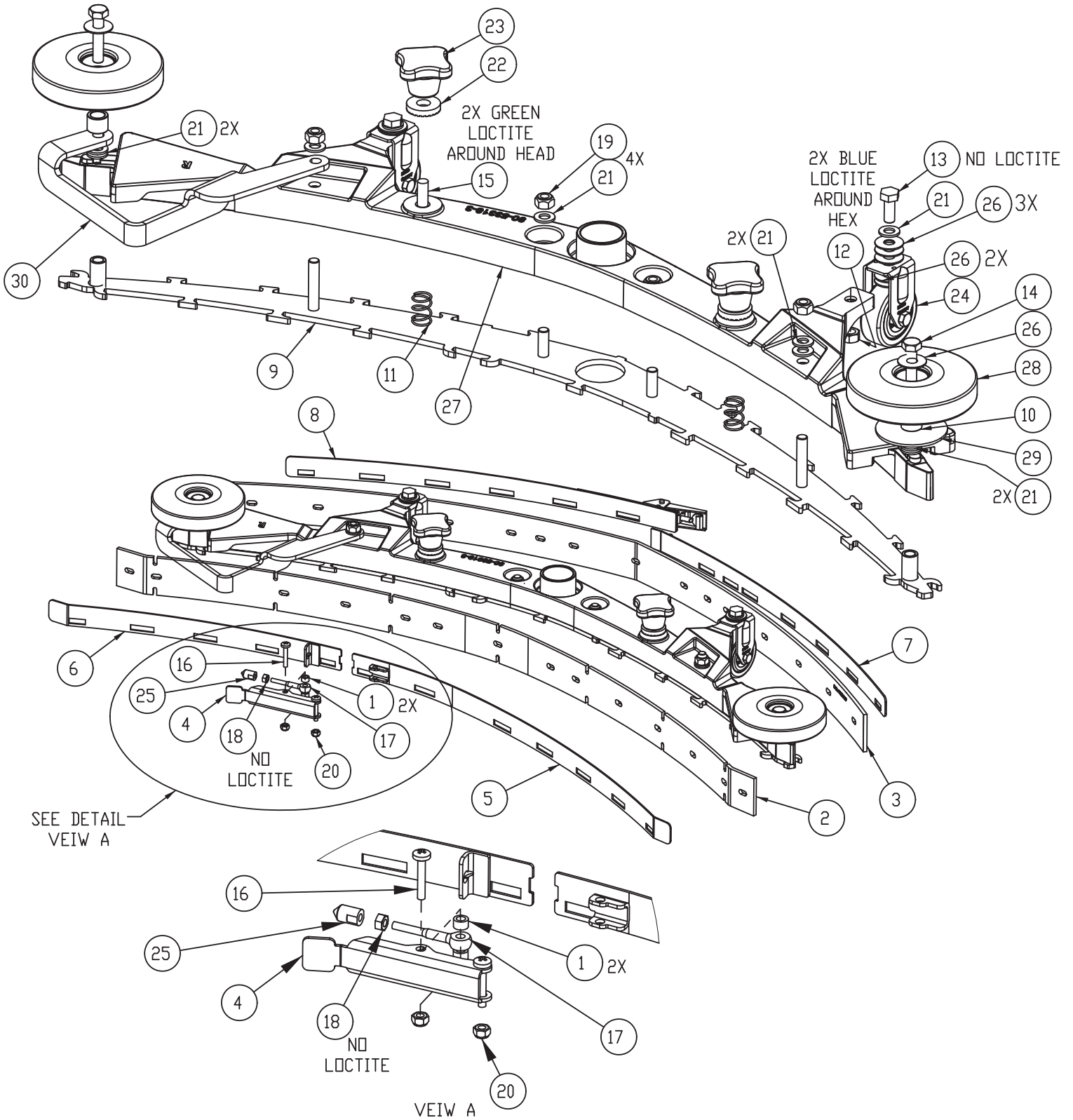
Disc Scrubdeck
 Solution Feed Hose Subassembly



BILL OF MATERIAL - 241661			
ITEM	PART NO.	QTY	DESCRIPTION
1	241665	2	HOSE-WIRE REINF 3/8 X 6.5"
2	320266	1	FTG-TEE 1/2 HB X 1/2 HB X 1/2 HB BRASS
3	450076	2	CLAMP-HOSE 5/8 (.590-.791) SS

Notes

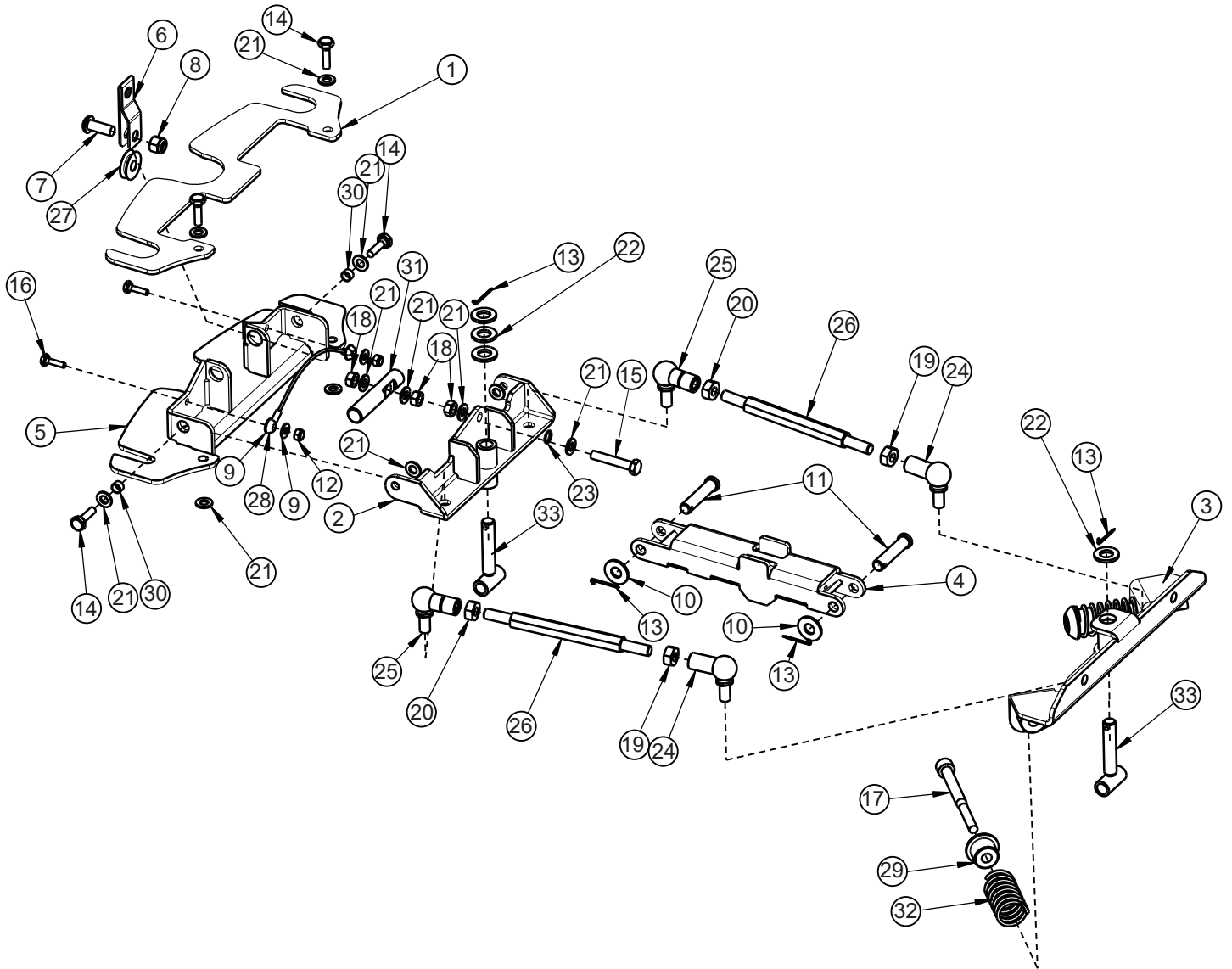
Rear Squeegee Assembly



Rear Squeegee Assembly BOM

BILL OF MATERIAL - 242534			
ITEM	PART NO.	QTY	DESCRIPTION
1	172074	2	SPACER, 5/16OD X 17GA, ALUM
2	172162	1	SQUEEGEE BLADE, FRONT - 860
3	172163	1	SQUEEGEE BLADE, REAR - 860
4	172234	1	LEVER - 90535758
5	172240	1	STRAP WMT, FRONT LEFT - 34" (860) SQG
6	172241	1	STRAP WMT, FRONT RT - 34" (860) SQG
7	172245	1	STRAP WMT, REAR LEFT - 34" (860) SQG
8	172246	1	WELD-ST RAP REAR RT - 34" (860) SQG
9	242436	1	PLAT E, BOT TOM W/ ST UDS, 34" SQG, SS
10	430322	2	BUSHING-.435 X .625 X .50 ZINC
11	670093	2	SPRING, COMPRESSION
12	717029	2	NUT - HEX M8X1.25 SS
13	717030	2	BOLT -HH M8X1.25 X 20 SS
14	717037	2	BOLT -HH M8X1.25 X 40 SS
15	11039328	2	BOLT -HH M10X25 SS DIN 933
16	11175494	2	SCR-MC M5X0.8 X 25 DIN7985 SS
17	11518313	1	BLT-EYE M5 X 40 SS
18	12022430	1	NUT-HEX M5 SS DIN934
19	12040259	4	NUT-NYLOC M8 X1.25 SS
20	12040283	2	NUT-HEX, M5 NYLON LOCK, SS DIN985
21	730609	11	WASHER-FLAT M8 SS
22	12515094	2	WSR-CONICAL SERRATED TOOTH, M10.6
23	17133026	2	KNOB, M10 STAR HANDLE
24	90513094	2	FIXED CASTOR
25	90513631	1	PIN, THD
26	90531112	12	WASHER - FLAT, 8.3 x 22 x 1.00mm, SS
27	90533183	1	CASTING, SQG BODY 24" (860mm)
28	90548397	2	ROLLER - PLASTIC, 100mm DIA. (4"), BLACK
29	90551185	1	WSR-FLT 8.5X55X2.0 SS
30	90552993	1	DEFLECTION ARM - E RIDE

Squeegee Mechanism Assembly



Squeegee Mechanism Assembly BOM

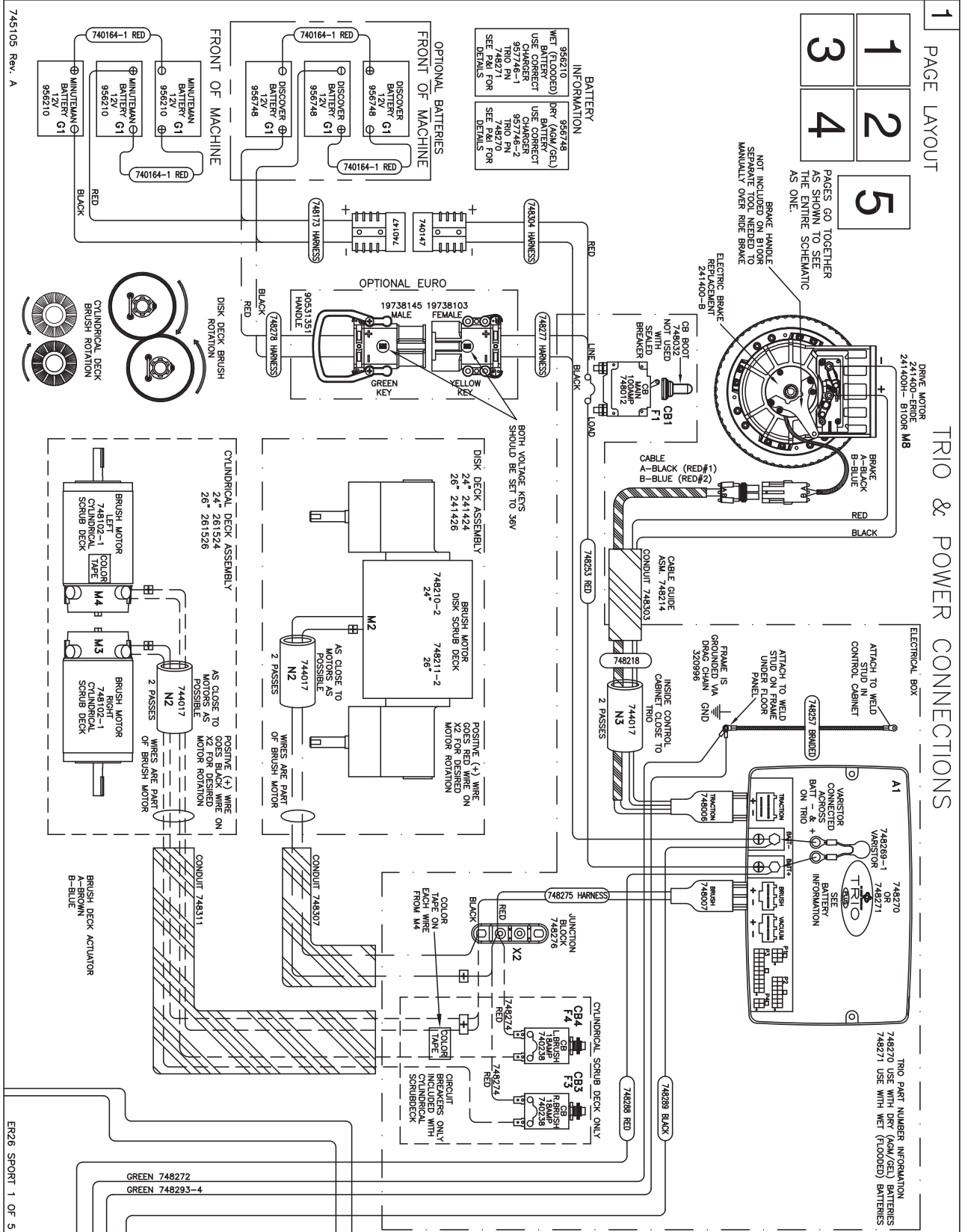
BILL OF MATERIAL - 241300			
ITEM	PART NO.	QTY	DESCRIPTION
1	241283	1	SQUEEGEE MOUNT PLATE - LOWER, SCV 2426
2	241284	1	SQUEEGEE MECH. REAR WELDMENT - SCV 2426
3	241288	1	SQUEEGEE MECH. MOUNTING WDT-SCV 2426
4	241291	1	WD-SQUEEGEE PIVOT ARM - SCV 2426 ZINC
5	241294	1	SQUEEGEE MOUNT WELDMENT-UPPER, SCV 2426
6	241580	1	HANGER BRACKET - REAR SQUEEGEE
7	710986	1	SCR-BHSCS 3/8-16 X 1.00 ZP
8	711380	1	NUT-NYLOC 3/8-16 ZP
9	711504	4	WASHER-FLAT 1/4 SS
10	711508	2	WASHER-FLAT 3/8 X 1.00 X .08 ZP
11	711727	2	PIN-CLEVIS 7/16 X 2.00 ZINC 1.84" UNDER
12	717018	2	NUT-NYLOC M6 X 1.0 ZP
13	809311	4	PIN-COTTER 7/64 X 1
14	11038247	4	SCR-HH M8-1.25 X 25 ZP CLASS 8.8
15	11038299	1	SCR-HH M8-1.25 X 45 ZP CLASS 8.8
16	11038312	2	SCREW - MACHINE, HEX, M6-20, ZINC DICH
17	11126653	2	SCREW-SOCKET HEAD CAP ISO 4762-M10x110-1
18	12022059	3	NUT-HEX M8 X 1.25 STL ZD CL8 DIN 934
19	12022067	2	NUT-HEX M10 X 1.5 ZD CLASS 8
20	12022224	2	NUT-HEX METRIC M10 X 1.5 STL ZD
21	12310041	12	WASHER-FLAT M8.4 X 16 X 1.6 ZP
22	12310066	4	WSR-FLT M13 X 24 X 2.5 STL 140HV ZD DIN
23	12520053	1	WASHER - SERRATED, LOCKING, M8,
24	16046039	2	BALL JOINT - RH, M10 FEMALE THREADS
25	16046088	2	BALL JOINT - LH, M10 FEMALE THREADS
26	90414806	2	TURNBUCKLE - M10 THREADS, STEEL HEX BODY
27	90434333	1	PULLEY - STEEL, SQUEEGEE LIFT MECH
28	90434341	1	HANGER CABLE - STEEL W/ DUAL EYELETS
29	90443979	2	BUSHING - STEEL, SPRING CAP
30	90473158	2	BUSHING
31	90537697	1	PIVOT BAR - MACHINED, STEEL
32	90538307	2	SPRING - COMPRESSION, 1.22 OD,
33	96098330-2	2	T BAR WELDMENT - STEEL, ZINC PL

1 PAGE LAYOUT

1	2	5
3	4	

PAGES GO TOGETHER AS SHOWN TO SEE THE ENTIRE SCHEMATIC AS ONE.

TRIO & POWER CONNECTIONS



745105 Rev. A

ER26 SPORT 1 OF 5

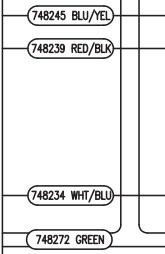
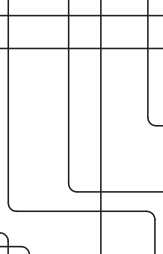
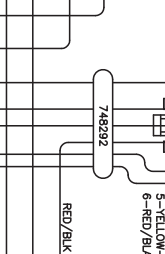
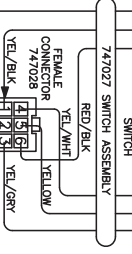
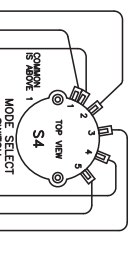
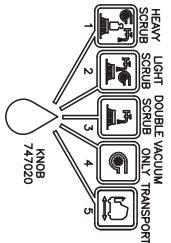
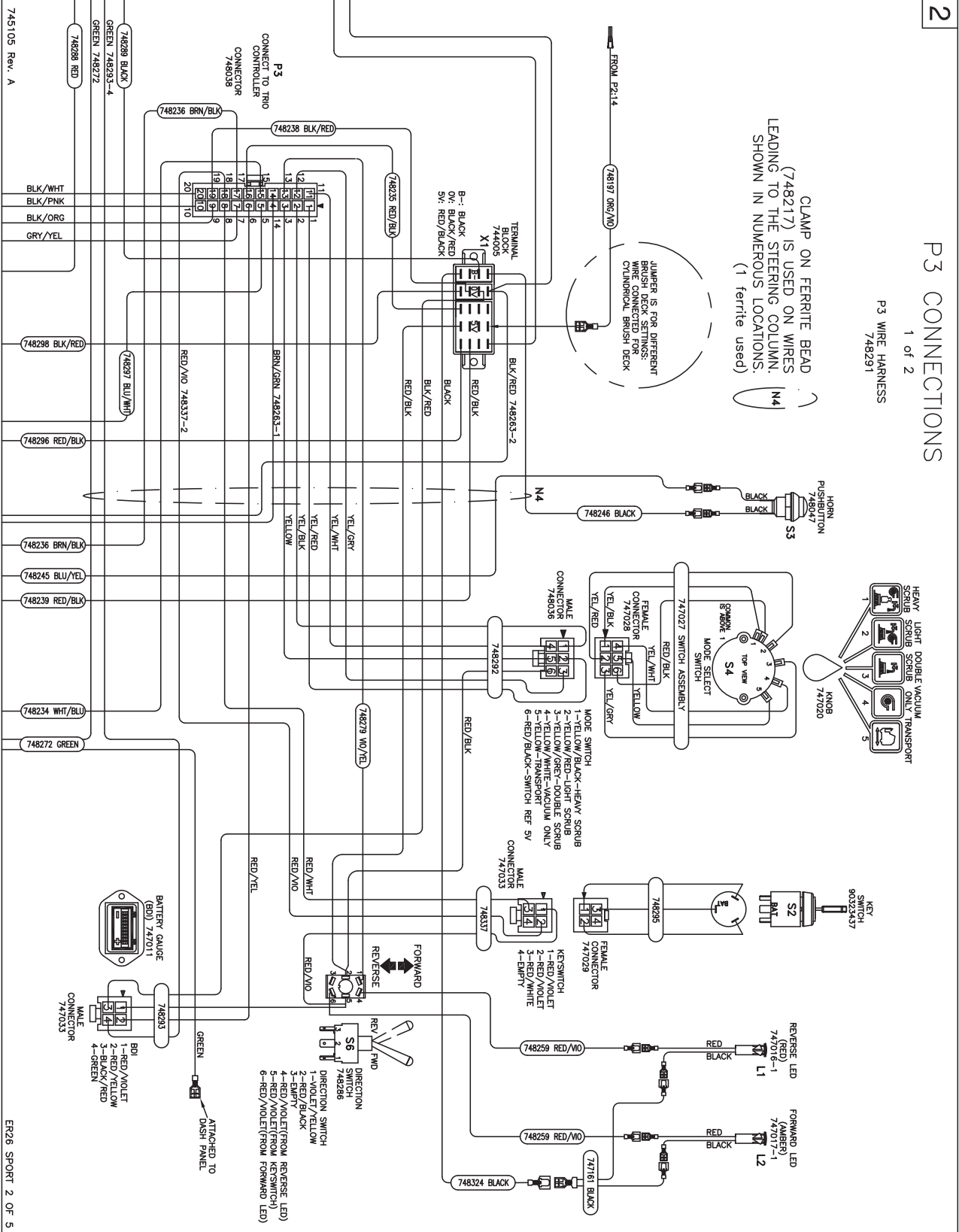
2

P3 CONNECTIONS
1 of 2

P3 WIRE HARNESS
748291

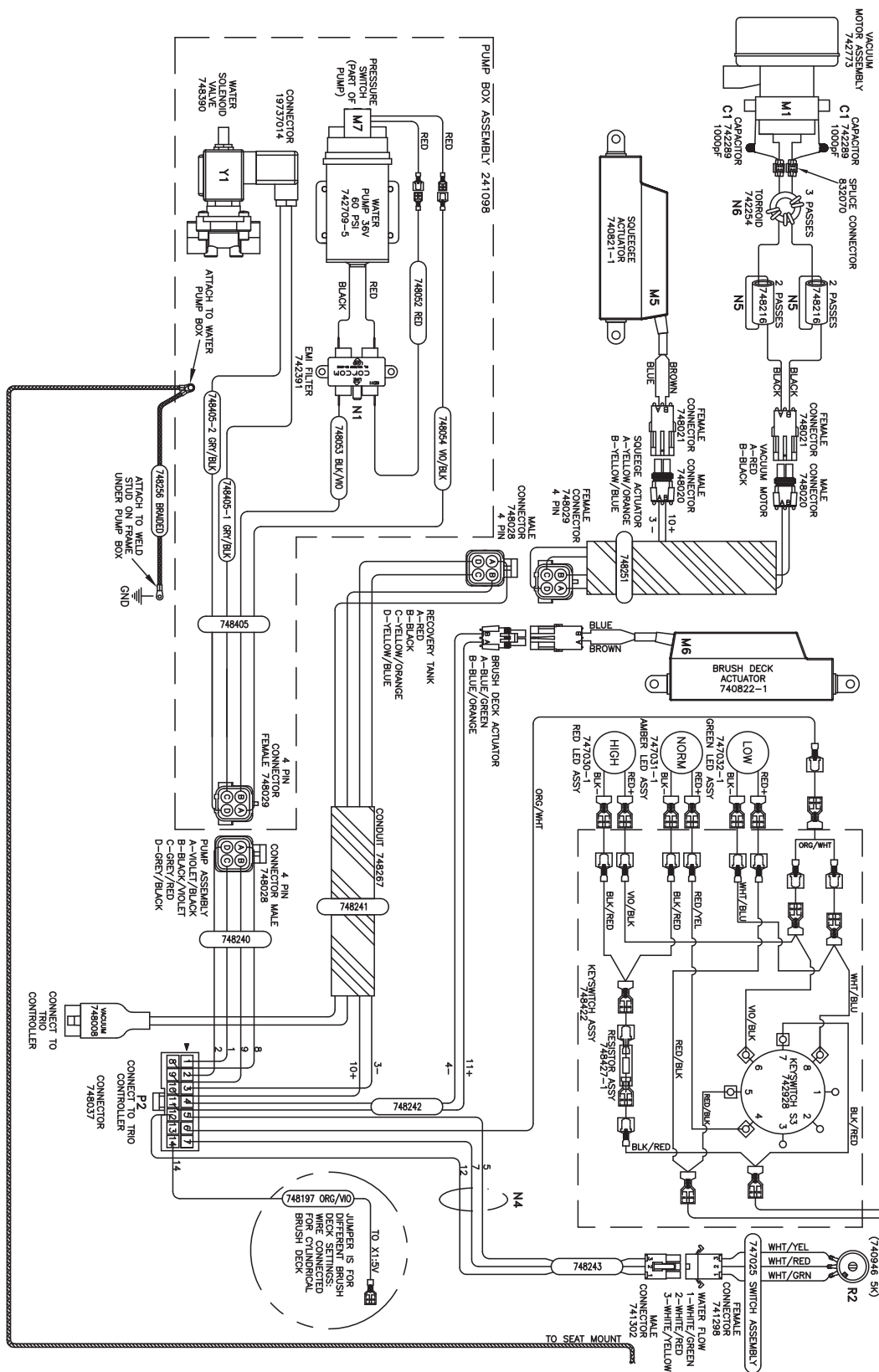
CLAMP ON FERRITE BEAD (748217) IS USED ON WIRES LEADING TO THE STEERING COLUMN. SHOWN IN NUMEROUS LOCATIONS. (1 ferrite used)

JUMPER IS FOR DIFFERENT BRUSH DECK SETTINGS:
PINK CONNECTED TO BRUSH DECK
GREEN CONNECTED TO BRUSH DECK



3

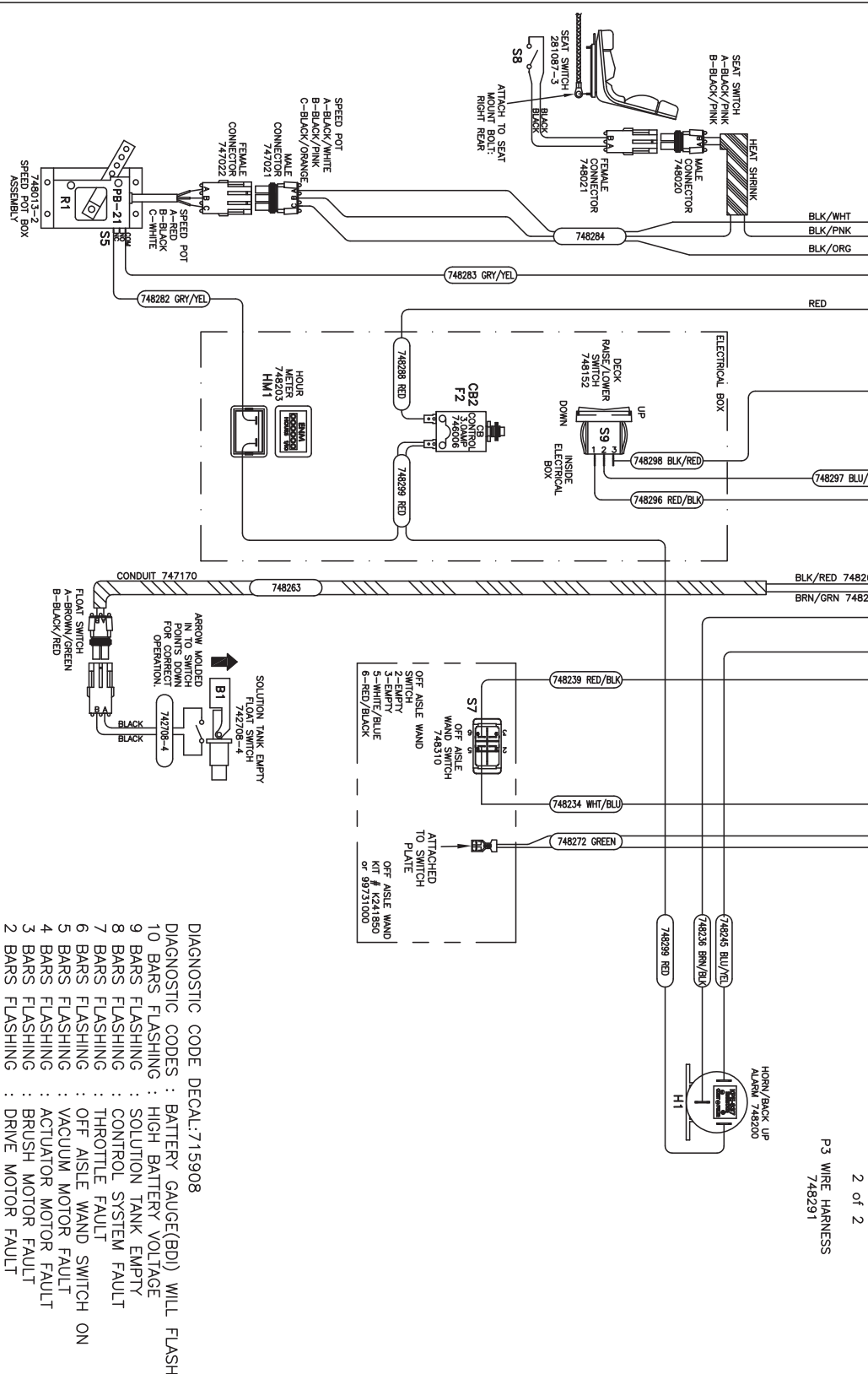
P2 CONNECTIONS
P2 WIRE HARNESS
748241



745105 Rev. A

ER26 SPORT 3 OF 5

4



P3 CONNECTIONS

2 of 2

P3 WIRE HARNESS
748291

- DIAGNOSTIC CODE DECAL: 715908
- DIAGNOSTIC CODES : BATTERY GAUGE(BD) WILL FLASH
- 10 BARS FLASHING : HIGH BATTERY VOLTAGE
 - 9 BARS FLASHING : SOLUTION TANK EMPTY
 - 8 BARS FLASHING : CONTROL SYSTEM FAULT
 - 7 BARS FLASHING : THROTTLE FAULT
 - 6 BARS FLASHING : OFF ASLE WAND SWITCH ON
 - 5 BARS FLASHING : VACUUM MOTOR FAULT
 - 4 BARS FLASHING : ACTUATOR MOTOR FAULT
 - 3 BARS FLASHING : BRUSH MOTOR FAULT
 - 2 BARS FLASHING : DRIVE MOTOR FAULT
 - 1 BAR FLASHING : LOW BATTERY VOLTAGE
 - 10 BARS RIPPLING UP & DOWN : THROTTLE IS DISPLACED ON START UP

745105 Rev. A

ER26 SPORT 4 OF 5

5

WIRE COLORS & FUNCTIONS

P2: TRIO CONNECTOR

PIN #	COLOR	FUNCTION
1	GREY/RED	WATER SOLENOID VALVE
2	GREY/BLACK	WATER SOLENOID VALVE
3	YELLOW/ORANGE	SQUEEGE ACTUATOR
4	BLUE/GREEN	BRUSH ACTUATOR
5	WHITE/YELLOW	WATER FLOW POTENTIOMETER (SLOW)
6	—	—
7	WHITE/RED	WATER FLOW POTENTIOMETER (WIPER)
8	VIOLET/BLACK	WATER PUMP
9	VLACK/VIOLET	WATER PUMP
10	YELLOW/BLUE	SQUEEGE ACTUATOR
11	BLUE/ORANGE	BRUSH ACTUATOR
12	WHITE/GREEN	WATER FLOW POTENTIOMETER (FAST)
13	—	—
14	ORANGE/VIOLET	BRUSH DECK PRESSURE SET

P3: TRIO CONNECTOR

PIN #	COLOR	FUNCTION
1	YELLOW/RED	5 MODE SWITCH: LIGHT SCRUB
2	YELLOW/BLACK	5 MODE SWITCH: HEAVY SCRUB
3	YELLOW	5 MODE SWITCH: TRANSPORT
4	—	—
5	BLUE/WHITE	DECK RAISE/LOWER SWITCH
6	RED/YELLOW	BATTERY GAUGE SIGNAL
7	GREY/YELLOW	HOUR METER
8	RED/WHITE	ON/OFF REF (B+)
9	BLACK/ORANGE	SPEED POTENTIOMETER (SLOW)
10	BLACK/PINK	SPEED POT./SEAT SAFETY SWITCH
11	YELLOW/WHITE	5 MODE SWITCH: VACUUM ONLY
12	YELLOW/GREY	5 MODE SWITCH: DOUBLE SCRUB
13	VIOLET/YELLOW	REVERSE SWITCH
14	BROWN/GREEN	SOLUTION TANK EMPTY FLOAT SWITCH
15	WHITE/BLUE	OFF AISLE WAND
16	RED/BLACK	HIGH SWITCH REF 5VDC
17	BROWN/BLACK	BACK UP ALARM
18	RED/VIOLET	ON/OFF INPUT-KEY SWITCH
19	BLACK/RED	LOW SWITCH REF 0VDC
20	BLACK/WHITE	SPEED POTENTIOMETER (FAST)

MISCELLANEOUS

COLOR	FUNCTION
RED	BATTERY 36VDC
BLACK	BATTERY 0VDC
RED/BLACK	HIGH SWITCH REF 5VDC
BLACK/RED	LOW SWITCH REF 0V
BLUE/YELLOW	HORN
ORANGE/VIOLET	DECK TYPE SELECT:CONNECT W/CYLINDRICAL
GREEN	ESD GROUND

KEY SWITCH: S2

PIN #	HARNESS COLOR	FUNCTION
1	RED/VIOLET	POSITIVE TO LEDS
2	RED/VIOLET	TRIO KSI P3:18
3	RED/WHITE	+V FROM TRIO P3:8
4	—	—

MODE SELECT SWITCH: S4

SWT #	PIN #	COLOR	FUNCTION
1	1	YELLOW/BLACK	HEAVY SCRUB
2	2	YELLOW/RED	LIGHT SCRUB
3	3	YELLOW/GREY	DOUBLE SCRUB
4	4	YELLOW/WHITE	VACUUM ONLY
5	5	YELLOW	TRANSPORT
C	6	RED/BLACK	SWITCH REF 5V

BATTERY GAUGE: BDI

PIN #	COLOR	FUNCTION
1	RED/VIOLET	SWITCHED 36VDC:P3-18
2	RED/YELLOW	SIGNAL: P3-6
3	BLACK/RED	SIGNAL REF 0V
4	GREEN	ESD DISCHARGE/GND

DIRECTION SWITCH: S6

PIN #	COLOR	FUNCTION
1	VIOLET/YELLOW	REVERSE
2	RED/BLACK	HIGH SWITCH REF 5VDC
3	—	—
4	RED/VIOLET	REVERSE LED
5	RED/VIOLET	KEY SWITCH ON
6	RED/VIOLET	FORWARD LED

KEY SWITCH: S3

PIN #	HARNESS COLOR	FUNCTION
4	RED/YELLOW	POSITIVE TO LED NORM
5	RED/BLACK	TERM BLOCK 5V
6	VIOLET/BLACK	TRIO P2:6 & LED HIGH
7	BLACK/RED	TERM BLOCK 0V
8	WHITE/BLUE	TRIO P2:6 & LED LOW



Minuteman International Made Simple Commercial Limited Warranty

REVISION O EFFECTIVE 4/1/2016

Minuteman International, Inc. warrants to the original purchaser/user that the product is free from defects in workmanship and materials under normal use. Minuteman will, at its option, repair or replace without charge, parts that fail under normal use and service when operated and maintained in accordance with the applicable operation and instruction manuals. All warranty claims must be submitted through and approved by factory authorized repair stations.

This warranty does not apply to normal wear, or to items whose life is dependent on their use and care, such as belts, cords, switches, hoses, rubber parts, electrical motor components or adjustments. Parts manufactured by Minuteman are covered by and subject to the warranties and/or guarantees of their manufacturers. Please contact Minuteman for procedures in warranty claims against these manufacturers.

Special warning to purchaser -- Use of replacement filters and/or pre-filters not manufactured by Minuteman or its designated licensees, will void all warranties expressed or implied. A potential health hazard exists without original equipment replacement.

All warranted items become the sole property of Minuteman or its original manufacturer, whichever the case may be.

Minuteman disclaims any implied warranty, including the warranty of merchantability and the warranty of fitness for a particular purpose. Minuteman assumes no responsibility for any special, incidental or consequential damages.

This limited warranty is applicable only in the U.S.A. and Canada, and is extended only to the original user/purchaser of this product. Customers outside the U.S.A. and Canada should contact their local distributor for export warranty policies. Minuteman is not responsible for costs or repairs performed by persons other than those specifically authorized by Minuteman. This warranty does not apply to damage from transportation, alterations by unauthorized persons, misuse or abuse of the equipment, use of non-compatible chemicals, or damage to property, or loss of income due to malfunctions of the product.

If a difficulty develops with this machine, you should contact the dealer from whom it was purchased.

This warranty gives you specific legal rights, and you may have other rights which vary from state to state. Some states do not allow the exclusion or limitation of special, incidental or consequential damages, or limitations on how long an implied warranty lasts, so the above exclusions and limitations may not apply to you.



Model	Parts	Labor	Poly	Travel**
Cord Electric Group	5yrs	3yrs	12yrs	90 days
Battery Operated Group	5yrs	3yrs	12yrs	90 days

Exceptions.....

Model	Parts	Labor	Poly	Travel**
Port A Scrub, all models	1yr	6months	12yrs	90 days
A3S Blower	1yr	1yr	0	0
Phenom Dual Motor Upright Vacuums	2yrs	2yrs	0	0
Explosion Proof Vacuum	1yr	1yr	0	0
Propane Burnisher	1yr	1yr	0	90 days
**Travel, 2 hours max				

<i>Stand-alone Battery Chargers:</i>	One year
<i>Replacement Parts:</i>	Ninety days
<i>Batteries:</i>	0-3 months full replacement, 4-12 months pro-rate
<i>Polypropylene Plastic Tanks:</i>	12yr warranty, no additional labor

Excellence Meets Clean

Minuteman International, Inc.
14N845 U.S. Route 20, Pingree Grove, IL 60140 USA
Phone (800) 323-9420 - www.minutemanintl.com
A Member of the Hako Group