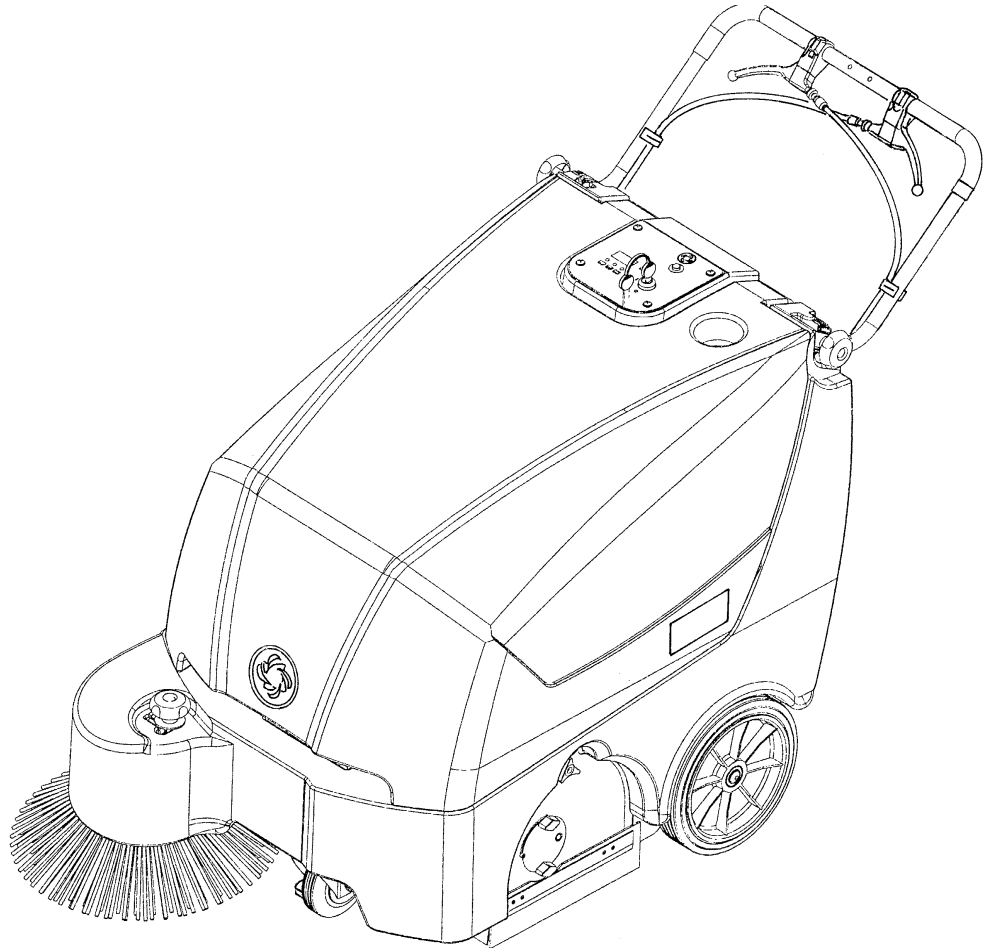


Terra 132B

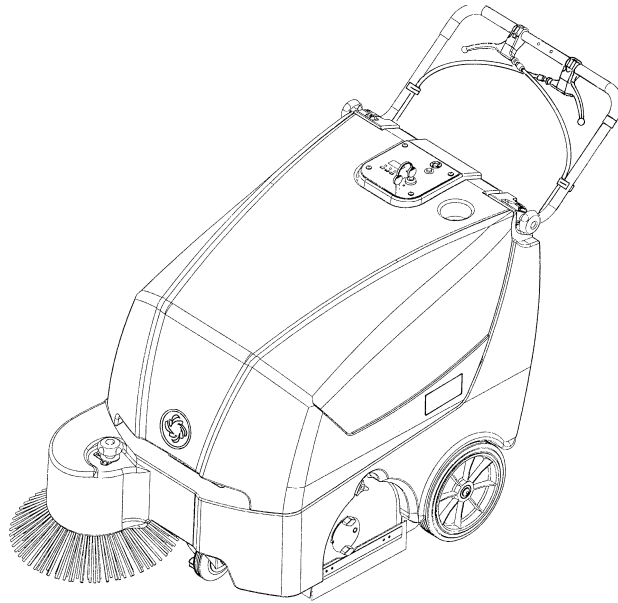


Parts List
Advance Model 908 4103 010



Advance
by Nilfisk-Advance

146 0788 000(3)2006-12



CHASSIS SYSTEM	2 - 3
MAIN BROOM ASSEMBLY	4 - 5
SIDE BROOM ASSEMBLY	6 - 7
DRIVE WHEELS ASSEMBLY	8 - 9
HOPPER SYSTEM	10 - 11
TRANSMISSION SYSTEM	12 - 13
BELT TENSIONER ASSEMBLY	14 - 15
REDUCTION MOTOR ASSEMBLY	16 - 17
DUST CONTROL SYSTEM	18 - 19
HANDLE SYSTEM	20 - 21
CONTROL PANEL ASSEMBLY	22 - 23
RIGHT-LEFT HUB ASSEMBLIES	24 - 25
DECALS	26 - 27
ELECTRICAL PARTS	28 - 29
BATTERY CHARGER ASSEMBLY	30 - 31 - 32
WIRING DIAGRAM	33
RECOMMENDED SPARE PARTS	34

WHEN ORDERING PARTS

- * Use the 8, 9 or 10 digit numbers from the "Ref. No." columns in this parts list.
- * Specify the model and serial number of the machine.
- * Use the space below to record the model and the serial number for future reference.

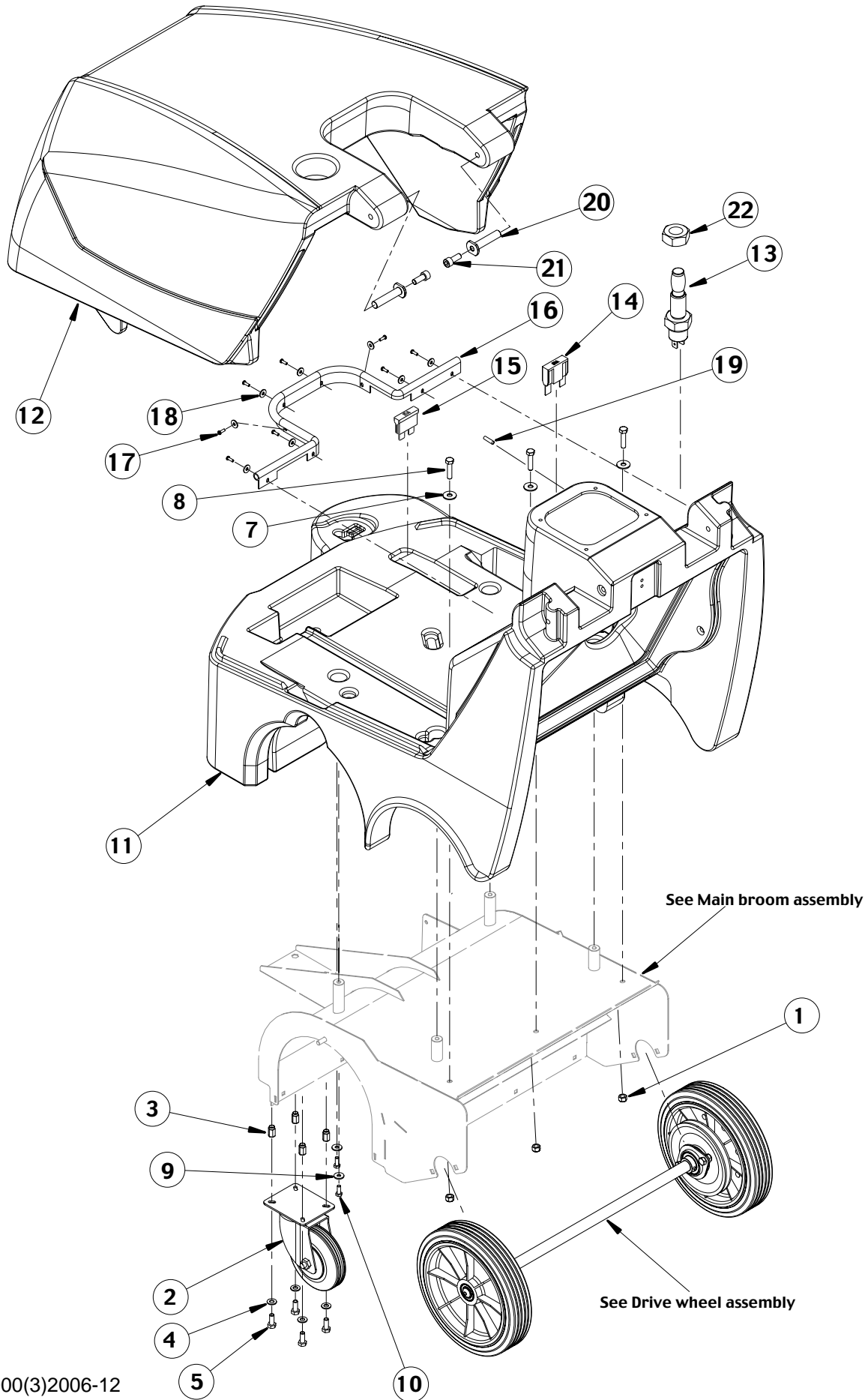
Model _____ Serial No. _____

*** = Optional**

= New Item no.

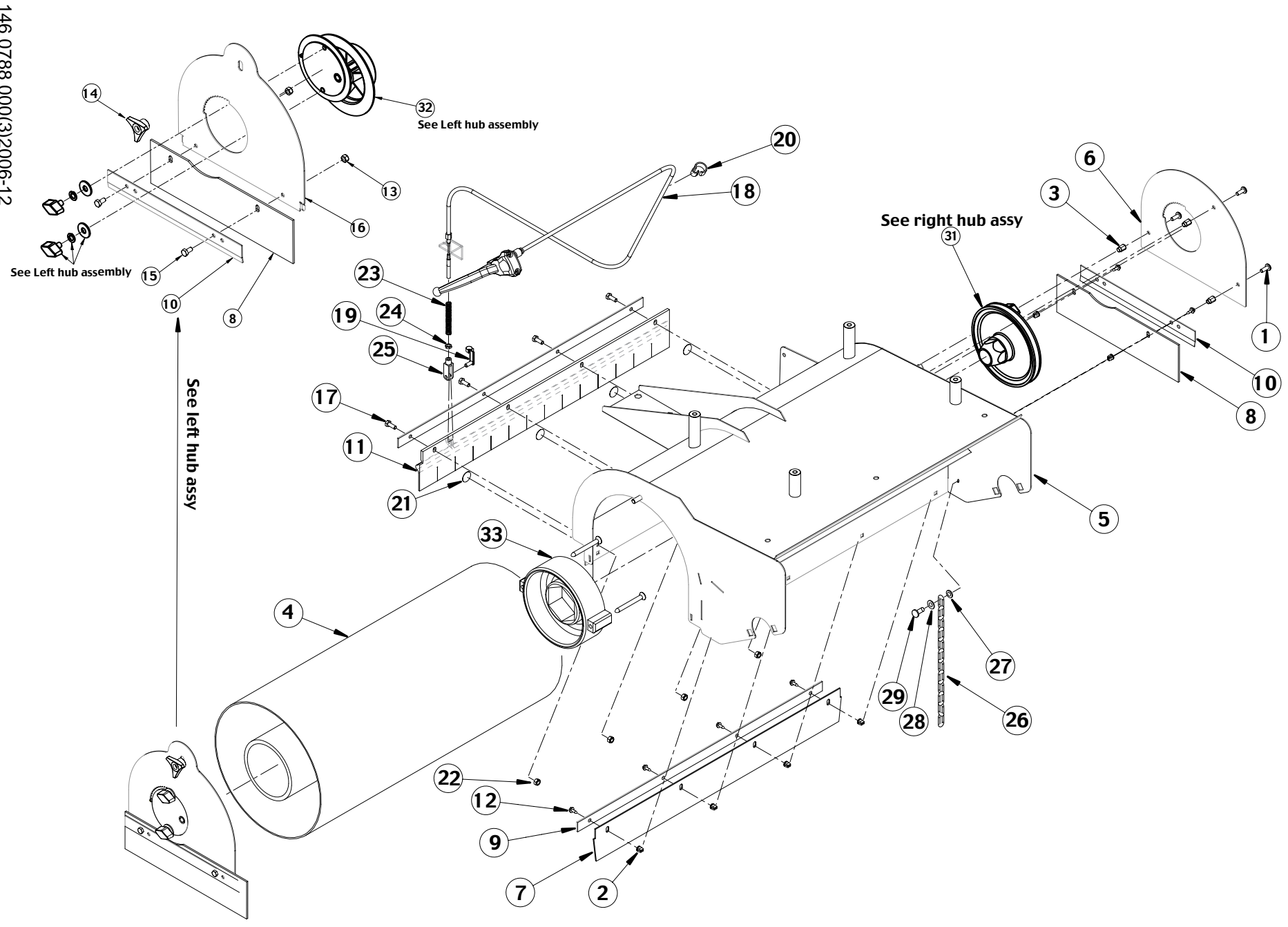
[] = Not shown

xxxxxxx = Contained in a Kit



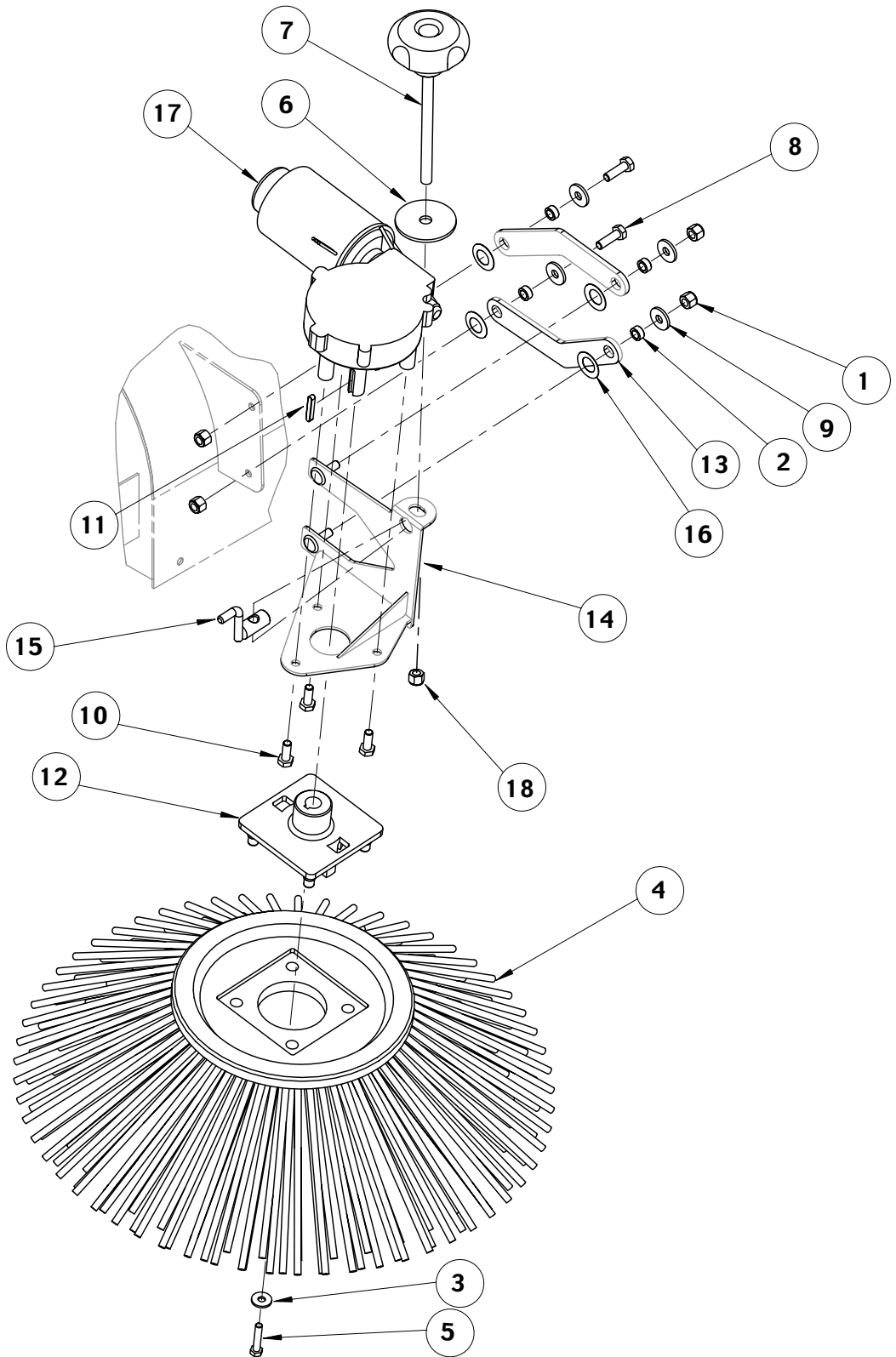
2003-12	CHASSIS SYSTEM			
	Terra 132B			3

Item	Ref. No.	Qty	Descrizione	Description
1	xxxxxxx	3	Dado autob. M 8	Nut self locking M8
2	145 5115 000	1	Ruota pivoettante	Castor
2	146 0569 000*	1	Ruota pivoet. con freno	Castor with brake
3	xxx xxxx xxx	4	Inseriti M8	Insert
4	xxx xxxx xxx	4	Rondella piana	Washer flat
5	xxx xxxx xxx	4	Vite esagonale M8x20	Screw hex hd. M8x20
7	xxx xxxx xxx	3	Rondella piana	Washer flat
8	xxx xxxx xxx	3	Vite esagonale M8x35	Screw hex hd. M8x35
9	xxx xxxx xxx	2	Rondella piana	Washer flat
10	xxx xxxx xxx	2	Vite esagonale M6x16	Screw hex hd M6x16
11	146 0726 000	1	Telaio rotoformato	Chassis rotomolded
12	146 0727 000	1	Cofano batteria rotof.	Hood rotomolded
13	146 0565 000	1	Interruttore di sicurezza	Hood safety switch
14	146 0571 000	1	Fusibile 60A	Fuse 60A
15	145 9853 000	1	Fusibile 15 A	Fuse 15A
16	146 0733 000	1	Guarnizione cofano	Gasket
17	xxx xxxx xxx	8	Vite autofilettante 4x12	Screw, thd form 4x12
18	xxx xxxx xxx	8	Rondella	Washer
19	145 4260 000	1	Tappo nero	Cap
20	146 0774 000	2	Distanziale cofano	Spacer
21	xxx xxxx xxx	2	Vite 10x25	Screw 10x25
22	146 0637 000	1	Dado es. basso M14	Nut hex thin M14
[23]	146 1082 000	1	Kit viti telaio	Chassis System Hardware Kit (1,3,4,5,7,8,9,10,17,18,21)



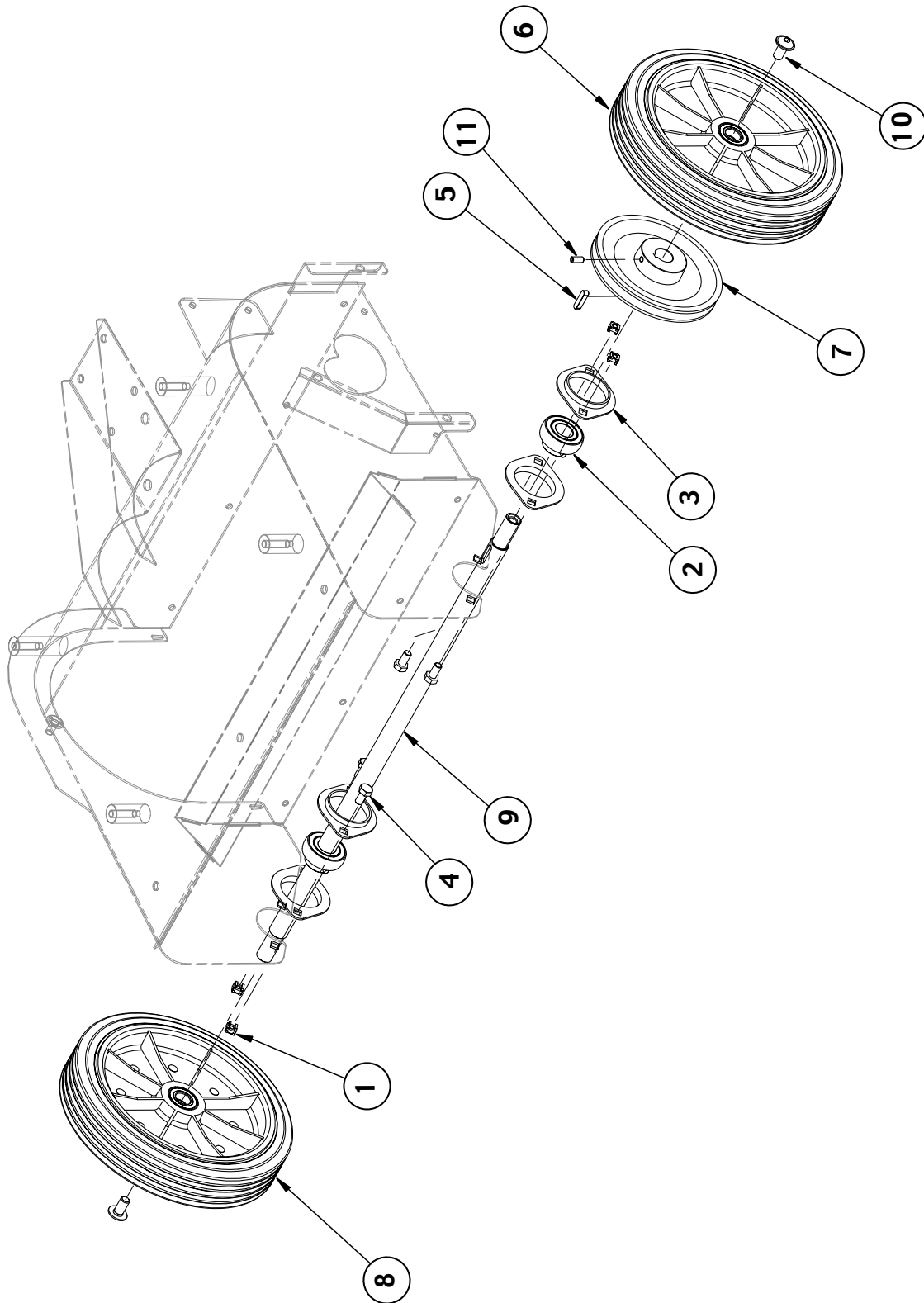
146 0788 000(3)2006-12

Item	Ref. No.	Qty	Descrizione	Description
1	xxxxxxx	3	Vite M6x16	Screw M6x16
2	xxx xxxx xxx	6	Madrevite	Main screw
3	xxx xxxx xxx	3	Inserti M6	Insert M6
4	146 0752 000	1	Spaz.centr. std ø245	Main broom nylon standard ø245
4	146 0753 000*	1	Spaz.centr. sag. ø245	Main broom natural fibre ø245
4	146 0751 000*	1	Spaz.centr. PPL ø245	Main broom PPL ø245
4	146 0754 000*	1	Spaz.centr.misto acc.	Main broom steel mix ø245
4	146 0748 000*	1	Spaz.centr.PPL ø265	Main broom PPL ø265
4	146 0750 000*	1	Spaz.centr.misto acc.	Main broom steel mix ø265
4	146 0749 000*	1	Spaz.centr.sag. ø265	Main broom natural fibre ø265
5	146 0729 000	1	Supporto spaz centr.	Main broom support
6	146 0553 000	1	Piastra per mozzo dx	Right hub plate
7	146 0743 000	1	Flap posteriore std	Rear skirt non marking standard
7	146 0738 000*	1	Flap ant./post.	Front / rear skirt
7	146 0743 000*	1	Flap posteriore antitr.	Rear skirt non marking
8	146 0587 000	2	Flap lat.antritraccia	Non marking side skirt standard
8	146 0555 000*	2	Flap laterale	Side skirt
9	146 0739 000	2	Bandella flap	Skirt plate
10	146 0557 000	2	Bandella flap laterale	Side skirt plate
11	146 0756 000	1	Flap anteriore morbido	Front soft skirt standard
11	146 0742 000*	1	Flap anteriore antitr.	Non marking front skirt
12	xxx xxxx xxx	6	Vite autofilettante	Screw thd forming
13	08603682	2	Dado es. autobl.M6	Nut hex selflocking M6
14	145 5035 000	1	Volantino M8	Knob
15	145 9442 000	2	Vite es. M6x12	Screw hex hd M6x12
16	146 0552 000	1	Portello sx. spaz. centr.	Left hatch
17	xxx xxxx xxx	4	Vite es. M6x16	Screw hex hd M6x16
18	146 0755 000	1	Cavo alzaflap	Skirt lifting cable
19	145 9410 000	1	Clip	Clip
20	146 0763 000	1	Ferma cavo	Locking cable
21	146 0772 000	4	Adesivo rotondo	Decal
22	xxxxxxx	4	Dado es.basso autob.M6	Nut
23	145 1935 000	1	Molla per scuotifiltro	Spring
24	xxx xxxx xxx	1	Dado es.basso M6	Nut
25	145 9409 000	1	Forcella M6	Fork
26	146 0611 000	1	Catena massa a terra	Chain, ground
27	xxx xxxx xxx	1	Rondella dentata M4	Washer M4
28	xxx xxxx xxx	1	Rondella piana M4	Washer, flat M4
29	xxx xxxx xxx	1	Vite TCTC M4x10	Screw cyl. hd M4x10
[30]	146 1083 000	1	Kit viti gruppo spazzola	Main broom System Hardware Kit (1, 2, 3, 12, 17, 22, 24, 27, 28, 29)
[31]	146 0817 000	1	Kit mozzo dx	Right Hub Assembly Kit (see RIGHT - LEFT HUB ASSEMBLIES)
[32]	146 0818 000	1	Kit mozzo sx	Left Hub Assembly Kit (see RIGHT - LEFT HUB ASSEMBLIES)
33	146 0268 000	1	Mozzo dx spaz. centrale	Right Hub, main broom



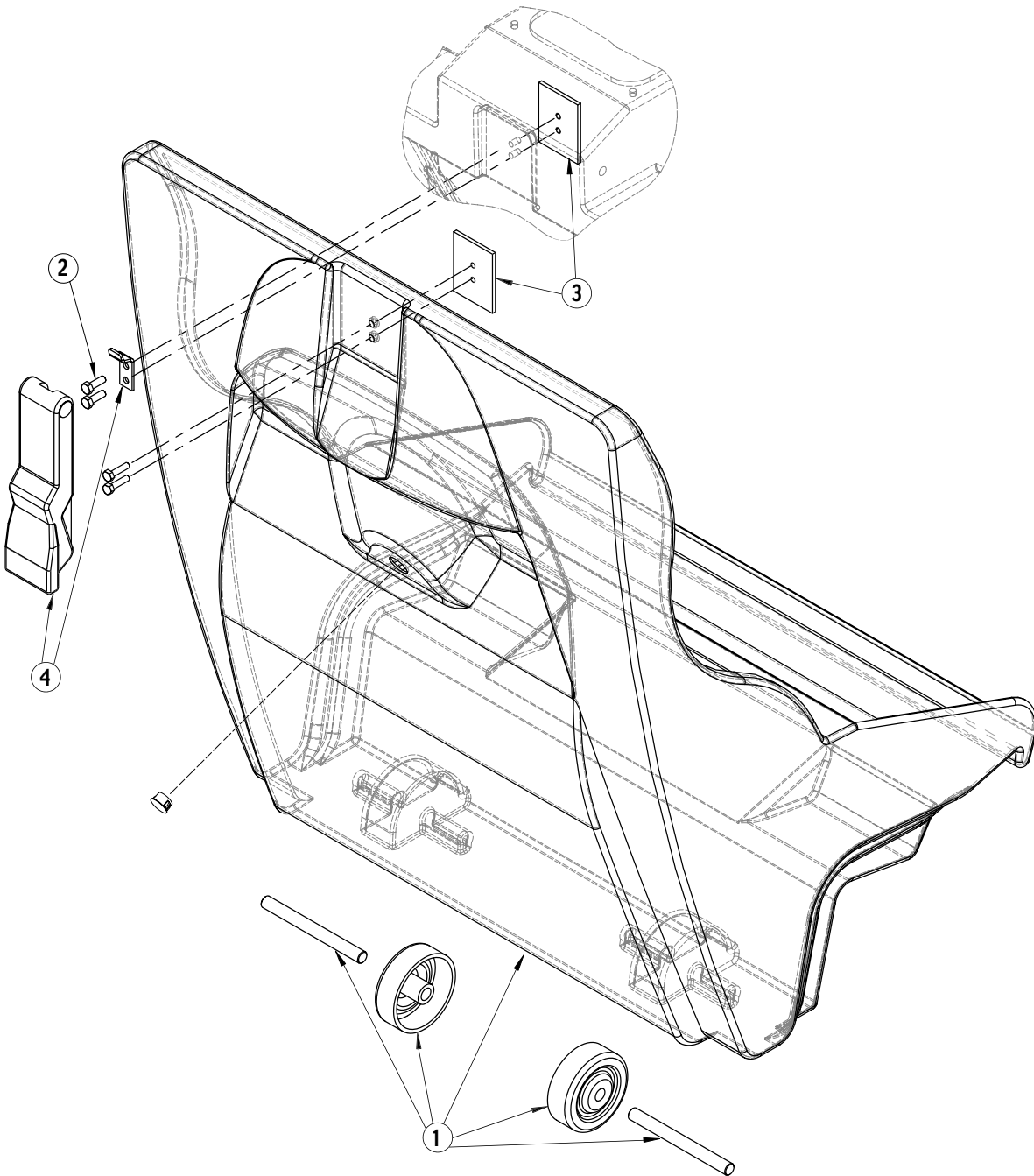
2003-12	SIDE BROOM ASSEMBLY		
	Terra 132B		7

Item	Ref. No.	Qty	Descrizione	Description
1	xxxxxxx	4	Dado autobloc.M6	Nut selflocking M6
2	145 1252 000	4	Distanziale	Spacer
3	xxx xxxx xxx	1	Rondella piana	Washer flat
4	146 0678 000	1	Spazzola lat. nylon std	Side broom nylon standard ø180x347
4	145 1899 000*	1	Spazzola lat.PPL	Side broom PPL ø180x420
4	145 4959 000*	1	Spazzola lat.misto acc.	Side broom steel mix ø180x420
4	145 4976 000*	1	Spazzola lat. saggina	Side broom natural fibre ø180x420
5	xxx xxxx xxx	1	Vite esagonale M5x25	Screw hex hd M5x25
6	xxx xxxx xxx	1	Rondella piana	Washer flat
7	145 8455 000	1	Volantino	Knob
8	xxx xxxx xxx	2	Vite esagonale M6x20	Screw hex hd M6x20
9	xxx xxxx xxx	4	Rondella piana	Washer flat
10	xxx xxxx xxx	3	Vite esagonale M6x16	Screw hex hd M6x16
11	145 9777 000	1	Chiavetta	Key
12	146 0519 000	1	Mozzo spazzola lat.	Side broom hub
13	146 0558 000	2	Braccio spazzola	Arm side broom
14	146 0559 000	1	Staffa spazzola	Broom bracket
15	146 0560 000	1	Aggancio spazzola	Hook side broom
16	xxx xxxx xxx	4	Molla a tazza	Washer Belleville
17	146 0532 000	1	Motoriduttore	Reduction gear motor
18	xxxxxxx	1	Dado es.basso autob.M8	Nut hex nylon loc M8
[19]	146 0810 000	1	Kit viti spazzola laterale	Side Broom Assy Hardware Kit (1, 3, 5, 6, 8, 9,10,16, 18)



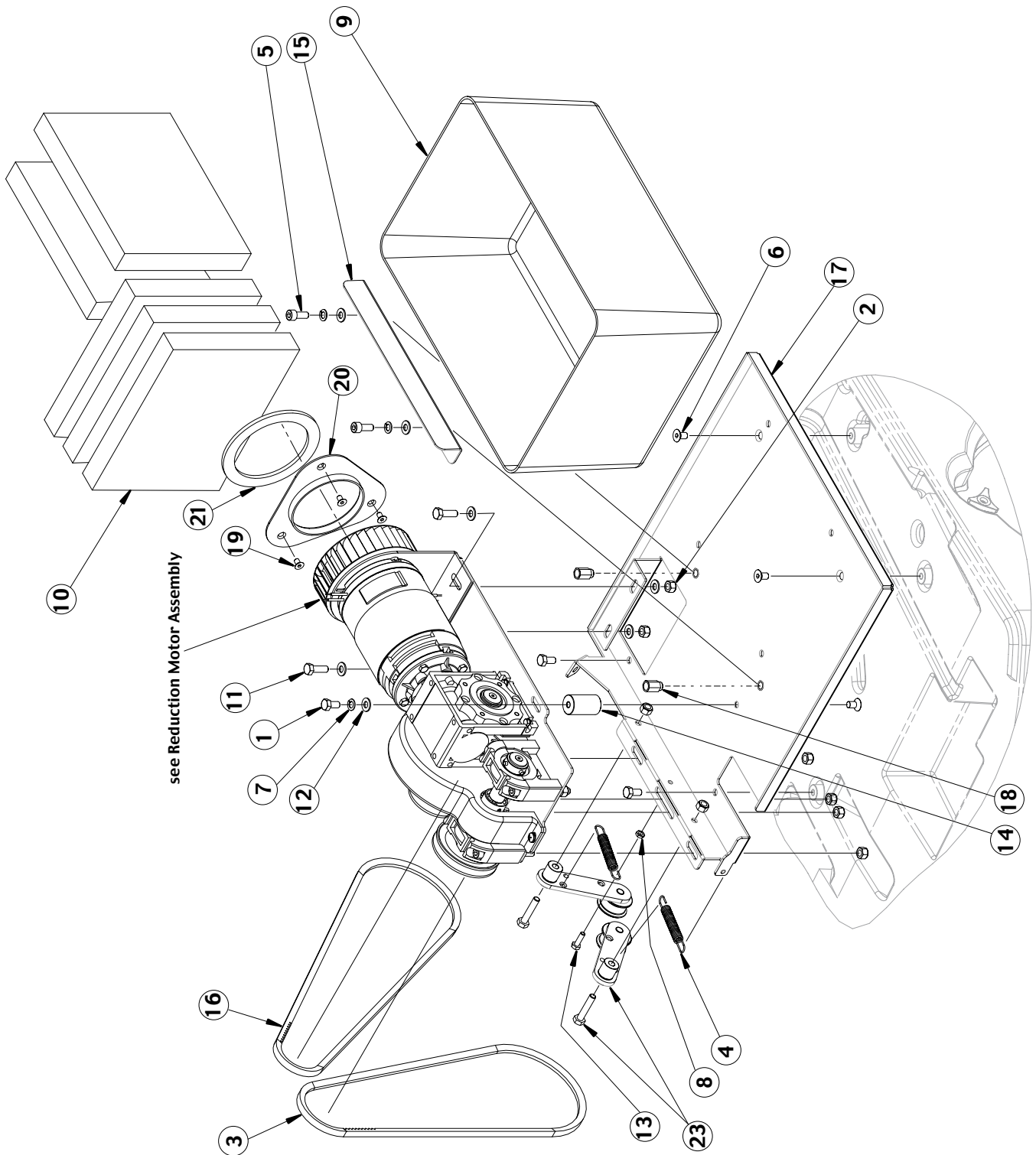
2003-12	DRIVE WHEELS ASSEMBLY		
	Terra 132B		9

Item	Ref. No.	Qty	Descrizione	Description
1	xxx xxxx xxx	4	Dado a gabbia M8	Cage nut
2	145 1123 000	2	Cuscinetto	Ball bearing
3	145 8543 000	2	Supporto	Support
4	xxx xxxx xxx	4	Vite M8x16	Screw M8x16
5	145 9899 000	1	Linguetta	Key
6	146 0513 000	1	Ruota destra	Wheel right
7	146 0517 000	1	Puleggia	Pulley
8	146 0518 000	1	Ruota sinistra	Wheel left
9	146 0732 000	1	Albero trazione	Traction shaft
10	xxx xxxx xxx	2	Vite M10x20	Screw M10x20
11	146 0640 000	1	Grano	Dowel
[12]	146 1084 000	1	Kit viti ruote trazione	Drive Wheel Assy Hardware Kit (1,4,10)



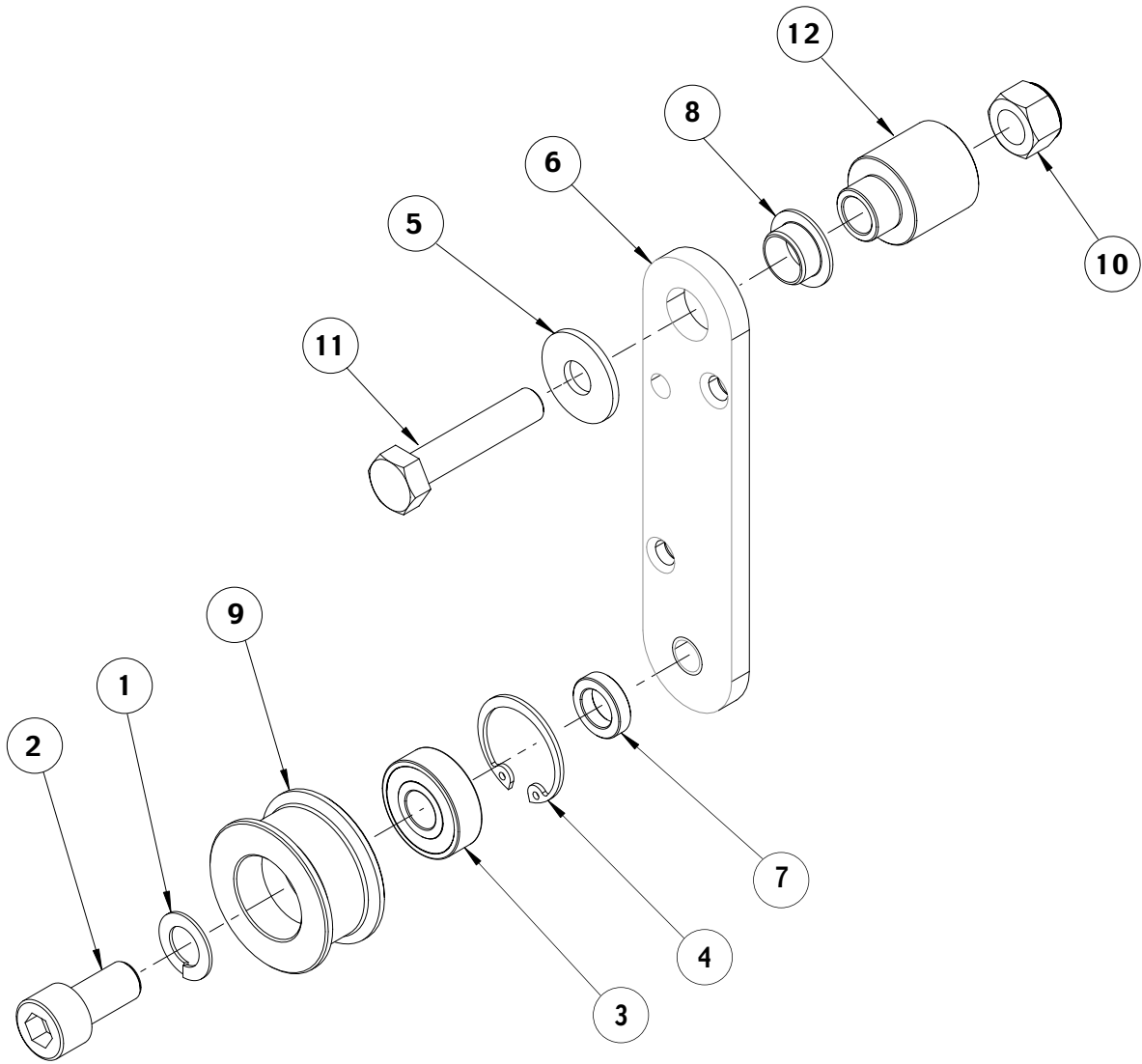
2003-12	HOPPER SYSTEM			
	Terra 132B			11

Item	Ref. No.	Qty	Descrizione	Description
1	146 0740 000	1	Cassetto rifiuti compl.	Hopper complete
2	xxx xxxx xxx	4	Vite M5x20	Screw
3	146 0562 000	2	Piastra fissaggio	Fixing plate
4	146 0520 000	1	Gancio in gomma	Hook rubber
[5]	146 1085 000	1	Kit bulloneria varia	Miscellaneous Hardware Kit [2 (pg.11), 1 (pg.19), 1,9 (pg. 21), 1,2,3 (pg.31)]



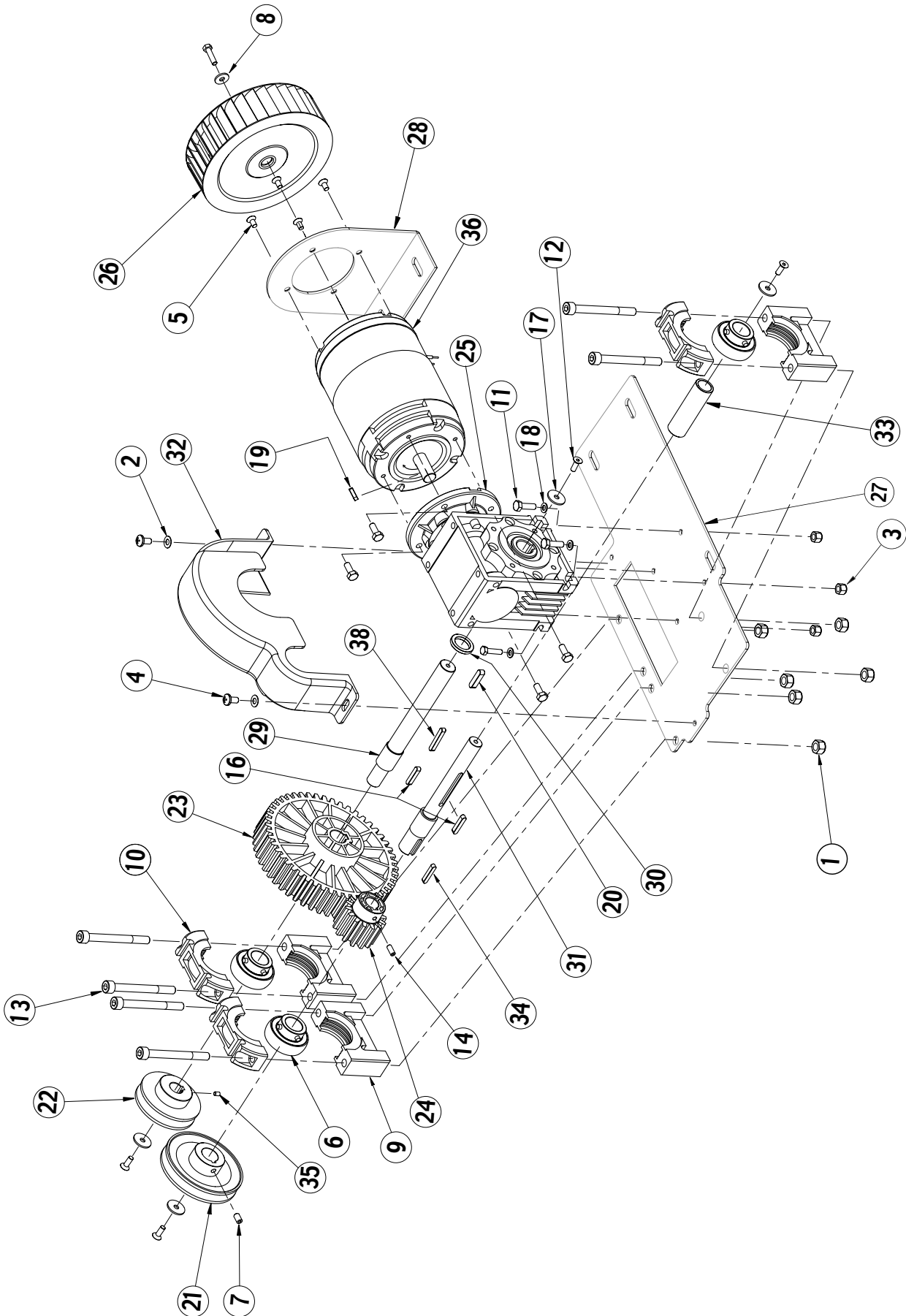
2003-12	TRANSMISSION SYSTEM		
	Terra 132B		13

Item	Ref. No.	Qty	Descrizione	Description
1	xxxxxxx	3	Vite es. M8x16	Screw hex hd. M8x16
2	xxxxxxx	2	Dado es. autobl. M8	Nut hex selflocking M8
3	146 0150 00	1	Cinghia	Belt
4	145 0274 000	2	Molla	Spring
5	xxx xxxx xxx	2	Vite M8x20	Screw M8x20
6	xxx xxxx xxx	3	Vite M8x14	Screw M8x14
7	xxx xxxx xxx	3	Rondella el. spaccata	Washer
8	xxx xxxx xxx	1	Dado es. M6	Nut hex M6
9	145 5252 000	1	Cestello portabatterie	Battery container
10	146 0668 000	5	Pannello isolante	Insulating panel
11	xxx xxxx xxx	2	Vite es. M8x25	Screw hex hd M8x25
12	xxx xxxx xxx	7	Rondella piana	Washer flat
13	xxx xxxx xxx	1	Vite es. M6x20	Screw hex hd M6x20
14	146 0515 000	1	Distanziale	Spacer
15	146 0543 000	1	Staffa	Bracket
16	146 0807 000	1	Cinghia	Belt
17	146 0536 000	1	Piastra di supporto	Supporting plate
18	145 6133 000	2	Inserto	Insert
19	xxx xxxx xxx	3	Vite TSPEI M6x10	Screw M6x10
20	146 0690 000	1	Flangia guarnizione	Vacuum flange
21	146 0696 000	1	Guarnizione aspirazione	Vacuum gasket
[22]	146 0812 000	1	Kit viti aspirazione	Transmission System Hardware Kit (1,2,5,6,7,8,11,12,13,19)
[23]	146 0813 000	2	Kit tendicinghia	Belt Tensioner Assy Kit (see Belt tensioner Assembly)

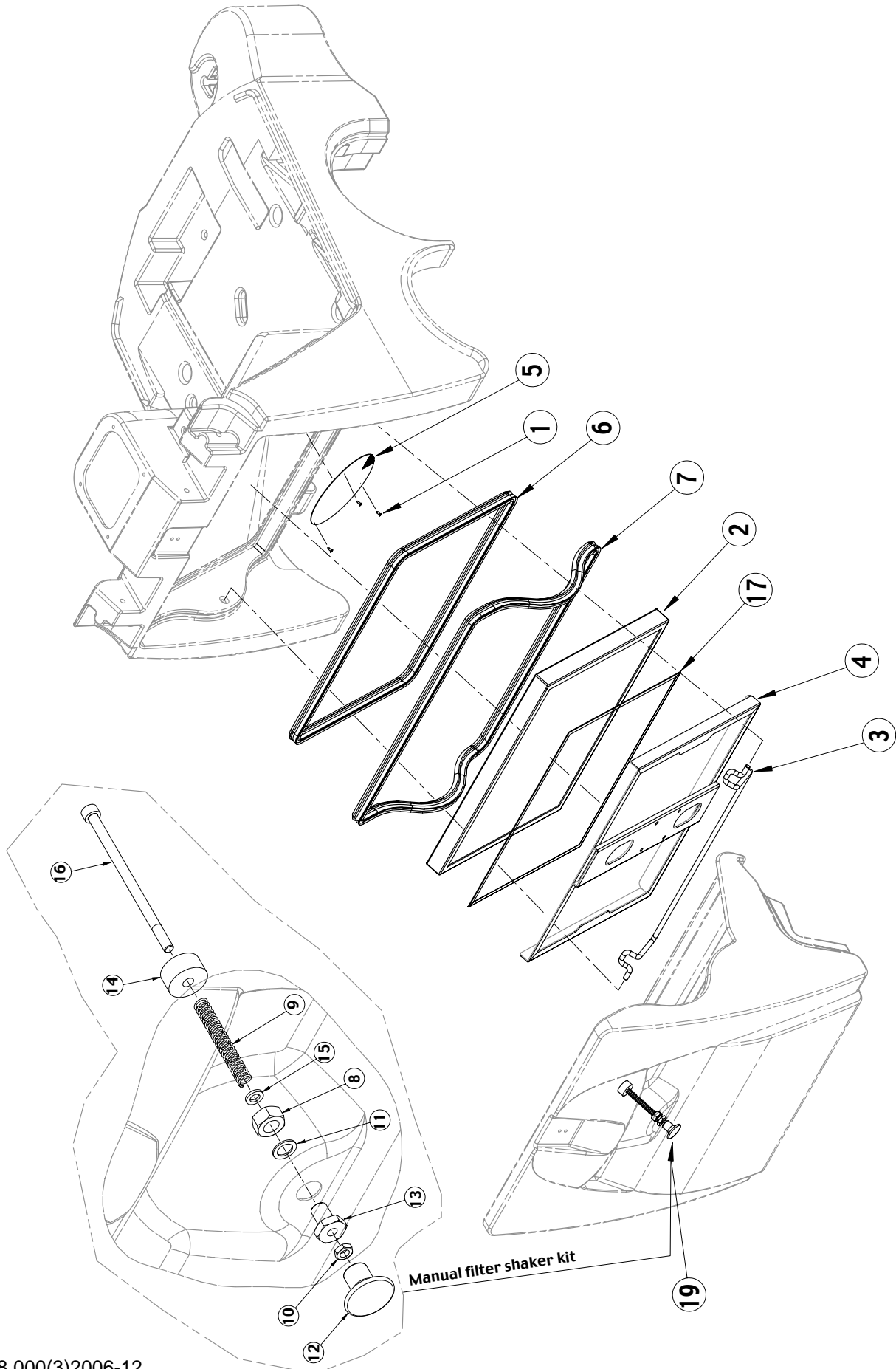


2003-12	BELT TENSIONER ASSEMBLY			
	Terra 132B			15

Item	Ref. No.	Qty	Descrizione	Description
1	xxx xxxx xxx	1	Rondella el. spaccata	Washer
2	xxx xxxx xxx	1	Vite M10x20	Screw M10x20
3	xxx xxxx xxx	1	Cuscinetto	Ball bearing
4	xxx xxxx xxx	1	Seeger	Seeger
5	xxx xxxx xxx	1	Rondella piana	Washer flat
6	xxx xxxx xxx	1	Braccio tendicinghia	Belt tensioner arm
7	xxx xxxx xxx	1	Distanziale	Spacer
8	xxx xxxx xxx	1	Boccola con flangia	Bearing with flange
9	xxx xxxx xxx	1	Rullo tendicinghia	Belt stretcher roller
10	xxxxxxx	1	Dado es. autobl. M8	Nut
11	xxx xxxx xxx	1	Vite M8x40	Screw M8x40
12	xxx xxxx xxx	1	Distanziale	Bushing
[13]	146 0813 000	1	Kit tendicinghia	Belt tensioner Assy kit (1,2,3,4,5,6,7,8,9,10,11,12)

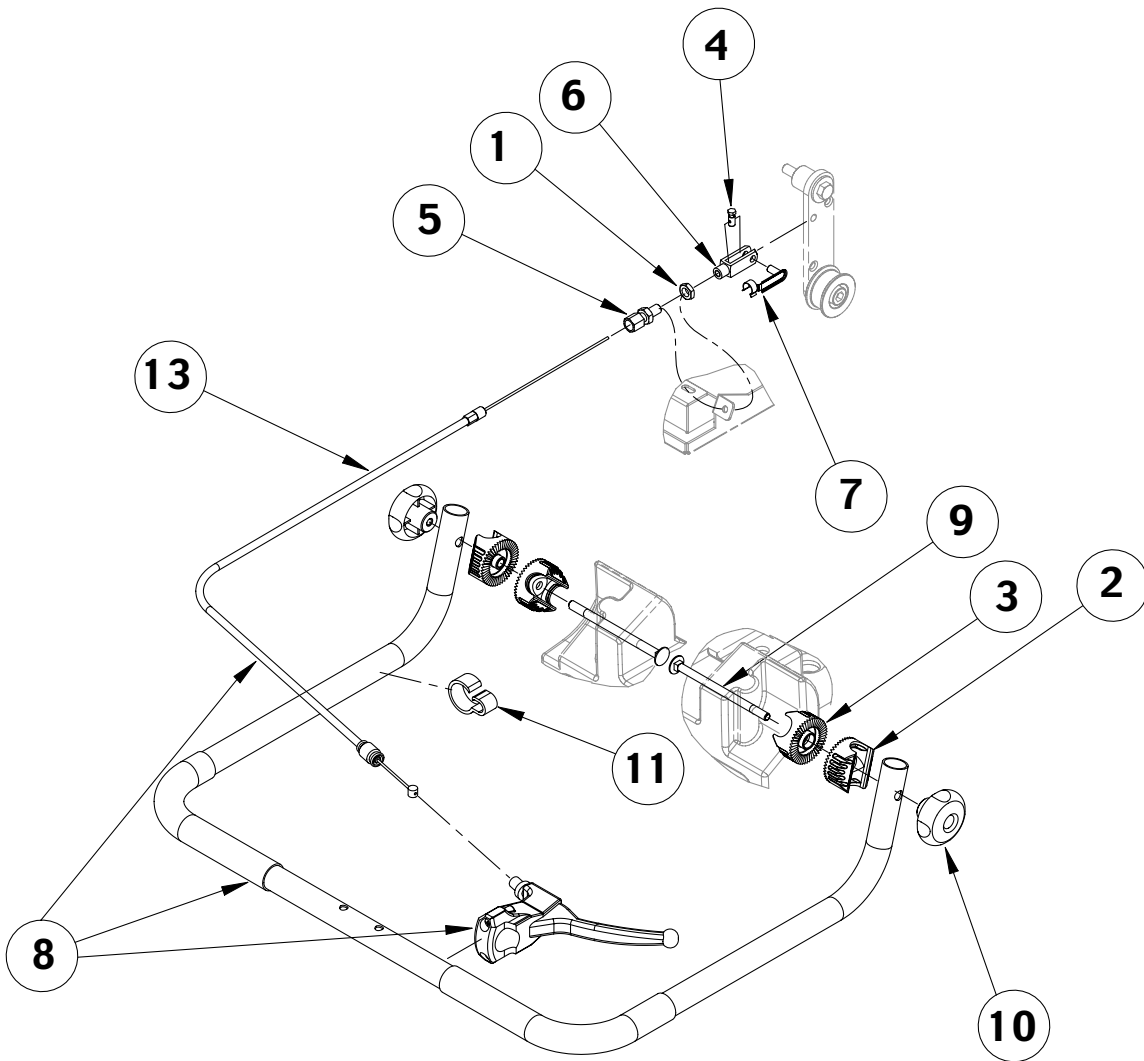


Item	Ref. No.	Qty	Descrizione	Description
1	xxxxxxx	6	Dado es. autobl. M8	Nut hex selflocking M8
2	xxxxxxx	2	Rondella piana	Washer flat
3	xxxxxxx	3	Dado es. autobl. M5	Nut hex selflocking M5
4	xxxxxxx	2	Vite M6x12	Screw M6x12
5	xxx xxxx xx	4	Vite M6x12	Screw M6x12
6	145 1123 000	3	Cuscinetto	Ball bearing
7	145 1228 000	1	Grano	Dowel
8	xxx xxxx xxx	1	Rondella piana	Washer flat
9	145 1976 000	3	Supporto cusc. inf.	Ball bearing supp.low.
10	145 1977 000	3	Supporto cusc. sup.	Ball bearing supp.upp.
11	xxx xxxx xxx	4	Vite es. M5x20	Screw hex M5x20
12	xxx xxxx xxx	4	Vite M5x14	Screw M5x14
13	xxx xxxx xxx	6	Vite M8x80	Screw M8x80
14	145 5913 000	1	Grano	Dowel
16	145 8024 000	2	Linguetta	Tab
17	xxx xxxx xxx	4	Rondella piana	Washer flat
18	xxx xxxx xxx	3	Rondella piana	Washer flat
19	145 9774 000	1	Chiavetta	Key
20	145 9899 000	1	Linguetta	Tab
21	146 0514 000	1	Puleggia	Pulley
22	146 0516 000	1	Puleggia	Pulley
23	146 0523 000	1	Ingranaggio	Gear
24	146 0524 000	1	Ingranaggio	Gear
25	146 0530 000	1	Riduttore compl.	Reduction gear cpl.
26	146 0689 000	1	Ventola a pale	Fan
27	146 0538 000	1	Piastra di supporto	Supporting plate
28	146 0539 000	1	Staffa motore elettr.	Bracket electric motor
29	146 0540 000	1	Albero trasmissione	Transmission shaft
30	146 0541 000	1	Distanziale	Bushing
31	146 0542 000	1	Albero spazzola centr.	Main broom shaft
32	146 0605 000	1	Coperchio ingranaggi	Gear cover
33	146 0616 000	1	Distanziale	Spacer
34	146 0619 000	1	Chiavetta	Key
35	146 0621 000	1	Grano	Dowel
36	146 0531 000	1	Motore elettr.600W	Electric motor 600W
[37]	145 5042 000	4	Carboncino (per 146 0531 000)	Carbon brush (for 146 0531 000)
38	146 0769 000	1	Linguetta	Key
[39]	146 0814 000	1	Kit viti motoriduttore	Reduction Motor Assy Hardware Kit (1,2,3,4,5,8,11,12,13,17,18)



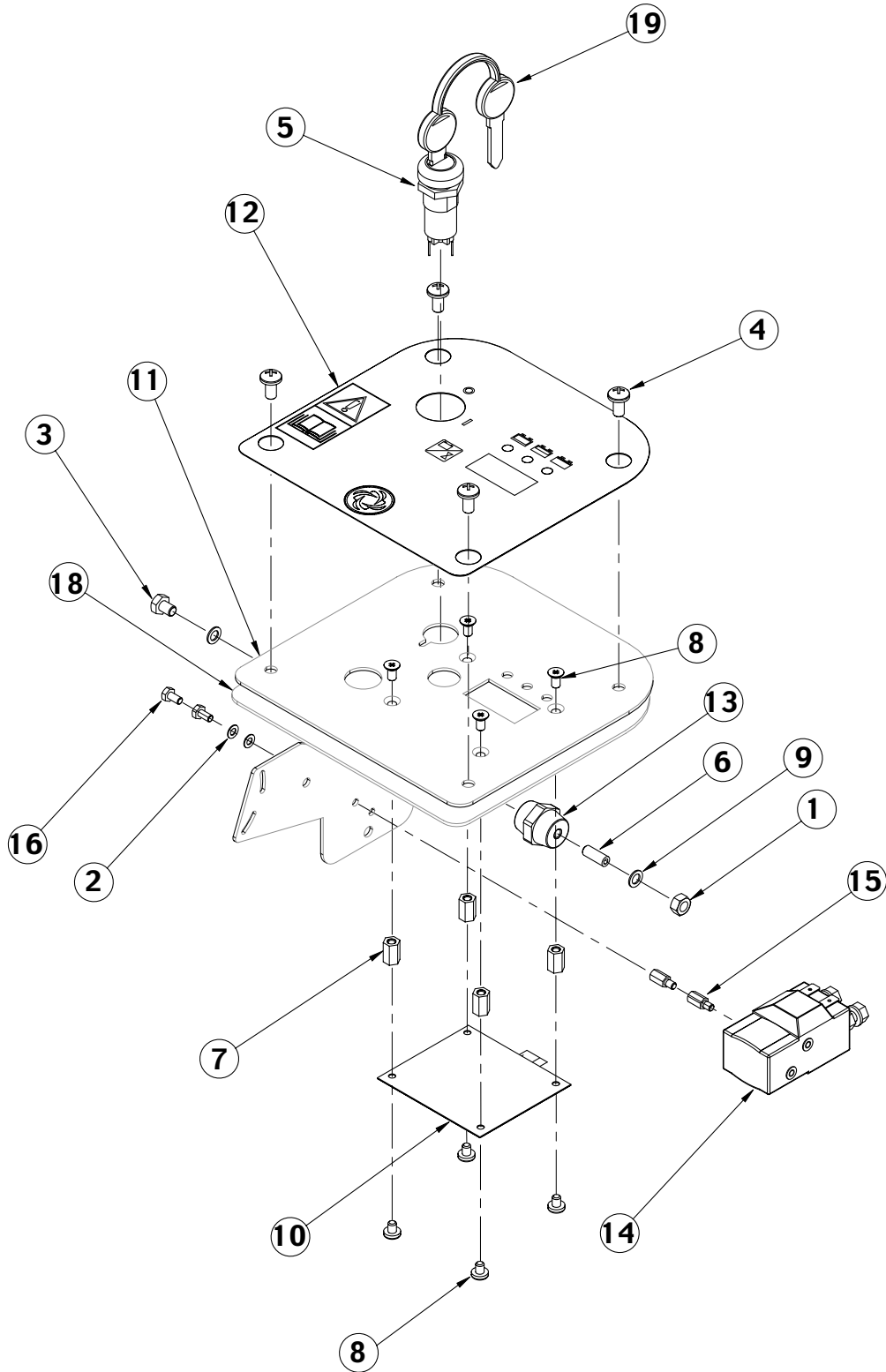
2003-12	DUST CONTROL SYSTEM		
	Terra 132B With manual filter shaker		19

Item	Ref. No.	Qty	Descrizione	Description
1	xxx xxxx xxx	3	Vite autof.M4x12	Screw thd form M4x12
2	145 4806 000	1	Filtro in carta std	Paper filter std
2	146 0368 000*	1	Filtro poliestere	Poliester filter
2	145 4746 000*	1	Filtro poliestere BIA	Poliester filter BIA
3	146 0573 000	1	Aggancio filtro	Filter hook
4	146 0574 000	1	Telaio fissafiltro	Filter frame
5	146 0607 000	1	Protezione ventola	Fan protection
6	146 0629 000	1	Guarnizione filtro	Filter gasket
7	146 0741 000	1	Guarnizione cassetto	Hopper gasket
8	xxxxxxx	1	Dado es. M10	Nut hex M10
9	xxx xxxx xxx	1	Molla	Spring
10	xxx xxxx xxx	1	Dado es. M6	Nut hex M6
11	xxx xxxx xxx	1	Rondella dentata	Washer
12	xxx xxxx xxx	1	Pomolo M6	Knob M6
13	xxx xxxx xxx	1	Guida per scuotifiltro	Filter shaker bushing
14	xxx xxxx xxx	1	Martello scuotifiltro	Filter haker mass
15	xxx xxxx xxx	1	Rondella piana	Washer flat
16	xxx xxxx xxx	1	Vite M6x110	Screw M6x110
17	146 0782 000	1	Pre-filtro	Pre-filter
[18]	146 0663 000*	1	Kit scuotifiltro elettrico	Electric filter shaker kit
[19]	146 0819 000	1	Kit scuotifiltro manuale	Manual filter shaker kit (8,9,10,11,12,13,14,15,16)
[20]	146 1085 000	1	Kit bulloneria varia	Miscellaneous Hardware Kit [2 (pg.11), 1 (pg.19), 1,9 (pg. 21), 1,2,3 (pg.31)]



2003-12	HANDLE SYSTEM		
	Terra 132B		21

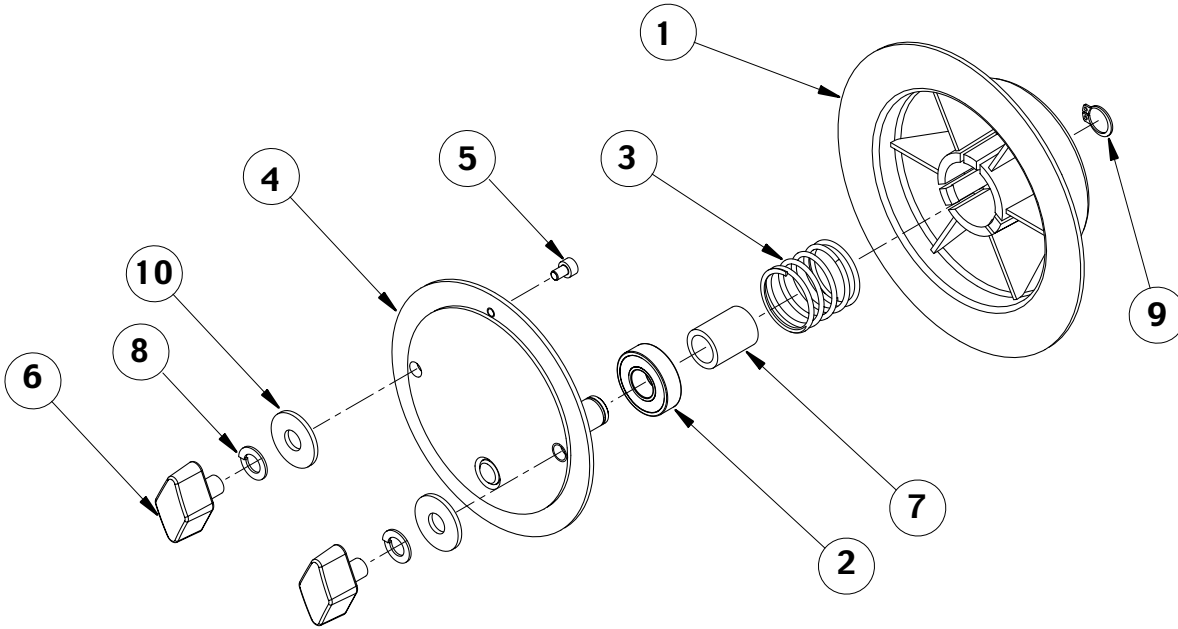
Item	Ref. No.	Qty	Descrizione	Description
1	xxxxxxx	1	Dado es. M8	Nut
2	56264118	2	Margherita	Ratchet
3	56264123	2	Margherita	Ratchet
4	145 8110 000	1	Morsetto fissacavo	Clamp
5	145 9283 000	1	Registro	Adjuster
6	145 9409 000	1	Forcella	Fork
7	145 9410 000	1	Clips	Clips
8	146 0734 000	1	Manubrio completo	Handle complete (includes 146 1172 000)
9	xxx xxxx xxx	2	Vite 8x130	Screw 8x130
10	146 0535 000	2	Volantino	Knob
11	146 0763 000	1	Ferma cavo	Cable locking
[12]	146 1085 000	1	Kit bulloneria varia	Miscellaneous Hardware Kit [2 (pg.11), 1 (pg.19), 1,9 (pg. 21), 1,2,3 (pg.31)]
13	146 0736 000	1	Cavo trazione (prima della matr.1664801)	Cable, traction (before serial number 1664801)
13	146 1172 000	1	Cavo trazione (dalla matr.1664801)	Cable, traction (starting from serial number 1664801)



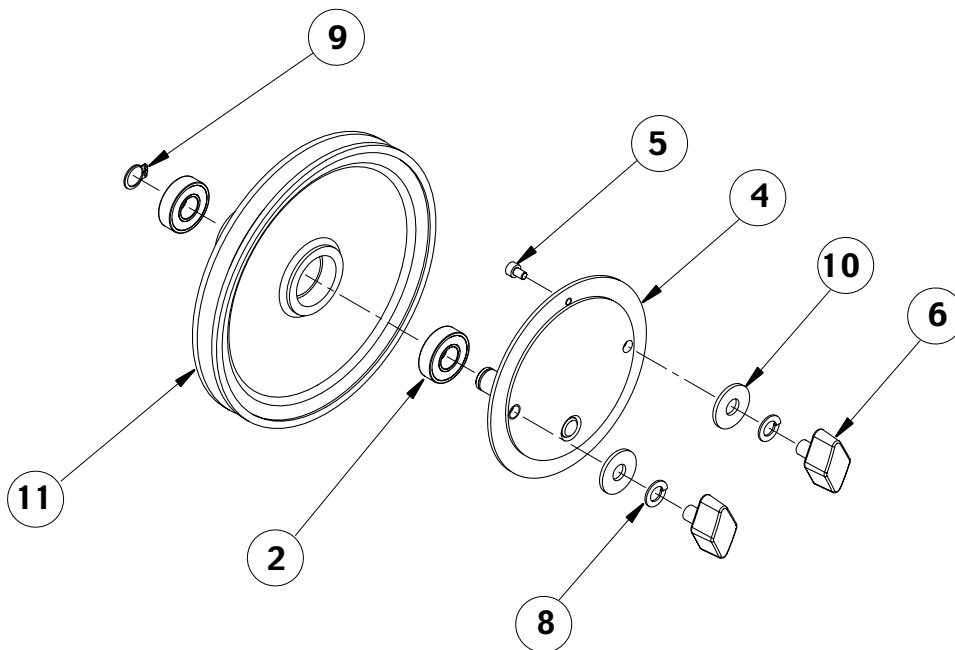
2003-12	CONTROL PANEL ASSEMBLY		
	Terra 132B		23

Item	Ref. No.	Qty	Descrizione	Description
1	xxxxxxx	1	Dado es. M6	Nut
2	xxxxxxx	2	Rondella dentata	Washer
3	xxxxxxx	1	Vite M6x10	Screw M6x10
4	xxxxxxx	4	Vite M6x12	Screw M6x12
5	145 0372 000	1	Interruttore con 2 chiavi	Key switch (w/ 2 Keys)
6	146 1678 000	1	Grano	Dowel
7	146 0657 000	4	Distanziale es.plastica	Spacer hex. plastic
8	xxx xxxx xxx	8	Vite M4x8	Screw M4x8
9	xxx xxxx xxx	2	Rondella spaccata	Washer
10	146 0570 000	1	Scheda elettronica	Electronic card
11	146 0576 000	1	Plancia	Control panel
12	146 0584 000	1	Serigrafia plancia	Control panel decal
13	146 0708 000	1	Isolatore bianco M6	Insulator
14	146 0626 000	1	Teleruttore	Electromagnetic switch
15	xxx xxxx xxx	2	Distanziale	Spacer
16	xxx xxxx xxx	2	Vite M4x8	Screw M4x8
18	146 0697 000	1	Guarnizione	Gasket
19	146 0806 000	1	Chiavi di ricambio (pz.2) (per 145 0372 000)	Key (pcs.2) (for 145 0372 000)
[20]	146 0815 000	1	Kit viti pan. di controllo	Control Panel Assy Hardware Kit (1,2,3,4,8,9,15,16)

12 Left Hub Assembly Kit

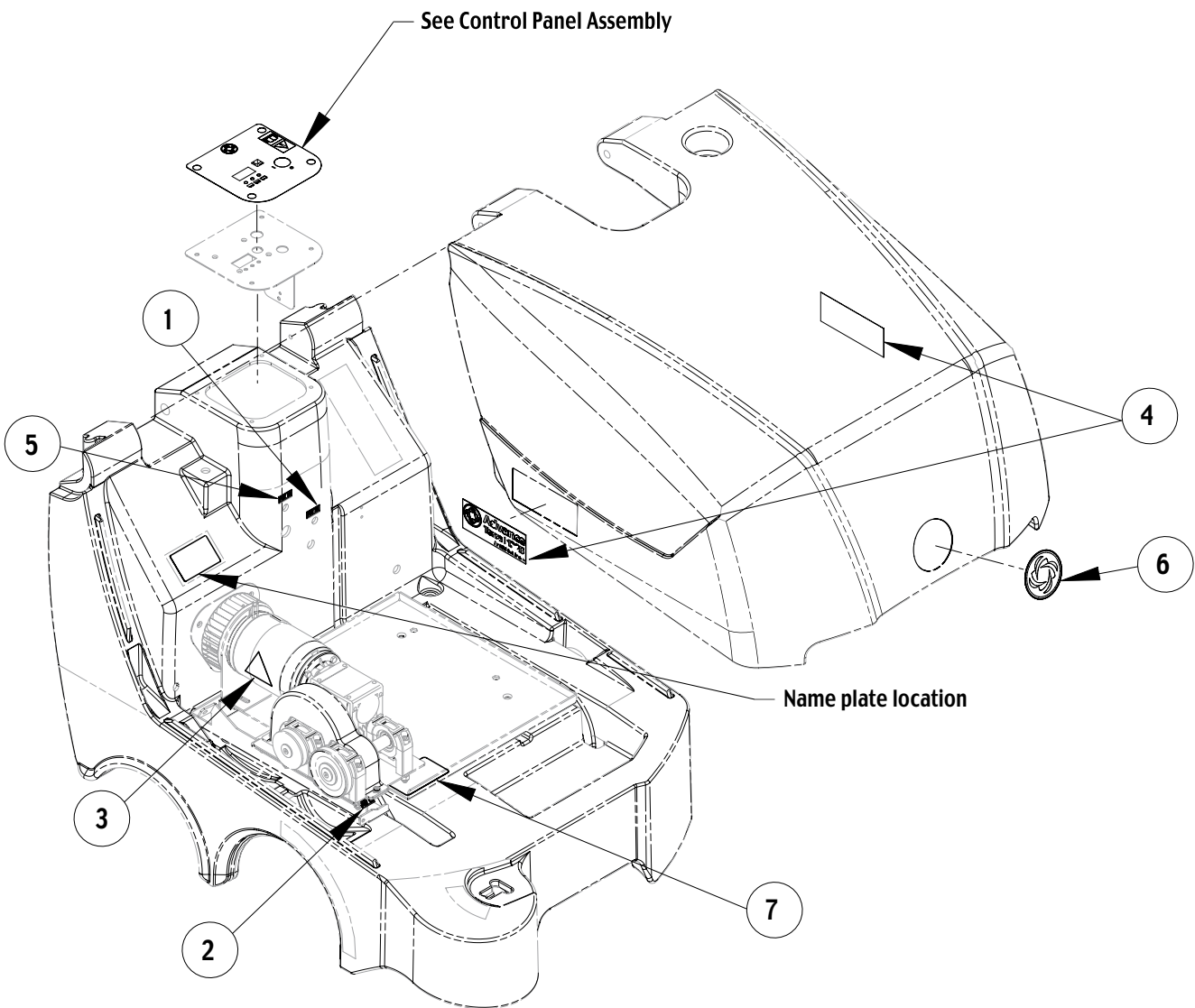


13 Right Hub Assembly Kit



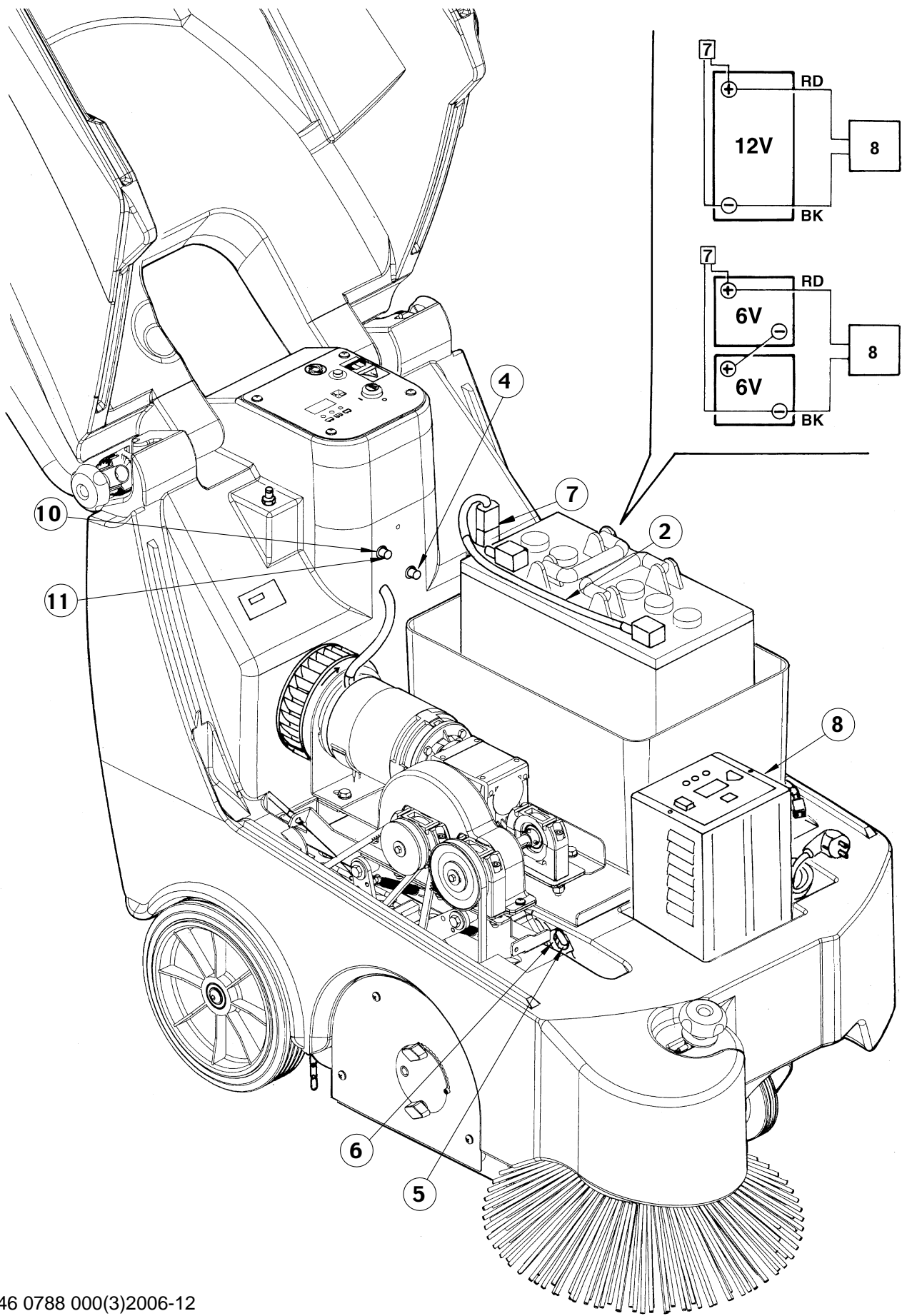
2003-12	RIGHT-LEFT HUB ASSEMBLIES			
	Terra 132B			25

Item	Ref. No.	Qty	Descrizione	Description
1	xxx xxxx xxx	1	Mozzo sx spaz. centr.	Left hub
2	xxx xxxx xxx	3	Cuscinetto	Ball bearing
3	xxx xxxx xxx	1	Molla comando traz.	Spring
4	xxx xxxx xxx	2	Perno	Pin
5	xxx xxxx xxx	2	Vite es. M4x6	Screw hex hd M4x6
6	xxx xxxx xxx	4	Volantino	Knob
7	xxx xxxx xxx	1	Distanziale	Spacer
8	xxx xxxx xxx	4	Rondelle el. spaccate	Washer
9	xxx xxxx xxx	2	Anello di sicurezza	Retaining ring
10	xxx xxxx xxx	4	Rondella piana	Washer flat
11	xxx xxxx xxx	1	Puleggia spaz. centr.	Pulley
12	146 0818 000	1	Kit Mozzo sx	Left Hub Assy Kit (1,2,3,4,5,6,7,8,9,10)
13	146 0817 000	1	Kit Mozzo dx	Right Hub Assy Kit (2,4,5,6,8,9,10,11)



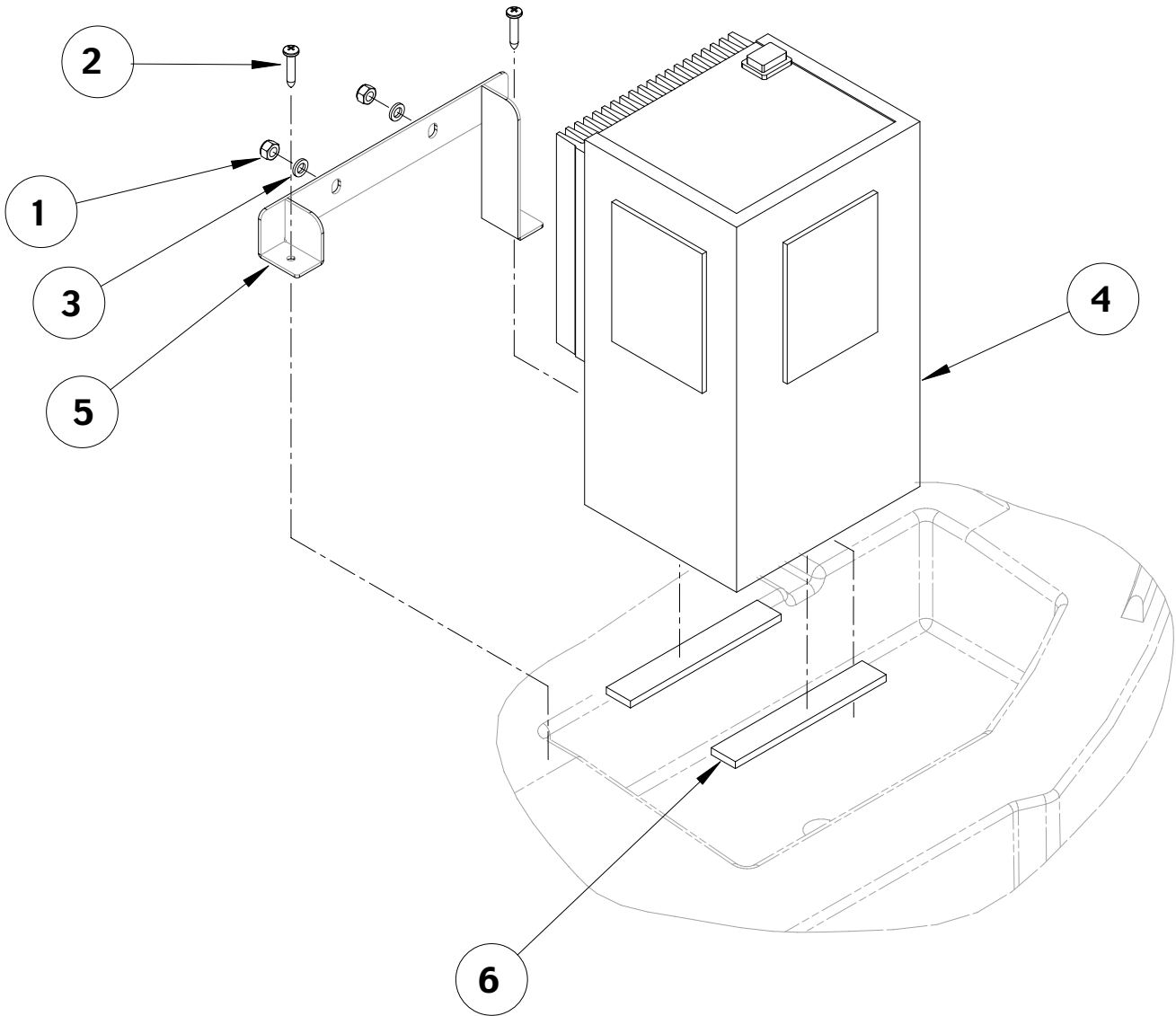
2003-12	DECALS		
2006-12	Terra 132B		27

Item	Ref. No.	Qty	Descrizione	Description
1	145 0578 000	1	Adesivo fusibile 60A (prima della matr. 1664872)	Label fuse 60A (before serial number 1664872)
1	146 1201 000	1	Adesivo fusibile 70A (dalla matr. 1664872)	Label circuit breaker 70A (starting from serial number 1664872)
2	145 1355 000	1	Adesivo fusibile 15A	Label fuse 15A
3	145 1431 000	1	Ad. organi in movimento	Label of moving parts
4	146 0745 000	2	Adesivo Avance Terra 132B	Label Advance Terra 132B
5	145 0577 000	1	Adesivo fusibile 10A	Label fuse 10A
6#	L08812933	1	Adesivo logo	Label logo
7	146 0832 000	1	Adesivo materiale di usura	Label wear parts



2003-12	ELECTRICAL PARTS	BOOK F	
	Terra 132B		29

Item	Ref. No.	Qty	Descrizione	Description
[1]	146 0598 000	1	Cablaggio macchina	Machine wiring
2	146 0599 000	1	Cablaggio batteria	Battery wiring
[3]	146 0659 000	1	Supporto fusibile princ.	Main fuse holder
4	146 0571 000	2	Fusibile 60A	Main fuse 60A
			(prima della matr.1664872)	(before serial number 1664872)
4	146 1200 000	1	Fusibile ripristinante 70A (dalla matr.1664872)	Circuit breaker 70A (starting from serial number 1664872)
5	146 0660 000	1	Supporto fus. spaz. lat.	Side brush fuse holder
6	145 9853 000	1	Fusibile 15A	Fuse 15A
7	146 0747 000	2	Connettore	Power connector
8	146 0670 000	1	Caricabatt.12V 20A-110V	Battery charger 12V 20A - 110V
[9]	145 3735 000	1	Connessione caricab.	Charger connection
10	146 0716 000	1	Portafusibile segnale	Fuse holder
11	145 1726 000	1	Fusibile 10A	Fuse 10A



Item	Ref. No.	Qty	Descrizione	Description
1	xxxxxxx	2	Dado e. basso autobl.M6	Nut, selflocking M6
2	xxx xxxx xxx	2	Vite 4,8x25 autofil.	Screw 4x8 thd form
3	xxx xxxx xxx	2	Rondella piana 6x12,5	Washer flat 6x12,5
4	146 0670 000	1	Caricabat.12V 20A-110V	Battery charger 12V 20A-110V
5	146 0655 000	1	Staffa caricabatteria	Bracket
6	146 0656 000	2	Guarnizione adesiva	Seal
[7]	146 1085 000	1	Kit bulloneria varia	Miscellaneous Hardware Kit [2 (pg.11), 1 (pg.19), 1,9 (pg. 21), 1,2,3 (pg.31)]

CBSW2 NA 12V 20A IU/A Wet / Gel

CBSW2 NA battery charger has a diagram block described on the figure below. (Fig.1)

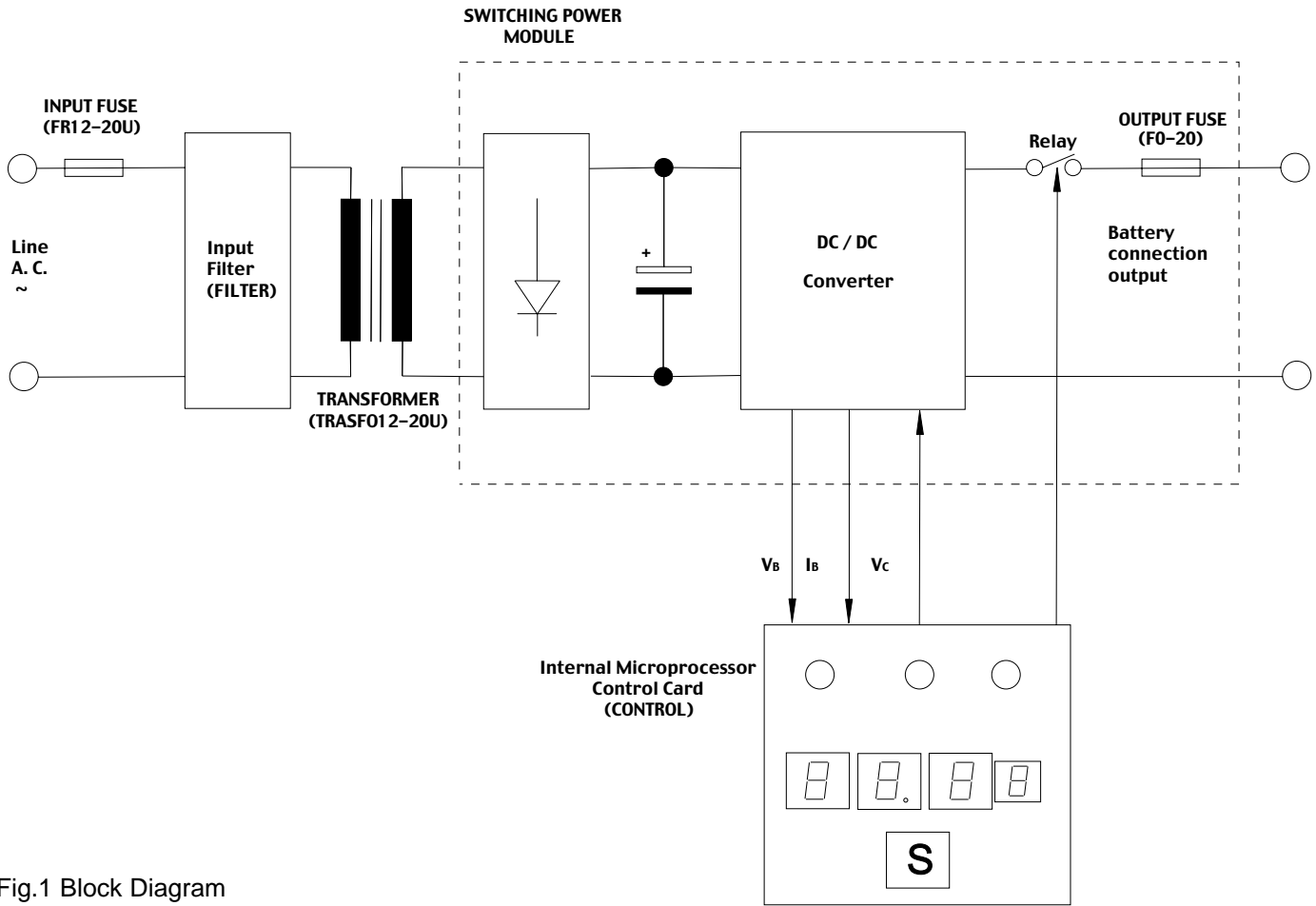


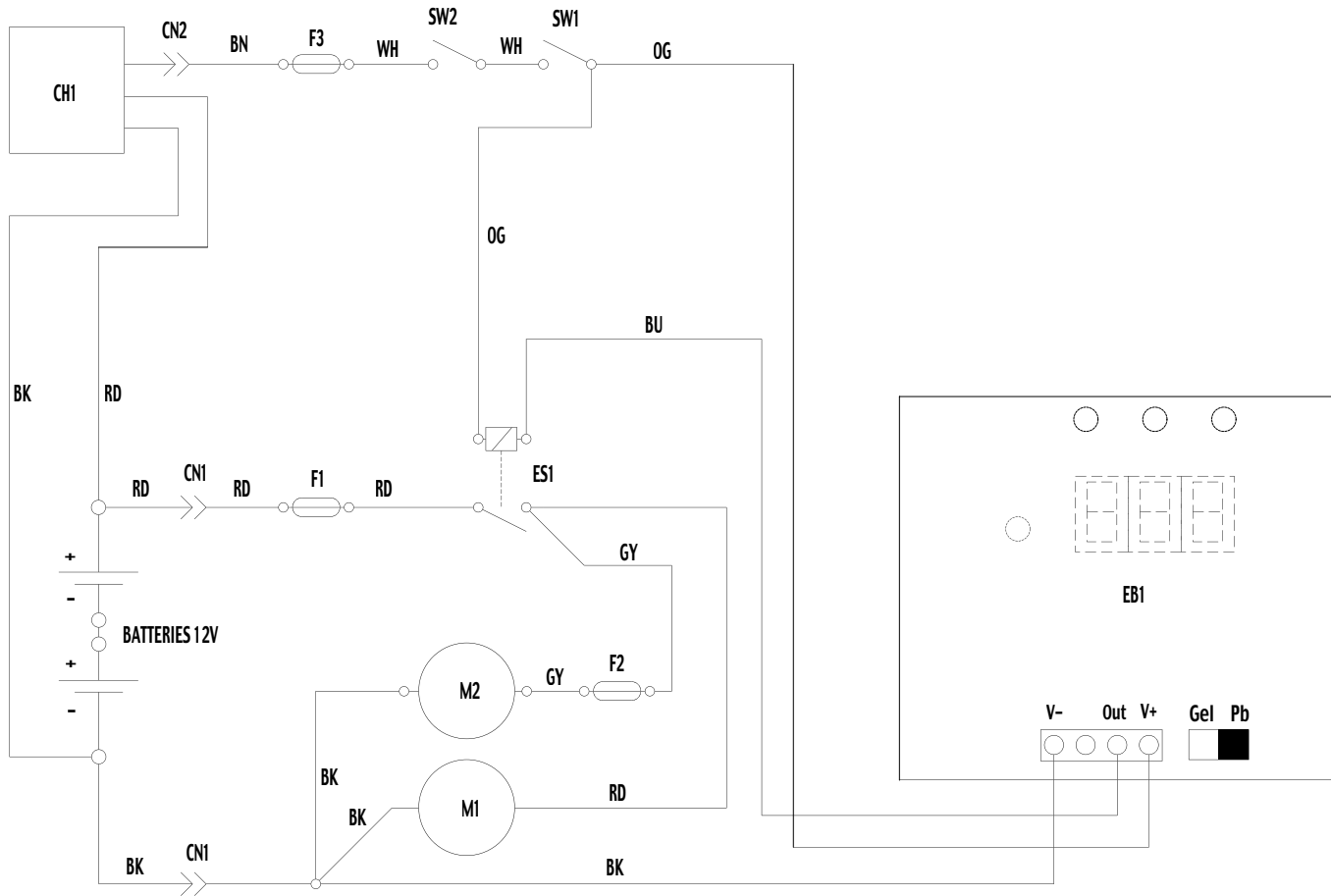
Fig.1 Block Diagram

The Switching Power Module (PWMOD12-20) rectifies the transformer voltage and it also makes a DC/DC conversion. The output of the DC/DC converter is connected to the battery to be charged. The value of charging current depends on the control signal (V_c) that is provided by the Microprocessor Internal Control Card (CONTROL). V_c is related to the actual values of the battery voltage (V_b) and battery current (I_b) that are inputs of the control card.

The Internal Microprocessor Control Card controls the charging process with the particular charging curve set by the dipswitch configuration and displays the most important parameters of the charging cycle.

AVAILABLE SPARE PARTS

DESCRIPTION	NILFISK-ADVANCE PART NO.	QUANTITY	DIAGRAM REFERENCE
8 Amp input fuse	145 1724 000	1	FR12-20U
32 Amp output fuse	146 0795 000	1	FO-20
1 Amp control fuse	146 0794 000	1	not shown
Transformer	146 0796 000	1	TRASFO12-20U
Control Card	146 0797 000	1	CONTROL
Input filter	146 0798 000	1	FILTER
Power cable	146 0799 000	1	not shown
Fan	146 0800 000	1	not shown
Wet/Gel switch	146 0801 000	1	not shown



COLORS CODES		
BK	BLACK	nero
BU	BLUE	azzurro
BN	BROWN	marrone
GN	GREEN	verde
GY	GREY	grigio
OG	ORANGE	arancio
PK	PINK	rosa
RD	RED	rosso
VT	VIOLET	viola
WH	WHITE	bianco
YE	YELLOW	giallo

COMPONENTS		
CH1	BATTERY CHARGER	146 0670 000
CN1	BATTERY CONNECTOR	146 0747 000
CN2	CHARGER CONNECTOR	[145 3735 000]
EB1	ELECTRONIC BOARD	146 0570 000
ES1	ELECTROMAGNETIC SWITCH	146 0626 000
F1	CIRCUIT BREAKER 70A	146 1200 000 from serial no.1664872
F1	MAIN FUSE 60A	[146 0571 000] before serial no.1664872
F2	SIDE BRUSH FUSE (15A)	145 9853 000
F3	SIGNAL FUSE (10A)	145 1726 000
M1	MAIN MOTOR(Traction main broom)	146 0531 000
M2	EXT BRUSH MOTOR	146 0532 000
SW1	KEY SWITCH	145 0372 000
SW2	HOOD SAFETY SWITCH	146 0565 000

2003-12	RECOMMENDED SPARE PARTS		
	Terra 132B		34

Item	Ref. No.	Qty	Descrizione	Description
------	----------	-----	-------------	-------------

WEAR PARTS

1	145 4806 000	1	Filtro standard	Filter paper std
2	146 0743 000	1	Flap posteriore antitraccia standard	Rear skirt non marking std
3	146 0587 000	2	Flap laterale antitraccia dx-sx standard	Side skirt non marking left/ right std
4	146 0752 000	1	Spazzola centrale std ø 245 mm nylon standard	Main broom std ø 245 mm nylon std
5	146 0571 000	1	Fusibile 60A (prima della matr.1664872)	Fuse 60A (before serial number1664872)
5	146 1200 000	1	Fusibile 70A (dalla matr.1664872)	Fuse 70A (from serial number 1664872)
6	145 9853 000	1	Fusibile 15A	Fuse 15A
7	146 0678 000	1	Spazzola laterale nylon ø180x347 standard	Side broom nylon ø180x347 std
8	146 0756 000	1	Flap anteriore morbido standard	Front skirt soft std
9	145 1726 000	1	Fusibile 10A	Fuse 10A

ORDINARY MAINTENANCE

8	145 0274 000	2	Molla tendicinghia	Belt tension spring
9	146 0150 00	1	Cinghia spazzola centrale	Main broom belt
10	146 0807 000	1	Cinghia trazione	Drive belt
11	146 0519 000	1	Mozzo spazzola laterale	Side broom hub
12	145 5042 000	4	Spazzole motore elettrico di comando	Electric drive motor carbon brushes

EXTRAORDINARY MAINTENANCE

13	146 0513 000	1	Ruota posteriore destra	Rear wheel right
14	146 0518 000	1	Ruota posteriore sinistra	Rear wheel left
15	146 0755 000	1	Cavo alzaflap con leva	Skirt lifting cable w/lever
16	146 0532 000	1	Motoriduttore spazzola laterale	Side broom motor gear box
17	146 0626 000	1	Teleruttore	Solenoid contactor
18	146 0570 000	1	Scheda elettronica display	Electronic board display
19	146 0565 000	1	Micrinterruttore cofano	Hood switch
20	145 0270 000	3	Cuscinetto spazzola centrale	Ball bearing main broom
21	145 1123 000	3	Cuscinetto gruppo trasmissione	Ball bearing transmission
22	145 9186 000	2	Cuscinetto per tendicinghia	Ball bearing belt tensioner
23	146 0629 000	1	Guarnizione filtro	Filter gasket
24	146 0741 000	1	Guarnizione cassetto rifiuti	Hopper gasket
25	146 0806 000	1	Chiavi di ricambio 2 pz.(per 145 0372 000)	Keys 2 pcs.(for 145 0372 000)
26	146 0736 000	1	Cavo trazione (prima della matricola 1664801)	Cable, traction(before serial number 1664801)
26	146 1172 000	1	Cavo trazione (dalla matricola 1664801)	Cable, traction (from serial number 1664801)

OPTIONS

	146 0738 000	2	Flap anteriore/ posteriore più rigido	Skirt front/ rear stiffer type
	146 0742 000	1	Flap anteriore antitraccia	Skirt front non marking
	146 0555 000	1	Flap laterale dx/ sx	Skirt side right / left
	146 0743 000	1	Flap posteriore antitraccia	Skirt rear non marking
	146 0569 000	1	Ruota pivoettante con freno	Locking front castor wheel
	146 0368 000	1	Filtro in poliestere antistatico	Polyester filter - antistatic
	145 4746 000	1	Filtro in poliestere BIA C approvato	Polyester filter - BIA C approved
	146 0750 000	1	Spazzola centrale ø265x600 misto acciaio	Main broom steel mix ø265x600
	146 0748 000	1	Spazzola centrale ø265x600 PPL	Main broom PPL ø265x600
	146 0749 000	1	Spazzola centrale ø265x600 saggina	Main broom natural fibre ø265x600
	146 0753 000	1	Spazzola centrale ø245x600 saggina	Main broom natural fibre ø245x600
	146 0751 000	1	Spazzola centrale ø245x600 PPL	Main broom PPL ø245x600
	145 4959 000	1	Spazzola laterale ø180x420 misto acciaio	Side broom steel mix ø180x420
	145 4976 000	1	Spazzola laterale ø180x420 saggina	Side broom natural fibre ø180x420
	145 1899 000	1	Spazzola laterale ø180x420 PPL	Side broom PPL ø180x420
	146 0663 000	1	Kit scuotifiltro elettrico	Electric filter shaker kit



**Nilfisk
Advance**

setting standards

Nilfisk-Advance, Inc.

14600 21st Avenue North
Plymouth, MN, 55447-3408

www.nilfisk-advance.com

Phone: 800-989-2235

Fax: 800-989-6566

©2004 Nilfisk-Advance, Inc.,
Plymouth, MN 55447-3408

Printed in Italy