



SPARE PART LIST

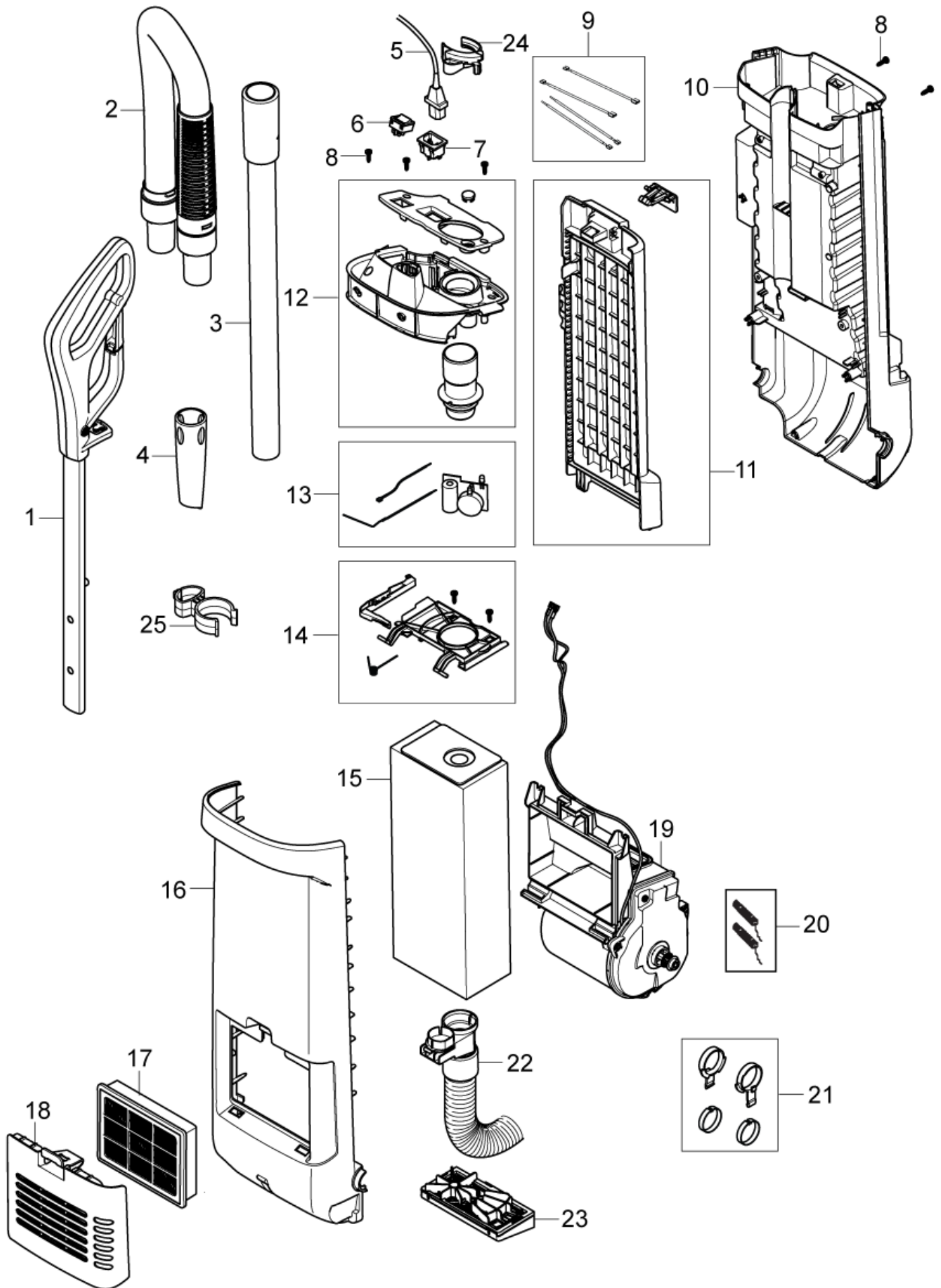
VU500 12 INCH SMU US

VU500 15 INCH SMU US

”

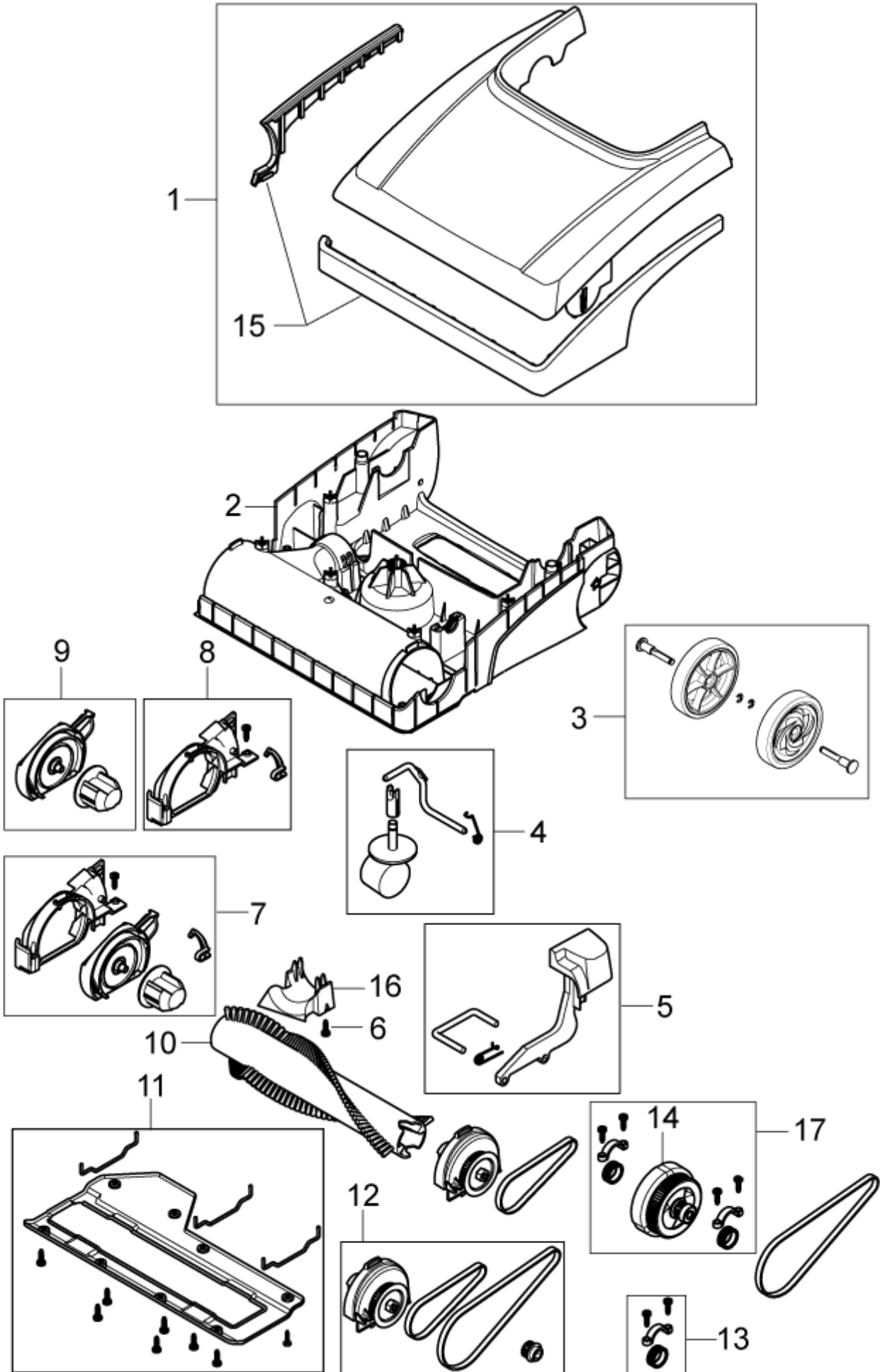
Model : 97765 VU500 (US)

Drawing : VU50001 Body



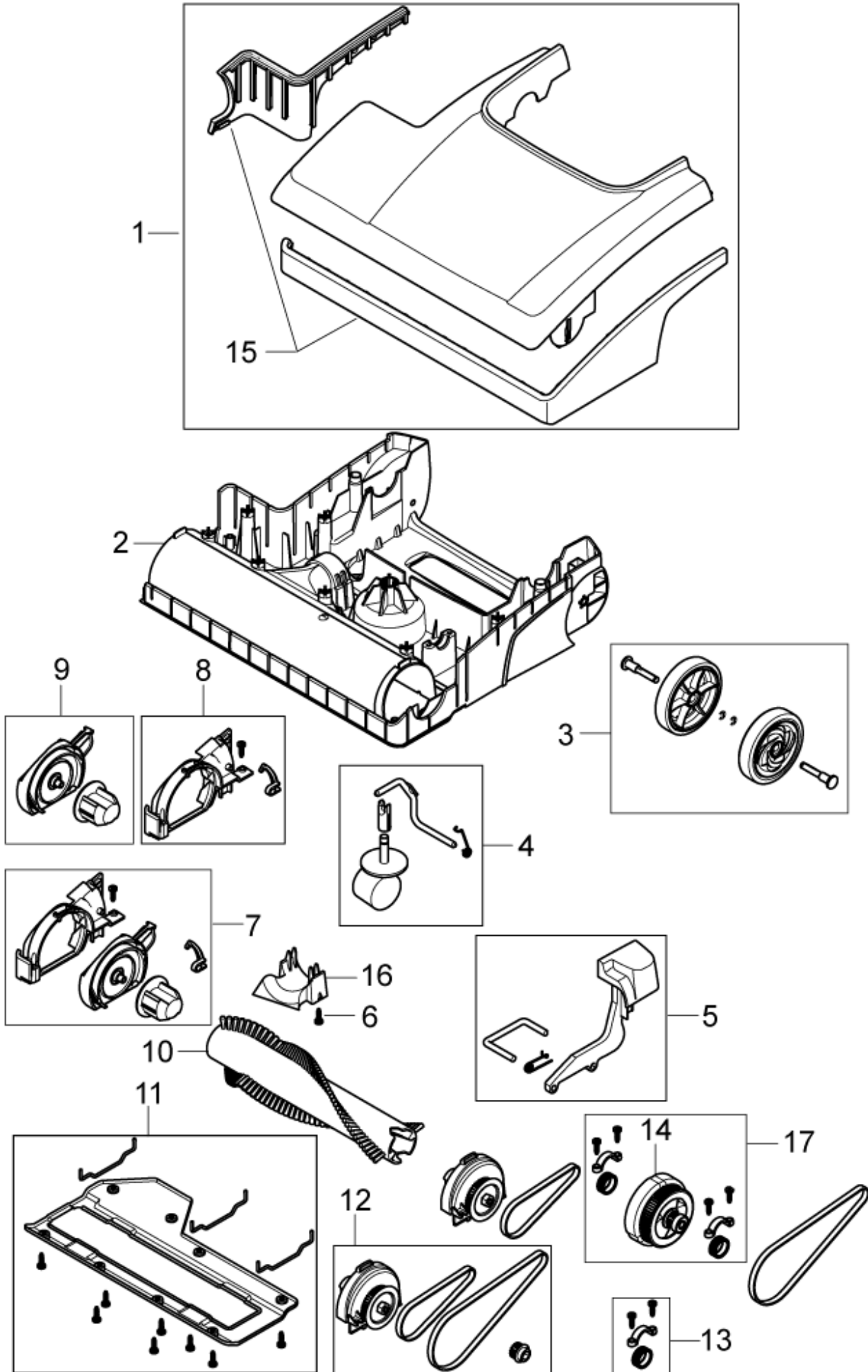
IA	Pos. no.	Qty.	Item no.	Item Text
	01	1	107407581	HANDLE , COMPLETE
	02	1	147 0950 500	HOSE STRETCHABLE
	03	1	147 0851 500	EXTENSION TUBE 35MM
	04	1	147 1203 500	CREVICE NOZZLE 35
	05	1	107407582	DETACHABLE CORD, 33FT
	05	1	107407713	DETACHABLE CORD, 50FT
	06	1	140 5496 510	SWITCH UL KIT
	07	1	107407583	PLUG SOCKET
	08	1	140 9214 040	SCREW PTK TORX 40X14 MM FZB
	09	1	107407590	INTERNAL WIRE KIT
	10	1	107407584	COVER BODY, REAR
	11	1	107407585	LID, COMPLETE
	12	1	107407586	COVER TOP KIT
	13	1	147 0987 500	BAG FULL DEVICE
	14	1	147 0854 500	HOLDER DUST BAG KIT
	15	1	107407587	DUST FILTER BAG
	16	1	107407588	COVER BODY, FRONT
	17	1	147 1250 600	HEPA-FILTER. H13
	18	1	107407589	COVER EXHAUST
	19	1	147 0864 510	MOTOR CASSETTE 110-120V
	20	1	147 1326 500	CARBON BRUSH KIT
	21	1	147 0927 500	JOINT BASE TO BODY W RING
	22	1	147 0919 500	ADAPTER BASE TO TUBE W.HOSE
	23	1	147 0958 500	HOLDER PRE FILTER KIT
	24	1	107407717	UPPER WAND CLIP
	25	1	107407699	ACCESSORY TOOL CLIP KIT

Model : 97765 VU500 (US)  
Drawing : VU50003 Base 12"



IA	Pos. no.	Qty.	Item no.	Item Text
	01	1	107407569	COVER ,BASE 12"
	02	1	107407571	CHASSIS 12"
	03	1	147 0898 500	WHEEL KIT
	04	1	107407573	CASTER KIT
	05	1	107407574	PEDAL WITH SHAFT AND SPRING
	06	1	140 9214 040	SCREW PTK TORX 40X14 MM FZB
	07	1	107407575	BRUSH COVER AND FRAME, COMPLETE
	08	1	107407576	BRUSH FRAME WITH CLIP
	09	1	107407577	BRUSH COVER WITH BEARING
	10	1	107407697	12" BRUSH FOR VU500, RED
	11	1	107407578	BRUSH SHOE KIT,12"/305
	12	1	107407698	BEARING BLOCK WITH BELTS AND DRIVE PULLEY
	13	1	107407580	CLAMP AND GASKET KIT
	14	1	147 0913 500	S/B CLUTCH WITH BEARINGS
	15	1	107407718	BUMPER, 12"
	16	1	107407723	LOWER HOSE CLAMP
	17	1	107407722	CLUTCH ASSEMBLY ,COMPLETE

Model : 97765 VU500 (US)  
Drawing : VU50005 Base 15"



IA	Pos. no.	Qty.	Item no.	Item Text
	01	1	107407570	COVER ,BASE 15"
	02	1	107407572	CHASSIS 15"
	03	1	147 0898 500	WHEEL KIT
	04	1	107407573	CASTER KIT
	05	1	107407574	PEDAL WITH SHAFT AND SPRING
	06	1	140 9214 040	SCREW PTK TORX 40X14 MM FZB
	07	1	107407575	BURSH COVER AND FRAME ,COMPLETE
	08	1	107407576	BRUSH FRAME WITH CLIP
	09	1	107407577	BRUSH COVER WITH BEARING
	10	1	107408004	15" BRUSH FOR VU500 ,RED
	11	1	107407579	BRUSH SHOE KIT, 15"/355
	12	1	107407698	BEARING BLOCK WITH BELTS AND DRIVE PULLEY
	13	1	107407580	CLAMP AND GASKET KIT
	14	1	147 0913 500	S/B CLUTCH WITH BEARINGS
	15	1	107407719	BUMPER, 15"
	16	1	107407723	LOWER HOSE CLAMP
	17	1	107407722	CLUTCH ASSEMBLY, COMPLETE

USA  
Nilfisk-Advance Inc.  
14600 21st Avenue North  
Plymouth, MN 55447-3408  
Tel.: (763) 745 3500  
Fax : (763) 745 3718

Canada  
Nilfisk-Advance Canada  
240 Superior Boulevard Mississauga,  
ON L5T 2L2  
Tel.: 905-564-1149  
Fax: 905-564-1030



**Advance**

[www.advance-us.com](http://www.advance-us.com)