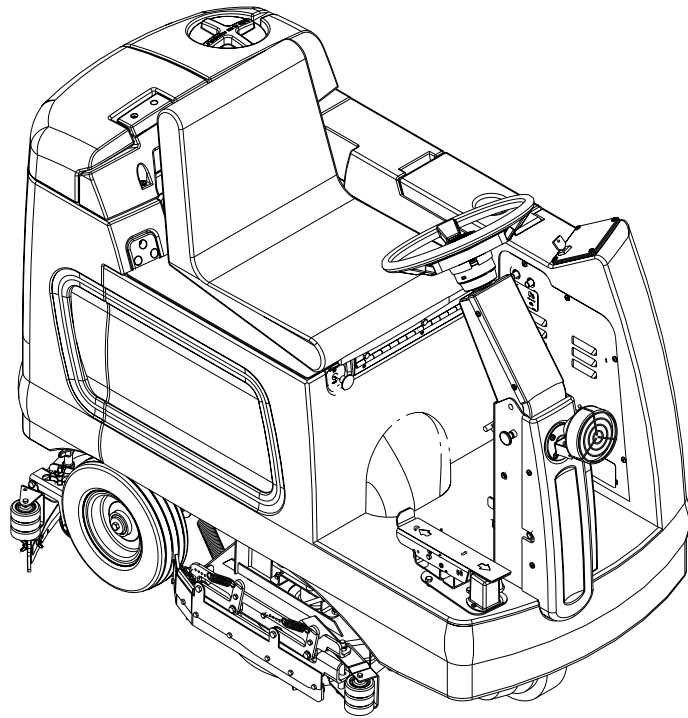


Hydro-Retriever™ 2800

BR 700, 700C, 700C-XL



PARTS LIST

Advance MODELS 56412002 (disc)
56412003 (28" cylindrical), 56412350 (32" cylindrical)
Nilfisk MODELS 56412000 (disc)
56412001 (28" cylindrical), 56412351 (32" cylindrical)



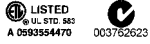
**Nilfisk
Advance**

setting standards

6/99 revised 5/04 FORM NO. 56042373
BOOK E SECTION 6.9.1

Model: HR 2800C
Part No.: 56412003
24 V ~
IPX3
G V W:
Type E Floor cleaning machine.
Pat. Pending

Serial No.:
Code:
100 A

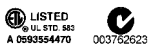


Nilfisk-Advance, Inc.
Plymouth, MN, USA
www.nilfisk-advance.com

**HR 2800C
56412003**

Model: 2800 W/32C
Part No.: 56412350
24 V ~
IPX3
G V W:
Type E Floor cleaning machine.
Pat. Pending

Serial No.:
Code:
100 A

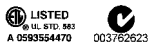


Nilfisk-Advance, Inc.
Plymouth, MN, USA
www.nilfisk-advance.com

**2800 W/32C
56412350**

Model: HR 2800
Part No.: 56412002
24 V ~
IPX3
G V W: 1286lb / 583kg
Type E Floor cleaning machine.
Pat. Pending

Serial No.: 1316022
Code: H99
100 A



Nilfisk-Advance, Inc.
Plymouth, MN, USA
www.nilfisk-advance.com

**HR 2800
56412002**

Model: BR700C
Part No.: 56412001
24 V ~
IPX3
G V W:

Serial No.:
Code:



Nilfisk-Advance, Inc.
Plymouth, MN, USA
www.nilfisk-advance.com

**BR 700C
56412001**

Model: BR700
Part No.: 56412000
24 V ~
IPX3
G V W:

Serial No.:
Code:



Nilfisk-Advance, Inc.
Plymouth, MN, USA
www.nilfisk-advance.com

**BR 700
56412000**

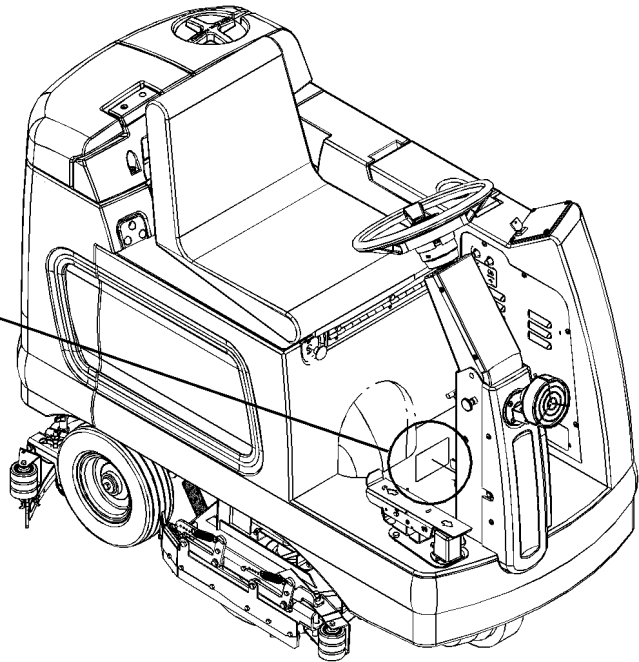
Model: BR700C W/32"
Part No.: 56412351
24V ~
IPX3
G V W:

Serial No.:
Code:



Nilfisk-Advance, Inc.
Plymouth, MN, USA
www.nilfisk-advance.com

**BR 700C-XL
56412351**



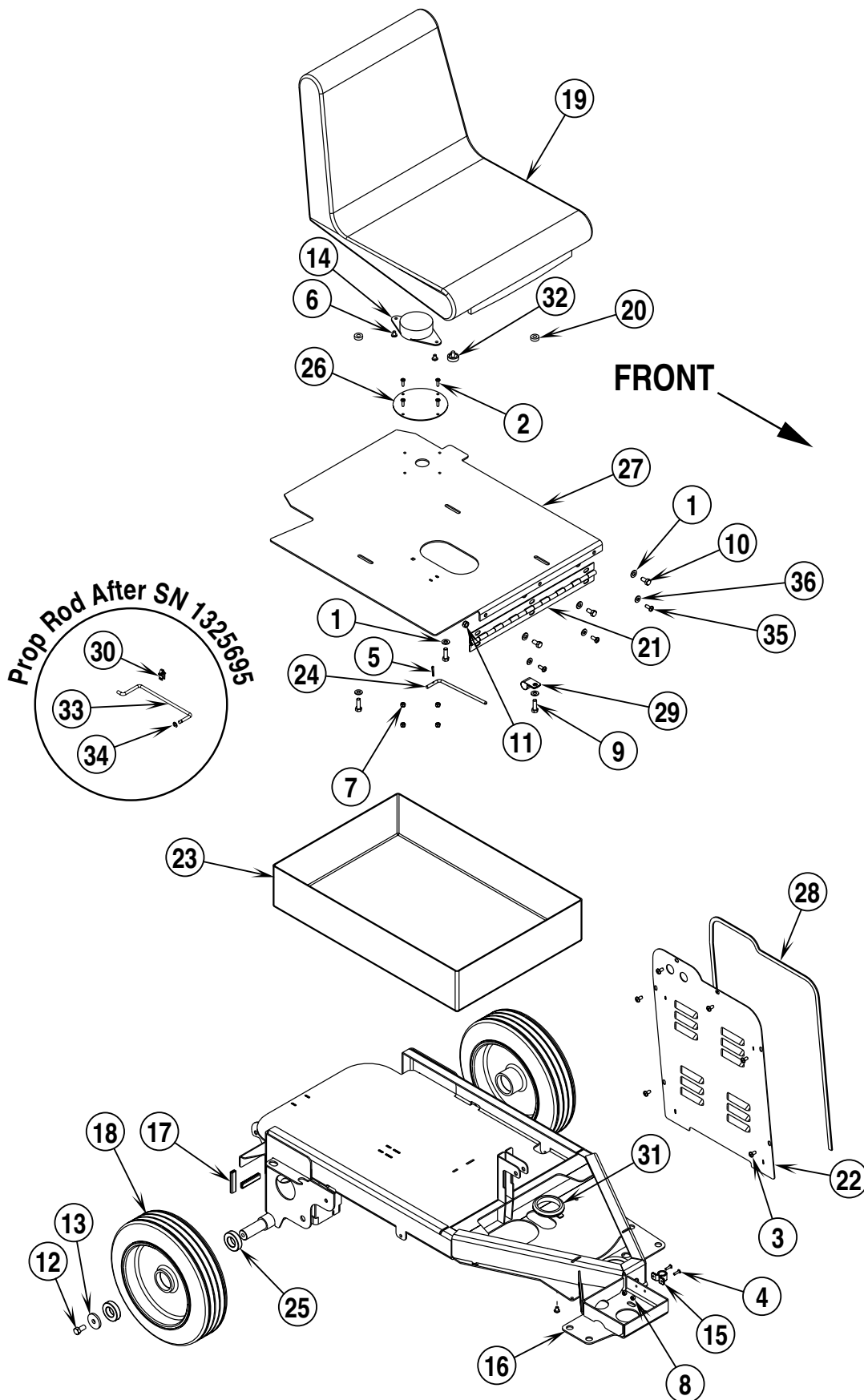
99-6	TABLE OF CONTENTS	BOOK E		
02-4	Hydro-Retriever™ 2800, 2800C / BR 700, 700C, 700C-XL	E	6.9.1	1

DESCRIPTION	PLAN
CHASSIS SYSTEM	E-6.9.1-3
DRIVE PEDAL ASSEMBLY	E-6.9.1-5
STEERING ASSEMBLY	E-6.9.1-7
FRONT WHEEL ASSEMBLY	E-6.9.1-9
DECAL SYSTEM	E-6.9.1-11
SCRUB SYSTEM (DISC)	E-6.9.1-13
SCRUB SYSTEM SKIRT ASSEMBLIES (DISC)	E-6.9.1-15
SCRUB SYSTEM (CYLINDRICAL)	E-6.9.1-17
SCRUB SYSTEM SKIRT ASSEMBLIES (CYLINDRICAL)	E-6.9.1-19
SOLUTION SYSTEM	E-6.9.1-21
RECOVERY SYSTEM	E-6.9.1-23
SQUEEGEE SYSTEM	E-6.9.1-25
SQUEEGEE ASSEMBLY	E-6.9.1-27
ELECTRICAL SYSTEM	E-6.9.1-29
OPTIONAL KITS	E-6.9.1-31
WIRING DIAGRAM	E-6.9.1-33
BRUSH / DISC SELECTOR GUIDE (DISC)	E-6.9.1-34
BRUSH SELECTOR GUIDE (CYLINDRICAL)	E-6.9.1-35

WHEN ORDERING PARTS

- * Use the 8 digit numbers from the "Ref. No." columns in this parts list.
- * Specify the model and serial number of the machine.
- * Use the space below to record the model and serial number for future reference.

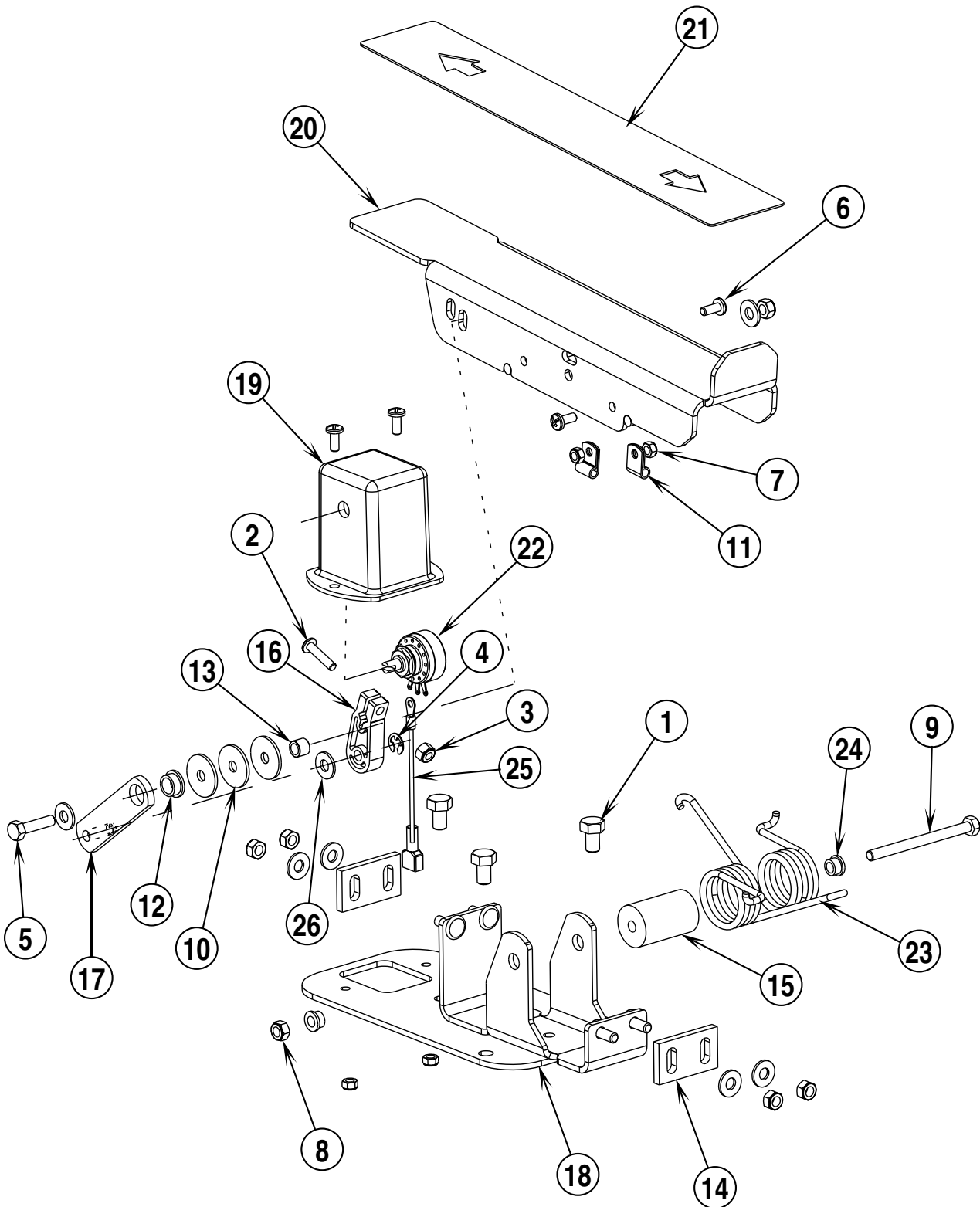
Model _____ Serial No. _____



99-6	CHASSIS SYSTEM	BOOK E		
01-10	Hydro-Retriever™ 2800, 2800C / BR 700, 700C, 700C-XL	E	6.9.1	3

Item	Ref. No.	Qty	Description
1	56001939	6	Wsh, Flt SAE 5/16
2	56002124	4	Scr, Pan Phil 10-24 x .62
3	56002145	6	Scr, Pan Phil 1/4-20 x .50
4	56002146	2	Scr, Pan Phil 8-32 x .62
5	56002291	1	Pin, Spr. .12 x 1.00 (before SN 1325696)
6	56002462	2	Scr, Pan Phil 1/4-20 x .38
7	56002768	4	Nut, Hex Nyl Loc 10-24
8	56002877	2	Nut, Hex Nyl Loc SS 8-32
9	56003073	3	Scr, Hex Hd Loc 5/16-18 x 1.00
10	56003178	3	Scr, Hex M8-1.25 x 16mm
11	56003389	3	Nut, Hex Nyl Loc M8-1.25
12	56003442	2	Scr, Hex Nyl Loc M10-1.5 x 20mm
13	56367117	2	Wsh, Flt .406 x 1.50 x .187
14	56409613	1	Switch, Seat
15	56412059	1	Guide
16	56412060	1	Chassis Weldment
17	56412122	4	Trim, Edge
18	56412317	2	Wheel, 12 x 3.5
**	56412341	2	Wheel Assy, Scrubber
19	56412148	1	Seat
20	56412150	3	Spacer
21	56412196	1	Hinge
22	56412301	1	Electrical Panel Welded
23	56412212	1	Tray, Battery
24	56412231	1	Prop Rod (before SN 1325696)
25	56412243	4	Bearing, Ball
26	56412247	1	Plate
27	56412261	1	Seat Weldment
28	56412285	1	Gasket, Electrical Cover
29	56469380	1	Clamp, P
30	56418492	1	Clip, Prop Rod (after SN 1325695)
31	56262531	1	Grommet
32	56412306	1	Seat Spacer
33	56412307	1	Prop Rod (after SN 1325695)
34	56003268	1	Ring, Ret Ext Type E .25 DIA (after SN 1325695)
35	56002066	3	Scr, Pan Phil 1/4-20 x .62
36	56002098	3	Wsh, Flt SAE 1/4
**	56420143	1	Armrest Kit
**	56419369	1	Seat Belt Kit

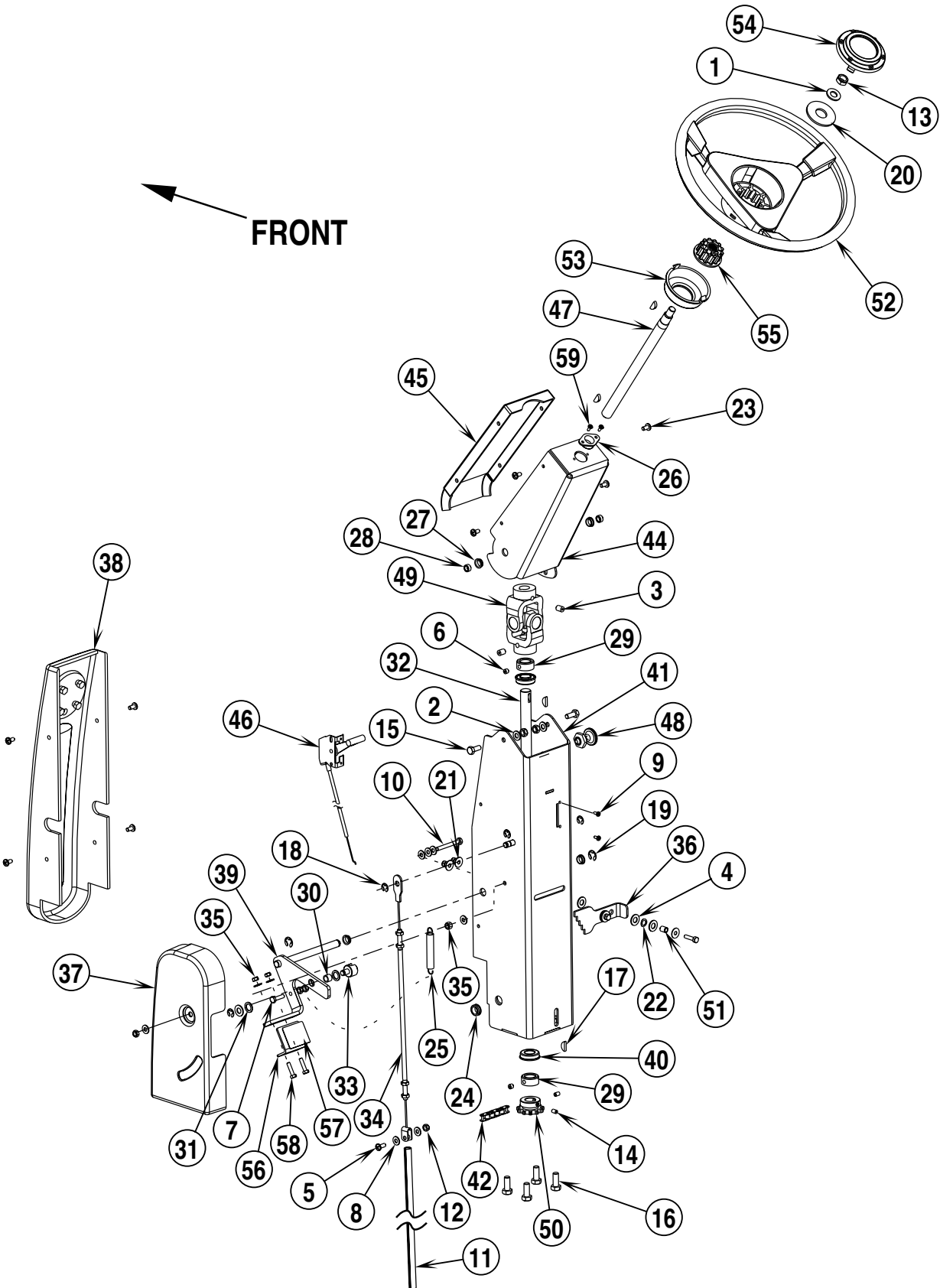
** = Optional



99-6	DRIVE PEDAL ASSEMBLY	BOOK E		
00-11	Hydro-Retriever™ 2800, 2800C / BR 700, 700C, 700C-XL	E	6.9.1	5

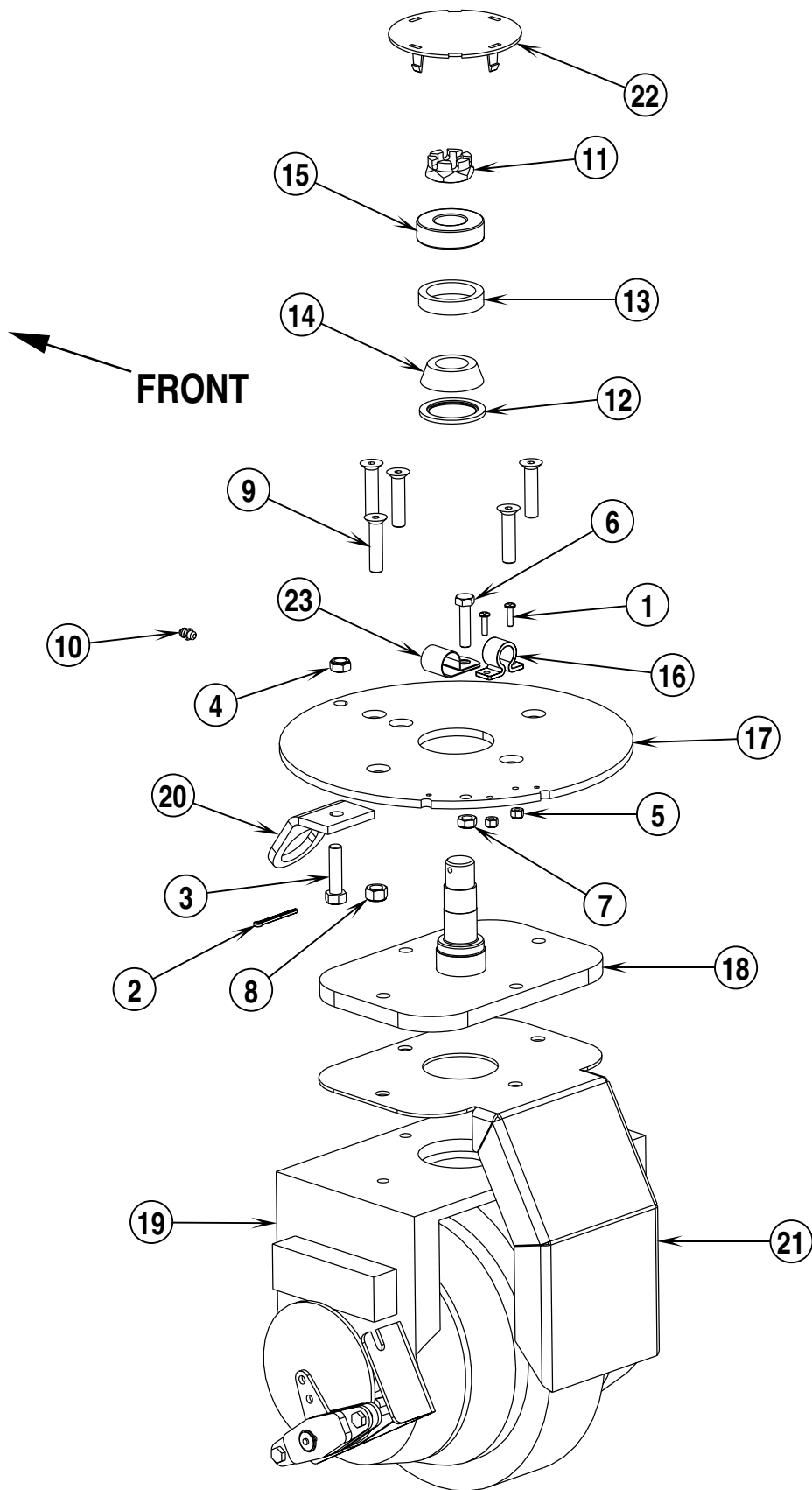
Item	Ref. No.	Qty	Description
1	56001862	3	Scr, Hex Hd 5/16-18 x .50
2	56002733	1	Scr, Pan Phil 10-24 x .88
3	56002768	1	Nut, Hex Nyl Loc 10-24
4	56003268	1	Ring, Ret Ext Type E Reinf. .25 Dia.
5	56003358	3	Scr, Hex M6-1.0 x 25mm
6	56003377	4	Scr, Pan Phil M5 x 12mm
7	56003402	4	Nut, Hex Nyl Loc M5-.80
8	56003403	8	Nut, Hex Nyl Loc M6-1.00
9	56003428	1	Scr, Hex M6-1.0 x 75mm
10	56009060	3	Wsh, Flt SS .260 x 1.00 x .074
11	56220507	2	Clamp, P
12	56324505	1	Bearing, Flange
13	56368989	1	Bushing
14	56409377	2	Plate, Side
15	56409378	1	Spacer, Nylon
16	56409471	1	Lever, Throttle
17	56409610	1	Link Weldment
18	56412092	1	Pedal Mount Weldment
19	56412094	1	Housing, Potentiometer
20	56412234	1	Throttle Pedal Weldment
21	56449958	1	Mat, Pedal
22	56454740	1	Potentiometer, 5K
23	56468243	2	Spring, Idler
24	56756318	2	Bearing, Flange
25	56412331	1	Wire Assy.
26	56002098	1	Wsh, Flt SAE 1/4

FRONT



99-6	STEERING ASSEMBLY	BOOK E		
01-10	Hydro-Retriever™ 2800, 2800C / BR 700, 700C, 700C-XL	E	6.9.1	7

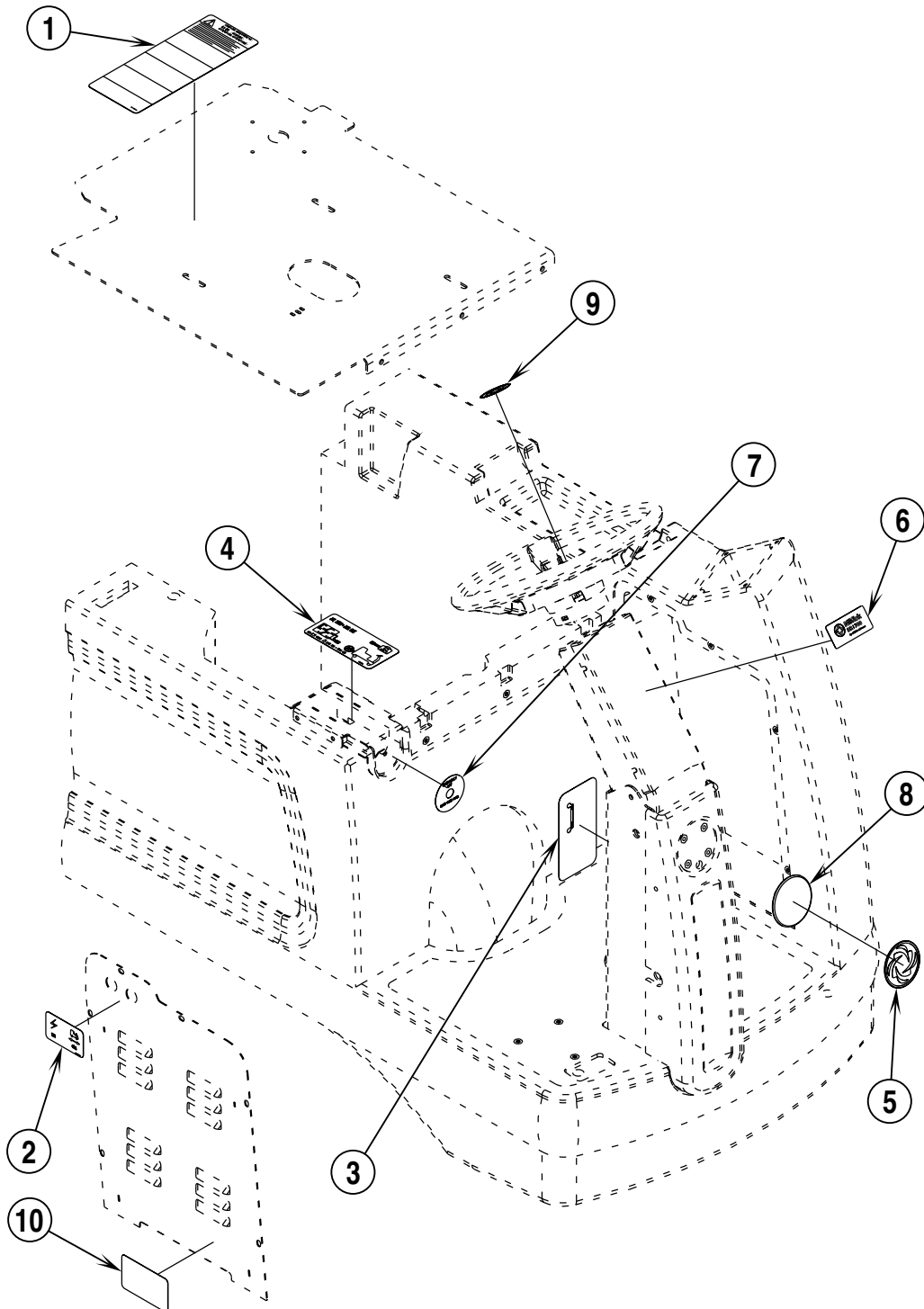
Item	Ref. No.	Qty	Description
1	56001879	1	Wsh, Flt SAE 1/2
2	56001939	2	Wsh, Flt SAE 5/16
3	56001959	2	Scr, Soc Set Loc 3/8-16 x .50
4	56002063	7	Wsh, Flt SAE 3/8
5	56002066	1	Scr, Pan Phil 1/4-20 x .62
6	56002086	2	Scr, Soc Set Loc 5/16-18 x .25
7	56002093	1	Scr, Hex Hd 1/4-20 x 1.00
8	56002098	11	Wsh, Flt SAE 1/4
9	56002523	2	Scr, Pan Phil Thd Form 8-32 x .38
10	56003553	1	Scr, Hex Thd To Hd M6-1.0 x 50mm
11	56412308	1	Conduit 27"
12	56002840	4	Nut, Hex Nyl Loc-Thin 1/4-20
13	56002843	1	Nut, Hex Nyl Loc-Thin 1/2-13
14	56002930	2	Scr, Soc Set Loc 1/4-20 x .38
15	56003179	2	Scr, Hex Thd To Hd M8-1.25 x 20mm
16	56003186	4	Scr, Hex Thd To Hd M10-1.5 x 25mm
17	56003228	4	Key, Wdf .75 x .19
18	56003262	3	Ring, Ret Ext Type E .38 Dia.
19	56003264	2	Ring, Ret Ext Type E .50 Dia.
20	56003342	1	Wsh, Flt .88 x 2.25 x .13
21	56009025	4	Wsh, Flt .266 x .75 x .036
22	56009045	2	Wsh, Bowed .375 x .578 x .060
23	56009062	8	Scr, Pan Phil Thd Form 1/4-20 x .50
24	56158690	1	Grommet
25	56245008	1	Spring, Extension
26	56100393	1	Bushing TSB 727
27	56302164	4	Bearing, Flange
28	56320595	2	Bushing .32 x .50 x .28
29	56367095	2	Collar, Shaft
30	56370754	1	Bearing, Sleeve
31	56370762	2	Bearing, Thrust
32	56407067	1	Shaft, Lower Steering
33	56412141	1	Pivot, Cable
34	56412142	1	Cable Assembly
35	56003403	3	Nut, Hex Nyl Loc M6-1.00
36	56412144	1	Latch, Park Brake TSB 794
37	56412145	1	Cover, Brake
38	56412146	1	Cover, Lower Column
39	56412147	1	Brake Pedal Weldment
40	56412161	2	Bearing
41	56412162	1	Lower Column Weldment
42	56412198	1	Chain, Roller
43			Intentionally Omitted
44	56412245	1	Column, Steering
45	56412246	1	Cover, Upper Column
46	56412281	1	Solution Control Cable
47	56420059	1	Shaft, Upper Steering
48	56420062	1	Latch Assembly
49	56454081	1	Universal Joint
50	56471148	1	Sprocket
51	56475411	2	Bushing
52	56497306	1	Steering Wheel
53	56497308	1	Cup
54	56497543	1	Cap
55	56497560	1	Wheel Adapter
56	56412149	1	Brake Pad
57	56412175	1	Mat, Brake
58	56003358	2	Scr, Hex M6-1.0 x 25mm
59	56009051	2	Scr, Pan Phil Thd Form 8-32 x .38 TSB 727



99-6	FRONT WHEEL ASSEMBLY	BOOK E		
02-11	Hydro-Retriever™ 2800, 2800C / BR 700, 700C, 700C-XL	E	6.9.1	9

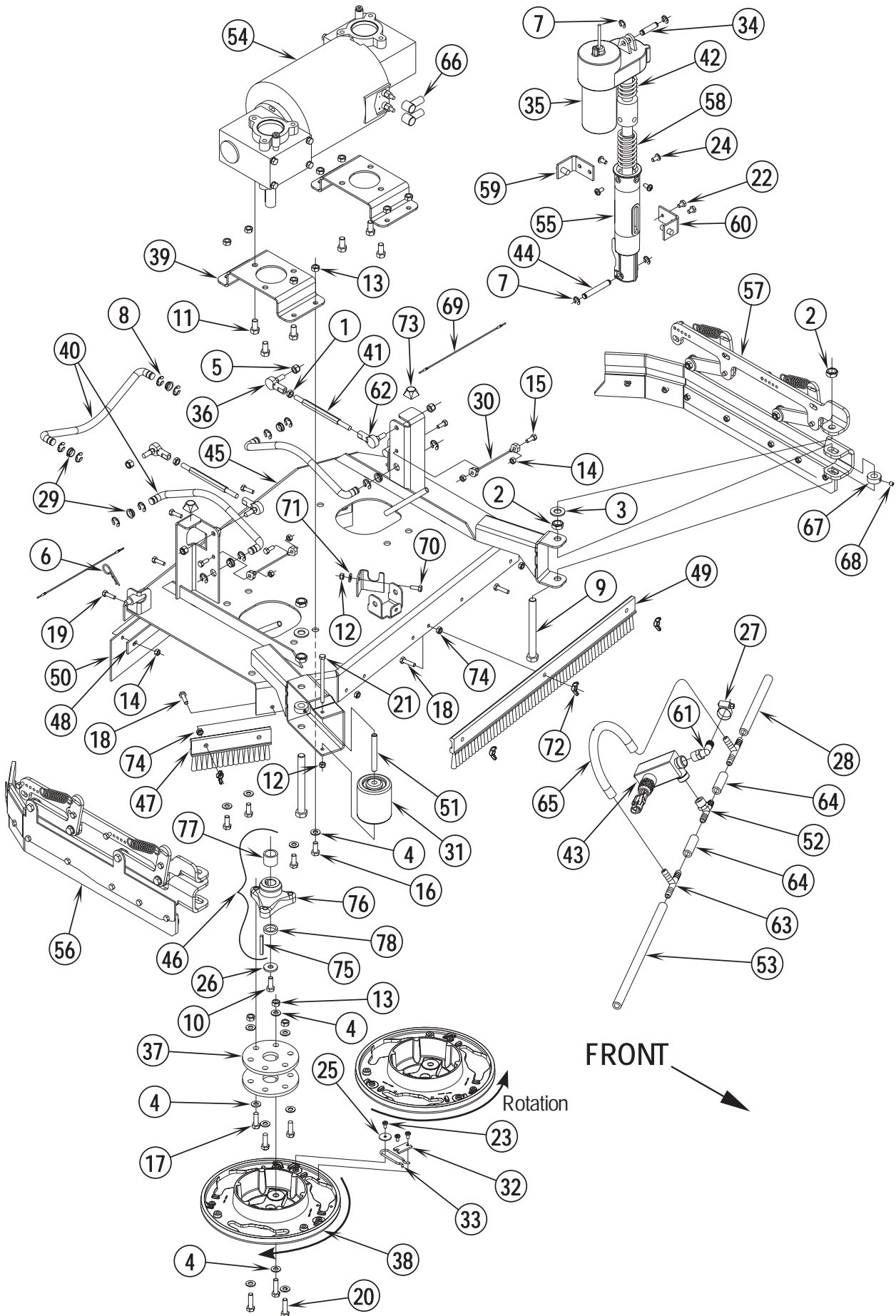
Item	Ref. No.	Qty	Description
1	56002146	2	Scr, Pan Phil 8-32 x .62
2	56002181	1	Pin, Cotter, 1/8 x 1-1/2
3	56002747	1	Scr, Hex Thd To Hd 3/8-16 x 1.50
4	56002841	1	Nut, Hex Nyl Loc-Thin 3/8-16
5	56002877	2	Nut, Hex Nyl Loc SS 8-32
6	56003179	1	Scr, Hex Thd to Hd M8-1.25 x 20mm
7	56003389	3	Nut, Hex Nyl Loc M8-1.25
8	56003406	1	Nut, Hex Nyl Loc M10-1.50
9	56003500	5	Scr, Soc Hd M10-1.50 x 40mm
10	56101737	1	Fitting, Lube 1/4-28
11	56110817	1	Nut, Castle 7/8-14
12	56171078	1	Shaft Seal
13	56378259	1	Bearing, Cup
14	56378267	1	Bearing, Cone
15	56378380	1	Bearing, Ball
16	56412059	1	Guide
17	56412123	1	Plate, Steering
18	56412165	1	Spindle Weldment
19	56412168	1	Drive Motor / Wheel TSB 824
**	56412319	1	Brake Caliper Kit
**	56412320	1	Brush Cover Kit
**	56412321	1	Sealing Ring
**	56412322	1	Bearing, Pinion End (20x42x12 mm)
**	56412323	1	Bearing, Output Shaft End (17x40x12 mm)
**	56412324	1	Armature
**	56412325	1	Carbon Brush Kit TSB 824
**	56412338	1	Drive Wheel W/Mounting Screws TSB 781
**	56412339	1	Drive Wheel W/Mounting Screws TSB 781
**	56412327	1	Brake Rotor Kit
20	56412209	1	Bracket, Tie Down
21	56412236	1	Splash Guard
22	56412263	1	Cap, Spindle
23	56469380	1	Clamp, P

**= Replacement Parts for PN 56412168



99-6	DECAL SYSTEM	BOOK E		
02-10	Hydro-Retriever™ 2800, 2800C / BR 700, 700C, 700C-XL	E	6.9.1	11

Item	Ref. No.	Qty	Description
1	56014601	1	Decal, Caution
2	56016341	1	Decal, Circuit Breaker
3	56016344	1	Decal, Flow / Parking Brake
4	56016345	1	Decal, Battery Wiring
5	56016348	1	Decal, Logo
6	56016362	1	Decal, BR 700
	56016360	1	Decal, HR 2800
7	56025109	1	Decal, Emergency
8	56412095	1	Plaque, Decal Logo
9	56016421	1	Decal, Logo 2 inch
10	56016346	1	Decal, Wear Items (2800)



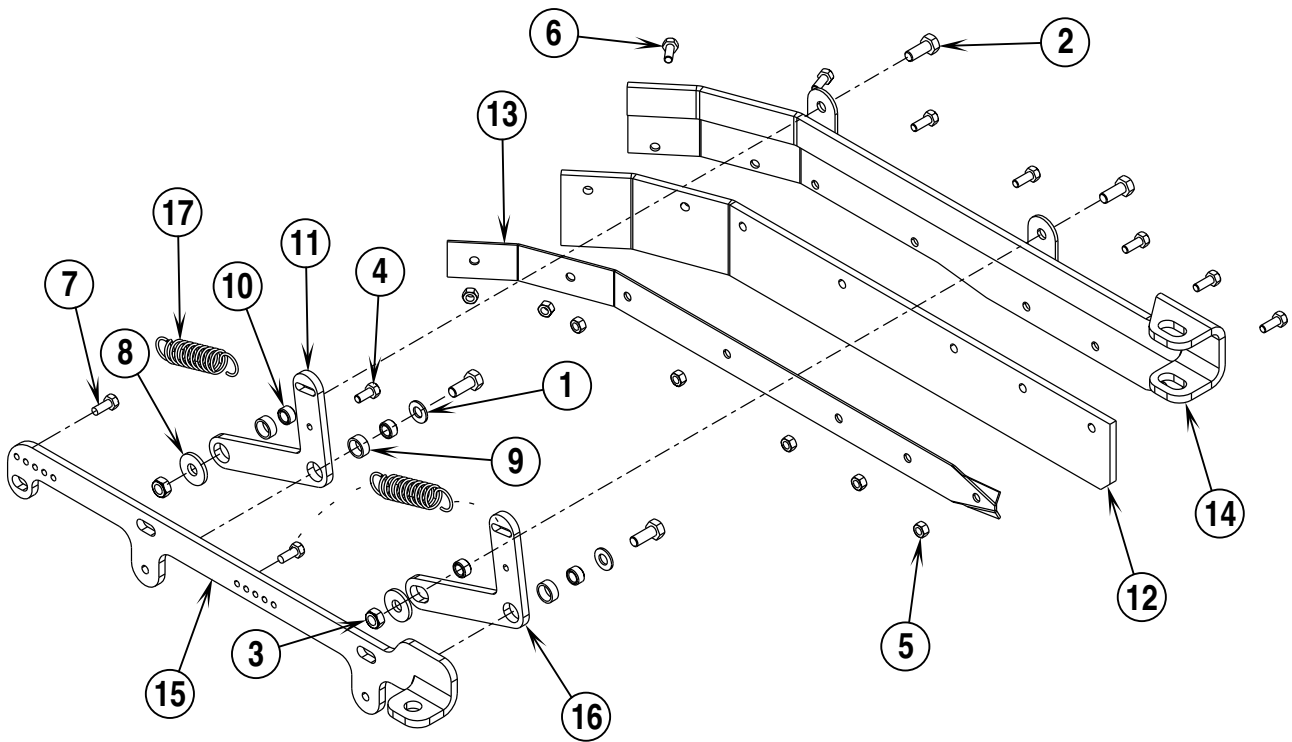
99-6	SCRUB SYSTEM (disc)	BOOK E		
04-5	Hydro-Retriever™ 2800, 2800C / BR 700, 700C, 700C-XL	E	6.9.1	13

Item	Ref. No.	Qty	Description	Item	Ref. No.	Qty	Description
1	56001884	2	Nut, Hex Jam 5/16-24 TSB767	49	56412460	1	Skirt, Bristle Long (after SN1502058) TSB767
2	56002843	4	Nut, Hex Nyl Loc-Thin 1/2-13		56412171	1	Blade (before SN1502059) TSB767
3	56002918	2	Wsh, Fit SAE SS 1/2	**	56412292	1	Blade, Oil Resistant Front
4	56002938	26	Wsh, Fit SAE SS 5/16		56412169	1	Strap (before SN1502059) TSB767
5	56002950	4	Nut, Hex Nyl Loc 5/16-24	50	56412172	1	Blade
6	56002959	2	Pin, Cotter Hair	**	56412293	1	Blade, Oil Resistant Rear
7	56003262	4	Ring, Ret Ext Type E .38 Dia.	51	56412176	1	Bushing
8	56003264	12	Ring, Ret Ext Type E .50 Dia.	52	56412204	1	Tee, Barb 3/8 x 3/8 NPT
9	56003282	2	Scr, Hex Hd 1/2-13 x 5.00	53	56412207	1	Hose, Spiral .375
10	56003335	2	Scr, Hex Loc SS 5/16-18 x .88	54	56412213	1	Motor Gearbox Assy TSBUS2002-831
11	56002885	6	Scr, Hex SS 3/8-16 x .75	*	56412214	1	Motor
12	56003403	2	Nut, Hex Nyl Loc M6-1.00	*	56407196	2	Gearbox
13	56003405	14	Nut, Hex Nyl Loc SS M8-1.25	*	56412266	4	Brush Board Assembly
14	56003426	10	Nut, Hex Nyl Loc SS M6-1.00	*	56389395	1	Brush Spring (set of 4)
15	56003431	4	Scr, Hex Hd SS M6-1.0 x 16mm	*	56389371	1	Brush Assembly (set of 4)
16	56003435	8	Scr, Hex Hd SS M8-1.25 x 20mm	*	56412286	1	Brush / Spring Kit
17	56003639	6	Scr, Hex Hd SS M8-1.25 x 30mm	55	56412262	1	Housing, Spring (TSBUS2002-811)
18	56002883	5	Scr, Hex Hd SS 1/4-20 x 1.00	56	56412282	1	Right Skirt Assy (see associated pages) TSB 768
19	56003454	6	Scr, Hex Thd To Hd SS M6-1.0 x 20mm				
20	56003477	6	Scr, Hex Loc SS M8-1 x 25mm	57	56412283	1	Left Skirt Assy (see associated pages) TSB 768
21	56003492	1	Scr, Hex M6-1.0 x 95mm				
22	56009019	2	Scr, Hex Thd Form 1/4-20 x .38	58	56420018	1	Compression Spring
23	56009030	6	Scr, Pan Phil Thd Form 10-24 x .38	59	56420019	1	Nut Retainer
24	56009062	4	Scr, Pan Phil Thd Form 1/4-20 x .50	60	56420020	1	Nut Retainer
25	56009096	2	Wsh, Fit .193 x .875 x .060	61	56900069	1	Barb, Adapter 1/2 x 3/8 NPT
26	56009107	2	Wsh, Fit SS .378 x 1.00 x .120	62	56395755	2	Rod End TSB767
27	56219932	1	Clamp, Hose SAE #6	63	56249280	2	Tee, Barb
28	56412219	1	Solution Drain Hose	64	56412187	2	Solution Drain Hose
29	56302164	6	Bearing, Flange	65	56412189	1	Hose, Solution Air Bleed
30	56412344	2	Wire Rope Assy	66	56492305	2	Boot, Rubber
31	56412459	1	Wheel	67	56152811	2	Collar
32	56366455	2	Plate, Stop	68	56001841	2	Scr, Soc Set Loc 1/4-20 x .25
33	56366463	2	Spring Retainer	69	56330391	2	Wire Rope, 12 inch
34	56388672	1	Pin	70	56003174	1	Scr, Hex Thd to Hd M6-1.0 x 16mm
35	56393303	1	Actuator Motor	71	56009064	1	Wsh, Int SHPRF 1/4
36	56477756	2	End, Rod TSB767	72	56009048	5	Nut, Wing Loc 1/4-20
37	56407053	4	Thermoid Disk				(after SN1502058) TSB767
38	56314030	2	Brush Holder	73	56382566	2	Bumper
39	56407198	2	Mount Bracket	74	56002850	5	Nut Hex Nyl Loc-Thin SS 1/4-20
40	56412052	3	Arm, Mount	75	56003670	2	Key, Sq .19 x 1.62
41	56412056	2	Rod, Adjuster	76	56314108	2	Hub, Drive
42	56412071	1	Compression Spring	77	56314150	2	Spacer
43	56412076	1	Solenoid Valve Assembly	78	56314151	2	Spacer
44	56412088	1	Pin				
45	56412096	1	Deck Weldment	**	56412291	1	Neoprene Disk Deck Blade Kit NOTE #1
46	56314163	2	Kit, Hub Replacement (items 75-78)				(before SN1502059) TSB767
47	56412461	1	Skirt, Bristle Short	**	56412295	1	Standard Disk Deck Blade Kit NOTE #1
			(after SN1502058) TSB767				(before SN1502059) TSB767
48	56412170	1	Strap	**	56412343	1	Standard Disk Deck Blade Kit NOTE #1
				**	56505770	2	Short Trim Pad Holder
				**	56505771	2	Magna Grit 46 Brush
				**	56505772	2	Dyna Grit 80 Brush
				**	56505773	2	AgLite Grit 500 Brush
				**	56505774	2	Prolene Brush
				**	56505775	2	ProLite Brush
				**	56505776	2	Union Mix Brush
				**	56505777	2	Mid Grit 240 Brush
				**	56505778	2	MidLite Grit 180 Brush

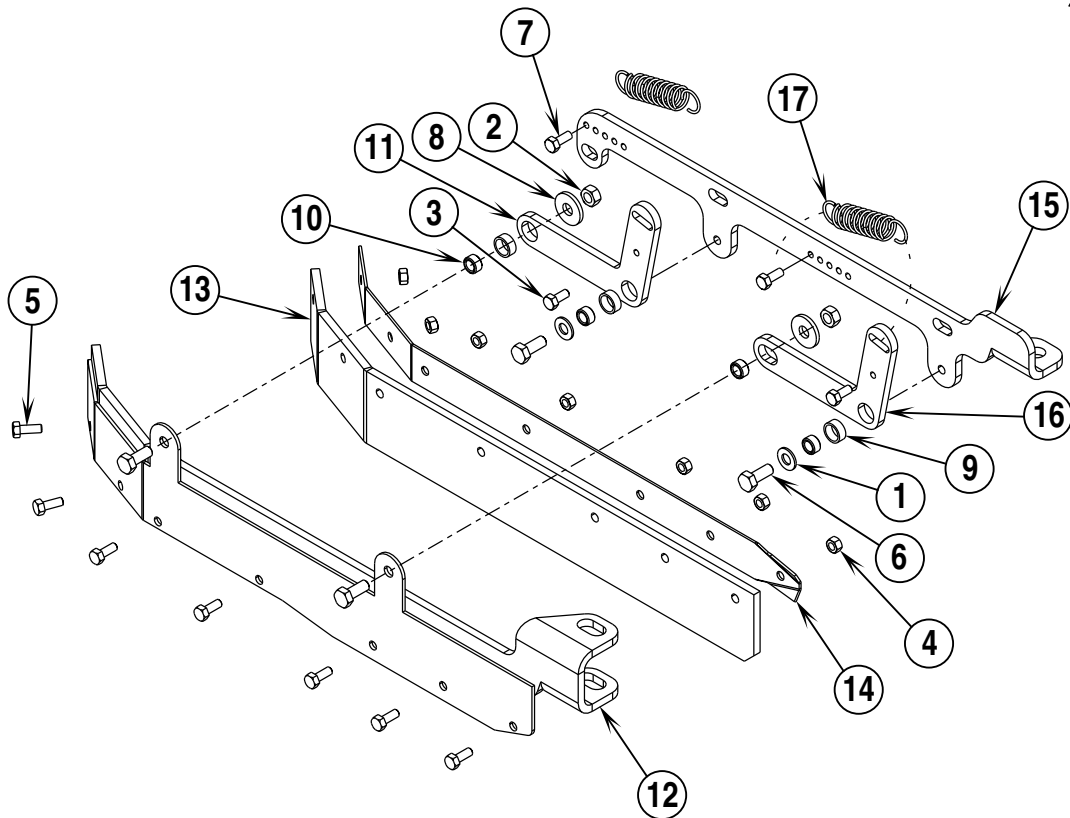
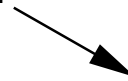
* = Not Shown
** = Optional

NOTE #1: All Deck blade kits include both deck and skirt blades.

FORM NO. 56042373



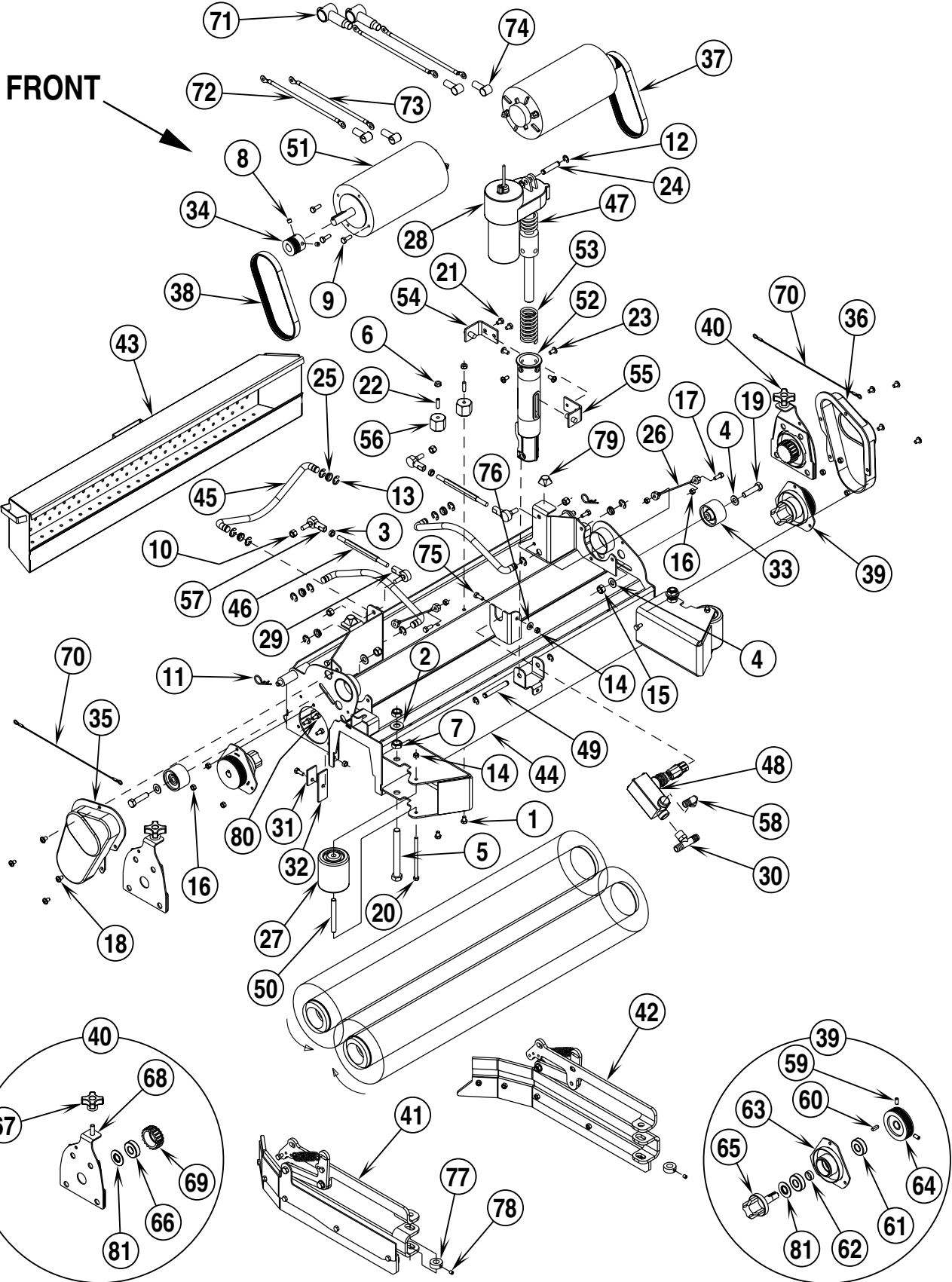
FRONT



99-6	SCRUB SYSTEM SKIRT ASSEMBLIES (disc)	BOOK E		
04-5	Hydro-Retriever™ 2800, 2800C / BR 700, 700C, 700C-XL	E	6.9.1	15

Item	Ref. No.	Qty	Description
Left Skirt Assembly			
1	56001939	2	Wsh, Flt SAE 5/16
2	56003179	4	Scr, Hex Thd To Hd M8-1.25 x 20mm
3	56003389	2	Nut, Hex Nyl Loc M8-1.25
4	56003413	1	Scr, Hex M6-1.0 x 14mm
5	56003426	7	Nut, Hex Nyl Loc SS M6-1.0
6	56003431	7	Scr, Hex Hd SS M6-1.0 x 16mm
7	56003441	2	Scr, Hex Nyl Loc M6-1 x 15mm
8	56009107	2	Wsh, Flt SS .378 x 1.00 x .120
9	56185263	3	Bearing, Sleeve
10	56320595	4	Bushing .32 x .50 x .28
11	56407413	1	Arm, Mount TSB802
12	56412107	1	Skirt TSB 768
**	56412294	1	Blade, Oil Resistant (Disk)
13	56412108	1	Retainer, Skirt TSB 768
14	56412110	1	Skirt Bracket Weldment TSB 768
15	56412113	1	Bracket, Mount
16	56412114	1	Arm, Mount
17	56470672	2	Spring, Extension
Right Skirt Assembly			
1	56002938	2	Wsh, Flt SAE SS 5/16
2	56003405	2	Nut, Hex Nyl Loc SS M8-1.25
3	56003413	2	Scr, Hex M6-1.0 x 14mm
4	56003426	7	Nut, Hex Nyl Loc SS M6-1.0
5	56003431	7	Scr, Hex Hd SS M6-1.0 x 16mm
6	56003435	4	Scr, Hex Hd SS M8-1.25 x 20mm
7	56003441	2	Scr, Hex Nyl Loc M6-1 x 15mm
8	56009107	2	Wsh, Flt SS .378 x 1.00 x .120
9	56185263	3	Bearing, Sleeve
10	56320595	4	Bushing .32 x .50 x .28
11	56407413	1	Arm, Mount TSB802
12	56412104	1	Skirt Bracket Weldment TSB 768
13	56412107	1	Skirt TSB 768
**	56412294	1	Blade, Oil Resistant (Disk)
14	56412108	1	Retainer, Skirt TSB 768
15	56412109	1	Bracket, Mount
16	56412114	1	Arm, Mount
17	56470672	2	Spring, Extension
**	56412291	1	Neoprene Disk Deck Blade Kit (before SN1502059) TSB767 NOTE #1
**	56412295	1	Standard Disk Deck Blade Kit (before SN1502059) TSB767 NOTE #1
**	56412343	1	Standard Disk Deck Blade Kit (after SN1502058) TSB767 NOTE #1
** = Optional			

NOTE #1: All Deck blade kits include both deck and skirt blades.



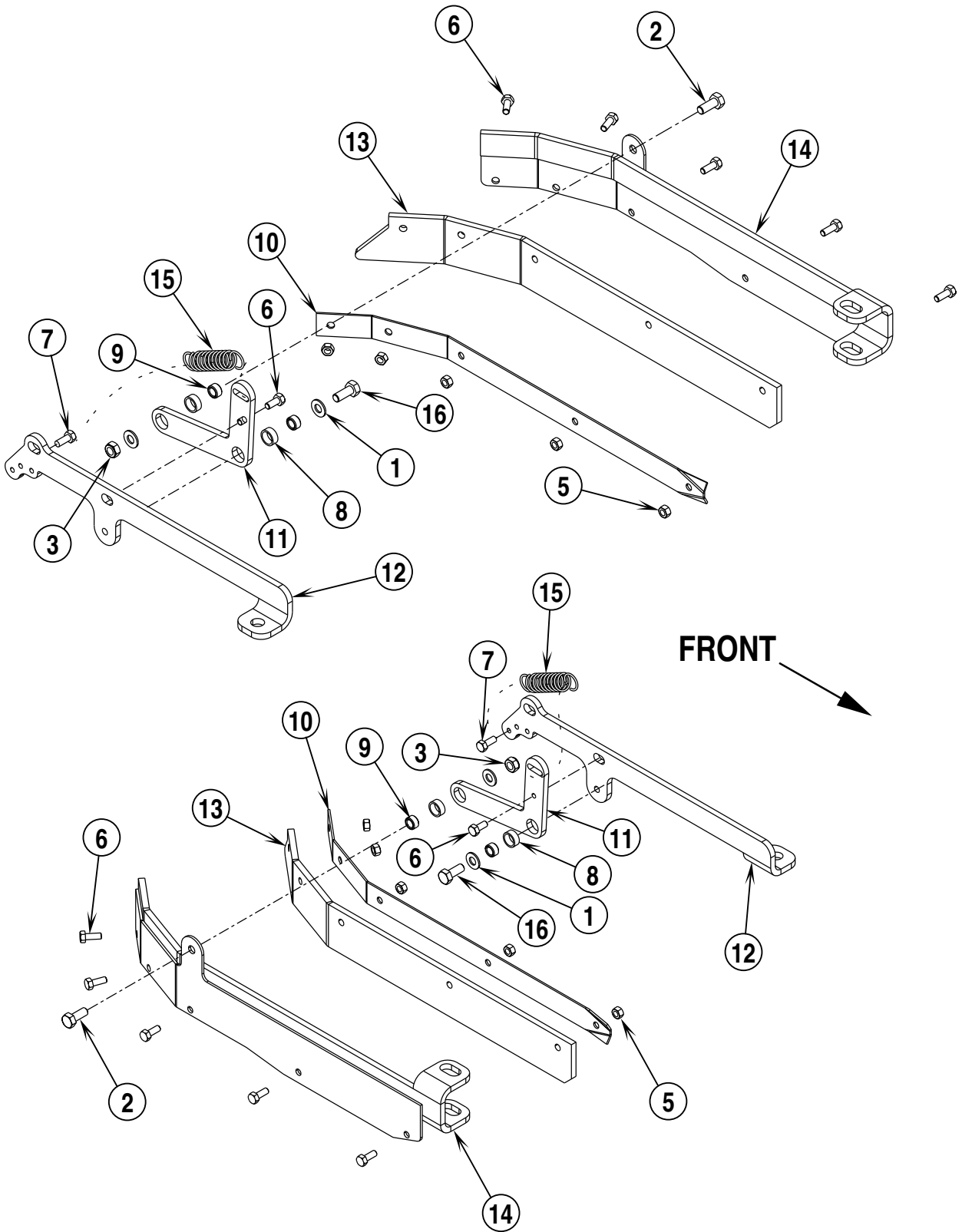
99-6	SCRUB SYSTEM (cylindrical)	BOOK E		
04-5	Hydro-Retriever™ 2800, 2800C / BR 700, 700C, 700C-XL	E	6.9.1	17

Item	Ref. No.	Qty	Description	Item	Ref. No.	Qty	Description
1	56001861	2	Scr, Hex Hd 1/4-20 x .38	46	56412056	2	Rod, Adjuster
2	56001879	2	Wsh, Flt SAE 1/2	47	56412071	1	Compression Spring
3	56001884	2	Nut, Hex Jam 5/16-24 TSB767	48	56412076	1	Solenoid Valve
4	56002063	4	Wsh, Flt SAE 3/8	49	56412088	1	Pin
5	56002484	2	Scr, Hex Hd 1/2-13 x 4.50	50	56412176	2	Bushing (qty of 1 on 28")
6	56002561	2	Nut, Hex W/Shprf 1/4-20	51	56412178	2	Motor, 24VDC, .75HP
7	56002843	4	Nut, Hex Nyl Loc-Thin 1/2-13	*	56412254	A/R	Armature (1 per motor)
8	56002086	4	Scr, Soc Set Loc 5/16-18 x .25	*	56412255	A/R	Bearing (2 per motor)
9	56002948	6	Scr, Hex Hd Loc 1/4-20 x .75	*	56412257	A/R	Brush Cap Assy (1 per motor)
10	56002950	4	Nut, Hex Nyl Loc 5/16-24	*	56412287	A/R	Brush / Spring Kit (1 kit per motor)
11	56002959	2	Pin, Cotter Hair	52	56412262	1	Housing, Spring (TSBUS2002-811)
12	56003262	4	Ring, Ret Ext Type E .38 Dia.	53	56420018	1	Compression Spring
13	56003264	12	Ring, Ret Ext Type E .50 Dia.	54	56420019	1	Nut Retainer
14	56003403	3	Nut, Hex Nyl Loc M6-1.00 (qty 2 on 28")	55	56420020	1	Nut Retainer
15	56003406	2	Nut, Hex Nyl Loc M10-1.50	56	56469858	2	Standoff, Insulated
16	56003426	12	Nut, Hex Nyl Loc SS M6-1.00	57	56477756	2	Rod End TSB767
17	56003431	6	Scr, Hex Hd SS M6-1.0 x 16mm	58	56900069	1	Barb, 90 Elbow 1/2 x 3/8NPT
18	56003603	8	Scr, Pan Phil Thd Form 1/4-20 x .38	59	56002119	4	Scr, Soc Set Loc 1/4-20 x .50 (NOTE 1)
19	56003491	2	Scr, Hex M10-1.50 x 40mm	60	56003237	2	Key, Sq. .19 x .62 (NOTE 1)
20	56003492	2	Scr, Hex M6-1.0 x 95mm (qty 1 on 28")	61	56106070	4	Bearing, Ball (NOTE 1)
21	56009019	2	Scr, Hex Thd Form 1/4-20 x .38	62	56407389	2	Spacer (NOTE 1)
22	56009020	2	Stud	63	56407556	2	Bearing Plate Weldment (NOTE 1)
23	56009062	4	Scr, Pan Phil Thd Form 1/4-20 x .50	64	56407442	2	Sheave, Poly-V (NOTE 1)
24	56104760	1	Pin	65	56407557	2	Spindle (NOTE 1)
25	56302164	6	Bearing, Flange	66	56106070	2	Bearing, Ball (NOTE 1)
26	56412344	2	Wire Rope Assy.	67	56407303	2	Knob (NOTE 1)
27	56412459	2	Wheel (qty of 1 on 28")	68	56407552	2	Idler Bearing Plate Weldment (NOTE 1)
28	56393303	1	Actuator, Motor	69	56407551	2	Hub (NOTE 1)
*	56470433	1	Carbon Brush Kit	70	56330391	2	Wire Rope, 12 inch
*	56388520	1	Plastic Drive Nut	71	56493357	2	Insulator, Terminal
*	56393790	1	Replacement Limit Switch (2 required)	72	56412297	2	Cable Assy 8 AWG
29	56395755	2	End, Rod TSB767	73	56412296	2	Cable Assy 8 AWG
30	56407012	1	Tee, Barb 3/8 NPT x 1/2 x 1/2	74	56492305	4	Boot, Rubber
31	56410214	2	Strap	75	56003174	1	Scr, Hex Thd to Hd M6-1.0 x 16mm
32	56407391	2	Blade	76	56009064	1	Wsh, Int SHPRF 1/4
33	56407432	2	Idler, Belt	77	56152811	2	Collar
34	56407433	2	Sheave, Poly-V	78	56001841	2	Scr, Soc Set Loc 1/4-20 x .25
35	56407434	1	Guard, Right Belt	79	56382566	2	Bumper, .812 Square
36	56407435	1	Guard, Left Belt	80	56003211	6	Scr, Hex Hd SS M6-1.0 x 12mm
37	56407465	1	Belt, Poly-V 180J6	81	56407558	4	Washer, Bearing (NOTE 1)
38	56407466	1	Belt, Poly-V 190J6				
39	56407559	2	Drive End Assembly (#59-65 & 81) (TSBUS2002-821)	**	56412046	2	Cyl. Brush Polypropylene 28"
40	56407554	2	Idler End Assembly (#66-69 & 81) (TSBUS2002-821)	**	56412191	2	Cyl. Brush Soft Nylon 28"
41	56407470	1	Right Skirt Assy (see associated pages)	**	56412192	2	Cyl. Brush Hard Nylon 28"
42	56407471	1	Left Skirt Assy (see associated pages)	**	56412193	2	Cyl. Brush 180 Grit 28"
43	56412041	1	Hopper Weld't (28")	**	56412194	2	Cyl. Brush 80 Grit 28"
	56407430	1	Hopper Weld't. (32")	**	56412195	2	Cyl. Brush 46 Grit 28"
44	56412044	1	Housing Weld't. (28")	**	56407475	2	Cyl. Brush Polypropylene 32"
	56412352	1	Housing Weld't. (32")	**	56407473	2	Cyl. Brush Soft Nylon 32"
45	56412052	3	Arm, Mount	**	56407474	2	Cyl. Brush Hard Nylon 32"
				**	56407476	2	Cyl. Brush 180 Grit 32"
				**	56407477	2	Cyl. Brush 80 Grit 32"
				**	56407478	2	Cyl. Brush 46 Grit 32"

* = Not Shown
** = Optional

NOTE 1: TSBUS2002-821

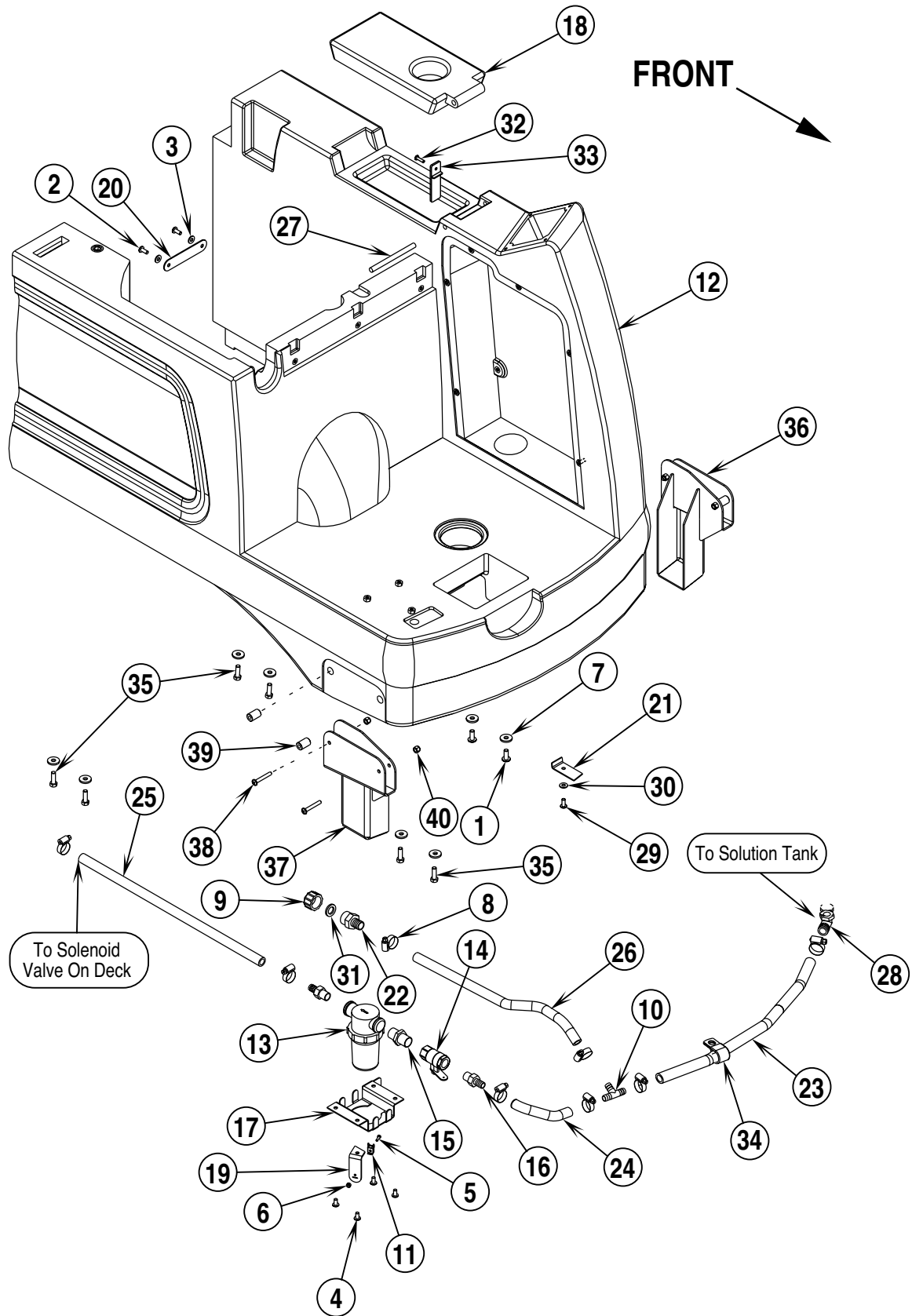
FORM NO. 56042373



99-6	SCRUB SYSTEM SKIRT ASSEMBLIES (cylindrical)	BOOK E		
02-2		Hydro-Retriever™ 2800, 2800C / BR 700, 700C, 700C-XL	E	6.9.1

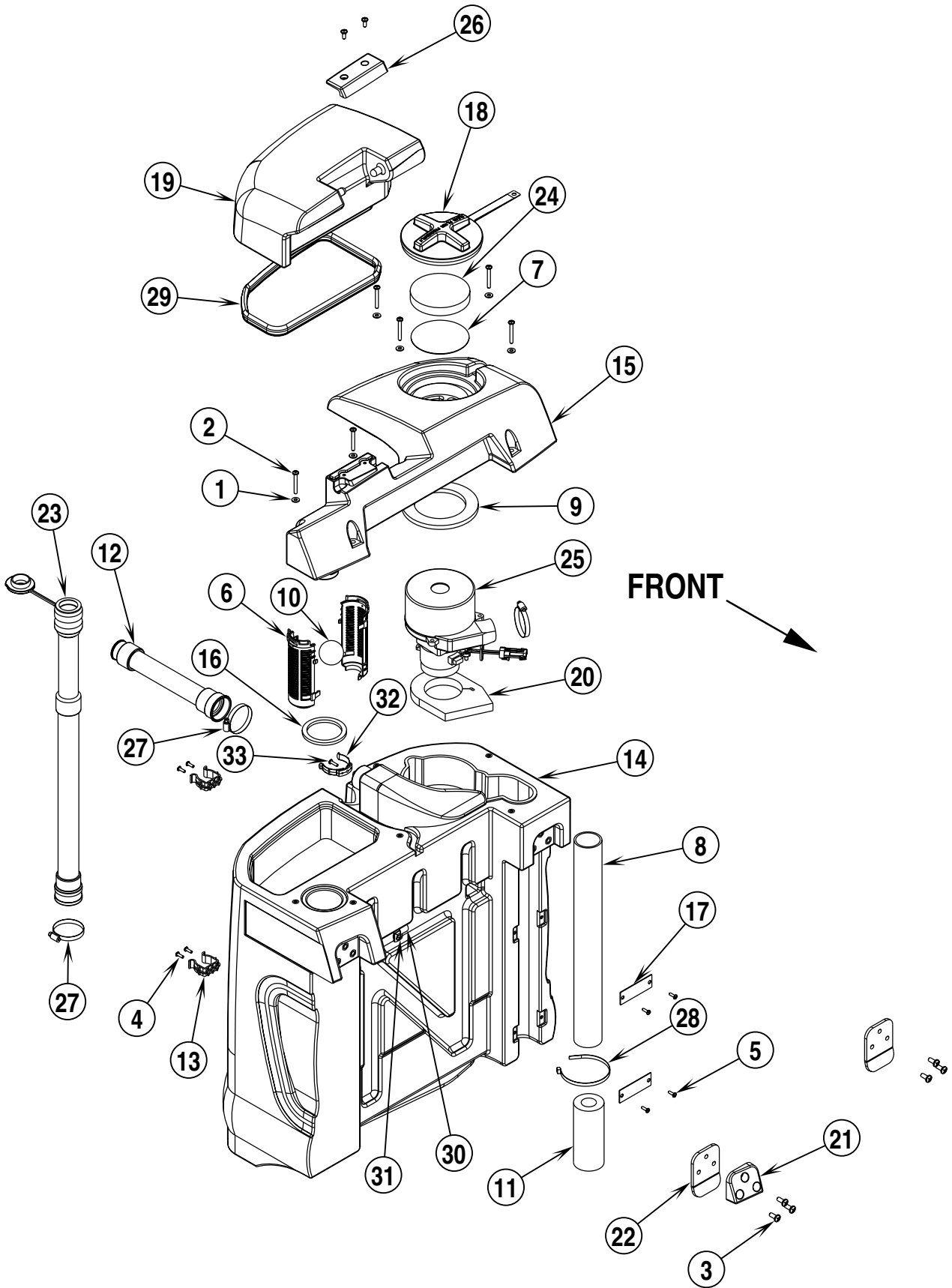
Item	Ref. No.	Qty	Description
	56407471	1	Left Skirt Assembly
1	56001939	2	Wsh, Flt SAE 5/16
2	56003179	1	Scr, Hex Thd To Hd M8-1.25 x 20mm
3	56003389	1	Nut, Hex Nyl Loc M8-1.25
5	56003426	5	Nut, Hex Nyl Loc SS M6-1.0
6	56003431	6	Scr, Hex Hd SS M6-1.0 x 16mm
7	56003441	1	Scr, Hex Nyl Loc M6-1 x 15mm
8	56185263	2	Bearing, Sleeve
9	56320595	2	Bushing .32 x .50 x .28
10	56407411	1	Retainer, Skirt
11	56407413	1	Arm, Mount TSB802
12	56407414	1	Bracket, Mount
13	56407447	1	Skirt
**	56407392	1	Skirt, Oil Resistant
14	56407449	1	Skirt Bracket Weldment
15	56470672	1	Spring, Extension
16	56003178	1	Scr, Hex M8-1.25 x 16mm
	56407470	1	Right Skirt Assembly
1	56001939	2	Wsh, Flt SAE 5/16
2	56003179	1	Scr, Hex Thd To Hd M8-1.25 x 20mm
3	56003389	1	Nut, Hex Nyl Loc M8-1.25
5	56003426	5	Nut, Hex Nyl Loc SS M6-1.0
6	56003431	6	Scr, Hex Hd SS M6-1.0 x 16mm
7	56003441	1	Scr, Hex Nyl Loc M6-1 x 15mm
8	56185263	2	Bearing, Sleeve
9	56320595	2	Bushing .32 x .50 x .28
10	56407411	1	Retainer, Skirt
11	56407413	1	Arm, Mount TSB802
12	56407415	1	Bracket, Mount
13	56407447	1	Skirt
**	56407392	1	Skirt, Oil Resistant
14	56407448	1	Skirt Bracket Weldment
15	56470672	1	Spring, Extension
16	56003178	1	Scr, Hex M8-1.25 x 16mm

** = Optional



99-6	SOLUTION SYSTEM	BOOK E		
02-8	Hydro-Retriever™ 2800, 2800C / BR 700, 700C, 700C-XL	E	6.9.1	21

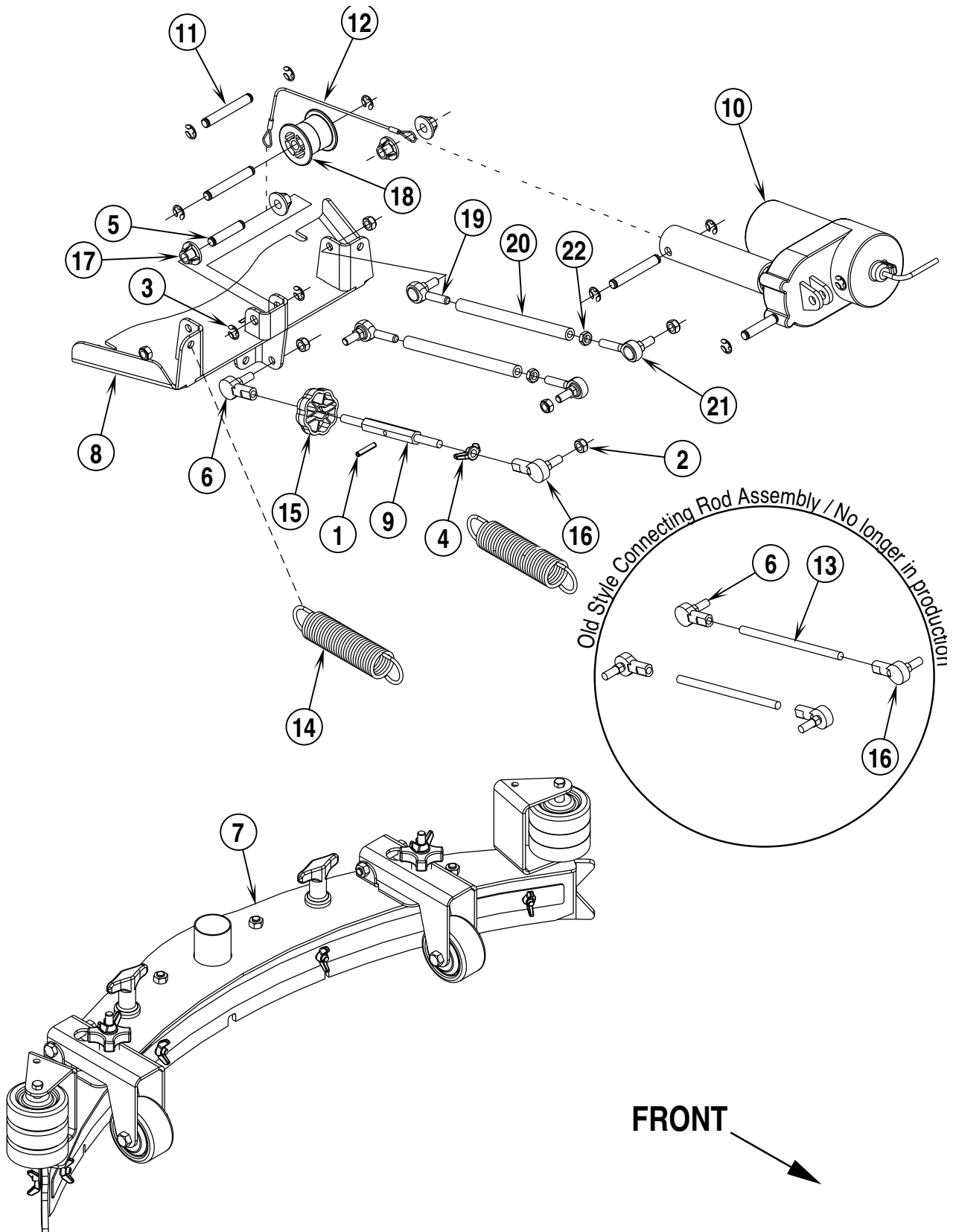
Item	Ref. No.	Qty	Description
1	56003003	2	Scr, Pan Phil 5/16-18 X .62
2	56002066	2	Scr, Pan Phil 1/4-20 x .62
3	56002098	2	Wsh, Flt SAE 1/4
4	56002145	4	Scr, Pan Phil 1/4-20 x .50
5	56002589	1	Scr, Hex Hd 6-32 x .50
6	56002830	1	Nut, Hex Nyl Loc 6-32
7	56009122	8	Wsh, Flt .344 x .938 x .125
8	56219932	8	Clamp, Hose SAE #6
9	56255076	1	Cap, Pipe GHT Nylon
10	56262549	1	Tee, Barb
11	56344265	1	Clamp, Cable
12	56412140	1	Tank, Solution
13	56412173	1	Solution Filter
14	56412174	1	Solution Shut-off Valve
15	56412182	1	Nipple, Hex 3/4-14
16	56412184	2	Barb, Adapter 1/2 x 1/2 NPT
17	56412186	1	Bracket, Solution Control
18	56412201	1	Cover, Solution Tank
19	56412242	1	Cable Support
20	56412269	1	Cable Retainer
21	56412270	1	Bracket, Cable Support
22	56412273	1	Barb, Adapter 1/2 x 3/4 GHT
23	56412275	1	Hose, Solution
24	56412276	1	Hose, Solution
25	56412277	1	Solution Hose
26	56409462	1	Hose, Drain
27	56412279	1	Hinge Pin
28	56324035	1	Barb, 90 Degree Elbow
29	56002124	1	Scr, Pan Phil 10-24 x .62
30	56001954	1	Wsh, Flt SAE #10
31	56368776	1	Washer, Rubber
32	56009005	1	Scr, Pan Phil SS Type B 10-16 x .75
33	56412309	1	Water Level Gauge
34	56412332	1	Clamp, Hose Support
35	56002035	6	Scr, Hex Hd 5/16-18 X .62
36	56412005	1	Left Guard Weld't. TSB 778
37	56412004	1	Right Guard Weld't. TSB 778
38	38002997	4	Scr, Pan Phil 1/4-20 x 1.75 TSB 778
39	56412013	4	Spacer TSB 778
40	56002708	4	Nut, Hex Nyl Loc 1/4-20 TSB 778



99-6	RECOVERY SYSTEM	BOOK E		
02-8	Hydro-Retriever™ 2800, 2800C / BR 700, 700C, 700C-XL	E	6.9.1	23

Item	Ref. No.	Qty	Description
1	56002098	6	Wsh, Flt SAE 1/4
2	56002108	6	Scr, Pan Phil 1/4-20 x 2.00
3	56002793	6	Scr, Pan Phil 5/16-18 x .75
4	56002896	8	Scr, Pan Phil SS 10-24 x .62
5	56009210	2	Scr, Pan Phil Type B 1/4-14 x .62
6	56324497	2	Cage, Float
7	56325531	1	Screen
8	56459937	1	Hose, Vac
9	56385437	1	Gasket
10	56391690	1	Ball, Float
11	56391807	1	Foam, Acoustical
12	56412373	1	Vac Hose Assembly (after SN 1608879 for 2800 & after SN1610480 for BR 700) TSBUS2002-823
	56392170	1	Hose Assembly (before SN 1608880 for 2800 & before SN 1610481 for BR 700) TSBUS2002-823
13	56407361	2	Clamp, Plastic
14	56412152	1	Tank, Recovery (HR 2800) TSBUS2002-823
	56412139	1	Tank, Recovery (BR 700) TSBUS2002-823
15	56412153	1	Vacuum Duct
16	56412154	1	Gasket, Vacuum Duct
17	56412155	2	Bracket, Exhaust Hose
18	56412158	1	Cap Assembly
*	56412156	1	Cap
*	56412157	1	Gasket, Cap
19	56412159	1	Cover, Recovery Tank
20	56412160	1	Separator, Foam
21	56412163	1	Cover, Bracket
22	56412164	2	Bracket, Tank
23	56412206	1	Drain Hose
24	56412217	1	Filter, Round
25	56412300	1	Motor, Vac 24VDC
*	56397098	1	Carbon Brush Set (for 56412300)
26	56412230	1	Hinge, Plastic
27	56440213	3	Clamp, Hose SAE #32
28	56477613	1	Tie, Cable
29	56412068	1	Gasket, Cut
30	56469380	1	Clamp, P
31	56002145	1	Scr, Pan Phil 1/4-20 x .50
32	56412093	1	Hose Clasp
33	56002192	1	Scr, Pan Phil 10-24 x .75

* = Not Shown

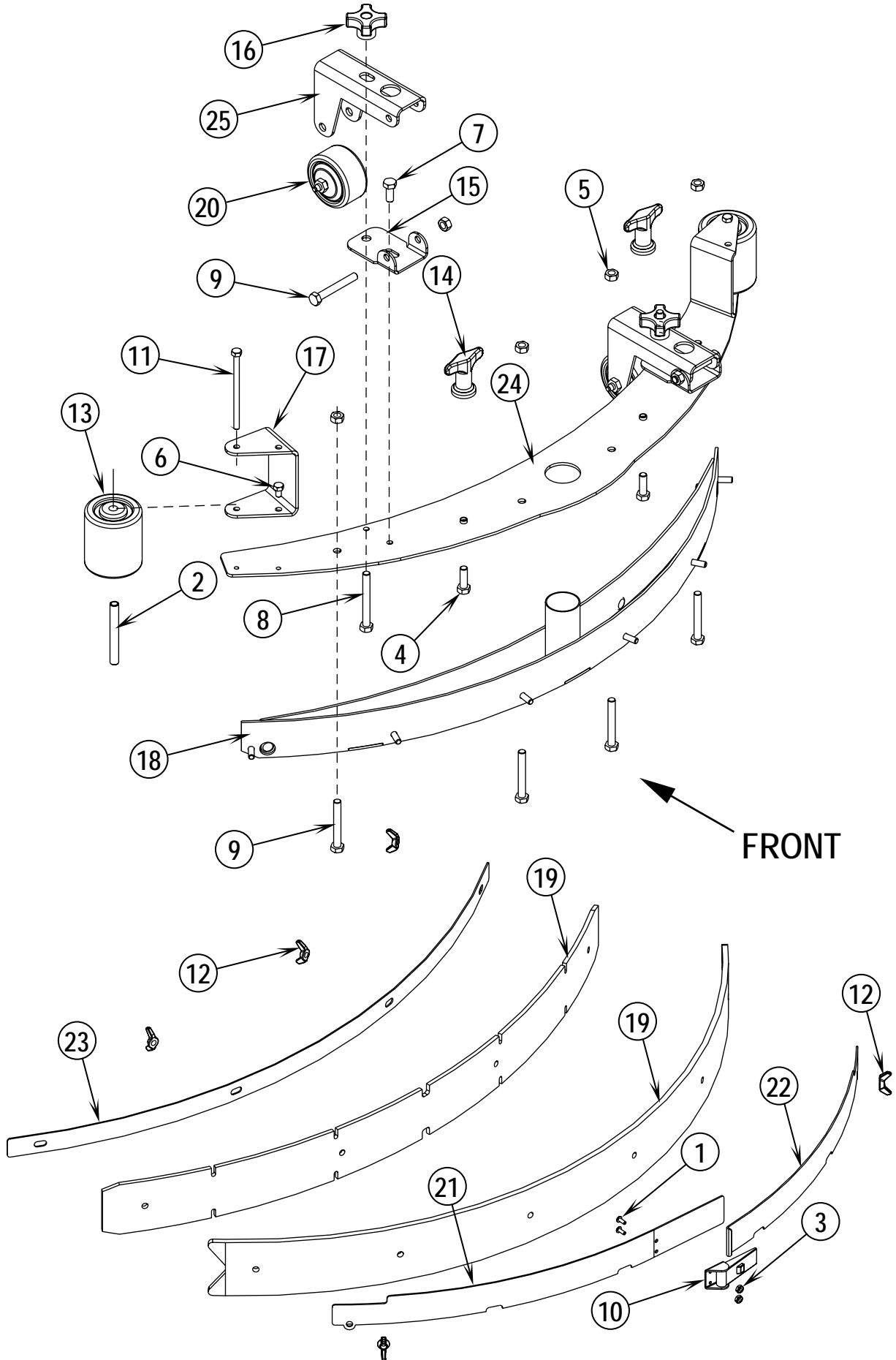


99-6	SQUEEGEE SYSTEM	BOOK E		
02-2	Hydro-Retriever™ 2800, 2800C / BR 700, 700C, 700C-XL	E	6.9.1	25

Item	Ref. No.	Qty	Description
1	56002082	1	Pin, Spr. .19 x 1.00
2	56002866	6	Nut, Hex Nyl Loc-Thin 5/16-24
3	56003262	10	Ring, Ret Ext Type E .38 Dia.
4	56003497	1	Nut, Wing SS 5/16-24
5	56104760	2	Pin
6	56395755	3	End, Rod (qty of 1 in current production units) NOTE*
7	56412025	1	Squeegee Assembly (28")
	56412356	1	Squeegee Assembly (32")
8	56412036	1	Squeegee Mount Weldment
9	56412067	1	Connecting Rod
10	56412072	1	Actuator, Motor
*	56393790	1	Replacement Limit Switch (2 required)
11	56412088	3	Pin
12	56412340	1	Cable Assembly TSB 752
13	56412121	2	Connecting Rod NOTE*
14	56412216	2	Spring, Extension
15	56412284	1	Knob, Squeegee Adjust
16	56477756	3	Rod End (qty of 1 in current production units) NOTE*
17	56412248	4	Spacer, Squeegee Cable
18	56412208	1	Roller
19	56412313	2	Rod End 5/16 L. H.
20	56412314	2	Connecting Rod
21	56412312	2	Rod End 5/16
22	56001884	2	Nut, Hex Jam 5/16-24

* = Not Shown

NOTE* = Item 13 (Connecting Rod) is no longer available. Order a quantity of (1) of each of items 19-22 to replace a damaged item 13.

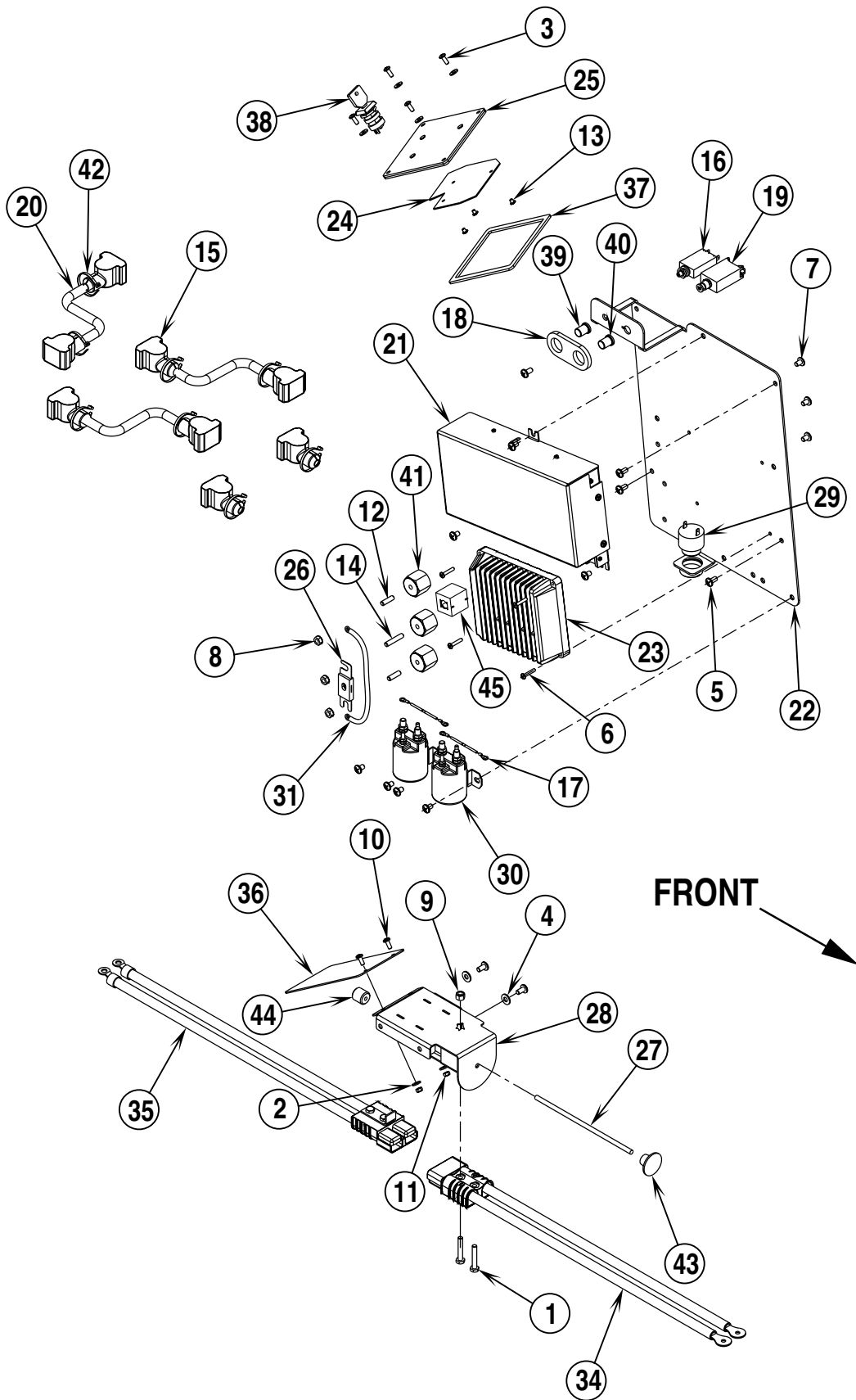


99-6	SQUEEGEE ASSEMBLY	BOOK E		
04-5	Hydro-Retriever™ 2800, 2800C / BR 700, 700C, 700C-XL	E	6.9.1	27

Item	Ref. No.	Qty	Description
	56412025	1	Squeegee Assembly (28")
	56412356	1	Squeegee Assembly (32")
1	56002909	2	Scr, Pan Phil SS 6-32 x .38
2	56412176	2	Bushing
3	56002964	2	Nut, Hex Nyl Loc-Thin SS 6-32
4	56003319	2	Scr, Hex Thd To Hd SS 5/16-18 x 1.00
5	56003405	6	Nut, Hex Nyl Loc SS M8-1.25
6	56003498	2	Scr, Hex Hd SS M6-1.0 x 10mm
7	56003435	2	Scr, Hex Hd SS M8-1.25 x 20mm
8	56003649	2	Scr, Hex Thd To Hd SS 5/16-18 x 2.75
9	56003464	6	Scr, Hex Hd SS M8-1.25 x 60mm
10	56471194	1	Latch
11	56003492	2	Scr, Hex M6-1.0 x 95mm
12	56009111	6	Nut, Wing SS 1/4-20
13	56412459	2	Wheel
14	56370711	2	Nut, Thumb
15	56407302	2	Bracket
16	56407510	2	Knob
17	56407365	2	Bracket
18	56412026	1	Tool Weldment (28")
	56412363	1	Tool Weld'ment (32")
19	56412265	1	Standard Squeegee Blade Kit (28") NOTE #1
	56412370	1	Standard Squeegee Blade Kit (32") NOTE #1
20	56412124	2	Wheel
21	56412031	1	Strap, Left Rear (28")
	56412360	1	Strap, Left Rear (32")
22	56412032	1	Strap, Right Rear (28")
	56412359	1	Strap, Right Rear (32")
23	56412033	1	Strap, Front (28")
	56412362	1	Strap, Front (32")
24	56412035	1	Plate (28")
	56412357	1	Plate (32")
25	56412099	2	Bracket
			28" Accessories NOTE #1
**	56412265	1	Standard Squeegee Blade Kit
**	56412288	1	Neoprene Squeegee Blade Kit
**	56412337	1	Blade, Front-Tile Linard
			32" Accessories NOTE #1
**	56412370	1	Standard Squeegee Blade Kit
**	56412371	1	Neoprene Squeegee Blade Kit
**	56412369	1	Blade, Front-Tile Linard

** = Optional

NOTE #1: All squeegee blade kits include both front and rear squeegee blades.

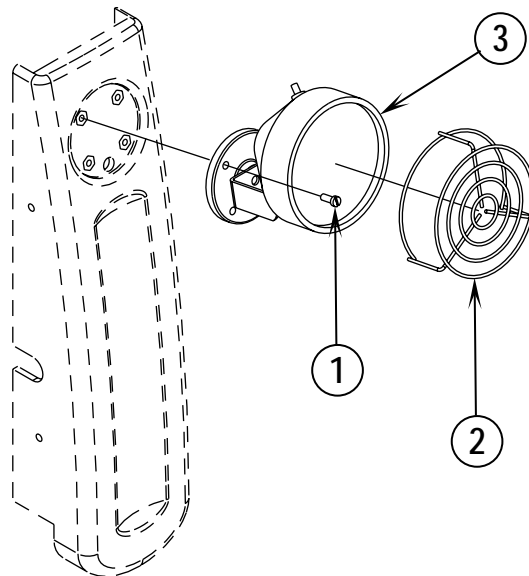
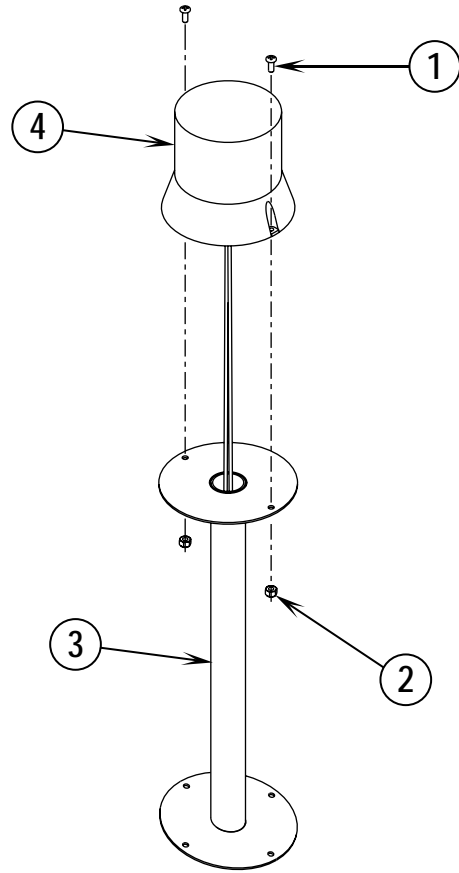
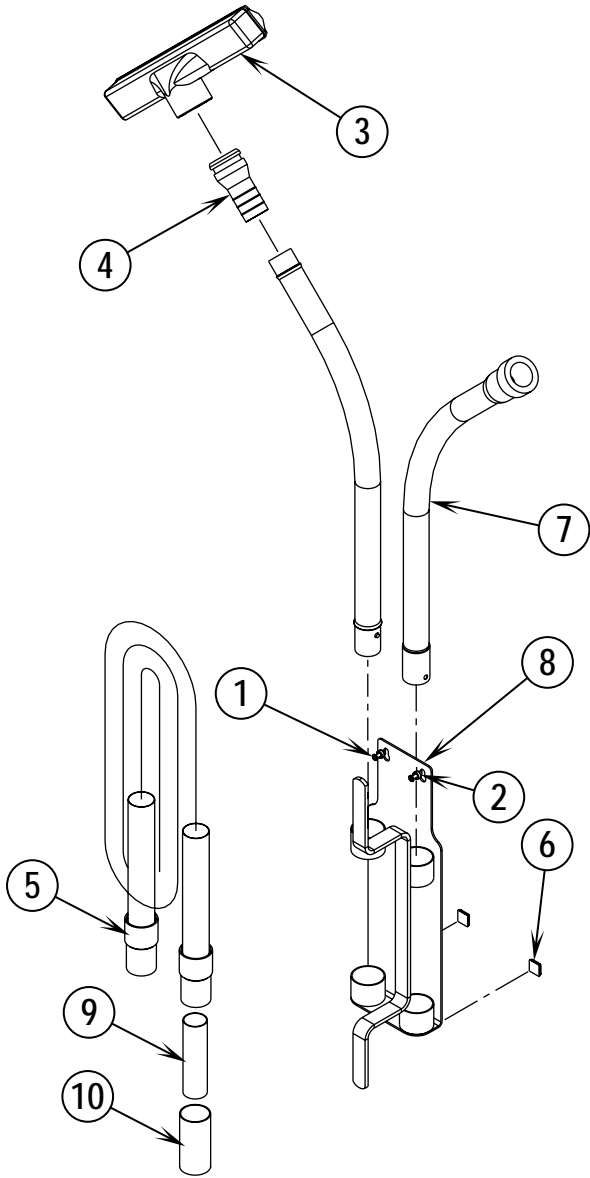


99-6	ELECTRICAL SYSTEM	BOOK E		
04-5	Hydro-Retriever™ 2800, 2800C / BR 700, 700C, 700C-XL	E	6.9.1	29

Item	Ref. No.	Qty	Description
1	56001833	2	Scr, Hex Hd 1/4-20 x 1.50
2	56001954	6	Wsh, Flt SAE #10
3	56001993	4	Scr, Pan Phil 10-24 x .50
4	56002098	2	Wsh, Flt SAE 1/4
5	56002145	6	Scr, Pan Phil 1/4-20 x .50
6	56002318	4	Scr, Pan Phil 8-32 x .88
7	56002462	11	Scr, Pan Phil 1/4-20 x .38
8	56002561	3	Nut, Hex W/Shprf 1/4-20
9	56002708	2	Nut, Hex Nyl Loc 1/4-20
10	56003377	2	Scr, Pan Phil M5 x 12mm
11	56003402	2	Nut, Hex Nyl Loc M5-.80
12	56009020	2	Stud
13	56009055	3	Scr, Pan Phil 8-32 x .19
14	56009203	1	Stud, 1/4-20
15	56372673	8	Boot, Battery Post
16	56387316	1	Circuit Breaker, 10 Amp
17	56389265	2	Rectifier Assy
18	56407193	1	Gasket
19	56407343	1	Circuit Breaker, 45 Amp
20	56409485	3	Cable, Battery
*	56398090	8	Terminal Clamp, Battery
21	56412050	1	Control Box Assembly
22	56412051	1	Panel, Electrical
23	56412053	1	Controller, 24V
24	56412081	1	Display PCB Assembly
25	56412085	1	Display Panel Assembly
26	56412089	1	Fuse, 150 Amp
27	56412127	1	Rod, Disconnect
28	56412130	1	Disconnect Support Weldment
29	56412177	1	Horn / Backup Alarm
30	56412179	2	Contact, 24VDC
31	56412180	1	Cable Assembly
32	56412181	1	Cable Assembly (not shown)
33	56412200	1	Harness, Main (not shown)
34	56412228	1	Cable Assembly 1 AWG
35	56412229	1	Cable Assembly 1 AWG
36	56412264	1	Splash Guard
37	56412274	1	Gasket
38	56420113	1	Switch, Key
*	56420158	A/R	Replacement Key
39	56459367	1	Boot, Reset Button
40	56459368	1	Boot, Reset Button
41	56469858	3	Standoff, Insulated
42	56478246	8	Tie, Cable
43	56478605	1	Knob
44	56478660	1	Block
45	56412299	1	Cable Suppression Core
**	56412271	1	Charger, 24VDC, Auto, 40 Amp, 230VAC
**	56412272	1	Charger, 24VDC, Auto, 40 Amp, 120VAC
**	56409441	1	Programmer, 1311 User
**	56409823	1	Programmer Cable

* = Not Shown

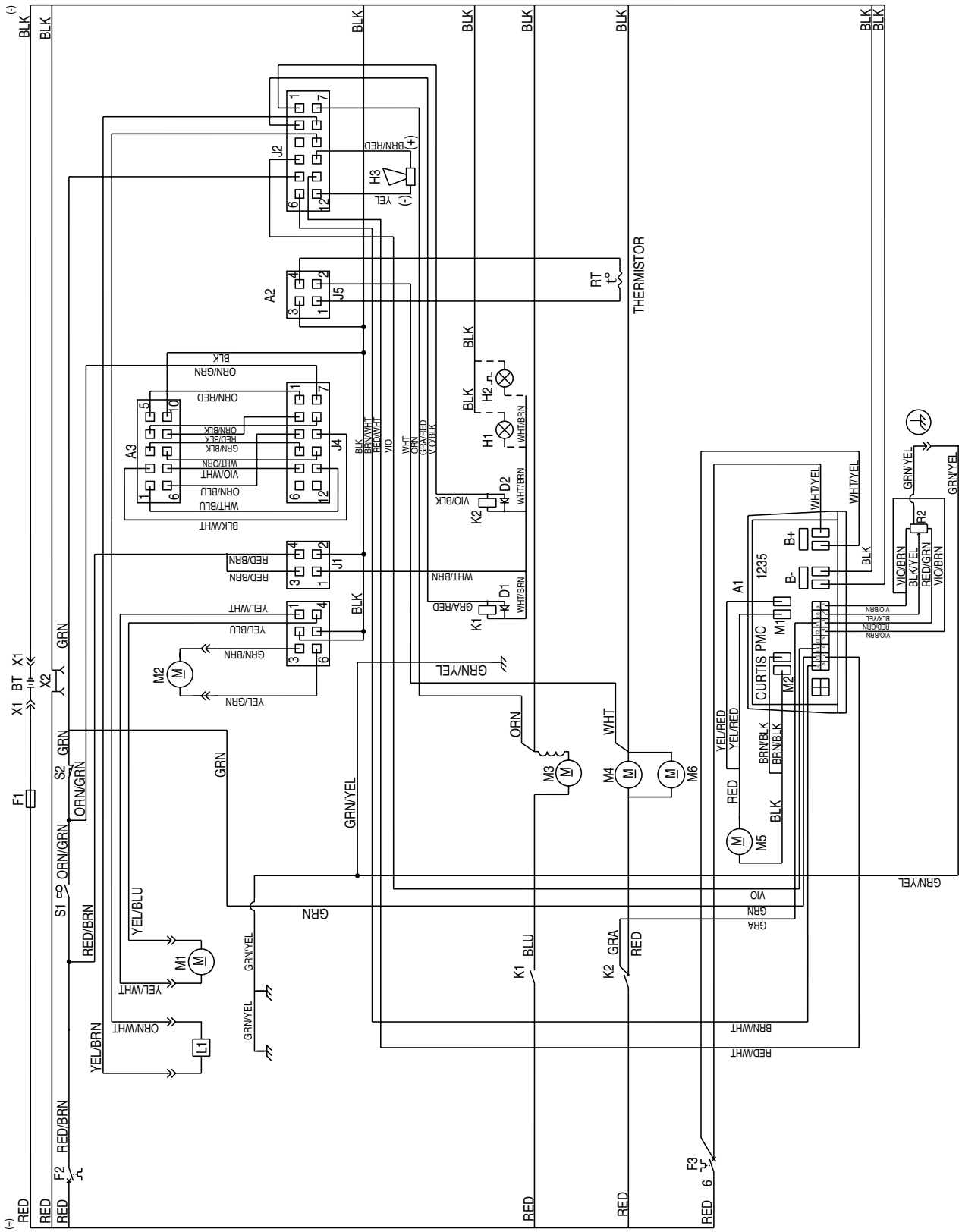
** = Optional



99-6	OPTIONAL KITS	BOOK E		
04-2	Hydro-Retriever™ 2800, 2800C / BR 700, 700C, 700C-XL	E	6.9.1	31

Item	Ref. No.	Qty	Description
	56412223	1	Vacuum Wand Caddy Kit
*	56040686	1	Instruction Sheet
1	56002124	2	Scr, Pan Phil 10-24 x .62
2	56412310	2	Spacer, Stepped
3	56205114	1	Squeegee Tool, 14"
4	56301339	1	Coupler
5	56329062	1	Vac Hose, 1.50
6	56402940	2	Bumper
7	56409563	1	Wand, 2 Piece
8	56412227	1	Caddy Weldment
9	56204536	1	Extension Coupler
10	56314399	1	Coupler
	56412224	1	Beacon Kit
*	56040687	1	Instruction Sheet
1	56001993	2	Scr, Pan Phil 10-24 x .50
2	56002768	2	Nut, Hex Nyl Loc 10-24
3	56412253	1	Weldment, Beacon
4	56416433	1	Strobe
*	56416435	1	Lens, Amber (for 56416433)
*	56416436	1	Flash Tube (for 56416433)
	56412222	1	Headlight Kit
*	56040688	1	Instruction Sheet
1	56002507	4	Scr, Pan Phil 1/4-20 x .75
2	56409557	1	Guard, Headlight
3	56412185	1	Headlight, 24V
*	56172230	2	Term, .25 Ins tab

* = Not Shown



99-6	WIRING DIAGRAM	BOOK E		
04-5	Hydro-Retriever™ 2800, 2800C / BR 700, 700C, 700C-XL	E	6.9.1	33

Item	Ref. No.	Qty	Description
A1	56412053	1	Controller, 24V
A2	56412050	1	Control Box Assembly
A3	56412081	1	Display PCB Assembly
BT	56388582	6	Battery, 6V 395A/H
D1	56389265	1	Diode
D2	56389265	1	Diode
F1	56412089	1	Fuse, 150 Amp
F2	56387316	1	Circuit Breaker, 10 Amp
F3	56407343	1	Circuit Breaker, 45 Amp
H1	56412185	1	Headlight (optional)
H2	56416433	1	Strobe Light (optional)
*	56416435	1	Lens, Amber (for 56416433)
*	56416436	1	Flash Tube (for 56416433)
H3	56412177	1	Horn / Backup Alarm
K1	56412179	1	Contact, Vac Motor
K2	56412179	1	Contact, Brush Motor
L1	56412076	1	Solenoid Valve
M1	56393303	1	Lift Actuator, Brush
M2	56412072	1	Lift Actuator, Squeegee
M3	56412218	1	Motor, Vac 24VDC
*	56397098	1	Carbon Brush Set (for 56412218)
M4	56412214	1	Motor, Brush (HR 2800 / BR 700)
	56412178	1	Motor, Brush (HR 2800C / BR 700C)
M5	56412168	1	Motor, Drive Wheel
M6	56412178	1	Motor, Brush (HR 2800C / BR 700C)
R1		1	Thermistor
R2	56454740	1	Potentiometer, 5K
S1	56420113	1	Switch, Key
S2	56409613	1	Switch, Seat
X1		1	Battery Disconnect
X2		1	Charger Connector

* = Not Shown

** = Optional

We manufacture brushes and pad holders that will give you the best possible performance between machine and floor. Following are descriptions of the materials and their applications.

- Union Mix:** Medium grade natural fibers for polishing finished floors with standard-speed equipment. Recommended for use in place of white pads.
- ProLite:** Bristles are made from light-duty polypropylene for general scrubbing when you do not want to scratch or remove finish from the floor. Recommended for use in place of red pads.
- Prolene:** Polypropylene material for medium-duty scrubbing on concrete, terrazzo and vinyl floor tile. Recommended for use in place of green or blue pads.
- Magna Grit 46:** For extreme heavy-duty scrubbing or stripping of floors. This brush has extra large diameter silicon carbide grit impregnated synthetic bristles. Recommended for use in place of black pads.
- Dyna Grit 80:** For aggressive, heavy-duty scrubbing or stripping of floors. Recommended for use in place of brown pads.
- MidLite Grit 180:** For general purpose scrubbing of sealed or unsealed concrete, stone, terrazzo, quarry tile and other resilient hard floor surfaces. Recommended for use in place of green or blue pads.
- MidGrit 240:** For general purpose scrubbing when you need a lighter action for sealed or unsealed concrete, stone, terrazzo, quarry tile and other resilient hard floor surfaces. Recommended for use in place of green or blue pads.
- AgLite Grit 500:** For light scrubbing when used wet; buffing or polishing when used dry on urethane coated, sealed concrete or other resilient hard surface floors. Recommended for use in place of red or white pads.
- Short Trim Pad Holder:** Made with a structural foam block and center ring for correct pad centering. It has a "shower feed" design for getting solution to the floor.

- Ref. No.:** 56505770 - Short Trim Pad Holder
 56505771 - Magna Grit 46
 56505772 - Dyna Grit 80
 56505773 - AgLite Grit 500
 56505774 - Prolene
 56505775 - ProLite
 56505776 - Union Mix
 56505777 - MidGrit 240
 56505778 - MidLite Grit 180

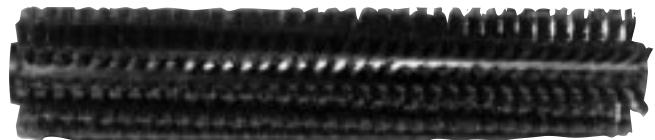


99-6	BRUSH SELECTOR GUIDE (CYLINDRICAL)	BOOK E		
02-2	Hydro-Retriever™ 2800, 2800C / BR 700, 700C, 700C-XL	E	6.9.1	35

We manufacture brushes and pad holders that will give you the best possible performance between machine and floor. Following are descriptions of the materials and their applications.

- 46 Grit Brush: Most aggressive grit brush. Used primarily to clean heavy buildup on concrete floors in factories, or for heavy stripping of finish.
- 80 Grit Brush: Medium aggressive grit brush. Good all-around brush for medium to heavy buildup removal. Can also be used for general stripping operations.
- 180 Grit Brush: Least aggressive grit brush. Used for daily cleaning of hard-finished floors.
- Polypropylene Brush: Standard equipment brush. Low cost, yet effective in cleaning many common floor surfaces.
- Stiff Nylon Brush: Cleaning action similar to polypropylene. More durable and wear-resistant than polypropylene.
- Soft Nylon Brush: Least aggressive brush available. Used on soft-finish floors where a more aggressive brush would leave scratch marks, or in applications requiring very light cleaning.

- Ref. No.: 28" BRUSHES**
56412046 - Polypropylene
56412191 - Soft Nylon
56412192 - Hard Nylon
56412193 - 180 Grit
56412194 - 80 Grit
56412195 - 46 Grit



- Ref. No.: 32" BRUSHES**
56407473 - Soft Nylon
56407474 - Hard Nylon
56407475 - Polypropylene
56407476 - 180 Grit
56407477 - 80 Grit
56407478 - 46 Grit

Austria (Sales Sub)

Nilfisk-Advance GmbH	Phone: +43
Voralberger Allee 46	1616 58 30 22
A-1230 Wien	Fax: +43
info@nilfisk-advance.at	1616 58 30 40
www.nilfisk-advance.at	

Belgium (Sales Sub)

Nilfisk-Advance NV/SA	Phone: +32
Doornveld Sphere Business Park	(0)2467 60 50
Industrie Asse 3, No. 11	Fax: +32
B-1731 Zellik-Asse	(0)2463 44 16
www.nilfisk-advance.be	

Czech Republic (Sales Sub)

Nilfisk-Advance s.r.o.	Phone: +420
Lysinská 44/1863	2 44 09 09 12
143 00 Praha - Modrany	+420
Czech Republic	2 44 09 09 21 4
	Fax: +420
	2 44 40 23 93

Denmark

Nilfisk-Advance A/S	Phone: +45
Sognevej 25	43 23 81 00
DK-2605 Brøndby	Fax: +45
mail@nilfisk-advance.dk	43 43 77 00
www.nilfisk-advance.com	

Denmark (Prod. Sub)

Gerni A/S	Phone: +45
Myntevej 2	89 12 22 00
DK-8900 Randers	Fax: +45
www.gerni.com	86 43 14 81

Denmark (Sales Sub)

Nilfisk-Advance Nordic A/S	Phone: +45
Sognevej 25A	43 23 40 50
Postbox 344	Fax: +45
DK-2605 Brøndby	43 23 40 60
kundeservice@nilfisk-advance.dk	
www.nilfisk-advance.dk	

France (Sales Sub)

Nilfisk-Advance S.A.	Phone: +33
27 avenue de la Baltique	1695 98 700
Villebon sur Yvette	Fax: +33
P.B. 246	1695 98 701
F-91944 Courtaboeuf Cedex	
info@nilfisk-advance.fr	
www.nilfisk-advance.fr	

Germany (Sales Sub)

Nilfisk-Advance AG	Phone: +49
Siemensstrasse 25-27	4101 3990
Postfach 1361	Fax: +49
D-25462 Rellingen	4101 39 91 91
info@nilfisk-advance.de	
www.nilfisk-advance.de	

Greece (Sales Sub)

Nilfisk-Advance A.E.	Tel.: +30
8, Thoukididou Str.	210 963 3443
Argioupoli	Fax: +30
Gr - 164 52 Athens	210 965 0975
Greece	

Holland (Sales Sub)

Nilfisk-Advance B.V.	Phone: +31
Camerastraat 9 (2e verdieping)	36 546 07 00
1322 BB Almere	Fax: +31
Postbus 60112	36 523 51 48
1320 AC Almere	
www.nilfisk-advance.nl	

Ireland (Sales Sub)

Nilfisk-Advance Limited	Phone: +35
28 Sandyford Office Park	3 12 94 38 38
Sandyford, Dublin 18	Fax: +35
Ireland	3 12 94 38 45

Italy (Prod & Sales Sub)

CFM SpA	Phone: +39
Nilfisk-Advance Div. Guardamiglio	0377 /414021
Localita Novella III	/45 1124
I-26862 Guardamiglio (Mi)	Fax: +39
	0377 51 443

Italy (Prod & Sales Sub)

CFM S.p.A.	Phone: +39
Via Porrettana 1991	059 973 0000
I-41059 Zocca (Modena)	Fax: +39
cfm@cfm.it	059 973 0099

Norway (Sales Sub)

Nilfisk-Advance AS	Phone: +47
Ulvenveien 89C	23 06 75 00
N-0581 Oslo	Fax: +47
	23 06 75 01

Poland (Sales Sub)

Nilfisk-Advance Sp.Z.O.O.	Phone: +48
05-800 Pruszków	22 738 37 50
ul. 3-go MAJA 8	Fax: +48
Poland	22 738 37 51

Portugal (Sales Sub)

Nilfisk-Advance, Lda.	Phone: +35
Sintra Business Park	121 911 2670
Zona Industrial Da Abrunheira	Fax: +35
Edificio 1, 1o A	121 911 2679
P-2710-089 Sintra	

Russia (Sales Sub)

Nilfisk-Advance LLC	Phone: 7
Vyatskaya str. 27, bld. 7	095 783 9602
127015 Moscow	Fax: +7
Russia	095 783 9603

Spain (Sales Sub)

Nilfisk-Advance S.A.	Phone: +34
Torre D'Ara	93 741 2400
Passeig del Rengle, 5 Pl.10	Fax: +34
E-08302 Mataró (Barcelona)	93 757 8020
nilfisk@nilfisk-advance.es	

Sweden (Sales Sub)

Nilfisk -Advance A/S	Phone: +46
Sjöbjörnsvägen 5	8555 94400
Box 44045	Fax: +46
S-100 73 Stockholm	8555 94430
info@nilfisk-advance.se	
www.nilfisk-advance.se	

Sweden (Prod.)

Nilfisk-Advance A/S	Phone: +46
Åmål Branch	5321 7500
Strömsbergsgatan	Fax: +46
Box 127	5321 7595
S-662 23 Åmål	

Switzerland (Sales Sub)

Nilfisk-Advance AG	Phone: +41
Ringsstrasse 19	71 92 38 444
Kirchberg/Industrie Stelzl	Fax: +41
CH-9500 Wil	71 92 35 283
www.nilfisk-advance.ch	

UK (Sales Sub)

Nilfisk-Advance Limited	Phone: +44
Newmarket Road	1284 763163
Bury St. Edmunds	Fax: +44
UK-Suffolk IP33 3SR	1284 750 562

USA (Prod.)

Nilfisk-Advance Inc.	Phone: +1 763
14600 21.st Avenue North	745 3500
Plymouth, MN 55447-3408	Fax: +1 763
www.mn.nilfisk-advance.com	745 3718

USA (Sales Sub)

Nilfisk-Advance America Inc.	Phone: +1 610
300 Technology Drive	647 6420
Malvern, PA 19355	Fax: +1 610
www.pa.nilfisk-advance.com	647 6427

Canada (Sales Sub)

Nilfisk-Advance Canada Comp.	Phone: +1 905
396 Watline Avenue	712 3260
Mississauga, Ontario L4Z 1X2	Fax: +1 905
	712 3255

Australia (Sales Sub)

Nilfisk-Advance Pty. Ltd.	Phone: +61(0)2
48 Egerton Street	9648 2700
Silverwater, NSW 2128	Fax: +61(0)2
Postal addresse:	9648 2711
PO Box 6046	
Silverwater. NSW 1811	
info@nilfisk-advance.com.au	
www.nilfisk-advance.com.au	

China (Shenzhen)

Nilfisk-Advance (Shenzhen) Ltd	Phone: +86 755
Blok 3, Unit 130, 1001 Honghua Road	8359 7937 el.
Int. Commercial & Trade Center	8359 7939-42
Fuitian Free Trade Zone	Fax: +86 755
518038 Shenzhen	8359 1063
P.R. China	

China (Suzhou)

Nilfisk-Advance Professional	Phone: +86 512
Cleaning Equipment (Suzhou) Co. Ltd.	8918 5656
306 Su Hong Zhong Road, Build. 2	Fax: +86 512
Suzhou Industrial Park	8918 5666
215021 Suzhou	
P.R. China	

Hong Kong (Sales Sub)

Nilfisk-Advance Ltd.	Phone: +852
2001 HK Worsted Mills Ind'l Bldg.,	2427 5951
31-39 Wo Tong Tsui St.	Fax: +852
Kwai Chung, Hong Kong	2487 5828

Japan (Sales Sub)

Nilfisk-Advance Inc.	Phone: +8145
3-17-40-101 Chigasaki Higashi	942 7741
Tsuzuki-ku, Yokohama 224-0033	Fax: +8145
Japan	942 6545

Malaysia (Sales Sub)

Nilfisk-Advance Sdn Bhd	Phone: +60 3
No. 21, Jalan SS 25/41	7956 8188
Mayang Industrial Park	Fax: +60 3
47301 Petaling Jaya	7966 6828
Selangor, Malaysia	

New Zealand (Sales Sub)

Nilfisk-Advance Limited	Phone: +64(0)9
Danish House	525 0092
6 Rockridge Avenue	Fax: +64(0)9
Penrose 92-829	525 6440
Auckland1135	
Postal addresse:	
Private Bag 92 825	
Auckland	
New Zealand	

Singapore (Sales Sub)

Nilfisk-Advance Pte. Ltd.	Phone: + 65
22,Woodlands Industrial Park E1	6 7599100
Singapore 757740	Fax: +65
sales@nilfisk-advance.com.sg	7599133

Taiwan, ROC (Sales Sub)

Nilfisk-Advance Ltd.	Phone: +886
Taiwan Branch (H.K.)	2 2239 8812
1F, No. 193, Sec.2	Fax: +886
Xing Long Rd., Taipei	2 2239 8832
Taiwan, R.O.C.	

Thailand (Sales Sub)

Nilfisk-Advance Co. Ltd.	Phone: +66 2
89 Soi Chokechai-Ruammitr	275-5630
Viphavadee-Rangsit Road	Fax: +66 2
Ladyao, Jatuchak, Bangkok 10900	691-4079
Thailand	



www.nilfisk-advance.com

© 2004 Printed in USA