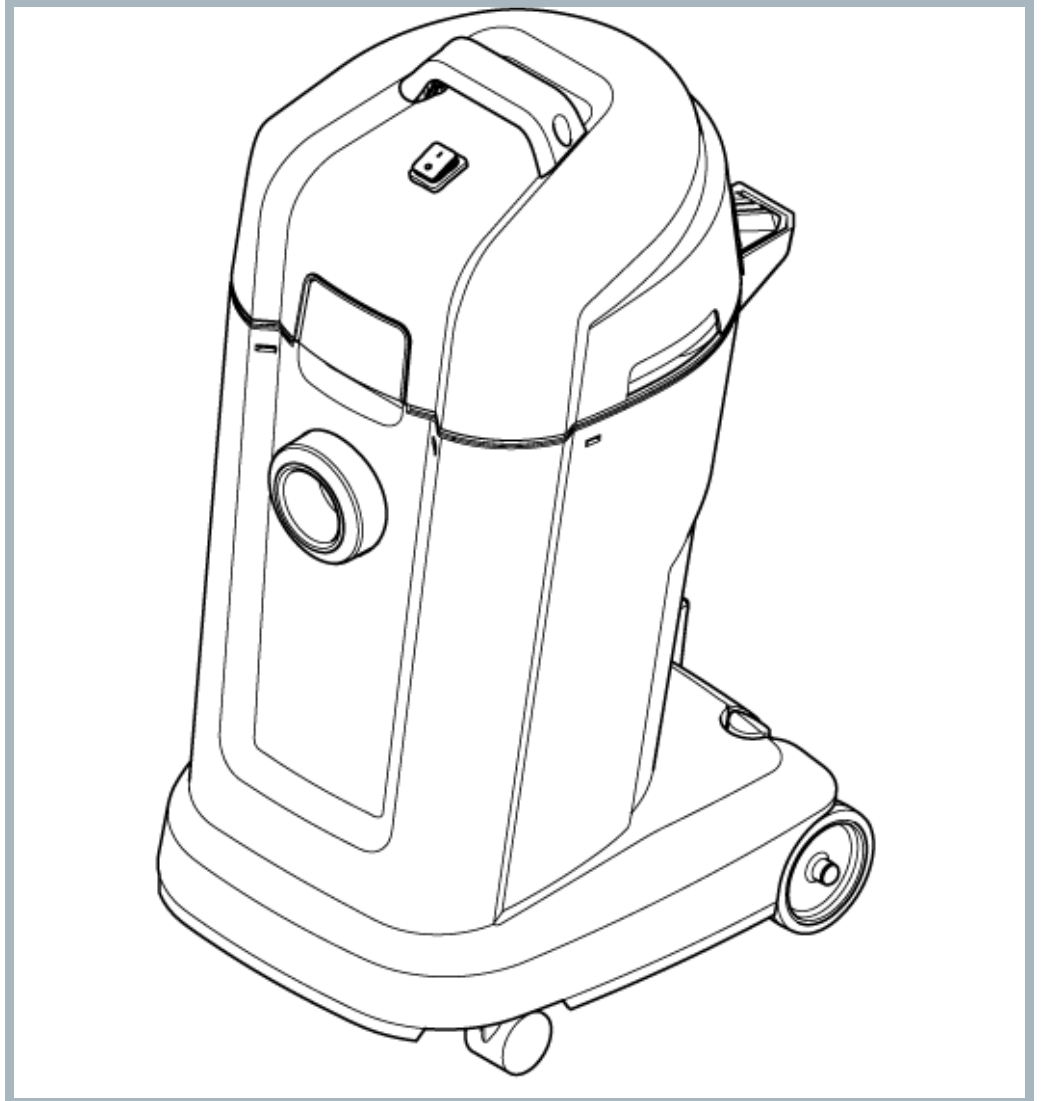


MAXXI 35 ALTO

Model:
MAXXI II - 35 -
Nilfisk-ALTO



Part List US-English

09-07-2014

Nilfisk
ALTO
works for you

www.nilfisk-alto.com

Table of Contents

MAXXI 35 ALTO

Top 35	3
Container 35 BSF, BDF, EDF	5
Filters and bags 35	7
Accessories 35	9
Recommended Spare Parts	11

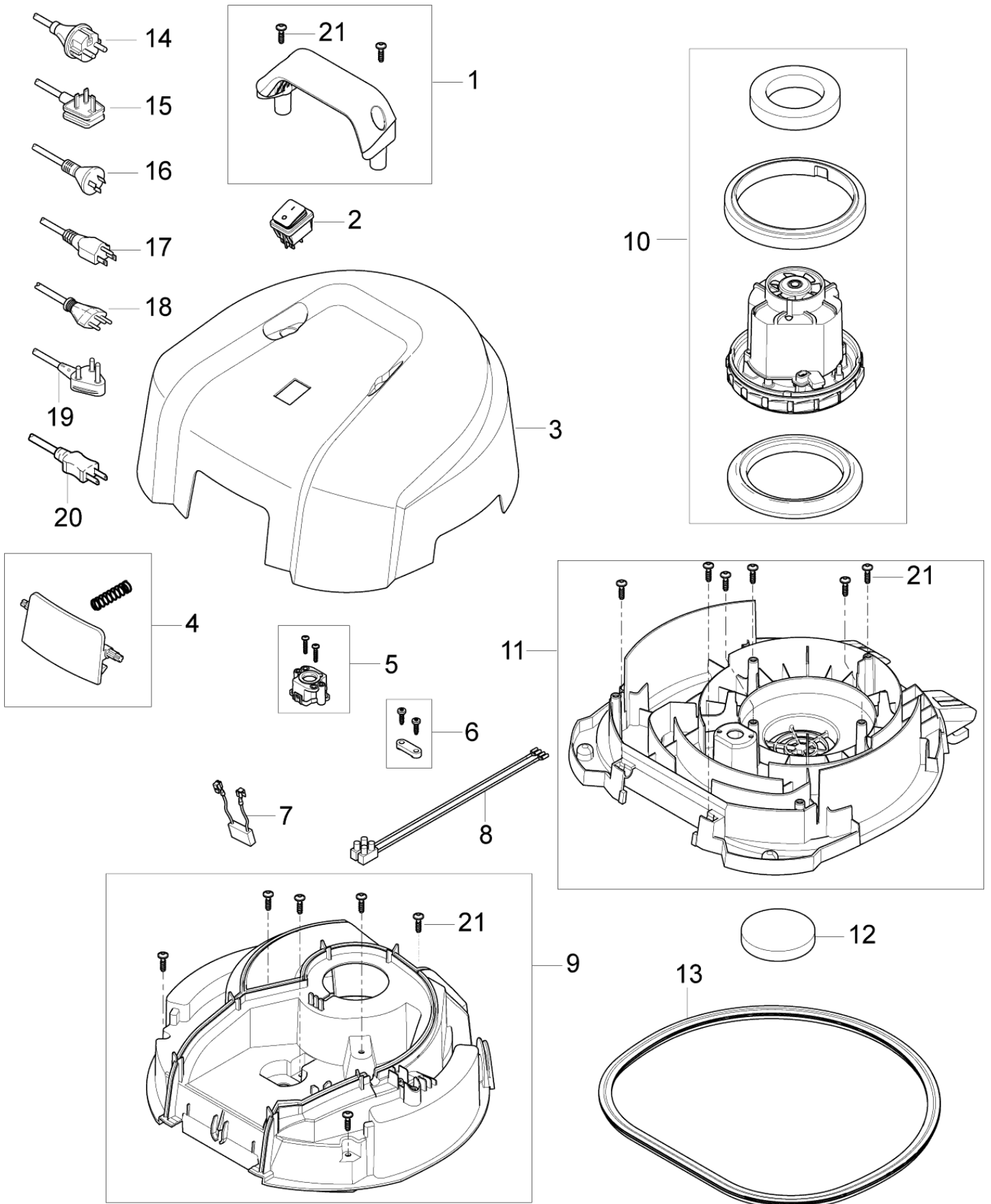
Top 35

MAXXI35 ALTO

09-07-2014

Part List ID
MAXXIII02

3



Top 35

MAXXI 35 ALTO

09-07-2014

Part List ID
MAXXIII02

4

Pos	Part no.	Qty	Description	
0	107410810	1	PACKAGING VL500/MAXXI 35 - KIT	
01	107407234	1	HANDLE F. 35L BIN MAXXI	
02	107404540	1	SWITCH 0-1 DOUBLE POLE SET	
03	107407306	1	HOOD 35L MAXXI	
04	107407236	1	CLAMP F. 75-55-35 L BIN MAXXI	
05	107407237	1	VACUUM VALVE CPL.	
06	140 6560 500	1	ANTI STRAIN CLIP	
07	48338	1	ANTI-INTERFERENCE CAPACITOR	
08	140 7042 500	1	WIRE INTERNAL FOR GWD 300	
09	107407238	1	CLAMPINGPLATE 35L	
10	302003384	1	MOTOR KIT 1200W 230V	
10	302003388	1	MOTOR KIT 1000W 120V	
11	107407240	1	BASEPLATE 35L 1 MOTOR MAXXI	
12	140 8682 500	1	MOTOR FILTER	
13	107407241	1	GASKET F. BASEPLATE 35L	
14	12222501	1	CORD SET EU L 10M	
15	12222503	1	CORD SET UK L 10M	UK
16	12222506	1	CORD SET AU/NZ L 10M	
17	107401614	1	CORD SET US/TW 3C 15.5M YELLOW	
18	12222507	1	CORD SET CH L 10M	
19	107407242	1	POWER CORD H05VV-F 2X1.00 SABS 164-1 16A	
20	140 6702 500	1	CORD SET JP 15.5M	
21	302003704	8	SCREW EJOT DELTA PT50X18WN5451	

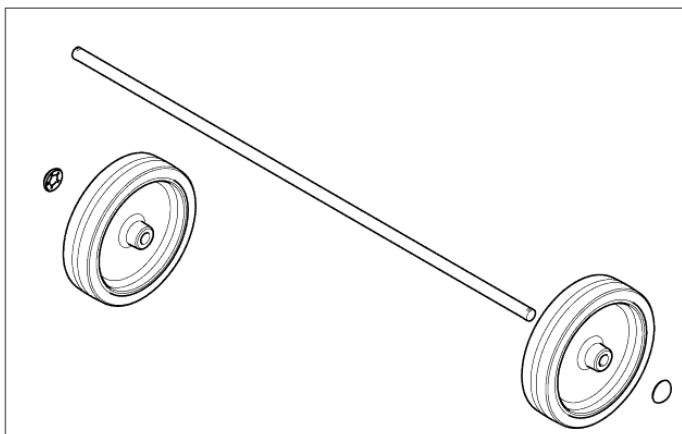
Container 35 BSF, BDF, EDF

MAXXI35 ALTO

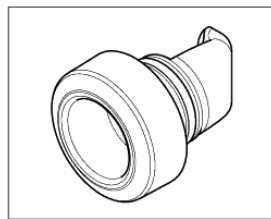
09-07-2014

Part List ID
MAXXIII08

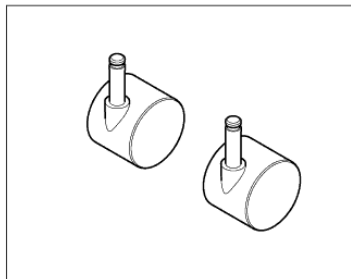
5



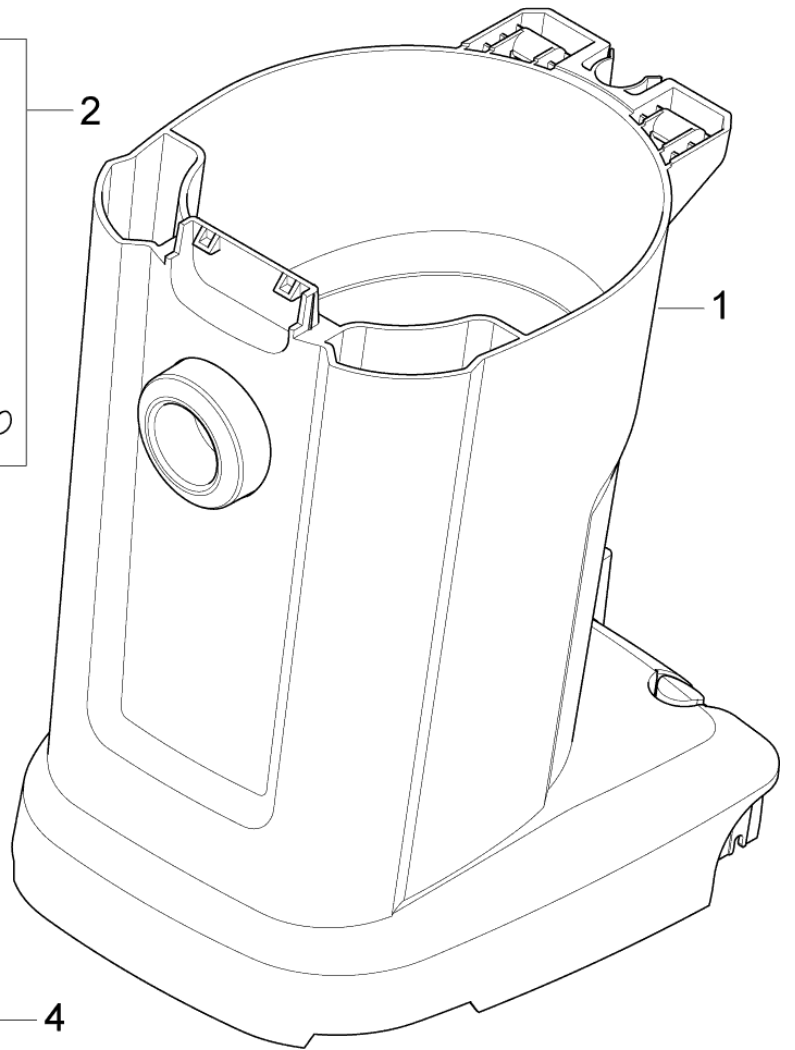
2



3



4



Container 35 BSF, BDF, EDF

MAXXI 35 ALTO

09-07-2014

Part List ID
MAXXIII08

6

Pos	Part no.	Qty	Description
1	107407257	1	CONTAINER WITH TROLLEY 35L MAXXI
2	140 8446 500	1	REAR WHEEL KIT
3	107407259	1	INLET ROUND MAXXI
4	140 6422 500	1	WHEELS LINK 50MM

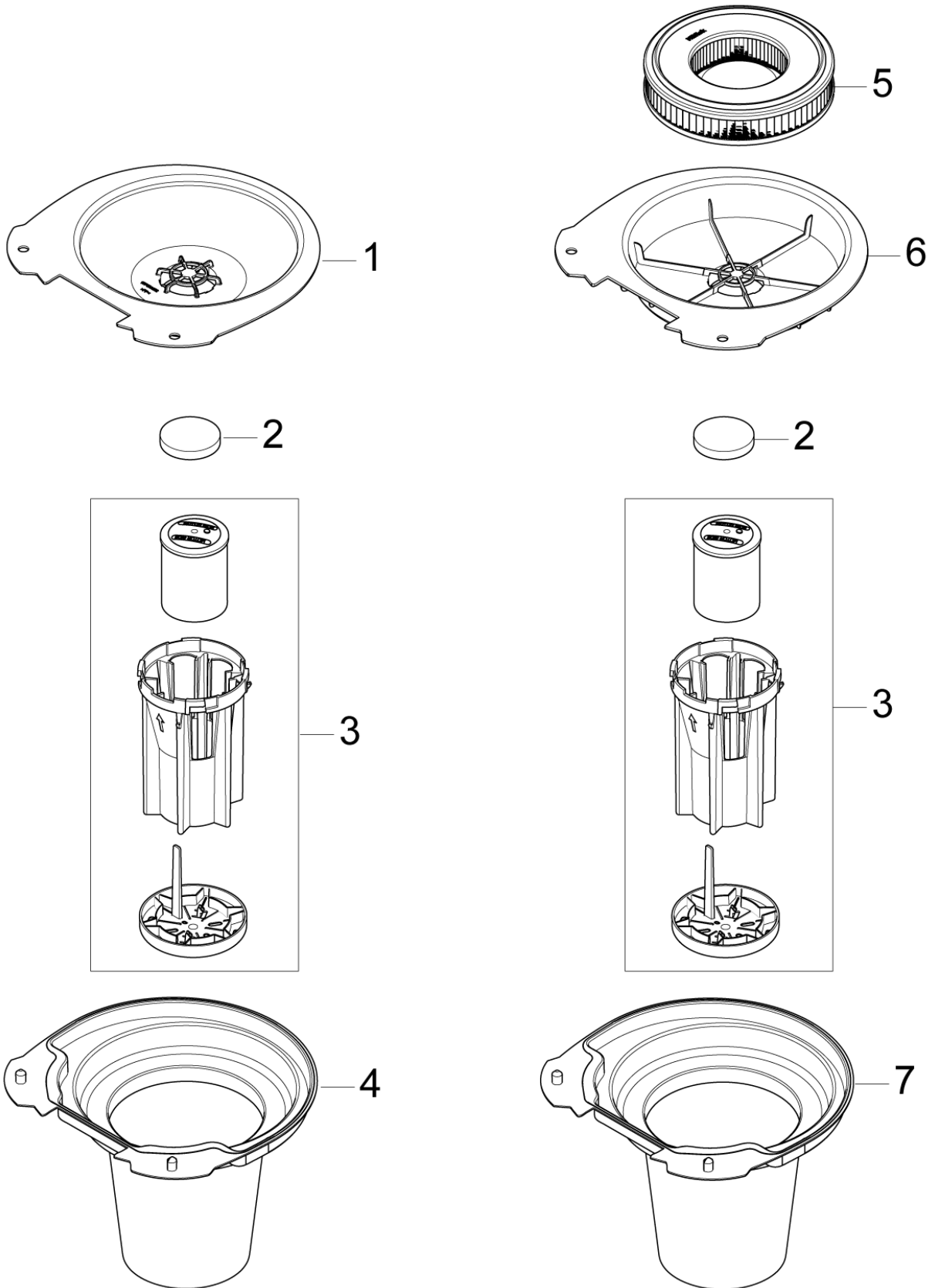
Filters and bags 35

MAXXI35 ALTO

09-07-2014

Part List ID
MAXXIII20

7



Filters and bags 35

MAXXI 35 ALTO

09-07-2014

Part List ID
MAXXIII20

8

Pos	Part no.	Qty	Description	
1	107407295	1	FLOATER ADAPTER 35L	BSF
2	140 8682 500	1	MOTOR FILTER	
3	140 8680 500	1	FLOAT BASKET	
4	107407296	1	SACK FILTER	BSF
5	107407297	1	CARTRIGE FILTER 35L	BDF, EDF
6	107407298	1	DRYFILTER BOX 35L	BSF, EDF
7	107407299	1	WET FILTER 35L	BSF, EDF

Accessories 35

MAXXI35 ALTO

09-07-2014

Part List ID VL5003512

9



Accessories 35

MAXXI 35 ALTO

09-07-2014

Part List ID
VL5003512

10

Pos	Part no.	Qty	Description
1	302004004	1	FLEECE FILTER BAG 5 PCS ATTIX 40/50
2	107407308	1	HOSE D32 1.9M CPL
3	107407310	1	FLOOR NOZZLE D32 RUBBER STRIP
3	107407311	1	FLOOR NOZZLE D32 BRUSH
4	107407309	2	EXTENSION TUBE D32 - SS
5	107407334	1	CREVICE NOZZLE D32
6	107407312	1	BRUSH NOZZLE D32
7	107408801	1	PUMP KIT - VL500 220/240V

Recommended Spare Parts

MAXXI35 ALTO

09-07-2014

Part List ID
MAXXI35220

11

No Drawing For Part List

Recommended Spare Parts

MAXXI 35 ALTO

09-07-2014

Part List ID
MAXXIII35Z20

12

Pos	Part no.	Qty	Description
	107404540	1	SWITCH 0-1 DOUBLE POLE SET
	107407236	1	CLAMP F. 75-55-35 L BIN MAXXI
	107407237	1	VACUUM VALVE CPL.
	107407259	1	INLET ROUND MAXXI
	107407295	1	FLOATER ADAPTER 35L
	107407296	1	SACK FILTER
	107407297	1	CARTRIGE FILTER 35L
	107407298	1	DRYFILTER BOX 35L
	107407299	1	WET FILTER 35L
	12222501	1	CORD SET EU L 10M
	140 6422 500	1	WHEELS LINK 50MM
	140 8446 500	1	REAR WHEEL KIT
	140 8680 500	1	FLOAT BASKET
	140 8682 500	1	MOTOR FILTER
	302003384	1	MOTOR KIT 1200W 230V
	302003388	1	MOTOR KIT 1000W 120V
	48338	1	ANTI-INTERFERENCE CAPACITOR